

# TPS563249 Step-Down Converter Evaluation Module User's Guide



## ABSTRACT

This user's guide contains information for the TPS563249 as well as support documentation for the TPS563249EVM-031 evaluation module. Included are the performance specifications, schematic, and the bill of materials (BOM) of the TPS563249EVM-031.

---

## Table of Contents

<b>1 Introduction</b> .....	2
<b>2 Performance Specification Summary</b> .....	3
<b>3 Modifications</b> .....	4
<b>4 Test Setup</b> .....	5
4.1 Input/Output Connections.....	5
4.2 Start-Up Procedure.....	5
<b>5 Board Layout</b> .....	6
<b>6 Schematic, Bill of Materials, and Reference</b> .....	8
6.1 Schematic.....	8
6.2 Bill of Materials.....	9
<b>7 Revision History</b> .....	10

## Trademarks

D-CAP3™ is a trademark of Texas Instruments.  
All trademarks are the property of their respective owners.

## 1 Introduction

The TPS563249 is a single, adaptive on-time, D-CAP3™ mode, synchronous buck converter requiring a very low external component count. The D-CAP3 control circuit is optimized for low-ESR output capacitors such as POSCAP, SP-CAP, or ceramic types and features fast transient response with no external compensation. The switching frequency is internally set at a nominal 1.4 MHz. The high-side and low-side switching MOSFETs are incorporated inside the TPS563249 package along with the gate-drive circuitry. The low drain-to-source on resistance of the MOSFETs allows the TPS563249 to achieve high efficiencies and helps keep the junction temperature low at high output currents. The TPS563249 dc/dc synchronous converter is designed to provide up to a 3-A output from an input voltage source of 4.5 V to 17 V. Rated input voltage and output current ranges for the evaluation module are given in [Table 1-1](#).

The TPS563249EVM-031 evaluation module (EVM) is a single, synchronous buck converter providing 3.3 V at 3 A from 4.5-V to 17-V input. This user's guide describes the TPS563249EVM-031 performance.

**Table 1-1. Input Voltage and Output Current Summary**

EVM	Input Voltage ( $V_{IN}$ ) Range	Output Current ( $I_{OUT}$ ) Range
TPS563249EVM-031	4.5 V to 17 V	0 A to 3 A

## 2 Performance Specification Summary

A summary of the TPS563249EVM-031 performance specifications is provided in [Table 2-1](#). Specifications are given for an input voltage of 12 V and an output voltage of 3.3 V, unless otherwise noted. The ambient temperature is 25°C for all measurement, unless otherwise noted.

**Table 2-1. TPS563249EVM-031 Performance Specifications Summary**

Specifications		Test Conditions	MIN	TYP	MAX	Unit
$V_{IN}$	Input voltage		4.5	12	17	V
	Output voltage			3.3		V
CH1	Operating frequency	$V_{IN} = 12\text{ V}, I_{OUT} = 3\text{ A}$		1.4		MHz
	Output current range		0		3	A

### 3 Modifications

These evaluation modules are designed to provide access to the features of the TPS563249. Some modifications can be made to this module.

To change the output voltage of the EVMs, it is necessary to change the value of resistor R1. Changing the value of R1 can change the output voltage above 0.60 V. The value of R1 for a specific output voltage can be calculated using [Equation 1](#).

$$V_{\text{OUT}} = 0.6 \times \left(1 + \frac{R1}{R2}\right) \quad (1)$$

[Table 3-1](#) lists the R1 values for some common output voltages. Note that the values given in [Table 3-1](#) are standard values and not the exact value calculated using [Table 3-1](#).

**Table 3-1. Recommended Component Values**

Output Voltage (V)	R1 (kΩ)	R2 (kΩ)	L1 (μH)			C5 + C6 (μF)
			MIN	TYP	MAX	
1	6.65	10.0	0.33	0.56	1	10 to 44
1.05	7.5	10.0	0.33	0.56	1	10 to 44
1.2	10	10.0	0.33	0.68	1.5	10 to 44
1.5	15	10.0	0.47	0.82	1.5	10 to 44
1.8	20	10.0	0.56	1	2.2	10 to 44
2.5	31.6	10.0	0.68	1	2.2	10 to 44
3.3	45.3	10.0	0.82	1.5	3.3	10 to 44
5	73.2	10.0	1	1.5	3.3	10 to 44
6.5	97.6	10.0	1	2.2	3.3	10 to 44

## 4 Test Setup

This section describes how to properly connect, set up, and use the TPS563249EVM-031.

### 4.1 Input/Output Connections

The TPS563249EVM-031 is provided with input/output connectors and test points as shown in [Table 4-1](#). A power supply capable of supplying 3 A must be connected to J1 through a pair of 20-AWG wires. The load must be connected to J2 through a pair of 20-AWG wires. The maximum load current capability is 3 A. Wire lengths must be minimized to reduce losses in the wires. Test point TP1 provides a place to monitor the  $V_{IN}$  input voltages with TP2 providing a convenient ground reference. TP6 is used to monitor the output voltage with TP7 as the ground reference.

**Table 4-1. Connection and Test Points**

Reference Designator	Function
J1	$V_{IN}$ (see <a href="#">Table 1-1</a> for $V_{IN}$ range)
J2	$V_{OUT}$ , 3.3 V at 3-A maximum
JP1	EN control. Shunt EN to GND to disable, shunt EN to $V_{IN}$ to enable.
TP1	$V_{IN}$ positive monitor point
TP2	GND monitor test point
TP3	EN test point
TP4	Switch node test point
TP5	Test point for loop response measurements
TP6	$V_{OUT}$ positive monitor point
TP7	GND monitor test point
TP8	GND monitor test point

### 4.2 Start-Up Procedure

Use the following steps during start-up:

1. Ensure that the jumper at JP1 (Enable control) pins 1 and 2 are covered to shunt EN to GND, disabling the output.
2. Apply appropriate input voltage to  $V_{IN}$  (J1-1) and GND (J1-2).
3. Move the jumper at JP1 (Enable control) from pins 1 and 2 (EN and GND), to pins 2 and 3 (EN and  $V_{IN}$ ) enabling the output.

## 5 Board Layout

This section provides a description of the TPS563249EVM-031, board layout, and layer illustrations.

The board layout for the TPS563249EVM-031 is shown in Figure 5-1, and Figure 5-2. The top layer contains the main power traces for  $V_{IN}$ ,  $V_{OUT}$ , and ground. Also on the top layer are connections for the pins of the TPS563249 and a large area filled with ground. Most of the signal traces are also located on the top side. The input decoupling capacitors, C1, C2, and C3 are located as close to the IC as possible. The input and output connectors, test points, and all of the components are located on the top side. The bottom layer is a ground plane along with the switching node copper fill, signal ground copper fill and the feed back trace from the point of regulation to the top of the resistor divider network.

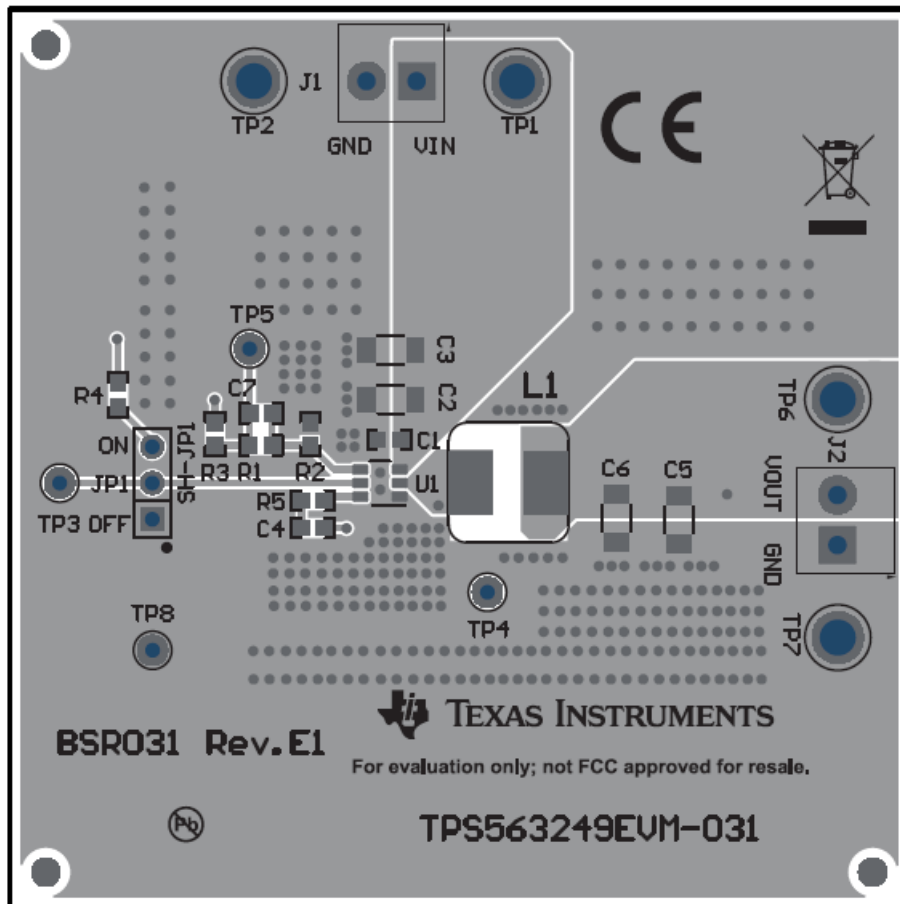
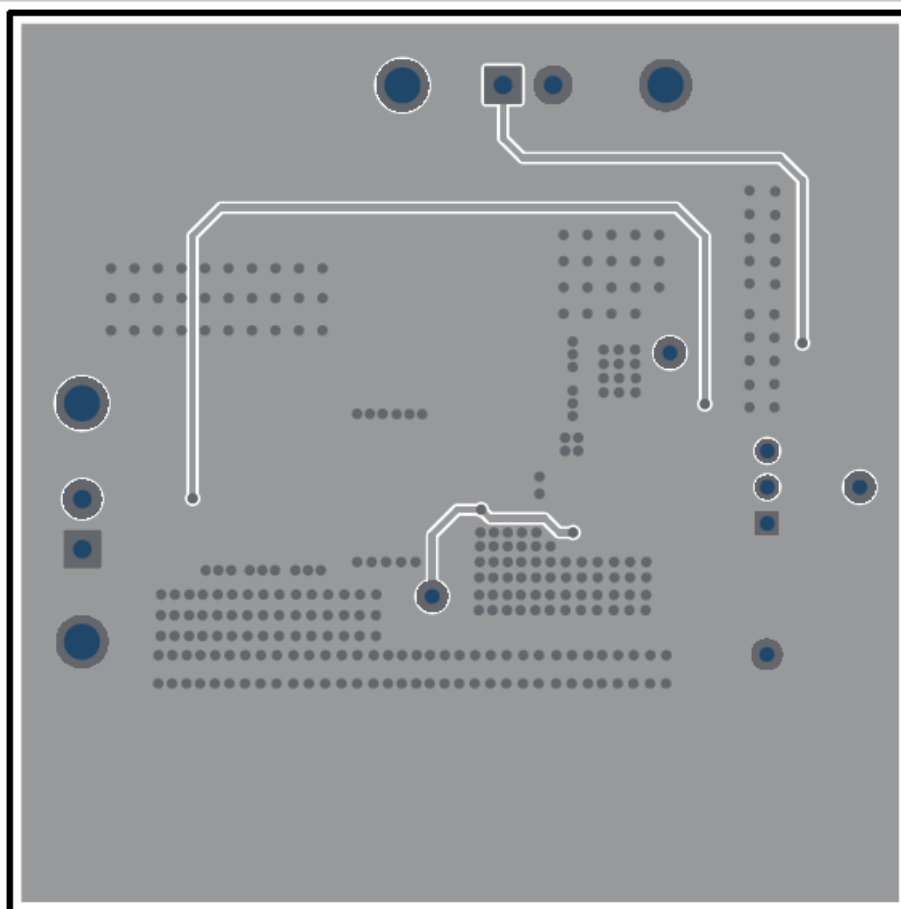


Figure 5-1. Top Layer

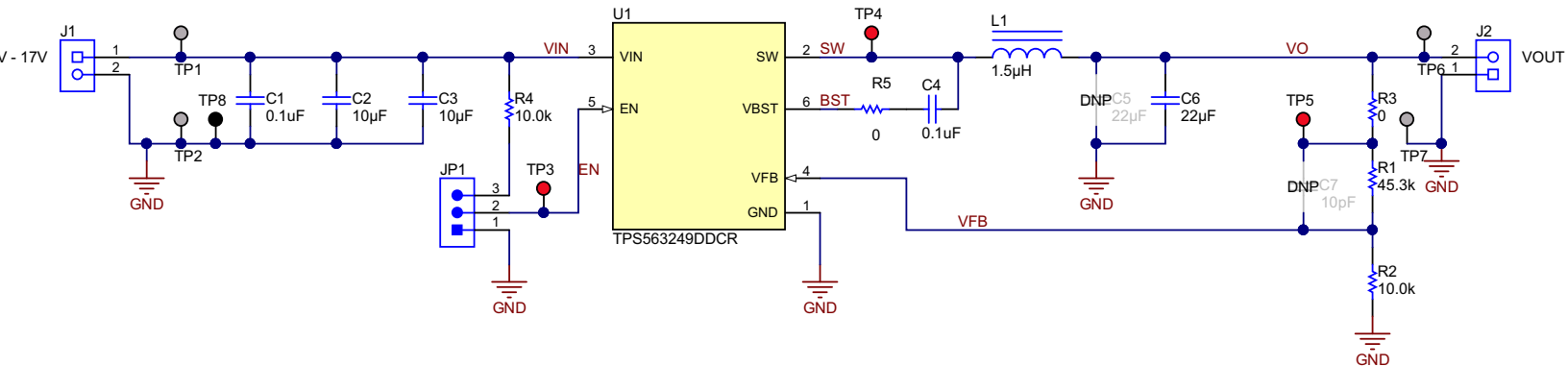


**Figure 5-2. Bottom Layer**

## 6 Schematic, Bill of Materials, and Reference

### 6.1 Schematic

Figure 6-1 is the schematic for the TPS563249EVM-031.



Copyright © 2018, Texas Instruments Incorporated

Figure 6-1. TPS563249EVM-031 Schematic Diagram



## 6.2 Bill of Materials

Table 6-1 displays the TPS563249EVM-031 BOM.

**Table 6-1. Bill of Materials<sup>(1)</sup>**

Designator	Qty	Value	Description	Package Reference	Part Number	Manufacturer	Alternate Part Number	Alternate Manufacturer
!PCB1	1		Printed Circuit Board		BSR031	Any	-	-
C1, C4	2	0.1uF	CAP, CERM, 0.1uF, 25V, ±10%, X5R, 0603	0603	GRM188R61E104KA01D	Murata		
C2, C3	2	10uF	CAP, CERM, 10 µF, 25 V,± 10%, X5R, 1206	1206	GRM31CR61E106KA12L	Murata		
C6	1	22uF	CAP, CERM, 22 µF, 10 V,± 10%, X7R, 1206	1206	GRM31CR71A226KE15L	Murata		
J1, J2	2		Terminal Block, 3.5mm Pitch, 2x1, TH	7.0x8.2x6.5mm	ED555/2DS	On-Shore Technology		
JP1	1		Header, 100mil, 3x1, Tin, TH	Header, 3 PIN, 100mil, Tin	PEC03SAAN	Sullins Connector Solutions		
L1	1	1.5uH	Inductor, Shielded Drum Core, Superflux, 1.5 µH, 11 A, 0.0078 ohm, SMD	WE-HC4	744311150	Würth Elektronik		
R1	1	45.3k	RES, 45.3 k ohm, 1%, 0.1W, 0603	0603	CRCW060345K3FKEA	Vishay-Dale		
R2, R4	2	10.0k	RES, 10.0k ohm, 1%, 0.1W, 0603	0603	CRCW060310K0FKEA	Vishay-Dale		
R3, R5	2	0	RES, 0 ohm, 5%, 0.1W, 0603	0603	ERJ-3GEY0R00V	Panasonic		
SH-JP1	1	1x2	Shunt, 100mil, Gold plated, Black	Shunt	969102-0000-DA	3M	SNT-100-BK-G	Samtec
TP1, TP2, TP6, TP7	4		Terminal, Turret, TH, Double	Keystone1502-2	1502-2	Keystone		
TP3, TP4, TP5	3		Test Point, Miniature, Red, TH	Red Miniature Testpoint	5000	Keystone		
TP8	1		Test Point, Miniature, Black, TH	Black Miniature Testpoint	5001	Keystone		
U1	1		17 V, 3 A, 1.4 MHz Synchronous Step-Down Voltage Regulator, DDC0006A (SOT-23-T-6)		TPS563249DDCR	Texas Instruments	TPS563249DDCT	Texas Instruments
C5	0	22uF	CAP, CERM, 22 µF, 10 V,± 10%, X7R, 1206	1206	GRM31CR71A226KE15L	Murata		
C7	0	10pF	CAP, CERM, 10 pF, 100 V, ± 5%, C0G/NP0, 0603	0603	GRM1885C2A100JA01D	Murata		
FID1, FID2, FID3	0		Fiducial mark. There is nothing to buy or mount.	Fiducial	N/A	N/A		

(1) Unless otherwise noted in the *Alternate Part Number* or *Alternate Manufacturer* columns, all parts may be substituted with equivalents.

## 7 Revision History

NOTE: Page numbers for previous revisions may differ from page numbers in the current version.

<b>Changes from Revision * (January 2018) to Revision A (July 2021)</b>	<b>Page</b>
• Updated the numbering format for tables, figures, and cross-references throughout the document. ....	<a href="#">2</a>
• Updated user's guide title.....	<a href="#">2</a>

---

## IMPORTANT NOTICE AND DISCLAIMER

TI PROVIDES TECHNICAL AND RELIABILITY DATA (INCLUDING DATA SHEETS), DESIGN RESOURCES (INCLUDING REFERENCE DESIGNS), APPLICATION OR OTHER DESIGN ADVICE, WEB TOOLS, SAFETY INFORMATION, AND OTHER RESOURCES "AS IS" AND WITH ALL FAULTS, AND DISCLAIMS ALL WARRANTIES, EXPRESS AND IMPLIED, INCLUDING WITHOUT LIMITATION ANY IMPLIED WARRANTIES OF MERCHANTABILITY, FITNESS FOR A PARTICULAR PURPOSE OR NON-INFRINGEMENT OF THIRD PARTY INTELLECTUAL PROPERTY RIGHTS.

These resources are intended for skilled developers designing with TI products. You are solely responsible for (1) selecting the appropriate TI products for your application, (2) designing, validating and testing your application, and (3) ensuring your application meets applicable standards, and any other safety, security, regulatory or other requirements.

These resources are subject to change without notice. TI grants you permission to use these resources only for development of an application that uses the TI products described in the resource. Other reproduction and display of these resources is prohibited. No license is granted to any other TI intellectual property right or to any third party intellectual property right. TI disclaims responsibility for, and you will fully indemnify TI and its representatives against, any claims, damages, costs, losses, and liabilities arising out of your use of these resources.

TI's products are provided subject to [TI's Terms of Sale](#) or other applicable terms available either on [ti.com](http://ti.com) or provided in conjunction with such TI products. TI's provision of these resources does not expand or otherwise alter TI's applicable warranties or warranty disclaimers for TI products.

TI objects to and rejects any additional or different terms you may have proposed.

Mailing Address: Texas Instruments, Post Office Box 655303, Dallas, Texas 75265  
Copyright © 2022, Texas Instruments Incorporated