

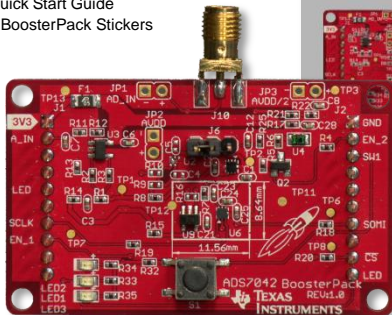
# Getting Started Guide: BOOST-ADS7042



The ADS7042 Ultra-Low Power Data Acquisition BoosterPack is ideal for evaluating and starting development with the ADS7042 precision analog to digital converter (ADC). The ADS7042 BoosterPack is compatible with the TI LaunchPad™ ecosystem. Demonstration software for the BoosterPack is available for the MSP430FR4133 microcontroller LaunchPad. The BoosterPack can also be used with other host processors via the SPI interface pins on the top of the board.

## BOOST-ADS7042 Features:

- 8-pin QFN 1.5mm x 1.5mm ADS7042 12-bit, 1MSPS ADC
- OPA316 precision ADC driver
- REF3330 precision voltage reference
- LaunchPad-compatible header pins
- SMA jack for external analog input
- On-board ambient light sensor
- Quick Start Guide
- 2 BoosterPack Stickers



**IMPORTANT:** The BOOST-ADS7042 demonstration software is compatible with the MSP430FR4133 MCU LaunchPad. The LaunchPad may be ordered from <http://www.ti.com/tool/msp-exp430fr4133>

More information about the BoosterPack can be found at <http://www.ti.com/ADS7042BoosterPack>

# Getting Started Guide:

## BOOST-ADS7042

1

Place the ADS7042 BoosterPack on the MSP430 LaunchPad



**IMPORTANT:** Make sure that the jumpers on the MSP430 LaunchPad are set as shown in the picture.



MSP430 LaunchPad



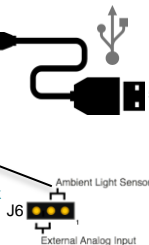
ADS7042 BoosterPack

2

Connect a micro USB cable to the LaunchPad and a PC



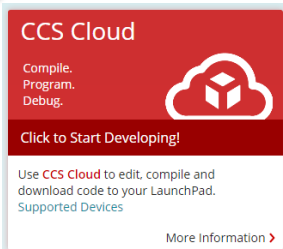
MSP430 LaunchPad & ADS7042 BoosterPack



**IMPORTANT:** Jumper J6 on the BoosterPack will change the ADS7042 ADC input between the on-board ambient light sensor and the external analog input SMA connector.

## 3

## Download the ADS7042 BoosterPack software &amp; load it into CCS Cloud



- A) Go to the ADS7042 BoosterPack webpage and download the .ino file from the software section: <http://www.ti.com/ADS7042BoosterPack>
- B) Save this file to the PC.
- C) Go to dev.ti.com using either Chrome or Firefox browsers.
- D) Click on the CCS Cloud Logo to launch Code Composer Studio Cloud.
- E) Go to File>Import Energia Sketch file and select the file you downloaded and saved.

**NOTE:** A myTI account is required to use CCS Cloud

## 4

## Run the software



Load and run the Energia Sketch demo software by clicking on the green 'Run' button.

- The LCD on the MSP430 LaunchPad will display an introduction message followed by the measured power consumption of the ADC and voltage reference on the BoosterPack.
- The ADC sampling rate can be changed by pressing Switch S1 and S2 on the Launchpad.
- Switch S1 on the BoosterPack changes the display from power consumption to raw hex conversion data. This data is also transmitted to the PC on the USB cable via a virtual COM port.

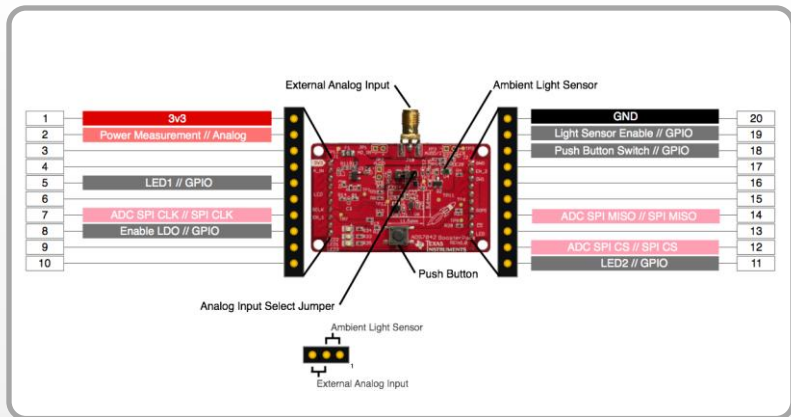
**NOTE:** JP1 on the LaunchPad may have to be removed to enable this feature.



TI E2E  
Community

Technical support for TI Precision ADCs can be found at <http://www.ti.com/precisionadcsupport>

# BOOST-ADS7042 BoosterPack



More information about Precision Analog SAR ADCs can be found at <http://www.ti.com/precisionadc>

The platform bar and LaunchPad are trademarks of Texas Instruments. All other trademarks are the property of their respective owners. © 2016 Texas Instruments Incorporated.

SLYU030

## IMPORTANT NOTICE

Texas Instruments Incorporated and its subsidiaries (TI) reserve the right to make corrections, enhancements, improvements and other changes to its semiconductor products and services per JESD46, latest issue, and to discontinue any product or service per JESD48, latest issue. Buyers should obtain the latest relevant information before placing orders and should verify that such information is current and complete. All semiconductor products (also referred to herein as "components") are sold subject to TI's terms and conditions of sale supplied at the time of order acknowledgment.

TI warrants performance of its components to the specifications applicable at the time of sale, in accordance with the warranty in TI's terms and conditions of sale of semiconductor products. Testing and other quality control techniques are used to the extent TI deems necessary to support this warranty. Except where mandated by applicable law, testing of all parameters of each component is not necessarily performed.

TI assumes no liability for applications assistance or the design of Buyers' products. Buyers are responsible for their products and applications using TI components. To minimize the risks associated with Buyers' products and applications, Buyers should provide adequate design and operating safeguards.

TI does not warrant or represent that any license, either express or implied, is granted under any patent right, copyright, mask work right, or other intellectual property right relating to any combination, machine, or process in which TI components or services are used. Information published by TI regarding third-party products or services does not constitute a license to use such products or services or a warranty or endorsement thereof. Use of such information may require a license from a third party under the patents or other intellectual property of the third party, or a license from TI under the patents or other intellectual property of TI.

Reproduction of significant portions of TI information in TI data books or data sheets is permissible only if reproduction is without alteration and is accompanied by all associated warranties, conditions, limitations, and notices. TI is not responsible or liable for such altered documentation. Information of third parties may be subject to additional restrictions.

Resale of TI components or services with statements different from or beyond the parameters stated by TI for that component or service voids all express and any implied warranties for the associated TI component or service and is an unfair and deceptive business practice. TI is not responsible or liable for any such statements.

Buyer acknowledges and agrees that it is solely responsible for compliance with all legal, regulatory and safety-related requirements concerning its products, and any use of TI components in its applications, notwithstanding any applications-related information or support that may be provided by TI. Buyer represents and agrees that it has all the necessary expertise to create and implement safeguards which anticipate dangerous consequences of failures, monitor failures and their consequences, lessen the likelihood of failures that might cause harm and take appropriate remedial actions. Buyer will fully indemnify TI and its representatives against any damages arising out of the use of any TI components in safety-critical applications.

In some cases, TI components may be promoted specifically to facilitate safety-related applications. With such components, TI's goal is to help enable customers to design and create their own end-product solutions that meet applicable functional safety standards and requirements. Nonetheless, such components are subject to these terms.

No TI components are authorized for use in FDA Class III (or similar life-critical medical equipment) unless authorized officers of the parties have executed a special agreement specifically governing such use.

Only those TI components which TI has specifically designated as military grade or "enhanced plastic" are designed and intended for use in military/aerospace applications or environments. Buyer acknowledges and agrees that any military or aerospace use of TI components which have **not** been so designated is solely at the Buyer's risk, and that Buyer is solely responsible for compliance with all legal and regulatory requirements in connection with such use.

TI has specifically designated certain components as meeting ISO/TS16949 requirements, mainly for automotive use. In any case of use of non-designated products, TI will not be responsible for any failure to meet ISO/TS16949.

### Products

Audio	<a href="http://www.ti.com/audio">www.ti.com/audio</a>
Amplifiers	<a href="http://amplifier.ti.com">amplifier.ti.com</a>
Data Converters	<a href="http://dataconverter.ti.com">dataconverter.ti.com</a>
DLP® Products	<a href="http://www.dlp.com">www.dlp.com</a>
DSP	<a href="http://dsp.ti.com">dsp.ti.com</a>
Clocks and Timers	<a href="http://www.ti.com/clocks">www.ti.com/clocks</a>
Interface	<a href="http://interface.ti.com">interface.ti.com</a>
Logic	<a href="http://logic.ti.com">logic.ti.com</a>
Power Mgmt	<a href="http://power.ti.com">power.ti.com</a>
Microcontrollers	<a href="http://microcontroller.ti.com">microcontroller.ti.com</a>
RFID	<a href="http://www.ti-rfid.com">www.ti-rfid.com</a>
OMAP Applications Processors	<a href="http://www.ti.com/omap">www.ti.com/omap</a>
Wireless Connectivity	<a href="http://www.ti.com/wirelessconnectivity">www.ti.com/wirelessconnectivity</a>

### Applications

Automotive and Transportation	<a href="http://www.ti.com/automotive">www.ti.com/automotive</a>
Communications and Telecom	<a href="http://www.ti.com/communications">www.ti.com/communications</a>
Computers and Peripherals	<a href="http://www.ti.com/computers">www.ti.com/computers</a>
Consumer Electronics	<a href="http://www.ti.com/consumer-apps">www.ti.com/consumer-apps</a>
Energy and Lighting	<a href="http://www.ti.com/energy">www.ti.com/energy</a>
Industrial	<a href="http://www.ti.com/industrial">www.ti.com/industrial</a>
Medical	<a href="http://www.ti.com/medical">www.ti.com/medical</a>
Security	<a href="http://www.ti.com/security">www.ti.com/security</a>
Space, Avionics and Defense	<a href="http://www.ti.com/space-avionics-defense">www.ti.com/space-avionics-defense</a>
Video and Imaging	<a href="http://www.ti.com/video">www.ti.com/video</a>

### TI E2E Community

[e2e.ti.com](http://e2e.ti.com)