

# Application Note

## CDC6Cx OPN Decoder

---



### ABSTRACT

The CDC6Cx orderable part numbers (OPNs) from Texas Instruments contain information about the frequency and package of the device. This application note provides a quick summary of how to decode this information as well as provides a list of CDC6Cx orderable part numbers (OPNs) with associated configurations, packaging information, and device top marking.

---

### Table of Contents

1 Introduction.....	2
2 How to Decode OPN Information.....	2
3 CDC6C OPN Information.....	3
4 Summary.....	5
5 References.....	5

### Trademarks

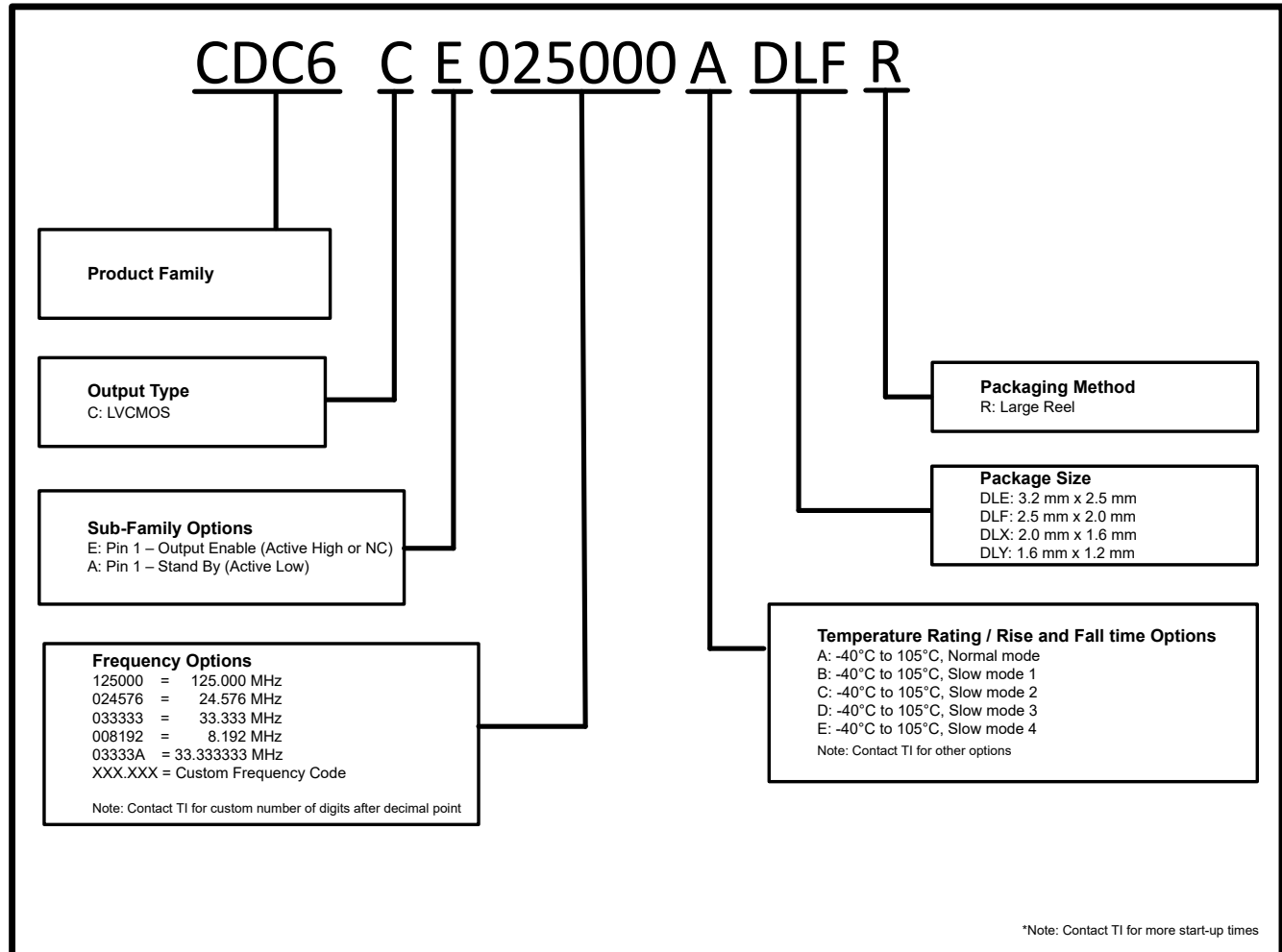
All trademarks are the property of their respective owners.

## 1 Introduction

CDC6Cx orderable part number naming is descriptive and contains both feature and package information. This application note provides guidance on how this information is decoded. [Table 3-1](#) lists the OPNs of CDC6Cx variants. Use [Section 2](#) as a reference for how to decode this OPN information and refer to [Section 3](#) for decoded information from the CDC6Cx OPNs. Contact TI to learn more about a possible variant that is not listed in this application note.

## 2 How to Decode OPN Information

[Figure 2-1](#) demonstrates the information encoded in the CDC6Cx orderable part numbers.



**Figure 2-1. CDC6Cx Part Number Guide**

**Table 2-1. CDC6Cx Nomenclature Structure**

Digit Position	Number of Digits	Digit Meaning
1-4	4	Product Family
5	1	Output Type
6	1	Sub-Family Options
7-12	6	Output Frequency
13	1	Temperature Rating / Rise and Fall Time Options
14-16	3	Package Size

### 3 CDC6C OPN Information

**Table 3-1. CDC6C OPN Information**

Device	Pin 1 Functionality	Output Frequency (Hz)	Rise and Fall Time Option	Package Size	Device Top Marking
CDC6CE005120ADLYR	Output Enable	5120000	Normal Mode	DLY	UA
CDC6CE005120ADLXR	Output Enable	5120000	Normal Mode	DLX	UA
CDC6CE005120ADLFR	Output Enable	5120000	Normal Mode	DLF	UA
CDC6CE005120ADLER	Output Enable	5120000	Normal Mode	DLE	UA
CDC6CE008000ADLYR	Output Enable	8000000	Normal Mode	DLY	TA
CDC6CE008000ADLXR	Output Enable	8000000	Normal Mode	DLX	TA
CDC6CE008000ADLFR	Output Enable	8000000	Normal Mode	DLF	TA
CDC6CE008000ADLER	Output Enable	8000000	Normal Mode	DLE	TA
CDC6CE008192ADLYR	Output Enable	8192000	Normal Mode	DLY	MA
CDC6CE008192ADLXR	Output Enable	8192000	Normal Mode	DLX	MA
CDC6CE008192ADLFR	Output Enable	8192000	Normal Mode	DLF	MA
CDC6CE008192ADLER	Output Enable	8192000	Normal Mode	DLE	MA
CDC6CE010000ADLYR	Output Enable	10000000	Normal Mode	DLY	VA
CDC6CE010000ADLXR	Output Enable	10000000	Normal Mode	DLX	VA
CDC6CE010000ADLFR	Output Enable	10000000	Normal Mode	DLF	VA
CDC6CE010000ADLER	Output Enable	10000000	Normal Mode	DLE	VA
CDC6CE012288ADLYR	Output Enable	12288000	Normal Mode	DLY	FA
CDC6CE012288ADLXR	Output Enable	12288000	Normal Mode	DLX	FA
CDC6CE012288ADLFR	Output Enable	12288000	Normal Mode	DLF	FA
CDC6CE012288ADLER	Output Enable	12288000	Normal Mode	DLE	FA
CDC6CE01311AADLYR	Output Enable	13107200	Normal Mode	DLY	RA
CDC6CE01311AADLXR	Output Enable	13107200	Normal Mode	DLX	RA
CDC6CE01311AADLFR	Output Enable	13107200	Normal Mode	DLF	RA
CDC6CE01311AADLER	Output Enable	13107200	Normal Mode	DLE	RA
CDC6CE016000ADLYR	Output Enable	16000000	Normal Mode	DLY	BA
CDC6CE016000ADLXR	Output Enable	16000000	Normal Mode	DLX	BA
CDC6CE016000ADLFR	Output Enable	16000000	Normal Mode	DLF	BA
CDC6CE016000ADLER	Output Enable	16000000	Normal Mode	DLE	BA
CDC6CE019200ADLYR	Output Enable	19200000	Normal Mode	DLY	IA
CDC6CE019200ADLXR	Output Enable	19200000	Normal Mode	DLX	IA
CDC6CE019200ADLFR	Output Enable	19200000	Normal Mode	DLF	IA
CDC6CE019200ADLER	Output Enable	19200000	Normal Mode	DLE	IA
CDC6CE020000ADLYR	Output Enable	20000000	Normal Mode	DLY	EA
CDC6CE020000ADLXR	Output Enable	20000000	Normal Mode	DLX	EA
CDC6CE020000ADLFR	Output Enable	20000000	Normal Mode	DLF	EA
CDC6CE020000ADLER	Output Enable	20000000	Normal Mode	DLE	EA
CDC6CE024000ADLYR	Output Enable	24000000	Normal Mode	DLY	DA
CDC6CE024000ADLXR	Output Enable	24000000	Normal Mode	DLX	DA
CDC6CE024000ADLFR	Output Enable	24000000	Normal Mode	DLF	DA
CDC6CE024000ADLER	Output Enable	24000000	Normal Mode	DLE	DA
CDC6CE025000ADLYR	Output Enable	25000000	Normal Mode	DLY	AA
CDC6CE025000ADLXR	Output Enable	25000000	Normal Mode	DLX	AA
CDC6CE025000ADLFR	Output Enable	25000000	Normal Mode	DLF	AA
CDC6CE025000ADLER	Output Enable	25000000	Normal Mode	DLE	AA
CDC6CE02621AADLYR	Output Enable	26214400	Normal Mode	DLY	QA

**Table 3-1. CDC6C OPN Information (continued)**

Device	Pin 1 Functionality	Output Frequency (Hz)	Rise and Fall Time Option	Package Size	Device Top Marking
CDC6CE02621AADLXR	Output Enable	26214400	Normal Mode	DLX	QA
CDC6CE02621AADLFR	Output Enable	26214400	Normal Mode	DLF	QA
CDC6CE02621AADLER	Output Enable	26214400	Normal Mode	DLE	QA
CDC6CE027000ADLYR	Output Enable	27000000	Normal Mode	DLY	JA
CDC6CE027000ADLXR	Output Enable	27000000	Normal Mode	DLX	JA
CDC6CE027000ADLFR	Output Enable	27000000	Normal Mode	DLF	JA
CDC6CE027000ADLER	Output Enable	27000000	Normal Mode	DLE	JA
CDC6CE033333ADLYR	Output Enable	33333000	Normal Mode	DLY	HA
CDC6CE033333ADLXR	Output Enable	33333000	Normal Mode	DLX	HA
CDC6CE033333ADLFR	Output Enable	33333000	Normal Mode	DLF	HA
CDC6CE033333ADLER	Output Enable	33333000	Normal Mode	DLE	HA
CDC6CE040000ADLYR	Output Enable	40000000	Normal Mode	DLY	GA
CDC6CE040000ADLXR	Output Enable	40000000	Normal Mode	DLX	GA
CDC6CE040000ADLFR	Output Enable	40000000	Normal Mode	DLF	GA
CDC6CE040000ADLER	Output Enable	40000000	Normal Mode	DLE	GA
CDC6CE048000ADLYR	Output Enable	48000000	Normal Mode	DLY	KA
CDC6CE048000ADLXR	Output Enable	48000000	Normal Mode	DLX	KA
CDC6CE048000ADLFR	Output Enable	48000000	Normal Mode	DLF	KA
CDC6CE048000ADLER	Output Enable	48000000	Normal Mode	DLE	KA
CDC6CE050000ADLYR	Output Enable	50000000	Normal Mode	DLY	CA
CDC6CE050000ADLXR	Output Enable	50000000	Normal Mode	DLX	CA
CDC6CE050000ADLFR	Output Enable	50000000	Normal Mode	DLF	CA
CDC6CE050000ADLER	Output Enable	50000000	Normal Mode	DLE	CA
CDC6CE066660ADLYR	Output Enable	66660000	Normal Mode	DLY	WA
CDC6CE066660ADLXR	Output Enable	66660000	Normal Mode	DLX	WA
CDC6CE066660ADLFR	Output Enable	66660000	Normal Mode	DLF	WA
CDC6CE066660ADLER	Output Enable	66660000	Normal Mode	DLE	WA
CDC6CE074250ADLYR	Output Enable	74250000	Normal Mode	DLY	SA
CDC6CE074250ADLXR	Output Enable	74250000	Normal Mode	DLX	SA
CDC6CE074250ADLFR	Output Enable	74250000	Normal Mode	DLF	SA
CDC6CE074250ADLER	Output Enable	74250000	Normal Mode	DLE	SA
CDC6CE100000ADLYR	Output Enable	100000000	Normal Mode	DLY	LA
CDC6CE100000ADLXR	Output Enable	100000000	Normal Mode	DLX	LA
CDC6CE100000ADLFR	Output Enable	100000000	Normal Mode	DLF	LA
CDC6CE100000ADLER	Output Enable	100000000	Normal Mode	DLE	LA
CDC6CE125000ADLYR	Output Enable	125000000	Normal Mode	DLY	OA
CDC6CE125000ADLXR	Output Enable	125000000	Normal Mode	DLX	OA
CDC6CE125000ADLFR	Output Enable	125000000	Normal Mode	DLF	OA
CDC6CE125000ADLER	Output Enable	125000000	Normal Mode	DLE	OA
CDC6CE156250ADLYR	Output Enable	156250000	Normal Mode	DLY	NA
CDC6CE156250ADLXR	Output Enable	156250000	Normal Mode	DLX	NA
CDC6CE156250ADLFR	Output Enable	156250000	Normal Mode	DLF	NA
CDC6CE156250ADLER	Output Enable	156250000	Normal Mode	DLE	NA

## 4 Summary

This application note provides a summary of how to decode information from the CDC6Cx family orderable part numbers. This document also includes a list of the current OPNs in the CDC6Cx family. Refer to this document for detailed decoded information or for general guidance on decoding CDC6Cx parts.

## 5 References

- Texas Instruments, [CDC6Cx Low Power LVCMOS output BAW Oscillator](#), data sheet

## IMPORTANT NOTICE AND DISCLAIMER

TI PROVIDES TECHNICAL AND RELIABILITY DATA (INCLUDING DATA SHEETS), DESIGN RESOURCES (INCLUDING REFERENCE DESIGNS), APPLICATION OR OTHER DESIGN ADVICE, WEB TOOLS, SAFETY INFORMATION, AND OTHER RESOURCES "AS IS" AND WITH ALL FAULTS, AND DISCLAIMS ALL WARRANTIES, EXPRESS AND IMPLIED, INCLUDING WITHOUT LIMITATION ANY IMPLIED WARRANTIES OF MERCHANTABILITY, FITNESS FOR A PARTICULAR PURPOSE OR NON-INFRINGEMENT OF THIRD PARTY INTELLECTUAL PROPERTY RIGHTS.

These resources are intended for skilled developers designing with TI products. You are solely responsible for (1) selecting the appropriate TI products for your application, (2) designing, validating and testing your application, and (3) ensuring your application meets applicable standards, and any other safety, security, regulatory or other requirements.

These resources are subject to change without notice. TI grants you permission to use these resources only for development of an application that uses the TI products described in the resource. Other reproduction and display of these resources is prohibited. No license is granted to any other TI intellectual property right or to any third party intellectual property right. TI disclaims responsibility for, and you will fully indemnify TI and its representatives against, any claims, damages, costs, losses, and liabilities arising out of your use of these resources.

TI's products are provided subject to [TI's Terms of Sale](#) or other applicable terms available either on [ti.com](https://www.ti.com) or provided in conjunction with such TI products. TI's provision of these resources does not expand or otherwise alter TI's applicable warranties or warranty disclaimers for TI products.

TI objects to and rejects any additional or different terms you may have proposed.

Mailing Address: Texas Instruments, Post Office Box 655303, Dallas, Texas 75265  
Copyright © 2024, Texas Instruments Incorporated