

CLC001,CLC012,CLC016

3.3V Cable Driver And Equalizer Drive Mega-Bits @ Many Meters



Literature Number: SNLA151

Application Brief

3.3V Cable Driver And Equalizer Drive Mega-Bits @ Many Meters

Application Brief 105

Gary Melchior

Transmitting data over long distances is necessary in a wide range of applications. These include telecom and video electrical interfaces running at data rates of up to 400 Mbps over appreciable distances. Long-haul data transmission is easily accomplished with existing devices. The new CLC001 cable driver, CLC012 cable equalizer, and CLC016 data retiming PLL form a robust serial digital interface that transmits megabits of data over hundreds of meters. *Figure 1* shows a typical SDI application.

The 3.3V Cable Driver

The CLC001 is a 3.3V cable driver ideal for high-speed data transmission over long distances. It drives 75Ω transmission lines (Belden 8281 or equivalent) at data rates up to 622 Mbps. Its versatile input stage allows for a wide range of input levels, including direct LVDS and LVPECL connections. Rise and fall times are typically 400 ps. Its two complementary outputs may be used single-ended or differentially and are adjustable from 800 mV_{p-p} to 1.0 V_{p-p}.

The Cable Equalizer is the most important element in serial digital interfaces.

The cable equalizer has the task of recovering the signal from a seemingly worthless waveform [See *Figure 2(b)*] and restoring it to its proper voltage levels. The CLC012 adaptive cable equalizer does just that. It automatically compensates for attenuation in cable corresponding to up to 300 meters of Belden 8281 coaxial cable or 120 meters of Category 5 UTP. The CLC012 approximates the reciprocal of the cable loss characteristic and supplies 40 dB of gain at 200 MHz. Jitter performance is 180 ps_{p-p} for 270 Mbps data that has passed through 200 meters of Belden 8281 cable. A Loss of Signal output and an output mute function are also provided.

The Data Retimer cleans up jitter.

The CLC016 data retimer re-establishes proper bit widths and their correct relationship to the serial clock edges, in addition to extracting a clock from the signal. Auto-rate select circuitry allows the CLC016 to recognize up to four data rates between 40 and 400 Mbps and

Advertisement

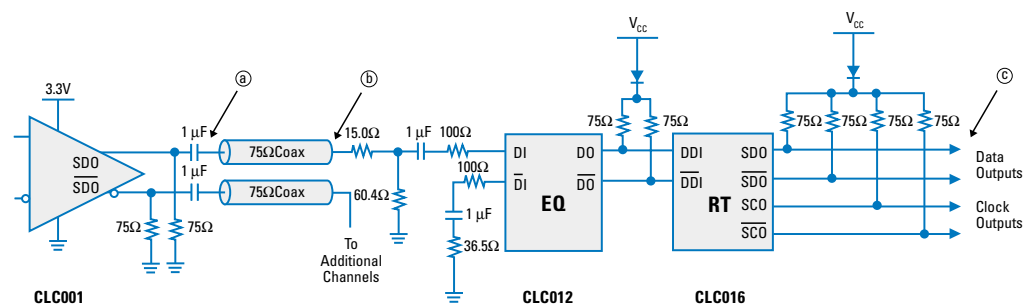
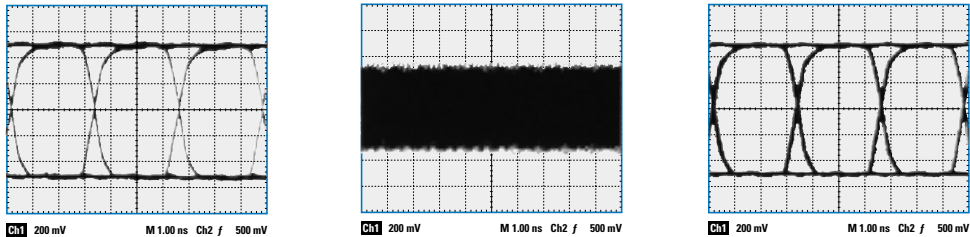


Figure 1. Typical SDI Long-haul Application

*Note: (a), (b), and (c) represent the location of eye diagrams in *Figure 2*. This simplified schematic shows only the major signal path. For more detailed schematics, please refer to the datasheets online at www.national.com/appinfo/interface



(a) Driver Output

(b) Equalizer Input

(c) Retimer Output

Figure 2. Eye Diagrams at (a) Driver Output, (b) Equalizer Input, and (c) Retimer Output

automatically adjust to provide accurate, low-jitter clock and data recovery. Output jitter is only 130 ps_{p-p} at 270 Mbps.

The circuit in *Figure 1* was tested at a data rate of 311 Mbps. The signal source is a PRBS pattern generated by a Tektronix GigaBERT 700. The CLC001 drives 250 meters of Belden 8281 cable with a 1.0 V_{p-p} output level. The signal at the CLC001 output is shown in *Figure 2(a)*. After passing through the cable, signal amplitude has fallen to about 700 mV and the signal appears to be worthless [*Figure 2(b)*].

A usable signal can be recovered by the CLC012 after up to 300 meters of cable. The signal is recovered and the data is retimed by the CLC012 and CLC016, respectively. The resultant signal is buffered by another CLC001 to drive the line to the scope and is shown in *Figure 2(c)*.

As can be seen from these waveforms, the CLC012 and CLC016 are very effective at restoring data after hundreds of meters of cable. SDI Interface devices can be used for a wide variety of digital video, datacom, and telecom applications.

Serial Digital Interface Selection Guide

Part Number	Description	Data Rate	Jitter (ps)
CLC001	3.3V Cable Driver with Adjustable Outputs	DC to 622 Mbps	25
CLC005	ITU Cable Driver with Adjustable Outputs	DC to 400 Mbps	25
CLC006	Cable Driver with Adjustable Outputs	DC to 400 Mbps	25
CLC007	Cable Driver with Dual Complementary Outputs	DC to 400 Mbps	25
CLC012	Adaptive Cable Equalizer (ITU)	40 to 650 Mbps	180
CLC014	Adaptive Cable Equalizer (SDV)	40 to 650 Mbps	180
CLC016	Data Retiming PLL with Auto Rate Selection	40 to 400 Mbps	130
CLC018	8X8 Digital Crosspoint Switch	DC to 1.485 Gbps	50

National Semiconductor
2900 Semiconductor Dr.
PO Box 58090
Santa Clara, CA 95052

Visit our Web site at:
www.national.com

For more information,
send Email to:
support@nsc.com

Visit **The National Edge**, our on-line technical journal for an archive of Application Briefs and other interesting information.
edge.national.com

Data Sheet Download

<http://www.national.com/pf/CL/CLC001.html>
<http://www.national.com/pf/CL/CLC012.html>
<http://www.national.com/pf/CL/CLC016.html>
<http://www.national.com/appinfo/interface>

IMPORTANT NOTICE

Texas Instruments Incorporated and its subsidiaries (TI) reserve the right to make corrections, modifications, enhancements, improvements, and other changes to its products and services at any time and to discontinue any product or service without notice. Customers should obtain the latest relevant information before placing orders and should verify that such information is current and complete. All products are sold subject to TI's terms and conditions of sale supplied at the time of order acknowledgment.

TI warrants performance of its hardware products to the specifications applicable at the time of sale in accordance with TI's standard warranty. Testing and other quality control techniques are used to the extent TI deems necessary to support this warranty. Except where mandated by government requirements, testing of all parameters of each product is not necessarily performed.

TI assumes no liability for applications assistance or customer product design. Customers are responsible for their products and applications using TI components. To minimize the risks associated with customer products and applications, customers should provide adequate design and operating safeguards.

TI does not warrant or represent that any license, either express or implied, is granted under any TI patent right, copyright, mask work right, or other TI intellectual property right relating to any combination, machine, or process in which TI products or services are used. Information published by TI regarding third-party products or services does not constitute a license from TI to use such products or services or a warranty or endorsement thereof. Use of such information may require a license from a third party under the patents or other intellectual property of the third party, or a license from TI under the patents or other intellectual property of TI.

Reproduction of TI information in TI data books or data sheets is permissible only if reproduction is without alteration and is accompanied by all associated warranties, conditions, limitations, and notices. Reproduction of this information with alteration is an unfair and deceptive business practice. TI is not responsible or liable for such altered documentation. Information of third parties may be subject to additional restrictions.

Resale of TI products or services with statements different from or beyond the parameters stated by TI for that product or service voids all express and any implied warranties for the associated TI product or service and is an unfair and deceptive business practice. TI is not responsible or liable for any such statements.

TI products are not authorized for use in safety-critical applications (such as life support) where a failure of the TI product would reasonably be expected to cause severe personal injury or death, unless officers of the parties have executed an agreement specifically governing such use. Buyers represent that they have all necessary expertise in the safety and regulatory ramifications of their applications, and acknowledge and agree that they are solely responsible for all legal, regulatory and safety-related requirements concerning their products and any use of TI products in such safety-critical applications, notwithstanding any applications-related information or support that may be provided by TI. Further, Buyers must fully indemnify TI and its representatives against any damages arising out of the use of TI products in such safety-critical applications.

TI products are neither designed nor intended for use in military/aerospace applications or environments unless the TI products are specifically designated by TI as military-grade or "enhanced plastic." Only products designated by TI as military-grade meet military specifications. Buyers acknowledge and agree that any such use of TI products which TI has not designated as military-grade is solely at the Buyer's risk, and that they are solely responsible for compliance with all legal and regulatory requirements in connection with such use.

TI products are neither designed nor intended for use in automotive applications or environments unless the specific TI products are designated by TI as compliant with ISO/TS 16949 requirements. Buyers acknowledge and agree that, if they use any non-designated products in automotive applications, TI will not be responsible for any failure to meet such requirements.

Following are URLs where you can obtain information on other Texas Instruments products and application solutions:

Products

Audio	www.ti.com/audio
Amplifiers	amplifier.ti.com
Data Converters	dataconverter.ti.com
DLP® Products	www.dlp.com
DSP	dsp.ti.com
Clocks and Timers	www.ti.com/clocks
Interface	interface.ti.com
Logic	logic.ti.com
Power Mgmt	power.ti.com
Microcontrollers	microcontroller.ti.com
RFID	www.ti-rfid.com
OMAP Mobile Processors	www.ti.com/omap
Wireless Connectivity	www.ti.com/wirelessconnectivity

Applications

Communications and Telecom	www.ti.com/communications
Computers and Peripherals	www.ti.com/computers
Consumer Electronics	www.ti.com/consumer-apps
Energy and Lighting	www.ti.com/energy
Industrial	www.ti.com/industrial
Medical	www.ti.com/medical
Security	www.ti.com/security
Space, Avionics and Defense	www.ti.com/space-avionics-defense
Transportation and Automotive	www.ti.com/automotive
Video and Imaging	www.ti.com/video

TI E2E Community Home Page

e2e.ti.com

Mailing Address: Texas Instruments, Post Office Box 655303, Dallas, Texas 75265
Copyright © 2011, Texas Instruments Incorporated