

## ***AN-300 Simple Circuit Detects Loss of 4-20 mA Signal***

---

### **ABSTRACT**

Four-to-twenty milliamperere current loops are commonly used in the process control industry. They take advantage of the fact that a remote amplifier can be powered by the same 4-20 mA current that it controls as its output signal, thus using a single pair of wires for signal and power. Circuits for making 4-20 mA transmitters are found in the LM10, LM163, and LH0045 data sheets.

---

### **Contents**

1	Introduction .....	2
---	--------------------	---

### **List of Figures**

1	Current Loop Fault Detector .....	2
2	Test Circuit for Threshold Detector .....	3
3	Fault Detector with Low-Cost Trim Scheme (To be trimmed in the circuit of ) .....	4
4	Current Loop Fault Detector ( $I_{\text{THRESHOLD}} = 0.85 \text{ mA}$ for 1 mA–5 mA Current Loops) .....	5
5	Current Loop Fault Detector ( $I_{\text{THRESHOLD}} = 8.5 \text{ mA}$ , for 10 mA–50 mA Current Loops).....	5

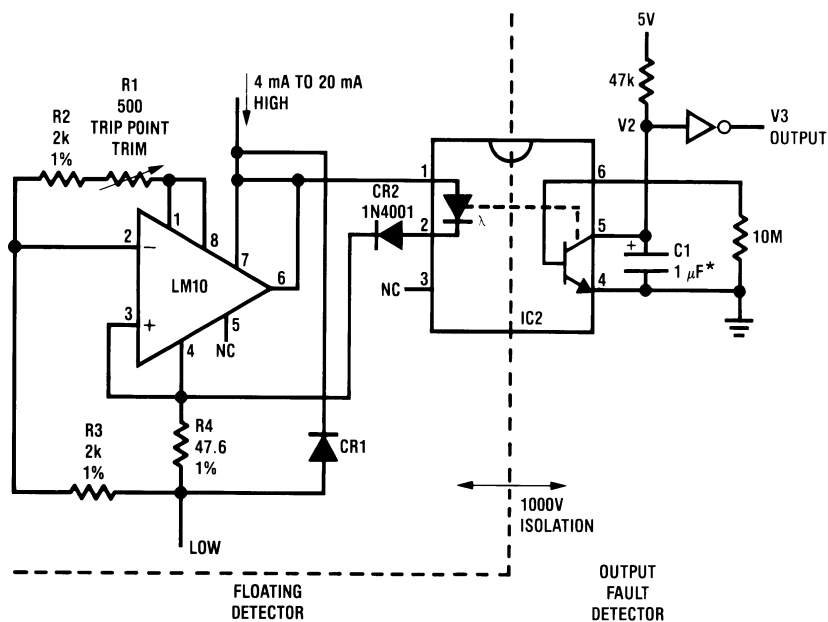
## 1 Introduction

In general, an expensive isolation amplifier would be required to detect the case of a 4 mA signal falling out of spec (e.g., 3.7 mA) without degrading the isolation of the 4-20 mA current loop.

But this new circuit ([Figure 1](#)) can detect a loss or degradation of signal below 4 mA, with simplicity and low cost. The LM10 contains a stable reference at pins 1 and 8, 200 mV positive referred to pin 4. As long as the loop current is larger than 4 mA, the  $I \times R$  drop across the 47.6Ω resistor, R4, is sufficient to pull the LM10's amplifier input (pin 2) below pin 3 and keep its output (pin 6) turned *OFF*.

The 4-20 mA current will flow through the LED in the optoisolator and provide a *LOW* output at pin 5 of the optoisolator.

When the current loop falls below 3.7 mA, the LM10's input at pin 2 will rise and cause the pin 6 output to fall and steal all the current away from the LED in the optoisolator. Pin 5 of the 4N28 will rise to signify a *fault* condition. This *fault* flag will fly for any loop current between 3.7 mA and 0.0 mA (and also in case of reversal or open-circuit). R1 is used to trim the threshold point to the desired value. CR2 is added in series with the LED to make sure it will turn *OFF* when the LM10's output goes *LOW*. (While the LM10 is guaranteed to saturate to 1.2V, the forward drop of the LED in the 4N28 may be as low as 1.0V, so a diode is added in series with the LED, to insure that it can be shut off.) Note that most operational amplifiers will not respond in a reasonable way if the output pin (6) is connected to the positive supply pin (7), but the LM10 was specifically designed and is specified to perform accurately in this "shunt" mode. (Refer to *AN-211 New Op Amp Ideas* ([SNOA638](#)), *TP-14 Low Voltage Techniques (Addendum to AN 211)* ([SNOA724](#)), and the *LM10 Operational Amplifier and Voltage Reference* ([SNOSBH4](#)).




CR1 = 1N4001, optional, in case of signal reversal  
LM10 = NSC LM10CLN or LM10CLH amp/reference

IC2 = 4N28 or similar, optoisolator

V2 = Normally low; high signifies fault ( $I < 3.7$  mA)

V3 = Normally high; low signifies fault ( $I < 3.7$  mA) (buffered output)

\*C1 = 1 μF optional, to avoid false output when large AC current is superimposed on 4.0 mA.  
Disconnect this capacitor when using with circuit of [Figure 2](#).

 = 1/6 MM74C04 or similar, CMOS inverter

**Figure 1. Current Loop Fault Detector**

While you could manually adjust R1 while observing the status of V3 output, this would be a coarse and awkward trim procedure. Figure 2 shows an improved test circuit which servos the current through the detector circuit, forcing it to be at the threshold value. Then that current can be monitored continuously, and the circuit can be trimmed easily. If the current through R107 starts out too small, the output of the 4N28 will be HIGH too much of the time, and the op amp output will integrate upwards until the current is at the actual threshold of the detector. The integrator's output will stop at the value where the duty cycle of the 4N28 output is exactly 50%. This occurs when the current through R107 is straddling the threshold value.

The positive feedback via R108 assures that the loop oscillates at approximately 50 cycles per second, with a small, well-controlled sawtooth wave at its output. This mode of operation was chosen to insure that the loop does not oscillate at some high, uncontrolled frequency, as it would be difficult in that case to be sure the duty cycle was exactly 50%. This test circuit is advantageous, because you can measure the trip point directly.

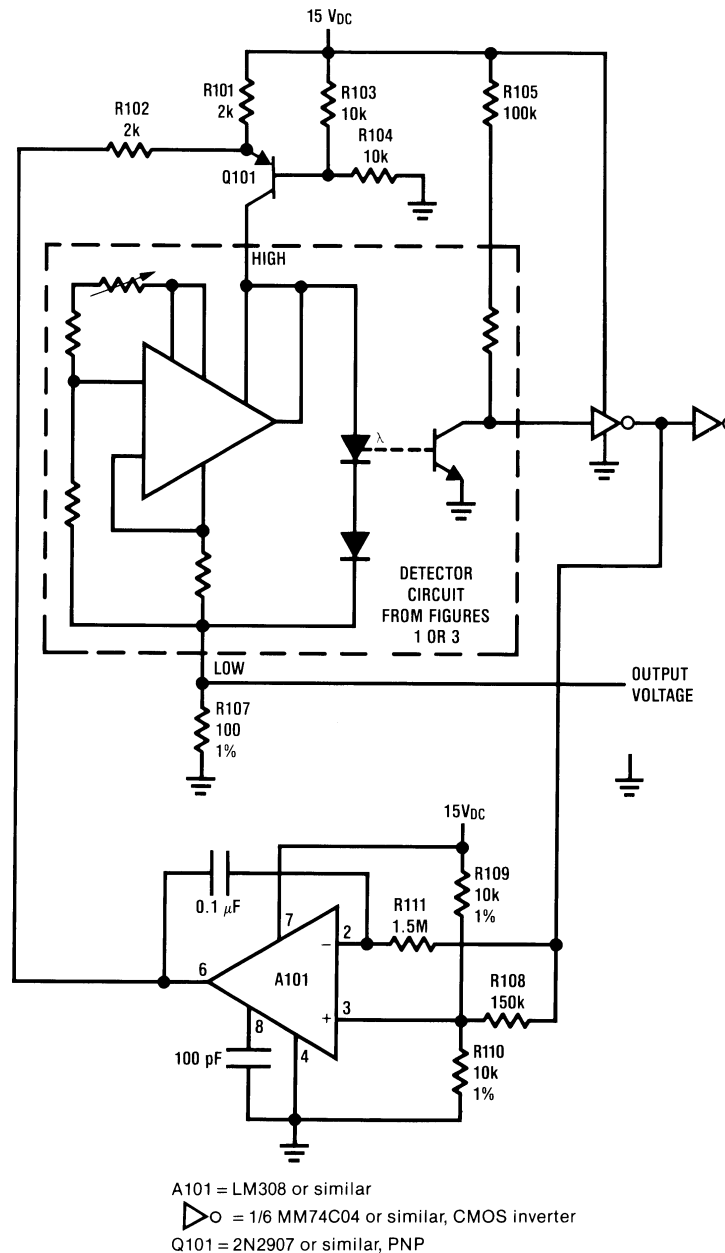


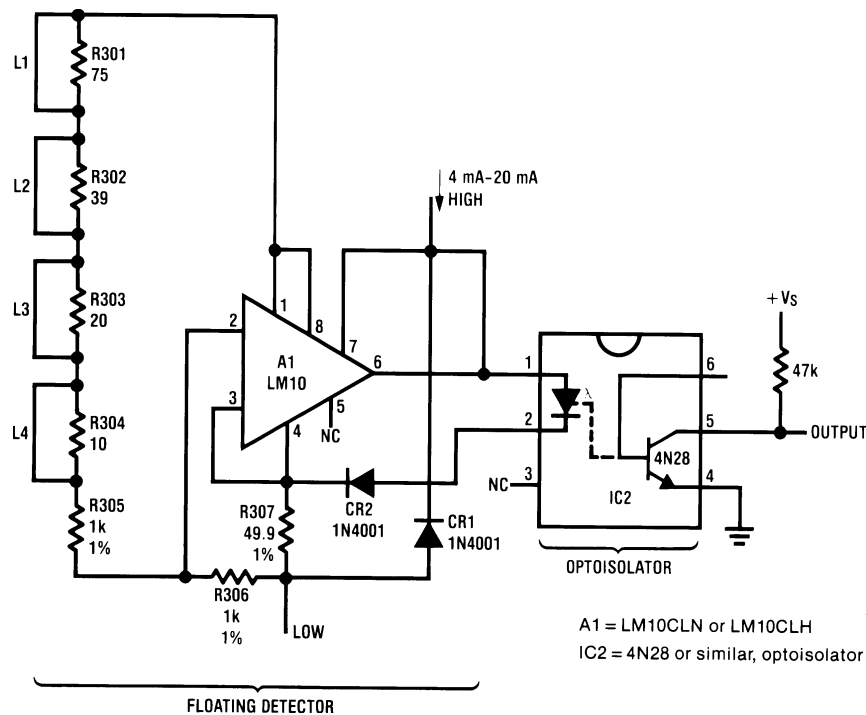
Figure 2. Test Circuit for Threshold Detector

The test circuit of [Figure 2](#) is necessary for trimming the detector in [Figure 3](#). This circuit does not have a trim pot, and thus avoids the problem of someone mis-adjusting the circuit after it is once trimmed correctly. It also avoids the compromises between good but expensive trim pots and cheap but unreliable, drifts trim pots. By opening one or more of the links, L1–L4, according to the following procedure, it is easy to trim the threshold level to be within 1% of 3.70 mA (or as desired).

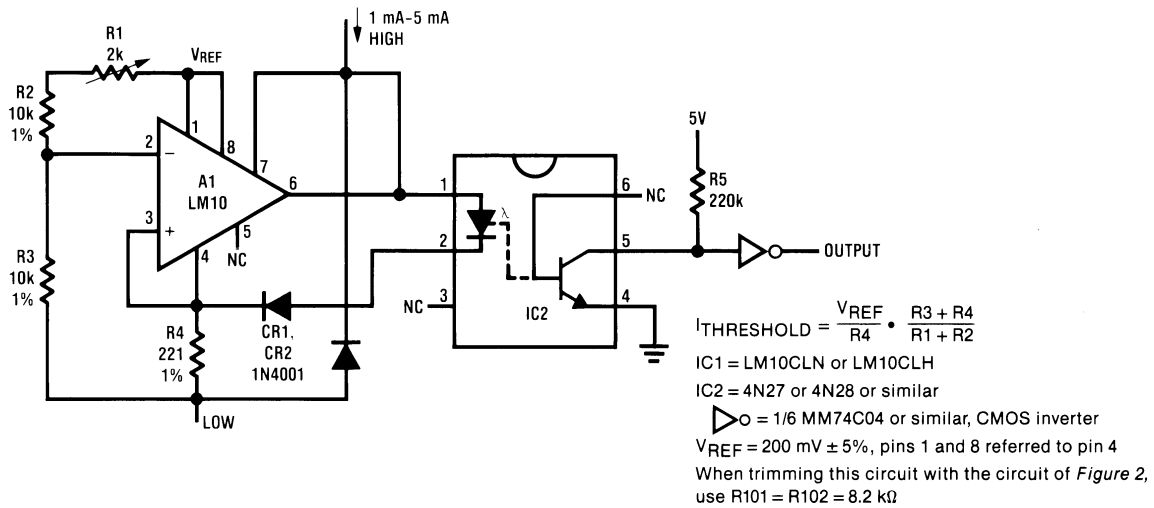
- Observe the DC current through R107 in [Figure 2](#)
- If  $I_{\text{THRESHOLD}}$  is larger than 3.950 mA, open link L1;
  - —if not, don't
- If  $I_{\text{THRESHOLD}}$  is larger than 3.830 mA, open link L2;
  - —if not, don't
- If  $I_{\text{THRESHOLD}}$  is larger than 3.760 mA, open link L3;
  - —if not, don't
- Then, if  $I_{\text{THRESHOLD}}$  is larger than 3.720 mA, open link L4;
  - —if not, don't

This procedure provides a circuit trimmed to much better than 1% of 3.70 mA, without using any trim pots. Of course, this circuit can be used to detect drop-out of regulation of other floating signals, while maintaining high isolation from ground, good accuracy, low power dissipation (2 mA × 2.5V typical) and low cost.

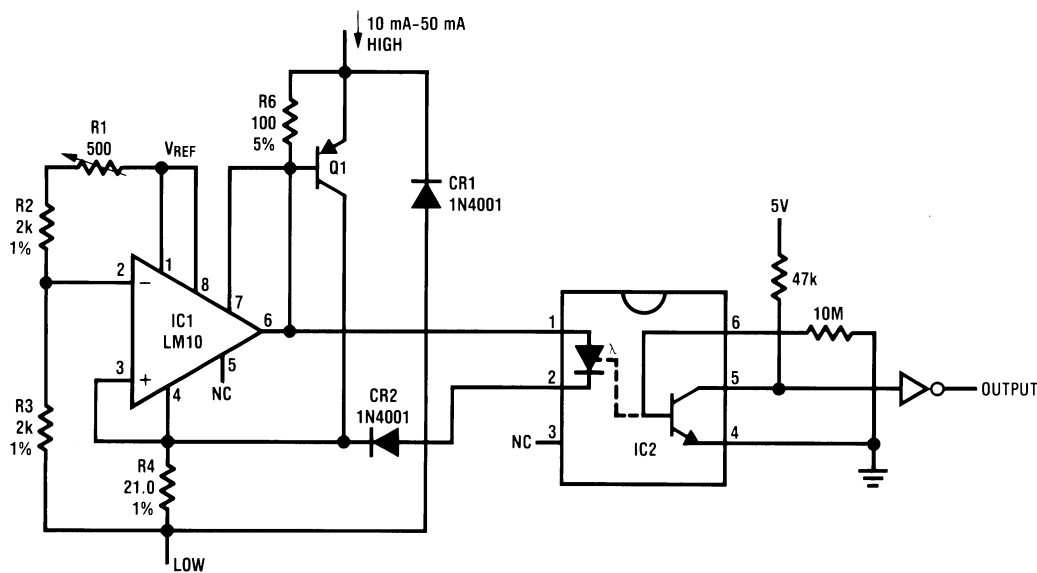
Other standard values of current loop are 1 mA–5 mA and 10 mA–50 mA. The version shown in [Figure 4](#) uses higher resistance values to trip at 0.85 mA. The circuit in [Figure 5](#) has an additional transistor, to accommodate currents as large as 50 mA without damage or loss of accuracy, and provide an 8.5 mA threshold.



**Figure 3. Fault Detector with Low-Cost Trim Scheme  
(To be trimmed in the circuit of [Figure 2](#))**



**Figure 4. Current Loop Fault Detector**  
 ( $I_{\text{THRESHOLD}} = 0.85 \text{ mA}$  for 1 mA–5 mA Current Loops)



**Figure 5. Current Loop Fault Detector**  
 ( $I_{\text{THRESHOLD}} = 8.5 \text{ mA}$ , for 10 mA–50 mA Current Loops)

## IMPORTANT NOTICE

Texas Instruments Incorporated and its subsidiaries (TI) reserve the right to make corrections, enhancements, improvements and other changes to its semiconductor products and services per JESD46, latest issue, and to discontinue any product or service per JESD48, latest issue. Buyers should obtain the latest relevant information before placing orders and should verify that such information is current and complete. All semiconductor products (also referred to herein as "components") are sold subject to TI's terms and conditions of sale supplied at the time of order acknowledgment.

TI warrants performance of its components to the specifications applicable at the time of sale, in accordance with the warranty in TI's terms and conditions of sale of semiconductor products. Testing and other quality control techniques are used to the extent TI deems necessary to support this warranty. Except where mandated by applicable law, testing of all parameters of each component is not necessarily performed.

TI assumes no liability for applications assistance or the design of Buyers' products. Buyers are responsible for their products and applications using TI components. To minimize the risks associated with Buyers' products and applications, Buyers should provide adequate design and operating safeguards.

TI does not warrant or represent that any license, either express or implied, is granted under any patent right, copyright, mask work right, or other intellectual property right relating to any combination, machine, or process in which TI components or services are used. Information published by TI regarding third-party products or services does not constitute a license to use such products or services or a warranty or endorsement thereof. Use of such information may require a license from a third party under the patents or other intellectual property of the third party, or a license from TI under the patents or other intellectual property of TI.

Reproduction of significant portions of TI information in TI data books or data sheets is permissible only if reproduction is without alteration and is accompanied by all associated warranties, conditions, limitations, and notices. TI is not responsible or liable for such altered documentation. Information of third parties may be subject to additional restrictions.

Resale of TI components or services with statements different from or beyond the parameters stated by TI for that component or service voids all express and any implied warranties for the associated TI component or service and is an unfair and deceptive business practice. TI is not responsible or liable for any such statements.

Buyer acknowledges and agrees that it is solely responsible for compliance with all legal, regulatory and safety-related requirements concerning its products, and any use of TI components in its applications, notwithstanding any applications-related information or support that may be provided by TI. Buyer represents and agrees that it has all the necessary expertise to create and implement safeguards which anticipate dangerous consequences of failures, monitor failures and their consequences, lessen the likelihood of failures that might cause harm and take appropriate remedial actions. Buyer will fully indemnify TI and its representatives against any damages arising out of the use of any TI components in safety-critical applications.

In some cases, TI components may be promoted specifically to facilitate safety-related applications. With such components, TI's goal is to help enable customers to design and create their own end-product solutions that meet applicable functional safety standards and requirements. Nonetheless, such components are subject to these terms.

No TI components are authorized for use in FDA Class III (or similar life-critical medical equipment) unless authorized officers of the parties have executed a special agreement specifically governing such use.

Only those TI components which TI has specifically designated as military grade or "enhanced plastic" are designed and intended for use in military/aerospace applications or environments. Buyer acknowledges and agrees that any military or aerospace use of TI components which have **not** been so designated is solely at the Buyer's risk, and that Buyer is solely responsible for compliance with all legal and regulatory requirements in connection with such use.

TI has specifically designated certain components as meeting ISO/TS16949 requirements, mainly for automotive use. In any case of use of non-designated products, TI will not be responsible for any failure to meet ISO/TS16949.

### Products

Audio	<a href="http://www.ti.com/audio">www.ti.com/audio</a>
Amplifiers	<a href="http://amplifier.ti.com">amplifier.ti.com</a>
Data Converters	<a href="http://dataconverter.ti.com">dataconverter.ti.com</a>
DLP® Products	<a href="http://www.dlp.com">www.dlp.com</a>
DSP	<a href="http://dsp.ti.com">dsp.ti.com</a>
Clocks and Timers	<a href="http://www.ti.com/clocks">www.ti.com/clocks</a>
Interface	<a href="http://interface.ti.com">interface.ti.com</a>
Logic	<a href="http://logic.ti.com">logic.ti.com</a>
Power Mgmt	<a href="http://power.ti.com">power.ti.com</a>
Microcontrollers	<a href="http://microcontroller.ti.com">microcontroller.ti.com</a>
RFID	<a href="http://www.ti-rfid.com">www.ti-rfid.com</a>
OMAP Applications Processors	<a href="http://www.ti.com/omap">www.ti.com/omap</a>
Wireless Connectivity	<a href="http://www.ti.com/wirelessconnectivity">www.ti.com/wirelessconnectivity</a>

### Applications

Automotive and Transportation	<a href="http://www.ti.com/automotive">www.ti.com/automotive</a>
Communications and Telecom	<a href="http://www.ti.com/communications">www.ti.com/communications</a>
Computers and Peripherals	<a href="http://www.ti.com/computers">www.ti.com/computers</a>
Consumer Electronics	<a href="http://www.ti.com/consumer-apps">www.ti.com/consumer-apps</a>
Energy and Lighting	<a href="http://www.ti.com/energy">www.ti.com/energy</a>
Industrial	<a href="http://www.ti.com/industrial">www.ti.com/industrial</a>
Medical	<a href="http://www.ti.com/medical">www.ti.com/medical</a>
Security	<a href="http://www.ti.com/security">www.ti.com/security</a>
Space, Avionics and Defense	<a href="http://www.ti.com/space-avionics-defense">www.ti.com/space-avionics-defense</a>
Video and Imaging	<a href="http://www.ti.com/video">www.ti.com/video</a>

### TI E2E Community

[e2e.ti.com](http://e2e.ti.com)