

# Technical Article

## Increasing Battery Life in IoT Devices



Jarrod Krebs

Wireless sensors are gaining popularity with the installation of more smart devices in homes and buildings. Battery-powered wireless devices enable very easy installation almost anywhere, but changing batteries frequently is not ideal from an ease-of-use or cost perspective.

For example, if you retrofit a commercial building with wireless sensor nodes to turn it into a smart building, that may entail the installation of several thousand wireless sensor nodes linked to various devices such as thermostats and smoke and fire detectors. Since it is impractical to run power cabling to every single node, batteries are a necessary power source. However, there is a significant labor cost when it comes time to change several thousand batteries in those wireless sensor nodes.

You can extend battery life in Internet of Things (IoT) sensing nodes by employing a duty-cycled approach. This is where the node powers up, records a measurement from the sensor, transmits that data wirelessly to a central hub or gateway and then turns itself off, either with a low-power mode or load switch. However, some applications such as star networks or certain *Bluetooth*® devices cannot stay in low-power mode for long if they have to be awake to transmit or pass along messages.

When smart devices require more power to operate motors (such as a smart lock or smart vent), battery life is more dependent on how the higher power is generated to run a motor, not the lower power needed to operate the radio. Texas Instruments has two separate reference designs that demonstrate a smart lock and smart vent application, respectively. The [Smart Lock Reference Design Enabling 5+ Years Battery Life on 4x AA Batteries](#) and [Smart Damper Control with Pressure, Humidity and Temperature Reference Design for HVAC Diagnostics](#) showcase TI's high-efficiency DC/DC buck topology paired with the DRV8833 low-voltage motor driver. These reference designs achieve long battery life by choosing a more efficient power topology for the application – in this case a highly efficient buck converter, the TPS62745, and by extending the duty cycle of Bluetooth low energy connection events.

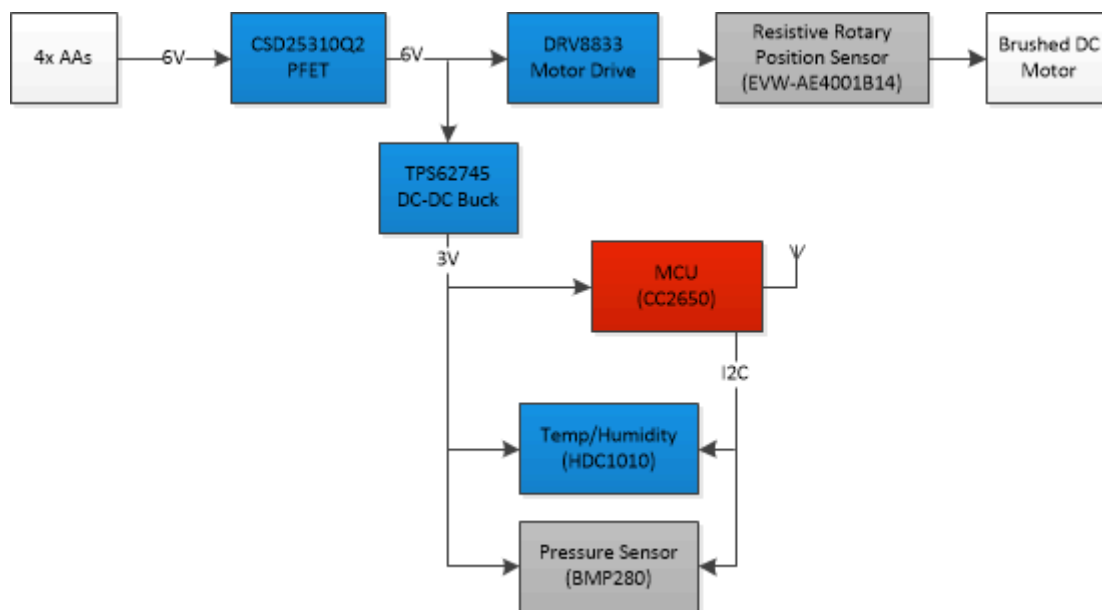


Figure 1. Smart Damper Control Reference Design Block Diagram

The DRV8833 is powered directly off the batteries, while the rest of the system operates from the buck's output rail. During radio transmission, the buck is over 90% efficient at 9.1mA. The high-efficiency buck enables a longer battery life for the entire system compared to other topologies.

The smart damper control reference design enables you to alter the louver position of a vent, for example. The duct air pressure and temperature could be automated with algorithms, which in turn enable demand-controlled ventilation in a home. The pressure and temperature sensors enable heating, ventilation and air conditioning (HVAC) system component monitoring and can help with the identification of maintenance schedules. If a temperature or pressure differential between vents exists, the algorithm on board could hint that a filter needs to be changed and notify the home owner. The design can also act as a variable air volume controller in commercial applications.

As wireless smart sensing devices become battery-dependent, the power topology is more important to achieving long battery life in simple motor-control designs and “always-on” applications. Check out the additional resources to see how TI can help you optimize battery life in your application.

### **Additional Resources**

- Watch our [training series](#) to learn more about optimizing wireless sensor nodes.
- See these other TI reference designs for “always-on” wireless sensing applications:
  - [Low Power Wireless PIR Motion Detector Reference Design Enabling 10 Year Coin Cell Battery Life.](#)
  - [Always-On Low-Power Gas Sensing with 10+ Year Coin Cell Battery Life Reference Design](#)

## IMPORTANT NOTICE AND DISCLAIMER

TI PROVIDES TECHNICAL AND RELIABILITY DATA (INCLUDING DATA SHEETS), DESIGN RESOURCES (INCLUDING REFERENCE DESIGNS), APPLICATION OR OTHER DESIGN ADVICE, WEB TOOLS, SAFETY INFORMATION, AND OTHER RESOURCES "AS IS" AND WITH ALL FAULTS, AND DISCLAIMS ALL WARRANTIES, EXPRESS AND IMPLIED, INCLUDING WITHOUT LIMITATION ANY IMPLIED WARRANTIES OF MERCHANTABILITY, FITNESS FOR A PARTICULAR PURPOSE OR NON-INFRINGEMENT OF THIRD PARTY INTELLECTUAL PROPERTY RIGHTS.

These resources are intended for skilled developers designing with TI products. You are solely responsible for (1) selecting the appropriate TI products for your application, (2) designing, validating and testing your application, and (3) ensuring your application meets applicable standards, and any other safety, security, regulatory or other requirements.

These resources are subject to change without notice. TI grants you permission to use these resources only for development of an application that uses the TI products described in the resource. Other reproduction and display of these resources is prohibited. No license is granted to any other TI intellectual property right or to any third party intellectual property right. TI disclaims responsibility for, and you will fully indemnify TI and its representatives against, any claims, damages, costs, losses, and liabilities arising out of your use of these resources.

TI's products are provided subject to [TI's Terms of Sale](#) or other applicable terms available either on [ti.com](https://www.ti.com) or provided in conjunction with such TI products. TI's provision of these resources does not expand or otherwise alter TI's applicable warranties or warranty disclaimers for TI products.

TI objects to and rejects any additional or different terms you may have proposed.

Mailing Address: Texas Instruments, Post Office Box 655303, Dallas, Texas 75265  
Copyright © 2023, Texas Instruments Incorporated