

# SimpleLink™ CC3351 Dual-Band Wi-Fi 6 and Bluetooth® Low Energy M.2 Add-in Card

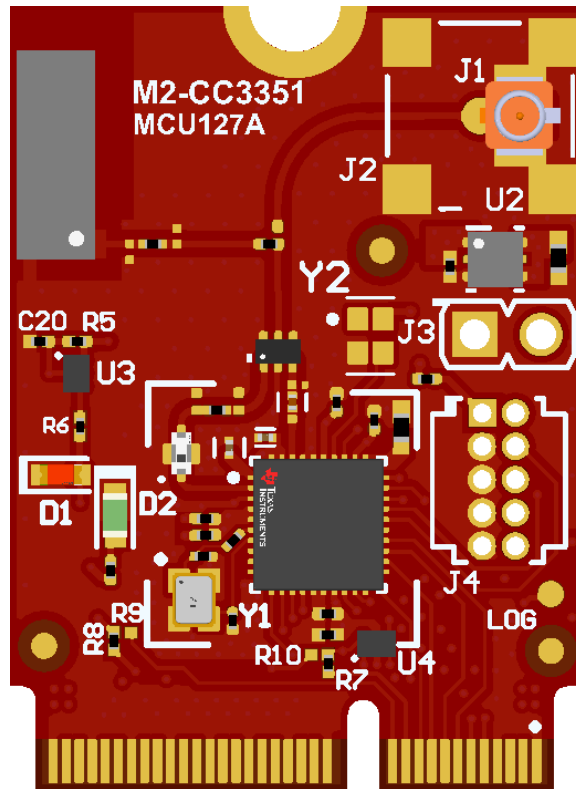


## Description

The SimpleLink™ CC3351 Dual-Band Wi-Fi 6 and Bluetooth® Low Energy devices enable affordable, reliable and secure connectivity in embedded applications with a processor host running Linux® or an MCU host running RTOS. The CC3351 M.2 Add-in Card (M2-CC3351) is a test and development board that can be easily connected to TI processor boards or other processor boards with M.2 Key-E interface support; thus enabling rapid software development.

## Features

- CC3351 Dual-Band (2.4GHz and 5GHz) Wi-Fi 6 and Bluetooth® Low Energy companion IC in QFN package
- Seamless integration with M.2 Key-E equipped MPU platforms
- Onboard chip antenna with option for U.FL/SMA based testing
- M.2 Type 2230 Key E interface



M2-CC3351 (Top View)

# 1 Evaluation Module Overview

## 1.1 Introduction

This user's guide is intended to explain the various hardware configurations and features of the M2-CC3351.

The CC3351 M.2 Add-in Card (M2-CC3351) is a test and development board that can be easily connected to TI processor boards or other processor boards with an M.2 Type 2230 Key E slot; thus enabling rapid software development.

The M2-CC3351 Add-in card can be easily paired with the following processor boards:

- [SK-AM62B-P1](#)
- [SK-AM62A-LP](#)
- [SK-AM62-LP](#)

## 1.2 Kit Contents

- M2-CC3351 Board
- EVM disclaimer Read Me

## 1.3 Specification

The M2-CC3351 is a board designed to enable rapid and easy software and hardware development for the CC3351 device. The block diagram for the Add-in Card is shown below.

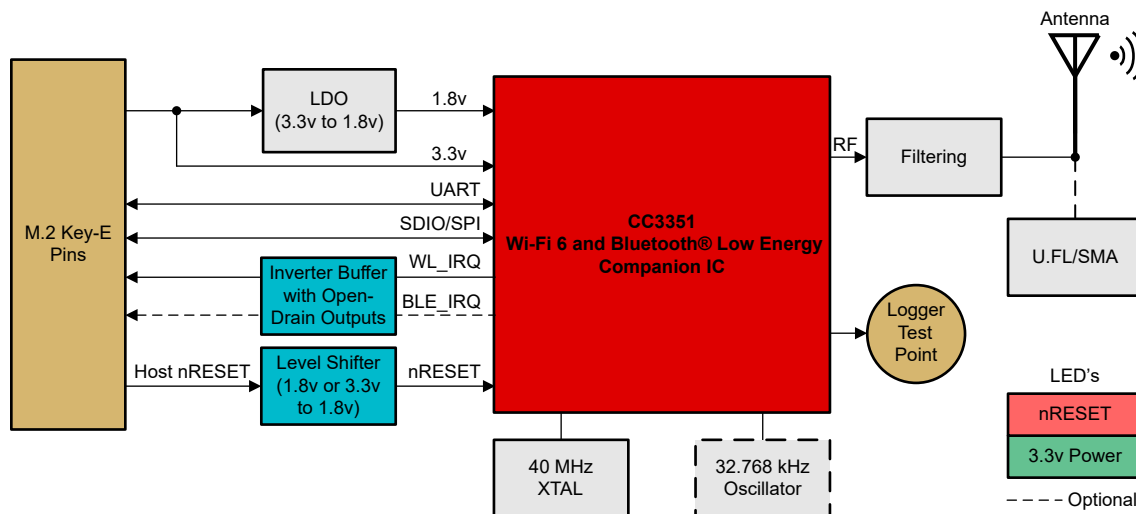


Figure 1-1. Block Diagram of M2-CC3351

## 1.4 Device Information

The purpose of the M2-CC3351 is to showcase the hardware and software capabilities of the CC3351 device. Other components on the board are only populated for testing and support of the main device.

## 2 Hardware

### 2.1 Overview

The figures below show the features on the top and bottom side of the M2-CC3351 board, and some of the highlighted features are described below.

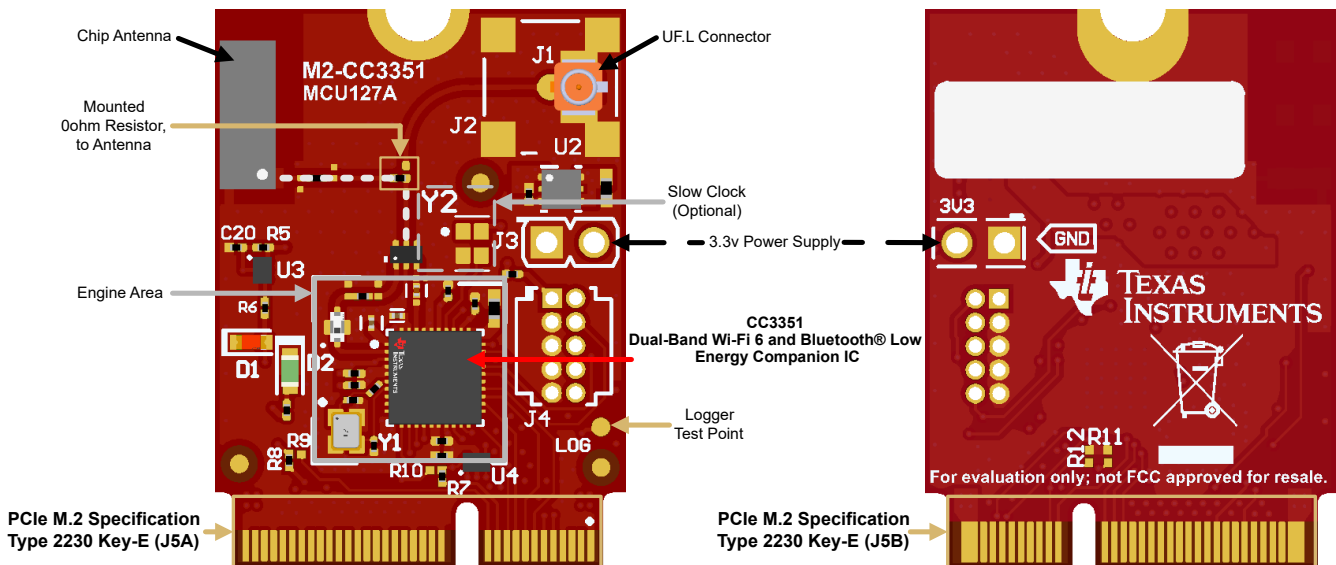


Figure 2-1. M2-CC3351 Features

- The mounted 0 Ohm resistor can be swapped to a different position to do conducted testing with the connector on board (J1/J2); the default configuration allows use of the onboard chip antenna (refer to [Figure 2-1](#)). Alternatively, there is footprint for an SMA connector (J2) onboard to replace the onboard UFL connector (J1) for performing conducted testing measurements with a compatible coaxial cable (refer to [Figure 2-2](#)).
- There is an optional placement for a 32.768kHz oscillator (Y2), but the CC3351 already has an internal Slow Clock. The only tradeoff of not having the oscillator (Y2) is a higher power consumption when connected to an access point.
- With the optional 2 pin header (J3), users can access or provide the 3.3v power source and the ground of the board.
- The M2-CC3351 Gold finger Edge connector (J5) follows the PCIe M.2 form factor Type 2230 Key E, as such the board can be compatible with any host that has a 75-position host interface connector for type key E. Refer to [Section 2.3](#) for more information on the pin out.

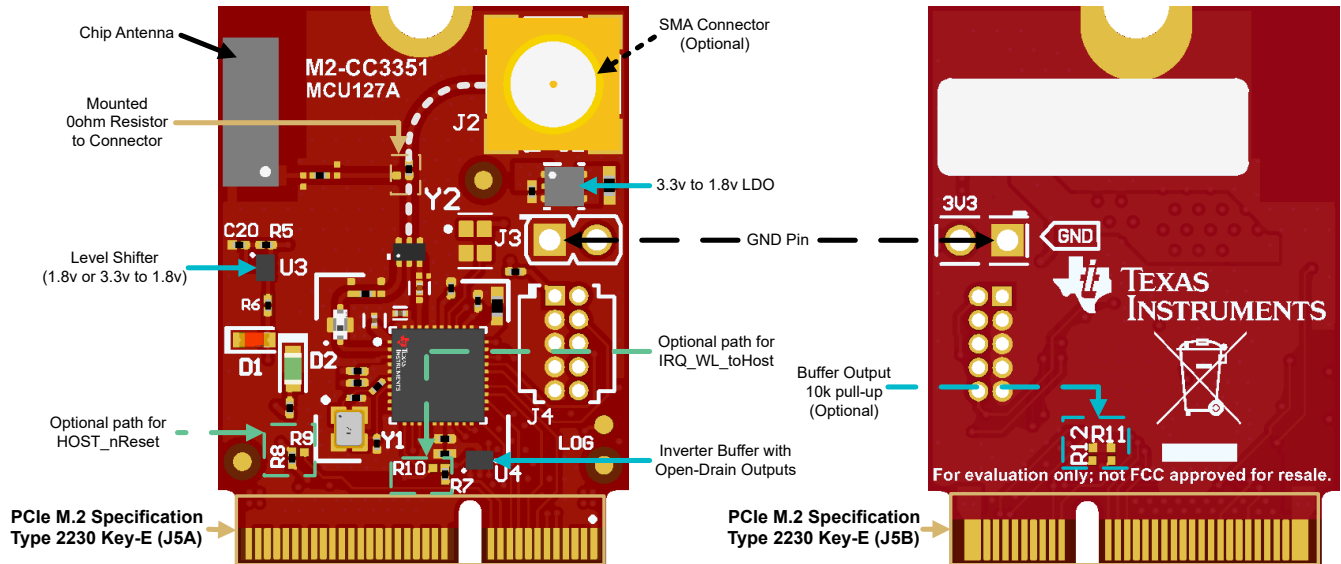


Figure 2-2. M2-CC3351 More Features

- The onboard LDO (U2) is used to derive 1.8V from the provided 3.3V.
- There is an onboard Level Shifter (U3) for the device to receive only 1.8V for the nRESET Net signal .
- An important note is that the *Dual Inverter Buffer with Open-Drain Output* (U4) allows the device to output the interrupt lines (Active Low) and conform to the PCI Express M.2 Specification. Since the component is open-drain, the host platform must have a 10K pull up; pads have been provided to add the resistor (R11 for IRQ\_WL, and R12 for IRQ\_BLE) in case that is not true.
- There are resistors to optionally change the pin used for the *HOST\_nRESET* and *IRQ\_WL\_toHost* net signals (refer to [Section 2.3](#)).

## 2.2 Setup

The M2-CC3351 must be inserted on the M.2 Key-E socket of the host platform. The figure below shows the M2-CC3351 Add-in Card inserted in the M.2 Key E socket (J2 connector) of the host platform SK-AM62A-LP.

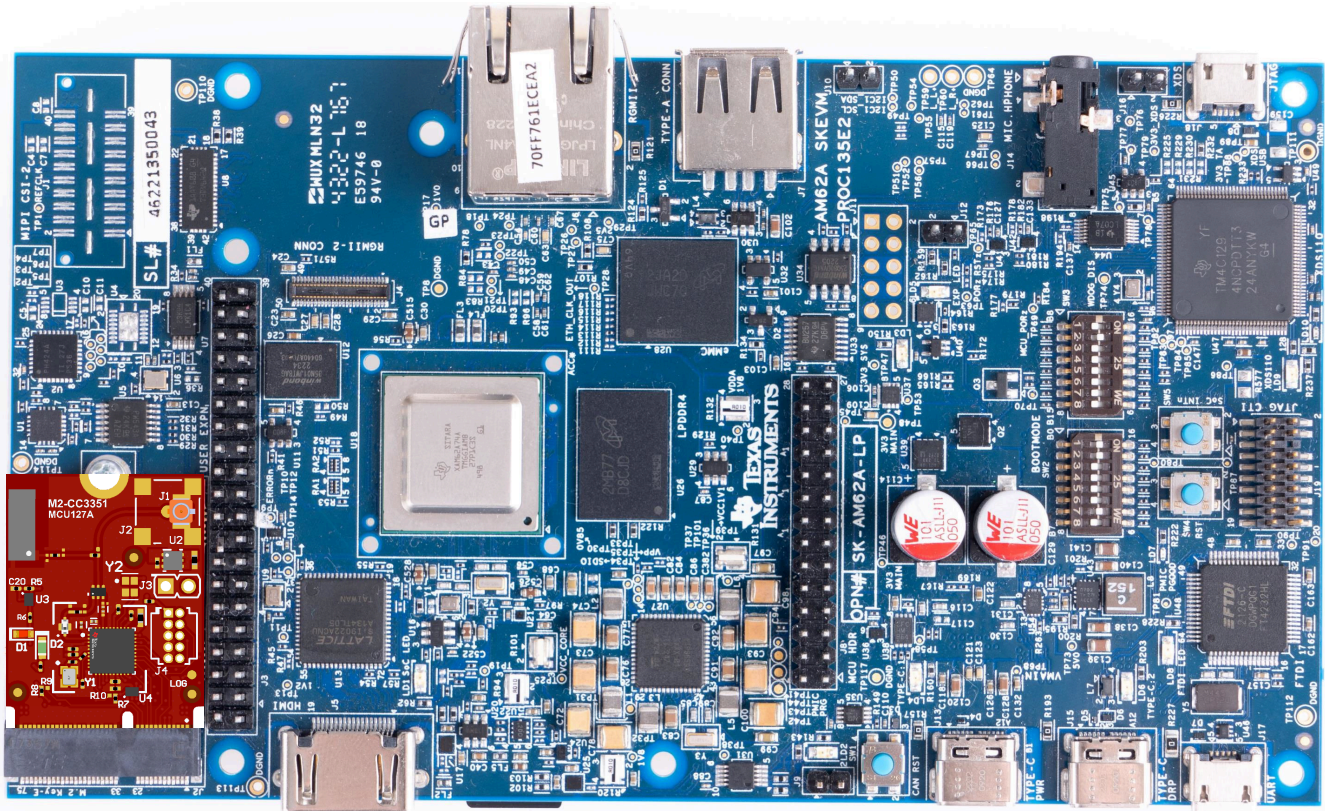


Figure 2-3. M2-CC3351 on SK-AM62A-LP

## 2.3 Header Information

The M2-CC3351 Add-in Card has a Gold Finger Edge that plugs into a M.2 Key E connector on the host platform board. The M2-CC3351 Gold Finger Edge pinout adapts the *SDIO Based Add-in Card Pinouts (Key E)* PCI Express M.2 Specification.

The signal assignment for the pins on the M.2 connector Gold Finger Edge is described in [Table 2-1](#) and [Table 2-2](#). Refer to [Section 2.1](#) for view of board.

**Table 2-1. Top M.2 Connector (J5A) Pinout**

Pin	PCIe M.2 Specification Signal	M2-CC3351 Signal	Type/ Direction	Description for M2-CC3351 Signal
P1	3.3V	GND	GND	Board ground
P3	USB_D+	NC	N/A	Not connected
P5	USB_D-	NC	N/A	Not connected
P7	GND	GND	GND	Board ground
P9	SDIO_CLK/SYSClk (I)(0/1.8V)	SDIO_CLK	Input	SDIO clock or SPI clock. Must be driven by host.
P11	SDIO_CMD (I/O)(0/1.8V)	SDIO_CMD	Input/Output	SDIO command or SPI PICO.
P13	SDIO_DATA0 (I/O)(0/1.8V)	SDIO_D0	Input/Output	SDIO data D0.
P15	SDIO_DATA1 (I/O)(0/1.8V)	SDIO_D1	Input/Output	SDIO data D1.
P17	SDIO_DATA2 (I/O)(0/1.8V)	SDIO_D2	Input/Output	SDIO data D2.
P19	SDIO_DATA3 (I/O)(0/1.8V)	SDIO_D3	Input/Output	SDIO data D3.
P21	SDIO_WAKE# (O)(0/1.8V)	IRQ_WL_Option1	Output	Default pin for Active Low interrupt request signal (IRQ_WL_toHost) from CC3351 to host for Wi-Fi activity. Refer to 0 ohm resistor R7.
P23	SDIO_RESET#/TX_BLANKING (I)(0/1.8V)	nRESET_Option2	Input	Alternative pin to HOST_nRESET line for CC3351. Used to enable/disable (Active Low) and driven by host. Refer to 0 ohm resistor R9 .
P25-P31	ADD-IN CARD KEY E	N/A	Key E	Pins reserved for Key E.
P33	GND	GND	GND	Board ground.
P35	PERp0	NC	N/A	Not connected.
P37	PERn0	NC	N/A	Not connected.
P39	GND	GND	GND	Board ground.
P41	PETp0	NC	N/A	Not connected.
P43	PETn0	NC	N/A	Not connected.
P45	GND	GND	GND	Board ground.
P47	REFCLKp0	NC	N/A	Not connected.
P49	REFCLKn0	NC	N/A	Not connected.
P51	GND	GND	GND	Board ground.
P53	CLKREQ0# (I/O)( 0/1.8V/3.3V)	NC	N/A	Not connected.
P55	PEWAKE0# (I/O)( 0/1.8V/3.3V)	NC	N/A	Not connected.
P57	GND	GND	GND	Board ground.
P59	RESERVED/PERo1	NC	N/A	Not connected.
P61	RESERVED/PERn1	NC	N/A	Not connected.
P63	GND	GND	GND	Board ground.
P65	RESERVED/PETp1	NC	N/A	Not connected.
P67	RESERVED/PETn1	NC	N/A	Not connected.
P69	GND	GND	GND	Board ground.
P71	RESERVED/REFCLKp1	NC	N/A	Not connected.
P73	RESERVED/REFCLKn1	NC	N/A	Not connected.

**Table 2-1. Top M.2 Connector (J5A) Pinout (continued)**

Pin	PCIe M.2 Specification Signal	M2-CC3351 Signal	Type/ Direction	Description for M2-CC3351 Signal
P75	GND	GND	GND	Board ground.

**Table 2-2. Bottom M.2 Connector (J5B) Pinout**

Pin	PCIe M.2 Specification Signal	M2-CC3351 Signal	Type/ Direction	Description for M2-CC3351 Signal
P2	3.3V	3V3	Input/VCC	Power provided to the board and LDO
P4	3.3V	3V3	Input/VCC	Power provided to the board and LDO
P6	LED_1# (O)(OD)	NC	N/A	Not connected
P8	PCM_CLK/I2S_SCK (I/O)(0/1.8V)	NC	N/A	Not connected
P10	PCM_SYNC/I2S_WS (I/O)(0/1.8V)	NC	N/A	Not connected
P12	PCM_OUT/I2S_SD_OUT (O)(0/1.8V)	NC	N/A	Not connected
P14	PCM_IN/I2S_SD_IN (I)(0/1.8V)	NC	N/A	Not connected
P16	LED_2# (O)(OD)	NC	N/A	Not connected
P18	VIO_CFG (O)	NC	N/A	Not connected
P20	UART_WAKE# (O)(0/3.3V)	IRQ_BLE_toHost	Output	Pin for Interrupt request from CC3351 to host for BLE activity.
P22	UART_TXD (O)(0/1.8V)	UART_TX	Output	The CC3351 UART TX to host for BLE host controller interface
P24-P30	ADD-IN CARD KEY E	N/A	Key E	Pins reserved for Key E
P32	UART_RXD (I)(0/1.8V)	UART_RX	Input	The CC3351 UART RX from host for BLE host controller interface
P34	UART_RTS (O)(0/1.8V)	UART_RTS	Output	UART RTS from CC3351 to host for BLE HCI flow control
P36	UART_CTS (I)(0/1.8V)	UART_CTS	Input	UART CTS to CC3351 from host for BLE HCI flow control
P38	VENDOR DEFINED	NC	N/A	Not connected
P40	VENDOR DEFINED	NC	N/A	Not connected
P42	VENDOR DEFINED	NC	N/A	Not connected
P44	COEX3 (I/O)(0/1.8V)	NC	N/A	Not connected
P46	COEX_TXD (O)(0/1.8V)	NC	N/A	Not connected
P48	COEX_RXD (I)(0/1.8V)	NC	N/A	Not connected
P50	SUSCLK (I)( 0/1.8V/3.3V)	NC	N/A	Not connected
P52	PERST0# (I)( 0/1.8V/3.3V)	NC	N/A	Not connected
P54	W_DISABLE2# (I)( 0/1.8V/3.3V)	NC	N/A	Not connected
P56	W_DISABLE1# (I)(0/1.8V/3.3V)	nRESET_Option1	Input	Default pin to HOST_nRESET line for CC3351. Used to enable/ disable (Active Low) and Driven by host. Refer to 0 ohm resistor R8
P58	I2C_DATA (I/O)(0/1.8 V)	NC	N/A	Not connected
P60	I2C_CLK (I)(0/1.8 V)	NC	N/A	Not connected
P62	ALERT# (O)(0/1.8 V)	IRQ_WL_Option2	Output	Alternative pin for Interrupt request Active Low (IRQ_WL_toHost) from CC3351 to host for Wi-Fi activity. Refer to 0 ohm resistor R10.
P64	VIO 1.8V	NC	N/A	Not connected
P66	UIM_SWP/PERST1#	NC	N/A	Not connected
P68	UIM_POWER_SNK/CLKREQ1#	NC	N/A	Not connected
P70	UIM_POWER_SRC/GPIO_1/PEWAKE1#	NC	N/A	Not connected
P72	3.3V	3V3	Input/VCC	Power provided to the board and LDO
P74	3.3V	3V3	Input/VCC	Power provided to the board and LDO

## 3 Software

### 3.1 Software Description

To access the software resources available, refer to [CC33XX-Software](#).

## 4 Hardware Design Files

### 4.1 Schematics

All design files including the schematics for the M2-CC3351 are made available for download on the [M2-CC3351 tool folder](#).

### 4.2 PCB Layouts

All design files including the Gerber files for the M2-CC3351 are made available for download on the [M2-CC3351 tool folder](#).

### 4.3 Bill of Materials (BOM)

All design files including the BOM list for the M2-CC3351 are made available for download on the [M2-CC3351 tool folder](#).

## 5 Compliance Information

### 5.1 Compliance and Certifications

The M2-CC3351 is found to be in RoHS compliant in accordance to EU Directives. The full text of the EU declaration of conformity is available at this [link](#).

## 6 Additional Information

### 6.1 Trademarks

SimpleLink™ is a trademark of Texas Instruments.

Bluetooth® is a registered trademark of Bluetooth Sig, Inc.

Linux® is a registered trademark of Linux Foundation.

All trademarks are the property of their respective owners.



## STANDARD TERMS FOR EVALUATION MODULES

1. *Delivery:* TI delivers TI evaluation boards, kits, or modules, including any accompanying demonstration software, components, and/or documentation which may be provided together or separately (collectively, an "EVM" or "EVMs") to the User ("User") in accordance with the terms set forth herein. User's acceptance of the EVM is expressly subject to the following terms.
  - 1.1 EVMs are intended solely for product or software developers for use in a research and development setting to facilitate feasibility evaluation, experimentation, or scientific analysis of TI semiconductors products. EVMs have no direct function and are not finished products. EVMs shall not be directly or indirectly assembled as a part or subassembly in any finished product. For clarification, any software or software tools provided with the EVM ("Software") shall not be subject to the terms and conditions set forth herein but rather shall be subject to the applicable terms that accompany such Software
  - 1.2 EVMs are not intended for consumer or household use. EVMs may not be sold, sublicensed, leased, rented, loaned, assigned, or otherwise distributed for commercial purposes by Users, in whole or in part, or used in any finished product or production system.
2. *Limited Warranty and Related Remedies/Disclaimers:*
  - 2.1 These terms do not apply to Software. The warranty, if any, for Software is covered in the applicable Software License Agreement.
  - 2.2 TI warrants that the TI EVM will conform to TI's published specifications for ninety (90) days after the date TI delivers such EVM to User. Notwithstanding the foregoing, TI shall not be liable for a nonconforming EVM if (a) the nonconformity was caused by neglect, misuse or mistreatment by an entity other than TI, including improper installation or testing, or for any EVMs that have been altered or modified in any way by an entity other than TI, (b) the nonconformity resulted from User's design, specifications or instructions for such EVMs or improper system design, or (c) User has not paid on time. Testing and other quality control techniques are used to the extent TI deems necessary. TI does not test all parameters of each EVM. User's claims against TI under this Section 2 are void if User fails to notify TI of any apparent defects in the EVMs within ten (10) business days after delivery, or of any hidden defects with ten (10) business days after the defect has been detected.
  - 2.3 TI's sole liability shall be at its option to repair or replace EVMs that fail to conform to the warranty set forth above, or credit User's account for such EVM. TI's liability under this warranty shall be limited to EVMs that are returned during the warranty period to the address designated by TI and that are determined by TI not to conform to such warranty. If TI elects to repair or replace such EVM, TI shall have a reasonable time to repair such EVM or provide replacements. Repaired EVMs shall be warranted for the remainder of the original warranty period. Replaced EVMs shall be warranted for a new full ninety (90) day warranty period.

### **WARNING**

**Evaluation Kits are intended solely for use by technically qualified, professional electronics experts who are familiar with the dangers and application risks associated with handling electrical mechanical components, systems, and subsystems.**

**User shall operate the Evaluation Kit within TI's recommended guidelines and any applicable legal or environmental requirements as well as reasonable and customary safeguards. Failure to set up and/or operate the Evaluation Kit within TI's recommended guidelines may result in personal injury or death or property damage. Proper set up entails following TI's instructions for electrical ratings of interface circuits such as input, output and electrical loads.**

**NOTE:**

**EXPOSURE TO ELECTROSTATIC DISCHARGE (ESD) MAY CAUSE DEGRADATION OR FAILURE OF THE EVALUATION KIT; TI RECOMMENDS STORAGE OF THE EVALUATION KIT IN A PROTECTIVE ESD BAG.**

### 3 Regulatory Notices:

#### 3.1 United States

##### 3.1.1 Notice applicable to EVMs not FCC-Approved:

**FCC NOTICE:** This kit is designed to allow product developers to evaluate electronic components, circuitry, or software associated with the kit to determine whether to incorporate such items in a finished product and software developers to write software applications for use with the end product. This kit is not a finished product and when assembled may not be resold or otherwise marketed unless all required FCC equipment authorizations are first obtained. Operation is subject to the condition that this product not cause harmful interference to licensed radio stations and that this product accept harmful interference. Unless the assembled kit is designed to operate under part 15, part 18 or part 95 of this chapter, the operator of the kit must operate under the authority of an FCC license holder or must secure an experimental authorization under part 5 of this chapter.

##### 3.1.2 For EVMs annotated as FCC – FEDERAL COMMUNICATIONS COMMISSION Part 15 Compliant:

#### **CAUTION**

This device complies with part 15 of the FCC Rules. Operation is subject to the following two conditions: (1) This device may not cause harmful interference, and (2) this device must accept any interference received, including interference that may cause undesired operation.

Changes or modifications not expressly approved by the party responsible for compliance could void the user's authority to operate the equipment.

#### **FCC Interference Statement for Class A EVM devices**

*NOTE: This equipment has been tested and found to comply with the limits for a Class A digital device, pursuant to part 15 of the FCC Rules. These limits are designed to provide reasonable protection against harmful interference when the equipment is operated in a commercial environment. This equipment generates, uses, and can radiate radio frequency energy and, if not installed and used in accordance with the instruction manual, may cause harmful interference to radio communications. Operation of this equipment in a residential area is likely to cause harmful interference in which case the user will be required to correct the interference at his own expense.*

#### **FCC Interference Statement for Class B EVM devices**

*NOTE: This equipment has been tested and found to comply with the limits for a Class B digital device, pursuant to part 15 of the FCC Rules. These limits are designed to provide reasonable protection against harmful interference in a residential installation. This equipment generates, uses and can radiate radio frequency energy and, if not installed and used in accordance with the instructions, may cause harmful interference to radio communications. However, there is no guarantee that interference will not occur in a particular installation. If this equipment does cause harmful interference to radio or television reception, which can be determined by turning the equipment off and on, the user is encouraged to try to correct the interference by one or more of the following measures:*

- Reorient or relocate the receiving antenna.
- Increase the separation between the equipment and receiver.
- Connect the equipment into an outlet on a circuit different from that to which the receiver is connected.
- Consult the dealer or an experienced radio/TV technician for help.

#### 3.2 Canada

##### 3.2.1 For EVMs issued with an Industry Canada Certificate of Conformance to RSS-210 or RSS-247

#### **Concerning EVMs Including Radio Transmitters:**

This device complies with Industry Canada license-exempt RSSs. Operation is subject to the following two conditions:

(1) this device may not cause interference, and (2) this device must accept any interference, including interference that may cause undesired operation of the device.

#### **Concernant les EVMs avec appareils radio:**

Le présent appareil est conforme aux CNR d'Industrie Canada applicables aux appareils radio exempts de licence. L'exploitation est autorisée aux deux conditions suivantes: (1) l'appareil ne doit pas produire de brouillage, et (2) l'utilisateur de l'appareil doit accepter tout brouillage radioélectrique subi, même si le brouillage est susceptible d'en compromettre le fonctionnement.

#### **Concerning EVMs Including Detachable Antennas:**

Under Industry Canada regulations, this radio transmitter may only operate using an antenna of a type and maximum (or lesser) gain approved for the transmitter by Industry Canada. To reduce potential radio interference to other users, the antenna type and its gain should be so chosen that the equivalent isotropically radiated power (e.i.r.p.) is not more than that necessary for successful communication. This radio transmitter has been approved by Industry Canada to operate with the antenna types listed in the user guide with the maximum permissible gain and required antenna impedance for each antenna type indicated. Antenna types not included in this list, having a gain greater than the maximum gain indicated for that type, are strictly prohibited for use with this device.

### Concernant les EVMs avec antennes détachables

Conformément à la réglementation d'Industrie Canada, le présent émetteur radio peut fonctionner avec une antenne d'un type et d'un gain maximal (ou inférieur) approuvé pour l'émetteur par Industrie Canada. Dans le but de réduire les risques de brouillage radioélectrique à l'intention des autres utilisateurs, il faut choisir le type d'antenne et son gain de sorte que la puissance isotrope rayonnée équivalente (p.i.r.e.) ne dépasse pas l'intensité nécessaire à l'établissement d'une communication satisfaisante. Le présent émetteur radio a été approuvé par Industrie Canada pour fonctionner avec les types d'antenne énumérés dans le manuel d'usage et ayant un gain admissible maximal et l'impédance requise pour chaque type d'antenne. Les types d'antenne non inclus dans cette liste, ou dont le gain est supérieur au gain maximal indiqué, sont strictement interdits pour l'exploitation de l'émetteur.

#### 3.3 Japan

3.3.1 *Notice for EVMs delivered in Japan:* Please see [http://www.tij.co.jp/llds/ti\\_ja/general/eStore/notice\\_01.page](http://www.tij.co.jp/llds/ti_ja/general/eStore/notice_01.page) 日本国内に輸入される評価用キット、ボードについては、次のところをご覧ください。

<https://www.ti.com/ja-jp/legal/notice-for-evaluation-kits-delivered-in-japan.html>

3.3.2 *Notice for Users of EVMs Considered "Radio Frequency Products" in Japan:* EVMs entering Japan may not be certified by TI as conforming to Technical Regulations of Radio Law of Japan.

If User uses EVMs in Japan, not certified to Technical Regulations of Radio Law of Japan, User is required to follow the instructions set forth by Radio Law of Japan, which includes, but is not limited to, the instructions below with respect to EVMs (which for the avoidance of doubt are stated strictly for convenience and should be verified by User):

1. Use EVMs in a shielded room or any other test facility as defined in the notification #173 issued by Ministry of Internal Affairs and Communications on March 28, 2006, based on Sub-section 1.1 of Article 6 of the Ministry's Rule for Enforcement of Radio Law of Japan,
2. Use EVMs only after User obtains the license of Test Radio Station as provided in Radio Law of Japan with respect to EVMs, or
3. Use of EVMs only after User obtains the Technical Regulations Conformity Certification as provided in Radio Law of Japan with respect to EVMs. Also, do not transfer EVMs, unless User gives the same notice above to the transferee. Please note that if User does not follow the instructions above, User will be subject to penalties of Radio Law of Japan.

【無線電波を送信する製品の開発キットをお使いになる際の注意事項】 開発キットの中には技術基準適合証明を受けていないものがあります。技術適合証明を受けていないものご使用に際しては、電波法遵守のため、以下のいずれかの措置を取っていただく必要がありますのでご注意ください。

1. 電波法施行規則第6条第1項第1号に基づく平成18年3月28日総務省告示第173号で定められた電波暗室等の試験設備でご使用いただく。
2. 実験局の免許を取得後ご使用いただく。
3. 技術基準適合証明を取得後ご使用いただく。

なお、本製品は、上記の「ご使用にあたっての注意」を譲渡先、移転先に通知しない限り、譲渡、移転できないものとします。

上記を遵守頂けない場合は、電波法の罰則が適用される可能性があることをご留意ください。日本テキサス・イ

ンスツルメンツ株式会社

東京都新宿区西新宿 6 丁目 2 4 番 1 号

西新宿三井ビル

3.3.3 *Notice for EVMs for Power Line Communication:* Please see [http://www.tij.co.jp/llds/ti\\_ja/general/eStore/notice\\_02.page](http://www.tij.co.jp/llds/ti_ja/general/eStore/notice_02.page)

電力線搬送波通信についての開発キットをお使いになる際の注意事項については、次のところをご覧ください。 <https://www.ti.com/ja-jp/legal/notice-for-evaluation-kits-for-power-line-communication.html>

#### 3.4 European Union

3.4.1 *For EVMs subject to EU Directive 2014/30/EU (Electromagnetic Compatibility Directive):*

This is a class A product intended for use in environments other than domestic environments that are connected to a low-voltage power-supply network that supplies buildings used for domestic purposes. In a domestic environment this product may cause radio interference in which case the user may be required to take adequate measures.

- 
- 4 *EVM Use Restrictions and Warnings:*
    - 4.1 EVMS ARE NOT FOR USE IN FUNCTIONAL SAFETY AND/OR SAFETY CRITICAL EVALUATIONS, INCLUDING BUT NOT LIMITED TO EVALUATIONS OF LIFE SUPPORT APPLICATIONS.
    - 4.2 User must read and apply the user guide and other available documentation provided by TI regarding the EVM prior to handling or using the EVM, including without limitation any warning or restriction notices. The notices contain important safety information related to, for example, temperatures and voltages.
    - 4.3 *Safety-Related Warnings and Restrictions:*
      - 4.3.1 User shall operate the EVM within TI's recommended specifications and environmental considerations stated in the user guide, other available documentation provided by TI, and any other applicable requirements and employ reasonable and customary safeguards. Exceeding the specified performance ratings and specifications (including but not limited to input and output voltage, current, power, and environmental ranges) for the EVM may cause personal injury or death, or property damage. If there are questions concerning performance ratings and specifications, User should contact a TI field representative prior to connecting interface electronics including input power and intended loads. Any loads applied outside of the specified output range may also result in unintended and/or inaccurate operation and/or possible permanent damage to the EVM and/or interface electronics. Please consult the EVM user guide prior to connecting any load to the EVM output. If there is uncertainty as to the load specification, please contact a TI field representative. During normal operation, even with the inputs and outputs kept within the specified allowable ranges, some circuit components may have elevated case temperatures. These components include but are not limited to linear regulators, switching transistors, pass transistors, current sense resistors, and heat sinks, which can be identified using the information in the associated documentation. When working with the EVM, please be aware that the EVM may become very warm.
      - 4.3.2 EVMs are intended solely for use by technically qualified, professional electronics experts who are familiar with the dangers and application risks associated with handling electrical mechanical components, systems, and subsystems. User assumes all responsibility and liability for proper and safe handling and use of the EVM by User or its employees, affiliates, contractors or designees. User assumes all responsibility and liability to ensure that any interfaces (electronic and/or mechanical) between the EVM and any human body are designed with suitable isolation and means to safely limit accessible leakage currents to minimize the risk of electrical shock hazard. User assumes all responsibility and liability for any improper or unsafe handling or use of the EVM by User or its employees, affiliates, contractors or designees.
    - 4.4 User assumes all responsibility and liability to determine whether the EVM is subject to any applicable international, federal, state, or local laws and regulations related to User's handling and use of the EVM and, if applicable, User assumes all responsibility and liability for compliance in all respects with such laws and regulations. User assumes all responsibility and liability for proper disposal and recycling of the EVM consistent with all applicable international, federal, state, and local requirements.
  5. *Accuracy of Information:* To the extent TI provides information on the availability and function of EVMs, TI attempts to be as accurate as possible. However, TI does not warrant the accuracy of EVM descriptions, EVM availability or other information on its websites as accurate, complete, reliable, current, or error-free.
  6. *Disclaimers:*
    - 6.1 EXCEPT AS SET FORTH ABOVE, EVMS AND ANY MATERIALS PROVIDED WITH THE EVM (INCLUDING, BUT NOT LIMITED TO, REFERENCE DESIGNS AND THE DESIGN OF THE EVM ITSELF) ARE PROVIDED "AS IS" AND "WITH ALL FAULTS." TI DISCLAIMS ALL OTHER WARRANTIES, EXPRESS OR IMPLIED, REGARDING SUCH ITEMS, INCLUDING BUT NOT LIMITED TO ANY EPIDEMIC FAILURE WARRANTY OR IMPLIED WARRANTIES OF MERCHANTABILITY OR FITNESS FOR A PARTICULAR PURPOSE OR NON-INFRINGEMENT OF ANY THIRD PARTY PATENTS, COPYRIGHTS, TRADE SECRETS OR OTHER INTELLECTUAL PROPERTY RIGHTS.
    - 6.2 EXCEPT FOR THE LIMITED RIGHT TO USE THE EVM SET FORTH HEREIN, NOTHING IN THESE TERMS SHALL BE CONSTRUED AS GRANTING OR CONFERRING ANY RIGHTS BY LICENSE, PATENT, OR ANY OTHER INDUSTRIAL OR INTELLECTUAL PROPERTY RIGHT OF TI, ITS SUPPLIERS/LICENSORS OR ANY OTHER THIRD PARTY, TO USE THE EVM IN ANY FINISHED END-USER OR READY-TO-USE FINAL PRODUCT, OR FOR ANY INVENTION, DISCOVERY OR IMPROVEMENT, REGARDLESS OF WHEN MADE, CONCEIVED OR ACQUIRED.
  7. *USER'S INDEMNITY OBLIGATIONS AND REPRESENTATIONS.* USER WILL DEFEND, INDEMNIFY AND HOLD TI, ITS LICENSORS AND THEIR REPRESENTATIVES HARMLESS FROM AND AGAINST ANY AND ALL CLAIMS, DAMAGES, LOSSES, EXPENSES, COSTS AND LIABILITIES (COLLECTIVELY, "CLAIMS") ARISING OUT OF OR IN CONNECTION WITH ANY HANDLING OR USE OF THE EVM THAT IS NOT IN ACCORDANCE WITH THESE TERMS. THIS OBLIGATION SHALL APPLY WHETHER CLAIMS ARISE UNDER STATUTE, REGULATION, OR THE LAW OF TORT, CONTRACT OR ANY OTHER LEGAL THEORY, AND EVEN IF THE EVM FAILS TO PERFORM AS DESCRIBED OR EXPECTED.
-

8. *Limitations on Damages and Liability:*

8.1 *General Limitations.* IN NO EVENT SHALL TI BE LIABLE FOR ANY SPECIAL, COLLATERAL, INDIRECT, PUNITIVE, INCIDENTAL, CONSEQUENTIAL, OR EXEMPLARY DAMAGES IN CONNECTION WITH OR ARISING OUT OF THESE TERMS OR THE USE OF THE EVMS , REGARDLESS OF WHETHER TI HAS BEEN ADVISED OF THE POSSIBILITY OF SUCH DAMAGES. EXCLUDED DAMAGES INCLUDE, BUT ARE NOT LIMITED TO, COST OF REMOVAL OR REINSTALLATION, ANCILLARY COSTS TO THE PROCUREMENT OF SUBSTITUTE GOODS OR SERVICES, RETESTING, OUTSIDE COMPUTER TIME, LABOR COSTS, LOSS OF GOODWILL, LOSS OF PROFITS, LOSS OF SAVINGS, LOSS OF USE, LOSS OF DATA, OR BUSINESS INTERRUPTION. NO CLAIM, SUIT OR ACTION SHALL BE BROUGHT AGAINST TI MORE THAN TWELVE (12) MONTHS AFTER THE EVENT THAT GAVE RISE TO THE CAUSE OF ACTION HAS OCCURRED.

8.2 *Specific Limitations.* IN NO EVENT SHALL TI'S AGGREGATE LIABILITY FROM ANY USE OF AN EVM PROVIDED HEREUNDER, INCLUDING FROM ANY WARRANTY, INDEMNITY OR OTHER OBLIGATION ARISING OUT OF OR IN CONNECTION WITH THESE TERMS, , EXCEED THE TOTAL AMOUNT PAID TO TI BY USER FOR THE PARTICULAR EVM(S) AT ISSUE DURING THE PRIOR TWELVE (12) MONTHS WITH RESPECT TO WHICH LOSSES OR DAMAGES ARE CLAIMED. THE EXISTENCE OF MORE THAN ONE CLAIM SHALL NOT ENLARGE OR EXTEND THIS LIMIT.

9. *Return Policy.* Except as otherwise provided, TI does not offer any refunds, returns, or exchanges. Furthermore, no return of EVM(s) will be accepted if the package has been opened and no return of the EVM(s) will be accepted if they are damaged or otherwise not in a resalable condition. If User feels it has been incorrectly charged for the EVM(s) it ordered or that delivery violates the applicable order, User should contact TI. All refunds will be made in full within thirty (30) working days from the return of the components(s), excluding any postage or packaging costs.

10. *Governing Law:* These terms and conditions shall be governed by and interpreted in accordance with the laws of the State of Texas, without reference to conflict-of-laws principles. User agrees that non-exclusive jurisdiction for any dispute arising out of or relating to these terms and conditions lies within courts located in the State of Texas and consents to venue in Dallas County, Texas. Notwithstanding the foregoing, any judgment may be enforced in any United States or foreign court, and TI may seek injunctive relief in any United States or foreign court.

Mailing Address: Texas Instruments, Post Office Box 655303, Dallas, Texas 75265  
Copyright © 2023, Texas Instruments Incorporated

## IMPORTANT NOTICE AND DISCLAIMER

TI PROVIDES TECHNICAL AND RELIABILITY DATA (INCLUDING DATA SHEETS), DESIGN RESOURCES (INCLUDING REFERENCE DESIGNS), APPLICATION OR OTHER DESIGN ADVICE, WEB TOOLS, SAFETY INFORMATION, AND OTHER RESOURCES "AS IS" AND WITH ALL FAULTS, AND DISCLAIMS ALL WARRANTIES, EXPRESS AND IMPLIED, INCLUDING WITHOUT LIMITATION ANY IMPLIED WARRANTIES OF MERCHANTABILITY, FITNESS FOR A PARTICULAR PURPOSE OR NON-INFRINGEMENT OF THIRD PARTY INTELLECTUAL PROPERTY RIGHTS.

These resources are intended for skilled developers designing with TI products. You are solely responsible for (1) selecting the appropriate TI products for your application, (2) designing, validating and testing your application, and (3) ensuring your application meets applicable standards, and any other safety, security, regulatory or other requirements.

These resources are subject to change without notice. TI grants you permission to use these resources only for development of an application that uses the TI products described in the resource. Other reproduction and display of these resources is prohibited. No license is granted to any other TI intellectual property right or to any third party intellectual property right. TI disclaims responsibility for, and you will fully indemnify TI and its representatives against, any claims, damages, costs, losses, and liabilities arising out of your use of these resources.

TI's products are provided subject to [TI's Terms of Sale](#) or other applicable terms available either on [ti.com](https://www.ti.com) or provided in conjunction with such TI products. TI's provision of these resources does not expand or otherwise alter TI's applicable warranties or warranty disclaimers for TI products.

TI objects to and rejects any additional or different terms you may have proposed.

Mailing Address: Texas Instruments, Post Office Box 655303, Dallas, Texas 75265  
Copyright © 2024, Texas Instruments Incorporated