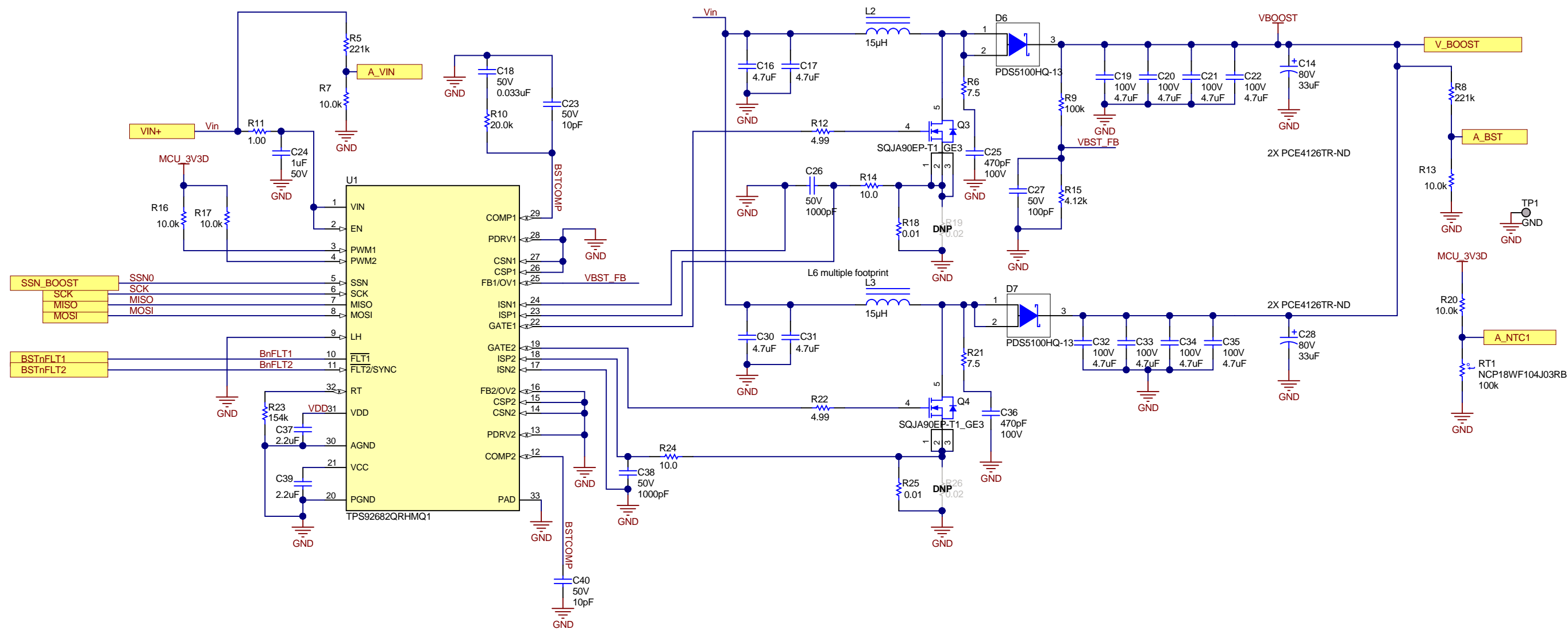


Texas Instruments and/or its licensors do not warrant the accuracy or completeness of this specification or any information contained therein. Texas Instruments and/or its licensors do not warrant that this design will meet the specifications, will be suitable for your application or fit for any particular purpose, or will operate in an implementation. Texas Instruments and/or its licensors do not warrant that the design is production worthy. You should completely validate and test your design implementation to confirm the system functionality for your application.

Orderable: ChangeMe in variant	Designed for: Public Release	Mod. Date: 10/10/2019
TID #: N/A	Project Title: Change in menu Project Project Options Parameters	
Number: TIDA-050030	Rev: E2	Sheet Title:
SVN Rev: Not in version control	Assembly Variant: 001	Sheet: 1 of 8
Drawn By:	File: TIDA-050030_Battery_SchDoc	Size: B
Engineer: Nederbragt, Irwin	Contact: http://www.ti.com/support	

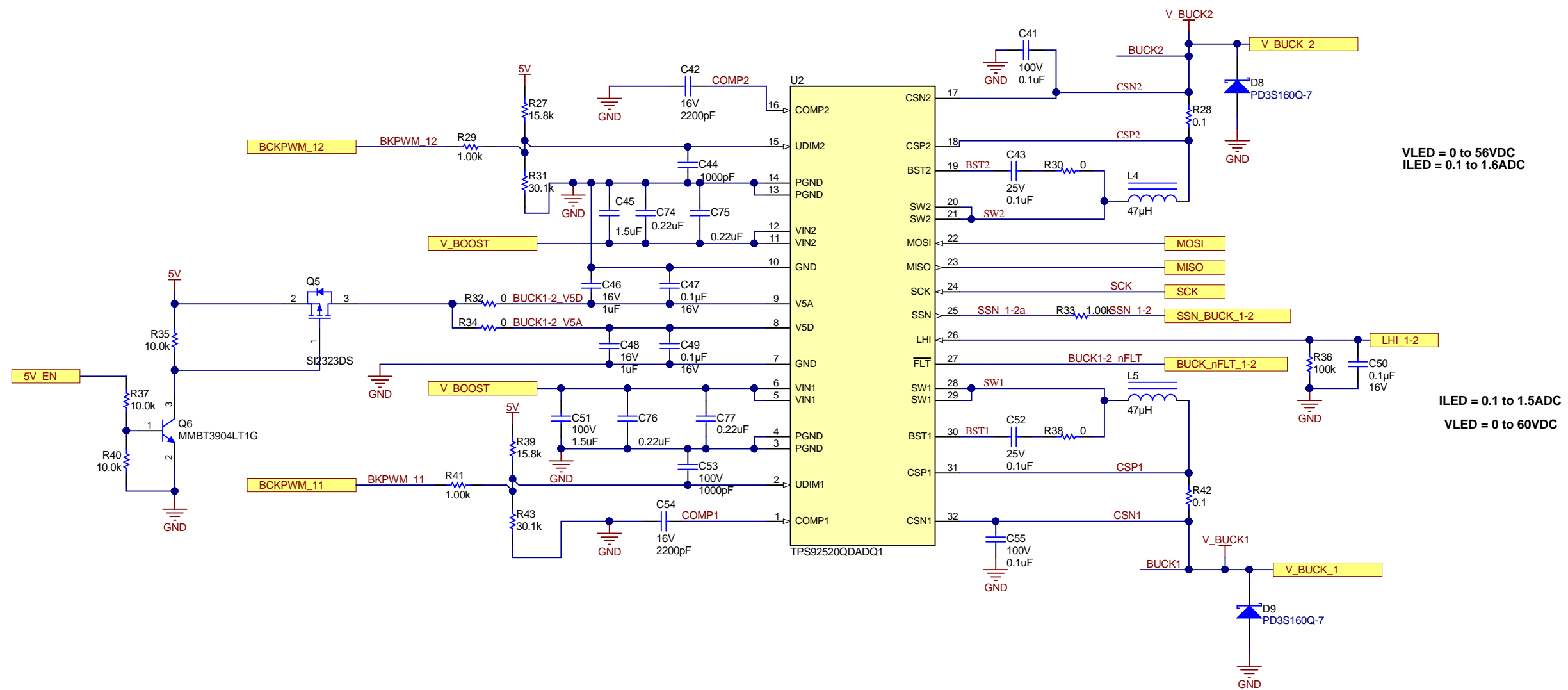


BOOST LED VOLTAGE REGULATOR



Texas Instruments and/or its licensors do not warrant the accuracy or completeness of this specification or any information contained therein. Texas Instruments and/or its licensors do not warrant that this design will meet the specifications, will be suitable for your application or fit for any particular purpose, or will operate in an implementation. Texas Instruments and/or its licensors do not warrant that the design is production worthy. You should completely validate and test your design implementation to confirm the system functionality for your application.

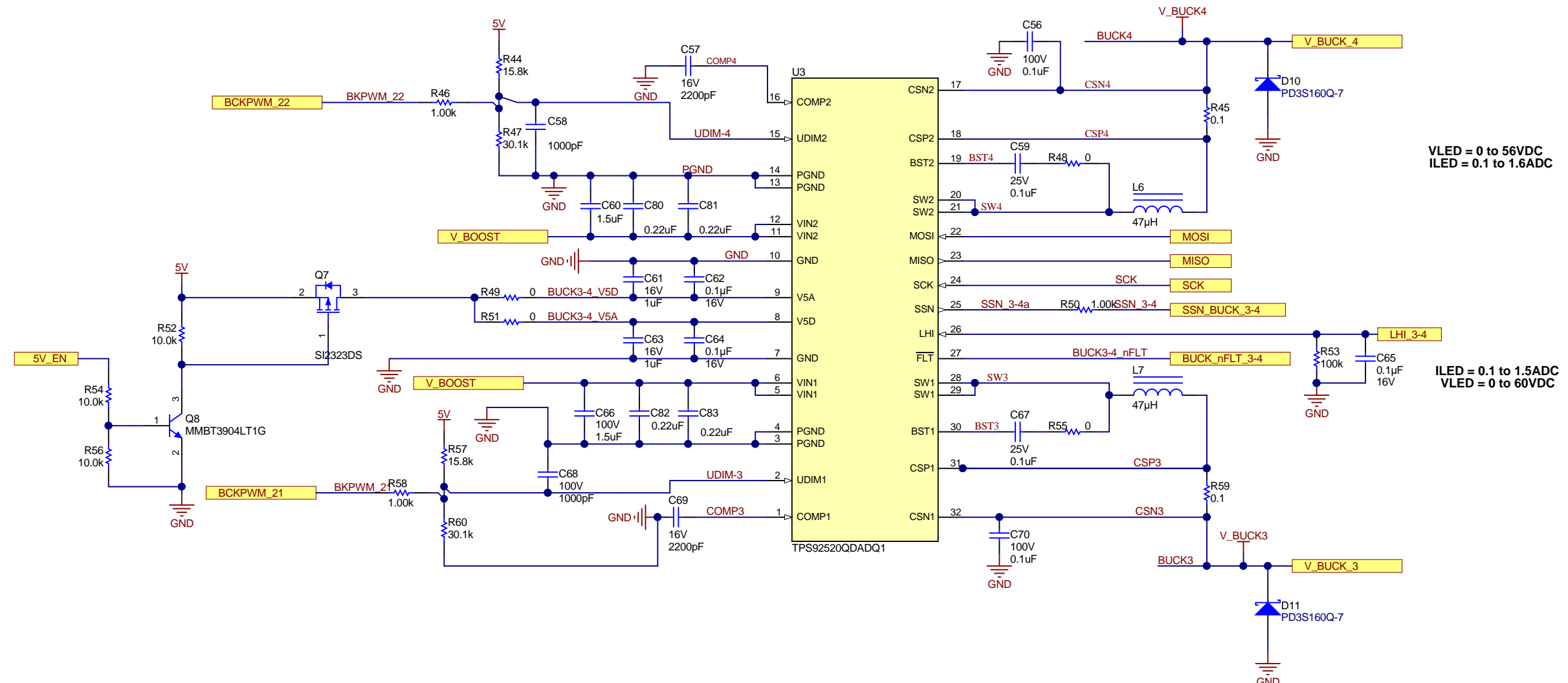
Orderable: ChangeMe in variant	Designed for: Public Release	Mod. Date: 10/10/2019
TID #: N/A	Project Title: Change in menu Project Project Options Parameters	
Number: TIDA-050030	Rev: E2	Sheet Title: Boost-to-Battery LED Driver
SVN Rev: Not in version control	Assembly Variant: 001	Sheet: 2 of 8
Drawn By:	File: TIDA-050030_BOOST_SchDoc	Size: B
Engineer: Nederbragt, Irwin	Contact: http://www.ti.com/support	



Orderable: ChangeMe in variant	Designed for: Public Release	Mod. Date: 10/10/2019
TID #: N/A	Project Title: Change in menu Project\Project Options\Parameters	
Number: TIDA-050030	Rev: E2	Sheet Title: Bucks 01-04
SVN Rev: Not in version control	Assembly Variant: 001	Sheet: 3 of 8
Drawn By: Kerry Murphy	File: TIDA-050030_BUCK_1.SchDoc	Size: B
Engineer: Nederbragt, Irwin	Contact: http://www.ti.com/support	

Texas Instruments and/or its licensors do not warrant the accuracy or completeness of this specification or any information contained therein. Texas Instruments and/or its licensors do not warrant that this design will meet the specifications, will be suitable for your application or fit for any particular purpose, or will operate in an implementation. Texas Instruments and/or its licensors do not warrant that the design is production worthy. You should completely validate and test your design implementation to confirm the system functionality for your application.





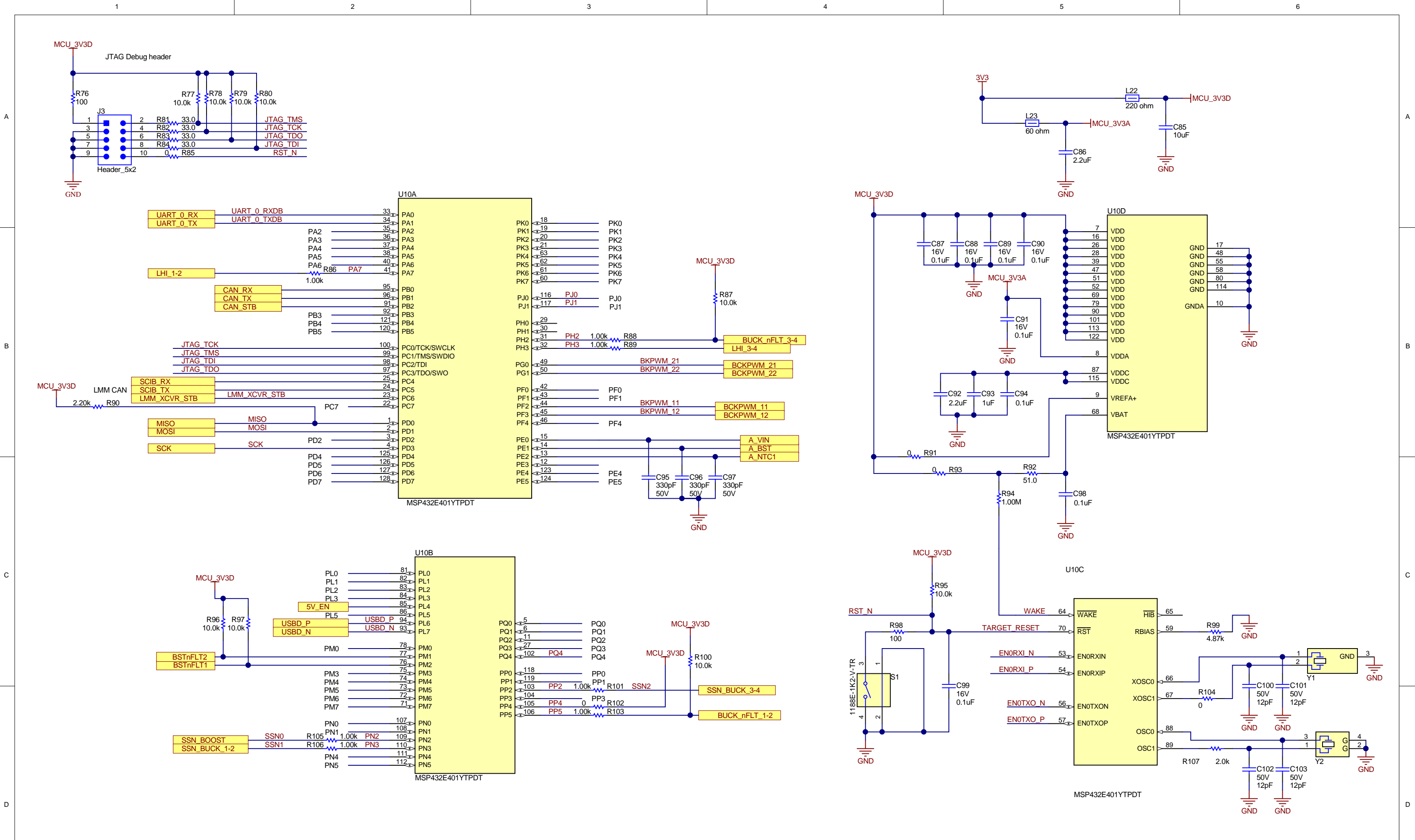
VLED = 0 to 56VDC
ILED = 0.1 to 1.6ADC

ILED = 0.1 to 1.5ADC
VLED = 0 to 60VDC

Texas Instruments and/or its licensors do not warrant the accuracy or completeness of this specification or any information contained therein. Texas Instruments and/or its licensors do not warrant that this design will meet the specifications, will be suitable for your application or fit for any particular purpose, or will operate in an implementation. Texas Instruments and/or its licensors do not warrant that the design is production worthy. You should completely validate and test your design implementation to confirm the system functionality for your application.

Orderable: ChangeMe in variant	Designed for: Public Release	Mod. Date: 10/10/2019
TID #: N/A	Project Title: Change in menu Project/Project Options/Parameters	
Number: TIDA-050030	Rev: E2	Sheet Title: Bucks 05-08
SVN Rev: Not in version control	Assembly Variant: 001	Sheet: 4 of 8
Drawn By: Kerry Murphy	File: TIDA-050030_BUCK_2_SchDoc	Size: B
Engineer: Nederbragt, Irwin	Contact: http://www.ti.com/support	

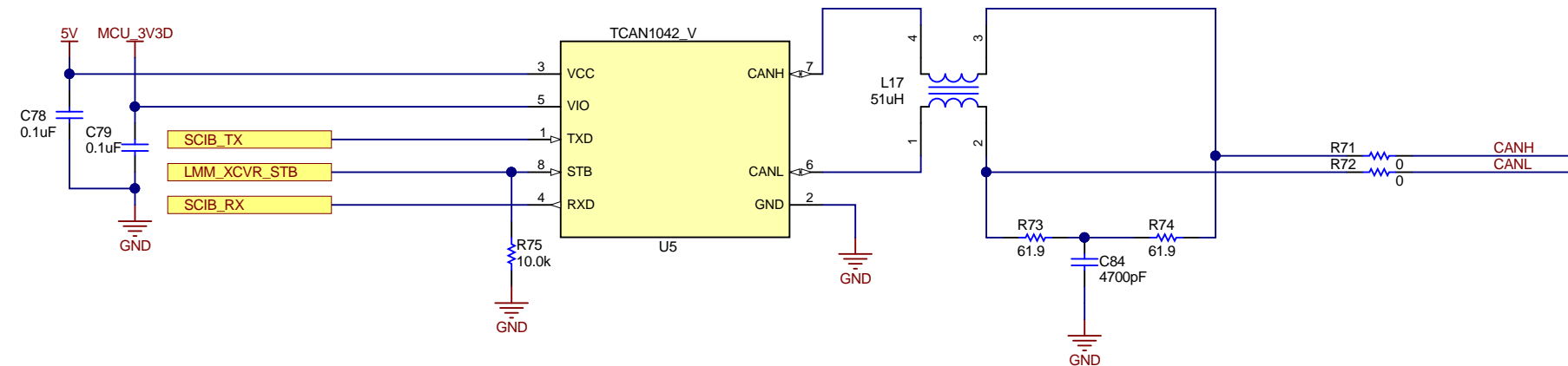
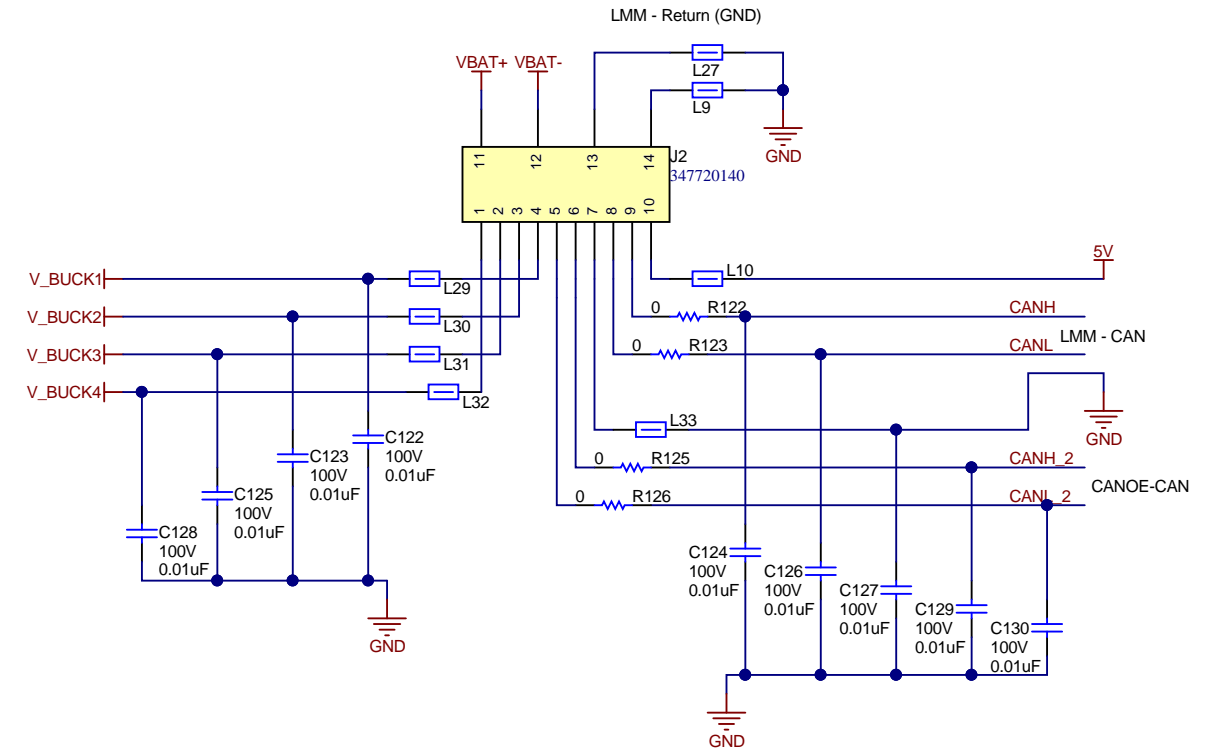
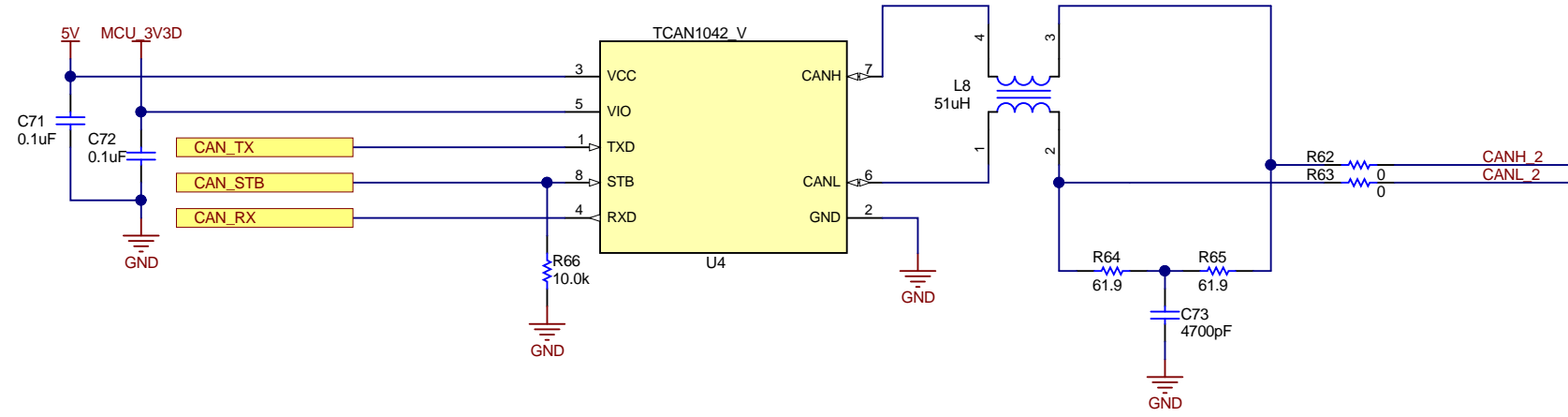




Texas Instruments and/or its licensors do not warrant the accuracy or completeness of this specification or any information contained therein. Texas Instruments and/or its licensors do not warrant that this design will meet the specifications, will be suitable for your application or fit for any particular purpose, or will operate in an implementation. Texas Instruments and/or its licensors do not warrant that the design is production worthy. You should completely validate and test your design implementation to confirm the system functionality for your application.

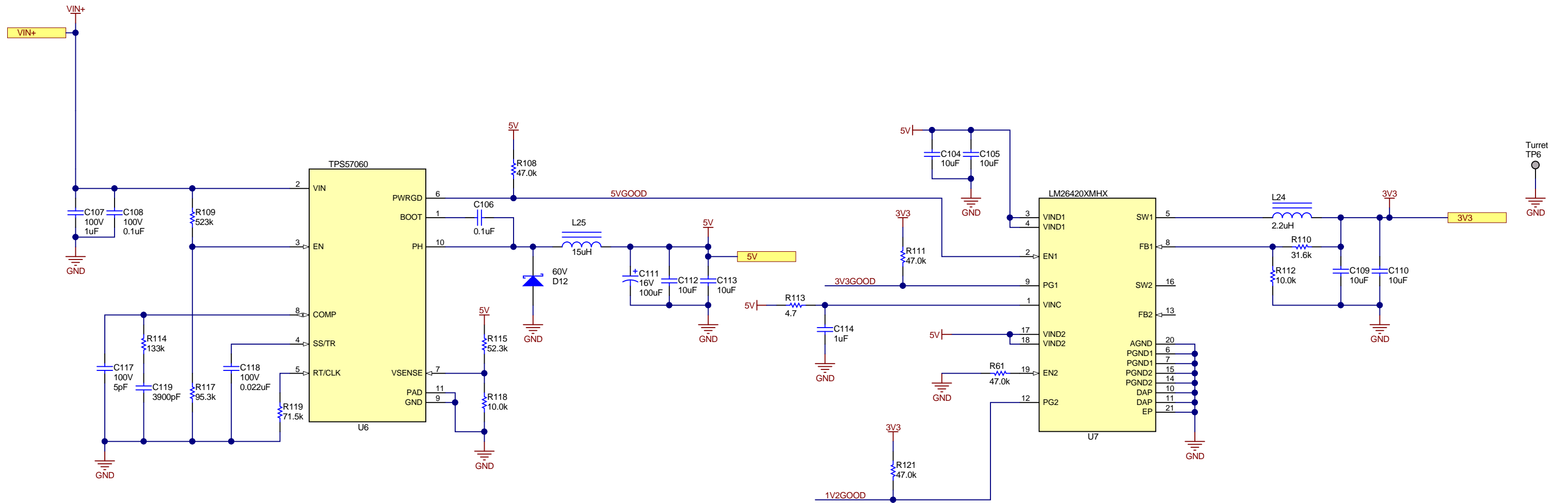
Orderable: ChangeMe in variant	Designed for: Public Release	Mod. Date: 8/15/2019
TID #: N/A	Project Title: Change in menu Project Parameters	
Number: TIDA-050030	Rev: E2	Sheet Title: MCU
SVN Rev: Not in version control	Assembly Variant: 001	Sheet: 5 of 8
Drawn By: Kerry Murphy	File: TIDA-050030_MCU_MSP432E4.SchDoc	Size: B
Engineer: Nederbragt, Irwin	Contact: http://www.ti.com/support	





Texas Instruments and/or its licensors do not warrant the accuracy or completeness of this specification or any information contained therein. Texas Instruments and/or its licensors do not warrant that this design will meet the specifications, will be suitable for your application or fit for any particular purpose, or will operate in an implementation. Texas Instruments and/or its licensors do not warrant that the design is production worthy. You should completely validate and test your design implementation to confirm the system functionality for your application.

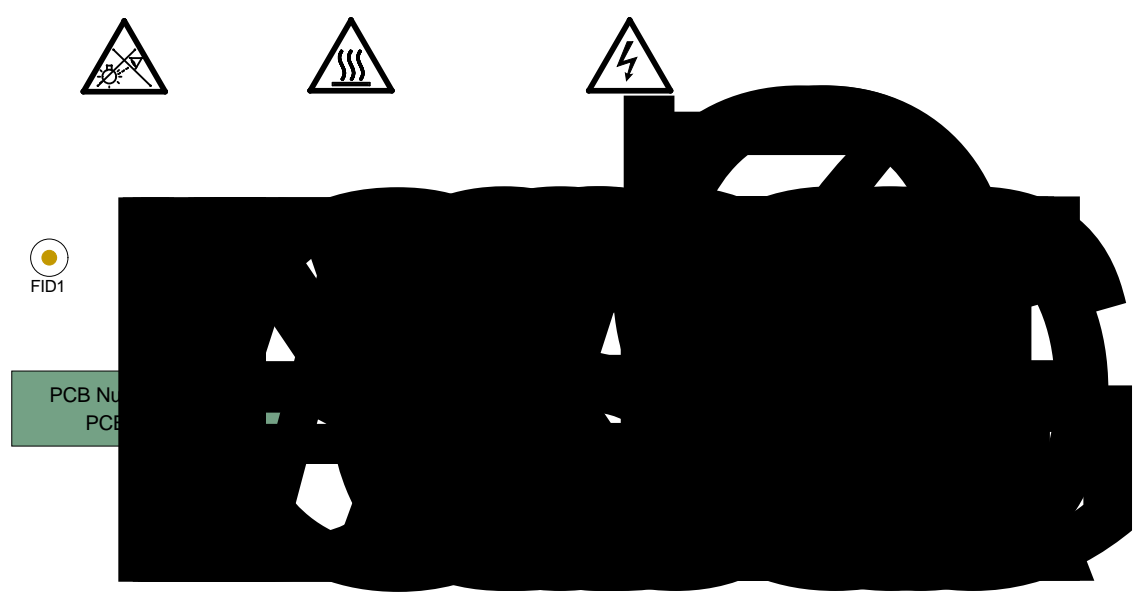





Orderable: ChangeMe in variant	Designed for: Public Release	Mod. Date: 10/10/2019
TID #: N/A	Project Title: Change in menu Project\Project Options\Parameters	
Number: TIDA-050030	Rev: E2	Sheet Title: MCU Power 2
SVN Rev: Not in version control	Assembly Variant: 001	Sheet: 7 of 8
Drawn By: Kerry Murphy	File: TIDA-050030_PwrSupplies.SchDoc	Size: B
Engineer: Nederbragt, Irwin	Contact: http://www.ti.com/support	

Texas Instruments and/or its licensors do not warrant the accuracy or completeness of this specification or any information contained therein. Texas Instruments and/or its licensors do not warrant that this design will meet the specifications, will be suitable for your application or fit for any particular purpose, or will operate in an implementation. Texas Instruments and/or its licensors do not warrant that the design is production worthy. You should completely validate and test your design implementation to confirm the system functionality for your application.





Texas Instruments and/or its licensors do not warrant the accuracy or completeness of this specification or any information contained therein. Texas Instruments and/or its licensors do not warrant that this design will meet the specifications, will be suitable for your application or fit for any particular purpose, or will operate in an implementation. Texas Instruments and/or its licensors do not warrant that the design is production worthy. You should completely validate and test your design implementation to confirm the system functionality for your application.

Orderable: ChangeMe in variant	Designed for: Public Release	Mod. Date: 10/10/2019	 TEXAS INSTRUMENTS http://www.ti.com <small>© Texas Instruments 2018</small>
TID #: N/A	Project Title: Change in menu Project\Project Options\Parameters		
Number: TIDA-050030	Rev: E2	Sheet Title: Hardware	
SVN Rev: Not in version control	Assembly Variant: 001	Sheet: 8 of 8	
Drawn By: Kerry Murphy	File: TIDA-050030_Hardware.SchDoc	Size: B	
Engineer: Nederbragt, Irwin	Contact: http://www.ti.com/support		

IMPORTANT NOTICE AND DISCLAIMER

TI PROVIDES TECHNICAL AND RELIABILITY DATA (INCLUDING DATASHEETS), DESIGN RESOURCES (INCLUDING REFERENCE DESIGNS), APPLICATION OR OTHER DESIGN ADVICE, WEB TOOLS, SAFETY INFORMATION, AND OTHER RESOURCES "AS IS" AND WITH ALL FAULTS, AND DISCLAIMS ALL WARRANTIES, EXPRESS AND IMPLIED, INCLUDING WITHOUT LIMITATION ANY IMPLIED WARRANTIES OF MERCHANTABILITY, FITNESS FOR A PARTICULAR PURPOSE OR NON-INFRINGEMENT OF THIRD PARTY INTELLECTUAL PROPERTY RIGHTS.

These resources are intended for skilled developers designing with TI products. You are solely responsible for (1) selecting the appropriate TI products for your application, (2) designing, validating and testing your application, and (3) ensuring your application meets applicable standards, and any other safety, security, or other requirements. These resources are subject to change without notice. TI grants you permission to use these resources only for development of an application that uses the TI products described in the resource. Other reproduction and display of these resources is prohibited. No license is granted to any other TI intellectual property right or to any third party intellectual property right. TI disclaims responsibility for, and you will fully indemnify TI and its representatives against, any claims, damages, costs, losses, and liabilities arising out of your use of these resources.

TI's products are provided subject to TI's Terms of Sale (www.ti.com/legal/termsofsale.html) or other applicable terms available either on ti.com or provided in conjunction with such TI products. TI's provision of these resources does not expand or otherwise alter TI's applicable warranties or warranty disclaimers for TI products.

Mailing Address: Texas Instruments, Post Office Box 655303, Dallas, Texas 75265
Copyright © 2019, Texas Instruments Incorporated