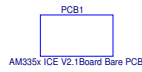


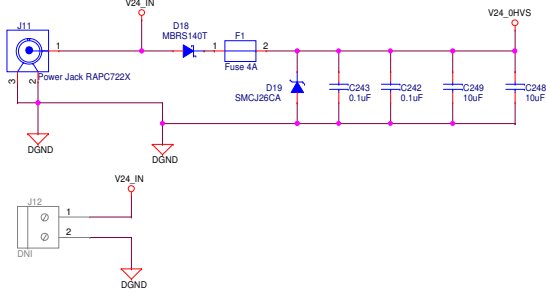
# AM335X\_ICE Board

- See the Hardware Implementation Document for design details
- See the Hardware User Guide for board details
- See the PCB Build Specification for PCB Details

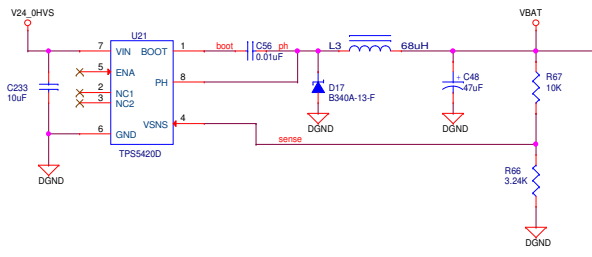


<b>ARM MPU</b>	<b>Texas Instruments, Inc.</b>			
	ARM MPU Business Unit 12500 TI Blvd Dallas, TX 75243			
	TMDXICE3359			
	Title			
Size	Document Number	Modified By:	Rev	
C	AM335X_ICE_3H0013_2V1A.dsn	Rachna	2.1A	
Date:	Wednesday, April 17, 2013	Sheet: 1	of 15	

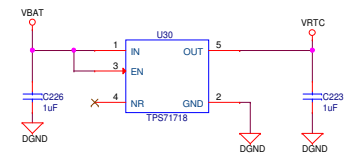
**Main Power Input**



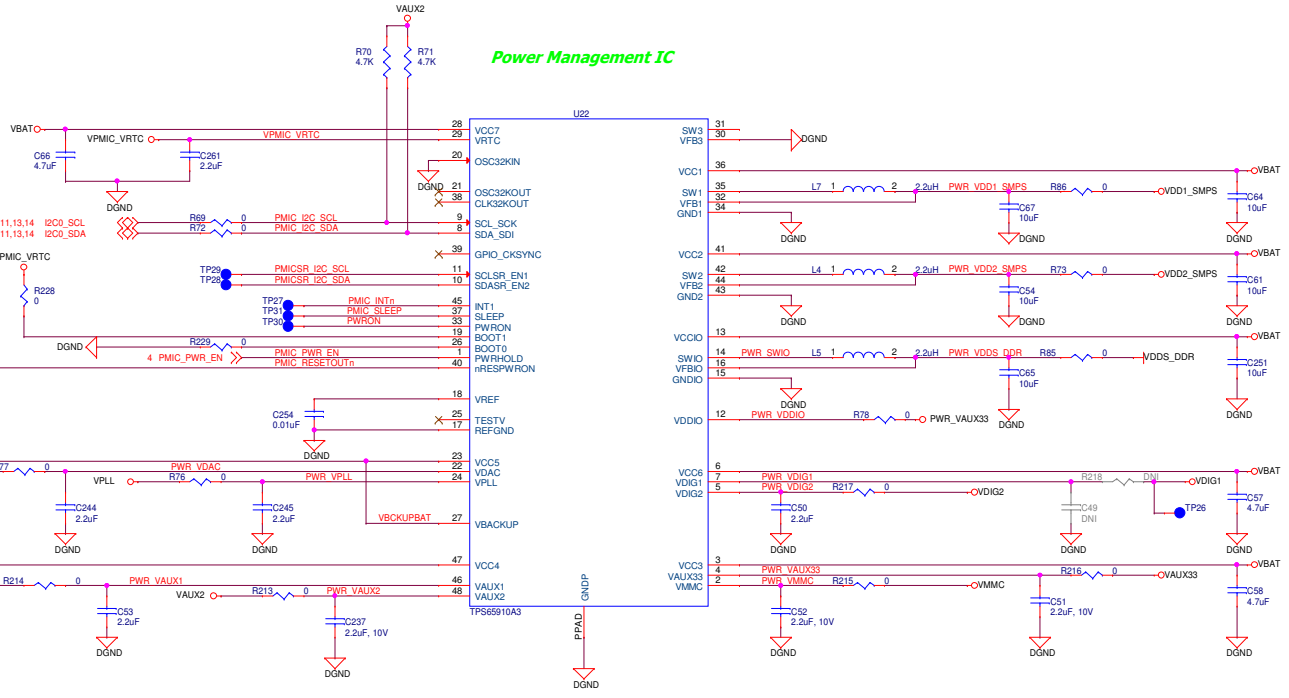
**24V to 5V DC - DC CONVERTER**



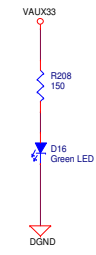
**VRTC REGULATOR**



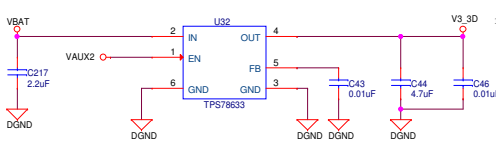
**Power Management IC**



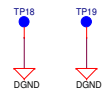
**Power On LED**



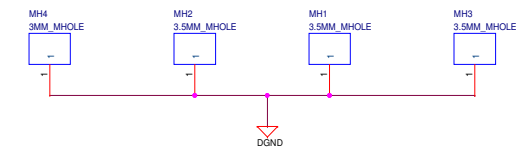
**LDO for V3\_3D**



**GND PROBING POINTS**



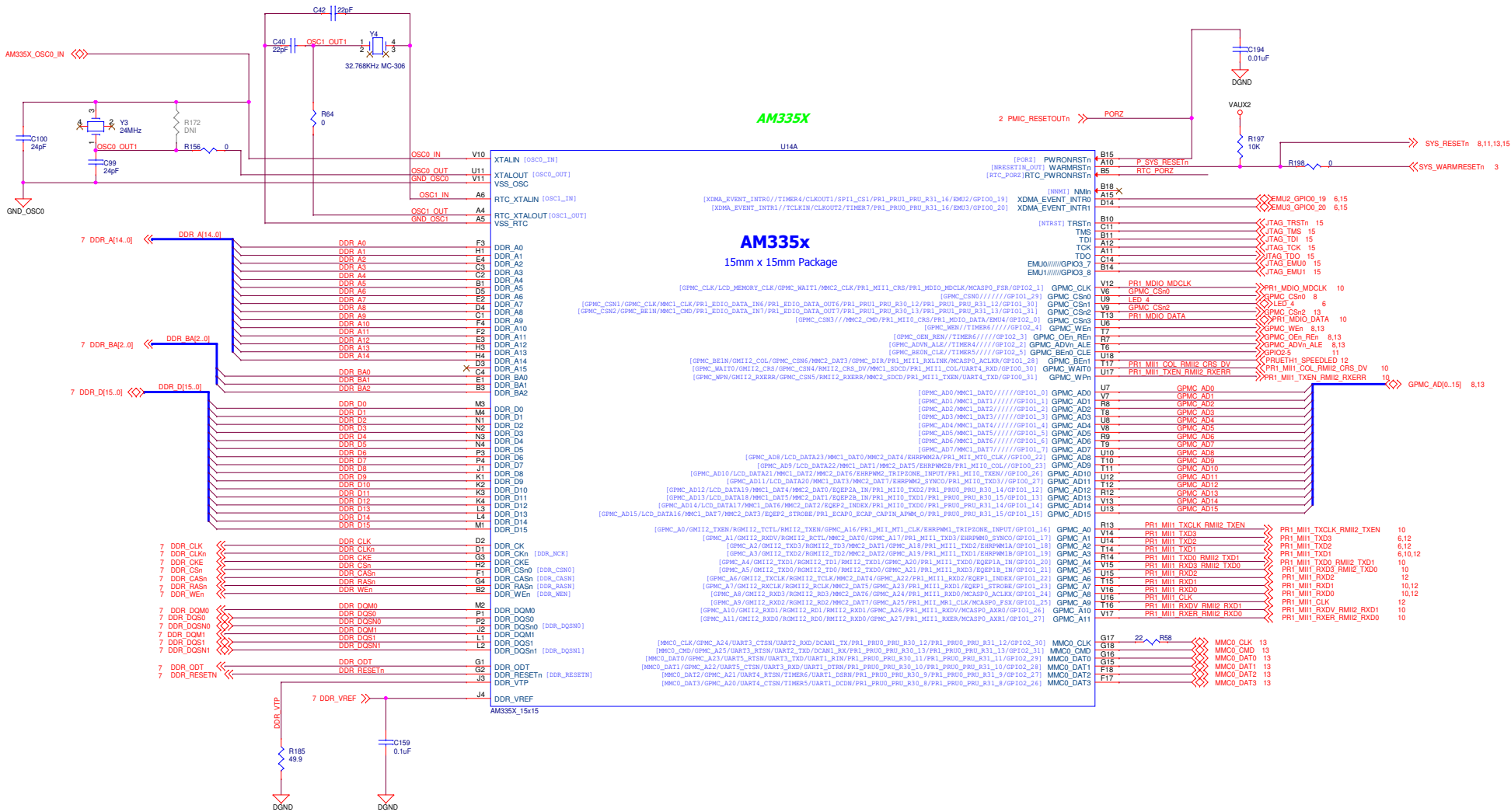
**MOUNT HOLES**



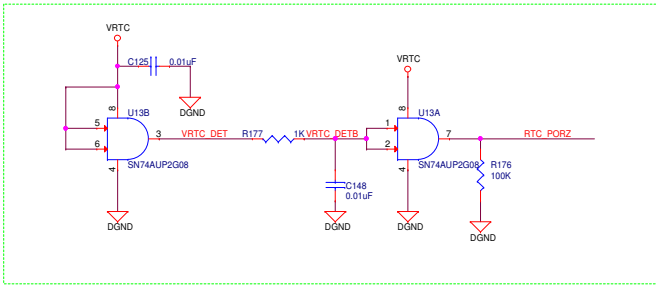
**ARM MPU** Texas Instruments, Inc.  
 ARM MPU Business Unit  
 15200 TI Blvd  
 Dallas, TX 75243

**TMDXICE3359**  
 Power Management

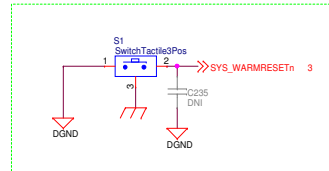
Size C	Document Number AM335X_JCE_3H0013_2V1A.dsn	Modified By: Radha	Rev 2.1A
Date: Wednesday, April 17, 2013		Sheet: 2 of 15	



**RTC POWER ON RESET**



**WARM RESET SWITCH**



ICEV2

**ARM MPU**

**Texas Instruments, Inc.**  
ARM MPU Business Unit  
12500 TI Blvd  
Dallas, TX 75243

**TEXAS INSTRUMENTS**

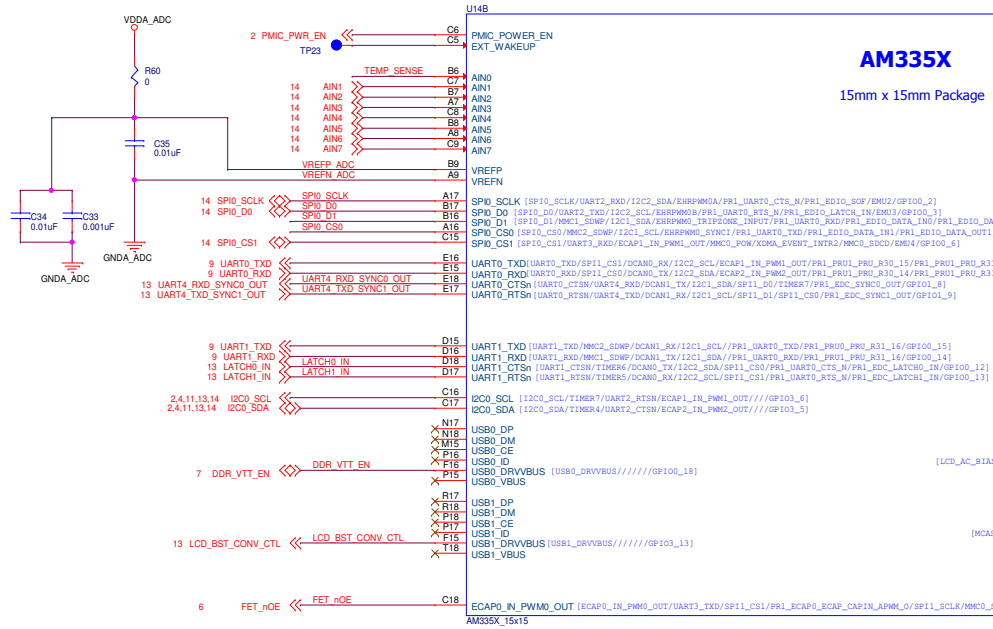
**TMDXICE3559**  
AM335X 1 OF 3

Size	Document Number	Modified By:	Rev
C	AM335X_ICE_3H0013_2V1A.dsn	Rachna	2.1A

Date: Wednesday, April 17, 2013 Sheet: 3 of 15

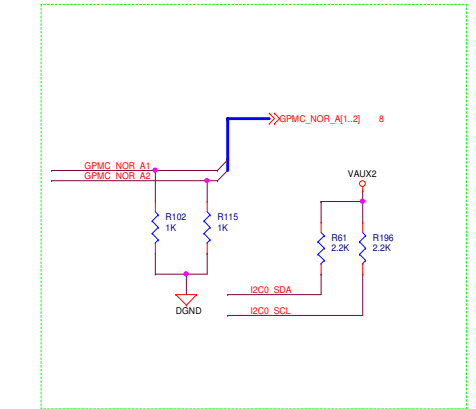
AM335X

AM335X  
15mm x 15mm Package

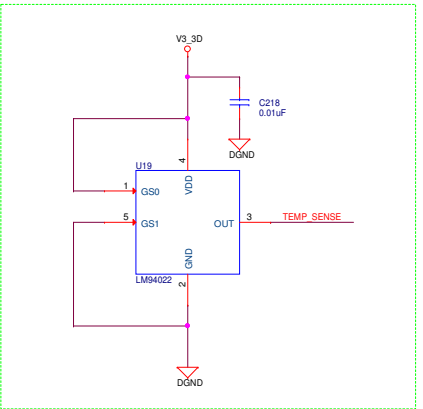


Pin	Signal	Function	Pin	Signal	Function
K18	LED_3	LED 3	R1	PR1_MII_MTD_CLK	PR1_MII_MTD_CLK
K17	RMII_TXD0	RMII_TXD0	R2	PR1_MII_TXEN	PR1_MII_TXEN
K16	RMII_TXD1	RMII_TXD1	R3	PR1_MII_TXDS	PR1_MII_TXDS
K15	LED_1	LED 1	R4	PR1_MII_TXD0	PR1_MII_TXD0
L18	LED_2	LED 2	T1	PR1_MII_TXD1	PR1_MII_TXD1
H16	RMII_TXEN	RMII_TXEN	T2	PR1_MII_TXD2	PR1_MII_TXD2
H17	RMII_CRS_DV	RMII_CRS_DV	T3	PR1_MII_TXD3	PR1_MII_TXD3
H18	RMII_CRS_DV	RMII_CRS_DV	T4	GPIO2_12	GPIO2_12
H17	AM335X_REFCLK_RMII2	AM335X_REFCLK_RMII2	T5	GPIO2_13	GPIO2_13
M11_COL	MUX_MII_CTL1	MUX_MII_CTL1	T6	PR1_MII_RXD0	PR1_MII_RXD0
M11_RXCLK	MUX_MII_CTL1	MUX_MII_CTL1	T7	PR1_MII_RXD1	PR1_MII_RXD1
M11_RXD0	RMII_RXD0	RMII_RXD0	T8	PR1_MII_RXD2	PR1_MII_RXD2
M11_RXD1	RMII_RXD1	RMII_RXD1	T9	PR1_MII_RXD3	PR1_MII_RXD3
M11_RXD2	RMII_RXD2	RMII_RXD2	T10	PR1_MII_RXD4	PR1_MII_RXD4
M11_RXD3	RMII_RXD3	RMII_RXD3	T11	PR1_MII_RXD5	PR1_MII_RXD5
M11_RXD4	RMII_RXD4	RMII_RXD4	T12	PR1_MII_RXD6	PR1_MII_RXD6
M11_RXD5	RMII_RXD5	RMII_RXD5	T13	PR1_MII_RXD7	PR1_MII_RXD7
M11_RXERR	RMII_RXERR	RMII_RXERR	T14	PR1_MII_RXD8	PR1_MII_RXD8
M11_RXD6	RMII_RXD6	RMII_RXD6	T15	PR1_MII_RXD9	PR1_MII_RXD9
M11_RXD7	RMII_RXD7	RMII_RXD7	T16	PR1_MII_RXD10	PR1_MII_RXD10
M11_RXD8	RMII_RXD8	RMII_RXD8	T17	PR1_MII_RXD11	PR1_MII_RXD11
M11_RXD9	RMII_RXD9	RMII_RXD9	T18	PR1_MII_RXD12	PR1_MII_RXD12
M11_RXD10	RMII_RXD10	RMII_RXD10	T19	PR1_MII_RXD13	PR1_MII_RXD13
M11_RXD11	RMII_RXD11	RMII_RXD11	T20	PR1_MII_RXD14	PR1_MII_RXD14
M11_RXD12	RMII_RXD12	RMII_RXD12	T21	PR1_MII_RXD15	PR1_MII_RXD15
M11_REFCLK	AM335X_REFCLK_RMII1	AM335X_REFCLK_RMII1	T22	PR1_MII_RXD16	PR1_MII_RXD16
M10_CLK	MDIO_CLK	MDIO_CLK	T23	PR1_MII_RXD17	PR1_MII_RXD17
M10_DATA	MDIO_DATA	MDIO_DATA	T24	PR1_MII_RXD18	PR1_MII_RXD18
M10_DATA	MDIO_DATA	MDIO_DATA	T25	PR1_MII_RXD19	PR1_MII_RXD19
M10_DATA	MDIO_DATA	MDIO_DATA	T26	PR1_MII_RXD20	PR1_MII_RXD20
M10_DATA	MDIO_DATA	MDIO_DATA	T27	PR1_MII_RXD21	PR1_MII_RXD21
M10_DATA	MDIO_DATA	MDIO_DATA	T28	PR1_MII_RXD22	PR1_MII_RXD22
M10_DATA	MDIO_DATA	MDIO_DATA	T29	PR1_MII_RXD23	PR1_MII_RXD23
M10_DATA	MDIO_DATA	MDIO_DATA	T30	PR1_MII_RXD24	PR1_MII_RXD24
M10_DATA	MDIO_DATA	MDIO_DATA	T31	PR1_MII_RXD25	PR1_MII_RXD25
M10_DATA	MDIO_DATA	MDIO_DATA	T32	PR1_MII_RXD26	PR1_MII_RXD26
M10_DATA	MDIO_DATA	MDIO_DATA	T33	PR1_MII_RXD27	PR1_MII_RXD27
M10_DATA	MDIO_DATA	MDIO_DATA	T34	PR1_MII_RXD28	PR1_MII_RXD28
M10_DATA	MDIO_DATA	MDIO_DATA	T35	PR1_MII_RXD29	PR1_MII_RXD29
M10_DATA	MDIO_DATA	MDIO_DATA	T36	PR1_MII_RXD30	PR1_MII_RXD30
M10_DATA	MDIO_DATA	MDIO_DATA	T37	PR1_MII_RXD31	PR1_MII_RXD31
M10_DATA	MDIO_DATA	MDIO_DATA	T38	PR1_MII_RXD32	PR1_MII_RXD32
M10_DATA	MDIO_DATA	MDIO_DATA	T39	PR1_MII_RXD33	PR1_MII_RXD33
M10_DATA	MDIO_DATA	MDIO_DATA	T40	PR1_MII_RXD34	PR1_MII_RXD34
M10_DATA	MDIO_DATA	MDIO_DATA	T41	PR1_MII_RXD35	PR1_MII_RXD35
M10_DATA	MDIO_DATA	MDIO_DATA	T42	PR1_MII_RXD36	PR1_MII_RXD36
M10_DATA	MDIO_DATA	MDIO_DATA	T43	PR1_MII_RXD37	PR1_MII_RXD37
M10_DATA	MDIO_DATA	MDIO_DATA	T44	PR1_MII_RXD38	PR1_MII_RXD38
M10_DATA	MDIO_DATA	MDIO_DATA	T45	PR1_MII_RXD39	PR1_MII_RXD39
M10_DATA	MDIO_DATA	MDIO_DATA	T46	PR1_MII_RXD40	PR1_MII_RXD40
M10_DATA	MDIO_DATA	MDIO_DATA	T47	PR1_MII_RXD41	PR1_MII_RXD41
M10_DATA	MDIO_DATA	MDIO_DATA	T48	PR1_MII_RXD42	PR1_MII_RXD42
M10_DATA	MDIO_DATA	MDIO_DATA	T49	PR1_MII_RXD43	PR1_MII_RXD43
M10_DATA	MDIO_DATA	MDIO_DATA	T50	PR1_MII_RXD44	PR1_MII_RXD44
M10_DATA	MDIO_DATA	MDIO_DATA	T51	PR1_MII_RXD45	PR1_MII_RXD45
M10_DATA	MDIO_DATA	MDIO_DATA	T52	PR1_MII_RXD46	PR1_MII_RXD46
M10_DATA	MDIO_DATA	MDIO_DATA	T53	PR1_MII_RXD47	PR1_MII_RXD47
M10_DATA	MDIO_DATA	MDIO_DATA	T54	PR1_MII_RXD48	PR1_MII_RXD48
M10_DATA	MDIO_DATA	MDIO_DATA	T55	PR1_MII_RXD49	PR1_MII_RXD49
M10_DATA	MDIO_DATA	MDIO_DATA	T56	PR1_MII_RXD50	PR1_MII_RXD50
M10_DATA	MDIO_DATA	MDIO_DATA	T57	PR1_MII_RXD51	PR1_MII_RXD51
M10_DATA	MDIO_DATA	MDIO_DATA	T58	PR1_MII_RXD52	PR1_MII_RXD52
M10_DATA	MDIO_DATA	MDIO_DATA	T59	PR1_MII_RXD53	PR1_MII_RXD53
M10_DATA	MDIO_DATA	MDIO_DATA	T60	PR1_MII_RXD54	PR1_MII_RXD54
M10_DATA	MDIO_DATA	MDIO_DATA	T61	PR1_MII_RXD55	PR1_MII_RXD55
M10_DATA	MDIO_DATA	MDIO_DATA	T62	PR1_MII_RXD56	PR1_MII_RXD56
M10_DATA	MDIO_DATA	MDIO_DATA	T63	PR1_MII_RXD57	PR1_MII_RXD57
M10_DATA	MDIO_DATA	MDIO_DATA	T64	PR1_MII_RXD58	PR1_MII_RXD58
M10_DATA	MDIO_DATA	MDIO_DATA	T65	PR1_MII_RXD59	PR1_MII_RXD59
M10_DATA	MDIO_DATA	MDIO_DATA	T66	PR1_MII_RXD60	PR1_MII_RXD60
M10_DATA	MDIO_DATA	MDIO_DATA	T67	PR1_MII_RXD61	PR1_MII_RXD61
M10_DATA	MDIO_DATA	MDIO_DATA	T68	PR1_MII_RXD62	PR1_MII_RXD62
M10_DATA	MDIO_DATA	MDIO_DATA	T69	PR1_MII_RXD63	PR1_MII_RXD63
M10_DATA	MDIO_DATA	MDIO_DATA	T70	PR1_MII_RXD64	PR1_MII_RXD64
M10_DATA	MDIO_DATA	MDIO_DATA	T71	PR1_MII_RXD65	PR1_MII_RXD65
M10_DATA	MDIO_DATA	MDIO_DATA	T72	PR1_MII_RXD66	PR1_MII_RXD66
M10_DATA	MDIO_DATA	MDIO_DATA	T73	PR1_MII_RXD67	PR1_MII_RXD67
M10_DATA	MDIO_DATA	MDIO_DATA	T74	PR1_MII_RXD68	PR1_MII_RXD68
M10_DATA	MDIO_DATA	MDIO_DATA	T75	PR1_MII_RXD69	PR1_MII_RXD69
M10_DATA	MDIO_DATA	MDIO_DATA	T76	PR1_MII_RXD70	PR1_MII_RXD70
M10_DATA	MDIO_DATA	MDIO_DATA	T77	PR1_MII_RXD71	PR1_MII_RXD71
M10_DATA	MDIO_DATA	MDIO_DATA	T78	PR1_MII_RXD72	PR1_MII_RXD72
M10_DATA	MDIO_DATA	MDIO_DATA	T79	PR1_MII_RXD73	PR1_MII_RXD73
M10_DATA	MDIO_DATA	MDIO_DATA	T80	PR1_MII_RXD74	PR1_MII_RXD74
M10_DATA	MDIO_DATA	MDIO_DATA	T81	PR1_MII_RXD75	PR1_MII_RXD75
M10_DATA	MDIO_DATA	MDIO_DATA	T82	PR1_MII_RXD76	PR1_MII_RXD76
M10_DATA	MDIO_DATA	MDIO_DATA	T83	PR1_MII_RXD77	PR1_MII_RXD77
M10_DATA	MDIO_DATA	MDIO_DATA	T84	PR1_MII_RXD78	PR1_MII_RXD78
M10_DATA	MDIO_DATA	MDIO_DATA	T85	PR1_MII_RXD79	PR1_MII_RXD79
M10_DATA	MDIO_DATA	MDIO_DATA	T86	PR1_MII_RXD80	PR1_MII_RXD80
M10_DATA	MDIO_DATA	MDIO_DATA	T87	PR1_MII_RXD81	PR1_MII_RXD81
M10_DATA	MDIO_DATA	MDIO_DATA	T88	PR1_MII_RXD82	PR1_MII_RXD82
M10_DATA	MDIO_DATA	MDIO_DATA	T89	PR1_MII_RXD83	PR1_MII_RXD83
M10_DATA	MDIO_DATA	MDIO_DATA	T90	PR1_MII_RXD84	PR1_MII_RXD84
M10_DATA	MDIO_DATA	MDIO_DATA	T91	PR1_MII_RXD85	PR1_MII_RXD85
M10_DATA	MDIO_DATA	MDIO_DATA	T92	PR1_MII_RXD86	PR1_MII_RXD86
M10_DATA	MDIO_DATA	MDIO_DATA	T93	PR1_MII_RXD87	PR1_MII_RXD87
M10_DATA	MDIO_DATA	MDIO_DATA	T94	PR1_MII_RXD88	PR1_MII_RXD88
M10_DATA	MDIO_DATA	MDIO_DATA	T95	PR1_MII_RXD89	PR1_MII_RXD89
M10_DATA	MDIO_DATA	MDIO_DATA	T96	PR1_MII_RXD90	PR1_MII_RXD90
M10_DATA	MDIO_DATA	MDIO_DATA	T97	PR1_MII_RXD91	PR1_MII_RXD91
M10_DATA	MDIO_DATA	MDIO_DATA	T98	PR1_MII_RXD92	PR1_MII_RXD92
M10_DATA	MDIO_DATA	MDIO_DATA	T99	PR1_MII_RXD93	PR1_MII_RXD93
M10_DATA	MDIO_DATA	MDIO_DATA	T100	PR1_MII_RXD94	PR1_MII_RXD94
M10_DATA	MDIO_DATA	MDIO_DATA	T101	PR1_MII_RXD95	PR1_MII_RXD95
M10_DATA	MDIO_DATA	MDIO_DATA	T102	PR1_MII_RXD96	PR1_MII_RXD96
M10_DATA	MDIO_DATA	MDIO_DATA	T103	PR1_MII_RXD97	PR1_MII_RXD97
M10_DATA	MDIO_DATA	MDIO_DATA	T104	PR1_MII_RXD98	PR1_MII_RXD98
M10_DATA	MDIO_DATA	MDIO_DATA	T105	PR1_MII_RXD99	PR1_MII_RXD99
M10_DATA	MDIO_DATA	MDIO_DATA	T106	PR1_MII_RXD100	PR1_MII_RXD100

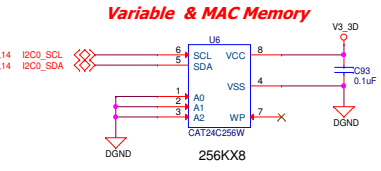
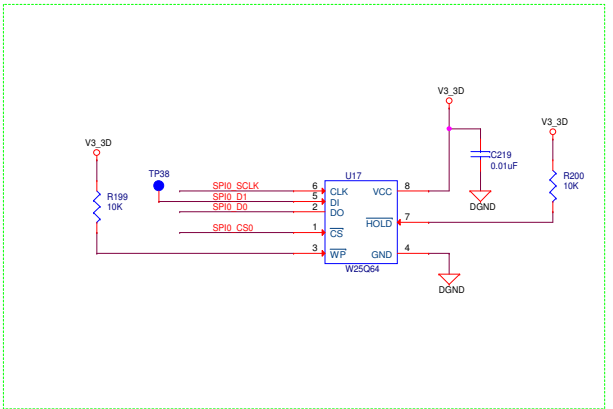
TEMPERATURE SENSOR



SPI FLASH



BOARD ID EEPROM



**ARM MPU** Texas Instruments, Inc.  
ARM MPU Business Unit  
1500 TI Blvd  
Dallas, TX 75243

**TEXAS INSTRUMENTS**

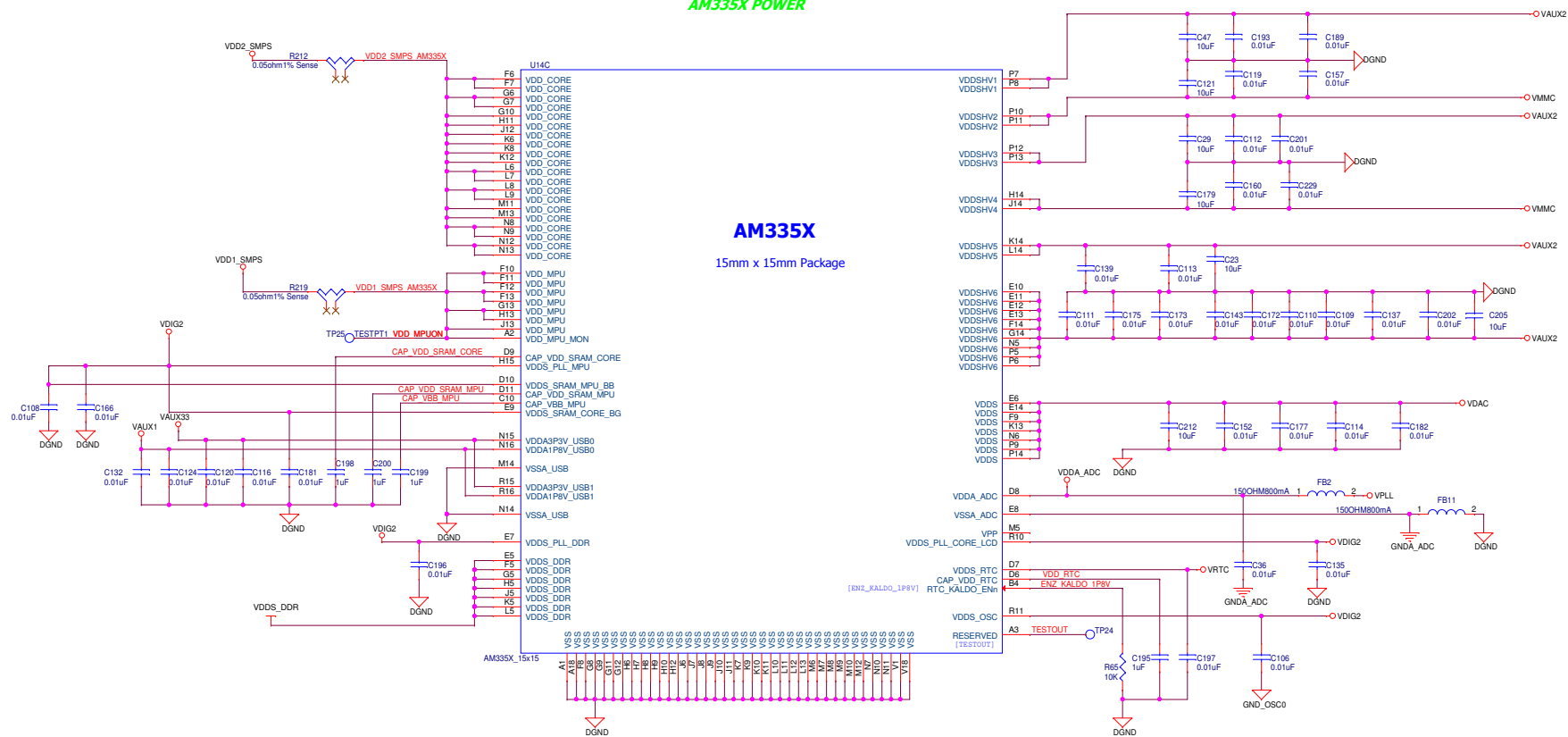
TMDXICE3359  
AM335X 2 Of 3

Size C Document Number AM335X\_ICE\_3H0013\_2V1A.dsn Modified By: Radna Rev 2.1A  
Date: Wednesday, April 17, 2013 Sheet: 4 of 15

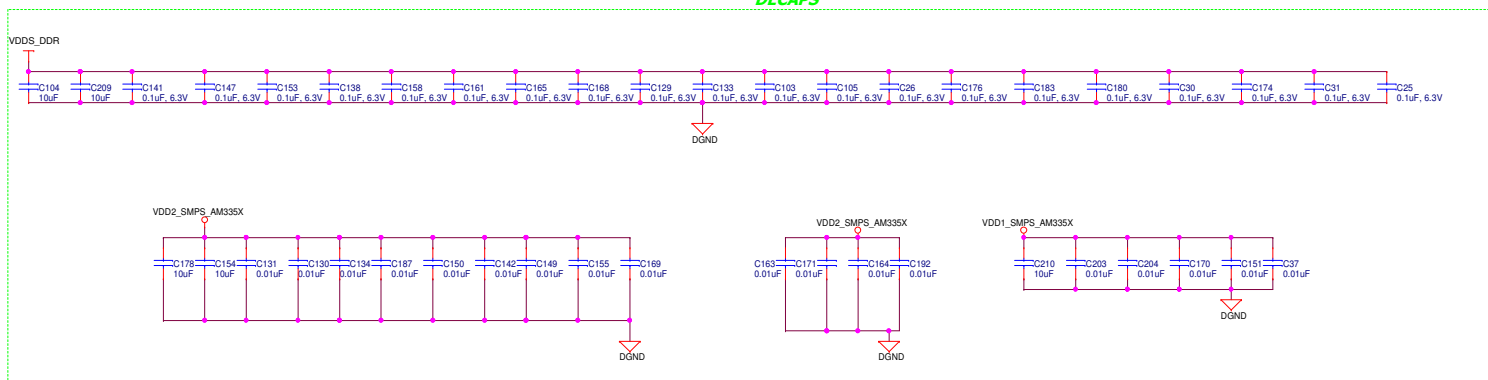
### AM335X POWER

### AM335X

15mm x 15mm Package

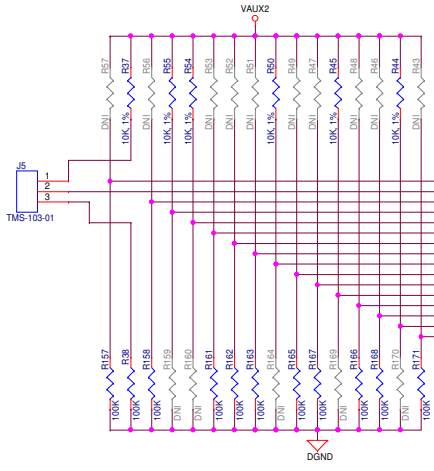


### DECAPS



<b>ARM MPU</b>	<b>Texas Instruments, Inc.</b>	
	ARM MPU Business Unit 15501 TI Blvd Dallas, TX 75243	
	<b>TMDXICE3359</b>	
	AM335X 3 OF 3	
	Size C Document Number AM335X_ICE_3H0013_2V1A.dsn Modified By: Radha Rev 2.1A Date: Wednesday, April 17, 2013 Sheet: 5 of 15	

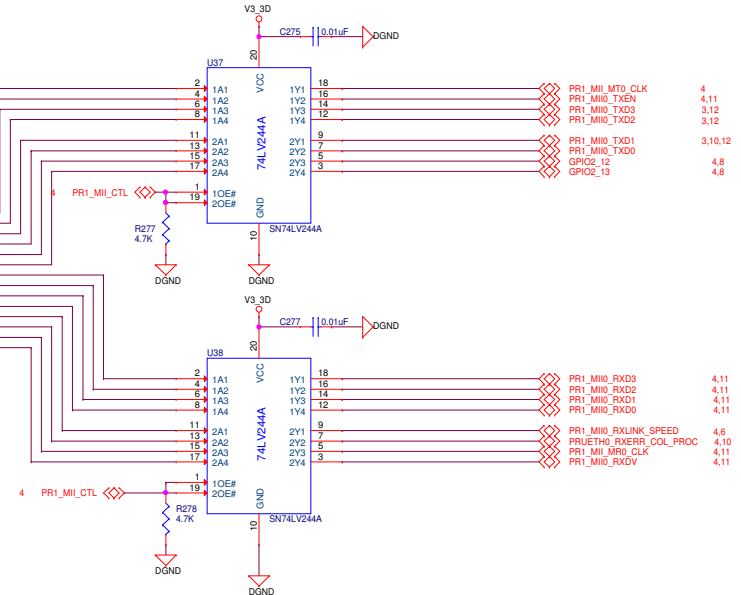
### BOOT CONFIGURATION



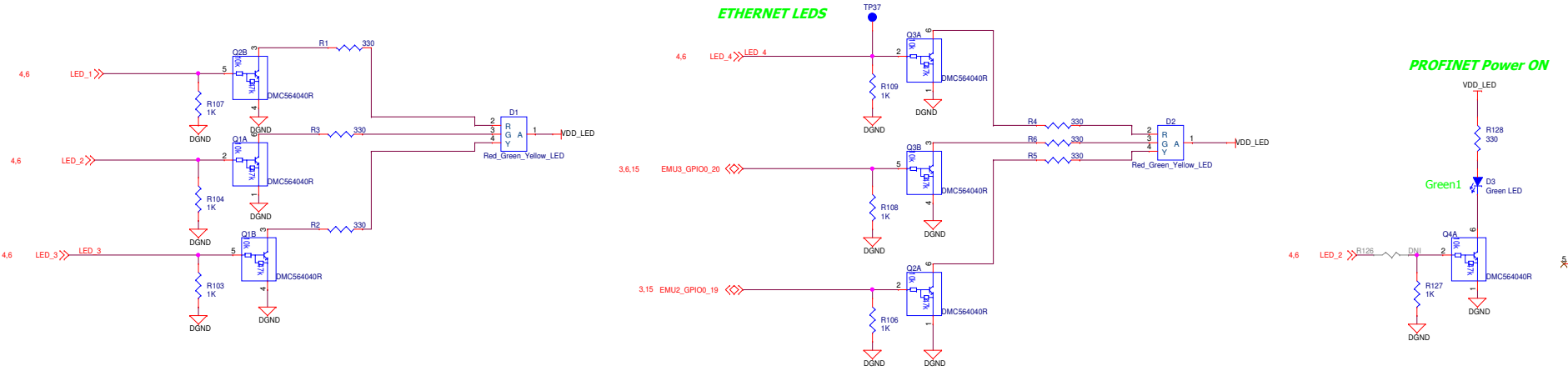
Check Hardware User's Guide for Boot Sequence Details

- SYS\_BOOT0
- SYS\_BOOT1
- SYS\_BOOT2
- SYS\_BOOT3
- SYS\_BOOT4
- SYS\_BOOT5
- SYS\_BOOT6
- SYS\_BOOT7
- SYS\_BOOT8
- SYS\_BOOT9
- SYS\_BOOT10
- SYS\_BOOT11
- SYS\_BOOT12
- SYS\_BOOT13
- SYS\_BOOT14
- SYS\_BOOT15

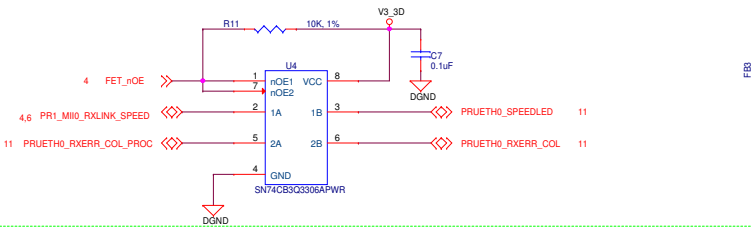
### SYS BOOT BUFFERS



### ETHERNET LEDS

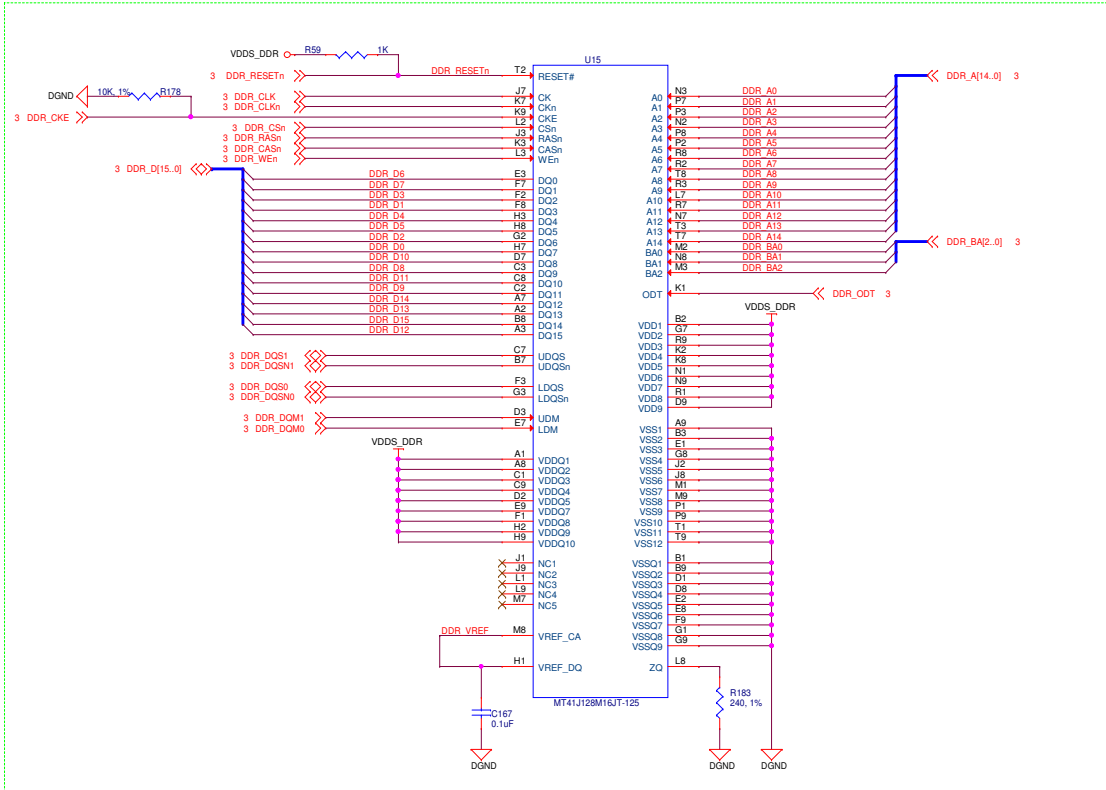


### FET SWITCH

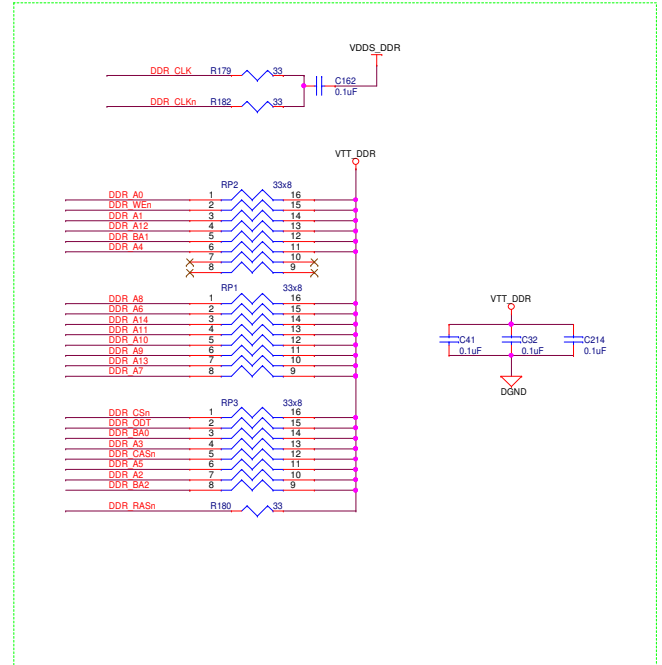


<b>ARM MPU</b>	<b>Texas Instruments, Inc.</b>		<b>TEXAS INSTRUMENTS</b>
	ARM MPU Business Unit 12500 TI Blvd Dallas, TX 75243		
	TMDXICE3359 SYSBOOT CONFIG & ETHERCAT LEDS		
	Size: C	Document Number: AM335X_ICE_3H0913_2V1A.dsn	Modified By: Ruchra
Date: Wednesday, April 17, 2013	Sheet: 6 of 15		

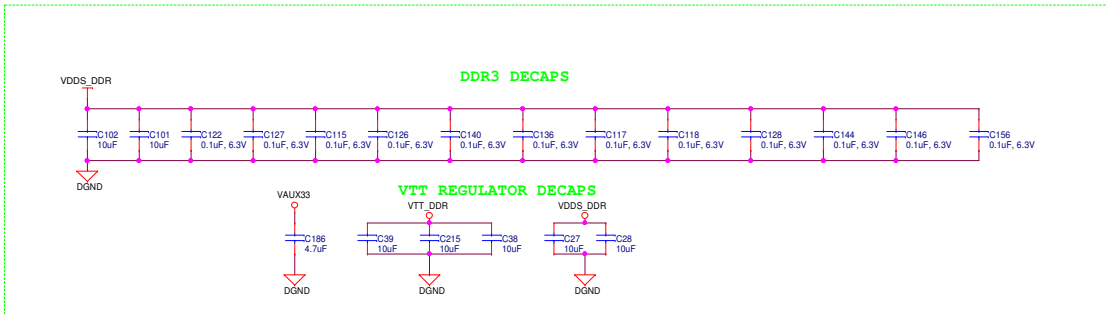
### DDR3 SDRAM



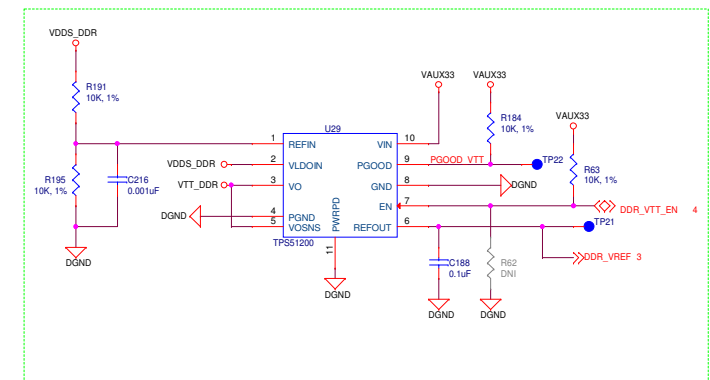
### Terminations



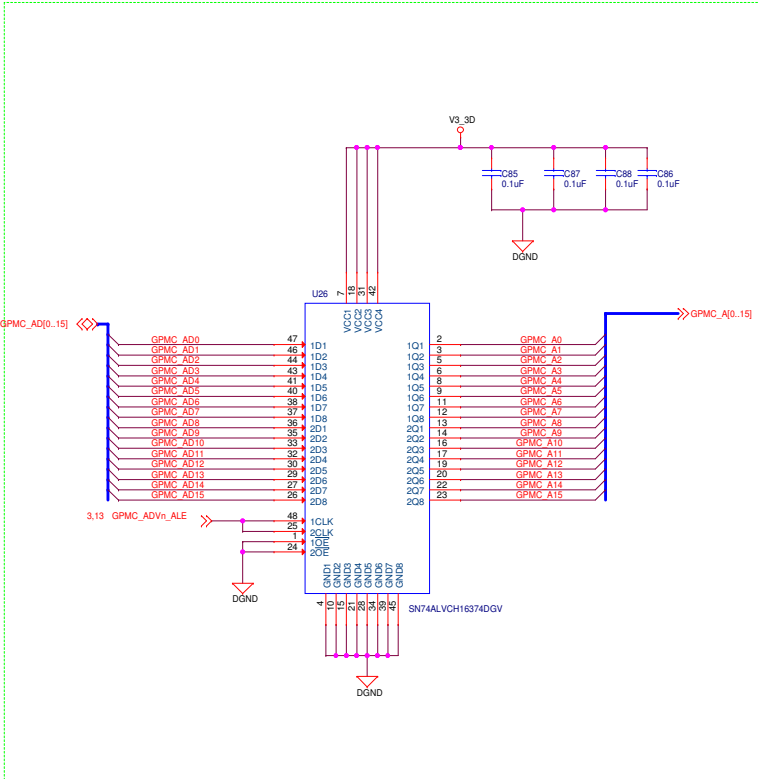
### DECAPS



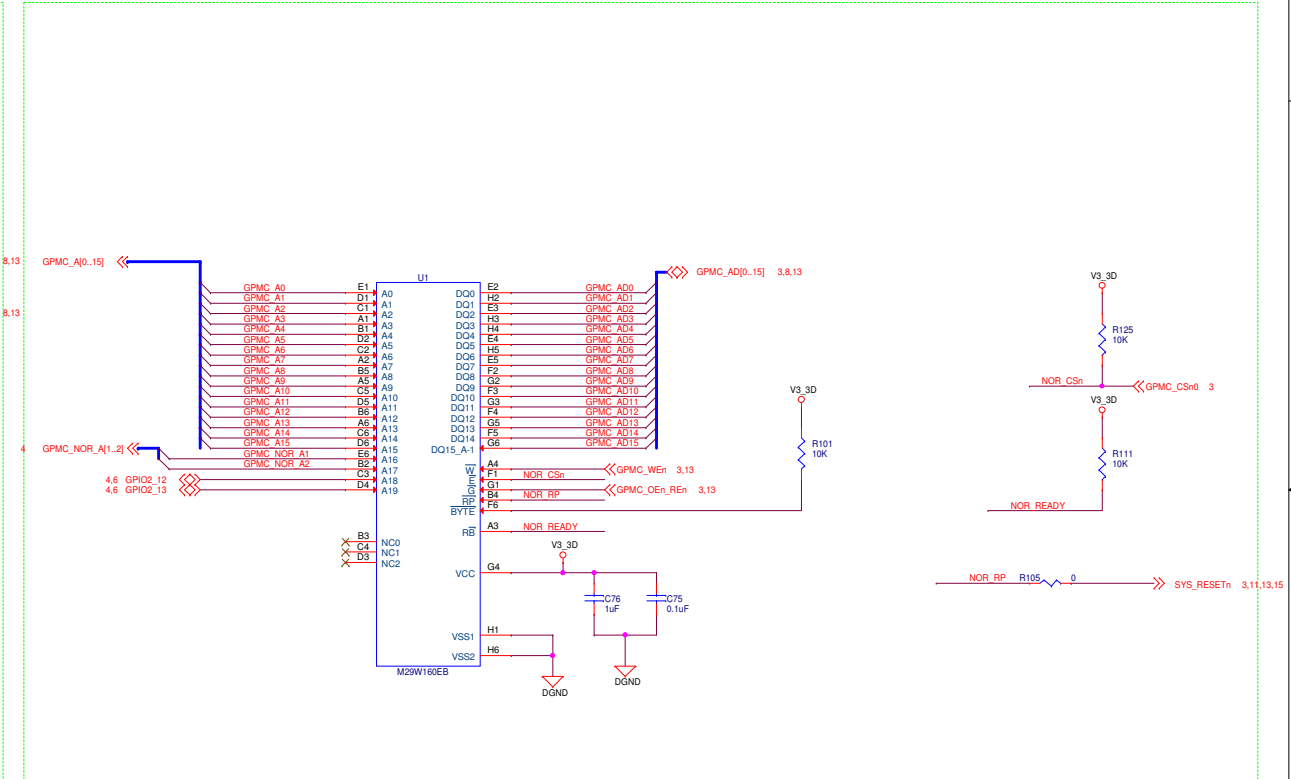
### VTT REGULATOR



**D FLIPFLOP**



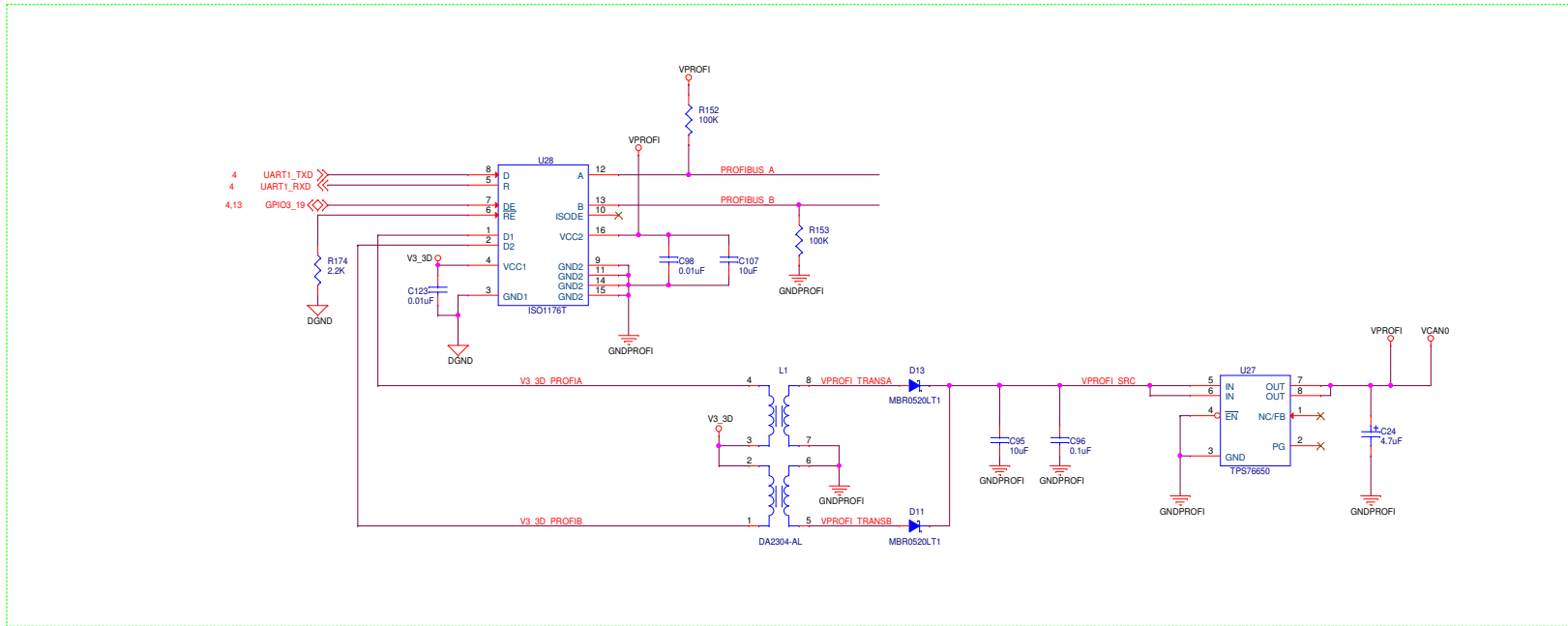
**NOR FLASH**



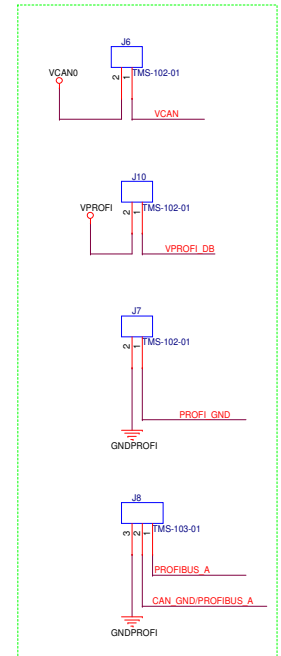
<b>ARM MPU</b>	<b>Texas Instruments, Inc.</b>			
	ARM MPU Business Unit 12500 TI Blvd Dallas, TX 75243			
	TMDXICE3359			
	NOR FLASH INTERFACE			
	Size C	Document Number AM335X_ICE_3H0013_2V1A.dsn	Modified By Radha	Rev 2.1A
Date: Wednesday, April 17, 2013	Sheet: 6 of 15			



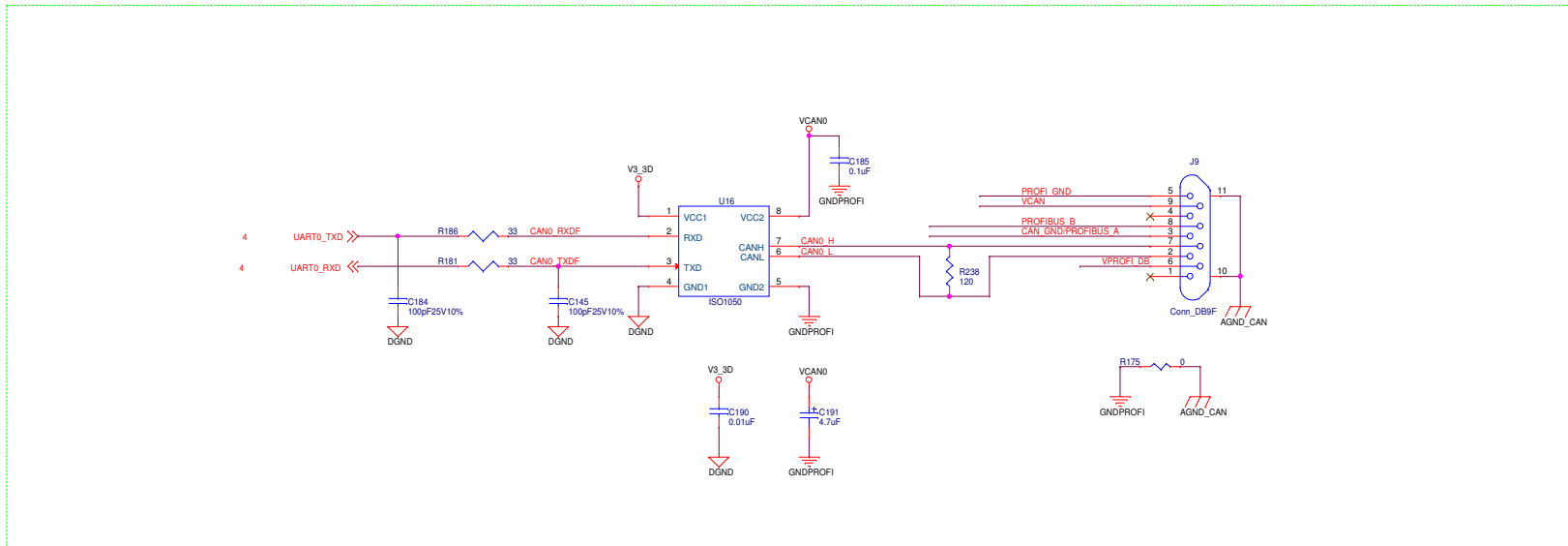
### PROFIBUS



### CAN / PROFIBUS SELECTION

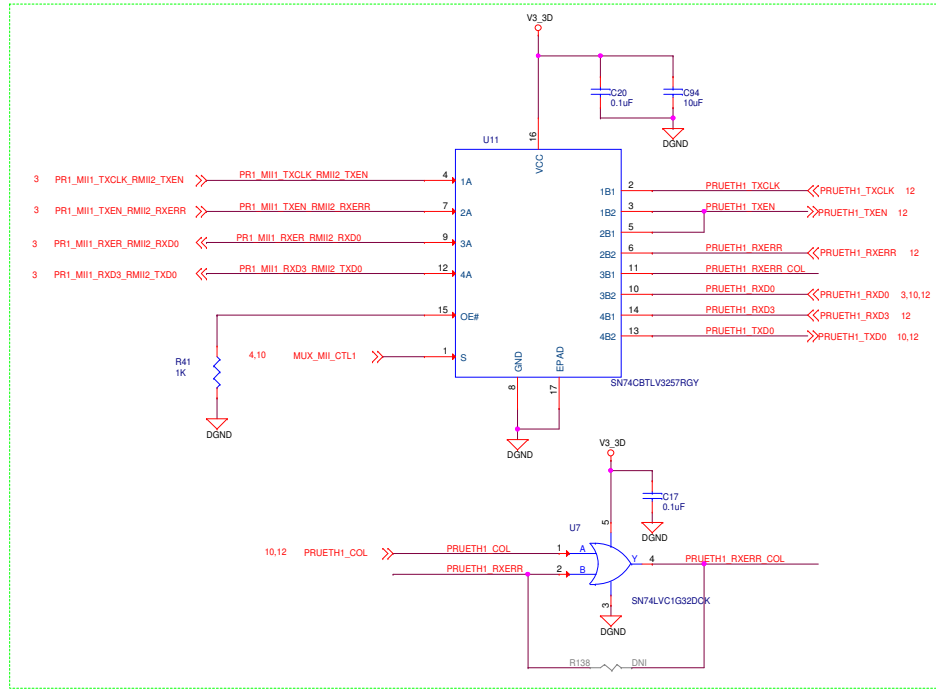


### CAN PORT

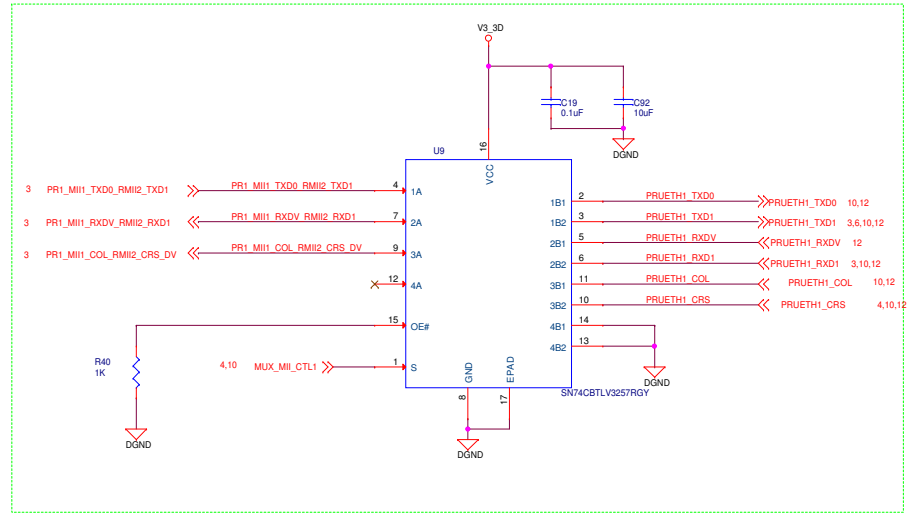


<b>ARM MPU</b>	<b>Texas Instruments, Inc.</b>			
	ARM MPU Business Unit 12500 TI Blvd Dallas, TX 75243			
	TMDXICE3359 CAN & PROFIBUS			
	Size	Document Number	Modified By:	Rev
C	AM335X_ICE_3H0013_2V1A.dsn	Rachna	2.1A	
Date: Wednesday, April 17, 2013			Sheet: 9 of 15	

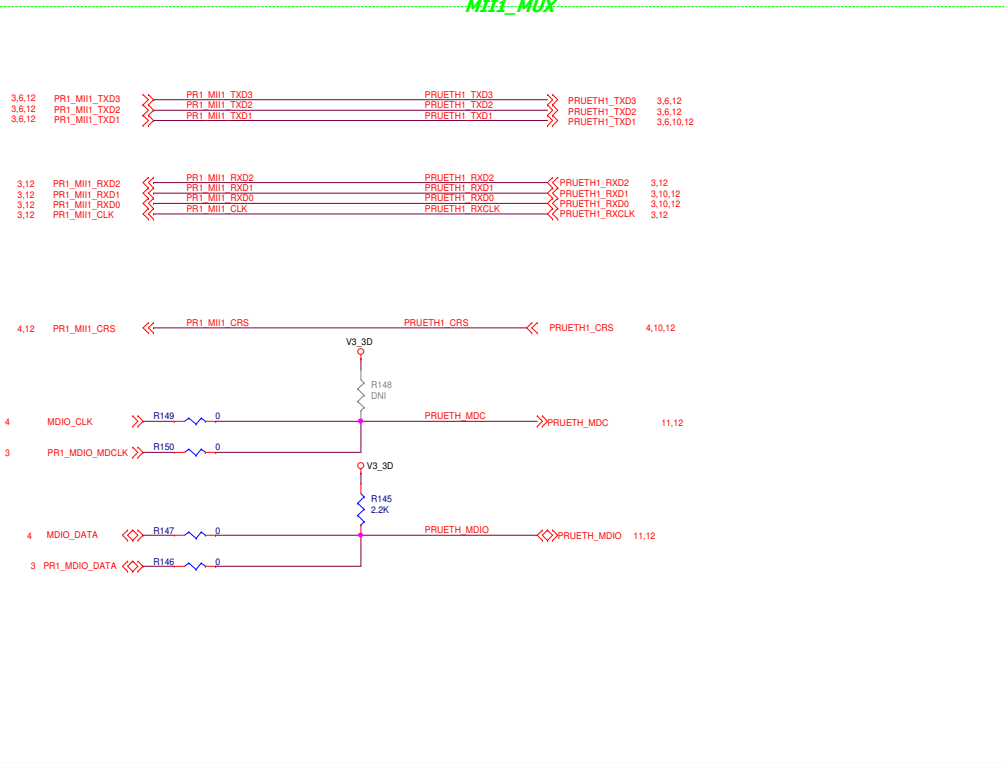
### MI11\_MUX1



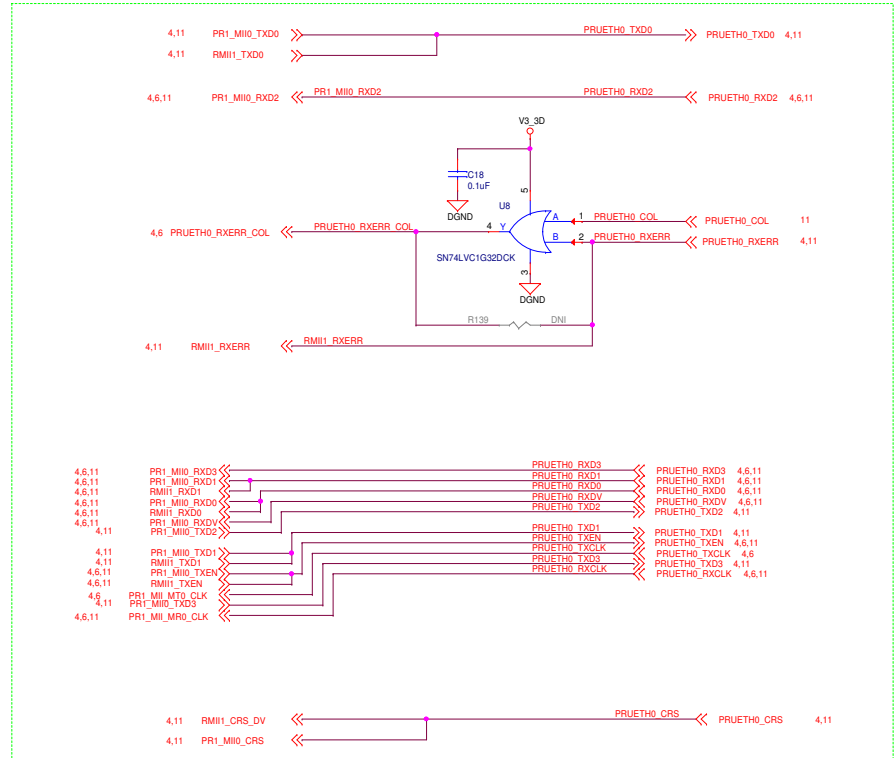
### MI11\_MUX2



### MI11\_MUX



### MI10\_MUX

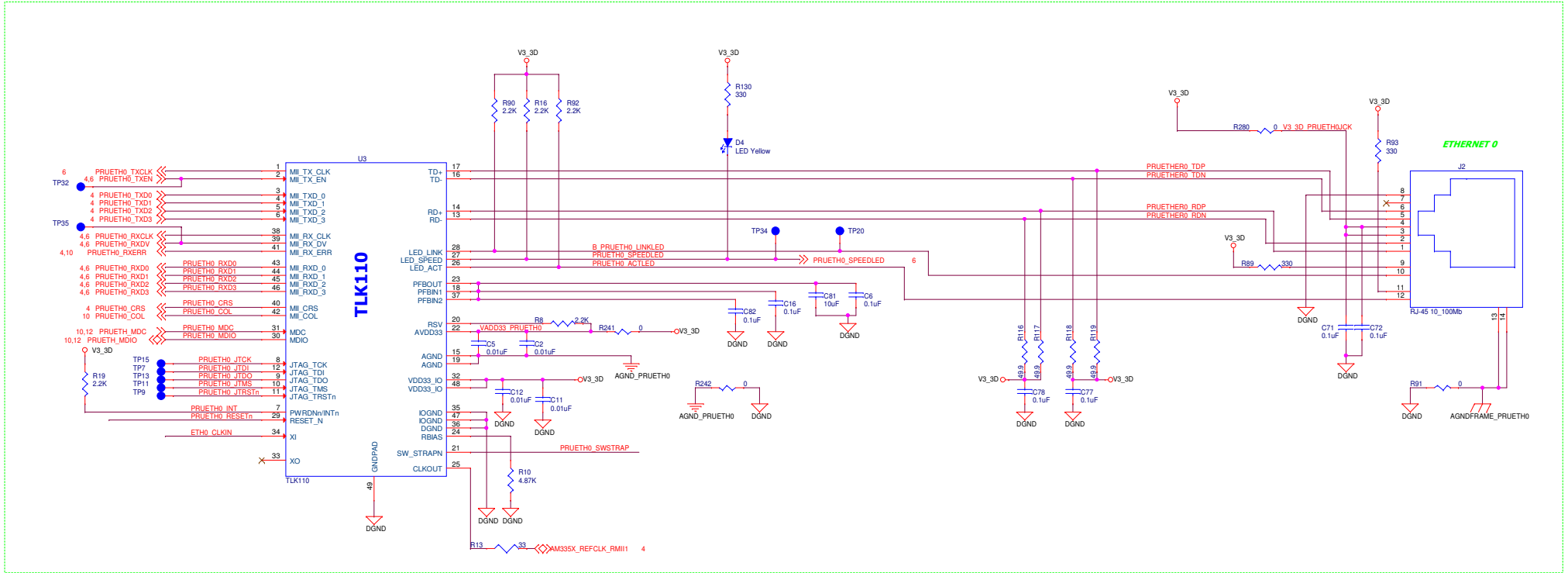


**ARM MPU** Texas Instruments, Inc. ARM MPU Business Unit  
 12500 TI Blvd  
 Dallas, TX 75243

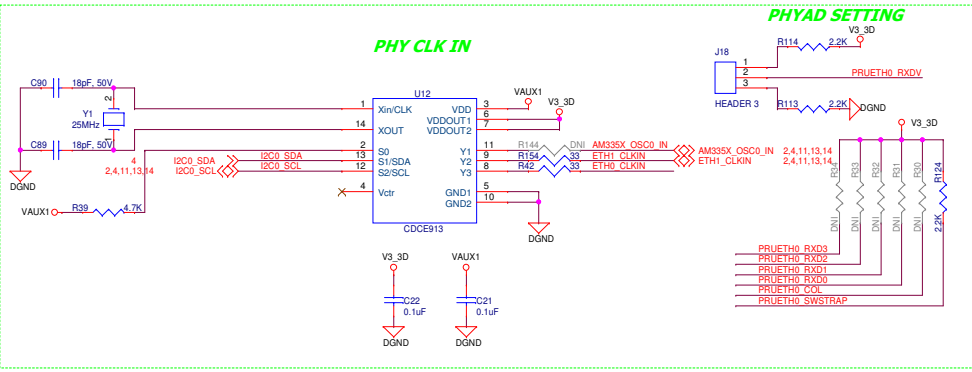
TMDXICE3359  
 PRU\_CPSW\_ETHERNET\_MUX

Size	Document Number	Modified By:	Rev
C	AM335X_ICE_3H0013_2V1A.dsn	Rachna	2.1A
Date: Wednesday, April 17, 2013		Sheet: 10	of 15

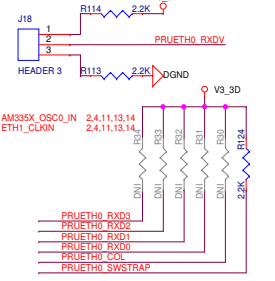
### ETHERNET 0



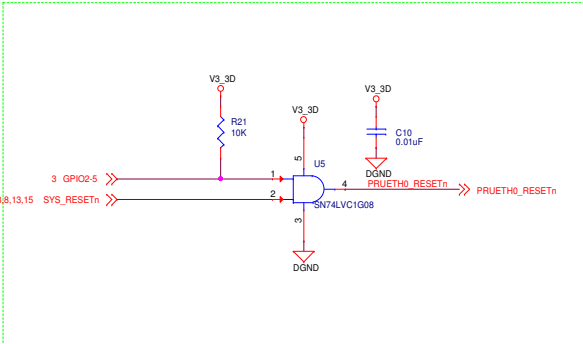
### PHY CLK IN



### PHYAD SETTING

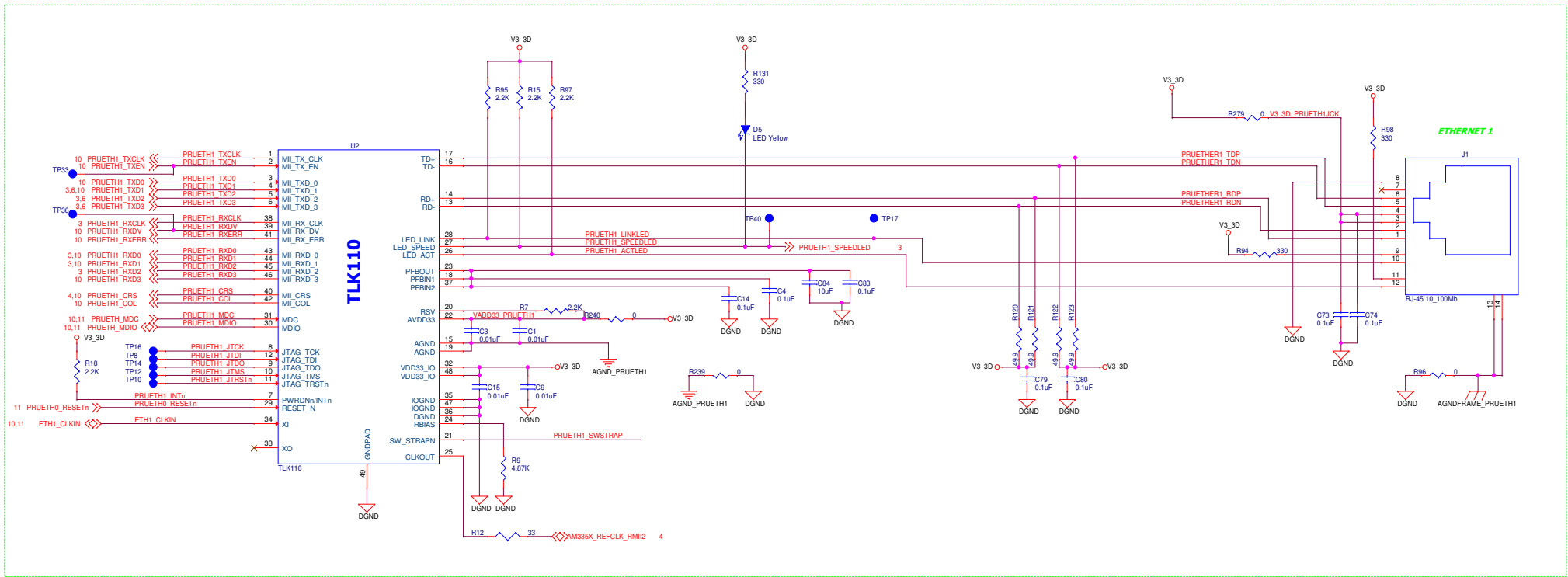


### ETHERNET 0&1 RESET

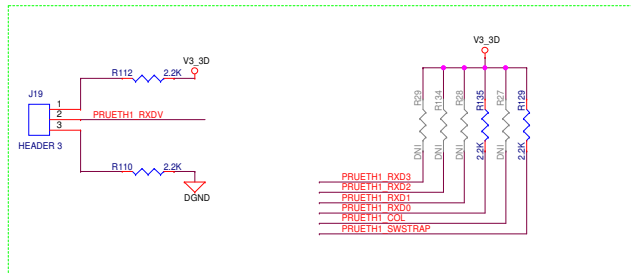


<b>ARM MPU</b>	<b>Texas Instruments, Inc.</b>		
	ARM MPU Business Unit 12500 TI Blvd Dallas, TX 75243		
	<b>TMDXICE3359</b>		
	Ethernet 0		
Size	Document Number	Modified By:	Rev
C	AM335X_ICE_3H0013_2V1A.dsn	Rachna	2.1A
Date:	Wednesday, April 17, 2013	Sheet: 11	of 15

### ETHERNET 1

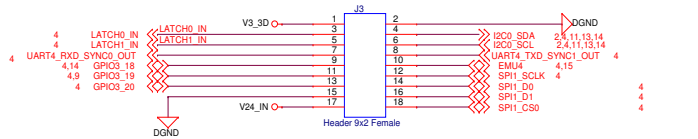
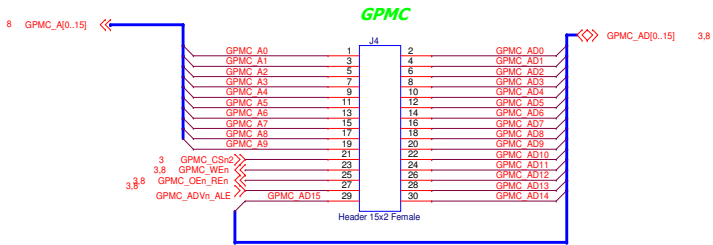


### PHYAD SETTING

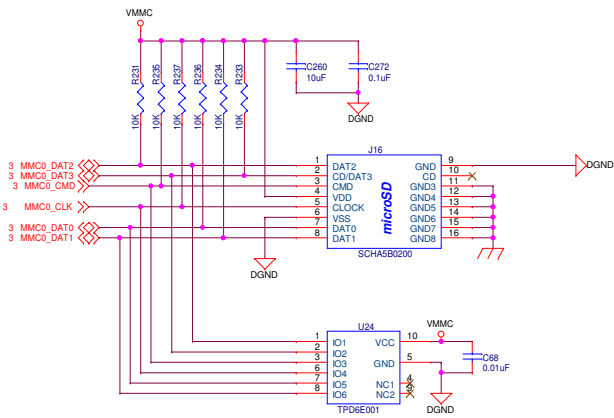


<b>ARM MPU</b>	<b>Texas Instruments, Inc.</b>		
	ARM MPU Business Unit 12500 TI Blvd Dallas, TX 75243		
<b>TMDXICE3359</b>			
<b>ETHERNET 1</b>			
Size	Document Number	Modified By:	Rev
C	AM335X_ICE_3H0013_2V1A.dsn	Rachna	2.1A
Date:	Wednesday, April 17, 2013	Sheet: 12	of 15

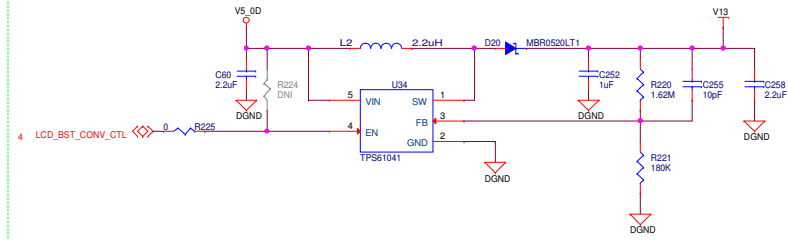
### HOST EXPANSION HEADERS



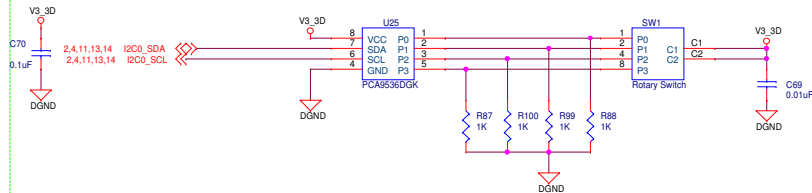
### MICRO SD CARD SOCKET



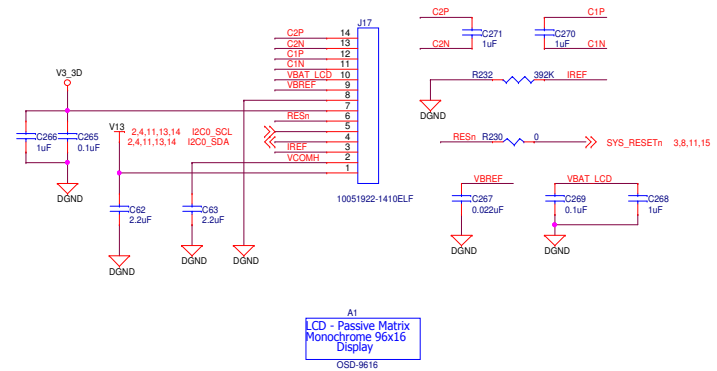
### 5V TO 13V BOOST CONVERTER



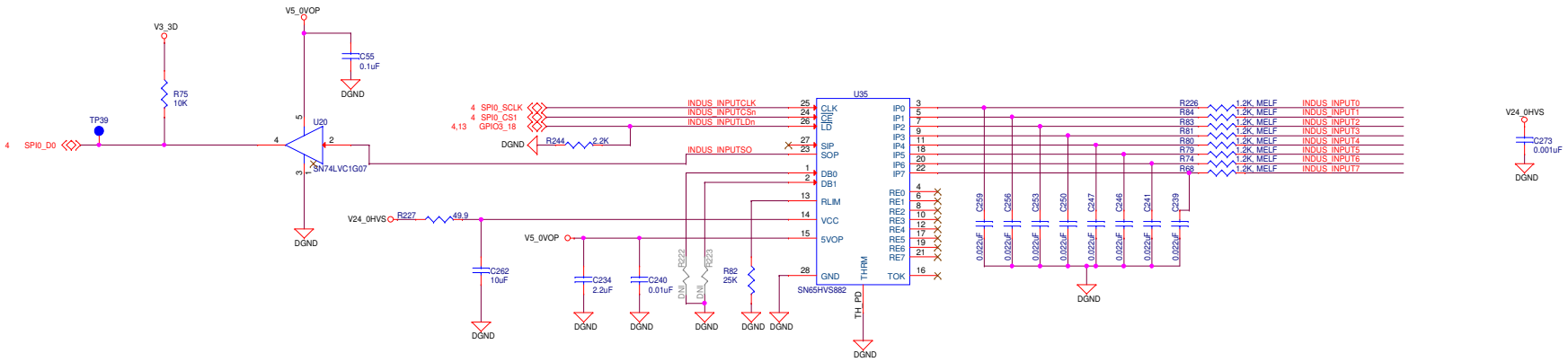
### ROTARY SWITCH - INDUSTRIAL ETHERNET SLAVE ADDRESS SELECTOR



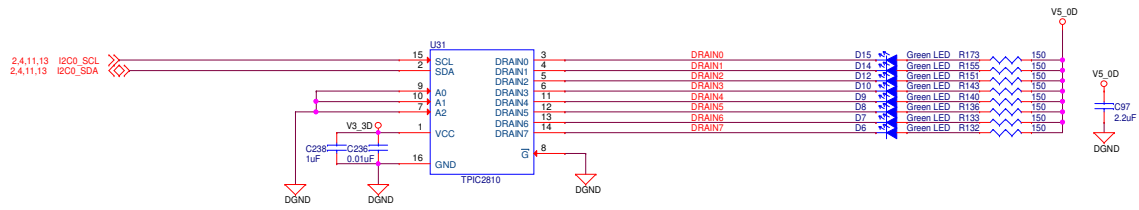
### MONOCHROME LCD INTERFACE



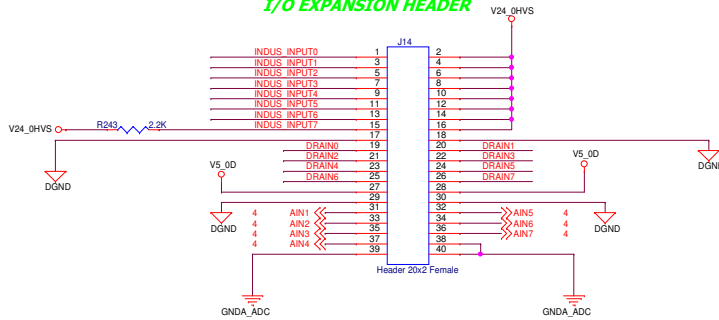
### DIGITAL INPUTS



### DIGITAL OUTPUTS

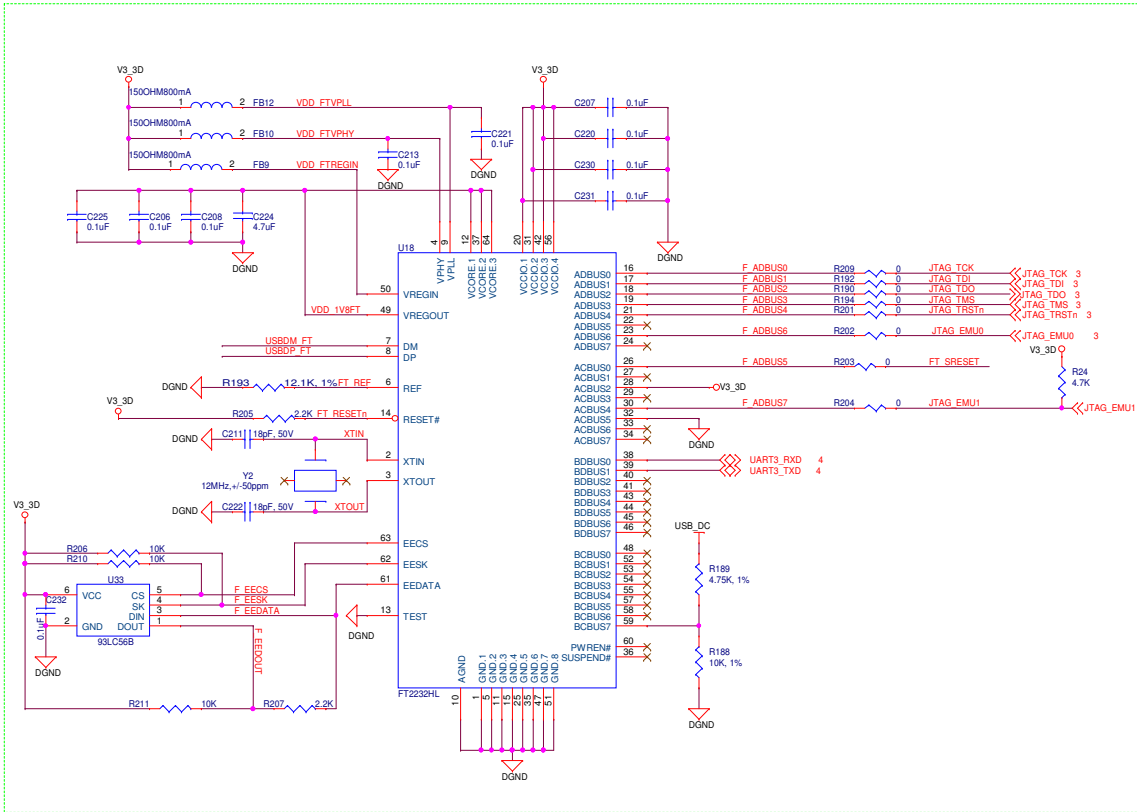


### I/O EXPANSION HEADER

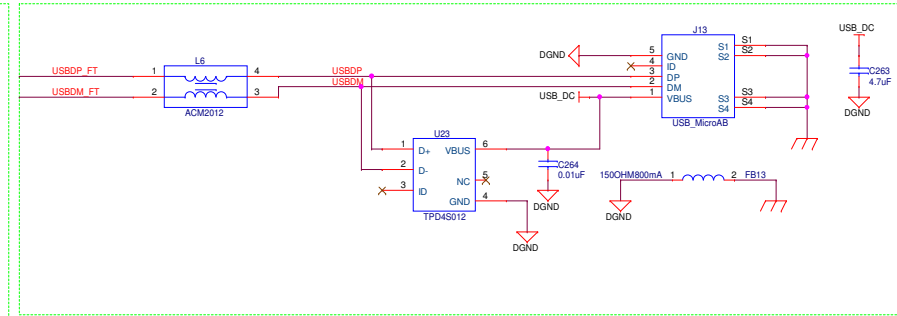


<b>ARM MPU</b>	<b>Texas Instruments, Inc.</b>			
	ARM MPU Business Unit			
	15200 TI Blvd			
	Dallas, TX 75243			
	<b>TMDXICE3359</b>			
<b>Industrial Inputs/Outputs</b>				
Size	Document Number	Modified By:	Rev	
C	AM335X_JCE_3H0013_2V1A.dsn	Rachna	2.1A	
Date:	Wednesday, April 17, 2013	Sheet: 14	of 15	

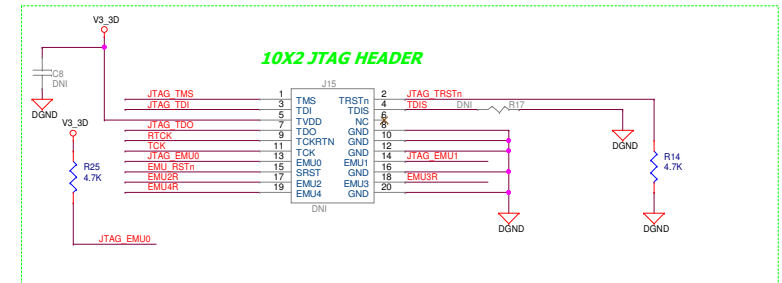
## USB TO UART / JTAG



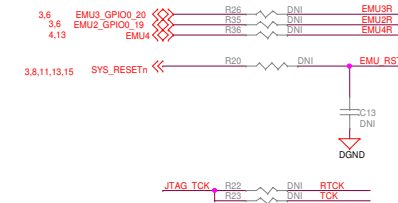
## Micro USB-AB



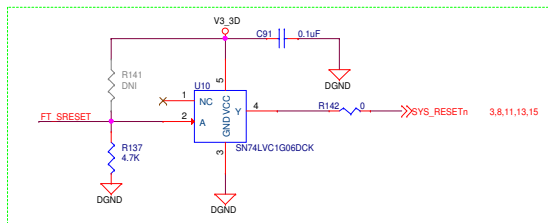
## 10X2 JTAG HEADER



## BREAK UP RESISTORS



## FT2232L RESET



## IMPORTANT NOTICE FOR TI REFERENCE DESIGNS

Texas Instruments Incorporated ("TI") reference designs are solely intended to assist designers ("Designer(s)") who are developing systems that incorporate TI products. TI has not conducted any testing other than that specifically described in the published documentation for a particular reference design.

TI's provision of reference designs and any other technical, applications or design advice, quality characterization, reliability data or other information or services does not expand or otherwise alter TI's applicable published warranties or warranty disclaimers for TI products, and no additional obligations or liabilities arise from TI providing such reference designs or other items.

TI reserves the right to make corrections, enhancements, improvements and other changes to its reference designs and other items.

Designer understands and agrees that Designer remains responsible for using its independent analysis, evaluation and judgment in designing Designer's systems and products, and has full and exclusive responsibility to assure the safety of its products and compliance of its products (and of all TI products used in or for such Designer's products) with all applicable regulations, laws and other applicable requirements. Designer represents that, with respect to its applications, it has all the necessary expertise to create and implement safeguards that (1) anticipate dangerous consequences of failures, (2) monitor failures and their consequences, and (3) lessen the likelihood of failures that might cause harm and take appropriate actions. Designer agrees that prior to using or distributing any systems that include TI products, Designer will thoroughly test such systems and the functionality of such TI products as used in such systems. Designer may not use any TI products in life-critical medical equipment unless authorized officers of the parties have executed a special contract specifically governing such use. Life-critical medical equipment is medical equipment where failure of such equipment would cause serious bodily injury or death (e.g., life support, pacemakers, defibrillators, heart pumps, neurostimulators, and implantables). Such equipment includes, without limitation, all medical devices identified by the U.S. Food and Drug Administration as Class III devices and equivalent classifications outside the U.S.

Designers are authorized to use, copy and modify any individual TI reference design only in connection with the development of end products that include the TI product(s) identified in that reference design. HOWEVER, NO OTHER LICENSE, EXPRESS OR IMPLIED, BY ESTOPPEL OR OTHERWISE TO ANY OTHER TI INTELLECTUAL PROPERTY RIGHT, AND NO LICENSE TO ANY TECHNOLOGY OR INTELLECTUAL PROPERTY RIGHT OF TI OR ANY THIRD PARTY IS GRANTED HEREIN, including but not limited to any patent right, copyright, mask work right, or other intellectual property right relating to any combination, machine, or process in which TI products or services are used. Information published by TI regarding third-party products or services does not constitute a license to use such products or services, or a warranty or endorsement thereof. Use of the reference design or other items described above may require a license from a third party under the patents or other intellectual property of the third party, or a license from TI under the patents or other intellectual property of TI.

TI REFERENCE DESIGNS AND OTHER ITEMS DESCRIBED ABOVE ARE PROVIDED "AS IS" AND WITH ALL FAULTS. TI DISCLAIMS ALL OTHER WARRANTIES OR REPRESENTATIONS, EXPRESS OR IMPLIED, REGARDING THE REFERENCE DESIGNS OR USE OF THE REFERENCE DESIGNS, INCLUDING BUT NOT LIMITED TO ACCURACY OR COMPLETENESS, TITLE, ANY EPIDEMIC FAILURE WARRANTY AND ANY IMPLIED WARRANTIES OF MERCHANTABILITY, FITNESS FOR A PARTICULAR PURPOSE, AND NON-INFRINGEMENT OF ANY THIRD PARTY INTELLECTUAL PROPERTY RIGHTS.

TI SHALL NOT BE LIABLE FOR AND SHALL NOT DEFEND OR INDEMNIFY DESIGNERS AGAINST ANY CLAIM, INCLUDING BUT NOT LIMITED TO ANY INFRINGEMENT CLAIM THAT RELATES TO OR IS BASED ON ANY COMBINATION OF PRODUCTS AS DESCRIBED IN A TI REFERENCE DESIGN OR OTHERWISE. IN NO EVENT SHALL TI BE LIABLE FOR ANY ACTUAL, DIRECT, SPECIAL, COLLATERAL, INDIRECT, PUNITIVE, INCIDENTAL, CONSEQUENTIAL OR EXEMPLARY DAMAGES IN CONNECTION WITH OR ARISING OUT OF THE REFERENCE DESIGNS OR USE OF THE REFERENCE DESIGNS, AND REGARDLESS OF WHETHER TI HAS BEEN ADVISED OF THE POSSIBILITY OF SUCH DAMAGES.

TI's standard terms of sale for semiconductor products (<http://www.ti.com/sc/docs/stdterms.htm>) apply to the sale of packaged integrated circuit products. Additional terms may apply to the use or sale of other types of TI products and services.

Designer will fully indemnify TI and its representatives against any damages, costs, losses, and/or liabilities arising out of Designer's non-compliance with the terms and provisions of this Notice.

Mailing Address: Texas Instruments, Post Office Box 655303, Dallas, Texas 75265  
Copyright © 2016, Texas Instruments Incorporated