

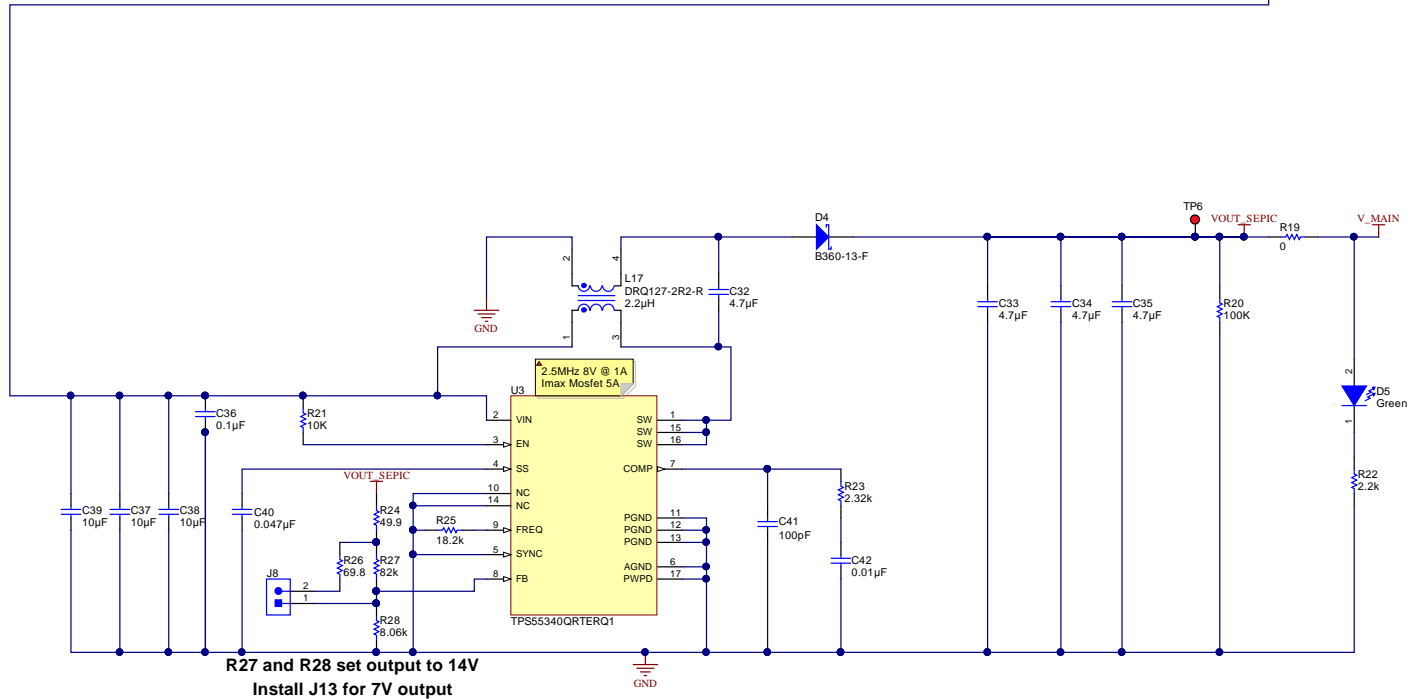
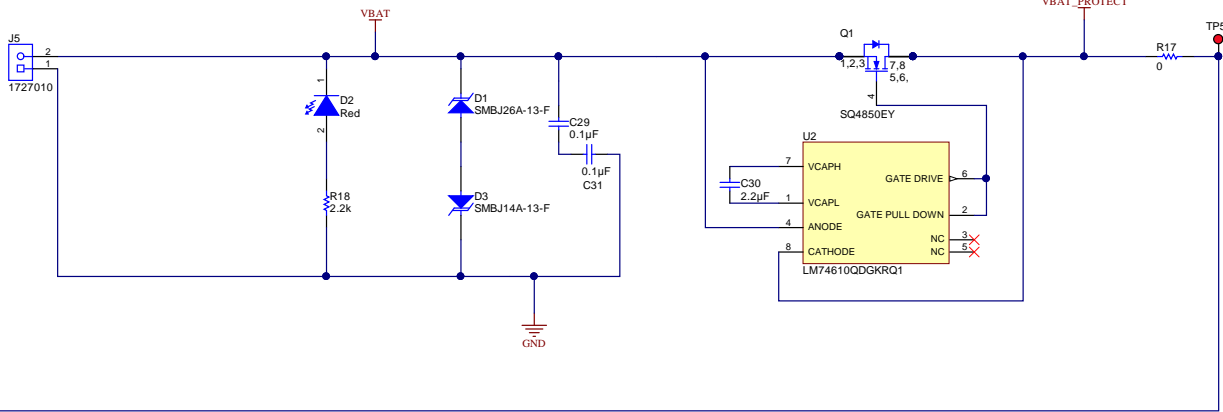
Texas Instruments and/or its licensors do not warrant the accuracy or completeness of this specification or any information contained therein. Texas Instruments and/or its licensors warrant that this design will meet the specifications, will be suitable for your application or fit for any particular purpose, or will operate in an implementation. Texas Instruments and/or its licensors do not warrant that the design is production worthy. You should completely validate and test your design implementation to confirm the system functionality for your application.

Orderable: NO	Designed for: Public Release	Mod. Date: 12/16/2016
TID #: 01005	Project Title: Four Channel Camera Board for TDA3x	
Number: TIDA-01005 Rev: E1.0	Sheet Title: cam_connections	
SWN Rev: Version control disabled	Assembly Variant: [No Variations]	Sheet: 1 of 8
Drawn By: Brian Shaffer	File: cam_connections.SchDoc	Size: B
Engineer: Brian Shaffer	Contact: http://www.ti.com/support	



<http://www.ti.com>
© Texas Instruments 2016

Car Battery Input
 Vin = 4V - 40V

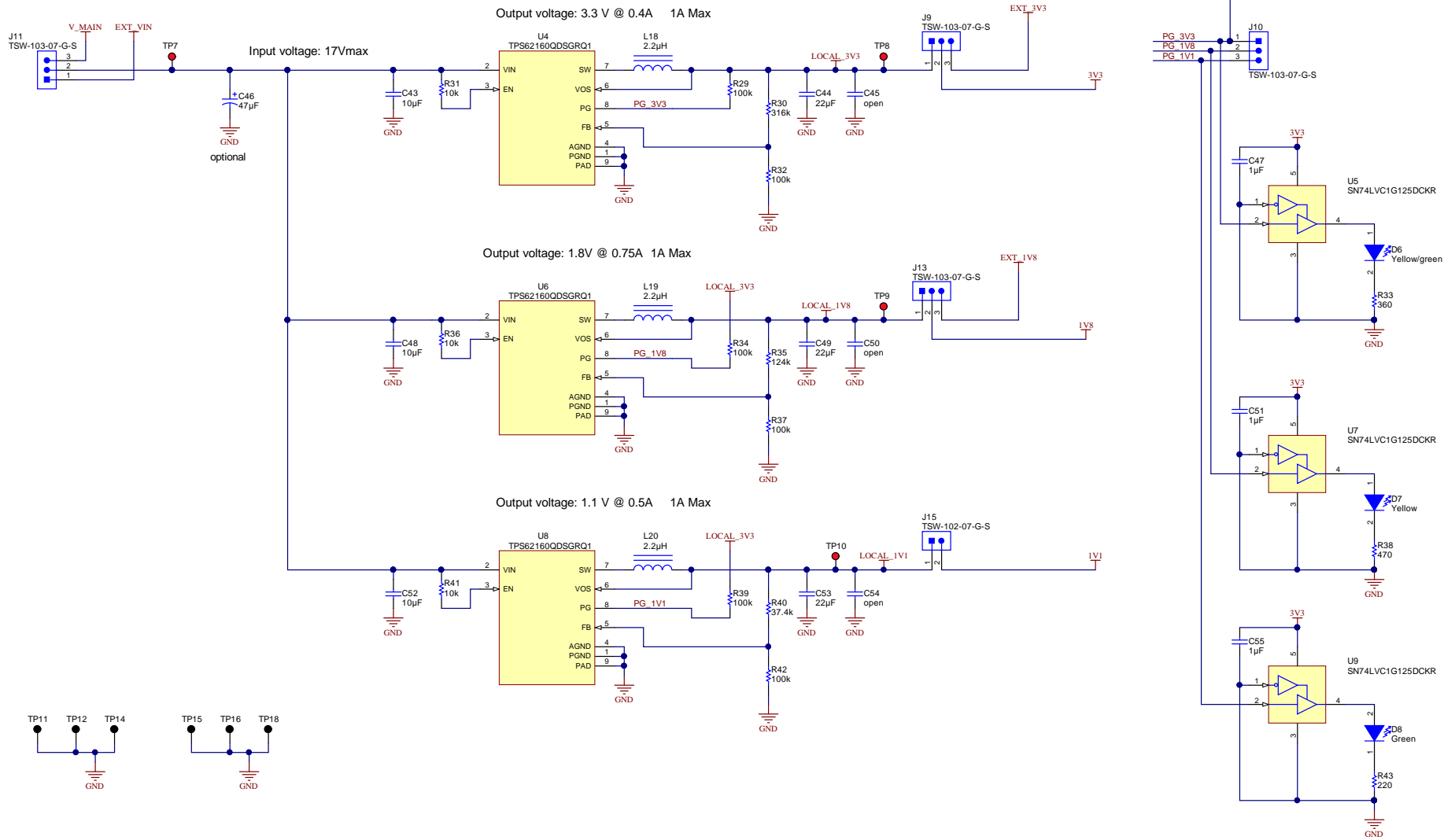


R27 and R28 set output to 14V
 Install J13 for 7V output

Orderable: NO	Designed for: Public Release	Mod. Date: 12/7/2016
TID #: 01005	Project Title: Four Channel Camera Board for TDA3x	
Number: TIDA-01005 Rev: E1.0	Sheet Title: V_Batt_Supply	
SW Rev: Version control disabled	Assembly Variant: No Variations	Sheet: 2 of 8
Drawn By: Brian Shaffer	File: V_Batt_Supply_SchDoc	Size: B
Engineer: Brian Shaffer	Contact: http://www.ti.com/support	

Texas Instruments and/or its licensors do not warrant the accuracy or completeness of this specification or any information contained therein. Texas Instruments and/or its licensors warrant that this design will meet the specifications, will be suitable for your application or fit for any particular purpose, or will operate in an implementation. Texas Instruments and/or its licensors do not warrant that the design is production worthy. You should completely validate and test your design implementation to confirm the system functionality for your application. © Texas Instruments 2016

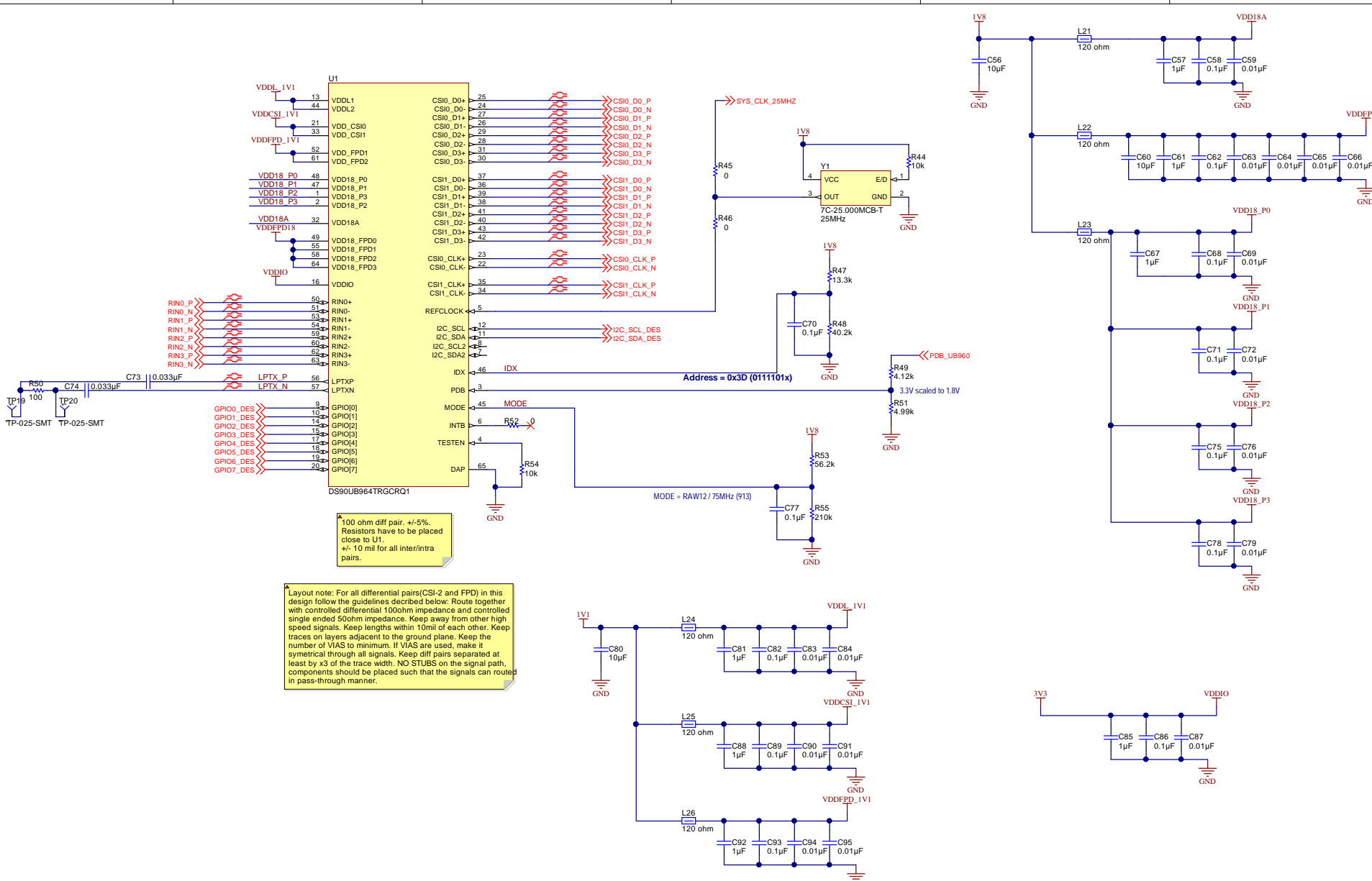




Orderable: NO	Designed for: Public Release	Mod. Date: 12/7/2016
TID #: 01005	Project Title: Four Channel Camera Board for TDA3x	
Number: TIDA-01005 Rev: E1.0	Sheet Title: Camera_Switch_and_Bucks	
SWN Rev: Version control disabled	Assembly Variant: [No Variations]	Sheet: 3 of 8
Drawn By: Brian Shaffer	File: Bucks_SchDoc	Size: B
Engineer: Brian Shaffer	Contact: http://www.ti.com/support	http://www.ti.com

Texas Instruments and/or its licensors do not warrant the accuracy or completeness of this specification or any information contained therein. Texas Instruments and/or its licensors warrant that this design will meet the specifications, will be suitable for your application or fit for any particular purpose, or will operate in an implementation. Texas Instruments and/or its licensors do not warrant that the design is production worthy. You should completely validate and test your design implementation to confirm the system functionality for your application.



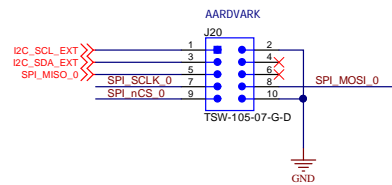
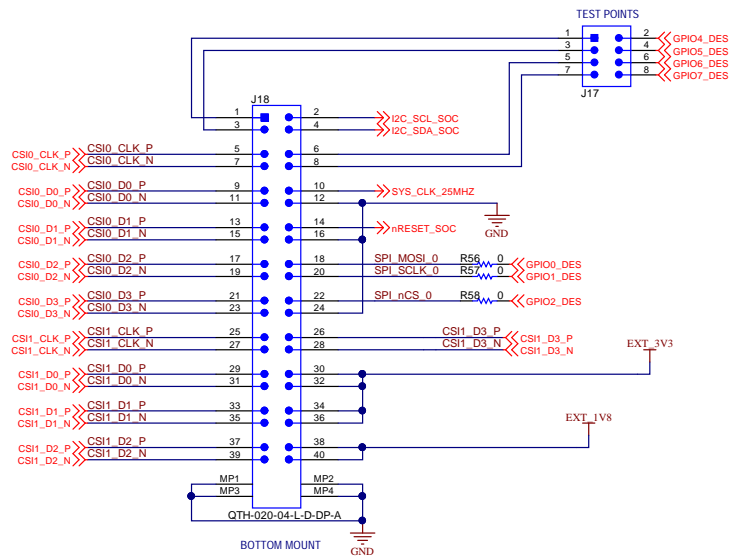


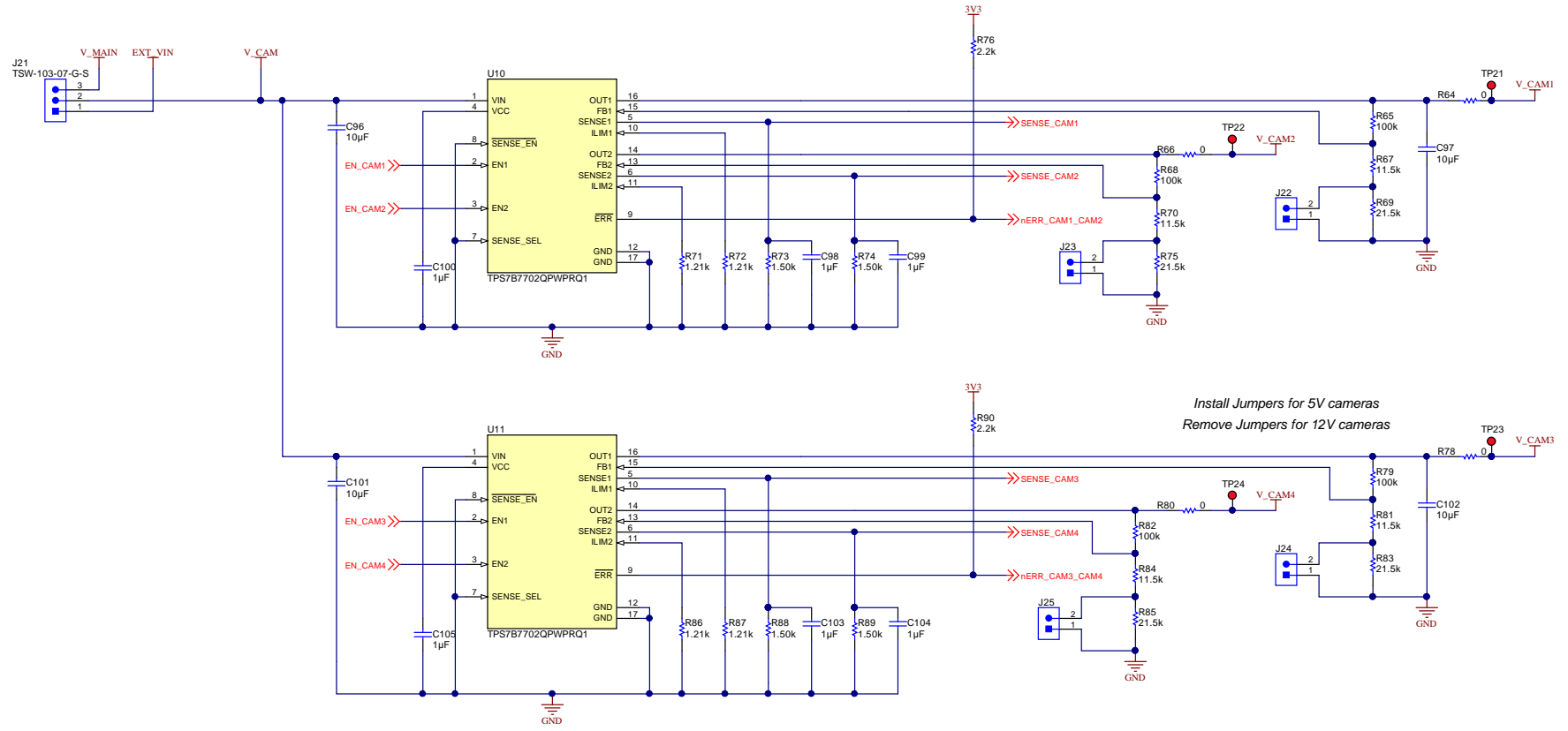
100 ohm diff pair, +/-5%. Resistors have to be placed close to U1. +/- 10 mil for all inter/intra pairs.

Layout note: For all differential pairs(CSI-2 and FPD) in this design follow the guidelines described below. Route together with controlled differential 100ohm impedance and controlled single ended 50ohm impedance. Keep diff pairs separated at least by x3 of the trace width. NO STUBS on the signal path, components should be placed such that the signals can route in pass-through manner.

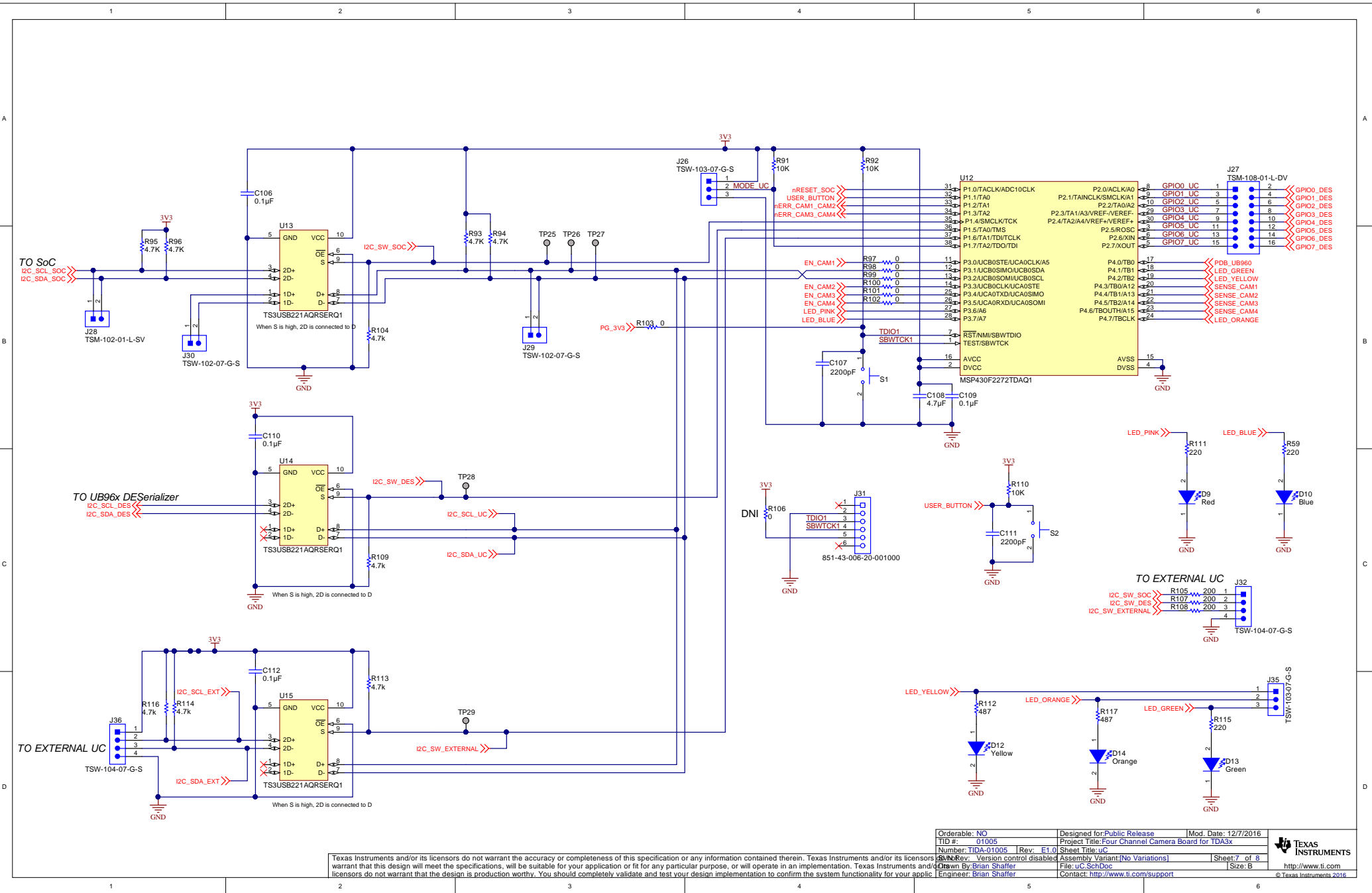
Orderable: NO	Designed for: Public Release	Mod. Date: 12/7/2016
TID #: 01005	Project Title: Four Channel Camera Board for TDA3x	
Number: TIDA-01005 Rev: E1.0	Sheet Title: Deserializer	
SW Rev: Version control disabled	Assembly Variant: No Variations	Sheet: 4 of 8
Drawn By: Brian Shaffer	File: Deserializer_SchDoc	Size: B
Engineer: Brian Shaffer	Contact: http://www.ti.com/support	

Texas Instruments and/or its licensors do not warrant the accuracy or completeness of this specification or any information contained therein. Texas Instruments and/or its licensors warrant that this design will meet the specifications, will be suitable for your application or fit for any particular purpose, or will operate in an implementation. Texas Instruments and/or its licensors do not warrant that the design is production worthy. You should completely validate and test your design implementation to confirm the system functionality for your application. © Texas Instruments 2016



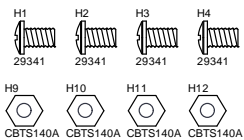


Install Jumpers for 5V cameras
Remove Jumpers for 12V cameras



Texas Instruments and/or its licensors do not warrant the accuracy or completeness of this specification or any information contained therein. Texas Instruments and/or its licensors warrant that this design will meet the specifications, will be suitable for your application or fit for any particular purpose, or will operate in an implementation. Texas Instruments and/or its licensors do not warrant that the design is production worthy. You should completely validate and test your design implementation to confirm the system functionality for your application.

Orderable: NO	Designed for: Public Release	Mod. Date: 12/7/2016	 http://www.ti.com
TID #: 01005	Project Title: Four Channel Camera Board for TDA3x	Sheet: 7 of 8	
Number: TDA-01005 Rev: E1.0	Sheet Title: UC	Size: B	
SW Rev: Version control disabled	Assembly Variant [No Variations]	Contact: http://www.ti.com/support	
Drawn By: Brian Shaffer	File: UC_SchDoc	© Texas Instruments 2016	



PCB Number: TIDA-01005
PCB Rev: E1

PCB
LOGO
Texas Instruments

PCB
LOGO
Pb-Free Symbol

ZZ2
Assembly Note
These assemblies are ESD sensitive, ESD precautions shall be observed.

ZZ3
Assembly Note
These assemblies must be clean and free from flux and all contaminants. Use of no clean flux is not acceptable.

ZZ4
Assembly Note
These assemblies must comply with workmanship standards IPC-A-610 Class 2, unless otherwise specified.

Orderable: NO	Designed for: Public Release	Mod. Date: 12/7/2016	<p>TEXAS INSTRUMENTS http://www.ti.com</p>
TID #: 01005	Project Title: Four Channel Camera Board for TDA3x		
Number: TIDA-01005 Rev: E1.0	Sheet Title: Hardware	Sheet: 8 of 8	
SMD Rev: Version control disabled Drawn By: Brian Shaffer Engineer: Brian Shaffer	Assembly Variant: [No Variations] File: Hardware.SchDoc Contact: http://www.ti.com/support	Size: B	

Texas Instruments and/or its licensors do not warrant the accuracy or completeness of this specification or any information contained therein. Texas Instruments and/or its licensors warrant that this design will meet the specifications, will be suitable for your application or fit for any particular purpose, or will operate in an implementation. Texas Instruments and/or its licensors do not warrant that the design is production worthy. You should completely validate and test your design implementation to confirm the system functionality for your application.

IMPORTANT NOTICE FOR TI REFERENCE DESIGNS

Texas Instruments Incorporated ("TI") reference designs are solely intended to assist designers ("Designer(s)") who are developing systems that incorporate TI products. TI has not conducted any testing other than that specifically described in the published documentation for a particular reference design.

TI's provision of reference designs and any other technical, applications or design advice, quality characterization, reliability data or other information or services does not expand or otherwise alter TI's applicable published warranties or warranty disclaimers for TI products, and no additional obligations or liabilities arise from TI providing such reference designs or other items.

TI reserves the right to make corrections, enhancements, improvements and other changes to its reference designs and other items.

Designer understands and agrees that Designer remains responsible for using its independent analysis, evaluation and judgment in designing Designer's systems and products, and has full and exclusive responsibility to assure the safety of its products and compliance of its products (and of all TI products used in or for such Designer's products) with all applicable regulations, laws and other applicable requirements. Designer represents that, with respect to its applications, it has all the necessary expertise to create and implement safeguards that (1) anticipate dangerous consequences of failures, (2) monitor failures and their consequences, and (3) lessen the likelihood of failures that might cause harm and take appropriate actions. Designer agrees that prior to using or distributing any systems that include TI products, Designer will thoroughly test such systems and the functionality of such TI products as used in such systems. Designer may not use any TI products in life-critical medical equipment unless authorized officers of the parties have executed a special contract specifically governing such use. Life-critical medical equipment is medical equipment where failure of such equipment would cause serious bodily injury or death (e.g., life support, pacemakers, defibrillators, heart pumps, neurostimulators, and implantables). Such equipment includes, without limitation, all medical devices identified by the U.S. Food and Drug Administration as Class III devices and equivalent classifications outside the U.S.

Designers are authorized to use, copy and modify any individual TI reference design only in connection with the development of end products that include the TI product(s) identified in that reference design. HOWEVER, NO OTHER LICENSE, EXPRESS OR IMPLIED, BY ESTOPPEL OR OTHERWISE TO ANY OTHER TI INTELLECTUAL PROPERTY RIGHT, AND NO LICENSE TO ANY TECHNOLOGY OR INTELLECTUAL PROPERTY RIGHT OF TI OR ANY THIRD PARTY IS GRANTED HEREIN, including but not limited to any patent right, copyright, mask work right, or other intellectual property right relating to any combination, machine, or process in which TI products or services are used. Information published by TI regarding third-party products or services does not constitute a license to use such products or services, or a warranty or endorsement thereof. Use of the reference design or other items described above may require a license from a third party under the patents or other intellectual property of the third party, or a license from TI under the patents or other intellectual property of TI.

TI REFERENCE DESIGNS AND OTHER ITEMS DESCRIBED ABOVE ARE PROVIDED "AS IS" AND WITH ALL FAULTS. TI DISCLAIMS ALL OTHER WARRANTIES OR REPRESENTATIONS, EXPRESS OR IMPLIED, REGARDING THE REFERENCE DESIGNS OR USE OF THE REFERENCE DESIGNS, INCLUDING BUT NOT LIMITED TO ACCURACY OR COMPLETENESS, TITLE, ANY EPIDEMIC FAILURE WARRANTY AND ANY IMPLIED WARRANTIES OF MERCHANTABILITY, FITNESS FOR A PARTICULAR PURPOSE, AND NON-INFRINGEMENT OF ANY THIRD PARTY INTELLECTUAL PROPERTY RIGHTS.

TI SHALL NOT BE LIABLE FOR AND SHALL NOT DEFEND OR INDEMNIFY DESIGNERS AGAINST ANY CLAIM, INCLUDING BUT NOT LIMITED TO ANY INFRINGEMENT CLAIM THAT RELATES TO OR IS BASED ON ANY COMBINATION OF PRODUCTS AS DESCRIBED IN A TI REFERENCE DESIGN OR OTHERWISE. IN NO EVENT SHALL TI BE LIABLE FOR ANY ACTUAL, DIRECT, SPECIAL, COLLATERAL, INDIRECT, PUNITIVE, INCIDENTAL, CONSEQUENTIAL OR EXEMPLARY DAMAGES IN CONNECTION WITH OR ARISING OUT OF THE REFERENCE DESIGNS OR USE OF THE REFERENCE DESIGNS, AND REGARDLESS OF WHETHER TI HAS BEEN ADVISED OF THE POSSIBILITY OF SUCH DAMAGES.

TI's standard terms of sale for semiconductor products (<http://www.ti.com/sc/docs/stdterms.htm>) apply to the sale of packaged integrated circuit products. Additional terms may apply to the use or sale of other types of TI products and services.

Designer will fully indemnify TI and its representatives against any damages, costs, losses, and/or liabilities arising out of Designer's non-compliance with the terms and provisions of this Notice.

Mailing Address: Texas Instruments, Post Office Box 655303, Dallas, Texas 75265
Copyright © 2016, Texas Instruments Incorporated