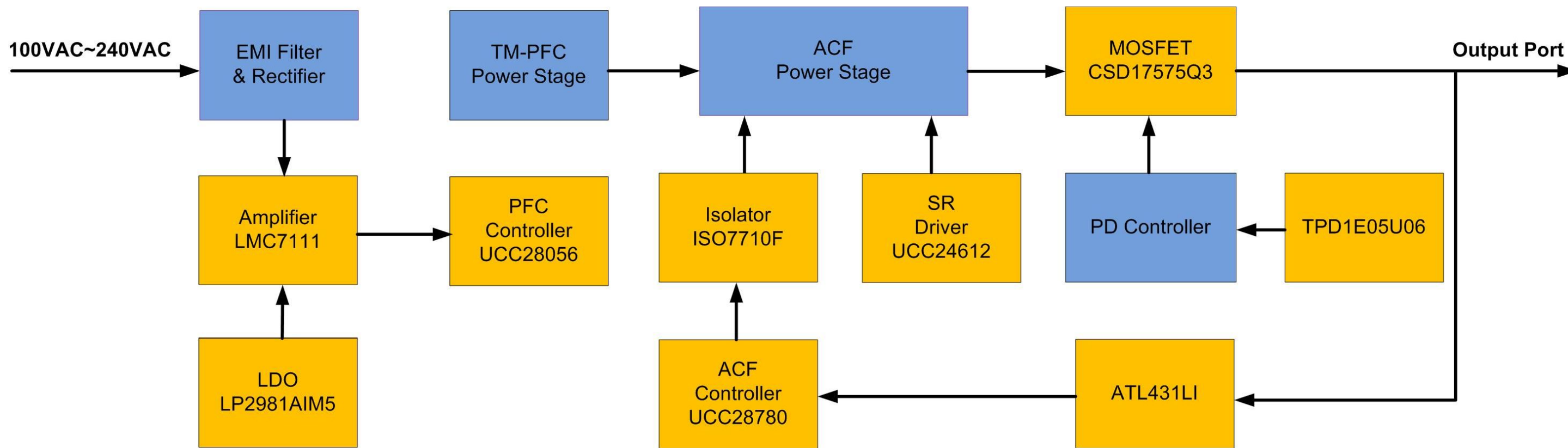


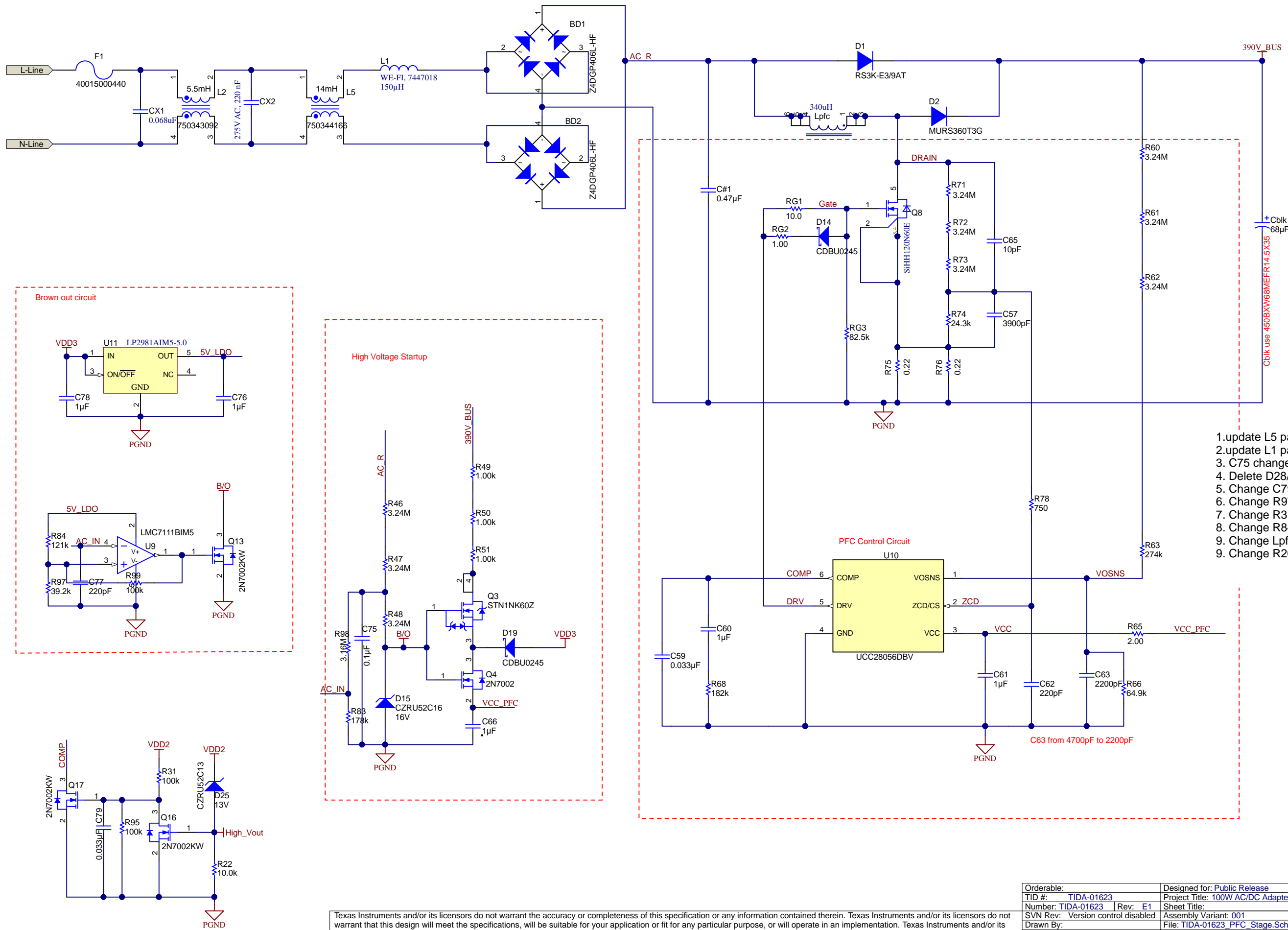
Revision History				
Rev	ECN #	Approved Date	Approved by	Notes
N/A	N/A	N/A	N/A	N/A



Texas Instruments and/or its licensors do not warrant the accuracy or completeness of this specification or any information contained therein. Texas Instruments and/or its licensors do not warrant that this design will meet the specifications, will be suitable for your application or fit for any particular purpose, or will operate in an implementation. Texas Instruments and/or its licensors do not warrant that the design is production worthy. You should completely validate and test your design implementation to confirm the system functionality for your application.

Orderable:	Designed for: Public Release	Mod. Date: 4/10/2019
TID #: TIDA-01623	Project Title: 100W AC/DC Adapter	
Number: TIDA-01623	Rev: E1	Sheet Title: Block Diagram
SVN Rev: Version control disabled	Assembly Variant: 001	Sheet: 1 of 4
Drawn By: Cheng Liu	File: TIDA-01623_Block_Diagram.SchDoc	Size: B
Engineer: Cheng Liu	Contact: <a href="http://www.ti.com/support">http://www.ti.com/support</a>	





1. update L5 partnumber to 750344166;
2. update L1 partnumber to 7447018;
3. C75 change to 0805/0.1uF/250V;
4. Delete D28/D29/R100 for BO/SBP;
5. Change C79 to 33nF;
6. Change R97 to 51.1k and R99 to ;
7. Change R31 to 100Kohm;
8. Change R84/R97/R99;
9. Change Lpfc/T1 part number;
9. Change R26;

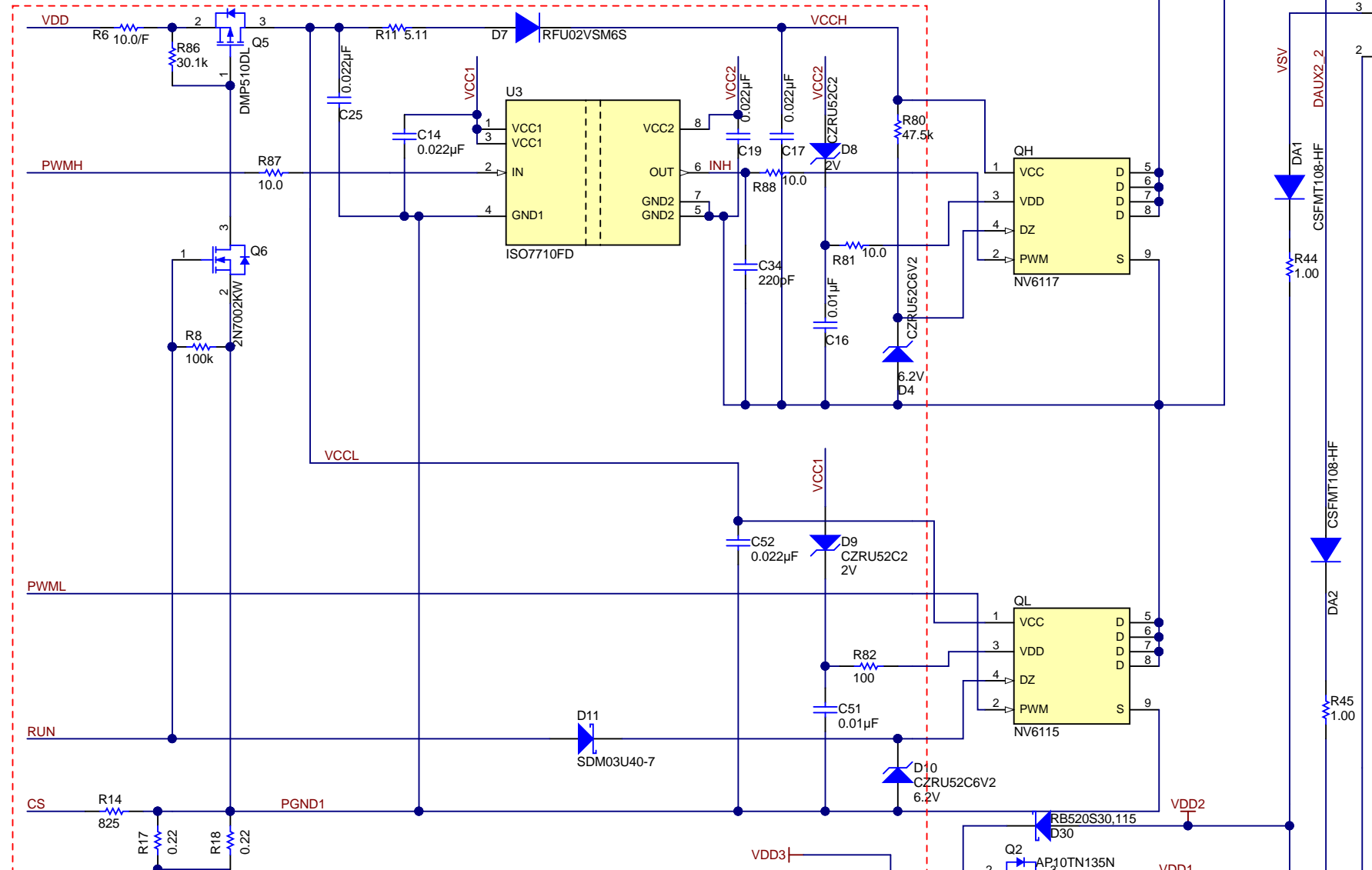
Cblk use 450BXV68MEFR14.5X35

Orderable:	Designed for: Public Release	Mod. Date: 4/9/2019
TID #: TIDA-01623	Project Title: 100W AC/DC Adapter	
Number: TIDA-01623	Rev: E1	Sheet Title:
SVN Rev: Version control disabled	Assembly Variant: 001	Sheet: 2 of 4
Drawn By:	File: TIDA-01623_PFC_Stage.SchDoc	Size: B
Engineer: Cheng Liu	Contact: <a href="http://www.ti.com/support">http://www.ti.com/support</a>	

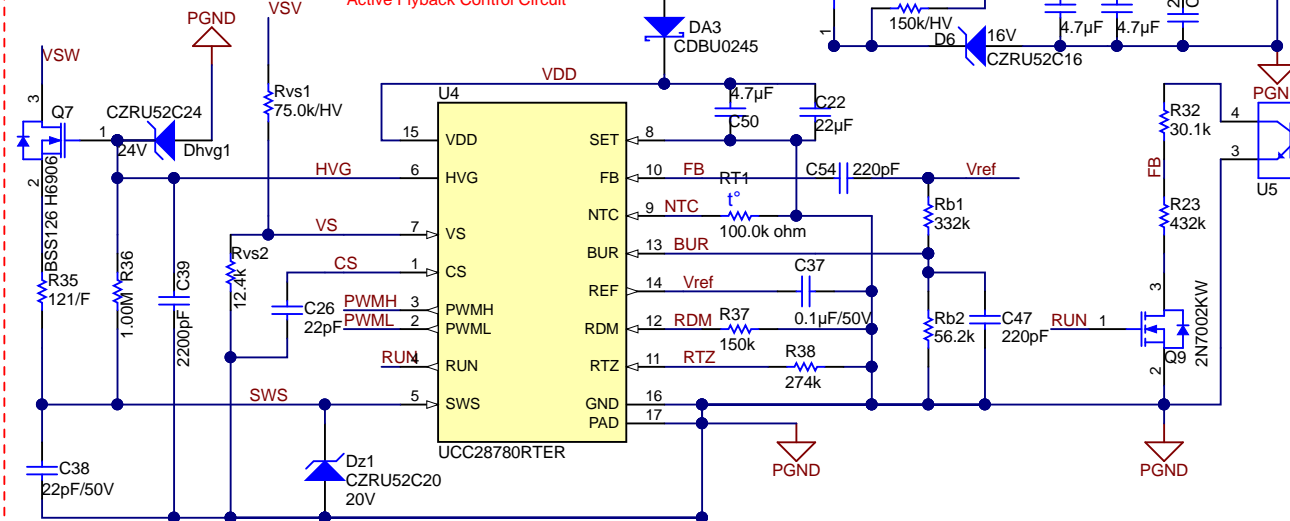
Texas Instruments and/or its licensors do not warrant the accuracy or completeness of this specification or any information contained therein. Texas Instruments and/or its licensors do not warrant that this design will meet the specifications, will be suitable for your application or fit for any particular purpose, or will operate in an implementation. Texas Instruments and/or its licensors do not warrant that the design is production worthy. You should completely validate and test your design implementation to confirm the system functionality for your application.



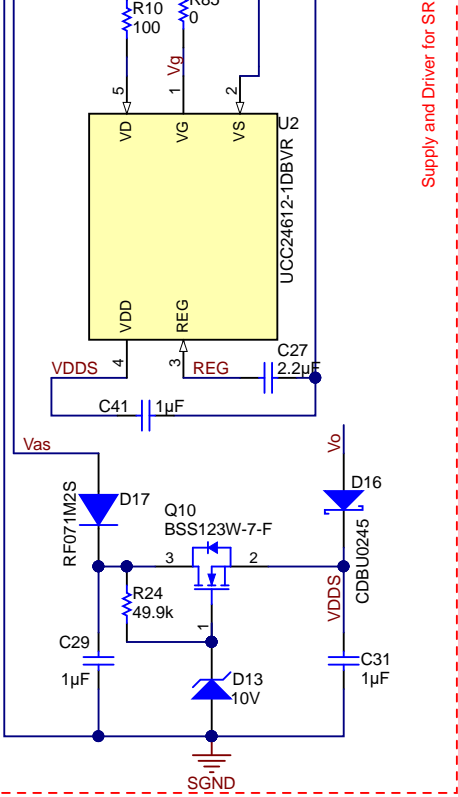
Supply and Driver circuit for GaN



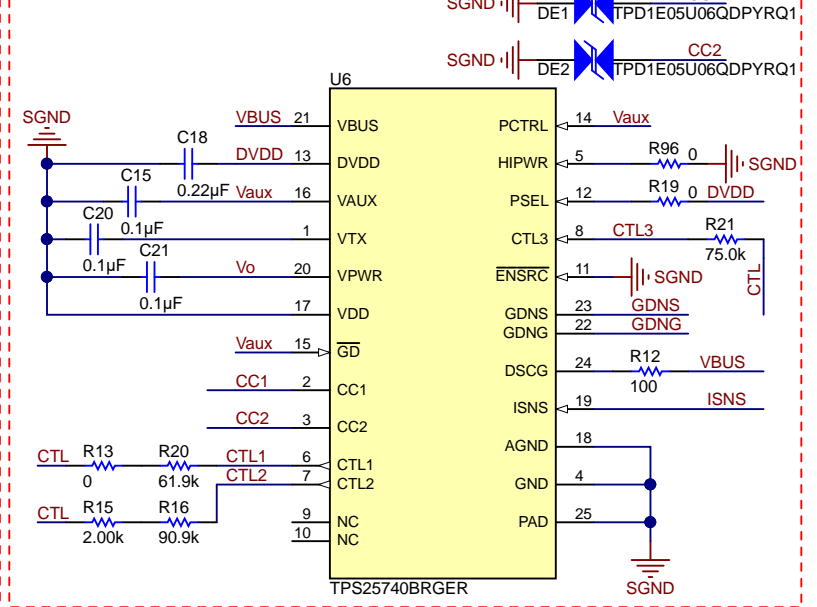
Active Flyback Control Circuit



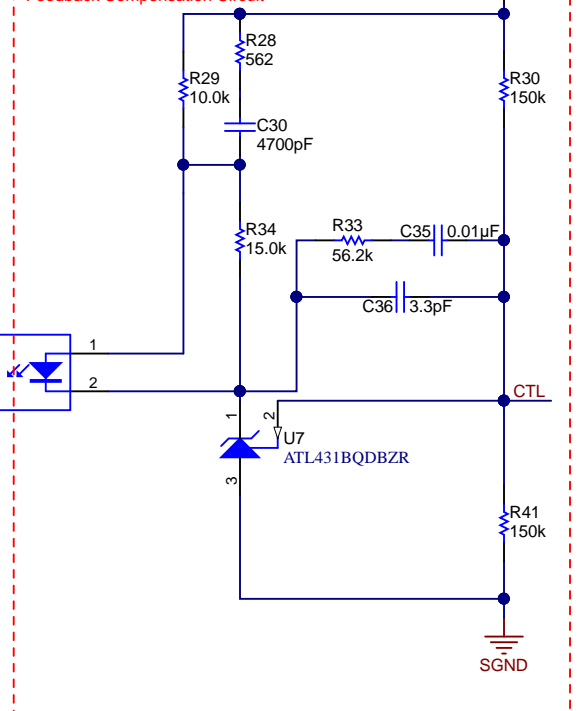
Supply and Driver for SR



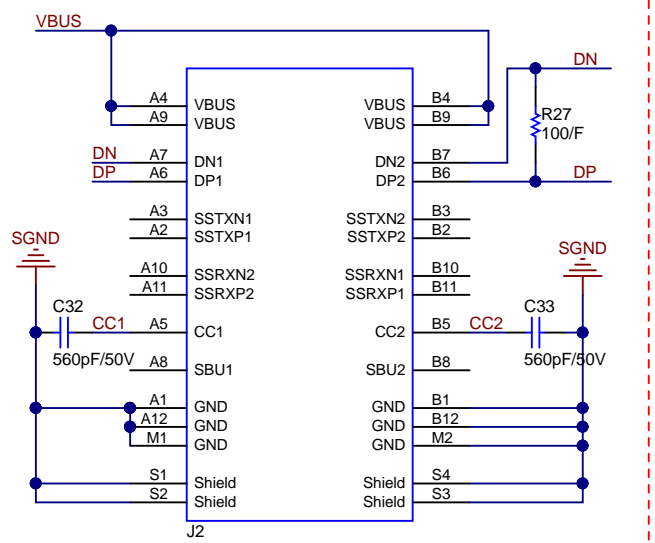
PD Function



Feedback Compensation Circuit



Type-C Connector



Texas Instruments and/or its licensors do not warrant the accuracy or completeness of this specification or any information contained therein. Texas Instruments and/or its licensors do not warrant that this design will meet the specifications, will be suitable for your application or fit for any particular purpose, or will operate in an implementation. Texas Instruments and/or its licensors do not warrant that the design is production worthy. You should completely validate and test your design implementation to confirm the system functionality for your application.

PCB Number: TIDA-01623  
PCB Rev: E1

PCB  
LOGO  
Pb-Free Symbol



Texas Instruments and/or its licensors do not warrant the accuracy or completeness of this specification or any information contained therein. Texas Instruments and/or its licensors do not warrant that this design will meet the specifications, will be suitable for your application or fit for any particular purpose, or will operate in an implementation. Texas Instruments and/or its licensors do not warrant that the design is production worthy. You should completely validate and test your design implementation to confirm the system functionality for your application.

Orderable:	Designed for: <a href="#">Public Release</a>	Mod. Date: 11/2/2018	 <a href="http://www.ti.com">http://www.ti.com</a> © Texas Instruments 2017
TID #: <a href="#">TIDA-01623</a>	Project Title: <a href="#">100W AC/DC Adapter</a>		
Number: <a href="#">TIDA-01623</a>	Rev: <a href="#">E1</a>	Sheet Title: <a href="#">Hardware</a>	
SVN Rev: <a href="#">Version control disabled</a>	Assembly Variant: <a href="#">001</a>	Sheet: <a href="#">4</a> of <a href="#">4</a>	
Drawn By: <a href="#">Cheng Liu</a>	File: <a href="#">TIDA-01623_Hardware.SchDoc</a>	Size: B	
Engineer: <a href="#">Cheng Liu</a>	Contact: <a href="http://www.ti.com/support">http://www.ti.com/support</a>		

## IMPORTANT NOTICE AND DISCLAIMER

TI PROVIDES TECHNICAL AND RELIABILITY DATA (INCLUDING DATASHEETS), DESIGN RESOURCES (INCLUDING REFERENCE DESIGNS), APPLICATION OR OTHER DESIGN ADVICE, WEB TOOLS, SAFETY INFORMATION, AND OTHER RESOURCES "AS IS" AND WITH ALL FAULTS, AND DISCLAIMS ALL WARRANTIES, EXPRESS AND IMPLIED, INCLUDING WITHOUT LIMITATION ANY IMPLIED WARRANTIES OF MERCHANTABILITY, FITNESS FOR A PARTICULAR PURPOSE OR NON-INFRINGEMENT OF THIRD PARTY INTELLECTUAL PROPERTY RIGHTS.

These resources are intended for skilled developers designing with TI products. You are solely responsible for (1) selecting the appropriate TI products for your application, (2) designing, validating and testing your application, and (3) ensuring your application meets applicable standards, and any other safety, security, or other requirements. These resources are subject to change without notice. TI grants you permission to use these resources only for development of an application that uses the TI products described in the resource. Other reproduction and display of these resources is prohibited. No license is granted to any other TI intellectual property right or to any third party intellectual property right. TI disclaims responsibility for, and you will fully indemnify TI and its representatives against, any claims, damages, costs, losses, and liabilities arising out of your use of these resources.

TI's products are provided subject to TI's Terms of Sale ([www.ti.com/legal/termsofsale.html](http://www.ti.com/legal/termsofsale.html)) or other applicable terms available either on [ti.com](http://ti.com) or provided in conjunction with such TI products. TI's provision of these resources does not expand or otherwise alter TI's applicable warranties or warranty disclaimers for TI products.

Mailing Address: Texas Instruments, Post Office Box 655303, Dallas, Texas 75265  
Copyright © 2019, Texas Instruments Incorporated