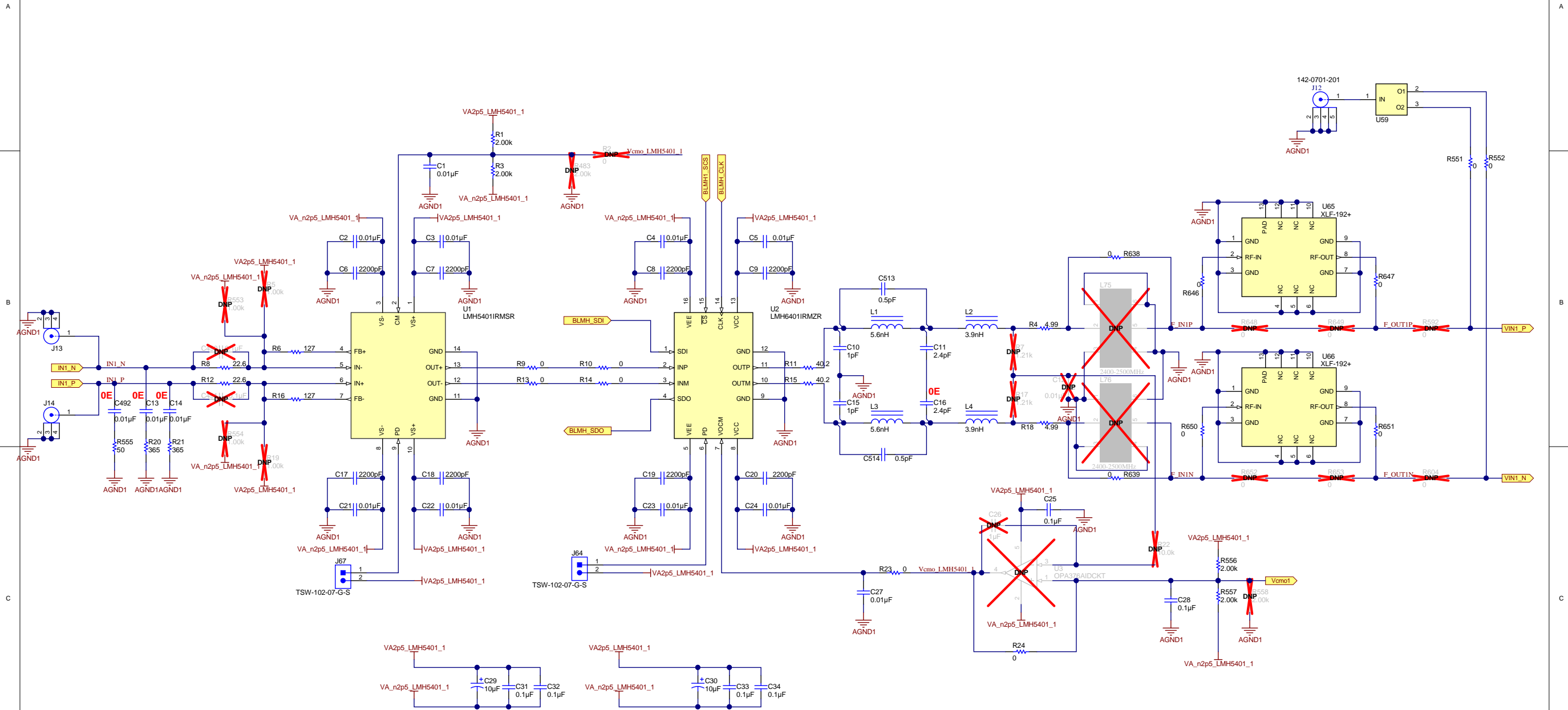


Build on TIDA-01022-E3 PCB and power solution used from TIDA-01027

Orderable: NA	Designed for: Public Release	Mod. Date: 5/15/2019
TID #: 010128	Project Title: TIDA-010128	
Number: TIDA-010128	Rev: E3	Sheet Title: Block Diagram
SVN Rev: Version control disabled	Assembly Variant: TIDA-01022-E3 with TIDA-01027	Page 1 of 26
Drawn By: Avinash N	File: TIDA-01022-E3_CoverSheet.SchDoc	Size: B
Engineer: Anbu Mani	Contact: <a href="http://www.ti.com/support">http://www.ti.com/support</a>	

Texas Instruments and/or its licensors do not warrant the accuracy or completeness of this specification or any information contained therein. Texas Instruments and/or its licensors do not warrant that this design will meet the specifications, will be suitable for your application or fit for any particular purpose, or will operate in an implementation. Texas Instruments and/or its licensors do not warrant that the design is production worthy. You should completely validate and test your design implementation to confirm the system functionality for your application.

# ANALOG INPUT CH-1



Note:  
 1) Replace capacitor ( C492, C13, C14 ) with 0E resistor for DC coupling  
 50 E impedance

Build on TIDA-01022-E3 PCB and power solution used from TIDA-01027

Orderable: NA	Designed for: Public Release	Mod. Date: 3/18/2019
TID #: 010128	Project Title: TIDA-010128	
Number: TIDA-010128	Rev: E3	Sheet Title: ADC ANALOG INP CH1
SVN Rev: Version control disabled	File: TIDA-01022-E3_ADC_ANALOG_INP_CH1.SchDoc	Size: 5
Drawn By: Avinash N	Engineer: Anbu Mani	Contact: <a href="http://www.ti.com/support">http://www.ti.com/support</a>



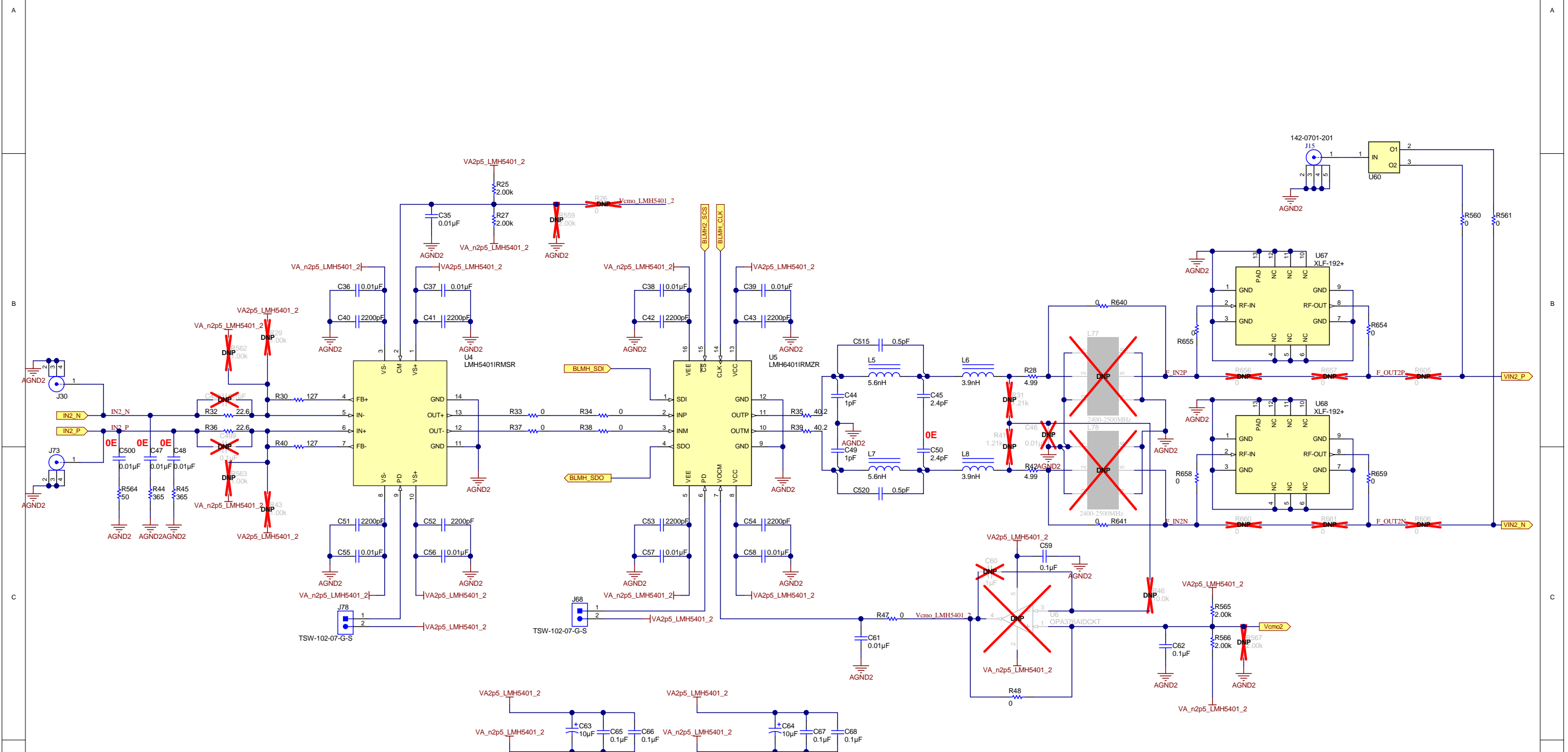
Texas Instruments and/or its licensors do not warrant the accuracy or completeness of this specification or any information contained therein. Texas Instruments and/or its licensors do not warrant that this design will meet the specifications, will be suitable for your application or fit for any particular purpose, or will operate in an implementation. Texas Instruments and/or its licensors do not warrant that the design is production worthy. You should completely validate and test your design implementation to confirm the system functionality for your application.

Texas Instruments and/or its licensors do not warrant the accuracy or completeness of this specification or any information contained therein. Texas Instruments and/or its licensors do not warrant that this design will meet the specifications, will be suitable for your application or fit for any particular purpose, or will operate in an implementation. Texas Instruments and/or its licensors do not warrant that the design is production worthy. You should completely validate and test your design implementation to confirm the system functionality for your application.

Orderable: <a href="#">NA</a>	Designed for: <a href="#">Public Release</a>	Mod. Date: 5/8/2018
TID #: <a href="#">010128</a>	Project Title: <a href="#">TIDA-010128</a>	
Number: <a href="#">TIDA-010128</a>	Rev: <a href="#">E3</a>	Sheet Title:
SVN Rev: <a href="#">Version control disabled</a>	Assembly Variant: <a href="#">TIDA-01022_E3_with_TIDA-010128</a>	of <a href="#">3</a>
Drawn By:	File: <a href="#">Sheet1.SchDoc</a>	Size: B
Engineer: <a href="#">Anbu Mani</a>	Contact: <a href="http://www.ti.com/support">http://www.ti.com/support</a>	



# ANALOG INPUT CH-2



Note:  
 1) Replace capacitor (C500, C47, C48) with 0E resistor for DC coupling  
 50 E impedance

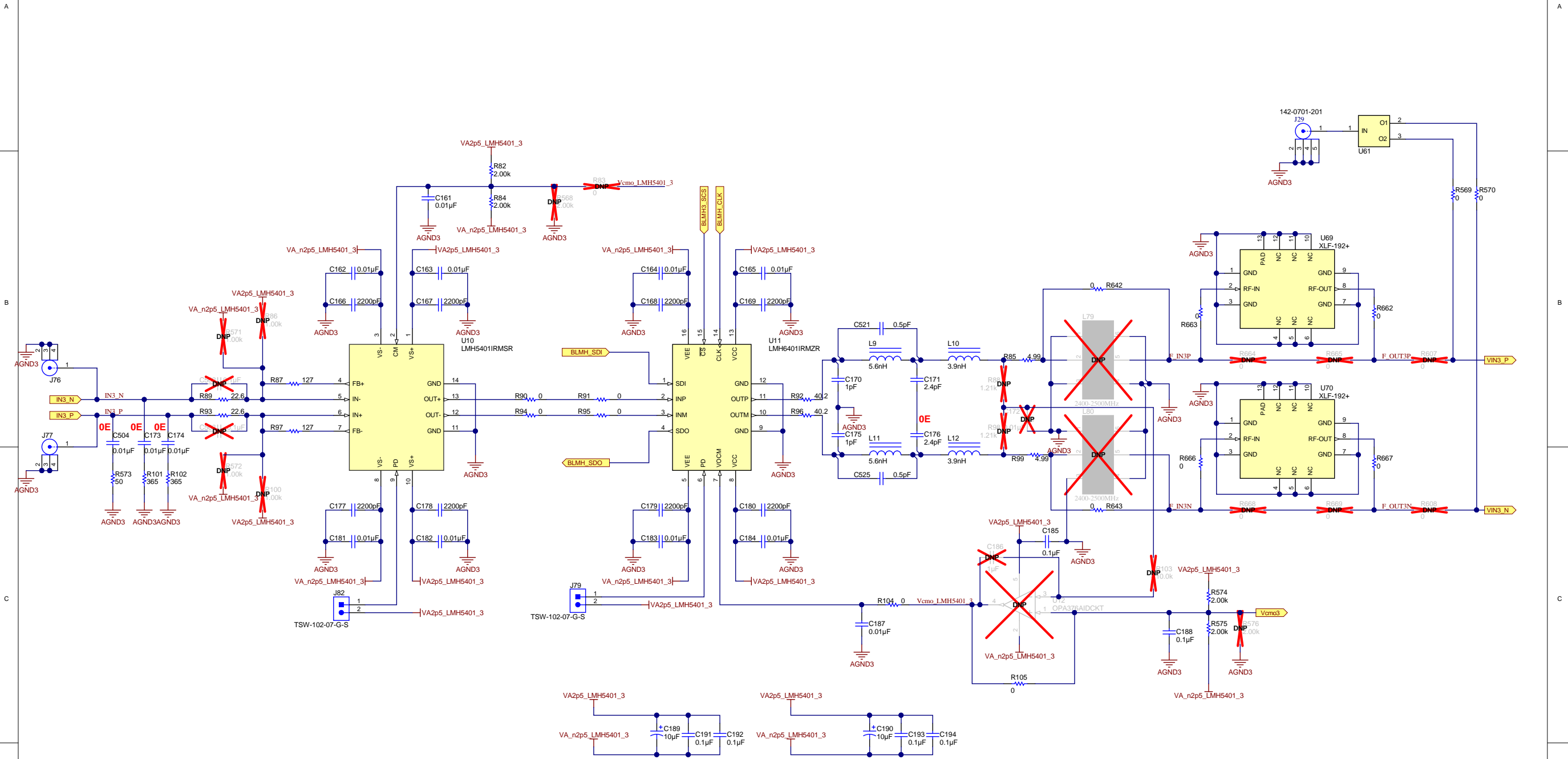
Build on TIDA-01022-E3 PCB and power solution used from TIDA-01027

Orderable: NA	Designed for: Public Release	Mod. Date: 3/5/2019
TID #: 010128	Project Title: TIDA-010128	
Number: TIDA-010128	Rev: E3	Sheet Title: ADC12DJxx00_CH2
SVN Rev: Version control disabled	File: TIDA-01022-E3_ADC_ANALOG_INP_CH2_Sch.Dwg	Size: B
Drawn By: Avinash N	Engineer: Anbu Mani	Contact: <a href="http://www.ti.com/support">http://www.ti.com/support</a>



Texas Instruments and/or its licensors do not warrant the accuracy or completeness of this specification or any information contained therein. Texas Instruments and/or its licensors do not warrant that this design will meet the specifications, will be suitable for your application or fit for any particular purpose, or will operate in an implementation. Texas Instruments and/or its licensors do not warrant that the design is production worthy. You should completely validate and test your design implementation to confirm the system functionality for your application.

# ANALOG INPUT CH-3



Note:  
 1) Replace capacitor ( C504, C173, C174) with 0E resistor for DC coupling  
 50 E impedance

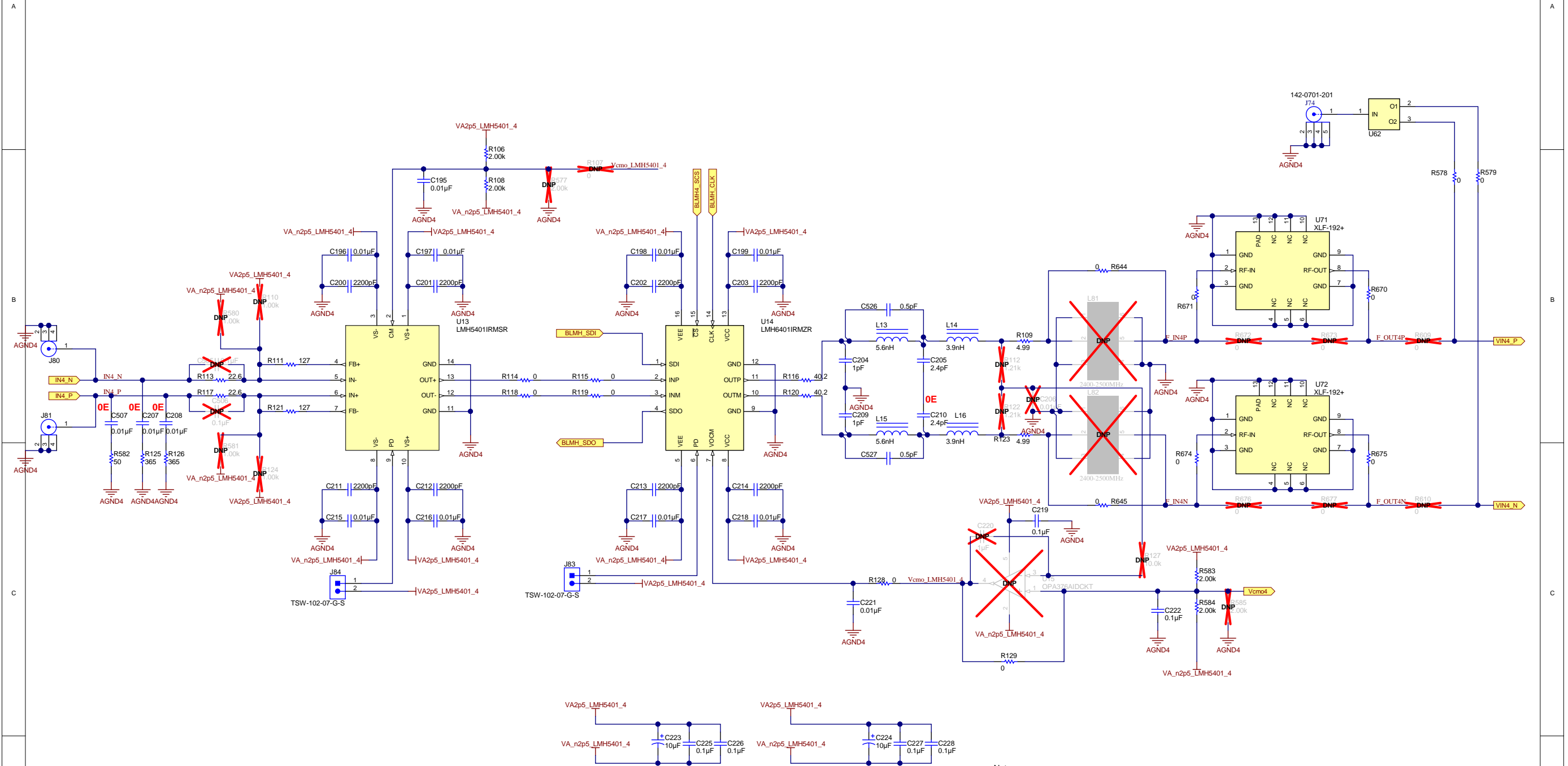
Build on TIDA-01022-E3 PCB and power solution used from TIDA-01027

Orderable: NA	Designed for: Public Release	Mod. Date: 3/5/2019
TID #: 010128	Project Title: TIDA-010128	
Number: TIDA-010128	Rev: E3	Sheet Title: ADC12DJxx00_CH3
SVN Rev: Version control disabled	File: TIDA-01022-E3_ADC_ANALOG_INP_CH3.SchDwg	Size: B
Drawn By: Avinash N	Engineer: Anbu Mani	Contact: http://www.ti.com/support

Texas Instruments and/or its licensors do not warrant the accuracy or completeness of this specification or any information contained therein. Texas Instruments and/or its licensors do not warrant that this design will meet the specifications, will be suitable for your application or fit for any particular purpose, or will operate in an implementation. Texas Instruments and/or its licensors do not warrant that the design is production worthy. You should completely validate and test your design implementation to confirm the system functionality for your application.



# ANALOG INPUT CH-4



Note:  
 1) Replace capacitor (C507, C207, C208) with 0E resistor for DC coupling  
 50 E impedance

Build on TIDA-01022-E3 PCB and power solution used from TIDA-01027

Orderable: NA	Designed for: Public Release	Mod. Date: 3/5/2019
TID #: 010128	Project Title: TIDA-010128	
Number: TIDA-010128	Rev: E3	Sheet Title: ADC12DJxx00_CH4
SVN Rev: Version control disabled	File: TIDA-01022-E3_ADC_ANALOG_INP_CH4.SchDoc	Size: 26
Drawn By: Avinash N	Engineer: Anbu Mani	Contact: http://www.ti.com/support

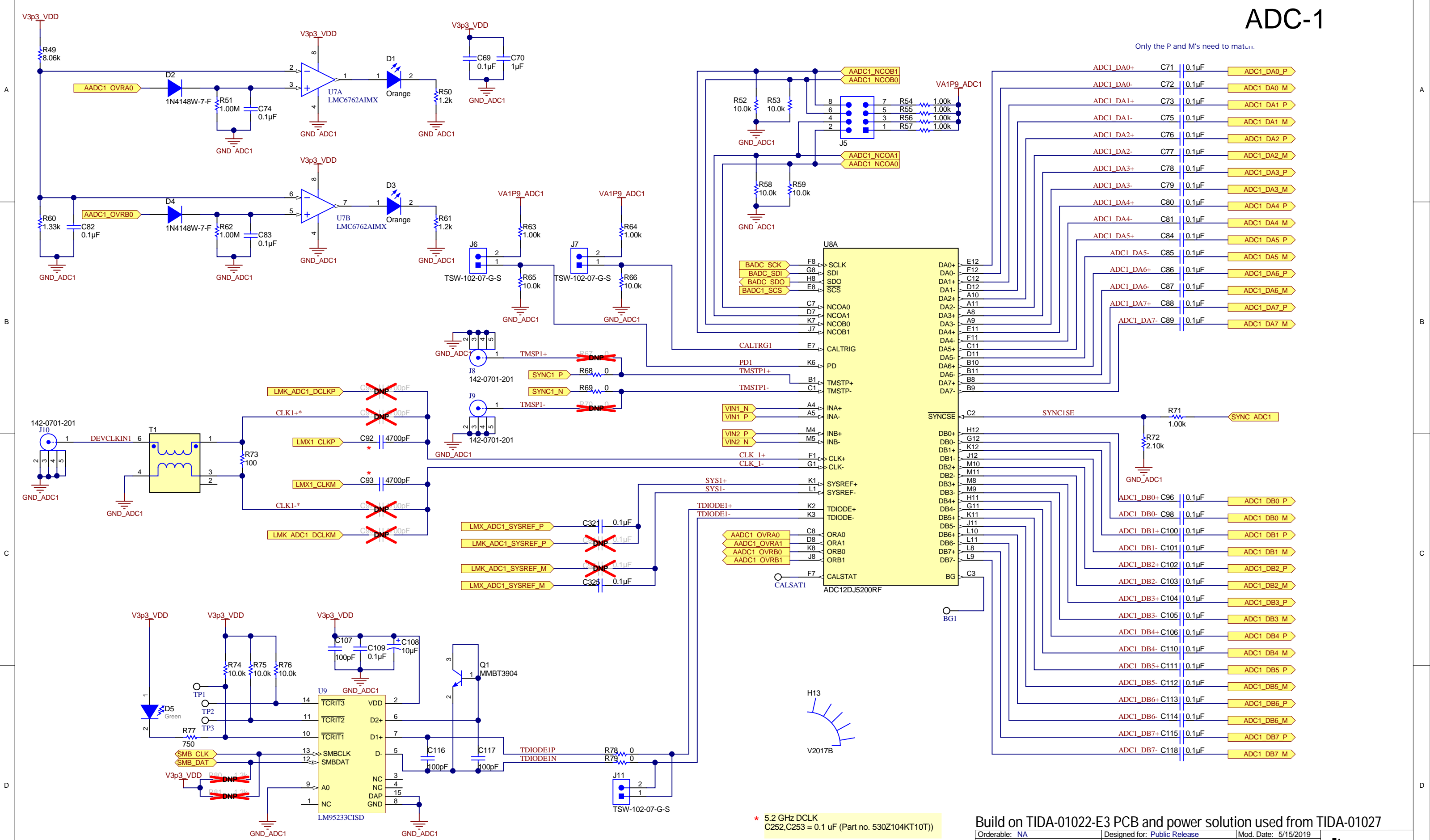
Texas Instruments and/or its licensors do not warrant the accuracy or completeness of this specification or any information contained therein. Texas Instruments and/or its licensors do not warrant that this design will meet the specifications, will be suitable for your application or fit for any particular purpose, or will operate in an implementation. Texas Instruments and/or its licensors do not warrant that the design is production worthy. You should completely validate and test your design implementation to confirm the system functionality for your application.



TEXAS INSTRUMENTS  
 http://www.ti.com  
 © Texas Instruments 2017

# ADC-1

Only the P and M's need to match.



\* 5.2 GHz DCLK  
C252, C253 = 0.1 uF (Part no. 530Z104KT10T)

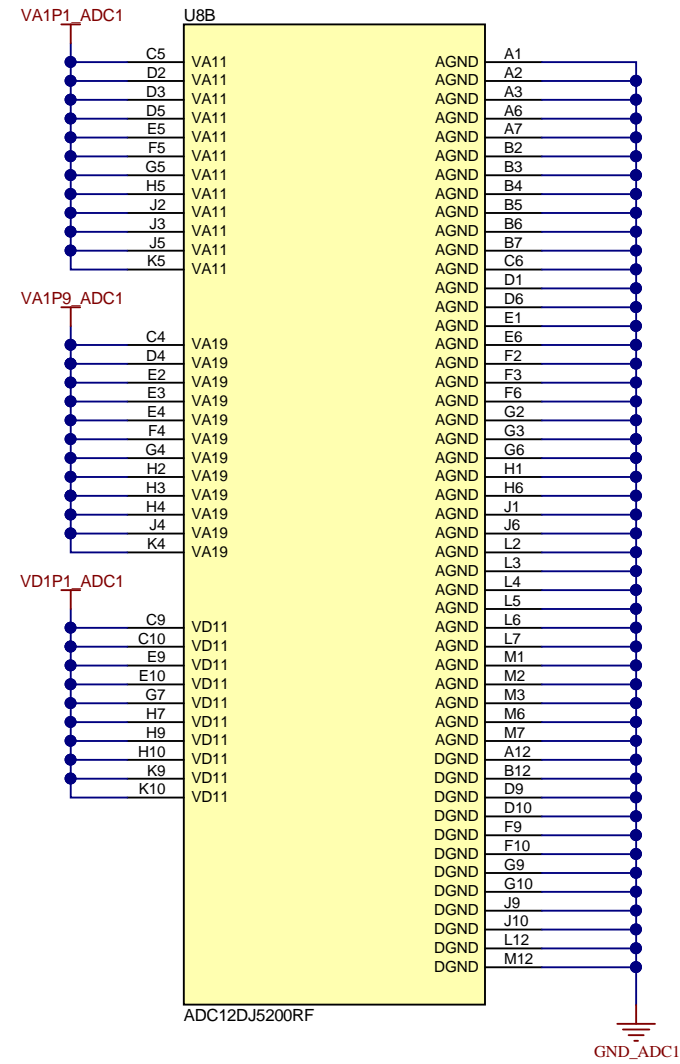
Build on TIDA-01022-E3 PCB and power solution used from TIDA-01027

Orderable: NA	Designed for: Public Release	Mod. Date: 5/15/2019
TID #: 010128	Project Title: TIDA-010128	
Number: TIDA-010128	Rev: E3	Sheet Title: ADC12DJxx00_1
SVN Rev: Version control disabled	Assembly Variant: TIDA-01022-E3 with TIDA-01027	Page: 26
Drawn By: Avinash N	File: TIDA-01022-E3_ADC12DJxx00_1.SchDoc	Size: B
Engineer: Anbu Mani	Contact: <a href="http://www.ti.com/support">http://www.ti.com/support</a>	

Texas Instruments and/or its licensors do not warrant the accuracy or completeness of this specification or any information contained therein. Texas Instruments and/or its licensors do not warrant that this design will meet the specifications, will be suitable for your application or fit for any particular purpose, or will operate in an implementation. Texas Instruments and/or its licensors do not warrant that the design is production worthy. You should completely validate and test your design implementation to confirm the system functionality for your application.



# ADC-1



Build on TIDA-01022-E3 PCB and power solution used from TIDA-01027

Orderable: NA	Designed for: Public Release	Mod. Date: 3/18/2019
TID #: 010128	Project Title: TIDA-010128	
Number: TIDA-010128	Rev: E3	Sheet Title: ADC12DJxx00_1PWR
SVN Rev: Version control disabled	Assembly Variant: TIDA-01022-E3 with TIDA-01027	of 26
Drawn By: Avinash N	File: TIDA-01022-E3_ADC12DJxx00_1PWR.SchDoc	Size: B
Engineer: Anbu Mani	Contact: <a href="http://www.ti.com/support">http://www.ti.com/support</a>	



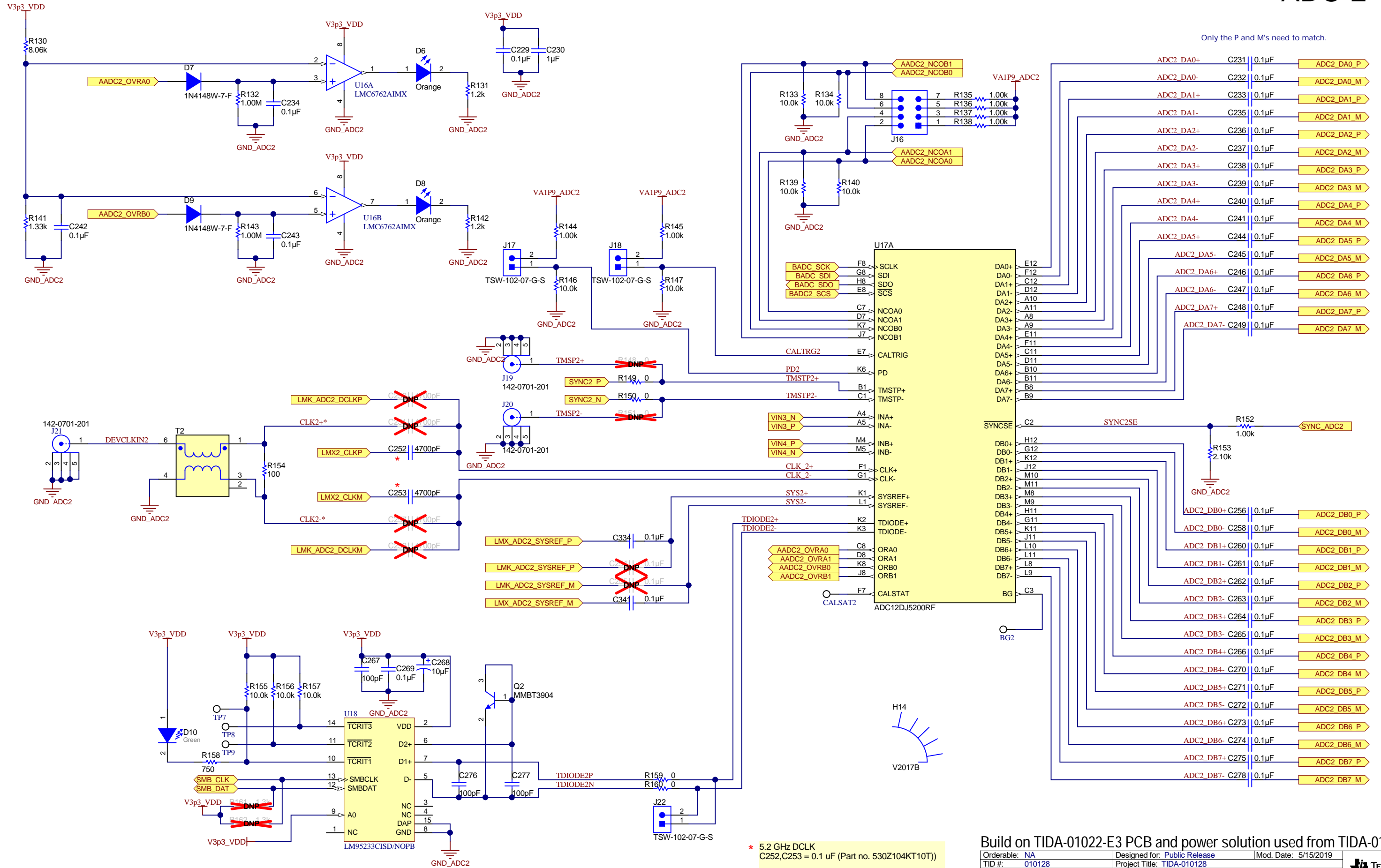
Texas Instruments and/or its licensors do not warrant the accuracy or completeness of this specification or any information contained therein. Texas Instruments and/or its licensors do not warrant that this design will meet the specifications, will be suitable for your application or fit for any particular purpose, or will operate in an implementation. Texas Instruments and/or its licensors do not warrant that the design is production worthy. You should completely validate and test your design implementation to confirm the system functionality for your application.

© Texas Instruments 2017



# ADC-2

Only the P and M's need to match.



\* 5.2 GHz DCLK  
C252, C253 = 0.1 uF (Part no. 530Z104KT10T)

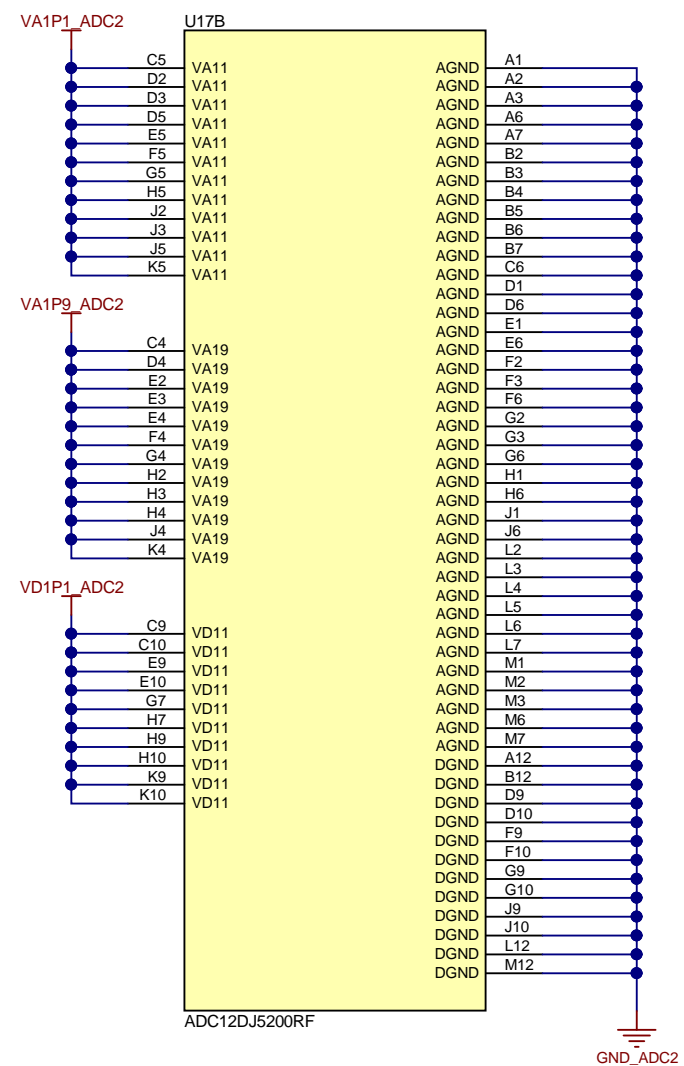
Build on TIDA-01022-E3 PCB and power solution used from TIDA-01027

Orderable: NA	Designed for: Public Release	Mod. Date: 5/15/2019
TID #: 010128	Project Title: TIDA-010128	
Number: TIDA-010128	Rev: E3	Sheet Title: ADC12DJxx00_2
SVN Rev: Version control disabled	Assembly Variant: TIDA-01022-E3 with TIDA-01027	Page 26 of 26
Drawn By: Avinash N	File: TIDA-01022-E3_ADC12DJxx00_2.SchDoc	Size: B
Engineer: Anbu Mani	Contact: <a href="http://www.ti.com/support">http://www.ti.com/support</a>	



Texas Instruments and/or its licensors do not warrant the accuracy or completeness of this specification or any information contained therein. Texas Instruments and/or its licensors do not warrant that this design will meet the specifications, will be suitable for your application or fit for any particular purpose, or will operate in an implementation. Texas Instruments and/or its licensors do not warrant that the design is production worthy. You should completely validate and test your design implementation to confirm the system functionality for your application.

# ADC-2



Build on TIDA-01022-E3 PCB and power solution used from TIDA-01027

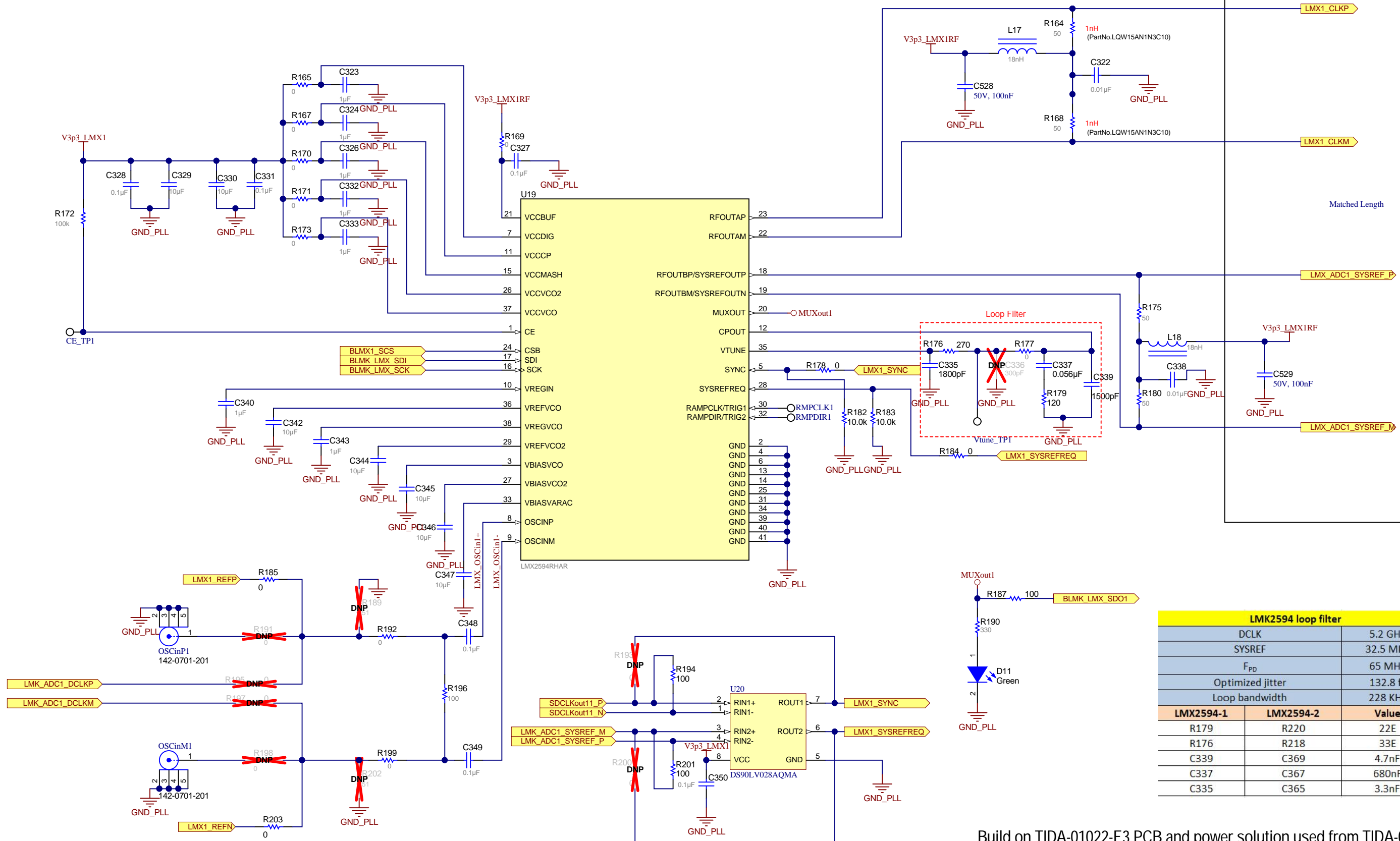
Orderable: NA	Designed for: Public Release	Mod. Date: 3/18/2019
TID #: 010128	Project Title: TIDA-010128	
Number: TIDA-010128	Rev: E3	Sheet Title: ADC12DJxx00_1PWR
SVN Rev: Version control disabled	Assembly Variant: TIDA-01022-E3 with TIDA-01027 of 26	
Drawn By: Avinash N	File: TIDA-01022-E3_ADC12DJxx00_2PWR.SchDoc	Size: B
Engineer: Anbu Mani	Contact: <a href="http://www.ti.com/support">http://www.ti.com/support</a>	



Texas Instruments and/or its licensors do not warrant the accuracy or completeness of this specification or any information contained therein. Texas Instruments and/or its licensors do not warrant that this design will meet the specifications, will be suitable for your application or fit for any particular purpose, or will operate in an implementation. Texas Instruments and/or its licensors do not warrant that the design is production worthy. You should completely validate and test your design implementation to confirm the system functionality for your application.

© Texas Instruments 2017

# LMX2594 -1



LMX2594 loop filter		
DCLK		5.2 GHz
SYSREF		32.5 MHz
F <sub>PD</sub>		65 MHz
Optimized jitter		132.8 fs
Loop bandwidth		228 KHz
LMX2594-1	LMX2594-2	Value
R179	R220	22E
R176	R218	33E
C339	C369	4.7nF
C337	C367	680nF
C335	C365	3.3nF

Build on TIDA-01022-E3 PCB and power solution used from TIDA-01027

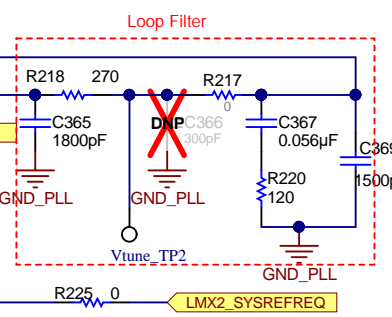
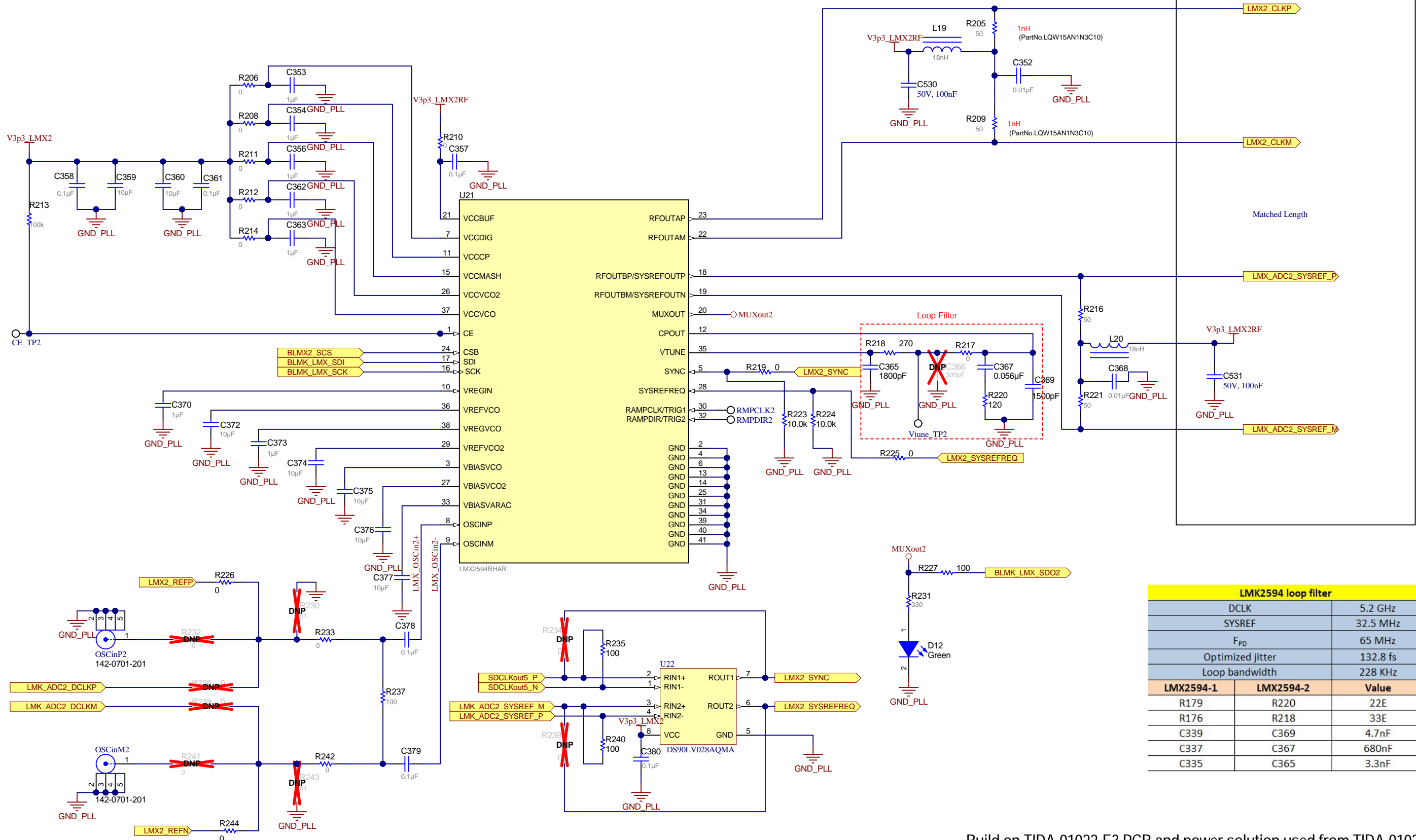
Orderable: NA	Designed for: Public Release	Mod. Date: 5/15/2019
TID #: 010128	Project Title: TIDA-010128	
Number: TIDA-010128	Rev: E3	Sheet Title: LMX2594R
SVN Rev: Version control disabled	Assembly Variant: TIDA-01022_E3_with_TIDA-01027	Page 10 of 26
Drawn By: Avinash N	File: TIDA-01022-E3_LMX2594R_1.SchDoc	Size: B
Engineer: Anbu Mani	Contact: <a href="http://www.ti.com/support">http://www.ti.com/support</a>	

Texas Instruments and/or its licensors do not warrant the accuracy or completeness of this specification or any information contained therein. Texas Instruments and/or its licensors do not warrant that this design will meet the specifications, will be suitable for your application or fit for any particular purpose, or will operate in an implementation. Texas Instruments and/or its licensors do not warrant that the design is production worthy. You should completely validate and test your design implementation to confirm the system functionality for your application.



© Texas Instruments 2017

# LMX2594 -2



LMK2594 loop filter		
DCLK		5.2 GHz
SYSREF		32.5 MHz
F <sub>PD</sub>		65 MHz
Optimized jitter		132.8 fs
Loop bandwidth		228 KHz
LMX2594-1	LMX2594-2	Value
R179	R220	22E
R176	R218	33E
C339	C369	4.7nF
C337	C367	680nF
C335	C365	3.3nF

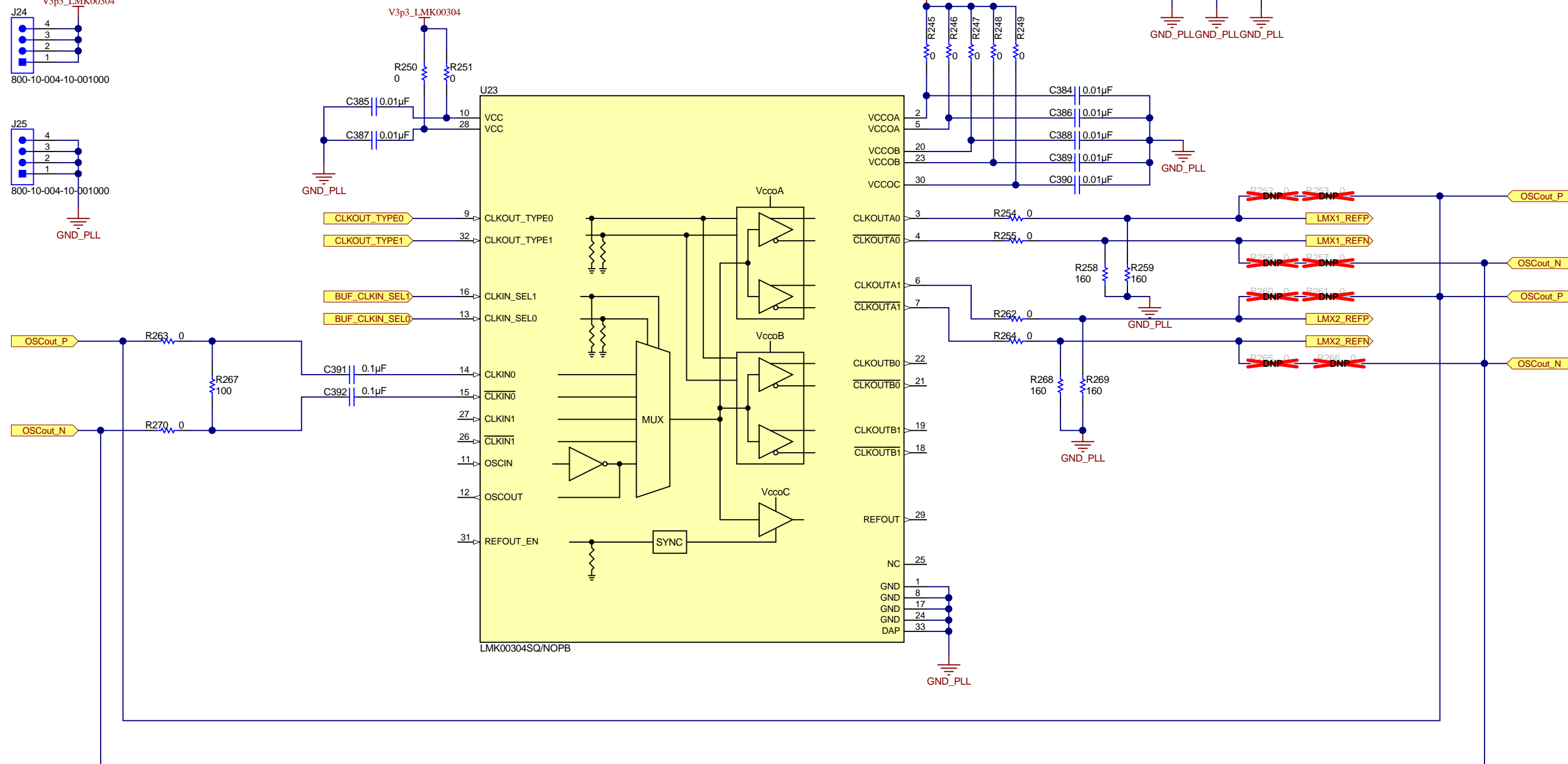
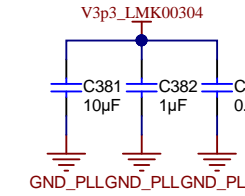
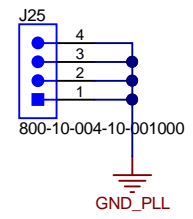
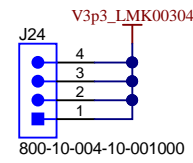
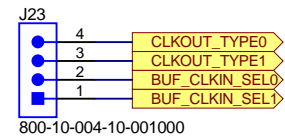
Build on TIDA-01022-E3 PCB and power solution used from TIDA-01027

Orderable: NA	Designed for: Public Release	Mod. Date: 5/15/2019
TID #: 010128	Project Title: TIDA-010128	
Number: TIDA-010128	Rev: E3	Sheet Title: LMX2594R
SVN Rev: Version control disabled	Assembly Variant: TIDA-01022-E3 with TIDA-01027	Page 11 of 26
Drawn By: Avinash N	File: TIDA-01022-E3_LMX2594R_2_SchDoc	Size: B
Engineer: Anbu Mani	Contact: <a href="http://www.ti.com/support">http://www.ti.com/support</a>	

Texas Instruments and/or its licensors do not warrant the accuracy or completeness of this specification or any information contained therein. Texas Instruments and/or its licensors do not warrant that this design will meet the specifications, will be suitable for your application or fit for any particular purpose, or will operate in an implementation. Texas Instruments and/or its licensors do not warrant that the design is production worthy. You should completely validate and test your design implementation to confirm the system functionality for your application.



# CLOCK BUFFER/MUX

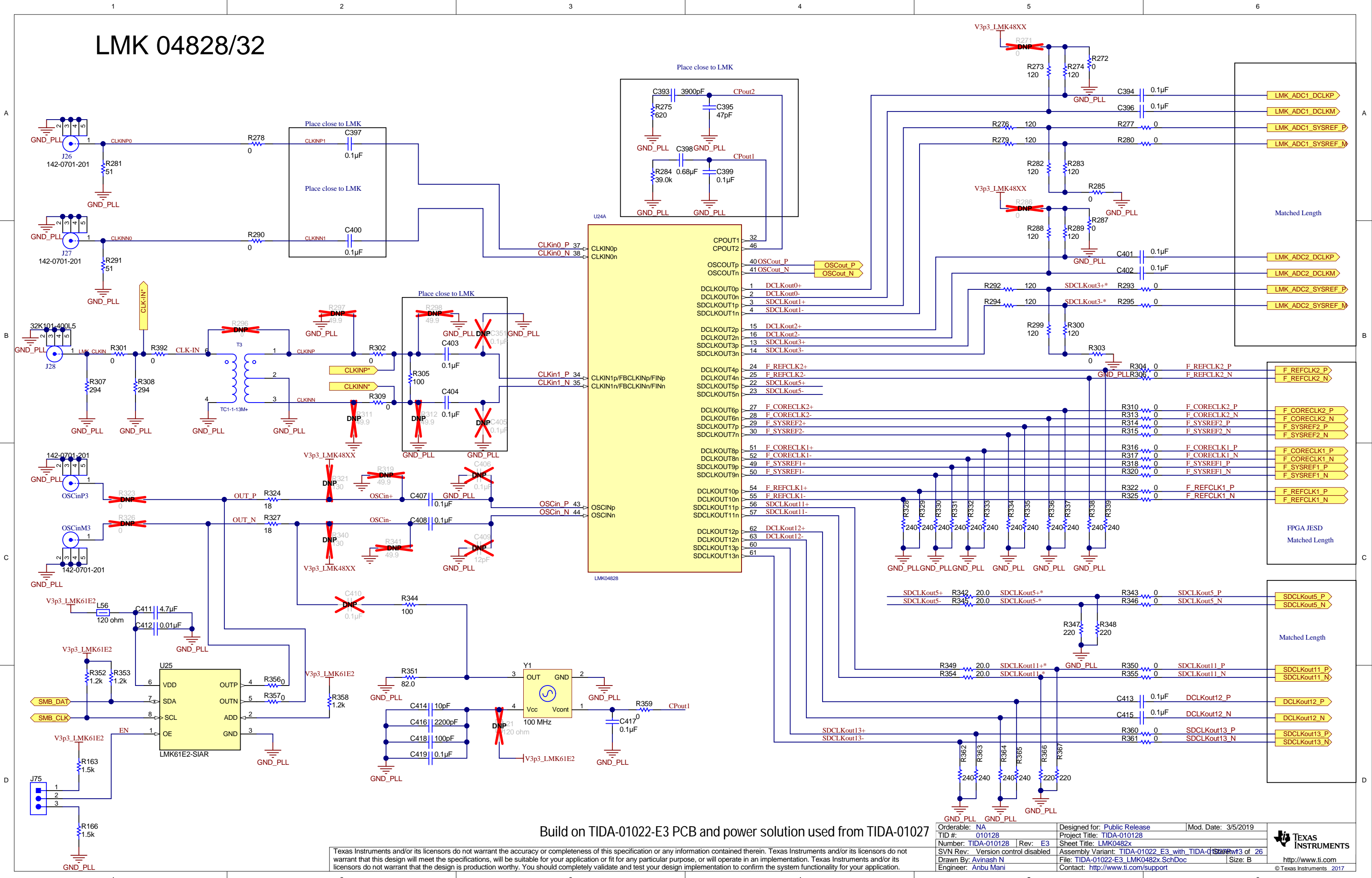


Build on TIDA-01022-E3 PCB and power solution used from TIDA-01027

Orderable: NA	Designed for: Public Release	Mod. Date: 3/5/2019
TID #: 010128	Project Title: TIDA-010128	
Number: TIDA-010128	Rev: E3	Sheet Title: LMK00304_Buffer
SVN Rev: Version control disabled	Assembly Variant: TIDA-01022-E3_with_TIDA-01027	Sheet 2 of 26
Drawn By: Avinash N	File: TIDA-01022-E3_LMK00304_Buffer.SchDoc	Size: B
Engineer: Anbu Mani	Contact: <a href="http://www.ti.com/support">http://www.ti.com/support</a>	

Texas Instruments and/or its licensors do not warrant the accuracy or completeness of this specification or any information contained therein. Texas Instruments and/or its licensors do not warrant that this design will meet the specifications, will be suitable for your application or fit for any particular purpose, or will operate in an implementation. Texas Instruments and/or its licensors do not warrant that the design is production worthy. You should completely validate and test your design implementation to confirm the system functionality for your application.

# LMK 04828/32



Build on TIDA-01022-E3 PCB and power solution used from TIDA-01027

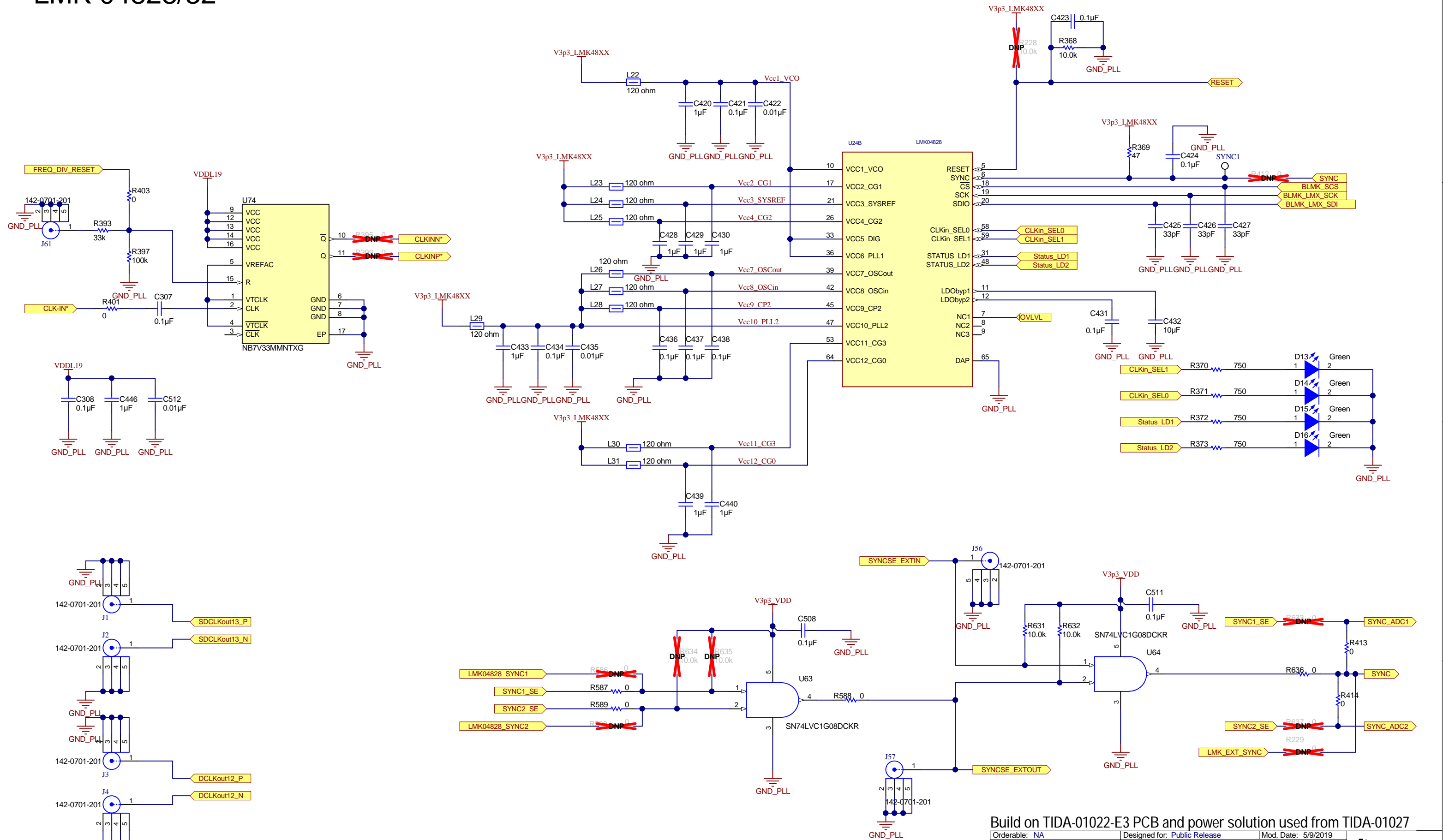
Texas Instruments and/or its licensors do not warrant the accuracy or completeness of this specification or any information contained therein. Texas Instruments and/or its licensors do not warrant that this design will meet the specifications, will be suitable for your application or fit for any particular purpose, or will operate in an implementation. Texas Instruments and/or its licensors do not warrant that the design is production worthy. You should completely validate and test your design implementation to confirm the system functionality for your application.

Orderable: NA	Designed for: Public Release	Mod. Date: 3/5/2019
TID #: 010128	Project Title: TIDA-010128	
Number: TIDA-010128	Rev: E3	Sheet Title: LMK0482x
SVN Rev: Version control disabled	Assembly Variant: TIDA-01022-E3_with_TIDA-01027	Page 3 of 26
Drawn By: Avinash N	File: TIDA-01022-E3_LMK0482x.SchDoc	Size: B
Engineer: Anbu Mani	Contact: <a href="http://www.ti.com/support">http://www.ti.com/support</a>	



© Texas Instruments 2017

# LMK 04828/32



Texas Instruments and/or its licensors do not warrant the accuracy or completeness of this specification or any information contained therein. Texas Instruments and/or its licensors do not warrant that this design will meet the specifications, will be suitable for your application or fit for any particular purpose, or will operate in an implementation. Texas Instruments and/or its licensors do not warrant that the design is production worthy. You should completely validate and test your design implementation to confirm the system functionality for your application.

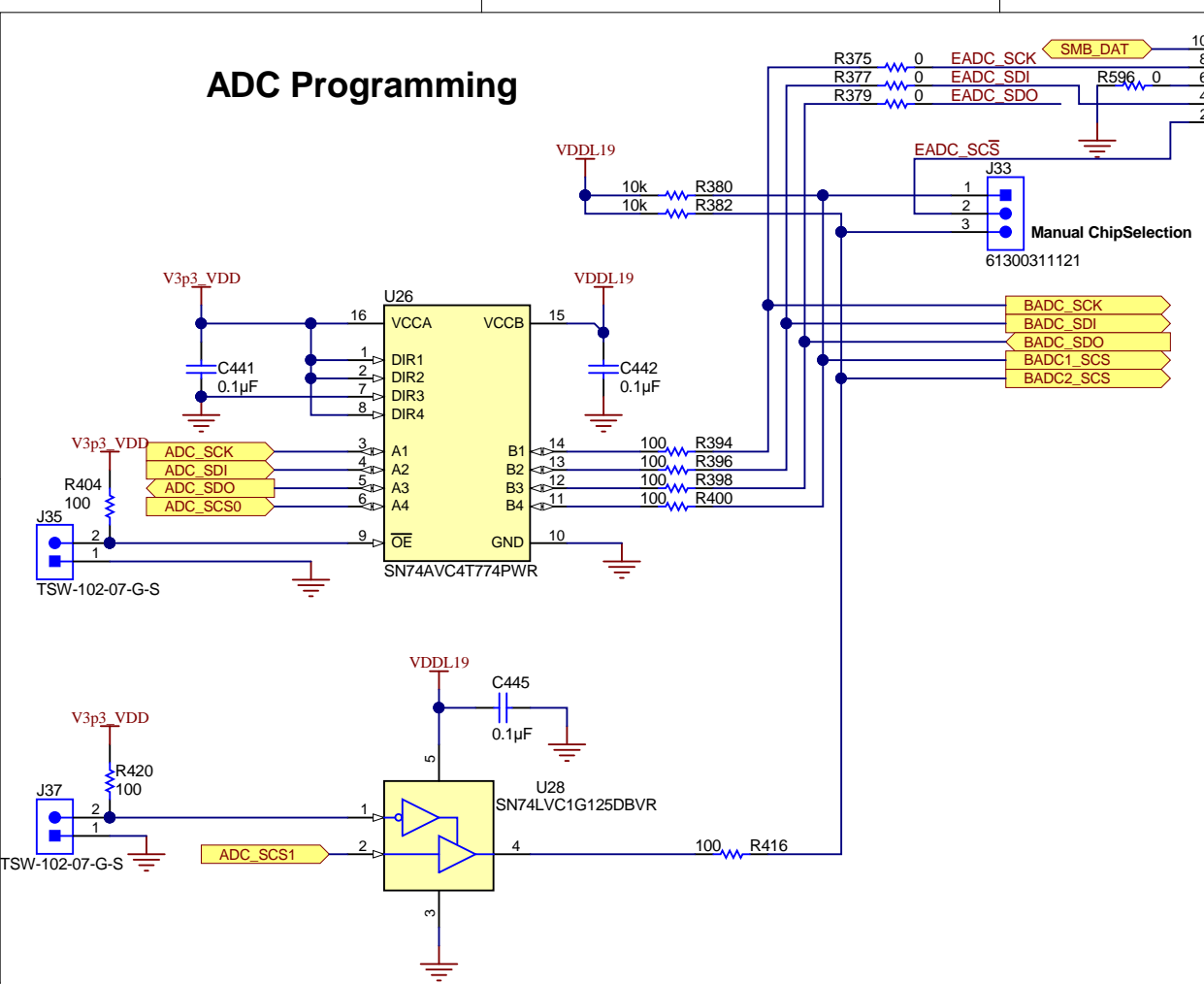
Build on TIDA-01022-E3 PCB and power solution used from TIDA-01027

Orderable: NA	Designed for: Public Release	Mod. Date: 5/9/2019
TID #: 010128	Project Title: TIDA-010128	
Number: TIDA-010128	Rev: E3	Sheet Title: LMK0482x_PWR
SVN Rev: Version control disabled	Assembly Variant: TIDA-01022-E3 with TIDA-01027	Size: B
Drawn By: Avinash N	File: TIDA-01022-E3_LMK0482x_PWR.SchDoc	
Engineer: Anbu Mani	Contact: <a href="http://www.ti.com/support">http://www.ti.com/support</a>	

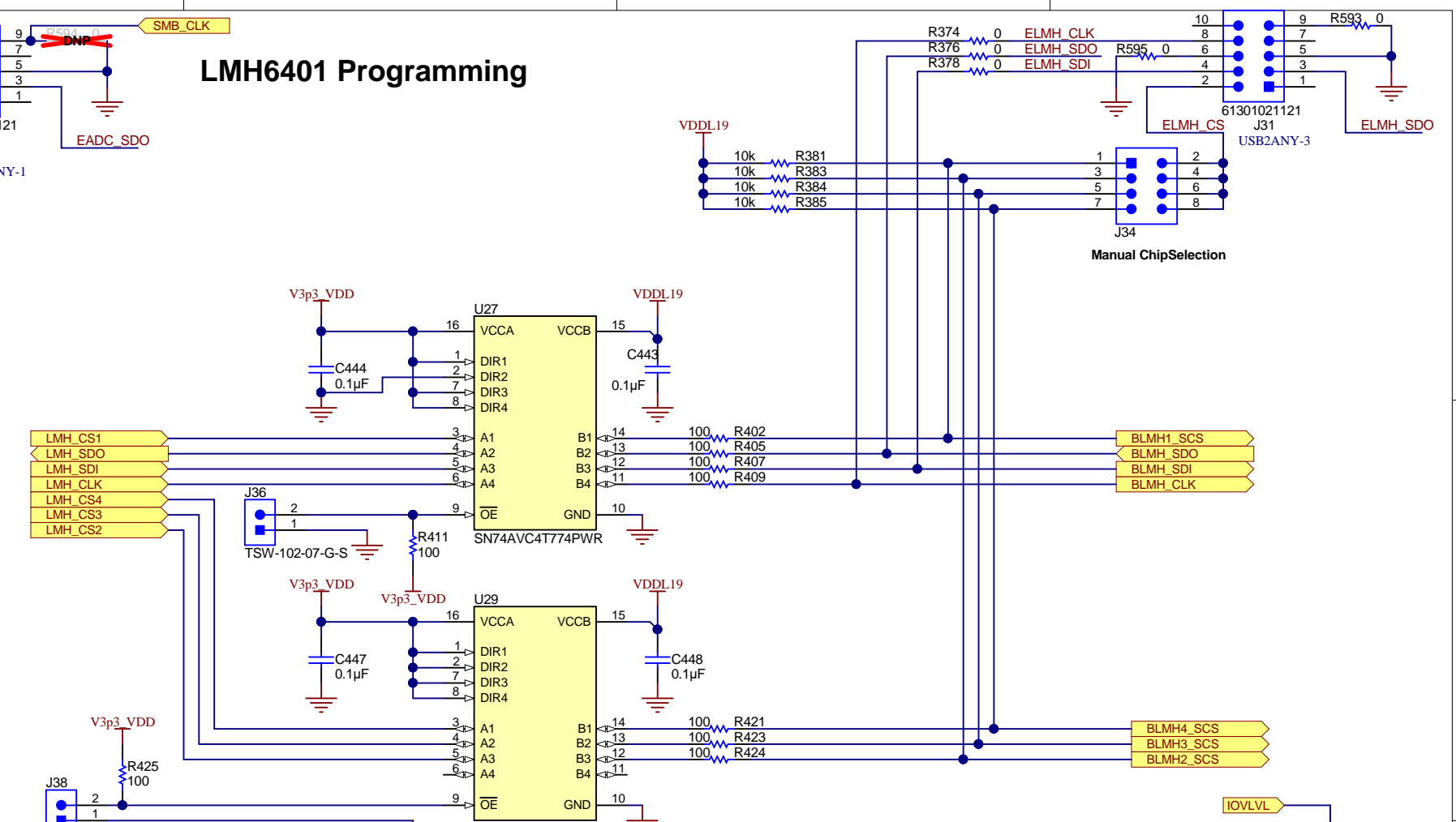


© Texas Instruments 2017

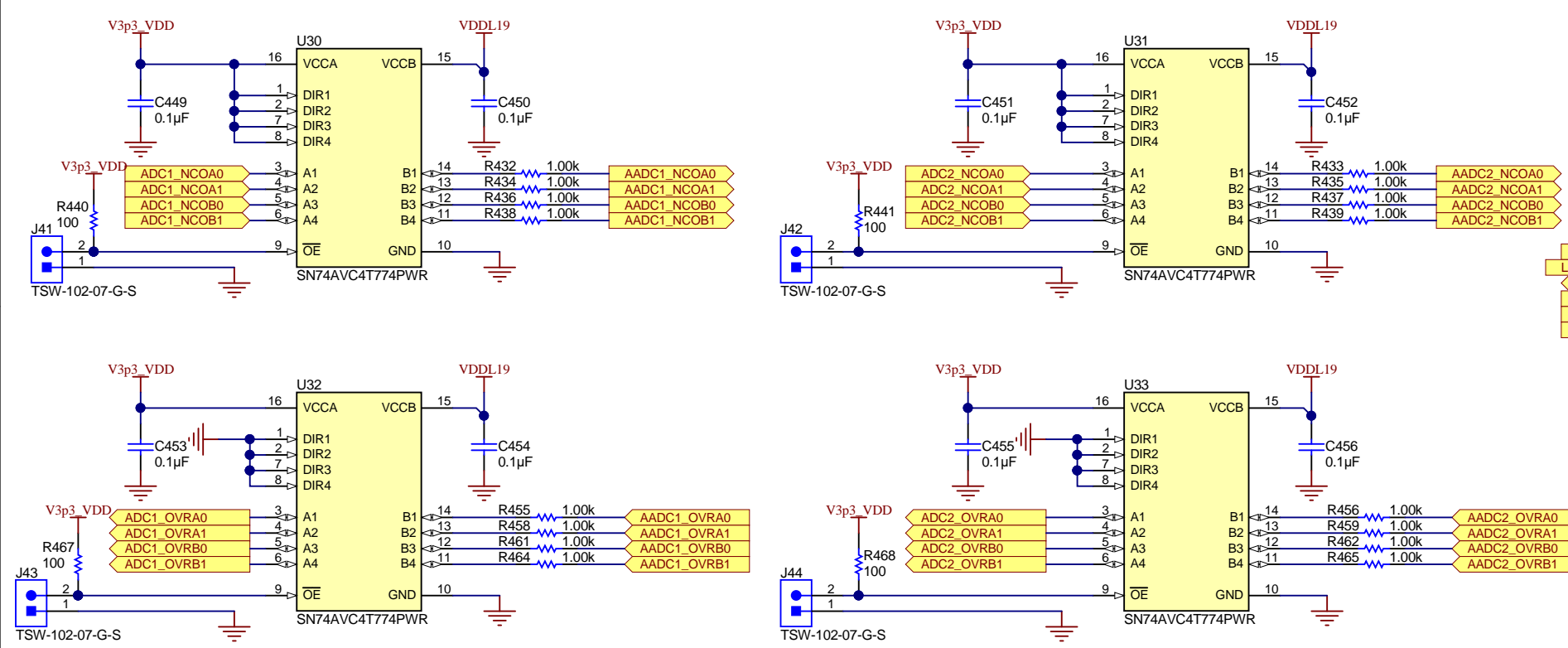
### ADC Programming



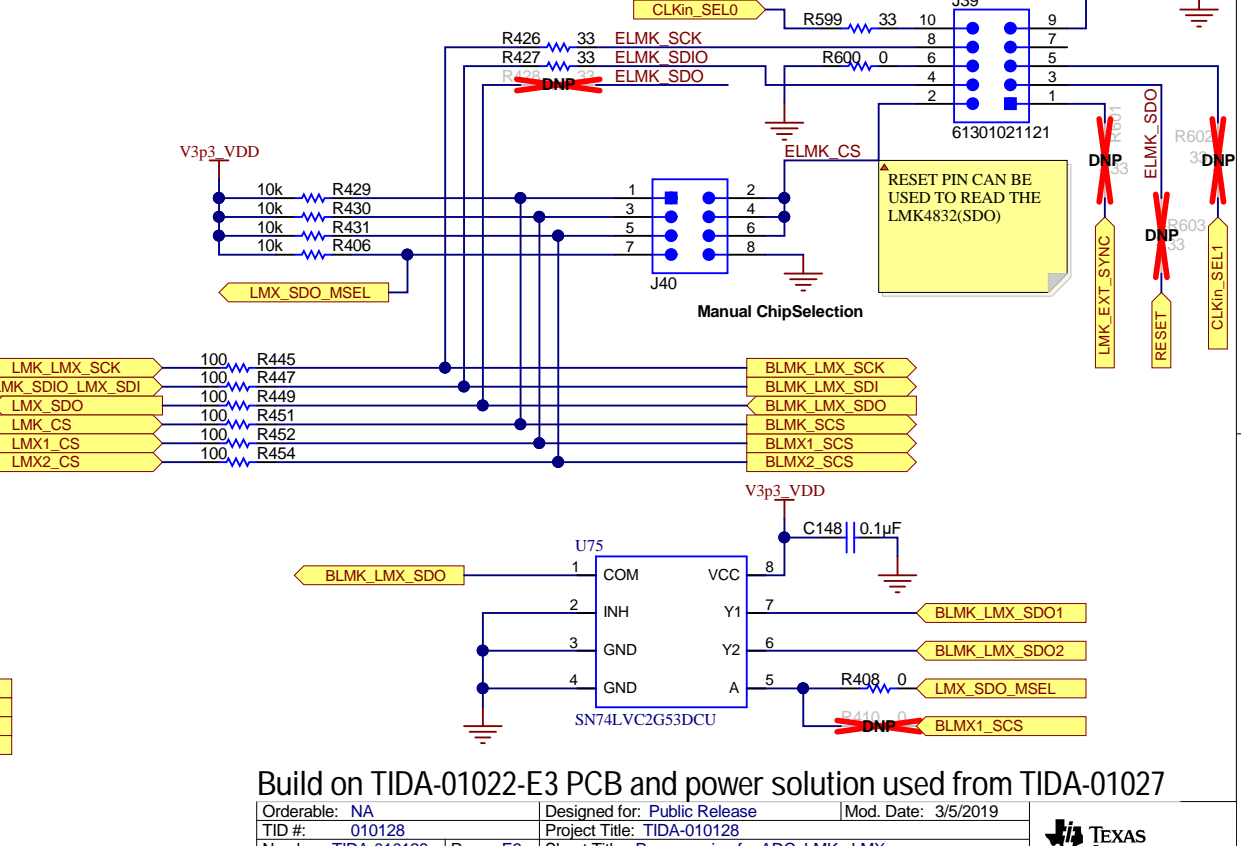
### LMH6401 Programming



### ADC1 & 2 OverRange & NCO Selection



### LMK04828 & LMX2594 Programming



**Build on TIDA-01022-E3 PCB and power solution used from TIDA-01027**

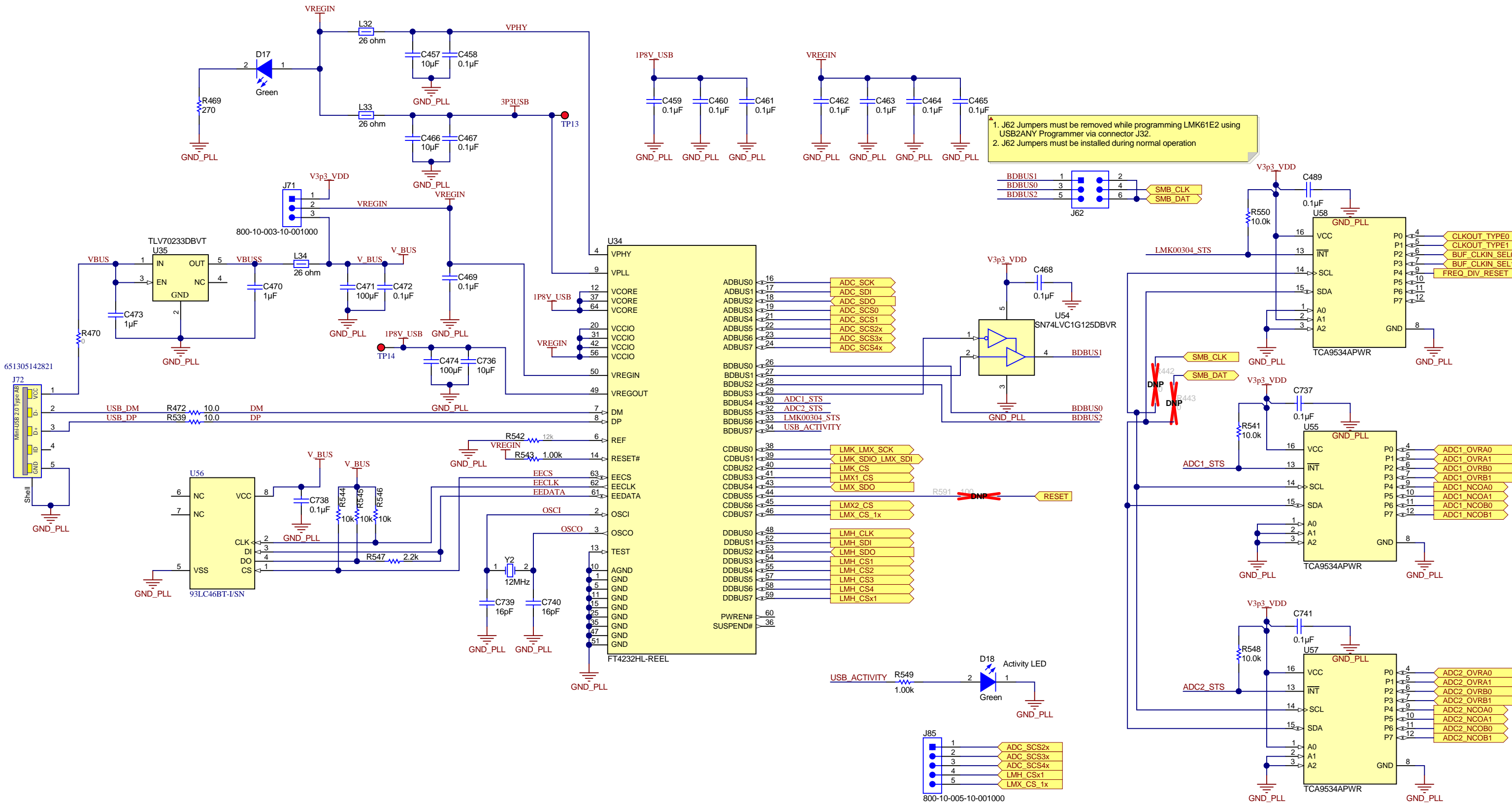
Orderable: NA	Designed for: Public Release	Mod. Date: 3/5/2019
TID #: 010128	Project Title: TIDA-010128	
Number: TIDA-010128	Rev: E3	Sheet Title: Programming for ADC, LMK, LMX
SVN Rev: Version control disabled	Assembly Variant: TIDA-01022-E3 with TIDA-01027	Page 15 of 26
Drawn By: Avinash N	File: TIDA-01022-E3_Programming for ADC, LMK, LMX	
Engineer: Anbu Mani	Contact: <a href="http://www.ti.com/support">http://www.ti.com/support</a>	

TEXAS INSTRUMENTS  
<http://www.ti.com>  
 © Texas Instruments 2017

Texas Instruments and/or its licensors do not warrant the accuracy or completeness of this specification or any information contained therein. Texas Instruments and/or its licensors do not warrant that this design will meet the specifications, will be suitable for your application or fit for any particular purpose, or will operate in an implementation. Texas Instruments and/or its licensors do not warrant that the design is production worthy. You should completely validate and test your design implementation to confirm the system functionality for your application.



# USB to SPI Interface



1. J62 Jumpers must be removed while programming LMK61E2 using USB2ANY Programmer via connector J32.  
2. J62 Jumpers must be installed during normal operation

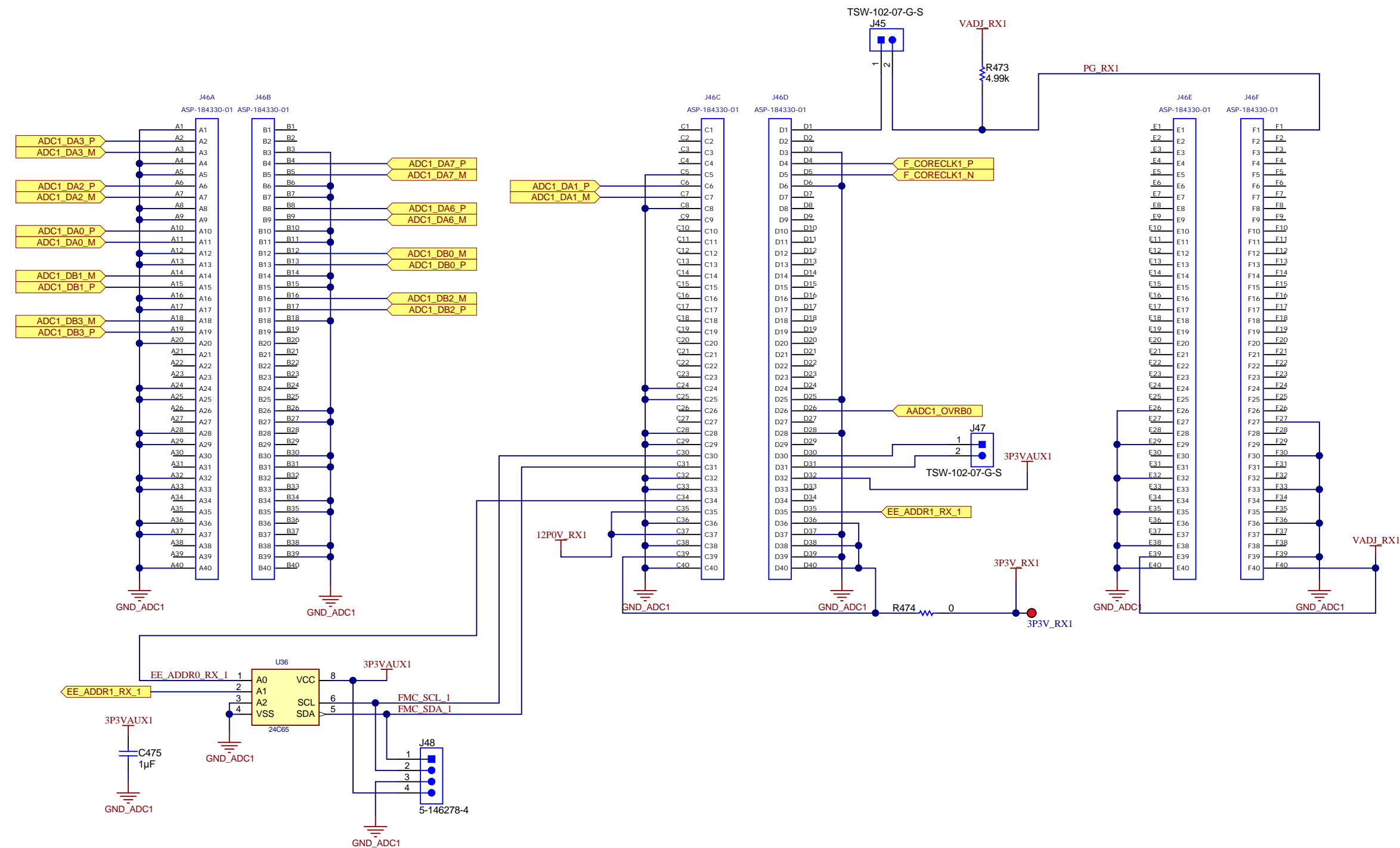
Build on TIDA-01022-E3 PCB and power solution used from TIDA-01027

Orderable: NA	Designed for: Public Release	Mod. Date: 3/5/2019
TID #: 010128	Project Title: TIDA-010128	
Number: TIDA-010128	Rev: E3	Sheet Title: USB
SVN Rev: Version control disabled	Assembly Variant: TIDA-01022-E3 with TIDA-01027	Sheet No: 16 of 26
Drawn By: Avinash N	File: TIDA-01022-E3_USB_SchDoc	Size: B
Engineer: Anbu Mani	Contact: <a href="http://www.ti.com/support">http://www.ti.com/support</a>	

Texas Instruments and/or its licensors do not warrant the accuracy or completeness of this specification or any information contained therein. Texas Instruments and/or its licensors do not warrant that this design will meet the specifications, will be suitable for your application or fit for any particular purpose, or will operate in an implementation. Texas Instruments and/or its licensors do not warrant that the design is production worthy. You should completely validate and test your design implementation to confirm the system functionality for your application.



# ADC1 FMC+\_1 Connector

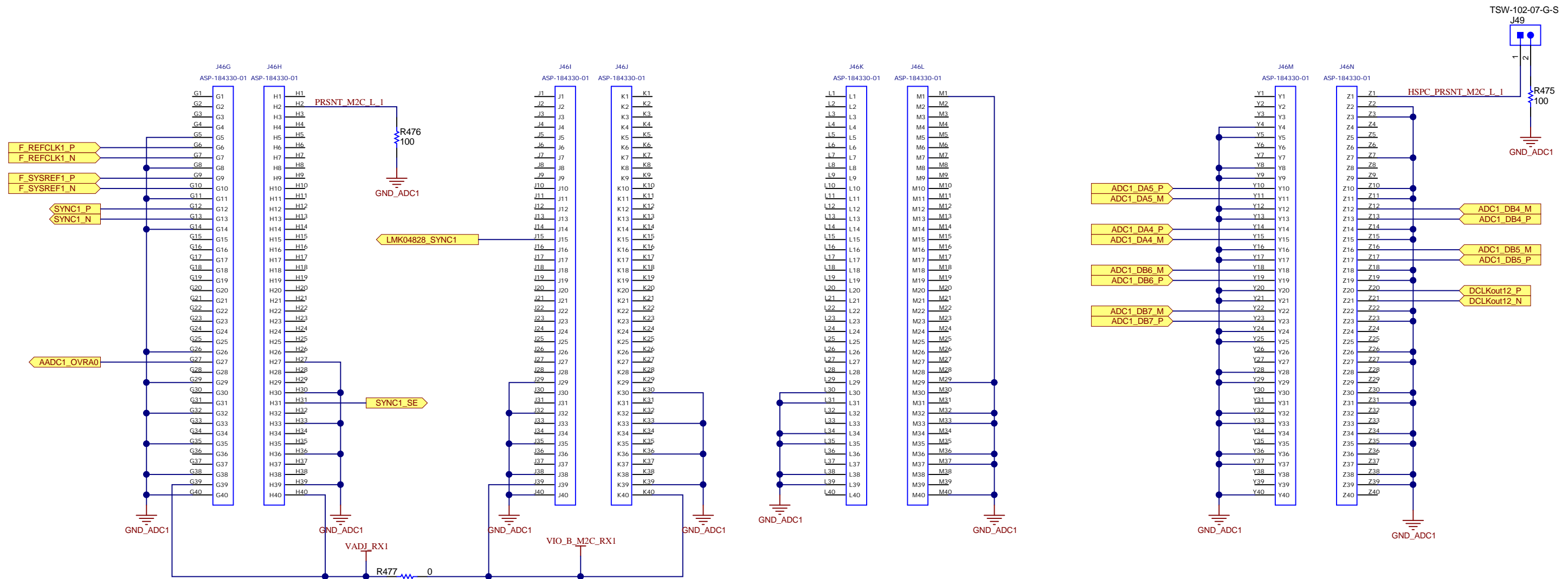


Build on TIDA-01022-E3 PCB and power solution used from TIDA-01027

Orderable: NA	Designed for: Public Release	Mod. Date: 3/5/2019
TID #: 010128	Project Title: TIDA-010128	
Number: TIDA-010128	Rev: E3	Sheet Title: FMC+CONN1
SVN Rev: Version control disabled	Assembly Variant: TIDA-01022-E3_with_TIDA-01027	Sheet 17 of 26
Drawn By: Avinash N	File: TIDA-01022-E3_FMC+CONN1_1.SchDoc	Size: B
Engineer: Anbu Mani	Contact: <a href="http://www.ti.com/support">http://www.ti.com/support</a>	

Texas Instruments and/or its licensors do not warrant the accuracy or completeness of this specification or any information contained therein. Texas Instruments and/or its licensors do not warrant that this design will meet the specifications, will be suitable for your application or fit for any particular purpose, or will operate in an implementation. Texas Instruments and/or its licensors do not warrant that the design is production worthy. You should completely validate and test your design implementation to confirm the system functionality for your application.

# ADC1 FMC+\_1 Connector

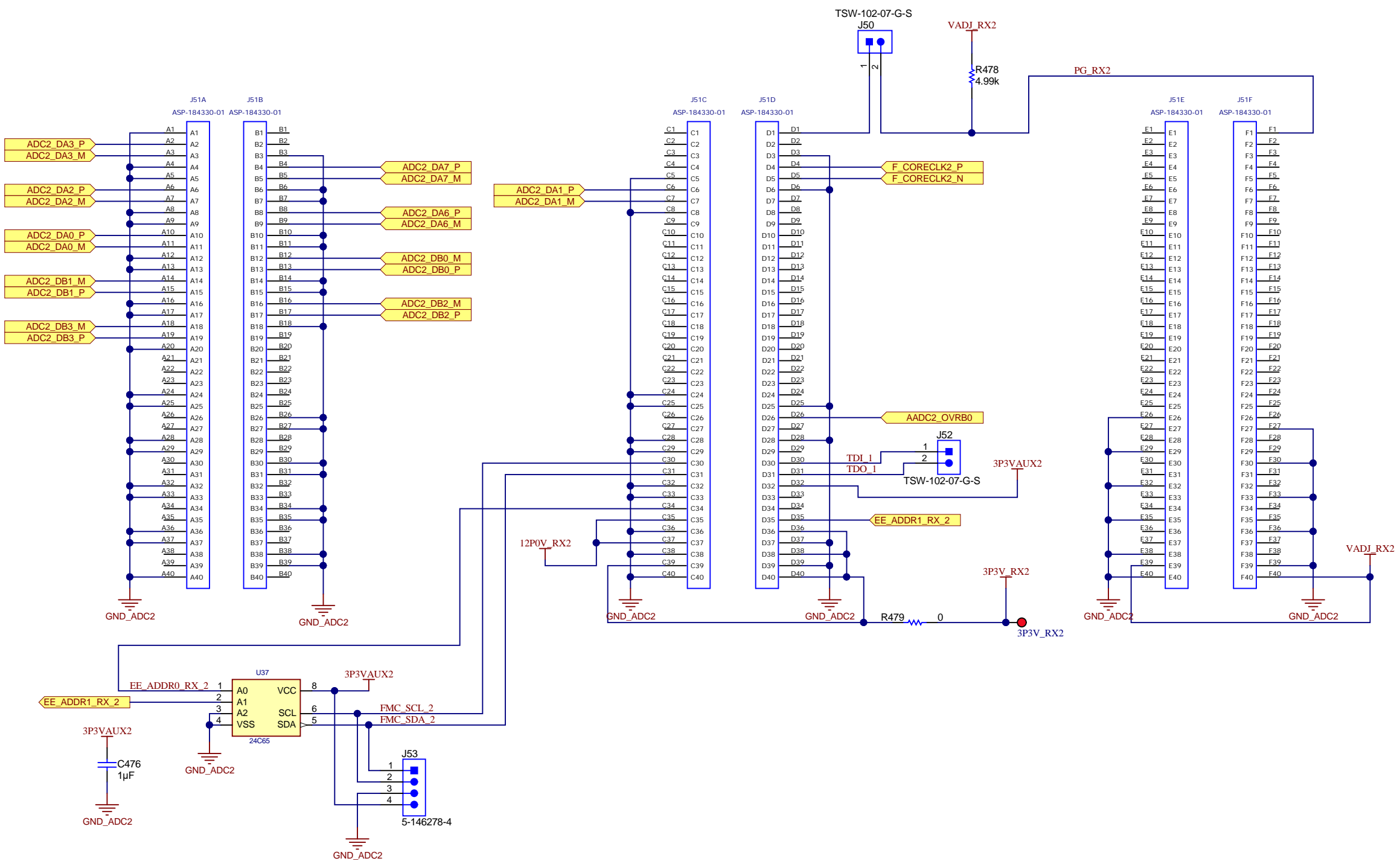


Build on TIDA-01022-E3 PCB and power solution used from TIDA-01027

Orderable: NA	Designed for: Public Release	Mod. Date: 3/5/2019
TID #: 010128	Project Title: TIDA-010128	
Number: TIDA-010128	Rev: E3	Sheet Title: FMC+CONN1
SVN Rev: Version control disabled	Assembly Variant: TIDA-01022-E3 with TIDA-01027	Page 18 of 26
Drawn By: Avinash N	File: TIDA-01022-E3_FMC+CONN1_2.SchDoc	Size: B
Engineer: Anbu Mani	Contact: <a href="http://www.ti.com/support">http://www.ti.com/support</a>	

Texas Instruments and/or its licensors do not warrant the accuracy or completeness of this specification or any information contained therein. Texas Instruments and/or its licensors do not warrant that this design will meet the specifications, will be suitable for your application or fit for any particular purpose, or will operate in an implementation. Texas Instruments and/or its licensors do not warrant that the design is production worthy. You should completely validate and test your design implementation to confirm the system functionality for your application.

# ADC1 FMC+\_2 Connector



Build on TIDA-01022-E3 PCB and power solution used from TIDA-01027

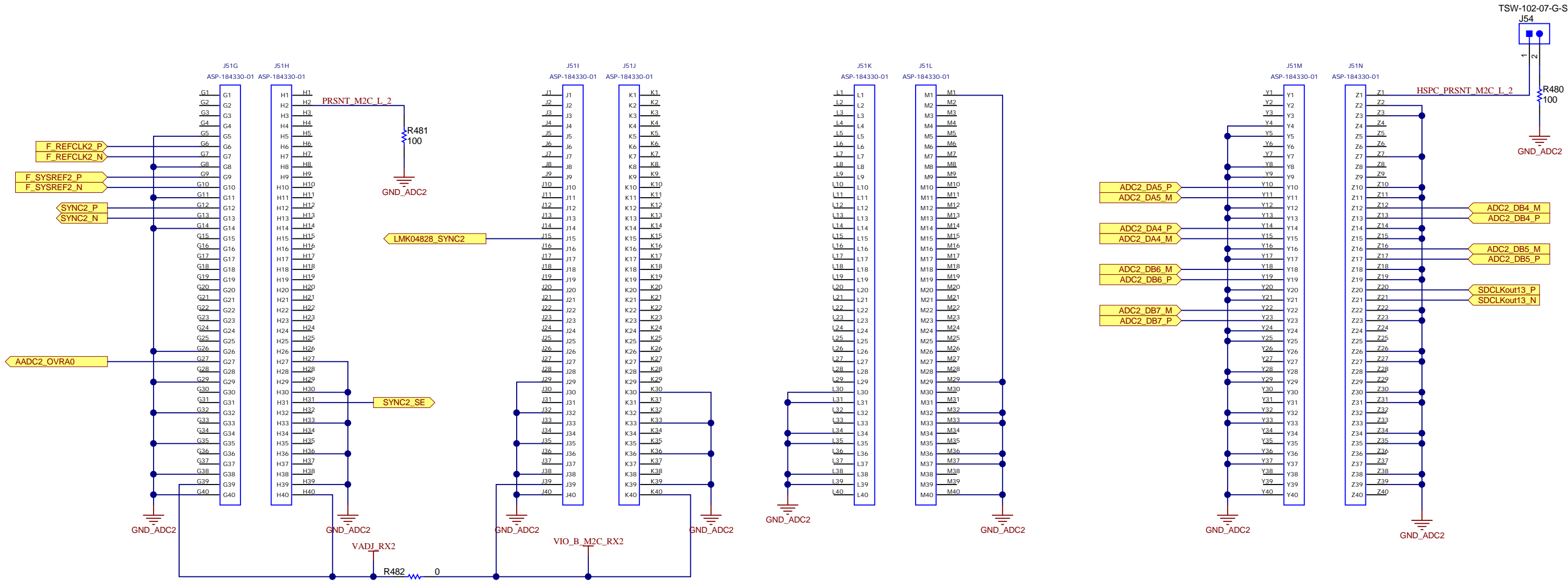
Orderable: NA	Designed for: Public Release	Mod. Date: 3/5/2019
TID #: 010128	Project Title: TIDA-010128	
Number: TIDA-010128	Rev: E3	Sheet Title: FMC+CONN2
SVN Rev: Version control disabled	Assembly Variant: TIDA-01022-E3 with TIDA-01027	Sheet 19 of 26
Drawn By: Avinash N	File: TIDA-01022-E3_FMC+CONN2_1.SchDoc	Size: B
Engineer: Anbu Mani	Contact: <a href="http://www.ti.com/support">http://www.ti.com/support</a>	

Texas Instruments and/or its licensors do not warrant the accuracy or completeness of this specification or any information contained therein. Texas Instruments and/or its licensors do not warrant that this design will meet the specifications, will be suitable for your application or fit for any particular purpose, or will operate in an implementation. Texas Instruments and/or its licensors do not warrant that the design is production worthy. You should completely validate and test your design implementation to confirm the system functionality for your application.



© Texas Instruments 2017

# ADC1 FMC+\_2 Connector



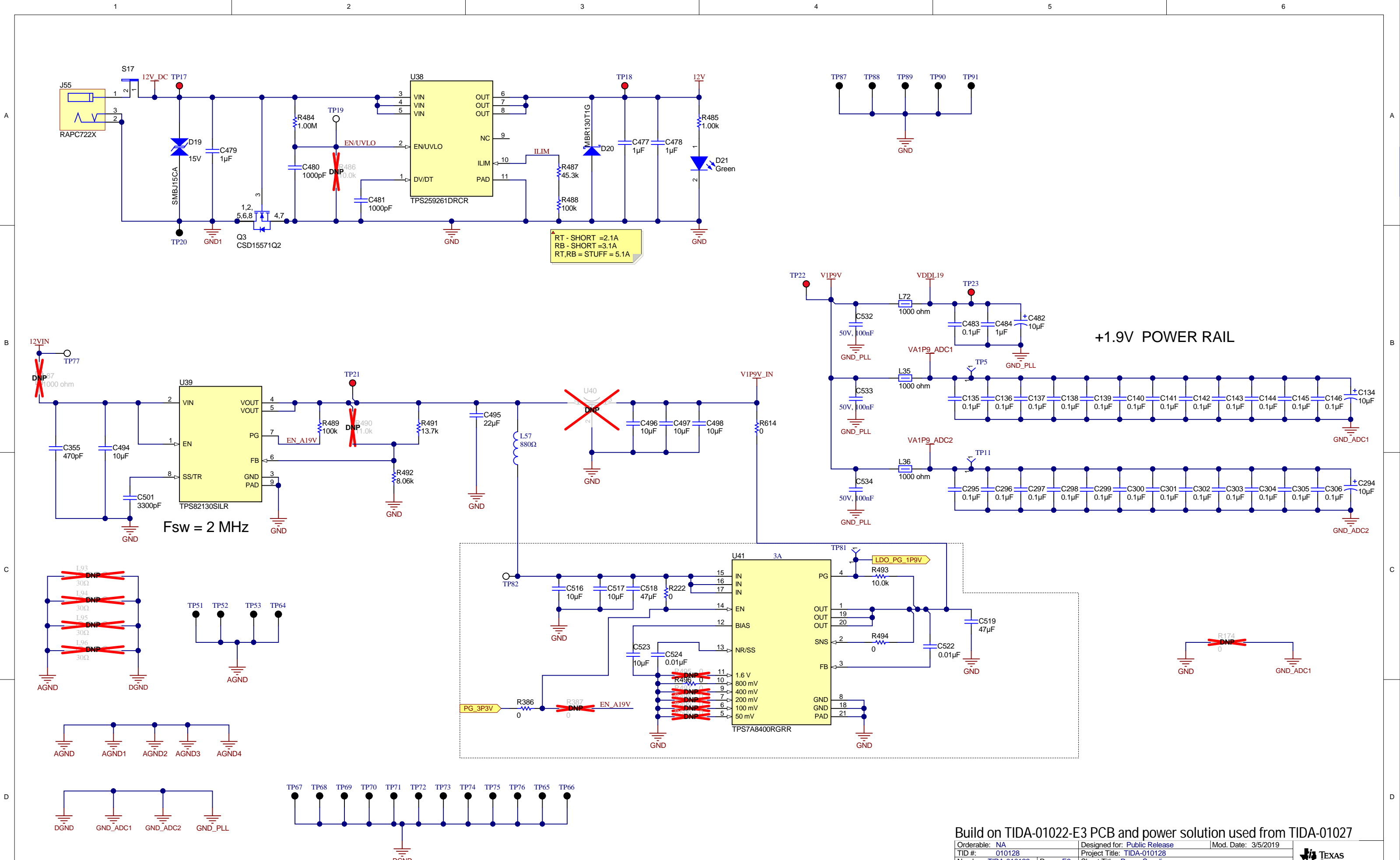
Build on TIDA-01022-E3 PCB and power solution used from TIDA-01027

Orderable: NA	Designed for: Public Release	Mod. Date: 3/5/2019
TID #: 010128	Project Title: TIDA-010128	
Number: TIDA-010128	Rev: E3	Sheet Title: FMC+CONN2
SVN Rev: Version control disabled	Assembly Variant: TIDA-01022-E3 with TIDA-01027	Page 20 of 26
Drawn By: Avinash N	File: TIDA-01022-E3_FMC+CONN2_2.SchDoc	Size: B
Engineer: Anbu Mani	Contact: <a href="http://www.ti.com/support">http://www.ti.com/support</a>	

Texas Instruments and/or its licensors do not warrant the accuracy or completeness of this specification or any information contained therein. Texas Instruments and/or its licensors do not warrant that this design will meet the specifications, will be suitable for your application or fit for any particular purpose, or will operate in an implementation. Texas Instruments and/or its licensors do not warrant that the design is production worthy. You should completely validate and test your design implementation to confirm the system functionality for your application.



© Texas Instruments 2017



Texas Instruments and/or its licensors do not warrant the accuracy or completeness of this specification or any information contained therein. Texas Instruments and/or its licensors do not warrant that this design will meet the specifications, will be suitable for your application or fit for any particular purpose, or will operate in an implementation. Texas Instruments and/or its licensors do not warrant that the design is production worthy. You should completely validate and test your design implementation to confirm the system functionality for your application.

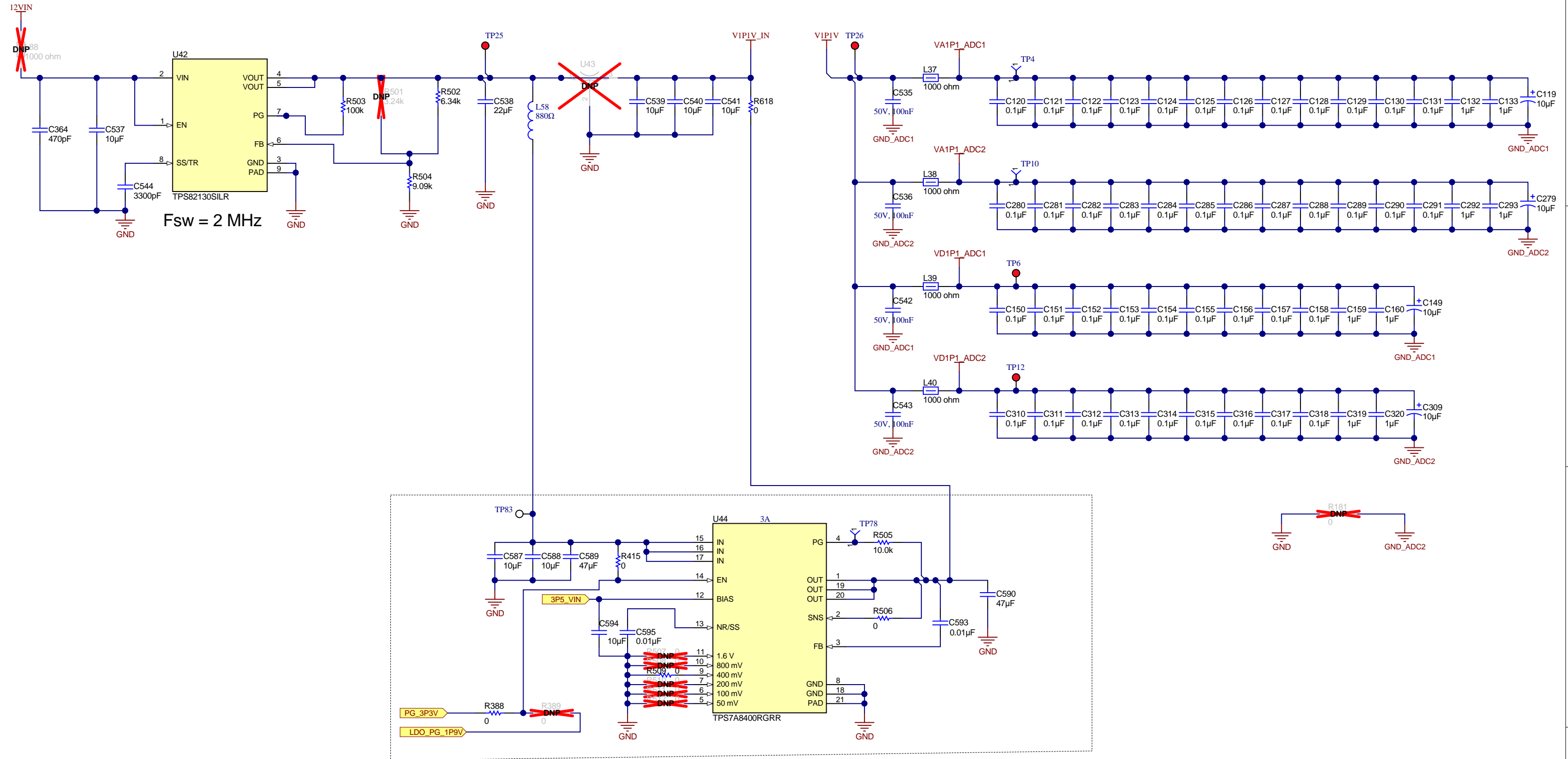
Build on TIDA-01022-E3 PCB and power solution used from TIDA-01027

Orderable: NA	Designed for: Public Release	Mod. Date: 3/5/2019
TID #: 010128	Project Title: TIDA-010128	
Number: TIDA-010128	Rev: E3	Sheet Title: Power Supplies
SVN Rev: Version control disabled	Assembly Variant: TIDA-01022-E3 with TIDA-01027	Page 21 of 26
Drawn By: Avinash N	File: TIDA-01022-E3_Power1.SchDoc	Size: B
Engineer: Anbu Mani	Contact: <a href="http://www.ti.com/support">http://www.ti.com/support</a>	



© Texas Instruments 2017

# +1.1V POWER RAIL



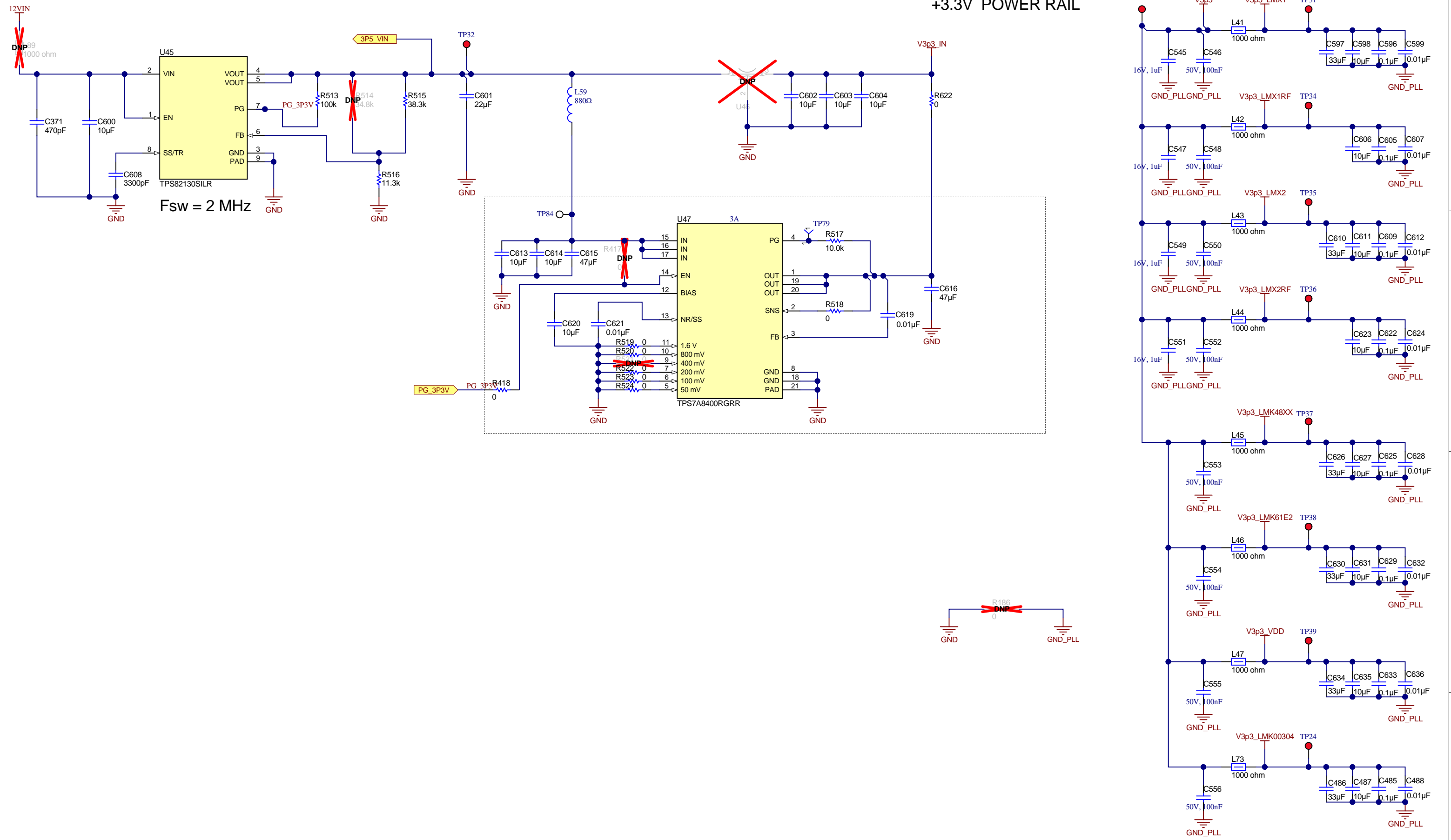
Build on TIDA-01022-E3 PCB and power solution used from TIDA-01027

Orderable: NA	Designed for: Public Release	Mod. Date: 3/5/2019
TID #: 010128	Project Title: TIDA-010128	
Number: TIDA-010128	Rev: E3	Sheet Title: Power Supplies
SVN Rev: Version control disabled	Assembly Variant: TIDA-01022-E3 with TIDA-01027	Size: 26
Drawn By: Avinash N	File: TIDA-01022-E3_Power2.SchDoc	Size: B
Engineer: Anbu Mani	Contact: <a href="http://www.ti.com/support">http://www.ti.com/support</a>	



Texas Instruments and/or its licensors do not warrant the accuracy or completeness of this specification or any information contained therein. Texas Instruments and/or its licensors do not warrant that this design will meet the specifications, will be suitable for your application or fit for any particular purpose, or will operate in an implementation. Texas Instruments and/or its licensors do not warrant that the design is production worthy. You should completely validate and test your design implementation to confirm the system functionality for your application.

# +3.3V POWER RAIL



Build on TIDA-01022-E3 PCB and power solution used from TIDA-01027

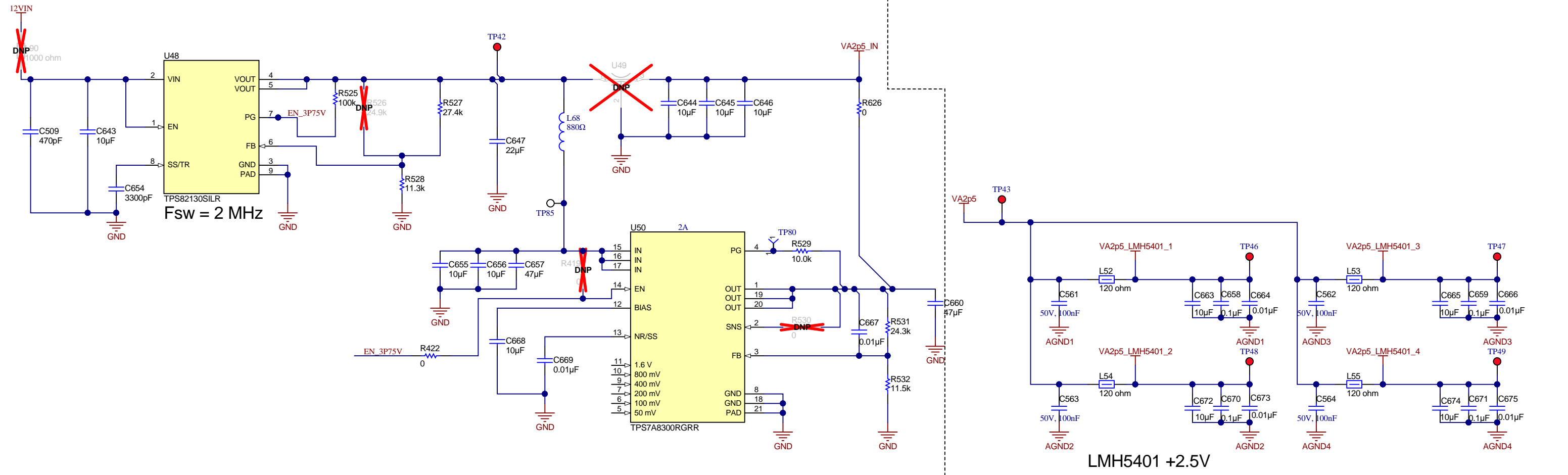
Orderable: NA	Designed for: Public Release	Mod. Date: 3/5/2019
TID #: 010128	Project Title: TIDA-010128	
Number: TIDA-010128	Rev: E3	Sheet Title: Power Supplies
SVN Rev: Version control disabled	Assembly Variant: TIDA-01022-E3 with TIDA-01027-E3	Size: B
Drawn By: Avinash N	File: TIDA-01022-E3_Power3.SchDoc	
Engineer: Anbu Mani	Contact: <a href="http://www.ti.com/support">http://www.ti.com/support</a>	

Texas Instruments and/or its licensors do not warrant the accuracy or completeness of this specification or any information contained therein. Texas Instruments and/or its licensors do not warrant that this design will meet the specifications, will be suitable for your application or fit for any particular purpose, or will operate in an implementation. Texas Instruments and/or its licensors do not warrant that the design is production worthy. You should completely validate and test your design implementation to confirm the system functionality for your application.



© Texas Instruments 2017





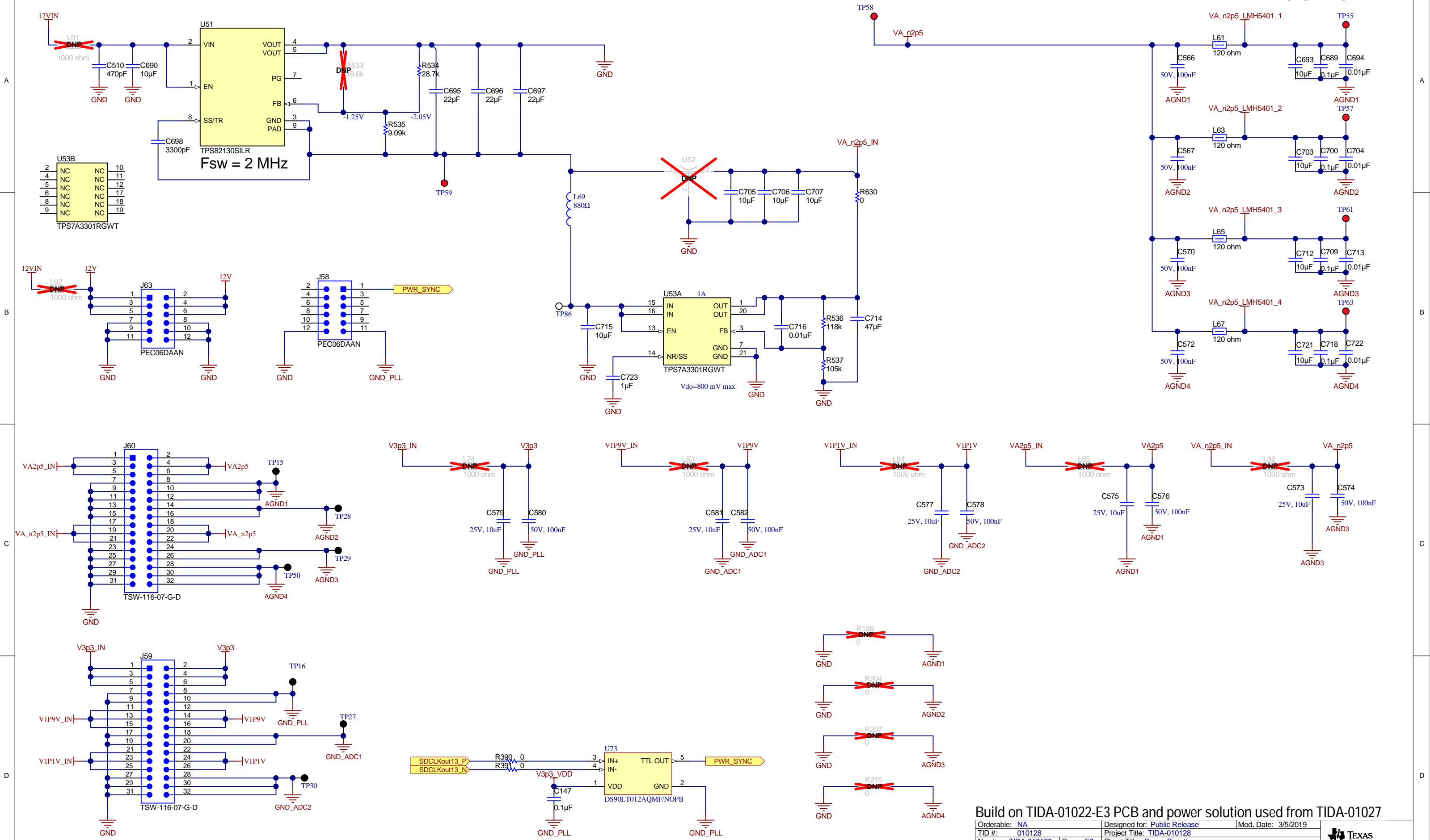
Build on TIDA-01022-E3 PCB and power solution used from TIDA-01027

Orderable: NA	Designed for: Public Release	Mod. Date: 3/5/2019
TID #: 010128	Project Title: TIDA-010128	
Number: TIDA-010128	Rev: E3	Sheet Title: Power Supplies
SVN Rev: Version control disabled	Assembly Variant: TIDA-01022-E3 with TIDA-01027	Size: B
Drawn By: Avinash N	File: TIDA-01022-E3_Power4.SchDoc	Contact: <a href="http://www.ti.com/support">http://www.ti.com/support</a>
Engineer: Anbu Mani		



Texas Instruments and/or its licensors do not warrant the accuracy or completeness of this specification or any information contained therein. Texas Instruments and/or its licensors do not warrant that this design will meet the specifications, will be suitable for your application or fit for any particular purpose, or will operate in an implementation. Texas Instruments and/or its licensors do not warrant that the design is production worthy. You should completely validate and test your design implementation to confirm the system functionality for your application.

# LMH5401 -2.5V

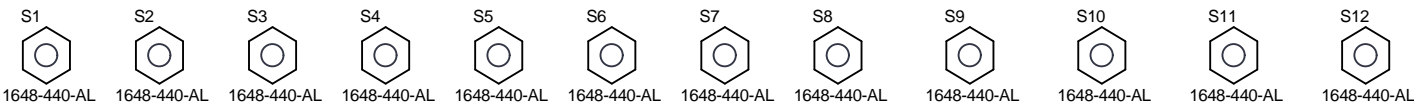


Texas Instruments and/or its licensors do not warrant the accuracy or completeness of this specification or any information contained therein. Texas Instruments and/or its licensors do not warrant that this design will meet the specifications, will be suitable for your application or fit for any particular purpose, or will operate in an implementation. Texas Instruments and/or its licensors do not warrant that the design is production worthy. You should completely validate and test your design implementation to confirm the system functionality for your application.

**Build on TIDA-01022-E3 PCB and power solution used from TIDA-01027**

Orderable: NA	Designed for: Public Release	Mod. Date: 3/5/2019
TID #: 010128	Project Title: TIDA-010128	
Number: TIDA-010128	Rev: E3	Sheet Title: Power Supplies
SVN Rev: Version control disabled	Assembly Variant: TIDA-01022-E3 with TIDA-01027	Page 25 of 26
Drawn By: Avinash N	File: TIDA-01022-E3_Power5.SchDoc	Size: B
Engineer: Anbu Mani	Contact: <a href="http://www.ti.com/support">http://www.ti.com/support</a>	

**TEXAS INSTRUMENTS**  
<http://www.ti.com>  
 © Texas Instruments 2017



PCB Number: TIDA-010128  
PCB Rev: E3

PCB LOGO  
Logo1  
Pb-Free Symbol  
FCC disclaimer



Variant/Label Table	
Variant	Label Text
001	ChangeMe!
002	ChangeMe!

LBL1  
PCB Label  
Size: 0.65" x 0.20"

ZZ1  
Label Assembly Note  
This Assembly Note is for PCB labels only

ZZ2  
Assembly Note  
These assemblies are ESD sensitive, ESD precautions shall be observed.

ZZ3  
Assembly Note  
These assemblies must be clean and free from flux and all contaminants. Use of no clean flux is not acceptable.

ZZ4  
Assembly Note  
These assemblies must comply with workmanship standards IPC-A-610 Class 2, unless otherwise specified.

You should delete the nylon screws/standoffs and/or the bumpsons as needed for your design (or substitute other parts from Hardware.IntLib). Bumpsons are cheaper, but provide less clearance.

Deleting anything else from this page may result in your EVM submission being rejected (until you add them back).

Update the Label Text in the Label Table as needed for each Assembly Variant.

You should delete this note too.

Build on TIDA-01022-E3 PCB and power solution used from TIDA-01027

Orderable: NA	Designed for: Public Release	Mod. Date: 3/5/2019
TID #: 010128	Project Title: TIDA-010128	
Number: TIDA-010128	Rev: E3	Sheet Title: Hardware
SVN Rev: Version control disabled	Assembly Variant: TIDA-01022-E3_with_TIDA-01027	Page 26 of 26
Drawn By: Avinash N	File: TIDA-01022-E3_Hardware.SchDoc	Size: B
Engineer: Anbu Mani	Contact: <a href="http://www.ti.com/support">http://www.ti.com/support</a>	



Texas Instruments and/or its licensors do not warrant the accuracy or completeness of this specification or any information contained therein. Texas Instruments and/or its licensors do not warrant that this design will meet the specifications, will be suitable for your application or fit for any particular purpose, or will operate in an implementation. Texas Instruments and/or its licensors do not warrant that the design is production worthy. You should completely validate and test your design implementation to confirm the system functionality for your application.

## IMPORTANT NOTICE AND DISCLAIMER

TI PROVIDES TECHNICAL AND RELIABILITY DATA (INCLUDING DATASHEETS), DESIGN RESOURCES (INCLUDING REFERENCE DESIGNS), APPLICATION OR OTHER DESIGN ADVICE, WEB TOOLS, SAFETY INFORMATION, AND OTHER RESOURCES "AS IS" AND WITH ALL FAULTS, AND DISCLAIMS ALL WARRANTIES, EXPRESS AND IMPLIED, INCLUDING WITHOUT LIMITATION ANY IMPLIED WARRANTIES OF MERCHANTABILITY, FITNESS FOR A PARTICULAR PURPOSE OR NON-INFRINGEMENT OF THIRD PARTY INTELLECTUAL PROPERTY RIGHTS.

These resources are intended for skilled developers designing with TI products. You are solely responsible for (1) selecting the appropriate TI products for your application, (2) designing, validating and testing your application, and (3) ensuring your application meets applicable standards, and any other safety, security, or other requirements. These resources are subject to change without notice. TI grants you permission to use these resources only for development of an application that uses the TI products described in the resource. Other reproduction and display of these resources is prohibited. No license is granted to any other TI intellectual property right or to any third party intellectual property right. TI disclaims responsibility for, and you will fully indemnify TI and its representatives against, any claims, damages, costs, losses, and liabilities arising out of your use of these resources.

TI's products are provided subject to TI's Terms of Sale ([www.ti.com/legal/termsofsale.html](http://www.ti.com/legal/termsofsale.html)) or other applicable terms available either on [ti.com](http://ti.com) or provided in conjunction with such TI products. TI's provision of these resources does not expand or otherwise alter TI's applicable warranties or warranty disclaimers for TI products.

Mailing Address: Texas Instruments, Post Office Box 655303, Dallas, Texas 75265  
Copyright © 2019, Texas Instruments Incorporated