

UCD31xx Digital Power Supply Controller

Technical Reference Manual



Literature Number: SNIU028E
FEBRUARY 2016 – REVISED FEBRUARY 2025

Table of Contents



1 Introduction	25
1.1 Scope of This Document	25
1.2 A Guide to Other Documentation for all Members of UCD3138 Family of Products	25
2 Digital Pulse Width Modulator (DPWM)	27
2.1 DPWM Block Diagram	28
2.2 Introduction to DPWM (DPWM Multi-Mode, Open Loop)	30
2.3 DPWM Normal Mode	32
2.4 DPWM Phase Shift Mode	34
2.5 DPWM Multiple Output Mode (Multi Mode)	35
2.6 DPWM Resonant Mode	37
2.7 Triangular Mode	39
2.8 DPWM Leading Edge Mode	40
2.9 Sync FET Ramp and IDE Calculation	41
2.10 Automatic Mode Switching	42
2.10.1 Resonant LLC Example	42
2.10.2 Mechanism for Automatic Mode Switching	42
2.11 DPWMC, Edge Generation, IntraMax	44
2.12 Time Resolution of Various DPWM Registers	45
2.13 PWM Counter and Clocks	47
2.14 DPWM Registers - Overview	47
2.15 DPWM Control Register 0 (DPWMCTRL0)	47
2.15.1 DPWM Auto Config Mid and Max Registers	47
2.15.2 Intra Mux	47
2.15.3 Cycle by Cycle Current Limit Enable	48
2.15.4 Multi Mode On/Off	50
2.15.5 Minimum Duty Mode	50
2.15.6 Master Sync Control Select	52
2.15.7 Master Sync Slave Enable	52
2.15.8 D Enable	52
2.15.9 Resonant Mode Fixed Duty Enable	52
2.15.10 DPWM A and B Fault Priority	52
2.15.11 Blank Enable	53
2.15.12 DPWM Mode	53
2.15.13 DPWM Invert	53
2.15.14 1.15.14 Filter Enable (CLA_EN)	53
2.15.15 DPWM Enable	53
2.16 DPWM Control Register 1	53
2.16.1 Period Counter Preset Enable	53
2.16.2 Sync FET Ramp Enable	54
2.16.3 Burst Mode Enable	54
2.16.4 Current/Flux Balancing Duty Adjust	54
2.16.5 1.16.5 Sync Out Divisor Selection	54
2.16.6 Filter Scale	54
2.16.7 External Sync Enable	54
2.16.8 Cycle By Cycle B Side Active Enable	54
2.16.9 Auto Mode Switching Enable	54
2.16.10 Event Update Select	55
2.16.11 Check Override	55
2.16.12 Global Period Enable	55

2.16.13 Using DPWM Pins as General Purpose I/O.....	55
2.16.14 High Resolution enable/disable.....	55
2.16.15 Asynchronous Protection Disable.....	56
2.16.16 Single Frame Enable.....	56
2.17 DPWM Control Register 2.....	56
2.17.1 External Synchronization Input Divide Ratio.....	56
2.17.2 Resonant Deadtime Compensation Enable.....	56
2.17.3 Filter Duty Select.....	57
2.17.4 iDeal Diode Emulation (IDE) Enable for PWMB.....	57
2.17.5 Sample Trigger 1 Oversampling.....	57
2.17.6 Sample Trigger 1 Mode.....	57
2.17.7 Sample Trigger Enable Bits.....	58
2.18 Period and Event Registers.....	58
2.19 Phase Trigger Registers.....	58
2.20 Cycle Adjust Registers.....	58
2.21 Resonant Duty Register.....	58
2.22 DPWM Fault Control Register.....	58
2.23 DPWM Overflow Register.....	58
2.24 DPWM Interrupt Register.....	59
2.24.1 DPWM Period Interrupt Bits.....	59
2.24.2 Mode Switching Interrupt Bits.....	59
2.24.3 INT Bit.....	59
2.25 DPWM Counter Preset Register.....	59
2.26 Blanking Registers.....	59
2.27 DPWM Adaptive Sample Register.....	60
2.28 DPWM Fault Status Register.....	60
2.29 DPWM Auto Switch Registers.....	60
2.30 DPWM Edge PWM Generation Register.....	60
2.31 DPWM 0-3 Registers Reference.....	61
2.31.1 DPWM Control Register 0 (DPWMCTRL0).....	61
2.31.2 DPWM Control Register 1 (DPWMCTRL1).....	64
2.31.3 DPWM Control Register 2 (DPWMCTRL2).....	67
2.31.4 DPWM Period Register (DPWMPRD).....	69
2.31.5 DPWM Event 1 Register (DPWMEV1).....	70
2.31.6 DPWM Event 2 Register (DPWMEV2).....	71
2.31.7 DPWM Event 3 Register (DPWMEV3).....	72
2.31.8 DPWM Event 4 Register (DPWMEV4).....	73
2.31.9 DPWM Sample Trigger 1 Register (DPWMSAMPTRIG1).....	74
2.31.10 DPWM Sample Trigger 2 Register (DPWMSAMPTRIG2).....	75
2.31.11 DPWM Phase Trigger Register (DPWMPHASETRIG).....	76
2.31.12 DPWM Cycle Adjust A Register (DPWMCYCADJA).....	77
2.31.13 DPWM Cycle Adjust B Register (DPWMCYCADJB).....	78
2.31.14 DPWM Resonant Duty Register (DPWMRESDDUTY).....	79
2.31.15 DPWM Fault Control Register (DPWMFLTCTRL).....	80
2.31.16 DPWM Overflow Register (DPWMOVERFLOW).....	81
2.31.17 DPWM Interrupt Register (DPWMINT).....	82
2.31.18 DPWM Counter Preset Register (DPWMCNTPRE).....	85
2.31.19 DPWM Blanking A Begin Register (DPWMBLKABEG).....	86
2.31.20 DPWM Blanking A End Register (DPWMBLKAEND).....	87
2.31.21 DPWM Blanking B Begin Register (DPWMBLKBEG).....	88
2.31.22 DPWM Blanking B End Register (DPWMBLKBEND).....	89
2.31.23 DPWM Minimum Duty Cycle High Register (DPWMMINDUTYHI).....	90
2.31.24 DPWM Minimum Duty Cycle Low Register (DPWMMINDUTYLO).....	91
2.31.25 DPWM Adaptive Sample Register (DPWMADAPTIVE).....	92
2.31.26 DPWM Fault Status (DPWMFLTSTAT).....	93
2.31.27 DPWM Auto Switch High Upper Thresh Register (DPWMAUTOSWHIUPHRESH).....	94
2.31.28 DPWM Auto Switch High Lower Thresh Register (DPWMAUTOSWHILOWTHRESH).....	95
2.31.29 DPWM Auto Switch Low Upper Thresh Register (DPWMAUTOSWLOUPHRESH).....	96
2.31.30 DPWM Auto Switch Low Lower Thresh Register (DPWMAUTOSWLOWLTHRESH).....	97
2.31.31 DPWM Auto Config Max Register (DPWMAUTOMAX).....	98
2.31.32 DPWM Auto Config Mid Register (DPWMAUTOMID).....	101

2.31.33 DPWM Edge PWM Generation Control Register (DPWMEDGEGEN).....	104
2.31.34 DPWM Filter Duty Read Register (DPWMFILTERDUTYREAD).....	106
2.31.35 DPWM BIST Status Register (DPWMBISTSTAT).....	107
3 Front End	108
3.1 Error ADC and Front End Gain.....	110
3.1.1 Front End Gain.....	110
3.1.2 EADC Error Output.....	110
3.1.3 EADC Triggering, EADC Output to Filter.....	112
3.1.4 EADC Timing.....	112
3.1.5 EADC Averaging.....	114
3.1.6 Enabling EADC and Front End.....	115
3.2 Front End DAC.....	116
3.3 Ramp Module.....	118
3.3.1 DAC Ramp Overview.....	118
3.3.2 DAC Ramp Start and End Points.....	118
3.3.3 DAC Ramp Steps.....	119
3.3.4 DAC Ramp Start, Interrupts, Start Delay.....	120
3.3.5 RAMPSTAT Register.....	120
3.3.6 DAC RAMP when EADC is Saturated.....	120
3.3.7 Using Ramp Module for Peak Current Mode.....	120
3.3.8 Sync FET Soft On/Off using Ramp Module.....	120
3.4 Successive Approximation Mode.....	122
3.4.1 SAR Control Parameters.....	122
3.4.2 SAR Algorithm Overview.....	122
3.4.3 Non-Continuous SAR Mode.....	122
3.4.4 Continuous SAR Mode.....	122
3.5 Absolute Value Without SAR.....	122
3.6 EADC Modes.....	123
3.7 Front End Control Registers.....	124
3.7.1 Ramp Control Register (RAMPCTRL).....	124
3.7.2 Ramp Status Register (RAMPSTAT).....	126
3.7.3 Ramp Cycle Register (RAMPCYCLE).....	128
3.7.4 EADC DAC Value Register (EADC DAC).....	129
3.7.5 Ramp DAC Ending Value Register (RAMPDACEND).....	130
3.7.6 DAC Step Register (DACSTEP).....	131
3.7.7 DAC Saturation Step Register (DACSATSTEP).....	132
3.7.8 EADC Trim Register (EADCTRIM) – (For Factory Test Use Only).....	133
3.7.9 EADC Control Register (EADCCTRL).....	134
3.7.10 Analog Control Register (ACTRL) (For Test Use Only).....	137
3.7.11 Pre-Bias Control Register 0 (PREBIASCTRL0).....	138
3.7.12 Pre-Bias Control Register 1 (PREBIASCTRL1).....	139
3.7.13 SAR Control Register (SARCTRL).....	140
3.7.14 SAR Timing Register (SARTIMING).....	141
3.7.15 EADC Value Register (EADCVALUE).....	142
3.7.16 EADC Raw Value Register (EADCRAWVALUE).....	143
3.7.17 DAC Status Register (DACSTAT).....	144
4 Filter	145
4.1 Filter Math Details.....	146
4.1.1 Filter Input and Branch Calculations.....	146
4.1.2 Proportional Branch.....	147
4.1.3 Integral Branch.....	147
4.1.4 Differential Branch.....	147
4.1.5 Add, Saturate, Scale and Clamp.....	148
4.1.6 Filter Output Stage.....	149
4.2 Filter Status Register.....	150
4.3 Filter Control Register.....	150
4.3.1 Filter Enable.....	151
4.3.2 Use CPU Sample.....	151
4.3.3 Force Start.....	151
4.3.4 Kp Off, Kd Off, Ki Off.....	151
4.3.5 Kd Stall, Ki Stall.....	151

4.3.6 Nonlinear Mode.....	151
4.3.7 Output Scaling.....	151
4.3.8 Output Multiplier Select.....	152
4.3.9 Switching Period as Output Multiplier.....	152
4.3.10 KComp as Output Multiplier.....	153
4.3.11 Feed Forward as Output Multiplier.....	153
4.3.12 Period Multiplier Select.....	153
4.3.13 Ki Adder Mode.....	153
4.4 XN, YN Read and Write Registers.....	154
4.4.1 CPU Xn Register.....	154
4.4.2 Filter XN Read Register.....	154
4.4.3 Filter YN Read Registers.....	154
4.5 Coefficient Configuration Register.....	155
4.6 Kp, Ki, and Kd Registers.....	156
4.7 Alpha Registers.....	157
4.8 Filter Nonlinear Limit Registers.....	157
4.9 Clamp Registers.....	158
4.10 Filter Preset Register.....	158
4.11 Filter Registers Reference.....	159
4.11.1 Filter Status Register (FILTERSTATUS).....	159
4.11.2 Filter Control Register (FILTERCTRL).....	160
4.11.3 CPU XN Register (CPUXN).....	162
4.11.4 Filter XN Read Register (FILTERXNREAD).....	163
4.11.5 Filter KI_YN Read Register (FILTERKIYNREAD).....	164
4.11.6 Filter KD_YN Read Register (FILTERKDYNREAD).....	165
4.11.7 Filter YN Read Register (FILTERYNREAD).....	166
4.11.8 Coefficient Configuration Register (COEFCONFIG).....	167
4.11.9 Filter KP Coefficient 0 Register (FILTERKPCOEFO).....	170
4.11.10 Filter KP Coefficient 1 Register (FILTERKPCOEFI).....	171
4.11.11 Filter KI Coefficient 0 Register (FILTERKICOEFO).....	172
4.11.12 Filter KI Coefficient 1 Register (FILTERKICOEFI).....	173
4.11.13 Filter KD Coefficient 0 Register (FILTERKDCOEFO).....	174
4.11.14 Filter KD Coefficient 1 Register (FILTERKDCOEFI).....	175
4.11.15 Filter KD Alpha Register (FILTERKDALPHA).....	176
4.11.16 Filter Nonlinear Limit Register 0 (FILTERNL0).....	177
4.11.17 Filter Nonlinear Limit Register 1 (FILTERNL1).....	178
4.11.18 Filter Nonlinear Limit Register 2 (FILTERNL2).....	179
4.11.19 Filter KI Feedback Clamp High Register (FILTERKICLPHI).....	180
4.11.20 Filter KI Feedback Clamp Low Register (FILTERKICLPLO).....	181
4.11.21 Filter YN Clamp High Register (FILTERYNCLPHI).....	182
4.11.22 Filter YN Clamp Low Register (FILTERYNCLPLO).....	183
4.11.23 Filter Output Clamp High Register (FILTEROCLPHI).....	184
4.11.24 Filter Output Clamp Low Register (FILTEROCLPLO).....	185
4.11.25 Filter Preset Register (FILTERPRESET).....	186
5 Loop Mux.....	187
5.1 Front End Control Muxes (FECTRL0MUX, FECTRL1MUX, FECTRL2MUX).....	189
5.2 Sample Trigger Control (SAMPTRIGCTRL).....	189
5.3 External DAC Control (EXTDACCTRL).....	189
5.4 Filter Mux Register (FILTERMUX).....	190
5.5 Filter KComp Registers (FILTERKCOMPx).....	190
5.6 DPWM Mux Register (DPWMMUX).....	190
5.7 Global Enable Register (GLBEN).....	190
5.8 PWM Global Period Register (PWMGLBPRD).....	191
5.9 Sync Control (SYNCCTRL).....	191
5.10 Light Load (Burst) Mode.....	191
5.11 Constant Current / Constant Power.....	191
5.12 Analog Peak Current Mode.....	192
5.13 Automatic Cycle Adjustment.....	192
5.13.1 Calculation.....	192
5.13.2 Configuration.....	193
5.13.3 Scaling.....	193

5.14 Loop Mux Registers Reference.....	193
5.14.1 Front End Control 0 Mux Register (FECTRL0MUX).....	193
5.14.2 Front End Control 1 Mux Register (FECTRL1MUX).....	195
5.14.3 Front End Control 2 Mux Register (FECTRL2MUX).....	197
5.14.4 Sample Trigger Control Register (SAMPTRIGCTRL).....	199
5.14.5 External DAC Control Register (EXTDACCTRL).....	201
5.14.6 Filter Mux Register (FILTERMUX).....	203
5.14.7 Filter KComp A Register (FILTERKCOMPA).....	205
5.14.8 Filter KComp B Register (FILTERKCOMPB).....	206
5.14.9 DPWM Mux Register (DPWMMUX).....	207
5.14.10 Constant Power Control Register (CPCTRL).....	209
5.14.11 Constant Power Nominal Threshold Register (CPNOM).....	211
5.14.12 Constant Power Max Threshold Register (CPMAX).....	212
5.14.13 Constant Power Configuration Register (CPCONFIG).....	213
5.14.14 Constant Power Max Power Register (CPMAXPWR).....	214
5.14.15 Constant Power Integrator Threshold Register (CPINTTHRESH).....	215
5.14.16 Constant Power Firmware Divisor Register (CPFWDIVISOR).....	216
5.14.17 Constant Power Status Register (CPSTAT).....	217
5.14.18 Cycle Adjustment Control Register (CYCADJCTRL).....	218
5.14.19 Cycle Adjustment Limit Register (CYCADJLIM).....	219
5.14.20 Cycle Adjustment Status Register (CYCADJSTAT).....	220
5.14.21 Global Enable Register (GLBEN).....	221
5.14.22 PWM Global Period Register (PWMGLBPRD).....	222
5.14.23 Sync Control Register (SYNCCTRL).....	223
5.14.24 Light Load Control Register (LLCTRL).....	224
5.14.25 Light Load Enable Threshold Register (LLENTHRESH).....	225
5.14.26 Light Load Disable Threshold Register (LLDISTHRESH).....	226
5.14.27 Peak Current Mode Control Register (PCMCTRL).....	227
5.14.28 Analog Peak Current Mode Control Register (APCMCTRL).....	228
5.14.29 Loop Mux Test Register (LOOPMUXTEST) (Test Use Only).....	229
6 Fault Mux.....	230
6.1 Analog Comparator Configuration.....	233
6.1.1 ACOMP_EN.....	233
6.1.2 ACOMP_x_THRESH.....	233
6.1.3 ACOMP_x_POL.....	233
6.1.4 ACOMP_x_INT_EN.....	233
6.1.5 ACOMP_x_OUT_EN.....	233
6.1.6 ACOMP_x_SEL.....	233
6.1.7 ACOMP_F_REF_SEL.....	234
6.1.8 ACOMPCTRL Register Arrangement.....	234
6.2 Analog Comparator Ramp.....	234
6.3 Digital Comparator Configuration.....	234
6.4 Fault Pin Configuration.....	235
6.5 Analog Peak Current.....	235
6.6 Fault Status Registers.....	235
6.7 Fault Mux Control Registers.....	235
6.8 DPWM Fault Action.....	236
6.9 IDE / DCM Detection Control.....	237
6.10 Oscillator Failure Detection.....	240
6.10.1 High Frequency Oscillator Failure Detection.....	240
6.10.2 Low Frequency Oscillator Failure Detection.....	240
6.11 Fault Mux Registers Reference.....	240
6.11.1 Analog Comparator Control 0 Register (ACOMPCTRL0).....	240
6.11.2 Analog Comparator Control 1 Register (ACOMPCTRL1).....	243
6.11.3 Analog Comparator Control 2 Register (ACOMPCTRL2).....	245
6.11.4 Analog Comparator Control 3 Register (ACOMPCTRL3).....	247
6.11.5 External Fault Control Register (EXTFAULTCTRL).....	248
6.11.6 Fault Mux Interrupt Status Register (FAULTMUXINTSTAT).....	250
6.11.7 Fault Mux Raw Status Register (FAULTMUXRAWSTAT).....	252
6.11.8 Comparator Ramp Control 0 Register (COMPRAMP0).....	254
6.11.9 Digital Comparator Control 0 Register (DCOMPCTRL0).....	256

6.11.10 Digital Comparator Control 1 Register (DCOMPCTRL1).....	257
6.11.11 Digital Comparator Control 2 Register (DCOMPCTRL2).....	258
6.11.12 Digital Comparator Control 3 Register (DCOMPCTRL3).....	259
6.11.13 Digital Comparator Counter Status Register (DCOMP CNTSTAT).....	260
6.11.14 DPWM 0 Current Limit Control Register (DPWM0CLIM).....	261
6.11.15 DPWM 0 Fault AB Detection Register (DPWM0FLTABDET).....	263
6.11.16 DPWM 0 Fault Detection Register (DPWM0FAULTDET).....	264
6.11.17 DPWM 1 Current Limit Control Register (DPWM1CLIM).....	267
6.11.18 DPWM 1 Fault AB Detection Register (DPWM1FLTABDET).....	269
6.11.19 DPWM 1 Fault Detection Register (DPWM1FAULTDET).....	271
6.11.20 DPWM 2 Current Limit Control Register (DPWM2CLIM).....	274
6.11.21 DPWM 2 Fault AB Detection Register (DPWM2FLTABDET).....	276
6.11.22 DPWM 2 Fault Detection Register (DPWM2FAULTDET).....	278
6.11.23 DPWM 3 Current Limit Control Register (DPWM3CLIM).....	281
6.11.24 DPWM 3 Fault AB Detection Register (DPWM3FLTABDET).....	283
6.11.25 DPWM 3 Fault Detection Register (DPWM3FAULTDET).....	285
6.11.26 HFO Fail Detect Register (HFOFAILDET).....	288
6.11.27 LFO Fail Detect Register (LFOFAILDET).....	289
6.11.28 IDE Control Register (IDCTRL).....	290
7 GIO Module	291
7.1 Fault IO Direction Register (FAULTDIR).....	292
7.2 Fault Input Register (FAULTIN).....	293
7.3 Fault Output Register (FAULTOUT).....	294
7.4 Fault Interrupt Enable Register (FAULTINTENA).....	295
7.5 Fault Interrupt Polarity Register (FAULTINTPOL).....	296
7.6 Fault Interrupt Pending Register (FAULTINTPEND).....	297
7.7 External Interrupt Direction Register (EXTINTDIR).....	298
7.8 External Interrupt Input Register (EXTINTIN).....	299
7.9 External Interrupt Output Register (EXTINTOUT).....	300
7.10 External Interrupt Enable Register (EXTINTENA).....	301
7.11 External Interrupt Polarity Register (EXTINTPOL).....	302
7.12 External Interrupt Pending Register (EXTINTPEND).....	303
7.13 References.....	303
8 ADC12 Overview	304
8.1 ADC12 Input Impedance Model.....	306
8.2 ADC12 Impedance vs. Sampling Frequency Data.....	307
8.3 Effect of External Capacitance.....	308
8.4 Channel to Channel Crosstalk.....	308
8.5 Impedance Roll-Off Due to Crosstalk.....	308
8.6 ADC12 Control FSM.....	309
8.7 Conversion.....	309
8.8 Sequencing.....	311
8.9 Digital Comparators.....	311
8.10 ADC Averaging.....	312
8.11 Temperature Sensor.....	313
8.12 Temp Sensor Control Register (TEMPSENCTRL).....	314
8.13 PMBus Addressing.....	315
8.13.1 PMBus Control Register 3 (PMBCTRL3).....	315
8.14 Dual Sample and Hold.....	316
8.14.1 ADC Control Register (ADCCTRL).....	317
8.15 Usage of Sample and Hold Circuitry for High Impedance Measurement.....	317
8.15.1 C Code Example.....	319
8.16 ADC Configuration Examples.....	319
8.16.1 Software Initiated Conversions.....	319
8.16.2 Single Sweep Operation.....	320
8.16.3 Auto-Triggered Conversions.....	321
8.16.4 Continuous Conversions.....	321
8.16.5 Start/Stop Operation (External Trigger).....	322
8.17 Useful C Language Statement Examples.....	323
8.18 ADC Registers.....	324
8.18.1 ADC Control Register (ADCCTRL).....	324

8.18.2 ADC Status Register (ADCSTAT).....	327
8.18.3 ADC Test Control Register (ADCTSTCTRL).....	328
8.18.4 ADC Sequence Select Register 0 (ADCSEQSEL0).....	329
8.18.5 ADC Sequence Select Register 1 (ADCSEQSEL1).....	331
8.18.6 ADC Sequence Select Register 2 (ADCSEQSEL2).....	333
8.18.7 ADC Sequence Select Register 3 (ADCSEQSEL3).....	335
8.18.8 ADC Result Registers 0-15 (ADCRESULTx, x=0:15).....	337
8.18.9 ADC Averaged Result Registers 0-5 (ADCAVGRESULTx, x=0:15).....	338
8.18.10 ADC Digital Compare Limits Register 0-5 (ADCCOMPLIMx, x=0:5).....	339
8.18.11 ADC Digital Compare Enable Register (ADCCOMPEN).....	340
8.18.12 ADC Digital Compare Results Register (ADCCOMPRESULT).....	343
8.18.13 ADC Averaging Control Register (ADCAVGCTRL).....	346
9 Advanced Power Management Control Functions	348
9.1 Package ID Information.....	349
9.2 Brownout.....	349
9.3 Temperature Sensor Control.....	349
9.4 I/O Mux Control.....	349
9.5 Current Sharing Control.....	349
9.6 Temperature Reference.....	351
9.7 Power Disable Control or (Clock Gating Control).....	351
9.8 Miscellaneous Analog Control Registers.....	352
9.8.1 Package ID Register (PKGID).....	352
9.8.2 Brownout Register (BROWNOUT).....	353
9.8.3 Temp Sensor Control Register (TEMPSENCTRL).....	354
9.8.4 I/O Mux Control Register (IOMUX).....	355
9.8.5 Current Sharing Control Register (CSCTRL).....	357
9.8.6 Temperature Reference Register (TEMPREF).....	358
9.8.7 Power Disable Control Register (PWRDISCTRL).....	359
9.9 GPIO Overview.....	361
9.10 Interaction with a Single Pin.....	361
9.11 Interaction with Multiple Pins.....	363
9.12 Registers.....	364
9.12.1 Global I/O EN Register (GBIOEN).....	364
9.12.2 Global I/O OE Register (GLBIOOE).....	365
9.12.3 Global I/O Open Drain Control Register (GLBIOOD).....	366
9.12.4 Global I/O Value Register (GLBIOVAL).....	367
9.12.5 Global I/O Read Register (GLBIOREAD).....	368
9.13 Need to Clear HFO_LN_FILTER_EN Bit.....	369
9.13.1 Clock Trim Register (CLKTRIM) (For Factory Test Use Only, Except HFO_LN_FILTER_EN).....	369
10 PMBus Interface/I2C Interface	370
10.1 PMBus Register Summary.....	371
10.2 PMBus Slave Mode Initialization.....	371
10.2.1 Initialization for Polling and Maximum Automatic Acknowledgement.....	371
10.2.2 Initialization for Interrupts and for Manual Acknowledgement.....	371
10.2.3 Initialization for I2C.....	372
10.2.4 Initialization for Advanced Features in Some Devices.....	372
10.3 PMBus Slave Mode Command Examples.....	373
10.3.1 Write Command (Send Byte), No PEC.....	373
10.3.2 Other Simple Writes with Auto Acknowledge.....	374
10.3.3 Quick Command Write.....	376
10.3.4 Writes of 4 Bytes or More With Full Auto Acknowledge.....	376
10.3.5 Writes with Less than 3 Bytes Auto-Acknowledged.....	377
10.3.6 Manual Slave Address ACK for Write.....	377
10.3.7 Manual Command ACK.....	378
10.3.8 Read Messages with Full Automation.....	379
10.3.9 Simple Read of 4 Bytes with Full Automation.....	380
10.3.10 Simple Read of More than 4 Bytes with Full Automation.....	381
10.3.11 Quick Command Read.....	382
10.3.12 Simple Read with Manual Slave Address ACK.....	382
10.3.13 Write/Read with Repeated Start.....	383
10.3.14 Automatic PEC Addition.....	384

10.4 Avoiding Clock Stretching.....	385
10.4.1 Using Early TXBUF Write to Avoid Clock Stretch.....	385
10.4.2 Alert Response.....	386
10.5 PMBus Slave Mode Low Level Timing.....	387
10.6 Effect of MAN_SLAVE_ACK bit on EOM Handling.....	389
10.7 Master Mode Operation Reference.....	390
10.7.1 Quick Command.....	391
10.7.2 Send Byte.....	391
10.7.3 Receive Byte.....	391
10.7.4 Write Byte/Word.....	392
10.7.5 Read Byte/Read Word.....	393
10.7.6 Process Call.....	394
10.7.7 Block Write.....	395
10.7.8 Block Read.....	396
10.7.9 Block Write-Block Read Process Call.....	397
10.7.10 Alert Response.....	397
10.7.11 Extended Command - Write Byte/Word, Read Byte/Word.....	398
10.7.12 Group Command.....	399
10.8 PMBUS Communications Fault Handling.....	399
10.8.1 Bit Counter.....	399
10.8.2 Test Mode (Manufacturer Reserved Address Match).....	399
10.9 Other Functions of the PMBus Module.....	400
10.10 PMBus Interface Registers Reference.....	401
10.10.1 PMBUS Control Register 1 (PMBCTRL1).....	401
10.10.2 PMBus Transmit Data Buffer (PMBTXBUF).....	402
10.10.3 PMBus Receive Data Register (PMBRXBUF).....	403
10.10.4 PMBus Acknowledge Register (PMBACK).....	404
10.10.5 PMBus Status Register (PMBST).....	405
10.10.6 PMBus Interrupt Mask Register (PMBINTM).....	407
10.10.7 PMBus Control Register 2 (PMBCTRL2).....	408
10.10.8 PMBus Hold Slave Address Register (PMBHSA).....	410
10.10.9 PMBus Control Register 3 (PMBCTRL3).....	411
11 Timer Module Overview.....	414
11.1 T24 – 24 Bit Free-Running Timer with Capture and Compare.....	415
11.2 T24 Clock Source, Prescaler and Counter.....	415
11.3 T24 Capture Block.....	416
11.4 T24 Compare Blocks.....	417
11.5 T24 Interrupts.....	417
11.6 T16PWMx - 16 Bit PWM Timers.....	417
11.7 T16PWMx Summary.....	418
11.8 T16PWMx Prescaler and Counter.....	418
11.9 T16PWMx Compare Blocks.....	419
11.10 T16 Shadow Bit.....	419
11.11 T16 Interrupts.....	420
11.12 Using the T16 for a Timer Interrupt.....	420
11.13 Using the T16 for PWM Generation.....	420
11.14 WD - Watchdog.....	420
11.15 Watchdog Prescale and Counter.....	421
11.16 Watchdog Compare Blocks.....	421
11.17 Watchdog Protect Bit.....	421
11.18 Watchdog Timer Example.....	422
11.19 Warnings for Watchdog Status Register.....	422
11.20 System Fault Recovery Basics.....	422
11.21 Timer Module Register Reference.....	423
11.21.1 24-bit Counter Data Register (T24CNTDAT).....	423
11.21.2 24-bit Counter Control Register (T24CNTCTRL).....	424
11.21.3 24-bit Capture Channel Data Register (T24CAPDAT) or (T24CAPDATx).....	425
11.21.4 24-bit Capture Channel Control Register (T24CAPCTRLx or T24CAPCTRL).....	426
11.21.5 24-bit Capture I/O Control and Data Register (T24CAPIO).....	427
11.21.6 24-bit Output Compare Channel 0 Data Register (T24CMPDAT0).....	428
11.21.7 24-bit Output Compare Channel 1 Data Register (T24CMPDAT1).....	429

11.21.8 24-bit Output Compare Channel 0 Control Register (T24CMPCTRL0).....	430
11.21.9 24-bit Output Compare Channel 1 Control Register (T24CMPCTRL1).....	431
11.21.10 PWMx Counter Data Register (T16PWMxCNTDAT).....	432
11.21.11 PWMx Counter Control Register (T16PWMxCNTCTRL).....	433
11.21.12 PWMx 16-bit Compare Channel 0-1 Data Register (T16PWMxCMPyDAT).....	434
11.21.13 PWMx Compare Control Register (T16PWMxCMPCTRL).....	435
11.21.14 Watchdog Status (WDST).....	437
11.21.15 Watchdog Control (WDCTRL).....	438
12 UART Overview	439
12.1 UART Frame Format.....	440
12.2 Asynchronous Timing Mode.....	440
12.3 UART Interrupts.....	442
12.4 Transmit Interrupt.....	443
12.5 Receive Interrupt.....	443
12.6 Error Interrupts.....	443
12.7 UART Registers Reference.....	445
12.7.1 UART Control Register 0 (UARTCTRL0).....	445
12.7.2 UART Receive Status Register (UARTRXST).....	446
12.7.3 UART Transmit Status Register (UARTTXST).....	447
12.7.4 UART Control Register 3 (UARTCTRL3).....	448
12.7.5 UART Interrupt Status Register (UARTINTST).....	449
12.7.6 UART Baud Divisor High Byte Register (UARTHBAUD).....	450
12.7.7 UART Baud Divisor Middle Byte Register (UARTMBAUD).....	451
12.7.8 UART Baud Divisor Low Byte Register (UARTLBAUD).....	452
12.7.9 UART Receive Buffer (UARTRXBUF).....	453
12.7.10 UART Transmit Buffer (UARTTXBUF).....	454
12.7.11 UART I/O Control Register (UARTIOCTRLSCLK, UARTIOCTRLRX, UARTIOCTRLTX).....	455
13 Boot ROM and Boot Flash	456
13.1 Boot ROM Function.....	457
13.1.1 Initializing UCD3138.....	457
13.1.2 Verifying Checksums.....	457
13.1.3 Uses for 2 Different Checksums.....	457
13.1.4 Avoiding Program Flash Lockup.....	459
13.1.5 Using BOOT ROM PMBus Interface.....	459
13.2 Memory Read Functionality.....	459
13.2.1 Configure Read Address.....	460
13.2.2 Read 4 Bytes.....	460
13.2.3 Read 16 Bytes.....	460
13.2.4 Read Next 16 Bytes.....	460
13.3 Read Version.....	461
13.4 Memory Write Functionality.....	461
13.4.1 Write 4 Bytes.....	461
13.4.2 Write 16 Bytes.....	462
13.4.3 Write Next 16 Bytes.....	462
13.5 Flash Functions.....	462
13.5.1 Mass Erase.....	463
13.5.2 Page Erase.....	464
13.5.3 Execute Flash.....	465
13.5.4 Flash Programming Sequence using Boot ROM.....	465
13.6 Checksum Functions.....	466
13.6.1 Calculation of Checksum.....	466
13.6.2 Reading Checksum.....	466
13.7 Trim Flash Checksum Verification.....	466
13.8 Boot ROM for the Other Members of the UCD3138 Family.....	467
13.8.1 UCD3138064 and UCD3138064A.....	467
13.8.2 UCD3138A64 and UCD3138A64A.....	468
13.8.3 UCD3138128 and UCD3138128A.....	469
14 ARM7TDMI-S MPUSS	471
14.1 ARM7TDMI-S Modes of Operation.....	472
14.1.1 Exceptions.....	474
14.2 Hardware Interrupts.....	474

14.2.1 Standard Interrupt (IRQ).....	474
14.2.2 Fast Interrupt (FIQ).....	475
14.3 Software Interrupt.....	475
14.4 ARM7TDMI-S Instruction Set.....	476
14.4.1 Instruction Compression.....	476
14.4.2 The Thumb Instruction Set.....	476
14.5 Dual-State Interworking.....	476
14.5.1 Level of Dual-State Support.....	477
14.5.2 Implementation.....	478
14.5.3 Naming Conventions for Entry Points (CCS 3.x).....	478
14.5.4 Indirect Calls.....	478
14.5.5 UCD3138 Reference Code.....	480
15 Memory.....	484
15.1 Memory Controller – MMC Registers Reference.....	487
15.1.1 Static Memory Control Register (SMCTRL).....	487
15.1.2 Write Control Register (WCTRL).....	489
15.1.3 Peripheral Control Register (PCTRL).....	490
15.1.4 Peripheral Location Register (PLOC).....	491
15.1.5 Peripheral Protection Register (PPROT).....	492
15.2 DEC – Address Manager Registers Reference.....	493
15.2.1 Memory Fine Base Address High Register 0 (MFBHR0).....	494
15.2.2 Memory Fine Base Address Low Register 0 (MFBALR0).....	495
15.2.3 1.1.1 Memory Fine Base Address High Register 1-3,17-19 (MFBHRx).....	496
15.2.4 Memory Fine Base Address Low Register 1-3, 17-19 (MFBALRx).....	497
15.2.5 Memory Fine Base Address High Load Differences for Enhanced 3138 Devices.....	498
15.2.6 Memory Fine Base Address High Register 4 (MFBHR4).....	499
15.2.7 Memory Fine Base Address Low Register 4-16 (MFBALRx).....	500
15.2.8 Memory Fine Base Address High Register 5 (MFBHR5).....	501
15.2.9 Memory Fine Base Address High Register 6 (MFBHR6).....	502
15.2.10 Memory Fine Base Address High Register 7 (MFBHR7).....	503
15.2.11 Memory Fine Base Address High Register 8 (MFBHR8).....	504
15.2.12 Memory Fine Base Address High Register 9 (MFBHR9).....	505
15.2.13 Memory Fine Base Address High Register 10 (MFBHR10).....	506
15.2.14 Memory Fine Base Address High Register 11 (MFBHR11).....	507
15.2.15 Memory Fine Base Address High Register 12 (MFBHR12).....	508
15.2.16 Memory Fine Base Address High Register 13 (MFBHR13).....	509
15.2.17 Memory Fine Base Address High Register 14 (MFBHR14).....	510
15.2.18 Memory Fine Base Address High Register 15 (MFBHR15).....	511
15.2.19 Memory Fine Base Address High Register 16 (MFBHR16).....	512
15.2.20 Program Flash Control Register (PFLASHCTRL).....	513
15.2.21 Data Flash Control Register (DFLASHCTRL).....	514
15.2.22 Flash Interlock Register (FLASHLOCK).....	515
16 Control System Module.....	516
16.1 Address Decoder (DEC).....	517
16.1.1 Memory Mapping Basics.....	517
16.1.2 Why Change Memory Map?.....	518
16.1.3 How do Memory Map Registers Work?.....	519
16.1.4 RONLY Bit.....	519
16.1.5 Boot ROM Memory Initialization.....	519
16.1.6 Erasing the Programming Flash.....	520
16.1.7 Waiting for Flash Operations to Finish.....	520
16.1.8 Flash Interlock Register.....	521
16.1.9 Clearing RONLY Bit.....	521
16.1.10 Switching from User Mode to Supervisor Mode.....	521
16.1.11 Erasing Data Flash.....	521
16.1.12 Writing to Data Flash.....	521
16.1.13 Erasing Program Flash.....	522
16.1.14 Writing to Program Flash.....	522
16.2 Memory Management Controller (MMC).....	522
16.3 System Management (SYS).....	522
16.4 Central Interrupt Module (CIM).....	522

16.4.1 Interrupt Handling by CPU.....	524
16.4.2 Interrupt Generation at Peripheral.....	524
16.4.3 CIM Interrupt Management (CIM).....	524
16.4.4 CIM Input Channel Management.....	525
16.4.5 CIM Prioritization.....	526
16.4.6 CIM Operation.....	526
16.4.7 Register Map.....	528
16.5 SYS – System Module Registers Reference.....	528
16.5.1 Clock Control Register (CLKCNTL).....	528
16.5.2 System Exception Control Register (SYSECR).....	530
16.5.3 System Exception Status Register (SYSESR).....	531
16.5.4 Abort Exception Status Register (ABRTESR).....	534
16.5.5 Global Status Register (GLBSTAT).....	535
16.5.6 Device Identification Register (DEV).....	536
16.5.7 System Software Interrupt Flag Register (SSIF).....	537
16.5.8 System Software Interrupt Request Register (SSIR).....	538
16.5.9 References.....	538
17 Flash Memory Programming, Integrity, and Security.....	539
17.1 Quick Start Summary.....	540
17.1.1 ROM Bootstrap and Program Flash Checksum.....	540
17.1.2 Firmware Development Setup.....	540
17.1.3 Production Setup.....	540
17.2 Flash Memory Operations.....	540
17.2.1 UCD3138 Memory Maps.....	540
17.2.2 Flash Programming in ROM Mode.....	541
17.2.3 Clearing the Flash.....	541
17.2.4 3138 Family Members with Multiple Flash Blocks.....	541
17.3 Flash Management for Firmware Development.....	542
17.3.1 Best Practice for Firmware Development.....	542
17.3.2 Firmware Development with "Backdoors".....	542
17.3.3 I/O Line Based Backdoors.....	542
17.3.4 Communications Backdoors.....	543
17.4 Flash Management in Production.....	543
17.5 Firmware Examples.....	544
17.5.1 Checksum Clearing.....	544
17.5.2 Erasing Flash.....	545
17.5.3 Serial Port Based Backdoor.....	545
17.5.4 I/O Line Based Back Door.....	545
18 CIM – Central Interrupt Module Registers Reference.....	546
18.1 IRQ Index Offset Vector Register (IRQIVEC).....	547
18.2 FIQ Index Offset Vector Register (FIQIVEC).....	548
18.3 FIQ/IRQ Program Control Register (FIRQPR).....	549
18.4 Pending Interrupt Read Location Register (INTREQ).....	550
18.5 Interrupt Mask Register (REQMASK).....	551
19 Revision History.....	552

List of Figures

Figure 1-1.....	25
Figure 2-1. Block Diagram of a DPWM Module.....	28
Figure 2-2. Block Diagram of Timing Module in the DPWM module.....	29
Figure 2-3. DPWM Mode - Multi-mode, Open Loop.....	31
Figure 2-4. DPWM - Normal Mode.....	32
Figure 2-5. DPWM - Phase Shift Mode.....	34
Figure 2-6. DPWM – Multiple Output Mode (Multi Mode).....	36
Figure 2-7. DPWM – Resonant Mode.....	38
Figure 2-8. DPWM – Triangular Mode.....	39
Figure 2-9. DPWM – Leading Edge Mode.....	40
Figure 2-10. SyncFET IDE (Normal Mode).....	41
Figure 2-11. Resonant LLC implementation in UCD3138 with Automatic Mode Switching.....	42
Figure 2-12. Mechanism for Automatic Mode Switching in UCD3138.....	43

Figure 2-13. UCD3138 Edge-Gen & Intra-Mux.....	44
Figure 2-14.	49
Figure 2-15. Minimum Duty Mode 1.....	51
Figure 2-16. Minimum Duty Mode 2.....	51
Figure 2-17. DPWM Control Register 0 (DPWMCTRL0).....	61
Figure 2-18. DPWM Control Register 1 (DPWMCTRL1).....	64
Figure 2-19. DPWM Control Register 2 (DPWMCTRL2).....	67
Figure 2-20. DPWM Period Register (DPWMPRD).....	69
Figure 2-21. DPWM Event 1 Register (DPWMEV1).....	70
Figure 2-22. DPWM Event 2 Register (DPWMEV2).....	71
Figure 2-23. DPWM Event 3 Register (DPWMEV3).....	72
Figure 2-24. DPWM Event 4 Register (DPWMEV4).....	73
Figure 2-25. DPWM Sample Trigger 1 Register (DPWMSAMPTRIG1).....	74
Figure 2-26. DPWM Sample Trigger 2 Register (DPWMSAMPTRIG2).....	75
Figure 2-27. DPWM Phase Trigger Register (DPWMPHASETRIG).....	76
Figure 2-28. DPWM Cycle Adjust A Register (DPWMCYCADJA).....	77
Figure 2-29. DPWM Cycle Adjust B Register (DPWMCYCADJB).....	78
Figure 2-30. DPWM Resonant Duty Register (DPWMRESDUTY).....	79
Figure 2-31. DPWM Fault Control Register (DPWMFLTCTRL).....	80
Figure 2-32. DPWM Overflow Register (DPWMOVERFLOW).....	81
Figure 2-33. DPWM Interrupt Register (DPWMINT).....	82
Figure 2-34. DPWM Counter Preset Register (DPWMCNTPRE).....	85
Figure 2-35. DPWM Blanking A Begin Register (DPWMBLKABEG).....	86
Figure 2-36. DPWM Blanking A End Register (DPWMBLKAEND).....	87
Figure 2-37. DPWM Blanking B Begin Register (DPWMBLKBEG).....	88
Figure 2-38. DPWM Blanking B End Register (DPWMBLKBEND).....	89
Figure 2-39. DPWM Minimum Duty Cycle High Register (DPWMMINDUTYHI).....	90
Figure 2-40. DPWM Minimum Duty Cycle Low Register (DPWMMINDUTYLO).....	91
Figure 2-41. DPWM Adaptive Sample Register (DPWMADAPTIVE).....	92
Figure 2-42. DPWM Fault Status (DPWMFLTSTAT).....	93
Figure 2-43. DPWM Auto Switch High Upper Thresh Register (DPWMAUTOSWHIUPHRESH).....	94
Figure 2-44. DPWM Auto Switch High Lower Thresh Register (DPWMAUTOSWHILOWTHRESH).....	95
Figure 2-45. DPWM Auto Switch Low Upper Thresh Register (DPWMAUTOSWLOUPHRESH).....	96
Figure 2-46. DPWM Auto Switch Low Lower Thresh Register (DPWMAUTOSWLOWHRESH).....	97
Figure 2-47. DPWM Auto Config Max Register (DPWMAUTOMAX).....	98
Figure 2-48. DPWM Auto Config Mid Register (DPWMAUTOMID).....	101
Figure 2-49. DPWM Edge PWM Generation Control Register (DPWMEDGEGEN).....	104
Figure 2-50. DPWM Filter Duty Read Register (DPWMFILTERDUTYREAD).....	106
Figure 2-51. DPWM BIST Status Register (DPWMBISTSTAT).....	107
Figure 3-1. Simplified Block Diagram of Front End in UCD3138 (Front End 2 recommended for Peak Current Mode Control).....	108
Figure 3-2.	111
Figure 3-3. Consecutive Mode of Averaging by EADC.....	114
Figure 3-4. Spatial Mode of Averaging by EADC.....	114
Figure 3-5. DAC Dither.....	117
Figure 3-6.	119
Figure 3-7. Ideal Diode Emulation (IDE) Module in UCD3138.....	121
Figure 3-8. Ramp Control Register (RAMPCTRL).....	124
Figure 3-9. Ramp Status Register (RAMPSTAT).....	126
Figure 3-10. Ramp Cycle Register (RAMPCYCLE).....	128
Figure 3-11. EADC DAC Value Register (EADC DAC).....	129
Figure 3-12. Ramp DAC Ending Value Register (RAMPDACEND).....	130
Figure 3-13. DAC Step Register (DACSTEP).....	131
Figure 3-14. DAC Saturation Step Register (DACSATSTEP).....	132
Figure 3-15. EADC Trim Register (EADC TRIM).....	133
Figure 3-16. EADC Control Register (EADC CTRL).....	134
Figure 3-17. Analog Control Register (ACTRL).....	137
Figure 3-18. Pre-Bias Control Register 0 (PREBIASCTRL0).....	138
Figure 3-19. Pre-Bias Control Register 1 (PREBIASCTRL1).....	139
Figure 3-20. SAR Control Register (SAR CTRL).....	140
Figure 3-21. SAR Timing Register (SAR TIMING).....	141

Figure 3-22. EADC Value Register (EADCVALUE).....	142
Figure 3-23. EADC Raw Value Register (EADCRAWVALUE).....	143
Figure 3-24. DAC Status Register (DACSTAT).....	144
Figure 4-1.	146
Figure 4-2.	148
Figure 4-3.	149
Figure 4-4.	155
Figure 4-5.	156
Figure 4-6. Filter Status Register (FILTERSTATUS).....	159
Figure 4-7. Filter Control Register (FILTERCTRL).....	160
Figure 4-8. CPU XN Register (CPUXN).....	162
Figure 4-9. Filter XN Read Register (FILTERXNREAD).....	163
Figure 4-10. Filter KI_YN Read Register (FILTERKIYNREAD).....	164
Figure 4-11. Filter KD_YN Read Register (FILTERKDYNREAD).....	165
Figure 4-12. Filter YN Read Register (FILTERYNREAD).....	166
Figure 4-13. Coefficient Configuration Register (COEFCONFIG).....	167
Figure 4-14. Filter KP Coefficient 0 Register (FILTERKPCOEFO).....	170
Figure 4-15. Filter KP Coefficient 1 Register (FILTERKPCOE1).....	171
Figure 4-16. Filter KI Coefficient 0 Register (FILTERKICOEF0).....	172
Figure 4-17. Filter KI Coefficient 1 Register (FILTERKICOEF1).....	173
Figure 4-18. Filter KD Coefficient 0 Register (FILTERKDCOEF0).....	174
Figure 4-19. Filter KD Coefficient 1 Register (FILTERKDCOEF1).....	175
Figure 4-20. Filter KD Alpha Register (FILTERKDALPHA).....	176
Figure 4-21. Filter Nonlinear Limit Register 0 (FILTERNL0).....	177
Figure 4-22. Filter Nonlinear Limit Register 1 (FILTERNL1).....	178
Figure 4-23. Filter Nonlinear Limit Register 2 (FILTERNL2).....	179
Figure 4-24. Filter KI Feedback Clamp High Register (FILTERKICLPHI).....	180
Figure 4-25. Filter KI Feedback Clamp Low Register (FILTERKICLPLO).....	181
Figure 4-26. Filter YN Clamp High Register (FILTERYNCLPHI).....	182
Figure 4-27. Filter YN Clamp Low Register (FILTERYNCLPLO).....	183
Figure 4-28. Filter Output Clamp High Register (FILTEROCLPHI).....	184
Figure 4-29. Filter Output Clamp Low Register (FILTEROCLPLO).....	185
Figure 4-30. Filter Preset Register (FILTERPRESET).....	186
Figure 5-1. UCD3138 Flux Balancing Approach.....	192
Figure 5-2. Front End Control 0 Mux Register (FECTRL0MUX).....	193
Figure 5-3. Front End Control 1 Mux Register (FECTRL1MUX).....	195
Figure 5-4. Front End Control 2 Mux Register (FECTRL2MUX).....	197
Figure 5-5. Sample Trigger Control Register (SAMPTRIGCTRL).....	199
Figure 5-6. External DAC Control Register (EXTDACCTRL).....	201
Figure 5-7. Filter Mux Register (FILTERMUX).....	203
Figure 5-8. Filter KComp A Register (FILTERKCOMPA).....	205
Figure 5-9. Filter KComp B Register (FILTERKCOMPB).....	206
Figure 5-10. DPWM Mux Register (DPWMMUX).....	207
Figure 5-11. Constant Power Control Register (CPCTRL).....	209
Figure 5-12. Constant Power Nominal Threshold Register (CPNOM).....	211
Figure 5-13. Constant Power Max Threshold Register (CPMAX).....	212
Figure 5-14. Constant Power Configuration Register (CPCONFIG).....	213
Figure 5-15. Constant Power Max Power Register (CPMAXPWR).....	214
Figure 5-16. Constant Power Integrator Threshold Register (CPINTTHRESH).....	215
Figure 5-17. Constant Power Firmware Divisor Register (CPFWDIVISOR).....	216
Figure 5-18. Constant Power Status Register (CPSTAT).....	217
Figure 5-19. Cycle Adjustment Control Register (CYCADJCTRL).....	218
Figure 5-20. Cycle Adjustment Limit Register (CYCADJLIM).....	219
Figure 5-21. Cycle Adjustment Status Register (CYCADJSTAT).....	220
Figure 5-22. Global Enable Register (GLBEN).....	221
Figure 5-23. PWM Global Period Register (PWMGLBPRD).....	222
Figure 5-24. Sync Control Register (SYNCCTRL).....	223
Figure 5-25. Light Load Control Register (LLCTRL).....	224
Figure 5-26. Light Load Enable Threshold Register (LLENTHRESH).....	225
Figure 5-27. Light Load Disable Threshold Register (LLDISTHRESH).....	226
Figure 5-28. Peak Current Mode Control Register (PCMCTRL).....	227

Figure 5-29. Analog Peak Current Mode Control Register (APCMCTRL).....	228
Figure 5-30. Loop Mux Test Register (LOOPMUXTEST) (Test Use Only).....	229
Figure 6-1. UCD3138 Fault Handling System.....	231
Figure 6-2. UCD3138 Analog Comparator Control.....	233
Figure 6-3. UCD3138 DPWM Fault Action.....	236
Figure 6-4.	238
Figure 6-5. Analog Comparator Control 0 Register (ACOMPCTRL0).....	240
Figure 6-6. Analog Comparator Control 1 Register (ACOMPCTRL1).....	243
Figure 6-7. Analog Comparator Control 2 Register (ACOMPCTRL2).....	245
Figure 6-8. Analog Comparator Control 3 Register (ACOMPCTRL3).....	247
Figure 6-9. External Fault Control Register (EXTFAULTCTRL).....	248
Figure 6-10. Fault Mux Interrupt Status Register (FAULTMUXINTSTAT).....	250
Figure 6-11. Fault Mux Raw Status Register (FAULTMUXRAWSTAT).....	252
Figure 6-12. Comparator Ramp Control 0 Register (COMPRAMP0).....	254
Figure 6-13. Digital Comparator Control 0 Register (DCOMPCTRL0).....	256
Figure 6-14. Digital Comparator Control 1 Register (DCOMPCTRL1).....	257
Figure 6-15. Digital Comparator Control 2 Register (DCOMPCTRL2).....	258
Figure 6-16. Digital Comparator Control 3 Register (DCOMPCTRL3).....	259
Figure 6-17. Digital Comparator Counter Status Register (DCOMP CNTSTAT).....	260
Figure 6-18. DPWM 0 Current Limit Control Register (DPWM0CLIM).....	261
Figure 6-19. DPWM 0 Fault AB Detection Register (DPWM0FLTABDET).....	263
Figure 6-20. DPWM 0 Fault Detection Register (DPWM0FAULTDET).....	264
Figure 6-21. DPWM 1 Current Limit Control Register (DPWM1CLIM).....	267
Figure 6-22. DPWM 1 Fault AB Detection Register (DPWM1FLTABDET).....	269
Figure 6-23. DPWM 1 Fault Detection Register (DPWM1FAULTDET).....	271
Figure 6-24. DPWM 2 Current Limit Control Register (DPWM2CLIM).....	274
Figure 6-25. DPWM 2 Fault AB Detection Register (DPWM2FLTABDET).....	276
Figure 6-26. DPWM 2 Fault Detection Register (DPWM2FAULTDET).....	278
Figure 6-27. DPWM 3 Current Limit Control Register (DPWM3CLIM).....	281
Figure 6-28. DPWM 3 Fault AB Detection Register (DPWM3FLTABDET).....	283
Figure 6-29. DPWM 3 Fault Detection Register (DPWM3FAULTDET).....	285
Figure 6-30. HFO Fail Detect Register (HFOFAILDET).....	288
Figure 6-31. LFO Fail Detect Register (LFOFAILDET).....	289
Figure 6-32. IDE Control Register (IDECTRL).....	290
Figure 7-1. Fault IO Direction Register (FAULTDIR).....	292
Figure 7-2. Fault Input Register (FAULTIN).....	293
Figure 7-3. Fault Output Register (FAULTOUT).....	294
Figure 7-4. Fault Interrupt Enable Register (FAULTINTENA).....	295
Figure 7-5. Fault Interrupt Polarity Register (FAULTINTPOL).....	296
Figure 7-6. Fault Interrupt Pending Register (FAULTINTPEND).....	297
Figure 7-7. External Interrupt Direction Register (EXTINTDIR).....	298
Figure 7-8. External Interrupt Input Register (EXTINTIN).....	299
Figure 7-9. External Interrupt Output Register (EXTINTOUT).....	300
Figure 7-10. External Interrupt Enable Register (EXTINTENA).....	301
Figure 7-11. External Interrupt Polarity Register (EXTINTPOL).....	302
Figure 7-12. External Interrupt Pending Register (EXTINTPEND).....	303
Figure 8-1. ADC12 Control Block Diagram.....	304
Figure 8-2. ADC12 Input Impedance Model.....	306
Figure 8-3. ADC Input Impedance Model Containing External Circuits.....	306
Figure 8-4. Impedance Test Setup.....	307
Figure 8-5. ADC12 Channel Impedance.....	307
Figure 8-6. S/H Capacitor Charge vs. Settling Time.....	308
Figure 8-7. External Capacitance Makes Lower Source Impedance.....	308
Figure 8-8. Channel to Channel Crosstalk.....	308
Figure 8-9. ADC Control Register (ADCCTRL).....	309
Figure 8-10. UCS3138 Digital Comparators Control Block Diagram.....	312
Figure 8-11. Temp Sensor Control Register (TEMPSENCTRL).....	314
Figure 8-12. PMBus Control Register 3 (PMBCTRL3).....	315
Figure 8-13. PMBus Addressing.....	316
Figure 8-14. ADC Control Register (ADCCTRL).....	317
Figure 8-15. Dual Sample and Hold Circuitry in ADC12.....	318

Figure 8-16. ADC12 Dual Sample and Hold Configuration.....	318
Figure 8-17.	321
Figure 8-18.	323
Figure 8-19. ADC Control Register (ADCCTRL).....	324
Figure 8-20. ADC Status Register (ADCSTAT).....	327
Figure 8-21. ADC Test Control Register (ADCTSTCTRL).....	328
Figure 8-22. ADC Sequence Select Register 0 (ADCSEQSEL0).....	329
Figure 8-23. ADC Sequence Select Register 1 (ADCSEQSEL1).....	331
Figure 8-24. ADC Sequence Select Register 2 (ADCSEQSEL2).....	333
Figure 8-25. ADC Sequence Select Register 3 (ADCSEQSEL3).....	335
Figure 8-26. ADC Result Registers 0-15 (ADCRESULTx, x=0:15).....	337
Figure 8-27. ADC Averaged Result Registers 0-5 (ADCAVGRESULTx, x=0:5).....	338
Figure 8-28. ADC Digital Compare Limits Register 0-5 (ADCCOMPLIMx, x=0:5).....	339
Figure 8-29. ADC Digital Compare Enable Register (ADCCOMPEN).....	340
Figure 8-30. ADC Digital Compare Results Register (ADCCOMPRESULT).....	343
Figure 8-31. ADC Averaging Control Register (ADCAVGCTRL).....	346
Figure 9-1.	350
Figure 9-2. Package ID Register (PKGID).....	352
Figure 9-3. Brownout Register (BROWNOUT).....	353
Figure 9-4. Temp Sensor Control Register (TEMPSENCTRL).....	354
Figure 9-5. I/O Mux Control Register (IOMUX).....	355
Figure 9-6. Current Sharing Control Register (CSCTRL).....	357
Figure 9-7. Temperature Reference Register (TEMPREF).....	358
Figure 9-8. Power Disable Control Register (PWRDISCTRL).....	359
Figure 9-9. Global I/O EN Register (GBIOEN).....	364
Figure 9-10. Global I/O OE Register (GLBIOOE).....	365
Figure 9-11. Global I/O Open Drain Control Register (GLBIOOD).....	366
Figure 9-12. Global I/O Value Register (GLBIOVAL).....	367
Figure 9-13. Global I/O Read Register (GLBIOREAD).....	368
Figure 9-14. Clock Trim Register (CLKTRIM) (For Factory Test Use Only, Except HFO_LN_FILTER_EN).....	369
Figure 10-1.	373
Figure 10-2. Command with PEC.....	374
Figure 10-3. Write Command and Byte - No PEC.....	375
Figure 10-4. Write Command and Byte - with PEC.....	375
Figure 10-5. Write 2 Bytes with no PEC.....	375
Figure 10-6. Timing Diagram.....	376
Figure 10-7. Write 4 Bytes + Command.....	377
Figure 10-8. Slave Address Manual ACK for Write.....	378
Figure 10-9. Manual ACK Command.....	379
Figure 10-10. Simple Read with Full Automation.....	380
Figure 10-11. Simple Read of 4 Bytes with Full Automation.....	381
Figure 10-12. Simple Read of 5 Bytes with Full Automation.....	381
Figure 10-13. Slave Address Manual ACK on a Read Address.....	382
Figure 10-14. Write/Read with Repeated Start.....	383
Figure 10-15. Clock Stretch Timing for Read.....	385
Figure 10-16. Alert Response.....	386
Figure 10-17. Address Byte Timing.....	387
Figure 10-18. Repeated Start Timing.....	387
Figure 10-19. Read Byte Timing.....	388
Figure 10-20. Write Byte Timing.....	388
Figure 10-21. Write Byte Stop Timing.....	388
Figure 10-22. Quick Command Format.....	391
Figure 10-23. Send Byte w/o PEC Byte.....	391
Figure 10-24. Send Byte with PEC Byte.....	391
Figure 10-25. Receive Byte w/o PEC Byte.....	391
Figure 10-26. Receive Byte with PEC Byte.....	391
Figure 10-27. Write Byte w/o PEC Byte.....	392
Figure 10-28. Write Byte with PEC Byte.....	392
Figure 10-29. Write Word w/o PEC Byte.....	392
Figure 10-30. Write Word with PEC Byte.....	392
Figure 10-31. Read Byte w/o PEC Byte.....	393

Figure 10-32. Read Byte with PEC Byte.....	393
Figure 10-33. Read Word w/o PEC Byte.....	393
Figure 10-34. Read Word with PEC Byte.....	393
Figure 10-35. Process Call w/o PEC Byte.....	394
Figure 10-36. Process Call with PEC Byte.....	394
Figure 10-37. Block Write w/o PEC Byte.....	395
Figure 10-38. Block Write with PEC Byte.....	395
Figure 10-39. Block Read w/o PEC Byte.....	396
Figure 10-40. Block Read with PEC Byte.....	396
Figure 10-41. Block Write-Block Read Process Call w/o PEC Byte.....	397
Figure 10-42. Block Write-Block Read Process Call with PEC Byte.....	397
Figure 10-43. Alert Response.....	397
Figure 10-44. Extended Command Write Byte w/o PEC Byte.....	398
Figure 10-45. Extended Command Write Byte with PEC Byte.....	398
Figure 10-46. Extended Command Write Word w/o PEC Byte.....	398
Figure 10-47. Extended Command Write Word with PEC Byte.....	398
Figure 10-48. Extended Command Read Byte w/o PEC Byte.....	398
Figure 10-49. Extended Command Read Byte with PEC Byte.....	398
Figure 10-50. Extended Command Read Word w/o PEC Byte.....	398
Figure 10-51. Extended Command Read Word with PEC Byte.....	398
Figure 10-52.....	399
Figure 10-53. PMBUS Control Register 1 (PMBCTRL1).....	401
Figure 10-54. PMBus Transmit Data Buffer (PMBTXBUF).....	402
Figure 10-55. PMBus Receive Data Register (PMBRXBUF).....	403
Figure 10-56. PMBus Acknowledge Register (PMBACK).....	404
Figure 10-57. PMBus Status Register (PMBST).....	405
Figure 10-58. PMBus Interrupt Mask Register (PMBINTM).....	407
Figure 10-59. PMBus Control Register 2 (PMBCTRL2).....	408
Figure 10-60. PMBus Hold Slave Address Register (PMBHSA).....	410
Figure 10-61. PMBus Control Register 3 (PMBCTRL3).....	411
Figure 11-1.....	415
Figure 11-2.....	418
Figure 11-3.....	421
Figure 11-4. 24-bit Counter Data Register (T24CNTDAT).....	423
Figure 11-5. 24-bit Counter Control Register (T24CNTCTRL).....	424
Figure 11-6. 24-bit Capture Channel Data Register (T24CAPDAT).....	425
Figure 11-7. 24-bit Capture Channel Control Register (T24CAPCTRL).....	426
Figure 11-8. 24-bit Capture I/O Control and Data Register (T24CAPIO).....	427
Figure 11-9. 24-bit Output Compare Channel 0 Data Register (T24CMPDAT0).....	428
Figure 11-10. 24-bit Output Compare Channel 1 Data Register (T24CMPDAT1).....	429
Figure 11-11. 24-bit Output Compare Channel 0 Control Register (T24CMPCTRL0).....	430
Figure 11-12. 24-bit Output Compare Channel 1 Control Register (T24CMPCTRL1).....	431
Figure 11-13. PWMx Counter Data Register (T16PWMxCNTDAT).....	432
Figure 11-14. PWMx Counter Control Register (T16PWMxCNTCTRL).....	433
Figure 11-15. PWMx 16-bit Compare Channel 0-1 Data Register (T16PWMxCMPyDAT).....	434
Figure 11-16. PWMx Compare Control Register (T16PWMxCMPCTRL).....	435
Figure 11-17. Watchdog Status (WDST).....	437
Figure 11-18. Watchdog Control (WDCTRL).....	438
Figure 12-1.....	440
Figure 12-2.....	442
Figure 12-3. UART Control Register 0 (UARTCTRL0).....	445
Figure 12-4. UART Receive Status Register (UARTRXST).....	446
Figure 12-5. UART Transmit Status Register (UARTTXST).....	447
Figure 12-6. UART Control Register 3 (UARTCTRL3).....	448
Figure 12-7. UART Interrupt Status Register (UARTINTST).....	449
Figure 12-8. UART Baud Divisor High Byte Register (UARTHBAUD).....	450
Figure 12-9. UART Baud Divisor Middle Byte Register (UARTMBAUD).....	451
Figure 12-10. UART Baud Divisor Low Byte Register (UARTLBAUD).....	452
Figure 12-11. UART Receive Buffer (UARTRXBUF).....	453
Figure 12-12. UART Transmit Buffer (UARTTXBUF).....	454
Figure 12-13. UART I/O Control Register (UARTIOCTRLSCLK, UARTIOCTRLRX, UARTIOCTRLTX).....	455

Figure 13-1. UCD3138 Boot ROM Execution After Power-On/Reset.....	457
Figure 13-2. Boot Flash.....	458
Figure 13-3. UCD3138064 Boot ROM Execution After Power-on/Reset.....	467
Figure 13-4. UCD3138A64 Boot ROM Execution After Power-on/Reset.....	469
Figure 13-5. UCD3138128 Boot ROM Execution After Power-on/Reset.....	470
Figure 14-1.....	481
Figure 14-2.....	482
Figure 14-3.....	483
Figure 15-1. Static Memory Control Register (SMCTRL).....	487
Figure 15-2. Write Control Register (WCTRL).....	489
Figure 15-3. Peripheral Control Register (PCTRL).....	490
Figure 15-4. Peripheral Location Register (PLOC).....	491
Figure 15-5. Peripheral Protection Register (PPROT).....	492
Figure 15-6. Memory Fine Base Address High Register 0 (MFBHR0).....	494
Figure 15-7. Memory Fine Base Address Low Register 0 (MFBALR0).....	495
Figure 15-8. Memory Fine Base Address High Register 1-3,17-19 (MFBHRx).....	496
Figure 15-9. Memory Fine Base Address Low Register 1-3, 17-19 (MFBALRx).....	497
Figure 15-10. Memory Fine Base Address High Register 4 (MFBHR4).....	499
Figure 15-11. Memory Fine Base Address Low Register 4-16 (MFBALRx).....	500
Figure 15-12. Memory Fine Base Address High Register 5 (MFBHR5).....	501
Figure 15-13. Memory Fine Base Address High Register 6 (MFBHR6).....	502
Figure 15-14. Memory Fine Base Address High Register 7 (MFBHR7).....	503
Figure 15-15. Memory Fine Base Address High Register 8 (MFBHR8).....	504
Figure 15-16. Memory Fine Base Address High Register 9 (MFBHR9).....	505
Figure 15-17. Memory Fine Base Address High Register 10 (MFBHR10).....	506
Figure 15-18. Memory Fine Base Address High Register 11 (MFBHR11).....	507
Figure 15-19. Memory Fine Base Address High Register 12 (MFBHR12).....	508
Figure 15-20. Memory Fine Base Address High Register 13 (MFBHR13).....	509
Figure 15-21. Memory Fine Base Address High Register 14 (MFBHR14).....	510
Figure 15-22. Memory Fine Base Address High Register 15 (MFBHR15).....	511
Figure 15-23. Memory Fine Base Address High Register 16 (MFBHR16).....	512
Figure 15-24. Program Flash Control Register (PFLASHCTRL).....	513
Figure 15-25. Data Flash Control Register (DFLASHCTRL).....	514
Figure 15-26. Flash Interlock Register (FLASHLOCK).....	515
Figure 16-1.....	518
Figure 16-2. Base Address.....	519
Figure 16-3.....	525
Figure 16-4. Clock Control Register (CLKCNTL).....	528
Figure 16-5. System Exception Control Register (SYSECR).....	530
Figure 16-6. System Exception Status Register (SYSESR).....	531
Figure 16-7. Abort Exception Status Register (ABRTESR).....	534
Figure 16-8. Global Status Register (GLBSTAT).....	535
Figure 16-9. Device Identification Register (DEV).....	536
Figure 16-10. System Software Interrupt Flag Register (SSIF).....	537
Figure 16-11. System Software Interrupt Request Register (SSIR).....	538
Figure 18-1. IRQ Index Offset Vector Register (IRQIVC).....	547
Figure 18-2. FIQ Index Offset Vector Register (FIQIVC).....	548
Figure 18-3. FIQ/IRQ Program Control Register (FIRQPR).....	549
Figure 18-4. Pending Interrupt Read Location Register (INTREQ).....	550
Figure 18-5. Interrupt Mask Register (REQMASK).....	551

List of Tables

Table 2-1. DPWM Register Time Resolutions in UCD3138.....	45
Table 2-2. DPWM Period Register (DPWMPRD).....	46
All other 4 ns registers with standard alignment are the same.....	46
Table 2-3. DPWM Sample Trigger 1 Register (DPWMSAMPTRIG1).....	46
Table 2-4. DPWM Event Register (DPWMEV2).....	46
Event 3 and 4 are the same, Cycle Adjust registers only go to bit 15.....	46
Table 2-5. Truth Table.....	49
Table 2-6. DPWM Control Register 0 (DPWMCTRL0) Register Field Descriptions.....	61

Table 2-7. DPWM Control Register 1 (DPWMCTRL1) Register Field Descriptions.....	64
Table 2-8. DPWM Control Register 2 (DPWMCTRL2) Register Field Descriptions.....	67
Table 2-9. DPWM Period Register (DPWMPRD) Register Field Descriptions.....	69
Table 2-10. DPWM Event 1 Register (DPWMEV1) Register Field Descriptions.....	70
Table 2-11. DPWM Event 2 Register (DPWMEV2) Register Field Descriptions.....	71
Table 2-12. DPWM Event 3 Register (DPWMEV3) Register Field Descriptions.....	72
Table 2-13. DPWM Event 4 Register (DPWMEV4) Register Field Descriptions.....	73
Table 2-14. DPWM Sample Trigger 1 Register (DPWMSAMPTRIG1) Register Field Descriptions.....	74
Table 2-15. DPWM Sample Trigger 2 Register (DPWMSAMPTRIG2) Register Field Descriptions.....	75
Table 2-16. DPWM Phase Trigger Register (DPWMPHASETRIG) Register Field Descriptions.....	76
Table 2-17. DPWM Cycle Adjust A Register (DPWMCYCADJA) Register Field Descriptions.....	77
Table 2-18. DPWM Cycle Adjust B Register (DPWMCYCADJB) Register Field Descriptions.....	78
Table 2-19. DPWM Resonant Duty Register (DPWMRESDUTY) Register Field Descriptions.....	79
Table 2-20. DPWM Fault Control Register (DPWMFLTCTRL) Register Field Descriptions.....	80
Table 2-21. DPWM Overflow Register (DPWMOVERFLOW) Register Field Descriptions.....	81
Table 2-22. DPWM Interrupt Register (DPWMINT) Register Field Descriptions.....	83
Table 2-23. DPWM Counter Preset Register (DPWMCNTPRE) Register Field Descriptions.....	85
Table 2-24. DPWM Blanking A Begin Register (DPWMBLKABEG) Register Field Descriptions.....	86
Table 2-25. DPWM Blanking A End Register (DPWMBLKAEND) Register Field Descriptions.....	87
Table 2-26. DPWM Blanking B Begin Register (DPWMBLKBEG) Register Field Descriptions.....	88
Table 2-27. DPWM Blanking B End Register (DPWMBLKBEND) Register Field Descriptions.....	89
Table 2-28. DPWM Minimum Duty Cycle High Register (DPWMMINDUTYHI) Register Field Descriptions.....	90
Table 2-29. DPWM Minimum Duty Cycle Low Register (DPWMMINDUTYLO) Register Field Descriptions.....	91
Table 2-30. DPWM Adaptive Sample Register (DPWMADAPTIVE) Register Field Descriptions.....	92
Table 2-31. DPWM Fault Status (DPWMFLTSTAT) Register Field Descriptions.....	93
Table 2-32. DPWM Auto Switch High Upper Thresh Register (DPWMAUTOSWHIUPHRESH) Register Field Descriptions.....	94
Table 2-33. DPWM Auto Switch High Lower Thresh Register (DPWMAUTOSWHILOWHRESH) Register Field Descriptions.....	95
Table 2-34. DPWM Auto Switch Low Upper Thresh Register (DPWMAUTOSWLOUPHRESH) Register Field Descriptions.....	96
Table 2-35. DPWM Auto Switch Low Lower Thresh Register (DPWMAUTOSWLOLOWHRESH) Register Field Descriptions.....	97
Table 2-36. DPWM Auto Config Max Register (DPWMAUTOMAX) Register Field Descriptions.....	98
Table 2-37. DPWM Auto Config Mid Register (DPWMAUTOMID) Register Field Descriptions.....	101
Table 2-38. DPWM Edge PWM Generation Control Register (DPWMEDGEGEN) Register Field Descriptions.....	104
Table 2-39. DPWM Filter Duty Read Register (DPWMFILTERDUTYREAD) Register Field Descriptions.....	106
Table 2-40. DPWM BIST Status Register (DPWMBISTSTAT) Register Field Descriptions.....	107
Table 3-1. Ramp Control Register (RAMPCTRL) Register Field Descriptions.....	124
Table 3-2. Ramp Status Register (RAMPSTAT) Register Field Descriptions.....	126
Table 3-3. Ramp Cycle Register (RAMPCYCLE) Register Field Descriptions.....	128
Table 3-4. EADC DAC Value Register (EADC DAC) Register Field Descriptions.....	129
Table 3-5. Ramp DAC Ending Value Register (RAMPDACEND) Register Field Descriptions.....	130
Table 3-6. DAC Step Register (DACSTEP) Register Field Descriptions.....	131
Table 3-7. DAC Saturation Step Register (DACSATSTEP) Register Field Descriptions.....	132
Table 3-8. EADC Trim Register (EADCTRIM) Register Field Descriptions.....	133
Table 3-9. EADC Control Register (EADCCTRL) Register Field Descriptions.....	134
Table 3-10. Analog Control Register (ACTRL) Register Field Descriptions.....	137
Table 3-11. Pre-Bias Control Register 0 (PREBIASCTRL0) Register Field Descriptions.....	138
Table 3-12. Pre-Bias Control Register 1 (PREBIASCTRL1) Register Field Descriptions.....	139
Table 3-13. SAR Control Register (SARCTRL) Register Field Descriptions.....	140
Table 3-14. SAR Timing Register (SARTIMING) Register Field Descriptions.....	141
Table 3-15. EADC Value Register (EADCVALUE) Register Field Descriptions.....	142
Table 3-16. EADC Raw Value Register (EADCRAWVALUE) Register Field Descriptions.....	143
Table 3-17. DAC Status Register (DACSTAT) Register Field Descriptions.....	144
Table 4-1. Filter Status Register (FILTERSTATUS) Register Field Descriptions.....	159
Table 4-2. Filter Control Register (FILTERCTRL) Register Field Descriptions.....	160
Table 4-3. CPU XN Register (CPUXN) Register Field Descriptions.....	162
Table 4-4. Filter XN Read Register (FILTERXNREAD) Register Field Descriptions.....	163
Table 4-5. Filter KI_YN Read Register (FILTERKIYNREAD) Register Field Descriptions.....	164
Table 4-6. Filter KD_YN Read Register (FILTERKDYNREAD) Register Field Descriptions.....	165

Table 4-7. 9.7 Filter YN Read Register (FILTERYNREAD) Register Field Descriptions.....	166
Table 4-8. Coefficient Configuration Register (COEFCONFIG) Register Field Descriptions.....	167
Table 4-9. Filter KP Coefficient 0 Register (FILTERKPCOE0) Register Field Descriptions.....	170
Table 4-10. Filter KP Coefficient 1 Register (FILTERKPCOE1) Register Field Descriptions.....	171
Table 4-11. Filter KI Coefficient 0 Register (FILTERKICOEF0) Register Field Descriptions.....	172
Table 4-12. Filter KI Coefficient 1 Register (FILTERKICOEF1) Register Field Descriptions.....	173
Table 4-13. Filter KD Coefficient 0 Register (FILTERKDCOEF0) Register Field Descriptions.....	174
Table 4-14. Filter KD Coefficient 1 Register (FILTERKDCOEF1) Register Field Descriptions.....	175
Table 4-15. Filter KD Alpha Register (FILTERKDALPHA) Register Field Descriptions.....	176
Table 4-16. Filter Nonlinear Limit Register 0 (FILTERNL0) Register Field Descriptions.....	177
Table 4-17. Filter Nonlinear Limit Register 1 (FILTERNL1) Register Field Descriptions.....	178
Table 4-18. Filter Nonlinear Limit Register 2 (FILTERNL2) Register Field Descriptions.....	179
Table 4-19. Filter KI Feedback Clamp High Register (FILTERKICLPHI) Register Field Descriptions.....	180
Table 4-20. Filter KI Feedback Clamp Low Register (FILTERKICLPLO) Register Field Descriptions.....	181
Table 4-21. Filter YN Clamp High Register (FILTERYNCLPHI) Register Field Descriptions.....	182
Table 4-22. Filter YN Clamp Low Register (FILTERYNCLPLO) Register Field Descriptions.....	183
Table 4-23. Filter Output Clamp High Register (FILTEROCLPHI) Register Field Descriptions.....	184
Table 4-24. Filter Output Clamp Low Register (FILTEROCLPLO) Register Field Descriptions.....	185
Table 4-25. Filter Preset Register (FILTERPRESET) Register Field Descriptions.....	186
Table 5-1. Front End Control 0 Mux Register (FECTRL0MUX) Register Field Descriptions.....	193
Table 5-2. Front End Control 1 Mux Register (FECTRL1MUX) Register Field Descriptions.....	195
Table 5-3. Front End Control 2 Mux Register (FECTRL2MUX) Register Field Descriptions.....	197
Table 5-4. Sample Trigger Control Register (SAMPTRIGCTRL) Register Field Descriptions.....	199
Table 5-5. External DAC Control Register (EXTDACCTRL) Register Field Descriptions.....	201
Table 5-6. Filter Mux Register (FILTERMUX) Register Field Descriptions.....	203
Table 5-7. Filter KComp A Register (FILTERKCOMPA) Register Field Descriptions.....	205
Table 5-8. Filter KComp B Register (FILTERKCOMPB) Register Field Descriptions.....	206
Table 5-9. DPWM Mux Register (DPWMMUX) Register Field Descriptions.....	207
Table 5-10. Constant Power Control Register (CPCTRL) Register Field Descriptions.....	209
Table 5-11. Constant Power Nominal Threshold Register (CPNOM) Register Field Descriptions.....	211
Table 5-12. Constant Power Max Threshold Register (CPMAX) Register Field Descriptions.....	212
Table 5-13. Constant Power Configuration Register (CPCONFIG) Register Field Descriptions.....	213
Table 5-14. Constant Power Max Power Register (CPMAXPWR) Register Field Descriptions.....	214
Table 5-15. Constant Power Integrator Threshold Register (CPINTTHRESH) Register Field Descriptions.....	215
Table 5-16. Constant Power Firmware Divisor Register (CPFWDIVISOR) Register Field Descriptions.....	216
Table 5-17. Constant Power Status Register (CPSTAT) Register Field Descriptions.....	217
Table 5-18. Cycle Adjustment Control Register (CYCADJCTRL) Register Field Descriptions.....	218
Table 5-19. Cycle Adjustment Limit Register (CYCADJLIM) Register Field Descriptions.....	219
Table 5-20. Cycle Adjustment Status Register (CYCADJSTAT) Register Field Descriptions.....	220
Table 5-21. Global Enable Register (GLBEN) Register Field Descriptions.....	221
Table 5-22. PWM Global Period Register (PWMGLBPRD) Register Field Descriptions.....	222
Table 5-23. Sync Control Register (SYNCCTRL) Register Field Descriptions.....	223
Table 5-24. Light Load Control Register (LLCTRL) Register Field Descriptions.....	224
Table 5-25. Light Load Enable Threshold Register (LLENTHRESH) Register Field Descriptions.....	225
Table 5-26. Light Load Disable Threshold Register (LLDISTHRESH) Register Field Descriptions.....	226
Table 5-27. Peak Current Mode Control Register (PCMCTRL) Register Field Descriptions.....	227
Table 5-28. Analog Peak Current Mode Control Register (APCMCTRL) Register Field Descriptions.....	228
Table 5-29. Loop Mux Test Register (LOOPMUXTEST) (Test Use Only) Register Field Descriptions.....	229
Table 6-1. Analog Comparator Control 0 Register (ACOMPCTRL0) Register Field Descriptions.....	241
Table 6-2. Analog Comparator Control 1 Register (ACOMPCTRL1) Register Field Descriptions.....	243
Table 6-3. Analog Comparator Control 2 Register (ACOMPCTRL2) Register Field Descriptions.....	245
Table 6-4. Analog Comparator Control 3 Register (ACOMPCTRL3) Register Field Descriptions.....	247
Table 6-5. External Fault Control Register (EXTFAULTCTRL) Register Field Descriptions.....	248
Table 6-6. Fault Mux Interrupt Status Register (FAULTMUXINTSTAT) Register Field Descriptions.....	250
Table 6-7. Fault Mux Raw Status Register (FAULTMUXRAWSTAT) Register Field Descriptions.....	252
Table 6-8. Comparator Ramp Control 0 Register (COMPRAMP0) Register Field Descriptions.....	254
Table 6-9. Digital Comparator Control 0 Register (DCOMPCTRL0) Register Field Descriptions.....	256
Table 6-10. Digital Comparator Control 1 Register (DCOMPCTRL1) Register Field Descriptions.....	257
Table 6-11. Digital Comparator Control 2 Register (DCOMPCTRL2) Register Field Descriptions.....	258
Table 6-12. Digital Comparator Control 3 Register (DCOMPCTRL3) Register Field Descriptions.....	259
Table 6-13. Digital Comparator Counter Status Register (DCOMP CNTSTAT) Register Field Descriptions.....	260

Table 6-14. DPWM 0 Current Limit Control Register (DPWM0CLIM) Register Field Descriptions.....	261
Table 6-15. DPWM 0 Fault AB Detection Register (DPWM0FLTABDET) Register Field Descriptions.....	263
Table 6-16. DPWM 0 Fault Detection Register (DPWM0FAULTDET) Register Field Descriptions.....	264
Table 6-17. DPWM 1 Current Limit Control Register (DPWM1CLIM) Register Field Descriptions.....	267
Table 6-18. DPWM 1 Fault AB Detection Register (DPWM1FLTABDET) Register Field Descriptions.....	269
Table 6-19. DPWM 1 Fault Detection Register (DPWM1FAULTDET) Register Field Descriptions.....	271
Table 6-20. DPWM 2 Current Limit Control Register (DPWM2CLIM) Register Field Descriptions.....	274
Table 6-21. DPWM 2 Fault AB Detection Register (DPWM2FLTABDET) Register Field Descriptions.....	276
Table 6-22. DPWM 2 Fault Detection Register (DPWM2FAULTDET) Register Field Descriptions.....	278
Table 6-23. DPWM 3 Current Limit Control Register (DPWM3CLIM) Register Field Descriptions.....	281
Table 6-24. DPWM 3 Fault AB Detection Register (DPWM3FLTABDET) Register Field Descriptions.....	283
Table 6-25. DPWM 3 Fault Detection Register (DPWM3FAULTDET) Register Field Descriptions.....	285
Table 6-26. HFO Fail Detect Register (HFOFAILDET) Register Field Descriptions.....	288
Table 6-27. LFO Fail Detect Register (LFOFAILDET) Register Field Descriptions.....	289
Table 6-28. IDE Control Register (IDCTRL) Register Field Descriptions.....	290
Table 7-1. Fault IO Direction Register (FAULTDIR) Register Field Descriptions.....	292
Table 7-2. Fault Input Register (FAULTIN) Register Field Descriptions.....	293
Table 7-3. Fault Output Register (FAULTOUT) Register Field Descriptions.....	294
Table 7-4. Fault Interrupt Enable Register (FAULTINTENA) Register Field Descriptions.....	295
Table 7-5. Fault Interrupt Polarity Register (FAULTINTPOL) Register Field Descriptions.....	296
Table 7-6. Fault Interrupt Pending Register (FAULTINTPEND) Register Field Descriptions.....	297
Table 7-7. External Interrupt Direction Register (EXTINTDIR) Register Field Descriptions.....	298
Table 7-8. External Interrupt Input Register (EXTINTIN) Register Field Descriptions.....	299
Table 7-9. External Interrupt Output Register (EXTINTOUT) Register Field Descriptions.....	300
Table 7-10. External Interrupt Enable Register (EXTINTENA) Register Field Descriptions.....	301
Table 7-11. External Interrupt Polarity Register (EXTINTPOL) Register Field Descriptions.....	302
Table 7-12. External Interrupt Pending Register (EXTINTPEND) Register Field Descriptions.....	303
Table 8-1. Temp Sensor Control Register (TEMPSENCTRL) Register Field Descriptions.....	314
Table 8-2. PMBus Control Register 3 (PMBCTRL3) Register Field Descriptions.....	315
Table 8-3. Selection of “Dual Sample and Hold” Channel.....	316
Table 8-4. ADC Control Register (ADCCTRL) Register Field Descriptions.....	317
Table 8-5. ADC Control Register (ADCCTRL) Register Field Descriptions.....	324
Table 8-6. ADC Status Register (ADCSTAT) Register Field Descriptions.....	327
Table 8-7. ADC Test Control Register (ADCTSTCTRL) Register Field Descriptions.....	328
Table 8-8. ADC Sequence Select Register 0 (ADCSEQSEL0) Register Field Descriptions.....	329
Table 8-9. ADC Sequence Select Register 1 (ADCSEQSEL1) Register Field Descriptions.....	331
Table 8-10. ADC Sequence Select Register 2 (ADCSEQSEL2) Register Field Descriptions.....	333
Table 8-11. ADC Sequence Select Register 3 (ADCSEQSEL3) Register Field Descriptions.....	335
Table 8-12. ADC Result Registers 0-15 (ADCRESULTx, x=0:15) Register Field Descriptions.....	337
Table 8-13. ADC Averaged Result Registers 0-5 (ADCAVGRESULTx, x=0:5) Register Field Descriptions.....	338
Table 8-14. ADC Digital Compare Limits Register 0-5 (ADCCOMPLIMx, x=0:5) Register Field Descriptions.....	339
Table 8-15. ADC Digital Compare Enable Register (ADCCOMPEN) Register Field Descriptions.....	340
Table 8-16. ADC Digital Compare Results Register (ADCCOMPRESULT) Register Field Descriptions.....	343
Table 8-17. ADC Averaging Control Register (ADCAVGCTRL) Register Field Descriptions.....	346
Table 9-1. Tolerance.....	350
Table 9-2. Package ID Register (PKGID) Register Field Descriptions.....	352
Table 9-3. Brownout Register (BROWNOUT) Register Field Descriptions.....	353
Table 9-4. Temp Sensor Control Register (TEMPSENCTRL) Register Field Descriptions.....	354
Table 9-5. Bits 9-8: EXT_TRIG_MUX_SEL – EXT_TRIG Pin Mux Select.....	355
Table 9-6. Bits 7-6: JTAG_CLK_MUX_SEL – TCK Pin Mux Select.....	355
Table 9-7. Bits 5-4: JTAG_DATA_MUX_SEL – TDO/TDI Pin Mux Select.....	355
Table 9-8. Bits 3-2: SYNC_MUX_SEL – SYNC Pin Mux Select.....	355
Table 9-9. Bit 1: UART_MUX_SEL – SCL/SDA Pins Mux Select.....	355
Table 9-10. Bit 0: PMBUS_MUX_SEL – SCL/SDA Pins Mux Select.....	355
Table 9-11. I/O Mux Control Register (IOMUX) Register Field Descriptions.....	355
Table 9-12. Current Sharing Control Register (CSCTRL) Register Field Descriptions.....	357
Table 9-13. Temperature Reference Register (TEMPREF) Register Field Descriptions.....	358
Table 9-14. Power Disable Control Register (PWRDISCTRL) Register Field Descriptions.....	359
Table 9-15. ADC Control Register (ADCCTRL) Register Field Descriptions.....	364
Table 9-16. Global I/O OE Register (GLBIOOE) Register Field Descriptions.....	365
Table 9-17. Global I/O Open Drain Control Register (GLBLOOD) Register Field Descriptions.....	366

Table 9-18. Global I/O Value Register (GLBIOVAL) Register Field Descriptions.....	367
Table 9-19. Global I/O Read Register (GLBIOREAD) Register Field Descriptions.....	368
Table 9-20. Clock Trim Register (CLKTRIM) (For Factory Test Use Only, Except HFO_LN_FILTER_EN) Register Field Descriptions.....	369
Table 10-1. Timing Parameters from Timing Diagrams.....	389
Table 10-2. Simple Timing Parameters (No Timing Diagram).....	389
Table 10-3. PMBUS Control Register 1 (PMBCTRL1) Register Field Descriptions.....	401
Table 10-4. PMBus Transmit Data Buffer (PMBTXBUF) Register Field Descriptions.....	402
Table 10-5. PMBus Receive Data Register (PMBRXBUF) Register Field Descriptions.....	403
Table 10-6. PMBus Acknowledge Register (PMBACK) Register Field Descriptions.....	404
Table 10-7. PMBus Status Register (PMBST) Register Field Descriptions.....	405
Table 10-8. PMBus Interrupt Mask Register (PMBINTM) Register Field Descriptions.....	407
Table 10-9. PMBus Control Register 2 (PMBCTRL2) Register Field Descriptions.....	408
Table 10-10. PMBus Hold Slave Address Register (PMBHSA) Register Field Descriptions.....	410
Table 10-11. PMBus Control Register 3 (PMBCTRL3) Register Field Descriptions.....	411
Table 11-1. 24-bit Counter Data Register (T24CNTDAT) Register Field Descriptions.....	423
Table 11-2. 24-bit Counter Control Register (T24CNTCTRL) Register Field Descriptions.....	424
Table 11-3. 24-bit Capture Channel Data Register (T24CAPDAT) Register Field Descriptions.....	425
Table 11-4. 24-bit Capture Channel Control Register (T24CAPCTRL) Register Field Descriptions.....	426
Table 11-5. 24-bit Capture I/O Control and Data Register (T24CAPIO) Register Field Descriptions.....	427
Table 11-6. 24-bit Output Compare Channel 0 Data Register (T24CMPDAT0) Register Field Descriptions.....	428
Table 11-7. 24-bit Output Compare Channel 1 Data Register (T24CMPDAT1) Register Field Descriptions.....	429
Table 11-8. 24-bit Output Compare Channel 0 Control Register (T24CMPCTRL0) Register Field Descriptions.....	430
Table 11-9. 24-bit Output Compare Channel 1 Control Register (T24CMPCTRL1) Register Field Descriptions.....	431
Table 11-10. PWMx Counter Data Register (T16PWMxCNTDAT) Register Field Descriptions.....	432
Table 11-11. PWMx Counter Control Register (T16PWMxCNTCTRL) Register Field Descriptions.....	433
Table 11-12. PWMx 16-bit Compare Channel 0-1 Data Register (T16PWMxCMPyDAT) Register Field Descriptions.....	434
Table 11-13. PWMx Compare Control Register (T16PWMxCMPCTRL) Register Field Descriptions.....	435
Table 11-14. Watchdog Status (WDST) Register Field Descriptions.....	437
Table 11-15. Watchdog Control (WDCTRL) Register Field Descriptions.....	438
Table 12-1. UART Control Register 0 (UARTCTRL0) Register Field Descriptions.....	445
Table 12-2. UART Receive Status Register (UARTRXST) Register Field Descriptions.....	446
Table 12-3. UART Transmit Status Register (UARTTXST) Register Field Descriptions.....	447
Table 12-4. UART Control Register 3 (UARTCTRL3) Register Field Descriptions.....	448
Table 12-5. UART Interrupt Status Register (UARTINTST) Register Field Descriptions.....	449
Table 12-6. UART Baud Divisor High Byte Register (UARTHBAUD) Register Field Descriptions.....	450
Table 12-7. UART Baud Divisor Middle Byte Register (UARTMBAUD) Register Field Descriptions.....	451
Table 12-8. UART Baud Divisor Low Byte Register (UARTLBAUD) Register Field Descriptions.....	452
Table 12-9. UART Receive Buffer (UARTRXBUF) Register Field Descriptions.....	453
Table 12-10. UART Transmit Buffer (UARTTXBUF) Register Field Descriptions.....	454
Table 12-11. UART I/O Control Register (UARTIOCTRLSCLK, UARTIOCTRLRX, UARTIOCTRLTX) Register Field Descriptions.....	455
Table 13-1. ROM Version for the Other Members of the UCD3138 Family.....	461
Table 13-2. Boot ROM Mass Erase Data Byte Parameter Values ⁽¹⁾	464
Table 13-3. Boot ROM Execute Flash Command Byte, Valid Values ⁽¹⁾	465
Table 13-4. Checksums Used By UCD3138064 Boot ROM Program.....	467
Table 13-5. Checksums Used by UCD3138A64 Boot ROM Program.....	468
Table 13-6. Checksums Used by UCD3138128 Boot ROM Program.....	469
Table 14-1. ARM Processor Operating Modes.....	472
Table 14-2. General-Purpose Registers and Program Counter.....	472
Table 14-3. Current Program Status Register.....	473
Table 14-4. Bit Patterns in Different ARM Processor Operating Modes.....	473
Table 14-5. ARM Processor Exceptions.....	474
Table 15-1. ROM and Program Flash Memory Map (ROM Operation).....	484
Table 15-2. Memory Map (Flash Operation).....	485
Table 15-3. RAM and Data Flash Memory Map (ROM and Flash Operation).....	485
Table 15-4. Memory Map (System and Peripherals Blocks).....	485
Table 15-5. Static Memory Control Register (SMCTRL) Register Field Descriptions.....	487
Table 15-6. Write Control Register (WCTRL) Register Field Descriptions.....	489
Table 15-7. Peripheral Control Register (PCTRL) Register Field Descriptions.....	490
Table 15-8. Peripheral Location Register (PLOC) Register Field Descriptions.....	491

Table 15-9. Peripheral Protection Register (PPROT) Register Field Descriptions.....	492
Table 15-10. Memory Fine Base Address High Register 0 (MFBHR0) Register Field Descriptions.....	494
Table 15-11. Memory Fine Base Address Low Register 0 (MFBALR0) Register Field Descriptions.....	495
Table 15-12. Memory Fine Base Address High Register 1-3, 17-19 (MFBHRx) Register Field Descriptions.....	496
Table 15-13. Memory Fine Base Address Low Register 1-3, 17-19 (MFBALRx) Register Field Descriptions.....	498
Table 15-14. Memory Fine Base Address High Register 4 (MFBHR4) Register Field Descriptions.....	499
Table 15-15. Memory Fine Base Address Low Register 4-17 (MFBALRx) Register Field Descriptions.....	500
Table 15-16. Memory Fine Base Address High Register 5 (MFBHR5) Register Field Descriptions.....	501
Table 15-17. Memory Fine Base Address High Register 6 (MFBHR6) Register Field Descriptions.....	502
Table 15-18. Memory Fine Base Address High Register 7 (MFBHR7) Register Field Descriptions.....	503
Table 15-19. Memory Fine Base Address High Register 8 (MFBHR8) Register Field Descriptions.....	504
Table 15-20. Memory Fine Base Address High Register 9 (MFBHR9) Register Field Descriptions.....	505
Table 15-21. Memory Fine Base Address High Register 10 (MFBHR10) Register Field Descriptions.....	506
Table 15-22. Memory Fine Base Address High Register 11 (MFBHR11) Register Field Descriptions.....	507
Table 15-23. Memory Fine Base Address High Register 12 (MFBHR12) Register Field Descriptions.....	508
Table 15-24. Memory Fine Base Address High Register 13 (MFBHR13) Register Field Descriptions.....	509
Table 15-25. Memory Fine Base Address High Register 14 (MFBHR14) Register Field Descriptions.....	510
Table 15-26. Memory Fine Base Address High Register 15 (MFBHR15) Register Field Descriptions.....	511
Table 15-27. Memory Fine Base Address High Register 16 (MFBHR16) Register Field Descriptions.....	512
Table 15-28. PFLASHCTRL Addresses.....	513
Table 15-29. Program Flash Control Register (PFLASHCTRL) Register Field Descriptions.....	513
Table 15-30. Data Flash Control Register (DFLASHCTRL) Register Field Descriptions.....	514
Table 15-31. Flash Interlock Register (FLASHLOCK) Register Field Descriptions.....	515
Table 16-1. Interrupt Priority Table.....	523
Table 16-2. Clock Control Register (CLKCNTL) Register Field Descriptions.....	528
Table 16-3. System Exception Control Register (SYSECR) Register Field Descriptions.....	530
Table 16-4. System Exception Status Register (SYSESR) Register Field Descriptions.....	531
Table 16-5. Abort Exception Status Register (ABRTESR) Register Field Descriptions.....	534
Table 16-6. Global Status Register (GLBSTAT) Register Field Descriptions.....	535
Table 16-7. Device Identification Register (DEV) Register Field Descriptions.....	536
Table 16-8. System Software Interrupt Flag Register (SSIF) Register Field Descriptions.....	537
Table 16-9. System Software Interrupt Request Register (SSIR) Register Field Descriptions.....	538
Table 18-1. IRQ Index Offset Vector Register (IRQIVEC) Register Field Descriptions.....	547
Table 18-2. FIQ Index Offset Vector Register (FIQIVEC) Register Field Descriptions.....	548
Table 18-3. FIQ/IRQ Program Control Register (FIRQPR) Register Field Descriptions.....	549
Table 18-4. Pending Interrupt Read Location Register (INTREQ) Register Field Descriptions.....	550
Table 18-5. Interrupt Mask Register (REQMASK) Register Field Descriptions.....	551



UCD3138 is a digital power supply controller from Texas Instruments offering superior levels of integration and performance in a single chip solution targeting high-performance isolated power supply applications. At its core are the digital control loop peripherals, also known as Digital Power Peripherals (DPP) that are used for controlling the high-speed voltage/current loops, and a ARM7TDMI-S microcontroller (32-bit, 31.25MHz) that performs real-time monitoring, communication and configuration of peripherals. Each DPP is capable of implementing a high speed digital control loop by employing a dedicated, high-speed Error Analog to Digital Converter (EADC), a PID based 2 pole–2 zero digital compensator and digital pulse width modulator (DPWM) outputs with 250-ps pulse width resolution. The device also contains 12-bit, 267ksps general purpose ADC with up to 14 channels, timers, interrupt control, JTAG debug and PMBus & UART communications ports. In terms of memory, UCD3138 offers 32KB of program flash, 2kB of data flash, 4KB RAM and 4KB of ROM.

1.1 Scope of This Document

For the most up to date product specifications please consult the UCD3138 Device datasheet ([SLUSAP2](#)) available at www.ti.com.

1.2 A Guide to Other Documentation for all Members of UCD3138 Family of Products

All members of UCD3138 family of Controllers share the same core functions and features. But each one of these devices also offers some unique abilities that may not exist in the other members of the family. The following table is arranged in order to direct you to the right manual for a specific device of your interest.

A downloading link is provided at the intersection only if the specific manual is needed for certain device.

Device\Manual	Migration Guide, Device Enhancement Summary
UCD3138	
UCD3138A	SLUA741
UCD3138064	SLUUAD8
UCD3138064A	SLUA766
UCD3138A64	SLUUB54
UCD3138128	SLUUB54
UCD3138128A	SNIU030

The description of modules and peripherals in UCD3138 family of controllers is explained in this manual and complimentary migration manuals.

The simplest configuration of the Digital Power Peripherals highlighting the key blocks involved in loop control is shown below:



Figure 1-1.

The Error ADC (in the Front End) accepts a differential voltage signal as an input. It measures the difference between this input and a digitally controlled reference voltage and generates a digital error output. It passes this digital error information to the Filter. The Error ADC (or EADC) is a specialized high speed, high resolution ADC with a small dynamic range, optimized for power supply error measurement.

The Filter takes the error signal and passes it through a PID based digital filter which compensates for the characteristics of the external loop. This filter can be dynamically reprogrammed for changing power load source, and circuit characteristics. It also offers non-linear response capability for better handling of transients.

The output of the compensator is passed to a Digital PWM (DPWM) generator. The DPWM has two outputs, which can be used in many different ways. There are modes for synchronous rectification, multiple phases, various bridge topologies, and LLC configurations. In addition to the 2 DPWM outputs, the DPWM has other signals which are used externally and internally. These include:

- Frame start – start of a switching cycle
- Sample Trigger – signals Front end to take a sample
- Sync out – signals another DPWM to start a frame
- Sync in – a signal to this DPWM to start a frame
- Fault signals – signal the DPWM to take various fault actions

These signals will be covered in much more detail in [Chapter 2](#).

The peripherals can be run tied together as shown above, or they can be used in different groupings and interconnections, not shown in the picture above. For example, the DPWM can be used to trigger the Error ADC, which will trigger the Filter at the end of its conversion.

The UCD3138 device supports multiple sets of the Digital Power Peripherals affording the ability to control upto 3 feedback loops (voltage or current) and drive 8 outputs simultaneously. To inter-connect all the DPPs, there is a large module called the Loop Mux. This permits a high degree of flexibility in DPP configuration. Any Front End can be connected to any Filter, and any Filter output can be connected to any DPWM. Additionally, information can be passed between the peripherals. For example, the output of one Filter (eg. controlling a slow Voltage loop), can contribute to the reference of another Front End (eg. monitoring a fast current loop) and enable implementation of nested loops (such as in Average Current mode control).

In addition, the DPPs in UCD3138 provide other modules and functions for power supply and control. These include:

- Fault Handling
- Cycle by Cycle Current Limit
- Constant Power/Constant Current
- Ramp up/Ramp Down
- Peak Current Mode control

and so on.

There is also a module called Fault Mux which connects fault detection circuitry outputs to control inputs, primarily on the DPWMs, to customize fault handling and recovery.

This documentation provides information about the DPP modules in UCD3138, starting with a detailed description, continuing with some configuration examples, and ending with a reference section which lists each bit field in each DPP module.

Trademarks

All trademarks are the property of their respective owners.

Chapter 2 Digital Pulse Width Modulator (DPWM)



The DPWM Module is probably the most complex and central of the DPPs. It takes the output of the Filter and converts it into the correct PWM output for many power supply topologies. Each DPWM module has two output pins – DPWMxA and DPWMxB ($x=0, 1, 2$ & 3). The DPWM provides for programmable dead times and cycle adjustments for current balancing between phases. It controls the triggering of the EADC. It can synchronize to other DPWMs or to external sources. Alternately, it can provide synchronization information to other DPWMs or to external recipients. The DPWM can also be synchronized to external devices using the SYNC pin as either an input or an output. In addition, it interfaces to several fault detection circuits. The response to these faults is part of the DPWM function.

2.1 DPWM Block Diagram.....	28
2.2 Introduction to DPWM (DPWM Multi-Mode, Open Loop).....	30
2.3 DPWM Normal Mode.....	32
2.4 DPWM Phase Shift Mode.....	34
2.5 DPWM Multiple Output Mode (Multi Mode).....	35
2.6 DPWM Resonant Mode.....	37
2.7 Triangular Mode.....	39
2.8 DPWM Leading Edge Mode.....	40
2.9 Sync FET Ramp and IDE Calculation.....	41
2.10 Automatic Mode Switching.....	42
2.11 DPWMC, Edge Generation, IntraMax.....	44
2.12 Time Resolution of Various DPWM Registers.....	45
2.13 PWM Counter and Clocks.....	47
2.14 DPWM Registers - Overview.....	47
2.15 DPWM Control Register 0 (DPWMCTRL0).....	47
2.16 DPWM Control Register 1.....	53
2.17 DPWM Control Register 2.....	56
2.18 Period and Event Registers.....	58
2.19 Phase Trigger Registers.....	58
2.20 Cycle Adjust Registers.....	58
2.21 Resonant Duty Register.....	58
2.22 DPWM Fault Control Register.....	58
2.23 DPWM Overflow Register.....	58
2.24 DPWM Interrupt Register.....	59
2.25 DPWM Counter Preset Register.....	59
2.26 Blanking Registers.....	59
2.27 DPWM Adaptive Sample Register.....	60
2.28 DPWM Fault Status Register.....	60
2.29 DPWM Auto Switch Registers.....	60
2.30 DPWM Edge PWM Generation Register.....	60
2.31 DPWM 0-3 Registers Reference.....	61

2.1 DPWM Block Diagram

The picture below illustrates an overall view of a single DPWM block, which is composed of many different individual modules, through which the signals propagate:

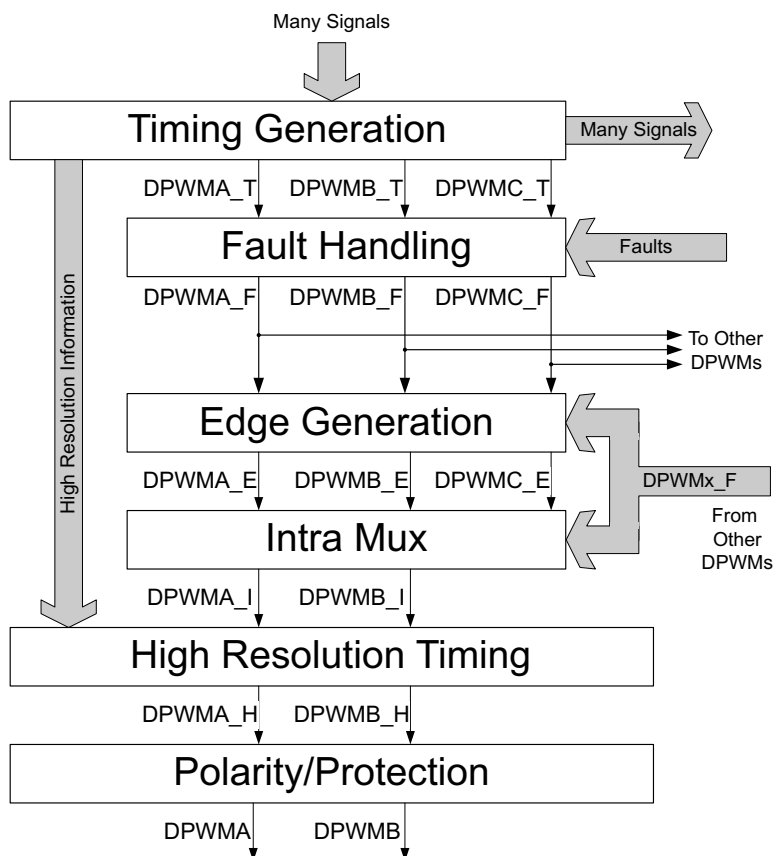


Figure 2-1. Block Diagram of a DPWM Module

- The Timing Generation Module outputs 3 DPWM signals (DPWM_x_T, x=A, B, C), as well as many other signals for other modules. It is the section where the filter output is translated into pulse widths and sometimes into the period.
- The Fault Handling Module is next. It shuts off the DPWM signals if a fault occurs. After the DPWM signals come from the Fault Module (DPWM_x_F, x=A, B, C), they are sent to other DPWM Modules.
- The Edge Generation and Intra Mux modules can combine signals from several DPWMs to generate new signals (DWM_x_E, DPWM_x_I, x=A, B, C).

The notation of DPWM_x_T, DPWM_x_F (where x=A, B, C) etc is very useful here to understand the origin and relationship between the signals. For example DPWM2A_F may have no relationship at all to DPWM2A_I.

Many topologies use neither the DPWMC signal nor Edge Generation and Intra Mux modules. The default is for these modules to just pass signals through unchanged. However certain topologies such as Phase Shifted Full Bridge (PSFB) use both modules as well as DPWMC signal.

These diagrams merely illustrate the signal propagation through the various modules in the DPWM and do not show the configuration logic which controls how each module works and which can dynamically reconfigure the DPWM between switching cycles.

Figure 2-2 shows a block diagram of just the Timing Module illustrating the data, signals and main elements involved (once again, the real logic of the Timing Module is not illustrated here).

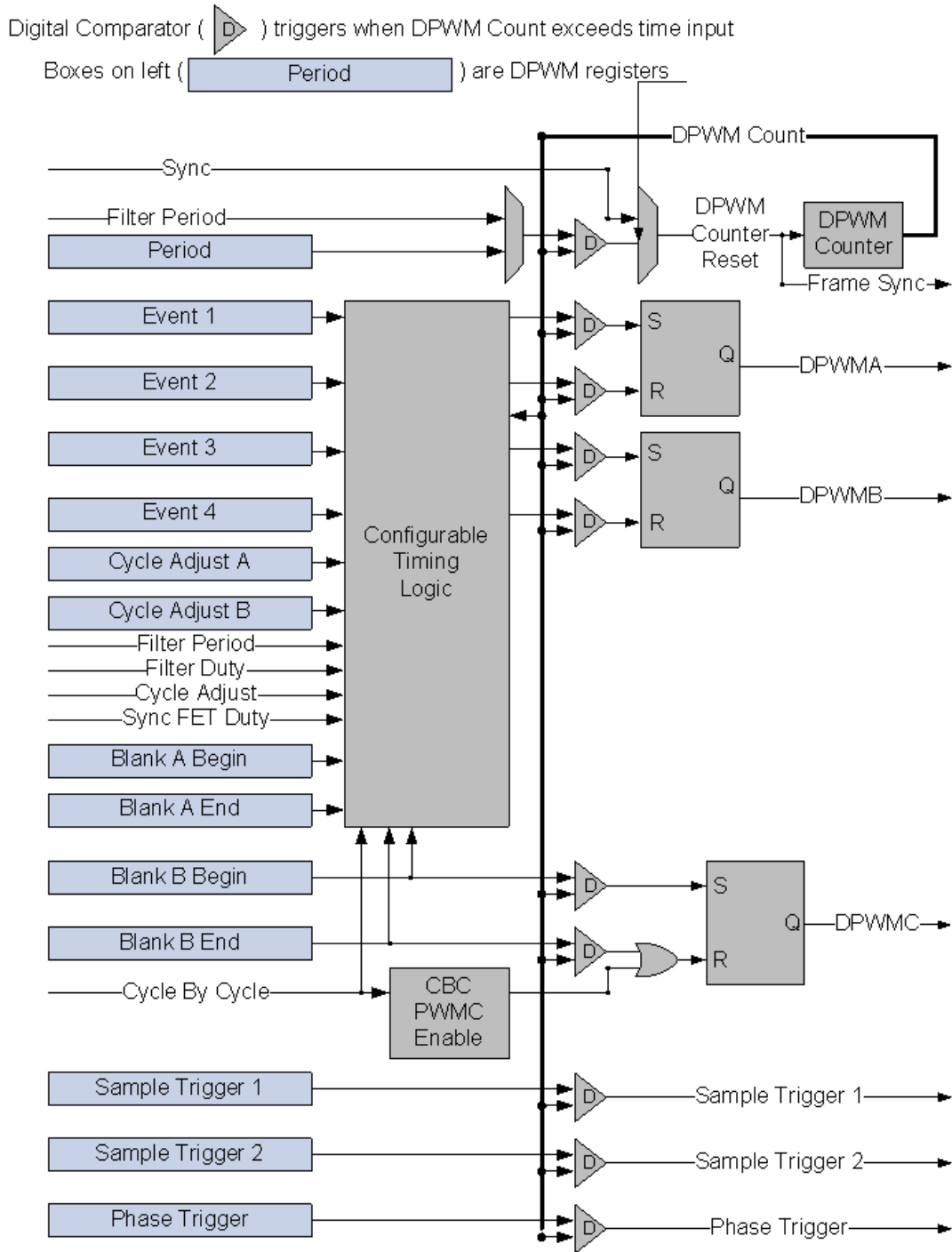


Figure 2-2. Block Diagram of Timing Module in the DPWM module

2.2 Introduction to DPWM (DPWM Multi-Mode, Open Loop)

The DPWM is based on a DPWM counter, which counts up from 0 to a period value, and then is reset and starts over again. The counter can also be reset by a sync signal, either from the SYNC pin, or from another DPWM.

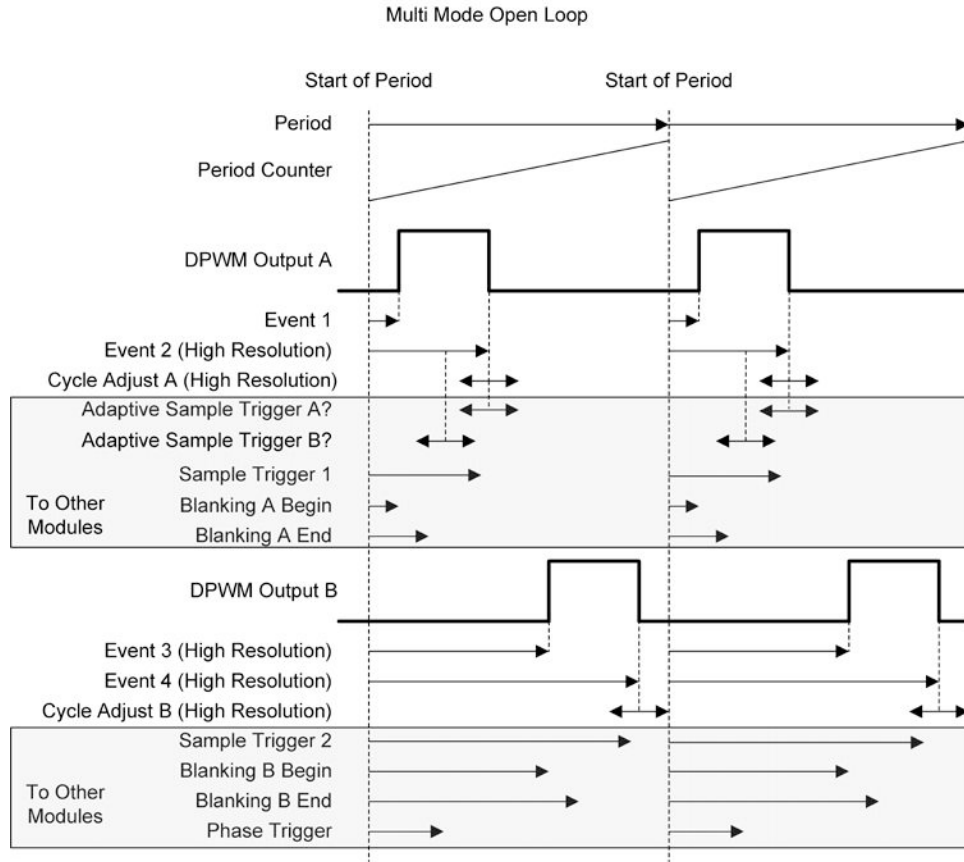
The DPWM logic causes transitions in many digital signals when the period counter hits the target value for that signal. In the Timing Module block diagram shown above, this functionality is represented by a digital comparator.

The DPWM has a basic 250 MHz clock, giving a resolution of 4 nanoseconds. 15 other 250 MHz clocks are generated spaced 250 picoseconds apart. Output pulse widths and pulse spacing are controlled by these clocks, giving a resolution of 250 picoseconds. The edges generated by these clocks are hence referred to as “High Resolution” in the illustrations throughout this section.

Most of the signals out of the DPWM are fairly simple. The only complex signals are DPWMA and DPWMB. These vary depending upon the power supply topology and are the most important signals coming out of the DPWM.

The DPWM has many modes to support different topologies. These are selected by a mode bit field in a DPWM control register. The “Multi mode, Open loop” mode is used to introduce the DPWM here, while the other DPWM modes are described in subsequent sections.

Figure 2-3 illustrates most of the signals involved in the DPWM in a mode known as “Multi mode, Open loop”. Open loop means that the DPWM is controlled entirely by its own registers, not by the filter output. In other words, the power supply control loop is not closed. This mode is used for introducing the DPWM because there is a very simple correlation between DPWM register values and signal timing.



Events which change with DPWM mode:

DPWM A Rising Edge = Event 1
 DPWM A Falling Edge = Event 2 + Cycle Adjust A
 Adaptive Sample Trigger A = Event 1 + Filter Duty + Adaptive Sample Register
 Adaptive Sample Trigger B = Event 1 + Filter Duty/2 + Adaptive Sample Register
 DPWM B Rising Edge = Event 3
 DPWM B Falling Edge = Event 4 + Cycle Adjust B
 Phase Trigger = Phase Trigger Register value

Events always set by their registers, regardless of mode:

Sample Trigger 1, Sample Trigger 2, Blanking A Begin, Blanking A End, Blanking B Begin,
 Blanking B End

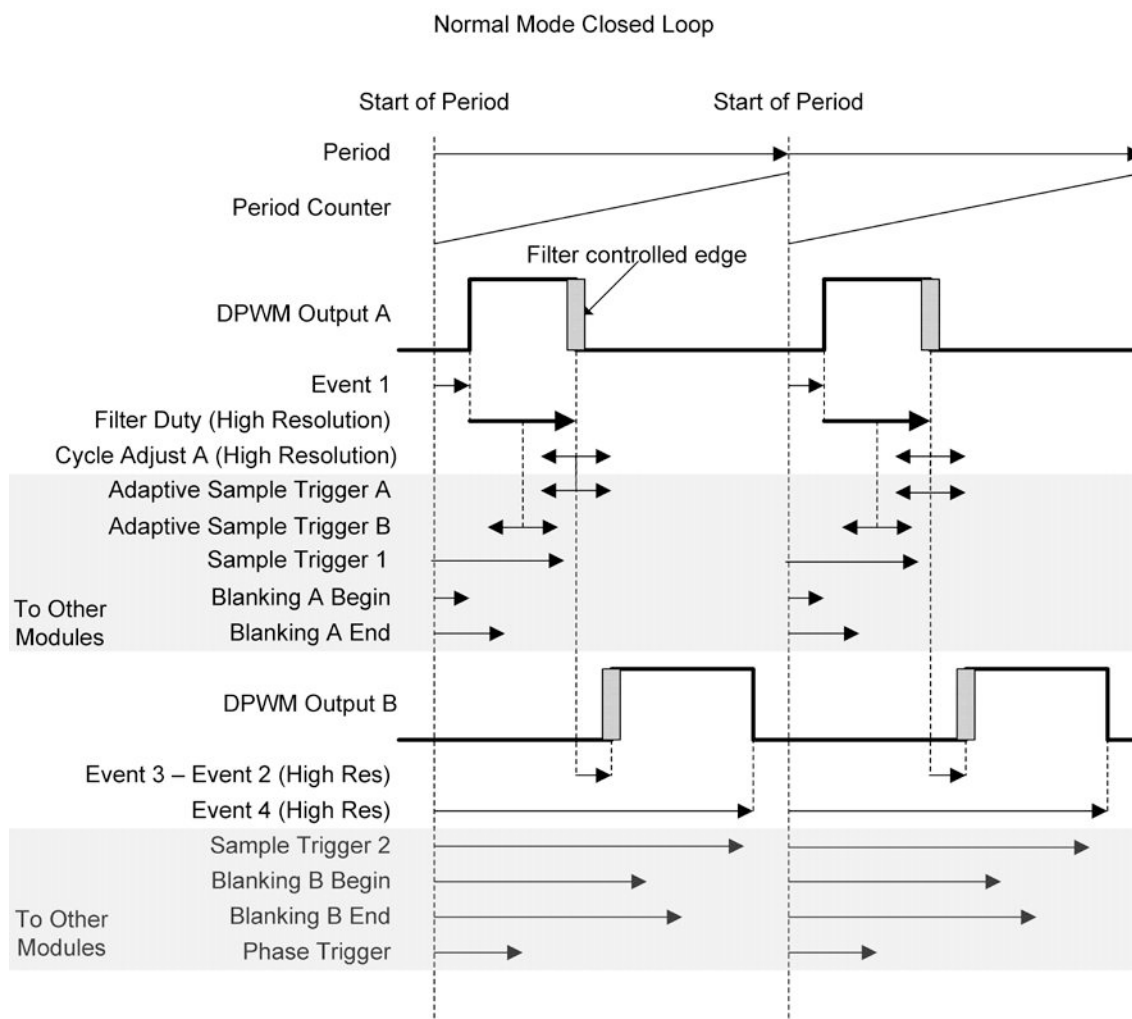
Figure 2-3. DPWM Mode - Multi-mode, Open Loop

The Sample Trigger signals are used to trigger the Front End to sample input signals. The Blanking signals are used to blank fault measurements during noisy events, such as FET turn on and turn off. This prevents false detection of faults caused by noise. They only affect the Cycle By Cycle (CBC) module. Other faults are not blanked.

Note that Sample Trigger 1 and 2, Blanking A and B, and Phase Trigger are shown at logical locations for this specific mode, but they can be placed anywhere within the period.

2.3 DPWM Normal Mode

Note that Sample Trigger 1 and 2, Blanking A and B, and Phase Trigger are shown at logical locations for this specific mode, but they can be placed anywhere within the period.



Events which change with DPWM mode:

DPWM A Rising Edge = Event 1

DPWM A Falling Edge = Event 1 + Filter Duty + Cycle Adjust A

Adaptive Sample Trigger A = Event 1 + Filter Duty + Adaptive Sample Register or

Adaptive Sample Trigger B = Event 1 + Filter Duty/2 + Adaptive Sample Register

DPWM B Rising Edge = Event 1 + Filter Duty + Cycle Adjust A + (Event 3 – Event 2)

DPWM B Falling Edge = Event 4

Phase Trigger = Phase Trigger Register value or Filter Duty

Events always set by their registers, regardless of mode:

Sample Trigger 1, Sample Trigger 2, Blanking A Begin, Blanking A End, Blanking B Begin, Blanking B End

Figure 2-4. DPWM - Normal Mode

Cycle Adjust A can be used to adjust pulse widths on individual phases of a multi-phase system. This can be used if current balancing is necessary, for example. The Adaptive Sample Triggers can be used to sample in

the middle of the on-time (Adaptive Sample Trigger B - for an average output during on-time), or at the end of the on-time (Adaptive Sample Trigger A - to minimize phase delay). The Adaptive Sample Register provides an offset from the center or end of the on-time for DPWM signal from the chip. This can compensate for external delays, such as FET and gate driver turn-on times.

The Blanking signals are used to disable the CBC fault signal during noise. Generally the noise is caused by DPWM edges. The Blanking registers hold fixed values, so they are easiest to use with fixed edges, rather than with edges that change dynamically. So in this case, the rising edge of DPWM A and the falling edge of DPWM B are easy to provide blanking for. In this mode, both blanking times act on the falling edge of A, since this is what the Cycle By Cycle logic works on.

Cycle Adjust B has no effect in Normal Mode.

CAUTION

In Normal Mode, the DPWM calculated rising edge of DPWMB must not be permitted to exceed DPWM Event 4. This can be done either with a clamp on the filter output, or by using an appropriate KCOMP value in the filter output multiply operation. If this is not done, the DPWMB on time may overlap the DPWMA on time, causing shoot through

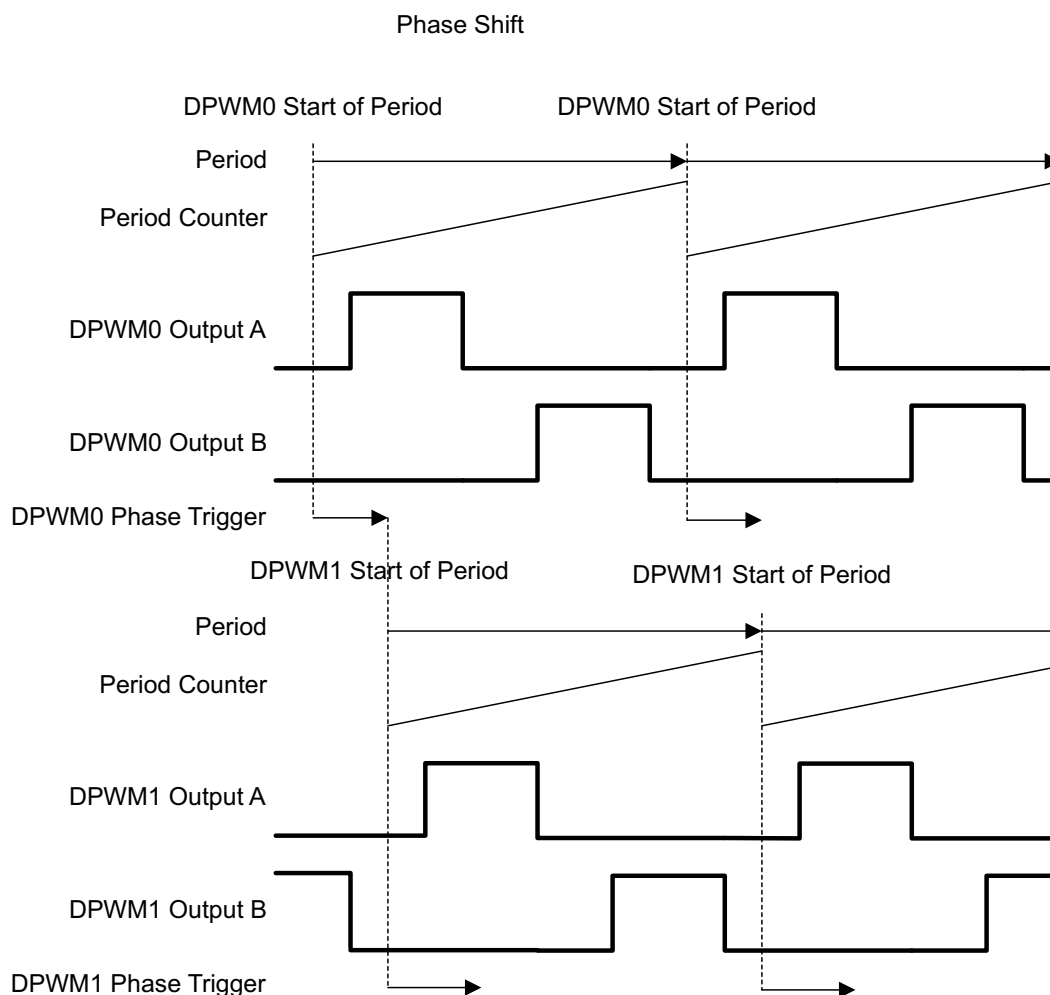
2.4 DPWM Phase Shift Mode

In most modes, it is possible to synchronize multiple DPWM modules using the phase shift signal. The phase shift signal has two possible sources. It can come from the Phase Shift Register or from the Filter Duty value.

The Phase Shift Register provides a fixed value, which is useful in simple multiphase systems such as interleaved PFC.

When the Filter Duty is the source, the changes in the filter output cause changes in the phase relationship of two DPWM modules. This is useful for phase shifted full bridge topologies if voltage mode control is desired rather than peak current mode.

Figure 2-5 shows the mechanism of phase shift:



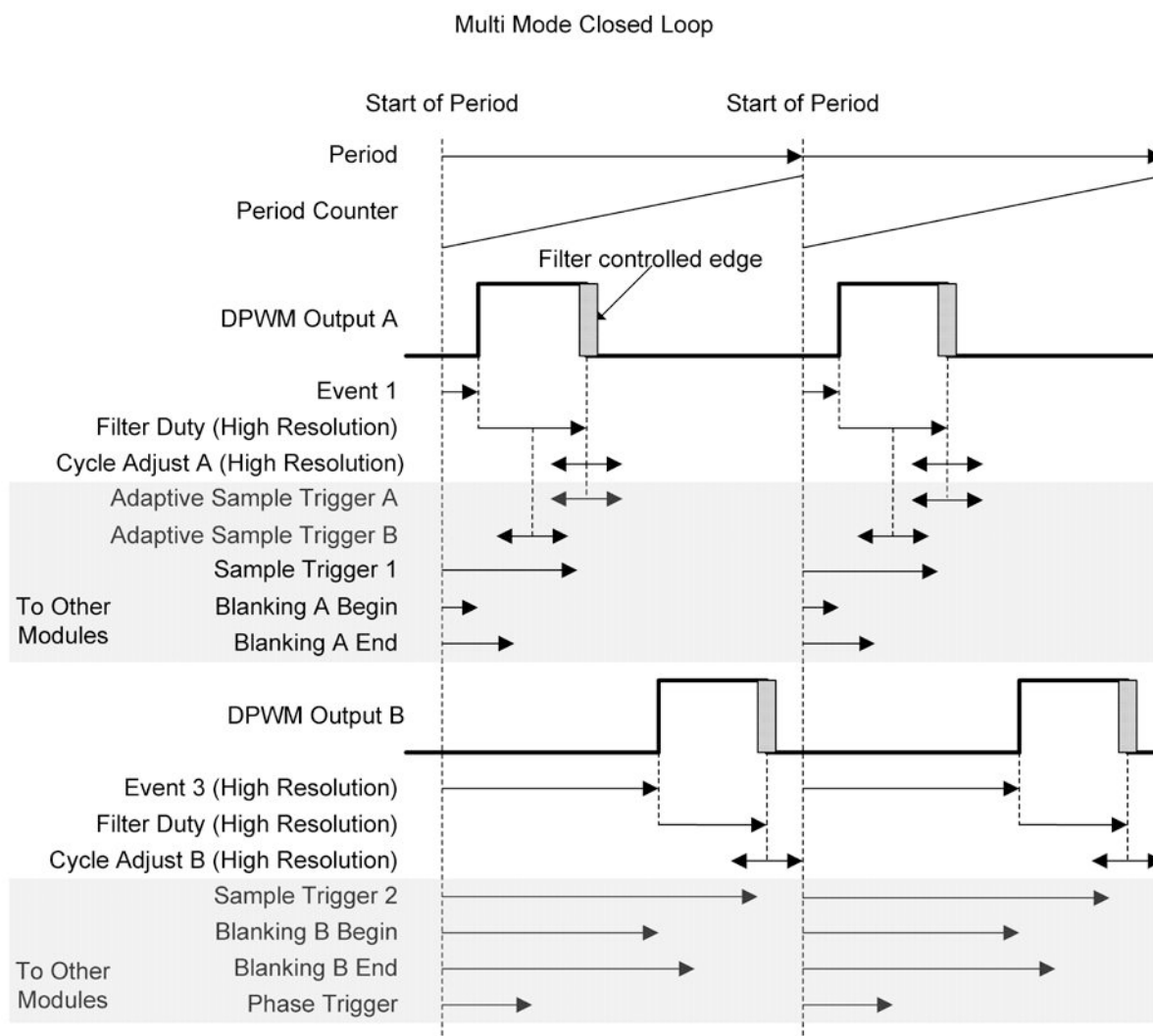
Phase Trigger = Phase Trigger Register value or Filter Duty

Figure 2-5. DPWM - Phase Shift Mode

2.5 DPWM Multiple Output Mode (Multi Mode)

Multi Mode is used for systems where each phase has only one driver signal requirement. In this mode, each DPWM peripheral can drive two phases with the same pulse width, but with a time offset between the phases, and with different cycle adjusts for each phase.

Here is a diagram for Multi mode:



Events which change with DPWM mode:

DPWM A Rising Edge = Event 1
 DPWM A Falling Edge = Event 1 + Filter Duty + Cycle Adjust A
 Adaptive Sample Trigger A = Event 1 + Filter Duty + Adaptive Sample Register or
 Adaptive Sample Trigger B = Event 1 + Filter Duty/2 + Adaptive Sample Register
 DPWM B Rising Edge = Event 3
 DPWM B Falling Edge = Event 3 + Filter Duty + Cycle Adjust B
 Phase Trigger = Phase Trigger Register value or Filter Duty

Events always set by their registers, regardless of mode:

Sample Trigger 1, Sample Trigger 2, Blanking A Begin, Blanking A End, Blanking B
 Begin, Blanking B End

Figure 2-6. DPWM – Multiple Output Mode (Multi Mode)

Event 2 and Event 4 are not relevant in Multi mode.

As shown in the illustration, DPWMA is designed to turn on close to the start of the period. It can turn off any time until the end of the period, achieving essentially 100% on-time. DPWMB is designed to start later in the period to support a multi-phase system. Therefore DPWMB is designed to cross over the period boundary safely,

so long as it does not ever move into or out of an event update window. This makes 100% pulse width operation possible for DPWMB as well.

Since the rising edge on DPWMB is also fixed, Blanking B Begin and End can be used for blanking this rising edge. In this mode, Blanking A works only on the falling edge of A, and Blanking B works only on the falling edge of B.

And, of course, Cycle Adjust B is usable on DPWM B.

There is no restriction preventing the two signals from overlapping each other. The diagram shows the two signals 180 degrees out of phase, but this is not required. They could be 90 degrees, 60 degrees or whatever offset is desired.

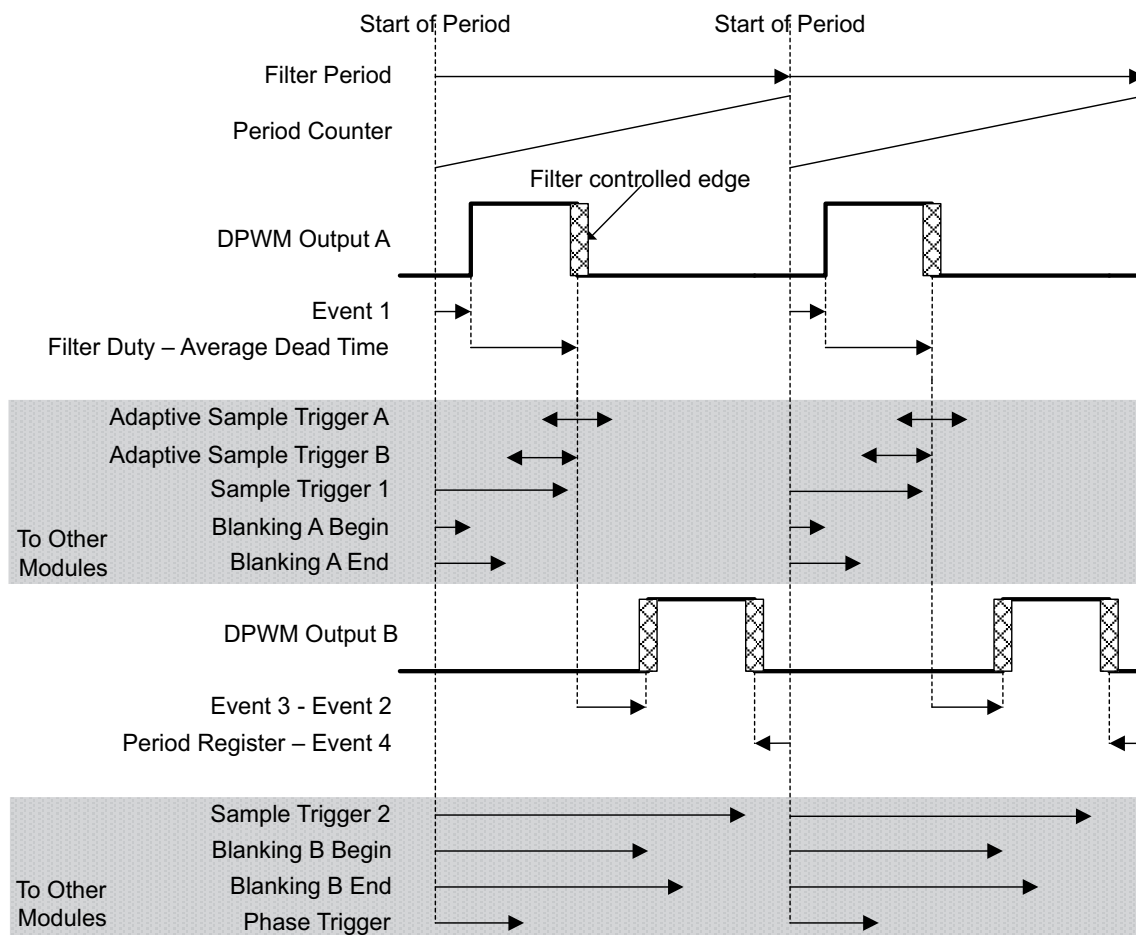
2.6 DPWM Resonant Mode

The resonant mode operation depends on the status of the RESON_DEADTIME_COMP_EN bit. Setting the RESON_DEADTIME_COMP_EN bit provides for a symmetrical waveform where DPWMA and DPWMB have the same pulse width. As the switching frequency changes, the dead times between the pulses remain the same. This mode is ideal for the LLC topology.

Clearing the RESON_DEADTIME_COMP_EN bit provides a mode where the pulse widths are the same and the duty cycle percentage is constant as the period changes. This means that as the frequency increases, the dead times shrink proportionally.

The equations for this mode are designed for a smooth transition from PWM mode to Resonant mode, as described in [Section 2.10.1](#). Here is a diagram of this mode:

Resonant Symmetrical Closed Loop



Events which change with DPWM mode:

$$\begin{aligned} \text{Dead Time 1} &= \text{Event 3} - \text{Event 2} \\ \text{Dead Time 2} &= \text{Event 1} + \text{Period Register} - \text{Event 4} \\ \text{Average Dead Time} &= (\text{Dead Time 1} + \text{Dead Time 2})/2 \end{aligned}$$

$$\begin{aligned} \text{DPWM A Rising Edge} &= \text{Event 1} \\ \text{DPWM A Falling Edge} &= \text{Event 1} + \text{Filter Duty} - \text{Average Dead Time} \\ \text{Adaptive Sample Trigger A} &= \text{Event 1} + \text{Filter Duty} + \text{Adaptive Sample Register} \\ \text{Adaptive Sample Trigger B} &= \text{Event 1} + \text{Filter Duty}/2 + \text{Adaptive Sample Register} \\ \text{DPWM B Rising Edge} &= \text{Event 1} + \text{Filter Duty} - \text{Average Dead Time} + (\text{Event 3} - \text{Event 2}) \\ \text{DPWM B Falling Edge} &= \text{Filter Period} - (\text{Period Register} - \text{Event 4}) \\ \text{Phase Trigger} &= \text{Phase Trigger Register value or Filter Duty} \end{aligned}$$

Events always set by their registers, regardless of mode:

Sample Trigger 1, Sample Trigger 2, Blanking A Begin, Blanking A End, Blanking B Begin, Blanking B End

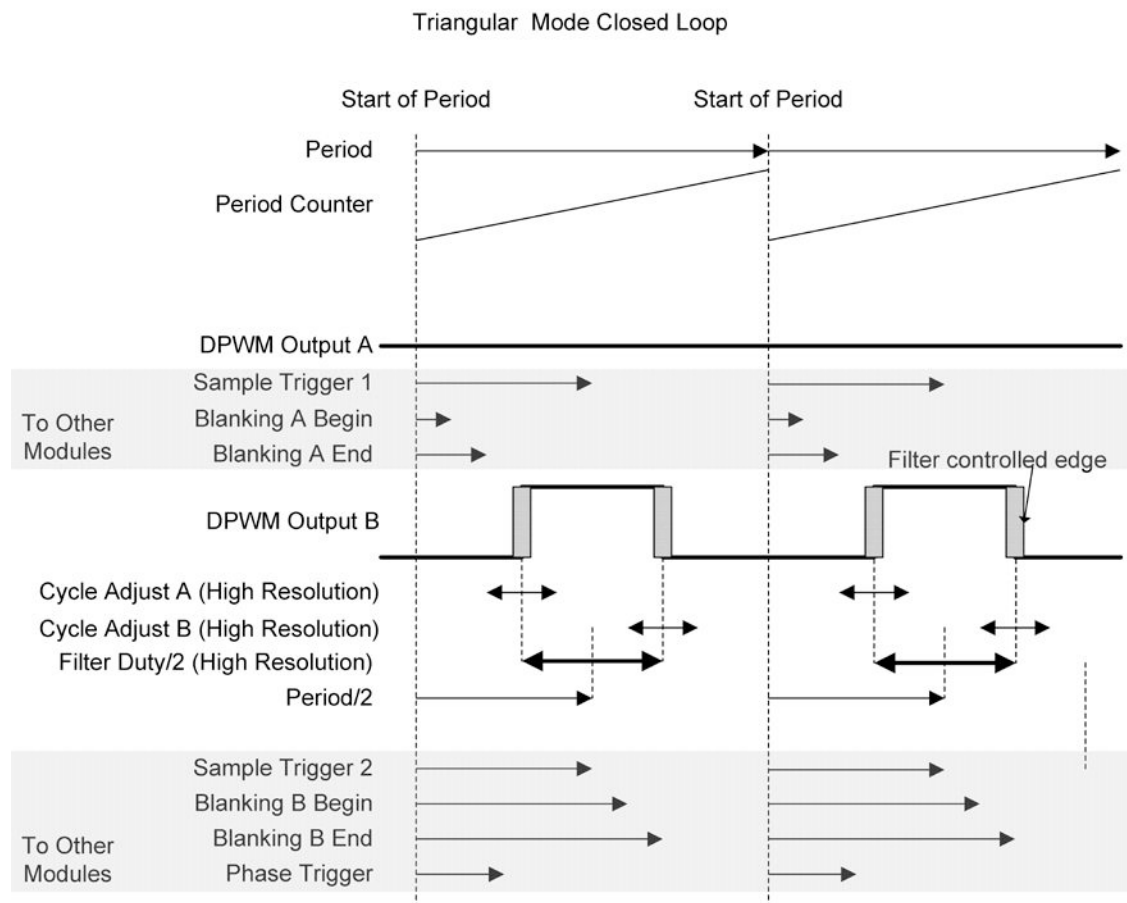
Figure 2-7. DPWM – Resonant Mode

As seen later, the Filter module has two outputs, Filter Duty and Filter Period. In the Resonant mode, the Filter is configured so that the Filter Period is twice the Filter Duty. With zero dead times, each DPWM pin would be On for half of the period. For dead time handling, the average of the two dead times is subtracted from the Filter

Duty for both DPWM pins. Therefore both pins will have the same on-time, and the dead times will be fixed regardless of the period. The only edge which is fixed relative to the start of the period is the rising edge of DPWM A. Blanking A and Blanking B both work only on DPWMA.

2.7 Triangular Mode

Triangular mode provides a very stable phase shift in interleaved PFC and similar topologies. In this case, the PWM pulse is centered in the middle of the period, rather than starting at one end or the other. In Triangular Mode, only DPWM B is available. Here is a diagram for Triangular Mode:



Events which change with DPWM mode:

- DPWM A Rising Edge = None
- DPWM A Falling Edge = None
- Adaptive Sample Trigger = None?
- DPWM B Rising Edge = $\text{Period}/2 - \text{Filter Duty}/2 + \text{Cycle Adjust A}$
- DPWM B Falling Edge = $\text{Period}/2 + \text{Filter Duty}/2 + \text{Cycle Adjust B}$
- Phase Trigger = Phase Trigger Register value or Filter Duty

Events always set by their registers, regardless of mode:

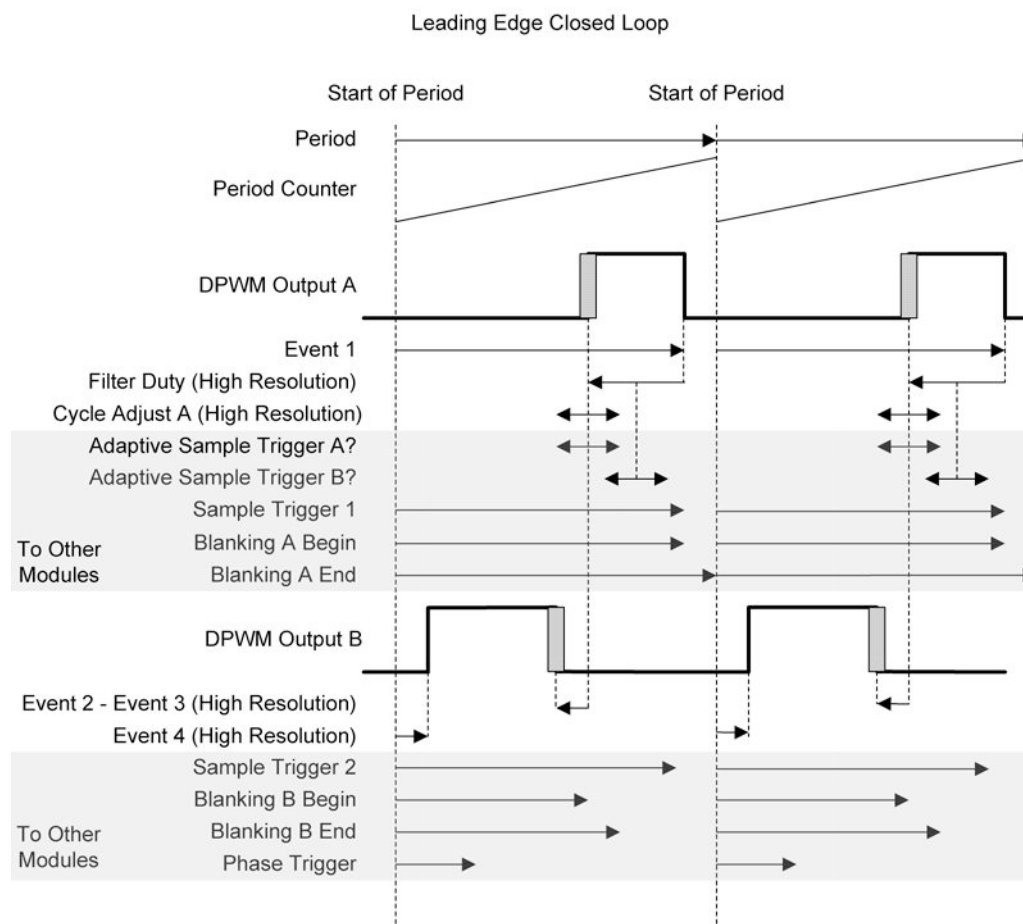
- Sample Trigger 1, Sample Trigger 2, Blanking A Begin, Blanking A End, Blanking B Begin, Blanking B End

Figure 2-8. DPWM – Triangular Mode

All edges are dynamic in triangular mode, so fixed blanking is not that useful. The adaptive sample trigger is not needed. It is very easy to put a fixed sample trigger exactly in the center of the On-time, because the center of the on-time does not move in this mode. Both Blanking A and Blanking B are applied to DPWMB.

2.8 DPWM Leading Edge Mode

Leading edge mode is very similar to Normal mode, reversed in time. The DPWM A falling edge is fixed, and the rising edge moves to the left, or backwards in time, as the filter output increases. The DPWMB falling edge stays ahead of the DPWMA rising edge by a fixed dead time. Here is a diagram of the Leading Edge Mode:



Events which change with DPWM mode:

DPWM A Falling Edge = Event 1
 DPWM A Rising Edge = Event 1 - Filter Duty + Cycle Adjust A
 Adaptive Sample Trigger A = Event 1 - Filter Duty + Adaptive Sample Register or
 Adaptive Sample Trigger B = Event 1 - Filter Duty/2 + Adaptive Sample Register
 DPWM B Rising Edge = Event 4
 DPWM B Falling Edge = Event 1 - Filter Duty + Cycle Adjust A -(Event 2 – Event 3)
 Phase Trigger = Phase Trigger Register value or Filter Duty

Events always set by their registers, regardless of mode:

Sample Trigger 1, Sample Trigger 2, Blanking A Begin, Blanking A End, Blanking B
 Begin, Blanking B End

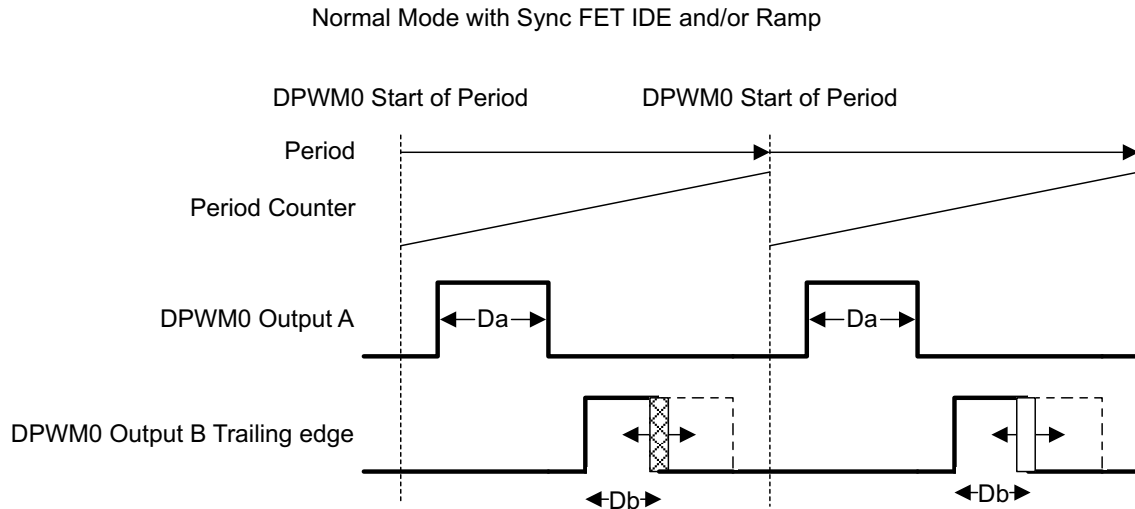
Figure 2-9. DPWM – Leading Edge Mode

As in the Normal mode, the two edges in the middle of the period are dynamic, so the fixed blanking intervals are mainly useful for the edges at the beginning and end of the period.

2.9 Sync FET Ramp and IDE Calculation

For many topologies, it is useful to replace diodes with synchronous rectification (SR), a concept also known as Ideal Diode Emulation (IDE). In continuous conduction mode, the SR FET control is simple, because it can be turned on for the entire off time of the primary FET, minus a dead time. This is handled perfectly by Normal mode. The Sync FET Ramp and IDE calculation are only available in Normal mode. They are not compatible with the Cycle by Cycle Fault module.

However, in discontinuous mode, the SR FET needs to be turned off before the end of the period. The UCD3138 hardware provides an automatic function to make this easier. In this case, the falling edge of DPWMB is adjusted, as shown below:



Sync FET edge on DPWM B controlled by Ramp logic and/or Integrated Diode equation
Stays within dead time limits for Normal Mode

Figure 2-10. SyncFET IDE (Normal Mode)

The digital hardware implements the equation $D_b = D_a * K_d$. The firmware measures V_{in} and V_{out} and calculates K_d . For example, for a Buck topology, $K_d = (V_{in} - V_{out})/V_{out}$, where D_a is duty cycle of the control FET, D_b is duty cycle of SR FET, V_{in} is input voltage and V_{out} is output voltage. The firmware periodically measures the slowly changing V_{in} and V_{out} , and puts the calculated result into the K_d register. The DPWM hardware adjusts D_b every switching cycle, maintaining proper IDE even during transients which cause rapid changes in D_a .

When starting up in prebias mode i.e. with a voltage already present on the outputs, it is difficult to accomplish precise diode emulation (IDE). One solution to this issue is to ramp the voltage up to the target without synchronous rectification (SR), and then to activate SR after the voltage is regulated. When activating or de-activating SR, in order to avoid glitches in the regulated voltage, it is best to gradually increase/decrease the Sync FET on-time. The UCD3138 provides what is termed as Sync FET Soft-On/Soft-Off (ramp) logic to accomplish this. This is documented in [Section 3.3.8](#). The Ramp module in the Front End is used for this function. It will ramp up to either the limits imposed by normal mode, or to the limits imposed by the IDE logic.

With digital IDE enabled, as the system transitions from discontinuous mode into continuous conduction Mode (sync FET is on until end of the period) the IDE will stop reducing the Sync FET pulse width. This is because the reverse conduction through the Sync FET will keep D_a and D_b the same. It is necessary to detect DCM (Discontinuous Conduction Mode) current levels in the IDE approach. Once these levels are detected, the Sync FET should be ramped down, and then ramped back up with IDE enabled.

2.10 Automatic Mode Switching

Automatic Mode switching enables the DPWM module to switch between modes automatically, with no firmware intervention. This is useful to increase efficiency and power range and also to achieve smooth system performance (such as monotonic start-up) in certain topologies. An example of mode switching in LLC topology is provided next.

2.10.1 Resonant LLC Example

In Resonant LLC topology, three modes are used. At the lowest power, a pulse width modulated mode (Multi Mode) is used. As power increases and frequency decreases, Resonant mode is used. As the frequency gets still lower, resonant mode is still used, however the Sync FET driver changes so that the on-time is fixed and does not increase (SR Pulse Width is clamped). Here are the waveforms for the LLC:

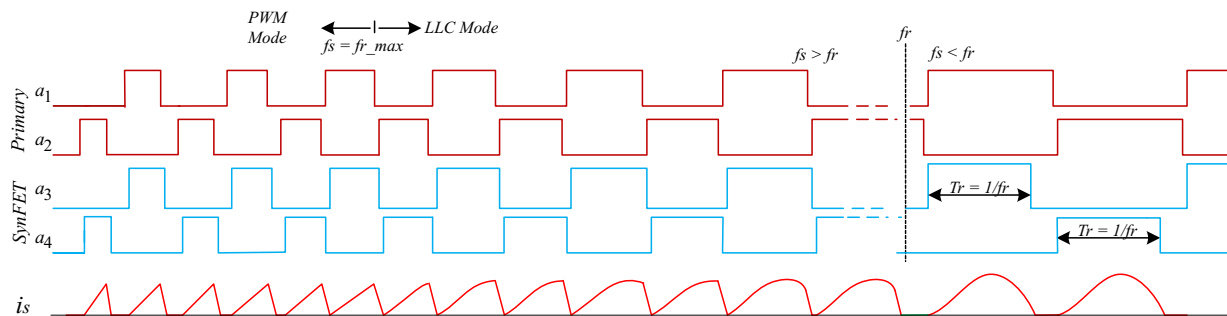


Figure 2-11. Resonant LLC implementation in UCD3138 with Automatic Mode Switching

2.10.2 Mechanism for Automatic Mode Switching

Many of the configuration parameters for the DPWM, including the mode, are in DPWM Control Register 1. For automatic mode switching, some of these parameters are duplicated in the Auto Config Mid and Auto Config High registers.

If automatic mode switching is enabled, the Filter Duty signal is used to select which of these three registers is used. There are 4 registers which are used to select the points at which the mode switching takes place. They are used as shown below:

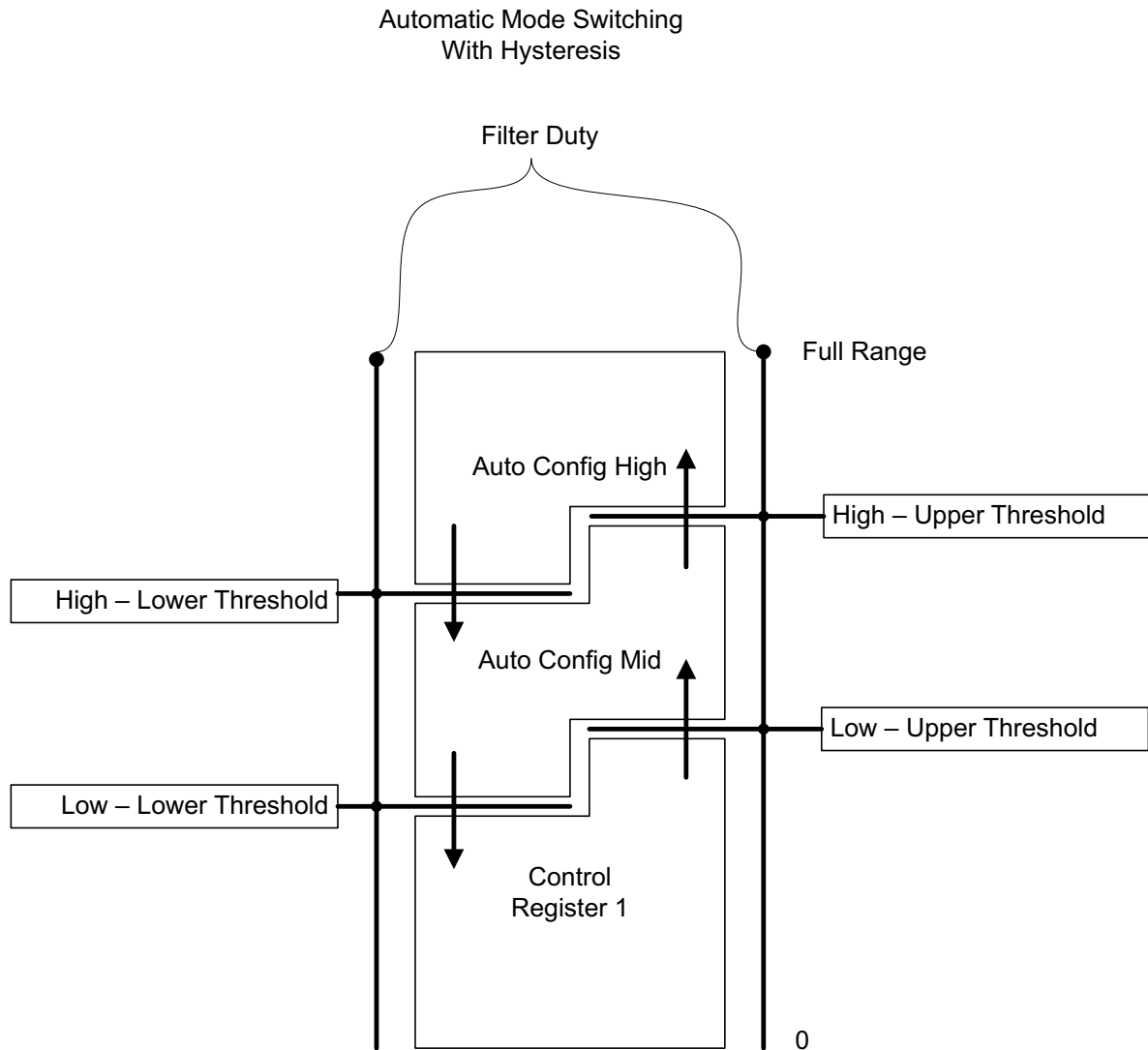


Figure 2-12. Mechanism for Automatic Mode Switching in UCD3138

As shown, the registers are used in pairs for hysteresis. The transition from Control Register 1 to Auto Config Mid only takes place when the Filter Duty goes above the Low Upper threshold. It does not go back to Control Register 1 until the Low Lower Threshold is passed. This prevents oscillation between modes if the filter duty is close to a mode switching point. In some applications it is necessary to make the values the same, disabling hysteresis. This has to be done to make the DPWM signals from the two modes match properly at the mode switching point.

2.11 DPWMC, Edge Generation, IntraMax

The UCD3138 has sophisticated hardware for generating complex waveforms beyond the simple DPWMA and DPWMB waveforms already discussed. The DPWMC, the Edge Generation Module, and the IntraMux play a key role in delivering this capability.

DPWMC is a signal inside the DPWM logic. It goes high at the Blanking B begin time, and low at the Blanking B end time.

The Edge Gen module takes DPWMA and DPWMB from its own DPWM module, and the next one, and uses them to generate edges for two outputs. For DPWM3, the DPWM0 is considered to be the next DPWM. Each edge (rising and falling for DPWMA and DPWMB) has 8 options which can cause it. The options are:

- 0 = DPWM(n) A Rising edge
- 1 = DPWM(n) A Falling edge
- 2 = DPWM(n) B Rising edge
- 3 = DPWM(n) B Falling edge
- 4 = DPWM(n+1) A Rising edge
- 5 = DPWM(n+1) A Falling edge
- 6 = DPWM(n+1) B Rising edge
- 7 = DPWM(n+1) B Falling edge

The Edge Gen is controlled by the DPWMEDGEGEN register. It also has an enable/disable bit.

The IntraMux is controlled by the Auto Config registers. The IntraMux takes signals from multiple DPWMs and from the Edge Gen. It can be programmed to route these signals to the DPWMA and DPWMB outputs. This is useful for complex topologies like Phase Shifted Full Bridge, especially when they are controlled with automatic mode switching. It is disabled by setting the IntraMux to Pass Through mode for each of the DPWM signals, A and B. If the Intra Mux is enabled, high resolution must be disabled.

Here is a drawing of the Edge Gen/Intra Mux:

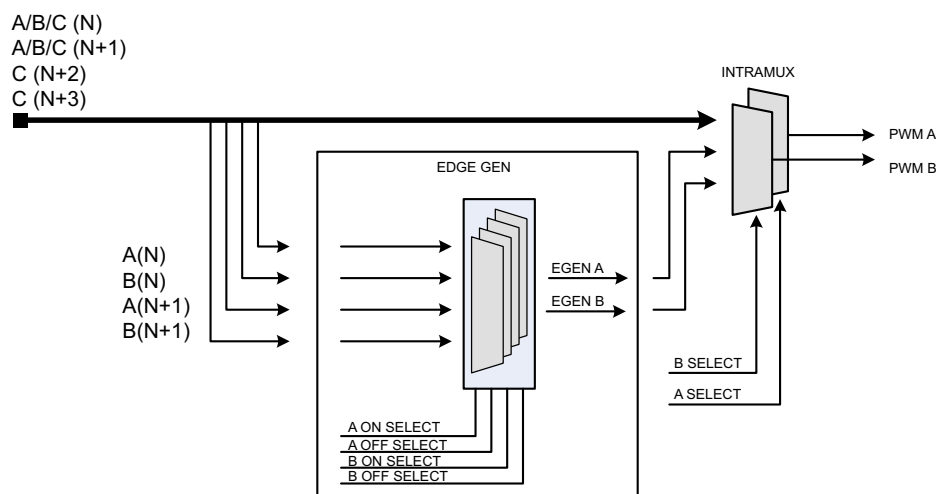


Figure 2-13. UCD3138 Edge-Gen & Intra-Mux

Here is a list of the IntraMux modes for DPWMA:

- 0 = DPWMA(n) pass through (default)
- 1 = Edge-gen output, DPWMA(n)
- 2 = DPWNC(n)
- 3 = DPWMB(n) (Crossover)
- 4 = DPWMA(n+1)
- 5 = DPWMB(n+1)
- 6 = DPWMC(n+1)
- 7 = DPWMC(n+2)
- 8 = DPWMC(n+3)

Here is a list of the IntraMux modes for DPWMB:

- 0 = DPWMB(n) pass through (default)
- 1 = Edge-gen output, DPWMB(n)
- 2 = DPWNC(n)
- 3 = DPWMA(n) (Crossover)
- 4 = DPWMA(n+1)
- 5 = DPWMB(n+1)
- 6 = DPWMC(n+1)
- 7 = DPWMC(n+2)
- 8 = DPWMC(n+3)

The DPWM number wraps around just like the Edge Gen unit. For DPWM4, DPWM(n+1) is DPWM0, DPWM(n+2) is DPWM1, and so on.

Note that the Fault logic affects the Fault module, which is before the Edge Gen and IntraMux units (refer to [Figure 2-1](#)). The effect of a fault must be calculated taking into account the impact of the Edge Gen and IntraMux units.

Also the GPIO_A_EN & GPIO_B_EN bits inside the DPWMCTRL1 register affect the signal state before the IntraMux unit. So if these bits are meant to be used to turn the DPWM output off, the bits in the original DPWM are supposed to be altered. And not the bits in the DPWM module that the outputs are redirected through.

2.12 Time Resolution of Various DPWM Registers

Different registers in the DPWM block have different time resolutions. Pulse widths are generally adjustable in nominal 250 picosecond steps, while period and phase shift are adjustable in 4 nanosecond steps. The sample trigger is adjustable in 16 nanosecond steps.

Table 2-1. DPWM Register Time Resolutions in UCD3138

Register	Resolution	Number of Bits	Bit Alignment
Phase Trigger, Period, Event1, Blanking A and B Begin Blanking A and B End Minimum Duty Cycle Low Minimum Duty Cycle High Counter Preset	4 ns.	14	Standard
Sample Trigger 1 and 2	16 ns	12	Standard
Event2,3,4	250 ps	18	Standard
Cycle Adjust A and B	250 ps	16 (signed)	Standard
Adaptive Sample	16 ns	12 (signed)	16 ns LSbit
Resonant Duty	4 ns.	16 (signed) or 14 (unsigned)	4 ns LSbit

On the UCD3138, all these registers are aligned so that their bit fields match the scaling, except for the Resonant Duty and Adaptive Sample register. All the registers are unsigned, except for the 2 adjust registers, Resonant Duty and Adaptive Sample register, which are signed to permit positive or negative adjustment.

The Resonant Duty register is used in the UCD3138 LLC reference firmware (implemented in UCD3138LLCEVM-028 EVM) as a 14 bit unsigned register. It can also be used as a 16 bit signed register. See [Section 2.21](#).

This means that the Phase Trigger, Period, and Event1 registers ignore the 4 least significant bits, as shown below:

Table 2-2. DPWM Period Register (DPWMPRD)
All other 4 ns registers with standard alignment are the same.

Bit Number	17:4	3:0
Bit Name	PRD	RESERVED
Access	R/W	-
Default	00_0011_0100_0001	0000

The Sample Trigger registers ignore the 6 least significant bits, as shown here:

Table 2-3. DPWM Sample Trigger 1 Register (DPWMSAMPTRIG1)

Bit Number	17:6	5:0
Bit Name	SAMPLE_TRIGGER	RESERVED
Access	R/W	-
Default	0000_0010_0000	00_0000

Only the Event 2, 3, and 4 registers use all 18 bits of the field, as shown below.

Table 2-4. DPWM Event 2 Register (DPWMEV2)
Event 3 and 4 are the same, Cycle Adjust registers only go to bit 15

Bit Number	17:0
Bit Name	EVENT2
Access	R/W
Default	00_0000_0001_0110_0011

This means that in all these registers, each bit has the same weight in terms of time. This makes configuration simpler, since all register loads can use the same time base.

To use this feature, use the .all extension on the register structure. The bit fields do not include the ignored bits.

All of these C statements put 10 microseconds into the respective registers. Note that the “Low” resolution clock is at 4 nanoseconds, and “High” resolution is at 250 picoseconds So the corresponding numbers for the registers are 2,500 and 40,000 respectively.

```

Dpwm0Regs.DPWMPRD.all = 40000; //includes 4 unused least significant bits
Dpwm0Regs.DPWMPRD.bit.PRD = 2500; //only puts in PRD bit field = 40000/16
Dpwm0Regs.DPWMEV1.all = 40000; //includes 4 unused bits
Dpwm0Regs.DPWMEV1.bit.EVENT1 = 2500; //EV1 is the only low resolution event register
Dpwm0Regs.DPWMEV2.all = 40000; //EV2 is high resolution, so
Dpwm0Regs.DPWMEV2.bit.EVENT2 = 40000; //both forms are the same
Dpwm0Regs.DPWMSAMPTRIG1.all = 40000; //includes 6 unused 1sbs
Dpwm0Regs.DPWMSAMPTRIG1.bit.SAMPLE_TRIGGER = 625;
//needs to be divided by 64 for 6 bits

```

The adaptive sample and resonant duty registers do not follow the standard bit alignment. Their least significant bits are worth 16 nanoseconds and 4 nanoseconds respectively.

2.13 PWM Counter and Clocks

The PWM counter is the center of the DPWM logic. There is no register that can be read to give the value of the PWM counter, but most events are triggered by it. In all modes it is allowed to count up to the period value, and then restarted at zero. Since it restarts at zero, the period is technically equal to PERIOD + 1. So in the example above, the number should really be 2499. Generally the error is unimportant. In all modes but the resonant modes, the period is a fixed value. In the resonant modes, the period comes from the output of a Filter.

The PWM counter is also restarted by the receipt of a sync signal (if sync is enabled), as shown above in [Section 2.4](#).

Sync signals received exactly at the end of the period run very smoothly. Sync signals received at other times during the period will restart the counter and the period. The effects of this should be taken into consideration for each application.

Even though the period register has only 14 bits, the PWM counter effectively has 18 bits. Each 4 nanosecond period is subdivided into 16 intervals, nominally 250 picoseconds long. The extra 4 bits representing these intervals are called “high resolution bits”.

2.14 DPWM Registers - Overview

This section discusses each DPWM register, with examples of their use where appropriate. In addition, it interacts with many other peripherals, parts of which are also described below.

2.15 DPWM Control Register 0 (DPWMCTRL0)

The DPWM Control Register 0 is one of 3 DPWM control registers which configure the DPWM. All 3 registers control a variety of DPWM functions. It is not possible to draw a clear dividing line between the 3 registers.

2.15.1 DPWM Auto Config Mid and Max Registers

There are two other registers – DPWMAUTOMAX and DPWMAUTOMID, which have many of the same bits as control register 0.

These two Auto Mode Switching (AMS) registers are used in topologies where the DPWM mode changes automatically as the filter output changes, such as resonant and phase shifted full bridge. See [Section 2.10.2](#) on the auto switch level registers for more information on mode switching.

Not all bits in DPWMCTRL0 are duplicated in the auto registers. The bits that occur only in DPWMCTRL0 are used for all modes. Bits were selected based on mode switching needs for LLC and PSFB topologies. The following bitfield descriptions tell whether each field occurs in the auto mode switching registers.

2.15.2 Intra Mux

The Intra Mux bit fields, PWM_A_INTRA_MUX, and PWM_B_INTRA_MUX, enable signals from different sources to be multiplexed into the 2 DPWM outputs, A and B. This functionality is used in full and half bridge topologies. The default value for this bit field, 0, causes normal functionality, with the standard DPWM waveforms as described in the mode descriptions above section to appear on the DPWMA and DPWMB pins. For details of the Intra Mux, see [Section 2.11](#).

These fields also occur in the AMS registers.

2.15.3 Cycle by Cycle Current Limit Enable

There are several enable bits related to cycle by cycle current limit:

DPWMCTRL0 contains:

CBC_PWM_C_EN

CBC_PWM_AB_EN

CBC_ADV_CNT_EN

CBC_SYNC_CUR_LIMIT_EN

CBC_BSIDE_ACTIVE_EN

All of these bits, except for CBC_BSIDE_ACTIVE_EN also occur in the AMS registers.

The first two, CBC_PWM_C_EN and CBC_PWM_AB_EN simply enable cycle by cycle current limit for their respective signals. In all modes, CBC_PWM_EN has an independent effect on DPWMC.

The other bits have no effect on DPWMC. The other three bits have different effects in different modes. Here are the effects:

Normal Mode

In normal mode, a CBC event will cause DPWMA to go low before the time dictated by the CLA. The dead time for DPWMB will be preserved, so the rising edge of DPWMB will be moved forward by the same amount as the falling edge of DPWMA.

There are only two options for setting the CBC bits in normal mode:

1. All cleared, no CBC.
2. Set both CBC_PWM_AB_EN and CBC_ADV_CNT_EN to get CBC

CBC_BSIDE_ACTIVE_EN has no effect. Normal mode has some support for negative dead times, as does the CBC logic. Even negative dead times will be preserved. As seen in [Figure 2-14](#), if there is a negative dead time, the minimum pulse width on DPWMA will be equivalent to the dead time. To preserve a negative dead time, the CBC will trigger a rising edge on DPWMB. After the dead time is expired, then DPWMA will fall.

With a positive dead time, of course, DPWMA will fall with the CBC event, and DPWMB will rise after the dead time:

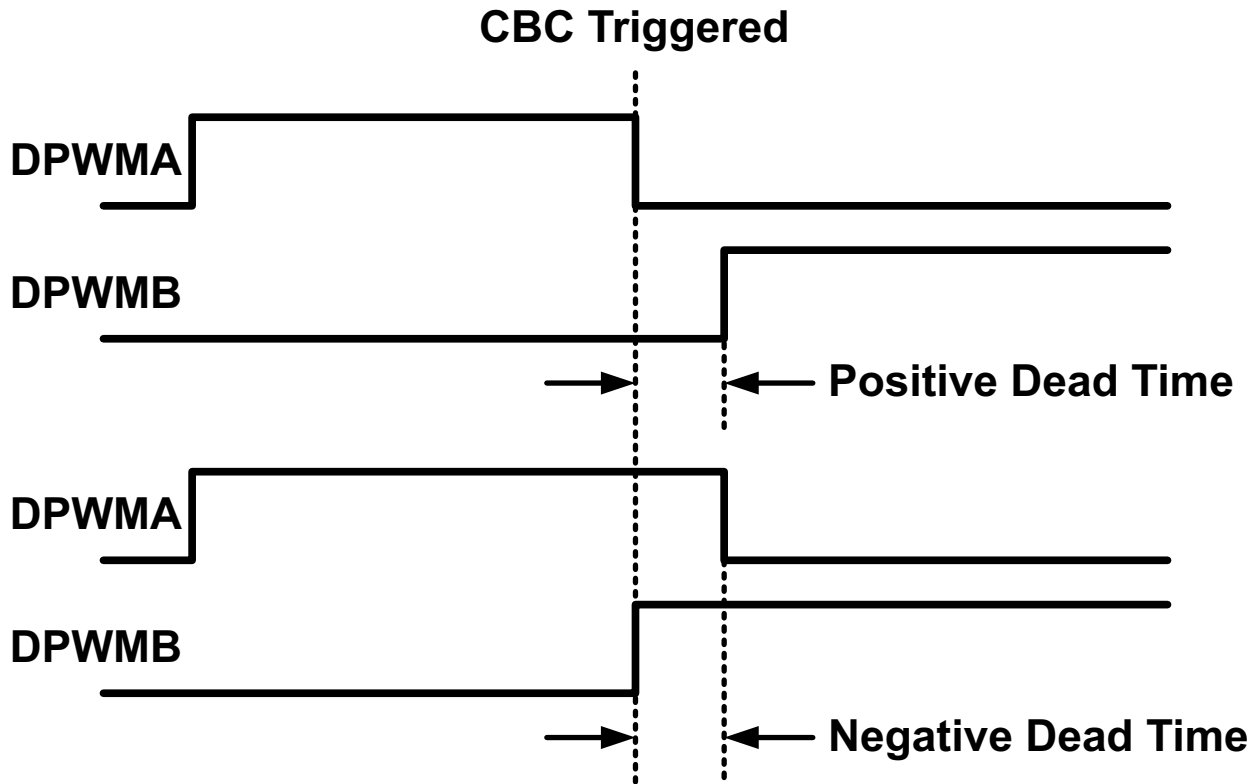


Figure 2-14.

Even if DPWMB is being used as a GPIO, it is important to program Event 3 for dead times with CBC.

Resonant/Multi Mode

In resonant/multi mode, the systems are often symmetrical. In this case, DPWMB may need to be controlled by the Cycle by Cycle Fault logic as well. Sometimes a shortened on time on one DPWM pin needs to be followed by an equal length on time on the other DPWM pin to prevent an offset from building up in a capacitor or inductor. In this case, it is possible to enable duty cycle matching in these two modes. If DPWMA or DPWMB is cut short by a CBC event, the next pulse, on the other DPWM pin, will also be shortened to the same length.

Here are the states for resonant and multi modes:

- All cleared - no CBC
- Only CBC_PWM_AB_EN set - CBC on A and B, no duty cycle matching
- CBC_PWM_AB_EN and CBC_ADV_CNT_EN set, CBC_BSIDE_ACTIVE_EN not set - CBC on A only and B duty cycle matches to A
- All three set - CBC on A and B, duty cycle matching both ways

Table 2-5. Truth Table

CBC_PWM_AB_EN	CBC_ADV_CNT_EN	CBC_BSIDE_ACTIVE_EN	CBC A	CBC B	Duty Match
0	x	x	0	0	0
1	0	0	1	1	0
1	1	0	1	M	B matches A
1	1	1	1	1	both match

CBC_SYNC_CUR_LIM_EN is used to control the slave sync. If this bit is set, the slave sync is advanced during current limit. This is not used in any topology configuration at this time. If this bit is set, the sync out pulse from the DPWM will occur if the CBC fault occurs. If the CBC fault does not occur during a period, the sync pulse will occur according to the normal setting of the sync control bit fields.

Note that CBC current limit protection may terminate PWM pulses earlier than what the user defines. Therefore, it is advised to disable CBC current limit protection in the event update window (72ns for UCD3138) by implementing CBC blanking time.

For more information on cycle by cycle current limit, refer to [Chapter 6](#).

2.15.4 Multi Mode On/Off

The MULTI_MODE_CLA_A_OFF and MULTI_MODE_CLA_B_OFF bits dictate which calculation is used for each DPWM pin in multi mode only. In other modes they should not be set. If the bit is cleared, the on-time of the DPWM pin is controlled by the Filter output. If the bit is set, then the on-time is controlled by the Event registers.

The AMS registers only have MULTI_MODE_CLA_B_OFF, they do not have MULTI_MODE_CLA_A_OFF.

2.15.5 Minimum Duty Mode

The MIN_DUTY_MODE bits select how the DPWM handles minimum duty cycle limits.

- 0 Default - Filter output is passed directly through to the DPWM
- 1 - Filter value passed through if above minimum. If below minimum, no pulse from DPWM
- 2 - Filter value passed through if above minimum. If below minimum, DPWM pulse width = minimum value

There are two registers setting minimum duty and hysteresis:

DPWMMINDUTYLOW

DPWMMINDUTYHI

The Low register sets the point at which the minimum duty mode will take effect as the duty drops. In mode 2, it also sets the minimum duty.

The High register sets the point at which minimum duty mode is exited as the duty goes up.

These bits are not duplicated in the AMS registers.

These two graphs show modes 1 and 2 with PMMINDUTYLOW at 30, and DPWMMINDUTYHI at 70.

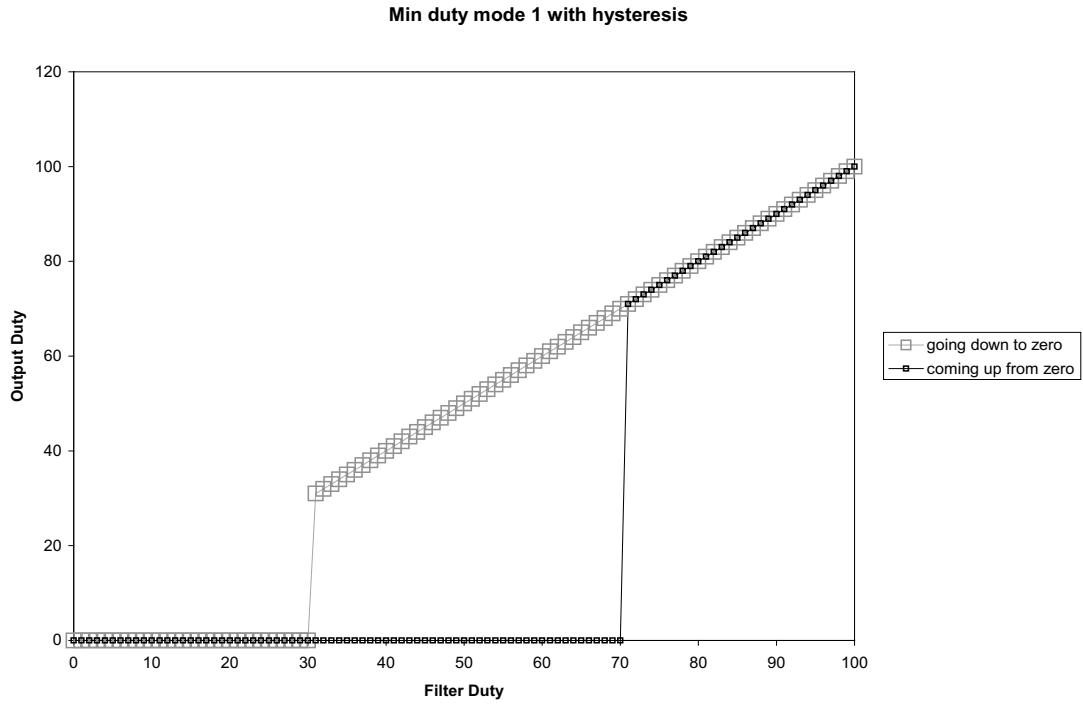


Figure 2-15. Minimum Duty Mode 1

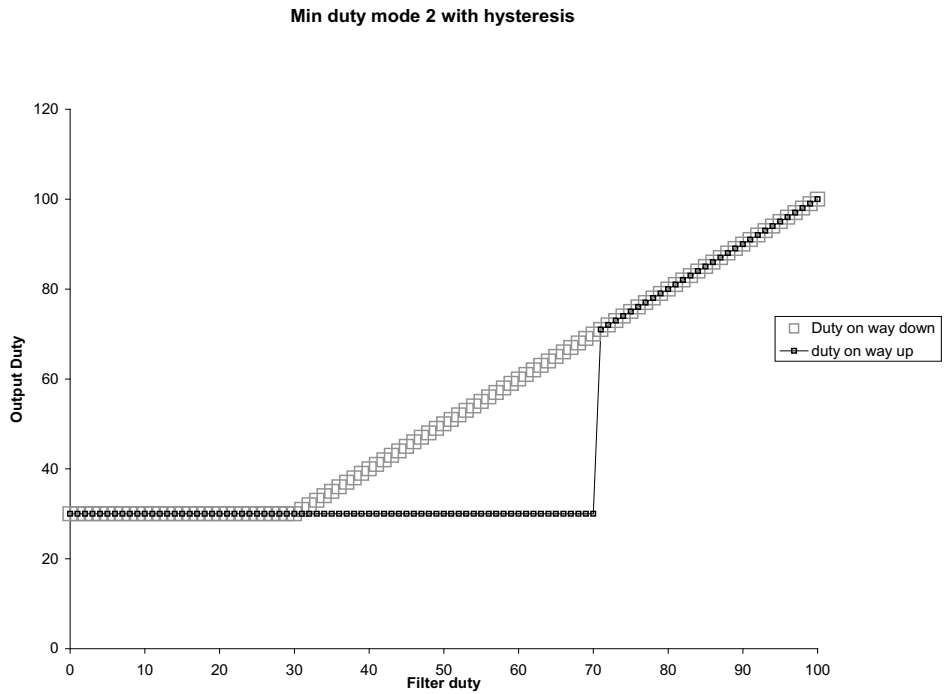


Figure 2-16. Minimum Duty Mode 2

2.15.6 Master Sync Control Select

The MASTER_SYNC_CNTL_SEL bit selects where the sync output of the DPWM channel comes from.

The default value, 0, causes the sync delay to come from the Phase Trigger register. This is useful for systems that have fixed intervals between phases, such as interleaved PFC and hard switching full bridge. See [Section 2.4](#).

Putting a 1 into this bit causes the master sync output to be controlled by the Filter output.

This bit is duplicated in the AMS registers.

2.15.7 Master Sync Slave Enable

Setting the MSYNC_SLAVE_EN bit enables the DPWM channel to be slaved to the sync output of another DPWM channel. This bit works together with the DPWMx_SYNC_SEL bits in the DPWMMUX register in [Chapter 5](#). The sample code below makes DPWM1 a slave to DPWM0:

```
LoopMuxRegs.DPWMMUX.bit.DPWM1_SYNC_SEL = 0; //DPWM1 is slave to DPWM0
Dpwm1Regs.DPWMCTRL0.bit.MSYNC_SLAVE_EN = 1; //enable slave mode for DPWM1
```

This bit is not duplicated in the AMS registers.

2.15.8 D Enable

Normally, the Filter Duty (D) is used to set the on-time of DPWM pins directly. In other words, OnTime = D. The D_ENABLE bit can be used to make the OnTime = 1-D instead.

A default value (0) causes the output of the Filter to be used directly for DPWM output calculations. So in multi mode, for example, the DPWMA and B on-times would increase as the Filter Duty increases.

If the D_ENABLE bit is set, however, the Filter Duty is subtracted from the period register. In this case, as the Filter Duty increases from zero to full range, the on-time will decrease from 100% of the period to 0% of the period.

This bit is not duplicated in the AMS registers.

2.15.9 Resonant Mode Fixed Duty Enable

The RESON_MODE_FIXED_DUTY_EN bit only controls the duty cycle width in the resonant modes. With the default (0) value, the duty cycle comes from the filter directly. This is for use above the lower resonant frequency, Fmin, and provides a duty cycle that fills half the period minus a fixed dead time.

Setting this bit causes the pulse width to be derived from the Auto Switch High Upper Threshold Register.

This bit is generally only set for LLC for the Sync FETs in the mode where the output frequency is below the lowest resonant frequency of the circuit. At this point any increases in pulse width are not beneficial, so they are stopped. There is also a waveform showing the modes in [Section 2.10.1](#).

This bit is duplicated in the AMS registers.

2.15.10 DPWM A and B Fault Priority

The PWM_A_FLT_POL and PWM_B_FLT_POL bits increase the flexibility of the DPWM by permitting arbitrary output states for the DPWM pins in case of a fault. The values in these bits will also appear on these pins when the DPWM is disabled. These values actually appear on the output of the Fault Module in the DPWM. Therefore, if the IntraMux or Edge Generation units are used, the same value may not appear on the output of the DPWM.

These bits do not affect the DPWM status after device reset. After reset, all DPWM pins are configured as outputs and actively driven low.

These bits are not duplicated in the AMS registers.

2.15.11 Blank Enable

The BLANK_A_EN and BLANK_B_EN bits are used for fault detection. They work with the blanking registers – See [Section 2.26](#) – to enable blanking for current limit detection. Without blanking, noise may cause false Cycle By Cycle (CBC) fault detection.

These bits are not duplicated in the AMS registers.

2.15.12 DPWM Mode

The PWM_MODE bits select the mode for the DPWM. See [Section 2.31](#) for the mode numbers, and sections above for the descriptions of the various modes.

These bits are duplicated in the AMS registers.

2.15.13 DPWM Invert

The PWM_A_INV and PWM_B_INV bits invert the output of the DPWMA and DPWMB pins.

These bits do not affect the DPWM status after device reset however. After reset, all DPWM pins configured as outputs which are actively driving low.

These bits are not duplicated in the AMS registers.

2.15.14 1.15.14 Filter Enable (CLA_EN)

In the past, the filter was called a Control Law Accelerator, so for historical reasons, the Filter Enable bit is called CLA_EN. This bit, when set, causes the DPWM to take its input from a Filter. Otherwise, the DPWM output comes from the DPWM registers only.

This bit is duplicated in the AMS registers.

The filter which controls each DPWM is selected by the DPWMx_FILTER_SEL bit in the DPWMMUX register in the Loop Mux.

2.15.15 DPWM Enable

The PWM_EN bit, when set enables the DPWM channel. If it is 0 (default), the DPWM outputs are set to the value in the DPWM Fault Polarity bits ([Section 2.15.10](#)).

Note that if edge generation is enabled, the bits will be controlled by the edge gen logic. To make the bits go to the desired values, it will be necessary to clear the EDGE_EN bit in DPWMEDGEGEN.

This bit occurs only in the Control 0 register, not in the AMS registers.

2.16 DPWM Control Register 1

Like DPWMCRTL0, the DPWMCTRL1 register contains a wide assortment of control bits for the DPWM.

2.16.1 Period Counter Preset Enable

The PRESET_EN bit adds flexibility for systems with multiple DPWM modules that have different period starting times. It can be used to start up all DPWMs simultaneously, even if their periods do not start at the same times. It can also be used for synchronizing these DPWMs.

Normally, the period counter is reset to zero by three events

1. DPWM ENABLE
2. Sync Received (slave mode enabled)
3. Counter reaches Period Register value

If PRESET_EN is enabled, this changes:

1. DPWM_ENABLE – Period Counter set to preset value
2. Sync Received (slave mode enabled) – Period Counter set to preset value
3. Counter reaches Period Register value – Period counter set to zero

2.16.2 Sync FET Ramp Enable

The SYNC_FET_EN bit enables the Sync FET Ramp logic to take control of DPWM B. For more on the Ramp logic, see [Section 3.3.8](#). The Front End which provides the Ramp data is selected in the DPWMMUX register in the Loop Mux. The following code enables Sync FET Ramp for DPWM0, and sets up Front End 0's Ramp Engine to provide the ramp source.

```
LoopMuxRegs.DPWMMUX.bit.DPWM0_SYNC_FET_SEL = 0;
//use ramp engine on Front End 03
Dpwm0Regs.DPWMCTRL1.bit.SYNC_FET_EN = 1; //enable sync FET ramp
```

The Sync FET Ramp logic ramps the pulse width of DPWMB up from a starting point to a width controlled by Normal mode, or by the IDE function, if enabled. It only works in Normal mode.

2.16.3 Burst Mode Enable

Setting the BURST_EN bit enables burst (light load) mode for this DPWM. For more information on Light load mode, see the light load section.

2.16.4 Current/Flux Balancing Duty Adjust

Setting the CLA_DUTY_ADJ_EN bit enables the Current Balancing logic to modify the input to the DPWM so that current controlled by this DPWM can be balanced with the current controlled by another DPWM in the same UCD3138.

2.16.5 1.16.5 Sync Out Divisor Selection

The SYNC_OUT_DIV_SEL bit field selects a divisor generating the sync out pulse on the external sync out pin. It is only effective on the sync out, not on internal chip sync signals sent to other DPWMs.

The divisor has 4 bits, and a range from 1 to 16 for the divisor. The divisor = SYNC_OUT_DIV_SEL + 1.

So 0 in the bit field would give a divisor of 1, 1 gives a divisor of 2, and so on.

2.16.6 Filter Scale

The CLA_SCALE bits control shifting of the Filter Duty output before it is used by the DPWM. Shifts available range from a 3 bit right shift to a 3 bit left shift. The Filter Period is not scaled by these bits.

The default value, 0, causes no shift. For the shift table, see [Section 2.31.2](#).

This can be used in complex topologies where the same filter output is needed for different circuits at different frequencies. It can also be used to change the overall gain of the Filter.

2.16.7 External Sync Enable

Setting the EXT_SYNC_EN bit causes the DPWM to use the Sync In pin as a source for Sync.

2.16.8 Cycle By Cycle B Side Active Enable

Setting the EXT_SYNC_EN bit causes the DPWM to use the Sync In pin as a source for Sync.

2.16.9 Auto Mode Switching Enable

The AUTO_MODE_SEL bit, when set, enables auto mode switching.

2.16.10 Event Update Select

The EVENT_UP_SEL enables 4 different modes of DPWM Event Updating. The DPWM needs a period of 72 nanoseconds (nominal) to update its timing for the next period. During this period, it takes the latest Filter outputs and any firmware changes to register values and recalculates the timing of the DPWM signals. **The time selected for update should NOT have any DPWM edges moving in or out of the window.**

CAUTION

If DPWM edges move in or out of the Event Update Window, those transitions may be missed, leading to DPWM pulses longer or shorter than expected.

The modes are:

- 0 - As soon as Filter calculation is done
- 1 - At end of period (starts at end of period, and extends 72ns into start of new period)
- 2 - At time set by sample trigger 2
- 3 - At both End of Period and at time set by sample trigger 2

Note that all modes except for mode 1 make the Event Update timing dependent on the position of the sample trigger. For most topologies, mode 1 is used. In this mode, deadtime, minimum pulse width or blanking time (to mask CBC/faults events) are used to keep moving edges out of the first 72nsec of the DPWM period. Please refer to the reference firmware code provided with UCD3138 EVMs for specific guidance regarding each topology.

2.16.11 Check Override

The CHECK_OVERRIDE bit, when set, overrides the internal DPWM checking. The DPWM checking will prevent invalid placement of Event settings/period settings or invalid configurations.

Setting this bit may be necessary for some topologies.

2.16.12 Global Period Enable

The GLOBAL_PERIOD_EN bit, if set, enables the use of the Global Period register to provide the period for this DPWM. It is intended for use with systems which use multiple DPWMs and have need for frequency dithering. This makes it possible to change the frequency of multiple DPWMs at one location.

For more information, see 5.8 PWM Global Period Register (PWMGLBPRD).

2.16.13 Using DPWM Pins as General Purpose I/O

There are 6 bits in DPWMCTRL1 which can be used to make the DPWM pins into general purpose I/O pins:

These bits take effect immediately.

- PWM_A_OE – 0 makes DPWMA into an output if enabled as a GPIO, 1 makes it an input
- PWM_B_OE – 0 makes DPWMB into an output if enabled as a GPIO, 1 makes it an input
- GPIO_A_VAL – Value put on DPWMA if it is an output
- GPIO_B_VAL – Value put on DPWMA if it is an output

GPIO_A_EN – 1 enables DPWMA as a GPIO

GPIO_B_EN – 1 enables DPWMB as a GPIO

In addition, there are 2 bits in the DPWMOVERFLOW register which are also used for GPIO:

- GPIO_A_IN – reports level on DPWM_A pin if used as input
- GPIO_B_IN – reports level on DPWM_B pin if used as input

2.16.14 High Resolution enable/disable

There are 5 bits which all enable/disable High Resolution Mode in some way or another

- PWM_HR_MULT_OUT_EN – Set only for multi mode
- HIRES_SCALE (2 bits) – Sets resolution of DPWM high res block
- ALL_PHASE_CLK_ENA – enables all phases or only needed phases
- HIRES_DIS – disables high res logic

As a general rule, all can be disabled when high resolution is not possible, and all should be enabled when high resolution is possible and required.

2.16.15 Asynchronous Protection Disable

The PWM_A_PROT_DIS and PWM_B_PROT_DIS bits disable asynchronous protection on their respective pins. Please consult to the reference firmware code provided with UCD3138 EVMs for specific guidance on whether to set these bits or not in the desired topology.

2.16.16 Single Frame Enable

The SFRAME_EN bit enables a single frame to be output from the DPWM. It is useful for putting out a single pulse on the DPWM, and triggering a single Front End and Filter cycle. It can be used, for example, when measuring input voltage on an isolated supply. To use Single Frame enable, first initialize the DPWM module and set the SFRAME_EN bit, and enable the DPWM globally. To actually start the single frame, set the PWM_EN bit. This will trigger a single frame.

2.17 DPWM Control Register 2

The DPWMCTRL2 register, like the other 2 control registers, has a wide selection of bit fields.

2.17.1 External Synchronization Input Divide Ratio

The SYNC_IN_DIV_RATIO bit field has 4 bits, which are initialized to zero at reset. They set the divide ratio for the synchronization both from the outside and from another DPWM. The divide ratio is the bit field value plus 1. So 0 is divide by 1, 1 divide by 2, and so on.

2.17.2 Resonant Deadtime Compensation Enable

Setting the RESON_DEADTIME_COMP_EN bit enables a dead time adjustment to the CLA Duty signal from the Filter. This compensation, which only has an effect in resonant mode, makes it possible to have constant, fixed, symmetrical dead time in resonant mode for the full range of frequencies. Generally this is the best configuration for LLC. If the bit is not set, the CLA Duty Signal is used without adjustment. This leads to DPWMA putting out 50% Duty + Cycle Adjust A, and DPWMB putting 50% - dead time + Cycle Adjust B, which cannot be made to yield a symmetrical signal on A and B over the frequency range for LLC.

2.17.3 Filter Duty Select

The FILTER_DUTY_SEL bit field has 2 bits, selecting from 3 modes. These modes select what value is sent to the Resonant Duty input of the Filter Duty multiplicand multiplexer. For example, if LoopMux.FILTERMUX.FILTER0_PER_SEL is set to 0, and the OUTPUT_MULT_SEL bits for Filter 0 are set to 3, then the FILTER_DUTY_SEL will select the Filter Duty multiplicand. This value will be multiplied by the output of the filter to scale it appropriately for the DPWM.

Bit Value	Multiplier for Filter Value	Result
0	DPWM Period	Maximum Filter output gives 100% duty cycle
1	Event 2	Maximum Filter output gives Event 2 duty cycle
2	Resonant Duty Register	Maximum Filter output gives value of Resonant Duty Register
3	Not applicable	

Mode 2 is used for LLC with Resonant Mode.

2.17.4 Ideal Diode Emulation (IDE) Enable for PWMB

Setting the IDE_DUTY_B_EN bit enables the digital IDE logic to take control of DPWM B. The IDE logic is used to make sync FETs turn off at the perfect times, emulating an ideal diode (one with lower voltage drop). See [Section 2.9](#) for more details.

2.17.5 Sample Trigger 1 Oversampling

As mentioned earlier, the DPWM module generates signals to generate a sample trigger in the Error ADC in the Front End. The DPWMs can also provide oversampling function in co-ordination with the sample triggers. The SAMP_TRIG1_OVERSAMPLE bit field permits oversampling of 2, 4, and 8 samples in the Front End. The samples are equally distributed in time, starting at the start of the period, and with the last sample at the Sample Trigger 1 point.

The values are:

- 0 – 1 sample at the sample trigger time.
- 1 – 1 sample at 1/2 of the sample trigger time, and one at the sample trigger time
- 2 – 4 samples at 1/4, 1/2, 3/4, and full sample trigger time
- 3 – 8 samples at 1/8, 1/4, 3/8, 1/2, 5/8, 3/4, 7/8 and full sample trigger

Sample trigger 1 can be used either to trigger a complete cycle with Front End and Filter, or it can be used for spatial averaging. See [Chapter 3](#), especially [Section 3.1.5](#).

2.17.6 Sample Trigger 1 Mode

In addition to oversampling, Sample Trigger 1 offers several modes of calculation. The SAMPLE_TRIG1_MODE bit field selects from 4 of these:

- 0 – Sample Trigger is set using Sample Trigger register (DPWMSAMPTRIG1)
- 1 – Sample Trigger = Event 1 + (DUTY/2) + Adaptive Offset where Duty is most recent Filter Duty
- 2 – Sample Trigger = Event 1 + (DUTY/2) + Adaptive Offset where Duty is Filter Duty from last cycle
- 3 – Sample Trigger = Event 1 + DUTY + Adaptive Offset + Fixed Offset where Filter Duty is from last cycle

On the diagrams earlier in this chapter, option 1 is called Adaptive Sample Trigger B, and option 3 is called Adaptive Sample Trigger A.

The Adaptive Offset comes from the DPWMADAPTIVE register, which is an 11 bit signed register. Without the Adaptive Offset, the sample trigger will be in the middle of the on-time for DPWMA in Normal and Multi Modes. The Adaptive Offset is used to correct for system delays in gate drivers, FET turn-on times and voltage and current sensing circuits. Using the Adaptive Offset properly can put the sample trigger in the middle of the voltage or current on-time. The adaptive offset register has the same resolution as the Sample Trigger Register – 16 nanoseconds. The adaptive register, though is not mapped the same. Bit 0 is the first usable bit. See [Section 2.31](#) for more information.

Note that using adaptive offset will cause the phase delay of the control loop to change somewhat as the duty cycle changes.

The Fixed Offset in mode 3 is a value of 4. This is added to the DPWMADAPTIVE Register and to the Event 1 and Duty Terms.

2.17.7 Sample Trigger Enable Bits

Sample Trigger 2 is only driven by the Sample Trigger 2 Register - DPWMSAMPTRIG2. Setting the SAMPLE_TRIG_2_EN bit enables it.

SAMPLE_TRIG_1_EN enables Sample Trigger 1.

2.18 Period and Event Registers

The period and event registers DPWMPRD, DPWMEV1, DPWMEV2, DPWMEV3, and DPWMEV4 have different effects in different modes. See DPWM Modes below for more information about each mode. Generally the registers work somewhat as described above in [Section 2.2](#). Often, the pulse widths are controlled by the filter, and the differences between Event Registers are used as dead times.

2.19 Phase Trigger Registers

The DPWMPHASETRIG register is a low resolution (4 ns.) register. It dictates the number of 4 ns. steps between the start of the period and the output of a sync pulse for synchronizing a slave DPWM. See [Section 2.4](#).

2.20 Cycle Adjust Registers

DPWMCYCADJA and DPWMCYCADJB are registers that are added to the Filter Duty before the DPWM pulse width is calculated. They have different effects in different modes, see the DPWM Mode sections above. They are signed high resolution registers so that the duty can be increased or decreased from the Filter value. They only have 16 bits, so they cannot adjust the full 18 bit range of the DPWM. But their range is still ± 8 milliseconds, which is typically more than a whole switching period

High resolution is 250 picosec, and the range of a signed 16 bit value is $\pm 2^{15}$. So

$$2^{15} \times 250 \text{ psec} = 8.192 \text{ msec} \quad (1)$$

2.21 Resonant Duty Register

This register is used in LLC topologies to produce the correct Filter Duty output. The Filter output is multiplied by this register to calculate Filter Duty. In the LLC reference firmware (UCD3138LLCEVM-028) it is set to 1/2 of the maximum desired period. In this case, bits 13-0 are used as an unsigned number. To enable this mode, the DPWM must be in Resonant Mode, and the FILTER_DUTY_SEL field in DPWMCTRL2 must be set to a 2.

If FILTER_DUTY_SEL is set to 0 or 1 and the DPWM is in resonant mode, the 16 bit signed contents of the register are added to the Filter Period value, and the result is used for the DPWM Period. This is another option for adjusting the resonant mode timing to match other modes across a mode shift. This mode is not currently used in any topologies.

2.22 DPWM Fault Control Register

See [Chapter 6](#) for information on the DPWMFLTCTRL register.

2.23 DPWM Overflow Register

The DPWMOVERFLOW register has, as already mentioned, 2 bits which give the input status of the DPWM pins when they are used as general purpose I/O.

It also has 6 bits which indicate that the protection logic for the DPWM has detected overflows.

2.24 DPWM Interrupt Register

The DPWMINT register has interrupt enable bits, interrupt flags, one interrupt flag clear bit, and one interrupt scale register.

For more information on the enable bits and flags related to faults, see [Section 6.11](#).

2.24.1 DPWM Period Interrupt Bits

There are three bit fields related to the Period interrupt.

PRD is the flag which indicates that there is a period interrupt occurring. It is only a strobed signal, so it is very unlikely that it will ever be read as set. If the interrupt bit is set, and no other bits are set, this means it is the period bit which has set it.

PRD_INT_EN enables the period interrupt.

PRD_INT_SCALE programs a divider for the period interrupt. The selections range from an interrupt every period to an interrupt every 256 periods. See the DPWM Reference section for the table.

Note that if the DPWM is disabled, under most circumstances, it will generate a period interrupt continuously, if the interrupt is enabled.

2.24.2 Mode Switching Interrupt Bits

There are three bit fields related to the Mode Switching Interrupt.

See Section 2.29 DPWM Auto Switch Registers, for more detail on Mode Switching.

MODE_SWITCH goes high when the DPWM has switched modes.

MODE_SWITCH_INT_EN enables this interrupt.

A rising edge on MODE_SWITCH_FLAG_CLR clears the MODE_SWITCH bit. This bit is not auto cleared, so it will be necessary to clear it with firmware before the next rising edge.

2.24.3 INT Bit

The INT bit shows that one or more of the interrupt flags is set and enabled, and the DPWM is sending an interrupt to the Central Interrupt Module (CIM). When the interrupt bits are cleared, so is the INT bit.

2.25 DPWM Counter Preset Register

If enabled, the DPWMCNTPRE register is loaded into the Period Counter at DPWM startup or on a rising sync edge. This is used for applications requiring complex synchronization and phase shifting between DPWMs. See 2.16.1 Period Counter Preset Enable for more information.

2.26 Blanking Registers

There are 4 Blanking Registers in each DPWM:

DPWMBLKABEG

DPWMBLKBEG

DPWMBLKAEND

DPWMBLKBEND

There are two blanking periods, A and B, which both have a beginning and an end, measured in 4 nanosecond steps of the period counter.

These registers are used to blank out CBC signals during noisy times of the signal, for example around hard switching. See the Fault Mux section for more information. They can also be used to align current limit response times between multiple DPWMs with different dead times.

The Blank B values are also used to generate the DPWMC signal for the IntraMux for complex topologies. See [Section 2.15.2](#).

2.27 DPWM Adaptive Sample Register

The DPWMADAPTIVE register is used in adaptive sample trigger modes. See [Section 2.17.6](#) for more information.

2.28 DPWM Fault Status Register

The DPWMFLTSTAT Register has bits which indicate faults, IDE detection, and Burst mode detection.

See [Chapter 6](#) for Faults, [Section 6.9](#) for IDE, and [Section 5.10](#) for Burst mode.

2.29 DPWM Auto Switch Registers

For an overview of what these registers do, see [Section 2.10](#). There are 4 Auto Switch threshold registers:

DPWMAUTOSWIHIUPTHRESH

DPWMAUTOSWIHILOWTHRESH

DPWMAUTOSWILOUPTHRESH

DPWMAUTOSWILOLOWTHRESH

These registers are used in topologies which dynamically switch from one DPWM mode to another, such as Phase Shifted Full Bridge and LLC. They control which one of three registers sets many of the DPWM control bits. There are 4 registers so that each of the 2 dividing lines can have hysteresis.

The three registers are:

DPWMCTRL0

AUTOCONFIGMID

AUTOCONFIGMAX

If the Filter input to the DPWM goes above DLWMAUTOSWIHIUPTHRESH, then the AUTOCONFIGMAX register is used until the Filter input goes below the DPWMAUTOSWIHILOWTHRESH register value.

Below this value the AUTOCINFIGMID control bits are used, until the Filter value goes below DPWMAUTOSWILOLOWTHRESH. Below this value, DPWMCTRL0 is used.

Mode switching is enabled by setting the AUTO_MODE_SEL bit in DPWMCTRL1. Making the waveforms transition smoothly across the mode switching boundary can be complex.

2.30 DPWM Edge PWM Generation Register

DPWMEDGEGEN is used for complex systems like phase shifted full bridge, in conjunction with the IntraMux. It enables each edge to be generated from a wide selection of sources in a very flexible manner. The options are described in [Section 2.11](#). [Section 2.31](#) shows the specific bit assignments.

High Resolution should also be disabled if the Edge Generator is enabled.

2.31 DPWM 0-3 Registers Reference

2.31.1 DPWM Control Register 0 (DPWMCTRL0)

Address 00050000 – DPWM 3 Control Register 0

Address 00070000 – DPWM 2 Control Register 0

Address 000A0000 – DPWM 1 Control Register 0

Address 000D0000 – DPWM 0 Control Register 0

Figure 2-17. DPWM Control Register 0 (DPWMCTRL0)

31				28				27				24			
PWM_B_INTRA_MUX								PWM_A_INTR4_MUX							
R/W-0000								R/W-0000							
23		22		21		20		19		18		17		16	
CBC_PWM_C_EN	MULTI_MODE_CLA_B_OFF	MULTI_MODE_CLA_A_OFF	CBC_PWM_AB_EN	CBC_ADV_CNT_EN	MIN_DUTY_MODE			MASTER_SYNC_CNTL_SEL							
R/W-000	R/W-0	R/W-0	R/W-0	R/W-0	R/W-00			R/W-0							
15		14		13		12		11		10		9		8	
MSYNC_SLAVE_EN	D_ENABLE	CBC_SYNC_CUR_LIMIT_EN	RESON_MODE_FIXED_DUTY_EN	PWM_B_FLT_POL	PWM_A_FLT_POL	BLANK_B_EN		BLANK_A_EN							
R/W-0	R/W-0	R/W-0	R/W-0	R/W-0	R/W-0	R/W-0		R/W-0							
7		4		3		2		1		0					
PWM_MODE								PWM_B_INV	PWM_A_INV	CLA_EN	PWM_EN				
R/W-0010								R/W-0	R/W-0	R/W-1	R/W-0				

LEGEND: R/W = Read/Write; R = Read only; -n = value after reset

Table 2-6. DPWM Control Register 0 (DPWMCTRL0) Register Field Descriptions

Bit	Field	Type	Reset	Description
31-28	PWM_B_INTRA_MUX	R/W	0000	Interchanges DPWM signals post edge generation 0 = Pass-through (Default) 1 = Edge-gen output, this module 2 = PWM-C, this module 3 = Crossover, this module 4 = Pass-through (DPWM n+1)A 5 = Pass-through (DPWM n+1)B 6 = Pass-through (DPWM n+1)C 7 = Pass-through (DPWM n+2)C 8 = Pass-through (DPWM n+3)C

Table 2-6. DPWM Control Register 0 (DPWMCTRL0) Register Field Descriptions (continued)

Bit	Field	Type	Reset	Description
27-24	PWM_A_INTRA_MUX	R/W	0000	Combines DPWM signals are prior to HR module 0 = Pass-through (Default) 1 = Edge-gen output, this module 2 = PWM-C, this module 3 = Crossover, this module 4 = Pass-through (DPWM n+1)A 5 = Pass-through (DPWM n+1)B 6 = Pass-through (DPWM n+1)C 7 = Pass-through (DPWM n+2)C 8 = Pass-through (DPWM n+3)C
23	CBC_PWM_C_EN	R/W	000	Sets if Fault CBC changes output waveform for PWM-C 0 = PWM-C unaffected by Fault CBC (Default) 1 = PWM-C affected by Fault CBC
22	MULTI_MODE_CLA_B_OFF	R/W	0	Configures control of PWM B output in Multi-Output Mode when CLA_ENABLE is asserted 0 = PWM B pulse width controlled by Filter Calculation (Default) 1 = PWM B pulse width controlled by Event3 and Event4 registers
21	MULTI_MODE_CLA_A_OFF	R/W	0	Configures control of PWM A output in Multi-Output Mode when CLA_ENABLE is asserted 0 = PWM A pulse width controlled by Filter Calculation (Default) 1 = PWM A pulse width controlled by Event1 and Event2 registers
20	CBC_PWM_AB_EN	R/W	0	Sets if Fault CBC changes output waveform for PWM-A and PWM-B 0 = PWM-A and PWM-B unaffected by Fault CBC (Default) 1 = PWM-A and PWM-B affected by Fault CBC
19	CBC_ADV_CNT_EN	R/W	0	Selects cycle-by-cycle of operation Normal Mode 0 = CBC disabled (Default) 1 = CBC enabled Multi and Resonant Modes 0 = PWM-A and PWM-B operate independently (Default) 1 = PWM-A and PWM-B pulse matching enabled
18-17	MIN_DUTY_MODE	R/W	00	Minimum Duty Cycle Mode 00 = Suppression of minimum duty cycles is disabled (Default) 01 = CLA value is clamped to zero when below input value is less than MIN_DUTY_LOW 10 = CLA value is clamped to MIN_DUTY_LOW register value when input value is less than MIN_DUTY_LOW
16	MASTER_SYNC_CNTL_SEL	R/W	0	Configures master sync location 0 = Master Sync controlled by Phase Trigger Register (Default) 1 = Master Sync controlled by CLA value
15	MSYNC_SLAVE_EN	R/W	0	Multi-Sync Slave Mode Control 0 = PWM not synchronized to another PWM channel (Default) 1 = Enable Multi-Sync Slave Mode, current channel will be slaved from corresponding channel
14	D_ENABLE	R/W	0	Converts CLA duty value to DPWM as period-CLA duty value 0 = Value used for event calculations if CLA Duty (Default) 1 = Value used for event calculations is period minus CLA duty value

Table 2-6. DPWM Control Register 0 (DPWMCTRL0) Register Field Descriptions (continued)

Bit	Field	Type	Reset	Description
13	CBC_SYNC_CUR_LIMIT_EN	R/W	0	Sets how current limit affects slave sync 0 = Slave sync is unaffected during current limit (Default) 1 = Slave sync is advanced during current limit.
12	RESON_MODE_FIXED_DUTY_EN	R/W	0	Configures how duty cycle is controlled in Resonance Mode 0 = Resonant mode duty cycle set by Filter duty (Default) 1 = Resonant mode duty cycle set by Auto Switch High Register
11	PWM_B_FLT_POL	R/W	0	Sets the fault output polarity during a disable condition (i.e. fault or module disabled) 0 = PWM B fault output polarity is set to low (Default) 1 = PWM B fault output polarity is set to high
10	PWM_A_FLT_POL	R/W	0	Sets the fault output polarity during a disable condition (i.e. fault or module disabled) 0 = PWM A fault output polarity is set to low (Default) 1 = PWM A fault output polarity is set to high
9	BLANK_B_EN	R/W	0	Comparator Blanking Window B Enable 0 = Comparator Blanking Window for PWM-B Disabled (Default) 1 = Comparator Blanking Window for PWM-B Enabled
8	BLANK_A_EN	R/W	0	Comparator Blanking Window A Enable 0 = Comparator Blanking Window for PWM-A Disabled (Default) 1 = Comparator Blanking Window for PWM-B Enabled
7-4	PWM_MODE	R/W	0010	DPWM Mode 0 = Normal Mode 1 = Resonant Mode 2 = Multi-Output Mode (Default) 3 = Triangular Mode 4 = Leading Mode
3	PWM_B_INV	R/W	0	PWM B Output Polarity Control 0 = Non-inverted PWM B output (Default) 1 = Inverts PWM B output
2	PWM_A_INV	R/W	0	PWM A Output Polarity Control 0 = Non-inverted PWM A output (Default) 1 = Inverted PWM A output
1	CLA_EN	R/W	1	CLA Processing Enable 0 = Generate PWM waveforms from PWM Register values 1 = Enable CLA input (Default)
0	PWM_EN	R/W	0	PWM Processing Enable 0 = Disable PWM module, outputs zero (Default) 1 = Enable PWM operation

2.31.2 DPWM Control Register 1 (DPWMCTRL1)

Address 00050004 – DPWM 3 Control Register 1

Address 00070004 – DPWM 2 Control Register 1

Address 000A0004 – DPWM 1 Control Register 1

Address 000D0004 – DPWM 0 Control Register 1

Figure 2-18. DPWM Control Register 1 (DPWMCTRL1)

31	30	29	28	27				24
PRESET_EN	SYNC_FET_EN	BURST_EN	CLA_DUTY_ADJ_EN	SYNC_OUT_DIV_SEL				
R/W-0	R/W-0	R/W-0	R/W-0	R/W-0000				
23			21	20	19	18	17	16
CLA_SCALE			EXT_SYNC_EN	CBC_BSIDE_ACTIVE_EN	AUTO_MODE_SEL	EVENT_UP_SEL		
R/W-000			R/W-0	R/W-0	R/W-0	R/W-01		
15	14	13	12	11	10	9	8	
CHECK_OVERRIDE	GLOBAL_PERIOD_EN	PWM_B_OE	PWM_A_OE	GPIO_B_VAL	GPIO_B_EN	GPIO_A_VAL	GPIO_A_EN	
R/W-1	R/W-0	R/W-0	R/W-0	R/W-0	R/W-0	R/W-0	R/W-0	
7	6	5	4	3	2	1	0	
PWM_HR_MULTI_OUT_EN	SFRAME_EN	PWM_B_PROT_DIS	PWM_A_PROT_DIS	HIRES_SCALE		ALL_PHASE_CLK_ENA	HIRES_DIS	
R/W-0	R/W-0	R/W-0	R/W-0	R/W-00		R/W-1	R/W-0	

LEGEND: R/W = Read/Write; R = Read only; -n = value after reset

Table 2-7. DPWM Control Register 1 (DPWMCTRL1) Register Field Descriptions

Bit	Field	Type	Reset	Description
31	PRESET_EN	R/W	0	Counter Preset Enable 0 = Counter reset to 0 upon detection of sync (Default) 1 = Counter preset to Preset Count Value upon detection of sync
30	SYNC_FET_EN	R/W	0	SyncFET Mode Enabled 0 = SyncFET Mode Disabled (Default) 1 = SyncFET Mode Enabled (Default)
29	BURST_EN	R/W	0	Burst (Light Load) Mode Detection Enable 0 = Burst Mode (Light Load) Detection disabled (Default) 1 = Burst Mode (Light Load) Detection enabled
28	CLA_DUTY_ADJ_EN	R/W	0	Enables CLA Duty Adjust from Current/Flux Balancing 0 = CLA Duty Adjust not enabled (Default) 1 = CLA Duty Adjust enabled

Table 2-7. DPWM Control Register 1 (DPWMCTRL1) Register Field Descriptions (continued)

Bit	Field	Type	Reset	Description
27-24	SYNC_OUT_DIV_SEL	R/W	0000	Sets the divider for generating the Sync Out pulse. 0000 = Sync Out generated on every switching cycle (Default) 0001 = Sync Out generated once every 2 switching cycles 0010 = Sync Out generated once every 3 switching cycles 1111 = Sync Out generated once every 16 switching cycles
23-21	CLA_SCALE	R/W	000	Scaling for CLA Input Data 000 = CLA Value (Default) 001 = CLA Value multiplied by 2 010 = CLA Value divided by 2 011 = CLA Value multiplied by 4 100 = CLA Value divided by 4 101 = CLA Value multiplied by 8 110 = CLA Value divided by 8 111 = CLA Value
20	EXT_SYNC_EN	R/W	0	Slave DPWM to external sync 0 = DPWM not synchronized to external sync (Default) 1 = Slave DPWM to external sync
19	CBC_BSIDE_ACTIVE_EN	R/W	0	Sets if CBC responds to Fault CBC when PWM-B is active, only available in Multi and Reson modes 0 = Response to Fault CBC when PWM-A active (Default) 1 = Response to Fault CBC when PWM-A or PWM-B active
18	AUTO_MODE_SEL	R/W	0	Auto Switching Mode Select 0 = Auto Switching Mode disabled (Default) 1 = Auto Switching Mode enabled
17-16	EVENT_UP_SEL	R/W	01	Update End Period Mode 00 = Events updated anytime 01 = Events updated at End of Period (Default) 10 = Events updated at count value equal to Sample Trigger 2 register 11 = Events updated at End of Period and Sample Trigger 2 position
15	CHECK_OVERRIDE	R/W	0	PWM Check Override 0 = DPWM checks mathematical settings within module, correct placement of Event settings/period settings. Invalid configurations are not allowed. 1 = Overrides checking for invalid configurations and turns off PWM mathematical checking functions (Default)
14	GLOBAL_PERIOD_ENGLOBAL_PERIOD_EN	R/W	0	0 = Event calculations use DPWM Period register (Default) 1 = Event calculations use Global Period register
13	PWM_B_OE	R/W	0	Direction for PWM B pin 0 = PWM B configured as output (Default) 1 = PWM B configured as input
12	PWM_A_OE	R/W	0	Direction for PWM A pin 0 = PWM A configured as output (Default) 1 = PWM A configured as input
11	GPIO_B_VAL	R/W	0	Sets value of PWM B output in GPIO mode 0 = PWM B driven low in GPIO mode (Default) 1 = PWM B driven high in GPIO mode

Table 2-7. DPWM Control Register 1 (DPWMCTRL1) Register Field Descriptions (continued)

Bit	Field	Type	Reset	Description
10	GPIO_B_EN	R/W	0	Enables GPIO mode for PWM B output 0 = PWM B in DPWM mode (Default) 1 = PWM B in GPIO mode
9	GPIO_A_VAL	R/W	0	Sets value of PWM A output in GPIO mode 0 = PWM A driven low in GPIO mode (Default) 1 = PWM A driven high in GPIO mode
8	GPIO_A_EN	R/W	0	Enables GPIO mode for PWM A output 0 = PWM A in DPWM mode (Default) 1 = PWM A in GPIO mode
7	PWM_HR_MULTIPLE_OUT_EN	R/W	0	Control bit for Hi-Res Block 0 = Disabled (Default) 1 = Enabled
6	SFRAME_EN	R/W	0	PWM Single Step Frame Mode Enable 0 = Disable Single Frame Mode (Default) 1 = Enable Single Step Frame Mode. One EADC sample is requested, CLA then Filters, then one PWM duty cycle performed, then wait on Single Frame Trigger toggle before advancing to next frame.
5	PWM_B_PROTECTION_DISABLE	R/W	0	PWM B Asynchronous Protection Disable 0 = Allows asynchronous protection to turn off PWM B Output (Default) 1 = Disables asynchronous protection from turning off PWM B Output
4	PWM_A_PROTECTION_DISABLE	R/W	0	PWM A Asynchronous Protection Disable 0 = Allows asynchronous protection to turn off PWM A Output (Default) 1 = Disables asynchronous protection from turning off PWM A Output
3-2	HIRES_SCALE	R/W	00	Determines resolution of high resolution steps 00 = Resolution of 16 phases. Full resolution enabled. Resolution step = PCLK/16 (Default) 11 = Resolution of 2 phases. Resolution step = PCLK/2 10 = Resolution of 4 phases. Resolution step = PCLK/4 01 = Resolution of 8 phases. Resolution step = PCLK/8 00 = Resolution of 16 phases. Full Resolution enabled. Resolution step = PCLK/16
1	ALL_PHASE_CLOCK_ENABLE	R/W	1	High Speed Oscillator Phase Enable 0 = Enables only required phases of clock when needed 1 = Enables all phases of high resolution clock from oscillator (Default)
0	HIRES_DISABLE	R/W	0	PWM High Resolution Disable 0 = Enable High Resolution logic (Default) 1 = Disable High Resolution logic

2.31.3 DPWM Control Register 2 (DPWMCTRL2)

Address 00050008 – DPWM 3 Control Register 2

Address 00070008 – DPWM 2 Control Register 2

Address 000A0008 – DPWM 1 Control Register 2

Address 000D0008 – DPWM 0 Control Register 2

Figure 2-19. DPWM Control Register 2 (DPWMCTRL2)

15	14	13	12	11	10	9	8
SYNC_IN_DIV_RATIO				Reserved	RESON_DEAD TIME_COMP _EN	FILTER_DUTY_SEL	
R/W-0000				R-0	R/W-0	R/W-00	
7	6	5	4	3	2	1	0
IDE_DUTY_B _EN	Reserved	SAMPLE_TRIG1 _OVERSAMPLE		SAMPLE_TRIG1_MODE		SAMPLE_TRIG _2_EN	SAMPLE_TRIG _1_EN
R/W-0	R-0	R/W-00		R/W-00		R/W-0	R/W-1

LEGEND: R/W = Read/Write; R = Read only; -n = value after reset

DTC_MODE				DTC_EN		BLANK_PCM_EN	
R/W-00				R/W-0		R/W-0	
15	14	13	12	11	10	9	8
SYNC_IN_DIV_RATIO				Reserved	RESON_DEAD TIME_COMP _EN	FILTER_DUTY_SEL	
R/W-0000				R-0	R/W-0	R/W-00	
7	6	5	4	3	2	1	0
IDE_DUTY_B _EN	Reserved	SAMPLE_TRIG1 _OVERSAMPLE		SAMPLE_TRIG1_MODE		SAMPLE_TRIG _2_EN	SAMPLE_TRIG _1_EN
R/W-0	R-0	R/W-00		R/W-00		R/W-0	R/W-1

LEGEND: R/W = Read/Write; R = Read only; -n = value after reset

Table 2-8. DPWM Control Register 2 (DPWMCTRL2) Register Field Descriptions

Bit	Field	Type	Reset	Description
15-12	SYNC_IN_DIV_RATIO	R/W	0000	Sets the number of syncs to be masked before a resync
11	Reserved	R	0	
10	RESON_DEAD TIME_COMP_EN	R/W	0	Sets the method at which High Side CLA-Duty is used in calculations 0 = CLA Duty from Filter (Default) 1 = CLA Duty from Filter minus deadtime adjustment

Table 2-8. DPWM Control Register 2 (DPWMCTRL2) Register Field Descriptions (continued)

Bit	Field	Type	Reset	Description
9-8	FILTER_DUTY_SEL	R/W	00	Sets which register is sent to the Resonant Duty input of the Filter. Settings of 0 and 1 enable the 16 bit signed value of the Resonant Duty register to be added to the Filter Period value for period adjustment in resonant mode. 0 = PWM Period Register (Default) 1 = Event 2 2 = DPWM Resonant Duty Register (Bits 13:0)
7	IDE_DUTY_B_EN	R/W	0	IDE Duty Cycle Side B Enable 0 = Disabled (Default) 1 = Enabled
6	Reserved	R	0	
5-4	SAMPLE_TRIG1_OVERSAMPLE	R/W	00	Oversample Select for Sample Trigger 1 00 = Trigger an EADC Sample at PWM Sample Trig Register value (Default) 01 = Trigger an EADC Sample at PWM Sample Trig Register value and at PWM Sample Trig Register value divided by 2 10 = Trigger a EADC Sample at PWM Sample Trig Register value, at PWM Sample Trig Register value divided by 2 and at PWM Sample Trig Register value divided by 4 11 = Trigger a EADC Sample at PWM Sample Trig Register value, at PWM Sample Trig Register value divided by 2, at PWM Sample Trig Register value divided by 4 and at PWM Sample Trig Register value divided by 8
3-2	SAMPLE_TRIG1_MODE	R/W	00	Mode select for Sample Trigger 1 00 = Trigger value is set using PWM Sample Trig Register value (Default) 01 = Trigger value is adaptive midpoint ($EV1+CLA_DUTY/2$ + Adaptive Offset) and uses current CLA value at update event 10 = Trigger value is adaptive midpoint ($EV1+CLA_DUTY/2$ + Adaptive Offset) and uses previous CLA value at update event 11 = Trigger value is adaptive midpoint ($EV1+CLA_DUTY$ + Fixed offset + Adaptive Offset) and uses current CLA value at update event
1	SAMPLE_TRIG_2_EN	R/W	0	Sample Trigger 2 Enable 0 = Disable Sample Trigger 2 (Default) 1 = Enable Sample Trigger 2
0	SAMPLE_TRIG_1_EN	R/W	1	Sample Trigger 1 Enable 0 = Disable Sample Trigger 1 1 = Enable Sample Trigger 1 (Default)

2.31.4 DPWM Period Register (DPWMPRD)

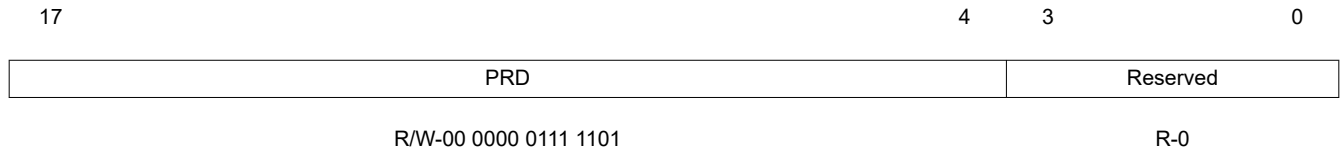
Address 0005000C – DPWM 3 Period Register

Address 0007000C – DPWM 2 Period Register

Address 000A000C – DPWM 1 Period Register

Address 000D000C – DPWM 0 Period Register

Figure 2-20. DPWM Period Register (DPWMPRD)



LEGEND: R/W = Read/Write; R = Read only; -n = value after reset

Table 2-9. DPWM Period Register (DPWMPRD) Register Field Descriptions

Bit	Field	Type	Reset	Description
17-4	PRD	R/W	00 0000 0111 1101	PWM Period. Low resolution register, last 4 bits are read-only.
3-0	Reserved	R	0	

2.31.5 DPWM Event 1 Register (DPWMEV1)

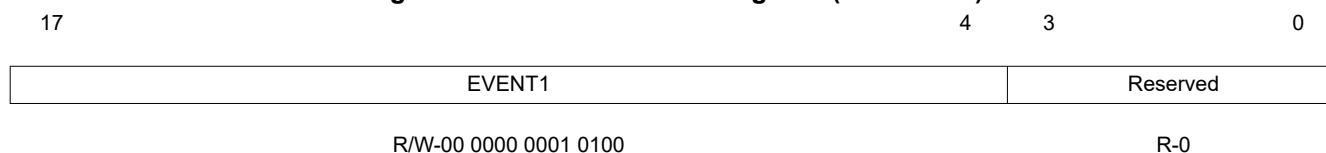
Address 00050010 – DPWM 3 Event 1 Register

Address 00070010 – DPWM 2 Event 1 Register

Address 000A0010 – DPWM 1 Event 1 Register

Address 000D0010 – DPWM 0 Event 1 Register

Figure 2-21. DPWM Event 1 Register (DPWMEV1)



LEGEND: R/W = Read/Write; R = Read only; -n = value after reset

Table 2-10. DPWM Event 1 Register (DPWMEV1) Register Field Descriptions

Bit	Field	Type	Reset	Description
17-4	EVENT1	R/W	00 0000 0001 0100	Configures the location of Event 1. Low resolution register, last 4 bits are unused.
3-0	Reserved	R	0	

2.31.6 DPWM Event 2 Register (DPWMEV2)

Address 00050014 – DPWM 3 Event 2 Register

Address 00070014 – DPWM 2 Event 2 Register

Address 000A0014 – DPWM 1 Event 2 Register

Address 000D0014 – DPWM 0 Event 2 Register

Figure 2-22. DPWM Event 2 Register (DPWMEV2)

17

0



R/W-0 0000 0011 0000 0000

LEGEND: R/W = Read/Write; R = Read only; -n = value after reset

Table 2-11. DPWM Event 2 Register (DPWMEV2) Register Field Descriptions

Bit	Field	Type	Reset	Description
17-0	EVENT2	R/W	0 0000 0011 0000 0000	Configures the location of Event 2. Value equals number of PCLK clock periods in Bits 17:4 and number of high resolution clock phases of PCL in Bits 3:0 (dependent on Bits 3:2 of DPWM Control Register 2).

2.31.7 DPWM Event 3 Register (DPWMEV3)

Address 00050018 – Loop 4 DPWM Event 3 Register

Address 00070018 – Loop 3 DPWM Event 3 Register

Address 000A0018 – Loop 2 DPWM Event 3 Register

Address 000D0018 – Loop 1 DPWM Event 3 Register

Figure 2-23. DPWM Event 3 Register (DPWMEV3)

17

0



R/W-00 0000 0011 1110 0000

LEGEND: R/W = Read/Write; R = Read only; -n = value after reset

Table 2-12. DPWM Event 3 Register (DPWMEV3) Register Field Descriptions

Bit	Field	Type	Reset	Description
17-0	EVENT3	R/W	00 0000 0011 1110 0000	Configures the location of Event 3. Value equals number of PCLK clock periods in Bits 17:4 and number of high resolution clock phases of PCL in Bits 3:0.

2.31.8 DPWM Event 4 Register (DPWMEV4)

Address 0005001C – Loop 4 DPWM Event 4 Register

Address 0007001C – Loop 3 DPWM Event 4 Register

Address 000A001C – Loop 2 DPWM Event 4 Register

Address 000D001C – Loop 1 DPWM Event 4 Register

Figure 2-24. DPWM Event 4 Register (DPWMEV4)

17

0



R/W-00 0000 0111 0000 0000

LEGEND: R/W = Read/Write; R = Read only; -n = value after reset

Table 2-13. DPWM Event 4 Register (DPWMEV4) Register Field Descriptions

Bit	Field	Type	Reset	Description
17-0	EVENT4	R/W	00 0000 0111 0000 0000	Configures the location of Event 4. Value equals number of PCLK clock periods in Bits 17:4 and number of high resolution clock phases of PCL in Bits 3:0.

2.31.9 DPWM Sample Trigger 1 Register (DPWMSAMPTRIG1)

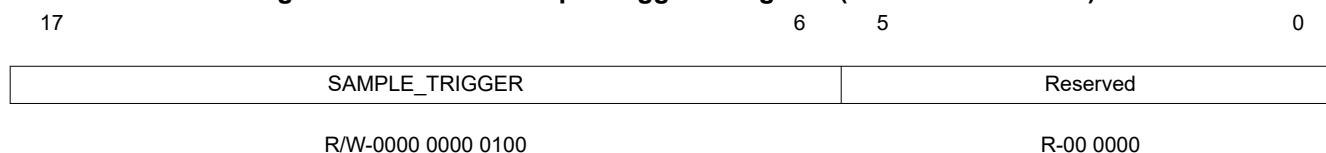
Address 00050020 – DPWM 3 Sample Trigger 1 Register

Address 00070020 – DPWM 2 Sample Trigger 1 Register

Address 000A0020 – DPWM 1 Sample Trigger 1 Register

Address 000D0020 – DPWM 0 Sample Trigger 1 Register

Figure 2-25. DPWM Sample Trigger 1 Register (DPWMSAMPTRIG1)



LEGEND: R/W = Read/Write; R = Read only; -n = value after reset

Table 2-14. DPWM Sample Trigger 1 Register (DPWMSAMPTRIG1) Register Field Descriptions

Bit	Field	Type	Reset	Description
17-6	SAMPLE_TRIGGER	R/W	0000 0000 0100	Configures the location of the sample trigger within a PWM period. Value equals the number of PCLK clock periods. Enables start of conversion for EADC. Low resolution register, last 6 bits are read-only.
5-0	Reserved	R	00 0000	

2.31.10 DPWM Sample Trigger 2 Register (DPWMSAMPTRIG2)

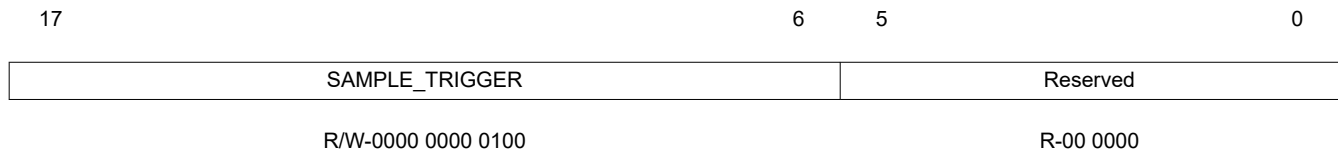
Address 00050024 – DPWM 3 Sample Trigger 2 Register

Address 00070024 – DPWM 2 Sample Trigger 2 Register

Address 000A0024 – DPWM 1 Sample Trigger 2 Register

Address 000D0024 – DPWM 0 Sample Trigger 2 Register

Figure 2-26. DPWM Sample Trigger 2 Register (DPWMSAMPTRIG2)



LEGEND: R/W = Read/Write; R = Read only; -n = value after reset

Table 2-15. DPWM Sample Trigger 2 Register (DPWMSAMPTRIG2) Register Field Descriptions

Bit	Field	Type	Reset	Description
17-6	SAMPLE_TRIGGER	R/W	0000 0000 0100	Configures the location of the sample trigger within a PWM period. Value equals the number of PCLK clock periods. Enables start of conversion for EADC. Low resolution register, last 6 bits are read-only.
5-0	Reserved	R	00 0000	

2.31.11 DPWM Phase Trigger Register (DPWMPHASETRIG)

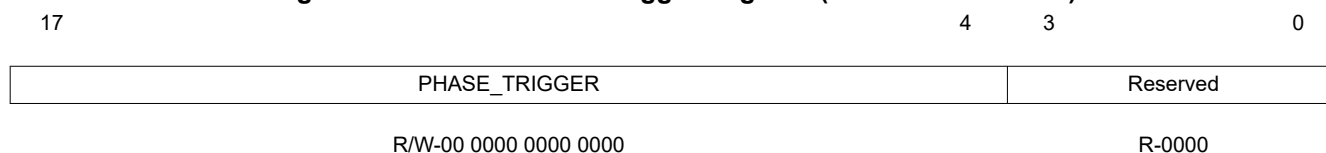
Address 00050028 – DPWM 3 Phase Trigger Register

Address 00070028 – DPWM 2 Phase Trigger Register

Address 000A0028 – DPWM 1 Phase Trigger Register

Address 000D0028 – DPWM 0 Phase Trigger Register

Figure 2-27. DPWM Phase Trigger Register (DPWMPHASETRIG)



LEGEND: R/W = Read/Write; R = Read only; -n = value after reset

Table 2-16. DPWM Phase Trigger Register (DPWMPHASETRIG) Register Field Descriptions

Bit	Field	Type	Reset	Description
17-4	PHASE_TRIGGER	R/W	00 0000 0000 0000	Configures the phase trigger delay within multi-output mode. Value equals the number of PCLK clock periods. Low resolution register, last 4 bits are read-only.
3-0	Reserved	R	0000	

2.31.12 DPWM Cycle Adjust A Register (DPWMCYCADJA)

Address 0005002C – DPWM 3 Cycle Adjust A Register

Address 0007002C – DPWM 2 Cycle Adjust A Register

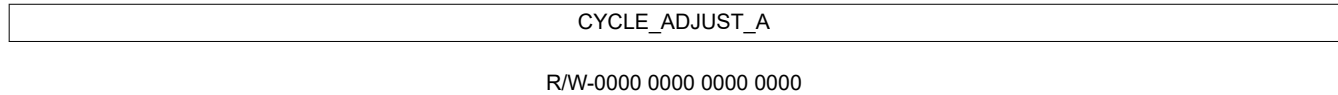
Address 000A002C – DPWM 1 Cycle Adjust A Register

Address 000D002C – DPWM 0 Cycle Adjust A Register

Figure 2-28. DPWM Cycle Adjust A Register (DPWMCYCADJA)

15

0



LEGEND: R/W = Read/Write; R = Read only; -n = value after reset

Table 2-17. DPWM Cycle Adjust A Register (DPWMCYCADJA) Register Field Descriptions

Bit	Field	Type	Reset	Description
15-0	CYCLE_ADJUST_A	R/W	0000 0000 0000 0000	Adjusts PWM A output signal. 16-bit signed number allows output signal to be delayed or sped up.

2.31.13 DPWM Cycle Adjust B Register (DPWMCYCADJB)

Address 00050030 – DPWM 3 Cycle Adjust B Register

Address 00070030 – DPWM 2 Cycle Adjust B Register

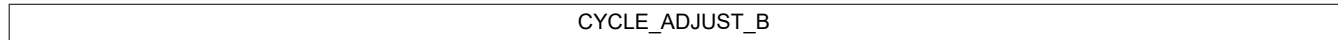
Address 000A0030 – DPWM 1 Cycle Adjust B Register

Address 000D0030 – DPWM 0 Cycle Adjust B Register

Figure 2-29. DPWM Cycle Adjust B Register (DPWMCYCADJB)

15

0



R/W-0000 0000 0000 0000

LEGEND: R/W = Read/Write; R = Read only; -n = value after reset

Table 2-18. DPWM Cycle Adjust B Register (DPWMCYCADJB) Register Field Descriptions

Bit	Field	Type	Reset	Description
15-0	CYCLE_ADJUST_B	R/W	0000 0000 0000 0000	Adjusts the PWM B output signal. 16-bit signed number allows output signal to be delayed or sped up.

2.31.14 DPWM Resonant Duty Register (DPWMRESDUTY)

Address 00050034 – DPWM 3 Resonant Duty Register

Address 00070034 – DPWM 2 Resonant Duty Register

Address 000A0034 – DPWM 1 Resonant Duty Register

Address 000D0034 – DPWM 0 Resonant Duty Register

Figure 2-30. DPWM Resonant Duty Register (DPWMRESDUTY)

15

0



R/W-0000 0000 0000 0000

LEGEND: R/W = Read/Write; R = Read only; -n = value after reset

Table 2-19. DPWM Resonant Duty Register (DPWMRESDUTY) Register Field Descriptions

Bit	Field	Type	Reset	Description
15-0	RESONANT_DUTY	R/W	0000 0000 0000 0000	Controls the DPWM duty. 16-bit signed number is used as a Filter Output Multiplier in Resonant Mode.

2.31.15 DPWM Fault Control Register (DPWMFLTCTRL)
Figure 2-31. DPWM Fault Control Register (DPWMFLTCTRL)

31	30	29	28	24			
ALL_FAULT_EN	CBC_FAULT_EN	Reserved	CBC_MAX_COUNT				
R/W-0	R/W-0	R-0	R/W-0 0000				
23	22	21	20	16			
Reserved		AB_MAX_COUNT					
R-000		R/W-0 0000					
15			12	8			
Reserved		A_MAX_COUNT					
R-000		R/W-0 0000					
7	6	5	4	3	2	1	0
Reserved		B_MAX_COUNT					
R-000		R/W-0 0000					

LEGEND: R/W = Read/Write; R = Read only; -n = value after reset

Table 2-20. DPWM Fault Control Register (DPWMFLTCTRL) Register Field Descriptions

Bit	Field	Type	Reset	Description
31	ALL_FAULT_EN	R/W	0	DPWM Fault Module enable 0 = All DPWM Fault Modules disabled (Default) 1 = All DPWM Fault Modules enabled
30	CBC_FAULT_EN	R/W	0	Cycle by cycle Fault Enable 0 = Cycle by cycle just shortens DPWM pulses 1 = Consecutive cycle by cycle events beyond CBC_MAX_COUNT will cause the DPWM to shut off as with any other fault.
29	Reserved	R	0	
28-24	CBC_MAX_COUNT	R/W	0 0000	Cycle-by-Cycle Fault Count, sets the number of received sequential faults on Cycle-by-Cycle Fault input before asserting the fault
23-21	Reserved	R	000	
20-16	AB_MAX_COUNT	R/W	0 0000	Fault AB Count, sets the number of received sequential faults on Fault AB input before asserting the fault
15-13	Reserved	R	000	
12-8	A_MAX_COUNT	R/W	0 0000	Fault A Count, sets the number of received sequential faults on Fault A input before asserting the fault
7-5	Reserved	R	000	
4-0	B_MAX_COUNT	R/W	0 0000	Fault B Count, sets the number of received sequential faults on Fault B input before asserting the fault

2.31.16 DPWM Overflow Register (DPWMOVERFLOW)

Address 0005003C – DPWM 3 Overflow Register

Address 0007003C – DPWM 2 Overflow Register

Address 000A003C – DPWM 1 Overflow Register

Address 000D003C – DPWM 0 Overflow Register

Figure 2-32. DPWM Overflow Register (DPWMOVERFLOW)

7	6	5	4	3	0
PWM_B _CHECK	PWM_A _CHECK	GPIO_B_IN	GPIO_A_IN	OVERFLOW	
R-0	R-0	R-0	R-0	R-0	

LEGEND: R/W = Read/Write; R = Read only; -n = value after reset

Table 2-21. DPWM Overflow Register (DPWMOVERFLOW) Register Field Descriptions

Bit	Field	Type	Reset	Description
7	PWM_B_CHECK	R	0	Value of PWM B internal check 0 = Passed checks 1 = Failed checks (override required to enable output)
6	PWM_A_CHECK	R	0	Value of PWM B input 0 = Passed check 1 = Failed check (override required to enable output)
5	GPIO_B_IN	R	0	Value of PWM B input 0 = Low signal on PWM B 1 = High signal on PWM B
4	GPIO_A_IN	R	0	Value of PWM A input 0 = Low signal on PWM A 1 = High value on PWM A
3-0	OVERFLOW	R	0	PWM Event 4 Overflow Status 0 = CLA Event 4 has not overflowed 1 = Overflow condition found on CLA Event 4 OVERFLOW[2] – CLA Event 4 Overflow Status 0 = PWM Event 4 has not overflowed 1 = Overflow condition found on PWM Event 4 OVERFLOW[1] – CLA Event 3 Overflow Status 0 = CLA Event 3 has not overflowed 1 = Overflow condition found on CLA Event 3 OVERFLOW[0] – CLA Event 2 Overflow Status 0 = CLA Event 2 has not overflowed 1 = Overflow condition found on CLA Event 2

2.31.17 DPWM Interrupt Register (DPWMINT)

Address 00050040 – DPWM 3 Interrupt Register

Address 00070040 – DPWM 2 Interrupt Register

Address 000A0040 – DPWM 1 Interrupt Register

Address 000D0040 – DPWM 0 Interrupt Register

Figure 2-33. DPWM Interrupt Register (DPWMINT)

22	21	20	19	18	17	16
MODE_SWITCH	FLT_A	FLT_B	FLT_AB	FLT_CBC	PRD	INT
R-0	R-0	R-0	R-0	R-0	R-0	R-0
15		12	11	10	9	8
Reserved			MODE_SWITCH_FLAG_CLR	MODE_SWITCH_FLAG_EN	MODE_SWITCH_INT_EN	FLT_A_INT_EN
R/W-0000			R/W-0	R/W-0	R/W-0	R/W-0
7	6	5	4	3		0
FLT_B_INT_EN	FLT_AB_INT_EN	FLT_CBC_INT_EN	PRD_INT_EN	PRD_INT_SCALE		
R/W-0	R/W-0	R/W-0	R/W-0	R/W-1111		

LEGEND: R/W = Read/Write; R = Read only; -n = value after reset

DTC_DISABLE	MODE_SWITCH_H	FLT_A	FLT_B	FLT_AB	FLT_CBC	PRD	INT
R-0	R-0	R-0	R-0	R-0	R-0	R-0	R-0
15		12	11	10	9	8	
Reserved			MODE_SWITCH_FLAG_CLR	MODE_SWITCH_FLAG_EN	MODE_SWITCH_INT_EN	FLT_A_INT_EN	
R/W-0000			R/W-0	R/W-0	R/W-0	R/W-0	
7	6	5	4	3		0	
FLT_B_INT_EN	FLT_AB_INT_EN	FLT_CBC_INT_EN	PRD_INT_EN	PRD_INT_SCALE			
R/W-0	R/W-0	R/W-0	R/W-0	R/W-1111			

LEGEND: R/W = Read/Write; R = Read only; -n = value after reset

Table 2-22. DPWM Interrupt Register (DPWMINT) Register Field Descriptions

Bit	Field	Type	Reset	Description
22	MODE_SWITCH	R	0	Mode Switching Flag 0 = Flag is not asserted 1 = Flag is set
21	FLT_A	R	0	Fault A Flag 0 = Flag is not asserted 1 = Flag is set
20	FLT_B	R	0	Fault B Flag 0 = Flag is not asserted 1 = Flag is set
19	FLT_AB	R	0	Fault AB Flag 0 = Flag is not asserted 1 = Flag is set
18	FLT_CBC	R	0	Fault Cycle-by-Cycle Flag 0 = Flag is not asserted 1 = Flag is set
17	PRD	R	0	PWM Period Interrupt Flag 0 = PWM Period Interrupt Flag is not asserted 1 = PWM Period Interrupt Flag is set
16	INT	R	0	Interrupt Out 0 = INT is not asserted 1 = INT is set
15-12	Reserved	R	0000	
11	MODE_SWITCH_F LAG_CLR	R/W	0	Mode Switching Flag Clear 0 = (Default) 1 = Rising edge. 0-1 clears MODE_SWITCH bit.
10	MODE_SWITCH_F LAG_EN	R/W	0	Mode Switching Flag Enable 0 = Disables generation of flag for Mode Switching (Default) 1 = Enables generation of flag for Mode Switching
9	MODE_SWITCH _INT_EN	R/W	0	Mode Switching Interrupt Enable 0 = Interrupt is not enabled (Default) 1 = Interrupt is enabled
8	FLT_A_INT_EN	R/W	0	Fault A Flag Interrupt Enable 0 = Interrupt is not enabled (Default) 1 = Interrupt is enabled
7	FLT_B_INT_EN	R/W	0	Fault B Flag Interrupt Enable 0 = Interrupt is not enabled (Default) 1 = Interrupt is enabled
6	FLT_AB_INT_EN	R/W	0	Fault AB Flag Interrupt Enable 0 = Interrupt is not enabled (Default) 1 = Interrupt is enabled
5	FLT_CBC_INT_EN	R/W	0	Fault Cycle-by-Cycle Flag Interrupt Enable 0 = Interrupt is not enabled (Default) 1 = Interrupt is enabled
4	PRD_INT_EN	R/W	0	PWM Period Interrupt Enable 0 = Disables generation of periodic PWM interrupt (Default) 1 = Enables generation of periodic PWM interrupt

Table 2-22. DPWM Interrupt Register (DPWMINT) Register Field Descriptions (continued)

Bit	Field	Type	Reset	Description
3-0	PRD_INT_SCALE	R/W	1111	This value scales the period interrupt signal from an interrupt every switching cycle to 256 switching cycles 0000 = Period Interrupt generated every switching cycle (Default) 0001 = Period Interrupt generated once every 2 switching cycles 0010 = Period Interrupt generated once every 4 switching cycles 0011 = Period Interrupt generated once every 6 switching cycles 0100 = Period Interrupt generated once every 8 switching cycles 0101 = Period Interrupt generated once every 16 switching cycles 0110 = Period Interrupt generated once every 32 switching cycles 0111 = Period Interrupt generated once every 48 switching cycles 1000 = Period Interrupt generated once every 64 switching cycles 1001 = Period Interrupt generated once every 80 switching cycles 1010 = Period Interrupt generated once every 96 switching cycles 1011 = Period Interrupt generated once every 128 switching cycles 1100 = Period Interrupt generated once every 160 switching cycles 1101 = Period Interrupt generated once every 192 switching cycles 1110 = Period Interrupt generated once every 224 switching cycles 1111 = Period Interrupt generated once every 256 switching cycles

2.31.18 DPWM Counter Preset Register (DPWMCNTPRE)

Address 00050044 – DPWM 3 Counter Preset Register

Address 00070044 – DPWM 2 Counter Preset Register

Address 000A0044 – DPWM 1 Counter Preset Register

Address 000D0044 – DPWM 0 Counter Preset Register

Figure 2-34. DPWM Counter Preset Register (DPWMCNTPRE)



LEGEND: R/W = Read/Write; R = Read only; -n = value after reset

Table 2-23. DPWM Counter Preset Register (DPWMCNTPRE) Register Field Descriptions

Bit	Field	Type	Reset	Description
17-4	PRESET	R/W	00 0000 0000 0000	Counter preset value, counter reset to this value upon detection of sync when PRESET_EN bit in DPWMCTRL2 is enabled. Low resolution register, last 4 bits are read-only.
3-0	Reserved	R	0000	

2.31.19 DPWM Blanking A Begin Register (DPWMBLKABEG)

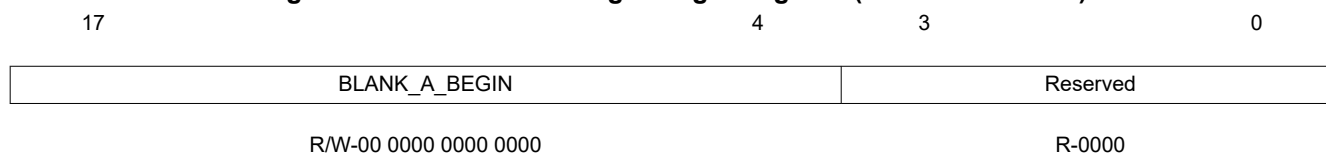
Address 00050048 – DPWM 3 Blanking A Begin Register

Address 00070048 – DPWM 2 Blanking A Begin Register

Address 000A0048 – DPWM 1 Blanking A Begin Register

Address 000D0048 – DPWM 0 Blanking A Begin Register

Figure 2-35. DPWM Blanking A Begin Register (DPWMBLKABEG)



LEGEND: R/W = Read/Write; R = Read only; -n = value after reset

Table 2-24. DPWM Blanking A Begin Register (DPWMBLKABEG) Register Field Descriptions

Bit	Field	Type	Reset	Description
17-4	BLANK_A_BEGIN	R/W	00 0000 0000 0000	Configures start of Comparator Blanking Window A. Low resolution register, last 4 bits are read-only.
3-0	Reserved	R	0000	

2.31.20 DPWM Blanking A End Register (DPWMBLKAEND)

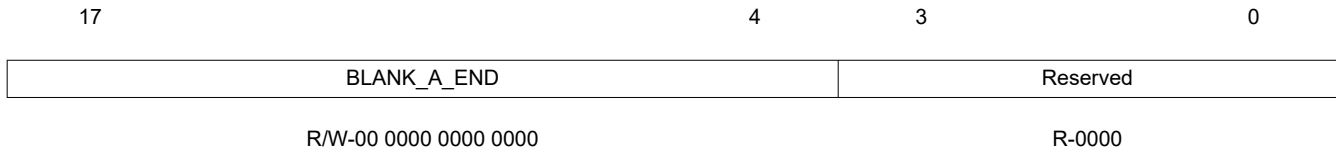
Address 0005004C – DPWM 3 Blanking A End Register

Address 0007004C – DPWM 2 Blanking A End Register

Address 000A004C – DPWM 1 Blanking A End Register

Address 000D004C – DPWM 0 Blanking A End Register

Figure 2-36. DPWM Blanking A End Register (DPWMBLKAEND)



LEGEND: R/W = Read/Write; R = Read only; -n = value after reset

Table 2-25. DPWM Blanking A End Register (DPWMBLKAEND) Register Field Descriptions

Bit	Field	Type	Reset	Description
17-4	BLANK_A_END	R/W	00 0000 0000 0000	Configures end of Comparator Blanking Window A. Low resolution register, last 4 bits are read-only.
3-0	Reserved	R	0000	

2.31.22 DPWM Blanking B End Register (DPWMBLKBEND)

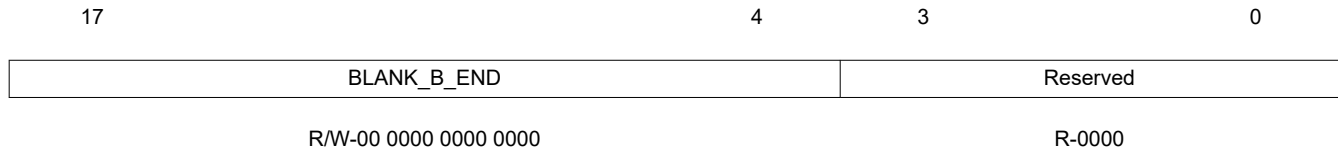
Address 00050054 – DPWM 3 Blanking B End Register

Address 00070054 – DPWM 2 Blanking B End Register

Address 000A0054 – DPWM 1 Blanking B End Register

Address 000D0054 – DPWM 0 Blanking B End Register

Figure 2-38. DPWM Blanking B End Register (DPWMBLKBEND)



LEGEND: R/W = Read/Write; R = Read only; -n = value after reset

Table 2-27. DPWM Blanking B End Register (DPWMBLKBEND) Register Field Descriptions

Bit	Field	Type	Reset	Description
17-4	BLANK_B_END	R/W	00 0000 0000 0000	Configures end of Comparator Blanking Window B. Low resolution register, last 4 bits are read-only. Can also define the end of the DPWMC pulse.
3-0	Reserved	R	0000	

2.31.23 DPWM Minimum Duty Cycle High Register (DPWMMINDUTYHI)

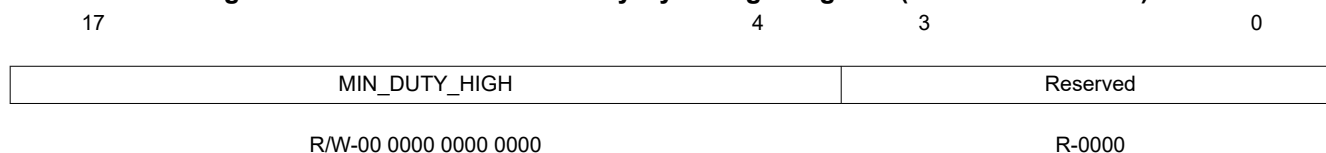
Address 00050058 – DPWM 3 Minimum Duty Cycle High Register

Address 00070058 – DPWM 2 Minimum Duty Cycle High Register

Address 000A0058 – DPWM 1 Minimum Duty Cycle High Register

Address 000D0058 – DPWM 0 Minimum Duty Cycle High Register

Figure 2-39. DPWM Minimum Duty Cycle High Register (DPWMMINDUTYHI)



LEGEND: R/W = Read/Write; R = Read only; -n = value after reset

Table 2-28. DPWM Minimum Duty Cycle High Register (DPWMMINDUTYHI) Register Field Descriptions

Bit	Field	Type	Reset	Description
17-4	MIN_DUTY_HIGH	R/W	00 0000 0000 0000	Configures upper threshold for minimum duty cycle logic. Low resolution register, last 4 bits are read-only.
3-0	Reserved	R	0000	

2.31.25 DPWM Adaptive Sample Register (DPWMADAPTIVE)

Address 00050060 – DPWM 3 Adaptive Sample Register

Address 00070060 – DPWM 2 Adaptive Sample Register

Address 000A0060 – DPWM 1 Adaptive Sample Register

Address 000D0060 – DPWM 0 Adaptive Sample Register

Figure 2-41. DPWM Adaptive Sample Register (DPWMADAPTIVE)



LEGEND: R/W = Read/Write; R = Read only; -n = value after reset

Table 2-30. DPWM Adaptive Sample Register (DPWMADAPTIVE) Register Field Descriptions

Bit	Field	Type	Reset	Description
11-0	ADAPT_SAMP	R/W	0000 0000 0000	Configures Adaptive Sample Adjust

2.31.26 DPWM Fault Status (DPWMFLTSTAT)

Address 00050064 – DPWM 3 Fault Input Status Register

Address 00070064 – DPWM 2 Fault Input Status Register

Address 000A0064 – DPWM 1 Fault Input Status Register

Address 000D0064 – DPWM 0 Fault Input Status Register

Figure 2-42. DPWM Fault Status (DPWMFLTSTAT)

5	4	3	2	1	0
BURST	IDE_DETECT	FLT_A	FLT_B	FLT_AB	FLT_CBC
R-0	R-0	R-0	R-0	R-0	R-0

LEGEND: R/W = Read/Write; R = Read only; -n = value after reset

Table 2-31. DPWM Fault Status (DPWMFLTSTAT) Register Field Descriptions

Bit	Field	Type	Reset	Description
5	BURST	R	0	Burst Mode Detection Status 0 = Burst Mode Detection is not asserted 1 = Burst Mode Detection is set
4	IDE_DETECT	R	0	IDE Detection Status (from Analog Comparators) 0 = IDE Detection is not asserted 1 = IDE Detection is set
3	FLT_A	R	0	Fault A Detection Status 0 = Fault A Detection is not asserted 1 = Fault A Detection is set
2	FLT_B	R	0	Fault B Detection Status 0 = Fault B Detection is not asserted 1 = Fault B Detection is set
1	FLT_AB	R	0	Fault AB Detection Status 0 = Fault AB Detection is not asserted 1 = Fault AB Detection is set
0	FLT_CBC	R	0	Current Limit Detection Status 0 = Current Limit Detection is not asserted 1 = Current Limit Detection is set

2.31.27 DPWM Auto Switch High Upper Thresh Register (DPWMAUTOSWHIUPTHRESH)

Address 00050068 – DPWM 3 Auto Switch High Upper Thresh Register

Address 00070068 – DPWM 2 Auto Switch High Upper Thresh Register

Address 000A0068 – DPWM 1 Auto Switch High Upper Thresh Register

Address 000D0068 – DPWM 0 Auto Switch High Upper Thresh Register

Figure 2-43. DPWM Auto Switch High Upper Thresh Register (DPWMAUTOSWHIUPTHRESH)

17 4 3 0

17	4	3	0
AUTO_SWITCH_HIGH_UPPER		Reserved	
R/W-00 0000 0000 0000		R-0000	

LEGEND: R/W = Read/Write; R = Read only; -n = value after reset

Table 2-32. DPWM Auto Switch High Upper Thresh Register (DPWMAUTOSWHIUPTHRESH) Register Field Descriptions

Bit	Field	Type	Reset	Description
17-4	AUTO_SWITCH_HIGH_UPPER	R/W	00 0000 0000 0000	Configures upper threshold for Auto Switch Mode High operation. Mode switching does not occur between Auto Switch High Upper and Auto Switch High Lower thresholds. Low resolution register, last 4 bits are read-only.
3-0	Reserved	R	0000	

2.31.28 DPWM Auto Switch High Lower Thresh Register (DPWMAUTOSWHILOWTHRESH)

Address 0005006C – DPWM 3 Auto Switch High Lower Thresh Register

Address 0007006C – DPWM 2 Auto Switch High Lower Thresh Register

Address 000A006C – DPWM 1 Auto Switch High Lower Thresh Register

Address 000D006C – DPWM 0 Auto Switch High Lower Thresh Register

Figure 2-44. DPWM Auto Switch High Lower Thresh Register (DPWMAUTOSWHILOWTHRESH)

17 4 3 0

AUTO_SWITCH_HIGH_LOWER	Reserved
R/W-00 0000 0000 0000	R-0000

LEGEND: R/W = Read/Write; R = Read only; -n = value after reset

Table 2-33. DPWM Auto Switch High Lower Thresh Register (DPWMAUTOSWHILOWTHRESH) Register Field Descriptions

Bit	Field	Type	Reset	Description
17-4	AUTO_SWITCH_HIGH_UPPER	R/W	00 0000 0000 0000	Configures lower threshold for Auto Switch Mode High operation. Mode switching does not occur between Auto Switch High Upper and Auto Switch High Lower thresholds. Low resolution register, last 4 bits are read-only.
3-0	Reserved	R	0000	

2.31.29 DPWM Auto Switch Low Upper Thresh Register (DPWMAUTOSWLOUPHRESH)

Address 00050070 – DPWM 3 Auto Switch Low Upper Thresh Register

Address 00070070 – DPWM 2 Auto Switch Low Upper Thresh Register

Address 000A0070 – DPWM 1 Auto Switch Low Upper Thresh Register

Address 000D0070 – DPWM 0 Auto Switch Low Upper Thresh Register

Figure 2-45. DPWM Auto Switch Low Upper Thresh Register (DPWMAUTOSWLOUPHRESH)

17 4 3 0

AUTO_SWITCH_LOW_UPPER	Reserved
R/W-00 0000 0000 0000	R-0000

LEGEND: R/W = Read/Write; R = Read only; -n = value after reset

Table 2-34. DPWM Auto Switch Low Upper Thresh Register (DPWMAUTOSWLOUPHRESH) Register Field Descriptions

Bit	Field	Type	Reset	Description
17-4	AUTO_SWITCH_LOW_UPPER	R/W	00 0000 0000 0000	Configures upper threshold for Auto Switch Mode Low operation. Mode switching does not occur between Auto Switch Low Upper and Auto Switch Low Lower thresholds. Low resolution register, last 4 bits are read-only.
3-0	Reserved	R	0000	

2.31.30 DPWM Auto Switch Low Lower Thresh Register (DPWMAUTOSWLOLOWTHRESH)

Address 00050074 – DPWM 3 Auto Switch Low Lower Thresh Register

Address 00070074 – DPWM 2 Auto Switch Low Lower Thresh Register

Address 000A0074 – DPWM 1 Auto Switch Low Lower Thresh Register

Address 000D0074 – DPWM 0 Auto Switch Low Lower Thresh Register

Figure 2-46. DPWM Auto Switch Low Lower Thresh Register (DPWMAUTOSWLOLOWTHRESH)

17 4 3 0

AUTO_SWITCH_LOW_LOWER	Reserved
R/W-00 0000 0000 0000	R-0000

LEGEND: R/W = Read/Write; R = Read only; -n = value after reset

Table 2-35. DPWM Auto Switch Low Lower Thresh Register (DPWMAUTOSWLOLOWTHRESH) Register Field Descriptions

Bit	Field	Type	Reset	Description
17-4	AUTO_SWITCH_LOW_LOWER	R/W	00 0000 0000 0000	Configures lower threshold for Auto Switch Mode Low operation. Mode switching does not occur between Auto Switch Low Upper and Auto Switch Low Lower thresholds. Low resolution register, last 4 bits are read-only.
3-0	Reserved	R	0000	

2.31.31 DPWM Auto Config Max Register (DPWMAUTOMAX)

Address 00050078 – DPWM 3 Auto Config Max Register

Address 00070078 – DPWM 2 Auto Config Max Register

Address 000A0078 – DPWM 1 Auto Config Max Register

Address 000D0078 – DPWM 0 Auto Config Max Register

Figure 2-47. DPWM Auto Config Max Register (DPWMAUTOMAX)

31				28				27				24			
PWM_B_INTRA_MUX								PWM_A_INTRA_MUX							
R/W-000								R/W-000							
23		22		21		20		19		18		17		16	
CBC_PWM_C_EN	MULTI_MODE_CLA_B_OFF	Reserved		CBC_PWM_AB_EN	CBC_ADV_CNT_EN	Reserved		Reserved		Reserved		MASTER_SYNC_CNTL_SEL		Reserved	
R/W-000	R/W-0	R-0		R/W-0	R/W-0	R-0		R-0		R-0		R/W-0		R/W-0	
15		14		13		12		11		10		9		8	
Reserved				CBC_SYNC_CUR_LIMIT_EN	RESON_MODE_FIXED_DUTY_EN	Reserved				Reserved					
R-0				R/W-0	R/W-0	R-0000 0				R-0000 0					
7		6		5		4		3		2		1		0	
Reserved		PWM_MODE				Reserved				CLA_EN		Reserved			
R-0000 0		R/W-00				R-00				R/W-0		R-0			

LEGEND: R/W = Read/Write; R = Read only; -n = value after reset

Table 2-36. DPWM Auto Config Max Register (DPWMAUTOMAX) Register Field Descriptions

Bit	Field	Type	Reset	Description
31-28	PWM_B_INTRA_MUX	R/W	000	Interchanges DPWM signals post edge generation 0 = Pass-through (Default) 1 = Edge-gen output, this module 2 = PWM-C, this module 3 = Crossover, this module 4 = Pass-through (DPWM n+1)A 5 = Pass-through (DPWM n+1)B 6 = Pass-through (DPWM n+1)C 7 = Pass-through (DPWM n+2)C 8 = Pass-through (DPWM n+3)C

Table 2-36. DPWM Auto Config Max Register (DPWMAUTOMAX) Register Field Descriptions (continued)

Bit	Field	Type	Reset	Description
27-24	PWM_A_INTRA_MUX	R/W	000	Combines DPWM signals are prior to HR module 0 = Pass-through (Default) 1 = Edge-gen output, this module 2 = PWM-C, this module 3 = Crossover, this module 4 = Pass-through (DPWM n+1)A 5 = Pass-through (DPWM n+1)B 6 = Pass-through (DPWM n+1)C 7 = Pass-through (DPWM n+2)C 8 = Pass-through (DPWM n+3)C
23	CBC_PWM_C_EN	R/W	000	Sets if Fault CBC changes output waveform for PWM-C 0 = PWM-C unaffected by Fault CBC (Default) 1 = PWM-C affected by Fault CBC
22	CBC_PWM_C_EN	R/W	0	Configures control of PWM B output in Multi-Output Mode when CLA_ENABLE is asserted 0 = PWM B pulse width controlled by Filter Calculation (Default) 1 = PWM B pulse width controlled by Event3 and Event4 registers
21	Reserved	R	0	
20	CBC_PWM_AB_EN	R/W	0	Sets if Fault CBC changes output waveform for PWM-A and PWM-B 0 = PWM-A and PWM-B unaffected by Fault CBC (Default) 1 = PWM-A and PWM-B affected by Fault CBC
19	CBC_ADV_CNT_EN	R/W	0	Selects cycle-by-cycle of operation Normal Mode 0 = CBC disabled (Default) 1 = CBC enabled Multi and Resonant Modes 0 = PWM-A and PWM-B operate independently (Default) 1 = PWM-A and PWM-B pulse matching enabled
18-17	Reserved	R	0	
16	MASTER_SYNC_CNTL_SEL	R/W	0	Configures master sync location 0 = Master Sync controlled by Phase Trigger Register (Default) 1 = Master Sync controlled by CLA value
15-14	Reserved	R	0	
13	CBC_SYNC_CUR_LIMIT_EN	R/W	0	Sets how current limit affects slave sync 0 = Slave sync is unaffected during current limit (Default) 1 = Slave sync is advanced during current limit.
12	RESON_MODE_FIXED_DUTY_EN	R/W	0	Configures how duty cycle is controlled in Resonance Mode 0 = Resonant mode duty cycle set by Filter duty (Default) 1 = Resonant mode duty cycle set by Auto Switch High Register
11-7	Reserved	R	0000 0	
6-4	PWM_MODE	R/W	000	DPWM Mode 0 = Normal Mode (Default) 1 = Resonant Mode 2 = Multi-Output Mode 3 = Triangular Mode 4 = Leading Mode
3-2	Reserved	R	00	

Table 2-36. DPWM Auto Config Max Register (DPWMAUTOMAX) Register Field Descriptions (continued)

Bit	Field	Type	Reset	Description
1	CLA_EN	R/W	0	CLA Processing Enable 0 = Generate PWM waveforms from PWM Register values (Default) 1 = Enable CLA input
0	Reserved	R	0	

2.31.32 DPWM Auto Config Mid Register (DPWMAUTOMID)

Address 0005007C – DPWM 3 Auto Config Mid Register

Address 0007007C – DPWM 2 Auto Config Mid Register

Address 000A007C – DPWM 1 Auto Config Mid Register

Address 000D007C – DPWM 0 Auto Config Mid Register

Figure 2-48. DPWM Auto Config Mid Register (DPWMAUTOMID)

31				28				27				24			
PWM_B_INTRA_MUX								PWM_A_INTRA_MUX							
R/W-000								R/W-000							
23		22		21		20		19		18		17		16	
CBC_PWM_C_EN	MULTI_MODE_CLA_B_OFF	Reserved		CBC_PWM_AB_EN	CBC_ADV_CNT_EN	Reserved		Reserved		Reserved		MASTER_SYNC_CNTL_SEL		Reserved	
R/W-0	R/W-0	R-0		R/W-0	R/W-0	R-0		R-0		R-0		R/W-0		R/W-0	
15		14		13		12		11		10		9		8	
Reserved				CBC_SYNC_CUR_LIMIT_EN		RESON_MODE_FIXED_DUTY_EN		Reserved							
R-0		R/W-0		R/W-0		R-0000 0									
7		6		5		4		3		2		1		0	
Reserved		PWM_MODE				Reserved				CLA_EN		Reserved			
R-0000 0		R/W-000				R-00				R/W-1		R-0			

LEGEND: R/W = Read/Write; R = Read only; -n = value after reset

Table 2-37. DPWM Auto Config Mid Register (DPWMAUTOMID) Register Field Descriptions

Bit	Field	Type	Reset	Description
31-28	PWM_B_INTRA_MUX	R/W	000	Interchanges DPWM signals post edge generation 0 = Pass-through (Default) 1 = Edge-gen output, this module 2 = PWM-C, this module 3 = Crossover, this module 4 = Pass-through (DPWM n+1)A 5 = Pass-through (DPWM n+1)B 6 = Pass-through (DPWM n+1)C 7 = Pass-through (DPWM n+2)C 8 = Pass-through (DPWM n+3)C

Table 2-37. DPWM Auto Config Mid Register (DPWMAUTOMID) Register Field Descriptions (continued)

Bit	Field	Type	Reset	Description
27-24	PWM_A_INTRA_MUX	R/W	000	Combines DPWM signals are prior to HR module 0 = Pass-through (Default) 1 = Edge-gen output, this module 2 = PWM-C, this module 3 = Crossover, this module 4 = Pass-through (DPWM n+1)A 5 = Pass-through (DPWM n+1)B 6 = Pass-through (DPWM n+1)C 7 = Pass-through (DPWM n+2)C 8 = Pass-through (DPWM n+3)C
23	CBC_PWM_C_EN	R/W	000	Sets if Fault CBC changes output waveform for PWM-C 0 = PWM-C unaffected by Fault CBC (Default) 1 = PWM-C affected by Fault CBC
22	MULTI_MODE_CLA_B_OFF	R/W	0	Configures control of PWM B output in Multi-Output Mode when CLA_ENABLE is asserted 0 = PWM B pulse width controlled by Filter Calculation (Default) 1 = PWM B pulse width controlled by Event3 and Event4 registers
21	Reserved	R	0	
20	CBC_PWM_AB_EN	R/W	0	Sets if Fault CBC changes output waveform for PWM-A and PWM-B 0 = PWM-A and PWM-B unaffected by Fault CBC (Default) 1 = PWM-A and PWM-B affected by Fault CBC
19	CBC_ADV_CNT_EN	R/W	0	Selects cycle-by-cycle of operation Normal Mode 0 = CBC disabled (Default) 1 = CBC enabled Multi and Resonant Modes 0 = PWM-A and PWM-B operate independently (Default) 1 = PWM-A and PWM-B pulse matching enabled
18-17	Reserved	R	00	
16	MASTER_SYNC_CNTL_SEL	R/W	0	Configures master sync location 0 = Master Sync controlled by Phase Trigger Register (Default) 1 = Master Sync controlled by CLA value
15-14	Reserved	R	00	
13	CBC_SYNC_CUR_LIMIT_EN	R/W	0	Sets how current limit affects slave sync 0 = Slave sync is unaffected during current limit (Default) 1 = Slave sync is advanced during current limit.
12	RESON_MODE_FIXED_DUTY_EN	R/W	0	Configures how duty cycle is controlled in Resonance Mode 0 = Resonant mode duty cycle set by Filter duty (Default) 1 = Resonant mode duty cycle set by Auto Switch High Register
11-7	Reserved	R	0000 0	
6-4	PWM_MODE	R/W	000	DPWM Mode 0 = Normal Mode (Default) 1 = Resonant Mode 2 = Multi-Output Mode 3 = Triangular Mode 4 = Leading Mode
3-2	Reserved	R	00	

Table 2-37. DPWM Auto Config Mid Register (DPWMAUTOMID) Register Field Descriptions (continued)

Bit	Field	Type	Reset	Description
1	CLA_EN	R/W	1	CLA Processing Enable 0 = Generate PWM waveforms from PWM Register values 1 = Enable CLA input (Default)
0	Reserved	R	0	

2.31.33 DPWM Edge PWM Generation Control Register (DPWMEDGEGEN)

Address 00050080 – DPWM 3 Edge PWM Generation Control Register

Address 00070080 – DPWM 2 Edge PWM Generation Control Register

Address 000A0080 – DPWM 1 Edge PWM Generation Control Register

Address 000D0080 – DPWM 0 Edge PWM Generation Control Register

Figure 2-49. DPWM Edge PWM Generation Control Register (DPWMEDGEGEN)

16	15	14	13	12	11	10	9	8
EDGE_EN	Reserved	A_ON_EDGE			Reserved	A_OFF_EDGE		
R/W-0	R-0	R/W-000			R-0	R/W-001		
7	6	5	4	3	2	1	0	
Reserved	B_ON_EDGE			Reserved	B_OFF_EDGE			
R-0	R/W-010			R-0	R/W-011			

LEGEND: R/W = Read/Write; R = Read only; -n = value after reset

Table 2-38. DPWM Edge PWM Generation Control Register (DPWMEDGEGEN) Register Field Descriptions

Bit	Field	Type	Reset	Description
16	EDGE_EN	R/W	0	Enables edge generate module. When combining dpwm's, all modules must have this bit enabled.
15	Reserved	R	0	
14-12	A_ON_EDGE	R/W	000	Select input edge to trigger A ON output edge 0 = Current DPWM posedge A 1 = Current DPWM negedge A 2 = Current DPWM posedge B 3 = Current DPWM negedge B 4 = Below (n+1) DPWM posedge A 5 = Below (n+1) DPWM negedge A 6 = Below (n+1) DPWM posedge B 7 = Below (n+1) DPWM negedge B
11	Reserved	R	0	
10-8	A_OFF_EDGE	R/W	001	Select input edge to trigger A OFF output edge 0 = Current DPWM posedge A 1 = Current DPWM negedge A 2 = Current DPWM posedge B 3 = Current DPWM negedge B 4 = Below (n+1) DPWM posedge A 5 = Below (n+1) DPWM negedge A 6 = Below (n+1) DPWM posedge B 7 = Below (n+1) DPWM negedge B
7	Reserved	R	0	

Table 2-38. DPWM Edge PWM Generation Control Register (DPWMEDGEGEN) Register Field Descriptions (continued)

Bit	Field	Type	Reset	Description
6-4	B_ON_EDGE	R/W	010	Select input edge to trigger B ON output edge 0 = Current DPWM posedge A = Current DPWM posedge A 1 = Current DPWM negedge A 2 = Current DPWM posedge B 3 = Current DPWM negedge B 4 = Below (n+1) DPWM posedge A 5 = Below (n+1) DPWM negedge A 6 = Below (n+1) DPWM posedge B 7 = Below (n+1) DPWM negedge B
3	Reserved	R	0	
2-0	B_OFF_EDGE	R/W	011	Select input edge to trigger B OFF output edge 0 = Current DPWM posedge A 1 = Current DPWM negedge A 2 = Current DPWM posedge B 3 = Current DPWM negedge B 4 = Below (n+1) DPWM posedge A 5 = Below (n+1) DPWM negedge A 6 = Below (n+1) DPWM posedge B 7 = Below (n+1) DPWM negedge B

2.31.34 DPWM Filter Duty Read Register (DPWMFILTERDUTYREAD)

Address 00050084 – DPWM 3 Filter Duty Read Register

Address 00070084 – DPWM 2 Filter Duty Read Register

Address 000A0084 – DPWM 1 Filter Duty Read Register

Address 000D0084 – DPWM 0 Filter Duty Read Register

Figure 2-50. DPWM Filter Duty Read Register (DPWMFILTERDUTYREAD)



LEGEND: R/W = Read/Write; R = Read only; -n = value after reset

Table 2-39. DPWM Filter Duty Read Register (DPWMFILTERDUTYREAD) Register Field Descriptions

Bit	Field	Type	Reset	Description
17-0	FILTER_DUTY	R	0	Filter Duty value received by DPWM Module

2.31.35 DPWM BIST Status Register (DPWMBISTSTAT)

Address 00050088 – DPWM 3 BIST Status Register

Address 00070088 – DPWM 2 BIST Status Register

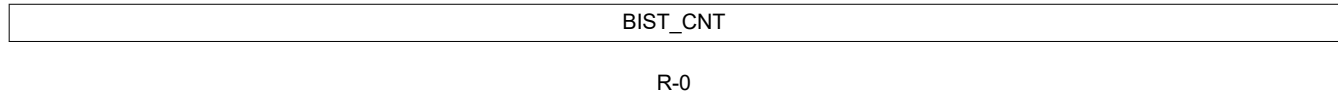
Address 000A0088 – DPWM 1 BIST Status Register

Address 000D0088 – DPWM 0 BIST Status Register

Figure 2-51. DPWM BIST Status Register (DPWMBISTSTAT)

14

0



LEGEND: R/W = Read/Write; R = Read only; -n = value after reset

Table 2-40. DPWM BIST Status Register (DPWMBISTSTAT) Register Field Descriptions

Bit	Field	Type	Reset	Description
14-0	BIST_CNT	R	0	BIST Count accumulated during BIST test



There are 3 Front-End modules available in UCD3138 (Front End 0, 1, 2). Here is a simplified block diagram of the Front End showing an accurate representation of the block's overall functionality:

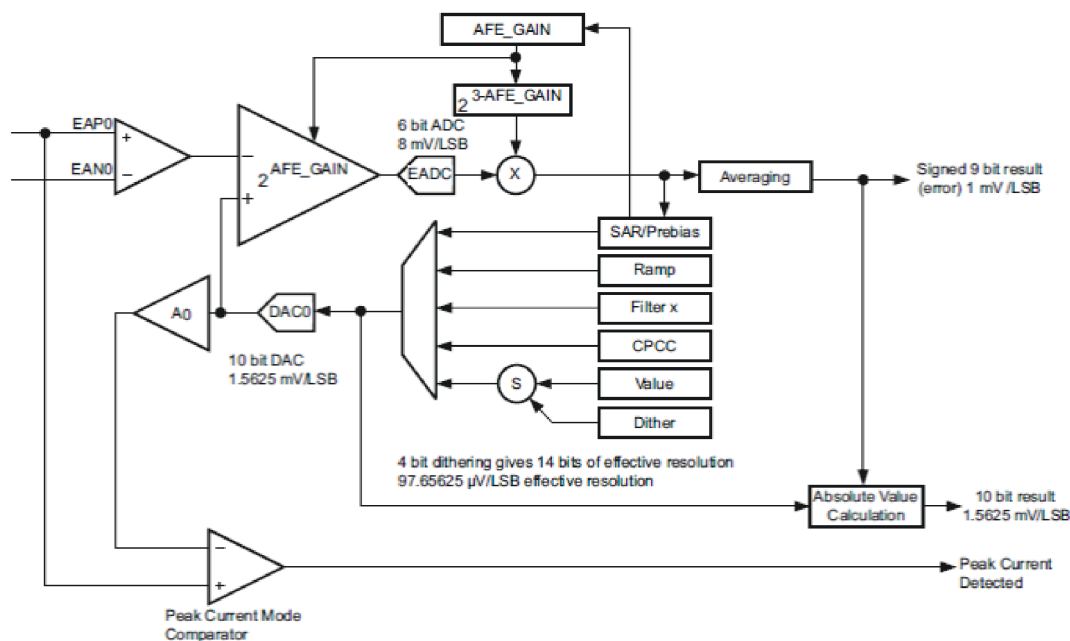


Figure 3-1. Simplified Block Diagram of Front End in UCD3138 (Front End 2 recommended for Peak Current Mode Control)

The input to the Front End is a differential signal on 2 input pins (EAN_x, EAP_x, x=0, 1, 2) of the UCD3138 device. A differential amplifier resolves this to a single ended signal, representing the difference between the two pins. Typically this signal represents voltage or current in the power supply, or some other value to be regulated via a feedback loop to be measured.

This signal is fed into another differential amplifier. The other input to this differential amplifier comes from a Digital to Analog Converter (DAC) which has an effective range of 0 to 1.6V. This DAC output typically represents a target for a regulated value (reference).

There is a gain programmable differential amplifier which outputs the difference between the DAC output and the Front End input. This analog signal typically represents the error between the regulated value and the target value. This signal is turned into a digital value by the Error Analog to Digital Converter (EADC). This digital value is typically fed to the input of one or more filters, although it can be used in other ways.

Other blocks in the UCD3138 Front End aid implementing typical power supply functions. The Successive Approximation Control turns the Front End from a high speed, limited range error ADC to a 1.6V range, slower, successive approximation ADC.

The Ramp Control ramps the EADC DAC value up or down at a programmable rate for simple soft start and soft stop functionality. The Ramp engine can also be used for other ramps as well.

The Pre-Bias Control adds pre-bias handling support.

There is also a single ended comparator connected with EAP pin and the DAC which is used for Peak Current Mode control. Front End 2 is recommended for Peak Current mode control because blanking time is available only on FE2 in UCD3138(RMH,RHA,RGC).

All of these are described in more details in later sections of this chapter.

3.1 Error ADC and Front End Gain	110
3.2 Front End DAC	116
3.3 Ramp Module	118
3.4 Successive Approximation Mode	122
3.5 Absolute Value Without SAR	122
3.6 EADC Modes	123
3.7 Front End Control Registers	124

3.1 Error ADC and Front End Gain

The Error ADC (EADC) is a high speed 6 bit ADC converter.

3.1.1 Front End Gain

The Front End gain (the gain before the EADC) can be adjusted to 1X, 2X, 4X, and 8X. This gives an EADC resolution of 8mV, 4mV, 2mV, and 1mV respectively.

To set a fixed front end gain, the gain value is written to the AFE_GAIN bits in the EADC Control register.

```
FeCtrl0Regs.EADCCTRL.bit.AFE_GAIN = 2; //set AFE gain to 4X
```

In addition, there are 2 automatic gain setting modes, available only on Front End 0. They are enabled by setting the AUTO_GAIN_SHIFT_ENABLE bit in the EADC control register.

```
FeCtrl0Regs.EADCCTRL.bit.AUTO_GAIN_SHIFT_EN = 1; //enable auto gain shift mode.
```

In the simpler mode, the gain is shifted to the next lower mode whenever the EADC over or underflows. The gain is increased if the EADC output is less than $\pm 1/4$ of its range at the current gain.

By setting the AUTO_GAIN_SHIFT_MODE bit in the EADCCTRL register, the second auto gain mode can be enabled. In this mode, the shift points are set by the Filter nonlinear mode thresholds. These thresholds are described in [Section 4.5](#). There are 3 Filters with non linear thresholds. The FECTRLxMUX register in [Chapter 5](#) selects which set of nonlinear thresholds are used with each Front End.

3.1.2 EADC Error Output

The internal EADC output is a 6 bit two's complement number. Depending on AFE gain, the least significant EADC bit can have a value of 1 to 8 mV. To simplify automatic AFE gain changes, this EADC output is shifted depending on the AFE gain, giving a 9 bit output to the filter.

This way, regardless of the AFE gain, the least significant bit will always have a resolution of 1mV. Depending on AFE gain, the bits and range of the output actually used will change:

Analog Gain	AFE_GAIN Bits	Input Range (mV)	Bits Used	Left Shift	Measurement Resolution (mV)
1	0	+248 to -256	3 - 8	3	8
2	1	+124 to -128	2 - 7	2	4
4	2	+62 to -64	1 - 6	1	2
8	3	+31 to -32	0 - 5	0	1

Here is a graphical representation of the EADC output:

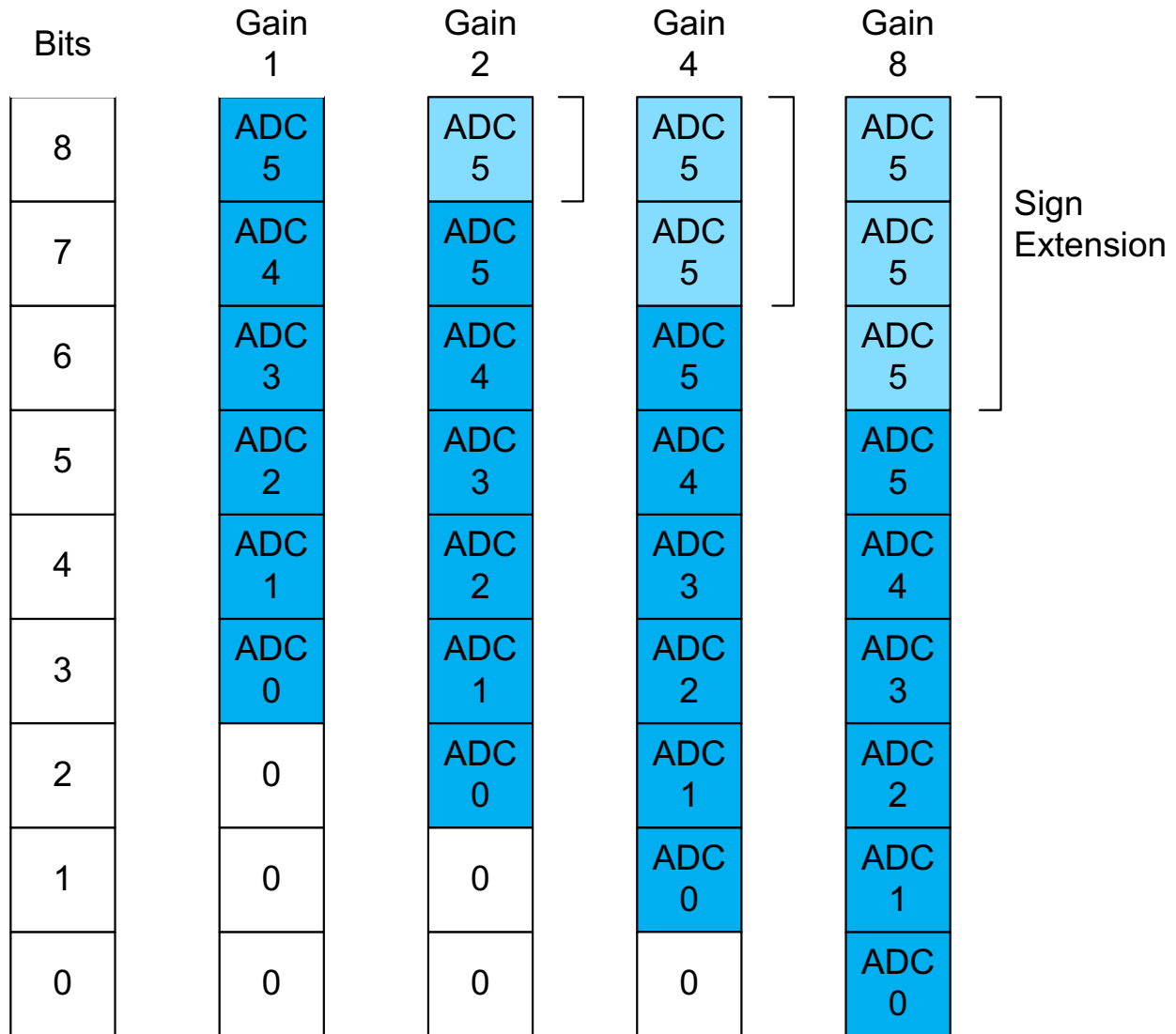


Figure 3-2.

The EADC error output as described above can be read from the EADC raw value register:

```
eadc_error = FeCtr10Regs.EADCRAWVALUE.bit.RAW_ERROR_VALUE;
```

It is also sent to the Filter, and is one of the values which can be used by the digital comparators controlled by the Fault Mux.

3.1.3 EADC Triggering, EADC Output to Filter

The EADC is generally triggered by a sample trigger signal from a DPWM module. After this trigger, if averaging is enabled, additional triggers may come from the averaging module. The EADC can also be triggered by the Successive Approximation (SAR) module. Multiple DPWMS can be used to trigger a single EADC at different times in the same period.

Each DPWM module has 2 sample trigger registers to set sample trigger timing. The DPWMS can also provide oversampling of 2, 4, or 8 samples in coordination with 1 of the 2 sample triggers. See [Section 2.17.5](#), for more information.

The Sample Trigger Control register in the Loop Mux module controls the routing of sample trigger signals from the DPWMS to the EADCs. There is a bit in that register for every possible DPWM/Front End combination. If that bit is set, then the sample trigger from that specific DPWM will be routed to that specific front end. For example, to use DPWM3 to trigger Front End 2, this is the code:

```
LoopMuxRegs.SAMPTRIGCTRL.bit.FE2_TRIG_DPWM3_EN = 1;
```

See [Chapter 5](#) for more information.

If the EADC is driving a filter, that filter will compute its output at the conclusion of the EADC conversion. The Filter Mux register in the Loop Mux selects which front ends send data to which filters. For instance to send the output from Front End 2 to Filter 1:

```
LoopMuxRegs.FILTERMUX.bit.FILTER1_FE_SEL = 2; //use Front end 2 for filter 1.
```

See [Chapter 5](#) for more information.

Sample triggers can also be divided so that the EADC only fires every 1 to 16 sample triggers:

```
FeCtrl0Regs.EADCCTRL.bit.SAMP_TRIG_SCALE = 4; //trigger every 5 sample triggers.
```

3.1.4 EADC Timing

The EADC takes either 16 or 32 cycles of the 250 MHz high speed clock to complete an analog to digital conversion. The timing logic runs continuously, producing samples every 64 or 128 ns. This gives maximum sample rates of 16 MHz and 8 MHz respectively. The sample trigger, when it occurs, takes the latest sample. It does not trigger the start of a conversion.

To set the EADC speed, use the Switched Cap Front End (SCFE) Divide by 2 (SCFE_DIV_2) bit in the EADC Control register. Setting the bit divides the sample **period** by 2. The bit is set by default, giving a nominal 64 ns sample period. Clearing the bit doubles the period:

```
FeCtrl0Regs.EADCCTRL.bit.SCFE_CLK_DIV_2 = 0; //clear for 128 ns sample interval.
```

By default the EADC switched cap filter runs continuously at a fixed rate. If the period is not an integer multiple of this rate, the sample time could shift around within a 64 nanosecond window.

To avoid this, set the Frame Sync Enable bit:

```
FeCtrl0Regs.EADCCTRL.bit.FRAME_SYNC_EN = 1;
//resync EADC sampling to frame boundary at start of each frame.
```

The frame start signal comes from 1 or more DPWMS. DPWM selection is done in the Front End Control Mux Registers in the Loop Mux. Each Front end has a Front End Control Mux register which controls many inputs to the Front End, including the frame sync for the EADC sampling reset.

For example, to use DPWM3 frame sync for Front End 2:

```
LoopMuxRegs.FECTRL2MUX.bit.DPWM3_FRAME_SYNC_EN = 1;
```

There is a bit which initializes the state machine counter for the front end to a non-zero value. This should be left at 0, however. Other numbers will cause unexpected results.

```
FeCtrl0Regs.EADCCTRL.bit.SCFE_CNT_INIT = 0; //leave at 0.
```

3.1.5 EADC Averaging

It is possible to average 2, 4, and 8 EADC samples. There are two modes of EADC Averaging – consecutive and spatial. It is true averaging – the samples are added and then divided by the number of samples. There is also a weighted average available.

Consecutive mode takes the specified number of samples immediately after the sample trigger, at the EADC sample rate of 16 or 8 MHz. It then triggers the Filter and provides the average of the samples as the filter input.

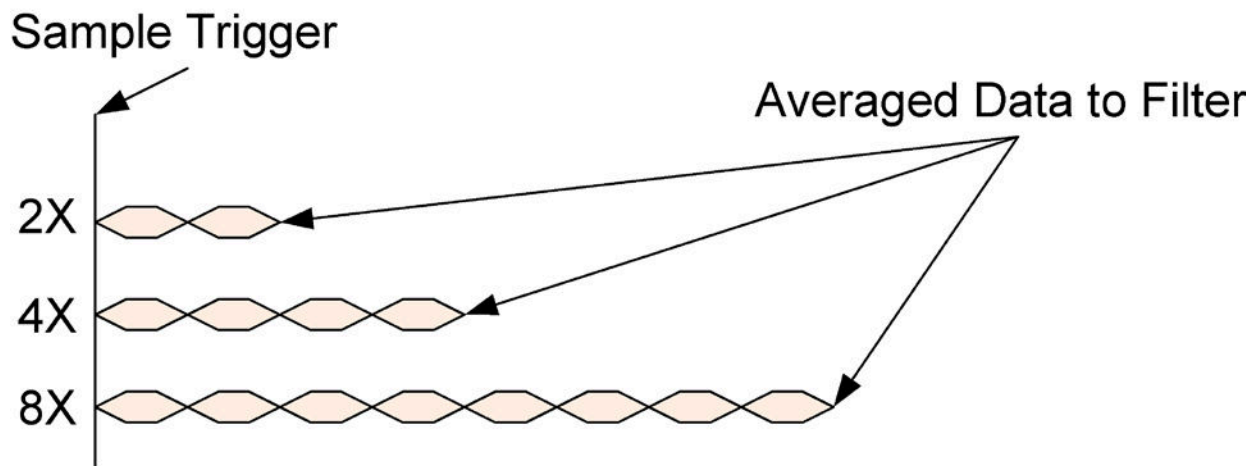


Figure 3-3. Consecutive Mode of Averaging by EADC

Spatial mode takes one sample for each sample trigger, and sends averaged data to the filter after the specified number of sample triggers.

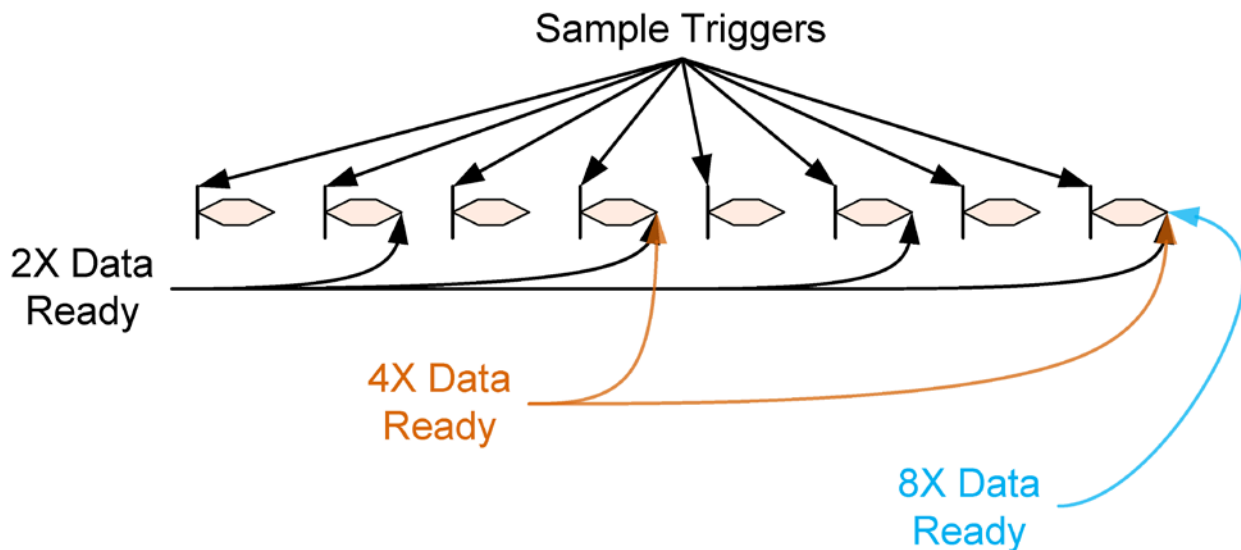


Figure 3-4. Spatial Mode of Averaging by EADC

The average error value can also be read from the EADC Value register:

```
eadc_error = FeCtrl0Regs.EADCVALUE.bit.ERROR_VALUE;
```

This value will reflect the averaging value if averaging is enabled. Otherwise it will be the same as the raw EADC value mentioned earlier.

Averaging is controlled with the EADC control register. To select Averaging mode, write a 1 into the EADC_MODE bits:

```
FeCtrl0Regs.EADCCTRL.bit.EADC_MODE = 1; //averaging mode
```

There are 3 bits, giving a total of 8 modes, all of which will be discussed later in this section.

The simplest mode is mode 0 – 1 sample, no averaging.

To select spatial mode, write a 1 to the AVG_SPATIAL_EN bit:

```
FeCtrl0Regs.EADCCTRL.bit.AVG_SPATIAL_EN = 1; //spatial averaging mode
```

A 0 in this bit will select continuous mode.

To select which number of samples to average, use the AVG_MODE_SEL bits. They work as follows:

0 = 2x Averaging (Default)

1 = 4x Averaging

2 = 8x Averaging

```
FeCtrl0Regs.EADCCTRL.bit.AVG_MODE_SEL = 2; //select 8X averaging
```

There is also a weighted average control bit available, which gives more weight to the most recent samples. See [Section 3.7](#) for details.

3.1.6 Enabling EADC and Front End

There are several bits which must all be set to enable the EADC and the entire front end. Most of them are enabled by default. To save power and reduce noise, the default bits can be cleared if the EADC is not being used.

The enable bits for EADC 0 are:

```
FeCtrl0Regs.EADCCTRL.bit.EADC_ENA = 1; //1 is default
FeCtrl0Regs.EADCCTRL.bit.SCFE_ENA = 1; //1 is default
```

Some modules in the Front End can be used without enabling the EADC.

There is also a bit in the Loop Mux which must be set for the Front End 0 to start.

```
LoopMuxRegs.GLBEN.bit.FE_CTRL0_EN = 1; //0 is default
```

The GLBEN register is a special register, with enables for all front ends and all DPWMs in the same register. It is designed to allow simultaneous start up of all front ends and DPWMs, by writing to the whole register at once. This is very useful for complex topologies where all FET control waveforms need to start up simultaneously to prevent malfunction.

```
union GLBEN_REG glben_temp; //make a temp variable to accumulate desired configuration
glben_temp.bit.FE_CTRL0_EN = 1;
glben_temp.bit.FE_CTRL2_EN = 1;
glben_temp.bit.DPWM0_EN = 1;
glben_temp.bit.DPWM1_EN = 1;
LoopMuxRegs.GLBEN = glben_temp; //enable FE0, FE2, DPWM0, DPWM1
```

The code above makes a temporary variable called glben_temp, initializes it, and then writes it all to the GLBEN register at once. It is also possible to do this:

```
LoopMuxRegs.GLBEN.all = 0x53; //enable FE0, FE2, DPWM0, DPWM1
```

This is a bit more efficient, but not nearly as readable. The best way would be:

```
#define FE_CTRL0_EN_BIT 0x100
#define FE_CTRL2_EN_BIT 0x400
#define DPWM0_EN_BIT 1
#define DPWM1_EN_BIT 2
LoopMuxRegs.GLBEN.all = FE_CTRL0_EN_BIT + FE_CTRL2_EN_BIT + DPWM0_EN_BIT +
DPWM1_EN_BIT;
```

Of course, writing to each bit of the register directly would not accomplish a simultaneous start up. This could cause a power supply malfunction. For both DPWM and Front End, both local bits and global bits must be set to enable these peripherals. For a simultaneous startup, it is necessary to set the local bits before writing to the global register.

3.2 Front End DAC

The reference voltage for the Front End is set by the DAC, sometimes called the EADC DAC. This is a 10 bit analog to digital converter, with a nominal step size of 1.5625 millivolts per bit. The DAC input is a unsigned 10 bit number, giving a range from 0 to 1.6 Volts.

In the simplest configuration, the DAC is set by writing to the EADCDAC register:

```
FeCtrl0Regs.EADCDAC.bit.DAC_VALUE = 100 * 16; //set 10 bit DAC to 100 (.15625 volts)
```

The 16X multiply is necessary because the DAC logic also supports a 4 bit dither capability.

The DAC_VALUE bit has 14 total bits - 10 actual DAC bits, and 4 bits that are used for dither:

13 12 11 10 9 8 7 6 5 4 3 2 1 0

DAC Value	Dither
-----------	--------

This dither has a 4 bit counter driven by a selected DWPM signal, which will switch back and forth between 2 DAC values. For example, if the DAC value is set to $100.75 * 16$, there will be a 0b11000100 (equivalent to 100) in the 10 DAC bits, and a 0b1100 (equivalent to 12 or $0.75 * 16$) in the 4 dither bits.

The dither logic will put out a 100 for 4 counts and 101 for 12 counts. This will give an average of 100.75. Here is the waveform:

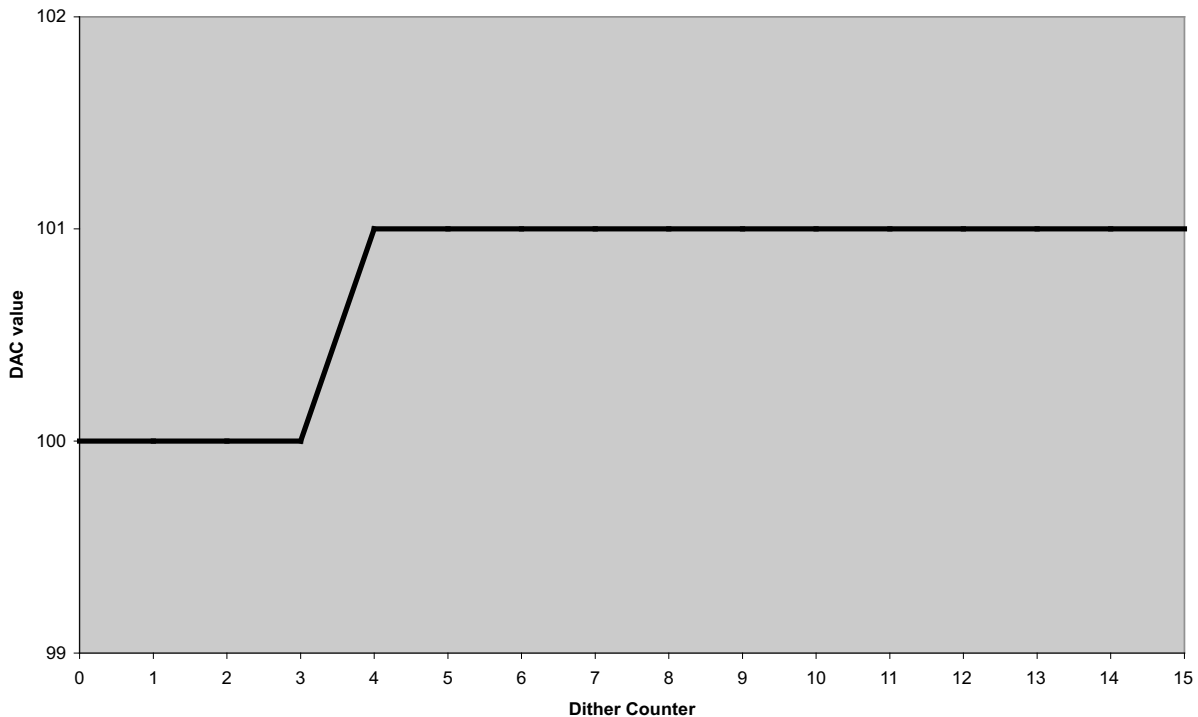


Figure 3-5. DAC Dither

The dither counter will increment at the start of a pulse on DPWMA and/or DPWMB. The specific DPWM pins used are selected in the FECTRLxMUX registers in the Loop Mux.

For example, to set the rising edge of DPWM3B to trigger DAC dither on Front End 2:

```
LoopMuxRegs.FECTRL2MUX.bit.DPWM3_B_TRIG_EN = 1;
//set DPWM3B up to trigger dither.
```

Note that if the DPWM pin is not active, because of anything from a zero filter output to a fault, the dither counter will not be incremented.

To enable dither, the DAC_DITHER_EN bit must be set:

```
FeCtrl0Regs.EADC_DAC.bit.DAC_VALUE = (int)(100.25 * 16);
//set 10 bit DAC to 100.25 (0.156640625 volts)
FeCtrl0Regs.EADC_DAC.bit.DAC_DITHER_EN = 1; //enable dither
```

The DAC can also be controlled by other DACs, by the output of filters, or by the constant power module.

The External DAC Control register in the Loop Mux can be used to select which DAC source is used.

There are several options:

- 0 = DAC 0 Setpoint Selected
- 1 = DAC 1 Setpoint Selected
- 2 = DAC 2 Setpoint Selected
- 3 = Output of Constant Power Module Selected
- 4 = Filter 0 Output Selected
- 5 = Filter 1 Output Selected

6 = Filter 2 Output Selected

```
LoopMuxRegs.EXTDACCTRL.bit.DAC0_SEL = 5; //control DAC 0 with Filter 1
```

To enable external DAC Control, it is also necessary to set the enable bit for the specific DAC:

```
LoopMuxRegs.EXTDACCTRL.bit.EXT_DAC0_EN = 1; //enable external DAC for DAC 0
```

Filter output is used to control the DAC when two filters are used together, typically in average current mode control, where the voltage error goes to a voltage loop filter, and the output of the voltage loop filter controls the DAC for a current loop filter.

The actual value being used for the DAC at any given time can be read from the DAC Status register – DACSTAT.

```
dac_value = FeCtrl0Regs.DACSTAT.bit.DAC_VALUE;
```

3.3 Ramp Module

The Ramp Module is used to control the EADC DAC for ramp up and ramp down of current and voltage. It is also used to ramp up and down the pulse width of Synchronous Rectifier FET pulses to avoid glitches when enabling and disabling synchronous rectification. Portions of the Ramp Module are also used for Prebias handling. The Ramp module is also used for the ramp compensation in peak current mode. The Ramp module can be used for only one purpose at a time. There are three Ramp modules, one for each front end, so it is possible to have 3 ramp functions running simultaneously.

3.3.1 DAC Ramp Overview

The Front End Control Module in UCD3138 provides the capability to generate an automated ramp of the DAC set point through hardware. Firmware has the capability to configure the following parameters of the ramp:

1. Configurable DAC end value at completion of soft-start or soft-stop ramp
2. Configurable DAC step (8.10 format with 10 fractional bits)
3. Firmware can program number of switching cycles per DAC step (Configurable from 1-128)
4. Configurable number of delay cycles prior to start of ramp (Configurable from 0-65535)
5. Ramp can be initiated by one of the following events: firmware start bit, PMBus Control pin, Ramp Delay Completion pulse from another Front End Control Module or Ramp Completion pulse from another Front End Control Module
6. Firmware can configure the DAC Saturation Step Size (if EADC is in saturation at time of DAC update, hardware will increment/decrement DAC Value by DAC Saturation Step Size).

3.3.2 DAC Ramp Start and End Points

The DAC Ramp start point is taken from the EADC DAC Value Register:

```
FeCtrl0Regs.EADC_DAC.bit.DAC_VALUE = 0; //start ramp at 0
```

The DAC Ramp end point is taken from the Ramp DAC Ending Value register

```
FeCtrl0Regs.RAMP_DACEND.bit.RAMP_DAC_VALUE = 100 * 16;  
//set 10 bit DAC to 100 (.15625 volts)
```

These two values above will lead to a ramp up. Both of these registers are 14 bits, so a dithering value is supported at the beginning and end of the ramp.

The DAC will stay at the end value until something else is asked for. Before another ramp is done, though, this end value should be written to the DAC_VALUE register so that the ramp will start from the same place.

3.3.3 DAC Ramp Steps

The DAC Ramp steps are controlled by two bit fields, the Switch Cycles per Step field and the DAC Step register.

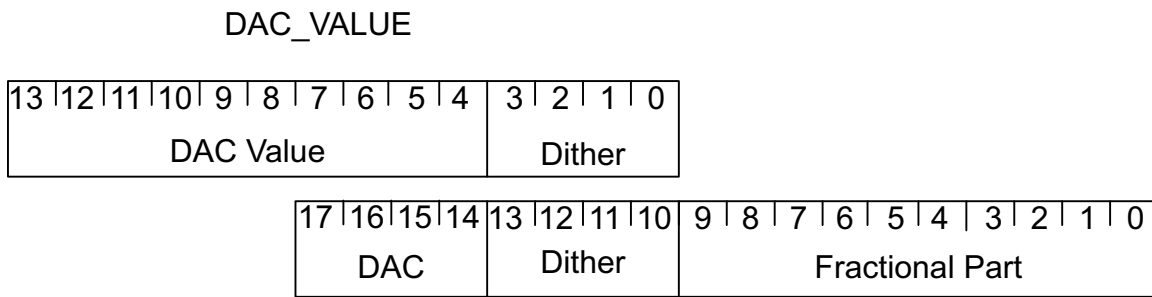
The Switch Cycles per Step bits determine how many DPWM inputs are required before 1 step occurs. It has 7 bits, so the register can hold values from 0 to 127, corresponding to 1 to 128 cycles.

The Switch Cycle signal is a DPWM output. The DPWM output used for the Ramp module is the same as the one for dither above:

```
LoopMuxRegs.FECTRL2MUX.bit.DPWM3_B_TRIG_EN = 1;
//set DPWM3B up to trigger dither and ramp modules.
```

The step size is an unsigned value. The Ramp module logic checks the start and end values. If the start value is lower than the end value, the step size is added to the DAC value. If the start value is higher than the end value, the step size is subtracted from the DAC value.

The step size has a 10 bit fractional part, allowing very precise and also very slow ramps. There are 10 fractional bits, below the dither portion of the DAC. There are 8 bits matching the DAC value, including dither.



DAC_STEP

Figure 3-6.

There is a register, not visible to the programmer, which retains the sum of the fractional bits between steps.

For instance, suppose that bit 8 was the only bit set in the DAC Step register:

```
FeCtrl0Regs.DACSTEP.bit.DAC_STEP = 0x100; //set bit 8 in DAC_STEP
```

Every step, 0x100 would be added to the step register. The sequence would look like this:

Hidden Step Register	DAC Register
0x000100	0x0000
0x000200	0x0000
0x000300	0x0000
0x000400	0x0001
0x000500	0x0001
0x000600	0x0001
0x000700	0x0001
0x000800	0x0002
0x000900	0x0002
0x000A00	0x0002

3.3.4 DAC Ramp Start, Interrupts, Start Delay

DAC Ramp start is controlled by bits in the Ramp Control Register (RAMPCTRL). The DAC Ramp can be started by several events, listed above. These are all clearly described in [Section 3.7](#). The same register also contains a setting for pre-ramp delay, and bits which control interrupts for ramp events.

To enable the Ramp, it is also necessary to set the RAMP_EN bit in the RAMPCTRL register.

3.3.5 RAMPSTAT Register

The RAMPSTAT register has bits which indicate ramp completion and other ramp status events. The RAMPCTRL register can also be used to enable interrupts for ramp status events.

3.3.6 DAC RAMP when EADC is Saturated

DACSATSTEP configures the DAC increment/decrement value when the EADC is saturated during the Automated Ramp.

If the EADC is saturated high ($V_{error} = V_{ref} - V_{sense}$), the DAC setpoint is lowered by the DACSATSTEP value. The decrement will continue until the EADC is out of saturation. This decrement when the EADC is in saturation occurs periodically when the DAC would be updated with a new DAC value during the ramp.

If the EADC is saturated low, the DAC setpoint is incremented by the DACSATSTEP value. The increment will continue until the EADC is out of saturation. This increment when the EADC is in saturation occurs periodically when the DAC would be updated with a new DAC value during the ramp.

If the step value is carefully chosen, this mode may help to keep the EADC from saturating during a ramp up. It may, however, make the ramp timing undeterministic and non-monotonic.

3.3.7 Using Ramp Module for Peak Current Mode

The ramp module is also used for Analog Peak Current Mode (APCM). Normally the PCM_START_SEL bit is set so that a filter output is used to drive the starting point of the ramp. The ramp end point is set to a low value so that the ramp will always go downward.

In this mode, the ramp trigger simply starts the ramp. The step comes from the Front End at a 32 nanosecond rate. There is a comparator in the Front End. This comparator compares the ramp value (in the DAC) to the EADC input value. When the EADC input exceeds the ramp value, the APCM fault output of the Front End goes active. This bit can be sent to the DPWM pins via the Loop Mux and Fault Mux.

The Front End drawing omits it for simplicity, but the DAC (and the input to the EADC amplifier) are actually differential. The PCM comparator, however, is single ended. So there is a differential to single ended converter between the DAC and the PCM comparator. This comparator must be enabled for PCM to work. The D2S_COMP_EN bit in the EADCCTRL register performs this function.

For additional information consult the reference firmware provided with UCD3138PSFBEVM-029 EVM.

3.3.8 Sync FET Soft On/Off using Ramp Module

The Sync FET soft on/off can be used to control the on-time of DPWMB in normal mode. DPWMB can be ramped up and down. It can be used in conjunction with digital or analog IDE (Ideal Diode Emulation). These two modules control the width of DPWMB as shown below:

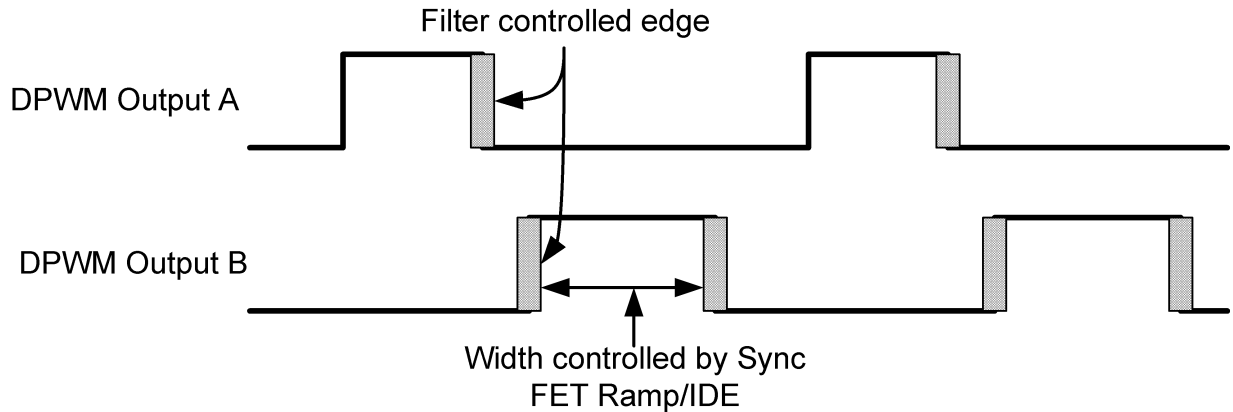


Figure 3-7. Ideal Diode Emulation (IDE) Module in UCD3138

The Sync FET Ramp is similar to the DAC Ramp, and uses the same hardware, but it needs a starting point, which is provided by the SYNC_FET_RAMP_START bits in the RAMPCTRL register. These bits are scaled at 1 high speed clock cycle per bit (nominally 4 nanoseconds). The RAMPDACEND.RAMP_DAC_VALUE register is used for the end of the Sync FET Ramp as well, with the same scaling as the start register.

The fractional position of the step size register is the same, which means that bit 10 in the step size register represents a 4 nanosecond step.

All the same start criteria can be used for the Sync FET Ramp. The difference is that the SYNC_FET_EN bit is set in the RAMPCTRL register, instead of the RAMP_EN bit.

The Sync FET ramp only works in normal mode. It cannot be used with Cycle By Cycle (CBC) current limit, or with any form of Peak Current mode. For Sync FET Ramp to work correctly, the rising edge of DPWMB must be controlled by the filter. The falling edge of DPWMB is calculated by the DPWM logic during the update window. When SyncFET ramp is enabled, make sure to place EVT4 at the end of period or zero.

Any DPWM can be driven by any ramp generator, see the DPWM documentation for ramp selection as well.

The Ramp Module is also used in the DAC Ramp and in Prebias, so only one of these functions can be done by each Ramp Module at a time.

Note: Even if the Ramp Module is being used for Sync FET soft on/off, it is not possible to write to the EADC DAC for that front end while the Ramp Module is being used.

3.4 Successive Approximation Mode

The EADC and DAC together can be put into Successive Approximation Mode. The SA module takes control of the DAC and the EADC. It starts at a low gain, and attempts to measure the input voltage on the EADC precisely over the full range. It does this in a manner similar to a successive approximation ADC. Note that multiple samples are taken. If the input signal is changing rapidly, the SA module may not converge.

3.4.1 SAR Control Parameters

Firmware has the capability to program the following parameters used in the SAR Control algorithm:

- Final SAR Resolution - Controls the final AFE Gain setting used at the completion of the SAR process
- **SAR Window 1 Range** - If error falls in the range of +/- SAR Window 1 Range, the AFE Gain is incremented to 0x1 as long as Final SAR Resolution does not equal 0x0.
- **SAR Window 2 Range** – If error falls in the range of +/- SAR Window 2 Range, the AFE Gain is incremented to 0x2 as long as Final SAR Resolution does not equal 0x1
- **SAR Range** – If error falls in the range of +/- SAR Range, the AFE Gain is incremented to 0x3 as long as the Final SAR Resolution does not equal 0x2
- **SAR Mode** – SAR algorithm configured in Non-Continuous Mode or Continuous Mode

3.4.2 SAR Algorithm Overview

Upon initiation of the SAR process, the SAR Control Module sets the AFE gain to the Starting SAR Resolution as programmed by firmware. Initially, the MSB of the 10-bit DAC value is set to '1' or the DAC setpoint is placed at the midpoint of its range. An EADC sample is captured and compared. Based on the polarity and magnitude of the EADC error, the AFE gain and DAC setpoint are adjusted.

3.4.3 Non-Continuous SAR Mode

UCD3138 features two modes when it attempts to use a SAR algorithm to determine an absolute voltage. The first mode is Non-Continuous SAR mode. In this mode, the SAR Control Module restarts the SAR algorithm on each sample trigger from the DPWM module. Upon receipt of a sample trigger from the DPWM modules, a new EADC sample is requested at an AFE gain of 0x0 and the DAC setpoint is reset to midpoint.

The Non-Continuous SAR Mode minimizes power consumption by only running the Analog Front End when a new measurement is needed. The SAR Control Module reruns the entire SAR algorithm on every sample trigger, which may add latency to the acquisition of the absolute voltage value compared to continuous mode.

3.4.4 Continuous SAR Mode

Continuous SAR Mode configures the SAR Control Module to continually acquire new EADC samples from the Analog Front. Upon receipt of a new sample trigger from the DPWM modules, if the error is within the final SAR window, a new absolute voltage can be generated quickly since the algorithm does not need to reset the DAC setpoint to midpoint and lower the AFE Gain to 0x0.

The result of the SAR calculation can be read from the EADC value register. To check for EADC overflow, read the EADC_SAT_HIGH and EADC_SAT_LOW bits in the same register:

```
if((FeCtrl0Regs.EADCVALUE.bit.EADC_SAT_HIGH
&& FeCtrl0Regs.EADCVALUE.bit.EADC_SAT_LOW) == 0)
{
    eadc_absolute = FeCtrl0Regs.EADCVALUE.bit.ABS_VALUE;
}
else
{
    //adjust EADC DAC and try again
}
```

3.5 Absolute Value Without SAR

It is also possible to get absolute value data from the EADC without using SAR mode. For accurate data in this case, the Error ADC has to be within range of the EADC DAC setting.

$V_{abs} = V_{eadcdac} + V_{eadc}$

If EADC averaging is used, the average EADC value will be used to calculate the absolute value.

3.6 EADC Modes

There are several other front end modes for different applications.

The complete list is as follows:

- 0 = Standard mode, EADC samples based on sample triggers from DPWM module (Default)
- 1 = Averaging Mode, configured by `AVG_MODE_SEL`
- 2 = Non-continuous SAR Mode
- 3 = Continuous SAR Mode
- 4 = Reserved
- 5 = Digital Peak Current Mode
- 6 = Constant Power/Constant Current Control Mode (CPCC module controls switching between Standard Mode and Non-Continuous SAR Mode)
- 7 = Constant Power/Constant Current Control 2 Mode (CPCC module controls switching between Standard mode and Continuous SAR Mode)

3.7 Front End Control Registers

Registers for Front End Control modules 0-2 are identical in their bit definitions.

3.7.1 Ramp Control Register (RAMPCTRL)

Address 0x0008_0000 – Front End Control 2 Ramp Control Register

Address 0x000B_0000 – Front End Control 1 Ramp Control Register

Address 0x000E_0000 – Front End Control 0 Ramp Control Register

Figure 3-8. Ramp Control Register (RAMPCTRL)

	SYNC_FET_RAMP_START													
	R/W-00 0000 0000 0000													

LEGEND: R/W = Read/Write; R = Read only; -n = value after reset

Table 3-1. Ramp Control Register (RAMPCTRL) Register Field Descriptions

Bit	Field	Type	Reset	Description
29-16	SYNC_FET_RAMP_START	R/W	00 0000 0000 0000	Provides the starting value for the SyncFET Ramp with a resolution of High Frequency Oscillator Period/bit
15-13	Reserved	R	00	
12	RAMP_SAT_EN	R/W	0	Enables addition or subtraction of DAC Saturation Step when EADC is in saturation. 0 = DAC Saturation Step logic is disabled, DAC incremented/decremented by value calculated by Ramp logic when EADC is in saturation (Default) 1 = DAC Saturation Step logic is enabled, DAC incremented/decremented by value stored in DAC Saturation Step register when EADC is in saturation
11	RAMP_COMP_INT_EN	R/W	0	Enables Ramp I/F Interrupt when soft-start/power-down ramp procedure is complete 0 = Soft-start/Power-Down Ramp Complete Interrupt is disabled (Default) 1 = Soft-start/Power-Down Ramp Complete Interrupt is enabled
10	RAMP_DLY_INT_EN	R/W	0	Enables Ramp I/F Interrupt when ramp delay procedure is complete 0 = Soft-start/Power-Down Ramp Delay Complete Interrupt is disabled (Default) 1 = Soft-start/Power-Down Ramp Delay Complete Interrupt is enabled
9	PREBIAS_INT_EN	R/W	0	Enables Ramp I/F Interrupt when Pre-Bias procedure is completed 0 = Pre-bias Complete Interrupt is disabled (Default) 1 = Pre-bias Complete Interrupt is enabled

Table 3-1. Ramp Control Register (RAMPCTRL) Register Field Descriptions (continued)

Bit	Field	Type	Reset	Description
8	PCM_START_SEL	R/W	0	Peak Current Mode Ramp Start Value Select 0 = Ramp starts from value programmed in DAC_VALUE bits in EADC_DAC_VALUE Register (Default) 1 = Ramp starts from filter output selected by PCM_FILTER_SEL bits in Loop Mux register PCMCTRL
7	SYNC_FET_EN	R/W	0	Enables SyncFET Ramp Operation 0 = SyncFET Ramp Operation disabled (Default) 1 = SyncFET Ramp Operation enabled
6-5	MASTER_SEL	R/W	00	Selects Master Ramp I/F in slave mode 0 = Front End Control 0 acts as master (Default) 1 = Front End Control 1 acts as master 2 = Front End Control 2 acts as master
4	SLAVE_COMP_EN	R/W	0	Enables syncing of ramp start to Master Ramp I/F Complete pulse 0 = Ramp initiated by Master Ramp Complete pulse disabled (Default) 1 = Ramp initiated by Master Ramp Complete pulse enabled
3	SLAVE_DELAY_EN	R/W	0	Enables syncing of ramp start to Master Ramp I/F Delay Complete pulse 0 = Ramp initiated by Master Ramp Delay Complete pulse disabled (Default) 1 = Ramp initiated by Master Ramp Delay Complete pulse enabled
2	CONTROL_EN	R/W	0	Enables PMBus Control line to initiate ramp 0 = PMBus Control does not initiate ramp (Default) 1 = PMBus Control initiates ramp
1	FIRMWARE_START	R/W	0	Ramp start bit, self-clearing by ramp logic 0 = No ramp sequence initiated by firmware (Default) 1 = Ramp sequence initiated by firmware
0	RAMP_EN	R/W	0	Enable Ramp Logic (Pre-biasing should be disabled before asserting ramp, bit 16 of Pre-Bias Control Register) 0 = No soft start or power-down ramp controlled by hardware (Default) 1 = Enables hardware control of soft start or power-down ramp

3.7.2 Ramp Status Register (RAMPSTAT)

Address 0x0008_0004 – Front End Control 2 Ramp Status Register

Address 0x000B_0004 – Front End Control 1 Ramp Status Register

Address 0x000E_0004 – Front End Control 0 Ramp Status Register

Figure 3-9. Ramp Status Register (RAMPSTAT)

11		10		9		8	
EADC_DONE_RAW		RAMP_COMP_INT_STATUS		RAMP_DLY_INT_STATUS		PREBIAS_INT_STATUS	
R-0		R-0		R-0		R-0	
7	6	5	4	3	2	1	0
EADC_SAT_HIGH	EADC_SAT_LOW	EADC_EOC	PREBIAS_BUSY	RAMP_BUSY	RAMP_COMP_STATUS	RAMP_DLY_STATUS	PREBIAS_STATUS
R-0	R-0	R-0	R-0	R-0	R-0	R-0	R-0

LEGEND: R/W = Read/Write; R = Read only; -n = value after reset

Table 3-2. Ramp Status Register (RAMPSTAT) Register Field Descriptions

Bit	Field	Type	Reset	Description
11	EADC_DONE_RAW	R	0	EADC Conversion Done Raw Status 0 = EADC Conversion has not completed 1 = EADC Conversion has completed
10	RAMP_COMP_INT_STATUS	R	0	Ramp Delay Complete latched status 0 = No Ramp Delay Complete has been declared 1 = Ramp Delay Complete has been declared
9	RAMP_DLY_INT_STATUS	R	0	Ramp Delay Complete latched status 0 = No Ramp Delay Complete has been declared 1 = Ramp Delay Complete has been declared
8	PREBIAS_INT_STATUS	R	0	Pre-Bias Complete latched status 0 = No Pre-Bias Complete has been declared 1 = Pre-Bias Complete has been declared
7	EADC_SAT_HIGH	R	0	EADC Saturation High Indicator 0 = EADC output is not saturated at high limit 1 = EADC output is saturated at high limit
6	EADC_SAT_LOW	R	0	EADC Saturation Low Indicator 0 = EADC output is not saturated at low limit 1 = EADC output is saturated at low limit
5	EADC_EOC	R	0	Indicates EADC end of conversion
4	PREBIAS_BUSY	R	0	Pre-Bias Busy 0 = Pre-Bias is not in progress 1 = Pre-Bias in progress
3	RAMP_BUSY	R	0	Ramp Busy 0 = Soft-Start/Power-Down Ramp is not in progress 1 = Soft-Start/Power-Down Ramp is in progress

Table 3-2. Ramp Status Register (RAMPSTAT) Register Field Descriptions (continued)

Bit	Field	Type	Reset	Description
2	RAMP_COMP_STATUS	R	0	Ramp Complete, Raw Status 0 = Ramp procedure is not complete 1 = Ramp procedure is complete
1	RAMP_DLY_STATUS	R	0	Ramp Delay Complete, Raw Status 0 = Ramp delay procedure is not complete 1 = Ramp delay procedure is complete
0	PREBIAS_STATUS	R	0	Pre-Bias Complete, Raw Status 0 = Pre-Bias is not completed 1 = Pre-Bias is completed

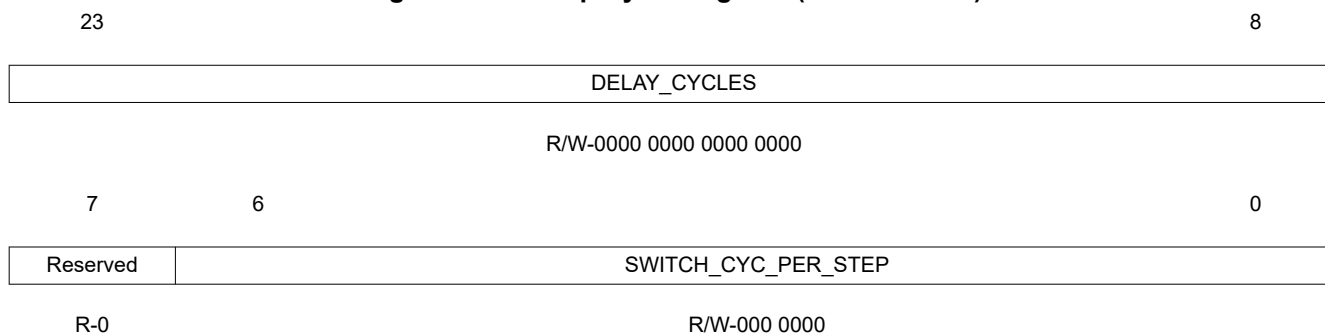
3.7.3 Ramp Cycle Register (RAMPCYCLE)

Address 0x0008_0008 – Front End Control 2 Ramp Cycle Register

Address 0x000B_0008 – Front End Control 1 Ramp Cycle Register

Address 0x000E_0008 – Front End Control 0 Ramp Cycle Register

Figure 3-10. Ramp Cycle Register (RAMPCYCLE)



LEGEND: R/W = Read/Write; R = Read only; -n = value after reset

Table 3-3. Ramp Cycle Register (RAMPCYCLE) Register Field Descriptions

Bit	Field	Type	Reset	Description
23-8	DELAY_CYCLES	R/W	0000 0000 0000 0000	Configures the number of delay cycles before an initiation of ramp sequence. Each delay cycle consists of n switching cycles, as specified by SWITCH_CYC_PER_STEP (Bits 6-0). Number of delay cycles can vary from 0 to 65535 0 = Ramp starts without delay (Default) 1 = Ramp starts after (1*SWITCH_CYC_PER_STEP) switching cycles 2 = Ramp starts after (2*SWITCH_CYC_PER_STEP) switching cycles 65535 = Ramp starts after (65535*SWITCH_CYC_PER_STEP) switching cycles
7	Reserved	R	0	
6-0	SWITCH_CYC_PER_STEP	R/W	000 0000	Selects number of switching cycles per DAC step. Number of subcycles can vary from 1 to 128. 0 = 1 switching cycle per step (Default) 1 = 2 subcycles per cycle 2 = 3 subcycles per cycle 127 = 128 subcycles per cycle

3.7.4 EADC DAC Value Register (EADCDAC)

Address 0x0008_000C – Front End Control 2 EADC DAC Value Register

Address 0x000B_000C – Front End Control 1 EADC DAC Value Register

Address 0x000E_000C – Front End Control 0 EADC DAC Value Register

Figure 3-11. EADC DAC Value Register (EADCDAC)

15	14	13	0
DAC_DITHER_EN	Reserved	DAC_VALUE	
R/W-0	R-0	R/W-00 1111 1111 0000	

LEGEND: R/W = Read/Write; R = Read only; -n = value after reset

15	14	13	0
DAC_DITHER_O N_SAMPLE	DAC_DITHER_EN	Reserved	DAC_VALUE
R/W-0	R/W-0	R-0	R/W-00 1111 1111 0000

LEGEND: R/W = Read/Write; R = Read only; -n = value after reset

Table 3-4. EADC DAC Value Register (EADCDAC) Register Field Descriptions

Bit	Field	Type	Reset	Description
15	DAC_DITHER_EN	R/W	0	DAC Dithering Enable 0 = DAC Dithering disabled (Default) 1 = DAC Dithering enabled
14	Reserved	R	0	
13-0	DAC_VALUE	R/W	00 1111 1111 0000	Programmable DAC Value, effective LSB equals 0.09765625mV

3.7.5 Ramp DAC Ending Value Register (RAMPDACEND)

Address 0x0008_0010 – Front End Control 2 Ramp DAC Ending Register

Address 0x000B_0010 – Front End Control 1 Ramp DAC Ending Register

Address 0x000E_0010 – Front End Control 0 Ramp DAC Ending Register

Figure 3-12. Ramp DAC Ending Value Register (RAMPDACEND)

13

0

RAMP_DAC_VALUE

R/W-00 0000 0000 0000

LEGEND: R/W = Read/Write; R = Read only; -n = value after reset

Table 3-5. Ramp DAC Ending Value Register (RAMPDACEND) Register Field Descriptions

Bit	Field	Type	Reset	Description
13-0	RAMP_DAC_VALUE	R/W	00 0000 0000 0000	Programmable Ramp Ending DAC Value, LSB equals 0.09765625mV

3.7.6 DAC Step Register (DACSTEP)

Address 0x0008_0014 – Front End Control 2 DAC Step Register

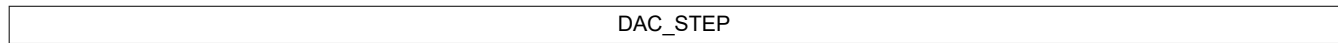
Address 0x000B_0014 – Front End Control 1 DAC Step Register

Address 0x000E_0014 – Front End Control 0 DAC Step Register

Figure 3-13. DAC Step Register (DACSTEP)

17

0



R/W-00 0000 0000 0000 0000

LEGEND: R/W = Read/Write; R = Read only; -n = value after reset

Table 3-6. DAC Step Register (DACSTEP) Register Field Descriptions

Bit	Field	Type	Reset	Description
17-0	DAC_STEP	R/W	00 0000 0000 0000 0000	Programmable 18-bit unsigned DAC Step. Bits 17:10 represent the real portion of the DAC Step (0-255 DAC counts at bit resolution of 0.09765625mV). Bits 9:0 represent the fractional portion of the DAC Step.

3.7.7 DAC Saturation Step Register (DACSATSTEP)

Address 0x0008_0018 – Front End Control 2 DAC Saturation Step Register

Address 0x000B_0018 – Front End Control 1 DAC Saturation Step Register

Address 0x000E_0018 – Front End Control 0 DAC Saturation Step Register

Figure 3-14. DAC Saturation Step Register (DACSATSTEP)

13

0



R/W-00 0000 0000 0000 0000

LEGEND: R/W = Read/Write; R = Read only; -n = value after reset

Table 3-7. DAC Saturation Step Register (DACSATSTEP) Register Field Descriptions

Bit	Field	Type	Reset	Description
13-0	DAC_SAT_STEP	R/W	00 0000 0000 0000	Programmable DAC Saturation Step, LSB equals 0.009765625mV 0 = DAC not adjusted on EADC saturation during ramp (Default) 1 = DAC adjusted by 1 DAC count on EADC saturation during ramp 1023 = DAC adjusted by 1023 DAC counts on EADC saturation during ramp

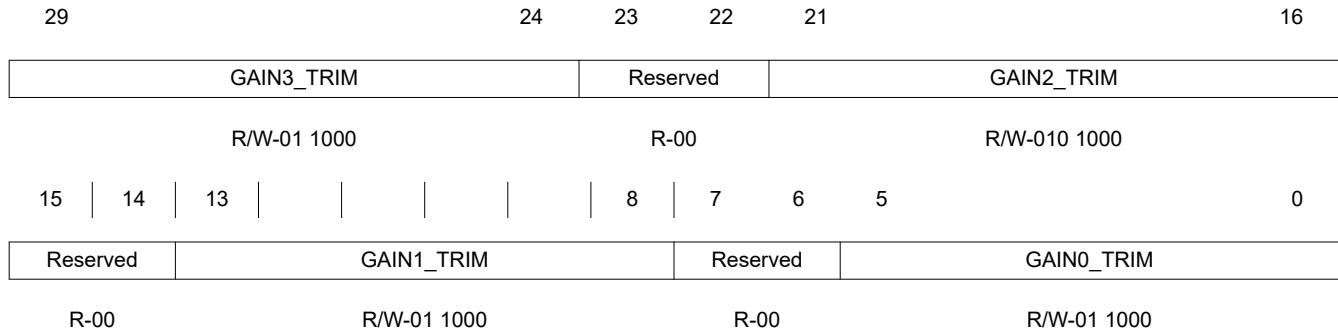
3.7.8 EADC Trim Register (EADCTRIM) – (For Factory Test Use Only)

Address 0x0008_001C – Front End Control 2 EADC Trim Register

Address 0x000B_001C – Front End Control 1 EADC Trim Register

Address 0x000E_001C – Front End Control 0 EADC Trim Register

Figure 3-15. EADC Trim Register (EADCTRIM)



LEGEND: R/W = Read/Write; R = Read only; -n = value after reset

Table 3-8. EADC Trim Register (EADCTRIM) Register Field Descriptions

Bit	Field	Type	Reset	Description
29-24	GAIN3_TRIM	R/W	01 1000	Sets trim for 8X AFE Gain. Register will be programmed during test and should not be overwritten by firmware
23-22	Reserved	R	00	
21-16	GAIN2_TRIM	R/W	01 1000	Sets trim for 4X AFE Gain. Register will be programmed during test and should not be overwritten by firmware.
15-14	Reserved	R	00	
13-8	GAIN1_TRIM	R/W	01 1000	Sets trim for 2X AFE Gain. Register will be programmed during test and should not be overwritten by firmware.
7-6	Reserved	R	00	
5-0	GAIN0_TRIM	R/W	01 1000	Sets trim for 1X AFE Gain. Register will be programmed during test and should not be overwritten by firmware.

3.7.9 EADC Control Register (EADCCTRL)

Address 0x0008_0020 – Front End Control 2 EADC Control Register

Address 0x000B_0020 – Front End Control 1 EADC Control Register

Address 0x000E_0020 – Front End Control 0 EADC Control Register

Figure 3-16. EADC Control Register (EADCCTRL)

28	27	26	25	24			
D2S_COMP_EN		EN_HYST_HIGH		EN_HYST_LOW		SAMP_TRIG_SCALE	
R/W-0		R/W-0		R/W-0		R/W-0000	
23	22	21	20	19	16		
SAMP_TRIG_SCALE		FRAME_SYNC_EN	SCFE_CNT_RST	SCFE_CNT_INIT			
R/W-0000		R/W-0	R/W-0	R/W-0000			
15	14	13	12	11	10	8	
EADC_INV	AUTO_GAIN_SHIFT_MODE	AUTO_GAIN_SHIFT_EN	AVG_WEIGHT_EN	AVG_SPATIAL_EN	AVG_MODE_SEL	EADC_MODE	
R/W-0	R/W-0	R/W-0	R/W-0	R/W-0	R/W-00	R/W-000	
7	6	5	4	3	2	0	
EADC_MODE		AFE_GAIN		SCFE_GAIN_FILTER_SEL	SCFE_CLK_DIV_2	SCFE_ENA	EADC_ENA
R/W-000		R/W-11		R/W-1	R/W-1	R/W-1	R/W-1

LEGEND: R/W = Read/Write; R = Read only; -n = value after reset

Table 3-9. EADC Control Register (EADCCTRL) Register Field Descriptions

Bit	Field	Type	Reset	Description
28	D2S_COMP_EN	R/W	0	Analog Front End Ramp Comparator Enable 0 = Analog Front End Ramp Comparator disabled (Default) 1 = Analog Front End Ramp Comparator enabled
27	EN_HYST_HIGH	R/W	0	Increase comparator trip point by ~70mV 0 = Disables increase of ramp comparator trip point (Default) 1 = Enables increase of ramp comparator trip point
26	EN_HYST_LOW	R/W	0	Decrease comparator trip point by ~70mV 0 = Disables decrease of ramp comparator trip point (Default) 1 = Enables decrease of ramp comparator trip point
25-22	SAMP_TRIG_SCALE	R/W	0000	Provides capability to mask incoming sample triggers to Front End Control 0 = EADC conversion initiated on every received sample trigger (Default) 1 = EADC conversion initiated once every 2 received sample triggers 2 = EADC conversion initiated once every 3 received sample triggers 15 = EADC conversion initiated once every 16 received sample triggers

Table 3-9. EADC Control Register (EADCCTRL) Register Field Descriptions (continued)

Bit	Field	Type	Reset	Description
21	FRAME_SYNC_EN	R/W	0	Enable synchronization of switched cap front end counter to Switching Cycle Frame boundary 0 = Switch Cap Front End Counter not synchronized to frame (Default) 1 = Switch Cap Front End Counter synchronized to frame boundary
20	SCFE_CNT_RST	R/W	0	Force reset of Switched Cap Front End Counter 0 = Switch Cap Front End Counter operational (Default) 1 = Switch Cap Front End Counter reset
19-16	SCFE_CNT_INIT	R/W	0000	Configures initial Switched Cap Front End Counter value out of reset or at start of switching cycle in Peak Current mode
15	EADC_INV	R/W	0	Enables EADC Data Inversion on data to filter module 0 = EADC Data is not inverted (Default) 1 = EADC Data Inverted
14	AUTO_GAIN_SHIFT_MODE	R/W	0	Configures Automatic Gain Shifting mode 0 = Fixed mode, gain shifting dependent on saturation of EADC for decreasing gain and less than 1/4 of dynamic range for increasing gain (Default) 1 = NL mode, gain shifting dependent on Non-Linear limit thresholds
13	AUTO_GAIN_SHIFT_EN	R/W	0	Enables Automatic Gain Shifting mode 0 = Automatic Gain Shifting Mode disabled (Default) 1 = Automatic Gain Shifting Mode enabled
12	AVG_WEIGHT_EN	R/W	0	Enables weighted averaging in EADC averaging mode, only applicable in 4x and 8x averaging mode. For 4x averaging, two oldest samples are each weighted by 1/8, the next oldest sample has a weight of 1/4 and the newest sample is weighted by 1/2. For 8x averaging, the four oldest samples are each weighted by 1/16, the next 2 oldest samples are weighted by 1/8, and the two newest samples are weighted by 1/4. 0 = Weighted averaging disabled (Default) 1 = Weighted averaging enabled
11	AVG_SPATIAL_EN	R/W	0	Enables spatial mode in EADC averaging mode 0 = Consecutive EADC samples averaged based on every received sample trigger from DPWM modules (Default) 1 = EADC samples averaged based on received sample triggers from DPWM modules. 2 sample triggers required for a single averaged sample to filter. 4 sample triggers required for a single averaged sample to filter module
10-9	AVG_MODE_SEL	R/W	00	Averaging Mode Configuration 0 = 2x Averaging (Default) 1 = 4x Averaging 2 = 8x Averaging
8-6	EADC_MODE	R/W	000	Selects EADC Mode Operation 0 = Standard mode, EADC samples based on sample triggers from DPWM module (Default) 1 = Averaging Mode, configured by AVG_MODE_SEL 2 = Non-continuous SAR Mode 3 = Continuous SAR Mode 4 = Reserved 5 = Peak Current Mode 6 = Constant Power/Constant Current Control Mode (CPCC module controls switching between Standard Mode and Non-Continuous SAR Mode) 7 = Constant Power/Constant Current Control 2 Mode (CPCC module controls switching between Standard mode and Continuous SAR Mode)

Table 3-9. EADC Control Register (EADCCTRL) Register Field Descriptions (continued)

Bit	Field	Type	Reset	Description
5-4	AFE_GAIN	R/W	11	AFE Front End Gain Setting 0 = 1x Gain, 8mV/LSB 1 = 2x Gain, 4mV/LSB 2 = 4x Gain, 2mV/LSB 3 = 8x Gain, 1mV/LSB (Default)
3	SCFE_GAIN_FILTER_SEL	R/W	1	Switched Cap Noise Filter Enable 0 = Disables Switch Cap Noise Filter 1 = Enables Switch Cap Noise Filter (Default)
2	SCFE_CLK_DIV_2	R/W	1	Switched Cap Front End Clock Divider Select 0 = Switch Cap Period divide by 2 (128 ns nominal sample period) 1 = Switch Cap Period divide by 1 (Default – 64 ns nominal sample period)
1	SCFE_ENA	R/W	1	Switch Cap Front Enable 0 = Disables Switch Cap Front End logic 1 = Enables Switch Cap Front End logic (Default)
0	EADC_ENA	R/W	1	EADC Enable 0 = Disables EADC 1 = Enables EADC (Default)

3.7.10 Analog Control Register (ACTRL) (For Test Use Only)

Address 0x0008_0024 – Front End Control 2 Analog Control Register

Address 0x000B_0024 – Front End Control 1 Analog Control Register

Address 0x000E_0024 – Front End Control 0 Analog Control Register

Figure 3-17. Analog Control Register (ACTRL)

15					10	9	8
EADC_REF_TRIM					EADC_REF_RESET	EADC_REF_EN	
R/W-000000					R/W-1	R/W-0	
7	5	4	3	2	1	0	
Reserved		EADC_GAIN_CAL	EADC_OFFSET_CAL	INT_REF_SEL	EXT_V_SE_SEL	ANALOG_ENA	
R-000		R/W-0	R/W-0	R/W-1	R/W-0	R/W-1	

LEGEND: R/W = Read/Write; R = Read only; -n = value after reset

Table 3-10. Analog Control Register (ACTRL) Register Field Descriptions

Bit	Field	Type	Reset	Description
15-10	EADC_REF_TRIM	R/W	000000	EADC Reference Trim Value. Bits will be programmed during test and should not be overwritten by firmware.
9	EADC_REF_RESET	R/W	1	EADC Reference Reset 0 = Reference not in reset 1 = Resets Reference (Default)
8	EADC_REF_EN	R/W	0	EADC Reference Enable 0 = Disables EADC Reference (Default) 1 = Enables EADC Reference
7-5	Reserved	R	000	
4	EADC_GAIN_CAL	R/W	0	EADC Gain Calibration Mode Enable 0 = Disables Gain Calibration Mode (Default) 1 = Enables Gain Calibration Mode
3	EADC_OFFSET_CAL	R/W	0	EADC Offset Calibration Mode Enable 0 = Disables Offset Calibration Mode (Default) 1 = Enables Offset Calibration Mode
2	INT_REF_SEL	R/W	1	EADC Reference Select 0 = Selects External Reference for EADC from AD8-AD9 pins. In external mode, DAC_P tied to AD8 and DAC_N tied to AD9. 1 = Selects Internal Reference for EADC from DAC (Default)
1	EXT_V_SE_SEL	R/W	0	EADC Select 0 = Selects Internal V_SE, output from EADC (Default) 1 = Selects External V_SE, bypass EADC
0	ANALOG_ENA	R/W	1	Analog Front End Enable 0 = Disables Analog Front End 1 = Enables Analog Front End (Default)

3.7.11 Pre-Bias Control Register 0 (PREBIASCTRL0)

Address 0x0008_0028 – Front End Control 2 Pre-Bias Control Register 0

Address 0x000B_0028 – Front End Control 1 Pre-Bias Control Register 0

Address 0x000E_0028 – Front End Control 0 Pre-Bias Control Register 0

Figure 3-18. Pre-Bias Control Register 0 (PREBIASCTRL0)

17	16	15	8	7	0
PRE_BIAS_POL	PRE_BIAS_EN	PRE_BIAS_RANGE		PRE_BIAS_LIMIT	
R/W-0	R/W-0	R/W-1111 1111		R/W-0000 0000	

LEGEND: R/W = Read/Write; R = Read only; -n = value after reset

Table 3-11. Pre-Bias Control Register 0 (PREBIASCTRL0) Register Field Descriptions

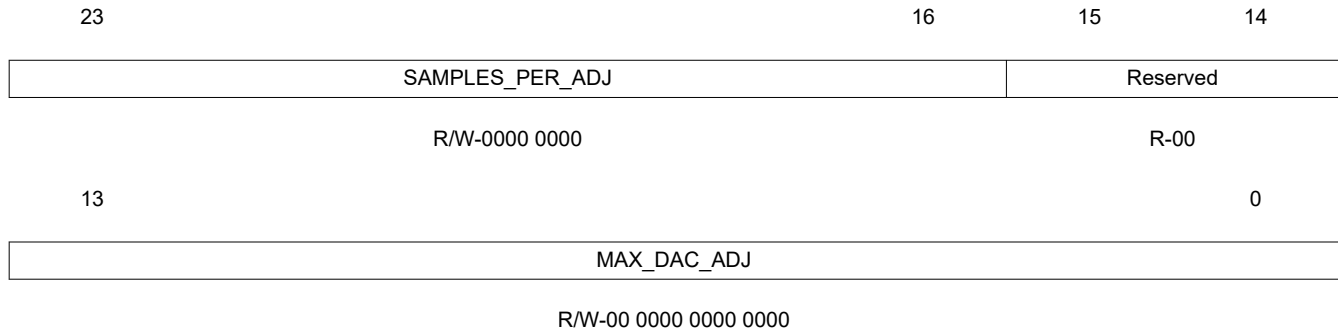
Bit	Field	Type	Reset	Description
17	PRE_BIAS_POL	R/W	0	Configures polarity of received error voltage 0 = Error equals Vref-Vin (Default) 1 = Error equals Vin-Vref
16	PRE_BIAS_EN	R/W	0	Enable Pre-Biasing of Error ADC (Ramp should be disabled during pre-biasing, bit 0 of Ramp Control Register) 0 = Pre-Biasing has not been initiated (Default) 1 = Pre-Biasing by hardware has been enabled
15-8	PRE_BIAS_RANGE	R/W	1111 1111	Sets the acceptable range around the zero error point. If Error ADC value stays in range for number of samples specified by PRE_BIAS_LIMIT (Bits 7:0), PREBIAS_STATUS (Bit 0 of Ramp Status Register) is enabled. Range will be +/- PRE_BIAS_RANGE around zero error point.
7-0	PRE_BIAS_LIMIT	R/W	0000 0000	Sets the acceptable number of samples in which the Error ADC value stays in range before asserting PREBIAS_STATUS (Bit 0 of Ramp Status Register). Counter limit ranges from 0 to 255. If PREBIAS_STATUS is set, it will take PRE_BIAS_LIMIT samples outside of acceptable range before clearing PREBIAS_STATUS.

3.7.12 Pre-Bias Control Register 1 (PREBIASCTRL1)

Address 0x0008_002C – Front End Control 2 Pre-Bias Control Register 1

Address 0x000B_002C – Front End Control 1 Pre-Bias Control Register 1

Address 0x000E_002C – Front End Control 0 Pre-Bias Control Register 1

Figure 3-19. Pre-Bias Control Register 1 (PREBIASCTRL1)


LEGEND: R/W = Read/Write; R = Read only; -n = value after reset

Table 3-12. Pre-Bias Control Register 1 (PREBIASCTRL1) Register Field Descriptions

Bit	Field	Type	Reset	Description
23-16	SAMPLES_PER_ADJ	R/W	0000 0000	Configures the number of EADC samples between Pre-Bias DAC setpoint adjustments 0 = DAC Setpoint adjustment on each EADC sample 1 = DAC Setpoint adjustment after 2 EADC sample 2 = DAC Setpoint adjustment after 3 EADC samples 255 = DAC Setpoint adjustment after 256 EADC samples
15-14	Reserved	R	00	
13-0	MAX_DAC_ADJ	R/W	00 0000 0000 0000	Configures the maximum DAC setpoint adjustment step

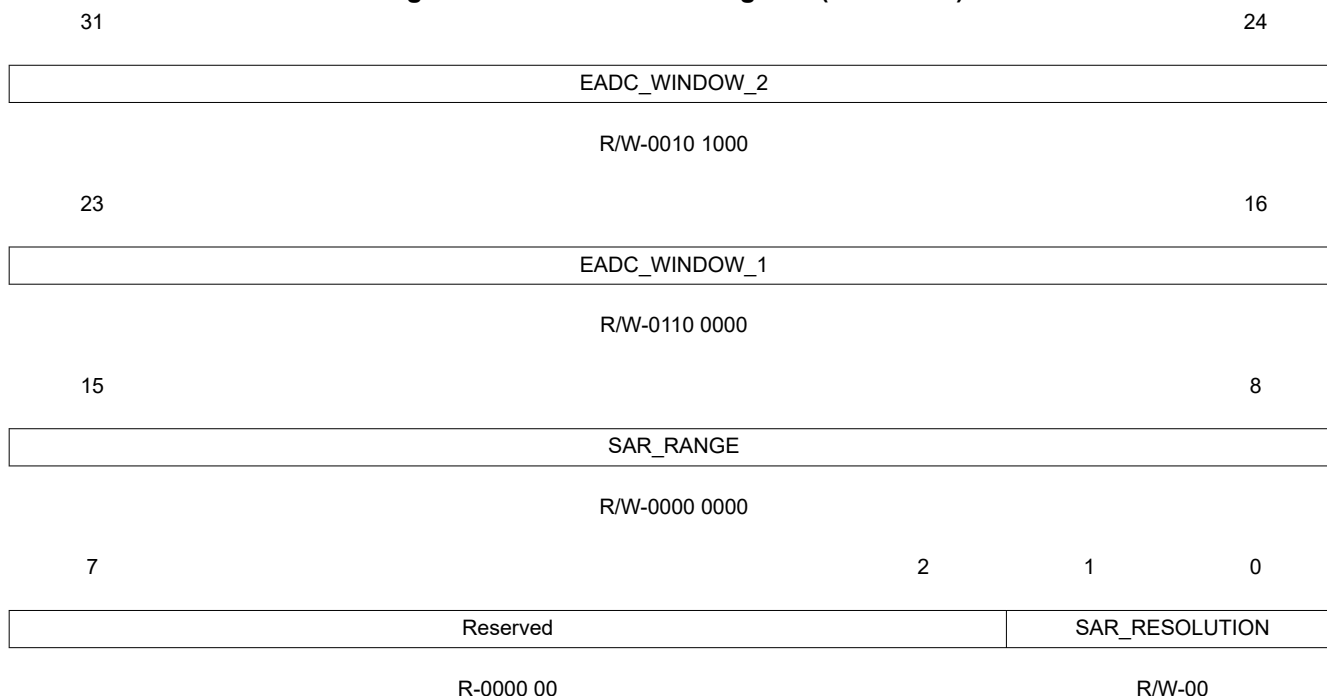
3.7.13 SAR Control Register (SARCTRL)

Address 0x0008_0030 – Front End Control 2 SAR Control Register

Address 0x000B_0030 – Front End Control 1 SAR Control Register

Address 0x000E_0030 – Front End Control 0 SAR Control Register

Figure 3-20. SAR Control Register (SARCTRL)



LEGEND: R/W = Read/Write; R = Read only; -n = value after reset

Table 3-13. SAR Control Register (SARCTRL) Register Field Descriptions

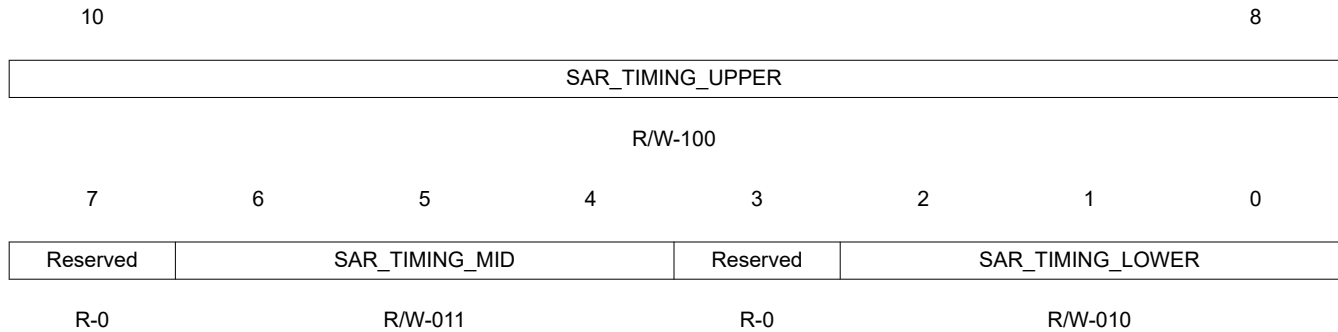
Bit	Field	Type	Reset	Description
31-24	EADC_WINDOW_2	R/W	0010 1000	Configures acceptable range of error values to transition to AFE Gain of 2 during SAR process
23-16	EADC_WINDOW_1	R/W	0110 0000	Configures acceptable range of error values to transition to AFE Gain of 1 during SAR process
15-8	SAR_RANGE	R/W	0000 0000	Configures acceptable range of error values before declaring SAR completion
7-2	Reserved	R	0000 00	
1-0	SAR_RESOLUTION	R/W	00	Configures the final resolution for SAR Conversions 0 = 8mV Resolution, 1x AFE Gain 1 = 4mV Resolution, 2x AFE Gain 2 = 2mV Resolution, 4x AFE Gain 3 = 1mV Resolution, 8x AFE Gain

3.7.14 SAR Timing Register (SARTIMING)

Address 0x0008_0034 – Front End Control 2 SAR Timing Register

Address 0x000B_0034 – Front End Control 1 SAR Timing Register

Address 0x000E_0034 – Front End Control 0 SAR Timing Register

Figure 3-21. SAR Timing Register (SARTIMING)


LEGEND: R/W = Read/Write; R = Read only; -n = value after reset

Table 3-14. SAR Timing Register (SARTIMING) Register Field Descriptions

Bit	Field	Type	Reset	Description
10-8	SAR_TIMING_UPPER	R/W	100	Configures timing for Bits 9:8 of DAC setpoint for SAR Algorithm
7	Reserved	R	0	
6-4	SAR_TIMING_MID	R/W	011	Configures timing for Bits 7:6 of DAC setpoint for SAR Algorithm
3	Reserved	R	0	
2-0	SAR_TIMING_LOWER	R/W	010	Configures timing for Bits 5:0 of DAC setpoint for SAR Algorithm

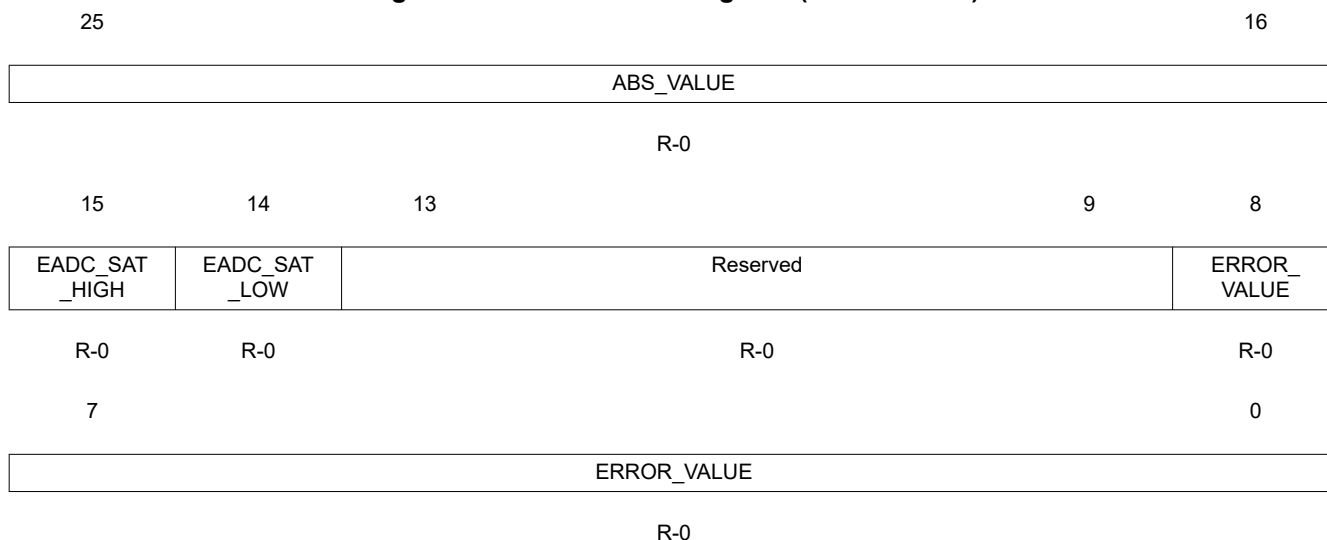
3.7.15 EADC Value Register (EADCVALUE)

Address 0x0008_0038 – Front End Control 2 EADC Value Register

Address 0x000B_0038 – Front End Control 1 EADC Value Register

Address 0x000E_0038 – Front End Control 0 EADC Value Register

Figure 3-22. EADC Value Register (EADCVALUE)



LEGEND: R/W = Read/Write; R = Read only; -n = value after reset

Table 3-15. EADC Value Register (EADCVALUE) Register Field Descriptions

Bit	Field	Type	Reset	Description
25-16	ABS_VALUE	R	0	10-bit Absolute Value calculated by Front End Control Module with a resolution of 1.5625mV/bit
15	EADC_SAT_HIGH	R	0	EADC Saturation High Indicator 0 = EADC output is not saturated at high limit 1 = EADC output is saturated at high limit
14	EADC_SAT_LOW	R	0	EADC Saturation Low Indicator 0 = EADC output is not saturated at low limit 1 = EADC output is saturated at low limit
13-9	Reserved	R	00 000	
8-0	ERROR_VALUE	R	0	Signed 9-bit Error value measured by Front End Control Module with a resolution of 1mV/bit

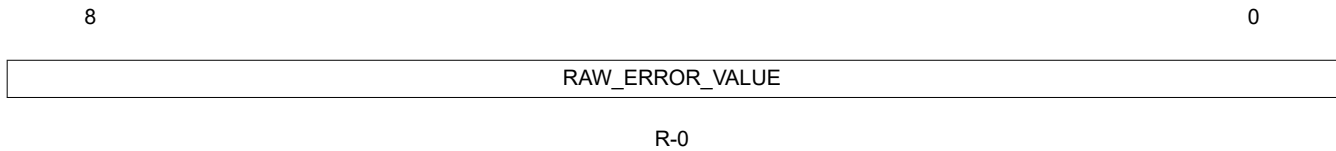
3.7.16 EADC Raw Value Register (EADCRAWVALUE)

Address 0x0008_003C – Front End Control 2 EADC Raw Value Register

Address 0x000B_003C – Front End Control 1 EADC Raw Value Register

Address 0x000E_003C – Front End Control 0 EADC Raw Value Register

Figure 3-23. EADC Raw Value Register (EADCRAWVALUE)



LEGEND: R/W = Read/Write; R = Read only; -n = value after reset

Table 3-16. EADC Raw Value Register (EADCRAWVALUE) Register Field Descriptions

Bit	Field	Type	Reset	Description
8-0	RAW_ERROR_VALUE	R	0	Signed 9-bit Error value measured by Front End Control Module with a resolution of 1mV/bit. Value is raw EADC data before averaging.

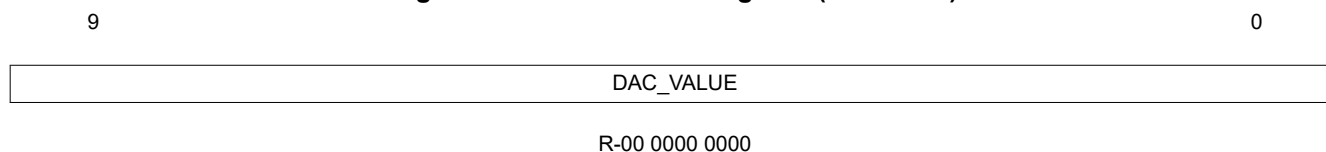
3.7.17 DAC Status Register (DACSTAT)

Address 0x0008_0040 – Front End Control 2 DAC Status Register

Address 0x000B_0040 – Front End Control 1 DAC Status Register

Address 0x000E_0040 – Front End Control 0 DAC Status Register

Figure 3-24. DAC Status Register (DACSTAT)



LEGEND: R/W = Read/Write; R = Read only; -n = value after reset

Table 3-17. DAC Status Register (DACSTAT) Register Field Descriptions

Bit	Field	Type	Reset	Description
9-0	DAC_VALUE	R	00 0000 0000	Current 10-bit Value sent to DAC



The UCD3138 filter is a PID filter with many enhancements for power supply control. Some of its features include:

- PID Based Architecture
- Additional α coefficient and history in D branch
- Programmable Non-Linear Limits for automated modification of filter coefficients based on received EADC error
- Multiple coefficient sets fully configurable by firmware
- Full 24-bit precision throughout Filter calculations
- Programmable clamps on Integrator Branch and Filter Output
- Ability to load values into internal filter registers while system is running
- Ability to stall calculations on any of the individual filter branches
- Ability to clear and stall calculations on any of the individual filter branches
- Duty Cycle, Resonant Period, or phase shift generation based on filter output.
- Flux Balancing
- Voltage feed forward

4.1 Filter Math Details	146
4.2 Filter Status Register	150
4.3 Filter Control Register	150
4.4 XN, YN Read and Write Registers	154
4.5 Coefficient Configuration Register	155
4.6 Kp, Ki, and Kd Registers	156
4.7 Alpha Registers	157
4.8 Filter Nonlinear Limit Registers	157
4.9 Clamp Registers	158
4.10 Filter Preset Register	158
4.11 Filter Registers Reference	159

4.1 Filter Math Details

The Filter uses binary arithmetic. In most cases the precision of the results is preserved at the highest level until the rounding/clamping at the output of the filter. The main exception to this is the extra pole, using alpha, which has to round to a decreased resolution immediately. The filter is relatively complex, so scaling is discussed in sections. After the filter math details are described, the registers which control the filter are documented.

4.1.1 Filter Input and Branch Calculations

Here is a block diagram of the first part of the filter, with bit width information:

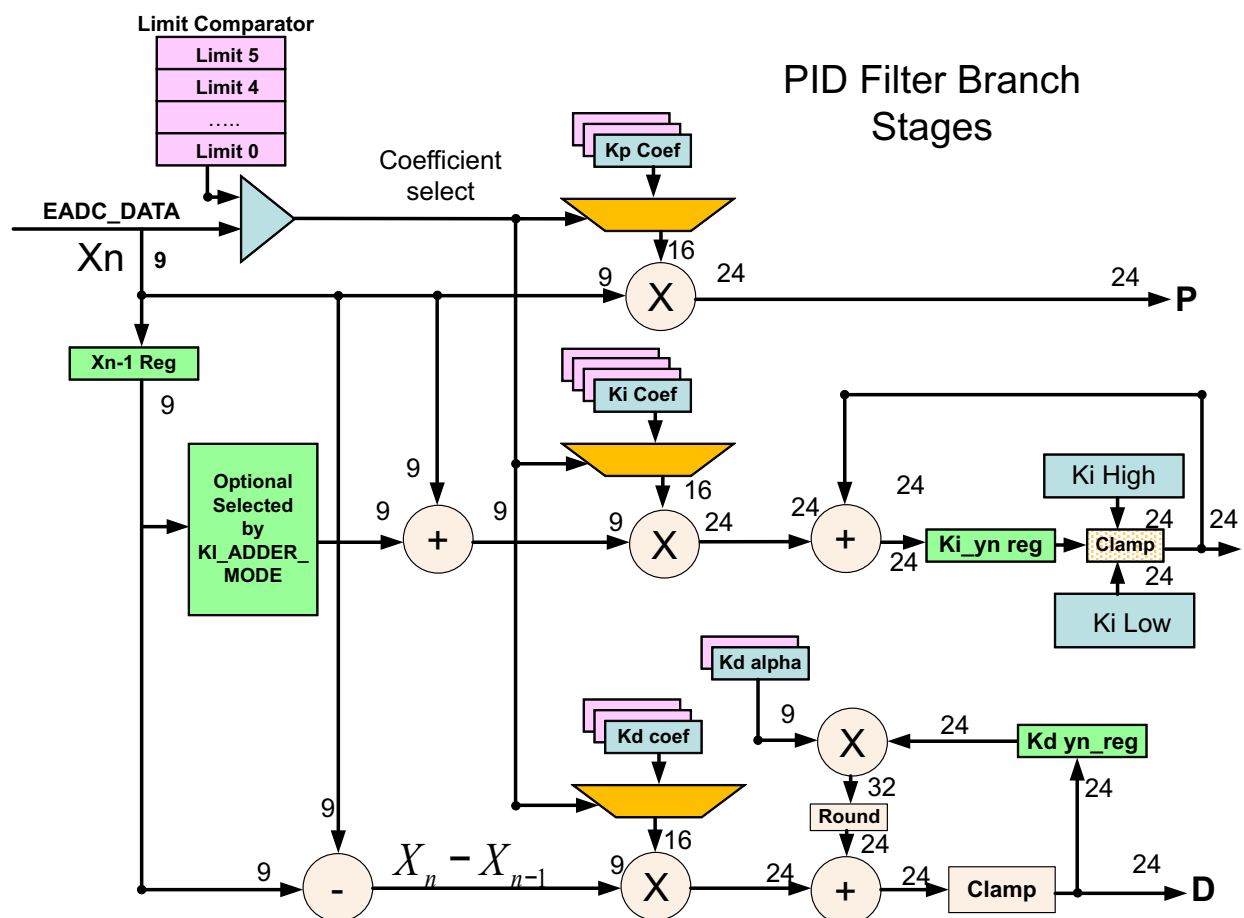


Figure 4-1.

All values shown in the filter are signed numbers, with the most significant bit going to the sign bit. All are treated as being normalized to 1.

The main input to the filter is a 9 bit signed value from an Error ADC. It is shown on the upper left as X_n . It goes to the input for filter calculations, and it also goes to a digital comparator. The Filter provides for nonlinear calculations, with up to 7 different coefficient sets selected by the X_n value. This can be used to change the compensation of the filter with different input error ranges. For a complete discussion of this feature, see [Section 4.3.6](#).

4.1.2 Proportional Branch

The X_n value is used directly as an input to the Proportional (P) branch of the filter. It is multiplied by the 16 bit signed K_p coefficient, and the 24 bit result is used as the output of the P branch. When multiplying two signed numbers in binary arithmetic, an extra sign bit is generated. Because of this, 9 bits times 16 bits gives 24 meaningful bits, not 25.

No clamp is needed on the proportional branch. It is self-limiting, because it has no memory. It will never exceed 24 bits. If a lower maximum output is desired from the proportional branch, it can be achieved by reducing the value of K_p .

4.1.3 Integral Branch

There are two options for the use of X_n in the Integrator (I) input. The current X_n can be used by itself, or the current X_n can be added with the previous X_{n-1} . Doing the addition provides a trapezoidal approximation, which is sometimes considered theoretically superior to a single point. However, since the output of the adder is also 9 bits, if the X_n and X_{n-1} values add up to more than 255 or less than -256, the output of the adder will be clamped at those values.

This will only occur at the lowest gain setting of the Error ADC. So if the lowest gain setting of the EADC is to be used, trapezoidal approximation may cause premature saturation on the input.

The X_n value, or the $X_n + X_{n-1}$ sum is multiplied by the K_i coefficient. Note that the trapezoidal mode will normally have double the output of the simple X_n value. This will change the overall gain of the I stage by a factor of two. This must be taken into account if the X_n addition mode is changed.

The output of this multiplication will always fit within 24 bits. This value is then added to the existing I value. The hardware will automatically clamp it at a 24 bit signed number, and there are high and low clamp registers available which can be used to clamp it to lower values. There are also status register bits that will be set if the input value exceeds the clamp.

The clamped value is fed to the next stage of the filter, and is also fed back to be added to the next $X_n * K_i$ value when it is calculated.

4.1.4 Differential Branch

On the Differential (D) branch, X_{n-1} is subtracted from X_n . The difference between the two most recent X values is then multiplied by K_d , giving a 24 bit signed number.

The D branch has an additional pole added after this multiplication, giving more control of the filter response to permit better matching to the power supply plant. This D alpha branch acts as an integrator on the output of the D stage. With each filter calculation, the 24 bit result of the previous D and D alpha calculation is multiplied by the 9 bit K_α (K_α). This gives a 32 bit signed result. To match the 24 bit data path, this must be rounded back down to 24 bits. This is the one rounding that actually takes place in the filter before the filter output.

There is also a simple clamp to prevent the K output from going outside a 24 bit signed number. Because of the integral element for the alpha stage, it is possible for it to exceed this range.

4.1.5 Add, Saturate, Scale and Clamp

Here is a diagram of the next section of the filter:

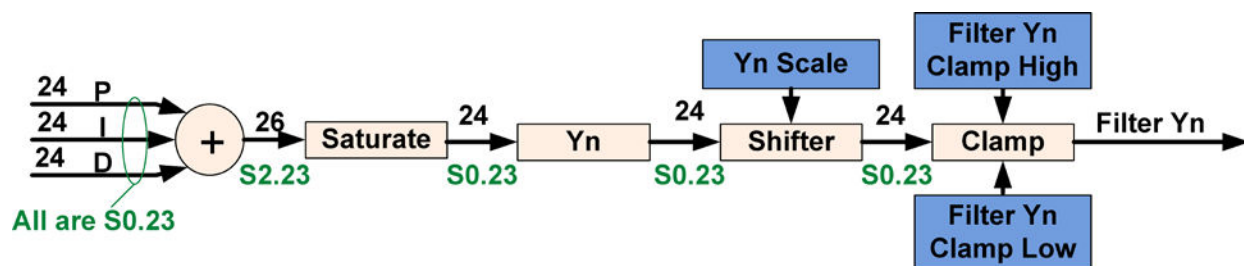


Figure 4-2.

The S0.23 notation means a 24 bit number with 1 sign bits to the left of the binary point and 23 bits to the right of the point, meaning a range from $1 - 2^{-23}$ to -1 . 2.23 means a number with 1 sign bit and 2 magnitude bits to the left of the binary point, and 23 magnitude bits to the right.

This section of the filter adds the P, I, and D outputs together, giving a potential 26 bit result. Saturation logic clamps this back down to 24 bits. If the value is above the maximum value for 24 bits, the output of the saturation logic will be set to the maximum (0x7ffff or 8388607) Negative values out of range will be clamped to the most negative value.

The output of the saturation section goes to a programmable shifter which can be programmed for 8 different shifts, including no shift at all. This can be used to compensate for the scaling of the filter coefficients.

After the scaling, there is a clamp with independent clamp high and clamp low values which are set by writing to registers. This clamp also has status bits which are set when the clamp limits are exceeded.

Note however, that there is no saturation unit at this point. Bits over 24 are simply truncated and ignored. If the shifter is set to shift by 0, or to shift to the right, all input numbers will give the expected result. If a left shift is used, the programmer must make sure that the result will always fit within 24 bits, or results may be unexpected.

4.1.6 Filter Output Stage

Here is the final stage of the filter:

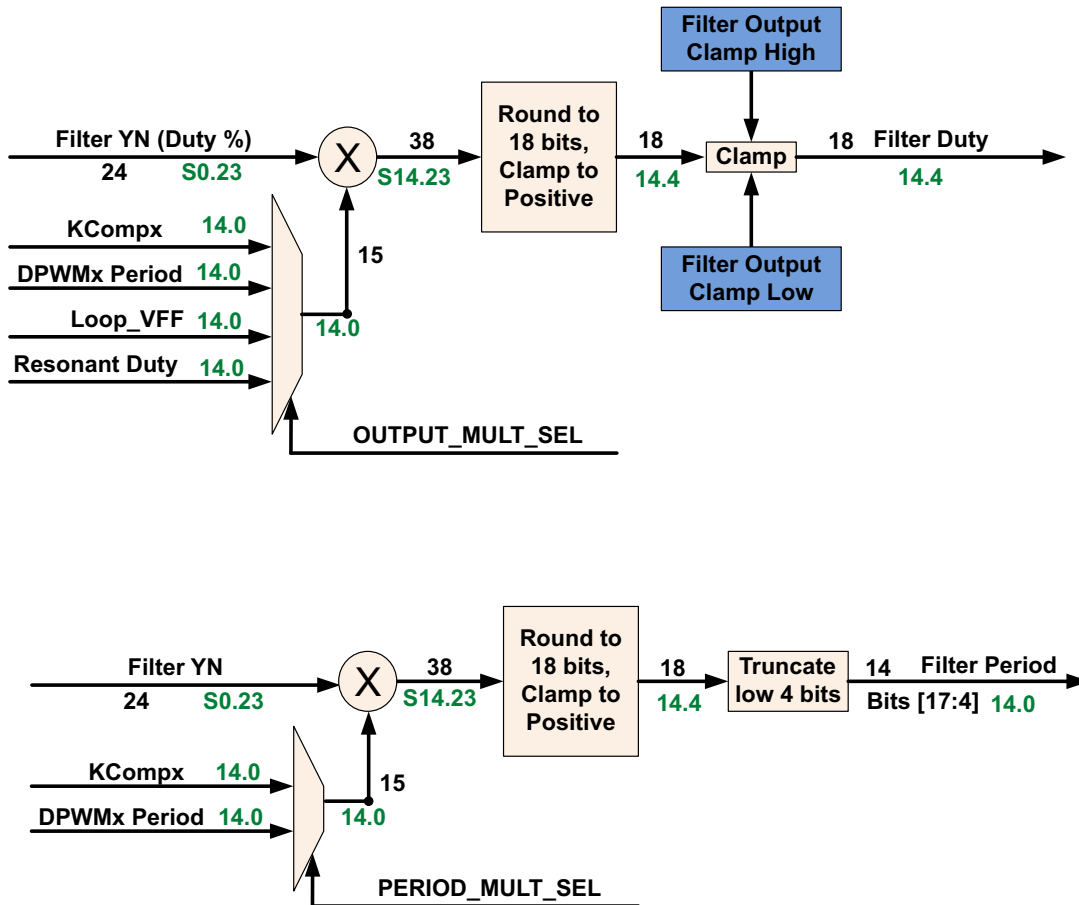


Figure 4-3.

This stage converts the filter output to match the input requirements of the DPWM. Two different calculations are performed sequentially, using the same multiplier, but with different settings. One calculation provides a DPWM duty value, and the other provides a DPWM period value. In many topologies, only the duty value is used. In LLC, both values are used.

At the start of this stage, the PID output is multiplied by one of several 14 bit unsigned numbers, giving a 38 bit output. For the Filter Duty calculation, there are 4 numbers which can be used. See [Section 4.3.8](#) for a discussion of these numbers. For the Filter Period calculation, only 2 numbers can be selected.

After the multiplication, there is a 38 bit signed result. Negative values are clamped to zero and the sign bit is removed. This gives a 37 bit positive result. This number is rounded to the 18 most significant bits. This section is the same for both calculations.

After rounding and clamping, the two outputs are handled differently. The Filter Duty value is clamped using the values in the Filter Output Clamp High Register (FILTEROCLPHI) and the Filter Output Clamp Low Register (FILTEROCLPLO). After that, the Filter Duty value is used by the DPWM as a time value. It is considered a 14.4 bit value, with the low 4 bits going to the high resolution section of the DPWM. So the resolution of the Filter Duty value is 250 psec.

The Filter Period value gets no clamp. The DPWM Period does not support high resolution, so the low 4 bits from the 18 bit result are truncated. The Filter Period only presents the high 14 bits to the DPWM, giving a resolution of a nominal 4 nanoseconds.

Here is an example of a typical use of the Filter Output Stage:

Filter YN (50% Duty) 0x400000 or 4194304

X DPWM Period (100 kHz) 0x9C4 or 2500

=

0x271000000 or 10485760000

Shift right by 19 bits and round: 0

x4E20 or 20000

This result is what goes to the DPWM, with high resolution.

To convert it back to the period scale and check results, we can divide by 16, which is the same as shifting right by 4 bits. This gives:

0x4e2 or 1250,

which is half the period, so we do get a 50% duty cycle.

4.2 Filter Status Register

The Filter status register has 5 bits.

FILTER_BUSY

YN_LOW_CLAMP

YN_HIGH_CLAMP

KI_YN_LOW_CLAMP

KI_YN_HIGH_CLAMP

The FILTER_BUSY bit is high when the filter is calculating. This calculation time is very short, only a few instruction cycles. It is very difficult to reliably detect the high time of the Filter Busy bit.

The other bits are written to each time the filter calculation is complete. They reflect the result of the most recent filter calculation.

4.3 Filter Control Register

The Filter Control Register (FILTERCTRL) has 13 fields. They are used to configure the filter operation. Filter sources and destinations are set in the Loop Mux registers

KI_ADDER_MODE

PERIOD_MULT_SEL

OUTPUT_MULT_SEL

YN_SCALE

NL_MODE

KD_STALL

KI_STALL

KP_OFF

KD_OFF KI_OFF

FORCE_START

USE_CPU_SAMPLE F

FILTER_EN

4.3.1 Filter Enable

The Filter Enable (FILTER_EN) bit enables the filter. Unlike the DPWM and Front End, there are no filter enable bits in the GLBEN (Global Enable) Register in the Loop Mux registers. These bits are unnecessary for the filter because it only operates when it is triggered by the Front End or some other external event. The default for the Filter Enable bit is a 1, which enables the filter. If the filter is disabled after running for at least one cycle, the value sent to the DPWM will continue to control the DPWM. In addition, the last Filter Status state will also remain.

4.3.2 Use CPU Sample

The CPU Sample bit (USE_CPU_SAMPLE) is used for open loop testing of the Filter and DPWM configuration, or in other cases where a firmware input to the Filter is desired. If the USE_CPU_SAMPLE bit is set, the Filter input comes from the CPU_SAMPLE bit field in the CPU Xn register (CPUXN).

Here is an example of using CPU_SAMPLE:

```
Filter1Regs.FILTERCTRL.bit.USE_CPU_SAMPLE = 1; //enable CPU sample
Filter1Regs.CPUXN.bit.CPU_SAMPLE = -34; //put negative value into CPU sample
```

4.3.3 Force Start

The FORCE_START bit triggers a single filter calculation. It can be used with the CPU_SAMPLE value to run a controlled calculation in the filter. If CPU Sample is not enabled, it will use whatever input is selected for this filter.

4.3.4 Kp Off, Kd Off, Ki Off

The KP_OFF, KD_OFF, and KI_OFF bits disable these sections of the filter, and replace those values with a zero. They also clear any history to a zero where it is present (I and D). Note that the history values are loaded with a zero the next time the filter is triggered. Normally the EADC is triggered by a sample trigger signal from a DPWM module. When the EADC conversion is complete, the filter is triggered. The filter can also be triggered by writing a 1 to the FORCE_START bit in the FILTERCTRL register. If neither of these events happens, the history will not be reset. So if the DPWM is not running, the history will not be cleared. Even if the DPWM is running, writing a 1 followed by a 0 to the KD and KI_OFF bits will not always clear the history. It depends if the filter is triggered and run while the bits are 1. If a quick clear is desired, use the FILTERPRESET register instead.

4.3.5 Kd Stall, Ki Stall

The KD_STALL and KI_STALL registers stall these filter elements at their current value. They do not reset them. They are useful for suppressing response to transients when such response is not desirable.

4.3.6 Nonlinear Mode

The NL_MODE bit selects which nonlinear mode is used. 0 is for asymmetric mode, while 1 selects symmetric mode. Refer to [Section 4.5](#) through [Section 4.8](#) for more information.

4.3.7 Output Scaling

The 3 OUTPUT_SCALE bits permit shifting of the filter output. This gives flexibility in the scaling of the filter peripherals. It is a 2's complement number, where 0 means no shift, 1 means a shift right by 1, 2 means shift right by 2, -1 means shift left by 1, and so on.

```
Filter1Regs.FILTERCTRL.bit.OUTPUT_SCALE = -3; //shift filter output left by 3
```


4.3.8 Output Multiplier Select

The OUTPUT_MULT_SEL bits select what value is multiplied by the filter output to determine the DPWM pulse width. See the [Section 5.14.6](#) for specific bit assignments. The options are:

1. KComp - This enables special scaling of the output to the DPWM independent of the period.
2. Switching Period – This results in the Filter output translating directly to a DPWM on-time percentage. Full scale on the filter output will equal a 100 % on time.
3. Feed Forward value – This permits the output of the filter to be controlled by the output of another filter. This could be, for example, a voltage feed-forward value
4. Resonant Duty value received from the DPWM module - This is used for resonant mode, for example for LLC architecture.

Note that the default is KComp. This is not intuitive, especially for users of the UCD3000 series digital power controller. They UCD3000 had no options in this area, period was always used. It is easy to overlook this bitfield when setting up for a simple period based system. The OUTPUT_MULT_SEL register works with the FILTERMUX register in the Loop Mux for value selections. FILTERMUX selects which KComp is used, which DPWM Period is used, and which Filter output is used for Feed Forward. Resonant Duty also comes from a DPWM module and is also selected by FILTERMUX. See 5.4 Filter Mux Register (FILTERMUX).

Switching Period is provided by the DPWM. The default is the value from the DPWM Period register, and this is used for most topologies. However, there are two other DPWM registers which can also be sent to the Filter for this value. See 2.17.3 Filter Duty Select, for more details.

4.3.9 Switching Period as Output Multiplier

Using the Switching Period as an output multiplier leads to the DPWM duty being directly proportional to the Filter output, with a full range output being equal to about 100% of the period. Here is the bit pattern of the multiply:

The filter output is a 24 bit signed number, with a range from 0x7ffff (8388607) to 0x800000 (-8388608).

All of the output multipliers are unsigned 14 bit numbers with a range from 0x3fff (16383) to 0.

The product of these two numbers is a 38 bit number. This number is then scaled and rounded down to a 18 bit number and used for the high resolution events in the DPWM.

So suppose that the filter output is at about 50% or 4194304. If the period is the same as the example above, 2500, the product of the two will be 10485760000. To reduce this from a 38 bit signed number to a 18 bit unsigned number, we drop the sign bit off the top and divide by 2^{19} . Negative filter outputs make no sense in terms of DPWM timing, so they will be clamped to zero.

Dividing by 2^{19} gives a result of 20000. This is a high resolution value for the 4 GHz clock of the DPWM. To convert it to the lower resolution, 250 MHz clock used for the period, we need to divide by 16. This gives a result of 1250, or half the period. Other filter output values follow the exact same scaling.

There is a register in the Loop Mux, the FILTERMUX register, which selects the period source for each filter.

See [Section 5.14](#) for more information on this register. Here is an example of its use:

```
LoopMuxRegs.FILTERMUX.bit.FILTER0_PER_SEL = 2; //use DPWM2 period for filter 0
```

4.3.10 KComp as Output Multiplier

Using KComp as an output multiplier can be useful in places where the DPWM output is limited to less than 100%, for example. This can permit using the whole dynamic range of the Filter for a more limited range, and remove the need for output clamping. The scaling works exactly the same, except the 14 bit KCOMP value is used instead of the 14 bit period value.

This option also makes it possible to change the gain of the Filter dynamically without change pole and zero positions. It can also be used to increase the gain of the Filter beyond what the normal Filter structure supports. It is also used to match up the PWM and Resonant mode waveforms in the LLC configuration.

There are registers in the Loop Mux which contain KCOMP values and select which of 3 KCOMP values is used for each filter.

Here is an example of a code which would provide a maximum output of 50%:

```
#define SWITCHING_PERIOD 2500 // 250 MHz clock divided by period of 100 KHZ
Dpwm0Regs.DPWMPRD.bit.PRD = SWITCHING_PERIOD;
LoopMuxRegs.FILTERKCOMP0.bit.KCOMP0 = SWITCHING_PERIOD >> 1;
//KCOMP = period/2
LoopMuxRegs.FILTERMUX.bit.FILTER0_KCOMP_SEL = 0; //select KCOMP0 for filter 0
Filter1Regs.FILTERCTRL.bit.OUTPUT_MULT_SEL = 0; //Multiply output by KCOMP
```

This approach yields 1 more bit of filter resolution than clamping the Filter output at 50%, which should reduce the size of any limit cycling.

4.3.11 Feed Forward as Output Multiplier

When the feed forward is selected as the output multiplier, the multiplier value is the most significant 14 bits of the filter output from a different filter. The FILTERMUX register in the Loop Mux is also used to select this filter. Configuring the link between the two filters is simple and is shown below. The actual filter settings and operation for feed forward are available in the Hard Switching Full Bridge EVM (UCD3138HSFBEM-029) reference code from Texas Instruments.

Here is an example of link code:

```
LoopMuxRegs.FILTERMUX.bit.FILTER0_FFWD_SEL = 0; //select Filter1 as ffw input
LoopMuxRegs.FILTERMUX.bit.FILTER0_FFWD_SEL = 0;
//select feed forward as output multiplier
```

See [Section 4.11.2](#) in [Section 4.11](#) for more information on these bit fields.

4.3.12 Period Multiplier Select

The Filter has a second output. In addition to Filter Duty, there is Filter Period.

The PERIOD_MULT_SEL bit is used to select the multiplier for Filter Period.

The only options are DPWM Period and KCOMP. Filter Period is used in LLC topologies so that the Filter can control the switching frequency of the power supply

4.3.13 Ki Adder Mode

The KI_ADDER_MODE bit selects from two modes for calculating the input to Ki.

A 1 in KI_ADDER_MODE will select a trapezoidal mode which adds X_n and X_{n-1} . At the lowest AFE gain setting, this may lead to saturation of the calculation.

With a 0 in the KI_ADDER_MODE bit, only X_n is used as an input to the integrator. This does not provide trapezoidal calculations, but it does avoid any saturation issues. For a more complete description see 4.1.3 Integral Branch.

4.4 XN, YN Read and Write Registers

There are several registers which allow access to dynamic values inside the filter. For register formats, consult the [Section 4.11](#) below.

4.4.1 CPU Xn Register

The CPUXN register is used in the CPU Sample mode described above. This is where the firmware writes the CPU controlled value in CPU Sample mode. See [Section 4.3.2](#).

4.4.2 Filter XN Read Register

This register provides both Xn and Xn-1 for read by the firmware.

4.4.3 Filter YN Read Registers

There are three read registers for internal filter results:

FILTERKIYNREAD

FILTERKDYNREAD

FILTERYNREAD

These provide the outputs of the Integrator, Differentiator, and the total filter.

The proportional output is not provided. It can be determined by multiplying Xn by KP, or by subtracting KiYn and KdYn from Yn.

4.5 Coefficient Configuration Register

The COECONFIG register is used to configure filter coefficients for nonlinear mode. Each Filter coefficient has from 2 to 4 values which are programmable via Filter registers. Kp, Ki, and Kd are arranged into 7 coefficient sets as shown in Figure 4-4.

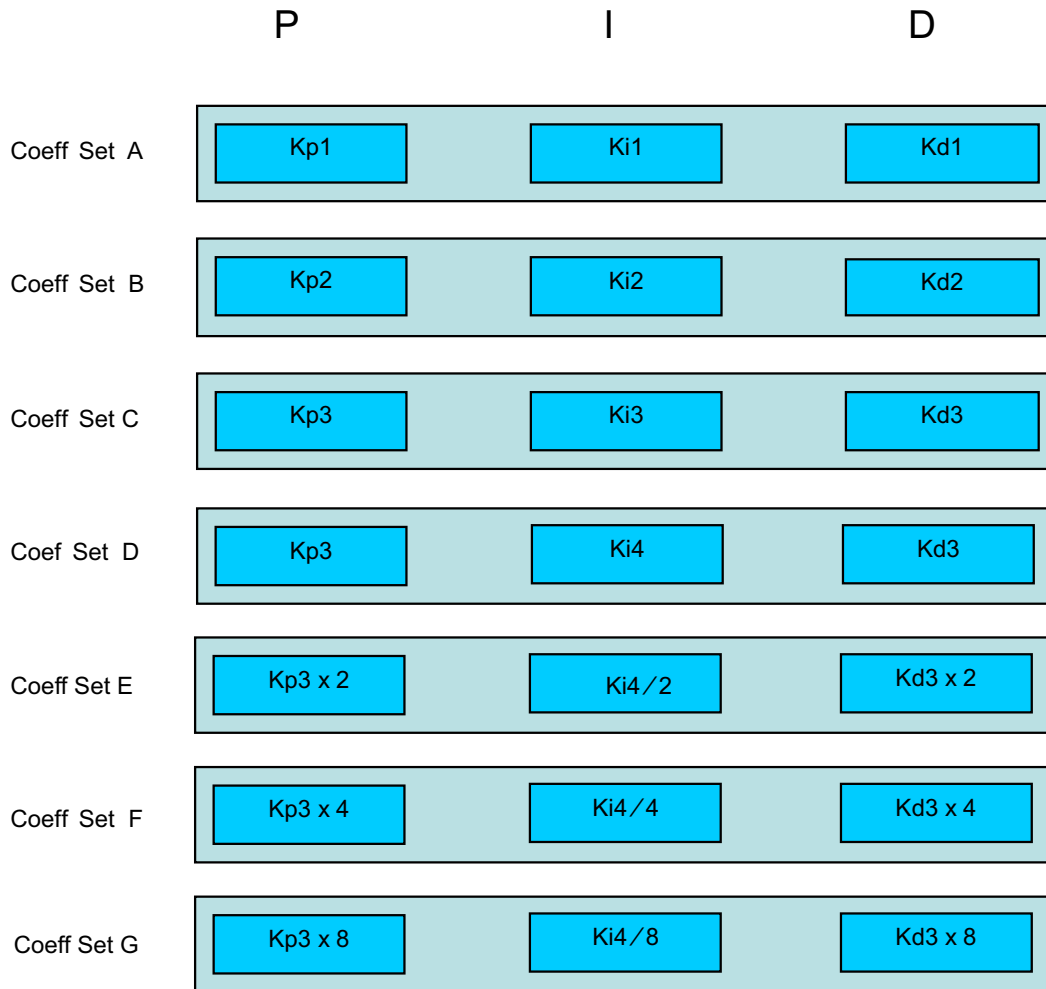
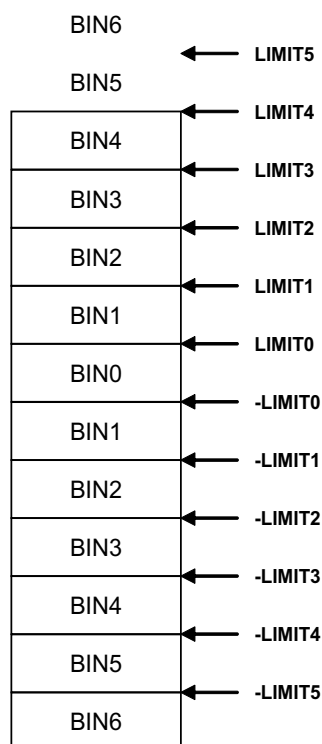


Figure 4-4.

These sets are designed so that bandwidth increases as the set goes from A to G. These sets can be mapped in any possible combination into 7 bins, numbered from Bin 0 to Bin 6.

These bins are selected based on the nonlinear limit register contents and the Xn value into the filter. There are two options – symmetrical and non-symmetrical. Here are the bins for the two modes:

Symmetric (13 Bins)



Non-Symmetric (7 Bins)

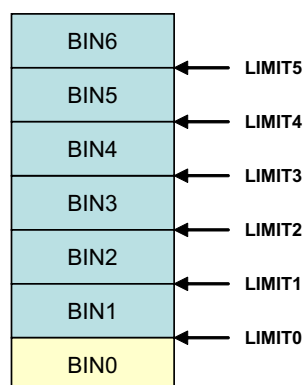


Figure 4-5.

There are many possible combinations. In symmetric mode, if bandwidth is to increase as error increases, then Bin 0 could be set to Coefficient Set A, Bin 1 set to Coefficient Set B, and so on.

If fewer bins are desired, then Bins 0 and 1 could both be set to Coefficient Set A, Bins 2 and 3 to B, and so on.

The default configuration is the non-symmetric mode, with all bins set to Coefficient Set A.

Limit values must be increasing, with limit 0 the lowest possible value, Limit 1 higher, and so on. In symmetric mode, all limit values must be positive.

Each bin has a separate bit which selects one of the 2 alpha values.

Here is a code example which uses all the Coefficient sets with increasing bandwidth for increasing error:

```

Filter0Regs.COEFCONFIG.bit.BIN0_CONFIG = 0; //coefficient set A
Filter0Regs.COEFCONFIG.bit.BIN1_CONFIG = 1; //coefficient set B
Filter0Regs.COEFCONFIG.bit.BIN2_CONFIG = 2; //coefficient set C
Filter0Regs.COEFCONFIG.bit.BIN3_CONFIG = 3; //coefficient set D
Filter0Regs.COEFCONFIG.bit.BIN4_CONFIG = 4; //coefficient set E
Filter0Regs.COEFCONFIG.bit.BIN5_CONFIG = 5; //coefficient set F
Filter0Regs.COEFCONFIG.bit.BIN6_CONFIG = 6; //coefficient set G
Filter0Regs.COEFCONFIG.bit.BIN0_ALPHA = 0; //alpha 0
Filter0Regs.COEFCONFIG.bit.BIN1_ALPHA = 0; //alpha 0
Filter0Regs.COEFCONFIG.bit.BIN2_ALPHA = 0; //alpha 0
Filter0Regs.COEFCONFIG.bit.BIN3_ALPHA = 0; //alpha 0
Filter0Regs.COEFCONFIG.bit.BIN4_ALPHA = 1; //alpha 1
Filter0Regs.COEFCONFIG.bit.BIN5_ALPHA = 1; //alpha 1
Filter0Regs.COEFCONFIG.bit.BIN6_ALPHA = 1; //alpha 1

```

4.6 Kp, Ki, and Kd Registers

There are several registers which hold the Kp, Ki, and Kd coefficients:

FILTERKPCOEF0

FILTERKPCOEF1

FILTERKICOEF0

FILTERKICOEF1

FILTERKDDOEF0

FILTERKDCOEF1

These registers hold all of the coefficients for the PID for the various coefficient sets as described above. For specific details, see the Filter Reference chapter below. All of the K coefficients are 16 bit signed numbers. They are stored 1 or 2 per register. Systems which do not use nonlinear mode only need to load Coefficient Set A. Here is an example:

```
Filter1Regs.FILTERKPCOEF0.bit.KP_COEF_0 = 500;
Filter1Regs.FILTERKICOEF0.bit.KI_COEF_0 = 150;
Filter1Regs.FILTERKDCOEF0.bit.KD_COEF_0 = 250;
```

4.7 Alpha Registers

The FILTERKDALPHA register holds the two alpha coefficients which can be selected by the BINx_ALPHA bits in the COEFCONFIG register. Alpha is stored as a 9 bit signed number. Here is an example which only loads KD_ALPHA_0:

```
Filter1Regs.FILTERKDALPHA.bit.KD_ALPHA_0 = 134;
```

4.8 Filter Nonlinear Limit Registers

There are 6 nonlinear limits, as shown above in [Section 4.5](#). These are 9 bit signed numbers, although they must be positive for symmetric mode. They are stored 2 to a register in three registers:

FILTERNL0

FILTERNL1

FILTERNL2

Here is a code example loading them for symmetric mode:

```
Filter1Regs.FILTERNL2.bit.LIMIT5 = 218; //symmetric values
Filter1Regs.FILTERNL2.bit.LIMIT4 = 182;
Filter1Regs.FILTERNL1.bit.LIMIT3 = 145;
Filter1Regs.FILTERNL1.bit.LIMIT2 = 109;
Filter1Regs.FILTERNL0.bit.LIMIT1 = 72;
Filter1Regs.FILTERNL0.bit.LIMIT0 = 36;
```

4.9 Clamp Registers

There are 3 clamps in the filter structure, for the integrator, the output of the PID filter, and the output after the feed forward multiplier. The integrator and filter clamps are signed 24 bit numbers, like the output of the integrator and filter are. The overall output clamp is an unsigned 18 bit number, like the overall output.

Here is an example of clamping everything to a range from 10% to 50% of full scale.

```
Filter2Regs.FILTERYNCLPHI.bit.YN_CLAMP_HIGH = 0x400000; //50% of full scale
Filter2Regs.FILTERYNCLPLO.bit.YN_CLAMP_LOW = (int)(((float)0x800000) *.1);
//10% of full scale
Filter2Regs.FILTERKICLPHI.bit.KI_CLAMP_HIGH = 0x400000; //50% of full scale
Filter2Regs.FILTERKICLPLO.bit.KI_CLAMP_LOW = (int)(((float)0x800000) *.1);
//10% of full scale
Filter2Regs.FILTEROCLPHI.bit.OUTPUT_CLAMP_HIGH = 0x20000; //50% of full scale
Filter2Regs.FILTEROCLPLO.bit.OUTPUT_CLAMP_LOW = (int)(((float)0x40000) *.1);
//10% of full scale
```

4.10 Filter Preset Register

The FILTERPRESET register is used to preset the values in several calculated registers within the filter. Digital filter calculation has higher priority over the Presetting logic.

If the Filter is updating the target register with its calculated value exactly when the Filter Preset is enabled, the target register in the Filter is not written by preset.

Therefore in order for the presetting to be successful every time, you have to first make sure no calculation (Number Crunching) is executing inside the filter.

The two ways to insure that the digital filter is not calculating are:

1. To disconnect the EADC Triggering signal between the DPWM and EADC and wait for the previously initiated calculation to end .
2. Disable the digital filter before the presetting.

In case the EADC triggering signal is connected to more than one source or as extra level of precaution, you can both disconnect the triggering and disable the filter.

There are three bit fields in the Filter Preset Register. The PRESET_EN bit is set to enable the preset. The 3 PRESET_REG_SEL bits select which register will be preset, see the [Section 4.11.25](#) for the exact values. Finally, the value to be preset is loaded into the PRESET_VALUE bits.

Here is an example code for using the preset register:

```
Filter0Regs.FILTERCTRL.bit.USE_CPU_SAMPLE = 0;
Filter0Regs.FILTERCTRL.bit.FORCE_START = 0;
LoopMuxRegs.SAMPTRIGCTRL.bit.FE0_TRIG_DPWM0_EN = 0; //Turn off DPWM trigger
asm("  nop"); //4 NOPS to let any Filter calculations to complete
asm("  nop");
asm("  nop");
asm("  nop");
Filter0Regs.FILTERCTRL.bit.FILTER_EN = 0; //Disable Filter
//PRESET YN to 0
Filter0Regs.FILTERPRESET.bit.PRESET_REG_SEL = 3; //Preset Filter0Regs.FILTERPRESET.bit.PRESET_VALUE
= 0;
Filter0Regs.FILTERPRESET.bit.PRESET_EN = 1;
asm("  nop"); // wait for the preset to take effect
// Preset of other filter registers (XN_M1, KI_YN, KD_YN,..) can be added here
Filter0Regs.FILTERCTRL.bit.USE_CPU_SAMPLE = 1; // Set use_cpu_sample
Filter0Regs.FILTERCTRL.bit.FILTER_EN = 1; // Enable Filter
Filter0Regs.FILTERCTRL.bit.FORCE_START = 1; // Force Start
Filter0Regs.FILTERCTRL.bit.FORCE_START = 0; // Clear Force Start
Filter0Regs.FILTERCTRL.bit.USE_CPU_SAMPLE = 0; //Release the use cpu sample
LoopMuxRegs.SAMPTRIGCTRL.bit.FE0_TRIG_DPWM0_EN = 1; //Turn on DPWM trigger
```

4.11 Filter Registers Reference

Registers for Filter Modules 0-2 are identical in their bit definitions.

4.11.1 Filter Status Register (FILTERSTATUS)

Address 00060000 – Filter 2 Status Register

Address 00090000 – Filter 1 Status Register

Address 000C0000 – Filter 0 Status Register

Figure 4-6. Filter Status Register (FILTERSTATUS)

	4	3	2	1	0
FILTER_BUSY	YN_LOW_CLAMP	YN_HIGH_CLAMP	KI_YN_LOW_CLAMP	KI_YN_HIGH_CLAMP	
R-0	R-0	R-0	R-0	R-0	R-0

LEGEND: R/W = Read/Write; R = Read only; -n = value after reset

Table 4-1. Filter Status Register (FILTERSTATUS) Register Field Descriptions

Bit	Field	Type	Reset	Description
4	FILTER_BUSY	R	0	Filter Busy Indicator 0 = Filter is waiting for new data 1 = Filter busy calculating
3	YN_LOW_CLAMP	R	0	PID Output Low Rail Indicator 0 = PID Output not equal to low rail 1 = PID Output equal to low rail
2	YN_HIGH_CLAMP	R	0	PID Output High Rail Indicator 0 = PID Output not equal to high rail 1 = PID Output equal to high rail
1	KI_YN_LOW_CLAMP	R	0	KI Feedback Low Rail Indicator 0 = KI Feedback not equal to low rail 1 = KI Feedback equal to low rail
0	KI_YN_HIGH_CLAMP	R	0	KI Feedback High Rail Indicator 0 = KI Feedback not equal to high rail 1 = KI Feedback equal to high rail

4.11.2 Filter Control Register (FILTERCTRL)

Address 00060004 – Filter 2 Control Register

Address 00090004 – Filter 1 Control Register

Address 000C0004 – Filter 0 Control Register

Figure 4-7. Filter Control Register (FILTERCTRL)

15	14	13	12	11	9	8	
KI_ADDER_MODE	PERIOD_MULT_SEL	OUTPUT_MULT_SEL		YN_SCALE		NL_MODE	
R/W-1	R/W-0	R/W-00		R/W-000		R/W-0	
7	6	5	4	3	2	1	
KD_STALL	KI_STALL	KP_OFF	KD_OFF	KI_OFF	FORCE_START	USE_CPU_SAMPLE	FILTER_EN
R/W-0	R/W-0	R/W-0	R/W-0	R/W-0	R/W-0	R/W-0	R/W-1

LEGEND: R/W = Read/Write; R = Read only; -n = value after reset

Table 4-2. Filter Control Register (FILTERCTRL) Register Field Descriptions

Bit	Field	Type	Reset	Description
15	KI_ADDER_MODE	R/W	1	Configures addition of X_n and X_{n-1} in Integral branch 0 = Only X_n used for addition ($X_n + 0$) 1 = $X_n + X_{n-1}$ used for addition (Default)
14	PERIOD_MULT_SEL	R/W	0	Selects output multiplicand used for multiplying with filter output to calculate DPWM Period value in Resonant Mode 0 = Switching period received from Loop Mux module (Default) 1 = KComp received from Loop Mux module
13-12	OUTPUT_MULT_SEL	R/W	00	Selects output multiplicand used for multiplying with filter output to calculate DPWM Duty value 0 = KComp received from Loop Mux module (Default) 1 = Switching period received from Loop Mux module 2 = Feed-Forward value received from Loop Mux module 3 = Resonant Duty value received from DPWM Module
11-9	YN_SCALE	R/W	000	Controls scaling of Y_n value to compensate for filter coefficient scaling -4 = Filter output (Y_n) left shifted by 4 -3 = Filter output (Y_n) left shifted by 3 -2 = Filter output (Y_n) left shifted by 2 -1 = Filter output (Y_n) left shifted by 1 0 = Filter output (Y_n) not scaled (Default) 1 = Filter output (Y_n) right shifted by 1 2 = Filter output (Y_n) right shifted by 2 3 = Filter output (Y_n) right shifted by 3
8	NL_MODE	R/W	0	Sets non-linear gain table configuration. Coefficient Bin mapping is controlled by Coefficient Configuration Register. Limit configuration is controlled by the Filter Nonlinear Limit Registers (See Section 4.5) 0 = Non-symmetric mode (Default) 1 = Symmetric mode

Table 4-2. Filter Control Register (FILTERCTRL) Register Field Descriptions (continued)

Bit	Field	Type	Reset	Description
7	KD_STALL	R/W	0	Freezes KD Branch, KD_YN remains at current value 0 = KD_YN recalculated on each filter update (Default) 1 = KD_YN stalled at present value
6	KI_STALL	R/W	0	Freezes KI Branch, KI_YN remains at current value 0 = KI_YN recalculated on each filter update (Default) 1 = KI_YN stalled at present value
5	KP_OFF	R/W	0	Turns off the KP branch 0 = KP branch calculating new outputs (Default) 1 = KP branch turned off
4	KD_OFF	R/W	0	Turns off the KD branch, KD_YN cleared to zero 0 = KD branch calculating new outputs (Default) 1 = KD branch turned off
3	KI_OFF	R/W	0	Turns off the KI branch, KI_YN cleared to zero 0 = KI branch calculating new outputs (Default) 1 = KI branch halted
2	FORCE_START	R/W	0	Initiates a filter calculation under firmware control 0 = No calculation started (Default) 1 = Calculation started
1	USE_CPU_SAMPLE	R/W	0	Forces filter to use error sample from CPU XN register (Section 4.4) 0 = Filter Mode, input data received from EADC (Default) 1 = CPU Mode, input data based on CPU XN register
0	FILTER_EN	R/W	1	Filter Enable 0 = Disables Filter operation 1 = Enables Filter operation (Default)

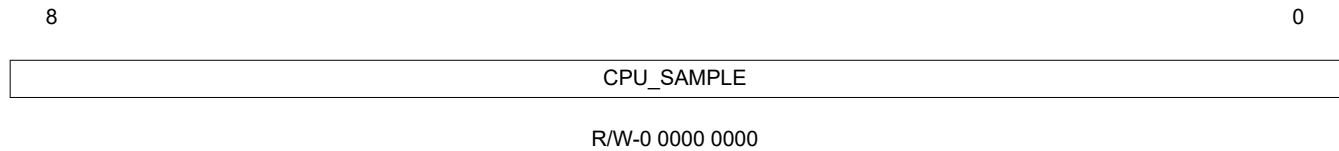
4.11.3 CPU XN Register (CPUXN)

Address 00060008 – Filter 2 CPU XN Register

Address 00090008 – Filter 1 CPU XN Register

Address 000C0008 – Filter 0 CPU XN Register

Figure 4-8. CPU XN Register (CPUXN)



LEGEND: R/W = Read/Write; R = Read only; -n = value after reset

Table 4-3. CPU XN Register (CPUXN) Register Field Descriptions

Bit	Field	Type	Reset	Description
8-0	CPU_SAMPLE	R/W	0 0000 0000	Forced Xn value, allows processor to use filter as ALU. Set Bit 2 of Filter Control Register to '1' to force CPU_SAMPLE as input to Filter.

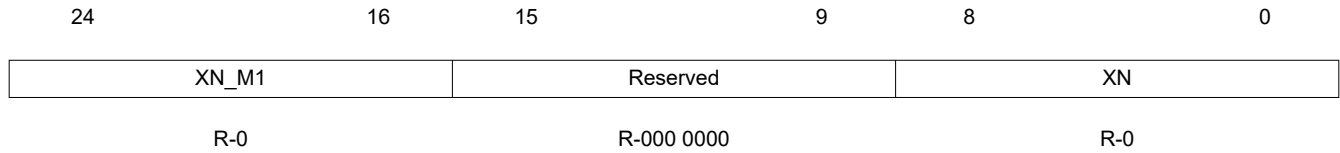
4.11.4 Filter XN Read Register (FILTERXNREAD)

Address 0006000C – Filter 2 XN Read Register

Address 0009000C – Filter 1 XN Read Register

Address 000C000C – Filter 0 XN Read Register

Figure 4-9. Filter XN Read Register (FILTERXNREAD)



LEGEND: R/W = Read/Write; R = Read only; -n = value after reset

Table 4-4. Filter XN Read Register (FILTERXNREAD) Register Field Descriptions

Bit	Field	Type	Reset	Description
24-16	XN_M1	R	0	9-bit signed XN_M1 register value, read-only
15-9	Reserved	R	000 0000	
8-0	XN	R	0	9-bit signed XN register value, read-only

4.11.5 Filter KI_YN Read Register (FILTERKIYNREAD)

Address 00060010 – Filter 2 KI_YN Read Register

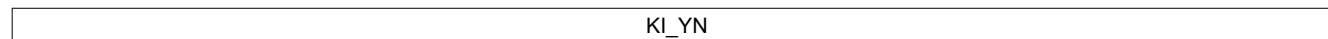
Address 00090010 – Filter 1 KI_YN Read Register

Address 000C0010 – Filter 0 KI_YN Read Register

Figure 4-10. Filter KI_YN Read Register (FILTERKIYNREAD)

23

0



R-0

LEGEND: R/W = Read/Write; R = Read only; -n = value after reset

Table 4-5. Filter KI_YN Read Register (FILTERKIYNREAD) Register Field Descriptions

Bit	Field	Type	Reset	Description
23-0	KI_YN	R	0	24-bit signed KI_YN register value, read-only

4.11.6 Filter KD_YN Read Register (FILTERKDYNREAD)

Address 00060014 – Filter 2 KD_YN Register

Address 00090014 – Filter 1 KD_YN Register

Address 000C0014 – Filter 0 KD_YN Register

Figure 4-11. Filter KD_YN Read Register (FILTERKDYNREAD)

23

0



LEGEND: R/W = Read/Write; R = Read only; -n = value after reset

Table 4-6. Filter KD_YN Read Register (FILTERKDYNREAD) Register Field Descriptions

Bit	Field	Type	Reset	Description
23-0	KD_YN	R	0	24-bit signed KD_YN register value, read-only

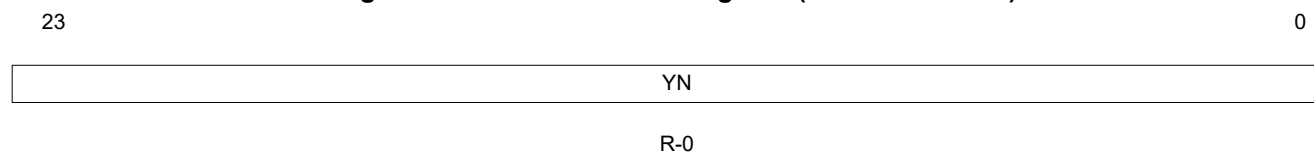
4.11.7 Filter YN Read Register (FILTERYNREAD)

Address 00060018 – Filter YN Read Register

Address 00090018 – Filter YN Read Register

Address 000C0018 – Filter YN Read Register

Figure 4-12. Filter YN Read Register (FILTERYNREAD)



LEGEND: R/W = Read/Write; R = Read only; -n = value after reset

Table 4-7. 9.7 Filter YN Read Register (FILTERYNREAD) Register Field Descriptions

Bit	Field	Type	Reset	Description
23-0	YN	R	0	24-bit signed YN register value, read-only

4.11.8 Coefficient Configuration Register (COEFCONFIG)

Address 0006001C – Filter 2 Coefficient Configuration Register

Address 0009001C – Filter 1 Coefficient Configuration Register

Address 000C001C – Filter 0 Coefficient Configuration Register

Figure 4-13. Coefficient Configuration Register (COEFCONFIG)

27	26	24
BIN6_ALPHA	BIN6_CONFIG	
R/W-0	R/W-000	
23	22	16
BIN5_ALPHA	BIN5_CONFIG	BIN4_CONFIG
R/W-0	R/W-000	R/W-000
15	14	8
BIN3_ALPHA	BIN3_CONFIG	BIN2_CONFIG
R/W-0	R/W-000	R/W-000
7	6	0
BIN1_ALPHA	BIN1_CONFIG	BIN0_CONFIG
R/W-0	R/W-000	R/W-000

LEGEND: R/W = Read/Write; R = Read only; -n = value after reset

Table 4-8. Coefficient Configuration Register (COEFCONFIG) Register Field Descriptions

Bit	Field	Type	Reset	Description
27	BIN6_ALPHA	R/W	0	Selects which alpha value to use in Bin 6 of Non-Linear Table. These bits are shadowed and updated to filter when filter is not processing an EADC sample 0 = Bank 0 KD Alpha (KD_ALPHA_0) selected (Default) 1 = Bank 1 KD Alpha (KD_ALPHA_1) selected
26-24	BIN6_CONFIG	R/W	000	Selects which coefficient set to place in Bin 6 of Non-Linear Table. These bits are shadowed and updated to filter when filter is not processing an EADC sample. 0 = Coefficient Set A Selected (Default) 1 = Coefficient Set B Selected 2 = Coefficient Set C Selected 3 = Coefficient Set D Selected 4 = Coefficient Set E Selected 5 = Coefficient Set F Selected 6 = Coefficient Set G Selected
23	BIN5_ALPHA	R/W	0	Selects which alpha value to use in Bin 5 of Non-Linear Table. These bits are shadowed and updated to filter when filter is not processing an EADC sample 0 = Bank 0 KD Alpha (KD_ALPHA_0) selected (Default) 1 = Bank 1 KD Alpha (KD_ALPHA_1) selected

Table 4-8. Coefficient Configuration Register (COEFCONFIG) Register Field Descriptions (continued)

Bit	Field	Type	Reset	Description
22-20	BIN5_CONFIG	R/W	000	Selects which coefficient set to place in Bin 5 of Non-Linear Table. These bits are shadowed and updated to filter when filter is not processing an EADC sample. 0 = Coefficient Set A Selected (Default) 1 = Coefficient Set B Selected 2 = Coefficient Set C Selected 3 = Coefficient Set D Selected 4 = Coefficient Set E Selected 5 = Coefficient Set F Selected 6 = Coefficient Set G Selected
19	BIN4_ALPHA	R/W	0	Selects which alpha value to use in Bin 4 of Non-Linear Table. These bits are shadowed and updated to filter when filter is not processing an EADC sample 0 = Bank 0 KD Alpha (KD_ALPHA_0) selected (Default) 1 = Bank 1 KD Alpha (KD_ALPHA_1) selected
18-16	BIN4_CONFIG	R/W	000	Selects which coefficient set to place in Bin 4 of Non-Linear Table. These bits are shadowed and updated to filter when filter is not processing an EADC sample. 0 = Coefficient Set A Selected (Default) 1 = Coefficient Set B Selected 2 = Coefficient Set C Selected 3 = Coefficient Set D Selected 4 = Coefficient Set E Selected 5 = Coefficient Set F Selected 6 = Coefficient Set G Selected
15	BIN3_ALPHA	R/W	0	Selects which alpha value to use in Bin 3 of Non-Linear Table. These bits are shadowed and updated to filter when filter is not processing an EADC sample 0 = Bank 0 KD Alpha (KD_ALPHA_0) selected (Default) 1 = Bank 1 KD Alpha (KD_ALPHA_1) selected
14-12	BIN3_CONFIG	R/W	000	Selects which coefficient set to place in Bin 3 of Non-Linear Table. These bits are shadowed and updated to filter when filter is not processing an EADC sample. 0 = Coefficient Set A Selected (Default) 1 = Coefficient Set B Selected 2 = Coefficient Set C Selected 3 = Coefficient Set D Selected 4 = Coefficient Set E Selected 5 = Coefficient Set F Selected 6 = Coefficient Set G Selected
11	BIN2_ALPHA	R/W	0	Selects which alpha value to use in Bin 2 of Non-Linear Table. These bits are shadowed and updated to filter when filter is not processing an EADC sample 0 = Bank 0 KD Alpha (KD_ALPHA_0) selected (Default) 1 = Bank 1 KD Alpha (KD_ALPHA_1) selected
10-8	BIN2_CONFIG	R/W	000	Selects which coefficient set to place in Bin 2 of Non-Linear Table. These bits are shadowed and updated to filter when filter is not processing an EADC sample. 0 = Coefficient Set A Selected (Default) 1 = Coefficient Set B Selected 2 = Coefficient Set C Selected 3 = Coefficient Set D Selected 4 = Coefficient Set E Selected 5 = Coefficient Set F Selected 6 = Coefficient Set G Selected

Table 4-8. Coefficient Configuration Register (COEFCONFIG) Register Field Descriptions (continued)

Bit	Field	Type	Reset	Description
7	BIN1_ALPHA	R/W	0	Selects which alpha value to use in Bin 1 of Non-Linear Table. These bits are shadowed and updated to filter when filter is not processing an EADC sample 0 = Bank 0 KD Alpha (KD_ALPHA_0) selected (Default) 1 = Bank 1 KD Alpha (KD_ALPHA_1) selected
6-4	BIN1_CONFIG	R/W	000	Selects which coefficient set to place in Bin 1 of Non-Linear Table. These bits are shadowed and updated to filter when filter is not processing an EADC sample. 0 = Coefficient Set A Selected (Default) 1 = Coefficient Set B Selected 2 = Coefficient Set C Selected 3 = Coefficient Set D Selected 4 = Coefficient Set E Selected 5 = Coefficient Set F Selected 6 = Coefficient Set G Selected
3	BIN0_ALPHA	R/W	0	Selects which alpha value to use in Bin 0 of Non-Linear Table. These bits are shadowed and updated to filter when filter is not processing an EADC sample 0 = Bank 0 KD Alpha (KD_ALPHA_0) selected (Default) 1 = Bank 1 KD Alpha (KD_ALPHA_1) selected
2-0	BIN0_CONFIG	R/W	000	Selects which coefficient set to place in Bin 0 of Non-Linear Table. These bits are shadowed and updated to filter when filter is not processing an EADC sample. 0 = Coefficient Set A Selected (Default) 1 = Coefficient Set B Selected 2 = Coefficient Set C Selected 3 = Coefficient Set D Selected 4 = Coefficient Set E Selected 5 = Coefficient Set F Selected 6 = Coefficient Set G Selected

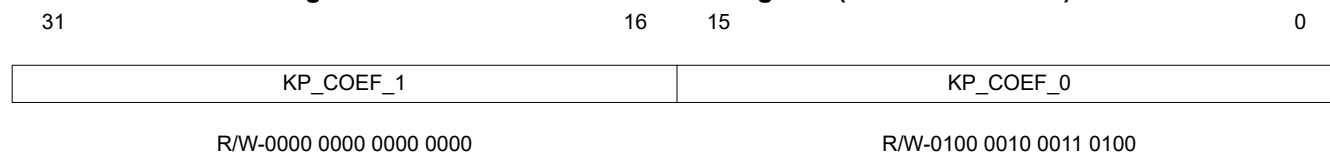
4.11.9 Filter KP Coefficient 0 Register (FILTERKPCOEF0)

Address 00060020 – Filter 2 KP Coefficient 0 Register

Address 00090020 – Filter 1 KP Coefficient 0 Register

Address 000C0020 – Filter 0 KP Coefficient 0 Register

Figure 4-14. Filter KP Coefficient 0 Register (FILTERKPCOEF0)



LEGEND: R/W = Read/Write; R = Read only; -n = value after reset

Table 4-9. Filter KP Coefficient 0 Register (FILTERKPCOEF0) Register Field Descriptions

Bit	Field	Type	Reset	Description
31-16	KP_COEF_1	R/W	0000 0000 0000 0000	KP Coefficient 1, 16-bit signed coefficient, configurable to any bin using the Coefficient Control Register
15-0	KP_COEF_0	R/W	0100 0010 0011 0100	KP Coefficient 0, 16-bit signed coefficient, configurable to any bin using the Coefficient Control Register

4.11.10 Filter KP Coefficient 1 Register (FILTERKPCOE1)

Address 00060024 – Filter 2 KP Coefficient 1 Register

Address 00090024 – Filter 1 KP Coefficient 1 Register

Address 000C0024 – Filter 0 KP Coefficient 1 Register

Figure 4-15. Filter KP Coefficient 1 Register (FILTERKPCOE1)

15

0



R/W-0000 0000 0000 0000

LEGEND: R/W = Read/Write; R = Read only; -n = value after reset

Table 4-10. Filter KP Coefficient 1 Register (FILTERKPCOE1) Register Field Descriptions

Bit	Field	Type	Reset	Description
15-0	KP_COEF_2	R/W	0000 0000 0000 0000	KP Coefficient 2, 16-bit signed coefficient, configurable to any bin using the Coefficient Control Register

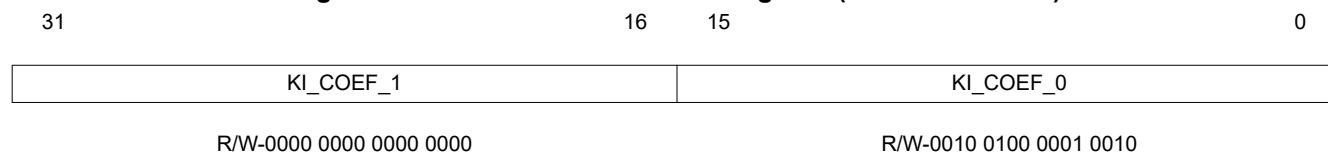
4.11.11 Filter KI Coefficient 0 Register (FILTERKIC0EF0)

Address 00060028 – Filter 2 KI Coefficient 0 Register

Address 00090028 – Filter 1 KI Coefficient 0 Register

Address 000C0028 – Filter 0 KI Coefficient 0 Register

Figure 4-16. Filter KI Coefficient 0 Register (FILTERKIC0EF0)



LEGEND: R/W = Read/Write; R = Read only; -n = value after reset

Table 4-11. Filter KI Coefficient 0 Register (FILTERKIC0EF0) Register Field Descriptions

Bit	Field	Type	Reset	Description
31-16	KI_COEF_1	R/W	0000 0000 0000 0000	KI Coefficient 1, 16-bit signed coefficient, configurable to any bin using the Coefficient Control Register
15-0	KI_COEF_0	R/W	0010 0100 0001 0010	KI Coefficient 0, 16-bit signed coefficient, configurable to any bin using the Coefficient Control Register

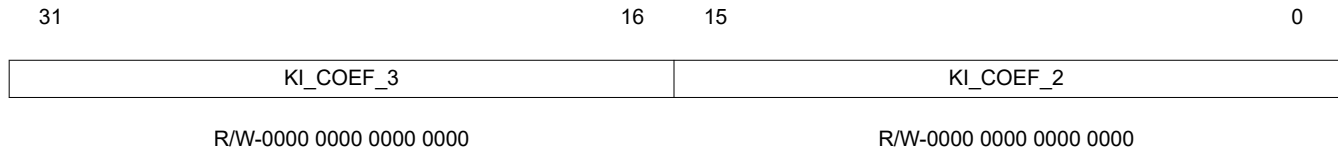
4.11.12 Filter KI Coefficient 1 Register (FILTERKICOEF1)

Address 0006002C – Filter 2 KI Coefficient 1 Register

Address 0009002C – Filter 1 KI Coefficient 1 Register

Address 000C002C – Filter 0 KI Coefficient 1 Register

Figure 4-17. Filter KI Coefficient 1 Register (FILTERKICOEF1)



LEGEND: R/W = Read/Write; R = Read only; -n = value after reset

Table 4-12. Filter KI Coefficient 1 Register (FILTERKICOEF1) Register Field Descriptions

Bit	Field	Type	Reset	Description
31-16	KI_COEF_3	R/W	0000 0000 0000 0000	KI Coefficient 3, 16-bit signed coefficient, configurable to any bin using the Coefficient Control Register
15-0	KI_COEF_2	R/W	0000 0000 0000 0000	KI Coefficient 2, 16-bit signed coefficient, configurable to any bin using the Coefficient Control Register

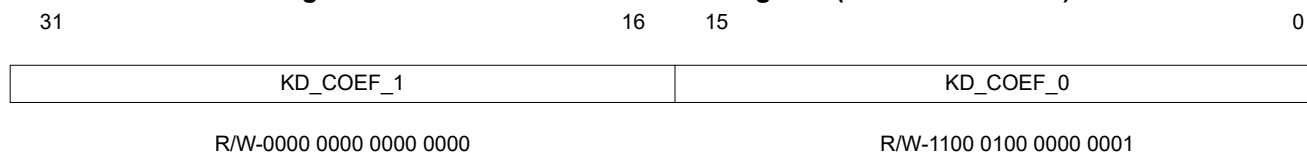
4.11.13 Filter KD Coefficient 0 Register (FILTERKDCOEF0)

Address 00060030 – Filter 2 KD Coefficient 0 Register

Address 00090030 – Filter 1 KD Coefficient 0 Register

Address 000C0030 – Filter 0 KD Coefficient 0 Register

Figure 4-18. Filter KD Coefficient 0 Register (FILTERKDCOEF0)



LEGEND: R/W = Read/Write; R = Read only; -n = value after reset

Table 4-13. Filter KD Coefficient 0 Register (FILTERKDCOEF0) Register Field Descriptions

Bit	Field	Type	Reset	Description
31-16	KD_COEF_1	R/W	0000 0000 0000 0000	KD Coefficient 1, 16-bit signed coefficient, configurable to any bin using the Coefficient Control Register
15-0	KD_COEF_0	R/W	1100 0100 0000 0001	KD Coefficient 0, 16-bit signed coefficient, configurable to any bin using the Coefficient Control Register

4.11.14 Filter KD Coefficient 1 Register (FILTERKDCOE1)

Address 00060034 – Filter 2 KD Coefficient 1 Register

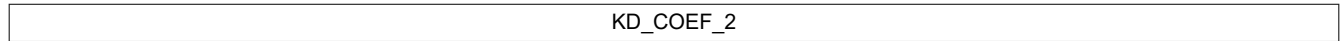
Address 00090034 – Filter 1 KD Coefficient 1 Register

Address 000C0034 – Filter 0 KD Coefficient 1 Register

Figure 4-19. Filter KD Coefficient 1 Register (FILTERKDCOE1)

15

0



R/W-0000 0000 0000 0000

LEGEND: R/W = Read/Write; R = Read only; -n = value after reset

Table 4-14. Filter KD Coefficient 1 Register (FILTERKDCOE1) Register Field Descriptions

Bit	Field	Type	Reset	Description
15-0	KD_COEF_2	R/W	0000 0000 0000 0000	KD Coefficient 2, 16-bit signed coefficient, configurable to any bin using the Coefficient Control Register

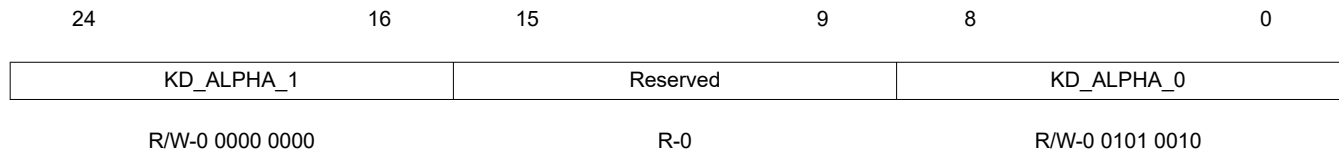
4.11.15 Filter KD Alpha Register (FILTERKDALPHA)

Address 00060038 – Filter 2 KD Alpha Register

Address 00090038 – Filter 1 KD Alpha Register

Address 000C0038 – Filter 0 KD Alpha Register

Figure 4-20. Filter KD Alpha Register (FILTERKDALPHA)



LEGEND: R/W = Read/Write; R = Read only; -n = value after reset

Table 4-15. Filter KD Alpha Register (FILTERKDALPHA) Register Field Descriptions

Bit	Field	Type	Reset	Description
24-16	KD_ALPHA_1	R/W	0 0000 0000	Bank 1 KD Alpha, 9-bit signed value, configurable to any bin using the Coefficient Control Register
15-9	Reserved	R	0	
8-0	KD_ALPHA_0	R/W	0 0101 0010	Bank 0 KD Alpha, 9-bit signed value, configurable to any bin using the Coefficient Control Register

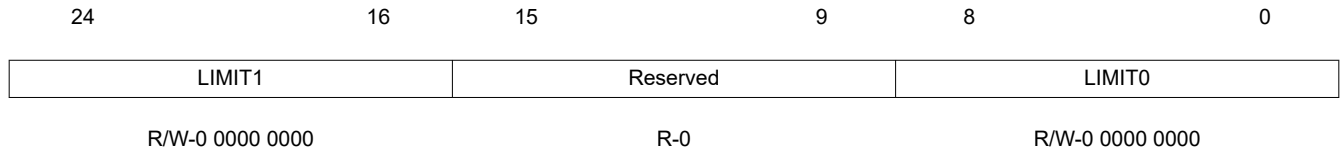
4.11.16 Filter Nonlinear Limit Register 0 (FILTERNL0)

Address 0006003C – Filter 2 Nonlinear Limit Register 0

Address 0009003C – Filter 1 Nonlinear Limit Register 0

Address 000C003C – Filter 0 Nonlinear Limit Register 0

Figure 4-21. Filter Nonlinear Limit Register 0 (FILTERNL0)



LEGEND: R/W = Read/Write; R = Read only; -n = value after reset

Table 4-16. Filter Nonlinear Limit Register 0 (FILTERNL0) Register Field Descriptions

Bit	Field	Type	Reset	Description
24-16	LIMIT1	R/W	0 0000 0000	Configures LIMIT1 in Nonlinear Coefficient tables
15-9	Reserved	R	0	
8-0	LIMIT0	R/W	0 1111 1111	Configures LIMIT0 in Nonlinear Coefficient tables

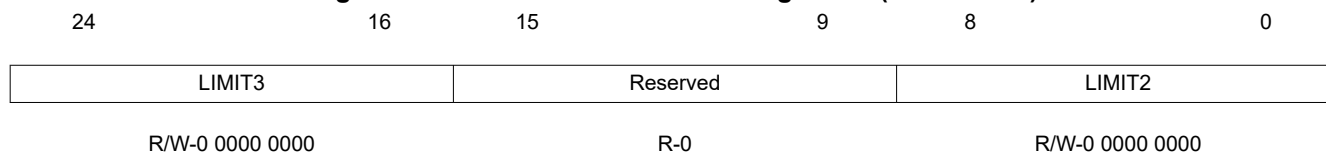
4.11.17 Filter Nonlinear Limit Register 1 (FILTERNL1)

Address 00060040 – Filter 2 Nonlinear Limit Register 1

Address 00090040 – Filter 1 Nonlinear Limit Register 1

Address 000C0040 – Filter 0 Nonlinear Limit Register 1

Figure 4-22. Filter Nonlinear Limit Register 1 (FILTERNL1)



LEGEND: R/W = Read/Write; R = Read only; -n = value after reset

Table 4-17. Filter Nonlinear Limit Register 1 (FILTERNL1) Register Field Descriptions

Bit	Field	Type	Reset	Description
24-16	LIMIT3	R/W	0 0000 0000	Configures LIMIT3 in Nonlinear Coefficient tables
15-9	Reserved	R	0	
8-0	LIMIT2	R/W	0 0000 0000	Configures LIMIT2 in Nonlinear Coefficient tables

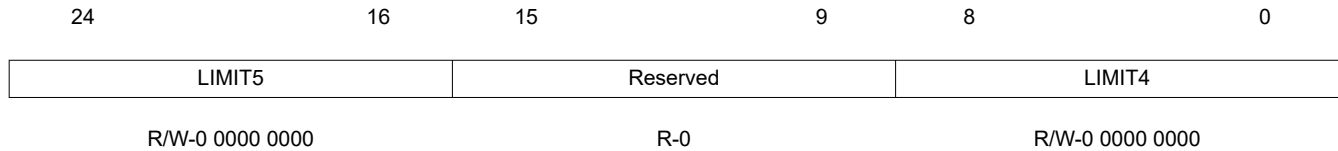
4.11.18 Filter Nonlinear Limit Register 2 (FILTERNL2)

Address 00060044 – Filter 2 Nonlinear Limit Register 2

Address 00090044 – Filter 1 Nonlinear Limit Register 2

Address 000C0044 – Filter 0 Nonlinear Limit Register 2

Figure 4-23. Filter Nonlinear Limit Register 2 (FILTERNL2)



LEGEND: R/W = Read/Write; R = Read only; -n = value after reset

Table 4-18. Filter Nonlinear Limit Register 2 (FILTERNL2) Register Field Descriptions

Bit	Field	Type	Reset	Description
24-16	LIMIT5	R/W	0 0000 0000	Configures LIMIT5 in Nonlinear Coefficient tables
15-9	Reserved	R	0	
8-0	LIMIT4	R/W	0 0000 0000	Configures LIMIT4 in Nonlinear Coefficient tables

4.11.19 Filter KI Feedback Clamp High Register (FILTERKICLPHI)

Address 00060048 – Filter 2 KI Feedback Clamp High Register

Address 00090048 – Filter 1 KI Feedback Clamp High Register

Address 000C0048 – Filter 0 KI Feedback Clamp High Register

Figure 4-24. Filter KI Feedback Clamp High Register (FILTERKICLPHI)

23

0

KI_CLAMP_HIGH

R/W-0111 1111 1111 1111 1111 1111

LEGEND: R/W = Read/Write; R = Read only; -n = value after reset

Table 4-19. Filter KI Feedback Clamp High Register (FILTERKICLPHI) Register Field Descriptions

Bit	Field	Type	Reset	Description
23-0	KI_CLAMP_HIGH	R/W	0111 1111 1111 1111 1111 1111	Sets the upper limit of KI_YN value. If calculated KI_YN exceeds this threshold, the KI_YN register will be set to KI_CLAMP_HIGH

4.11.20 Filter KI Feedback Clamp Low Register (FILTERKICLPLO)

Address 0006004C – Filter 2 KI Feedback Clamp Low Register

Address 0009004C – Filter 1 KI Feedback Clamp Low Register

Address 000C004C – Filter 0 KI Feedback Clamp Low Register

Figure 4-25. Filter KI Feedback Clamp Low Register (FILTERKICLPLO)

23

0

KI_CLAMP_LOW

R/W-0000 0000 0000 0000 0000 0000

LEGEND: R/W = Read/Write; R = Read only; -n = value after reset

Table 4-20. Filter KI Feedback Clamp Low Register (FILTERKICLPLO) Register Field Descriptions

Bit	Field	Type	Reset	Description
23-0	KI_CLAMP_LOW	R/W	0000 0000 0000 0000 0000 0000	Sets the lower limit of KI_YN value. If calculated KI_YN falls below this threshold, the KI_YN register will be set to KI_CLAMP_LOW

4.11.21 Filter YN Clamp High Register (FILTERYNCLPHI)

Address 00060050 – Filter 2 YN Clamp High Register

Address 00090050 – Filter 1 YN Clamp High Register

Address 000C0050 – Filter 0 YN Clamp High Register

Figure 4-26. Filter YN Clamp High Register (FILTERYNCLPHI)

23

0

YN_CLAMP_HIGH

R/W-0111 1111 1111 1111 1111

LEGEND: R/W = Read/Write; R = Read only; -n = value after reset

Table 4-21. Filter YN Clamp High Register (FILTERYNCLPHI) Register Field Descriptions

Bit	Field	Type	Reset	Description
23-0	YN_CLAMP_HIGH	R/W	0111 1111 1111 1111 1111 1111	Sets the upper limit of YN value. If calculated YN exceeds this threshold, the YN register will be set to YN_CLAMP_HIGH

4.11.22 Filter YN Clamp Low Register (FILTERYNCLPLO)

Address 00060054 – Filter 2 YN Clamp Low Register

Address 00090054 – Filter 1 YN Clamp Low Register

Address 000C0054 – Filter 0 YN Clamp Low Register

Figure 4-27. Filter YN Clamp Low Register (FILTERYNCLPLO)

23

0

YN_CLAMP_LOW

R/W-0000 0000 0000 0000 0000 0000

LEGEND: R/W = Read/Write; R = Read only; -n = value after reset

Table 4-22. Filter YN Clamp Low Register (FILTERYNCLPLO) Register Field Descriptions

Bit	Field	Type	Reset	Description
23-0	YN_CLAMP_LOW	R/W	0000 0000 0000 0000 0000 0000	Sets the lower limit of YN value. If calculated YN falls below this threshold, the YN register will be set to YN_CLAMP_LOW

4.11.23 Filter Output Clamp High Register (FILTEROCLPHI)

Address 00060058 – Filter 2 Output Clamp High Register

Address 00090058 – Filter 1 Output Clamp High Register

Address 000C0058 – Filter 0 Output Clamp High Register

Figure 4-28. Filter Output Clamp High Register (FILTEROCLPHI)

23

0

OUTPUT_CLAMP_HIGH

R/W-11 1111 1111 1111 1111

LEGEND: R/W = Read/Write; R = Read only; -n = value after reset

Table 4-23. Filter Output Clamp High Register (FILTEROCLPHI) Register Field Descriptions

Bit	Field	Type	Reset	Description
23-0	OUTPUT_CLAMP_HIGH	R/W	11 1111 1111 1111 1111	Sets the upper limit of filter output value. If calculated filter output exceeds this threshold, the filter output will be set to OUTPUT_CLAMP_HIGH

4.11.24 Filter Output Clamp Low Register (FILTEROCLPLO)

Address 0006005C – Filter 2 Output Clamp Low Register

Address 0009005C – Filter 1 Output Clamp Low Register

Address 000C005C – Filter 0 Output Clamp Low Register

Figure 4-29. Filter Output Clamp Low Register (FILTEROCLPLO)

17

0

OUTPUT_CLAMP_LOW

R/W-00 0000 0000 0000 0000

LEGEND: R/W = Read/Write; R = Read only; -n = value after reset

Table 4-24. Filter Output Clamp Low Register (FILTEROCLPLO) Register Field Descriptions

Bit	Field	Type	Reset	Description
17-0	OUTPUT_CLAMP_LOW	R/W	00 0000 0000 0000 0000	Sets the lower limit of filter output value. If calculated filter output falls below this threshold, the filter output will be set to OUTPUT_CLAMP_LOW

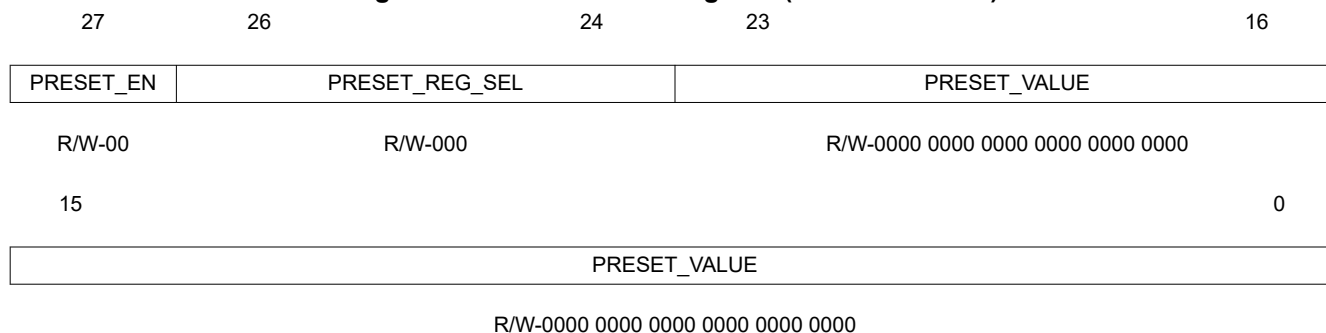
4.11.25 Filter Preset Register (FILTERPRESET)

Address 00060060 – Filter 2 Filter Preset Register

Address 00090060 – Filter 1 Filter Preset Register

Address 000C0060 – Filter 0 Filter Preset Register

Figure 4-30. Filter Preset Register (FILTERPRESET)



LEGEND: R/W = Read/Write; R = Read only; -n = value after reset

Table 4-25. Filter Preset Register (FILTERPRESET) Register Field Descriptions

Bit	Field	Type	Reset	Description
27	PRESET_EN	R/W	00	Set to '1' to initiate write of internal filter register (Self cleared by hardware after successful programming)
26-24	PRESET_REG_SEL	R/W	000	Selects internal filter register to preset by processor 0 = XN_M1 Register (only bits 10:0 of PRESET_VALUE will be programmed into register) 1 = KI_YN Register 2 = KD_YN Register 3 = YN Register 4 = 18-bit Filter Data Register (after multiplication)
23-0	PRESET_VALUE	R/W	0000 0000 0000 0000 0000 0000	Value to preset into selected register



The Loop Mux controls the connections between the different parts of the control loop – the Front End, the Filter, and the DPWM:

- Front End Control Mux 0, 1, 2 – controls how DPWMs trigger the front end ramp module and DAC dither.
- Sample Trigger Control Register – controls how DPWMs trigger the EADC
- External DAC control Register – controls what DAC setting is used for each Front End
- Filter Mux – Selects Sources of data for the filter
- DPWM Mux Register – Selects inputs for the DPWM

The Loop Mux also has several registers which control multiple modules in one register:

- Global Enable Register (GLBEN) – enables Front Ends and DPWMs simultaneously
- PWM Global Period Register (PWMGLBPRD) – permits changing multiple periods simultaneously
- Sync Control Register (SYNCCTRL) – Configures the SYNC pin

In addition, it controls several modules which tie multiple parts together and have logic of their own:

- Constant Power/Constant Current (CPCC) Module
- Cycle Adjustment Module (used for balancing current and flux)
- Light Load Module
- Analog Peak Current Mode (PCM) Module

[#unique_36/unique_36_Connect_42_SNIU0289873](#) [#unique_36/unique_36_Connect_42_SNIU0289873](#) shows the connections of the Loop Mux. “I” indicates an input to the Loop Mux register or module, “O” indicates an output.

Registers	Front End			Filter	DPWM	Loop Mux	
	EADC	Ramp	DAC			CPCC	KCOMP
FECTRLxMUX	O	O		I	I		
SAMPTRIGCTRL	O				I		
EXTDACCTRL			IO	I		I	
FILTERMUX	I			IO	I		I
FILTERKCOMPx				O			
DPWMMUX		I		I	IO		
GLBEN	O	O	O		O		
PWMGLBPRD					O		
SYNCCTRL					IO		
Modules							
CPCC	I		I	IO	O		
Cycle Adjustment	I				IO		
Light Load	I			I	O		
Analog PCM	I	O	O	I	O		

This chapter covers the Loop Mux registers. The modules have chapters of their own.

5.1 Front End Control Muxes (FECTRL0MUX, FECTRL1MUX, FECTRL2MUX)	189
5.2 Sample Trigger Control (SAMPTRIGCTRL)	189
5.3 External DAC Control (EXTDACCTRL)	189
5.4 Filter Mux Register (FILTERMUX)	190
5.5 Filter KComp Registers (FILTERKCOMPx)	190
5.6 DPWM Mux Register (DPWMMUX)	190
5.7 Global Enable Register (GLBEN)	190
5.8 PWM Global Period Register (PWMGLBPRD)	191
5.9 Sync Control (SYNCCTRL)	191
5.10 Light Load (Burst) Mode	191
5.11 Constant Current / Constant Power	191
5.12 Analog Peak Current Mode	192
5.13 Automatic Cycle Adjustment	192
5.14 Loop Mux Registers Reference	193

5.1 Front End Control Muxes (FECTRL0MUX, FECTRL1MUX, FECTRL2MUX)

These registers select what DPWM signals are used to trigger DAC control functions in the Front end, Ramp and Dither. The selected signals are also used when the Ramp Module is used for Sync FET ramps. Two signals can be used:

1. Rising edges of DPWMA and DPWMB from all DPWM modules
2. Frame sync from all DPWM Modules

Frame sync occurs at the beginning of the DPWM period. It always occurs whenever the DPWM is running. DPWMA and DPWMB are dependent on the actual rising edges of DPWMA and DPWMB. If no DPWM pulse is occurring, then the trigger will not take place. DPWMA_F and DPWMB_F are used. These are the signals coming out of the Fault Block, as shown in [Figure 2-1](#). Anything in the Timing or Fault modules which prevents DPWMA and DPWMB from going high will prevent triggering of the Front End by these signals. Anything further down in the signal chain, such as the Intra Mux or the Edge Generator will have no effect at all.

This trigger should not be confused with the sample trigger, which triggers the EADC conversion. Ideally the DAC control function should be triggered just after the end of the EADC conversion to allow maximum DAC settling time. For DAC settling time, please refer to the UCD3138 device datasheet.

The FECTRLxMUX registers also permit using the Nonlinear Select registers in the Filter to set the step points for Automatic Gain Shifting in the Front End.

For exact FECTRLxMUX bit assignments, see: [Section 5.14.1](#), Front End Control 0 Mux Register (FECTRL0MUX).

5.2 Sample Trigger Control (SAMPTRIGCTRL)

The SAMPTRIGCTRL register has a bit for each combination of Front End and DPWM module. As a default, none of these bits are set, so no sample triggers are enabled. Any DPWM can trigger any Front End. Multiple triggers can be used for any Front End, and multiple Front Ends can use the same trigger. The DPWMs can generate two triggers (A and B). They can generate multiple triggers – oversampling. All of this is automatically transmitted to the Front End if the bit in SAMPTRIGCTRL is set. See [Section 5.14.4](#), Sample Trigger Control Register (SAMPTRIGCTRL), for the register details.

5.3 External DAC Control (EXTDACCTRL)

The EXTDACCTRL register permits control of the EADCDAC in each Front End from different sources. If the EXT_DACx_EN bit is 0, the Front End controls its own DAC. If EXT_DACx_EN is 1, other sources will have control:

1. Other EADCDACs – this can be used to slave two Front Ends together.
2. Output of Constant Power Module – this is used for constant power control
3. Filter x Output – this is used to put loops in series, for example, a voltage loop can control a current loop by using the voltage loop output to control the EADCDAC for the current loop.

See [Section 5.14.5](#), External DAC Control Register (EXTDACCTRL), for bitfield details.

5.4 Filter Mux Register (FILTERMUX)

FILTERMUX controls some inputs to the filters. It selects which Front End provides the error signal to each filter. FILTERMUX also selects values for multiplication in the filter output stage (see [Section 4.1.6](#)). For this function, FILTERMUX works together with the PERIOD_MULT_SEL and OUTPUT_MUL_SEL fields in the FILTERCTRL register.

For each Filter, FILTERMUX selects one of each from:

- FILTERx_KCOMPSEL selects from KCOMP0, KCOMP1, or KCOMP2
- FILTERx_FFWD_SEL selects the Feedforward value from one of the other 2 filters
- FILTERx_PER_SEL selects the Period from DPWM0, 1, 2, or 3.
- FILTERx_PER_SEL also selects the source for Resonant Duty.

Then OUTPUT_MULT_SEL bits select from these preselected values. OUTPUT_MULT_SEL can select any of the 4 inputs. PER_MULT_SEL can only select from Period or KComp.

5.5 Filter KComp Registers (FILTERKCOMPx)

There are two registers, FILTERKCOMP A and FILTERKCOMP B. FILTER KCOMP A holds both KCOMP0 and KCOMP1. FILTERKCOMP B holds only KCOMP3. All KComp values are 14 bit unsigned numbers.

5.6 DPWM Mux Register (DPWMMUX)

DPWMMUX selects inputs to the DPWM modules. It selects

- Ramp module which controls Synchronous FET ramp.
- Master DPWM which provides sync pulse if DPWM module is a slave
- Source which controls duty cycle/resonant period for DPWM. This source can be a Filter, the Constant Power Module, or the Light Load Control Module.

5.7 Global Enable Register (GLBEN)

GLBEN has bits which enable each DPWM and each Front End. These bits are anded with the individual enable bits in each DPWM and Front End. Both global and local bits must be set for the modules to start. For simultaneous, synchronous start up, first set all the local enable bits, and then write a single time to the GLBEN register. This simultaneous write can be done in at least two ways:

1. Define a temporary variable which has the same structure as GLBEN

```
union GLBEN_REG glben_store; //collect global enable bits for simultaneous use
glben_store.all = 0;
glben_store.bit.DPWM0_EN = 1;
glben_store.bit.DPWM1_EN = 1;
glben_store.bit.FE_CTRL0_EN = 1;
LoopMuxRegs.GLBEN = glben_store;
```

2. Simply write to GLBEN:

```
LoopMuxRegs.GLBEN = 0x13;
```

5.8 PWM Global Period Register (PWMGLBPRD)

If the Global Period Enable (GLOBAL_PERIOD_EN) bit is set in DPWMCTRL1 of a DPWM module, it will use the value in PWMGLBPRD for its period. This can be used to change the periods of multiple DPWMs with one C statement. This is useful for frequency dithering. Note that the period change takes effect at the end of the previous period. If DPWMs are out of phase, the frequency change will take place at a different time for each DPWM.

Also note that if the Filter is using the Period from the DPWM for calculations, it will still use the DPWM Period Register even if the Global Period is enabled. So to use the Global Period, it is necessary to use the KCOMP register as a multiplier and to change both the Global Period Register and the KCOMP register at the same time. In fact, a careful sequence should be followed:

If the period is increasing – first change the Global Period Register, then wait 1 period, then change the KCOMP. This sequence guards against dead time violations.

For the same reason, when decreasing the period, change the KCOMP first.

For any frequency change, the order of changes should be carefully designed based on the actual topology and IC configuration.

5.9 Sync Control (SYNCCTRL)

SYNCCTRL controls the Sync pin. The Sync pin can be an input or an output. It can output the Sync pulse from any DPWM, or it can be used as a general purpose output. It can also output some internal processor clocks for debugging purposes.

As an input, it can be used as a sync input to the DPWMs, and as a general purpose input. To use it as a sync input to the DPWMs, set the EXT_SYNC_EN bit in DPWMCTRL1.

5.10 Light Load (Burst) Mode

There are several registers in the Loop Mux related to Burst mode/Light Load Mode. This mode works based on the output of a selected filter. In its simplest form, it disables DPWM output pulses when the filter output goes below a threshold – LoopMuxRegs.LLDISTHRESH. It reenables them when the filter goes above another threshold – LoopMuxRegs.LLENTHRESH.bit.TURN_ON_THRESH. There are bits in the LLCTRL register to enable Light Load Mode, and to select which filter output is used to drive the Light Load control.

To enable the single Light Load Module to control a DPWM module, the BURST_EN bit in DPWMCTRL1 must be set.

In normal mode, if PWM pulses get very short, they will stop altogether. The output voltage will drop by a small amount, and the filter output will rise again, and it will start up again. There are added features which permit output of fixed size pulses in burst mode. This function is very application specific. Consult the reference firmware code provided with the UCD3138 EVM for the desired topology for further information.

It may be necessary to adjust the thresholds as a function of V_{in} , for example.

5.11 Constant Current / Constant Power

Constant Current/Constant Power is very dependent on topology for configuration and utilization. Consult the appropriate EVM firmware for the appropriate Constant Current/Constant Power setup.

5.12 Analog Peak Current Mode

In the Loop Mux, there are two simple registers – PCMCTRL and APCMCTRL.

PCMCTRL has only one bitfield:

- PCM_FILTER_SEL. This field selects a filter output. The filter output is used for the start of the compensating ramp.

ADPCMCTRL has 3 bitfields:

- PCM_FE_SEL – selects which Front End is used to compare the compensation ramp to the power supply current
- PCM_LATCH_EN – enables the latching of the peak current detection to the end of the PCM frame
- PCM_EN – enables peak current mode

Refer to the reference firmware code provided with UCD3138PSFBEVM-027.

5.13 Automatic Cycle Adjustment

The Loop Mux contains registers which control and monitor automatic cycle adjustment. It can be used to balance current between two legs of a parallel topology, such as a multiphase PFC. It can also be used for flux balancing in bridge topologies. Figure 5-1 illustrates an example of it being used in a bridge topology. The cycle adjustment is shown on the bottom left hand side, connecting the output of EADC2 to D_{adj} . Current is being measured on each half cycle, so the two samples come from the same EADC. The output is being used to adjust DPWM3 Duty to maintain flux balance.

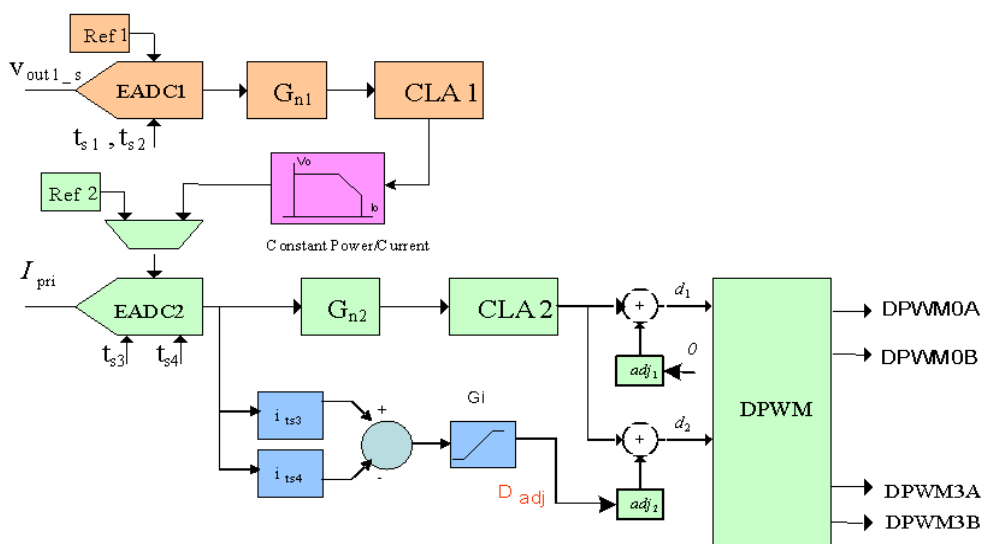


Figure 5-1. UCD3138 Flux Balancing Approach

5.13.1 Calculation

The output of this logic is a cycle adjustment number provided to the DPWM based on the difference between two samples from one or two front end EADCs. The equation is:

$$D_{adj} = [(E_1 - E_2) 2^{CYCADJGAIN}] \quad (2)$$

where

- D_{adj} = Duty Cycle Adjust
- $E_1 E_2$ = EADC error values (i_{ts2} and i_{ts4}) shown in the figure CYC_ADJ_GAIN = bitfield value in $CYCADJCTRL$ register

5.13.2 Configuration

Most of the control is in the CYCADJCTRL register.

The measurement starts after a DPWMxA rising edge selected by CYC_ADJ_SYNC. After the rising edge, the logic waits for a sample from the Front End selected by FIRST_SAMPLE_SEL.

After the first sample, the logic waits for a sample from the Front End selected by SECOND_SAMPLE_SEL. After that, it calculates D^{adj} and presents it to the DPWM modules.

All the bit-fields mentioned above are in CYCADJCTRL. There is also a CYC_ADJ_EN bit to enable automatic cycle adjustment.

To enable the DPWM to accept the adjustment, it is necessary to set the CLA_DUTY_ADJ_EN bit in DPWMCTRL1.

It is also necessary to provide sample triggers to the EADC, of course.

To prevent excessive adjustment in the event of a measurement failure, the Cycle Adjustment Limit Register (CYCADJLIM) provides upper and lower limits for the

5.13.3 Scaling

The EADC error signal is scaled at a nominal 1 mV. The output of the Automatic Cycle Adjust Module is scaled at normal resolution – 1 step = 4 ns.

So if $(E_1 - E_2)$ is 1 mV, and CYC_ADJ_GAIN is 0, the cycle adjustment will be 4 nanoseconds. This will make the duty cycle on any DPWM with CLA_DUTY_ADJ_EN set 4 nanoseconds longer.

5.14 Loop Mux Registers Reference

5.14.1 Front End Control 0 Mux Register (FECTRL0MUX)

Address 00020000

Figure 5-2. Front End Control 0 Mux Register (FECTRL0MUX)

13	12	11	10	9	8		
NL_SEL		DPWM3_FRAME_SYNC_EN	DPWM2_FRAME_SYNC_EN	DPWM1_FRAME_SYNC_EN	DPWM0_FRAME_SYNC_EN		
R/W-01		R/W-0	R/W-0	R/W-0	R/W-0	R/W-0	
7	6	5	4	3	2	1	0
DPWM3_B_TRIG_EN	DPWM2_B_TRIG_EN	DPWM1_B_TRIG_EN	DPWM0_B_TRIG_EN	DPWM3_A_TRIG_EN	DPWM2_A_TRIG_EN	DPWM1_A_TRIG_EN	DPWM0_A_TRIG_EN
R/W-0	R/W-0	R/W-0	R/W-0	R/W-0	R/W-0	R/W-0	R/W-0

LEGEND: R/W = Read/Write; R = Read only; -n = value after reset

Table 5-1. Front End Control 0 Mux Register (FECTRL0MUX) Register Field Descriptions

Bit	Field	Type	Reset	Description
13-12	NL_SEL	R/W	01	Configures source of Non-Linear (NL) comparison results used in Automatic Gain Shifting 0 = Filter 0 NL Results used 1 = Filter 1 NL Results used 2 = Filter 2 NL Results used (Default)

Table 5-1. Front End Control 0 Mux Register (FECTRL0MUX) Register Field Descriptions (continued)

Bit	Field	Type	Reset	Description
11	DPWM3_FRAME_SYNC_EN	R/W	0	Enables DPWM Trigger from DPWM 3 Frame Sync to Front End Control 0 = DPWM 3 Frame Sync not routed to Front End Control (Default) 1 = DPWM 3 Frame Sync routed to Front End Control
10	DPWM2_FRAME_SYNC_EN	R/W	0	Enables DPWM Trigger from DPWM 2 Frame Sync to Front End Control 0 = DPWM 2 Frame Sync not routed to Front End Control (Default) 1 = DPWM 2 Frame Sync routed to Front End Control
9	DPWM1_FRAME_SYNC_EN	R/W	0	Enables DPWM Trigger from DPWM 1 Frame Sync to Front End Control 0 = DPWM 1 Frame Sync not routed to Front End Control (Default) 1 = DPWM 1 Frame Sync routed to Front End Control
8	DPWM0_FRAME_SYNC_EN	R/W	0	Enables DPWM Trigger from DPWM 0 Frame Sync to Front End Control 0 = DPWM 0 Frame Sync not routed to Front End Control (Default) 1 = DPWM 0 Frame Sync routed to Front End Control
7	DPWM3_B_TRIG_EN	R/W	0	Enables DPWM Trigger from DPWM 3 PWM-B to Front End Control 0 = DPWM 3 PWM-B trigger not routed to Front End Control (Default) 1 = DPWM 3 PWM-B trigger routed to Front End Control
6	DPWM2_B_TRIG_EN	R/W	0	Enables DPWM Trigger from DPWM 2 PWM-B to Front End Control 0 = DPWM 2 PWM-B trigger not routed to Front End Control (Default) 1 = DPWM 2 PWM-B trigger routed to Front End Control
5	DPWM1_B_TRIG_EN	R/W	0	Enables DPWM Trigger from DPWM 1 PWM-B to Front End Control 0 = DPWM 1 PWM-B trigger not routed to Front End Control (Default) 1 = DPWM 1 PWM-B trigger routed to Front End Control
4	DPWM0_B_TRIG_EN	R/W	0	Enables DPWM Trigger from DPWM 0 PWM-B to Front End Control 0 = DPWM 0 PWM-B trigger not routed to Front End Control (Default) 1 = DPWM 0 PWM-B trigger routed to Front End Control
3	DPWM3_A_TRIG_EN	R/W	0	Enables DPWM Trigger from DPWM 3 PWM-A to Front End Control 0 = DPWM 3 PWM-A trigger not routed to Front End Control (Default) 1 = DPWM 3 PWM-A trigger routed to Front End Control
2	DPWM2_A_TRIG_EN	R/W	0	Enables DPWM Trigger from DPWM 2 PWM-B to Front End Control 0 = DPWM 2 PWM-A trigger not routed to Front End Control (Default) 1 = DPWM 2 PWM-A trigger routed to Front End Control
1	DPWM1_A_TRIG_EN	R/W	0	Enables DPWM Trigger from DPWM 1 PWM-B to Front End Control 0 = DPWM 1 PWM-A trigger not routed to Front End Control (Default) 1 = DPWM 1 PWM-A trigger routed to Front End Control
0	DPWM0_A_TRIG_EN	R/W	0	Enables DPWM Trigger from DPWM 0 PWM-B to Front End Control 0 = DPWM 0 PWM-A trigger not routed to Front End Control (Default) 1 = DPWM 0 PWM-A trigger routed to Front End Control

Table 5-2. Front End Control 1 Mux Register (FECTRL1MUX) Register Field Descriptions (continued)

Bit	Field	Type	Reset	Description
3	DPWM3_A_TRIG_EN	R/W	0	Enables DPWM Trigger from DPWM 3 PWM-A to Front End Control 0 = DPWM 3 PWM-A trigger not routed to Front End Control (Default) 1 = DPWM 3 PWM-A trigger routed to Front End Control
2	DPWM2_A_TRIG_EN	R/W	0	Enables DPWM Trigger from DPWM 2 PWM-B to Front End Control 0 = DPWM 2 PWM-A trigger not routed to Front End Control (Default) 1 = DPWM 2 PWM-A trigger routed to Front End Control
1	DPWM1_A_TRIG_EN	R/W	0	Enables DPWM Trigger from DPWM 1 PWM-B to Front End Control 0 = DPWM 1 PWM-A trigger not routed to Front End Control (Default) 1 = DPWM 1 PWM-A trigger routed to Front End Control
0	DPWM0_A_TRIG_EN	R/W	0	Enables DPWM Trigger from DPWM 0 PWM-B to Front End Control 0 = DPWM 0 PWM-A trigger not routed to Front End Control (Default) 1 = DPWM 0 PWM-A trigger routed to Front End Control

5.14.3 Front End Control 2 Mux Register (FECTRL2MUX)

Address 00020008

Figure 5-4. Front End Control 2 Mux Register (FECTRL2MUX)

13	12	11	10	9	8		
NL_SEL		DPWM3_FRAME_SYNC_EN	DPWM2_FRAME_SYNC_EN	DPWM1_FRAME_SYNC_EN	DPWM0_FRAME_SYNC_EN		
R/W-01		R/W-0	R/W-0	R/W-0	R/W-0		
7	6	5	4	3	2	1	0
DPWM3_B_TRIG_EN	DPWM2_B_TRIG_EN	DPWM1_B_TRIG_EN	DPWM0_B_TRIG_EN	DPWM3_A_TRIG_EN	DPWM2_A_TRIG_EN	DPWM1_A_TRIG_EN	DPWM0_A_TRIG_EN
R/W-0	R/W-0	R/W-0	R/W-0	R/W-0	R/W-0	R/W-0	R/W-0

LEGEND: R/W = Read/Write; R = Read only; -n = value after reset

Table 5-3. Front End Control 2 Mux Register (FECTRL2MUX) Register Field Descriptions

Bit	Field	Type	Reset	Description
13-12	NL_SEL	R/W	01	Configures source of Non-Linear (NL) comparison results used in Automatic Gain Shifting 0 = Filter 0 NL Results used 1 = Filter 1 NL Results used 2 = Filter 2 NL Results used (Default)
11	DPWM3_FRAME_SYNC_EN	R/W	0	Enables DPWM Trigger from DPWM 3 Frame Sync to Front End Control 0 = DPWM 3 Frame Sync not routed to Front End Control (Default) 1 = DPWM 3 Frame Sync routed to Front End Control
10	DPWM2_FRAME_SYNC_EN	R/W	0	Enables DPWM Trigger from DPWM 2 Frame Sync to Front End Control 0 = DPWM 2 Frame Sync not routed to Front End Control (Default) 1 = DPWM 2 Frame Sync routed to Front End Control
9	DPWM1_FRAME_SYNC_EN	R/W	0	Enables DPWM Trigger from DPWM 1 Frame Sync to Front End Control 0 = DPWM 1 Frame Sync not routed to Front End Control (Default) 1 = DPWM 1 Frame Sync routed to Front End Control
8	DPWM0_FRAME_SYNC_EN	R/W	0	Enables DPWM Trigger from DPWM 0 Frame Sync to Front End Control 0 = DPWM 0 Frame Sync not routed to Front End Control (Default) 1 = DPWM 0 Frame Sync routed to Front End Control
7	DPWM3_B_TRIG_EN	R/W	0	Enables DPWM Trigger from DPWM 3 PWM-B to Front End Control 0 = DPWM 3 PWM-B trigger not routed to Front End Control (Default) 1 = DPWM 3 PWM-B trigger routed to Front End Control
6	DPWM2_B_TRIG_EN	R/W	0	Enables DPWM Trigger from DPWM 2 PWM-B to Front End Control 0 = DPWM 2 PWM-B trigger not routed to Front End Control (Default) 1 = DPWM 2 PWM-B trigger routed to Front End Control
5	DPWM1_B_TRIG_EN	R/W	0	Enables DPWM Trigger from DPWM 1 PWM-B to Front End Control 0 = DPWM 1 PWM-B trigger not routed to Front End Control (Default) 1 = DPWM 1 PWM-B trigger routed to Front End Control
4	DPWM0_B_TRIG_EN	R/W	0	Enables DPWM Trigger from DPWM 0 PWM-B to Front End Control 0 = DPWM 0 PWM-B trigger not routed to Front End Control (Default) 1 = DPWM 0 PWM-B trigger routed to Front End Control

Table 5-3. Front End Control 2 Mux Register (FECTRL2MUX) Register Field Descriptions (continued)

Bit	Field	Type	Reset	Description
3	DPWM3_A_TRIG_EN	R/W	0	Enables DPWM Trigger from DPWM 3 PWM-A to Front End Control 0 = DPWM 3 PWM-A trigger not routed to Front End Control (Default) 1 = DPWM 3 PWM-A trigger routed to Front End Control
2	DPWM2_A_TRIG_EN	R/W	0	Enables DPWM Trigger from DPWM 2 PWM-B to Front End Control 0 = DPWM 2 PWM-A trigger not routed to Front End Control (Default) 1 = DPWM 2 PWM-A trigger routed to Front End Control
1	DPWM1_A_TRIG_EN	R/W	0	Enables DPWM Trigger from DPWM 1 PWM-B to Front End Control 0 = DPWM 1 PWM-A trigger not routed to Front End Control (Default) 1 = DPWM 1 PWM-A trigger routed to Front End Control
0	DPWM0_A_TRIG_EN	R/W	0	Enables DPWM Trigger from DPWM 0 PWM-B to Front End Control 0 = DPWM 0 PWM-A trigger not routed to Front End Control (Default) 1 = DPWM 0 PWM-A trigger routed to Front End Control

5.14.4 Sample Trigger Control Register (SAMPTRIGCTRL)

Address 0002000C

Figure 5-5. Sample Trigger Control Register (SAMPTRIGCTRL)

11		10		9		8	
FE2_TRIG_DPWM3_EN		FE2_TRIG_DPWM2_EN		FE2_TRIG_DPWM1_EN		FE2_TRIG_DPWM0_EN	
R/W-0		R/W-0		R/W-0		R/W-0	
7	6	5	4	3	2	1	0
FE1_TRIG_DPWM3_EN	FE1_TRIG_DPWM2_EN	FE1_TRIG_DPWM1_EN	FE1_TRIG_DPWM0_EN	FE0_TRIG_DPWM3_EN	FE0_TRIG_DPWM2_EN	FE0_TRIG_DPWM1_EN	FE0_TRIG_DPWM0_EN
R/W-0	R/W-0	R/W-0	R/W-0	R/W-0	R/W-0	R/W-0	R/W-0

LEGEND: R/W = Read/Write; R = Read only; -n = value after reset

Table 5-4. Sample Trigger Control Register (SAMPTRIGCTRL) Register Field Descriptions

Bit	Field	Type	Reset	Description
11	FE2_TRIG_DPWM3_EN	R/W	0	Enables Sample Trigger from DPWM 3 to Front End Control 2 0 = DPWM 3 Sample Trigger not routed to Front End Control 2 (Default) 1 = DPWM 3 Sample Trigger routed to Front End Control 2
10	FE2_TRIG_DPWM2_EN	R/W	0	Enables Sample Trigger from DPWM 2 to Front End Control 2 0 = DPWM 2 Sample Trigger not routed to Front End Control 2 (Default) 1 = DPWM 2 Sample Trigger routed to Front End Control 2
9	FE2_TRIG_DPWM1_EN	R/W	0	Enables Sample Trigger from DPWM 1 to Front End Control 2 0 = DPWM 1 Sample Trigger not routed to Front End Control 2 (Default) 1 = DPWM 1 Sample Trigger routed to Front End Control 2
8	FE2_TRIG_DPWM0_EN	R/W	0	Enables Sample Trigger from DPWM 0 to Front End Control 2 0 = DPWM 0 Sample Trigger not routed to Front End Control 2 (Default) 1 = DPWM 0 Sample Trigger routed to Front End Control 2
7	FE1_TRIG_DPWM3_EN	R/W	0	Enables Sample Trigger from DPWM 3 to Front End Control 1 0 = DPWM 3 Sample Trigger not routed to Front End Control 1 (Default) 1 = DPWM 3 Sample Trigger routed to Front End Control 1
6	FE1_TRIG_DPWM2_EN	R/W	0	Enables Sample Trigger from DPWM 2 to Front End Control 1 0 = DPWM 2 Sample Trigger not routed to Front End Control 1 (Default) 1 = DPWM 2 Sample Trigger routed to Front End Control 1
5	FE1_TRIG_DPWM1_EN	R/W	0	Enables Sample Trigger from DPWM 1 to Front End Control 1 0 = DPWM 1 Sample Trigger not routed to Front End Control 1 (Default) 1 = DPWM 1 Sample Trigger routed to Front End Control 1
4	FE1_TRIG_DPWM0_EN	R/W	0	Enables Sample Trigger from DPWM 0 to Front End Control 1 0 = DPWM 0 Sample Trigger not routed to Front End Control 1 (Default) 1 = DPWM 0 Sample Trigger routed to Front End Control 1
3	FE0_TRIG_DPWM3_EN	R/W	0	Enables Sample Trigger from DPWM 3 to Front End Control 0 0 = DPWM 3 Sample Trigger not routed to Front End Control 0 (Default) 1 = DPWM 3 Sample Trigger routed to Front End Control 0
2	FE0_TRIG_DPWM2_EN	R/W	0	Enables Sample Trigger from DPWM 2 to Front End Control 0 0 = DPWM 2 Sample Trigger not routed to Front End Control 0 (Default) 1 = DPWM 2 Sample Trigger routed to Front End Control 0

Table 5-4. Sample Trigger Control Register (SAMPTRIGCTRL) Register Field Descriptions (continued)

Bit	Field	Type	Reset	Description
1	FE0_TRIG_DPWM1_EN	R/W	0	Enables Sample Trigger from DPWM 1 to Front End Control 0 0 = DPWM 1 Sample Trigger not routed to Front End Control 0 (Default) 1 = DPWM 1 Sample Trigger routed to Front End Control 0
0	FE0_TRIG_DPWM0_EN	R/W	0	Enables Sample Trigger from DPWM 0 to Front End Control 0 0 = DPWM 0 Sample Trigger not routed to Front End Control 0 (Default) 1 = DPWM 0 Sample Trigger routed to Front End Control 0

5.14.5 External DAC Control Register (EXTDACCTRL)

Address 00020010

Figure 5-6. External DAC Control Register (EXTDACCTRL)

26	24	23	19	18	16
DAC2_SEL		Reserved			DAC1_SEL
R/W-000		R/W-0 0000			R/W-000
15	11	10	8	7	3 2 1 0
Reserved		DAC0_SEL	Reserved		EXT_D AC2_E N
R-0 0000		R/W-000	R-0 0000		EXT_D AC1_E N
R-0 0000		R/W-000	R-0 0000		EXT_D AC0_E N
R-0 0000		R/W-000	R-0 0000		R/W-0 R/W-0 R/W-0

LEGEND: R/W = Read/Write; R = Read only; -n = value after reset

Table 5-5. External DAC Control Register (EXTDACCTRL) Register Field Descriptions

Bit	Field	Type	Reset	Description
26-24	DAC2_SEL	R/W	000	Configures DAC 2 setpoint in External DAC Mode 0 = DAC 0 Setpoint Selected (Default) 1 = DAC 1 Setpoint Selected 3 = Output of Constant Power Module Selected 4 = Filter 0 Output Selected 5 = Filter 1 Output Selected 6 = Filter 2 Output Selected
23-19	Reserved	R	0 0000	
18-16	DAC1_SEL	R/W	000	Configures DAC 1 setpoint in External DAC Mode 0 = DAC 0 Setpoint Selected (Default) 2 = DAC 2 Setpoint Selected 3 = Output of Constant Power Module Selected 4 = Filter 0 Output Selected 5 = Filter 1 Output Selected 6 = Filter 2 Output Selected
15-11	Reserved	R	0 0000	
10-8	DAC0_SEL	R/W	000	Configures DAC 0 setpoint in External DAC Mode 1 = DAC 1 Setpoint Selected 2 = DAC 2 Setpoint Selected 3 = Output of Constant Power Module Selected 4 = Filter 0 Output Selected 5 = Filter 1 Output Selected 6 = Filter 2 Output Selected
7-3	Reserved	R	0 0000	
2	EXT_DAC2_EN	R/W	0	External DAC 1 Mode Enable 0 = External DAC Mode disabled. DAC 1 setpoint driven from Front End Control Module (Default) 1 = External DAC Mode enabled, DAC 1 setpoint driven by DAC1_SEL configuration

Table 5-5. External DAC Control Register (EXTDACCTRL) Register Field Descriptions (continued)

Bit	Field	Type	Reset	Description
1	EXT_DAC1_EN	R/W	0	External DAC 1 Mode Enable 0 = External DAC Mode disabled. DAC 1 setpoint driven from Front End Control Module (Default) 1 = External DAC Mode enabled, DAC 1 setpoint driven by DAC1_SEL configuration
0	EXT_DAC0_EN	R/W	0	External DAC 0 Mode Enable 0 = External DAC Mode disabled. DAC 0 setpoint driven from Front End Control Module (Default) 1 = External DAC Mode enabled, DAC 0 setpoint driven by DAC0_SEL configuration

5.14.6 Filter Mux Register (FILTERMUX)

Address 00020014

Figure 5-7. Filter Mux Register (FILTERMUX)

29	28	27	26	25	24		
FILTER2_KCOMP_SEL		FILTER1_KCOMP_SEL		FILTER0_KCOMP_SEL			
R/W-00		R/W-00		R/W-00			
23		19	18	17	16		
Reserved				FILTER2_FFWD_SEL	FILTER1_FFWD_SEL	FILTER0_FFWD_SEL	
R-0 0000				R/W-0	R/W-0	R/W-0	
15	14	13	12	11	10	9	8
Reserved		FILTER2_PER_SEL		FILTER1_PER_SEL		FILTER0_PER_SEL	
R-00		R/W-00		R/W-00		R/W-00	
7	6	5	4	3	2	1	0
Reserved		FILTER2_FE_SEL		FILTER1_FE_SEL		FILTER0_FE_SEL	
R-00		R/W-10		R/W-01		R/W-00	

LEGEND: R/W = Read/Write; R = Read only; -n = value after reset

Table 5-6. Filter Mux Register (FILTERMUX) Register Field Descriptions

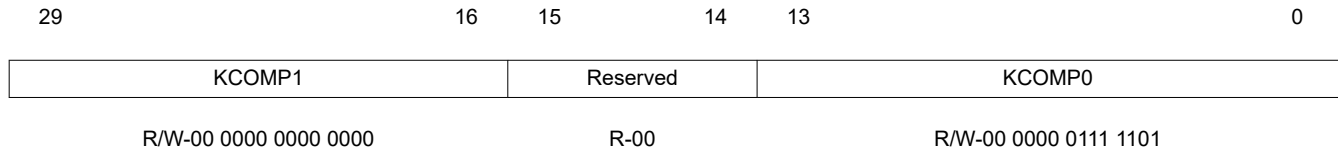
Bit	Field	Type	Reset	Description
29-28	FILTER2_KCOMP_SEL	R/W	00	Selects KComp value routed to Filter 2 Module 0 = KComp 0 Value Selected (Default) 1 = KComp 1 Value Selected 2 = KComp 2 Value Selected
27-26	FILTER1_KCOMP_SEL	R/W	00	Selects KComp value routed to Filter 1 Module 0 = KComp 0 Value Selected (Default) 1 = KComp 1 Value Selected 2 = KComp 2 Value Selected
25-24	FILTER0_KCOMP_SEL	R/W	00	Selects KComp value routed to Filter 0 Module 0 = KComp 0 Value Selected (Default) 1 = KComp 1 Value Selected 2 = KComp 2 Value Selected
23-19	Reserved	R	0 0000	
18	FILTER2_FFWD_SEL	R/W	0	Configures Feedforward value routed to Filter 2 Module 0 = Filter 0 Output Selected (Default) 1 = Filter 1 Output Selected
17	FILTER1_FFWD_SEL	R/W	0	Configures Feedforward value routed to Filter 1 Module 0 = Filter 0 Output Selected (Default) 1 = Filter 2 Output Selected

Table 5-6. Filter Mux Register (FILTERMUX) Register Field Descriptions (continued)

Bit	Field	Type	Reset	Description
16	FILTER0_FFWD_SEL	R/W	0	Configures Feedforward value routed to Filter 0 Module 0 = Filter 1 Output Selected (Default) 1 = Filter 2 Output Selected
15-14	Reserved	R	00	
13-12	FILTER2_PER_SEL	R/W	00	Selects source of switching cycle period for Filter 2 Module 0 = DPWM 0 Switching Period (Default) 1 = DPWM 1 Switching Period 2 = DPWM 2 Switching Period 3 = DPWM 3 Switching Period
11-10	FILTER1_PER_SEL	R/W	00	Selects source of switching cycle period for Filter 1 Module 0 = DPWM 0 Switching Period (Default) 1 = DPWM 1 Switching Period 2 = DPWM 2 Switching Period 3 = DPWM 3 Switching Period
9-8	FILTER0_PER_SEL	R/W	00	Selects source of switching cycle period for Filter 0 Module 0 = DPWM 0 Switching Period (Default) 1 = DPWM 1 Switching Period 2 = DPWM 2 Switching Period 3 = DPWM 3 Switching Period
7-6	Reserved	R		
5-4	FILTER2_FE_SEL	R/W	10	Selects which Front End Module provides data for Filter 2 Module 0 = Front End Module 0 provides data to Filter 1 = Front End Module 1 provides data to Filter 2 = Front End Module 2 provides data to Filter (Default)
3-2	FILTER1_FE_SEL	R/W	01	Selects which Front End Module provides data for Filter 1 Module 0 = Front End Module 0 provides data to Filter 1 = Front End Module 1 provides data to Filter (Default) 2 = Front End Module 2 provides data to Filter
1-0	FILTER0_FE_SEL	R/W	00	Selects which Front End Module provides data for Filter 0 Module 0 = Front End Module 0 provides data to Filter (Default) 1 = Front End Module 1 provides data to Filter 2 = Front End Module 2 provides data to Filter

5.14.7 Filter KComp A Register (FILTERKCOMP A)

Address 00020018

Figure 5-8. Filter KComp A Register (FILTERKCOMP A)


LEGEND: R/W = Read/Write; R = Read only; -n = value after reset

Table 5-7. Filter KComp A Register (FILTERKCOMP A) Register Field Descriptions

Bit	Field	Type	Reset	Description
29-16	KCOMP1	R/W	00 0000 0000 0000	14-bit value used in filter output calculations replacing the DPWM switching period value
15-14	Reserved	R	00	
13-0	KCOMP0	R/W	00 0000 0111 1101	14-bit value used in filter output calculations replacing the DPWM switching period value

5.14.8 Filter KComp B Register (FILTERKCOMPB)

Address 0002001C

Figure 5-9. Filter KComp B Register (FILTERKCOMPB)

13

0



R/W-00 0000 0000 0000

LEGEND: R/W = Read/Write; R = Read only; -n = value after reset

Table 5-8. Filter KComp B Register (FILTERKCOMPB) Register Field Descriptions

Bit	Field	Type	Reset	Description
13-0	KCOMP2	R/W	00 0000 0000 0000	14-bit value used in filter output calculations replacing the DPWM switching period value

5.14.9 DPWM Mux Register (DPWMMUX)

Address 00020020

Figure 5-10. DPWM Mux Register (DPWMMUX)

31	30	29	28	27	26	25	24
DPWM3_SYNC_FET_SEL		DPWM2_SYNC_FET_SEL		DPWM1_SYNC_FET_SEL		DPWM0_SYNC_FET_SEL	
R/W-00		R/W-00		R/W-00		R/W-00	
23	22	21	20	19	18	17	16
Reserved				DPWM3_SYNC_SEL		DPWM2_SYNC_SEL	
R-0000				R/W-00		R/W-00	
15	14	13	12	11	10	9	8
DPWM1_SYNC_SEL		DPWM0_SYNC_SEL		DPWM3_FILTER_SEL			DPWM2_FILTER_SEL
R/W-00		R/W-00		R/W-000			R/W-010
7	6	5	4	3	2	1	0
DPWM2_FILTER_SEL		DPWM1_FILTER_SEL			DPWM0_FILTER_SEL		
R/W-010		R/W-001			R/W-000		

LEGEND: R/W = Read/Write; R = Read only; -n = value after reset

Table 5-9. DPWM Mux Register (DPWMMUX) Register Field Descriptions

Bit	Field	Type	Reset	Description
31-30	DPWM3_SYNC_FET_SEL	R/W	00	Selects Ramp source for DPWM3 PWM-B SyncFET soft on/off 0 = Front End 0 Ramp output selected (Default) 1 = Front End 1 Ramp output selected 2 = Front End 2 Ramp output selected
29-28	DPWM2_SYNC_FET_SEL	R/W	00	Selects Ramp source for DPWM2 PWM-B SyncFET soft on/off 0 = Front End 0 Ramp output selected (Default) 1 = Front End 1 Ramp output selected 2 = Front End 2 Ramp output selected
27-26	DPWM1_SYNC_FET_SEL	R/W	00	Selects Ramp source for DPWM1 PWM-B SyncFET soft on/off 0 = Front End 0 Ramp output selected (Default) 1 = Front End 1 Ramp output selected 2 = Front End 2 Ramp output selected
25-24	DPWM0_SYNC_FET_SEL	R/W	00	Selects Ramp source for DPWM0 PWM-B SyncFET soft on/off 0 = Front End 0 Ramp output selected (Default) 1 = Front End 1 Ramp output selected 2 = Front End 2 Ramp output selected
23-20	Reserved	R	0000	

Table 5-9. DPWM Mux Register (DPWMMUX) Register Field Descriptions (continued)

Bit	Field	Type	Reset	Description
19-18	DPWM3_SYNC_SEL	R/W	00	Selects Master Sync for DPWM 3 when DPWM 3 configured in slave mode 0 = DPWM 0 Sync (Default) 1 = DPWM 1 Sync 2 = DPWM 2 Sync 3 = DPWM 3 Sync
17-16	DPWM2_SYNC_SEL	R/W	00	Selects Master Sync for DPWM 2 when DPWM 2 configured in slave mode 0 = DPWM 0 Sync (Default) 1 = DPWM 1 Sync 2 = DPWM 2 Sync 3 = DPWM 3 Sync
15-14	DPWM1_SYNC_SEL	R/W	00	Selects Master Sync for DPWM 1 when DPWM 1 configured in slave mode 0 = DPWM 0 Sync (Default) 1 = DPWM 1 Sync 2 = DPWM 2 Sync 3 = DPWM 3 Sync
13-12	DPWM0_SYNC_SEL	R/W	00	Selects Master Sync for DPWM 0 when DPWM 0 configured in slave mode 0 = DPWM 0 Sync (Default) 1 = DPWM 1 Sync 2 = DPWM 2 Sync 3 = DPWM 3 Sync
11-9	DPWM3_FILTER_SEL	R/W	000	Selects source of duty cycle/resonant period for DPWM Module 3 0 = Filter 0 Output Selected (Default) 1 = Filter 1 Output Selected 2 = Filter 2 Output Selected 3 = Constant Power Module Selected 4 = DPWM_ON_TIME value from Light Load Control Register
8-6	DPWM2_FILTER_SEL	R/W	010	Selects source of duty cycle/resonant period for DPWM Module 2 0 = Filter 0 Output Selected 1 = Filter 1 Output Selected 2 = Filter 2 Output Selected (Default) 3 = Constant Power Module Selected 4 = DPWM_ON_TIME value from Light Load Control Register
5-3	DPWM1_FILTER_SEL	R/W	001	Selects source of duty cycle/resonant period for DPWM Module 1 0 = Filter 0 Output Selected 1 = Filter 1 Output Selected (Default) 2 = Filter 2 Output Selected 3 = Constant Power Module Selected 4 = DPWM_ON_TIME value from Light Load Control Register
2-0	DPWM0_FILTER_SEL	R/W	000	Selects source of duty cycle/resonant period for DPWM Module 0 0 = Filter 0 Output Selected (Default) 1 = Filter 1 Output Selected 2 = Filter 2 Output Selected 3 = Constant Power Module Selected 4 = DPWM_ON_TIME value from Light Load Control Register

5.14.10 Constant Power Control Register (CPCTRL)

Address 00020024

Figure 5-11. Constant Power Control Register (CPCTRL)

15	14	13	12	11	10	9	8
DAC_COMP_EN	FW_DIVISOR_EN	LOWER_COMP_EN	VLOOP_FREEZE_EN	VLOOP_SEL		CLOOP_SEL	
R/W-0	R/W-0	R/W-0	R/W-0	R/W-00		R/W-00	
7	6	5	4	3	2	1	0
THRESH_SEL			DIVISOR_SEL		CCPC_INT_EN	CPCC_CONFIG	CPCC_EN
R/W-000			R/W-00		R/W-0	R/W-0	R/W-0

LEGEND: R/W = Read/Write; R = Read only; -n = value after reset

CCPC_INT_EN	DAC_COMP_EN	FW_DIVISOR_EN	LOWER_COMP_EN	VLOOP_FREEZE_EN	VLOOP_SEL		CLOOP_SEL	
R/W-0	R/W-0	R/W-0	R/W-0	R/W-0	R/W-00		R/W-00	
7	6	5	4	3	2	1	0	
THRESH_SEL			DIVISOR_SEL		CPCC_CONFIG		CPCC_EN	
R/W-000			R/W-00		R/W-0		R/W-0	

LEGEND: R/W = Read/Write; R = Read only; -n = value after reset

Table 5-10. Constant Power Control Register (CPCTRL) Register Field Descriptions

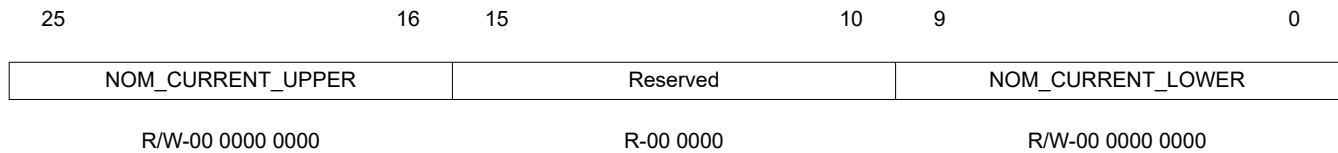
Bit	Field	Type	Reset	Description
15	DAC_COMP_EN	R/W	0	Enables comparison of DAC Setpoint and quotient of Max Power/Sense Current in Loop Switching Mode. Minimum of DAC setpoint and calculated quotient sets voltage loop setpoint in Constant Voltage and Constant Power modes 0 = Operating Mode controls Voltage Loop DAC Setpoint (Default) 1 = Minimum of DAC setpoint and calculated quotient used as Voltage Loop DAC Setpoint
14	FW_DIVISOR_EN	R/W	0	Enables Firmware value for divisor in Constant Power calculations 0 = Divisor selected by DIVISOR_SEL (Bits 7:6) (Default) 1 = Divisor driven by Firmware Current Register
13	LOWER_COMP_EN	R/W	0	Enables output of lowest duty from current or voltage loop when Constant Power/ Constant Current module controls loop output 0 = Loop output controlled by mode selection, voltage loop selected in constant voltage and constant power mode, current loop selected in constant current mode (Default) 1 = Loop output controlled by lowest duty from voltage or current loops

Table 5-10. Constant Power Control Register (CPCTRL) Register Field Descriptions (continued)

Bit	Field	Type	Reset	Description
12	VLOOP_FREEZE_EN	R/W	0	Enables freezing of Voltage Loop Integrator when current loop selected in Loop Switching configuration 0 = Freezing of Voltage Loop Integrator disabled (Default) 1 = Freezing of Voltage Loop Integrator enabled
11-10	VLOOP_SEL	R/W	00	Configures voltage loop for loop switching mode 0 = Filter 0 Output Selected (Default) 1 = Filter 1 Output Selected 2 = Filter 2 Output Selected
9-8	CLOOP_SEL	R/W	00	Configures current loop for loop switching mode 0 = Filter 0 Output Selected (Default) 1 = Filter 1 Output Selected 2 = Filter 2 Output Selected
7-5	THRESH_SEL	R/W	000	Configures input threshold selected for use in Constant Power comparison 0 = Filter 0 Output Selected (Default) 1 = Filter 1 Output Selected 2 = Filter 2 Output Selected 3 = Front End 0 Absolute Value Data Selected 4 = Front End 1 Absolute Value Data Selected 5 = Front End 2 Absolute Value Data Selected
4-3	DIVISOR_SEL	R/W	00	Configures value used for divisor in Constant Power calculations 0 = Front End 0 Absolute Value Data Selected (Default) 1 = Front End 1 Absolute Value Data Selected 2 = Front End 2 Absolute Value Data Selected
2	CCPC_INT_EN	R/W	0	Constant Power/Constant Current Interrupt Enable 0 = Interrupt disabled on mode switches (Default) 1 = Interrupt enabled on mode switches
1	CPCC_CONFIG	R/W	0	Controls Constant Power/Constant Current module configuration 0 = Average Current Mode (Default) 1 = Constant Power Module controls selection of voltage/current loop
0	CPCC_EN	R/W	0	Constant Power Constant/Current Module Enable 0 = Constant Power/Constant Current Module disabled (Default) 1 = Constant Power/Constant Current Module enabled

5.14.11 Constant Power Nominal Threshold Register (CPNOM)

Address 00020028

Figure 5-12. Constant Power Nominal Threshold Register (CPNOM)


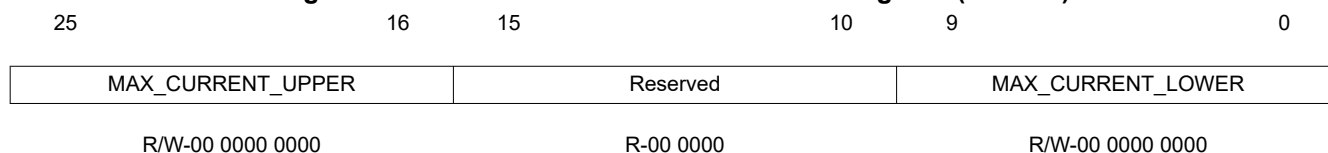
LEGEND: R/W = Read/Write; R = Read only; -n = value after reset

Table 5-11. Constant Power Nominal Threshold Register (CPNOM) Register Field Descriptions

Bit	Field	Type	Reset	Description
25-16	NOM_CURRENT_UPPER	R/W	00 0000 0000	Configures INOM value used in Constant Power/Constant Current Calculations, when sensed value exceeds NOM_CURRENT_UPPER in Constant Voltage mode, setpoint will switch to Constant Power mode
15-10	Reserved	R	00 0000	
9-0	NOM_CURRENT_LOWER	R/W	00 0000 0000	Configures INOM value used in Constant Power/Constant Current Calculations, when sensed value falls below NOM_CURRENT_LOWER in Constant Power mode, setpoint will switch to Constant Voltage mode

5.14.12 Constant Power Max Threshold Register (CPMAX)

Address 0002002C

Figure 5-13. Constant Power Max Threshold Register (CPMAX)


LEGEND: R/W = Read/Write; R = Read only; -n = value after reset

Table 5-12. Constant Power Max Threshold Register (CPMAX) Register Field Descriptions

Bit	Field	Type	Reset	Description
25-16	MAX_CURRENT_UPPER	R/W	00 0000 0000	Configures IMAX value used in Constant Power/Constant Current Calculations, when sensed value exceeds MAX_CURRENT_UPPER in Constant Power mode, setpoint will switch to Max Current mode
15-10	Reserved	R	00 0000	
9-0	MAX_CURRENT_LOWER	R/W	00 0000 0000	Configures IMAX value used in Constant Power/Constant Current Calculations, when sensed value falls below MAX_CURRENT_LOWER in Max Current mode, setpoint will switch to Constant Power mode

5.14.13 Constant Power Configuration Register (CPCONFIG)

Address 00020030

Figure 5-14. Constant Power Configuration Register (CPCONFIG)

25	16	15	10	9	0
MAX_CURRENT	Reserved			NOM_VOLTAGE	
R/W-00 0000 0000	R-00 0000			R/W-00 0000 0000	

LEGEND: R/W = Read/Write; R = Read only; -n = value after reset

Table 5-13. Constant Power Configuration Register (CPCONFIG) Register Field Descriptions

Bit	Field	Type	Reset	Description
25-16	MAX_CURRENT	R/W	00 0000 0000	Configures I_{MAX} setpoint used in Constant Power/Constant Current Calculations in Max Current mode
15-10	Reserved	R	00 0000	
9-0	NOM_VOLTAGE	R/W	00 0000 0000	Configures V_{NOM} setpoint used in Constant Power/Constant Current Calculations in Constant Voltage mode (Loop Oring configuration selected)

5.14.14 Constant Power Max Power Register (CPMAXPWR)

Address 00020034

Figure 5-15. Constant Power Max Power Register (CPMAXPWR)

19

0



R/W-0000 0000 0000 0000 0000

LEGEND: R/W = Read/Write; R = Read only; -n = value after reset

Table 5-14. Constant Power Max Power Register (CPMAXPWR) Register Field Descriptions

Bit	Field	Type	Reset	Description
19-0	MAX_POWER	R/W	0000 0000 0000 0000 0000	Configures P_{MAX} value used in Constant Power/Constant Current calculations in Constant Power mode

5.14.15 Constant Power Integrator Threshold Register (CPINTTHRESH)

Address 00020038

Figure 5-16. Constant Power Integrator Threshold Register (CPINTTHRESH)

23

0



R/W-0000 0000 0000 0000 0000

LEGEND: R/W = Read/Write; R = Read only; -n = value after reset

Table 5-15. Constant Power Integrator Threshold Register (CPINTTHRESH) Register Field Descriptions

Bit	Field	Type	Reset	Description
23-0	INT_THRESH	R/W	0000 0000 0000 0000 0000	24-bit signed value added to Current Loop Duty value to determine when to freeze Current Loop Integrator

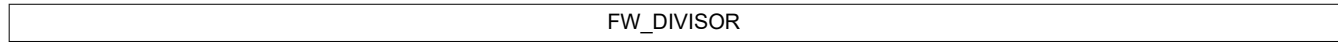
5.14.16 Constant Power Firmware Divisor Register (CPFWDIVISOR)

Address 0002003C

Figure 5-17. Constant Power Firmware Divisor Register (CPFWDIVISOR)

9

0



R/W-00 0000 0000

LEGEND: R/W = Read/Write; R = Read only; -n = value after reset

Table 5-16. Constant Power Firmware Divisor Register (CPFWDIVISOR) Register Field Descriptions

Bit	Field	Type	Reset	Description
9-0	FW_DIVISOR	R/W	00 0000 0000	10-bit value used in Constant Power calculation when firmware value is selected in Bit 17 of Constant Power Control Register

5.14.17 Constant Power Status Register (CPSTAT)

Address 00020040

Figure 5-18. Constant Power Status Register (CPSTAT)

8	7	6	5	4	3	2	1	0
CONSTANT _CUR	CONSTANT _PWR	CONSTANT _VOLT	CC_TO_CV _INT	CV_TO_CC _INT	CC_TO_CP _INT	CP_TO_CC _INT	CP_TO_CV _INT	CV_TO_CP _INT
R-0	R-0	R-0	R-0	R-0	R-0	R-0	R-0	R-0

LEGEND: R/W = Read/Write; R = Read only; -n = value after reset

Table 5-17. Constant Power Status Register (CPSTAT) Register Field Descriptions

Bit	Field	Type	Reset	Description
8	CONSTANT_CUR	R	0	Constant Current Mode Indication 0 = Constant Current Mode not enabled 1 = Constant Current Mode enabled
7	CONSTANT_PWR	R	0	Constant Power Mode Indication 0 = Constant Power Mode not enabled 1 = Constant Power Mode enabled
6	CONSTANT_VOLT	R	0	Constant Voltage Mode Indication 0 = Constant Voltage Mode not enabled 1 = Constant Voltage Mode enabled
5	CC_TO_CV_INT	R	0	Constant Current Mode to Constant Voltage Mode latched status, cleared on read 0 = No transition from Constant Current to Constant Voltage detected 1 = Transition from Constant Current to Constant Voltage detected
4	CV_TO_CC_INT	R	0	Constant Voltage Mode to Constant Current Mode latched status, cleared on read 0 = No transition from Constant Voltage to Constant Current detected 1 = Transition from Constant Voltage to Constant Current detected
3	CC_TO_CP_INT	R	0	Constant Current Mode to Constant Power Mode latched status, cleared on read 0 = No transition from Constant Current to Constant Power detected 1 = Transition from Constant Current to Constant Power detected
2	CP_TO_CC_INT	R	0	Constant Power Mode to Constant Current Mode latched status, cleared on read 0 = No transition from Constant Power to Constant Current detected 1 = Transition from Constant Power to Constant Current detected
1	CP_TO_CV_INT	R	0	Constant Power Mode to Constant Voltage Mode latched status, cleared on read 0 = No transition from Constant Power to Constant Voltage detected 1 = Transition from Constant Power to Constant Voltage detected
0	CV_TO_CP_INT	R	0	Constant Voltage Mode to Constant Power Mode latched status, cleared on read 0 = No transition from Constant Voltage to Constant Power detected 1 = Transition from Constant Voltage to Constant Power detected

5.14.18 Cycle Adjustment Control Register (CYCADJCTRL)

Address 00020044

Figure 5-19. Cycle Adjustment Control Register (CYCADJCTRL)

9	7	6	5	4	3	2	1	0	
CYC_ADJ_GAIN			CYC_ADJ_SYNC		SECOND_SAMPLE_SEL		FIRST_SAMPLE_SEL		CYC_ADJ_EN
R/W-000			R/W-00		R/W-00		R/W-00		R/W-0

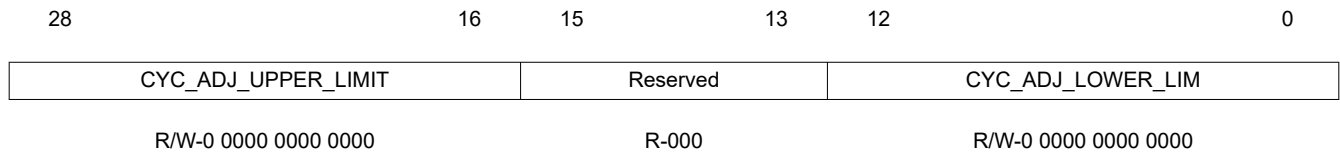
LEGEND: R/W = Read/Write; R = Read only; -n = value after reset

Table 5-18. Cycle Adjustment Control Register (CYCADJCTRL) Register Field Descriptions

Bit	Field	Type	Reset	Description
9-7	CYC_ADJ_GAIN	R/W	000	Configures gain of Cycle Adjustment calculation 0 = 1x gain (Default) 1 = 2x gain 2 = 4x gain 3 = 8x gain 4 = 16x gain 5 = 32x gain 6 = 64x gain 7 = 128x gain
6-5	CYC_ADJ_SYNC	R/W	00	Selects which DPWM A trigger synchronizes cycle adjustment calculation, first 2 samples after receipt of DPWM A trigger will be used for Cycle Adjustment Calculation. 0 = DPWM-1A trigger selected (Default) 1 = DPWM-2A trigger selected 2 = DPWM-3A trigger selected 3 = DPWM-4A trigger selected
4-3	SECOND_SAMPLE_SEL	R/W	00	Configures Front End Module Data used for Second Sample of Cycle Adjustment Calculation 0 = Front End Module 0 Error Data selected (Default) 1 = Front End Module 1 Error Data selected 2 = Front End Module 2 Error Data selected
2-1	FIRST_SAMPLE_SEL	R/W	00	Configures Front End Module Data used for First Sample of Cycle Adjustment Calculation 0 = Front End Module 0 Error Data selected (Default) 1 = Front End Module 1 Error Data selected 2 = Front End Module 2 Error Data selected
0	CYC_ADJ_EN	R/W	0	Cycle Adjustment Calculation Enable 0 = Cycle Adjustment Calculation disabled (Default) 1 = Cycle Adjustment Calculation enabled

5.14.19 Cycle Adjustment Limit Register (CYCADJLIM)

Address 00020048

Figure 5-20. Cycle Adjustment Limit Register (CYCADJLIM)


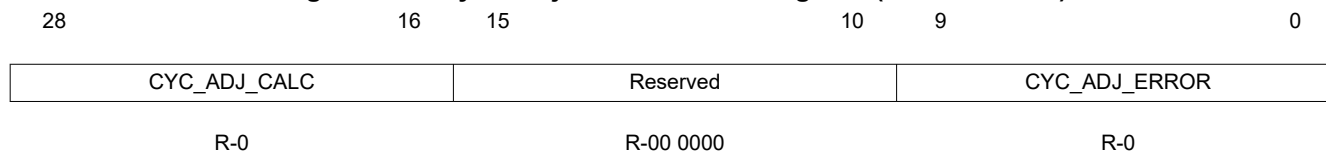
LEGEND: R/W = Read/Write; R = Read only; -n = value after reset

Table 5-19. Cycle Adjustment Limit Register (CYCADJLIM) Register Field Descriptions

Bit	Field	Type	Reset	Description
28-16	CYC_ADJ_UPPER_LIMIT	R/W	0 0000 0000 0000	Cycle Adjustment Calculation signed upper limit value, output of Cycle Adjustment Calculation is clamped at the upper limit, if calculated result exceeds the upper limit. LSB resolution equals High Frequency Oscillator period/16.
15-13	Reserved	R	000	
12-0	CYC_ADJ_LOWER_LIM	R/W	0 0000 0000 0000	Cycle Adjustment Calculation signed lower limit value, output of Cycle Adjustment Calculation is clamped at the lower limit, if calculated result falls below the lower limit. LSB resolution equals High Frequency Oscillator period/16.

5.14.20 Cycle Adjustment Status Register (CYCADJSTAT)

Address 0002004C

Figure 5-21. Cycle Adjustment Status Register (CYCADJSTAT)


LEGEND: R/W = Read/Write; R = Read only; -n = value after reset

Table 5-20. Cycle Adjustment Status Register (CYCADJSTAT) Register Field Descriptions

Bit	Field	Type	Reset	Description
28-16	CYC_ADJ_CALC	R	0	13-bit signed value representing calculated Cycle Adjustment provided to DPWM module based on first 2 error samples
15-10	Reserved	R	00 0000	
9-0	CYC_ADJ_ERROR	R	0	10-bit signed value representing calculated error of the first 2 error samples received

5.14.21 Global Enable Register (GLBEN)

Address 00020050

Figure 5-22. Global Enable Register (GLBEN)

10	9	8	7	4	3	2	1	0
FE_CTRL2_EN	FE_CTRL1_EN	FE_CTRL0_EN	Reserved		DPWM3_EN	DPWM2_EN	DPWM1_EN	DPWM0_EN
R/W-0	R/W-0	R/W-0	R-0000		R/W-0	R/W-0	R/W-0	R/W-0

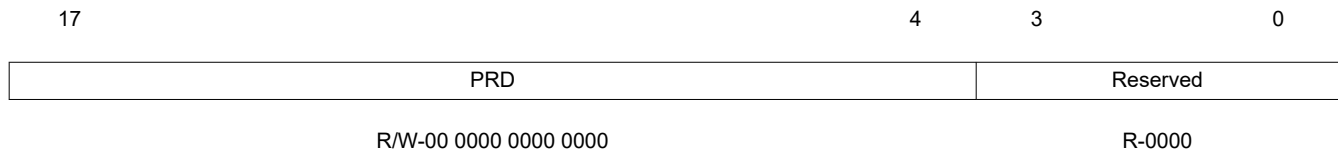
LEGEND: R/W = Read/Write; R = Read only; -n = value after reset

Table 5-21. Global Enable Register (GLBEN) Register Field Descriptions

Bit	Field	Type	Reset	Description
10	FE_CTRL2_EN	R/W	0	Global Firmware Enable for Front End Control 2 Module 0 = Front End Control 2 Module Disabled (Default) 1 = Front End Control 2 Module Enabled
9	FE_CTRL1_EN	R/W	0	Global Firmware Enable for Front End Control 1 Module 0 = Front End Control 1 Module Disabled (Default) 1 = Front End Control 1 Module Enabled
8	FE_CTRL0_EN	R/W	0	Global Firmware Enable for Front End Control 0 Module 0 = Front End Control 0 Module Disabled (Default) 1 = Front End Control 0 Module Enabled
7-4	Reserved	R	0000	
3	DPWM3_EN	R/W	0	Global Firmware Enable for DPWM 3 Module 0 = DPWM 3 Module Disabled (Default) 1 = DPWM 3 Module Enabled
2	DPWM2_EN	R/W	0	Global Firmware Enable for DPWM 2 Module 0 = DPWM 2 Module Disabled (Default) 1 = DPWM 2 Module Enabled
1	DPWM1_EN	R/W	0	Global Firmware Enable for DPWM 1 Module 0 = DPWM 1 Module Disabled (Default) 1 = DPWM 1 Module Enabled
0	DPWM0_EN	R/W	0	Global Firmware Enable for DPWM 0 Module 0 = DPWM 0 Module Disabled (Default) 1 = DPWM 0 Module Enabled

5.14.22 PWM Global Period Register (PWMGLBPRD)

Address 00020054

Figure 5-23. PWM Global Period Register (PWMGLBPRD)


LEGEND: R/W = Read/Write; R = Read only; -n = value after reset

Table 5-22. PWM Global Period Register (PWMGLBPRD) Register Field Descriptions

Bit	Field	Type	Reset	Description
17-4	PRD	R/W	00 0000 0000 0000	Global PWM Period value, overriding DPWM Period settings when global PWM period is selected within each DPWM module
3-0	Reserved	R	0000	

5.14.23 Sync Control Register (SYNCCTRL)

Address 00020058

Figure 5-24. Sync Control Register (SYNCCTRL)

5	4	2	1	0
SYNC_IN	SYNC_MUX_SEL		SYNC_OUT	SYNC_DIR
R-0	R/W-001		R/W-1	R/W-1

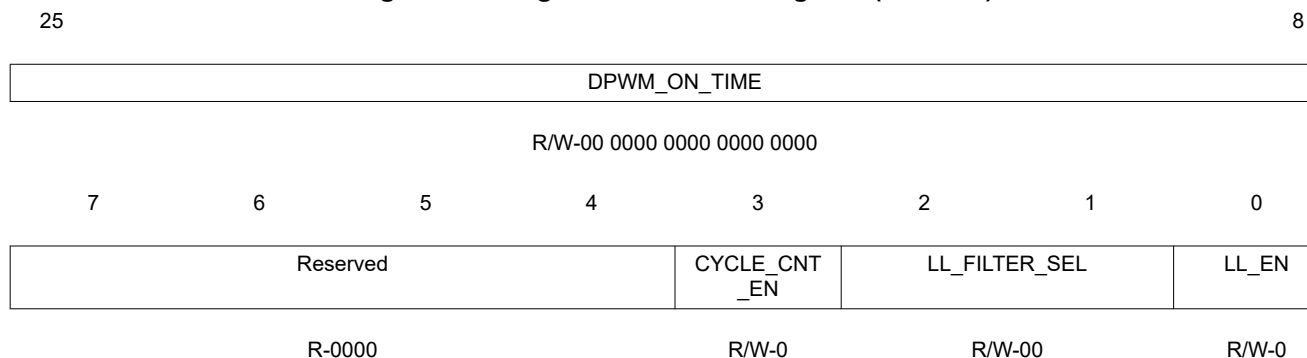
LEGEND: R/W = Read/Write; R = Read only; -n = value after reset

Table 5-23. Sync Control Register (SYNCCTRL) Register Field Descriptions

Bit	Field	Type	Reset	Description
5	SYNC_IN	R	0	Value of Sync pin 0 = Logic level low present on Sync pin 1 = Logic level high present on Sync pin
4-2	SYNC_MUX_SEL	R/W	001	Selects which module controls Sync pin output 000 = DPWM 0 Sync Output (Default) 001 = DPWM 1 Sync Output 010 = DPWM 2 Sync Output 011 = DPWM 3 Sync Output 100 = Value from SYNC_OUT (Bit 1) 101 = Value specified by CLKSR in CLKCNTL (See Section 16.5.1) 110 = Low-Frequency Oscillator Clock Output 111 = Driven low
1	SYNC_OUT	R/W	1	Configure output value for Sync pin, if used as an output 0 = Sync pin driven low in output mode 1 = Sync pin driven high in output mode (Default)
0	SYNC_DIR	R/W	1	Configure direction of Sync pin 0 = Sync pin configured as an output pin 1 = Sync pin configured as an input pin (Default)

5.14.24 Light Load Control Register (LLCTRL)

Address 0002005C

Figure 5-25. Light Load Control Register (LLCTRL)


LEGEND: R/W = Read/Write; R = Read only; -n = value after reset

Table 5-24. Light Load Control Register (LLCTRL) Register Field Descriptions

Bit	Field	Type	Reset	Description
25-8	DPWM_ON_TIME	R/W	00 0000 0000 0000 0000	DPWM pulse width used for EADC-based light load mode operation, when selected Filter data exceeds TURN_ON_THRESH value
7-4	Reserved	R	0000	
3	CYCLE_CNT_EN	R/W	0	Enables Switching Cycle Counter for enabling constant pulse widths when configured in Light Load operation 0 = Switching Cycle Counter disabled (Default) 1 = Switching Cycle Counter enabled
2-1	LL_FILTER_SEL	R/W	00	Configures source of filter data for Light Load comparisons 0 = Filter 0 data selected (Default) 1 = Filter 1 data selected 2 = Filter 2 data selected
0	LL_EN	R/W	0	EADC-based Light Load Mode Enable 0 = Light Load Mode disabled (Default) 1 = Light Load Mode enabled

5.14.25 Light Load Enable Threshold Register (LLENTHRESH)

Address 00020060

Figure 5-26. Light Load Enable Threshold Register (LLENTHRESH)

31	24	23	18	17	0
CYCLE_CNT_THRESH	Reserved		TURN_ON_THRESH		
R/W-0000 0000	R-0000 00		R/W-00 0000 0000 0000 0000		

LEGEND: R/W = Read/Write; R = Read only; -n = value after reset

Table 5-25. Light Load Enable Threshold Register (LLENTHRESH) Register Field Descriptions

Bit	Field	Type	Reset	Description
31-24	CYCLE_CNT_THRESH	R/W	0000 0000	Switching Cycle threshold where constant width DPWM pulses are enabled when number of switching cycles without pulses exceeds threshold
23-18	Reserved	R	0000 00	
17-0	TURN_ON_THRESH	R/W	00 0000 0000 000 0000	Filter data threshold where constant width DPWM pulses are enabled when filter data exceeds threshold

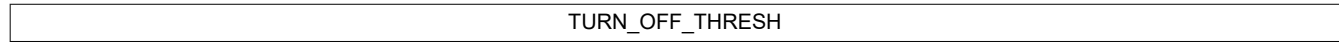
5.14.26 Light Load Disable Threshold Register (LLDISTHRESH)

Address 00020064

Figure 5-27. Light Load Disable Threshold Register (LLDISTHRESH)

17

0



R/W-00 0000 0000 0000 0000

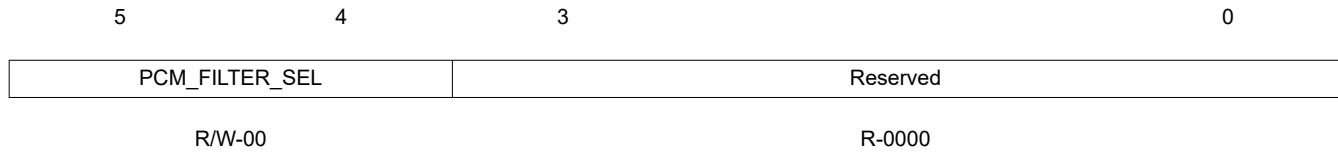
LEGEND: R/W = Read/Write; R = Read only; -n = value after reset

Table 5-26. Light Load Disable Threshold Register (LLDISTHRESH) Register Field Descriptions

Bit	Field	Type	Reset	Description
17-0	TURN_OFF_THRESH	R/W	00 0000 0000 0000 0000	Filter data threshold where constant width DPWM pulses are disabled when filter data falls below threshold

5.14.27 Peak Current Mode Control Register (PCMCTRL)

Address 00020068

Figure 5-28. Peak Current Mode Control Register (PCMCTRL)


LEGEND: R/W = Read/Write; R = Read only; -n = value after reset

Table 5-27. Peak Current Mode Control Register (PCMCTRL) Register Field Descriptions

Bit	Field	Type	Reset	Description
5-4	PCM_FILTER_SEL	R/W	00	Selects source of Peak Current Slope Compensation Ramp Start 0 = Filter 0 data selected (Default) 1 = Filter 1 data selected 2 = Filter 2 data selected 3 = Constant Power/Constant Current data selected
3-0	Reserved	R	0000	

5.14.28 Analog Peak Current Mode Control Register (APCMCTRL)

Address 00020070

Figure 5-29. Analog Peak Current Mode Control Register (APCMCTRL)

3	2	1	0
PCM_LATCH_EN	PCM_FE_SEL		PCM_EN
R/W-0	R/W-00		R/W-0

LEGEND: R/W = Read/Write; R = Read only; -n = value after reset

PCM_FILTER_SEL	PCM_LATCH_EN	PCM_FE_SEL	PCM_EN
R/W-00	R/W-0	R/W-00	R/W-0

LEGEND: R/W = Read/Write; R = Read only; -n = value after reset

Table 5-28. Analog Peak Current Mode Control Register (APCMCTRL) Register Field Descriptions

Bit	Field	Type	Reset	Description
3	PCM_LATCH_EN	R/W	0	Enables latching of Peak Current Flag to end of frame 0 = PCM Flag is not latched to end of PCM Frame (Default) 1 = PCM Flag is latched to end of PCM Frame
2-1	PCM_FE_SEL	R/W	00	Selects source of Front End Comparator output for Analog Peak Current Mode Control 0 = Front End Control 0 Comparator output selected (Default) 1 = Front End Control 1 Comparator output selected 2 = Front End Control 2 Comparator output selected
0	PCM_EN	R/W	0	Analog Peak Current Mode Control Module Enable 0 = Analog Peak Current Mode Control Module disabled (Default) 1 = Analog Peak Current Mode Control Module enabled

5.14.29 Loop Mux Test Register (LOOPMUXTEST) (Test Use Only)

Address 00020074

Figure 5-30. Loop Mux Test Register (LOOPMUXTEST) (Test Use Only)

18	17	16	15	10
BIST_COMP	BIST_EN	EADC_TRIM_TEST_EN	EADC_REF_TRIM	
R-0	R/W-0	R/W-0	R/W-000000	
9	8	7	2	1 0
EADC_REF_RESET	EADC_REF_EN	GAIN_TRIM		AFE_GAIN
R/W-1	R/W-0	R/W-0000 00		R/W-11

LEGEND: R/W = Read/Write; R = Read only; -n = value after reset

Table 5-29. Loop Mux Test Register (LOOPMUXTEST) (Test Use Only) Register Field Descriptions

Bit	Field	Type	Reset	Description
18	BIST_COMP	R	0	High-Speed Loop BIST Complete Status 0 = High-Speed Loop BIST not complete 1 = High-Speed Loop BIST completed
17	BIST_EN	R/W	0	High-Speed Loop BIST Enable 0 = High-Speed Loop BIST disabled (Default) 1 = High-Speed Loop BIST enabled
16	EADC_TRIM_TEST_EN	R/W	0	EADC Trim Test Mode Enable 0 = EADC Trim Test Mode disabled (Default) 1 = EADC Trim Test Mode enabled, bits 15:0 provided to all 3 Analog Front End modules
15-10	EADC_REF_TRIM	R/W	000000	EADC Reference Trim Value. Bits will be programmed during test and should not be overwritten by firmware.
9	EADC_REF_RESET	R/W	1	EADC Reference Reset 0 = Reference not in reset 1 = Resets Reference (Default)
8	EADC_REF_EN	R/W	0	EADC Reference Enable 0 = Disables EADC Reference (Default) 1 = Enables EADC Reference
7-2	GAIN_TRIM	R/W	0000 00	Sets trim for EADC Gain.
1-0	AFE_GAIN	R/W	11	AFE Front End Gain Setting 0 = 1x Gain, 8mV/LSB 1 = 2x Gain, 4mV/LSB 2 = 4x Gain, 2mV/LSB 3 = 8x Gain, 1mV/LSB (Default)



The Fault Mux registers control a multiplexer which connects power supply fault signals to DPWMs. They also perform several other functions

- Configuration of analog and digital comparators and fault pins for fault detection
- Monitoring of fault status
- Digital Ideal Diode Emulation circuit for synchronous rectification FETs
- Processor clock failure detection
- Support for analog peak current mode control

The Fault Mux is responsible for fault detection and connection, while the DPWM is responsible for the action taken to handle the fault. Even though most of the control for fault response action is based in the DPWM registers, it is discussed in this section (in this way all information relating to the Fault information is available in one location).

Here is an overview of the fault handling system in the UCD3138:

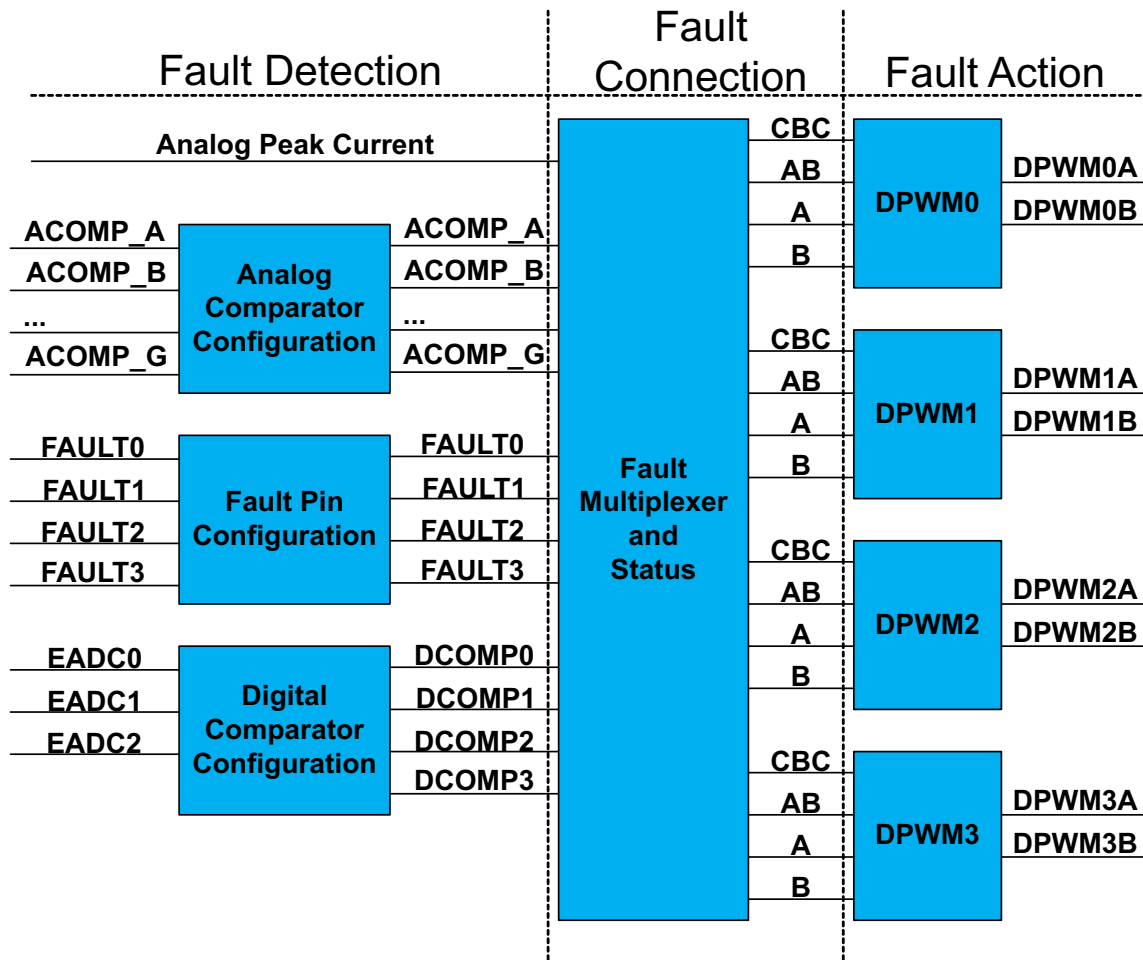


Figure 6-1. UCD3138 Fault Handling System

The system is very flexible and powerful. There are 7 analog comparators, 4 fault pins, and 4 digital comparators. Each DPWM has 4 fault inputs which affect its outputs in different ways. Any combination of fault detection outputs can be connected to drive any combination of DPWM fault inputs.

Here are three examples:

1. Many fault outputs mapped to a single fault input - An analog comparator in charge of over voltage protection, a digital comparator in charge of over current protection and an external digital fault pin can be all mapped to a fault-A signal connected to a single DPWM fault input and shut down DPWM1-A.
2. Single fault output mapped to many fault inputs inside many DPWM modules - An analog comparator in charge of over current protection can be mapped to all DPWM-0 through DPWM-3 through several fault modules.
3. Many fault sources mapped to a many fault modules inside many DPWM modules. A flexible combination of both above mentioned alternatives.

6.1 Analog Comparator Configuration.....	233
6.2 Analog Comparator Ramp.....	234
6.3 Digital Comparator Configuration.....	234
6.4 Fault Pin Configuration.....	235
6.5 Analog Peak Current.....	235
6.6 Fault Status Registers.....	235
6.7 Fault Mux Control Registers.....	235
6.8 DPWM Fault Action.....	236

6.9 IDE / DCM Detection Control	237
6.10 Oscillator Failure Detection	240
6.11 Fault Mux Registers Reference	240

6.1 Analog Comparator Configuration

The analog comparators are controlled by the ACOMPCTRL0 to ACOMPCTRL3 registers. Figure 6-2 shows how the control works:

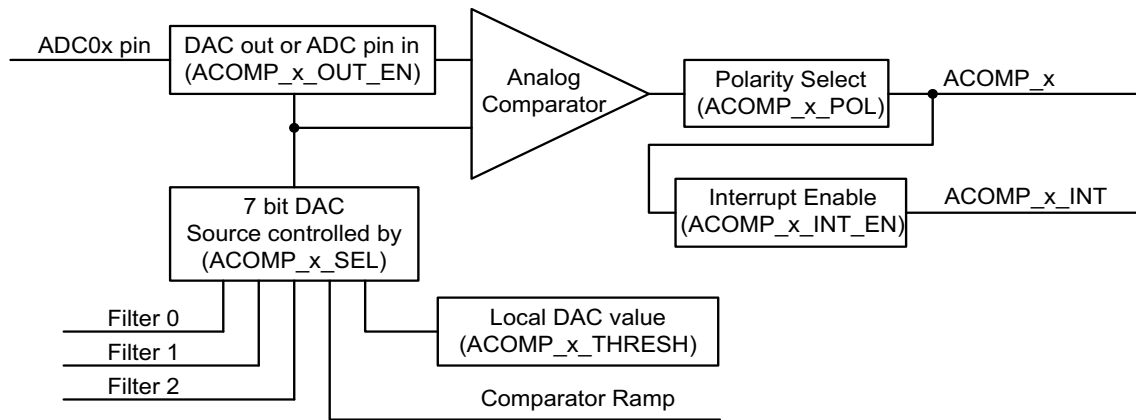


Figure 6-2. UCD3138 Analog Comparator Control

All the names in parentheses on the drawing above are bitfield names in the ACOMPCTRL registers. The Analog Comparators are sampled at the HFO rate (nominal 250 MHz). Any fault on the Analog Comparators will be transmitted to the Fault Mux regardless of the DPWM timing.

6.1.1 ACOMP_EN

The first step in starting the analog comparators is to set the ACOMP_EN bit in ACOMPCTRL0.

```
FaultMuxRegs.ACOMPCTRL0.bit.ACOMP_EN = 1;
```

This bit enables all the analog comparators.

6.1.2 ACOMP_x_THRESH

For typical operation - detecting an overcurrent or over voltage fault - only the ACOMP_x_THRESH register needs to be written. It is written with a value that corresponds to the fault level on the input pin.

```
FaultMuxRegs.ACOMPCTRL1.bit.ACOMP_C_THRESH = OVER_VOLTAGE_THRESH;
```

All the other registers are set to defaults which work for this application.

6.1.3 ACOMP_x_POL

To detect a fault caused by a voltage going below a threshold, rather than above, clear the ACOMP_x_POL bit. A zero in this bit causes the ACOMP_x signal to go active when the ADC pin goes below the comparator threshold.

6.1.4 ACOMP_x_INT_EN

The ACOMP_x_INT_EN bit, when set enables an interrupt from the Analog Comparator.

6.1.5 ACOMP_x_OUT_EN

The ACOMP_x_OUT_EN bit when set, puts the DAC value out on the ADC pin, which can be used as an external reference. Consult the UCD3138 device datasheet for additional information. When this bit is enabled, obviously the comparator output signals are not valid.

6.1.6 ACOMP_x_SEL

The comparator DAC can also be driven by other data – Filter outputs and a comparator ramp engine. The ACOMP_x_SEL register selects which of these sources is used.

6.1.7 ACOMP_F_REF_SEL

Analog Comparator F is a special case. It can be configured to use AD07 as a reference instead of the DAC. To enable this, set the ACOMP_F_REF_SEL bit in ACOMPCTRL2.

6.1.8 ACOMPCTRL Register Arrangement

There are 7 Analog Comparators, but only 4 ACOMPCTRL registers. The comparators are organized 2 to a register.

6.2 Analog Comparator Ramp

The analog comparator ramp logic is a digital circuit which can provide a ramping value to the comparator reference DACs. It is a simpler, lower resolution version of the ramp engines in the Front Ends (for information regarding the Front End ramp engines, refer to [Section 3.3](#)). The key differentiating features of the Analog Comparator Ramp are as follows:

- Only 7 bits of resolution
- Ramp steps are triggered by MCLK (Nominal 31.25 MHz.)
- Ramp start is triggered by DPWMx frame start as selected by DPWMx_TRIG_EN bits.
- Ramp always falls, ramp end value is always 0x00 (DAC minimum)

6.3 Digital Comparator Configuration

The Digital Comparator is another fault detection mechanism. Instead of a direct analog input, it uses the result of the Front End EADC measurement to detect faults.

There are 4 Digital Comparators, controlled by the DCOMPCTRL0, 1, 2, and 3 registers.

They use the FE_SEL bitfield to select which Front End is used as a source, and whether the absolute or error data from that Front End is used.

Like the Analog Comparators, they can be programmed to detect a fault either above or below the threshold. The COMP_POL bit is used to select this.

There is also an INT_EN bit to enable the interrupt. Each Digital Comparator has its own COMP_EN bit to enable it.

The reference threshold for the comparator is much simpler, it only comes from the THRESH bit-field. It does have 11 bits of resolution, more than the Analog comparator.

The Digital Comparator adds a counter that can require several sequential fault detections before the signal is passed on to the Fault Mux.

The CNT_THRESH bitfield controls the number of fault detections required. Writing a 1 to the CNT_CLR bit will clear the counter and the associated fault.

If the counter reaches the CNT_THRESH value, it will be locked, and the DCOMP_x signal will be sent to the Fault Mux.

The Digital Comparator performs its comparison on each sample from the selected Front End. Fault detection can only occur after each sample from the Front End.

The CNT_CONFIG bit controls handling of sequences of samples which contain some fault samples and some non-fault samples. In the default mode – CNT_CONFIG = 0 – a non-fault sample will clear the counter (assuming it hasn't reached CNT_THRESH).

If CNT_CONFIG = 1, a non-fault event will decrement the counter, unless the counter is already zero. With this setting, if the fault occurs more than 50% of the time, eventually the counter will reach the threshold.

There is also a DCOMPSTAT register which gives the value in each of the counters. This register is read only.

6.4 Fault Pin Configuration

There are 4 fault pins, Fault 0 to Fault 3. Their configuration is very simple.

- FAULTx_POL sets polarity
- FAULTx_INT_EN enables the interrupt
- FAULTx_DET_EN enables fault detection.

All these bits are in the EXTFAULTCTRL register. Like the Analog Comparators, the fault pins are sampled at the MCLK rate.

6.5 Analog Peak Current

Analog Peak Current is another input to the Fault Mux. It is not technically a fault, since it controls the normal operation of a power supply based on peak current mode control. The Analog Peak Current signal comes from a Front End, and can only be routed to the CBC (Cycle by Cycle) input of the DPWM. For additional information consult the reference firmware provided with UCD3138PSFBEVM-029 EVM.

6.6 Fault Status Registers

There are two registers which give the fault detection status: FAULTMUXINTSTAT and FAULTMUXRAWSTAT.

Both have the same bits, but they mean different things.

FAULTMUXRAWSTAT shows the instantaneous status of each fault.

FAULTMUXINTSTAT shows any faults which:

- Have occurred since the last read of FAULTMUXINTSTAT
- Have interrupts enabled

This is especially useful for detecting faults which may occur only for short times during a period. Reading from this register clears the fault from the fault detection interrupt logic. This interrupt logic is independent of the signals routed to the Fault Mux and to the DPWM. These signals are latched only in the DPWM logic, not anywhere else.

The registers also have bits for LFO_FAIL (Low Frequency Oscillator Fail) and for DCM_DETECT (Discontinuous Mode Detected). These sources are described elsewhere. Neither of these signals is used as an input to the Fault Mux.

6.7 Fault Mux Control Registers

There are 4 DPWM modules, 0-3. Each DPWM module has 4 fault inputs, CLIM, AB, A, and B.

There are 3 fault Mux registers for each DPWM:

- DPWMxCLIM – controls CLIM, also known as CBC
- DPWMxFLTABDET – controls the AB fault input
- DPWMxFAULTDET – controls the A and B fault inputs.

Programming these registers is very simple. There is a bit for each fault detection source in each register.

Setting it connects that fault detection source to the fault input and DPWM for that register. Here is an example:

```

FaultMuxRegs.DPWM0FLTABDET.bit.ACOMP_B_EN = 1;
// Connect analog comp B to DPWM0 fault input AB

```

Controlling the A and B fault inputs in the same register works like this:

```

FaultMuxRegs.DPWM0FAULTDET.bit.PWMA_ACOMP_B_EN = 1;
//Connect analog comparator B to DPWM0 fault A
FaultMuxRegs.DPWM0FAULTDET.bit.PWMB_ACOMP_B_EN = 1;
//Connect analog comparator B to DPWM0 fault B

```

Almost any fault detection circuit can be connected to any fault input on any DPWM. The only exception is the Analog Peak Current mode, which can only be connected to the CLIM fault input:

```
FaultMuxRegs.DPWM0CLIM.bit.ANALOG_PCM_EN = 1;
```

6.8 DPWM Fault Action

The final section in the fault chain is the fault action, which takes place in the DPWM module. Here is a drawing showing the main points of fault action:

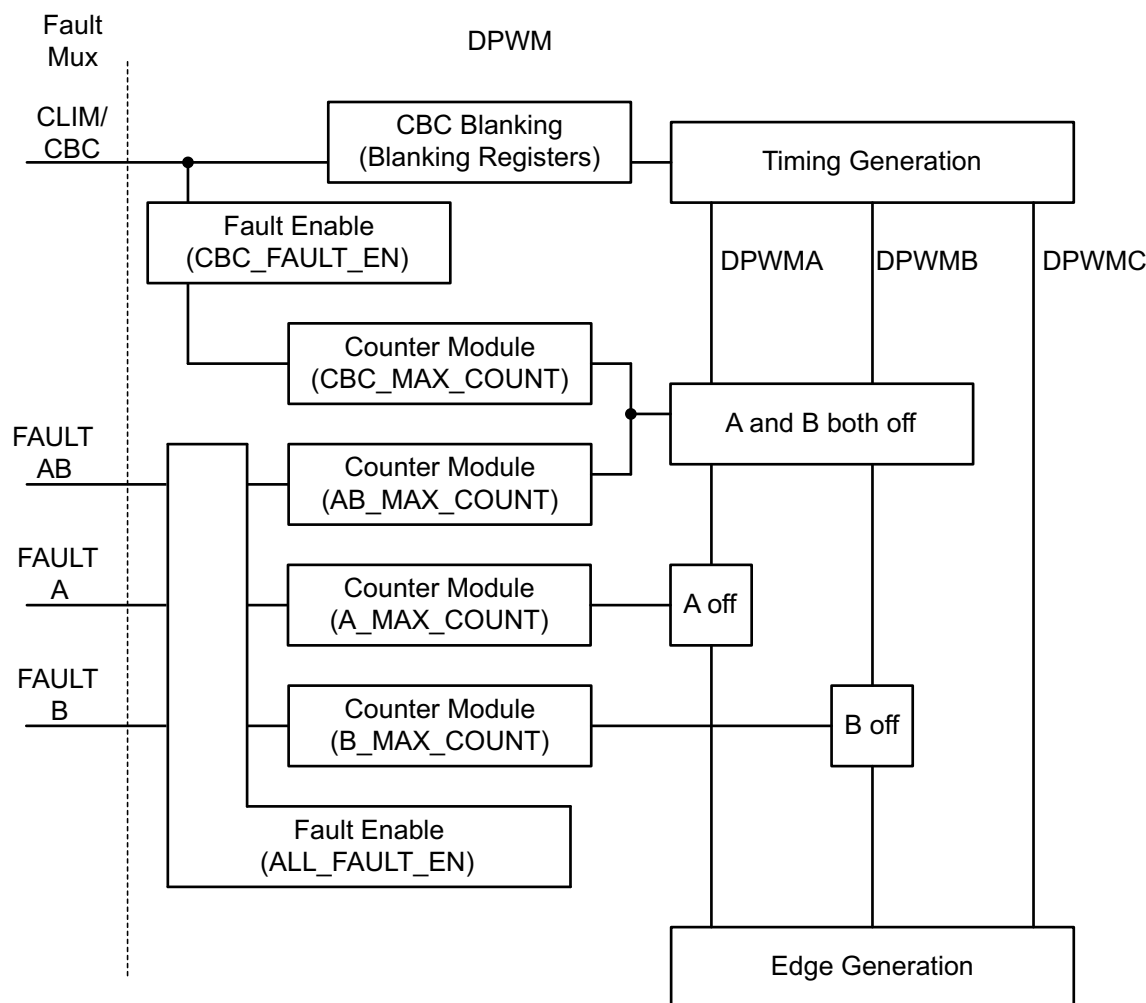


Figure 6-3. UCD3138 DPWM Fault Action

This drawing fits in with the overview of the DPWM in [Figure 2-1](#). The portion expanded here is the fault handler portion. The connection of the CLIM/CBC signal to the Timing Generation Module is also shown.

For information on the effect of CLIM/CBC in the timing module, see [Section 2.15.3](#). The bits described in that section affect the CLIM/CBC signal which is sent to the Timing Generator. [Chapter 2](#) also describes the Blanking Registers in the DPWM, which permit blanking of the CLIM/CBC signal to the Timing Generation module. These registers are used to prevent switching noise from causing false triggers of the CBC logic. They can also be used to synchronize CBC triggers between DPWMs with different on-times. The blanking registers affect different edges depending on topology. The effects are as follows:

- For normal and resonant modes, blanking A and B windows are applied to PWM-A only
- For triangular mode, blanking A and B windows are applied to PWM-B only

- For all other modes, blanking A and B windows are applied to PWM-A and PWM-B respectively

CLIM/CBC is also used by the Fault Handler, which is described below. The two mechanisms are completely independent of each other, except they have the same input signal. The Blanking Registers do not affect the CLIM/CBC signal which goes to the Fault Handler.

This section will describe the logic in the fault handling portion of the DPWM.

All 4 signals, CLIM/CBC, AB,A, and B can be used as fault signals, and all are used in exactly the same way, except they shut off different DPWM signals.

As shown, there are 2 enable bits, CBC_FAULT_EN for CLIM/CBC, and ALL_FAULT_EN for the other 3. Each fault has its own 5 bit counter, with a maximum value set by a dedicated x_MAX_COUNT bit-field. The fault lines are monitored continuously, but only one event per DPWM period is counted. If the x_MAX_COUNT value is set to 0, the first fault event will shut off the appropriate DPWM pins. The maximum number of sequential fault periods is 31, if the x_MAX_COUNT field is loaded with a 0x1f.

The faults must occur sequentially. If any period completes without a fault, the counter will be reset.

The faults handler is much simpler than the CLIM/CBC in the timing generator. They simply latch off either 1 or 2 of the DPWM pins. To restart the DPWM, it is necessary to disable it using either the global enable register:

```
void global_enable(void)
{
//Enable DPWM0, DPWM1, DPWM2, DPWM3, FE_CTRL0 AND FE_CTRL1 simultaneously.
LoopMuxRegs.GLBEN.all = 0x30F;
}
void global_disable(void)
{
//Disable DPWM0, DPMW1, DPWM2 and DPWM3 simultaneously.
LoopMuxRegs.GLBEN.all = 0x300;
}
```

Or the local DPWM enable register:

```
Dpwm0Regs.DPWMCTRL0.bit.PWM_EN = 0;
Dpwm0Regs.DPWMCTRL0.bit.PWM_EN = 1;
```

The DPWMINT register can be used to configure Fault interrupts, as well as other interrupts. It can also be used to read the status of those interrupts. The interrupt bits are cleared by a read. The DPWMFLTSTAT register shows the status of the faults. These bits are also clear on read bits. [See the reference section](#) for bit mapping of these registers.

If the fault is enabled by the ALL_FAULT_EN bit, and it occurs, the FLT_A, FLT_B, FLT_AB flags will be set. If the appropriate INT_EN bit is set, the DPWM will send an interrupt to the Central Interrupt Module (CIM). If the interrupt for that DPWM is enabled in the CIM, then an interrupt will be given to the processor.

6.9 IDE / DCM Detection Control

In addition to the fault detection and connection described above, there are other registers in the Fault Mux Registers that control other functions. One of these functions is IDE/DCM detection. IDE stands for Ideal Diode Emulation. DCM stands for Discontinuous Mode. They are both controlled by the IDECTRL register in the Fault Mux register set.

Some isolated power topologies simple employ rectification diodes on the secondary side. In Ideal Diode emulation, FETs are used instead of diodes. They are turned on when the diode would be conducting and turned off when the diode would be reverse biased. This increases efficiency because the voltage drop across the FET is lower than the drop across the diode. This is called Synchronous Rectification, so the FETs are called Sync FETs for short.

In continuous mode, current is always flowing, and the sync FET can be turned on for the entire time when the primary side is off, except for dead times. This function is served perfectly by the Normal Mode of the DPWM module. Note that IDE/DCM Detection only works in Normal Mode.

In discontinuous mode, however, current is not flowing continuously, so the sync FET must be turned off before the end of the period to emulate the diode. Otherwise energy can flow back from the secondary to the primary.

In discontinuous mode, the on time(duty) for the sync FET (D_b) is proportional to the DPWMA on-time (D_a). The multiplying factor depends on the topology, the circuit configuration and on V_{in} and V_{out} . This multiplying factor needs to be frequently calculated by firmware and placed in the IDE_KD register.

```
FaultMuxRegs.IDECTRL.bit.IDE_KD = kd_value;
```

IDE must also be enabled in the DPWM module:

```
Dpwm1Regs.DPWMCTRL2.bit.IDE_DUTY_B_EN = 1; //enable ide
```

D_b is calculated by D_a (Filter Duty) times IDE_KD. KD is an unsigned value with 4 integer bits and 9 fractional bits. For example, a 0b0001.000000000 would equate to a multiplier of 1 ("0b" signifies binary, and the "." is used to divide the fractional from the integer part). This would correspond to a hex value of 0x200. For this value of K_d , D_b would be exactly the same as D_a . There is only one IDE_KD register, but each Filter can calculate using the KD. Each Filter's output of the IDE value is controlled by the IDE_EN bit in a DPWM module. The DPWM module is selected by the LoopMux.FILTERMUX.bit.FILTERx_PER_SEL bitfield as shown below:

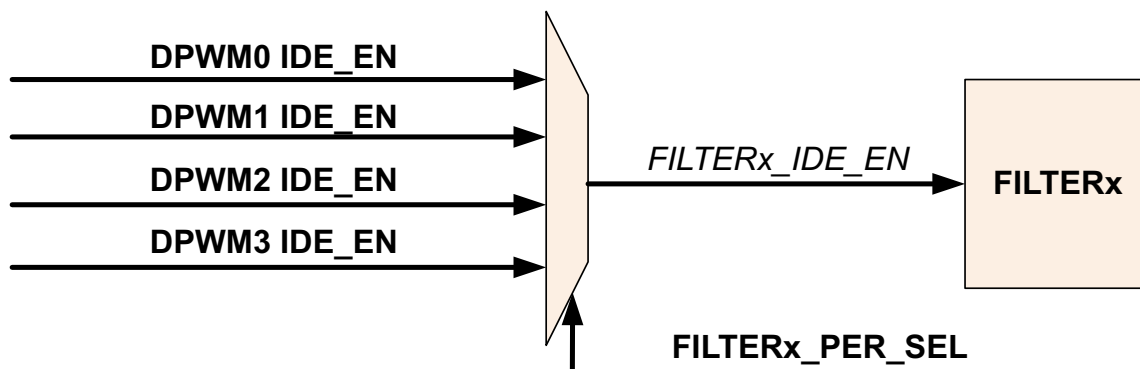


Figure 6-4.

Normally FILTERx_PER_SEL will already be pointing at the right Filter, because it is also used to provide the period for the Filter to use in calculating the duty value.

In some cases, however, for example where KCOMP is used instead of period, it is still necessary to set FILTERx_PER_SEL so that IDE_EN can be multiplexed properly.

Note also that IDE_EN still needs to be set on any DPWM which is using IDE, even though that DPWM may not be providing IDE_EN to the Filter. If IDE_EN is not set, the normal dead times will be used to control DPWMB.

The IDECTRL register also contains a means to detect DCM. As mentioned before, in continuous mode, the sync FET is on for the entire time that DPWMA is off. So $D_b = 1 - D_a$. In discontinuous mode, $D_b < 1 - D_a$. So the DCM detection logic triggers an interrupt when $D_b < 1 - D_a$. Hysteresis is provided to prevent the interrupt from triggering repeatedly when steady state is close to the boundary between continuous and discontinuous. This is done with the DCM_LIMIT_H and DCIM_LIMIT_L registers.

The DCM_DETECT bit is set when:

$$D_b < ((1 - D_a) - DCIM_LIMIT_L) \quad (3)$$

It is reset when:

$$Db > ((1-Da) + DCIM_LIMIT_H) \quad (4)$$

The DCM_DETECT bit can be monitored in the FAULTMUXRAWSTAT register. The status of the interrupt can be read in the FAULTMUXINTSTAT register. The interrupt is enabled by DCM_INT_EN in the IDECTRL register.

6.10 Oscillator Failure Detection

The Fault Mux Module provides the capability to detect failures of the High Frequency and Low Frequency Oscillator blocks. Detection of a High Frequency Oscillator failure can be configured to generate a chip reset. Firmware can configure the Fault Mux Module to generate an interrupt upon detection of a Low Frequency Oscillator Failure.

6.10.1 High Frequency Oscillator Failure Detection

Two counters are used to detect a failure with the High Frequency Oscillator block. One counter is implemented in the High Frequency Oscillator clock domain, while the other counter is implemented in the Low Frequency Oscillator clock domain. The High Frequency Oscillator counter generates a clear signal once the counter reaches a firmware programmable 17-bit threshold. This clear signal clears the free running Low Frequency Oscillator counter. In the case of a High Frequency Oscillator failure, no clear signal is generated and the Low Frequency Oscillator counter will overflow, generating an oscillator fail flag to the SYS module. Based on the SYS module setup, a chip reset may be generated from the oscillator failure.

There are 2 bitfields in the HFO Failure detection register HFOFAILDET.

HFO_FAIL_THRESH – Configures threshold where a clear flag is used to clear a counter in the Low Frequency Oscillator domain (if LFO counter overflows, a reset will be generated), resolution of threshold equals High Frequency Oscillator period

Bit 0: HFO_DETECT_EN – a 1 enables High Frequency Oscillator Failure Detection logic, device will be reset upon detection of an oscillator failure .

here is no interrupt or status bit for HFO failure. This is because if the HFO fails, the processor will not be working.

6.10.2 Low Frequency Oscillator Failure Detection

The Low Frequency Oscillator is used for the watchdog timer, and to test the functionality of the HFO as described above. As with the High Frequency Oscillator Failure detection, two counters are used to detect a failure with the Low Frequency Oscillator block. The counter roles are reversed in the Low Frequency Oscillator failure detection with the Low Frequency Oscillator clock generating a clear signal once the counter reaches a firmware programmable 5-bit threshold. This clear signal clears the free running High Frequency Oscillator counter. In the case of a Low Frequency Oscillator failure, no clear signal is generated and the High Frequency Oscillator counter will overflow. Firmware can detect the Low Frequency Oscillator Failure through the Fault Mux interrupt or through polling the status register in the Fault Mux Registers. There are three bit fields in the LFOFAILDET register:

- **LFO_FAIL_THRESH** – Configures threshold where a clear flag is used to clear a counter in the High Frequency Oscillator domain (if HFO counter overflows, a reset will be generated), resolution of threshold equals Low Frequency Oscillator period
- **LFO_FAIL_INT_EN** – a 1 enables Interrupt Generation upon LFO Failure Detection
- **LFO_DETECT_EN** – a 1 enables the LFO failure detection circuitry.

There are LFO_FAIL bits in the FAULTMUXRAWSTAT and FAULTMUXINTSTAT registers, giving status of the LFO fault detection status and interrupt status.

6.11 Fault Mux Registers Reference

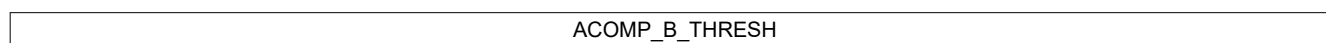
6.11.1 Analog Comparator Control 0 Register (ACOMPCTRL0)

Address 00030000

Figure 6-5. Analog Comparator Control 0 Register (ACOMPCTRL0)

30

24



R/W-000 0000

23	22	21	19	18	17	16
Reserved		ACOMP_B_SEL		ACOMP_B_POL	ACOMP_B_INT_EN	Reserved
R-00		R/W-000		R/W-1	R/W-0	R-00
15	14					8
Reserved		ACOMP_A_THRESH				
R-00		R/W-000 0000				
7	6	5	3	2	1	0
Reserved		ACOMP_A_SEL		ACOMP_A_PO L	ACOMP_A_INT _EN	ACOMP_EN
R-00		R/W-000		R/W-1	R/W-0	R/W-0

LEGEND: R/W = Read/Write; R = Read only; -n = value after reset

Table 6-1. Analog Comparator Control 0 Register (ACOMPCTRL0) Register Field Descriptions

Bit	Field	Type	Reset	Description
30-24	ACOMP_B_THRESH	R/W	000 0000	Configures Analog Comparator B Threshold value 0 = Comparator Reference of 19.53125 mV (Default) 1 = Comparator Reference of 39.0625 mV 127 = Comparator Reference of 2.5 V
23-22	Reserved	R	00	
21-19	ACOMP_B_SEL	R/W	000	Configures Analog Comparator B Threshold 0 = Analog Comparator B Threshold set by ACOMP_B_THRESH (Default) 1 = Analog Comparator B Threshold set by Comparator Ramp 0 2 = Analog Comparator B Threshold set by Filter 0 Output 3 = Analog Comparator B Threshold set by Filter 1 Output 4 = Analog Comparator B Threshold set by Filter 2 Output
18	ACOMP_B_POL	R/W	1	Analog Comparator B Polarity 0 = Comparator result enabled when input falls below threshold 1 = Comparator result enabled when input exceeds threshold (Default)
17	ACOMP_B_INT_EN	R/W	0	Analog Comparator B Interrupt Enable 0 = Disables Analog Comparator B Interrupt generation (Default) 1 = Enables Analog Comparator B Interrupt generation
16-15	Reserved	R	00	
14-8	ACOMP_A_THRESH	R/W	000 0000	Configures Analog Comparator A Threshold 0 = Comparator Reference of 19.53125 mV (Default) 1 = Comparator Reference of 39.0625 mV 127 = Comparator Reference of 2.5 V
7-6	Reserved	R	00	

**Table 6-1. Analog Comparator Control 0 Register (ACOMPCTRL0) Register Field Descriptions
(continued)**

Bit	Field	Type	Reset	Description
5-3	ACOMP_A_SEL	R/W	000	Configures Analog Comparator A Threshold 0 = Analog Comparator A Threshold set by ACOMP_A_THRESH (Default) 1 = Analog Comparator A Threshold set by Comparator Ramp 0 2 = Analog Comparator A Threshold set by Filter 0 Output 3 = Analog Comparator A Threshold set by Filter 1 Output 4 = Analog Comparator A Threshold set by Filter 2 Output
2	ACOMP_A_POL	R/W	1	Analog Comparator A Polarity 0 = Comparator result enabled when input falls below threshold 1 = Comparator result enabled when input exceeds threshold (Default)
1	ACOMP_A_INT_EN	R/W	0	Analog Comparator A Interrupt Enable 0 = Disables Analog Comparator A Interrupt generation (Default) 1 = Enables Analog Comparator A Interrupt generation
0	ACOMP_EN	R/W	0	Analog Comparators Enable 0 = Analog Comparators Disabled (Default) 1 = Analog Comparators Enabled

**Table 6-2. Analog Comparator Control 1 Register (ACOMPCTRL1) Register Field Descriptions
(continued)**

Bit	Field	Type	Reset	Description
16	ACOMP_D_OUT_EN	R/W	0	Analog Comparator D DAC Output Enable 0 = Disables output of Comparator DAC D onto AD pin (Default) 1 = Enables output of Comparator DAC D onto AD pin
15	Reserved	R	0	
14-8	ACOMP_C_THRESH	R/W	000 0000	Configures Analog Comparator C Threshold 0 = Comparator Reference of 19.53125 mV (Default) 1 = Comparator Reference of 39.0625 mV 127 = Comparator Reference of 2.5 V
7-6	Reserved	R	00	
5-3	ACOMP_C_SEL	R/W	000	Configures Analog Comparator C Threshold 0 = Analog Comparator C Threshold set by ACOMP_C_THRESH (Default) 1 = Analog Comparator C Threshold set by Comparator Ramp 0 2 = Analog Comparator C Threshold set by Filter 0 Output 3 = Analog Comparator C Threshold set by Filter 1 Output 4 = Analog Comparator C Threshold set by Filter 2 Output
2	ACOMP_C_POL	R/W	1	Analog Comparator C Polarity 0 = Comparator result enabled when input falls below threshold 1 = Comparator result enabled when input exceeds threshold (Default)
1	ACOMP_C_INT_EN	R/W	0	Analog Comparator C Interrupt Enable 0 = Disables Analog Comparator C Interrupt generation (Default) 1 = Enables Analog Comparator C Interrupt generation
0	Reserved	R	0	

6.11.3 Analog Comparator Control 2 Register (ACOMPCTRL2)

Address 00030008

Figure 6-7. Analog Comparator Control 2 Register (ACOMPCTRL2)

30						24
ACOMP_F_THRESH						
R/W-000 0000						
23	22	21	19	18	17	16
Reserved	ACOMP_F_REF_SEL	ACOMP_F_SEL		ACOMP_F_POL	ACOMP_F_INT_EN	ACOMP_F_OUT_EN
R-0	R/W-0	R/W-000		R/W-1	R/W-0	R/W-0
15	14					8
Reserved						
ACOMP_E_THRESH						
R-0						
R/W-000 0000						
7	6	5	3	2	1	0
Reserved		ACOMP_E_SEL		ACOMP_E_POL	ACOMP_E_INT_EN	ACOMP_E_OUT_EN
R-00		R/W-000		R/W-1	R/W-0	R/W-0

LEGEND: R/W = Read/Write; R = Read only; -n = value after reset

Table 6-3. Analog Comparator Control 2 Register (ACOMPCTRL2) Register Field Descriptions

Bit	Field	Type	Reset	Description
30-24	ACOMP_F_THRESH	R/W	000 0000	Configures Analog Comparator F Threshold 0 = Comparator Reference of 19.53125 mV (Default) 1 = Comparator Reference of 39.0625 mV 127 = Comparator Reference of 2.5 V
23	Reserved	R	0	
22	ACOMP_F_REF_SEL	R/W	0	Analog Comparator F Reference Select 0 = Selects internal DAC reference (Default) 1 = Selects reference driven from AD-07 pin
21-19	ACOMP_F_SEL	R/W	000	Configures Analog Comparator F Threshold 0 = Analog Comparator F Threshold set by ACOMP_F_THRESH (Default) 1 = Analog Comparator F Threshold set by Comparator Ramp 0 2 = Analog Comparator F Threshold set by Filter 0 Output 3 = Analog Comparator F Threshold set by Filter 1 Output 4 = Analog Comparator F Threshold set by Filter 2 Output
18	ACOMP_F_POL	R/W	1	Analog Comparator F Polarity 0 = Comparator result enabled when input falls below threshold 1 = Comparator result enabled when input exceeds threshold (Default)

**Table 6-3. Analog Comparator Control 2 Register (ACOMPCTRL2) Register Field Descriptions
(continued)**

Bit	Field	Type	Reset	Description
17	ACOMP_F_INT_EN	R/W	0	Analog Comparator F Interrupt Enable 0 = Disables Analog Comparator F Interrupt generation (Default) 1 = Enables Analog Comparator F Interrupt generation
16	ACOMP_F_OUT_EN	R/W	0	Analog Comparator F DAC Output Enable 0 = Disables output of Comparator DAC F onto AD pin (Default) 1 = Enables output of Comparator DAC F onto AD pin
15	Reserved	R	0	
14-8	ACOMP_E_THRESH	R/W	000 0000	Configures Analog Comparator E Threshold 0 = Comparator Reference of 19.53125 mV (Default) 1 = Comparator Reference of 39.0625 mV 127 = Comparator Reference of 2.5 V
7-6	Reserved	R	00	
5-3	ACOMP_E_SEL	R/W	000	Configures Analog Comparator E Threshold 0 = Analog Comparator E Threshold set by ACOMP_E_THRESH (Default) 1 = Analog Comparator E Threshold set by Comparator Ramp 0 2 = Analog Comparator E Threshold set by Filter 0 Output 3 = Analog Comparator E Threshold set by Filter 1 Output 4 = Analog Comparator E Threshold set by Filter 2 Output
2	ACOMP_E_POL	R/W	1	Analog Comparator E Polarity 0 = Comparator result enabled when input falls below threshold 1 = Comparator result enabled when input exceeds threshold (Default)
1	ACOMP_E_INT_EN	R/W	0	Analog Comparator E Interrupt Enable 0 = Disables Analog Comparator E Interrupt generation (Default) 1 = Enables Analog Comparator E Interrupt generation
0	ACOMP_E_OUT_EN	R/W	0	Analog Comparator E DAC Output Enable 0 = Disables output of Comparator DAC E onto AD pin (Default) 1 = Enables output of Comparator DAC E onto AD pin

6.11.5 External Fault Control Register (EXTFAULTCTRL)

Address 00030010

Figure 6-9. External Fault Control Register (EXTFAULTCTRL)

11		10		9		8	
FAULT3_POL		FAULT2_POL		FAULT1_POL		FAULT0_POL	
R/W-1		R/W-1		R/W-1		R/W-1	
7	6	5	4	3	2	1	0
FAULT3_INT_EN	FAULT2_INT_EN	FAULT1_INT_EN	FAULT0_INT_EN	FAULT3_DET_EN	FAULT2_DET_EN	FAULT1_DET_EN	FAULT0_DET_EN
R/W-0	R/W-0	R/W-0	R/W-0	R/W-0	R/W-0	R/W-0	R/W-0

LEGEND: R/W = Read/Write; R = Read only; -n = value after reset

Table 6-5. External Fault Control Register (EXTFAULTCTRL) Register Field Descriptions

Bit	Field	Type	Reset	Description
11	FAULT3_POL	R/W	1	Polarity configuration for FAULT[3] pin 0 = Fault detection enabled on falling edge 1 = Fault detection enabled on rising edge (Default)
10	FAULT2_POL	R/W	1	Polarity configuration for FAULT[2] pin 0 = Fault detection enabled on falling edge 1 = Fault detection enabled on rising edge (Default)
9	FAULT1_POL	R/W	1	Polarity configuration for FAULT[1] pin 0 = Fault detection enabled on falling edge 1 = Fault detection enabled on rising edge (Default)
8	FAULT0_POL	R/W	1	Polarity configuration for FAULT[0] pin 0 = Fault detection enabled on falling edge 1 = Fault detection enabled on rising edge (Default)
7	FAULT3_INT_EN	R/W	0	FAULT[3] Pin Interrupt Enable 0 = Disables Fault Detection Interrupt generation (Default) 1 = Enables Fault Detection Interrupt generation
6	FAULT2_INT_EN	R/W	0	FAULT[2] Pin Interrupt Enable 0 = Disables Fault Detection Interrupt generation (Default) 1 = Enables Fault Detection Interrupt generation
5	FAULT1_INT_EN	R/W	0	FAULT[1] Pin Interrupt Enable 0 = Disables Fault Detection Interrupt generation (Default) 1 = Enables Fault Detection Interrupt generation
4	FAULT0_INT_EN	R/W	0	FAULT[0] Pin Interrupt Enable 0 = Disables Fault Detection Interrupt generation (Default) 1 = Enables Fault Detection Interrupt generation
3	FAULT3_DET_EN	R/W	0	FAULT[3] Pin Detection Enable 0 = Fault Detection Disabled (Default) 1 = Fault Detection Enabled
2	FAULT2_DET_EN	R/W	0	FAULT[2] Pin Detection Enable 0 = Fault Detection Disabled (Default) 1 = Fault Detection Enabled

Table 6-5. External Fault Control Register (EXTFAULTCTRL) Register Field Descriptions (continued)

Bit	Field	Type	Reset	Description
1	FAULT1_DET_EN	R/W	0	FAULT[1] Pin Detection Enable 0 = Fault Detection Disabled (Default) 1 = Fault Detection Enabled
0	FAULT0_DET_EN	R/W	0	FAULT[0] Pin Detection Enable 0 = Fault Detection Disabled (Default) 1 = Fault Detection Enabled

6.11.6 Fault Mux Interrupt Status Register (FAULTMUXINTSTAT)

Address 00030014

Figure 6-10. Fault Mux Interrupt Status Register (FAULTMUXINTSTAT)

16	15	14	13	12	11	10	9	8
DCOMP3	DCOMP2	DCOMP1	DCOMP0	LFO_FAIL	FAULT3	FAULT2	FAULT1	FAULT0
R-0	R-0	R-0	R-0	R-0	R-0	R-0	R-0	R-0
7	6	5	4	3	2	1	0	
DCM_DETECT	ACOMP_G	ACOMP_F	ACOMP_E	ACOMP_D	ACOMP_C	ACOMP_B	ACOMP_A	
R-0	R-0	R-0	R-0	R-0	R-0	R-0	R-0	R-0

LEGEND: R/W = Read/Write; R = Read only; -n = value after reset

XTAL_FAIL	DCOMP3	DCOMP2	DCOMP1	DCOMP0	LFO_FAIL	FAULT3	FAULT2	FAULT1	FAULT0
R-0	R-0	R-0	R-0	R-0	R-0	R-0	R-0	R-0	R-0
7	6	5	4	3	2	1	0		
DCM_DETECT	ACOMP_G	ACOMP_F	ACOMP_E	ACOMP_D	ACOMP_C	ACOMP_B	ACOMP_A		
R-0	R-0	R-0	R-0	R-0	R-0	R-0	R-0	R-0	R-0

LEGEND: R/W = Read/Write; R = Read only; -n = value after reset

Table 6-6. Fault Mux Interrupt Status Register (FAULTMUXINTSTAT) Register Field Descriptions

Bit	Field	Type	Reset	Description
16	DCOMP3	R	0	Digital Comparator 3 Interrupt Status, cleared by read of status register 0 = Comparator threshold interrupt inactive 1 = Comparator threshold interrupt active
15	DCOMP2	R	0	Digital Comparator 2 Interrupt Status, cleared by read of status register 0 = Comparator threshold interrupt inactive 1 = Comparator threshold interrupt active
14	DCOMP1	R	0	Digital Comparator 1 Interrupt Status, cleared by read of status register 0 = Comparator threshold interrupt inactive 1 = Comparator threshold interrupt active
13	DCOMP0	R	0	Digital Comparator 0 Interrupt Status, cleared by read of status register 0 = Comparator threshold interrupt inactive 1 = Comparator threshold interrupt active
12	LFO_FAIL	R	0	Low Frequency Oscillator Failure Interrupt Status, cleared by read of status register 0 = Low Frequency Oscillator operational 1 = Low Frequency Oscillator failure detected
11	FAULT3	R	0	External FAULT[3] Interrupt Detection 0 = No External GPIO detection found 1 = External GPIO detection found
10	FAULT2	R	0	External FAULT[2] Interrupt Detection 0 = No External GPIO detection found 1 = External GPIO detection found

**Table 6-6. Fault Mux Interrupt Status Register (FAULTMUXINTSTAT) Register Field Descriptions
(continued)**

Bit	Field	Type	Reset	Description
9	FAULT1	R	0	External FAULT[1] Interrupt Detection 0 = No External GPIO detection found 1 = External GPIO detection found
8	FAULT0	R	0	External FAULT[0] Interrupt Detection 0 = No External GPIO detection found 1 = External GPIO detection found
7	DCM_DETECT	R	0	Discontinuous Conduction Mode Interrupt Status, cleared by read of status register 0 = Discontinuous Conduction Mode detected 1 = Discontinuous Conduction Mode not detected
6	ACOMP_G	R	0	Analog Comparator G Interrupt Status, cleared by read of status register 0 = Comparator threshold interrupt inactive 1 = Comparator threshold interrupt active
5	ACOMP_F	R	0	Analog Comparator F Interrupt Status, cleared by read of status register 0 = Comparator threshold interrupt inactive 1 = Comparator threshold interrupt active
4	ACOMP_E	R	0	Analog Comparator E Interrupt Status, cleared by read of status register 0 = Comparator threshold interrupt inactive 1 = Comparator threshold interrupt active
3	ACOMP_D	R	0	Analog Comparator D Interrupt Status, cleared by read of status register 0 = Comparator threshold interrupt inactive 1 = Comparator threshold interrupt active
2	ACOMP_C	R	0	Analog Comparator C Interrupt Status, cleared by read of status register 0 = Comparator threshold interrupt inactive 1 = Comparator threshold interrupt active
1	ACOMP_B	R	0	Analog Comparator B Interrupt Status, cleared by read of status register 0 = Comparator threshold interrupt inactive 1 = Comparator threshold interrupt active
0	ACOMP_A	R	0	Analog Comparator A Interrupt Status, cleared by read of status register 0 = Comparator threshold interrupt inactive 1 = Comparator threshold interrupt active

6.11.7 Fault Mux Raw Status Register (FAULTMUXRAWSTAT)

Address 00030018

Figure 6-11. Fault Mux Raw Status Register (FAULTMUXRAWSTAT)

16	15	14	13	12	11	10	9	8
DCOMP3	DCOMP2	DCOMP1	DCOMP0	LFO_FAIL	FAULT3	FAULT2	FAULT1	FAULT0
R-0	R-0	R-0	R-0	R-0	R-0	R-0	R-0	R-0
7	6	5	4	3	2	1	0	
DCM_DETECT	ACOMP_G	ACOMP_F	ACOMP_E	ACOMP_D	ACOMP_C	ACOMP_B	ACOMP_A	
R-0	R-0	R-0	R-0	R-0	R-0	R-0	R-0	R-0

LEGEND: R/W = Read/Write; R = Read only; -n = value after reset

XTAL_FAIL	DCOMP3	DCOMP2	DCOMP1	DCOMP0	LFO_FAIL	FAULT3	FAULT2	FAULT1	FAULT0
R-0	R-0	R-0	R-0	R-0	R-0	R-0	R-0	R-0	R-0
7	6	5	4	3	2	1	0		
DCM_DETECT	ACOMP_G	ACOMP_F	ACOMP_E	ACOMP_D	ACOMP_C	ACOMP_B	ACOMP_A		
R-0	R-0	R-0	R-0	R-0	R-0	R-0	R-0	R-0	R-0

LEGEND: R/W = Read/Write; R = Read only; -n = value after reset

Table 6-7. Fault Mux Raw Status Register (FAULTMUXRAWSTAT) Register Field Descriptions

Bit	Field	Type	Reset	Description
16	DCOMP3	R	0	Digital Comparator 3 Raw Status 0 = Comparator threshold not exceeded 1 = Comparator threshold exceeded
15	DCOMP2	R	0	Digital Comparator 2 Raw Status 0 = Comparator threshold not exceeded 1 = Comparator threshold exceeded
14	DCOMP1	R	0	Digital Comparator 1 Raw Status 0 = Comparator threshold not exceeded 1 = Comparator threshold exceeded
13	DCOMP0	R	0	Digital Comparator 0 Raw Status 0 = Comparator threshold not exceeded 1 = Comparator threshold exceeded
12	LFO_FAIL	R	0	Low Frequency Oscillator Failure Raw Status 0 = Low Frequency Oscillator operational 1 = Low Frequency Oscillator failure detected
11	FAULT3	R	0	External Fault Detection on FAULT[3] pin 0 = No External FAULT[3] detection found 1 = External GPIO detection found
10	FAULT2	R	0	External Fault Detection on FAULT[2] pin 0 = No External FAULT[2] detection found 1 = External GPIO detection found

Table 6-7. Fault Mux Raw Status Register (FAULTMUXRAWSTAT) Register Field Descriptions (continued)

Bit	Field	Type	Reset	Description
9	FAULT1	R	0	External Fault Detection on FAULT[1] pin 0 = No External FAULT[1] detection found 1 = External GPIO detection found
8	FAULT0	R	0	External Fault Detection on FAULT[0] pin 0 = No External FAULT[0] detection found 1 = External GPIO detection found
7	DCM_DETECT	R	0	Discontinuous Conduction Mode Raw Status 0 = Discontinuous Conduction Mode detected 1 = Discontinuous Conduction Mode not detected
6	ACOMP_G	R	0	Analog Comparator G Raw Result 0 = Comparator threshold not exceeded 1 = Comparator threshold exceeded
5	ACOMP_F	R	0	Analog Comparator F Raw Result 0 = Comparator threshold not exceeded 1 = Comparator threshold exceeded
4	ACOMP_E	R	0	Analog Comparator E Raw Result 0 = Comparator threshold not exceeded 1 = Comparator threshold exceeded
3	ACOMP_D	R	0	Analog Comparator D Raw Result 0 = Comparator threshold not exceeded 1 = Comparator threshold exceeded
2	ACOMP_C	R	0	Analog Comparator C Raw Result 0 = Comparator threshold not exceeded 1 = Comparator threshold exceeded
1	ACOMP_B	R	0	Analog Comparator B Raw Result 0 = Comparator threshold not exceeded 1 = Comparator threshold exceeded
0	ACOMP_A	R	0	Analog Comparator A Raw Result 0 = Comparator threshold not exceeded 1 = Comparator threshold exceeded

Table 6-8. Comparator Ramp Control 0 Register (COMPRAMP0) Register Field Descriptions (continued)

Bit	Field	Type	Reset	Description
4	DPWM3_TRIG_EN	R/W	0	Enables DPWM Trigger from DPWM 3 to Analog Comparator Ramp 0 0 = DPWM 3 trigger not routed to Analog Comparator Ramp 0 (Default) 1 = DPWM 3 trigger routed to Analog Comparator Ramp 0
3	DPWM2_TRIG_EN	R/W	0	Enables DPWM Trigger from DPWM 2 to Analog Comparator Ramp 0 0 = DPWM 2 trigger not routed to Analog Comparator Ramp 0 (Default) 1 = DPWM 2 trigger routed to Analog Comparator Ramp 0
2	DPWM1_TRIG_EN	R/W	0	Enables DPWM Trigger from DPWM 1 to Analog Comparator Ramp 0 0 = DPWM 1 trigger not routed to Analog Comparator Ramp 0 (Default) 1 = DPWM 1 trigger routed to Analog Comparator Ramp 0
1	DPWM0_TRIG_EN	R/W	0	Enables DPWM Trigger from DPWM 0 to Analog Comparator Ramp 0 0 = DPWM 0 trigger not routed to Analog Comparator Ramp 0 (Default) 1 = DPWM 0 trigger routed to Analog Comparator Ramp 0
0	RAMP_EN	R/W	0	Enable for Analog Comparator Ramp 0 0 = Analog Comparator Ramp disabled (Default) 1 = Analog Comparator Ramp enabled

6.11.9 Digital Comparator Control 0 Register (DCOMPCTRL0)

Address 00030020

Figure 6-13. Digital Comparator Control 0 Register (DCOMPCTRL0)

31	24	23	19	18	17	16	
CNT_THRESH				Reserved		COMP_POL	FE_SEL
R/W-0000 0000				R-0000 0		R/W-0	R/W-000
15	14	13	12	11	10	0	
FE_SEL	CNT_CLR	CNT_CONFIG	INT_EN	COMP_EN	THRESH		
R/W-000	R/W-0	R/W-0	R/W-0	R/W-0	R/W-000 0000 0000		

LEGEND: R/W = Read/Write; R = Read only; -n = value after reset

Table 6-9. Digital Comparator Control 0 Register (DCOMPCTRL0) Register Field Descriptions

Bit	Field	Type	Reset	Description
31-24	CNT_THRESH	R/W	0000 0000	Sets the number of received comparator events before declaring a fault
23-19	Reserved	R	0000 0	
18	COMP_POL	R/W	0	Digital Comparator 0 Polarity 0 = Digital Comparator result asserted if value below threshold (Default) 1 = Digital Comparator result asserted if value above threshold
17-15	FE_SEL	R/W	000	Selects which Front End absolute data is used for Digital Comparison with threshold 0 = Front End 0 absolute data selected (Default) 1 = Front End 1 absolute data selected 2 = Front End 2 absolute data selected 3 = Front End 0 error data selected 4 = Front End 1 error data selected 5 = Front End 2 error data selected
14	CNT_CLR	R/W	0	Comparator Detection Counter clear 0 = No clear of Comparator Detection Counter (Default) 1 = Clear Comparator Detection counter and associated fault
13	CNT_CONFIG	R/W	0	Comparator Detection Counter configuration 0 = Counter clears upon receipt of sample which does not exceed comparator threshold (Default) 1 = Counter decrements by 1 upon receipt of sample which does not exceed comparator threshold
12	INT_EN	R/W	0	Comparator Interrupt Enable 0 = Disables Comparator Interrupt generation (Default) 1 = Enables Comparator Interrupt generation
11	COMP_EN	R/W	0	Digital Comparator 0 Enable 0 = Disables Digital Comparator 0 (Default) 1 = Enables Digital Comparator 0
10-0	THRESH	R/W	000 0000 0000	Sets the digital comparator threshold, 11-bit signed value with resolution of 1.5625mV/bit

6.11.10 Digital Comparator Control 1 Register (DCOMPCTRL1)

Address 00030024

Figure 6-14. Digital Comparator Control 1 Register (DCOMPCTRL1)

31	24	23	19	18	17	16	
CNT_THRESH				Reserved		COMP_POL	FE_SEL
R/W-0000 0000				R-0000 0		R/W-0	R/W-000
15	14	13	12	11	10	0	
FE_SEL	CNT_CLR	CNT_CONFIG	INT_EN	COMP_EN	THRESH		
R/ W-000	R/W-0	R/W-0	R/W-0	R/W-0	R/W-000 0000 0000		

LEGEND: R/W = Read/Write; R = Read only; -n = value after reset

Table 6-10. Digital Comparator Control 1 Register (DCOMPCTRL1) Register Field Descriptions

Bit	Field	Type	Reset	Description
31-24	CNT_THRESH	R/W	0000 0000	Sets the number of received comparator events before declaring a fault
23-19	Reserved	R	0000 0	
18	COMP_POL	R/W	0	Digital Comparator 0 Polarity 0 = Digital Comparator result asserted if value below threshold (Default) 1 = Digital Comparator result asserted if value above threshold
17-15	FE_SEL	R/W	000	Selects which Front End absolute data is used for Digital Comparison with threshold 0 = Front End 0 absolute data selected (Default) 1 = Front End 1 absolute data selected 2 = Front End 2 absolute data selected 3 = Front End 0 error data selected 4 = Front End 1 error data selected 5 = Front End 2 error data selected
14	CNT_CLR	R/W	0	Comparator Detection Counter clear 0 = No clear of Comparator Detection Counter (Default) 1 = Clear Comparator Detection counter and associated fault
13	CNT_CONFIG	R/W	0	Comparator Detection Counter configuration 0 = Counter clears upon receipt of sample which does not exceed comparator threshold (Default) 1 = Counter decrements by 1 upon receipt of sample which does not exceed comparator threshold
12	INT_EN	R/W	0	Comparator Interrupt Enable 0 = Disables Comparator Interrupt generation (Default) 1 = Enables Comparator Interrupt generation
11	COMP_EN	R/W	0	Digital Comparator 0 Enable 0 = Disables Digital Comparator 0 (Default) 1 = Enables Digital Comparator 0
10-0	THRESH	R/W	000 0000 0000	Sets the digital comparator threshold, 11-bit signed value with resolution of 1.5625mV/bit

6.11.11 Digital Comparator Control 2 Register (DCOMPCTRL2)

Address 00030028

Figure 6-15. Digital Comparator Control 2 Register (DCOMPCTRL2)

31	24	23	19	18	17	16	
CNT_THRESH				Reserved		COMP_POL	FE_SEL
R/W-0000 0000				R-0000 0		R/W-0	R/W-000
15	14	13	12	11	10		0
FE_SEL	CNT_CLR	CNT_CONFIG	INT_EN	COMP_EN	THRESH		
R/W-000	R/W-0	R/W-0	R/W-0	R/W-0	R/W-000 0000 0000		

LEGEND: R/W = Read/Write; R = Read only; -n = value after reset

Table 6-11. Digital Comparator Control 2 Register (DCOMPCTRL2) Register Field Descriptions

Bit	Field	Type	Reset	Description
31-24	CNT_THRESH	R/W	0000 0000	Sets the number of received comparator events before declaring a fault
23-19	Reserved	R	0000 0	
18	COMP_POL	R/W	0	Digital Comparator 0 Polarity 0 = Digital Comparator result asserted if value below threshold (Default) 1 = Digital Comparator result asserted if value above threshold
17-15	FE_SEL	R/W	000	Selects which Front End absolute data is used for Digital Comparison with threshold 0 = Front End 0 absolute data selected (Default) 1 = Front End 1 absolute data selected 2 = Front End 2 absolute data selected 3 = Front End 0 error data selected 4 = Front End 1 error data selected 5 = Front End 2 error data selected
14	CNT_CLR	R/W	0	Comparator Detection Counter clear 0 = No clear of Comparator Detection Counter (Default) 1 = Clear Comparator Detection counter and associated fault
13	CNT_CONFIG	R/W	0	Comparator Detection Counter configuration 0 = Counter clears upon receipt of sample which does not exceed comparator threshold (Default) 1 = Counter decrements by 1 upon receipt of sample which does not exceed comparator threshold
12	INT_EN	R/W	0	Comparator Interrupt Enable 0 = Disables Comparator Interrupt generation (Default) 1 = Enables Comparator Interrupt generation
11	COMP_EN	R/W	0	Digital Comparator 0 Enable 0 = Disables Digital Comparator 0 (Default) 1 = Enables Digital Comparator 0
10-0	THRESH	R/W	000 0000 0000	Sets the digital comparator threshold, 11-bit signed value with resolution of 1.5625mV/bit

6.11.12 Digital Comparator Control 3 Register (DCOMPCTRL3)

Address 0003002C

Figure 6-16. Digital Comparator Control 3 Register (DCOMPCTRL3)

31	24	23	19	18	17	16	
CNT_THRESH				Reserved		COMP_POL	FE_SEL
R/W-000 0000				R-0000 0		R/W-0	R/W-000
15	14	13	12	11	10	0	
FE_SEL	CNT_CLR	CNT_CONFIG	INT_EN	COMP_EN	THRESH		
R/ W-000	R/W-0	R/W-0	R/W-0	R/W-0	R/W-000 0000 0000		

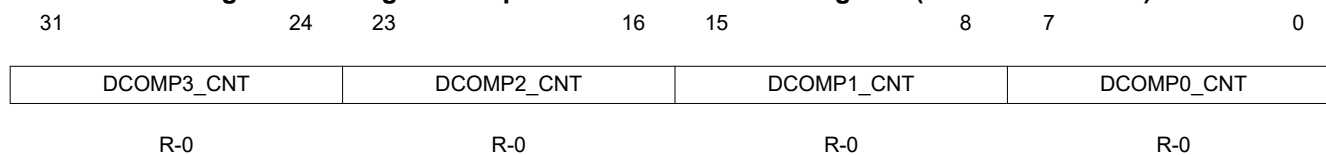
LEGEND: R/W = Read/Write; R = Read only; -n = value after reset

Table 6-12. Digital Comparator Control 3 Register (DCOMPCTRL3) Register Field Descriptions

Bit	Field	Type	Reset	Description
31-24	CNT_THRESH	R/W	0000 0000	Sets the number of received comparator events before declaring a fault
23-19	Reserved	R	0000 0	
18	COMP_POL	R/W	0	Digital Comparator 1 Polarity 0 = Digital Comparator result asserted if value below threshold (Default) 1 = Digital Comparator result asserted if value above threshold
17-15	FE_SEL	R/W	000	Selects which Front End absolute data is used for Digital Comparison with threshold 0 = Front End 0 absolute data selected (Default) 1 = Front End 1 absolute data selected 2 = Front End 2 absolute data selected 3 = Front End 0 error data selected 4 = Front End 1 error data selected 5 = Front End 2 error data selected
14	CNT_CLR	R/W	0	Comparator Detection Counter clear 0 = No clear of Comparator Detection Counter (Default) 1 = Clear Comparator Detection counter and associated fault
13	CNT_CONFIG	R/W	0	Comparator Detection Counter configuration 0 = Counter clears upon receipt of sample which does not exceed comparator threshold (Default) 1 = Counter decrements by 1 upon receipt of sample which does not exceed comparator threshold
12	INT_EN	R/W	0	Comparator Interrupt Enable 0 = Disables Comparator Interrupt generation (Default) 1 = Enables Comparator Interrupt generation
11	COMP_EN	R/W	0	Digital Comparator 3 Enable 0 = Disables Digital Comparator 3 (Default) 1 = Enables Digital Comparator 3
10-0	THRESH	R/W	000 0000 0000	Sets the digital comparator threshold, 11-bit signed value with resolution of 1.5625mV/bit

6.11.13 Digital Comparator Counter Status Register (DCOMPNTSTAT)

Address 00030030

Figure 6-17. Digital Comparator Counter Status Register (DCOMPNTSTAT)


LEGEND: R/W = Read/Write; R = Read only; -n = value after reset

Table 6-13. Digital Comparator Counter Status Register (DCOMPNTSTAT) Register Field Descriptions

Bit	Field	Type	Reset	Description
31-24	DCOMP3_CNT	R	0	Current value of Digital Comparator 3 detection counter
23-16	DCOMP2_CNT	R	0	Current value of Digital Comparator 2 detection counter
15-8	DCOMP1_CNT	R	0	Current value of Digital Comparator 1 detection counter
7-0	DCOMP0_CNT	R	0	Current value of Digital Comparator 0 detection counter

6.11.14 DPWM 0 Current Limit Control Register (DPWM0CLIM)

Address 00030034

Figure 6-18. DPWM 0 Current Limit Control Register (DPWM0CLIM)

16	15	14	13	12	11	10	9	8
ANALOG_PCM_EN	DCOMP3_EN	DCOMP2_EN	DCOMP1_EN	DCOMP0_EN	Reserved	FAULT3_EN	FAULT2_EN	FAULT1_EN
R/W-0	R/W-0	R/W-0	R/W-0	R/W-0	R-0	R/W-0	R/W-0	R/W-0
7	6	5	4	3	2	1	0	
FAULT0_EN	ACOMP_G_EN	ACOMP_F_EN	ACOMP_E_EN	ACOMP_D_EN	ACOMP_C_EN	ACOMP_B_EN	ACOMP_A_EN	
R/W-0	R/W-0	R/W-0	R/W-0	R/W-0	R/W-0	R/W-0	R/W-0	

LEGEND: R/W = Read/Write; R = Read only; -n = value after reset

ANALOG_PCM_EN	DCOMP3_EN	DCOMP2_EN	DCOMP1_EN	DCOMP0_EN	FAULT3_EN	FAULT2_EN	FAULT1_EN
R/W-0	R/W-0	R/W-0	R/W-0	R/W-0	R/W-0	R/W-0	R/W-0
7	6	5	4	3	2	1	0
FAULT0_EN	ACOMP_G_EN	ACOMP_F_EN	ACOMP_E_EN	ACOMP_D_EN	ACOMP_C_EN	ACOMP_B_EN	ACOMP_A_EN
R/W-0	R/W-0	R/W-0	R/W-0	R/W-0	R/W-0	R/W-0	R/W-0

LEGEND: R/W = Read/Write; R = Read only; -n = value after reset

Table 6-14. DPWM 0 Current Limit Control Register (DPWM0CLIM) Register Field Descriptions

Bit	Field	Type	Reset	Description
16	ANALOG_PCM_EN	R/W	0	Enables Analog Peak Current detection result for DPWM 0 Current Limit 0 = Analog Peak Current detection disabled for current limit (Default) 1 = Analog Peak Current detection enabled for current limit
15	DCOMP3_EN	R/W	0	Enables Digital Comparator 3 result for DPWM 0 Current Limit 0 = Digital Comparator 3 result disabled for current limit (Default) 1 = Digital Comparator 3 result enabled for current limit
14	DCOMP2_EN	R/W	0	Enables Digital Comparator 2 result for DPWM 0 Current Limit 0 = Digital Comparator 2 result disabled for current limit (Default) 1 = Digital Comparator 2 result enabled for current limit
13	DCOMP1_EN	R/W	0	Enables Digital Comparator 1 result for DPWM 0 Current Limit 0 = Digital Comparator 1 result disabled for current limit (Default) 1 = Digital Comparator 1 result enabled for current limit
12	DCOMP0_EN	R/W	0	Enables Digital Comparator 0 result for DPWM 0 Current Limit 0 = Digital Comparator 0 result disabled for current limit (Default) 1 = Digital Comparator 0 result enabled for current limit
11	Reserved	R	0	
10	FAULT3_EN	R/W	0	Enables FAULT[3] pin for DPWM 0 Current Limit 0 = External Fault pin disabled for current limit (Default) 1 = External Fault pin enabled for current limit

**Table 6-14. DPWM 0 Current Limit Control Register (DPWM0CLIM) Register Field Descriptions
(continued)**

Bit	Field	Type	Reset	Description
9	FAULT2_EN	R/W	0	Enables FAULT[2] pin for DPWM 0 Current Limit 0 = External Fault pin disabled for current limit (Default) 1 = External Fault pin enabled for current limit
8	FAULT1_EN	R/W	0	Enables FAULT[1] pin for DPWM 0 Current Limit 0 = External Fault pin disabled for current limit (Default) 1 = External Fault pin enabled for current limit
7	FAULT0_EN	R/W	0	Enables FAULT[0] pin for DPWM 0 Current Limit 0 = External Fault pin disabled for current limit (Default) 1 = External Fault pin enabled for current limit
6	ACOMP_G_EN	R/W	0	Enables Analog Comparator G result for DPWM 0 Current Limit 0 = Analog Comparator result disabled for current limit (Default) 1 = Analog Comparator result enabled for current limit
5	ACOMP_F_EN	R/W	0	Enables Analog Comparator F result for DPWM 0 Current Limit 0 = Analog Comparator result disabled for current limit (Default) 1 = Analog Comparator result enabled for current limit
4	ACOMP_E_EN	R/W	0	Enables Analog Comparator E result for DPWM 0 Current Limit 0 = Analog Comparator result disabled for current limit (Default) 1 = Analog Comparator result enabled for current limit
3	ACOMP_D_EN	R/W	0	Enables Analog Comparator D result for DPWM 0 Current Limit 0 = Analog Comparator result disabled for current limit (Default) 1 = Analog Comparator result enabled for current limit
2	ACOMP_C_EN	R/W	0	Enables Analog Comparator C result for DPWM 0 Current Limit 0 = Analog Comparator result disabled for current limit (Default) 1 = Analog Comparator result enabled for current limit
1	ACOMP_B_EN	R/W	0	Enables Analog Comparator B result for DPWM 0 Current Limit 0 = Analog Comparator result disabled for current limit (Default) 1 = Analog Comparator result enabled for current limit
0	ACOMP_A_EN	R/W	0	Enables Analog Comparator A result for DPWM 0 Current Limit 0 = Analog Comparator result disabled for current limit (Default) 1 = Analog Comparator result enabled for current limit

6.11.15 DPWM 0 Fault AB Detection Register (DPWM0FLTABDET)

Address 00030038

Figure 6-19. DPWM 0 Fault AB Detection Register (DPWM0FLTABDET)

14	13	12	11	10	9	8	
DCOMP3_EN	DCOMP2_EN	DCOMP1_EN	DCOMP0_EN	FAULT3_EN	FAULT2_EN	FAULT1_EN	
R/W-0	R/W-0	R/W-0	R/W-0	R/W-0	R/W-0	R/W-0	
7	6	5	4	3	2	1	0
FAULT0_EN	ACOMP_G_EN	ACOMP_F_EN	ACOMP_E_EN	ACOMP_D_EN	ACOMP_C_EN	ACOMP_B_EN	ACOMP_A_EN
R/W-0	R/W-0	R/W-0	R/W-0	R/W-0	R/W-0	R/W-0	R/W-0

LEGEND: R/W = Read/Write; R = Read only; -n = value after reset

Table 6-15. DPWM 0 Fault AB Detection Register (DPWM0FLTABDET) Register Field Descriptions

Bit	Field	Type	Reset	Description
14	DCOMP3_EN	R/W	0	
13	DCOMP2_EN	R/W	0	
12	DCOMP1_EN	R/W	0	
11	DCOMP0_EN	R/W	0	
10	FAULT3_EN	R/W	0	
9	FAULT2_EN	R/W	0	
8	FAULT1_EN	R/W	0	
7	FAULT0_EN	R/W	0	
6	ACOMP_G_EN	R/W	0	
5	ACOMP_F_EN	R/W	0	
4	ACOMP_E_EN	R/W	0	
3	ACOMP_D_EN	R/W	0	
2	ACOMP_C_EN	R/W	0	
1	ACOMP_B_EN	R/W	0	
0	ACOMP_A_EN	R/W	0	

6.11.16 DPWM 0 Fault Detection Register (DPWM0FAULTDET)

Address 0003003C

Figure 6-20. DPWM 0 Fault Detection Register (DPWM0FAULTDET)

30	29	28	27	26	25	24	
PWMB_DCOMP3_EN	PWMB_DCOMP2_EN	PWMB_DCOMP1_EN	PWMB_DCOMP0_EN	PWMB_FAULT3_EN	PWMB_FAULT2_EN	PWMB_FAULT1_EN	
R/W-0	R/W-0	R/W-0	R/W-0	R/W-0	R/W-0	R/W-0	
23	22	21	20	19	18	17	16
PWMB_FAULT0_EN	PWMB_ACOMP_G_EN	PWMB_ACOMP_F_EN	PWMB_ACOMP_E_EN	PWMB_ACOMP_D_EN	PWMB_ACOMP_C_EN	PWMB_ACOMP_B_EN	PWMB_ACOMP_A_EN
R/W-0	R/W-0	R/W-0	R/W-0	R/W-0	R/W-0	R/W-0	R/W-0
15	14	13	12	11	10	9	8
Reserved	PWMA_DCOMP3_EN	PWMA_DCOMP2_EN	PWMA_DCOMP1_EN	PWMA_DCOMP0_EN	PWMA_FAULT3_EN	PWMA_FAULT2_EN	PWMA_FAULT1_EN
R-0	R/W-0	R/W-0	R/W-0	R/W-0	R/W-0	R/W-0	R/W-0
7	6	5	4	3	2	1	0
PWMA_FAULT0_EN	PWMA_ACOMP_G_EN	PWMA_ACOMP_F_EN	PWMA_ACOMP_E_EN	PWMA_ACOMP_D_EN	PWMA_ACOMP_C_EN	PWMA_ACOMP_B_EN	PWMA_ACOMP_A_EN
R/W-0	R/W-0	R/W-0	R/W-0	R/W-0	R/W-0	R/W-0	R/W-0

LEGEND: R/W = Read/Write; R = Read only; -n = value after reset

Table 6-16. DPWM 0 Fault Detection Register (DPWM0FAULTDET) Register Field Descriptions

Bit	Field	Type	Reset	Description
30	PWMB_DCOMP3_EN	R/W	0	Enables Digital Comparator 3 result for DPWM 0 PWM-B Fault Detection 0 = Digital Comparator 3 disabled for fault detection (Default) 1 = Digital Comparator 3 enabled for fault detection
29	PWMB_DCOMP2_EN	R/W	0	Enables Digital Comparator 2 result for DPWM 0 PWM-B Fault Detection 0 = Digital Comparator 2 disabled for fault detection (Default) 1 = Digital Comparator 2 enabled for fault detection
28	PWMB_DCOMP1_EN	R/W	0	Enables Digital Comparator 1 result for DPWM 0 PWM-B Fault Detection 0 = Digital Comparator 1 disabled for fault detection (Default) 1 = Digital Comparator 1 enabled for fault detection
27	PWMB_DCOMP0_EN	R/W	0	Enables Digital Comparator 0 result for DPWM 0 PWM-B Fault Detection 0 = Digital Comparator 0 disabled for fault detection (Default) 1 = Digital Comparator 0 enabled for fault detection
26	PWMB_FAULT3_EN	R/W	0	Enables FAULT[3] pin for DPWM 0 PWM-B Fault Detection 0 = External Fault pin disabled for fault detection (Default) 1 = External Fault pin enabled for fault detection
25	PWMB_FAULT2_EN	R/W	0	Enables FAULT[2] pin for DPWM 0 PWM-B Fault Detection 0 = External Fault pin disabled for fault detection (Default) 1 = External Fault pin enabled for fault detection

**Table 6-16. DPWM 0 Fault Detection Register (DPWM0FAULTDET) Register Field Descriptions
(continued)**

Bit	Field	Type	Reset	Description
24	PWMB_FAULT1_EN	R/W	0	Enables FAULT[1] pin for DPWM 0 PWM-B Fault Detection 0 = External Fault pin disabled for fault detection (Default) 1 = External Fault pin enabled for fault detection
23	PWMB_FAULT0_EN	R/W	0	Enables FAULT[0] pin for DPWM 0 PWM-B Fault Detection 0 = External Fault pin disabled for fault detection (Default) 1 = External Fault pin enabled for fault detection
22	PWMB_ACOMP_G_EN	R/W	0	Enables Analog Comparator G result for DPWM 0 PWM-B Fault detection 0 = Analog Comparator result disabled for fault detection (Default) 1 = Analog Comparator result enabled for fault detection
21	PWMB_ACOMP_F_EN	R/W	0	Enables Analog Comparator F result for DPWM 0 PWM-B Fault detection 0 = Analog Comparator result disabled for fault detection (Default) 1 = Analog Comparator result enabled for fault detection
20	PWMB_ACOMP_E_EN	R/W	0	Enables Analog Comparator E result for DPWM 0 PWM-B Fault detection 0 = Analog Comparator result disabled for fault detection (Default) 1 = Analog Comparator result enabled for fault detection
19	PWMB_ACOMP_D_EN	R/W	0	Enables Analog Comparator D result for DPWM 0 PWM-B Fault detection 0 = Analog Comparator result disabled for fault detection (Default) 1 = Analog Comparator result enabled for fault detection
18	PWMB_ACOMP_C_EN	R/W	0	Enables Analog Comparator C result for DPWM 0 PWM-B Fault detection 0 = Analog Comparator result disabled for fault detection (Default) 1 = Analog Comparator result enabled for fault detection
17	PWMB_ACOMP_B_EN	R/W	0	Enables Analog Comparator B result for DPWM 0 PWM-B Fault detection 0 = Analog Comparator result disabled for fault detection (Default) 1 = Analog Comparator result enabled for fault detection
16	PWMB_ACOMP_A_EN	R/W	0	Enables Analog Comparator A result for DPWM 0 PWM-B Fault detection 0 = Analog Comparator result disabled for fault detection (Default) 1 = Analog Comparator result enabled for fault detection
15	Reserved	R	0	
14	PWMA_DCOMP3_EN	R/W	0	Enables Digital Comparator 3 result for DPWM 0 PWM-A Fault Detection 0 = Digital Comparator 3 disabled for fault detection (Default) 1 = Digital Comparator 3 enabled for fault detection
13	PWMA_DCOMP2_EN	R/W	0	Enables Digital Comparator 2 result for DPWM 0 PWM-A Fault Detection 0 = Digital Comparator 2 disabled for fault detection (Default) 1 = Digital Comparator 2 enabled for fault detection
12	PWMA_DCOMP1_EN	R/W	0	Enables Digital Comparator 1 result for DPWM 0 PWM-A Fault Detection 0 = Digital Comparator 1 disabled for fault detection (Default) 1 = Digital Comparator 1 enabled for fault detection
11	PWMA_DCOMP0_EN	R/W	0	Enables Digital Comparator 0 result for DPWM 0 PWM-A Fault Detection 0 = Digital Comparator 0 disabled for fault detection (Default) 1 = Digital Comparator 0 enabled for fault detection
10	PWMA_FAULT3_EN	R/W	0	Enables FAULT[3] pin for DPWM 0 PWM-A Fault Detection 0 = External Fault pin disabled for fault detection (Default) 1 = External Fault pin enabled for fault detection
9	PWMA_FAULT2_EN	R/W	0	Enables FAULT[2] pin for DPWM 0 PWM-A Fault Detection 0 = External Fault pin disabled for fault detection (Default) 1 = External Fault pin enabled for fault detection

**Table 6-16. DPWM 0 Fault Detection Register (DPWM0FAULTDET) Register Field Descriptions
(continued)**

Bit	Field	Type	Reset	Description
8	PWMA_FAULT1_EN	R/W	0	Enables FAULT[1] pin for DPWM 0 PWM-A Fault Detection 0 = External Fault pin disabled for fault detection (Default) 1 = External Fault pin enabled for fault detection
7	PWMA_FAULT0_EN	R/W	0	Enables FAULT[0] pin for DPWM 0 PWM-A Fault Detection 0 = External Fault pin disabled for fault detection (Default) 1 = External Fault pin enabled for fault detection
6	PWMA_ACOMP_G_EN	R/W	0	Enables Analog Comparator G result for DPWM 0 PWM-A Fault detection 0 = Analog Comparator result disabled for fault detection (Default) 1 = Analog Comparator result enabled for fault detection
5	PWMA_ACOMP_F_EN	R/W	0	Enables Analog Comparator F result for DPWM 0 PWM-A Fault detection 0 = Analog Comparator result disabled for fault detection (Default) 1 = Analog Comparator result enabled for fault detection
4	PWMA_ACOMP_E_EN	R/W	0	Enables Analog Comparator E result for DPWM 0 PWM-A Fault detection 0 = Analog Comparator result disabled for fault detection (Default) 1 = Analog Comparator result enabled for fault detection
3	PWMA_ACOMP_D_EN	R/W	0	Enables Analog Comparator D result for DPWM 0 PWM-A Fault detection 0 = Analog Comparator result disabled for fault detection (Default) 1 = Analog Comparator result enabled for fault detection
2	PWMA_ACOMP_C_EN	R/W	0	Enables Analog Comparator C result for DPWM 0 PWM-A Fault detection 0 = Analog Comparator result disabled for fault detection (Default) 1 = Analog Comparator result enabled for fault detection
1	PWMA_ACOMP_B_EN	R/W	0	Enables Analog Comparator B result for DPWM 0 PWM-A Fault detection 0 = Analog Comparator result disabled for fault detection (Default) 1 = Analog Comparator result enabled for fault detection
0	PWMA_ACOMP_A_EN	R/W	0	Enables Analog Comparator A result for DPWM 0 PWM-A Fault detection 0 = Analog Comparator result disabled for fault detection (Default) 1 = Analog Comparator result enabled for fault detection

6.11.17 DPWM 1 Current Limit Control Register (DPWM1CLIM)

Address 00030044

Figure 6-21. DPWM 1 Current Limit Control Register (DPWM1CLIM)

16	15	14	13	12	11	10	9	8
ANALOG_PCM_EN	DCOMP3_EN	DCOMP2_EN	DCOMP1_EN	DCOMP0_EN	Reserved	FAULT3_EN	FAULT2_EN	FAULT1_EN
R/W-0	R/W-0	R/W-0	R/W-0	R/W-0	R-0	R/W-0	R/W-0	R/W-0
7	6	5	4	3	2	1	0	
FAULT0_EN	ACOMP_G_EN	ACOMP_F_EN	ACOMP_E_EN	ACOMP_D_EN	ACOMP_C_EN	ACOMP_B_EN	ACOMP_A_EN	
R/W-0	R/W-0	R/W-0	R/W-0	R/W-0	R/W-0	R/W-0	R/W-0	

LEGEND: R/W = Read/Write; R = Read only; -n = value after reset

ANALOG_PCM_EN	DCOMP3_EN	DCOMP2_EN	DCOMP1_EN	DCOMP0_EN	FAULT3_EN	FAULT2_EN	FAULT1_EN
R/W-0	R/W-0	R/W-0	R/W-0	R/W-0	R/W-0	R/W-0	R/W-0
7	6	5	4	3	2	1	0
FAULT0_EN	ACOMP_G_EN	ACOMP_F_EN	ACOMP_E_EN	ACOMP_D_EN	ACOMP_C_EN	ACOMP_B_EN	ACOMP_A_EN
R/W-0	R/W-0	R/W-0	R/W-0	R/W-0	R/W-0	R/W-0	R/W-0

LEGEND: R/W = Read/Write; R = Read only; -n = value after reset

Table 6-17. DPWM 1 Current Limit Control Register (DPWM1CLIM) Register Field Descriptions

Bit	Field	Type	Reset	Description
16	ANALOG_PCM_EN	R/W	0	Enables Analog Peak Current detection result for DPWM 1 Current Limit 0 = Analog Peak Current detection disabled for current limit (Default) 1 = Analog Peak Current detection enabled for current limit
15	DCOMP3_EN	R/W	0	Enables Digital Comparator 3 result for DPWM 1 Current Limit 0 = Digital Comparator 3 result disabled for current limit (Default) 1 = Digital Comparator 3 result enabled for current limit
14	DCOMP2_EN	R/W	0	Enables Digital Comparator 2 result for DPWM 1 Current Limit 0 = Digital Comparator 2 result disabled for current limit (Default) 1 = Digital Comparator 2 result enabled for current limit
13	DCOMP1_EN	R/W	0	Enables Digital Comparator 1 result for DPWM 1 Current Limit 0 = Digital Comparator 1 result disabled for current limit (Default) 1 = Digital Comparator 1 result enabled for current limit
12	DCOMP0_EN	R/W	0	Enables Digital Comparator 0 result for DPWM 1 Current Limit 0 = Digital Comparator 0 result disabled for current limit (Default) 1 = Digital Comparator 0 result enabled for current limit
11	Reserved	R	0	
10	FAULT3_EN	R/W	0	Enables FAULT[3] pin for DPWM 1 Current Limit 0 = External Fault pin disabled for current limit (Default) 1 = External Fault pin enabled for current limit

**Table 6-17. DPWM 1 Current Limit Control Register (DPWM1CLIM) Register Field Descriptions
(continued)**

Bit	Field	Type	Reset	Description
9	FAULT2_EN	R/W	0	Enables FAULT[2] pin for DPWM 1 Current Limit 0 = External Fault pin disabled for current limit (Default) 1 = External Fault pin enabled for current limit
8	FAULT1_EN	R/W	0	Enables FAULT[1] pin for DPWM 1 Current Limit 0 = External Fault pin disabled for current limit (Default) 1 = External Fault pin enabled for current limit
7	FAULT0_EN	R/W	0	Enables FAULT[0] pin for DPWM 1 Current Limit 0 = External Fault pin disabled for current limit (Default) 1 = External Fault pin enabled for current limit
6	ACOMP_G_EN	R/W	0	Enables Analog Comparator G result for DPWM 1 Current Limit 0 = Analog Comparator result disabled for current limit (Default) 1 = Analog Comparator result enabled for current limit
5	ACOMP_F_EN	R/W	0	Enables Analog Comparator F result for DPWM 1 Current Limit 0 = Analog Comparator result disabled for current limit (Default) 1 = Analog Comparator result enabled for current limit
4	ACOMP_E_EN	R/W	0	Enables Analog Comparator E result for DPWM 1 Current Limit 0 = Analog Comparator result disabled for current limit (Default) 1 = Analog Comparator result enabled for current limit
3	ACOMP_D_EN	R/W	0	Enables Analog Comparator D result for DPWM 1 Current Limit 0 = Analog Comparator result disabled for current limit (Default) 1 = Analog Comparator result enabled for current limit
2	ACOMP_C_EN	R/W	0	Enables Analog Comparator C result for DPWM 1 Current Limit 0 = Analog Comparator result disabled for current limit (Default) 1 = Analog Comparator result enabled for current limit
1	ACOMP_B_EN	R/W	0	Enables Analog Comparator B result for DPWM 1 Current Limit 0 = Analog Comparator result disabled for current limit (Default) 1 = Analog Comparator result enabled for current limit
0	ACOMP_A_EN	R/W	0	Enables Analog Comparator A result for DPWM 1 Current Limit 0 = Analog Comparator result disabled for current limit (Default) 1 = Analog Comparator result enabled for current limit

6.11.18 DPWM 1 Fault AB Detection Register (DPWM1FLTABDET)

Address 00030048

Figure 6-22. DPWM 1 Fault AB Detection Register (DPWM1FLTABDET)

14	13	12	11	10	9	8	
DCOMP3_EN	DCOMP2_EN	DCOMP1_EN	DCOMP0_EN	FAULT3_EN	FAULT2_EN	FAULT1_EN	
R/W-0	R/W-0	R/W-0	R/W-0	R/W-0	R/W-0	R/W-0	
7	6	5	4	3	2	1	0
FAULT0_EN	ACOMP_G_EN	ACOMP_F_EN	ACOMP_E_EN	ACOMP_D_EN	ACOMP_C_EN	ACOMP_B_EN	ACOMP_A_EN
R/W-0	R/W-0	R/W-0	R/W-0	R/W-0	R/W-0	R/W-0	R/W-0

LEGEND: R/W = Read/Write; R = Read only; -n = value after reset

Table 6-18. DPWM 1 Fault AB Detection Register (DPWM1FLTABDET) Register Field Descriptions

Bit	Field	Type	Reset	Description
14	DCOMP3_EN	R/W	0	Enables Digital Comparator 3 result for DPWM 1 Current Limit 0 = Digital Comparator 3 result disabled for current limit (Default) 1 = Digital Comparator 3 result enabled for current limit
13	DCOMP2_EN	R/W	0	Enables Digital Comparator 2 result for DPWM 1 Current Limit 0 = Digital Comparator 2 result disabled for current limit (Default) 1 = Digital Comparator 2 result enabled for current limit
12	DCOMP1_EN	R/W	0	Enables Digital Comparator 1 result for DPWM 1 Current Limit 0 = Digital Comparator 1 result disabled for current limit (Default) 1 = Digital Comparator 1 result enabled for current limit
11	DCOMP0_EN	R/W	0	Enables Digital Comparator 0 result for DPWM 1 Current Limit 0 = Digital Comparator 0 result disabled for current limit (Default) 1 = Digital Comparator 0 result enabled for current limit
10	FAULT3_EN	R/W	0	Enables FAULT[3] pin for DPWM 1 Current Limit 0 = External Fault pin disabled for current limit (Default) 1 = External Fault pin enabled for current limit
9	FAULT2_EN	R/W	0	Enables FAULT[2] pin for DPWM 1 Current Limit 0 = External Fault pin disabled for current limit (Default) 1 = External Fault pin enabled for current limit
8	FAULT1_EN	R/W	0	Enables FAULT[1] pin for DPWM 1 Current Limit 0 = External Fault pin disabled for current limit (Default) 1 = External Fault pin enabled for current limit
7	FAULT0_EN	R/W	0	Enables FAULT[0] pin for DPWM 1 Current Limit 0 = External Fault pin disabled for current limit (Default) 1 = External Fault pin enabled for current limit
6	ACOMP_G_EN	R/W	0	Enables Analog Comparator G result for DPWM 1 Current Limit 0 = Analog Comparator result disabled for current limit (Default) 1 = Analog Comparator result enabled for current limit
5	ACOMP_F_EN	R/W	0	Enables Analog Comparator F result for DPWM 1 Current Limit 0 = Analog Comparator result disabled for current limit (Default) 1 = Analog Comparator result enabled for current limit

**Table 6-18. DPWM 1 Fault AB Detection Register (DPWM1FLTABDET) Register Field Descriptions
(continued)**

Bit	Field	Type	Reset	Description
4	ACOMP_E_EN	R/W	0	Enables Analog Comparator E result for DPWM 1 Current Limit 0 = Analog Comparator result disabled for current limit (Default) 1 = Analog Comparator result enabled for current limit
3	ACOMP_D_EN	R/W	0	Enables Analog Comparator D result for DPWM 1 Current Limit 0 = Analog Comparator result disabled for current limit (Default) 1 = Analog Comparator result enabled for current limit
2	ACOMP_C_EN	R/W	0	Enables Analog Comparator C result for DPWM 1 Current Limit 0 = Analog Comparator result disabled for current limit (Default) 1 = Analog Comparator result enabled for current limit
1	ACOMP_B_EN	R/W	0	Enables Analog Comparator B result for DPWM 1 Current Limit 0 = Analog Comparator result disabled for current limit (Default) 1 = Analog Comparator result enabled for current limit
0	ACOMP_A_EN	R/W	0	Enables Analog Comparator A result for DPWM 1 Current Limit 0 = Analog Comparator result disabled for current limit (Default) 1 = Analog Comparator result enabled for current limit

6.11.19 DPWM 1 Fault Detection Register (DPWM1FAULTDET)

Address 0003004C

Figure 6-23. DPWM 1 Fault Detection Register (DPWM1FAULTDET)

30	29	28	27	26	25	24	
PWMB_DCOMP3_EN	PWMB_DCOMP2_EN	PWMB_DCOMP1_EN	PWMB_DCOMP0_EN	PWMB_FAULT3_EN	PWMB_FAULT2_EN	PWMB_FAULT1_EN	
R/W-0	R/W-0	R/W-0	R/W-0	R/W-0	R/W-0	R/W-0	
23	22	21	20	19	18	17	16
PWMB_FAULT0_EN	PWMB_ACOMP_G_EN	PWMB_ACOMP_F_EN	PWMB_ACOMP_E_EN	PWMB_ACOMP_D_EN	PWMB_ACOMP_C_EN	PWMB_ACOMP_B_EN	PWMB_ACOMP_A_EN
R/W-0	R/W-0	R/W-0	R/W-0	R/W-0	R/W-0	R/W-0	R/W-0
15	14	13	12	11	10	9	8
Reserved	PWMA_DCOMP3_EN	PWMA_DCOMP2_EN	PWMA_DCOMP1_EN	PWMA_DCOMP0_EN	PWMA_FAULT3_EN	PWMA_FAULT2_EN	PWMA_FAULT1_EN
R/W-0	R/W-0	R/W-0	R/W-0	R/W-0	R/W-0	R/W-0	R/W-0
7	6	5	4	3	2	1	0
PWMA_FAULT0_EN	PWMA_ACOMP_G_EN	PWMA_ACOMP_F_EN	PWMA_ACOMP_E_EN	PWMA_ACOMP_D_EN	PWMA_ACOMP_C_EN	PWMA_ACOMP_B_EN	PWMA_ACOMP_A_EN
R/W-0	R/W-0	R/W-0	R/W-0	R/W-0	R/W-0	R/W-0	R/W-0

LEGEND: R/W = Read/Write; R = Read only; -n = value after reset

Table 6-19. DPWM 1 Fault Detection Register (DPWM1FAULTDET) Register Field Descriptions

Bit	Field	Type	Reset	Description
30	PWMB_DCOMP3_EN	R/W	0	Enables Digital Comparator 3 result for DPWM 1 PWM-B Fault Detection 0 = Digital Comparator 3 disabled for fault detection (Default) 1 = Digital Comparator 3 enabled for fault detection
29	PWMB_DCOMP2_EN	R/W	0	Enables Digital Comparator 2 result for DPWM 1 PWM-B Fault Detection 0 = Digital Comparator 2 disabled for fault detection (Default) 1 = Digital Comparator 2 enabled for fault detection
28	PWMB_DCOMP1_EN	R/W	0	Enables Digital Comparator 1 result for DPWM 1 PWM-B Fault Detection 0 = Digital Comparator 1 disabled for fault detection (Default) 1 = Digital Comparator 1 enabled for fault detection
27	PWMB_DCOMP0_EN	R/W	0	Enables Digital Comparator 0 result for DPWM 1 PWM-B Fault Detection 0 = Digital Comparator 0 disabled for fault detection (Default) 1 = Digital Comparator 0 enabled for fault detection
26	PWMB_FAULT3_EN	R/W	0	Enables FAULT[3] pin for DPWM 1 PWM-B Fault Detection 0 = External Fault pin disabled for fault detection (Default) 1 = External Fault pin enabled for fault detection
25	PWMB_FAULT2_EN	R/W	0	Enables FAULT[2] pin for DPWM 1 PWM-B Fault Detection 0 = External Fault pin disabled for fault detection (Default) 1 = External Fault pin enabled for fault detection

**Table 6-19. DPWM 1 Fault Detection Register (DPWM1FAULTDET) Register Field Descriptions
(continued)**

Bit	Field	Type	Reset	Description
24	PWMB_FAULT1_EN	R/W	0	Enables FAULT[1] pin for DPWM 1 PWM-B Fault Detection 0 = External Fault pin disabled for fault detection (Default) 1 = External Fault pin enabled for fault detection
23	PWMB_FAULT0_EN	R/W	0	Enables FAULT[0] pin for DPWM 1 PWM-B Fault Detection 0 = External Fault pin disabled for fault detection (Default) 1 = External Fault pin enabled for fault detection
22	PWMB_ACOMP_G_EN	R/W	0	Enables Analog Comparator G result for DPWM 1 PWM-B Fault detection 0 = Analog Comparator result disabled for fault detection (Default) 1 = Analog Comparator result enabled for fault detection
21	PWMB_ACOMP_F_EN	R/W	0	Enables Analog Comparator F result for DPWM 1 PWM-B Fault detection 0 = Analog Comparator result disabled for fault detection (Default) 1 = Analog Comparator result enabled for fault detection
20	PWMB_ACOMP_E_EN	R/W	0	Enables Analog Comparator E result for DPWM 1 PWM-B Fault detection 0 = Analog Comparator result disabled for fault detection (Default) 1 = Analog Comparator result enabled for fault detection
19	PWMB_ACOMP_D_EN	R/W	0	Enables Analog Comparator D result for DPWM 1 PWM-B Fault detection 0 = Analog Comparator result disabled for fault detection (Default) 1 = Analog Comparator result enabled for fault detection
18	PWMB_ACOMP_C_EN	R/W	0	Enables Analog Comparator C result for DPWM 1 PWM-B Fault detection 0 = Analog Comparator result disabled for fault detection (Default) 1 = Analog Comparator result enabled for fault detection
17	PWMB_ACOMP_B_EN	R/W	0	Enables Analog Comparator B result for DPWM 1 PWM-B Fault detection 0 = Analog Comparator result disabled for fault detection (Default) 1 = Analog Comparator result enabled for fault detection
16	PWMB_ACOMP_A_EN	R/W	0	Enables Analog Comparator A result for DPWM 1 PWM-B Fault detection 0 = Analog Comparator result disabled for fault detection (Default) 1 = Analog Comparator result enabled for fault detection
15	Reserved	R	0	
14	PWMA_DCOMP3_EN	R/W	0	Enables Digital Comparator 3 result for DPWM 1 PWM-A Fault Detection 0 = Digital Comparator 3 disabled for fault detection (Default) 1 = Digital Comparator 3 enabled for fault detection
13	PWMA_DCOMP2_EN	R/W	0	Enables Digital Comparator 2 result for DPWM 1 PWM-A Fault Detection 0 = Digital Comparator 2 disabled for fault detection (Default) 1 = Digital Comparator 2 enabled for fault detection
12	PWMA_DCOMP1_EN	R/W	0	Enables Digital Comparator 1 result for DPWM 1 PWM-A Fault Detection 0 = Digital Comparator 1 disabled for fault detection (Default) 1 = Digital Comparator 1 enabled for fault detection
11	PWMA_DCOMP0_EN	R/W	0	Enables Digital Comparator 0 result for DPWM 1 PWM-A Fault Detection 0 = Digital Comparator 0 disabled for fault detection (Default) 1 = Digital Comparator 0 enabled for fault detection
10	PWMA_FAULT3_EN	R/W	0	Enables FAULT[3] pin for DPWM 1 PWM-A Fault Detection 0 = External Fault pin disabled for fault detection (Default) 1 = External Fault pin enabled for fault detection
9	PWMA_FAULT2_EN	R/W	0	Enables FAULT[2] pin for DPWM 1 PWM-A Fault Detection 0 = External Fault pin disabled for fault detection (Default) 1 = External Fault pin enabled for fault detection

**Table 6-19. DPWM 1 Fault Detection Register (DPWM1FAULTDET) Register Field Descriptions
(continued)**

Bit	Field	Type	Reset	Description
8	PWMA_FAULT1_EN	R/W	0	Enables FAULT[1] pin for DPWM 1 PWM-A Fault Detection 0 = External Fault pin disabled for fault detection (Default) 1 = External Fault pin enabled for fault detection
7	PWMA_FAULT0_EN	R/W	0	Enables FAULT[0] pin for DPWM 1 PWM-A Fault Detection 0 = External Fault pin disabled for fault detection (Default) 1 = External Fault pin enabled for fault detection
6	PWMA_ACOMP_G_EN	R/W	0	Enables Analog Comparator G result for DPWM 1 PWM-A Fault detection 0 = Analog Comparator result disabled for fault detection (Default) 1 = Analog Comparator result enabled for fault detection
5	PWMA_ACOMP_F_EN	R/W	0	Enables Analog Comparator F result for DPWM 1 PWM-A Fault detection 0 = Analog Comparator result disabled for fault detection (Default) 1 = Analog Comparator result enabled for fault detection
4	PWMA_ACOMP_E_EN	R/W	0	Enables Analog Comparator E result for DPWM 1 PWM-A Fault detection 0 = Analog Comparator result disabled for fault detection (Default) 1 = Analog Comparator result enabled for fault detection
3	PWMA_ACOMP_D_EN	R/W	0	Enables Analog Comparator D result for DPWM 1 PWM-A Fault detection 0 = Analog Comparator result disabled for fault detection (Default) 1 = Analog Comparator result enabled for fault detection
2	PWMA_ACOMP_C_EN	R/W	0	Enables Analog Comparator C result for DPWM 1 PWM-A Fault detection 0 = Analog Comparator result disabled for fault detection (Default) 1 = Analog Comparator result enabled for fault detection
1	PWMA_ACOMP_B_EN	R/W	0	Enables Analog Comparator B result for DPWM 1 PWM-A Fault detection 0 = Analog Comparator result disabled for fault detection (Default) 1 = Analog Comparator result enabled for fault detection
0	PWMA_ACOMP_A_EN	R/W	0	Enables Analog Comparator A result for DPWM 1 PWM-A Fault detection 0 = Analog Comparator result disabled for fault detection (Default) 1 = Analog Comparator result enabled for fault detection

6.11.20 DPWM 2 Current Limit Control Register (DPWM2CLIM)

Address 00030054

Figure 6-24. DPWM 2 Current Limit Control Register (DPWM2CLIM)

16	15	14	13	12	11	10	9	8
ANALOG_PCM_EN	DCOMP3_EN	DCOMP2_EN	DCOMP1_EN	DCOMP0_EN	Reserved	FAULT3_EN	FAULT2_EN	FAULT1_EN
R/W-0	R/W-0	R/W-0	R/W-0	R/W-0	R-0	R/W-0	R/W-0	R/W-0
7	6	5	4	3	2	1	0	
FAULT0_EN	ACOMP_G_EN	ACOMP_F_EN	ACOMP_E_EN	ACOMP_D_EN	ACOMP_C_EN	ACOMP_B_EN	ACOMP_A_EN	
R/W-0	R/W-0	R/W-0	R/W-0	R/W-0	R/W-0	R/W-0	R/W-0	

LEGEND: R/W = Read/Write; R = Read only; -n = value after reset

ANALOG_PCM_EN	DCOMP3_EN	DCOMP2_EN	DCOMP1_EN	DCOMP0_EN	FAULT3_EN	FAULT2_EN	FAULT1_EN
R/W-0	R/W-0	R/W-0	R/W-0	R/W-0	R/W-0	R/W-0	R/W-0
7	6	5	4	3	2	1	0
FAULT0_EN	ACOMP_G_EN	ACOMP_F_EN	ACOMP_E_EN	ACOMP_D_EN	ACOMP_C_EN	ACOMP_B_EN	ACOMP_A_EN
R/W-0	R/W-0	R/W-0	R/W-0	R/W-0	R/W-0	R/W-0	R/W-0

LEGEND: R/W = Read/Write; R = Read only; -n = value after reset

Table 6-20. DPWM 2 Current Limit Control Register (DPWM2CLIM) Register Field Descriptions

Bit	Field	Type	Reset	Description
16	ANALOG_PCM_EN	R/W	0	Enables Analog Peak Current detection result for DPWM 2 Current Limit 0 = Analog Peak Current detection disabled for current limit (Default) 1 = Analog Peak Current detection enabled for current limit
15	DCOMP3_EN	R/W	0	Enables Digital Comparator 3 result for DPWM 2 Current Limit 0 = Digital Comparator 3 result disabled for current limit (Default) 1 = Digital Comparator 3 result enabled for current limit
14	DCOMP2_EN	R/W	0	Enables Digital Comparator 2 result for DPWM 2 Current Limit 0 = Digital Comparator 2 result disabled for current limit (Default) 1 = Digital Comparator 2 result enabled for current limit
13	DCOMP1_EN	R/W	0	Enables Digital Comparator 1 result for DPWM 2 Current Limit 0 = Digital Comparator 1 result disabled for current limit (Default) 1 = Digital Comparator 1 result enabled for current limit
12	DCOMP0_EN	R/W	0	Enables Digital Comparator 0 result for DPWM 2 Current Limit 0 = Digital Comparator 0 result disabled for current limit (Default) 1 = Digital Comparator 0 result enabled for current limit
11	Reserved	R	0	
10	FAULT3_EN	R/W	0	Enables FAULT[3] pin for DPWM 2 Current Limit 0 = External Fault pin disabled for current limit (Default) 1 = External Fault pin enabled for current limit

**Table 6-20. DPWM 2 Current Limit Control Register (DPWM2CLIM) Register Field Descriptions
(continued)**

Bit	Field	Type	Reset	Description
9	FAULT2_EN	R/W	0	Enables FAULT[2] pin for DPWM 2 Current Limit 0 = External Fault pin disabled for current limit (Default) 1 = External Fault pin enabled for current limit
8	FAULT1_EN	R/W	0	Enables FAULT[1] pin for DPWM 2 Current Limit 0 = External Fault pin disabled for current limit (Default) 1 = External Fault pin enabled for current limit
7	FAULT0_EN	R/W	0	Enables FAULT[0] pin for DPWM 2 Current Limit 0 = External Fault pin disabled for current limit (Default) 1 = External Fault pin enabled for current limit
6	ACOMP_G_EN	R/W	0	Enables Analog Comparator G result for DPWM 2 Current Limit 0 = Analog Comparator result disabled for current limit (Default) 1 = Analog Comparator result enabled for current limit
5	ACOMP_F_EN	R/W	0	Enables Analog Comparator F result for DPWM 2 Current Limit 0 = Analog Comparator result disabled for current limit (Default) 1 = Analog Comparator result enabled for current limit
4	ACOMP_E_EN	R/W	0	Enables Analog Comparator E result for DPWM 2 Current Limit 0 = Analog Comparator result disabled for current limit (Default) 1 = Analog Comparator result enabled for current limit
3	ACOMP_D_EN	R/W	0	Enables Analog Comparator D result for DPWM 2 Current Limit 0 = Analog Comparator result disabled for current limit (Default) 1 = Analog Comparator result enabled for current limit
2	ACOMP_C_EN	R/W	0	Enables Analog Comparator C result for DPWM 2 Current Limit 0 = Analog Comparator result disabled for current limit (Default) 1 = Analog Comparator result enabled for current limit
1	ACOMP_B_EN	R/W	0	Enables Analog Comparator B result for DPWM 2 Current Limit 0 = Analog Comparator result disabled for current limit (Default) 1 = Analog Comparator result enabled for current limit
0	ACOMP_A_EN	R/W	0	Enables Analog Comparator A result for DPWM 2 Current Limit 0 = Analog Comparator result disabled for current limit (Default) 1 = Analog Comparator result enabled for current limit

6.11.21 DPWM 2 Fault AB Detection Register (DPWM2FLTABDET)

Address 00030058

Figure 6-25. DPWM 2 Fault AB Detection Register (DPWM2FLTABDET)

14	13	12	11	10	9	8		
DCOMP3_EN	DCOMP2_EN	DCOMP1_EN	DCOMP0_EN	FAULT3_EN	FAULT2_EN	FAULT1_EN		
R/W-0	R/W-0	R/W-0	R/W-0	R/W-0	R/W-0	R/W-0		
7	6	5	4	3	2	1	0	
FAULT0_EN	ACOMP_G_EN	ACOMP_F_EN	ACOMP_E_EN	ACOMP_D_EN	ACOMP_C_EN	ACOMP_B_EN	ACOMP_A_EN	
R/W-0	R/W-0	R/W-0	R/W-0	R/W-0	R/W-0	R/W-0	R/W-0	

LEGEND: R/W = Read/Write; R = Read only; -n = value after reset

Table 6-21. DPWM 2 Fault AB Detection Register (DPWM2FLTABDET) Register Field Descriptions

Bit	Field	Type	Reset	Description
14	DCOMP3_EN	R/W	0	Enables Digital Comparator 3 result for DPWM 2 Fault AB Detection 0 = Digital Comparator 3 disabled for Fault AB detection (Default) 1 = Digital Comparator 3 enabled for Fault AB detection
13	DCOMP2_EN	R/W	0	Enables Digital Comparator 2 result for DPWM 2 Fault AB Detection 0 = Digital Comparator 2 disabled for Fault AB detection (Default) 1 = Digital Comparator 2 enabled for Fault AB detection
12	DCOMP1_EN	R/W	0	Enables Digital Comparator 1 result for DPWM 2 Fault AB Detection 0 = Digital Comparator 1 disabled for Fault AB detection (Default) 1 = Digital Comparator 1 enabled for Fault AB detection
11	DCOMP0_EN	R/W	0	Enables Digital Comparator 0 result for DPWM 2 Fault AB Detection 0 = Digital Comparator 0 disabled for Fault AB detection (Default) 1 = Digital Comparator 0 enabled for Fault AB detection
10	FAULT3_EN	R/W	0	Enables FAULT[3] pin for DPWM 2 Fault AB detection 0 = External Fault pin disabled for Fault AB detection (Default) 1 = External Fault pin enabled for Fault AB detection
9	FAULT2_EN	R/W	0	Enables FAULT[2] pin for DPWM 2 Fault AB detection 0 = External Fault pin disabled for Fault AB detection (Default) 1 = External Fault pin enabled for Fault AB detection
8	FAULT1_EN	R/W	0	Enables FAULT[1] pin for DPWM 2 Fault AB detection 0 = External Fault pin disabled for Fault AB detection (Default) 1 = External Fault pin enabled for Fault AB detection
7	FAULT0_EN	R/W	0	Enables FAULT[0] pin for DPWM 2 Fault AB detection 0 = External Fault pin disabled for Fault AB detection (Default) 1 = External Fault pin enabled for Fault AB detection
6	ACOMP_G_EN	R/W	0	Enables Analog Comparator G result for DPWM 2 Fault AB detection 0 = Analog Comparator result disabled for Fault AB detection (Default) 1 = Analog Comparator result enabled for Fault AB detection
5	ACOMP_F_EN	R/W	0	Enables Analog Comparator F result for DPWM 2 Fault AB detection 0 = Analog Comparator result disabled for Fault AB detection (Default) 1 = Analog Comparator result enabled for Fault AB detection

**Table 6-21. DPWM 2 Fault AB Detection Register (DPWM2FLTABDET) Register Field Descriptions
(continued)**

Bit	Field	Type	Reset	Description
4	ACOMP_E_EN	R/W	0	Enables Analog Comparator E result for DPWM 2 Fault AB detection 0 = Analog Comparator result disabled for Fault AB detection (Default) 1 = Analog Comparator result enabled for Fault AB detection
3	ACOMP_D_EN	R/W	0	Enables Analog Comparator D result for DPWM 2 Fault AB detection 0 = Analog Comparator result disabled for Fault AB detection (Default) 1 = Analog Comparator result enabled for Fault AB detection
2	ACOMP_C_EN	R/W	0	Enables Analog Comparator C result for DPWM 2 Fault AB detection 0 = Analog Comparator result disabled for Fault AB detection (Default) 1 = Analog Comparator result enabled for Fault AB detection
1	ACOMP_B_EN	R/W	0	Enables Analog Comparator B result for DPWM 2 Fault AB detection 0 = Analog Comparator result disabled for Fault AB detection (Default) 1 = Analog Comparator result enabled for Fault AB detection
0	ACOMP_A_EN	R/W	0	Enables Analog Comparator A result for DPWM 2 Fault AB detection 0 = Analog Comparator result disabled for Fault AB detection (Default) 1 = Analog Comparator result enabled for Fault AB detection

6.11.22 DPWM 2 Fault Detection Register (DPWM2FAULTDET)

Address 0003005C

Figure 6-26. DPWM 2 Fault Detection Register (DPWM2FAULTDET)

30	29	28	27	26	25	24	
PWMB_DCOMP3_EN	PWMB_DCOMP2_EN	PWMB_DCOMP1_EN	PWMB_DCOMP0_EN	PWMB_FAULT3_EN	PWMB_FAULT2_EN	PWMB_FAULT1_EN	
R/W-0	R/W-0	R/W-0	R/W-0	R/W-0	R/W-0	R/W-0	
23	22	21	20	19	18	17	16
PWMB_FAULT0_EN	PWMB_ACOMP_G_EN	PWMB_ACOMP_F_EN	PWMB_ACOMP_E_EN	PWMB_ACOMP_D_EN	PWMB_ACOMP_C_EN	PWMB_ACOMP_B_EN	PWMB_ACOMP_A_EN
R/W-0	R/W-0	R/W-0	R/W-0	R/W-0	R/W-0	R/W-0	R/W-0
15	14	13	12	11	10	9	8
Reserved	PWMA_DCOMP3_EN	PWMA_DCOMP2_EN	PWMA_DCOMP1_EN	PWMA_DCOMP0_EN	PWMA_FAULT3_EN	PWMA_FAULT2_EN	PWMA_FAULT1_EN
R-0	R/W-0	R/W-0	R/W-0	R/W-0	R/W-0	R/W-0	R/W-0
7	6	5	4	3	2	1	0
PWMA_FAULT0_EN	PWMA_ACOMP_G_EN	PWMA_ACOMP_F_EN	PWMA_ACOMP_E_EN	PWMA_ACOMP_D_EN	PWMA_ACOMP_C_EN	PWMA_ACOMP_B_EN	PWMA_ACOMP_A_EN
R/W-0	R/W-0	R/W-0	R/W-0	R/W-0	R/W-0	R/W-0	R/W-0

LEGEND: R/W = Read/Write; R = Read only; -n = value after reset

Table 6-22. DPWM 2 Fault Detection Register (DPWM2FAULTDET) Register Field Descriptions

Bit	Field	Type	Reset	Description
30	PWMB_DCOMP3_EN	R/W	0	Enables Digital Comparator 3 result for DPWM 2 PWM-B Fault Detection 0 = Digital Comparator 3 disabled for fault detection (Default) 1 = Digital Comparator 3 enabled for fault detection
29	PWMB_DCOMP2_EN	R/W	0	Enables Digital Comparator 2 result for DPWM 2 PWM-B Fault Detection 0 = Digital Comparator 2 disabled for fault detection (Default) 1 = Digital Comparator 2 enabled for fault detection
28	PWMB_DCOMP1_EN	R/W	0	Enables Digital Comparator 1 result for DPWM 2 PWM-B Fault Detection 0 = Digital Comparator 1 disabled for fault detection (Default) 1 = Digital Comparator 1 enabled for fault detection
27	PWMB_DCOMP0_EN	R/W	0	Enables Digital Comparator 0 result for DPWM 2 PWM-B Fault Detection 0 = Digital Comparator 0 disabled for fault detection (Default) 1 = Digital Comparator 0 enabled for fault detection
26	PWMB_FAULT3_EN	R/W	0	Enables FAULT[3] pin for DPWM 2 PWM-B Fault Detection 0 = External Fault pin disabled for fault detection (Default) 1 = External Fault pin enabled for fault detection
25	PWMB_FAULT2_EN	R/W	0	Enables FAULT[2] pin for DPWM 2 PWM-B Fault Detection 0 = External Fault pin disabled for fault detection (Default) 1 = External Fault pin enabled for fault detection

**Table 6-22. DPWM 2 Fault Detection Register (DPWM2FAULTDET) Register Field Descriptions
(continued)**

Bit	Field	Type	Reset	Description
24	PWMB_FAULT1_EN	R/W	0	Enables FAULT[1] pin for DPWM 2 PWM-B Fault Detection 0 = External Fault pin disabled for fault detection (Default) 1 = External Fault pin enabled for fault detection
23	PWMB_FAULT0_EN	R/W	0	Enables FAULT[0] pin for DPWM 2 PWM-B Fault Detection 0 = External Fault pin disabled for fault detection (Default) 1 = External Fault pin enabled for fault detection
22	PWMB_ACOMP_G_EN	R/W	0	Enables Analog Comparator G result for DPWM 2 PWM-B Fault detection 0 = Analog Comparator result disabled for fault detection (Default) 1 = Analog Comparator result enabled for fault detection
21	PWMB_ACOMP_F_EN	R/W	0	Enables Analog Comparator F result for DPWM 2 PWM-B Fault detection 0 = Analog Comparator result disabled for fault detection (Default) 1 = Analog Comparator result enabled for fault detection
20	PWMB_ACOMP_E_EN	R/W	0	Enables Analog Comparator E result for DPWM 2 PWM-B Fault detection 0 = Analog Comparator result disabled for fault detection (Default) 1 = Analog Comparator result enabled for fault detection
19	PWMB_ACOMP_D_EN	R/W	0	Enables Analog Comparator D result for DPWM 2 PWM-B Fault detection 0 = Analog Comparator result disabled for fault detection (Default) 1 = Analog Comparator result enabled for fault detection
18	PWMB_ACOMP_C_EN	R/W	0	Enables Analog Comparator C result for DPWM 2 PWM-B Fault detection 0 = Analog Comparator result disabled for fault detection (Default) 1 = Analog Comparator result enabled for fault detection
17	PWMB_ACOMP_B_EN	R/W	0	Enables Analog Comparator B result for DPWM 2 PWM-B Fault detection 0 = Analog Comparator result disabled for fault detection (Default) 1 = Analog Comparator result enabled for fault detection
16	PWMB_ACOMP_A_EN	R/W	0	Enables Analog Comparator A result for DPWM 2 PWM-B Fault detection 0 = Analog Comparator result disabled for fault detection (Default) 1 = Analog Comparator result enabled for fault detection
15	Reserved	R	0	
14	PWMA_DCOMP3_EN	R/W	0	Enables Digital Comparator 3 result for DPWM 2 PWM-A Fault Detection 0 = Digital Comparator 3 disabled for fault detection (Default) 1 = Digital Comparator 3 enabled for fault detection
13	PWMA_DCOMP2_EN	R/W	0	Enables Digital Comparator 2 result for DPWM 2 PWM-A Fault Detection 0 = Digital Comparator 2 disabled for fault detection (Default) 1 = Digital Comparator 2 enabled for fault detection
12	PWMA_DCOMP1_EN	R/W	0	Enables Digital Comparator 1 result for DPWM 2 PWM-A Fault Detection 0 = Digital Comparator 1 disabled for fault detection (Default) 1 = Digital Comparator 1 enabled for fault detection
11	PWMA_DCOMP0_EN	R/W	0	Enables Digital Comparator 0 result for DPWM 2 PWM-A Fault Detection 0 = Digital Comparator 0 disabled for fault detection (Default) 1 = Digital Comparator 0 enabled for fault detection
10	PWMA_FAULT3_EN	R/W	0	Enables FAULT[3] pin for DPWM 2 PWM-A Fault Detection 0 = External Fault pin disabled for fault detection (Default) 1 = External Fault pin enabled for fault detection
9	PWMA_FAULT2_EN	R/W	0	Enables FAULT[2] pin for DPWM 2 PWM-A Fault Detection 0 = External Fault pin disabled for fault detection (Default) 1 = External Fault pin enabled for fault detection

**Table 6-22. DPWM 2 Fault Detection Register (DPWM2FAULTDET) Register Field Descriptions
(continued)**

Bit	Field	Type	Reset	Description
8	PWMA_FAULT1_EN	R/W	0	Enables FAULT[1] pin for DPWM 2 PWM-A Fault Detection 0 = External Fault pin disabled for fault detection (Default) 1 = External Fault pin enabled for fault detection
7	PWMA_FAULT0_EN	R/W	0	Enables FAULT[0] pin for DPWM 2 PWM-A Fault Detection 0 = External Fault pin disabled for fault detection (Default) 1 = External Fault pin enabled for fault detection
6	PWMA_ACOMP_G_EN	R/W	0	Enables Analog Comparator G result for DPWM 2 PWM-A Fault detection 0 = Analog Comparator result disabled for fault detection (Default) 1 = Analog Comparator result enabled for fault detection
5	PWMA_ACOMP_F_EN	R/W	0	Enables Analog Comparator F result for DPWM 2 PWM-A Fault detection 0 = Analog Comparator result disabled for fault detection (Default) 1 = Analog Comparator result enabled for fault detection
4	PWMA_ACOMP_E_EN	R/W	0	Enables Analog Comparator E result for DPWM 2 PWM-A Fault detection 0 = Analog Comparator result disabled for fault detection (Default) 1 = Analog Comparator result enabled for fault detection
3	PWMA_ACOMP_D_EN	R/W	0	Enables Analog Comparator D result for DPWM 2 PWM-A Fault detection 0 = Analog Comparator result disabled for fault detection (Default) 1 = Analog Comparator result enabled for fault detection
2	PWMA_ACOMP_C_EN	R/W	0	Enables Analog Comparator C result for DPWM 2 PWM-A Fault detection 0 = Analog Comparator result disabled for fault detection (Default) 1 = Analog Comparator result enabled for fault detection
1	PWMA_ACOMP_B_EN	R/W	0	Enables Analog Comparator B result for DPWM 2 PWM-A Fault detection 0 = Analog Comparator result disabled for fault detection (Default) 1 = Analog Comparator result enabled for fault detection
0	PWMA_ACOMP_A_EN	R/W	0	Enables Analog Comparator A result for DPWM 2 PWM-A Fault detection 0 = Analog Comparator result disabled for fault detection (Default) 1 = Analog Comparator result enabled for fault detection

6.11.23 DPWM 3 Current Limit Control Register (DPWM3CLIM)

Address 00030064

Figure 6-27. DPWM 3 Current Limit Control Register (DPWM3CLIM)

16	15	14	13	12	11	10	9	8
ANALOG_PCM_EN	DCOMP3_EN	DCOMP2_EN	DCOMP1_EN	DCOMP0_EN	Reserved	FAULT3_EN	FAULT2_EN	FAULT1_EN
R/W-0	R/W-0	R/W-0	R/W-0	R/W-0	R-0	R/W-0	R/W-0	R/W-0
7	6	5	4	3	2	1	0	
FAULT0_EN	ACOMP_G_EN	ACOMP_F_EN	ACOMP_E_EN	ACOMP_D_EN	ACOMP_C_EN	ACOMP_B_EN	ACOMP_A_EN	
R/W-0	R/W-0	R/W-0	R/W-0	R/W-0	R/W-0	R/W-0	R/W-0	

LEGEND: R/W = Read/Write; R = Read only; -n = value after reset

ANALOG_PCM_EN	DCOMP3_EN	DCOMP2_EN	DCOMP1_EN	DCOMP0_EN	FAULT3_EN	FAULT2_EN	FAULT1_EN
R/W-0	R/W-0	R/W-0	R/W-0	R/W-0	R/W-0	R/W-0	R/W-0
7	6	5	4	3	2	1	0
FAULT0_EN	ACOMP_G_EN	ACOMP_F_EN	ACOMP_E_EN	ACOMP_D_EN	ACOMP_C_EN	ACOMP_B_EN	ACOMP_A_EN
R/W-0	R/W-0	R/W-0	R/W-0	R/W-0	R/W-0	R/W-0	R/W-0

LEGEND: R/W = Read/Write; R = Read only; -n = value after reset

Table 6-23. DPWM 3 Current Limit Control Register (DPWM3CLIM) Register Field Descriptions

Bit	Field	Type	Reset	Description
16	ANALOG_PCM_EN	R/W	0	Enables Analog Peak Current detection result for DPWM 3 Current Limit 0 = Analog Peak Current detection disabled for current limit (Default) 1 = Analog Peak Current detection enabled for current limit
15	DCOMP3_EN	R/W	0	Enables Digital Comparator 3 result for DPWM 3 Current Limit 0 = Digital Comparator 3 result disabled for current limit (Default) 1 = Digital Comparator 3 result enabled for current limit
14	DCOMP2_EN	R/W	0	Enables Digital Comparator 2 result for DPWM 3 Current Limit 0 = Digital Comparator 2 result disabled for current limit (Default) 1 = Digital Comparator 2 result enabled for current limit
13	DCOMP1_EN	R/W	0	Enables Digital Comparator 1 result for DPWM 3 Current Limit 0 = Digital Comparator 1 result disabled for current limit (Default) 1 = Digital Comparator 1 result enabled for current limit
12	DCOMP0_EN	R/W	0	Enables Digital Comparator 0 result for DPWM 3 Current Limit 0 = Digital Comparator 0 result disabled for current limit (Default) 1 = Digital Comparator 0 result enabled for current limit
11	Reserved	R	0	
10	FAULT3_EN	R/W	0	Enables FAULT[3] pin for DPWM 3 Current Limit 0 = External Fault pin disabled for current limit (Default) 1 = External Fault pin enabled for current limit

**Table 6-23. DPWM 3 Current Limit Control Register (DPWM3CLIM) Register Field Descriptions
(continued)**

Bit	Field	Type	Reset	Description
9	FAULT2_EN	R/W	0	Enables FAULT[2] pin for DPWM 3 Current Limit 0 = External Fault pin disabled for current limit (Default) 1 = External Fault pin enabled for current limit
8	FAULT1_EN	R/W	0	Enables FAULT[1] pin for DPWM 3 Current Limit 0 = External Fault pin disabled for current limit (Default) 1 = External Fault pin enabled for current limit
7	FAULT0_EN	R/W	0	Enables FAULT[0] pin for DPWM 3 Current Limit 0 = External Fault pin disabled for current limit (Default) 1 = External Fault pin enabled for current limit
6	ACOMP_G_EN	R/W	0	Enables Analog Comparator G result for DPWM 3 Current Limit 0 = Analog Comparator result disabled for current limit (Default) 1 = Analog Comparator result enabled for current limit
5	ACOMP_F_EN	R/W	0	Enables Analog Comparator F result for DPWM 3 Current Limit 0 = Analog Comparator result disabled for current limit (Default) 1 = Analog Comparator result enabled for current limit
4	ACOMP_E_EN	R/W	0	Enables Analog Comparator E result for DPWM 3 Current Limit 0 = Analog Comparator result disabled for current limit (Default) 1 = Analog Comparator result enabled for current limit
3	ACOMP_D_EN	R/W	0	Enables Analog Comparator D result for DPWM 3 Current Limit 0 = Analog Comparator result disabled for current limit (Default) 1 = Analog Comparator result enabled for current limit
2	ACOMP_C_EN	R/W	0	Enables Analog Comparator C result for DPWM 3 Current Limit 0 = Analog Comparator result disabled for current limit (Default) 1 = Analog Comparator result enabled for current limit
1	ACOMP_B_EN	R/W	0	Enables Analog Comparator B result for DPWM 3 Current Limit 0 = Analog Comparator result disabled for current limit (Default) 1 = Analog Comparator result enabled for current limit
0	ACOMP_A_EN	R/W	0	Enables Analog Comparator A result for DPWM 3 Current Limit 0 = Analog Comparator result disabled for current limit (Default) 1 = Analog Comparator result enabled for current limit

6.11.24 DPWM 3 Fault AB Detection Register (DPWM3FLTABDET)

Address 00030068

Figure 6-28. DPWM 3 Fault AB Detection Register (DPWM3FLTABDET)

14	13	12	11	10	9	8	
DCOMP3_EN	DCOMP2_EN	DCOMP1_EN	DCOMP0_EN	FAULT3_EN	FAULT2_EN	FAULT1_EN	
R/W-0	R/W-0	R/W-0	R/W-0	R/W-0	R/W-0	R/W-0	
7	6	5	4	3	2	1	0
FAULT0_EN	ACOMP_G_EN	ACOMP_F_EN	ACOMP_E_EN	ACOMP_D_EN	ACOMP_C_EN	ACOMP_B_EN	ACOMP_A_EN
R/W-0	R/W-0	R/W-0	R/W-0	R/W-0	R/W-0	R/W-0	R/W-0

LEGEND: R/W = Read/Write; R = Read only; -n = value after reset

Table 6-24. DPWM 3 Fault AB Detection Register (DPWM3FLTABDET) Register Field Descriptions

Bit	Field	Type	Reset	Description
14	DCOMP3_EN	R/W	0	Enables Digital Comparator 3 result for DPWM 3 Fault AB Detection 0 = Digital Comparator 3 disabled for Fault AB detection (Default) 1 = Digital Comparator 3 enabled for Fault AB detection
13	DCOMP2_EN	R/W	0	Enables Digital Comparator 2 result for DPWM 3 Fault AB Detection 0 = Digital Comparator 2 disabled for Fault AB detection (Default) 1 = Digital Comparator 2 enabled for Fault AB detection
12	DCOMP1_EN	R/W	0	Enables Digital Comparator 1 result for DPWM 3 Fault AB Detection 0 = Digital Comparator 1 disabled for Fault AB detection (Default) 1 = Digital Comparator 1 enabled for Fault AB detection
11	DCOMP0_EN	R/W	0	Enables Digital Comparator 0 result for DPWM 3 Fault AB Detection 0 = Digital Comparator 0 disabled for Fault AB detection (Default) 1 = Digital Comparator 0 enabled for Fault AB detection
10	FAULT3_EN	R/W	0	Enables FAULT[3] pin for DPWM 3 Fault AB detection 0 = External Fault pin disabled for Fault AB detection (Default) 1 = External Fault pin enabled for Fault AB detection
9	FAULT2_EN	R/W	0	Enables FAULT[2] pin for DPWM 3 Fault AB detection 0 = External Fault pin disabled for Fault AB detection (Default) 1 = External Fault pin enabled for Fault AB detection
8	FAULT1_EN	R/W	0	Enables FAULT[1] pin for DPWM 3 Fault AB detection 0 = External Fault pin disabled for Fault AB detection (Default) 1 = External Fault pin enabled for Fault AB detection
7	FAULT0_EN	R/W	0	Enables FAULT[0] pin for DPWM 3 Fault AB detection 0 = External Fault pin disabled for Fault AB detection (Default) 1 = External Fault pin enabled for Fault AB detection
6	ACOMP_G_EN	R/W	0	Enables Analog Comparator G result for DPWM 3 Fault AB detection 0 = Analog Comparator result disabled for Fault AB detection (Default) 1 = Analog Comparator result enabled for Fault AB detection
5	ACOMP_F_EN	R/W	0	Enables Analog Comparator F result for DPWM 3 Fault AB detection 0 = Analog Comparator result disabled for Fault AB detection (Default) 1 = Analog Comparator result enabled for Fault AB detection

**Table 6-24. DPWM 3 Fault AB Detection Register (DPWM3FLTABDET) Register Field Descriptions
(continued)**

Bit	Field	Type	Reset	Description
4	ACOMP_E_EN	R/W	0	Enables Analog Comparator E result for DPWM 3 Fault AB detection 0 = Analog Comparator result disabled for Fault AB detection (Default) 1 = Analog Comparator result enabled for Fault AB detection
3	ACOMP_D_EN	R/W	0	Enables Analog Comparator D result for DPWM 3 Fault AB detection 0 = Analog Comparator result disabled for Fault AB detection (Default) 1 = Analog Comparator result enabled for Fault AB detection
2	ACOMP_C_EN	R/W	0	Enables Analog Comparator C result for DPWM 3 Fault AB detection 0 = Analog Comparator result disabled for Fault AB detection (Default) 1 = Analog Comparator result enabled for Fault AB detection
1	ACOMP_B_EN	R/W	0	Enables Analog Comparator B result for DPWM 3 Fault AB detection 0 = Analog Comparator result disabled for Fault AB detection (Default) 1 = Analog Comparator result enabled for Fault AB detection
0	ACOMP_A_EN	R/W	0	Enables Analog Comparator A result for DPWM 3 Fault AB detection 0 = Analog Comparator result disabled for Fault AB detection (Default) 1 = Analog Comparator result enabled for Fault AB detection

6.11.25 DPWM 3 Fault Detection Register (DPWM3FAULTDET)

Address 0003006C

Figure 6-29. DPWM 3 Fault Detection Register (DPWM3FAULTDET)

30	29	28	27	26	25	24	
PWMB_DCOMP3_EN	PWMB_DCOMP2_EN	PWMB_DCOMP1_EN	PWMB_DCOMP0_EN	PWMB_FAULT3_EN	PWMB_FAULT2_EN	PWMB_FAULT1_EN	
R/W-0	R/W-0	R/W-0	R/W-0	R/W-0	R/W-0	R/W-0	
23	22	21	20	19	18	17	16
PWMB_FAULT0_EN	PWMB_ACOMP_G_EN	PWMB_ACOMP_F_EN	PWMB_ACOMP_E_EN	PWMB_ACOMP_D_EN	PWMB_ACOMP_C_EN	PWMB_ACOMP_B_EN	PWMB_ACOMP_A_EN
R/W-0	R/W-0	R/W-0	R/W-0	R/W-0	R/W-0	R/W-0	R/W-0
15	14	13	12	11	10	9	8
Reserved	PWMA_DCOMP3_EN	PWMA_DCOMP2_EN	PWMA_DCOMP1_EN	PWMA_DCOMP0_EN	PWMA_FAULT3_EN	PWMA_FAULT2_EN	PWMA_FAULT1_EN
R-0	R/W-0	R/W-0	R/W-0	R/W-0	R/W-0	R/W-0	R/W-0
7	6	5	4	3	2	1	0
PWMA_FAULT0_EN	PWMA_ACOMP_G_EN	PWMA_ACOMP_F_EN	PWMA_ACOMP_E_EN	PWMA_ACOMP_D_EN	PWMA_ACOMP_C_EN	PWMA_ACOMP_B_EN	PWMA_ACOMP_A_EN
R/W-0	R/W-0	R/W-0	R/W-0	R/W-0	R/W-0	R/W-0	R/W-0

LEGEND: R/W = Read/Write; R = Read only; -n = value after reset

Table 6-25. DPWM 3 Fault Detection Register (DPWM3FAULTDET) Register Field Descriptions

Bit	Field	Type	Reset	Description
30	PWMB_DCOMP3_EN	R/W	0	Enables Digital Comparator 3 result for DPWM 3 PWM-B Fault Detection 0 = Digital Comparator 3 disabled for fault detection (Default) 1 = Digital Comparator 3 enabled for fault detection
29	PWMB_DCOMP2_EN	R/W	0	Enables Digital Comparator 2 result for DPWM 3 PWM-B Fault Detection 0 = Digital Comparator 2 disabled for fault detection (Default) 1 = Digital Comparator 2 enabled for fault detection
28	PWMB_DCOMP1_EN	R/W	0	Enables Digital Comparator 1 result for DPWM 3 PWM-B Fault Detection 0 = Digital Comparator 1 disabled for fault detection (Default) 1 = Digital Comparator 1 enabled for fault detection
27	PWMB_DCOMP0_EN	R/W	0	Enables Digital Comparator 0 result for DPWM 3 PWM-B Fault Detection 0 = Digital Comparator 0 disabled for fault detection (Default) 1 = Digital Comparator 0 enabled for fault detection
26	PWMB_FAULT3_EN	R/W	0	Enables FAULT[3] pin for DPWM 3 PWM-B Fault Detection 0 = External Fault pin disabled for fault detection (Default) 1 = External Fault pin enabled for fault detection
25	PWMB_FAULT2_EN	R/W	0	Enables FAULT[2] pin for DPWM 3 PWM-B Fault Detection 0 = External Fault pin disabled for fault detection (Default) 1 = External Fault pin enabled for fault detection

**Table 6-25. DPWM 3 Fault Detection Register (DPWM3FAULTDET) Register Field Descriptions
(continued)**

Bit	Field	Type	Reset	Description
24	PWMB_FAULT1_EN	R/W	0	Enables FAULT[1] pin for DPWM 3 PWM-B Fault Detection 0 = External Fault pin disabled for fault detection (Default) 1 = External Fault pin enabled for fault detection
23	PWMB_FAULT0_EN	R/W	0	Enables FAULT[0] pin for DPWM 3 PWM-B Fault Detection 0 = External Fault pin disabled for fault detection (Default) 1 = External Fault pin enabled for fault detection
22	PWMB_ACOMP_G_EN	R/W	0	Enables Analog Comparator G result for DPWM 3 PWM-B Fault detection 0 = Analog Comparator result disabled for fault detection (Default) 1 = Analog Comparator result enabled for fault detection
21	PWMB_ACOMP_F_EN	R/W	0	Enables Analog Comparator F result for DPWM 3 PWM-B Fault detection 0 = Analog Comparator result disabled for fault detection (Default) 1 = Analog Comparator result enabled for fault detection
20	PWMB_ACOMP_E_EN	R/W	0	Enables Analog Comparator E result for DPWM 3 PWM-B Fault detection 0 = Analog Comparator result disabled for fault detection (Default) 1 = Analog Comparator result enabled for fault detection
19	PWMB_ACOMP_D_EN	R/W	0	Enables Analog Comparator D result for DPWM 3 PWM-B Fault detection 0 = Analog Comparator result disabled for fault detection (Default) 1 = Analog Comparator result enabled for fault detection
18	PWMB_ACOMP_C_EN	R/W	0	Enables Analog Comparator C result for DPWM 3 PWM-B Fault detection 0 = Analog Comparator result disabled for fault detection (Default) 1 = Analog Comparator result enabled for fault detection
17	PWMB_ACOMP_B_EN	R/W	0	Enables Analog Comparator B result for DPWM 3 PWM-B Fault detection 0 = Analog Comparator result disabled for fault detection (Default) 1 = Analog Comparator result enabled for fault detection
16	PWMB_ACOMP_A_EN	R/W	0	Enables Analog Comparator A result for DPWM 3 PWM-B Fault detection 0 = Analog Comparator result disabled for fault detection (Default) 1 = Analog Comparator result enabled for fault detection
15	Reserved	R	0	
14	PWMA_DCOMP3_EN	R/W	0	Enables Digital Comparator 3 result for DPWM 3 PWM-A Fault Detection 0 = Digital Comparator 3 disabled for fault detection (Default) 1 = Digital Comparator 3 enabled for fault detection
13	PWMA_DCOMP2_EN	R/W	0	Enables Digital Comparator 2 result for DPWM 3 PWM-A Fault Detection 0 = Digital Comparator 2 disabled for fault detection (Default) 1 = Digital Comparator 2 enabled for fault detection
12	PWMA_DCOMP1_EN	R/W	0	Enables Digital Comparator 1 result for DPWM 3 PWM-A Fault Detection 0 = Digital Comparator 1 disabled for fault detection (Default) 1 = Digital Comparator 1 enabled for fault detection
11	PWMA_DCOMP0_EN	R/W	0	Enables Digital Comparator 0 result for DPWM 3 PWM-A Fault Detection 0 = Digital Comparator 0 disabled for fault detection (Default) 1 = Digital Comparator 0 enabled for fault detection
10	PWMA_FAULT3_EN	R/W	0	Enables FAULT[3] pin for DPWM 3 PWM-A Fault Detection 0 = External Fault pin disabled for fault detection (Default) 1 = External Fault pin enabled for fault detection
9	PWMA_FAULT2_EN	R/W	0	Enables FAULT[2] pin for DPWM 3 PWM-A Fault Detection 0 = External Fault pin disabled for fault detection (Default) 1 = External Fault pin enabled for fault detection

**Table 6-25. DPWM 3 Fault Detection Register (DPWM3FAULTDET) Register Field Descriptions
(continued)**

Bit	Field	Type	Reset	Description
8	PWMA_FAULT1_EN	R/W	0	Enables FAULT[1] pin for DPWM 3 PWM-A Fault Detection 0 = External Fault pin disabled for fault detection (Default) 1 = External Fault pin enabled for fault detection
7	PWMA_FAULT0_EN	R/W	0	Enables FAULT[0] pin for DPWM 3 PWM-A Fault Detection 0 = External Fault pin disabled for fault detection (Default) 1 = External Fault pin enabled for fault detection
6	PWMA_ACOMP_G_EN	R/W	0	Enables Analog Comparator G result for DPWM 3 PWM-A Fault detection 0 = Analog Comparator result disabled for fault detection (Default) 1 = Analog Comparator result enabled for fault detection
5	PWMA_ACOMP_F_EN	R/W	0	Enables Analog Comparator F result for DPWM 3 PWM-A Fault detection 0 = Analog Comparator result disabled for fault detection (Default) 1 = Analog Comparator result enabled for fault detection
4	PWMA_ACOMP_E_EN	R/W	0	Enables Analog Comparator E result for DPWM 3 PWM-A Fault detection 0 = Analog Comparator result disabled for fault detection (Default) 1 = Analog Comparator result enabled for fault detection
3	PWMA_ACOMP_D_EN	R/W	0	Enables Analog Comparator D result for DPWM 3 PWM-A Fault detection 0 = Analog Comparator result disabled for fault detection (Default) 1 = Analog Comparator result enabled for fault detection
2	PWMA_ACOMP_C_EN	R/W	0	Enables Analog Comparator C result for DPWM 3 PWM-A Fault detection 0 = Analog Comparator result disabled for fault detection (Default) 1 = Analog Comparator result enabled for fault detection
1	PWMA_ACOMP_B_EN	R/W	0	Enables Analog Comparator B result for DPWM 3 PWM-A Fault detection 0 = Analog Comparator result disabled for fault detection (Default) 1 = Analog Comparator result enabled for fault detection
0	PWMA_ACOMP_A_EN	R/W	0	Enables Analog Comparator A result for DPWM 3 PWM-A Fault detection 0 = Analog Comparator result disabled for fault detection (Default) 1 = Analog Comparator result enabled for fault detection

6.11.26 HFO Fail Detect Register (HFOFAILDET)

Address 00030074

Figure 6-30. HFO Fail Detect Register (HFOFAILDET)



LEGEND: R/W = Read/Write; R = Read only; -n = value after reset

Table 6-26. HFO Fail Detect Register (HFOFAILDET) Register Field Descriptions

Bit	Field	Type	Reset	Description
17-1	HFO_FAIL_THRESH	R/W	0 0000 0000 1111 1111	Configures threshold where a clear flag is used to clear a counter in the Low Frequency Oscillator domain (if LFO counter overflows, a reset will be generated), resolution of threshold equals High Frequency Oscillator period
0	HFO_DETECT_EN	R/W	0	Enables High Frequency Oscillator Failure Detection logic, device will be reset upon detection of an oscillator failure 0 = Disables High Frequency Oscillator Failure Detection (Default) 1 = Enables High Frequency Oscillator Failure Detection

6.11.27 LFO Fail Detect Register (LFOFAILDET)

Address 00030078

Figure 6-31. LFO Fail Detect Register (LFOFAILDET)

6	2	1	0
LFO_FAIL_THRESH		LFO_FAIL_INT_EN	LFO_DETECT_EN
R/W-0 0011		R/W-0	R/W-0

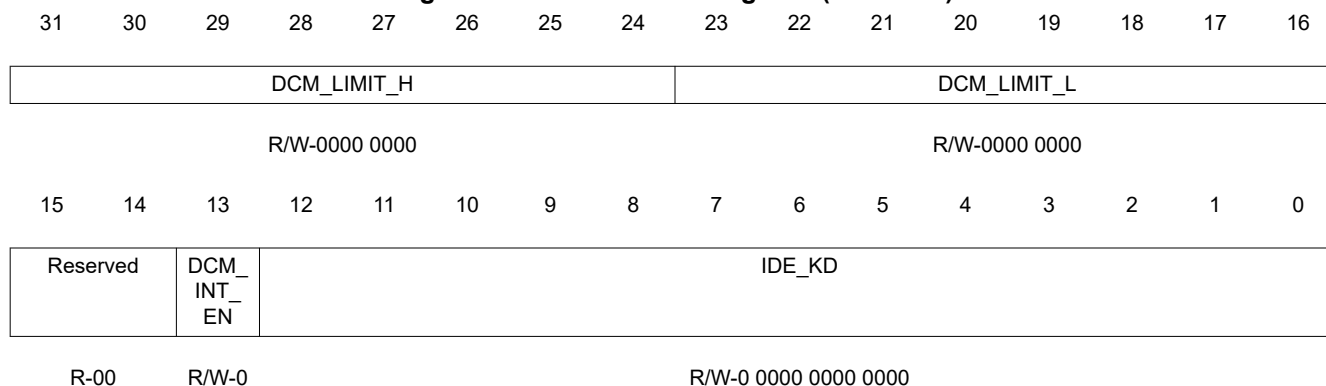
LEGEND: R/W = Read/Write; R = Read only; -n = value after reset

Table 6-27. LFO Fail Detect Register (LFOFAILDET) Register Field Descriptions

Bit	Field	Type	Reset	Description
6-2	LFO_FAIL_THRESH	R/W	0 0011	Configures threshold where a clear flag is used to clear a counter in the High Frequency Oscillator domain (if HFO counter overflows, a reset will be generated), resolution of threshold equals Low Frequency Oscillator period
1	LFO_FAIL_INT_EN	R/W	0	Low Frequency Oscillator Fail Interrupt Enable 0 = Disables Interrupt Generation upon LFO Failure Detection (Default) 1 = Enables Interrupt Generation upon LFO Failure Detection
0	LFO_DETECT_EN	R/W	0	Enables Low Frequency Oscillator Failure Detection logic, interrupt will be generated upon detection of an oscillator failure 0 = Disables Low Frequency Oscillator Failure Detection (Default) 1 = Enables Low Frequency Oscillator Failure Detection

6.11.28 IDE Control Register (IDECTRL)

Address 0003007C

Figure 6-32. IDE Control Register (IDECTRL)


LEGEND: R/W = Read/Write; R = Read only; -n = value after reset

Table 6-28. IDE Control Register (IDECTRL) Register Field Descriptions

Bit	Field	Type	Reset	Description
31-24	DCM_LIMIT_H	R/W	0000 0000	Value added to 1-Da value to provide hysteresis for exiting DCM mode
23-16	DCM_LIMIT_L	R/W	0000 0000	Value subtracted from 1-Da value to provide hysteresis for entering DCM mode
15-14	Reserved	R	00	
13	DCM_INT_EN	R/W	0	Enables Discontinuous Conduction Mode (DCM) interrupt generation based on selected Filter outputs 0 = Disables DCM Detection Interrupt (Default) 1 = Enables DCM Detection Interrupt
12-0	IDE_KD	R/W	0 0000 0000 0000	13-bit unsigned value used to calculate the DPWM B Pulse width when configured in IDE Mode. IDE_KD is configured in 4.9 format, with the integer portion of the KD value ranging from 0 to 15 and 9 fractional bits available for the pulse width calculation.



The GIO Module offers general purpose input/output pins. These pins can also be used as inputs to the fault logic above. These pins can also be used for fault interrupts. The GIO registers also control and monitor the external interrupt pin. They are similar to GPIO functions on many microcontrollers.

GIO Registers have the following attributes:

- Addresses placed on word boundaries
- Byte, Half-word and Word Writes are permitted
- All Registers can be read in any mode
- All Registers are writeable

7.1 Fault IO Direction Register (FAULTDIR)	292
7.2 Fault Input Register (FAULTIN)	293
7.3 Fault Output Register (FAULTOUT)	294
7.4 Fault Interrupt Enable Register (FAULTINTENA)	295
7.5 Fault Interrupt Polarity Register (FAULTINTPOL)	296
7.6 Fault Interrupt Pending Register (FAULTINTPEND)	297
7.7 External Interrupt Direction Register (EXTINTDIR)	298
7.8 External Interrupt Input Register (EXTINTIN)	299
7.9 External Interrupt Output Register (EXTINTOUT)	300
7.10 External Interrupt Enable Register (EXTINTENA)	301
7.11 External Interrupt Polarity Register (EXTINTPOL)	302
7.12 External Interrupt Pending Register (EXTINTPEND)	303
7.13 References	303

7.1 Fault IO Direction Register (FAULTDIR)

Address FFF7FA00

Figure 7-1. Fault IO Direction Register (FAULTDIR)

6	5	4	3	2	1	0
TMS_DIR	TDI_DIR	TDO_DIR	FLT3_DIR	FLT2_DIR	FLT1_DIR	FLT0_DIR
R/W-0	R/W-0	R/W-0	R/W-0	R/W-0	R/W-0	R/W-0

LEGEND: R/W = Read/Write; R = Read only; -n = value after reset

FLT3_DIR	FLT2_DIR	FLT1_DIR	FLT0_DIR
R/W-0	R/W-0	R/W-0	R/W-0

LEGEND: R/W = Read/Write; R = Read only; -n = value after reset

Table 7-1. Fault IO Direction Register (FAULTDIR) Register Field Descriptions

Bit	Field	Type	Reset	Description
6	TMS_DIR	R/W	0	TMS Pin Configuration 0 = TMS pin configured as an input pin in GPIO mode (Default) 1 = TMS pin configured as an output pin in GPIO mode
5	TDI_DIR	R/W	0	TDI Pin Configuration 0 = TDI pin configured as an input pin in GPIO mode (Default) 1 = TDI pin configured as an output pin in GPIO mode
4	TDO_DIR	R/W	0	TDO Pin Configuration 0 = TDO pin configured as an input pin in GPIO mode (Default) 1 = TDO pin configured as an output pin in GPIO mode
3	FLT3_DIR	R/W	0	FAULT[3] Pin Configuration 0 = FAULT[3] pin configured as an input pin (Default) 1 = FAULT[3] pin configured as an output pin
2	FLT2_DIR	R/W	0	FAULT[2] Pin Configuration 0 = FAULT[2] pin configured as an input pin (Default) 1 = FAULT[2] pin configured as an output pin
1	FLT1_DIR	R/W	0	FAULT[1] Pin Configuration 0 = FAULT[1] pin configured as an input pin (Default) 1 = FAULT[1] pin configured as an output pin
0	FLT0_DIR	R/W	0	FAULT[0] Pin Configuration 0 = FAULT[0] pin configured as an input pin (Default) 1 = FAULT[0] pin configured as an output pin

7.2 Fault Input Register (FAULTIN)

Address FFF7FA04

Figure 7-2. Fault Input Register (FAULTIN)

6	5	4	3	2	1	0
TMS_IN	TDI_IN	TDO_IN	FLT3_IN	FLT2_IN	FLT1_IN	FLT0_IN
R-0	R-0	R-0	R-0	R-0	R-0	R-0

LEGEND: R/W = Read/Write; R = Read only; -n = value after reset

FLT3_DIR	FLT2_DIR	FLT1_DIR	FLT0_DIR
R/W-0	R/W-0	R/W-0	R/W-0

LEGEND: R/W = Read/Write; R = Read only; -n = value after reset

Table 7-2. Fault Input Register (FAULTIN) Register Field Descriptions

Bit	Field	Type	Reset	Description
6	TMS_IN	R	0	Input Value of TMS Pin 0 = TMS pin driven low in GPIO mode 1 = TMS pin driven high in GPIO mode
5	TDI_IN	R	0	Input Value of TDI Pin 0 = TDI pin driven low in GPIO mode 1 = TDI pin driven high in GPIO mode
4	TDO_IN	R	0	Input Value of TDO Pin 0 = TDO pin driven low in GPIO mode 1 = TDO pin driven high in GPIO mode
3	FLT3_IN	R	0	Input Value of FAULT[3] Pin 0 = FAULT[3] pin driven low 1 = FAULT[3] pin driven high
2	FLT2_IN	R	0	Input Value of FAULT[2] Pin 0 = FAULT[2] pin driven low 1 = FAULT[2] pin driven high
1	FLT1_IN	R	0	Input Value of FAULT[1] Pin 0 = FAULT[1] pin driven low 1 = FAULT[1] pin driven high
0	FLT0_IN	R	0	Input Value of FAULT[0] Pin 0 = FAULT[0] pin driven low 1 = FAULT[0] pin driven high

7.3 Fault Output Register (FAULTOUT)

Address FFF7FA08

Figure 7-3. Fault Output Register (FAULTOUT)

6	5	4	3	2	1	0
TMS_OUT	TDI_OUT	Reserved	FLT3_OUT	FLT2_OUT	FLT1_OUT	FLT0_OUT
R/W-0	R/W-0	R-0	R/W-0	R/W-0	R/W-0	R/W-0

LEGEND: R/W = Read/Write; R = Read only; -n = value after reset

FLT3_OUT	FLT2_OUT	FLT1_OUT	FLT0_OUT
R/W-0	R/W-0	R/W-0	R/W-0

LEGEND: R/W = Read/Write; R = Read only; -n = value after reset

Table 7-3. Fault Output Register (FAULTOUT) Register Field Descriptions

Bit	Field	Type	Reset	Description
6	TMS_OUT	R/W	0	TMS Pin Output Value 0 = TMS pin driven low when configured as output in GPIO mode (Default) 1 = TMS pin driven high when configured as output in GPIO mode
5	TDI_OUT	R/W	0	TDI Pin Output Value 0 = TDI pin driven low when configured as output in GPIO mode (Default) 1 = TDI pin driven high when configured as output in GPIO mode
4	Reserved	R	0	
3	FLT3_OUT	R/W	0	FAULT[3] Pin Output Value 0 = FAULT[3] pin driven low when configured as output (Default) 1 = FAULT[3] pin driven high when configured as output
2	FLT2_OUT	R/W	0	FAULT[2] Pin Output Value 0 = FAULT[2] pin driven low when configured as output (Default) 1 = FAULT[2] pin driven high when configured as output
1	FLT1_OUT	R/W	0	FAULT[1] Pin Output Value 0 = FAULT[1] pin driven low when configured as output (Default) 1 = FAULT[1] pin driven high when configured as output
0	FLT0_OUT	R/W	0	FAULT[0] Pin Output Value 0 = FAULT[0] pin driven low when configured as output (Default) 1 = FAULT[0] pin driven high when configured as output

7.4 Fault Interrupt Enable Register (FAULTINTENA)

Address FFF7FA14

Figure 7-4. Fault Interrupt Enable Register (FAULTINTENA)

6	5	4	3	2	1	0
TMS_INT_EN	TDI_INT_EN	TDO_INT_EN	FLT3_INT_EN	FLT2_INT_EN	FLT1_INT_EN	FLT0_INT_EN
R/W-0	R/W-0	R/W-0	R/W-0	R/W-0	R/W-0	R/W-0

LEGEND: R/W = Read/Write; R = Read only; -n = value after reset

GIO_D_INT_EN	GIO_C_INT_EN	DTC_B_INT_EN	DTC_A_INT_EN	FLT3_INT_EN	FLT2_INT_EN	FLT1_INT_EN	FLT0_INT_EN
R/W-0	R/W-0	R/W-0	R/W-0	R/W-0	R/W-0	R/W-0	R/W-0

LEGEND: R/W = Read/Write; R = Read only; -n = value after reset

Table 7-4. Fault Interrupt Enable Register (FAULTINTENA) Register Field Descriptions

Bit	Field	Type	Reset	Description
6	TMS_INT_EN	R/W	0	TMS Interrupt Enable 0 = Interrupt disabled for TMS pin (Default) 1 = Interrupt enabled for TMS pin in GPIO mode
5	TDI_INT_EN	R/W	0	TDI Interrupt Enable 0 = Interrupt disabled for TDI pin (Default) 1 = Interrupt enabled for TDI pin in GPIO mode
4	TDO_INT_EN	R/W	0	TDO Interrupt Enable 0 = Interrupt disabled for TDO pin (Default) 1 = Interrupt enabled for TDO pin in GPIO mode
3	FLT3_INT_EN	R/W	0	FAULT[3] Interrupt Enable 0 = Interrupt disabled for FAULT[3] pin (Default) 1 = Interrupt enabled for FAULT[3] pin
2	FLT2_INT_EN	R/W	0	FAULT[2] Interrupt Enable 0 = Interrupt disabled for FAULT[2] pin (Default) 1 = Interrupt enabled for FAULT[2] pin
1	FLT1_INT_EN	R/W	0	FAULT[1] Interrupt Enable 0 = Interrupt disabled for FAULT[1] pin (Default) 1 = Interrupt enabled for FAULT[1] pin
0	FLT0_INT_EN	R/W	0	FAULT[0] Interrupt Enable 0 = Interrupt disabled for FAULT[0] pin (Default) 1 = Interrupt enabled for FAULT[0] pin

7.5 Fault Interrupt Polarity Register (FAULTINTPOL)

Address FFF7FA18

Figure 7-5. Fault Interrupt Polarity Register (FAULTINTPOL)

6	5	4	3	2	1	0
TMS_INT_POL	TDI_INT_POL	TDO_INT_POL	FLT3_INT_POL	FLT2_INT_POL	FLT1_INT_POL	FLT0_INT_POL
R/W-0	R/W-0	R/W-0	R/W-0	R/W-0	R/W-0	R/W-0

LEGEND: R/W = Read/Write; R = Read only; -n = value after reset

GIO_D_INT_P OL	GIO_C_INT_P OL	DTC_B_INT_P OL	DTC_A_INT_P OL	FLT3_INT_POL	FLT2_INT_POL	FLT1_INT_POL	FLT0_INT_POL
R/W-0	R/W-0	R/W-0	R/W-0	R/W-0	R/W-0	R/W-0	R/W-0

LEGEND: R/W = Read/Write; R = Read only; -n = value after reset

Table 7-5. Fault Interrupt Polarity Register (FAULTINTPOL) Register Field Descriptions

Bit	Field	Type	Reset	Description
6	TMS_INT_POL	R/W	0	TMS_INT_POL– TMS Interrupt Polarity Select 0 = Interrupt generated on falling edge (Default) 1 = Interrupt generated on rising edge
5	TDI_INT_POL	R/W	0	TDI_INT_POL– TDI Interrupt Polarity Select 0 = Interrupt generated on falling edge (Default) 1 = Interrupt generated on rising edge
4	TDO_INT_POL	R/W	0	TDO_INT_POL– TDO Interrupt Polarity Select 0 = Interrupt generated on falling edge (Default) 1 = Interrupt generated on rising edge
3	FLT3_INT_POL	R/W	0	FLT3_INT_POL– FAULT[3] Interrupt Polarity Select 0 = Interrupt generated on falling edge (Default) 1 = Interrupt generated on rising edge
2	FLT2_INT_POL	R/W	0	FLT2_INT_POL– FAULT[2] Interrupt Polarity Select 0 = Interrupt generated on falling edge (Default) 1 = Interrupt generated on rising edge
1	FLT1_INT_POL	R/W	0	FLT1_INT_POL– FAULT[1] Interrupt Polarity Select 0 = Interrupt generated on falling edge (Default) 1 = Interrupt generated on rising edge
0	FLT0_INT_POL	R/W	0	FLT0_INT_POL– FAULT[0] Interrupt Polarity Select 0 = Interrupt generated on falling edge (Default) 1 = Interrupt generated on rising edge

7.6 Fault Interrupt Pending Register (FAULTINTPEND)

Address FFF7FA1C

Figure 7-6. Fault Interrupt Pending Register (FAULTINTPEND)

6	5	4	3	2	1	0
TMS_INT_PEND	TDI_INT_PEND	TDO_INT_PEND	FLT3_INT_PEND	FLT2_INT_PEND	FLT1_INT_PEND	FLT0_INT_PEND
R/W-0	R/W-0	R/W-0	R/W-0	R/W-0	R/W-0	R/W-0

LEGEND: R/W = Read/Write; R = Read only; -n = value after reset

GPIO_INT_PE ND_GPIOD	GPIO_INT_PE ND_GPIOC	GPIO_INT_PE ND_GPIOB	GPIO_INT_PE ND_GPIOA	FLT3_INT_PEN D	FLT2_INT_PEN D	FLT1_INT_PEN D	FLT0_INT_PEN D
R/W-0	R/W-0	R/W-0	R/W-0	R/W-0	R/W-0	R/W-0	R/W-0

LEGEND: R/W = Read/Write; R = Read only; -n = value after reset

Table 7-6. Fault Interrupt Pending Register (FAULTINTPEND) Register Field Descriptions

Bit	Field	Type	Reset	Description
6	TMS_INT_PEND	R/W	0	TMS has caused an interrupt ⁽¹⁾ 0 = No Interrupt detected (Default) 1 = Interrupt pending
5	TDI_INT_PEND	R/W	0	TDI has caused an interrupt ⁽¹⁾ 0 = No Interrupt detected (Default) 1 = Interrupt pending
4	TDO_INT_PEND	R/W	0	TDO has caused an interrupt ⁽¹⁾ 0 = No Interrupt detected (Default) 1 = Interrupt pending
3	FLT3_INT_PEND	R/W	0	FAULT[3] has caused an interrupt ⁽¹⁾ 0 = No Interrupt detected (Default) 1 = Interrupt pending
2	FLT2_INT_PEND	R/W	0	FAULT[2] has caused an interrupt ⁽¹⁾ 0 = No Interrupt detected (Default) 1 = Interrupt pending
1	FLT1_INT_PEND	R/W	0	FAULT[1] has caused an interrupt ⁽¹⁾ 0 = No Interrupt detected (Default) 1 = Interrupt pending
0	FLT0_INT_PEND	R/W	0	FAULT[0] has caused an interrupt ⁽¹⁾ 0 = No Interrupt detected (Default) 1 = Interrupt pending

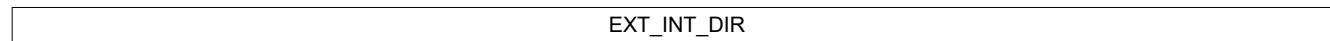
(1) Writing a 1 to a bit will clear the interrupt flag

7.7 External Interrupt Direction Register (EXTINTDIR)

Address FFF7FA20

Figure 7-7. External Interrupt Direction Register (EXTINTDIR)

0



R/W-0

LEGEND: R/W = Read/Write; R = Read only; -n = value after reset

Table 7-7. External Interrupt Direction Register (EXTINTDIR) Register Field Descriptions

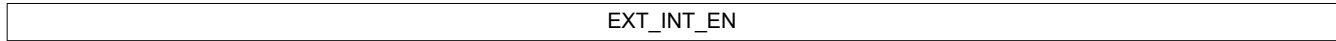
Bit	Field	Type	Reset	Description
0	EXT_INT_DIR	R/W	0	EXT-INT Pin Configuration 0 = EXT-INT pin configured as an input pin (Default) 1 = EXT-INT pin configured as an output pin

7.8 External Interrupt Input Register (EXTINTIN)

Address FFF7FA24

Figure 7-8. External Interrupt Input Register (EXTINTIN)

0



R-0

LEGEND: R/W = Read/Write; R = Read only; -n = value after reset

Table 7-8. External Interrupt Input Register (EXTINTIN) Register Field Descriptions

Bit	Field	Type	Reset	Description
0	EXT_INT_EN	R	0	Input Value of EXT-INT Pin 0 = EXT-INT pin driven low in GPIO mode 1 = EXT-INT pin driven high in GPIO mode

7.9 External Interrupt Output Register (EXTINTOUT)

Address FFF7FA28

Figure 7-9. External Interrupt Output Register (EXTINTOUT)

0

EXT_INT_OUT

R/W-0

LEGEND: R/W = Read/Write; R = Read only; -n = value after reset

Table 7-9. External Interrupt Output Register (EXTINTOUT) Register Field Descriptions

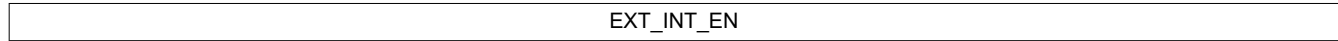
Bit	Field	Type	Reset	Description
0	EXT_INT_OUT	R/W	0	EXT-INT Pin Output Value 0 = EXT-INT pin driven low (Default) 1 = EXT-INT pin driven high

7.10 External Interrupt Enable Register (EXTINTENA)

Address FFF7FA34

Figure 7-10. External Interrupt Enable Register (EXTINTENA)

0



R/W-0

LEGEND: R/W = Read/Write; R = Read only; -n = value after reset

Table 7-10. External Interrupt Enable Register (EXTINTENA) Register Field Descriptions

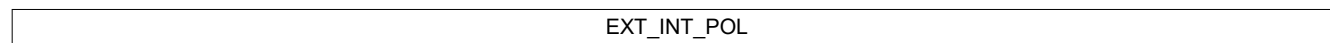
Bit	Field	Type	Reset	Description
0	EXT_INT_EN	R/W	0	EXT-INT Interrupt Enable 0 = Interrupt disabled for EXT-INT pin (Default) 1 = Interrupt enabled for EXT-INT pin

7.11 External Interrupt Polarity Register (EXTTINTPOL)

Address FFF7FA38

Figure 7-11. External Interrupt Polarity Register (EXTTINTPOL)

0



R/W-0

LEGEND: R/W = Read/Write; R = Read only; -n = value after reset

Table 7-11. External Interrupt Polarity Register (EXTTINTPOL) Register Field Descriptions

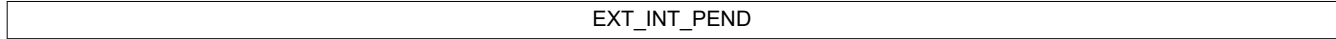
Bit	Field	Type	Reset	Description
0	EXT_INT_POL	R/W	0	EXT-INT Interrupt Polarity Select 0 = Interrupt generated on falling edge (Default) 1 = Interrupt generated on rising edge

7.12 External Interrupt Pending Register (EXTINTPEND)

Address FFF7FA3C

Figure 7-12. External Interrupt Pending Register (EXTINTPEND)

0



R/W-0

LEGEND: R/W = Read/Write; R = Read only; -n = value after reset

Table 7-12. External Interrupt Pending Register (EXTINTPEND) Register Field Descriptions

Bit	Field	Type	Reset	Description
0	EXT_INT_PEND	R/W	0	EXT-INT has caused an interrupt. Writing a 1 to a bit will clear the interrupt flag. 0 = No Interrupt detected (Default) 1 = Interrupt pending

7.13 References

1. UCD3138 ARM and Digital System Programmer's Manual ([SLUU996](#))
2. UCD3138 ARM and Digital System Programmer's Manual ([SLUU994](#))
3. UCD3138 Device Datasheet ([SLUSAP2](#))



The ADC 12 in UCD3138 digital controller is a 12 bit, high speed analog to digital converter. It comes equipped with the following features:

- Typical conversion speed of 267 ksp/s
- Conversions can range from 1 to 16 ADC channel conversions in any desired sequence
- Post conversion averaging capability, ranging from 4X, 8X, 16X or 32X samples
- Configurable triggering for ADC conversions from the following sources: firmware, DPWM rising edge, ADC_EXT_TRIG pin or Analog Comparator results
- Interrupt capability to embedded processor at completion of ADC conversion
- Six digital comparators on the first 6 channels of the conversion sequence using either raw ADC data or averaged ADC data
- Two 10 μ A current sources for excitation of PMBus addressing resistors
- Dual sample & Hold for accurate power measurement
- Internal temperature sensor for temperature protection and monitoring.

The control module, shown in [Figure 8-1](#), contains the control and conversion logic for auto-sequencing a series of conversions. The sequencing is fully configurable for any combination of 16 possible ADC channels through an analog multiplexer embedded in the ADC12 block. Once converted, the selected channel value is stored in the result register associated with the sequence number. Input channels can be sampled in any desired order or programmed to repeat conversions on the same channel multiple times during a conversion sequence. Selected channel conversions are also stored in the result registers in order of conversion, where the result 0 register is the first conversion of a 16-channel sequence and result 15 register is the last conversion of a 16-channel sequence. The number of channels converted in a sequence can vary from 1 to 16.

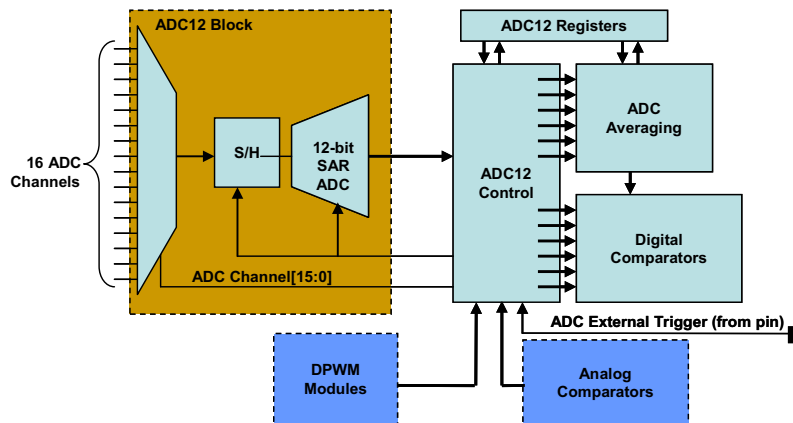


Figure 8-1. ADC12 Control Block Diagram

Unlike the EADC converters in the Digital Power Peripherals portion of UCD3138, which feature a substantially faster conversion rate and hence are primarily designed for closing high speed voltage/current feedback loops of the power supply, the ADC12 is not usually used for loop compensation purposes. The ADC12 features make it best suited for monitoring and detection of currents, voltages, temperatures and faults.

Unbuffered multiplexed input is a popular option in CMOS switched capacitor ADCs. Compared with buffered inputs, the power consumption of unbuffered option is much lower. But there exists several problems: First, in general, the input impedance of this kind of ADC is very high at low frequency range and rolls off when frequency gets higher. Second, in unbuffered multiplexed ADC, the charge injection from the internal sampling capacitors and network reflects a small amount of signal, which is packed with high frequency content back onto the front-end circuitry and incoming signal. This may cause settling errors for the elements connected to the analog inputs of the converter. Another problem is that all the sampling channels use the same S/H capacitor in a sequence, if the sampling speed is very high, the charge remain on the S/H capacitor of one conversion may affect the result of the next conversion channel.

8.1 ADC12 Input Impedance Model	306
8.2 ADC12 Impedance vs. Sampling Frequency Data	307
8.3 Effect of External Capacitance	308
8.4 Channel to Channel Crosstalk	308
8.5 Impedance Roll-Off Due to Crosstalk	308
8.6 ADC12 Control FSM	309
8.7 Conversion	309
8.8 Sequencing	311
8.9 Digital Comparators	311
8.10 ADC Averaging	312
8.11 Temperature Sensor	313
8.12 Temp Sensor Control Register (TEMPSENCTRL)	314
8.13 PMBus Addressing	315
8.14 Dual Sample and Hold	316
8.15 Usage of Sample and Hold Circuitry for High Impedance Measurement	317
8.16 ADC Configuration Examples	319
8.17 Useful C Language Statement Examples	323
8.18 ADC Registers	324

8.1 ADC12 Input Impedance Model

Figure 8-2 shows a simplified model of the input circuit of UCD3138 ADC12.

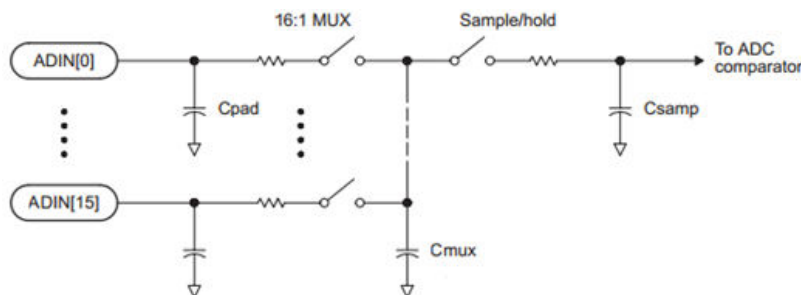


Figure 8-2. ADC12 Input Impedance Model

The first portion is a 16-to-1 multiplexer that selects the channel to be converted. The second portion is the sample and hold circuit that is controlled by the control block of ADC12. There are several factors to be considered in the ADC input path: the resistance of the CMOS switches and the capacitances associated with them; the leakage resistance, and the sample and hold capacitance.

The external components are also to be considered. Figure 8-3 shows the ADC input model of one channel containing the external circuit and the source impedance.

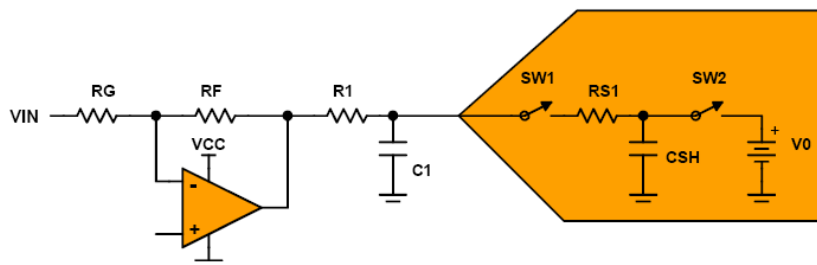


Figure 8-3. ADC Input Impedance Model Containing External Circuits

8.2 ADC12 Impedance vs. Sampling Frequency Data

The ADC12 channel impedance measurement setup is shown in Figure 8-4. Two 1Mohm resistors are connected as a voltage divider. Vsource is 2V DC. The ADC channel impedance is modeled as Z and in parallel with R2. The value of Z is calculated based on the voltage measured at node A. No external filtering capacitance is added to the ADC input channel.

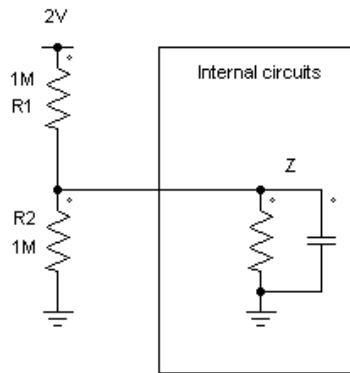


Figure 8-4. Impedance Test Setup

The ADC12 channel input impedance vs. sampling frequency data is shown in the Figure 8-5. At highest sampling frequency that UCD3138 ADC12 can, the input impedance is around 300kohm; at a sampling frequency of below 150kHz, the channel impedance is above 3Mohm. This data can be used as a general guideline of designing proper input R for the UCD3138 ADC12, or determine a proper operation frequency for a given R.

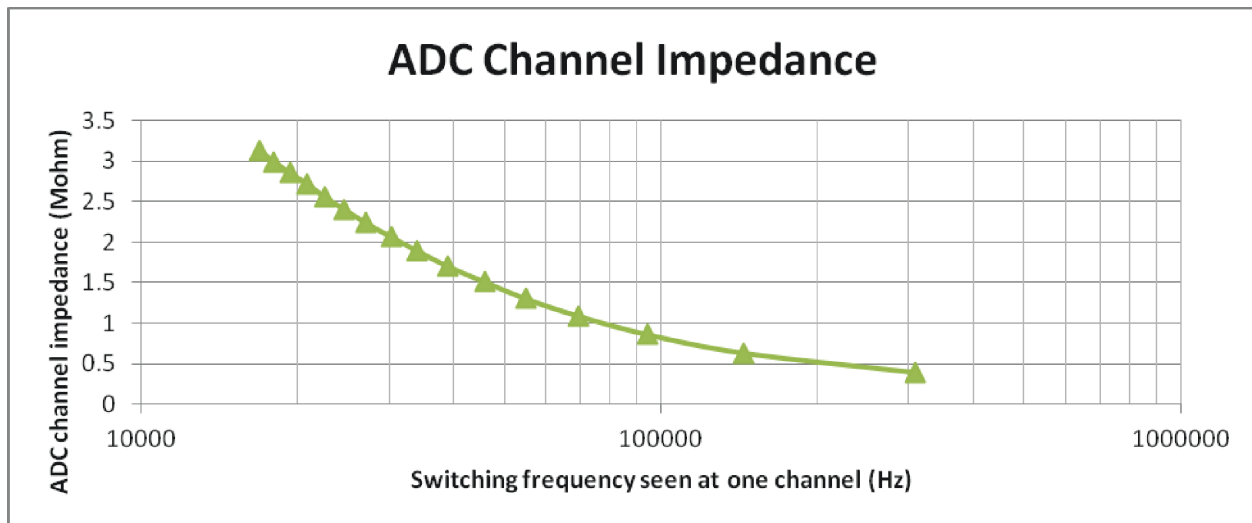


Figure 8-5. ADC12 Channel Impedance

Generally, ADC conversion should be done after the voltage on the S/H capacitor is charged up to less than 1/2 LSB error. But at high conversion speed and in the condition of large external R, it can be difficult to charge the S/H capacitor to within 1/2 LSB error in the allotted conversion time. That's the reason we see impedance rolls off.

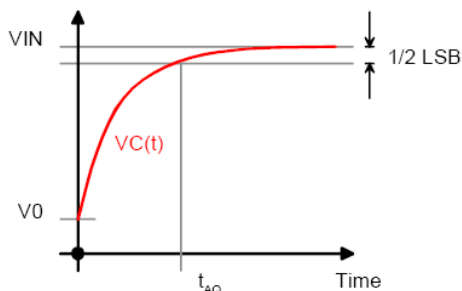


Figure 8-6. S/H Capacitor Charge vs. Settling Time

8.3 Effect of External Capacitance

The above experiment measures DC voltage without external filtering capacitor. In this chapter, the effect of external capacitance is discussed. It is obvious that the external capacitor affects the cutoff frequency of the first order filter; and this cut off frequency should be determined by the frequency range of the interested signal. But it may not be obvious that the external C also plays the role in adjusting the source impedance and should be determined by the sampling frequency of the ADC as well.

Take the above experiment setup as an example; if an external capacitor is added as shown in [Figure 8-7](#), the external impedance becomes smaller. Thus, larger external capacitance helps reducing the charge time and makes the measurement more accurate.

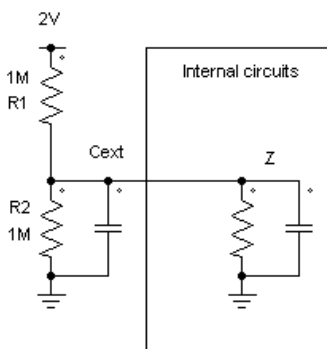


Figure 8-7. External Capacitance Makes Lower Source Impedance

8.4 Channel to Channel Crosstalk

The 16 multiplexed ADC channels share the same S/H capacitor. Channel to channel crosstalk is negligible when source impedance and sampling frequency are low. But when source impedance is high, channel to channel crosstalk can be observed easily.

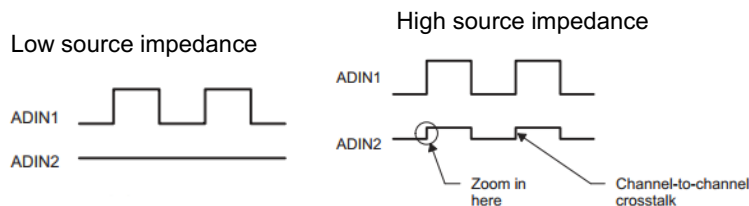


Figure 8-8. Channel to Channel Crosstalk

8.5 Impedance Roll-Off Due to Crosstalk

Except for the external and internal RC values, the initial charge V_0 on the S/H capacitor also affects the time needed to charge the S/H capacitor to the desired voltage level. If the source impedance is high, there is a large

time constant for the S/H capacitor to discharge. Thus the voltage remaining on the S/H capacitor will affect the next conversion.

Generally, for UCD3138, several ADC channels are used for different monitoring purposes. When designing the ADC input circuit, it is highly recommended to avoid high impedance node, because high impedance node may result in extra impedance roll-offs due to crosstalk.

8.6 ADC12 Control FSM

The ADC12 control Finite State Machine (FSM) module controls the conversion, sequencing and storing of converted ADC data based on the configuration set by firmware. Conversions are controlled by the FSM and initiated based on the selected trigger reference. Modes of operation for ADC12 conversion are highly configurable to suit the desired application.

8.7 Conversion

The ADC conversion is controlled by the ADC12 FSM that provides all the necessary control signals for the successive approximation register (SAR) ADC operation. The binary search algorithm, sampling time and bit timing are controlled by the state machine based on firmware configuration. 8 sample and hold timing configurations are provided to run the ADC12 at various sampling frequencies.

Address 0x00040000

Figure 8-9. ADC Control Register (ADCCTRL)

31						24							
EXT_TRIG_DLY													
R/W-0000 0000													
23			22		21		20		19		16		
EXT_TRIG _GPIO_VAL		EXT_TRIG _GPIO_DIR		EXT_TRIG _GPIO_EN		EXT_TRIG_EN		EXT_TRIG_SEL					
R/W-0		R/W-0		R/W-0		R/W-0		R/W-0000					
15			13			12		11		10		8	
ADC_SAMPLING_SEL				ADC_SEL_REF		ADC_ROUND		BYPASS_EN					
R/W-000				R/W-0		R/W-0		R/W-111					
7				4		3		2		1		0	
MAX_CONV						SINGLE _SWEEP		SW_START		ADC_INT_EN		ADC_EN	
R/W-0000						R/W-0		R/W-0		R/W-0		R/W-0	

LEGEND: R/W = Read/Write; R = Read only; -n = value after reset

Note

Even though the ADC12 sampling frequency is preset to 267 Ksps as default by setting the ADC_SAMPLINGSEL to zero, in order to achieve the best measurement results it is recommended to set the sampling rate to 267 Ksps by setting the ADC_SAMPLINGSEL to 6:

```
AdcRegs.ADCCTRL.bit.ADC_SAMPLINGSEL = 6; // Means: ADC sampling rate is set to 267 KS/s
```

8.8 Sequencing

The ADC12 FSM can “auto-sequence” up to 16 conversions of any combination of ADC channels in a single sequence configuration. The result of each conversion is stored into 16 ADC result registers, representing the raw ADC data. The desired ADC channel for each sequenced conversion is programmed into the ADC sequence select registers. Any of the 16 ADC channels can be programmed into one of the conversion slots configured by the ADC Sequence Select Registers. Also, it is possible to program the same ADC channel into multiple or all of the conversion slots for a given sequence. The conversion sequence always starts with the programmed ADC channel in ADC Sequence Select Register 0 (Bits 3:0). Conversions will continue until the configured number of maximum conversions is reached.

The sequencer can be triggered by the firmware or through a multitude of external trigger sources. The external trigger sources include the rising edge of any DPWM output, any of the 7 Analog Comparator results or the external ADC_EXT_TRIG pin (allowing trigger from off device). Additionally, the sequencer can be configured to perform a single sequence or continually start the sequence of the external trigger source. The sequencer can also be enabled to generate an interrupt to the embedded processor at the end of a sequence.

The start of the sequencer can be delayed from the receipt of an external trigger. A counter within the ADC12 Control Finite State Machine will delay the start of the sequence based on a programmable delay configured by firmware. After the delay, the sequencer will start the conversions. For example, in order to initiate a sequence of measurements 128ns after the ADC_EXT_TRIG pin trips, the following setting should be applied.

```

AdcRegs.ADCCTRL.bit.EXT_TRIG_SEL = 8; // ADC_EXT_TRIG pin triggers the conversion
AdcRegs.ADCCTRL.bit.EXT_TRIG_DLY = 8; // 8 times 16 ns delay after the pin toggling
AdcRegs.ADCCTRL.bit.EXT_TRIG_EN = 1; // Enable ADC-12 triggering via external sources

```

Channel Mapping - The ADC12 is utilized to measure both internal and external voltage signals. The 16 inputs to the ADC12 block are referred to by channel numbers. 14 of the ADC Channels are connected to external pins. The remaining 2 channels are tied to an internal temperature sensor and an internal test channel. The following table details the channel mapping utilized on UCD3138.

Channel Number	Internal/External Signal	Description
0	AD-00	GP Analog Input to ADC12
1	AD-01	GP Analog Input to ADC12
2	AD-02	GP Analog Input to ADC12
3	AD-03	GP Analog Input to ADC12
4	AD-04	GP Analog Input to ADC12
5	AD-05	GP Analog Input to ADC12
6	AD-06	GP Analog Input to ADC12
7	AD-07	GP Analog Input to ADC12
8	AD-08	GP Analog Input to ADC12
9	AD-09	GP Analog Input to ADC12
10	AD-10	GP Analog Input to ADC12
11	AD-11	GP Analog Input to ADC12
12	AD-12	GP Analog Input to ADC12
13	AD-13	GP Analog Input to ADC12
14	Temp Sensor	Internal Temperature Sensor
15	Test Channel	Internal Test Channel (Test Use Only)

8.9 Digital Comparators

The ADC12 control module provides 6 Digital comparators that can be utilized to compare either raw ADC data or averaged ADC data against programmable high and low thresholds. The first 6 conversion result registers (ADC Result Registers 0-5) or the first 6 conversion averaged result registers (ADC Averaged Result Registers

0-5) of the ADC sequence are tied to the 6 Digital Comparators. Therefore, for any signals requiring auto limit monitoring, the user must use these 6 ADC conversion slots for monitoring of those signals. All 12 bits of conversion result are used for comparison. The Digital Comparators provide 12 status bits for monitoring, two from each ADC result comparison. These status bits indicate whether the ADC result is higher or equal to the Limit High threshold or if it is lower or equal to the Limit Low threshold.

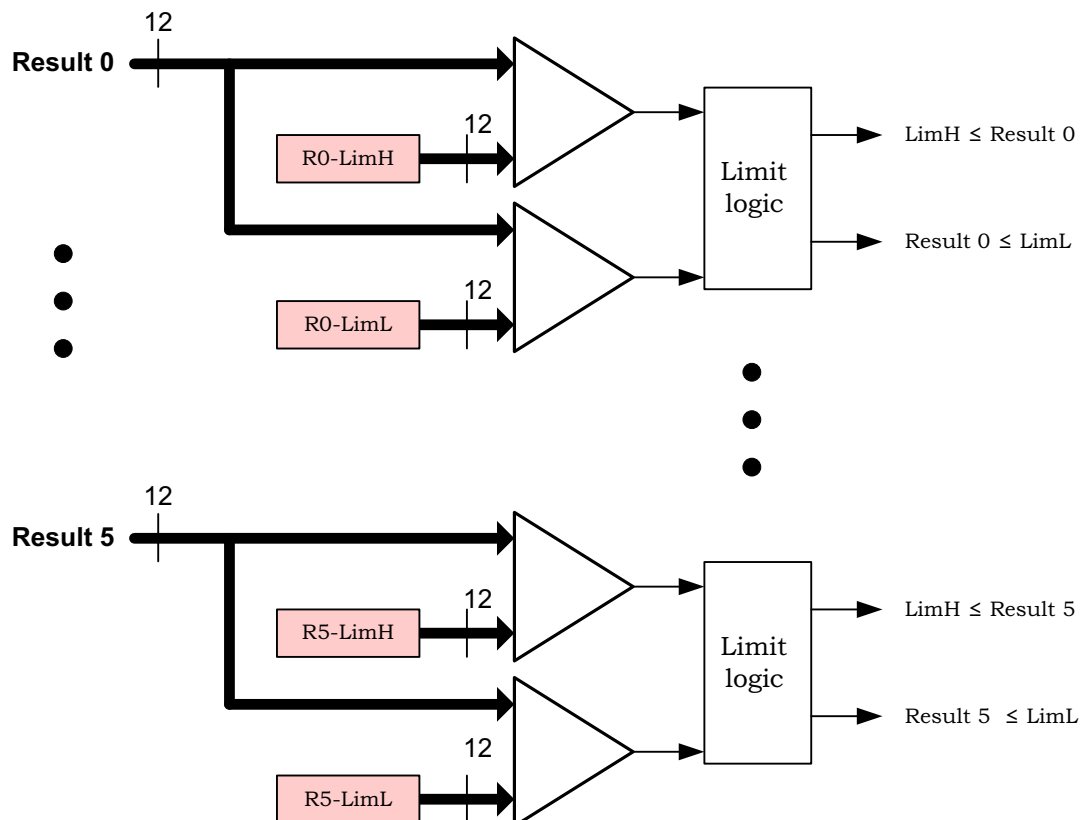


Figure 8-10. UCS3138 Digital Comparators Control Block Diagram

Note

The ADCCOMPRESULT provide both raw (non-latched) and latched comparator output results. There is no need to enable the bits DCOMPx_LO_INT_EN or DCOMPx_UP_INT_EN in order for the DCOMPx_LO_INT or DCOMPx_UP_INT to trip.

The latched results are clear on read and the first read of the ADCCOMPRESULT will clear all latched values. For example, both statements below will clear all of the latched results.

```
int scrap;
scrap = AdcRegs.ADCCOMPRESULT.all;
or
scrap = AdcRegs.ADCCOMPRESULT.bit.DCOMP3_LO_INT;
```

8.10 ADC Averaging

The ADC12 control provides capability for averaging of ADC results. The averaging module utilizes a modified moving average (**MMA**) algorithm, to reduce hardware resources and avoid the need to store up to 32 ADC samples per result. Averaging is provided on the first 6 result registers (ADC Result Register 0-5). Averaged ADC results can be read by firmware in the ADC Averaged Result Registers following completion of an ADC conversion sequence.

Modified Moving Average (**MMA**) algorithm is a type of IIR filter defined by the following equation:

$$Y[n] = X[n] / N + Y[n - 1] * (N - 1) / N \quad (5)$$

where

- X[n] is the new sample
- Y[n] is the average value
- N is the number of averaged samples

Firmware can select from 4 options for ADC averaging (4X, 8X, 16X, 32X):

- 4-sample moving average: 1/4 of current sample and 3/4 of previous average
- 8-sample moving average: 1/8 of current sample and 7/8 of previous average
- 16-sample moving average: 1/16 of current sample and 15/16 of previous average
- 32-sample moving average: 1/32 of current sample and 31/32 of previous average

The averaging result register is stored immediately following the calculation of the moving average. Upon receipt of the next ADC sample, the ADC sample value and current moving average are used for calculation of the next moving average. In addition, 5 fractional bits from the moving average calculation are stored for use in the next moving average calculation. These fractional bits ensure better accuracy of the moving average over time.

Note

No oversampling or decimation is used during the averaging process. The average value is calculated over several separate consecutive sequences of conversion. Therefore the non averaged result is always more responsive than the averaged result.

8.11 Temperature Sensor

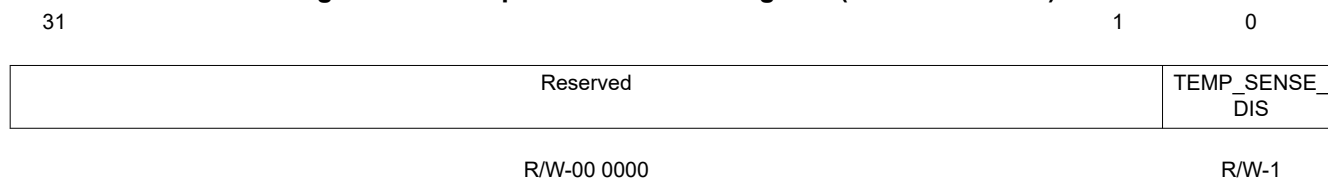
The ADC-12's channel-14 is internally connected to a temperature sensor. The internal sensor may be used for purposes like overtemperature protection and/or temperature compensation of control related parameters like voltage reference or switching frequency. Some applications may require additional external temperature sensor/s for measurement of switching stage temperature/s and for copper trace current sensing temperature compensation.

In order to activate the internal temperature sensor the following bit in TEMPSCTRL register at [Chapter 8](#) need to be cleared.

```
MiscAnalogRegs.TEMPSCTRL.bit.TEMP_SENSE_DIS = 0;
```

8.12 Temp Sensor Control Register (TEMPSENCTRL)

Address FFF7F02C

Figure 8-11. Temp Sensor Control Register (TEMPSENCTRL)


LEGEND: R/W = Read/Write; R = Read only; -n = value after reset

Table 8-1. Temp Sensor Control Register (TEMPSENCTRL) Register Field Descriptions

Bit	Field	Type	Reset	Description
31-1	Reserved	R/W	00 0000	
0	TEMP_SENSE_ DIS	R/W	1	Temperature Sensor Disable 0 = Enables Temperature Sensor 1 = Disables Temperature Sensor (Default)

CAUTION

Writing into the reserved bits is NOT RECOMMENDED since it is likely to have an adverse effect on the normal operation of Temperature Sensor. In the process of Clearing (or setting) the **TEMP_SENSE_DIS** bit, the other bits in the register need to remain intact. Therefore it is recommended to use a read-modify-write technique to clear or set this bit.

8.13 PMBus Addressing

UCD3138 offers two constant current sources for excitation of resistors used for setting the PMBus address, as shown in Figure 8-13. The two current sources are connected to CH-0 and CH-1 of ADC-12 and are disabled as default. The nominal current is preset to 10 μ A.

To activate these current sources the following bits in PMBCTRL3 register in **PMBUS registers section** need to be set.

```
PMBusRegs.PMBCTRL3.bit.IBIAS_A_ENA = 1;
PMBusRegs.PMBCTRL3.bit.IBIAS_B_ENA = 1;
```

8.13.1 PMBus Control Register 3 (PMBCTRL3)

Address FFF7F620

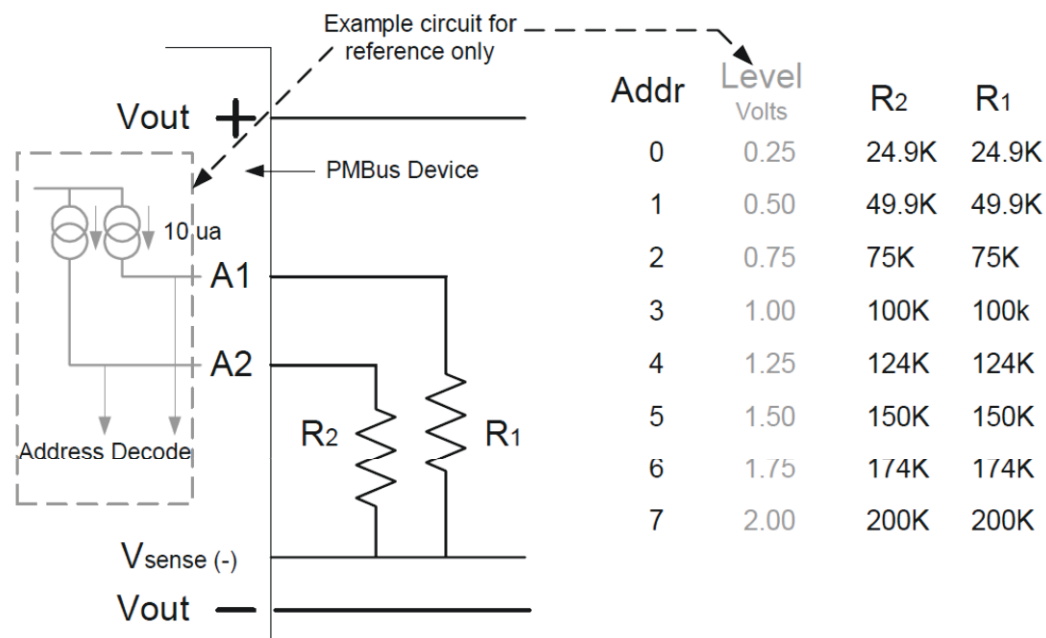
Figure 8-12. PMBus Control Register 3 (PMBCTRL3)

	20	19	18	17	16	15
CLK_LO_DIS	IBIAS_B_EN	IBIAS_A_EN	SCL_DIR	SCL_VALUE	SCL_MODE	
R/W-0	R/W-0	R/W-0	R/W-0	R/W-0	R/W-0	R/W-0

LEGEND: R/W = Read/Write; R = Read only; -n = value after reset

Table 8-2. PMBus Control Register 3 (PMBCTRL3) Register Field Descriptions

Bit	Field	Type	Reset	Description
20	CLK_LO_DIS	R/W	0	
19	IBIAS_B_EN	R/W	0	PMBus Current Source B Control 0 = Disables Current Source for PMBUS address detection thru ADC (Default) 1 = Enables Current Source for PMBUS address detection thru ADC
18	IBIAS_A_EN	R/W	0	PMBus Current Source A Control 0 = Disables Current Source for PMBUS address detection thru ADC (Default) 1 = Enables Current Source for PMBUS address detection thru ADC
17	SCL_DIR	R/W	0	
16	SCL_VALUE	R/W	0	
15	SCL_MODE	R/W	0	


Figure 8-13. PMBus Addressing

8.14 Dual Sample and Hold

The Dual Sample and Hold is primarily designed to support accurate measurement of electrical power in AC/DC converters. Sampling of both current and voltage signal simultaneously will provide no delay in the measurement sequence in order to increase the measurement precision. This feature can be turned on via clearing of bit-8 through bit-10 in ADCCTRL register. It is worth noting that this mechanism can not hold more than a single voltage at a time.

The operation and configuration of Dual sample and hold is as follows:

- Dual sample and hold provides simultaneous sampling of two ADC inputs. This is simply done by sampling and holding one channel exactly at the time a second channel is sampled for conversion and converting the sample and hold channel at a later event in the current measurement sequence.
- Channels 2, 1 and 0 are the ONLY channels with sample and hold capability. These channels can be sampled simultaneously with certain other “converting channels”.
- Only One “Dual sample and hold channel” can be selected per ADC sequence. Selection of this single channel is controlled by bypass firmware controlled bits and shown in [Table 8-3](#). In other words only one of the channels (0, 1 and 2) can be held for upcoming “Dual Sample Measurement”.

Table 8-3. Selection of “Dual Sample and Hold” Channel

BYPASS_EN[2]	BYPASS_EN[1]	BYPASS_EN[0]	BYPASS_EN[2:0] value in hex	Selected Dual Sample/ Hold Channel
1	1	0	0x6	Channel 0
1	0	1	0x5	Channel 1
0	1	1	0x3	Channel 2

- From this table, it can be seen that the location of the “moving zero” determines the number of selected channel. Since only one channel at a time can be selected, the only valid values for BYPASS_EN[2:0] are 6, 5 and 3.
- The “Dual Sampled Channel” must be placed in the sequence anywhere after the “converting channel”.
- Simultaneous sampling of the “Converted channel” with the “sample and hold channel” is determined by setting the bits SEQ0_SH, SEQ2_SH and SEQ04_SH in ADCSEQSEL registers. For example if SEQ4_SH is set, then one of the channels (0, 1 or 2) will be sampled together with channel 4 sampling time.
- Only channels CH0, CH2 and CH4 can be selected as “Converting channels” in UCD3138. Therefore setting of SEQx_SH bits on any channel other than CH-0, CH-2 and CH-4 is not effective.

8.14.1 ADC Control Register (ADCCTRL)

Address 0x00040000

Figure 8-14. ADC Control Register (ADCCTRL)

12	11	10	8	7	4
ADC_SEL_REF	ADC_ROUND	BYPASS_EN		MAX_CONV	
R/W-0	R/W-0	R/W-111		R/W-0000	

LEGEND: R/W = Read/Write; R = Read only; -n = value after reset

Table 8-4. ADC Control Register (ADCCTRL) Register Field Descriptions

Bit	Field	Type	Reset	Description
12	ADC_SEL_REF	R/W	0	
11	ADC_ROUND	R/W	0	
10-8	BYPASS_EN	R/W	111	Bypasses the dual sample and hold circuitry, Bit 10 controls ADC Channel 2, Bit 9 controls ADC Channel 1 and Bit 8 controls ADC Channel 0 0 = Enables the Dual Sample and Hold circuitry 1 = Disables the Dual Sample and Hold circuitry (Default)
7-4	MAX_CONV	R/W	0000	

8.15 Usage of Sample and Hold Circuitry for High Impedance Measurement

In UCD3138, there is another solution to this problem: use dual sample and hold circuitry. The dual sample and hold circuitry are designed to enable the sampling of two channels together, thus it’s suitable for power measurement, which requires that the sampling of voltage and current are in phase. There is only one conversion unit in UCD3138 ADC. But there are two S/H units to enable dual sample and hold function. The first one is the normal one we used for all channels. The second one shown in [Figure 8-15](#) is the dual sample and hold S/H. If dual sample and hold function is enabled, two S/H units will work simultaneously. There is an S/H buffer inside the circuitry which makes the source impedance much lower. Thus this circuitry can be used for high impedance node measurement as well.

SEQx = y selects channel y to be converted in sequence x of the first S/H unit.

SEQx_SH = 1 enables the dual sample and hold S/H to sample at the same time as channel y.

BYPASS_EN selects the dual sample and hold channel. This register has 3 bits. 1 means bypass and 0 means connect to the S/H buffer. As shown in [Figure 8-15](#).

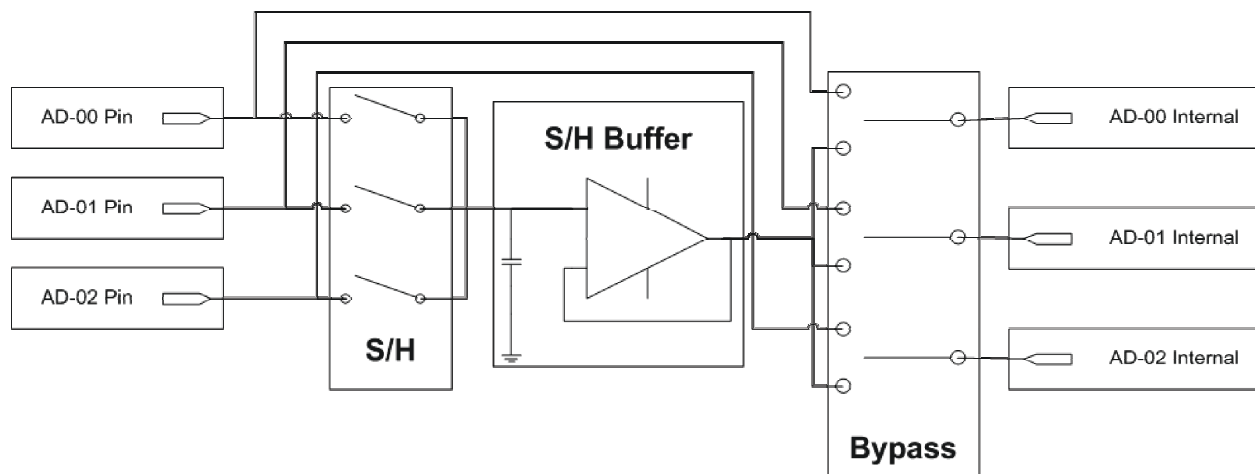

Figure 8-15. Dual Sample and Hold Circuitry in ADC12

Figure 8-16 shows the ADC12 dual sample and hold configuration table and operation principles.

- 1) Provides Simultaneous Sampling of Two ADC inputs.
- 2) Channels 2,1 and 0 have Dual Sample Capability
- 3) Dual Sample can be issued when Converting Channel 4, Channel 2 or Channel 0 in the sequence.
- 4) Only One "Dual Sample measurement" can be made per ADC sequence. Controlled by bypass firmware controlled bits.
- 5) The "Dual Sampled Channel" must be in the sequence anywhere after the "Converting Channel"

Converting Channel	BYPASS_EN[2:0]	Dual Sample/Hold Channel
Channel 4 SEQ_SH[x] = 1'b1 SEQ[x] = 0x04	0x3	Channel 2
	0x5	Channel 1
	0x6	Channel 0
Channel 2 SEQ_SH[x] = 1'b1 SEQ[x] = 0x02	0x5	Channel 1
	0x6	Channel 0
Channel 0 SEQ_SH[x] = 1'b1 SEQ[x] = 0x00	0x3	Channel 2
	0x5	Channel 1

Where "X" is the Conversion number in the ADC Sequence

Figure 8-16. ADC12 Dual Sample and Hold Configuration

Here is an application example:

To use AD01 on high impedance node:

```
BYPASS_EN = 5; // select AD01 as dual sample and hold channel. A buffer will be added to AD01
SEQ0 = 4; //put AD04 on sequence 0
```

```
SEQ0_SH = 1; //enable AD04 to do dual sample and hold with AD01
SEQ1 = 1; //put AD01 on sequence1
```

8.15.1 C Code Example

The following example code demonstrates how to configure the ADC 12 for dual sample and hold operation. In this example AD04 and AD00 are configured to measure simultaneously.

```
void init_ADC_polled(void)
{
  AdcRegs.ADCCTRL.bit.MAX_CONV = 2; // A total of 3 measurements
  AdcRegs.ADCCTRL.bit.SINGLE_SWEEP = 1;
  AdcRegs.ADCCTRL.bit.ADC_EN = 1;
  AdcRegs.ADCSEQSEL0.bit.SEQ0 = 4; // First measure AD04
  AdcRegs.ADCSEQSEL0.bit.SEQ1 = 3; // Second measure AD03
  AdcRegs.ADCSEQSEL0.bit.SEQ2 = 0; // Third measure AD00
  AdcRegs.ADCSEQSEL0.bit.SEQ0_SH = 1;
  // Sample and Hold AD04 for simultaneous measurement with a following channel
  AdcRegs.ADCCTRL.bit.BYPASS_EN = 6;
  // 6 is "110 in binary", which means AD00 is the
  // following/Converting channel that is measured together with AD04
}
```

8.16 ADC Configuration Examples

8.16.1 Software Initiated Conversions

The following example code demonstrates how to configure ADC12 to initiate a sequence of conversions triggered by software.

Requirement: 10 conversions need to be sequenced during a single session with triggering done via firmware. The required channels are as follows: Conversions = 09, 10, 02, 02, 02, 04, 04, 04, 12 and 14. Here the maximum number of conversion is set to 9 and the ADC Sequence Select Register is configured to:

	Bits	Field Name	Channel Select Value
SEQCHSEL0	4:0	SEQ00	9
	9:5	SEQ01	10
	14:10	SEQ02	2
	Bits	Field Name	Channel Select Value
SEQCHSEL1	4:0	SEQ03	2
	9:5	SEQ04	2
	14:10	SEQ05	4
	Bits	Field Name	Channel Select Value
SEQCHSEL2	4:0	SEQ06	4
	9:5	SEQ07	4
	14:10	SEQ08	12
	Bits	Field Name	Channel Select Value
SEQCHSEL3	4:0	SEQ09	14
	9:5	SEQ10	X
	14:10	SEQ11	X

A conversion session is initiated by firmware writing to the software start bit (SW_START) in the ADC control register. When the sequence completes all the requested conversions, the sequencer sits idle waiting for another software start bit transition from 0 to 1. The conversion results are placed in the ADC result buffers.

Buffer Registers	ADC Conversion Result
RESULT-00	ADC-09
RESULT-01	ADC-10

Buffer Registers	ADC Conversion Result
RESULT-02	ADC-02
RESULT-03	ADC-02
RESULT-04	ADC-02
RESULT-05	ADC-04
RESULT-06	ADC-04
RESULT-07	ADC-04
RESULT-08	ADC-12
RESULT-09	ADC-14
RESULT-10	X
RESULT-11	X
RESULT-12	X
RESULT-13	X
RESULT-14	X
RESULT-15	X

8.16.2 Single Sweep Operation

The following example code demonstrates how to configure (initialize) the ADC-12 for a start stop software initiated operation.

Requirement: Configure the ADC-12 in single weep mode and then periodically read the conversion results and start a new measurement sequence immediately after the read of results.

The function `init_ADC_polled()`; configures the number of conversions in a single sweep sequence, sets the order of channels within the sequence and configures the post conversion averaging setting for each measurement.

```
void init_ADC_polled(void)
{
  AdcRegs.ADCCTRL.bit.MAX_CONV = 6;          // A total of 7 conversions
  AdcRegs.ADCCTRL.bit.SINGLE_SWEEP = 1;
  AdcRegs.ADCCTRL.bit.ADC_EN = 1;
  AdcRegs.ADCSEQSEL0.bit.SEQ0 = 3;          // Vout-AD03
  AdcRegs.ADCSEQSEL0.bit.SEQ1 = 2;          // Iout-AD02
  AdcRegs.ADCSEQSEL0.bit.SEQ2 = 4;          // Ipri-AD04
  AdcRegs.ADCSEQSEL0.bit.SEQ3 = 5;          // Ishare-AD05
  AdcRegs.ADCSEQSEL1.bit.SEQ4 = 6;          // Vin voltage sensing
  AdcRegs.ADCSEQSEL1.bit.SEQ5 = 7;          // Copper-Temp-AD12
  AdcRegs.ADCSEQSEL1.bit.SEQ6 = 8;          // Ext-Temp-AD08
  AdcRegs.ADCAVGCTRL.bit.AVG0_CONFIG = 2;   // Average 16 samples
  AdcRegs.ADCAVGCTRL.bit.AVG0_EN = 1;      // Module0 averaging enabled
  AdcRegs.ADCAVGCTRL.bit.AVG1_CONFIG = 2;   // Average 16 samples
  AdcRegs.ADCAVGCTRL.bit.AVG1_EN = 1;      // Module1 averaging enabled
  AdcRegs.ADCAVGCTRL.bit.AVG2_CONFIG = 2;   // Average 16 samples
  AdcRegs.ADCAVGCTRL.bit.AVG2_EN = 1;      // Module2 averaging enabled
  AdcRegs.ADCAVGCTRL.bit.AVG3_CONFIG = 2;   // Average 16 samples
  AdcRegs.ADCAVGCTRL.bit.AVG3_EN = 1;      // Module3 averaging enabled
  AdcRegs.ADCAVGCTRL.bit.AVG4_CONFIG = 2;   // Average 16 samples
  AdcRegs.ADCAVGCTRL.bit.AVG4_EN = 1;      // Module4 averaging enabled
  AdcRegs.ADCAVGCTRL.bit.AVG5_CONFIG = 2;   // Average 16 samples
  AdcRegs.ADCAVGCTRL.bit.AVG5_EN = 1;      // Module5 averaging enabled
}
```

The function `poll_adc()`; is reading the measurement results after it verifies that the conversion of last sequence is concluded. The function also starts a new sequence of measurements that can be read when the function is called next time.

Note

The raw (not averaged) result of AD07 is being read here.

```
void poll_adc(void)
{
if(AdcRegs.ADCSTAT.bit.ADC_INT == 1) //If the conversion isn't complete
{
adc_values.vout = AdcRegs.ADCAVGRESULT[0].bit.RESULT; // AD01
adc_values.isec = AdcRegs.ADCAVGRESULT[1].bit.RESULT; // AD02
adc_values.i_pri = AdcRegs.ADCAVGRESULT[2].bit.RESULT; // AD04
adc_values.ishare = AdcRegs.ADCAVGRESULT[3].bit.RESULT; // AD05
adc_values.vin = AdcRegs.ADCAVGRESULT[4].bit.RESULT; // AD05
adc_values.current_temp = AdcRegs.ADCAVGRESULT[5].bit.RESULT; // AD12
adc_values.temp_sense = AdcRegs.ADCRESULT[6].bit.RESULT; // AD07
}
AdcRegs.ADCCTRL.bit.SW_START = 1; // trigger anew measurement sequence
}
```

Now poll_adc(); can be called from any part of the code that is periodically executed. In this example the function call is placed in the standard interrupt which is invoked by a timer interrupt in 100µs intervals. Since conversion of a sequence of 6 measurements will require less than 30µs, the verification of end of conversion is not really required.

```
#pragma INTERRUPT(standard_interrupt,IRQ)
void standard_interrupt(void)
{
poll_adc();
}
```

8.16.3 Auto-Triggered Conversions

A conversion sequence may also be initiated via external triggers without firmware initiation. Sources of external triggering include the DPWM outputs, the analog comparators and the ADC_EXT_TRIG pin. The sequencer operation is defined by the external trigger enable bit in the ADC Control Register. The single sweep bit can set the sequencer in one of two modes, (1) start/stop or (2) continuous conversion on the external trigger event. Some key points to note:

- Only one external trigger can be enabled
- A software trigger via the embedded processor is also regarded as a valid trigger
- If an external trigger event occurs but the current sequence has not been completed, the event is skipped until the next trigger event occurs when the sequencer is ready

8.16.4 Continuous Conversions

Here the sequencer is synchronized to a DPWM trigger separated in time. This operating mode is nothing more than the previous example, but with the sequencer allowed to be re-triggered without being reset to the initial state of seq00.

Requirement: Auto convert 6 currents (I₁, I₂, ... I₆) every 100µs synchronized to the external trigger.

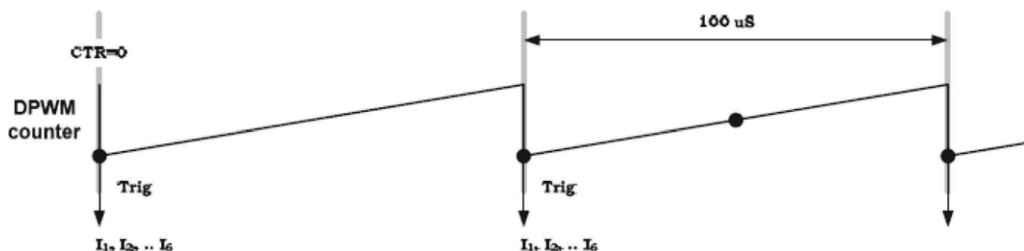


Figure 8-17.

The maximum number of conversions is set to 5 and the sequence select register is set as shown in the following table. Note for convenience, I₁, I₂, ...etc are used to represent the sequence select value.

	Bits	Field Name	Channel Select Value
SEQCHSEL0	4:0	SEQ00	I ₁
	9:5	SEQ01	I ₂
	14:10	SEQ02	I ₃
	Bits	Field Name	Channel Select Value
SEQCHSEL1	4:0	SEQ03	I ₄
	9:5	SEQ04	I ₅
	14:10	SEQ05	I ₆
	Bits	Field Name	Channel Select Value
SEQCHSEL2	4:0	SEQ06	X
	9:5	SEQ07	X
	14:10	SEQ08	X
	Bits	Field Name	Channel Select Value
SEQCHSEL3	4:0	SEQ09	X
	9:5	SEQ10	X
	14:10	SEQ11	X

Once reset and initialized, the sequencer waits for an external trigger. At the 1st trigger, six conversions (sequence select values of SEQ00(I₁), SEQ01(I₂), SEQ02(I₃), SEQ03(I₄), SEQ04(I₅) and SEQ05(I₆)) are performed. At the end of the auto-conversion session, the ADC result registers have the following values:

Buffer Registers	ADC Conversion Result
RESULT-00	I ₁
RESULT-01	I ₂
RESULT-02	I ₃
RESULT-03	I ₄
RESULT-04	I ₅
RESULT-05	I ₆

Note at this point, the sequencer remains at its current state waiting for another trigger.

8.16.5 Start/Stop Operation (External Trigger)

Here the sequencer is synchronized to the start of an external trigger. At the end of the conversion sequence, when the maximum number of conversions has occurred, the sequencer performs only a single sweep of conversions.

Requirement: Automatically convert 4 voltages (V₁/V₂/V₃/V₄) every 100us synchronized to an external trigger. In this example, the maximum number of conversions is set to 3 and the sequence select registers are set as follows:

	Bits	Field Name	Channel Select Value
SEQCHSEL0	4:0	SEQ00	V ₁
	9:5	SEQ01	V ₂
	14:10	SEQ02	V ₃

	Bits	Field Name	Channel Select Value
SEQCHSEL1	4:0	SEQ03	V ₄
	9:5	SEQ04	X
	14:10	SEQ05	X

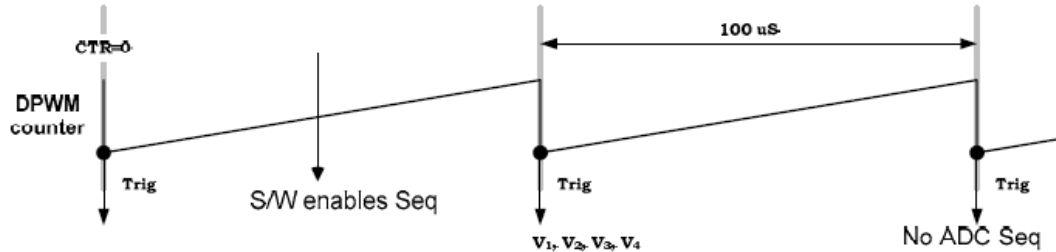


Figure 8-18.

8.17 Useful C Language Statement Examples

```

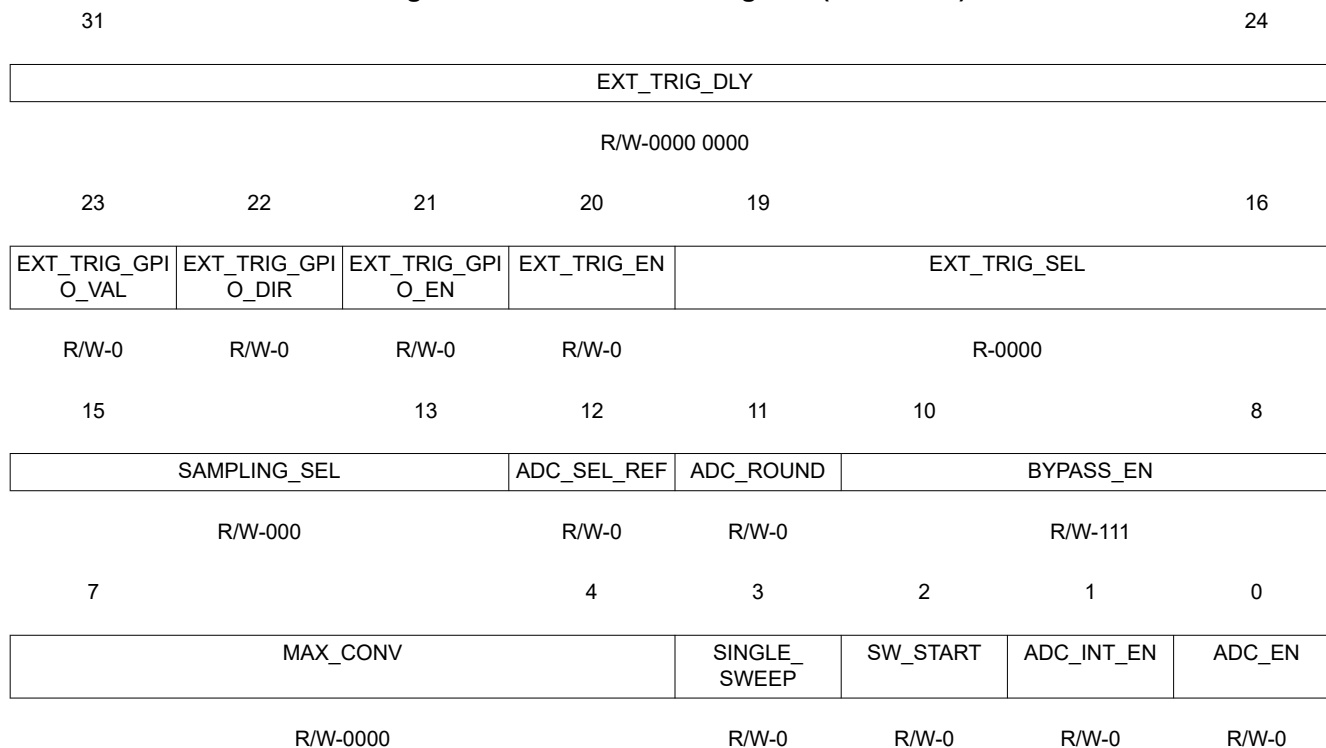
#define ADCCTRL_SINGLE_SWEEP      8
#define ADCCTRL_MAXCONV_SHIFT    4
#define ADCCTRL_ADC_ENA          1
#define ADCCOMPEN_COMP0_EN       1
#define ADCCOMPEN_COMP3_EN       8
#define ADCCOMPEN_COMP5_EN       0x20
int Temporary;
AdcRegs.ADCCTRL.all = ADCCTRL_SINGLE_SWEEP + (7 << ADCCTRL_MAXCONV_SHIFT) + ADCCTRL_ADC_ENA;
AdcRegs.ADCAVGCTRL.bit.AVG2_EN = 1;
// Means: Averaging on the result of the third measurement in the sequence is enabled
AdcRegs.ADCAVGCTRL.bit.AVG2_CONFIG = 2;
// Means: The third sequence result will undergo moving average of 16 samples
AdcRegs.ADCSEQSEL0.bit.SEQ0 = 15;
//Means that channel 15 (the very last input channel) is selected as the very first measurement in
the measurement sequence.
AdcRegs.ADCSEQSEL1.all = 5 + (6 << 5) + (7 << 10)
//Means, the channels 5, 6 and 7 are set to be the fifth, sixth and the seventh (SEQ4 to SEQ6)
respectively in the measurement sequence.
AdcRegs.ADCCTRL.bit.SW_START = 1;
//Means; the ADC is instructed to start a new conversion sequence
AdcRegs.ADCCTRL.bit.ADC_INT_EN = 1; // Means: enable interrupt at local ADC level
CimRegs.REQMASK.bit.REQMASK_ADC_CONV =1; // Means: Enable ADC interrupt at CPU level.
if (AdcRegs.ADCSTAT.bit.ADC_INT == 1) // Means; if ADC measurement completed.
Temporary = AdcRegs.ADCCTRL.all; // Means :read and clear completion flags
Temporary = AdcRegs.ADCRESULT[3].all; // Read the fourth raw ( non averaged) result register
Temporary = AdcRegs.ADCAVGRESULT[0].all; // Read the first averaged result register
if (AdcRegs.ADCCOMPRESULT.bit.DCOMP0_LO_RAW == 1)
//Means: if the lower limit is exceeded on the first comparator
AdcRegs.ADCCOMPEN.all = ADCCOMPEN_COMP0_EN + ADCCOMPEN_COMP3_EN + ADCCOMPEN_COMP5_EN;
//Means : Enable the first, the fourth and the sixth digital comparators.
AdcRegs.ADCCOMPEN.bit.COMP5_EN = 1;
// Enable the sixth digital comparison mechanism
AdcRegs.ADCCOMPEN.bit.COMP4_DATA_SEL = 1;
//Means: The fifth comparator is configured to compare the average data from ADC12 and not the raw
data
AdcRegs.ADCCOMPEN.bit.COMP3_UP_INT_EN = 1;
// Means: Enable Digital comparator 3 interrupt when exceeding upper limit at Local level
AdcRegs.ADCCOMPLIM[5].bit.LOWER_LIMIT = 0x0FA;
// Sets the lower limit to be compared to the sixth result register
//C Note: bit does not necessarily mean one bit, but a bits field of any length
CimRegs.REQMASK.bit.REQMASK_DIGI_COMP =1;
// Means: Enable Digital comparator interrupt at CPU(CIM) level.

```

8.18 ADC Registers

8.18.1 ADC Control Register (ADCCTRL)

Address 00040000

Figure 8-19. ADC Control Register (ADCCTRL)


LEGEND: R/W = Read/Write; R = Read only; -n = value after reset

Table 8-5. ADC Control Register (ADCCTRL) Register Field Descriptions

Bit	Field	Type	Reset	Description
31-24	EXT_TRIG_DLY	R/W	0000 0000	8-bit External ADC Trigger Delay configuration, LSB bit resolution equals period of ADC Clock (High Frequency Oscillator Frequency divided by 4)
23	EXT_TRIG_GPIO_VAL	R/W	0	Output value of ADC_EXT_TRIG pin when configured in GPIO mode 0 = ADC_EXT_TRIG pin driven low (Default) 1 = ADC_EXT_TRIG pin driven high
22	EXT_TRIG_GPIO_DIR	R/W	0	Direction of ADC_EXT_TRIG pin when configured in GPIO mode 0 = ADC_EXT_TRIG pin configured as input (Default) 1 = ADC_EXT_TRIG pin configured as output
21	EXT_TRIG_GPIO_EN	R/W	0	Configuration of ADC_EXT_TRIG pin 0 = ADC_EXT_TRIG pin configured in functional mode (Default) 1 = ADC_EXT_TRIG pin configured in GPIO mode
20	EXT_TRIG_EN	R/W	0	External Trigger Enable, conversions are started using the external trigger as selectable by the EXT_TRIG_SEL bits. 0 = Disable External Trigger capability (Default) 1 = Enable External Trigger capability

Table 8-5. ADC Control Register (ADCCTRL) Register Field Descriptions (continued)

Bit	Field	Type	Reset	Description
19-16	EXT_TRIG_SEL	R	0000	Selects which external trigger can start a conversion loop. 0 = HS Loop1 Event 1 (DPWMA Low Resolution Edge) (Default) 1 = HS Loop1 Event 3 (DPWMB Low Resolution Edge) 2 = HS Loop2 Event 1 (DPWMA Low Resolution Edge) 3 = HS Loop2 Event 3 (DPWMB Low Resolution Edge) 4 = HS Loop3 Event 1 (DPWMA Low Resolution Edge) 5 = HS Loop3 Event 3 (DPWMB Low Resolution Edge) 6 = HS Loop4 Event 1 (DPWMA Low Resolution Edge) 7 = HS Loop4 Event 3 (DPWMB Low Resolution Edge) 8 = ADC_EXT_TRIG pin 9 = Analog Comparator A Output A = Analog Comparator B Output B = Analog Comparator C Output C = Analog Comparator D Output D = Analog Comparator E Output E = Analog Comparator F Output F = Analog Comparator G Output
15-13	SAMPLING_SEL	R/W	000	Defines ADC sampling and hold timing setup 111 = 1008KS/s 110 = 267KS/s 101 = 1008KS/s 100 = 538KS/s 011 = 504KS/s 010 = 744KS/s 001 = 744KS/s 000 = 267KS/s (Default)
12	ADC_SEL_REF	R/W	0	ADC Voltage Reference Select 0= Selects Internal ADC voltage reference (Default) 1 = Selects AVDD as ADC voltage reference
11	ADC_ROUND	R/W	0	Enables rounding of ADC Result to 10 bits 0 = ADC Results are not rounded (Default) 1 = ADC Results are rounded to 10 most significant bits
10-8	BYPASS_EN	R/W	111	Enables dual sample/hold for specific channels. There are only four valid settings: 011 = Dual Sample/Hold enabling on Channel 2 101 = Dual Sample/Hold enabling on Channel 1 110 = Dual Sample/Hold enabling on Channel 0 111 = Dual Sample/Hold Disabled (Default)
7-4	MAX_CONV	R/W	0000	Maximum number of conversion done in one conversion loop 0x0 = 1 conversion selection converted in the loop (Default) 0xF = All 16 conversion selections converted in the loop
3	SINGLE_SWEEP	R/W	0	ADC Conversion Mode 0 = Continuous conversion loop runs (Default) 1 = Single conversion loop run
2	SW_START	R/W	0	Firmware ADC Conversion Start, bit will be cleared automatically by hardware at end of ADC conversion 0 = Conversions not initiated by firmware (Default) 1 = Initiate an ADC conversion loop

Table 8-5. ADC Control Register (ADCCTRL) Register Field Descriptions (continued)

Bit	Field	Type	Reset	Description
1	ADC_INT_EN	R/W	0	End-of-conversion Interrupt Enable 0 = Disable End-of-Conversion Interrupt (Default) 1 = Enable End-of-Conversion Interrupt
0	ADC_EN	R/W	0	ADC12 Enable Control 0 = Disables ADC (Default) 1 = Enables ADC

8.18.2 ADC Status Register (ADCSTAT)

Address 00040004

Figure 8-20. ADC Status Register (ADCSTAT)

6	3	2	1	0
CURRENT_CH		ADC_EXT_TRIG_VAL	ADC_INT_RAW	ADC_INT
R-0		R-0	R-0	R-0

LEGEND: R/W = Read/Write; R = Read only; -n = value after reset

Table 8-6. ADC Status Register (ADCSTAT) Register Field Descriptions

Bit	Field	Type	Reset	Description
6-3	CURRENT_CH	R	0	Register shows the currently converting channel
2	ADC_EXT_TRIG_VAL	R	0	ADC_EXT_TRIG pin value 0 = ADC_EXT_TRIG pin driven low 1 = ADC_EXT_TRIG pin driven high
1	ADC_INT_RAW	R	0	End-of-conversion interrupt flag, raw version 0 = No End-of-conversion interrupt detected 1 = End-of-conversion interrupt found
0	ADC_INT	R	0	End-of-conversion interrupt flag, latched version 0 = No End-of-conversion interrupt detected 1 = End-of-conversion interrupt found

8.18.3 ADC Test Control Register (ADCTSTCTRL)

Address 00040008

Figure 8-21. ADC Test Control Register (ADCTSTCTRL)

1 0

ADC_SH_BUFFER_EN	Reserved
R/W-0	R-0

LEGEND: R/W = Read/Write; R = Read only; -n = value after reset

Table 8-7. ADC Test Control Register (ADCTSTCTRL) Register Field Descriptions

Bit	Field	Type	Reset	Description
1	ADC_SH_BUFFER_EN	R/W	0	ADC Sample and Hold Buffer Enable 0 = Disable ADC Sample and Hold Buffer (Default) 1 = Enables ADC Sample and Hold Buffer
0	Reserved	R	0	

8.18.4 ADC Sequence Select Register 0 (ADCSEQSEL0)

Address 0004000C

Figure 8-22. ADC Sequence Select Register 0 (ADCSEQSEL0)

28	27					24	23			21	20	19				16
SEQ3 _SH	SEQ3				Reserved				SEQ2 _SH	SEQ2						
R/W-0	R/W-0000				R-000				R/W-0	R/W-0000						
15	13	12	11					8	7	5	4	3				0
Reserved		SEQ1 _SH	SEQ1				Reserved				SEQ0 _SH	SEQ0				
R-000		R/W-0	R/W-0000				R-000				R/W-0	R/W-0000				

LEGEND: R/W = Read/Write; R = Read only; -n = value after reset

Table 8-8. ADC Sequence Select Register 0 (ADCSEQSEL0) Register Field Descriptions

Bit	Field	Type	Reset	Description
28	SEQ3_SH	R/W	0	Dual channel sequence select 0 = Not selected for Dual Sampling (Default) 1 = Selected for Dual Sampling
27-24	SEQ3	R/W	0000	Channel to be converted fourth 0000 = ADC00 selected (Default) 0001 = ADC01 selected 1111 = Temperature Sensor selected
23-21	Reserved	R	000	
20	SEQ2_SH	R/W	0	Dual channel sequence select 0 = Not selected for Dual Sampling (Default) 1 = Selected for Dual Sampling
19-16	SEQ2	R/W	0000	Channel to be converted third 0000 = ADC00 selected (Default) 0001 = ADC01 selected 1111 = Temperature Sensor selected
15-13	Reserved	R	000	
12	SEQ1_SH	R/W	0	Dual channel sequence select 0 = Not selected for Dual Sampling (Default) 1 = Selected for Dual Sampling
11-8	SEQ1	R/W	0000	Channel to be converted second 0000 = ADC00 selected (Default) 0001 = ADC01 selected 1111 = Temperature Sensor selected
7-5	Reserved	R	000	
4	SEQ0_SH	R/W	0	Dual channel sequence select 0 = Not selected for Dual Sampling (Default) 1 = Selected for Dual Sampling

Table 8-8. ADC Sequence Select Register 0 (ADCSEQSEL0) Register Field Descriptions (continued)

Bit	Field	Type	Reset	Description
3-0	SEQ0	R/W	0000	Channel to be converted first 0000 = ADC00 selected (Default) 0001 = ADC01 selected 1111 = Temperature Sensor selected

8.18.5 ADC Sequence Select Register 1 (ADCSEQSEL1)

Address 00040010

Figure 8-23. ADC Sequence Select Register 1 (ADCSEQSEL1)

28	27	24	23	21	20	19	16		
SEQ7 _SH	SEQ7			Reserved		SEQ6 _SH	SEQ6		
R/W-0	R/W-0000			R-000		R/W-0	R/W-0000		
15	13	12	11	8	7	5	4	3	
Reserved		SEQ5 _SH	SEQ5		Reserved		SEQ4 _SH	SEQ4	
R-000		R/W-0	R/W-0000		R-000		R/W-0	R/W-0000	

LEGEND: R/W = Read/Write; R = Read only; -n = value after reset

Table 8-9. ADC Sequence Select Register 1 (ADCSEQSEL1) Register Field Descriptions

Bit	Field	Type	Reset	Description
28	SEQ7_SH	R/W	0	Dual channel sequence select 0 = Not selected for Dual Sampling (Default) 1 = Selected for Dual Sampling
27-24	SEQ7	R/W	0000	Channel to be converted eighth 0000 = ADC00 selected (Default) 0001 = ADC01 selected 1111 = Temperature Sensor selected
23-21	Reserved	R	000	
20	SEQ6_SH	R/W	0	Dual channel sequence select 0 = Not selected for Dual Sampling (Default) 1 = Selected for Dual Sampling
19-16	SEQ6	R/W	0000	Channel to be converted seventh 0000 = ADC00 selected (Default) 0001 = ADC01 selected 1111 = Temperature Sensor selected
15-13	Reserved	R	000	
12	SEQ5_SH	R/W	0	Dual channel sequence select 0 = Not selected for Dual Sampling (Default) 1 = Selected for Dual Sampling
11-8	SEQ5	R/W	0000	Channel to be converted sixth 0000 = ADC00 selected (Default) 0001 = ADC01 selected 1111 = Temperature Sensor selected
7-5	Reserved	R	000	
4	SEQ4_SH	R/W	0	Dual channel sequence select 0 = Not selected for Dual Sampling (Default) 1 = Selected for Dual Sampling

Table 8-9. ADC Sequence Select Register 1 (ADCSEQSEL1) Register Field Descriptions (continued)

Bit	Field	Type	Reset	Description
3-0	SEQ4	R/W	0000	Channel to be converted fifth 0000 = ADC00 selected (Default) 0001 = ADC01 selected 1111 = Temperature Sensor selected

8.18.6 ADC Sequence Select Register 2 (ADCSEQSEL2)

Address 00040014

Figure 8-24. ADC Sequence Select Register 2 (ADCSEQSEL2)

28	27	24	23	21	20	19	16		
SEQ11 _SH	SEQ11			Reserved		SEQ10 _SH	SEQ10		
R/W-0	R/W-0000			R-000		R/W-0	R/W-0000		
15	13	12	11	8	7	5	4	3	
Reserved		SEQ9 _SH	SEQ9		Reserved		SEQ8 _SH	SEQ8	
R-000		R/W-0	R/W-0000		R-000		R/W-0	R/W-0000	

LEGEND: R/W = Read/Write; R = Read only; -n = value after reset

Table 8-10. ADC Sequence Select Register 2 (ADCSEQSEL2) Register Field Descriptions

Bit	Field	Type	Reset	Description
28	SEQ11_SH	R/W	0	Dual channel sequence select 0 = Not selected for Dual Sampling (Default) 1 = Selected for Dual Sampling
27-24	SEQ11	R/W	0000	Channel to be converted twelfth 0000 = ADC00 selected (Default) 0001 = ADC01 selected 1111 = Temperature Sensor selected
23-21	Reserved	R	000	
20	SEQ10_SH	R/W	0	Dual channel sequence select 0 = Not selected for Dual Sampling (Default) 1 = Selected for Dual Sampling
19-16	SEQ10	R/W	0000	Channel to be converted eleventh 0000 = ADC00 selected (Default) 0001 = ADC01 selected 1111 = Temperature Sensor selected
15-13	Reserved	R	000	
12	SEQ9_SH	R/W	0	Dual channel sequence select 0 = Not selected for Dual Sampling (Default) 1 = Selected for Dual Sampling
11-8	SEQ9	R/W	0000	Channel to be converted tenth 0000 = ADC00 selected (Default) 0001 = ADC01 selected 1111 = Temperature Sensor selected
7-5	Reserved	R	000	
4	SEQ8_SH	R/W	0	Dual channel sequence select 0 = Not selected for Dual Sampling (Default) 1 = Selected for Dual Sampling

Table 8-10. ADC Sequence Select Register 2 (ADCSEQSEL2) Register Field Descriptions (continued)

Bit	Field	Type	Reset	Description
3-0	SEQ8	R/W	0000	Channel to be converted ninth 0000 = ADC00 selected (Default) 0001 = ADC01 selected 1111 = Temperature Sensor selected

8.18.7 ADC Sequence Select Register 3 (ADCSEQSEL3)

Address 00040018

Figure 8-25. ADC Sequence Select Register 3 (ADCSEQSEL3)

28	27					24	23			21	20	19				16
SEQ15 _SH	SEQ15				Reserved			SEQ1 4_SH	SEQ14							
R/W-0	R/W-0000				R-000			R/W-0	R/W-0000							
15	13	12	11					8	7	5	4	3				0
Reserved		SEQ13 _SH	SEQ13				Reserved			SEQ12 _SH	SEQ12					
R-000		R/W-0	R/W-0000				R-000			R/W-0	R/W-0000					

LEGEND: R/W = Read/Write; R = Read only; -n = value after reset

Table 8-11. ADC Sequence Select Register 3 (ADCSEQSEL3) Register Field Descriptions

Bit	Field	Type	Reset	Description
28	SEQ15_SH	R/W	0	Dual channel sequence select 0 = Not selected for Dual Sampling (Default) 1 = Selected for Dual Sampling
27-24	SEQ15	R/W	0000	Channel to be converted sixteenth 0000 = ADC00 selected (Default) 0001 = ADC01 selected 1111 = Temperature Sensor selected
23-21	Reserved	R	000	
20	SEQ14_SH	R/W	0	Dual channel sequence select 0 = Not selected for Dual Sampling (Default) 1 = Selected for Dual Sampling
19-16	SEQ14	R/W	0000	Channel to be converted fifteenth 0000 = ADC00 selected (Default) 0001 = ADC01 selected 1111 = Temperature Sensor selected
15-13	Reserved	R	000	
12	SEQ13_SH	R/W	0	Dual channel sequence select 0 = Not selected for Dual Sampling (Default) 1 = Selected for Dual Sampling
11-8	SEQ13	R/W	0000	Channel to be converted fourteenth 0000 = ADC00 selected (Default) 0001 = ADC01 selected 1111 = Temperature Sensor selected
7-5	Reserved	R	000	
4	SEQ12_SH	R/W	0	Dual channel sequence select 0 = Not selected for Dual Sampling (Default) 1 = Selected for Dual Sampling

Table 8-11. ADC Sequence Select Register 3 (ADCSEQSEL3) Register Field Descriptions (continued)

Bit	Field	Type	Reset	Description
3-0	SEQ12	R/W	0000	Channel to be converted thirteenth 0000 = ADC00 selected (Default) 0001 = ADC01 selected 1111 = Temperature Sensor selected

8.18.8 ADC Result Registers 0-15 (ADCRESULTx, x=0:15)

Address 0004001C – ADC Result Register 0

Address 00040020 – ADC Result Register 1

Address 00040024 – ADC Result Register 2

Address 00040028 – ADC Result Register 3

Address 0004002C – ADC Result Register 4

Address 00040030 – ADC Result Register 5

Address 00040034 – ADC Result Register 6

Address 00040038 – ADC Result Register 7

Address 0004003C – ADC Result Register 8

Address 00040040 – ADC Result Register 9

Address 00040044 – ADC Result Register 10

Address 00040048 – ADC Result Register 11

Address 0004004C – ADC Result Register 12

Address 00040050 – ADC Result Register 13

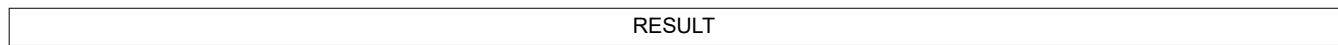
Address 00040054 – ADC Result Register 14

Address 00040058 – ADC Result Register 15

Figure 8-26. ADC Result Registers 0-15 (ADCRESULTx, x=0:15)

11

0



R-0

LEGEND: R/W = Read/Write; R = Read only; -n = value after reset

Table 8-12. ADC Result Registers 0-15 (ADCRESULTx, x=0:15) Register Field Descriptions

Bit	Field	Type	Reset	Description
11-0	RESULT	R	0	Each sequence has a dedicated result register.

8.18.9 ADC Averaged Result Registers 0-5 (ADCAVGRESULTx, x=0:15)

Address 0004005C – ADC Averaged Result Register 0

Address 00040060 – ADC Averaged Result Register 1

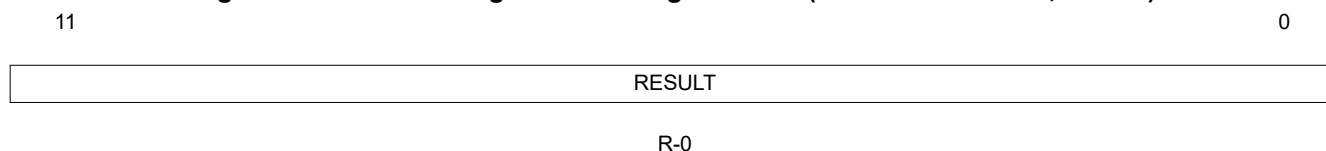
Address 00040064 – ADC Averaged Result Register 2

Address 00040068 – ADC Averaged Result Register 3

Address 0004006C – ADC Averaged Result Register 4

Address 00040070 – ADC Averaged Result Register 5

Figure 8-27. ADC Averaged Result Registers 0-5 (ADCAVGRESULTx, x=0:15)



LEGEND: R/W = Read/Write; R = Read only; -n = value after reset

Table 8-13. ADC Averaged Result Registers 0-5 (ADCAVGRESULTx, x=0:15) Register Field Descriptions

Bit	Field	Type	Reset	Description
11-0	RESULT	R	0	First 6 ADC Results have an averaged result

8.18.10 ADC Digital Compare Limits Register 0-5 (ADCCOMPLIMx, x=0:5)

Address 00040074 – ADC Digital Compare Limits Register 0

Address 00040078 – ADC Digital Compare Limits Register 1

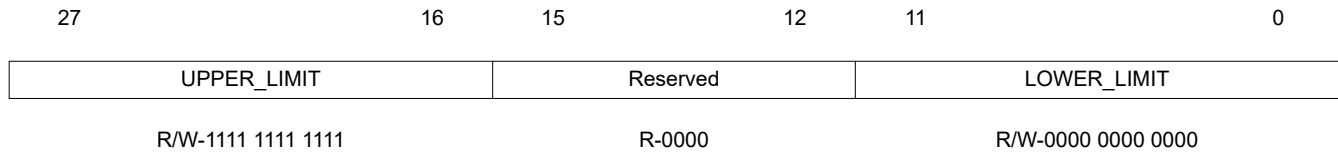
Address 0004007C – ADC Digital Compare Limits Register 2

Address 00040080 – ADC Digital Compare Limits Register 3

Address 00040084 – ADC Digital Compare Limits Register 4

Address 00040088 – ADC Digital Compare Limits Register 5

Figure 8-28. ADC Digital Compare Limits Register 0-5 (ADCCOMPLIMx, x=0:5)



LEGEND: R/W = Read/Write; R = Read only; -n = value after reset

Table 8-14. ADC Digital Compare Limits Register 0-5 (ADCCOMPLIMx, x=0:5) Register Field Descriptions

Bit	Field	Type	Reset	Description
27-16	UPPER_LIMIT	R/W	1111 1111 1111	Configures the upper limit value. If the ADC conversion selected is equal or greater than the limit, the Digital Compare Interrupt Flag is set (bit 22 of ADC Control Register 1). Results of comparison can be read from the ADC Digital Compare Results Register (see Section 4.7.12).
15-12	Reserved	R	0000	
11-0	LOWER_LIMIT	R/W	0000 0000 0000	Configures the lower limit value. If the ADC conversion selected is equal or less than the limit, the Digital Compare Interrupt Flag is set (bit 22 of ADC Control Register 1). Results of comparison can be read from the ADC Digital Compare Results Register (see Section 4.7.12).

8.18.11 ADC Digital Compare Enable Register (ADCCOMPEN)

Address 0004008C

Figure 8-29. ADC Digital Compare Enable Register (ADCCOMPEN)

27		26		25		24	
COMP5_UP_INT_EN		COMP5_LO_INT_EN		COMP4_UP_INT_EN		COMP4_LO_INT_EN	
R/W-0		R/W-0		R/W-0		R/W-0	
23	22	21	20	19	18	17	16
COMP3_UP_INT_EN	COMP3_LO_INT_EN	COMP2_UP_INT_EN	COMP2_LO_INT_EN	COMP1_UP_INT_EN	COMP1_LO_INT_EN	COMP0_UP_INT_EN	COMP0_LO_INT_EN
R/W-0	R/W-0	R/W-0	R/W-0	R/W-0	R/W-0	R/W-0	R/W-0
15	14	13	12	11	10	9	8
Reserved		COMP5_DATA_SEL	COMP4_DATA_SEL	COMP3_DATA_SEL	COMP2_DATA_SEL	COMP1_DATA_SEL	COMP0_DATA_SEL
R-00		R/W-0	R/W-0	R/W-0	R/W-0	R/W-0	R/W-0
7	6	5	4	3	2	1	0
Reserved		COMP5_EN	COMP4_EN	COMP3_EN	COMP2_EN	COMP1_EN	COMP0_EN
R-00		R/W-0	R/W-0	R/W-0	R/W-0	R/W-0	R/W-0

LEGEND: R/W = Read/Write; R = Read only; -n = value after reset

Table 8-15. ADC Digital Compare Enable Register (ADCCOMPEN) Register Field Descriptions

Bit	Field	Type	Reset	Description
27	COMP5_UP_INT_EN	R/W	0	Digital Comparator 5 Upper Limit Interrupt Enable 0 = Interrupt generation disabled on result above upper limit (Default) 1 = Interrupt generation enabled on result above upper limit
26	COMP5_LO_INT_EN	R/W	0	Digital Comparator 5 Lower Limit Interrupt Enable 0 = Interrupt generation disabled on result below lower limit (Default) 1 = Interrupt generation enabled on result below lower limit
25	COMP4_UP_INT_EN	R/W	0	Digital Comparator 4 Upper Limit Interrupt Enable 0 = Interrupt generation disabled on result above upper limit (Default) 1 = Interrupt generation enabled on result above upper limit
24	COMP4_LO_INT_EN	R/W	0	Digital Comparator 4 Lower Limit Interrupt Enable 0 = Interrupt generation disabled on result below lower limit (Default) 1 = Interrupt generation enabled on result below lower limit
23	COMP3_UP_INT_EN	R/W	0	Digital Comparator 3 Upper Limit Interrupt Enable 0 = Interrupt generation disabled on result above upper limit (Default) 1 = Interrupt generation enabled on result above upper limit
22	COMP3_LO_INT_EN	R/W	0	Digital Comparator 3 Lower Limit Interrupt Enable 0 = Interrupt generation disabled on result below lower limit (Default) 1 = Interrupt generation enabled on result below lower limit

Table 8-15. ADC Digital Compare Enable Register (ADCCOMPEN) Register Field Descriptions (continued)

Bit	Field	Type	Reset	Description
21	COMP2_UP_INT_EN	R/W	0	Digital Comparator 2 Upper Limit Interrupt Enable 0 = Interrupt generation disabled on result above upper limit (Default) 1 = Interrupt generation enabled on result above upper limit
20	COMP2_LO_INT_EN	R/W	0	Digital Comparator 2 Lower Limit Interrupt Enable 0 = Interrupt generation disabled on result below lower limit (Default) 1 = Interrupt generation enabled on result below lower limit
19	COMP1_UP_INT_EN	R/W	0	Digital Comparator 1 Upper Limit Interrupt Enable 0 = Interrupt generation disabled on result above upper limit (Default) 1 = Interrupt generation enabled on result above upper limit
18	COMP1_LO_INT_EN	R/W	0	Digital Comparator 1 Lower Limit Interrupt Enable 0 = Interrupt generation disabled on result below lower limit (Default) 1 = Interrupt generation enabled on result below lower limit
17	COMP0_UP_INT_EN	R/W	0	Digital Comparator 0 Upper Limit Interrupt Enable 0 = Interrupt generation disabled on result above upper limit (Default) 1 = Interrupt generation enabled on result above upper limit
16	COMP0_LO_INT_EN	R/W	0	Digital Comparator 0 Lower Limit Interrupt Enable 0 = Interrupt generation disabled on result below lower limit (Default) 1 = Interrupt generation enabled on result below lower limit
15-14	Reserved	R	00	
13	COMP5_DATA_SEL	R/W	0	Digital Comparator 5 Data Select 0 = Raw ADC Result 5 used for comparison (Default) 1 = Averaged ADC Result 5 used for comparison
12	COMP4_DATA_SEL	R/W	0	Digital Comparator 4 Data Select 0 = Raw ADC Result 4 used for comparison (Default) 1 = Averaged ADC Result 4 used for comparison
11	COMP3_DATA_SEL	R/W	0	Digital Comparator 3 Data Select 0 = Raw ADC Result 3 used for comparison (Default) 1 = Averaged ADC Result 3 used for comparison
10	COMP2_DATA_SEL	R/W	0	Digital Comparator 2 Data Select 0 = Raw ADC Result 2 used for comparison (Default) 1 = Averaged ADC Result 2 used for comparison
9	COMP1_DATA_SEL	R/W	0	Digital Comparator 1 Data Select 0 = Raw ADC Result 1 used for comparison (Default) 1 = Averaged ADC Result 1 used for comparison
8	COMP0_DATA_SEL	R/W	0	Digital Comparator 0 Data Select 0 = Raw ADC Result 0 used for comparison (Default) 1 = Averaged ADC Result 0 used for comparison
7-6	Reserved	R	00	
5	COMP5_EN	R/W	0	Digital Comparator 5 Enable 0 = Comparator Disabled (Default) 1 = Comparator Enabled
4	COMP4_EN	R/W	0	Digital Comparator 4 Enable 0 = Comparator Disabled (Default) 1 = Comparator Enabled
3	COMP3_EN	R/W	0	Digital Comparator 3 Enable 0 = Comparator Disabled (Default) 1 = Comparator Enabled

Table 8-15. ADC Digital Compare Enable Register (ADCCOMPEN) Register Field Descriptions (continued)

Bit	Field	Type	Reset	Description
2	COMP2_EN	R/W	0	Digital Comparator 2 Enable 0 = Comparator Disabled (Default) 1 = Comparator Enabled
1	COMP1_EN	R/W	0	Digital Comparator 1 Enable 0 = Comparator Disabled (Default) 1 = Comparator Enabled
0	COMP0_EN	R/W	0	Digital Comparator 0 Enable 0 = Comparator Disabled (Default) 1 = Comparator Enabled

8.18.12 ADC Digital Compare Results Register (ADCCOMPRESULT)

Address 00040090

Figure 8-30. ADC Digital Compare Results Register (ADCCOMPRESULT)

27		26		25		24	
DCOMP5_UP_RAW		DCOMP5_LO_RAW		DCOMP4_UP_RAW		DCOMP4_LO_RAW	
R-0		R-0		R-0		R-0	
23	22	21	20	19	18	17	16
DCOMP3_UP_RAW	DCOMP3_LO_RAW	DCOMP2_UP_RAW	DCOMP2_LO_RAW	DCOMP1_UP_RAW	DCOMP1_LO_RAW	DCOMP0_UP_RAW	DCOMP0_LO_RAW
R-0		R-0		R-0		R-0	
15			12	11	10	9	8
Reserved				DCOMP5_UP_INT	DCOMP5_LO_INT	DCOMP4_UP_INT	DCOMP4_LO_INT
R-0000				R-0	R-0	R-0	R-0
7	6	5	4	3	2	1	0
DCOMP3_UP_INT	DCOMP3_LO_INT	DCOMP2_UP_INT	DCOMP2_LO_INT	DCOMP1_UP_INT	DCOMP1_LO_INT	DCOMP0_UP_INT	DCOMP0_LO_INT
R-0		R-0		R-0		R-0	

LEGEND: R/W = Read/Write; R = Read only; -n = value after reset

Table 8-16. ADC Digital Compare Results Register (ADCCOMPRESULT) Register Field Descriptions

Bit	Field	Type	Reset	Description
27	DCOMP5_UP_RAW	R	0	Digital Comparator 5 Upper Limit Raw Result 0 = Limit not exceeded 1 = Limit exceeded
26	DCOMP5_LO_RAW	R	0	Digital Comparator 5 Lower Limit Raw Result 0 = Limit not exceeded 1 = Limit exceeded
25	DCOMP4_UP_RAW	R	0	Digital Comparator 4 Upper Limit Raw Result 0 = Limit not exceeded 1 = Limit exceeded
24	DCOMP4_LO_RAW	R	0	Digital Comparator 4 Lower Limit Raw Result 0 = Limit not exceeded 1 = Limit exceeded
23	DCOMP3_UP_RAW	R	0	Digital Comparator 3 Upper Limit Raw Result 0 = Limit not exceeded 1 = Limit exceeded
22	DCOMP3_LO_RAW	R	0	Digital Comparator 3 Lower Limit Raw Result 0 = Limit not exceeded 1 = Limit exceeded

**Table 8-16. ADC Digital Compare Results Register (ADCCOMPRESULT) Register Field Descriptions
(continued)**

Bit	Field	Type	Reset	Description
21	DCOMP2_UP_RAW	R	0	Digital Comparator 2 Upper Limit Raw Result 0 = Limit not exceeded 1 = Limit exceeded
20	DCOMP2_LO_RAW	R	0	Digital Comparator 2 Lower Limit Raw Result 0 = Limit not exceeded 1 = Limit exceeded
19	DCOMP1_UP_RAW	R	0	Digital Comparator 1 Upper Limit Raw Result 0 = Limit not exceeded 1 = Limit exceeded
18	DCOMP1_LO_RAW	R	0	Digital Comparator 1 Lower Limit Raw Result 0 = Limit not exceeded 1 = Limit exceeded
17	DCOMP0_UP_RAW	R	0	Digital Comparator 0 Upper Limit Raw Result 0 = Limit not exceeded 1 = Limit exceeded
16	DCOMP0_LO_RAW	R	0	Digital Comparator 0 Lower Limit Raw Result 0 = Limit not exceeded 1 = Limit exceeded
15-12	Reserved	R	0000	
11	DCOMP5_UP_INT	R	0	Digital Comparator 5 Upper Limit Interrupt Result, cleared on read 0 = Limit not exceeded 1 = Limit exceeded
10	DCOMP5_LO_INT	R	0	Digital Comparator 5 Lower Limit Interrupt Result, cleared on read 0 = Limit not exceeded 1 = Limit exceeded
9	DCOMP4_UP_INT	R	0	Digital Comparator 4 Upper Limit Interrupt Result, cleared on read 0 = Limit not exceeded 1 = Limit exceeded
8	DCOMP4_LO_INT	R	0	Digital Comparator 4 Lower Limit Interrupt Result, cleared on read 0 = Limit not exceeded 1 = Limit exceeded
7	DCOMP3_UP_INT	R	0	Digital Comparator 3 Upper Limit Interrupt Result, cleared on read 0 = Limit not exceeded 1 = Limit exceeded
6	DCOMP3_LO_INT	R	0	Digital Comparator 3 Lower Limit Interrupt Result, cleared on read 0 = Limit not exceeded 1 = Limit exceeded
5	DCOMP2_UP_INT	R	0	Digital Comparator 2 Upper Limit Interrupt Result, cleared on read 0 = Limit not exceeded 1 = Limit exceeded
4	DCOMP2_LO_INT	R	0	Digital Comparator 2 Lower Limit Interrupt Result, cleared on read 0 = Limit not exceeded 1 = Limit exceeded
3	DCOMP1_UP_INT	R	0	Digital Comparator 1 Upper Limit Interrupt Result, cleared on read 0 = Limit not exceeded 1 = Limit exceeded

**Table 8-16. ADC Digital Compare Results Register (ADCCOMPRESULT) Register Field Descriptions
(continued)**

Bit	Field	Type	Reset	Description
2	DCOMP1_LO_INT	R	0	Digital Comparator 1 Lower Limit Interrupt Result, cleared on read 0 = Limit not exceeded 1 = Limit exceeded
1	DCOMP0_UP_INT	R	0	Digital Comparator 0 Upper Limit Interrupt Result, cleared on read 0 = Limit not exceeded 1 = Limit exceeded
0	DCOMP0_LO_INT	R	0	Digital Comparator 0 Lower Limit Interrupt Result, cleared on read 0 = Limit not exceeded 1 = Limit exceeded

8.18.13 ADC Averaging Control Register (ADCAVGCTRL)

Address 00040094

Figure 8-31. ADC Averaging Control Register (ADCAVGCTRL)

	22	21	20	19	18	17	16
AVG5_CONFIG	AVG5_EN		Reserved		AVG4_CONFIG		AVG4
R/W-00	R/W-0		R-0		R/W-00		R/W-0
15	14	13	12	11	10	9	8
Reserved	AVG3_CONFIG		AVG3_EN		Reserved		AVG2
R-0	R/W-00		R/W-0		R-0		R/W-00
7	6	5	4	3	2	1	0
Reserved	AVG1_CONFIG		AVG1_EN		Reserved		AVG0
R-0	R/W-00		R/W-0		R-0		R/W-00

LEGEND: R/W = Read/Write; R = Read only; -n = value after reset

Table 8-17. ADC Averaging Control Register (ADCAVGCTRL) Register Field Descriptions

Bit	Field	Type	Reset	Description
22-21	AVG5_CONFIG	R/W	00	ADC Averaging Module 5 Configuration 0 = Moving average of 4 samples (Default) 1 = Moving average of 8 samples 2 = Moving average of 16 samples 3 = Moving average of 32 samples
20	AVG5_EN	R/W	0	ADC Averaging Module 5 Enable 0 = ADC Averaging Disabled (Default) 1 = ADC Averaging Enabled
19	Reserved	R	0	
18-17	AVG4_CONFIG	R/W	00	ADC Averaging Module 4 Configuration 0 = Moving average of 4 samples (Default) 1 = Moving average of 8 samples 2 = Moving average of 16 samples 3 = Moving average of 32 samples
16	AVG4_EN	R/W	0	ADC Averaging Module 4 Enable 0 = ADC Averaging Disabled (Default) 1 = ADC Averaging Enabled
15	Reserved	R	0	
14-13	AVG3_CONFIG	R/W	00	ADC Averaging Module 3 Configuration 0 = Moving average of 4 samples (Default) 1 = Moving average of 8 samples 2 = Moving average of 16 samples 3 = Moving average of 32 samples
12	AVG3_EN	R/W	0	ADC Averaging Module 3 Enable 0 = ADC Averaging Disabled (Default) 1 = ADC Averaging Enabled
11	Reserved	R	0	

Table 8-17. ADC Averaging Control Register (ADCAVGCTRL) Register Field Descriptions (continued)

Bit	Field	Type	Reset	Description
10-9	AVG2_CONFIG	R/W	00	ADC Averaging Module 2 Configuration 0 = Moving average of 4 samples (Default) 1 = Moving average of 8 samples 2 = Moving average of 16 samples 3 = Moving average of 32 samples
8	AVG2_EN	R/W	0	ADC Averaging Module 4 Enable 0 = ADC Averaging Disabled (Default) 1 = ADC Averaging Enabled
7	Reserved	R	0	
6-5	AVG1_CONFIG	R/W	00	ADC Averaging Module 1 Configuration 0 = Moving average of 4 samples (Default) 1 = Moving average of 8 samples 2 = Moving average of 16 samples 3 = Moving average of 32 samples
4	AVG1_EN	R/W	0	ADC Averaging Module 1 Enable 0 = ADC Averaging Disabled (Default) 1 = ADC Averaging Enabled
3	Reserved	R	0	
2-1	AVG0_CONFIG	R/W	00	ADC Averaging Module 0 Configuration 0 = Moving average of 4 samples (Default) 1 = Moving average of 8 samples 2 = Moving average of 16 samples 3 = Moving average of 32 samples
0	AVG0_EN	R/W	0	ADC Averaging Module 0 Enable 0 = ADC Averaging Disabled (Default) 1 = ADC Averaging Enabled

Advanced Power Management Control Functions



The Miscellaneous Analog Control (MAC) Registers are a catch-all of registers that control and monitor a wide variety of functions. These functions include device supervisory features such as Brown-Out and power saving configuration, general purpose input/output configuration and interfacing, internal temperature sensor control and current sharing control.

The MAC module also provides trim signals to the oscillator and AFE blocks. These controls are usually used at the time of trimming at IC manufacturing; therefore this document will not cover these trim controls.

Please note that despite the name “Miscellaneous Analog Control”, the MAC module does not only control analog functions.

All the MAC registers and peripherals are available in the UCD3138RGC (64 pin version). The UCD3138RHA (40 pin version) device may have reduced resources. Consult device datasheet for details.

9.1 Package ID Information	349
9.2 Brownout	349
9.3 Temperature Sensor Control	349
9.4 I/O Mux Control	349
9.5 Current Sharing Control	349
9.6 Temperature Reference	351
9.7 Power Disable Control or (Clock Gating Control)	351
9.8 Miscellaneous Analog Control Registers	352
9.9 GPIO Overview	361
9.10 Interaction with a Single Pin	361
9.11 Interaction with Multiple Pins	363
9.12 Registers	364
9.13 Need to Clear HFO_LN_FILTER_EN Bit	369

9.1 Package ID Information

Package ID register includes information regarding the package type of the device and can be read by firmware for reporting through PMBus or for other package sensitive decision makings.

1 0

PKG_ID

R/W-00

LEGEND: R/W = Read/Write; R = Read only; -n = value after reset

9.2 Brownout

Brownout function is used to determine if the device supply voltage is lower than a threshold voltage, a condition that may be considered unsafe for proper operation of the device.

The Brownout threshold is higher than the Reset threshold voltage; Therefore when the device supply voltage is lower than brownout threshold, it does not necessarily trigger a device reset.

The brownout interrupt flag can be polled or alternatively can trigger an interrupt to service such case by an interrupt service routine.

Please refer to Section 3.6 of UCD3138 device datasheet for more information about specific Brownout threshold levels.

9.3 Temperature Sensor Control

Temperature sensor control register provides internal temperature sensor enabling and trimming capabilities. The internal temperature sensor is disabled as default.

9.4 I/O Mux Control

In different package versions of UCD3138, different I/O functions are multiplexed and routed toward a single physical pin. Consult the UCD3138 device datasheet for specific information related to each version.

I/O Mux Control register may be used in order to choose a specific functionality that is desired to be assigned to a physical device pin.

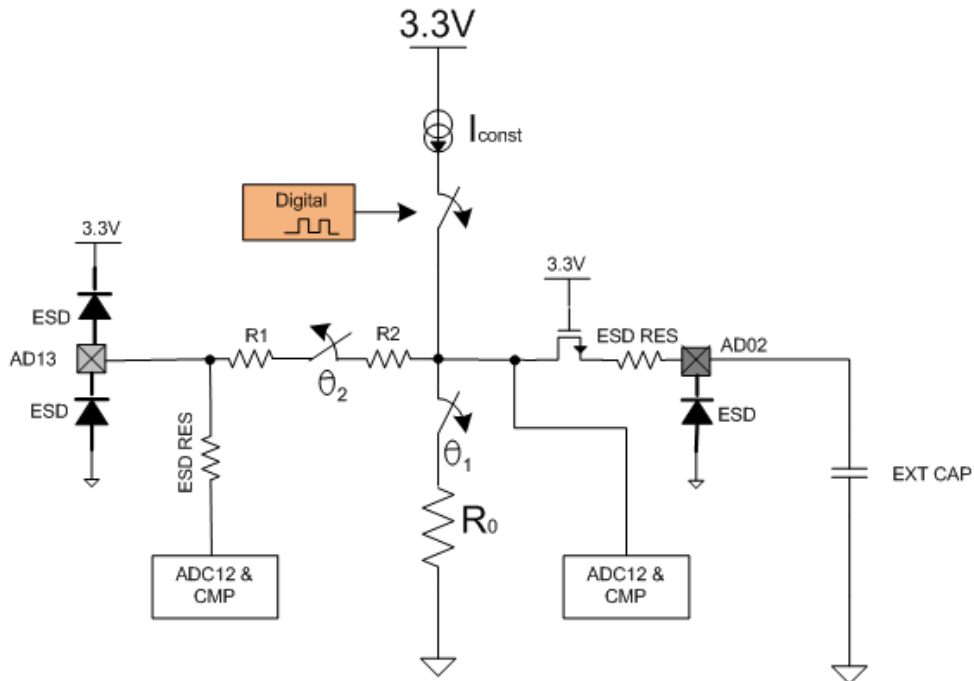
Please note that the default value of IOMUX does not configure the TDO pin as a JTAG pin. Hence, IOMUX configuration must be changed in order to implement JTAG communication to UCD3138.

9.5 Current Sharing Control

UCD3138 provides three separate modes of current sharing operation.

- Analog bus current sharing
- PWM bus current sharing
- Master/Slave current sharing

A simplified schematic of the current sharing circuitry integrated in UCD3138 is shown in the drawing below:


Figure 9-1.
Table 9-1. Tolerance

Name	Typical	+ - %	Comment
R0	10K	2	Accurate internal resistor with temp. compensation
R1	400	25	Resistor with switch resistance lump
R2	3.2K	25	Resistor support no more than 1 mA
ESDRES	250	25	ESD resistor
Iconst	250µA	2	Use in PWM output current

Current Sharing Mode	CSCTRL.bit.TEST_MODE	Switch θ_1	Switch θ_2	Digital-PWM
Tri-state or Slave mode	0	OFF	OFF	OFF
PWM average current Bus	1	ON	OFF	ACTIVE
Analog average current Bus or Master mode	3	OFF	ON	OFF

The period and the duty of 8-bit PWM current source and the state of the θ_1 and θ_2 switches can be controlled through the current sharing control register (CSCTRL).

9.6 Temperature Reference

The temperature reference register (TEMPREF) provides the ADC12 count when ADC12 measured the internal temperature sensor during the factory trim and calibration. This information can be used by different periodic temperature compensation routines implemented in the firmware. But it should not be overwritten by firmware; otherwise this factory written value will be lost.

Address FFF7F03C

11

0

TEMP_REF

R/W-0000 0000 0000

LEGEND: R/W = Read/Write; R = Read only; -n = value after reset

9.7 Power Disable Control or (Clock Gating Control)

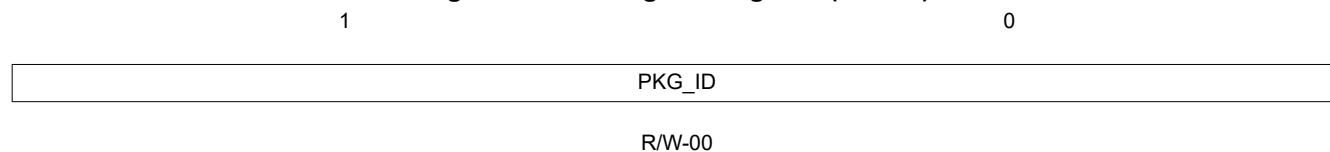
Power Disable Control register provides control bits that can enable or disable arrival of clock to several peripherals such as, PCM, CPCC, digital filters, front ends, DPWMs, UARTs, ADC-12 and more.

All these controls are enabled as default. If a specific peripheral is not used in a specific application the clock gate can be disabled in order to block the propagation of clock signal to that peripheral and therefore reduce the overall current consumption of the device. Please refer to [Section 9.8.7](#) and Section 3.7 of UCD3138 device datasheet for more information.

9.8 Miscellaneous Analog Control Registers

9.8.1 Package ID Register (PKGID)

Address FFF7F010

Figure 9-2. Package ID Register (PKGID)


LEGEND: R/W = Read/Write; R = Read only; -n = value after reset

Table 9-2. Package ID Register (PKGID) Register Field Descriptions

Bit	Field	Type	Reset	Description
1-0	PKG_ID	R/W	00	Represents package type of device 0 = 64-pin package (Default) 1 = 40-pin package

9.8.2 Brownout Register (BROWNOUT)

Address FFF7F014

Figure 9-3. Brownout Register (BROWNOUT)

	2	1	0
INT	INT_EN	COMP_EN	
R-0	R/W-0	R/W-0	

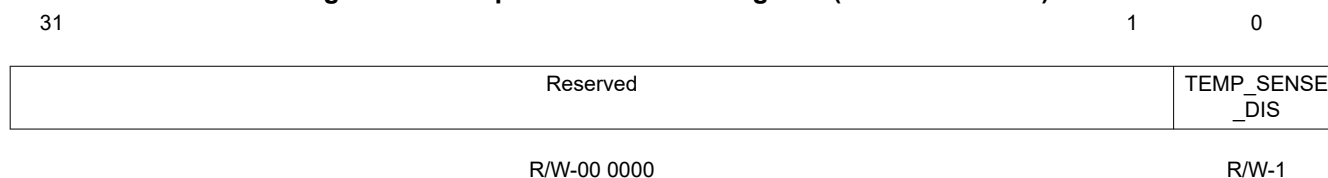
LEGEND: R/W = Read/Write; R = Read only; -n = value after reset

Table 9-3. Brownout Register (BROWNOUT) Register Field Descriptions

Bit	Field	Type	Reset	Description
2	INT	R	0	Brownout Interrupt Status 0 = No Brownout Condition observed 1 = Brownout Condition observed
1	INT_EN	R/W	0	Brownout Interrupt Enable 0 = Brownout Interrupt disabled (Default) 1 = Brownout Interrupt enabled
0	COMP_EN	R/W	0	Brownout Comparator Enable 0 = Brownout comparator logic disabled (Default) 1 = Brownout comparator logic enabled

9.8.3 Temp Sensor Control Register (TEMPSENCTRL)

Address FFF7F02C

Figure 9-4. Temp Sensor Control Register (TEMPSENCTRL)


LEGEND: R/W = Read/Write; R = Read only; -n = value after reset

Table 9-4. Temp Sensor Control Register (TEMPSENCTRL) Register Field Descriptions

Bit	Field	Type	Reset	Description
31-1	Reserved	R/W	00 0000	Temperature Sensor Disable 0 = Enables Temperature Sensor 1 = Disables Temperature Sensor (Default)
0	TEMP_SENSE _DIS	R/W	0	

CAUTION

Writing into the reserved bits is NOT RECOMMENDED since it is likely to have an adverse effect on the normal operation of Temperature Sensor. In the process of Clearing (or setting) the TEMP_SENSE_DIS bit, the other bits in the register need to be stayed intact. Therefore you should use a read-modify-write technique to clear or set this bit.

9.8.4 I/O Mux Control Register (IOMUX)

Address FFF7F030

Figure 9-5. I/O Mux Control Register (IOMUX)

9	8	7	6	5	4	3	2	1	0
EXT_TRIG_MUX_SEL		JTAG_CLK_MUX_SEL		JTAG_DATA_MUX_SEL		SYNC_MUX_SEL		UART_MUX_SEL	PMBUS_MUX_SEL
R/W-00		R/W-00		R/W-00		R/W-00		R/W-0	R/W-0

LEGEND: R/W = Read/Write; R = Read only; -n = value after reset

Table 9-5. Bits 9-8: EXT_TRIG_MUX_SEL – EXT_TRIG Pin Mux Select

I/O Pin	0	1	2	3
EXT TRIG	EXT TRIG	TCAP	SYNC	PWM-0

Table 9-6. Bits 7-6: JTAG_CLK_MUX_SEL – TCK Pin Mux Select

I/O Pin	0	1	2	3
TCK	TCK	TCAP	SYNC	PWM-0

Table 9-7. Bits 5-4: JTAG_DATA_MUX_SEL – TDO/TDI Pin Mux Select

I/O Pin	0	1	2	3
TDO	TDO	SCI_TX-0	ALERT	FAULT-0
TDI	TDI	SCI_RX-0	CONTROL	FAULT-1

Table 9-8. Bits 3-2: SYNC_MUX_SEL – SYNC Pin Mux Select

I/O Pin	0	1	2	3
SYNC	SYNC	TCAP	EXT TRIG	PWM-0

Table 9-9. Bit 1: UART_MUX_SEL – SCL/SDA Pins Mux Select

I/O Pin	0	1
SCI_TX-1	SCI_TX-1	ALERT
SCI_RX-1	SCI_RX-1	CONTROL

Table 9-10. Bit 0: PMBUS_MUX_SEL – SCL/SDA Pins Mux Select

I/O Pin	0	1
SCL	SCL	SCI_TX-0
SDA	SDA	SCI_RX-0

Table 9-11. I/O Mux Control Register (IOMUX) Register Field Descriptions

Bit	Field	Type	Reset	Description
9	TPWM0_MUX_SEL	R/W	0	Pin Mux Select 0 = TMR_PWM_0 via the TMR_PWM_0 (Default) 1 = SYNC via the TMR_PWM_0
8	Reserved	R	0	
7-6	TCAP1_MUX_SEL	R/W	0	Pin Mux Select 0 = MR_CAP_1 function utilized via the TMR_CAP_1 pin (Default) 1 = MR_CAP_1 function utilized via the TDI pin 2 = MR_CAP_1 function utilized via the TDO pin 3 = MR_CAP_1 function utilized via the TMR_CAP_0 pin

Table 9-11. I/O Mux Control Register (IOMUX) Register Field Descriptions (continued)

Bit	Field	Type	Reset	Description
5-4	TCAP0_MUX_SEL	R/W	0	Pin Mux Select 0 = MR_CAP_0 via the TMR_CAP_0 (Default) 1 = MR_CAP_0 via the TDI 2 = TMR_CAP_0 via the TDO 3 = MR_CAP_0 via the TMR_CAP_1
3	Reserved	R	0	
2	JTAG_MUX_SEL	R/W	0	Pin Mux Select 0 = JTAG pins function as JTAG port. TCK/TMS/TDI/TDO 1 = JTAG pins disabled JTAG port functions as SPI port in this mode. TCK -> SPI_CLK TMS -> SPI_CS TDI -> SPI_MISO TDO -> SPI_MOSI (default) Note: This bit is left set at reset if the pflash checksum is valid to disable JTAG for flash code protection. If code protection is desired, and SPI is also desired, it should be left set, and the JTAG pins should be used for SPI. If the pflash checksum is not valid, the bit is cleared to permit JTAG use.] JTAG can also be disabled by the other IOMUX bits which affect the JTAG pins instead. Setting 2 bits which affect the same pin will have unpredictable results.
1	RTC_CLK_IN_SEL	R/W	0	Pin Mux Select 0 = Input to RTC module clock connected to XTAL_CLK_IN (default) 1 = Input to RTC module clock connected to TCK
0	RTC_CLK_OUT_SEL	R/W	0	Pin Mux Select 0 = Output of RTC reference clock disabled (default) 1 = Output of RTC reference clock connected to TCK

9.8.5 Current Sharing Control Register (CSCTRL)

Address FFF7F038

Figure 9-6. Current Sharing Control Register (CSCTRL)

23	16	15	8	7	4	3	0
DPWM_DUTY	DPWM_PERIOD		Reserved		TEST_MODE		
R/W-0000 0000	R/W-0000 0000		R-0000		R/W-0000		

LEGEND: R/W = Read/Write; R = Read only; -n = value after reset

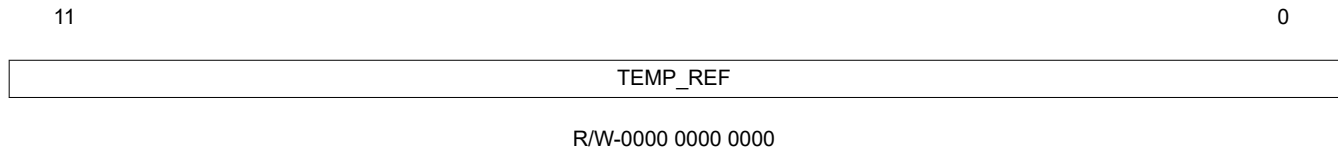
Table 9-12. Current Sharing Control Register (CSCTRL) Register Field Descriptions

Bit	Field	Type	Reset	Description
23-16	DPWM_DUTY	R/W	0000 0000	Configures Pulse Width/Duty Cycle for DPWM output to Current Sharing circuit. Resolution of LSB equals period of MCLK clock (32 ns).
15-8	DPWM_PERIOD	R/W	0000 0000	Configures Period for DPWM output to Current Sharing circuit. Output period equals DPWM_PERIOD+1 * LSB resolution. Resolution of LSB equals period of MCLK clock
7-4	Reserved	R/W	0000	
3-0	TEST_MODE	R/W	0000	Controls Current Sharing Operation

Current Sharing Mode	CSCTRL.bit.TEST_MODE	Switch 01	Switch 02	Digital-PWM
Tri-state or Slave mode	0	OFF	OFF	OFF
PWM average current Bus	1	ON	OFF	ACTIVE
Analog average current Bus or Master mode	3	OFF	ON	OFF

9.8.6 Temperature Reference Register (TEMPREF)

Address FFF7F03C

Figure 9-7. Temperature Reference Register (TEMPREF)


LEGEND: R/W = Read/Write; R = Read only; -n = value after reset

Table 9-13. Temperature Reference Register (TEMPREF) Register Field Descriptions

Bit	Field	Type	Reset	Description
11-0	TEMP_REF	R/W	0000 0000 0000	Reference measurement taken during factory trim, ADC12 measurement of the internal temperature sensor at room temperature for use in offset calibration

9.8.7 Power Disable Control Register (PWRDISCTRL)

Address FFF7F040

Figure 9-8. Power Disable Control Register (PWRDISCTRL)

17				16			
PCM_CLK_EN				CPCC_CLK_EN			
R/W-1				R/W-1			
15	14	13	12	11	10	9	8
FILTER2_CLK_EN	FILTER1_CLK_EN	FILTER0_CLK_EN	FE_CTRL2_CLK_EN	FE_CTRL1_CLK_EN	FE_CTRL0_CLK_EN	DPWM3_CLK_EN	DPWM2_CLK_EN
R/W-1	R/W-1	R/W-1	R/W-1	R/W-1	R/W-1	R/W-1	R/W-1
7	6	5	4	3	2	1	0
DPWM1_CLK_EN	DPWM0_CLK_EN	SCI1_CLK_EN	SCI0_CLK_EN	ADC12_CLK_EN	PMBUS_CLK_EN	GIO_CLK_EN	TIMER_CLK_EN
R/W-1	R/W-1	R/W-1	R/W-1	R/W-1	R/W-1	R/W-1	R/W-1

LEGEND: R/W = Read/Write; R = Read only; -n = value after reset

DTC_CLK_EN	Reserved	RTC_CLK_EN	I2C_CLK_EN	SPI_CLK_EN	PCM_CLK_EN	CPCC_CLK_EN	
R/W-1	R/W-1	R/W-1	R/W-1	R/W-1	R/W-1	R/W-1	
15	14	13	12	11	10	9	
FILTER2_CLK_EN	FILTER1_CLK_EN	FILTER0_CLK_EN	FE_CTRL2_CLK_EN	FE_CTRL1_CLK_EN	FE_CTRL0_CLK_EN	DPWM3_CLK_EN	DPWM2_CLK_EN
R/W-1	R/W-1	R/W-1	R/W-1	R/W-1	R/W-1	R/W-1	R/W-1
7	6	5	4	3	2	1	0
DPWM1_CLK_EN	DPWM0_CLK_EN	SCI1_CLK_EN	SCI0_CLK_EN	ADC12_CLK_EN	PMBUS_CLK_EN	GIO_CLK_EN	TIMER_CLK_EN
R/W-1	R/W-1	R/W-1	R/W-1	R/W-1	R/W-1	R/W-1	R/W-1

LEGEND: R/W = Read/Write; R = Read only; -n = value after reset

Table 9-14. Power Disable Control Register (PWRDISCTRL) Register Field Descriptions

Bit	Field	Type	Reset	Description
17	PCM_CLK_EN	R/W	1	Clock Enable for Digital Peak Current Control Module 0 = Disables clocks to Digital Peak Current Control Module 1 = Enables clocks to Digital Peak Current Control Module (Default)
16	CPCC_CLK_EN	R/W	1	Clock Enable for Constant Power/Constant Current Module 0 = Disables clocks to Constant Power/Constant Current Module 1 = Enables clocks to Constant Power/Constant Current Module (Default)

Table 9-14. Power Disable Control Register (PWRDISCTRL) Register Field Descriptions (continued)

Bit	Field	Type	Reset	Description
15	FILTER2_CLK_EN	R/W	1	Clock Enable for Filter 2 Module 0 = Disables clocks to Filter 2 Module 1 = Enables clocks to Filter 2 Module (Default)
14	FILTER1_CLK_EN	R/W	1	Clock Enable for Filter 1 Module 0 = Disables clocks to Filter 1 Module 1 = Enables clocks to Filter 1 Module (Default)
13	FILTER0_CLK_EN	R/W	1	Clock Enable for Filter 0 Module 0 = Disables clocks to Filter 0 Module 1 = Enables clocks to Filter 0 Module (Default)
12	FE_CTRL2_CLK_EN	R/W	1	Clock Enable for Front End Control 2 Module 0 = Disables clocks to Front End Control 2 Module 1 = Enables clocks to Front End Control 2 Module (Default)
11	FE_CTRL1_CLK_EN	R/W	1	Clock Enable for Front End Control 1 Module 0 = Disables clocks to Front End Control 1 Module 1 = Enables clocks to Front End Control 1 Module (Default)
10	FE_CTRL0_CLK_EN	R/W	1	Clock Enable for Front End Control 0 Module 0 = Disables clocks to Front End Control 0 Module 1 = Enables clocks to Front End Control 0 Module (Default)
9	DPWM3_CLK_EN	R/W	1	Clock Enable for DPWM 3 Module 0 = Disables clocks to DPWM 3 Module 1 = Enables clocks to DPWM 3 Module (Default)
8	DPWM2_CLK_EN	R/W	1	Clock Enable for DPWM 2 Module 0 = Disables clocks to DPWM 2 Module 1 = Enables clocks to DPWM 2 Module (Default)
7	DPWM1_CLK_EN	R/W	1	Clock Enable for DPWM 1 Module 0 = Disables clocks to DPWM 1 Module 1 = Enables clocks to DPWM 1 Module (Default)
6	DPWM0_CLK_EN	R/W	1	Clock Enable for SCI/UART 1 Module 0 = Disables clocks to SCI/UART 1 Module 1 = Enables clocks to SCI/UART 1 Module (Default)
5	SCI1_CLK_EN	R/W	1	Clock Enable for SCI/UART 1 Module 0 = Disables clocks to SCI/UART 1 Module 1 = Enables clocks to SCI/UART 1 Module (Default)
4	SCI0_CLK_EN	R/W	1	Clock Enable for SCI/UART 0 Module 0 = Disables clocks to SCI/UART 0 Module 1 = Enables clocks to SCI/UART 0 Module (Default)
3	ADC12_CLK_EN	R/W	1	Clock Enable for ADC12 Control Module 0 = Disables clocks to ADC12 Control Module 1 = Enables clocks to ADC12 Control Module (Default)
2	PMBUS_CLK_EN	R/W	1	Clock Enable for PMBus Interface Module 0 = Disables clocks to PMBus Interface Module 1 = Enables clocks to PMBus Interface Module (Default)
1	GIO_CLK_EN	R/W	1	Clock Enable for GIO Module 0 = Disables clocks to GIO Module 1 = Enables clocks to GIO Module (Default)

Table 9-14. Power Disable Control Register (PWRDISCTRL) Register Field Descriptions (continued)

Bit	Field	Type	Reset	Description
0	TIMER_CLK_EN	R/W	1	Clock Enable for Timer Module 0 = Disables clocks to Timer Module 1 = Enables clocks to Timer Module (Default)

9.9 GPIO Overview

Majority of the pins in UCD3138 can be configured to serve as a general purpose input or output pin (GPIO). The only pins that can not be configured as GPIO pins are the Supply pins, Ground pins, ADC-12 analog input pins, EADC analog input pins and RESET pin.

All digital pins, with the exception of RESET pin, can be configured as GPIOs. There are two ways to configure and use the digital pins as GPIO pins:

1. Through the centralized Global I/O control registers.
2. Through the distributed control registers in the specific peripheral that shares its pins with the standard GPIO functionality.

This document explains how to use Global I/O registers in order to:

1. Configure each pin as a GPIO
2. Set each pin as input or output
3. Read the pin's logic state, if it is configured as an input pin
4. Set the logic state of the pin, if it is configured as an output pin
5. Configure pin/pins as open drain or push-pull (Normal)

Specific information regarding access of GPIO pins through peripherals localized to those pins can be found in the respective UCD3138 Programmer's manual covering the peripheral.

In case interaction with a GPIO pin is time critical, GPIO usage via local peripheral settings may be advantageous. In other words interaction with some of the GPIO pins via Global I/O control registers is slower than interacting with the same GPIO pin via local peripheral settings.

As previously mentioned, in the different package options of UCD3138 several I/O functions are multiplexed and routed toward a single physical pin. I/O Mux Control register may be used in order to choose a single specific functionality that is desired to be assigned to a physical device pin for the application.

Please note, Global IO naming and assignment is tied to a specific I/O pin and has a one-to-one relationship with the normal function of each I/O pin. Therefore configuration of a pin functionality using the IOMUX register will not affect its GPIO assignment.

For example, if TCK pin is configured by IOMUX to serve as PWM-0, then the bit

- "MiscAnalogRegs.GLBIOEN.bit.TCK_IO_EN" will still control this pin, and
- "MiscAnalogRegs.GLBIOEN.bit.TMR_PWM0_IO_EN" will have no effect on the state of this pin.

9.10 Interaction with a Single Pin

Each bit in the global I/O register is defined as a single bit bit-field inside the UCD3138_misc_analog.h header file.

The following examples demonstrate interaction with these bits. The examples also intend to clarify and compare the utilization of local peripheral controls versus the use of centralized "Global I/O" controls.

Example 1: Setting a DPWM3B pin as a general purpose output (GPO), and set the output high. The following examples demonstrate two alternatives.

```

Example 1.1: configuration through DPWM registers:
Dpwm3Regs.DPWMCTRL1.bit.GPIO_A_ENA = 1; // Configure DPWM3A as a GPIO
Dpwm3Regs.DPWMCTRL1.bit.PWM_A_OE = 0; // 0 means output, 1 means input
Dpwm3Regs.DPWMCTRL1.bit.GPIO_A_VAL = 1; // Set output to high
Example 1.2: configuration through Global I/O registers:

```

```
MiscAnalogRegs.GLBIOEN.bit.DPWM3A_IO_EN = 1; // Set DPWM3A as GPIO  
MiscAnalogRegs.GLBIOOE.bit.DPWM3A_IO_OE = 1; // 1 = output, 0 = input  
MiscAnalogRegs.GLBIOVAL.bit.DPWM3A_IO_VALUE = 1; // Set output to high
```

Example 2: Setting a pin as a general purpose input (GPO). The following examples demonstrate two alternatives.

```
Example 2.1: configuration through GIO (fault) registers:  
GioRegs.FAULTDIR.bit.FLT2_DIR = 0; // 1 means output, 0 means input  
Example 2.2: configuration through Global I/O registers:  
MiscAnalogRegs.GLBIOEN.bit.FAULT2_IO_EN = 1; //Configure FAULT2 as GPIO  
MiscAnalogRegs.GLBIOOE.bit.FAULT2_IO_OE = 0; // 1 = output, 0 = input
```

9.11 Interaction with Multiple Pins

Even though single bits in Global I/O registers can be accessed sequentially in order to interact with multiple I/O pins, the following suggested alternative way can save some code and execution time.

The file `Global_IO.h` contains several constants (masks) to accommodate interaction with Global I/O bits.

Examples:

```
// Configure the ADC_EXT_TRIG, TMR_PWM1, FAULT2, FAULT3 and SYNC pins as GPIO pins
MiscAnalogRegs.GLBIOEN.all |= ADC_EXT_TRIG_GLBIO_BIT_MASK | TMR_PWM1
| FAULT2_GLBIO_BIT_MASK | FAULT3_GLBIO_BIT_MASK | SYNC_GLBIO_BIT_MASK;
// Set Both FAULT2 and FAULT3 pins high
MiscAnalogRegs.GLBIOOE.all |= FAULT2_GLBIO_BIT_MASK
| FAULT3_GLBIO_BIT_MASK;
// Clear Both FAULT2 and FAULT3 pins (set to low)
MiscAnalogRegs.GLBIOOE.all &= (FAULT2_GLBIO_BIT_MASK
| FAULT3_GLBIO_BIT_MASK);
// Connect pull-up FETs to both ADC_EXT_TRIG and SYNC pins
MiscAnalogRegs.GLBIOOD.all |= ADC_EXT_TRIG_GLBIO_BIT_MASK
| SYNC_GLBIO_BIT_MASK;
// check whether the ADC_EXT_TRIG pin or the SYNC pin are pulled high
if( MiscAnalogRegs.GLBIOREAD.all &
    (ADC_EXT_TRIG_GLBIO_BIT_MASK | SYNC_GLBIO_BIT_MASK))
```

9.12 Registers

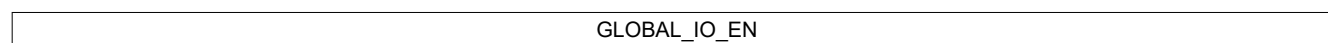
9.12.1 Global I/O EN Register (GBIOEN)

Address FFF7F018

Figure 9-9. Global I/O EN Register (GBIOEN)

29

0



R/W-00 0000 0000 0000 0000 0000 0000

LEGEND: R/W = Read/Write; R = Read only; -n = value after reset

Table 9-15. ADC Control Register (ADCCTRL) Register Field Descriptions

Bit	Field	Type	Reset	Description
29-0	GLOBAL_IO_EN	R/W	00 0000 0000 0000 0000 0000 0000 0000	This register enables the global control of digital I/O pins 0 = Control of IO is done by the functional block assigned to the IO (Default) 1 = Control of IO is done by Global IO registers.

Bit assignment is done by this table:

BIT	PIN_NAME	BIT	PIN_NAME
29	FAULT[3]	14	CONTROL
28	ADC_EXT_TRIG	13	ALERT
27	TCK	12	EXT_INT
26	TDO	11	FAULT[2]
25	TMS	10	FAULT[1]
24	TDI	9	FAULT[0]
23	SCI_TX[1]	8	SYNC
22	SCI_TX[0]	7	DPWM3B
21	SCI_RX[1]	6	DPWM3A
20	SCI_RX[0]	5	DPWM2B
19	TMR_CAP	4	DPWM2A
18	TMR_PWM[1]	3	DPWM1B
17	TMR_PWM[0]	2	DPWM1A
16	PMBUS-CLK	1	DPWM0B
15	PMBUS-DATA	0	DPWM0A

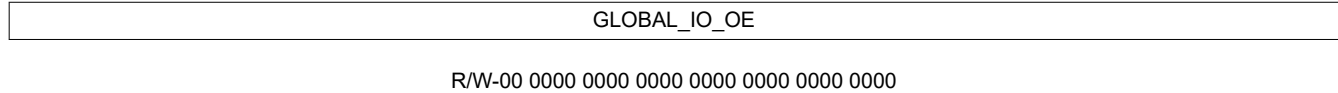
9.12.2 Global I/O OE Register (GLBIOOE)

Address FFF7F01C

Figure 9-10. Global I/O OE Register (GLBIOOE)

29

0



LEGEND: R/W = Read/Write; R = Read only; -n = value after reset

Table 9-16. Global I/O OE Register (GLBIOOE) Register Field Descriptions

Bit	Field	Type	Reset	Description
29-0	GLOBAL_IO_OE	R/W	00 0000 0000 0000 0000 0000 0000 0000	This register controls the output enable signals for all digital I/O pins 0 = Input (Default) 1 = Output

Bit assignment is done by this table:

BIT	PIN_NAME	BIT	PIN_NAME
29	FAULT[3]	14	CONTROL
28	ADC_EXT_TRIG	13	ALERT
27	TCK	12	EXT_INT
26	TDO	11	FAULT[2]
25	TMS	10	FAULT[1]
24	TDI	9	FAULT[0]
23	SCI_TX[1]	8	SYNC
22	SCI_TX[0]	7	DPWM3B
21	SCI_RX[1]	6	DPWM3A
20	SCI_RX[0]	5	DPWM2B
19	TMR_CAP	4	DPWM2A
18	TMR_PWM[1]	3	DPWM1B
17	TMR_PWM[0]	2	DPWM1A
16	PMBUS-CLK	1	DPWM0B
15	PMBUS-DATA	0	DPWM0A

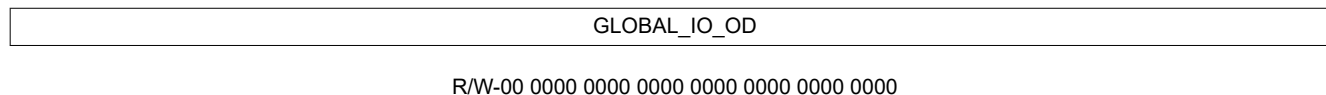
9.12.3 Global I/O Open Drain Control Register (GLBLOOD)

Address FFF7F020

Figure 9-11. Global I/O Open Drain Control Register (GLBLOOD)

29

0



LEGEND: R/W = Read/Write; R = Read only; -n = value after reset

Table 9-17. Global I/O Open Drain Control Register (GLBLOOD) Register Field Descriptions

Bit	Field	Type	Reset	Description
29-0	GLOBAL_IO_OD	R/W	00 0000 0000 0000 0000 0000 0000 0000	This register controls if the global IO is configured as an open drain. This bit multiplexes the GLOBAL_IO_VALUE register to the OE signals 0 = Normal I/O (Default) 1 = Open Drain

Bit assignment is done by this table:

BIT	PIN_NAME	BIT	PIN_NAME
29	FAULT[3]	14	CONTROL
28	ADC_EXT_TRIG	13	ALERT
27	TCK	12	EXT_INT
26	TDO	11	FAULT[2]
25	TMS	10	FAULT[1]
24	TDI	9	FAULT[0]
23	SCI_TX[1]	8	SYNC
22	SCI_TX[0]	7	DPWM3B
21	SCI_RX[1]	6	DPWM3A
20	SCI_RX[0]	5	DPWM2B
19	TMR_CAP	4	DPWM2A
18	TMR_PWM[1]	3	DPWM1B
17	TMR_PWM[0]	2	DPWM1A
16	PMBUS-CLK	1	DPWM0B
15	PMBUS-DATA	0	DPWM0A

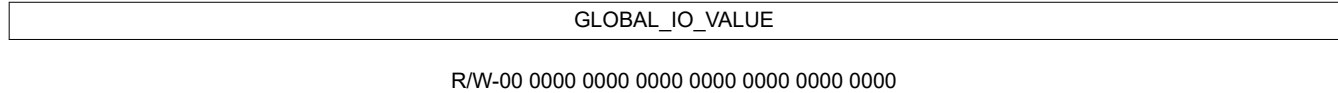
9.12.4 Global I/O Value Register (GLBIOVAL)

Address FFF7F024

Figure 9-12. Global I/O Value Register (GLBIOVAL)

29

0



LEGEND: R/W = Read/Write; R = Read only; -n = value after reset

Table 9-18. Global I/O Value Register (GLBIOVAL) Register Field Descriptions

Bit	Field	Type	Reset	Description
29-0	GLOBAL_IO_VALUE	R/W	00 0000 0000 0000 0000 0000 0000 0000	This register set the output value of the digital I/O pins when configured as outputs 0 = Digital I/O pin configured as low in output mode (Default) 1 = Digital I/O pin configured as high in output mode

Bit assignment is done by this table:

BIT	PIN_NAME	BIT	PIN_NAME
29	FAULT[3]	14	CONTROL
28	ADC_EXT_TRIG	13	ALERT
27	TCK	12	EXT_INT
26	TDO	11	FAULT[2]
25	TMS	10	FAULT[1]
24	TDI	9	FAULT[0]
23	SCI_TX[1]	8	SYNC
22	SCI_TX[0]	7	DPWM3B
21	SCI_RX[1]	6	DPWM3A
20	SCI_RX[0]	5	DPWM2B
19	TMR_CAP	4	DPWM2A
18	TMR_PWM[1]	3	DPWM1B
17	TMR_PWM[0]	2	DPWM1A
16	PMBUS-CLK	1	DPWM0B
15	PMBUS-DATA	0	DPWM0A

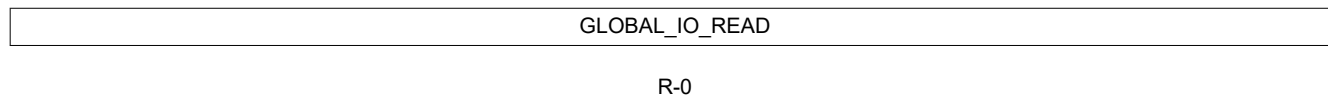
9.12.5 Global I/O Read Register (GLBIOREAD)

Address FFF7F028

Figure 9-13. Global I/O Read Register (GLBIOREAD)

29

0



LEGEND: R/W = Read/Write; R = Read only; -n = value after reset

Table 9-19. Global I/O Read Register (GLBIOREAD) Register Field Descriptions

Bit	Field	Type	Reset	Description
29-0	GLOBAL_IO_READ	R	0	This register provides the value on these signals after I/O muxing 0 = Digital I/O pin low (Default) 1 = Digital I/O pin high

Bit assignment is done by this table:

BIT	PIN_NAME	BIT	PIN_NAME
29	FAULT[3]	14	CONTROL
28	ADC_EXT_TRIG	13	ALERT
27	TCK	12	EXT_INT
26	TDO	11	FAULT[2]
25	TMS	10	FAULT[1]
24	TDI	9	FAULT[0]
23	SCI_TX[1]	8	SYNC
22	SCI_TX[0]	7	DPWM3B
21	SCI_RX[1]	6	DPWM3A
20	SCI_RX[0]	5	DPWM2B
19	TMR_CAP	4	DPWM2A
18	TMR_PWM[1]	3	DPWM1B
17	TMR_PWM[0]	2	DPWM1A
16	PMBUS-CLK	1	DPWM0B
15	PMBUS-DATA	0	DPWM0A

9.13 Need to Clear HFO_LN_FILTER_EN Bit

For all programs, the HFO_LN_Filter_EN bit needs to be cleared.

CAUTION

For the best clock accuracy over temperature, the HFO_LN_FILTER_EN bit in the CLKTRIM register should be cleared.

The data sheet specification for clock performance is characterized with this bit cleared. It is necessary for the customer program to clear this bit, since the default value is for this bit to be set.

The other bits in the CLKTRIM register are trim values which will vary from device to device, so they should not be changed.

This Caution only applies to the UCD3138. All other devices in the UCD3138 family do not need to have this bit cleared. The UCD3138A is backward compatible, so that a program which clears this bit will still run correctly.

The suggested code for clearing the bit without affecting the other trim bits is:

```
MiscAnalogRegs.CLKTRIM.bit.HFO_LN_FILTER_EN = 0;
```

9.13.1 Clock Trim Register (CLKTRIM) (For Factory Test Use Only, Except HFO_LN_FILTER_EN)

Address FFF7F000

Figure 9-14. Clock Trim Register (CLKTRIM) (For Factory Test Use Only, Except HFO_LN_FILTER_EN)

15	6	5	4	0
Reserved		HFO_L N_FILTER_EN	Reserved	
R-X		R/W-1	R-X	

LEGEND: R/W = Read/Write; R = Read only; -n = value after reset

**Table 9-20. Clock Trim Register (CLKTRIM) (For Factory Test Use Only, Except HFO_LN_FILTER_EN)
Register Field Descriptions**

Bit	Field	Type	Reset	Description
15-6	Reserved	R	X	These are trim bits and should be set at final test. Do not change.
5	HFO_LN_FILTER_EN	R/W	1	High Frequency Oscillator Low Noise Filter. Register should be cleared by firmware.
4-0	Reserved	R	X	These are trim bits and should be set at final test. Do not change.



The UCD3138 family has a powerful and flexible PMBus/I2C interface. It has support for master mode, but its primary use is in slave mode. Here are some of its features in slave mode:

- Supports most I2C functions.
- Designed to reduce CPU overhead
 - Receives/Transmits up to 4 bytes at once
 - Handles all PMBus sequencing in hardware
 - Automatic Stop/Start sequence detection in hardware
 - Provides automatic optimized clock stretching
 - Automatic Acknowledge of Address, Command, and Data
 - Can be used with polling alone, no interrupts needed
 - Provides automatic PEC generation/checking
 - Automatic hardware implementation of Alert arbitration
 - Automatic Clock Low Timeout detection in hardware
 - Address Mask permits automatic acknowledge of multiple addresses
- Flexible
 - Supports polling and interrupt-driven firmware
 - Can be configured to automatically acknowledge 1, 2, or 3 bytes of data at a time – on the fly.
 - Auto or manual acknowledge of Address and Command bytes
 - Supports 100 and 400 kHz
 - Access to state of each PMBus Pin
- Additional features supported on some devices
 - 2 address registers permit automatic acknowledgement of any 2 addresses
 - 2 PMBus/I2C interfaces on one device
 - Clock High Timeout detection in hardware
 - Support for I2C in Master mode

10.1 PMBus Register Summary	371
10.2 PMBus Slave Mode Initialization	371
10.3 PMBus Slave Mode Command Examples	373
10.4 Avoiding Clock Stretching	385
10.5 PMBus Slave Mode Low Level Timing	387
10.6 Effect of MAN_SLAVE_ACK bit on EOM Handling	389
10.7 Master Mode Operation Reference	390
10.8 PMBUS Communications Fault Handling	399
10.9 Other Functions of the PMBus Module	400
10.10 PMBus Interface Registers Reference	401

10.1 PMBus Register Summary

The PMBus interface has 9 registers.

- PMBCTRL1 – control for master mode only
- PMBCTRL2 – control for slave mode only
- PMBCTRL3 – control for both modes and for using pins as GPIO
- PMBINTM – interrupt masks for both modes
- PMBST – status bits – many are clear on read bits
- PMBRXBUF – holds up to 4 bytes of received data
- PMBTXBUF – holds up to 4 bytes of data to be transmitted
- PMBACK – write a 1 to ACK, or a 0 to NACK
- PMBHSA – holds slave address which was automatically acknowledged

For a detailed description of each register and bitfield see [Section 10.10](#).

10.2 PMBus Slave Mode Initialization

This section and the following ones reference specific registers and bitfields in the PMBus/I2C interface. There are several ways to use the PMBus for slave mode. Many TI EVM codes use polling, not interrupts. It's not hard to write the background loop to call the PMBus function every 2 or 3 msec worst case. This is plenty to meet the PMBus timing requirements. It frees up the CPU for more urgent power supply tasks. It is also possible to use interrupts to run the PMBus.

10.2.1 Initialization for Polling and Maximum Automatic Acknowledgement

Here are the register settings to disable interrupts and to set up for as much automatic acknowledgement and PEC calculation as possible:

- PMBCTRL1 – All zeroes – this is the default, so no write is necessary
- PMBCTRL2 – Several bits need to be set
 - RX_BYTE_ACK_CNT = 3 – this means up to 3 bytes will be auto acknowledged – it is the default state of these bits after reset
 - PEC_ENA = 1 – this enables the automatic PEC calculation logic – this is not the default state
 - SLAVE_MASK = 0x7F - This makes the interface auto acknowledge only one address – this is the default state.
 - SLAVE_ADDR = desired slave address – this defaults to 0x7c
 - The other bits in PMBCTRL2 should be left in the default zero state for this mode
- PMBCTRL3 – set SLAVE_EN, clear all other bits – this is the default state
 - In slave mode, even if 400 kHz is desired, there's no need to set the FAST_MODE bit.
 - FAST_MODE only affects the timing of the BUS_FREE bit and, of course, the output clock rate, both of which are only used in master mode. It has no effect on any slave mode timings.
- PMBINTM – set all bits to mask off all PMBus interrupts – this is the default state

10.2.2 Initialization for Interrupts and for Manual Acknowledgement

If an interrupt driven PMBus interface is desired, just write ones to the appropriate bits in PMBINTM. Note that DATA_READY, DATA_REQUEST and EOM are the only ones absolutely required. Some of the other interrupts are only for master mode, some are for Alert and Control, and some are discretionary for slave mode.

If manual acknowledgement is desired, there are three bitfields which can be modified, all in PMBCTRL2.

- RX_BYTE_CNT
 - Default = 3, meaning 3 bytes auto acknowledged, 2 for 2 bytes, and so on
 - These settings are useful if the Master requires invalid data to be NACKed
 - They can be set dynamically as the message comes in.
- MAN_CMD
 - Default = 0 – command auto acknowledged
 - 1 – command must be acknowledged by firmware.
 - This is useful if the Master requires invalid commands to be NACKed

- **MAN_SLAVE_ACK**
 - Default = 0 – slave address ACKed automatically.
 - 1 – Slave address must be acknowledged by firmware
 - This is useful if multiple slave addresses are desired and the mask register can't provide them automatically

All manual ACKs should only be used if necessary for the application, as they will increase CPU and bus overhead.

10.2.3 Initialization for I2C

The I2C bus is very similar to the PMBus. One difference is that the I2C has no maximum clock low time. The PMBus has a 35 msec maximum clock low time, and the UCD3138 PMBus interface automatically detect violations of this. If this functionality is not desired, you can set the CLK_LO_DIS bit in PMBCTRL3.

10.2.4 Initialization for Advanced Features in Some Devices

Several newer UCD3138 family members have advanced features in the PMBus interface:

10.2.4.1 Auto Acknowledge of Second Address

The UCD3138A64, UCD3138A64A, UCD3138128 and UCD3138128A can automatically acknowledge a second address. To use this:

- Write the address to the SLAVE_ADDR_2 bitfield in PMBCTRL2
- Set the SLAVE_ADDR_2_EN bit in PMBCTRL2
- These fields are only available on the '128 and '128A devices

10.2.4.2 Clock High Timeout Detection

The UCD3138 and UCD3138064 devices have bits called CLK_HIGH_DETECT (in PBINTM) and CLK_HIGH_TIMEOUT (in PMBST) but they are not recommended for use.

On the UCD3138A, UCD3138064A, UCD3138A64, UCD3138A64A, UCD3138128 and UCD3138128A, the Clock High Timeout function is usable. Because of the need for backward compatibility, the UCD3138A and the UCD3138064A handle it a bit differently than the other devices.

All of the devices which support Clock High Timeout have an enable/disable bit added to PMBCTRL3. On the 'A64, 'A64A, '128 and '128A, the bit is an disable bit which defaults to a 1. On the UCD3138A and the '064A, it is an enable bit which defaults to a zero. This is to provide backward compatibility because bit was a zero in the non-a versions of those chips.

The name of the bit in PBINTM also changes. Here is a table of all the chips with the bit names:

	PMBST	PMBINTM	PMBCTRL3	Notes
UCD3138	CLK_HIGH_TIMEOUT	CLK_HIGH_DETECT	N/A	Do not use
UCD3138064	CLK_HIGH_TIMEOUT	CLK_HIGH_DETECT	N/A	Do not use
UCD3138A64	CLK_HIGH_TIMEOUT	CLK_HIGH_TIMEOUT	CLK_HI_DIS	Low to enable
UCD3138128	CLK_HIGH_TIMEOUT	CLK_HIGH_TIMEOUT	CLK_HI_DIS	Low to enable
UCD3138A	CLK_HIGH_TIMEOUT	CLK_HIGH_DETECT	CLK_HI_EN	High to enable
UCD3138064A	CLK_HIGH_TIMEOUT	CLK_HIGH_DETECT	CLK_HI_EN	High to enable
UCD3138A64A	CLK_HIGH_TIMEOUT	CLK_HIGH_TIMEOUT	CLK_HI_DIS	Low to enable
UCD3138128A	CLK_HIGH_TIMEOUT	CLK_HIGH_TIMEOUT	CLK_HI_DIS	Low to enable

To enable clock high detection on the chips which support it, either set the CLK_HI_EN bit or clear the CLK_HI_DIS bit in PMBCTRL3. If the PMBus Clock pin stays high for 50 msec in the middle of a message to the UCD, the CLK_HIGH_TIMEOUT bit in PMBST will be set and the PMBus hardware will go to an idle state and wait for a new message. To enable an interrupt, clear the bit in PMBINTM.

The 50 msec time is not an official PMBus specification, but it is a useful way to determine if the bus clock is stuck high. With the hardware timeout detection, it is not necessary to use any firmware to detect timeout.

10.3 PMBus Slave Mode Command Examples

The logic and timing of the PMBus interface is best explained by some examples of PMBus commands. The detailed timing numbers are in [Section 10.5](#).

10.3.1 Write Command (Send Byte), No PEC

This is the simplest PMBus command, requiring only 2 bytes. The messages will first be shown with all auto acknowledgement enabled. With auto-acknowledgement, this message and all short write messages can be handled with one short sequence of code, executed once per message. The start of the next message is included in the drawing. This shows the timing requirements if a second message follows with no delay.

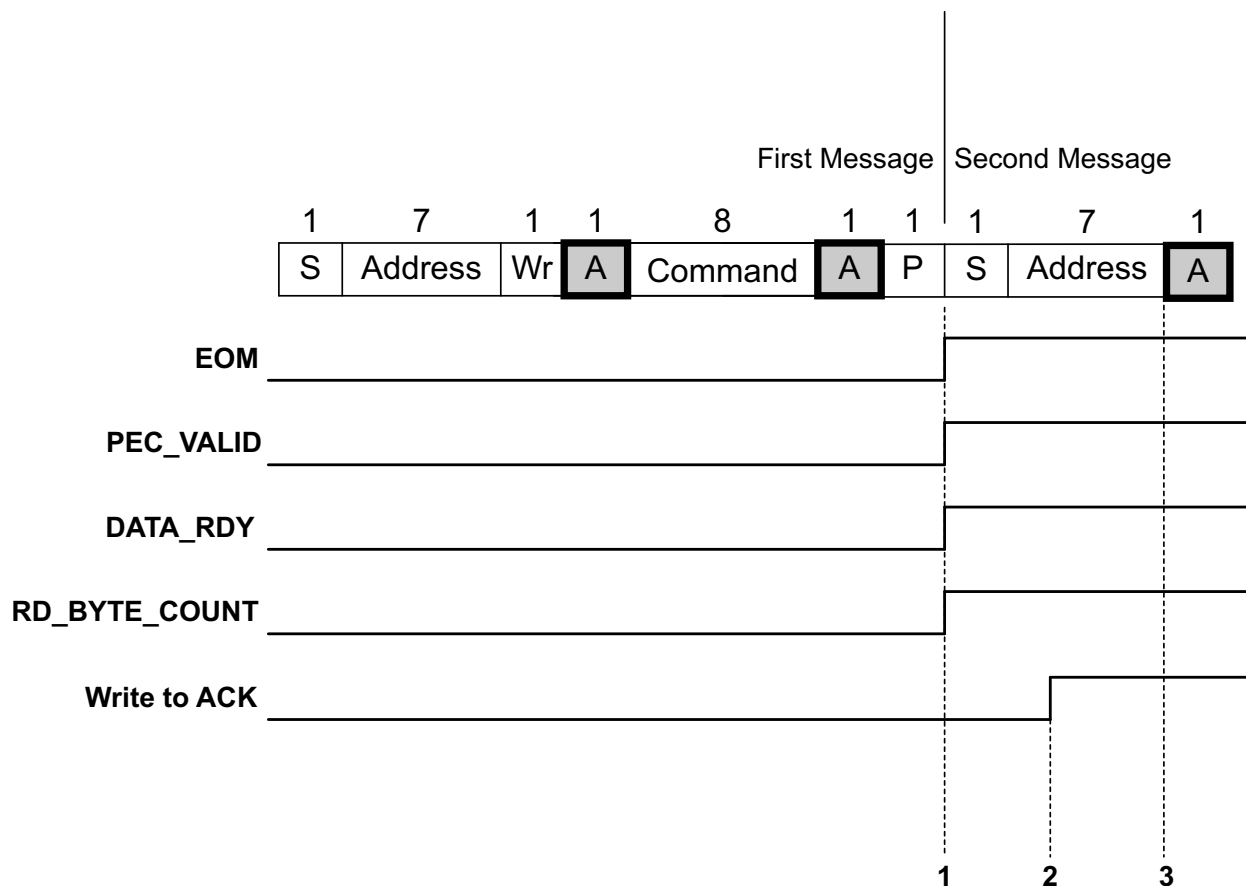


Figure 10-1.

1. End of Message indicated by rising edge on PMBUS_DATA pin (PMBus STOP)
 - After a delay of tEOM from the falling edge, 4 things occur simultaneously
 - EOM bit is set
 - PEC_VALID is set if the last byte matches a valid PEC. Since this message doesn't have a PEC, the result will be random, depending if the PEC calculation happens to match. In all these drawings, a rising edge on the PEC_VALID line means that the PEC_VALID bit is set or cleared to indicate whether the last byte was a valid PEC for the message.

- DATA_RDY is set
 - RD_BYTE_COUNT is set to 1
2. The firmware will read the PMBST (status) register. This will clear all the clear on read status bits. It will also clear any interrupts caused by those bits. The firmware will determine which message type is present from the PMBST bits.
 3. Next the firmware needs to get the data from the RXBUF register. Then it needs to write a 1 to the ACK register. This tells the PMBus hardware that it can accept new data. In this case, the ACK is only used internally to tell the interface that the firmware has recognized the EOM. The ACK bit is cleared immediately on being set. Writing a NACK (zero) to the ACK register is not appropriate here, since the entire message has already been ACKed by the hardware. Writing a NACK may cause issues with later messages.
 4. If the ACK register is not written to from by point 3, and the address for the second message is also auto acknowledged by the hardware, clock stretching will start at the beginning of the next ACK. If the address doesn't match what's programmed into the PMBus slave address, no clock stretching will occur. The timing between a write to the ACK register and the release of the clock stretch will be $t_{ACKWRITE}$. The clock stretching is automatically provided by the hardware with no firmware action required.

10.3.2 Other Simple Writes with Auto Acknowledge

Writes with an address and up to 3 bytes of data/command/PEC will be handled essentially the same way as the one with a single byte.

For simplicity, the ACK and clock stretching sequence will be left off these drawings.

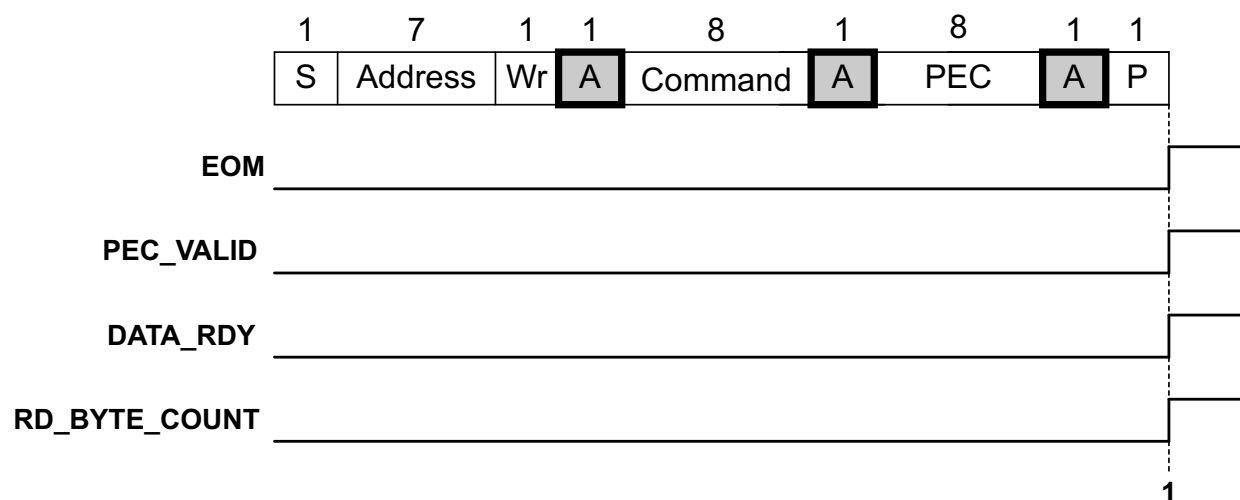


Figure 10-2. Command with PEC

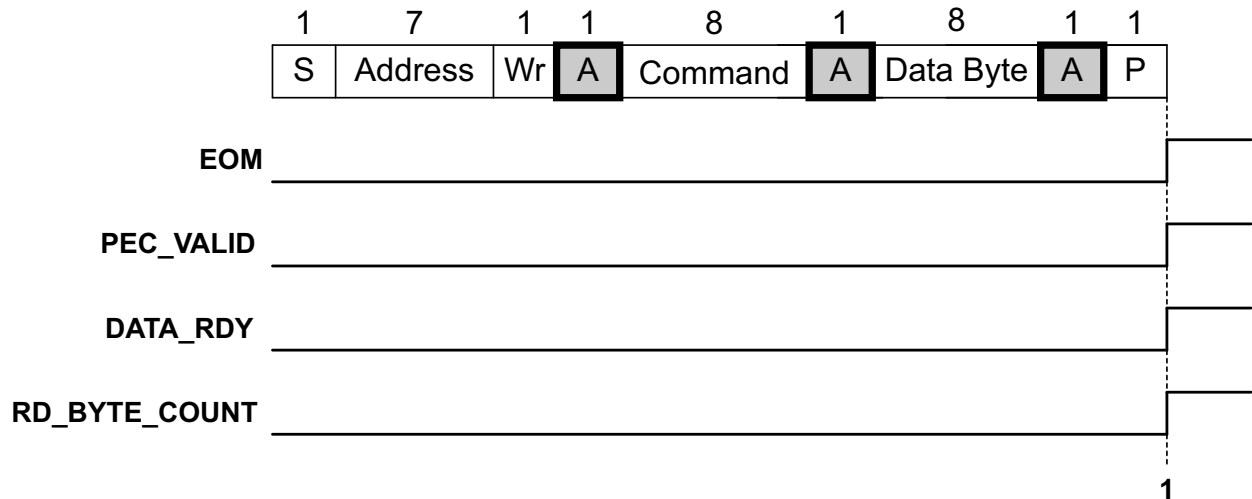


Figure 10-3. Write Command and Byte - No PEC

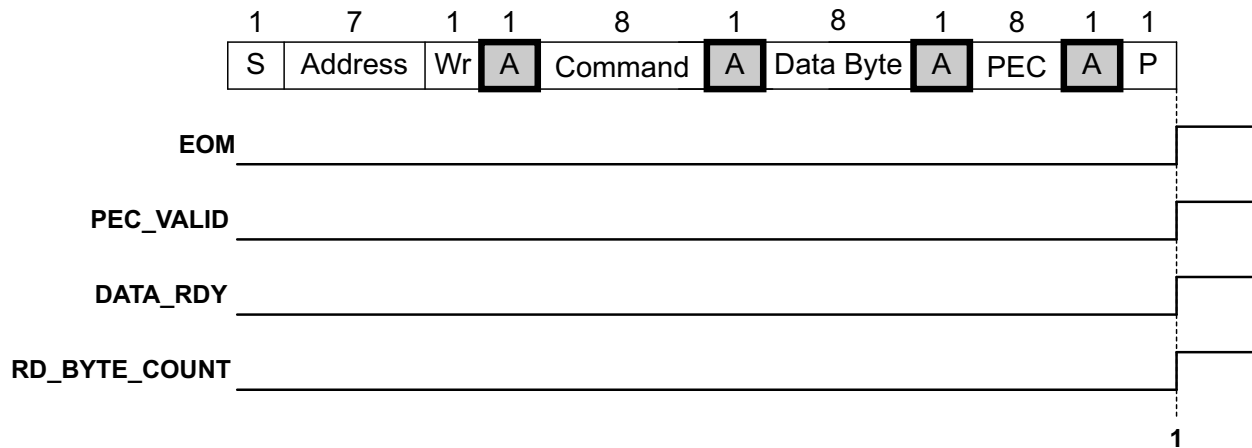


Figure 10-4. Write Command and Byte - with PEC

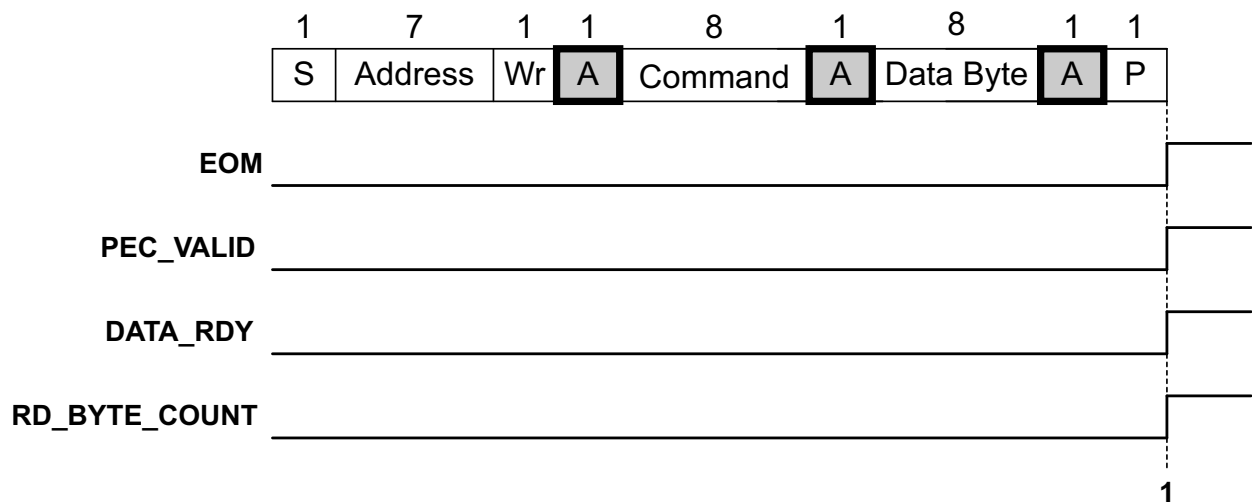


Figure 10-5. Write 2 Bytes with no PEC

All of these diagrams have the same basic operation – at the end of the message the firmware simply has to read the RXBUF and set the ACK bit, and process the message. The only difference is the number put in

RD_BYTE_COUNT, and the value put in PEC_VALID. The command byte, any data bytes, and the PEC all are included in the RD_BYTE_COUNT.

10.3.3 Quick Command Write

The Quick Command has only the address byte with the R/W bit cleared to indicate a write. It is just the same as the messages above, except the DATA_RDY and RD_BYTE_COUNT bits will not be set. Since there is no data, only the EOM bit will be set. Ignore PEC_VALID.

10.3.4 Writes of 4 Bytes or More With Full Auto Acknowledge

At 4 bytes counting command, data, and PEC, if any, the 4 byte RXBUF will be full. The RXBUF must be read, and the ACK bit set, before the PMBus hardware can accept more data. If the firmware is quick enough, there will be no clock stretching. The PMBus hardware automatically provides clock stretching on the ACK for the 4th byte, if it is necessary. Here is the timing diagram:

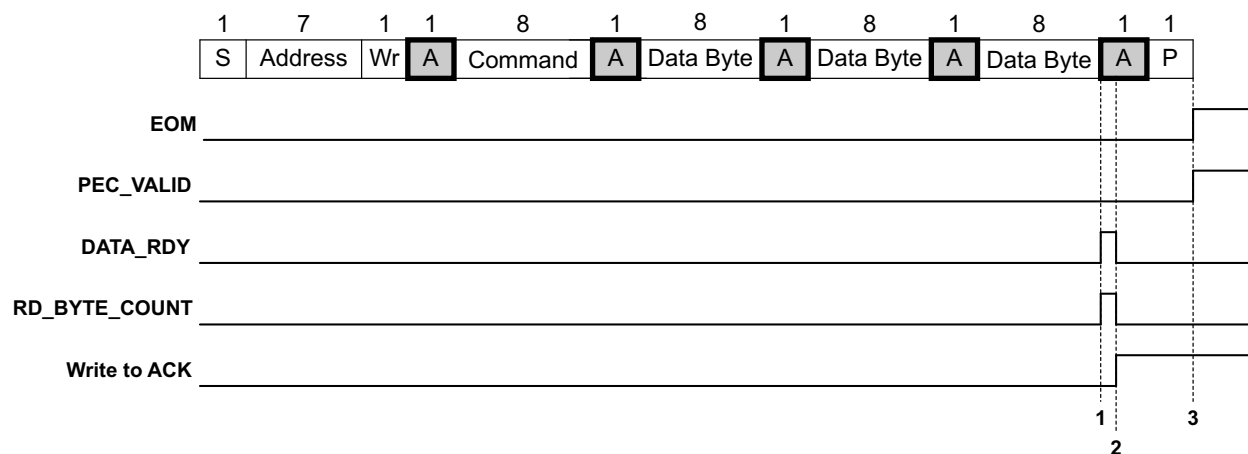


Figure 10-6. Timing Diagram

1. RXBUF is full, number of bytes received is equivalent to RX_BYTE_ACK_CNT. DATA_RDY is set and RD_BYTE_COUNT is loaded with a 4. The interface is prepared to stretch the clock. This occurs t_{DRDY} after the falling edge of the clock for bit 8.
2. The firmware reads the data from RXBUF and writes a 1 to the ACK bit. This turns off the clock stretch. The delay between write to ACK and disable of clock stretch is $t_{ACKWRITE}$. Reading from PMBST clears the DATA_RDY bit and the RD_BYTE_COUNT bits.
3. On the falling edge of PMBUS_CLK indicating the STOP signal, the EOM bit is set, and the PEC_VALID bit is set or cleared to indicate if the last byte was a valid PEC. The timing after the falling edge is t_{EOM} .

If step 3 is delayed, clock stretching of the next valid address will occur in the same way as described in [Section 10.3.1](#).

The exact same sequence will occur if the 3rd data byte is replaced with a valid PEC, except that the PEC_VALID bit will be always set.

For messages with 5 through 7 bytes, the sequence will be as described below:

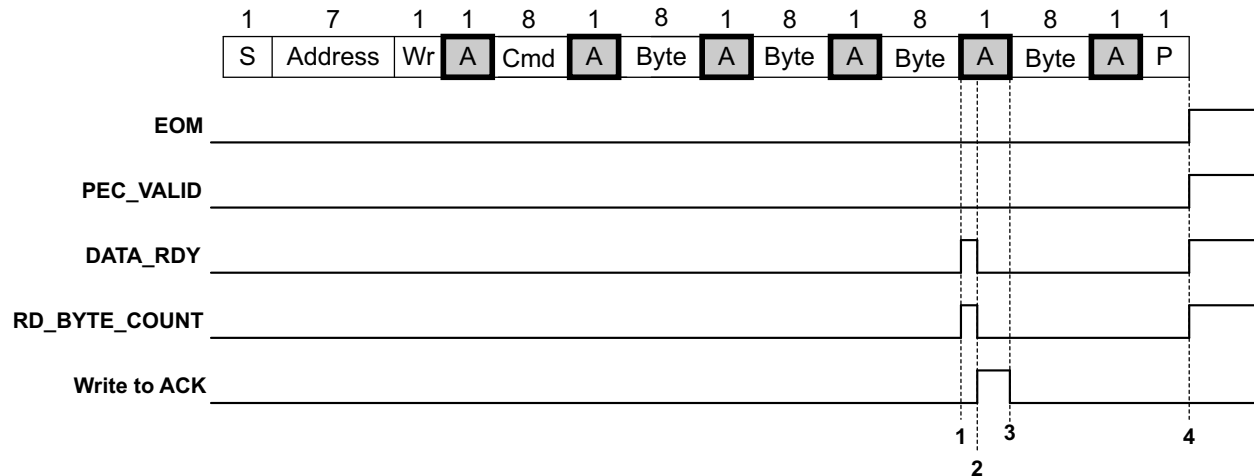


Figure 10-7. Write 4 Bytes + Command

There are 4 items here:

1. DATA_RDY and RD_BYTE_COUNT set as described above
2. DATA_RDY and RD_BYTE_COUNT cleared by read from PMBST, data read from RXBUF, 1 written to ACK bit. Clock stretch released.
3. ACK bit cleared by occurrence of ACK on bus.
4. Here the EOM and DATA_RDY bit are set, and the RD_BYTE_COUNT and PEC_VALID bits are loaded with appropriate values. RD_BYTE_COUNT will be loaded with a 1, showing that there is one byte in the RXBUF. After this, the sequence is the same as described in [Section 10.3.1](#).

Writing 6 and 7 total bytes will have the same effect, except that there will be a different number in the RD_BYTE_COUNT register. At 8 bytes, the sequence at the end of the message will be the same as at 4 bytes, because RXBUF will be full again. At 9 bytes, the end of the message will be the same as at 5. And it will continue the same after that. If the RXBUF is not full when the STOP occurs, all 4 bitfields will be loaded simultaneously. If the last byte fills up RXBUF, the data must be acknowledged by writing to ACK before the clock stretch will be released.

10.3.5 Writes with Less than 3 Bytes Auto-Acknowledged

All the timing above assumes that RX_BYTE_ACK_CNT is set to the maximum value of 3, meaning that 3 bytes will be ACKed automatically. If it is set to 2, for example, the sequence will repeat every 3 bytes, instead of every 4.

If it is set to 0, every byte will need to be ACKed the same way as shown above for every 4 bytes.

Using less than 4 bytes in the RX_BYTE_ACK_CNT is only recommended if the requirement is for NACK of invalid data. Otherwise it leads to unnecessary overhead for the CPU and the bus.

10.3.6 Manual Slave Address ACK for Write.

If the MAN_SLAVE_ACK bit is set, then the firmware must manually ACK the slave address. Normally this is used if there are multiple addresses which must be decoded, and where the mask register will not cover them all. Here is the sequence when a write occurs:

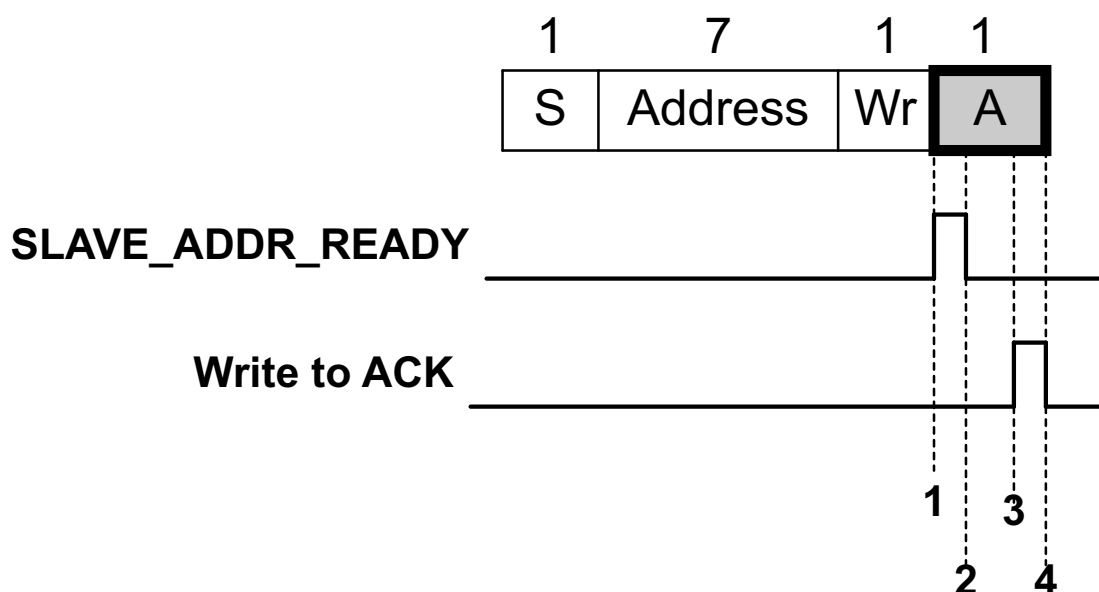


Figure 10-8. Slave Address Manual ACK for Write

The steps are:

1. At delay t_{SAR} after the falling edge of the clock for the 8th bit in the address, the SLAVE_ADDR_READY bit is set.
2. The firmware reads PMBST, clearing the SLAVE_ADDR_READY bit. The firmware then reads the slave address from the RXBUF. The slave address is in the first 7 bits, the most significant bit is random, and should be masked out.
3. The firmware writes a 1 (if the address matches) or a 0 (if the address doesn't match) to the ACK bit. Clock stretch will be cleared $t_{ACKWRITE}$ after the ACK bit is written to. If the firmware is fast enough, no clock stretch will occur.
4. The ACK will be cleared by the end of the ACK sequence.

The manual slave ACK has no effect on later bytes in the sequence, so there is no need to show full sequences with manual slave ACK at the beginning. All sequences will be the same as if there is an automatic slave ACK after step 4 in the figure above.

10.3.7 Manual Command ACK

If the MAN_CMD bit is set, the firmware will be required to manually acknowledge every command. This should only be used if there is a requirement for NACK of invalid commands. Here is the sequence for this byte:

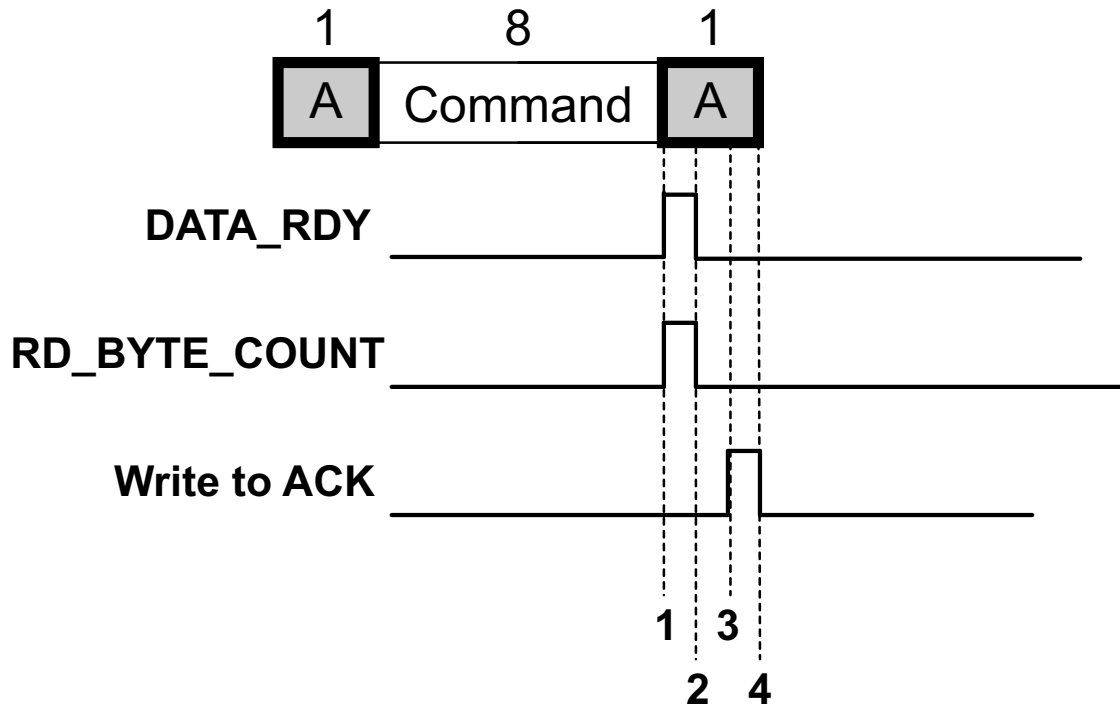


Figure 10-9. Manual ACK Command

Manual command timing is actually exactly the same as the timing for a byte when the RXBUF needs to be read:

1. t_{DRDY} after the falling clock for the last bit of the command, DATA_RDY is set, and 1 is put into RD_BYTE_COUNT.
2. The firmware reads PMBST, and then reads the command from RXBUF
3. The firmware writes a 1 or a 0 to the ACK register, depending on whether the command is accepted or not. $t_{ACKWRITE}$ after the write to ACK, any clock stretch is ended. If the firmware is fast enough, clock stretching will not occur at all.
4. The ACK bit is cleared by the end of the ACK signal on the bus.

10.3.8 Read Messages with Full Automation

Like write messages, read messages can be handled most efficiently by using the full 4 bits of the buffer, TXBUF in this case. With automatic address acknowledgement, the Read command can be handled almost as efficiently as the write command. This is especially true of the simplest case, which is I2C specific, not supported in the PMBus – read only. Here is the sequence diagram:

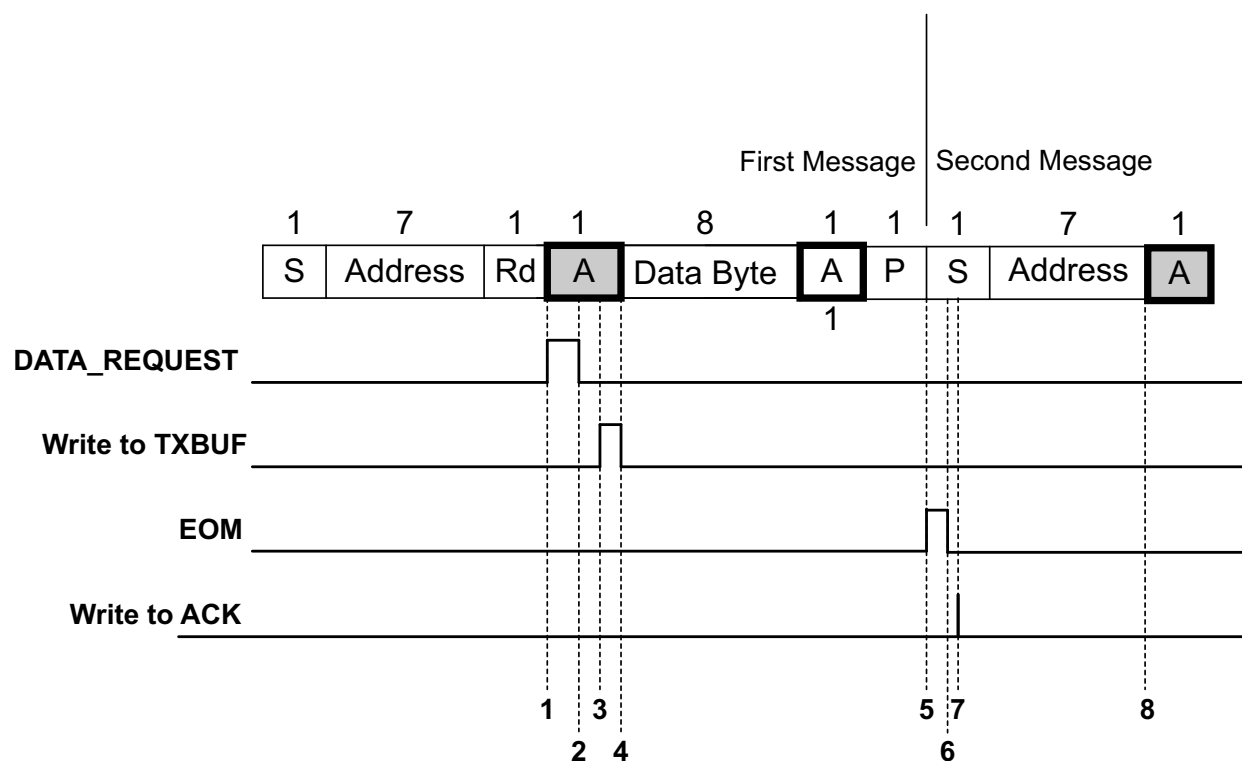


Figure 10-10. Simple Read with Full Automation

1. DATA_REQUEST is set t_{DREQ1} nanoseconds after the falling edge of the clock for the last bit of the address.
2. The firmware reads from PMBST, clearing the DATA_REQUEST bit. Since one byte is being sent out, the firmware needs to make sure that TX_COUNT is set to 1.
3. Next the firmware needs to write the byte to TXBUF. It takes $t_{txbwrite}$ ns after the write for any clock stretching of the ACK to be ended. If the firmware is fast enough, no clock stretching will occur.
4. As soon as the data starts being transmitted, the TXBUF is transferred to the shift register
5. The EOM bit will be set t_{EOM} ns after the falling edge of the data line indicating the stop signal.
6. The firmware needs to read the PMBST register, which will clear the EOM bit.
7. Then the firmware needs to write to the ACK register. This is just an internal ACK to tell the interface that the EOM has been detected. The ACK bit is cleared immediately, since there is no wait for an external ACK to complete.
8. Like the write message, there is no clock stretch until a valid address is detected. If the ACK is written to before this, there is no clock stretch at all.

Note that the A with a 1 below and with no grey background means a NACK from the master, which is appropriate for the last byte of a read message.

10.3.9 Simple Read of 4 Bytes with Full Automation

Up to 4 bytes can be read with the same number of firmware steps as 1 byte, taking advantage of the 4 byte TXBUF. Here is a sequence diagram for 4 bytes:

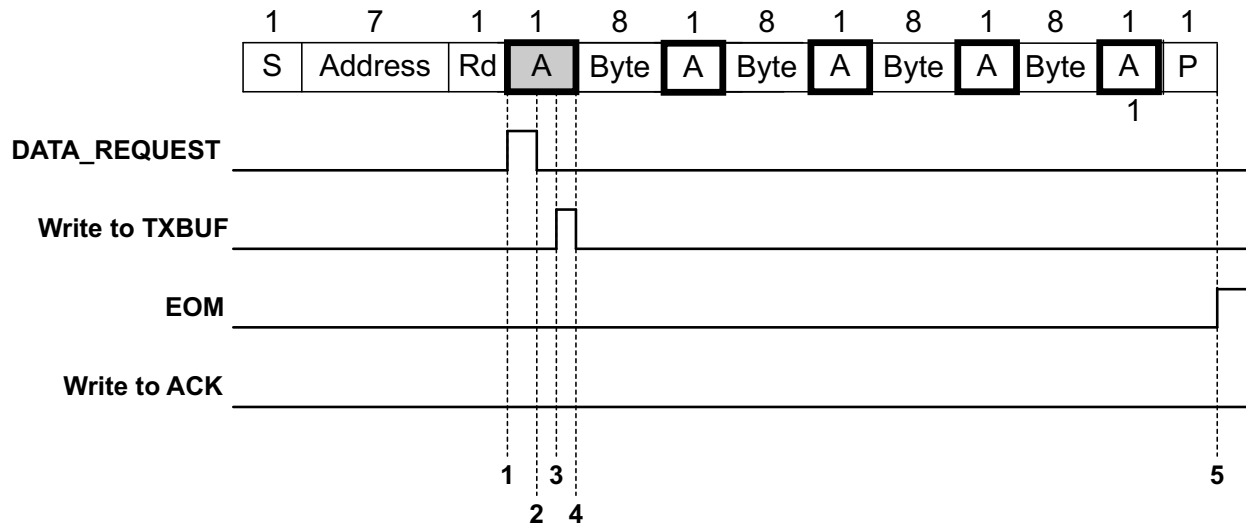


Figure 10-11. Simple Read of 4 Bytes with Full Automation

The steps are exactly the same as the sequence for 1 byte above, except that TX_COUNT needs to be 4 before TXBUF is written. Steps 6, 7, and 8 are the same for all reads, and will only be shown in the 1 byte case to reduce complexity on the longer message sequence diagrams.

10.3.10 Simple Read of More than 4 Bytes with Full Automation

After the 4 byte TXBUF is emptied, there is a sequence for reloading it. Here is the diagram:

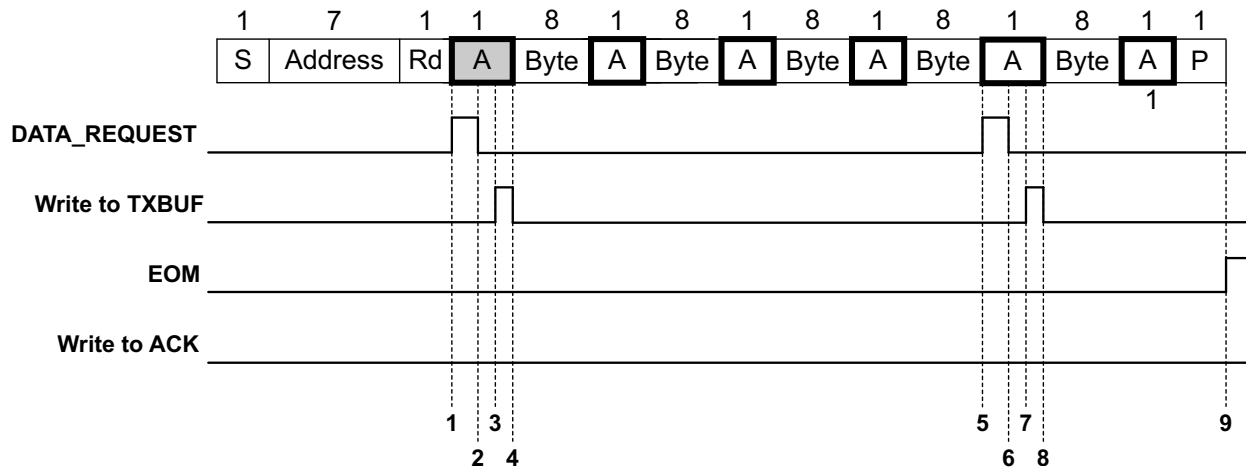


Figure 10-12. Simple Read of 5 Bytes with Full Automation

1. DATA_REQUEST is set t_{DREQ1} nanoseconds after the falling edge of the clock for the last bit of the address.
2. The firmware reads from PMBST, clearing the DATA_REQUEST bit. Since 4 bytes are being sent out, the firmware needs to make sure that TX_COUNT is set to 4.
3. Next the firmware needs to write the bytes to TXBUF. All 4 bytes must be written in a single word write operation. It takes $t_{txbwrite}$ ns after the write for any clock stretching of the ACK to be ended. If the firmware is fast enough, no clock stretching will occur.
4. As soon as the data starts being transmitted, the TXBUF is transferred to the shift register
5. DATA_REQUEST is set t_{DREQ1} nanoseconds after the falling edge of the clock for the last bit of the fourth byte.
6. The firmware reads from PMBST, clearing the DATA_REQUEST bit. Since one byte is being sent out, the firmware needs to make sure that TX_COUNT is set to 1.
7. Next the firmware needs to write the byte to TXBUF. It takes $T_{txbwrite}$ ns after the write for any clock stretching of the ACK to be ended. If the firmware is fast enough, no clock stretching will occur.

8. As soon as the data starts being transmitted, the TXBUF is transferred to the shift register
9. The EOM bit will be set t_{EOM} ns after the falling edge of the data line indicating the stop signal.

EOM ACK handling is the same as the one byte read above. For 6, 7, and 8 bytes, it is only necessary to put more bytes into the TXBUF register and a higher number into TX_COUNT. At 9 bytes, the TXBUF reload needs to occur again. This continues with TXBUF reloads every 4 bytes until the end of the message is reached.

If code is being ported from an processor limited to a 1 byte TXBUF, it is possible to always write only 1 byte to TXBUF, and to keep TX_COUNT always a 1. This will significantly increase overhead because the data request, write to TXBUF sequence will occur on every byte, instead of every 4.

10.3.11 Quick Command Read

New PMBus standards have introduced a quick command read, where the Master send just an address with the last bit set for a read, followed by a stop. This needs to be handled like any other read command, including putting at least one byte into the RXBUF. The STOP from the master will terminate the transmission from the slave, so it will be handled properly. As described above, the PMBus hardware will not ACK the address until something is written to RXBUF.

10.3.12 Simple Read with Manual Slave Address ACK

Manual slave address ACK is different with a read than with a write. This is because of the generation of the DATA_REQUEST bit and the need to write to TXBUF right after the address is received.

Here is the sequence diagram:

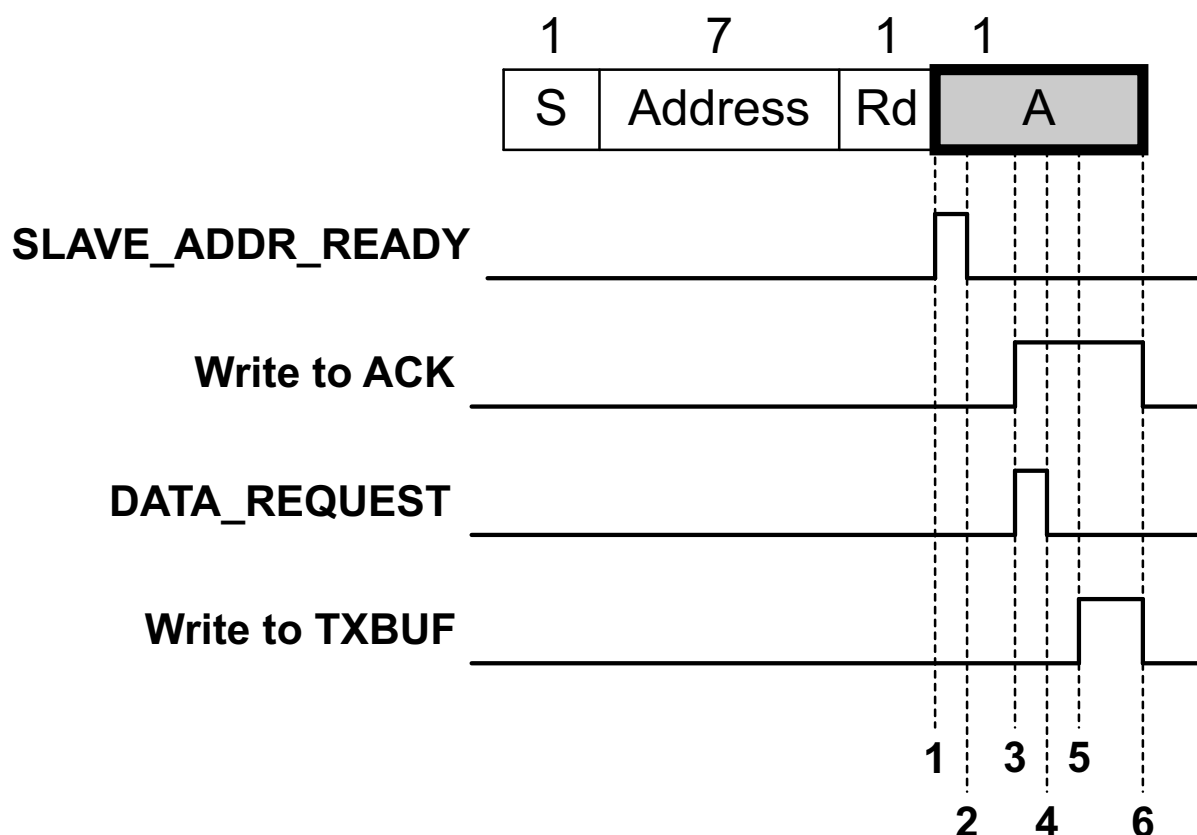


Figure 10-13. Slave Address Manual ACK on a Read Address

1. The SLAVE_ADDR_RDY BIT is set t_{SAR} ns after the falling edge of the clock for the R/W bit of the address.
2. The firmware reads from the PMBST register, clearing the SLAVE_ADDR_RDY bit. Next the firmware reads the address from the RXBUF, using only the low 7 bits – the most significant bit is random and must be masked out.

3. The firmware writes to the ACK bit. If a 1 is written, the DATA_REQUEST bit will be set t_{DREQ2} ns after the ACK bit is set.
4. The firmware reads the PMBST register, clearing the DATA_REQUEST bit.
5. Then the firmware writes the appropriate outgoing data into the TXBUF register, after first making sure that the TX_COUNT bits reflect the correct number of bytes. Any clock stretch will be cleared $t_{TXWRITE}$ ns after the write to TXBUF. If the firmware is fast enough, no clock stretch will occur.
6. Once the ACK is over, the ACK bit will be cleared, and the TXBUF will be moved into the shift register for transmission.

After the manual slave ACK, the rest of the read will continue as described in the sequences above.

10.3.13 Write/Read with Repeated Start

Both PMBus and I2C provide for a read message which starts with a write of address and command, followed by a repeated start and a simple read command as above. Here is a sequence diagram with full automation:

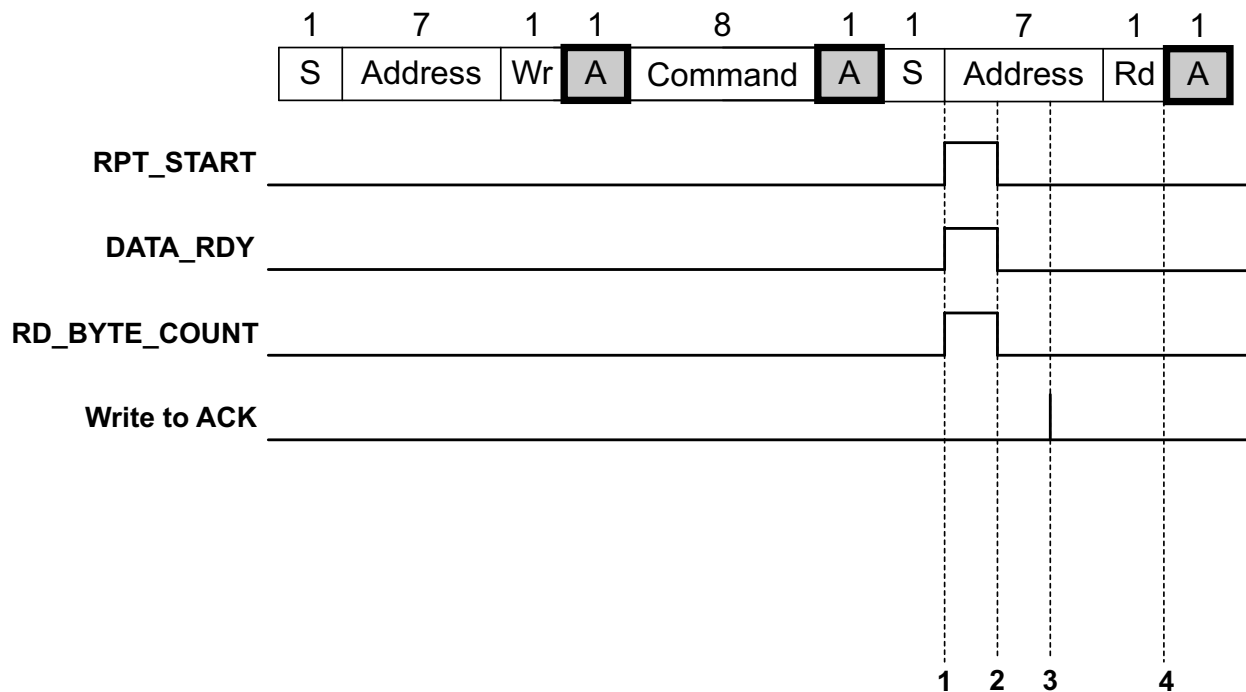


Figure 10-14. Write/Read with Repeated Start

1. RPT_START and DATA_RDY are set $t_{RPTSTART}$ ns after the falling edge on the data line which indicates the repeated start. RD_BYTE_CNT is set to a 1.
2. The firmware reads the PMBST, clearing the status bits. The firmware then reads RXBUF to get the command.
3. The firmware then writes a 1 to the ACK bit. This is an internal ACK to tell the interface that the RXBUF has been read.
4. If the ACK is not written by this time, the clock will be stretched until the ACK is written

All byte sequences after the repeated start will be the same as described above in the simple read sequences after the start.

The write sequence at the beginning of a read is basically the same as the write sequence at the beginning of this section. The difference is that RPT_START is set instead of EOM and PEC_VALID. The same rule applies to longer writes followed by a repeated start. Any number of bytes written, followed by a repeated start, and they will be the same as a standard write sequence, except that they end with a repeated start, rather than an EOM.

10.3.14 Automatic PEC Addition

For PMBus commands, the UCD also provides for automatic addition of a PEC byte at the end. When writing the last bytes in the message to the TXBUF, first set the TX_PEC bit. The interface will automatically send out the number of bytes in TXBUF, and then add a PEC byte at the end. This option should not be used if the master is not guaranteed to send a stop signal after the PEC. If the system requires that the UCD continue to transmit bytes after the PEC, the PEC should be calculated in firmware and added as a normal data byte. The UCD PMBus/I2C hardware assumes that the PEC will be the last byte in the message.

10.4 Avoiding Clock Stretching

For many applications, clock stretching is acceptable, but there may be requirements for minimal or no clock stretching. The UCD3138 family PMBus/I2C architecture permits this for some cases

For example, write messages up to 3 bytes and command can be handled in one operation using the 4 byte buffer and automated ACK. This gives an entire byte time for the firmware to respond, assuming that the master sends another message to the slave immediately after the first message. Even at 1 MHz, this is about 8 µsec, which should be time enough for a quick interrupt function to collect the data.

Read is more problematic. Using conventional methods, it should be possible to handle read messages, at least at 100 KHz. Here is the relevant timing diagram, assuming automatic slave address ACK is used:

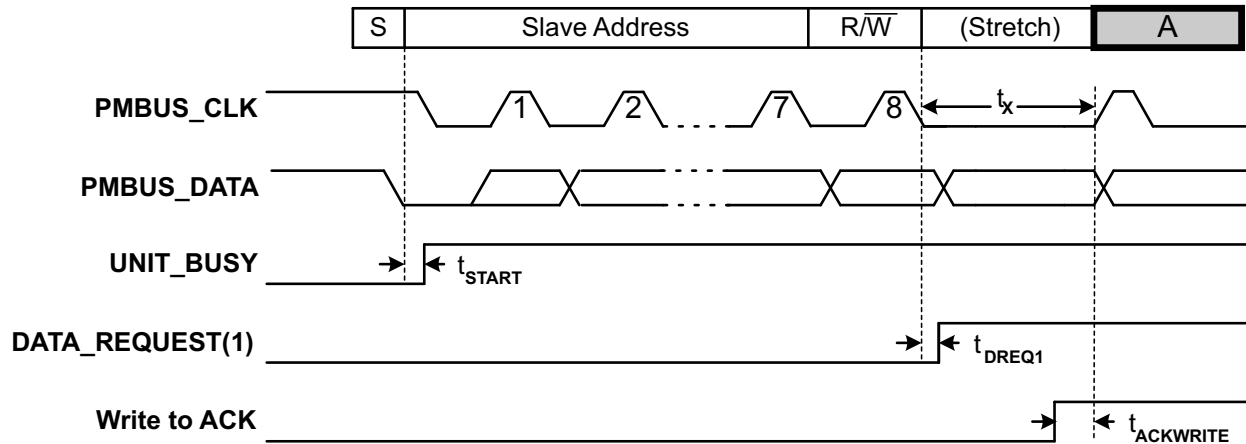


Figure 10-15. Clock Stretch Timing for Read

t_X shows the timing caused by the combination of the firmware and the interface delays.

$$t_X = t_{DREQ1} + \text{firmware delay} + t_{ACKWRITE}$$

To avoid clock stretching, t_X needs to be smaller than the clock low time for the PMBus/I2C clock speed.

Since t_{DREQ1} + t_{ACKWRITE} = 1.076 µsec maximum, it's possible to just subtract this number from the minimum clock low time for the data rate.

At 100 KHz, clock low minimum is 4.7 µsec, giving about 3.7 µsec for firmware, which should be attainable with an optimized interrupt.

Obviously the minimum clock low time of 1.3 µsec at 400 KHz gives less than .3 µsec for the firmware, which isn't enough.

10.4.1 Using Early TXBUF Write to Avoid Clock Stretch

It hasn't been tested exhaustively for robustness, but it may be possible to use early writes to TXBUF to avoid a clock stretch. The standard PMBus firmware actually writes to TXBUFF early on a read. It writes as soon as the interface receives the repeated start signal. This gives an entire byte delay for the receipt of the slave address with the read bit set for the firmware to respond.

This approach can also be used in an I2C case where the command is first written with a write message, and then the read is done with a simple read address. It is possible to write to the TXBUF register when the command is written, then the read will get the values that were written.

This method doesn't help, though, with messages that use more than one RXBUF or TXBUF full. In those cases, it is necessary to detect the data request or data ready, and deal with the RXBUF or TXBUF in a half clock cycle. So longer messages will definitely require clock stretching at frequencies over 100 KHz.

10.4.2 Alert Response



Figure 10-16. Alert Response

The UCD3138 PMBus interface provides an automated handling of the ALERT Response. To enable it, set the ALERT_EN bit in PMBCTRL3. This will pull the ALERT pin low, and enable the ALERT response from the hardware. If MAN_SLAVE_ACK is not set, the hardware will automatically acknowledge the special ALERT address, and will automatically to the arbitration with the device address. If the UCD wins the arbitration, it will automatically release the ALERT line and clear the ALERT_EN bit.

In manual address acknowledge mode (MAN_SLAVE_ACK is set), the firmware must read the received address from the Receive Data Register and transmit the desired slave address back to the Master. The firmware must check for LOST_ARB, and clear the ALERT_EN bit if the arbitration is won.

10.5 PMBus Slave Mode Low Level Timing

These diagrams give the low level timing for the PMBus logic. They show the timing between events on the PMBus pins and PMBus register changes.

For each timing parameter, only one case is shown. Note that the same timing parameter may occur in different places in a PMBus message.

Some of the timing diagrams show a clock stretch. These are optional. If the firmware can respond fast enough, no clock stretch will be necessary.

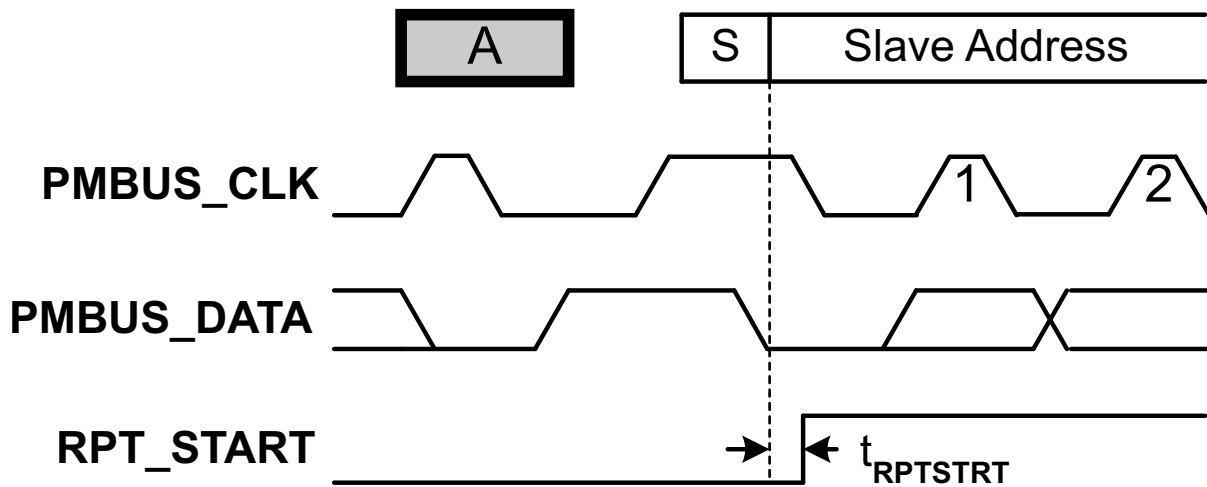


Figure 10-17. Address Byte Timing

Note: Stretch is optional, depending on firmware timing.

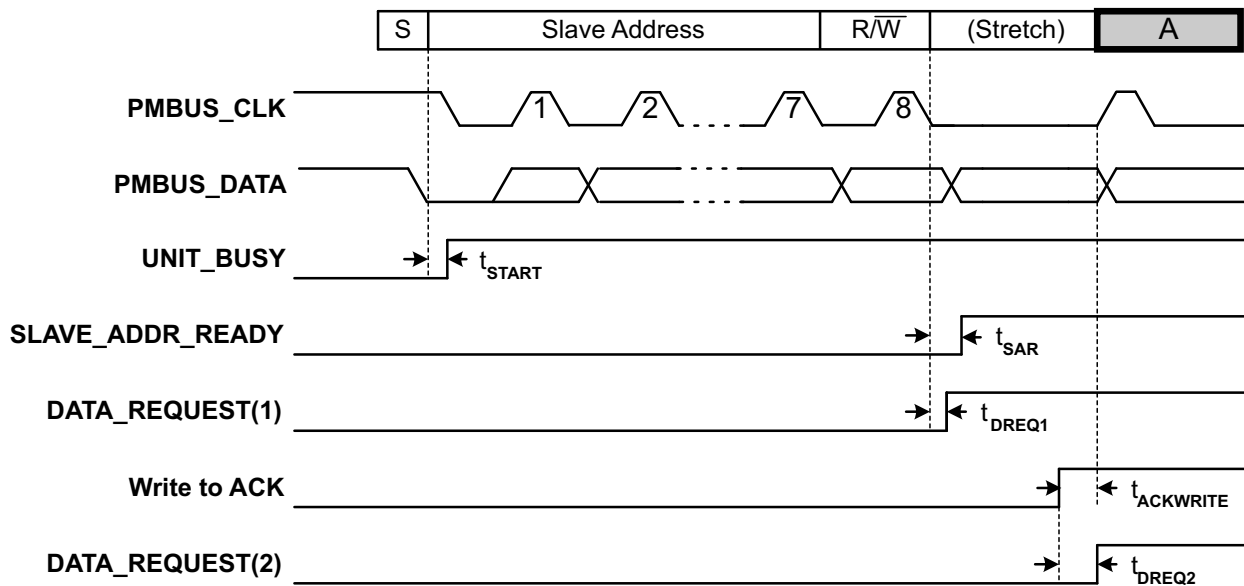
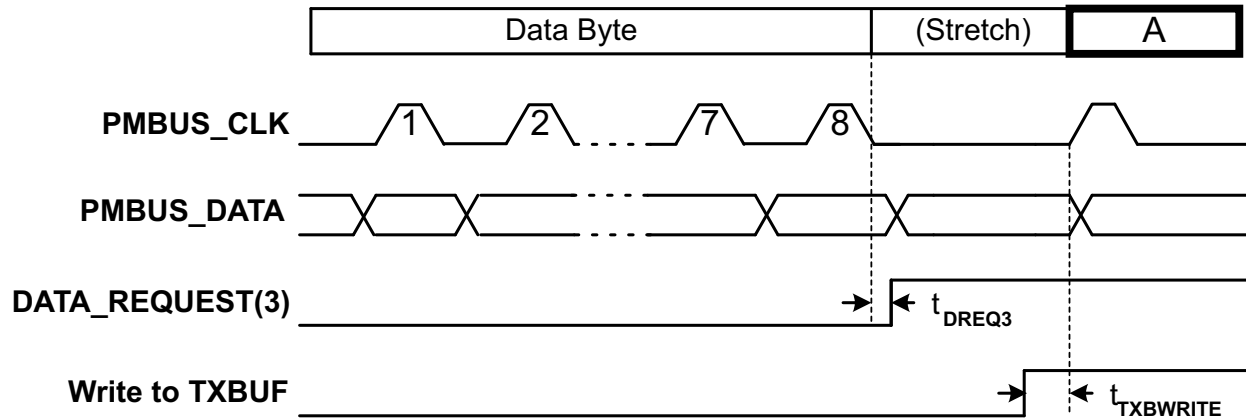


Figure 10-18. Repeated Start Timing


Figure 10-19. Read Byte Timing

Note: Stretch is optional, depending on firmware timing.

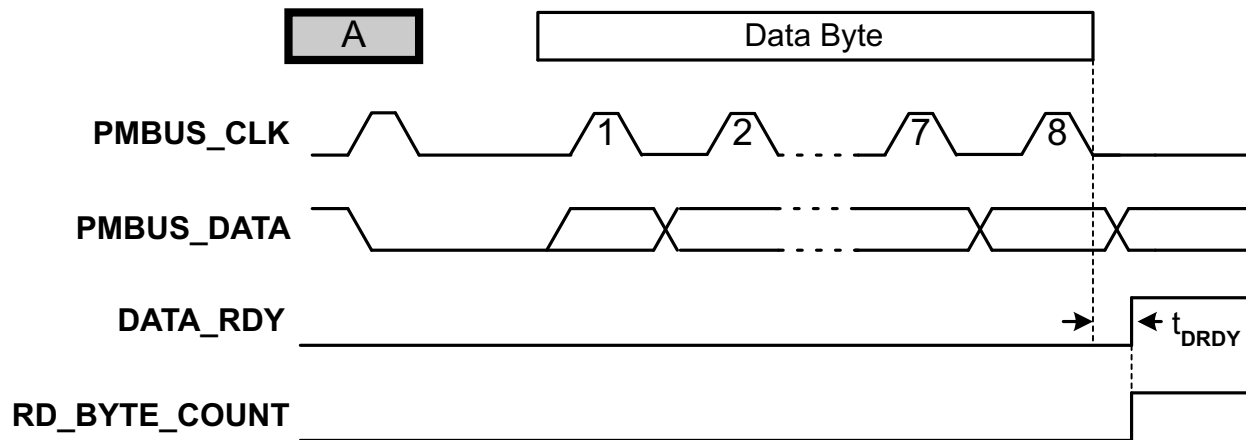
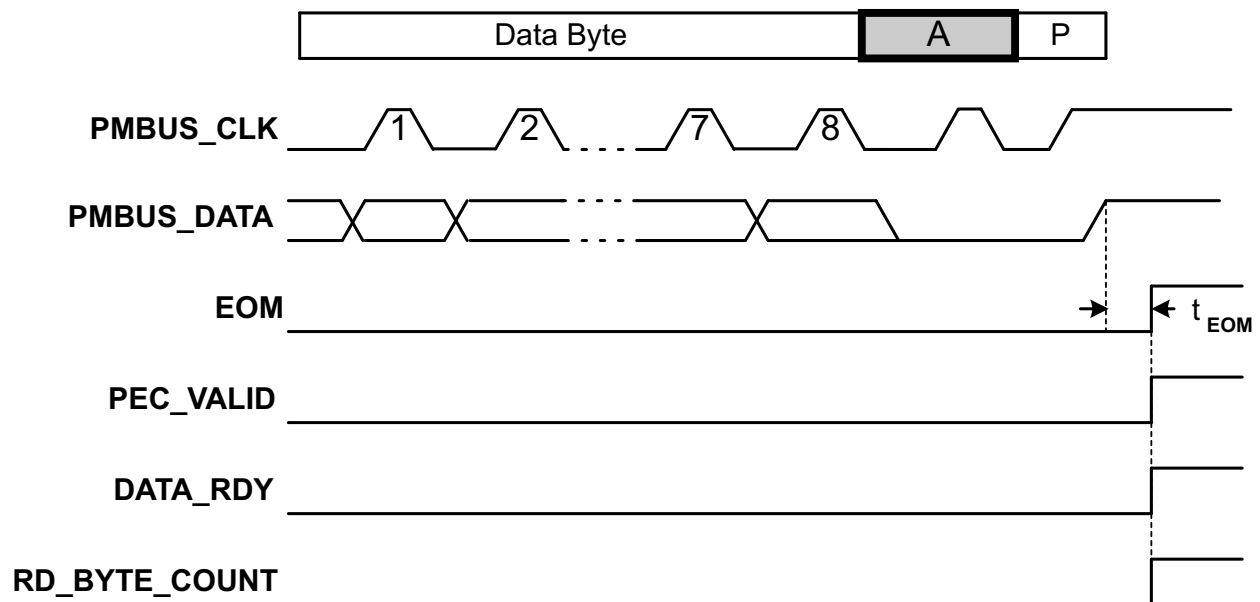

Figure 10-20. Write Byte Timing

Figure 10-21. Write Byte Stop Timing

Table 10-1. Timing Parameters from Timing Diagrams

Parameter	Min	Max	Units
t_{START} – Time from PMBUS_DATA low for Start signal to UNIT_BUSY bit set	366	470	ns
t_{SAR} – Time from PMBUS_CLK low on bit 8 to SLAVE_ADDR_READY bit set	488	605	ns
t_{DREQ1} – Time from PMBUS_CLK low on bit 8 of address byte to DATA_REQUEST bit set	427	538	ns
$t_{ACKWRITE}$ – Time from write to ACK bit until UCD releases clock stretch	427	538	ns
t_{DREQ2} – Time from write to ACK bit until DATA_REQUEST bit is set			ns
$t_{RPTSTRT}$ – Time from PMBUS_DATA low for Repeated Start to RPT_START bit set	366	470	ns
t_{DREQ3} – Time from PMBUS_CLK low on bit 8 of read byte to DATA_REQUEST bit set	427	538	ns
$t_{TXBWRITE}$ – Time from PMBUS_CLK low on bit 8 to SLAVE_ADDR_READY bit set	427	538	ns
t_{DRDY} – Time from PMBUS_CLK low on bit 8 to DATA_RDY bit set	488	605	ns
t_{EOM} – Time from PMBUS_CLK high for Stop signal to EOM and DATA_RDY bits set, as well as PEC_VALID and RD_BYTE_COUNT loaded with correct value.	427	538	ns

PMBus/I2C edge which triggers change	Bit Field Changed	Min(ns)	Max(ns)
SCL rise or fall	SCL_RAW set or clear	244	336
SDA rise or fall	SDA_RAW set or clear	244	336
CONTROL rise or fall	CONTROL_RAW set or clear	244	336
ALERT rise or fall	ALERT_RAW set or clear	244	336
CONTROL edge specified by CNTL_INT_EDGE	CONTROL_EDGE	244	336
ALERT falling edge	ALERT_EDGE	244	336
SCL and SDA high for nominal 50 usec	BUS_FREE set	122	202

Table 10-2. Simple Timing Parameters (No Timing Diagram)

Interval	Min(ns)	Max(ns)
PMBST Bit Set to Interrupt Trigger	61	67

10.6 Effect of MAN_SLAVE_ACK bit on EOM Handling

Even though MAN_SLAVE_ACK primarily affects the handling of the beginning of the message, it also changes how the end of the message is handled.

In both modes, the PMBus hardware is designed to stretch the clock until the firmware is done processing the previous message.

When MAN_SLAVE_ACK is low, the firmware must ACK after the EOM. This tells the hardware that it is OK to ack the next address automatically and put the new address value into the PMBHSA. The EOM should not be ACKed until the firmware has read the PMBHSA for the message.

The next bit set in the status register will be either DATA_READY or DATA_REQUEST.

If MAN_SLAVE_ACK is high, EOM does not need to be ACKed. The hardware will accept the address without an ACK, and set the SLAVE_ADDR_READY bit. This also means that if the STOP signal on the PMBus is followed quickly by a new address, the firmware may see both the EOM and SLAVE_ADDR_READY bits set. The firmware must be written to deal with this, first handling the message that just ended, and then dealing with the message that is starting.

Just taking auto address ACK firmware and enabling manual address ACK is not sufficient.

10.7 Master Mode Operation Reference

The PMBus Interface has the capability to initiate any of the available message protocols used for communication with connected slave modules. Initiating a message begins with programming the Master Control Register (Address 0h). Upon programming of this register, the message will begin transmission on the PMBus once the bus is idle and ready for additional messages.

Note that the default mode of the PMBus interface is Slave mode. To operate in Master Mode, it is necessary to clear the SLAVE_EN bit and to set the MASTER_EN bit in the PMBCTRL3 register.

Within the bits of the Master Control Register, a number of options are provided that help to configure the PMBus message. The PMBus Interface includes an optional PEC enable bit (Bit 18). Enabled the PEC_EN bit forces the PMBus Interface to append a PEC byte onto the end of the message. The firmware is not required to calculate the PEC value or account for the PEC byte when entering the number of bytes in the message.

The Byte Count bits (Bits 15-8) within the Master Control Register configures the number of data bytes within the outgoing message. The firmware is required to program the byte count at the start of each message. A byte count of zero will result in the transmission of a Quick Command message. The byte count does not include any command bytes, PEC bytes, address bytes or the block length (found in Block Write/Read messages). The PMBus Interface in Master Mode automatically terminates a valid message based on the values programmed in the byte count bits. In cases of a slave NACK, the PMBus Interface also automatically initiates a stop condition to terminate the message and provides the appropriate alarms to the firmware through the Status Register.

Inclusion of command bytes in the message initiated by the Master is configured through the CMD_EN and EXT_CMD bits (Bits 17-16 of the Master Control Register). Enabling CMD_EN forces the PMBus Interface to include a single command byte in the message. On the first programming of the Transmit Data Register, bits 7-0 will represent the command byte. When enabling EXT_CMD, support for extended commands is enabled. Bits 15-0 of the Transmit Data Register, after the first program of the Transmit Data Register, represent the extended command bytes.

Additional control bits within the Master Control Register enable various message protocols for PMBus applications. Protocols such as Process Call and Group Command Messages require additional programming with these bits.

10.7.1 Quick Command



Figure 10-22. Quick Command Format

Quick commands are initiated in Master Mode by simply programming the desired slave device address into the Master Control Register. The byte count within the Master Control Register is configured to 0 bytes by writing all zeros to bits 15-8. Upon transmission of the device address, the PMBus Interface will monitor the slave acknowledgement of the address. If the address is not acknowledged, the Nacked bit within the status register is enabled and the PMBus Interface automatically enables a stop condition on the PMBus to terminate the message. If the address is acknowledged, a data request is issued to the processor. The firmware writes a '0' to the Acknowledge Register to terminate the message, forcing the PMBus Interface to write a stop condition onto the PMBus.

10.7.2 Send Byte



Figure 10-23. Send Byte w/o PEC Byte



Figure 10-24. Send Byte with PEC Byte

A Send Byte message consists of the device address, a single data byte and an optional PEC byte. To initiate a Send Byte message, the data byte to be transmitted to the slave is loaded into bits 7-0 of the Transmit Data Register. The Master Control Register is configured with the device address. To transmit a PEC byte with the message, the PEC_EN bit within the Master Control Register is asserted high when the address is programmed.

After programming the Master Control Register, the PMBus Interface initiates the Send Byte message onto the PMBus. The firmware can wait for an End of Message interrupt from the PMBus Interface. Upon receipt of the EOM interrupt, the Status Register is read to verify the slave properly acknowledged the transmitted data.

10.7.3 Receive Byte



Figure 10-25. Receive Byte w/o PEC Byte



Figure 10-26. Receive Byte with PEC Byte

A Receive Byte message consists of the device address, a single data byte and an optional PEC byte. Data is being read from the slave in a Receive Byte message. To initiate a Receive Byte message, the firmware programs the device address, the R/W bit and the optional PEC_EN into the Master Control Register. The R/W bit is enabled high to indicate a read message type (data transmitted from Slave to Master).

After programming the Master Control Register, the PMBus Interface initiates a Receive Byte message onto the PMBus. The firmware can wait for an End of Message interrupt from the PMBus Interface to verify the accuracy of the message transmission. Upon receipt of the EOM interrupt, the Status Register is read to verify proper slave acknowledgement of the device address and to determine if any data is available for reading in the Receive Data Register. If PEC_EN was asserted in the Master Control Register, the PEC_VALID bit in the Status Register is also checked to ensure a proper PEC byte was received from the Slave with the received data.

10.7.4 Write Byte/Word



Figure 10-27. Write Byte w/o PEC Byte



Figure 10-28. Write Byte with PEC Byte



Figure 10-29. Write Word w/o PEC Byte



Figure 10-30. Write Word with PEC Byte

The Write Byte and Write Word messages consist of a device address, a command byte, transmitted data bytes and an optional PEC byte. Write Byte messages include a single byte, while the Write Word messages support transmission of 2 bytes to the corresponding slave module. Similar to the Send Byte protocol, the Master Control Register is configured to send 1 or 2 bytes, the CMD_EN bit is set to enable command byte transmission and the optional PEC_EN bit is set.

With the command byte transmission enabled, the format of the Transmit Data Register differs from the Send Byte protocol. In Bits 7-0 of the Transmit Data Register, the firmware must program the command byte to be sent to the slave. The data byte(s) are programmed into bits 15-8 and bits 23-16.

After programming the Master Control Register, the PMBus Interface initiates a Write Byte/Word message on the PMBus. The firmware can wait for an End of Message interrupt from the interface to verify the accuracy of the message transmission. The Status Register indicates if the slave acknowledged the message properly.

10.7.5 Read Byte/Read Word

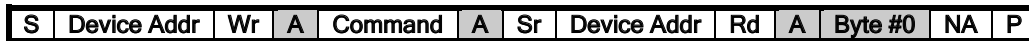


Figure 10-31. Read Byte w/o PEC Byte



Figure 10-32. Read Byte with PEC Byte



Figure 10-33. Read Word w/o PEC Byte



Figure 10-34. Read Word with PEC Byte

The Read Byte and Read Word messages consist of a device address, a command byte, received data bytes from a slave and an optional PEC byte. Read Byte messages include a single byte, while the Read Word message protocol supports receipt of 2 bytes from the slave. Similar to the Receive Byte Protocol, the Master Control Register is configured to receive 1 or 2 bytes, the CMD_EN bit is set and the PEC_EN is configured to expect or not expect a PEC byte appended to the message. The PMBus Interface will automatically terminate the message after the expected number of bytes is received from the slave or if the slave does not properly acknowledge any portion of the message.

In addition to programming the Master Control Register, the firmware is expected to load the command byte into bits 7-0 of the Transmit Data Register. Any data received from the slave will be found in the Receive Data Register.

After programming the Master Control Register, the PMBus Interface initiates a Read Byte/Read Word message on the PMBus. The firmware can wait for an End of Message interrupt from the interface. Upon the EOM interrupt, the Status Register is read to determine the number of bytes received (1 for a Read Byte/2 for a Read Word). The received data bytes are found in Bits 15-0 of the Receive Data Register. If PEC is enabled for the message, the PEC_VAL bit in the Status Register can be verified to check the accuracy of the received PEC byte from the Slave.

10.7.6 Process Call

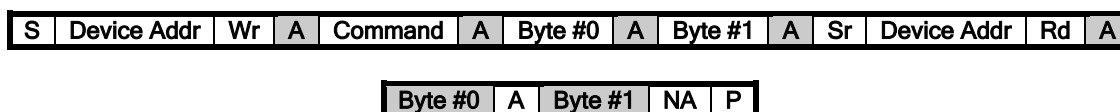


Figure 10-35. Process Call w/o PEC Byte

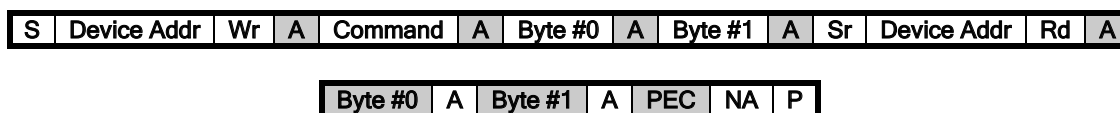


Figure 10-36. Process Call with PEC Byte

The Process Call protocol consists of a Write Word message, followed by a Read Word message, without a stop condition between the two messages. A PEC byte can be appended to the read data from the slave as an option to the message protocol. The Master Control Register includes a PRC_CALL bit, which enables the transmission of a Process Call message onto the PMBus. The PMBus Interface will automatically generate a repeated start condition and initiate the Read Word portion of the message when the process call bit is enabled.

To complete the Write Word portion of the Process Call, the Transmit Data Register is loaded with the command byte in Bits 7-0 and the data bytes are loaded into Bits 23-8 of the register.

After programming the Master Control Register, the PMBus Interface initiates the Process Call Message on the PMBus. The firmware can wait for an End of Message interrupt from the interface to determine the validity of the message. Upon the receipt of the EOM, the Status Register should indicate the receipt of 2 bytes from the Read Word portion of the Process Call message and the status of the Slave acknowledgement of the transmit data. If PEC processing is enabled, the PEC_VAL bit within the Status Register indicates the accuracy of the PEC byte received from the Slave during the Read Word part of the message.

The PRC_CALL bit within the Master Control Register should be disabled on the next message not of the Process Call protocol. Please note that any write to the Master Control Register initiates a message, so reconfiguration of the Master is not recommended until the firmware requires a new message to be transmitted on the PMBus.

10.7.7 Block Write

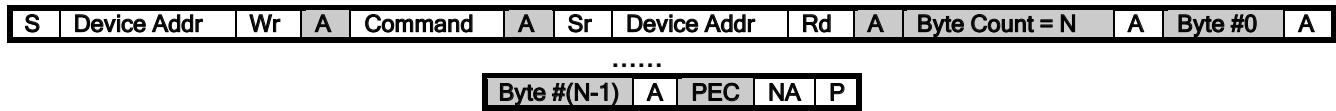


Figure 10-37. Block Write w/o PEC Byte

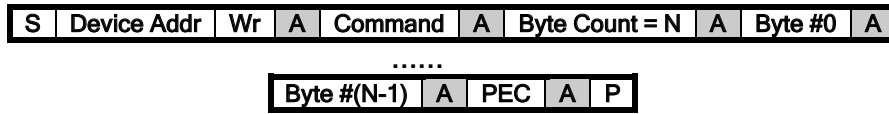


Figure 10-38. Block Write with PEC Byte

The Block Write protocol is similar to a Write Word in its structure, with the exception of transmission of more than 2 data bytes in the message. Additionally, the first data byte following the command byte specifies the length of the block of data bytes. As with a majority of the message protocols, the PEC byte can be appended to the end of the write data to the Slave.

To initiate a Block Write message on the PMBus, the Master Control Register is programmed with the block length in the Byte Count bits. The block length is the number of data bytes, excluding the command byte and the first data byte that contains the block length. The PMBus Interface will automatically insert the block length into the message if the number of data bytes specified by the firmware exceeds 2. The initial write data is loaded into the Transmit Data Register. With bits 7-0 representing the command byte, the remaining 3 bytes represent the first three data bytes following the block length.

Following programming of the Master Control Register, the Block Write message is initiated on the PMBus. If the block length exceeds three bytes, the PMBus Interface will provide a data request interrupt, indicating the need for additional data bytes in the Transmit Data Register. The PMBus Interface assumes that if more than 4 bytes are needed to complete the message, the firmware will utilize all 4 bytes when programming the Transmit Data Register. If less than 4 bytes are needed to finish the Block Write message, the firmware only needs to program the appropriate bits of the Transmit Data Register.

Upon completion of the message, the PMBus Interface issues an EOM interrupt. The interface can be checked to verify the slave accepted the block of write data.

10.7.8 Block Read

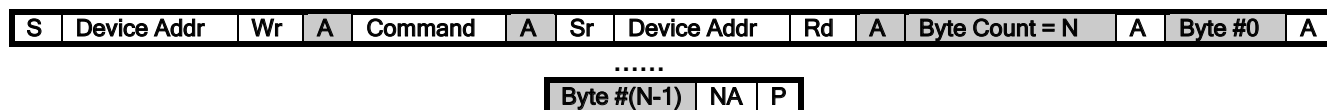


Figure 10-39. Block Read w/o PEC Byte

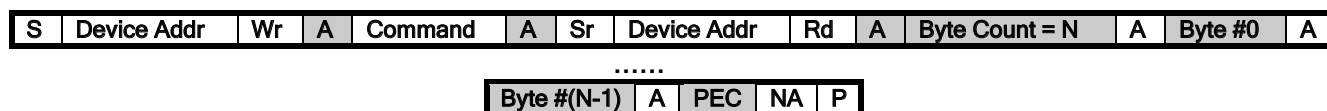


Figure 10-40. Block Read with PEC Byte

The Block Read protocol is similar to a Read Word in its structure, with the exception of reception of more than 2 data bytes from the Slave. The first data byte transmitted by the Slave represents the block length of the data being written by the slave. If PEC processing is enabled, the Slave appends a PEC byte to the end of the message.

To initiate a Block Read message on the PMBus, the Master Control Register is programmed with the block length in the Byte Count bits. This count excludes the command byte, any slave address and the block length bytes in the message. The command byte to be transmitted to the Slave is written into bits 7-0 of the Transmit Data Register prior to the programming of the Master Control Register.

After configuring the Master Control Register, the Block Read message is initiated on the PMBus. The interface interrupts the firmware upon receipt of 4 data bytes from the slave. If the block length is 3, the EOM interrupt will be received concurrently with the data ready interrupt. Otherwise, a data ready interrupt is asserted, indicating 4 bytes are ready for reading by the firmware. At the end of the message, less than 4 bytes may be stored in the Receive Data Register. The RX Byte Count bits in the Status Register indicate the number of bytes available in the final data transfer. The firmware may verify the received PEC upon detection of the End of Message interrupt.

10.7.9 Block Write-Block Read Process Call

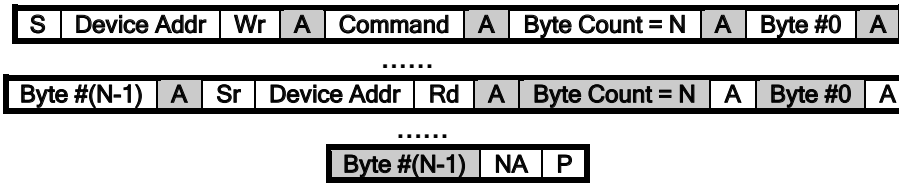


Figure 10-41. Block Write-Block Read Process Call w/o PEC Byte

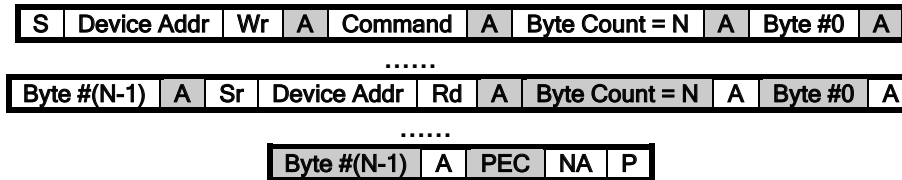


Figure 10-42. Block Write-Block Read Process Call with PEC Byte

The Block Read-Block Write Process Call protocol combines the Block Write and Block Read protocols, removing the stop condition between the two messages. The operation of the Master is similar to a Block Write operation. Loading the block length into the byte count bits of the Master Control Register provides the length of the Block Write portion of the message. In addition, the PRC_CALL bit within the Master Control Register must be enabled. Upon completion of the Block Write part of the message, the PMBus Interface will automatically issue a Repeated Start condition on the PMBus and start transmission of the Block Read portion of the message. Operation of the PMBus Interface after the Repeated Start condition is the same as would be in a simple Block Read Message.

10.7.10 Alert Response



Figure 10-43. Alert Response

The Alert Response Message is utilized when the Master detects an alert condition from a Slave on the PMBus. In Master mode, the Alert Response Message is simply a Receive Byte message with PEC disable and the Slave Address set to 0xC (Alert Response Address). The PMBus Interface detects the Alert condition on an input and interrupts the firmware indicating the assertion of an alert condition (Slave desires to communicate with Master). Programming the Master Control Register with the Alert Response Address, initiates the Alert Response message and provides the device address of the Slave requesting service. The device address will be found in the Receive Data Register following receipt of the EOM interrupt.

10.7.11 Extended Command - Write Byte/Word, Read Byte/Word

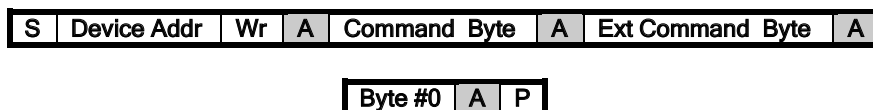


Figure 10-44. Extended Command Write Byte w/o PEC Byte

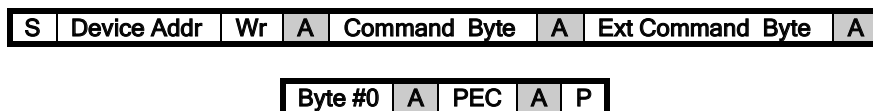


Figure 10-45. Extended Command Write Byte with PEC Byte

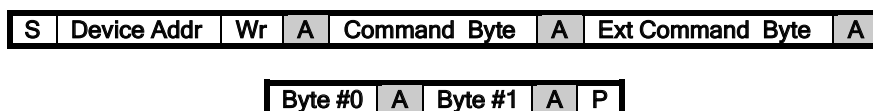


Figure 10-46. Extended Command Write Word w/o PEC Byte

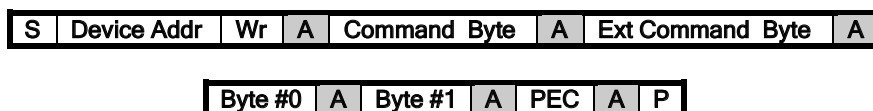


Figure 10-47. Extended Command Write Word with PEC Byte

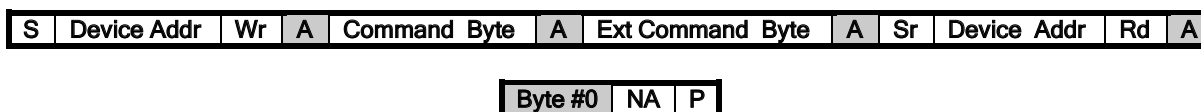


Figure 10-48. Extended Command Read Byte w/o PEC Byte

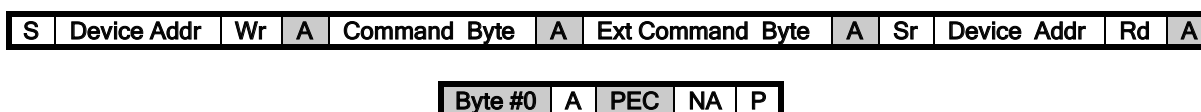


Figure 10-49. Extended Command Read Byte with PEC Byte

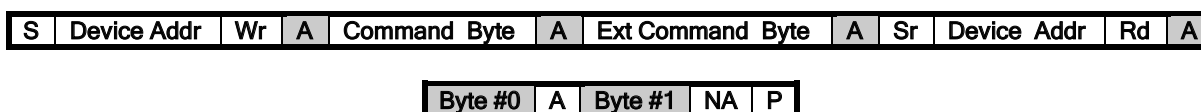


Figure 10-50. Extended Command Read Word w/o PEC Byte

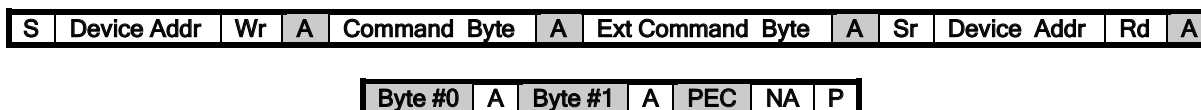


Figure 10-51. Extended Command Read Word with PEC Byte

The PMBus Interface provides support for extended commands which allow for an extra 256 command codes. By asserting the EXT_CMD bit within the Master Control Register, two command bytes are transmitted on the message protocol. Extended commands can be added to the Read Byte, Read Word, Write Byte and Write Word protocols. Operation of the PMBus interface in extended command mode is similar to these formats. In

programming the write data or first part of the read message, the second command byte is loaded into Bits 15-8 of the Transmit Data Register with the remaining data bytes. The remaining operation of the PMBus is identical to the previous protocols, except for the inclusion of a Repeated Start condition and slave address in the write messages. No support is required by firmware for these additional bytes in the write messages. The interface will interpret the EXT_CMD bit and make the appropriate format changes.

10.7.12 Group Command

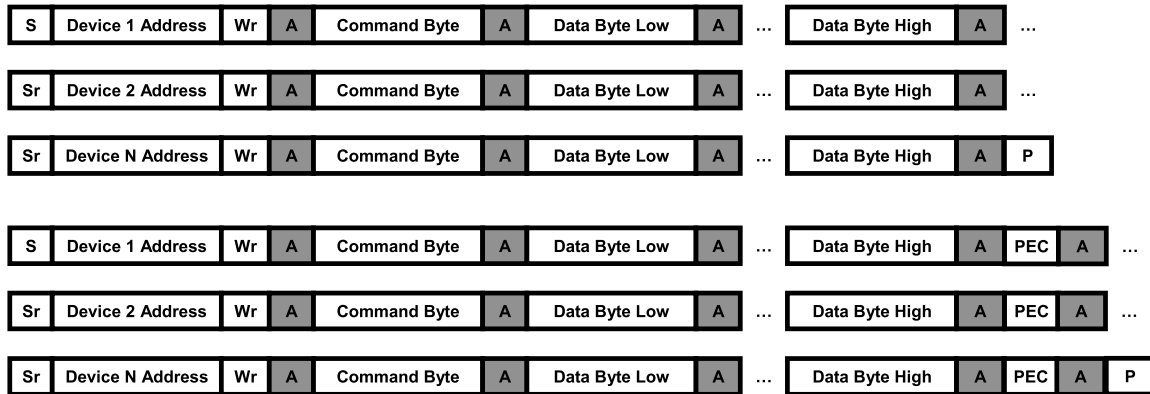


Figure 10-52.

The PMBus Interface must support the Group Command Protocol. The Group Command Protocol is used to send commands to more than one device within the same message. When devices on the PMBus detect the stop condition at the conclusion of the Group Command message, the received commands are executed concurrently. To initiate a Group Command, the GRP_CMD bit within the Master Control Register must be set when programming the slave address for the first device in the message. The rest of the message is processed as a write byte/word message. At the conclusion of the first part of the Group Command message, the firmware programs the next device address in the Master Control Register. The PMBus Interface will initiate a repeated start on the bus and start the next part of the message. When programming the last device address of the Group Command message, the firmware must disable the GRP_CMD bit when programming the Master Control Register.

10.8 PMBUS Communications Fault Handling

The UCD3138 PMBus interface hardware and firmware is designed to handle communications faults caused by glitches, interruptions, and stuck signals on the PMBus lines. In many cases, the system will recover immediately. In some cases, for example if one or both of the lines are stuck high or low, no communication will be possible. There are a few cases in which the system will may require an additional message transmission for recovery. Here are two of them:

10.8.1 Bit Counter

If a PMBus message to the UCD is halted in the middle of a byte, the UCD bit counter may not be reset to zero. Therefore the UCD may not respond correctly to the next message. Normally the bit counter will be resynchronized after this one incorrect response, so subsequent messages will be handled correctly.

On the UCD3138, and UCD3138064, this is the case. On the UCD3138A64 and UCD3138128 and all A versions, stopping the message in the middle of the byte should be handled correctly.

10.8.2 Test Mode (Manufacturer Reserved Address Match)

If a PMBus message to the UCD accesses the reserved address of 0x7f, the UCD may begin a test mode entry sequence. It may hold the data line low. In this case, additional transitions on the PMBus clock line will return the PMBus to normal functionality. On the UCD3138128/A64 and the A versions of the same device, the test mode entry address is 0x7e. This is less likely to occur as a fault case.

10.9 Other Functions of the PMBus Module

There are other functions available in the PMBus module. The 4 PMBus pins can be used as general purpose I/O. This can be done using the GLOBAL IO registers in the Miscellaneous Analog memory space. It can also be done using the PMBCTRL3 register for configuration and the PMBST register for monitoring. All of these bits follow standard microprocessor peripheral protocol, so no further description is necessary beyond the reference section above.

The PMBCTRL3 register also has 2 bits called IBIAS_A_EN and IBIAS_B_EN. These bits are used to enable a small current onto 2 ADC pins to permit the use of resistors on those pins for setting the PMBus address. See [Section 8.13](#) for more information.

10.10 PMBus Interface Registers Reference

10.10.1 PMBUS Control Register 1 (PMBCTRL1)

Address FFF7F600

Figure 10-53. PMBUS Control Register 1 (PMBCTRL1)

20	19	18	17	16											
PRC_CALL	GRP_CMD	PEC_ENA	EXT_CMD	CMD_ENA											
R/W-0	R/W-0	R/W-0	R/W-0	R/W-0											
15	14	13	12	11	10	9	8	7	6	5	4	3	2	1	0
BYTE_COUNT								SLAVE_ADDR				RW			
R/W-0000 0000								R/W-000 0000				R/W-0			

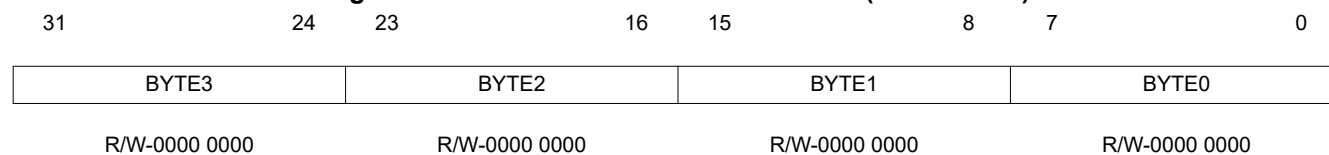
LEGEND: R/W = Read/Write; R = Read only; -n = value after reset

Table 10-3. PMBUS Control Register 1 (PMBCTRL1) Register Field Descriptions

Bit	Field	Type	Reset	Description
20	PRC_CALL	R/W	0	Master Process Call Message Enable 0 = Default state for all messages besides Process Call message (Default) 1 = Enables transmission of Process Call message
19	GRP_CMD	R/W	0	Master Group Command Message Enable 0 = Default state for all messages besides Group Command message (Default) 1 = Enables transmission of Group Command message
18	PEC_ENA	R/W	0	Master PEC Processing Enable 0 = Disables PEC processing (Default) 1 = Enables PEC byte transmission/reception
17	EXT_CMD	R/W	0	Master Extended Command Code Enable 0 = Use 1 byte for Command Code (Default) 1 = Use 2 bytes for Command Code
16	CMD_ENA	R/W	0	Master Command Code Enable 0 = Disables use of command code on Master initiated messages (Default) 1 = Enables use of command code on Master initiated messages
15-8	BYTE_COUNT	R/W	0000 0000	Indicates number of data bytes transmitted in current message. Byte count does not include any device addresses, command words or block lengths in block messages. In block messages, the PMBus Interface automatically inserts the block length into the message based on the byte count setting. The firmware only needs to load the address, command words and data to be transmitted. PMBus Interface supports byte writes up to 255 bytes.
7-1	SLAVE_ADDR	R/W	000 0000	Specifies the address of the slave to which the current message is directed towards.
0	RW	R/W	0	Indicates if current Master initiated message is read operation or write operation. 0 = Message is a write transaction (data from Master to Slave) (Default) 1 = Message is a read transaction (data from Slave to Master)

10.10.2 PMBus Transmit Data Buffer (PMBTXBUF)

Address FFF7F604

Figure 10-54. PMBus Transmit Data Buffer (PMBTXBUF)


LEGEND: R/W = Read/Write; R = Read only; -n = value after reset

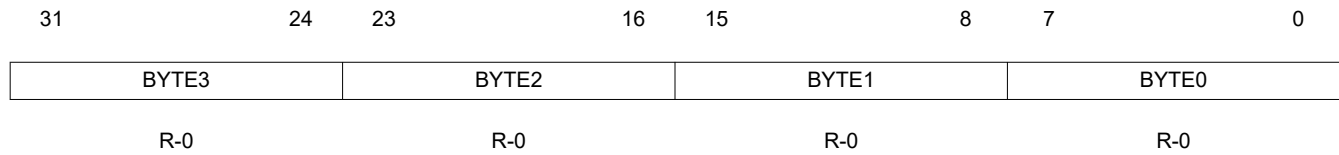
Table 10-4. PMBus Transmit Data Buffer (PMBTXBUF) Register Field Descriptions

Bit	Field	Type	Reset	Description
31-24	BYTE3	R/W	0000 0000	Last data byte transmitted from Transmit Data Buffer
23-16	BYTE2	R/W	0000 0000	Third data byte transmitted from Transmit Data Buffer
15-8	BYTE1	R/W	0000 0000	Second data byte transmitted from Transmit Data Buffer
7-0	BYTE0	R/W	0000 0000	First data byte transmitted from Transmit Data Buffer

10.10.3 PMBus Receive Data Register (PMBRXBUF)

Address FFF7F608

Figure 10-55. PMBus Receive Data Register (PMBRXBUF)



LEGEND: R/W = Read/Write; R = Read only; -n = value after reset

Table 10-5. PMBus Receive Data Register (PMBRXBUF) Register Field Descriptions

Bit	Field	Type	Reset	Description
31-24	BYTE3	R	0	Last data byte received in Receive Data Buffer
23-16	BYTE2	R	0	Third data byte received in Receive Data Buffer
15-8	BYTE1	R	0	Second data byte received in Receive Data Buffer
7-0	BYTE0	R	0	First data byte received in Receive Data Buffer

10.10.4 PMBus Acknowledge Register (PMBACK)

Address FFF7F60C

Figure 10-56. PMBus Acknowledge Register (PMBACK)

0



R/W-0

LEGEND: R/W = Read/Write; R = Read only; -n = value after reset

Table 10-6. PMBus Acknowledge Register (PMBACK) Register Field Descriptions

Bit	Field	Type	Reset	Description
0	ACL	R/W	0	Allows firmware to acknowledge or not acknowledge received data 0 = NACK received data (Default) 1 = Acknowledge received data, bit clears upon issue of ACK on PMBus

10.10.5 PMBus Status Register (PMBST)

Address FFF7F610

Figure 10-57. PMBus Status Register (PMBST)

21	20	19	18	17	16	15	14	13	12	11	10	9	8
SCL_RAW	SDA_RAW	CONTROL_RAW	ALERT_RAW	CONTROL_EDGE	ALERT_EDGE	R-0	R-0	R-0	R-0	R-0	R-0	R-0	R-0
R-0	R-0	R-0	R-0	R-0	R-0	R-0	R-0	R-0	R-0	R-0	R-0	R-0	R-0
7	6	5	4	3	2	1	0						
MASTER	LOST_ARB	BUS_FREE	UNIT_BUSY	RPT_START	SLAVE_ADDR_READY	CLK_HIGH_TIMEOUT	CLK_LOW_TIMEOUT						
R-0	R-0	R-0	R-0	R-0	R-0	R-0	R-0						
R-0	R-0	R-0	R-0	R-0	R-0	R-0	R-0						
PEC_VALID	NACK	EOM	DATA_REQUEST	DATA_READY	RD_BYTE_COUNT								
R-0	R-0	R-0	R-0	R-0	R-0								

LEGEND: R/W = Read/Write; R = Read only; -n = value after reset

Table 10-7. PMBus Status Register (PMBST) Register Field Descriptions

Bit	Field	Type	Reset	Description
21	SCL_RAW	R	0	PMBus Clock Pin Real Time Status 0 = PMBus clock pin observed at logic level low 1 = PMBus clock pin observed at logic level high
20	SDA_RAW	R	0	PMBus Data Pin Real Time Status 0 = PMBus data pin observed at logic level low 1 = PMBus data pin observed at logic level high
19	CONTROL_RAW	R	0	Control Pin Real Time Status 0 = Control pin observed at logic level low 1 = Control pin observed at logic level high
18	ALERT_RAW	R	0	Alert Pin Real Time Status 0 = Alert pin observed at logic level low 1 = Alert pin observed at logic level high
17	CONTROL_EDGE	R	0	Control Edge Detection Status 0 = Control pin has not transitioned 1 = Control pin has been asserted by another device on PMBus
16	ALERT_EDGE	R	0	Alert Edge Detection Status 0 = Alert pin has not transitioned 1 = Alert pin has been asserted by another device on PMBus
15	MASTER	R	0	Master Indicator 0 = PMBus Interface in Slave Mode or Idle Mode 1 = PMBus Interface in Master Mode
14	LOST_ARB	R	0	Lost Arbitration Flag 0 = Master has attained control of PMBus 1 = Master has lost arbitration and control of PMBus

Table 10-7. PMBus Status Register (PMBST) Register Field Descriptions (continued)

Bit	Field	Type	Reset	Description
13	BUS_FREE	R	0	PMBus Free Indicator 0 = PMBus processing current message 1 = PMBus available for new message
12	UNIT_BUSY	R	0	PMBus Busy Indicator 0 = PMBus Interface is idle, ready to transmit/receive message 1 = PMBus Interface is busy, processing current message
11	RPT_START	R	0	Repeated Start Flag 0 = No Repeated Start received by interface 1 = Repeated Start condition received by interface
10	SLAVE_ADDR_READY	R	0	Slave Address Ready 0 = Indicates no slave address is available for reading 1 = Slave address ready to be read from Receive Data Register (Bits 6:0)
9	CLK_HIGH_TIMEOUT	R	0	Clock High Detection Status 0 = No Clock High condition detected 1 = Clock High exceeded 50us during message
8	CLK_LOW_TIMEOUT	R	0	Clock Low Timeout Status 0 = No clock low timeout detected 1 = Clock low timeout detected, clock held low for greater than 35ms
7	PEC_VALID	R	0	PEC Valid Indicator 0 = Received PEC not valid (if EOM is asserted) 1 = Received PEC is valid
6	NACK	R	0	Not Acknowledge Flag Status 0 = Data transmitted has been accepted by receiver 1 = Receiver has not accepted transmitted data
5	EOM	R	0	End of Message Indicator 0 = Message still in progress or PMBus in idle state. 1 = End of current message detected
4	DATA_REQUEST	R	0	Data Request Flag 0 = No data needed by PMBus Interface 1 = PMBus Interface request additional data. PMBus clock stretching enabled to stall bus until firmware provides transmit data.
3	DATA_READY	R	0	Data Ready Flag 0 = No data available for reading by processor 1 = PMBus Interface read buffer full, firmware required to read data prior to further bus activity. PMBus clock stretching enabled to stall bus until data is read by firmware.
2-0	RD_BYTE_COUNT	R	0	Number of Data Bytes available in Receive Data Register 0 = No received data 1 = 1 byte received. Data located in Receive Data Register, Bits 7-0 2 = 2 bytes received. Data located in Receive Data Register, Bits 15-0 3 = 3 bytes received. Data located in Receive Data Register, Bits 23-0 4 = 4 bytes received. Data located in Receive Data Register, Bits 31-0

10.10.6 PMBus Interrupt Mask Register (PMBINTM)

Address FFF7F614

Figure 10-58. PMBus Interrupt Mask Register (PMBINTM)

9	8	7	6	5	4	3	2	1	0
CLK_HIGH_DETECT	LOST_ARB	CONTROL	ALERT	EOM	SLAVE_ADDR_READY	DATA_REQUEST	DATA_READY	BUS_LOW_TIMEOUT	BUS_FREE
R/W-1	R/W-1	R/W-1	R/W-1	R/W-1	R/W-1	R/W-1	R/W-1	R/W-1	R/W-1

LEGEND: R/W = Read/Write; R = Read only; -n = value after reset

Table 10-8. PMBus Interrupt Mask Register (PMBINTM) Register Field Descriptions

Bit	Field	Type	Reset	Description
9	CLK_HIGH_DETECT	R/W	1	Clock High Detection Interrupt Mask 0 = Generates interrupt if clock high exceeds 50us during message 1 = Disables interrupt generation for Clock High detection (Default)
8	LOST_ARB	R/W	1	Lost Arbitration Interrupt Mask 0 = Generates interrupt upon assertion of Lost Arbitration flag 1 = Disables interrupt generation upon assertion of Lost Arbitration flag (Default)
7	CONTROL	R/W	1	Control Detection Interrupt Mask 0 = Generates interrupt upon assertion of Control flag 1 = Disables interrupt generation upon assertion of Control flag (Default)
6	ALERT	R/W	1	Alert Detection Interrupt Mask 0 = Generates interrupt upon assertion of Alert flag 1 = Disables interrupt generation upon assertion of Alert flag (Default)
5	EOM	R/W	1	End of Message Interrupt Mask 0 = Generates interrupt upon assertion of End of Message flag 1 = Disables interrupt generation upon assertion of End of Message flag (Default)
4	SLAVE_ADDR_READY	R/W	1	Slave Address Ready Interrupt Mask 0 = Generates interrupt upon assertion of Slave Address Ready flag 1 = Disables interrupt generation upon assertion of Slave Address Ready flag (Default)
3	DATA_REQUEST	R/W	1	Data Request Interrupt Mask 0 = Generates interrupt upon assertion of Data Request flag 1 = Disables interrupt generation upon assertion of Data Request flag (Default)
2	DATA_READY	R/W	1	Data Ready Interrupt Mask 0 = Generates interrupt upon assertion of Data Ready flag 1 = Disables interrupt generation upon assertion of Data Ready flag (Default)
1	BUS_LOW_TIMEOUT	R/W	1	Clock Low Timeout Interrupt Mask 0 = Generates interrupt upon assertion of Clock Low Timeout flag 1 = Disables interrupt generation upon assertion of Clock Low Timeout flag (Default)
0	BUS_FREE	R/W	1	Bus Free Interrupt Mask 0 = Generates interrupt upon assertion of Bus Free flag 1 = Disables interrupt generation upon assertion of Bus Free flag (Default)

10.10.7 PMBus Control Register 2 (PMBCTRL2)

Address FFF7618

Figure 10-59. PMBus Control Register 2 (PMBCTRL2)

	30		29						23		
SLAVE_ADDR_2_EN*	SLAVE_ADDR_2*										
	R/W-0									R/W-110 0000	
	22	21	20	19	18					16	
RX_BYTE_ACK_CNT	MAN_CMD		TX_PEC		TX_COUNT						
	R/W-11		R/W-0		R/W-0		R/W-000				
	15	14			8	7	6				0
PEC_ENA	SLAVE_MASK			MAN_SLAVE_ACK		SLAVE_ADDR					
	R/W-0		R/W-111 1111		R/W-0		R/W-111 1100				

LEGEND: R/W = Read/Write; R = Read only; -n = value after reset

Table 10-9. PMBus Control Register 2 (PMBCTRL2) Register Field Descriptions

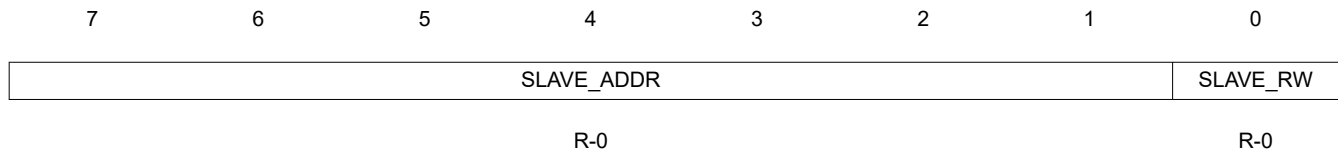
Bit	Field	Type	Reset	Description
30	SLAVE_ADDR_2_EN*	R/W	0	Enable auto detection of the 2nd slave address. 0 = 2nd slave address disabled (default) 1 = 2nd slave address enabled *Only available on UCD3138A64 and UCD3138128 A and non-A versions
29-23	SLAVE_ADDR_2*	R/W	110 0000	Configures the second device address of the slave. Used in automatic slave address acknowledge mode (default mode). *Only available on UCD3138A64 and UCD3138128 A and non-A versions)
22-21	RX_BYTE_ACK_CNT	R/W	11	Configures number of data bytes to automatically acknowledge when receiving data in slave mode. 00 = 1 byte received by slave. Firmware is required to manually acknowledge every received byte. 01 = 2 bytes received by slave. Hardware automatically acknowledges the first received byte. Firmware is required to manually acknowledge after the second received byte. 10 = 3 bytes received by slave. Hardware automatically acknowledges the first 2 received bytes. Firmware is required to manually acknowledge after the third received byte. 11 = 4 bytes received by slave. Hardware automatically acknowledges the first 3 received bytes. Firmware is required to manually acknowledge after the fourth received byte (Default)
20	MAN_CMD	R/W	0	Manual Command Acknowledgement Mode 0 = Slave automatically acknowledges received command code (Default) 1 = Data Request flag generated after receipt of command code, firmware required to issue ACK to continue message

Table 10-9. PMBus Control Register 2 (PMBCTRL2) Register Field Descriptions (continued)

Bit	Field	Type	Reset	Description
19	TX_PEC	R/W	0	Asserted when the slave needs to send a PEC byte at end of message. PMBus Interface will transmit the calculated PEC byte after transmitting the number of data bytes indicated by TX Byte Cnt(Bits 19:17). 0 = No PEC byte transmitted (Default) 1 = PEC byte transmitted at end of current message
18-16	TX_COUNT	R/W	000	Number of valid bytes in Transmit Data Register 0 = No bytes valid (Default) 1 = One byte valid, Byte #0 (Bits 7:0 of Receive Data Register) 2 = Two bytes valid, Bytes #0 and #1 (Bits 15:0 of Receive Data Register) 3 = Three bytes valid, Bytes #0-2 (Bits 23:0 of Receive Data Register) 4 = Four bytes valid, Bytes #0-3 (Bits 31:0 of Receive Data Register)
15	PEC_ENA	R/W	0	PEC Processing Enable 0 = PEC processing disabled (Default) 1 = PEC processing enabled
14-8	SLAVE_MASK	R/W	111 1111	Used in address detection, the slave mask enables acknowledgement of multiple device addresses by the slave. Writing a '0' to a bit within the slave mask enables the corresponding bit in the slave address to be either '1' or '0' and still allow for a match. Writing a '0' to all bits in the mask enables the PMBus Interface to acknowledge any device address. Upon power-up, the slave mask defaults to 7Fh, indicating the slave will only acknowledge the address programmed into the Slave Address (Bits 6-0).
7	MAN_SLAVE_ACK	R/W	0	Manual Slave Address Acknowledgement Mode 0 = Slave automatically acknowledges device address specified in SLAVE_ADDR, Also uses SLAVE_ADDR_2 if present and enabled. (Default) 1 = Enables the Manual Slave Address Acknowledgement Mode. Firmware is required to read received address and acknowledge on every message
6-0	SLAVE_ADDR	R/W	111 1100	Configures the current device address of the slave. Used in automatic slave address acknowledge mode (default mode). The PMBus Interface will compare the received device address with the value stored in the Slave Address bits and the mask configured in the Slave Mask bits. If matching, the slave will acknowledge the device address.

10.10.8 PMBus Hold Slave Address Register (PMBHSA)

Address FFF7F61C

Figure 10-60. PMBus Hold Slave Address Register (PMBHSA)


LEGEND: R/W = Read/Write; R = Read only; -n = value after reset

Table 10-10. PMBus Hold Slave Address Register (PMBHSA) Register Field Descriptions

Bit	Field	Type	Reset	Description
7-1	SLAVE_ADDR	R	0	Stored device address acknowledged by the slave
0	SLAVE_RW	R	0	Stored R/W bit from address acknowledged by the slave 0 = Write Access 1 = Read Access

10.10.9 PMBus Control Register 3 (PMBCTRL3)

Address FFF7F620

Figure 10-61. PMBus Control Register 3 (PMBCTRL3)

24

23

I2C_MODE_EN*				CLK_HI_DIS* or CLK_HI_EN*			
R/W-0				R/W-1 or R/W-0			
22	21	20	19	18	17	16	
MASTER_EN	SLAVE_EN	CLK_LO_DIS	IBIAS_B_EN	IBIAS_A_EN	SCL_DIR	SCL_VALUE	
R/W-0	R/W-0	R/W-0	R/W-0	R/W-0	R/W-0	R/W-0	
15	14	13	12	11	10	9	8
SCL_MODE	SDA_DIR	SDA_VALUE	SDA_MODE	CNTL_DIR	CNTL_VALUE	CNTL_MODE	ALERT_DIR
R/W-0	R/W-0	R/W-0	R/W-0	R/W-0	R/W-0	R/W-0	R/W-0
7	6	5	4	3	2	1	0
ALERT_VALUE	ALERT_MODE	CNTL_INT_EDGE	FAST_MODE_PLUS	FAST_MODE	BUS_LO_INT_EDGE	ALERT_EN	RESET
R/W-0	R/W-0	R/W-0	R/W-0	R/W-0	R/W-0	R/W-0	R/W-0

LEGEND: R/W = Read/Write; R = Read only; -n = value after reset

Table 10-11. PMBus Control Register 3 (PMBCTRL3) Register Field Descriptions

Bit	Field	Type	Reset	Description
24	I2C_MODE_EN*	R/W	0	I2C Mode Enable – Utilized for Master mode only 0 = I2C Mode Disabled (Default) 1 = I2C Mode Enabled The only effect of I2C_MODE_EN is to remove the automatic insertion of number of bytes in block writes in master mode. *Only available on UCD3138A64 and UCD3138128 A and non-A versions
23	CLK_HI_DIS*	R/W	1	Clock High Timeout Disable 0 = Clock High Timeout Enabled 1 = Clock High Timeout Disabled (Default) *Only available on UCD3138A64 and UCD3138128 A and non-A versions
23	CLK_HI_EN*	R/W	0	Clock High Timeout Enable 0 = Clock High Timeout Disabled (Default) 1 = Clock High Timeout Enabled *Only available on UCD3138A and UCD3138064A
22	MASTER_EN	R/W	0	PMBus Master Enable 0 = Disables PMBus Master capability (Default) 1 = Enables PMBus Master capability
21	SLAVE_EN	R/W	0	PMBus Slave Enable 0 = Disables PMBus Slave capability 1 = Enables PMBus Slave capability (Default)

Table 10-11. PMBus Control Register 3 (PMBCTRL3) Register Field Descriptions (continued)

Bit	Field	Type	Reset	Description
20	CLK_LO_DIS	R/W	0	Clock Low Timeout Disable 0 = Clock Low Timeout Enabled (Default) 1 = Clock Low Timeout Disabled
19	IBIAS_B_EN	R/W	0	PMBus Current Source B Control 0 = Disables Current Source for PMBUS address detection thru ADC (Default) 1 = Enables Current Source for PMBUS address detection thru ADC
18	IBIAS_A_EN	R/W	0	PMBus Current Source A Control 0 = Disables Current Source for PMBUS address detection thru ADC (Default) 1 = Enables Current Source for PMBUS address detection thru ADC
17	SCL_DIR	R/W	0	Configures direction of PMBus clock pin in GPIO mode 0 = PMBus clock pin configured as output (Default) 1 = PMBus clock pin configured as input
16	SCL_VALUE	R/W	0	Configures output value of PMBus clock pin in GPIO Mode 0 = PMBus clock pin driven low in GPIO Mode (Default) 1 = PMBus clock pin driven high in GPIO Mode
15	SCL_MODE	R/W	0	Configures mode of PMBus Clock pin 0 = PMBus clock pin configured in functional mode (Default) 1 = PMBus clock pin configured as GPIO
14	SDA_DIR	R/W	0	Configures direction of PMBus data pin in GPIO mode 0 = PMBus data pin configured as output (Default) 1 = PMBus data pin configured as input
13	SDA_VALUE	R/W	0	Configures output value of PMBus data pin in GPIO Mode 0 = PMBus data pin driven low in GPIO Mode (Default) 1 = PMBus data pin driven high in GPIO Mode
12	SDA_MODE	R/W	0	Configures mode of PMBus Data pin 0 = PMBus data pin configured in functional mode (Default) 1 = PMBus data pin configured as GPIO
11	CNTL_DIR	R/W	0	Configures direction of Control pin in GPIO mode 0 = Control pin configured as output (Default) 1 = Control pin configured as input
10	CNTL_VALUE	R/W	0	Configures output value of Control pin in GPIO Mode 0 = Control pin driven low in GPIO Mode (Default) 1 = Control pin driven high in GPIO Mode
9	CNTL_MODE	R/W	0	Configures mode of Control pin 0 = Control pin configured in functional mode (Default) 1 = Control pin configured as GPIO
8	ALERT_DIR	R/W	0	Configures direction of Alert pin in GPIO mode 0 = Control pin configured as output (Default) 1 = Control pin configured as input
7	ALERT_VALUE	R/W	0	Configures output value of Alert pin in GPIO Mode 0 = Alert pin driven low in GPIO Mode (Default) 1 = Alert pin driven high in GPIO Mode
6	ALERT_MODE	R/W	0	Configures mode of Alert pin 0 = Alert pin configured in functional mode (Default) 1 = Aler3 pin configured as GPIO

Table 10-11. PMBus Control Register 3 (PMBCTRL3) Register Field Descriptions (continued)

Bit	Field	Type	Reset	Description
5	CNTL_INT_EDGE	R/W	0	Control Interrupt Edge Select 0 = Interrupt generated on falling edge of Control (Default) 1 = Interrupt generated on rising edge of Control
4	FAST_MODE_PLUS	R/W	0	Fast Mode Plus Enable 0 = Standard 100 KHz mode enabled (Default) 1 = Fast Mode Plus enabled (1MHz operation on PMBus)
3	FAST_MODE	R/W	0	Fast Mode Enable 0 = Standard 100 KHz mode enabled (Default) 1 = Fast Mode enabled (400KHz operation on PMBus)
2	BUS_LO_INT_EDGE	R/W	0	Clock Low Timeout Interrupt Edge Select 0 = Interrupt generated on rising edge of clock low timeout (Default) 1 = Interrupt generated on falling edge of clock low timeout
1	ALERT_EN	R/W	0	Slave Alert Enable 0 = PMBus Alert is not driven by slave, pulled up high on PMBus (Default) 1 = PMBus Alert driven low by slave
0	RESET	R/W	0	PMBus Interface Synchronous Reset 0 = No reset of internal state machines (Default) 1 = Control state machines are reset to initial states



The Timer Module contains a total of 6 timers. They are:

- T24, a 24 bit free-running timer that is best used for timing asynchronous events
- Instances of T16PWM, a 16 bit timer best used for PWM and for generating regular, recurring interrupts
- WD – a watchdog timer

11.1 T24 – 24 Bit Free-Running Timer with Capture and Compare	415
11.2 T24 Clock Source, Prescaler and Counter	415
11.3 T24 Capture Block	416
11.4 T24 Compare Blocks	417
11.5 T24 Interrupts	417
11.6 T16PWMx - 16 Bit PWM Timers	417
11.7 T16PWMx Summary	418
11.8 T16PWMx Prescaler and Counter	418
11.9 T16PWMx Compare Blocks	419
11.10 T16 Shadow Bit	419
11.11 T16 Interrupts	420
11.12 Using the T16 for a Timer Interrupt	420
11.13 Using the T16 for PWM Generation	420
11.14 WD - Watchdog	420
11.15 Watchdog Prescale and Counter	421
11.16 Watchdog Compare Blocks	421
11.17 Watchdog Protect Bit	421
11.18 Watchdog Timer Example	422
11.19 Warnings for Watchdog Status Register	422
11.20 System Fault Recovery Basics	422
11.21 Timer Module Register Reference	423

11.1 T24 – 24 Bit Free-Running Timer with Capture and Compare

Here is a block diagram of the T24 Module:

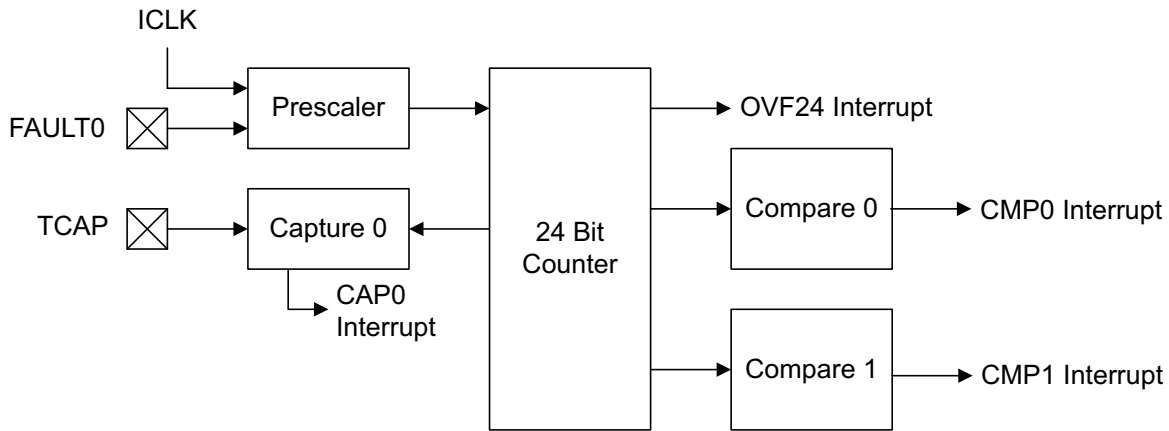


Figure 11-1.

Note that the UCD3138A64 and UCD3138128 add a second capture module – CAP1. The pin names are TCAP0 and TCAP1.

11.2 T24 Clock Source, Prescaler and Counter

The core of the T24 timer is a 24 bit free-running counter. The clock input for the T24 timer can come from a clock within the UCD3138, ICLK, which is nominally 15.6 MHz. Consult the UCD3138 device datasheet for the precise specification.

It can also be used with an external clock from the FAULT-0 pin.

The internal clock is the default. To select the external clock source instead, execute this C equation:

```
TimerRegs.T24CNTCTRL.bit.EXT_CLK_SEL = 1;
```

All C code references in this document use standard TI header files, provided as part of the UCD3138 EVM (UCD3138PFCEVM-026, UCD3138LLCEVM-028 etc) reference firmware.

- The first term, TimerRegs, refers to the Timer Register block
- The second term, T24CNTCTRL, refers to the specific register within that block
- Bit refers to the bit map. EXT_CLK_SEL refers to the specific bit field within the bit map

The clock then runs through a prescaler. The prescaler is controlled by an 8 bit register. Register values from 0 to 255 correspond to dividing the clock by 1 to 256.

The divider count always equals register +1. The register C code is:

```
TimerRegs.T24CNTCTRL.bit.PRESCALE = 255;//Load with maximum divide ratio
```

With the nominal ICLK, and the 24 bit counter, a divide of 256 means that the timer will free run for about 4.5 minutes before overflowing.

Counter overflow can be used to generate an interrupt, if desired. The default is for the interrupt to be disabled. To enable it, here is the C code:

```
TimerRegs.T24CNTCTRL.bit.OV_INT_ENA = 1;
```


There is also a bit that can be polled to indicate that an overflow has occurred:

```
result = TimerRegs.T24CNTCTRL.bit.OV_FLAG;
```

It is necessary to write a 1 to the OV_FLAG to clear it. This will also clear the overflow interrupt.

The 24 bit free running counter can be read by firmware to provide a time base. For example, to measure the time required for a section of firmware, simply read the counter at the beginning and end of the section and subtract the start count from the end count. To read from the counter:

```
result = TimerRegs.T24CNTDAT.bit.CNT_DAT;
```

It is necessary to design the program to compensate for a counter overflow in case one occurs during that section of firmware. The OV_FLAG bit is useful in this case.

The counter is completely free running. There is no way to write to it, reset it, or to change when it overflows. It just keeps counting until all 24 bits overflow, then it starts over from zero.

The counter provides a 24-bit timer bus to all input capture and output compare units inside the Capture/Control module.

11.3 T24 Capture Block

The T24's capture block is used to collect timing information about external signals. The capture block can be programmed to capture the 24 bit timer value on an edge on the external signal. It can also generate an interrupt on the edge.

The edge control bits can select:

00 = No Capture (Default)

01 = Rising Edge

10 = Falling Edge

11 = Both Edges

For example, to program for both edges:

```
TimerRegs.T24CAPCTRL.bit.EDGE = 3; //both edges
```

There are CAP_INT_ENA and CAP_INT_FLAG bits which work much the same as the overflow bits for the 24 bit counter. They are also in the T24CAPCTRL register.

For low speed signals, a single capture block can be used for both edges. For example, to determine the positive pulse width of a signal:

- Connect the signal to the TCAP pin
- Enable capture on the rising edge
- Poll the CAP_INT_FLAG bit, or enable the interrupt.
- When the capture occurs, read the capture data register

```
result = TimerRegs.T24CAPDAT.bit.CAP_DAT;
```

- Then enable capture on the falling edge.
- When the capture occurs, read the capture data register again and subtract:

```
result = TimerRegs.T24CAPDAT.bit.CAP_DAT - result;
```

Note that overflow handling may be necessary as well. This depends on the expected timing of the signal.

One simple solution is that if the final result is negative, adding $0x1000000$, (2^{24}) will give the correct result. This is accurate so long as only one overflow has occurred. If there is a possibility of more than one overflow occurring, it will be necessary to keep track of this.

The same approach can apply to any combination of edges.

For measuring fast pulses, it may be necessary to use both capture pins for a single signal. For a fast positive pulse, for example, program one capture register for the rising edge and one for the falling edge. Note that this only works when the low signal time is long enough to permit initialization. If the low going pulse is fast also, it is not possible to tell which edge came first.

There is also a T24CAPIO register which permits using the TCAP pin as a General Purpose I/O pin. It is very straightforward to use. See [Section 11.21.5](#) for more information.

Note that the registers will continue to capture edges. The capture registers do not take the first capture value and hold it. Instead, they will give the time value of the latest edge.

The capture can also come from other sources. There is a CAP_SEL bitfield in the T24CAPCTRL register. It can select from 4 signal sources:

- TCAP – the default, dedicated pin
- SCI_RX0 – useful for measuring the receive baud rate
- SCI_RX1 – see above
- SYNC – useful for synchronizing and phase matching to FET switching signals from another UCD

11.4 T24 Compare Blocks

The counter is also used by 2 compare blocks. Compare blocks are programmed with a 24 bit value. When the 24 bit counter matches that value, the compare block is triggered.

These compare blocks are best used when the firmware starts an asynchronous process that needs some other event to follow at a fixed interval. Add the desired interval to the current counter value, and put the result into the compare register. When the time elapses, the interrupt will occur, or the TCMP pin will change.

To load the compare register with a fixed interval:

```
#define FIXED_INTERVAL 100
.....
TimerRegs.T24CMP0DAT.bit.CMP_DAT = TimerRegs.T24CNTDAT.bit.CNT_DAT + FIXED_INTERVAL;
```

This technique will even work well if an overflow occurs during the interval. Just like the timer, the result will overflow and be clipped.

The configuration of the Compare Blocks is relatively straightforward. Refer to [Section 11.21](#) for details.

11.5 T24 Interrupts

There are 4 or 5 T24 interrupts, depending on the device. Each one has a separate bit in the CIM – Central Interrupt Module. This means that each interrupt can have an independent interrupt vector, with no need to read from the timer module to determine which interrupt has occurred. On the UCD3138128A and UCD3138A64A, the DTC interrupt is combined with one of the T24 interrupts

Please note that the frequency of T24 interrupts is not adjustable. Therefore T24 may not be used for generating periodic system tick interruptions.

11.6 T16PWMx - 16 Bit PWM Timers

The UCD3138RGC (64-pin version) has 4 independent 16 bit timers. These are best used for repetitive, regular interrupts, and for PWM generation, for example for fan drive control.

Depending on the specific device, not all timers will have output pins associated with them. Consult the device datasheet for specific information.

11.7 T16PWMx Summary

The 16PWMx timers have a 16 bit counter driven by a prescaler, which is driven by ICLK. They have 2 compare units which combine to control one output pin. Each compare unit can generate an interrupt, as can the counter overflow. All of the interrupts from a specific timer are combined into one before being sent to the CIM interrupt module. Each timer has its own interrupt bit in the CIM.

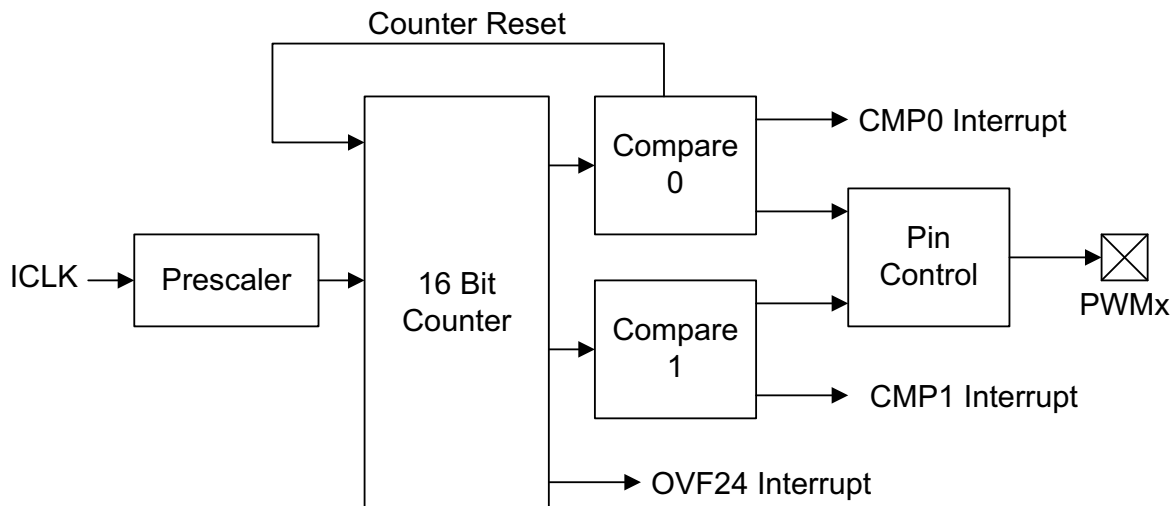


Figure 11-2.

11.8 T16PWMx Prescaler and Counter

The Prescaler for the 16 bit PWM Timer is always driven by ICLK. The clock divide is equal to PRESCALE + 1.

Here is C code which sets the prescale value to 3, for a divide of 4:

```
TimerRegs.T16PWM0CNTCTRL.bit.PRESCALE = 3; //divide by 4
```

To see the counter value, please follow the example below:

```
result = TimerRegs.T16PWM0CNTDAT.bit.CNT_DAT;
```

The counter is free-running and counts from 0x0000 after a reset. If the counter reaches 0xFFFF, it rolls over to 0x0000 and continues counting. This rollover causes the overflow flag to be set and an interrupt to be generated, if enabled. The interrupt and flag bits are well described in [Section 11.21](#).

The timer can also be reset by a compare event on the compare 0 block. To enable this function, use this C code:

```
TimerRegs.T16PWM0CNTCTRL.bit.CMP_RESET_ENA = 1; //enable Comp 0 reset
```

If this bit is set the counter will be reset when the counter reaches the value in the T16PWM0CMP0DAT.bit.CMP_DAT register.

The 16 bit counter can also be reset by setting the SW_RESET bit:

```
TimerRegs.T16PWM0CNTCTRL.bit.SW_RESET = 0; //reset and stop counter
```

A zero in SW_RESET is the default state, so it is necessary to write a 1 to this bit in order for the counter to run. The compare and control registers should be initialized before writing to SW_RESET to enable the counter.

11.9 T16PWMx Compare Blocks

There are two Compare Blocks for the T16PWMx timer. The Compare 0 block has the capability to reset the 16 bit counter. The Compare 1 block does not.

The Compare 0 block also has the highest priority. If both compare data registers are loaded with the same value, the Compare 0 operation will take place, and the Compare 1 operation will be ignored.

Each compare block has a 16 bit data register. When the 16 bit counter value matches the value in the data register, a programmed action can take place on the output pin for the T16. Here is the C code to write to a compare data register:

```
TimerRegs.T16PWM0CMP0DAT.bit.CMP_DAT = 100;
```

The compare action is programmable for each compare block to one of 4 states:

00 = No action (Default)

01 = Set pin

10 = Clear pin

11 = Toggle pin

To set Compare 0 up to toggle the pin:

```
TimerRegs.T16PWM0CMPCTRL.bit.PWM_OUT_ACTION0 = 3;
```

There is also an OUT bit and an OUT_DRV bit. When a 1 is written to the OUT_DRV bit, the OUT bit value is placed on the pin. Both compare blocks and the OUT bit can work seamlessly together.

All of this only works, of course, if the OUT_ENA bit is set as well. The default state for the pin is as an input, so it is necessary to set the OUT_ENA bit if output is desired.

As already mentioned, each compare block can cause an interrupt, if it is enabled. The interrupt enable and flag bits are described in [Section 11.21](#) for details.

11.10 T16 Shadow Bit

The compare control register also contains a SHADOW bit. It is normally cleared, but it can be set this way:

```
TimerRegs.T16PWM0CMPCTRL.bit.SHADOW = 1;
```

The SHADOW bit is useful for a PWM output that will vary over time. The compare blocks work by detecting when the compare data is equal to the 16 bit counter value. This works fine if the compare data is never changed.

If, however, the compare data value is reduced at the wrong time, it is possible for the compare block to miss it, and therefore for the PWM pulse to remain on for the entire period.

For example, suppose that the compare 1 data value is 100. Suppose that the counter value is 90, and the compare 1 data register is written to, changing the data value to 80. In this case, for one cycle, the compare 1 event will not occur. Normally for PWM, compare 1 is used to turn off the PWM pulse. So the result will be a PWM pulse that is on for the entire period.

If the SHADOW bit is set, it enables buffer registers, called shadow registers, for the compare data registers. The data written is stored in the shadow register until the next compare event, and only then is it written into the compare data register.

So to return to the example, the 80 will not be written into the data register until after the counter reaches 100, so the pulse will stop at 100, instead of going on to the end.

There are two side effects to using the shadow register:

1. Read always reads from the actual data register. So if the data register is written to and then read from before the next compare event for that block, the old data will still be read.
2. If the value written to the data register is higher than the current value, it may be possible to have two compare events. For example if the counter value is 70, the data value is 80, and the new data value is 100, the compare event will occur at 80, and the shadow register will be copied into the data register. Then a second compare event will occur when the 16 bit counter reaches 100. This should not be a problem if the compare action is a set or reset, but if the action is a toggle, this could be a problem. Or if the compare interrupt is being used.

Of course, the same thing could happen without the shadow bit set.

11.11 T16 Interrupts

The T16 module generates 3 interrupts. All of them are combined into a single signal for the CIM. Therefore, if more than one interrupt is enabled for a module, it will be necessary to read the module registers in order to determine the source(s) of the interrupt. It will also be necessary to write to all the interrupt flags which are set to clear the interrupt.

11.12 Using the T16 for a Timer Interrupt

The C code below should provide an approximate 10 KHz interrupt from the T16:

```
TimerRegs.T16PWM0CMP0DAT.bit.CMP_DAT = 1587; //value to reset counter
TimerRegs.T16PWM0CMPCTRL.bit.CMP0_INT_ENA = 1; //interrupt when counter reset
TimerRegs.T16PWM0CNTCTRL.bit.CMP_RESET_ENA = 1; //enable reset by comp 0
TimerRegs.T16PWM0CNTCTRL.bit.SW_RESET = 1; //allow counter to run
```

In UCD3138 the interrupt flags are not cleared automatically by hardware when the interrupt is serviced. Therefore the interrupt flag needs to be manually cleared by adding the following statement at the end of the relevant interrupt service routine.

```
TimerRegs.T16PWM1CMPCTRL.all |= 3;
```

When T16 is used for timer interrupt generation, its PWM output can be used as an independent GPIO simultaneously. This can be done by using the PWM_OUT_ENA, PWM_OUT_DRV, and PWM_OUT bits described above, or it can be done using the Global I/O registers described elsewhere in this document.

11.13 Using the T16 for PWM Generation

UCD3138RGC (64-pin version) offers two timer PWM outputs (PWM0 and PWM1), but UCD3138RHA (40-pin version) offers only one timer PWM0 output. The C code below should provide a 50% PWM at approximately 10 KHz. Consult the UCD3138 device datasheet for ICLK speeds.

```
TimerRegs.T16PWM0CMP0DAT.bit.CMP_DAT = 1587; //value to reset counter
TimerRegs.T16PWM0CMP1DAT.bit.CMP_DAT = 793; //50%50 duty cycle half of comp 0
TimerRegs.T16PWM0CMPCTRL.bit.PWM_OUT_ACTION0 = 1; //1 is for clear pin
TimerRegs.T16PWM0CMPCTRL.bit.PWM_OUT_ACTION1 = 2; //2 is for clear pin
TimerRegs.T16PWM0CNTCTRL.bit.CMP_RESET_ENA = 1; //enable reset by comp 0
TimerRegs.T16PWM0CMPCTRL.bit.PWM_OUT = 0; //make sure that default is a 0
TimerRegs.T16PWM0CMPCTRL.bit.PWM_OUT_DRV = 1; //put zero into output latch
TimerRegs.T16PWM0CMPCTRL.bit.PWM_OUT_ENA = 1; //enable pin as an output
TimerRegs.T16PWM0CNTCTRL.bit.SW_RESET = 1; //allow counter to run
```

This program uses the Capture 0 block to set the PWM pin high at the end of the previous cycle and simultaneously reset the counter. Then the Capture 1 block, which is loaded with a value 50% the size of Capture 0, clears the PWM pin value halfway through the period.

11.14 WD - Watchdog

The watchdog is the smallest module in the timer. It is primarily designed to assist in recovery in the event of a firmware or processor fault. The watchdog is not intended for use as a source of a timer interrupt. It doesn't use the central clock – for reliability it has its own unique clock. This clock has a much higher variation over

temperature and voltage, and from device to device than the clock for the rest of the device. See the data sheet for each device for the details of the variation.

Unlike the other timers, the counter in the watchdog is invisible, and the compare data values are fixed.

The interrupts occur always when the counter is half full and when it is full.

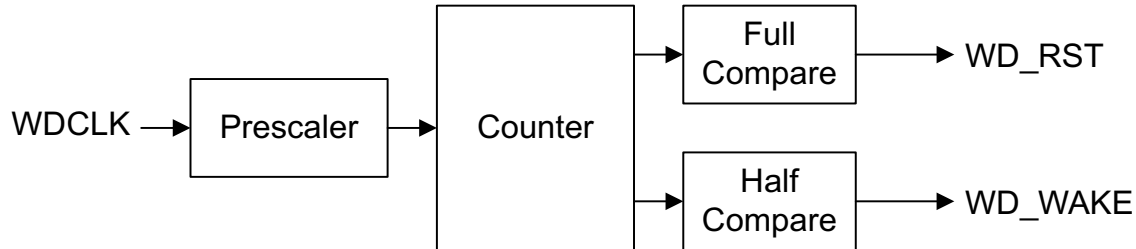


Figure 11-3.

11.15 Watchdog Prescale and Counter

The watchdog "prescale" is the `WD_PERIOD` bit field. It sets the counter period for the watchdog to a time between approximately 17ms typical (14.5ms Min to 20.1ms max) and approximately 2.2 sec typical (1.85 sec Min to 2.6 sec Max). Note that these numbers are for a specific device and a specific version of that device. Consult the current data sheet for the specific device you are using.

The counter can be reset by writing a 1 to the `CNT_RESET` bit. When using the watchdog, normally a write to `CNT_RESET` is put into the background loop of the program. That way if the program gets lost, the counter will not get reset, and the watchdog will trigger, resetting the UCD.

The counter output is used by two compare blocks with fixed values.

11.16 Watchdog Compare Blocks

The two compare blocks are one for the counter half full, and one for the counter overflow.

The half full counter interrupt is intended to give advance warning that something is wrong with program execution. If the interrupt function is still working, it can be used to start a recovery operation.

The counter overflow can also be used just as an interrupt, or it can be configured to reset the CPU.

The configuration is relatively simple, and can be understood from [Section 11.21.15](#).

Note that the Watchdog Wake Event is another name for the Half Compare Event.

The only special bit is the Protect bit.

11.17 Watchdog Protect Bit

The Watchdog Protect bit is a special bit. Once it is cleared, it cannot be set again. It also causes other bits to be set so that they cannot be cleared. The effect is that once the protect bit is cleared, the watchdog timer cannot be turned off. It will always need to be cleared by writing a 1 to `CNT_RESET`.

Other bits in the Watchdog Control register are not protected, however. For example, the `WD_PERIOD` bits can still be changed, as can the interrupt enable bits. Refer to [Section 11.21](#) for details.

11.18 Watchdog Timer Example

In normal watchdog operation, the watchdog is set up to reset the CPU if it makes it to a full count. The firmware is designed to write a 1 to the CNT_RESET bit frequently, so that the watchdog should never reach a full count unless some fault causes the firmware to stop executing properly.

Initialization of the watchdog is very simple:

```
TimerRegs.WDCTRL.bit.CNT_RESET = 1; //make sure counter is cleared
TimerRegs.WDCTRL.bit.WDRST_EN = 1; //Enable watchdog
TimerRegs.WDCTRL.bit.CPU_RESET_EN = 1; //Enable resetting of CPU is watchdog overflows
TimerRegs.WDCTRL.bit.PROTECT = 0; //enable protected watchdog
```

Then just repeat the two statements below frequently enough in the code to prevent the watchdog counter from overflowing:

```
TimerRegs.WDCTRL.bit.CNT_RESET = 1; //make sure counter is cleared
```

If a faster watchdog timeout is desired, simply write to the WD_PERIOD bitfield:

```
TimerRegs.WDCTRL.bit.WD_PERIOD = 2; // fast watchdog
```

The default value for WD_PERIOD is 0x7f, which will give an approximate 2.2second watchdog.

11.19 Warnings for Watchdog Status Register

Normally there is no need to read the status, but if there is, some precautions should be taken. The Watchdog Status Register is a clear on read register. The Watchdog is asynchronous to the CPU. On rare instances, it is possible to read from the register at exactly the right time and read a 0 even though the bit has been set and then cleared by the read.

To avoid this issue, set the interrupt enable bits in the WDCTRL register, even if the interrupts are not going to be used. Then poll the interrupt bits in the CIM to determine when the WD bits are set. Then it is safe to read from the WD status register to clear the bits, which will also clear the CIM bits.

Additionally, please note the following:

- the WAKE_EV_INT will be set at the halfway point and cleared on read of Watchdog Status Register.
- all three bits in the WDST register may be set upon power up reset, so they should be read from in order to clear them before any polling operation begins.
- any bitwise read actually reads from the entire register and will clear all the bits which are set. So if sampling of multiple bits is desired, copy the register into a variable and examine the bits individually there.

11.20 System Fault Recovery Basics

There is a register in the System Module – SYSESR – System Exception Status Register – which saves the reset cause through the reset. There is a bit for every event except the watchdog timer.

It is possible to look at this register when the program is entered and determine if the reset was caused by the watchdog timer, or some other cause, such as an illegal address access. Often if a problem occurs with firmware execution, some other fault will occur before the watchdog timer times out. So if a reset occurs and none of the bits are set, then the cause is the watchdog timer.

To use this register, examine it when the program is first started. Do whatever processing is necessary, save the reset cause if desired, and then clear the register. In this way, it will be possible to tell the next reset cause. If the register is not cleared by the program, there may be two bits set the next time, making it impossible to determine the cause of the newest reset.

All resets, regardless of the cause, will reset all of the peripherals to their default state, so most outputs will go to inputs and so on. This will generally have the effect of shutting down any power supply that is being controlled by the device.

11.21 Timer Module Register Reference

UCD3138RGC (64-pin version) offers two timer PWM outputs, but UCD3138RHA offers only a single timer PWM output. Please consult the device data sheet for the specific device for more information.

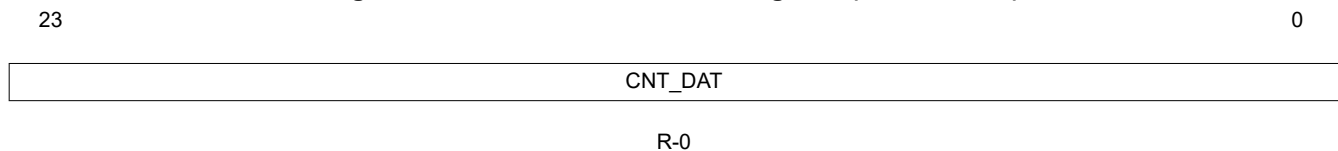
Timer Registers have the following attributes:

- 32-bit wide
- Addresses placed on word boundaries
- Byte, Half-Word and word writes permitted
- All Registers can be read in any mode
- All Registers, except for the Timer Powerdown Control Register, are writeable in any mode. The Timer Powerdown Control Register is writeable only in privilege mode

11.21.1 24-bit Counter Data Register (T24CNTDAT)

Address FFF7FD00

Figure 11-4. 24-bit Counter Data Register (T24CNTDAT)



LEGEND: R/W = Read/Write; R = Read only; -n = value after reset

Table 11-1. 24-bit Counter Data Register (T24CNTDAT) Register Field Descriptions

Bit	Field	Type	Reset	Description
23-0	CNT_DAT	R	0	Contains the 24-bit counter value

11.21.2 24-bit Counter Control Register (T24CNTCTRL)

Address FFF7FD04

Figure 11-5. 24-bit Counter Control Register (T24CNTCTRL)

15	8	7	3	2	1	0	
PRESCALE		Reserved			EXT_ CLK_ SEL	OV_ INT_ ENA	OV_ FLAG
R/W-0000 0000		R-00000			R/W-0	R/W-0	R-0

LEGEND: R/W = Read/Write; R = Read only; -n = value after reset

Table 11-2. 24-bit Counter Control Register (T24CNTCTRL) Register Field Descriptions

Bit	Field	Type	Reset	Description
15-8	PRESCALE	R/W	0000 0000	Defines the prescaler value used to select the 24-bit counter resolution. The minimum divider ratio is 4, prescaler value less than 3 defaults to 3. Counter Resolution = (Prescaler Value+1)*1/ICLK
7-3	Reserved	R/W	00000	
2	EXT_CLK_SEL	R/W	0	External Clock Select 0 = Selects ICLK as clock for 24-bit counter (Default) 1 = Selects External Clock on FAULT-0 as clock for 24-bit counter
1	OV_INT_ENA	R/W	0	Counter Overflow Interrupt Enable 0 = Disables 24-bit Counter Overflow Interrupt (Default) 1 = Enables 24-bit Counter Overflow Interrupt
0	OV_FLAG	R	0	Indicates a counter overflow. Overflow event is cleared by writing a '1' to this bit. If a clear and an overflow event occur at the same time, the flag will remain high (set has priority versus clear). 0 = No counter overflow since last clear 1 = Counter overflow since last clear

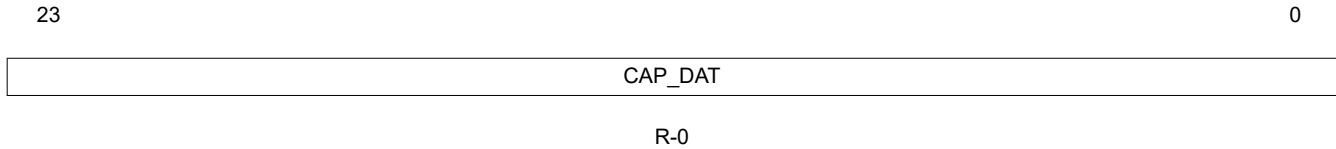
11.21.3 24-bit Capture Channel Data Register (T24CAPDAT) or (T24CAPDATx)

Address FFF7FD08 – 24-bit Capture Data Register 0

Address FFF7FD0C – 24-bit Capture Data Register 1 – only on 'A64 and 128

The 'a64 and '128 devices have T24CAPDAT0 and 1. Other devices have T24CAPDAT.

Figure 11-6. 24-bit Capture Channel Data Register (T24CAPDAT)



LEGEND: R/W = Read/Write; R = Read only; -n = value after reset

Table 11-3. 24-bit Capture Channel Data Register (T24CAPDAT) Register Field Descriptions

Bit	Field	Type	Reset	Description
23-0	CAP_DAT	R	0	Contains the 24-bit input capture value

11.21.4 24-bit Capture Channel Control Register (T24CAPCTRLx or T24CAPCTRL)

Address FFF7FD14 – 24-bit Capture Channel Control Register 0

Address FFF7FD18 – 24-bit Capture Channel Control Register 1 – only on 'A64 and 128

The 'a64 and '128 devices have T24CAPCTRL0 and 1. Other devices have T24CAPCTRL.

Figure 11-7. 24-bit Capture Channel Control Register (T24CAPCTRL)

5	4	3	2	1	0
CAP_SEL		EDGE		CAP_INT_ENA	CAP_INT_FLAG
R/W-00		R/W-00		R/W-0	R/W-0

LEGEND: R/W = Read/Write; R = Read only; -n = value after reset

Table 11-4. 24-bit Capture Channel Control Register (T24CAPCTRL) Register Field Descriptions

Bit	Field	Type	Reset	Description
5-4	CAP_SEL	R/W	00	Capture Pin Select 00 = TCAP pin (Default) 01 = SCL_RX[0] pin 10 = SCL_RX[1] pin 11 = SYNC pin
3-2	EDGE	R/W	00	Input Capture Edge Select 00 = No Capture (Default) 01 = Rising Edge 10 = Falling Edge 11 = Both Edges
1	CAP_INT_ENA	R/W	0	Input Capture Interrupt Enable 0 = Disables 24-bit input capture interrupt (Default) 1 = Enables 24-bit input capture interrupt
0	CAP_INT_FLAG	R/W	0	Flag which indicates a valid input capture event. This bit is cleared by writing a '1' to it or by reading the corresponding Capture Channel Data Register. If a clear and a valid capture event occur at the same time, the flag will remain high (set has priority versus clear). 0 = No valid capture event since last clear 1 = Valid capture event since last clear

11.21.5 24-bit Capture I/O Control and Data Register (T24CAPIO)

Address FFF7FD20

* - .128 and 'A64 devices have 2 TCAP pins, so bits in this register are numbered TCAP_0 and TCAP_1. On devices with only 1 pin, there is no number, so it's just TCAP, in the locations used by TCAP0 bits above.

Figure 11-8. 24-bit Capture I/O Control and Data Register (T24CAPIO)

5	4	3	2	1	0
TCAP_1_IN*	TCAP_1_OUT*	TCAP_1_DIR*	TCAP_0_IN*	TCAP_0_OUT*	TCAP_0_DIR*
R-0	R/W-0	R/W-0	R-0	R/W-0	R/W-0

LEGEND: R/W = Read/Write; R = Read only; -n = value after reset

Table 11-5. 24-bit Capture I/O Control and Data Register (T24CAPIO) Register Field Descriptions

Bit	Field	Type	Reset	Description
5	TCAP_1_IN	R	0	Input data for pin TCAP_1/TDI/TDO pin, when connected to chip I/O 0 = Logic level low detected on TCAP pin 1 = Logic level high detected on TCAP pin
4	TCAP_OUT	R/W	0	Output data for pin TCAP_1 pin, when connected to chip I/O 0 = Logic level low driven on TCAP_1 pin in output mode (Default) 1 = Logic level high driven on TCAP_1 pin in output mode
3	TCAP_1_DIR	R/W	0	Controls data direction for pin TCAP, when connected to chip I/O 0 = TCAP_1 pin configured as input (Default) 1 = TCAP_1 pin configured as output
2	TCAP_IN or TCAP_0_IN	R	0	Input data for TCAP or TCAP0 pin, when connected to chip I/O 0 = Logic level low detected on TCAP pin 1 = Logic level high detected on TCAP pin
1	TCAP_OUT or TCAP_0_OUT	R/W	0	Output data for TCAP or TCAP0 pin, when connected to chip I/O 0 = Logic level low driven on TCAP pin in output mode (Default) 1 = Logic level high driven on TCAP pin in output mode
0	TCAP_DIR or TCAP_0_DIR*	R/W	0	Controls data direction for TCAP or TCAP0 pin, when connected to chip I/O 0 = TCAP pin configured as input (Default) 1 = TCAP pin configured as output

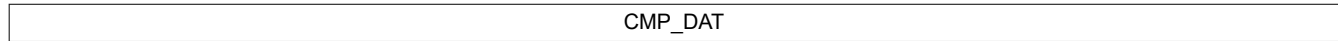
11.21.6 24-bit Output Compare Channel 0 Data Register (T24CMPDAT0)

Address FFF7FD24

Figure 11-9. 24-bit Output Compare Channel 0 Data Register (T24CMPDAT0)

23

0



R/W-0000 0000 0000 0000 0000 0000

LEGEND: R/W = Read/Write; R = Read only; -n = value after reset

Table 11-6. 24-bit Output Compare Channel 0 Data Register (T24CMPDAT0) Register Field Descriptions

Bit	Field	Type	Reset	Description
23-0	CMP_DAT	R/W	0000 0000 0000 0000 0000 0000	Contains the 24-bit output comparison value

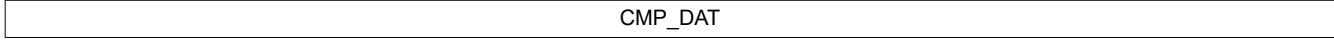
11.21.7 24-bit Output Compare Channel 1 Data Register (T24CMPDAT1)

Address FFF7FD28

Figure 11-10. 24-bit Output Compare Channel 1 Data Register (T24CMPDAT1)

23

0



R/W-0000 0000 0000 0000 0000 0000

LEGEND: R/W = Read/Write; R = Read only; -n = value after reset

Table 11-7. 24-bit Output Compare Channel 1 Data Register (T24CMPDAT1) Register Field Descriptions

Bit	Field	Type	Reset	Description
23-01	CMP_DAT	R/W	0000 0000 0000 0000 0000 0000	Contains the 24-bit output comparison value

11.21.8 24-bit Output Compare Channel 0 Control Register (T24CMPCTRL0)

Address FFF7FD2C

Figure 11-11. 24-bit Output Compare Channel 0 Control Register (T24CMPCTRL0)

1	0
CMP_INT_ENA	CMP_INT_FLAG
R/W-0	R/W-0

LEGEND: R/W = Read/Write; R = Read only; -n = value after reset

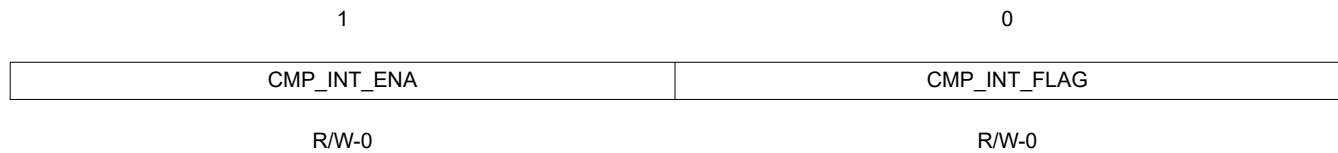
Table 11-8. 24-bit Output Compare Channel 0 Control Register (T24CMPCTRL0) Register Field Descriptions

Bit	Field	Type	Reset	Description
1	CMP_INT_ENA	R/W	0	Output Compare Channel Interrupt 0 = Disables Output Compare Channel Interrupt (Default) 1 = Enables Output Compare Channel Interrupt
0	CMP_INT_FLAG	R/W	0	Indicates a valid output compare event. Bit can be cleared by writing a '1' to the bit or by rewriting the 24-bit Output Compare Channel Data Register. If a clear and compare event occur at the same time, the flag will remain high (set has priority versus clear). 0 = No compare event since last clear 1 = Compare event since last clear

11.21.9 24-bit Output Compare Channel 1 Control Register (T24CMPCTRL1)

Address FFF7FD30

Figure 11-12. 24-bit Output Compare Channel 1 Control Register (T24CMPCTRL1)



LEGEND: R/W = Read/Write; R = Read only; -n = value after reset

Table 11-9. 24-bit Output Compare Channel 1 Control Register (T24CMPCTRL1) Register Field Descriptions

Bit	Field	Type	Reset	Description
1	CMP_INT_ENA	R/W	0	Output Compare Channel Interrupt 0 = Disables Output Compare Channel Interrupt (Default) 1 = Enables Output Compare Channel Interrupt
0	CMP_INT_FLAG	R/W	0	Indicates a valid output compare event. Bit can be cleared by writing a '1' to the bit or by rewriting the 24-bit Output Compare Channel Data Register. If a clear and compare event occur at the same time, the flag will remain high (set has priority versus clear). 0 = No compare event since last clear 1 = Compare event since last clear

11.21.10 PWMx Counter Data Register (T16PWMxCNTDAT)

Address FFF7FD34 – 16-bit PWM0 Counter Data Register

Address FFF7FD58 – 16-bit PWM1 Counter Data Register

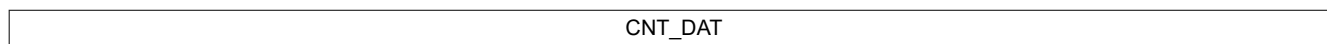
Address FFF7FD6C – 16-bit PWM2 Counter Data Register

Address FFF7FD80 – 16-bit PWM3 Counter Data Register

Figure 11-13. PWMx Counter Data Register (T16PWMxCNTDAT)

15

0



R-0

LEGEND: R/W = Read/Write; R = Read only; -n = value after reset

Table 11-10. PWMx Counter Data Register (T16PWMxCNTDAT) Register Field Descriptions

Bit	Field	Type	Reset	Description
15-0	CNT_DAT	R	0	Contains the 16-bit counter value. Read-only.

11.21.11 PWMx Counter Control Register (T16PWMxCNTCTRL)

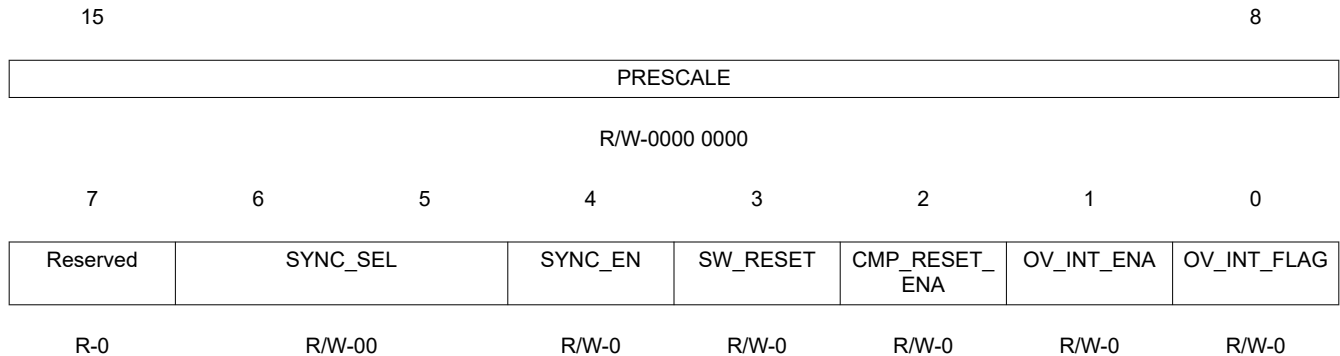
Address FFF7FD38 – 16-bit PWM0 Counter Control Register

Address FFF7FD5C – 16-bit PWM1 Counter Control Register

Address FFF7FD70 – 16-bit PWM2 Counter Control Register

Address FFF7FD84 – 16-bit PWM3 Counter Control Register

Figure 11-14. PWMx Counter Control Register (T16PWMxCNTCTRL)



LEGEND: R/W = Read/Write; R = Read only; -n = value after reset

Table 11-11. PWMx Counter Control Register (T16PWMxCNTCTRL) Register Field Descriptions

Bit	Field	Type	Reset	Description
15-8	PRESCALE	R/W	0000 0000	Defines the prescaler value to select the PWM counter resolution. Counter Resolution = (Prescaler + 1) * 1/ICLK
7	Reserved	R	0	
6-5	SYNC_SEL	R/W	00	Configures master PWM counter 0 = PWM0 Counter (Default) 1 = PWM1 Counter 2 = PWM2 Counter 3 = PWM3 Counter
4	SYNC_EN	R/W	0	PWM counter starts when master PWM counter is enabled 0 = PWM counter independent of other PWM counters (Default) 1 = PWM counter controlled by Master PWM counter
3	SW_RESET	R/W	0	PWM counter reset by software. This bit is cleared after reset and has to be set to run the PWM counter. 0 = PWM counter reset and counter stop (Default) 1 = PWM counter is running
2	CMP_RESET_ENA	R/W	0	Enables PWM counter reset by compare action of T16CMPxDR. 0 = Disable PWM counter reset by compare action (Default) 1 = Enable PWM counter reset by compare action
1	OV_INT_ENA	R/W	0	PWM Counter Overflow Interrupt Enable 0 = Disable PWM counter overflow interrupt (Default) 1 = Enable PWM counter overflow interrupt
0	OV_INT_FLAG	R/W	0	Flag which indicates a PWM counter overflow. This bit is cleared by writing '1' to it. If a clear and an overflow event occur at the same time, the flag will remain high (set has priority versus clear). 0 = No PWM counter overflow since last clear 1 = PWM counter overflow since last clear

11.21.12 PWMx 16-bit Compare Channel 0-1 Data Register (T16PWMxCMPyDAT)

Address FFF7FD3C – 16-bit PWM0 Compare Channel 0 Data Register

Address FFF7FD40 – 16-bit PWM0 Compare Channel 1 Data Register

Address FFF7FD60 – 16-bit PWM1 Compare Channel 0 Data Register

Address FFF7FD64 – 16-bit PWM1 Compare Channel 1 Data Register

Address FFF7FD74 – 16-bit PWM2 Compare Channel 0 Data Register

Address FFF7FD78 – 16-bit PWM2 Compare Channel 1 Data Register

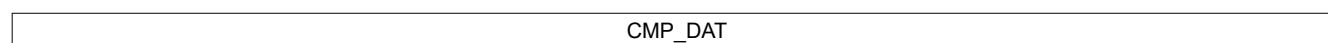
Address FFF7FD88 – 16-bit PWM3 Compare Channel 0 Data Register

Address FFF7FD8C – 16-bit PWM3 Compare Channel 1 Data Register

Figure 11-15. PWMx 16-bit Compare Channel 0-1 Data Register (T16PWMxCMPyDAT)

15

0



R/W-0000 0000 0000 0000

LEGEND: R/W = Read/Write; R = Read only; -n = value after reset

Table 11-12. PWMx 16-bit Compare Channel 0-1 Data Register (T16PWMxCMPyDAT) Register Field Descriptions

Bit	Field	Type	Reset	Description
15-0	CMP_DAT	R/W	0000 0000 0000 0000	Contains the 16-bit compare value. When in PWM mode, the value in the T16PWMxCMPyDAT is loaded after a match with the PWMx Counter Data Register. When in OC mode, it has to be written by the CPU. The mode is controlled by the bit SHADOW in the PWMx/Dual Compare Control Register. If both Registers T16PWMxCMP0DAT and T16PWMxCMP1DAT contain the same value, the interrupt and pin behavior is controlled by output compare channel 0 (T16PWMxCMP0DAT has priority over T16PWMxCMP1DAT).

11.21.13 PWMx Compare Control Register (T16PWMxCMPCTRL)

Address FFF7FD44 – 16-bit PWM0 Compare Control Register

Address FFF7FD68 – 16-bit PWM1 Compare Control Register

Address FFF7FD7C – 16-bit PWM2 Compare Control Register

Address FFF7FD90 – 16-bit PWM3 Compare Control Register

Note – Bits indicated with a * are only available for 16 bit timers which have an external pin associated with them. On the UCD3138 and most family members, this is only PWM0 and PWM1. On the UCD3138128 and UCD3138A64 80 pin devices, all 4 timers have an external pin.

Figure 11-16. PWMx Compare Control Register (T16PWMxCMPCTRL)

12	11	10	9	8
SHADOW	*PWM_IN	*PWM_OUT	*PWM_OUT_ENA	PWM_OUT_DRV
R/W-0	R-0	R/W-0	R/W-0	R/W-0
7	6	5	4	3
2	1	0		
PWM_OUT_ACTION1	PWM_OUT_ACTION0	CMP1_INT_ENA	CMP1_INT_FLAG	CMP0_INT_ENA
R/W-00	R/W-00	R/W-0	R/W-0	R/W-0

LEGEND: R/W = Read/Write; R = Read only; -n = value after reset

Table 11-13. PWMx Compare Control Register (T16PWMxCMPCTRL) Register Field Descriptions

Bit	Field	Type	Reset	Description
12	SHADOW	R/W	0	Controls the update of the 16-bit output compare Registers. 0 = PWM output compare Registers immediately written (Default) 1 = PWM output compare Registers updated through the buffers T16PWMxCMPyDAT after a match occurs in the corresponding Register T16PWMxCMPyDAT.
11	*PWM_IN	R	0	Input value of PWM pin when configured in PWM mode 0 = Logic level low detected on PWM pin 1 = Logic level high detected on PWM pin
10	*PWM_OUT	R/W	0	Data to be written into the output latch when PWM_OUT_DRV is high. 0 = Output latch is cleared when PWM_OUT_DRV=1 (Default) 1 = Output latch is set when PWM_OUT_DRV=1
9	*PWM_OUT_ENA	R/W	0	FAN-PWM pin configuration 0 = FAN-PWM configured as an input pin (Default) 1 = FAN-PWM configured as an output pin
8	*PWM_OUT_DRV	R/W	0	Causes the value of the bit PWM_OUT to be written into the output latch. So it is possible to preload the output latch or to use the pin as GPIO. The compare action has priority before the preload function. This bit is always read as '0'. 0 = Output latch not affected by the value of PWM_OUT (Default) 1 = Value of OUT written into the output latch

**Table 11-13. PWMx Compare Control Register (T16PWMxCMPCTRL) Register Field Descriptions
(continued)**

Bit	Field	Type	Reset	Description
7-6	PWM_OUT_ACTIO N1	R/W	00	These 2 bits select the output action when a compare equal is detected on T16CMP1DAT 00 = No action (Default) 01 = Set pin 10 = Clear pin 11 = Toggle pin
5-4	PWM_OUT_ACTIO N0	R/W	00	Selects the output action when a compare equal is detected on T16CMP0DAT. 00 = No action (Default) 01 = Set pin 10 = Clear pin 11 = Toggle pin
3	CMP1_INT_ENA	R/W	0	Compare 1 Interrupt Enable 0 = Disables Compare 1 Interrupt (Default) 1 = Enables Compare 1 Interrupt
2	CMP1_INT_FLAG	R/W	0	Flag which indicates a valid output compare 1 event. This bit is cleared by writing '1' to this bit or by rewriting T16PWMxCMP1DAT. If a clear and a compare event occurs at the same time, the flag will remain high (set has priority versus write clear). 0 = No compare event since last clear 1 = Compare event since last clear
1	CMP0_INT_ENA	R/W	0	Compare 0 Interrupt Enable 0 = Disables Compare 0 Interrupt (Default) 1 = Enables Compare 0 Interrupt
0	CMP0_INT_FLAG	R/W	0	Flag which indicates a valid output compare 1 event. This bit is cleared by writing '1' to this bit or by rewriting T16PWMxCMP0DAT. If a clear and a compare event occurs at the same time, the flag will remain high (set has priority versus write clear). 0 = No compare event since last clear 1 = Compare event since last clear

11.21.14 Watchdog Status (WDST)

Address FFF7FD94

Figure 11-17. Watchdog Status (WDST)

3	2	1	0
WAKE_EV_RAW	WD_EV_RAW	WAKE_EV_INT	WD_EV_INT
R-0	R-0	R-0	R-0

LEGEND: R/W = Read/Write; R = Read only; -n = value after reset

Table 11-14. Watchdog Status (WDST) Register Field Descriptions

Bit	Field	Type	Reset	Description
3	WAKE_EV_RAW	R	0	Watchdog Wake Event Raw Status 0 = Watchdog Timer has not reached ½ of terminal count 1 = Watchdog Timer has reached ½ of terminal count
2	WD_EV_RAW	R	0	Watchdog Event Raw Status 0 = Watchdog Timer has not reached terminal count 1 = Watchdog Timer has reached terminal count
1	WAKE_EV_INT	R	0	Watchdog Wake Event Interrupt Status, cleared on read of Watchdog Status Register 0 = Watchdog Timer has not reached ½ of terminal count 1 = Watchdog Timer has reached ½ of terminal count
0	WD_EV_INT	R	0	Watchdog Event Interrupt Status, cleared on read of Watchdog Status Register 0 = Watchdog Timer has not reached terminal count 1 = Watchdog Timer has reached terminal count

11.21.15 Watchdog Control (WDCTRL)

Address FFF7FD98

Figure 11-18. Watchdog Control (WDCTRL)

14	8	7	6	5	4	3	2	1	0
PERIOD	Reserv ed	PROTE CT	CPU_R ESET_ EN	WDRS T_INT_ EN	WKEV_ INT_EN	WKEV_ EN	WDRS T_EN	CNT_R ESET	
R/W-1111 1111	R-0	R/W-1	R/W-0	R/W-0	R/W-0	R/W-0	R/W-0	R/W-0	R/W-1

LEGEND: R/W = Read/Write; R = Read only; -n = value after reset

Table 11-15. Watchdog Control (WDCTRL) Register Field Descriptions

Bit	Field	Type	Reset	Description
14-8	PERIOD	R/W	1111 1111	Configures the time for the watchdog reset. H'7F ~ 2.2s typical (1.85 min to 2.6 max seconds)(Default) H'00 ~ 17mstypical (14.5 min to 20.1 max milliseconds)
7	Reserved	R	0	
6	PROTECT	R/W	1	Watchdog Protect Bit, Active Low 0 = Watchdog enable bits are protected, only can be cleared by POR. CPU_RESET_ENA (Bit 5), WDRST_ENA (Bit 2) and WKEV_ENA (Bit 1) are automatically set high when PROTECT is written low. 1 = Watchdog enable bits can be set by processor (Default)
5	CPU_RESET_EN	R/W	0	Enables Watchdog Reset Event to reset the CPU 0 = Watchdog Reset does not reset CPU (Default) 1 = Watchdog Reset resets CPU and peripherals
4	WDRST_INT_EN	R/W	0	Watchdog Reset Event Interrupt Enable 0 = Disables generation of Watchdog Reset Interrupt (Default) 1 = Enables generation of Watchdog Reset Interrupt
3	WKEV_INT_EN	R/W	0	Watchdog Wake Event Interrupt Enable 0 = Disables generation of Watchdog Wake Event Interrupt (Default) 1 = Enables generation of Watchdog Wake Event Interrupt
2	WKEV_EN	R/W	0	Watchdog Wake Event Comparator Enable 0 = Disables Watchdog Wake Event Comparator (Default) 1 = Enables Watchdog Wake Event Comparator
1	WDRST_EN	R/W	0	Watchdog Reset Event Comparator Enable 0 = Disables Watchdog Reset Event Comparator (Default) 1 = Enables Watchdog Reset Event Comparator
0	CNT_RESET	R/W	1	This bit resets the watchdog counters. This bit self clears and if the enables are set, the counters restart counting. 0 = Watchdog counters enabled (Default) 1 = Watchdog counters reset



UCD3138 has two UART modules capable of independently communicating toward two separate peers. Having more than one UART module is also especially useful for power supplies that need to communicate with an isolated section (eg. with the digital PFC controller, or a Power Metering ASIC in offline AC/DC power supplies) through opto-isolators.

While one UART module is serving communication needs over an isolation barrier, the other UART may be used for communicating with a HOST or serve debugging needs.

This section provides an overview of these UART modules. Table below contains a brief description of the UART, lists its significant pins and described interrupts.

Description	The UART module is a universal asynchronous receiver-transmitter that implements the standard non-return to zero format. The UART module can be used to communicate, for example, through an RS-232 port or over a K-line.
Pins	SCI_Rx UART receive pin SCI_Tx UART transmit pin
Interrupts	The UART has three interrupts: transmit, receive, and error. Each interrupt can be individually enabled.
Features	<ul style="list-style-type: none"> • Standard universal asynchronous receiver-transmitter (UART) communication • Supports full- or half-duplex operation • Standard nonreturn to zero (NRZ) format • Double-buffered receive and transmit functions • Configurable frame format of 3 to 13 bits per character based on the following: • Data word length programmable from one to eight bits • Parity programmable for zero or one parity bit, odd or even parity • Stop programmable for one or two stop bits • The 24-bit programmable baud rate supports 224 different baud rates provide high accuracy baud rate selection • Four error flags and six status flags provide detailed information regarding UART events

12.1 UART Frame Format	440
12.2 Asynchronous Timing Mode	440
12.3 UART Interrupts	442
12.4 Transmit Interrupt	443
12.5 Receive Interrupt	443
12.6 Error Interrupts	443
12.7 UART Registers Reference	445

12.1 UART Frame Format

The UART uses a programmable frame format. All frames consist of the following:

- One start bit
- One to eight data bits
- Zero or one parity bit
- One or two stop bits

The frame format for both the transmitter and receiver is programmable through the bits in the UARTCTRL0 register. Both receive and transmit data is in non-return to zero (NRZ) format, which means that the transmit and receive lines are at logic high when idle.

Each frame transmission begins with a start bit, in which the transmitter pulls the SCI line low (logic low). Following the start bit, the frame data is sent and received least significant bit first (LSB).

A parity bit is present in every frame when the PARITY ENA bit (UARTCTRL0.5) is set. The value of the parity bit depends on the number of one bits in the frame and whether odd or even parity has been selected via the PARITY bit (UARTCTRL0.6).

All frames include one stop bit, which is always a high level. This high level at the end of each frame is used to indicate the end of a frame to ensure synchronization between communicating devices. Two stop bits are transmitted if the STOP bit (UARTCTRL0.7) is set. The example shown in Figure below uses one stop bit per frame.



Figure 12-1.

12.2 Asynchronous Timing Mode

Asynchronous timing mode is the only mode supported in UCD3138. In the asynchronous timing mode, each bit in a frame has a duration of 8 UART baud clock periods. Each bit therefore consists of 8 samples (one for each clock period).

When the UART is using asynchronous mode, the baud rates of all communicating devices must match as closely as possible. Receive errors result from devices communicating at different baud rates.

With the receiver in the asynchronous timing mode, the UART detects a valid start bit if the first four samples after a falling edge on the SCI_RX pin are of logic level 0. As soon as a falling edge is detected on SCI_RX, the UART assumes that a frame is being received and synchronizes itself to the bus.

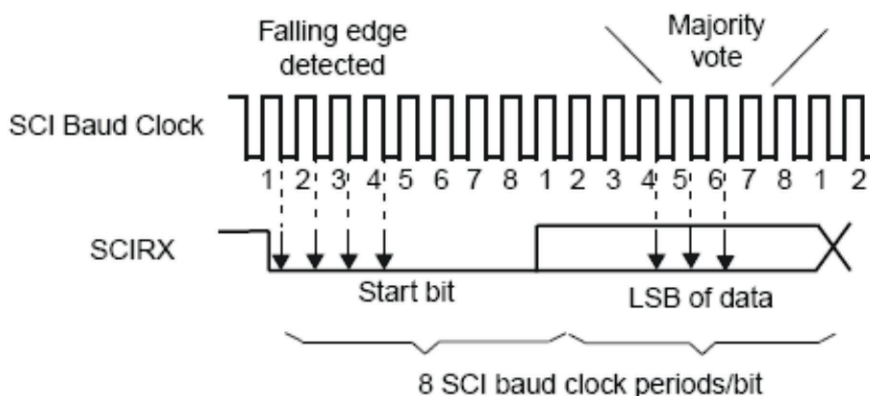
The UART module has been designed to provide some protection from noise causing unintended start bits or incorrect data. Without protection, a noise spike that brings an idle receive line low may be interpreted as a start bit.

The UART prevents this by requiring a start bit to bring the SCI_RX line low for at least four contiguous UART baud clock periods. If any of the receive samples during the first four UART baud clock periods is not a logic low, then the UART does not consider this a start bit and considers the receive line idle.

When another falling edge is detected, the UART checks for a valid, noise-free start bit. When a valid start bit is detected, the UART determines the value of each bit by sampling the SCI_RX line value during the fourth, fifth, and sixth UART baud clock periods. A majority vote of these samples is used to determine the value stored in the UART receiver shift register.

By sampling in the middle of the bit, the UART reduces errors caused by propagation delays and rise and fall times. By taking a majority vote, the UART reduces the likelihood of data corruption caused by data line noise. [Figure 12-2](#) illustrates how the receiver samples a start bit and a data bit in asynchronous timing mode.

- The transmitter transmits each bit for a duration of 8 UART baud clock periods.
- During the first clock period for a bit, the transmitter shifts the value of that bit onto the SCI_TX pin.
- The transmitter then holds the current bit value on SCI_TX for 8 UART baud clock periods.


Figure 12-2.
Baud rate setting example:

$$\text{Baud rate register setting} = (F_{\text{iclk}} / (8 * \text{Baud rate})) - 1 \quad (6)$$

Example: For baud rate of 38400 bps, Baud rate register setting = $(15.625 \text{ MHz} / (8 * 38400)) - 1 = 50$

Desired Baud Rate	UARTBBAUD	UARTMBAUD	UARTLBAUD
110	0	69	91
300	0	25	109
1200	0	6	91
2400	0	3	45
4800	0	1	150
9600	0	0	202
19200	0	0	101
38400	0	0	50
57600	0	0	33
115200	0	0	16
230400	0	0	7
460800	0	0	3
921600	0	0	1

12.3 UART Interrupts

The UART receiver and transmitter can be controlled by interrupts. The receive and transmit interrupts allow efficient operation of the UART by reading and writing character information to and from the UART as new data arrives and when old data has just been sent.

The RXRDY flag (UARTRXST.2) used by the receiver indicates that new data is available to be read.

The receiver also has various error interrupts that indicate when a particular error condition is active. An active error interrupt condition is indicated by the RXERR flag in UARTRXST.

However, the exact source of an error interrupt can be determined by checking the parity error (PE), frame error (FE), overrun error (OE), break-detect (BRKDT), and wake-up (WAKEUP) flags also located in UARTRXST.

Additionally, the transmitter uses the TXRDY flag (UARTTXST.2) to indicate that the transmitter is ready for new data to be written that will be sent to the bus.

Transmit, receive, and error interrupts are enabled or disabled through separate interrupt-enable bits. When not enabled, the interrupts are not asserted; however, polled operation of the UART is still possible because the interrupt flags continue to indicate module events.

The UART module generates three interrupt requests to the UCD3138 system module: one each for transmitter, receiver, and error interrupts. Each of these interrupts must also be configured in the UCD3138 system module before operation.

Normally, the error interrupt has the highest priority, the receiver interrupt has the next highest priority, and the transmitter generally has the lowest priority.

This prioritizing scheme reduces the possibility of missed error conditions and receiver overrun. For interrupt priority levels on a specific device, consult the UCD3138 device datasheet.

12.4 Transmit Interrupt

This section describes how a CPU interrupt can be initiated by a transmit ready condition.

The transmit ready (TXRDY) flag is set when the UART transfers the contents of UARTTXBUF to the shift register, UARTTXSHF. The TXRDY flag indicates that UARTTXBUF is ready to be loaded with more data.

In addition, the UART sets the TX EMPTY bit if both the UARTTXBUF and UARTTXSHF registers are empty.

Transmit interrupts are enabled by the **TX_INT_ENA** (UARTCTRL3.3) bit. If the **TX_INT_ENA** bit (UARTCTRL3.3) is set, then a transmit interrupt is generated when the TXRDY flag goes high.

Writing data to the UARTTXBUF register clears the TXRDY bit. When this data has been moved to the UARTTXSHF register, the TXRDY bit is set again.

The interrupt request can be suspended by clearing the **TX_INT_ENA** bit; however, when the **TX_INT_ENA** bit is again set to 1, the TXRDY interrupt is asserted again.

The transmit interrupt request can be eliminated until the next series of values is written to UARTTXBUF by disabling the transmitter via the TXENA bit (UARTTXST.0 = 0), an UART software reset, or by a device hardware reset.

12.5 Receive Interrupt

The receive ready (RXRDY) flag is set when the UART transfers newly received data from SCIRXSHF to UARTRXBUF.

The RXRDY flag therefore indicates that the UART has new data to be read. Receive interrupts are enabled by the **RX_INT_ENA** bit.

If the **RX_INT_ENA** bit (UARTCTRL3.4) is set when the UART sets the RXRDY flag, then a receive interrupt is generated.

12.6 Error Interrupts

The UCD3138's UART module provides hardware indication of error conditions to provide information about the status of module operation. According to the data being assembled by the receiver, the UART monitors the data received for errors and sets the parity error (PE), framing error (FE), and/or the break-detect (BRKDT) flag when these conditions are detected.

In addition, the UART sets the overrun error (OE) flag if a transfer of new data from UARTRXSHF to UARTRXBUF overwrites unread data in UARTRXBUF. (If both overrun and parity errors occur, only the overrun error flag is set.)

The UART sets the wake-up flag (WAKEUP) if bus activity on the RX line either prevents power-down mode from being entered, or RX line activity causes an exit from power-down mode. Each of these flags is located in the receiver status (UARTRXST) register.

The RXERR flag, also in the UARTRXST register, is the logical OR of the parity error, framing error, overrun error, wake-up, and break-detect flags.

This UART Data Transfer feature allows software that is polling for receiver errors to check only one bit, which will indicate if any or all of the five error conditions are active.

Error interrupts are controlled by three separate enable bits: RXERR_INT_ENA, BRKDT_INT_ENA, and WAKEUP_INT_ENA.

If RXERR_INT_ENA (UARTCTRL3.0) is set, an error interrupt is generated when the receiver detects either a parity, framing, or overrun error. The break-detect interrupt is enabled separately.

If BRKDT_INT_ENA (UARTCTRL3.1) is set, an error interrupt is generated if the receiver detects a break condition. A break condition occurs when the SCI_RX line remains continuously low (active) for at least 10 bits immediately following a missed stop bit.

If WAKEUP_INT_ENA (UARTCTRL3.2) is set, an error interrupt is generated when bus activity on the RX line either prevents power-down mode from being entered or RX line activity causes an exit from power-down mode.

12.7 UART Registers Reference

12.7.1 UART Control Register 0 (UARTCTRL0)

Address FFF7EC00 – UART 0 Control Register 0

Address FFF7EC00 – UART 1 Control Register 0

Figure 12-3. UART Control Register 0 (UARTCTRL0)

7	6	5	4	3	2	0
STOP	PARITY	PARITY_ENA	SYNC_MODE	ADDR_MODE	DATA_SIZE	
R/W-0	R/W-0	R/W-0	R/W-0	R/W-0	R/W-000	

LEGEND: R/W = Read/Write; R = Read only; -n = value after reset

Table 12-1. UART Control Register 0 (UARTCTRL0) Register Field Descriptions

Bit	Field	Type	Reset	Description
7	STOP	R/W	0	Configures stop bits for each frame 0 = One STOP bit included in each frame (Default) 1 = Two STOP bits included in each frame
6	PARITY	R/W	0	Sets odd or even parity 0 = Even parity (Default) 1 = Odd parity
5	PARITY_ENA	R/W	0	Enables parity transmission 0 = No parity bit included in each frame (Default) 1 = One parity bit included in each frame
4	SYNC_MODE	R/W	0	Selects between Synchronous mode and Asynchronous mode 0 = Synchronous (Not supported in UCD3138, set this bit always to one) 1 = Asynchronous
3	ADDR_MODE	R/W	0	Selects between Idle and Address Bit Mode 0 = IDLE Line mode with no Address bit (Default) 1 = Address Bit mode with one Address bit
2-0	DATA_SIZE	R/W	000	Determines the TX and RX byte size 000 = 1 bit of data (Default) 001 = 2 bit of data 010 = 3 bits of data 011 = 4 bits of data 100 = 5 bits of data 101 = 6 bits of data 110 = 7 bits of data 111 = 8 bits of data

12.7.2 UART Receive Status Register (UARTRXST)

Address FFF7EC04 – UART 0 Receive Status Register

Address FFF7EC04 – UART 1 Receive Status Register

Figure 12-4. UART Receive Status Register (UARTRXST)

4	3	2	1	0
RX_IDLE	SLEEP	RX_RDY	RX_WAKE	RX_ENA
R-0	R/W-0	R-0	R-0	R/W-0

LEGEND: R/W = Read/Write; R = Read only; -n = value after reset

Table 12-2. UART Receive Status Register (UARTRXST) Register Field Descriptions

Bit	Field	Type	Reset	Description
4	RX_IDLE	R	0	RX Idle status bit 0 = Not in Rx Idle State 1 = Rx Idle detected
3	SLEEP	R/W	0	Sleep Mode Configuration 0 = Sleep Mode disabled (Default) 1 = Sleep Mode enabled
2	RX_RDY	R	0	UART Receiver ready status bit 0 = UART Receiver not ready 1 = UART Receiver ready
1	RX_WAKE	R	0	UART Receiver wake status bit 0 = UART Receiver has not entered wakeup state 1 = UART Receiver has entered wakeup state
0	RX_ENA	R/W	0	Turns on UART Receiver 0 = UART Receiver disabled (Default) 1 = UART Receiver enabled

12.7.3 UART Transmit Status Register (UARTTXST)

Address FFF7EC08 – UART 0 Transmit Status Register

Address FFF7EC08 – UART 1 Transmit Status Register

Figure 12-5. UART Transmit Status Register (UARTTXST)

7	6	5	4	3	2	1	0
CONTINUE	LOOPBACK	Reserved		TX_EMPTY	TX_RDY	TX_WAKE	TX_ENA
R/W-0	R/W-0	R-00		R-0	R-0	R/W-0	R/W-0

LEGEND: R/W = Read/Write; R = Read only; -n = value after reset

Table 12-3. UART Transmit Status Register (UARTTXST) Register Field Descriptions

Bit	Field	Type	Reset	Description
7	CONTINUE	R/W	0	Configure operation in suspend mode 0 = Stop transmitting on suspend (Default) 1 = Continue transmitting after initiation of suspend
6	LOOPBACK	R/W	0	Loopback Mode Configuration 0 = Normal mode (Default) 1 = Loopback Mode
5-4	Reserved	R	00	
3	TX_EMPTY	R	0	Transmit buffer status 0 = Transmit buffer is not empty 1 = Transmit buffer is empty
2	TX_RDY	R	0	Transmitter Ready 0 = UART Transmitter is not ready 1 = UART Transmitter is ready to transmit data
1	TX_WAKE	R/W	0	TX wake control bit 0 = UART Transmitter Wakeup disabled (Default) 1 = UART Transmitter Wakeup enabled
0	TX_ENA	R/W	0	Turns on TX module 0 = UART Transmitter Disabled (Default) 1 = UART Transmitter Enabled

12.7.4 UART Control Register 3 (UARTCTRL3)

Address FFF7EC0C – UART 0 Control Register 3

Address FFF7ED0C – UART 1 Control Register 3

Figure 12-6. UART Control Register 3 (UARTCTRL3)

7	6	5	4	3	2	1	0
SW_RESET	POWERDOWN	CLOCK	RX_INT_ENA	TX_INT_ENA	WAKEUP_INT_ENA	BRKDT_INT_ENA	ERR_INT_ENA
R/W-0	R/W-0	R/W-0	R/W-0	R/W-0	R/W-0	R/W-0	R/W-0

LEGEND: R/W = Read/Write; R = Read only; -n = value after reset

Table 12-4. UART Control Register 3 (UARTCTRL3) Register Field Descriptions

Bit	Field	Type	Reset	Description
7	SW_RESET	R/W	0	Software reset for UART Transmitter/Receiver 0 = Disables Software Reset (Default) 1 = Enables Software Reset
6	POWERDOWN	R/W	0	Power-down Transmitter/Receiver Control 0 = Disables Power-down mode (Default) 1 = Enables Power-down mode
5	CLOCK	R/W	0	UART Clock Select 0 = Selects external clock (Default) 1 = Selects internal clock
4	RX_INT_ENA	R/W	0	Enables the interrupts from UART Receiver 0 = Disables interrupts from UART Receiver (Default) 1 = Enables interrupts from UART Receiver
3	TX_INT_ENA	R/W	0	Enables the interrupts from UART Transmitter 0 = Disables interrupts from UART Transmitter (Default) 1 = Enables interrupts from UART Transmitter
2	WAKEUP_INT_ENA	R/W	0	Enables the wakeup interrupt from UART 0 = Disables Wakeup Interrupt (Default) 1 = Enables Wakeup Interrupt
1	BRKDT_INT_ENA	R/W	0	Enables the Broken Circuit interrupt from UART Receiver 0 = Disables Broken Circuit Interrupt (Default) 1 = Enables Broken Circuit Interrupt
0	ERR_INT_ENA	R/W	0	Enables UART Receiver Error Interrupt 0 = Disables UART Receiver Error Interrupt (Default) 1 = Enables UART Receiver Error Interrupt

12.7.5 UART Interrupt Status Register (UARTINTST)

Address FFF7EC10 – UART 0 Interrupt Status Register

Address FFF7ED10 – UART 1 Interrupt Status Register

Figure 12-7. UART Interrupt Status Register (UARTINTST)

7	6	5	4	3	2	1	0
BUS_BUSY	Reserved	FRAME_ERR	OVERRUN_ERR	PARITY_ERR	WAKEUP_INT	BRKDT_INT	RX_ERR
R-0	R-0	R/C-0	R/C-0	R/C-0	R/C-0	R/C-0	R-0

LEGEND: R/W = Read/Write; R = Read only; -n = value after reset

R/C- means that bit can be read or cleared; each of the bits except RXERR and BUS BUSY can be cleared by writing a 1 to the bit.

Table 12-5. UART Interrupt Status Register (UARTINTST) Register Field Descriptions

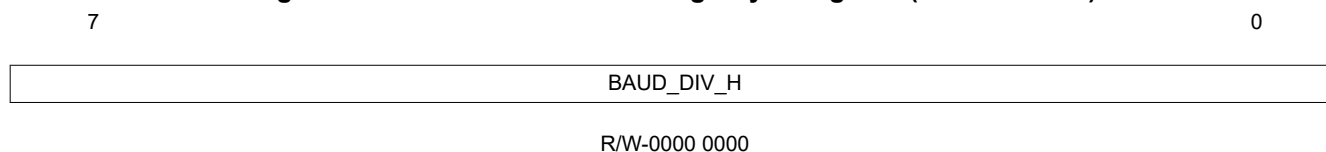
Bit	Field	Type	Reset	Description
7	BUS_BUSY	R	0	UART Receiver Busy Indicator 0 = UART Receiver ready to accept new frame 1 = UART Receiver currently processing message
6	Reserved	R	0	
5	FRAME_ERR	R/C	0	UART Receiver Framing Error 0 = No framing error found within incoming data message 1 = Indicates the incoming data message had a framing error
4	OVERRUN_ERR	R/C	0	UART Receiver Buffer Overflow 0 = No overflow condition found in receive buffer 1 = Indicates the receive buffer has overflowed
3	PARITY_ERR	R/C	0	UART Receiver Parity Error 0 = No parity error found on the incoming data message 1 = Indicates a parity error found on the incoming data message
2	WAKEUP_INT	R/C	0	UART Receiver Wakeup Interrupt 0 = No Wakeup Interrupt received from UART Receiver 1 = Wakeup Interrupt received from UART Receiver
1	BRKDT_INT	R/C	0	UART Receiver Broken Circuit Interrupt 0 = No Broken Circuit interrupt received from UART Receiver 1 = Indicates a Broken Circuit interrupt received from UART Receiver
0	RX_ERR	R	0	UART Receiver Error 0 = No UART Receiver Errors detected 1 = Frame Error or Overrun error or Parity Error or Broken Circuit error received from UART Receiver

12.7.6 UART Baud Divisor High Byte Register (UARTHBAUD)

Address FFF7EC14 – UART 0 Baud Divisor High Byte Register

Address FFF7ED14 – UART 1 Baud Divisor High Byte Register

Figure 12-8. UART Baud Divisor High Byte Register (UARTHBAUD)



LEGEND: R/W = Read/Write; R = Read only; -n = value after reset

Table 12-6. UART Baud Divisor High Byte Register (UARTHBAUD) Register Field Descriptions

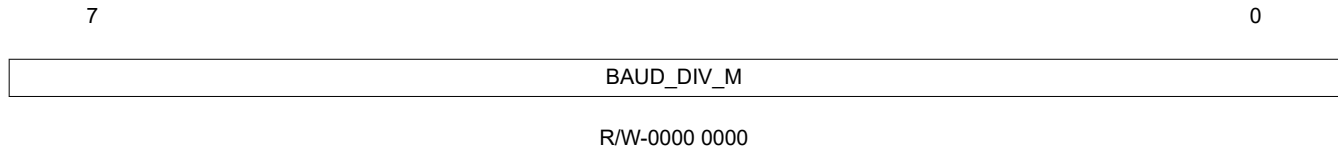
Bit	Field	Type	Reset	Description
7-0	BAUD_DIV_H	R/W	0000 0000	Sets the high byte of the 24 bit baud rate selector

12.7.7 UART Baud Divisor Middle Byte Register (UARTMBAUD)

Address FFF7EC18 – UART 0 Baud Divisor Middle Byte Register

Address FFF7ED18 – UART 1 Baud Divisor Middle Byte Register

Figure 12-9. UART Baud Divisor Middle Byte Register (UARTMBAUD)



LEGEND: R/W = Read/Write; R = Read only; -n = value after reset

Table 12-7. UART Baud Divisor Middle Byte Register (UARTMBAUD) Register Field Descriptions

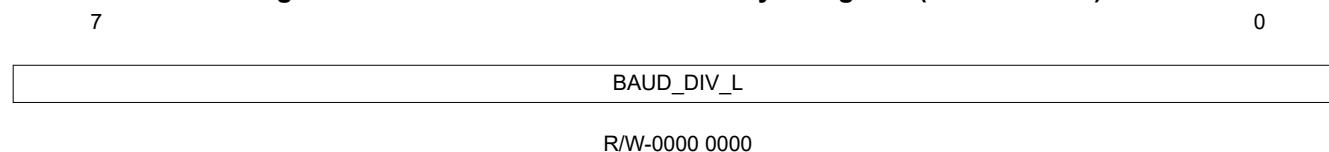
Bit	Field	Type	Reset	Description
7-0	BAUD_DIV_M	R/W	0000 0000	Sets the middle byte of the 24 bit baud rate selector

12.7.8 UART Baud Divisor Low Byte Register (UARTLBAUD)

Address FFF7EC1C – UART 0 Baud Divisor Low Byte Register

Address FFF7ED1C – UART 1 Baud Divisor Low Byte Register

Figure 12-10. UART Baud Divisor Low Byte Register (UARTLBAUD)



LEGEND: R/W = Read/Write; R = Read only; -n = value after reset

Table 12-8. UART Baud Divisor Low Byte Register (UARTLBAUD) Register Field Descriptions

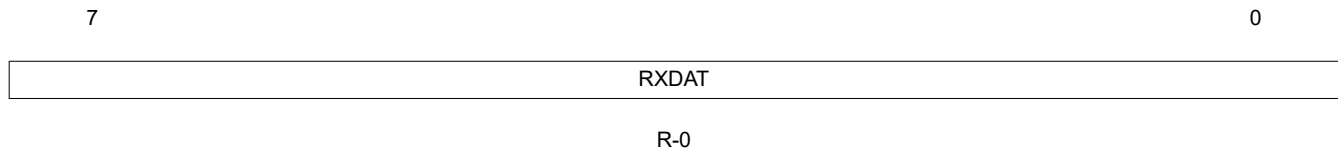
Bit	Field	Type	Reset	Description
7-0	BAUD_DIV_L	R/W	0000 0000	Sets the low byte of the 24 bit baud rate selector

12.7.9 UART Receive Buffer (UARTRXBUF)

Address FFF7EC24 – UART 0 Receive Buffer

Address FFF7ED24 – UART 1 Receive Buffer

Figure 12-11. UART Receive Buffer (UARTRXBUF)



LEGEND: R/W = Read/Write; R = Read only; -n = value after reset

Table 12-9. UART Receive Buffer (UARTRXBUF) Register Field Descriptions

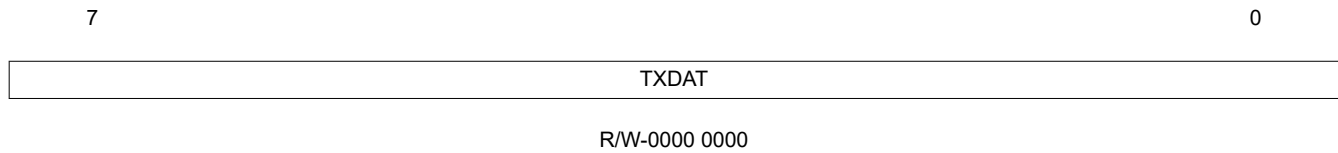
Bit	Field	Type	Reset	Description
7-0	RXDAT	R	0	Contains the last data byte received from the UART Receiver

12.7.10 UART Transmit Buffer (UARTTXBUF)

Address FFF7EC28 – UART 0 Transmit Buffer

Address FFF7ED28 – UART 1 Transmit Buffer

Figure 12-12. UART Transmit Buffer (UARTTXBUF)



LEGEND: R/W = Read/Write; R = Read only; -n = value after reset

Table 12-10. UART Transmit Buffer (UARTTXBUF) Register Field Descriptions

Bit	Field	Type	Reset	Description
7-0	TXDAT	R/W	0000 0000	Contains the data byte to be transmitted by the UART Transmitter

12.7.11 UART I/O Control Register (UARTIOCTRLSCLK, UARTIOCTRLRX, UARTIOCTRLTX)

Address FFF7EC2C – UART 0 I/O (SCLK) Control Register

Address FFF7ED2C – UART 1 I/O (SCLK) Control Register

Address FFF7EC30 – UART 0 I/O (RX) Control Register

Address FFF7ED30 – UART 1 I/O (RX) Control Register

Address FFF7EC34 – UART 0 I/O (TX) Control Register

Address FFF7ED34 – UART 1 I/O (TX) Control Register

Figure 12-13. UART I/O Control Register (UARTIOCTRLSCLK, UARTIOCTRLRX, UARTIOCTRLTX)

3	2	1	0
DATA_IN	DATA_OUT	IO_FUNC	IO_DIR
R-0	R/W-0	R/W-0	R/W-0

LEGEND: R/W = Read/Write; R = Read only; -n = value after reset

Table 12-11. UART I/O Control Register (UARTIOCTRLSCLK, UARTIOCTRLRX, UARTIOCTRLTX) Register Field Descriptions

Bit	Field	Type	Reset	Description
3	DATA_IN	R	0	Data received from pin when configured as GPIO
2	DATA_OUT	R/W	0	Data transmitted to pin when configured as GPIO
1	IO_FUNC	R/W	0	Selects the function for UART pins 0 = GPIO mode (Default) 1 = Normal UART operation
0	IO_DIR	R/W	0	Pin direction when configured as GPIO 0 = Input (Default) 1 = Output



The Boot ROM and the Boot Flash are key elements in the use of the UCD3138, which provide capability to examine, and modify memory and registers and download programs into the device. They also offer security for production programs.

CAUTION

Programming the checksum in the Flash without proper precautions can render the UCD3138 in state where it is not re-programmable any further. To avoid program flash lockout, see [Section 3.1.4](#).

13.1 Boot ROM Function	457
13.2 Memory Read Functionality	459
13.3 Read Version	461
13.4 Memory Write Functionality	461
13.5 Flash Functions	462
13.6 Checksum Functions	466
13.7 Trim Flash Checksum Verification	466
13.8 Boot ROM for the Other Members of the UCD3138 Family	467

13.1 Boot ROM Function

The Boot ROM performs several functions:

- initializes the UCD3138
- examines checksums for boot flash and program flash, and automatically executes either if the checksum is valid
- If the checksum is not valid, the Boot ROM will permit examination and modification of memory and peripherals.

13.1.1 Initializing UCD3138

The Boot ROM performs several initializations on the UCD3138. The most important one is memory map initialization. This is described in [Chapter 5](#) and [Chapter 6](#).

13.1.2 Verifying Checksums

In the UCD3138, the Boot ROM supports 2 checksums in the 32KB Program Flash:

- Boot Flash Checksum at 0x7fc-0x7ff (2KB)
- Program Flash Checksum at 0x7ffc to 0x7fff (32KB)

If either checksum is valid, the ROM will move the Program Flash to location 0, and jump to that location to start execution of the customer provided program in the Program Flash. The 32K checksum verification takes about 10 milliseconds to complete. The checksum is a simple additive checksum. Each byte in memory is treated as a positive 8 bit number and is added to the checksum. A 4 byte checksum is used, so no truncation occurs. Even if the entire memory is full of 0xff, the checksum value will only be 0x7F7C04. The checksum calculation includes all the bytes in the block except for the last 4, since the expected checksum is located there.

Before verifying the checksums, the Boot ROM first checks to see if there is a 0xEA in the first location. This represents a jump opcode. This is a jump to the start of the program. If there is not an EA, the Boot ROM doesn't check checksums, but goes straight to BOOT ROM communication mode with the PMBus.

This prevents the system from locking up if all of Program Flash is filled with 0.

13.1.3 Uses for 2 Different Checksums

The Program Flash Checksum at address 0x7FFC is used for cases where field upgradeability of the Program Flash is not desired, or where field upgradeability can be done with simple PMBus interface using the ROM. It is checked after reset to verify that there is a valid program in the flash before flash execution is started.

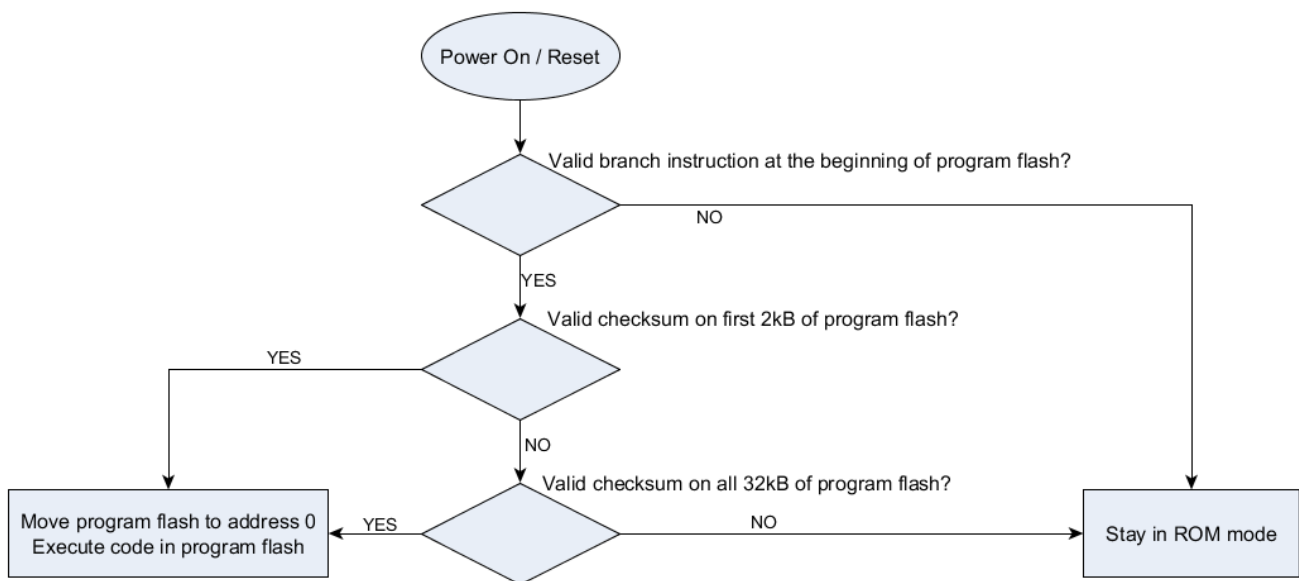


Figure 13-1. UCD3138 Boot ROM Execution After Power-On/Reset

The Boot Flash Checksum at address 0x07FC provides more sophisticated field upgradeability. It is useful for cases which require an upgrade:

- Via PMBus, but at a different PMBus address from the ROM's standard PMBus address
- Via a serial port
- With simple encryption for program security

All of these tasks can actually be accomplished with the Program Flash checksum as well – *so long as the upgrade is not interrupted*. If the upgrade is interrupted before it is complete, the Program Flash checksum will not be correct, and the Boot ROM will not pass control to the Program Flash.

With the Boot ROM, only the first 2K of the program flash must be correct. The customer program in the Boot Flash area has the responsibility for verifying the integrity of the other 30K of the Program Flash, which can contain the operating program for the power supply.

If the upgrade is interrupted, the Boot Flash area will still have a valid checksum, and the Boot Flash program must be written to recover and request a new download.

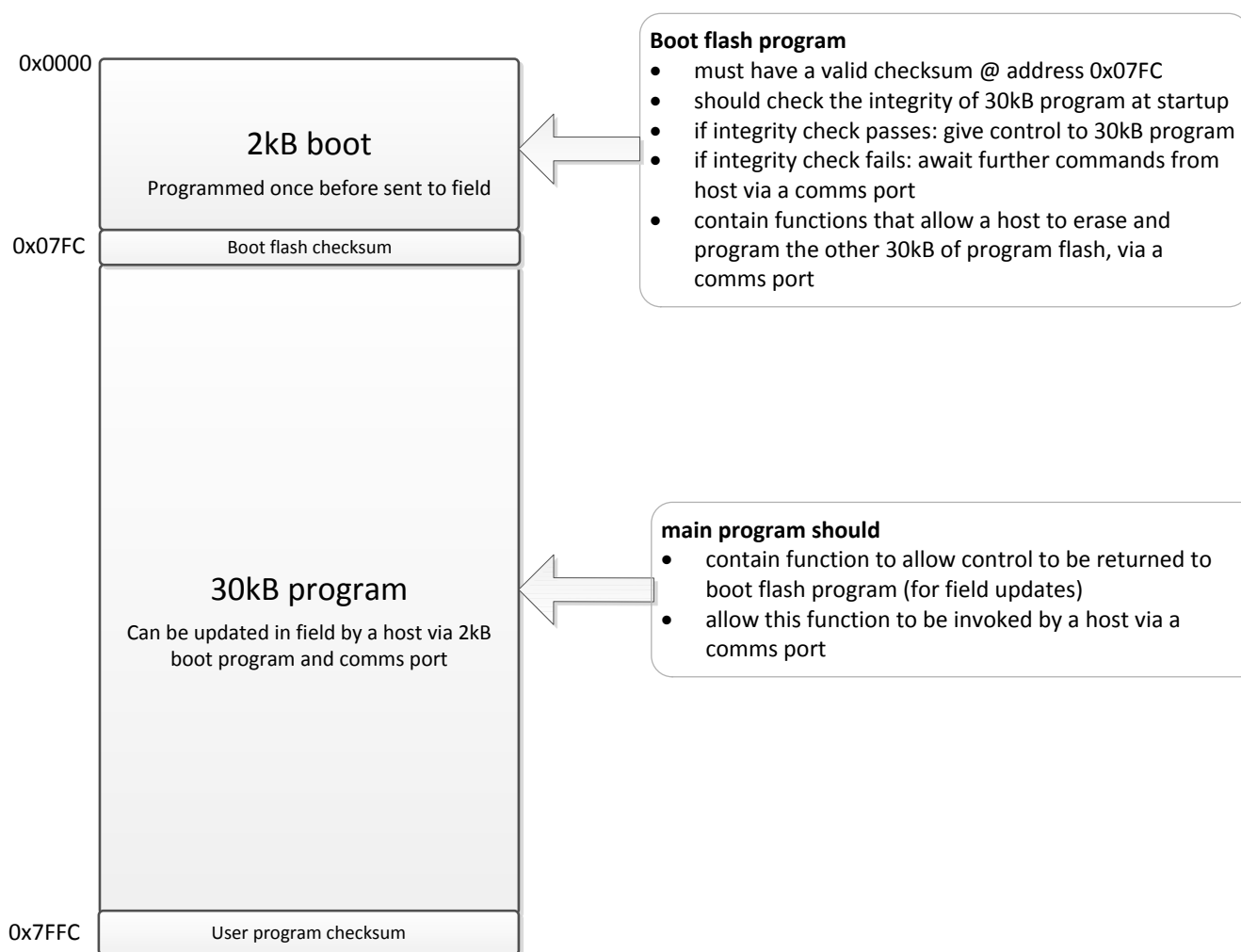


Figure 13-2. Boot Flash

Since the Boot Flash program is in Program Flash, the user of the chip is free to program it as desired.

13.1.4 Avoiding Program Flash Lockup

If either checksum is programmed correctly, the Boot ROM will turn control directly over to the Program Flash. This is necessary for product startup in production units. It also provides security for the program, because the Boot ROM cannot be used to read from the Program Flash.

Even in production programs a “backdoor” is often added to the program to enable clearing the checksum. This permits firmware update. Normally on production programs, clearing of the checksum is protected by a customer defined password. Or instead of clearing the checksum, the entire flash is cleared, preventing a third party from examining the program.

This approach works fine for production, since the backdoor is thoroughly tested before the production program is released.

In development, however, untested programs are often installed into the program flash. If the backdoor is not at the very beginning of the program, a program bug could prevent it from working. So there are 2 options to avoid Program Flash Lockup:

1. Include a simple checksum clearing function at the very start of the program
2. Don't program the checksum until the backdoor has been tested with this version of the program.

More detailed information is available in [Chapter 17](#).

13.1.5 Using BOOT ROM PMBus Interface

If the neither checksum matches, the Boot ROM retains control of the processor. The Boot ROM configures the chip as a PMBus Slave, so the host needs to act as a PMBus Master. The Boot ROM is always at address 11 (0x0B). It provides a set of PMBus commands which can be used to control and program the UCD3138.

These commands are:

Boot ROM Function	Command Byte
Configure Read Address	0xFD
Read 4 Bytes	0xFA
Read 16 Bytes	0xF9
Read Next 16 Bytes	0xF8
Write 4 Bytes	0xF5
Write 16 Bytes	0xF4
Write Next 16 Bytes	0xF3
Mass Erase Flash	0xF2
Page Erase Flash	0xF1
Execute from Program Flash	0xF0
Calculate Checksum	0xEF
Read Checksum	0xEE
Read Version	0xEC

The read and write message names are selected to avoid confusion with the Write Word and Block Write messages in the PMBus Specification.

13.2 Memory Read Functionality

A total of 4 PMBus command bytes have been assigned for read functionality in the UCD3138 Boot ROM. 3 of these messages utilize a read format, in which the PMBus Master provides an address and command byte to the UCD3138 and expects read data returned by the slave. These commands make it possible to read from any valid memory location. They can be used to read from peripheral registers as well as from memories.

13.2.1 Configure Read Address

Since the read commands only provide a command code, it is first necessary to provide an address to read from. The read address is set up through a PMBus Write Block message with a command byte of 0xFD. Starting with the device address of 0xB (with R/W bit set low), the Configure Read Address message contains a command byte of 0xFD, followed by 5 data bytes and a PEC byte. The first data byte represents the block size for a PMBus Block Write message, which will always contain a value of 0x4 for this message type. The remaining bytes represent the read address, starting with the most significant byte in the second data byte and the least significant byte in the fifth data byte. The PEC byte completes the message. The PMBus Master provides all 8 bytes of the message.

Note that the device address occupies bits 7 to 1 of the second byte, and the R/W bit occupies bit 0. So with a device address of 0xB and the R/W bit = 0, the byte value will be 0x16. See [Section 10.10.1](#) for more details.

Also note that in the following illustrations, grey boxes indicate communications from master to slave (UCD) and white boxes communications from UCD to master.

Start	Device Address & R/W (0x16)	Command Byte (0xFD)	Block Size (0x04)	Read Address[31:24]
Read Address[24:16]	Read Address[15:8]	Read Address[7:0]	PEC	Stop

13.2.2 Read 4 Bytes

Boot ROM will interpret the command byte, read a word from the read address and complete the message by sending the 4 data bytes and a PEC.

Start	Device Address & R/W (0x16)	Command Byte (0xFA)	Repeated Start	Device Address & R/W (0x17)		
Block Size (0x04)	Data[31:24]	Data[23:16]	Data[15:8]	Data[7:0]	PEC	Stop

13.2.3 Read 16 Bytes

The Read 16 Bytes message reads 16 bytes from the address configured as the read address. The master initiates the Read Block message by sending a device address and a command byte of 0xF9. The Boot ROM will interpret the command byte, read 16 bytes starting at the read address and complete the message by sending the 16 data bytes and a calculated PEC byte.

Start	Device Address & R/W (0x16)	Command Byte (0xF9)	Repeated Start		
Device Address & R/W (0x17)	Block Size (0x10)	Byte[0]	Byte[1]		
Byte[2]	Byte[3]	Byte[4]	Byte[5]	Byte[6]	Byte[7]
Byte[8]	Byte[9]	Byte[10]	Byte[11]	Byte[12]	Byte[13]
Byte[14]	Byte[15]	PEC	Stop		

13.2.4 Read Next 16 Bytes

The Read Next 16 Bytes message reads a block of data (16 bytes) from the previous read address. It is provided so that multiple memory reads do not require multiple Configure Read Address Commands. A Read Next Block message must be preceded by either a Read Block Message or a Read Next Block Message. The read address is initially configured prior to the Read Block message that starts the data transfer. The master initiates the Read Next Block message by sending a device address and a command byte of 0xF8. The Boot ROM will interpret the command byte, read 16 bytes starting at the new read address and complete the message by sending the 16 data bytes and a calculated PEC byte. After this message, the read address is automatically incremented by 16.

Start	Device Address & R/W (0x16)	Command Byte (0xF9)	Repeated Start		
Device Address & R/W (0x17)	Block Size (0x10)	Byte[0]	Byte[1]		
Byte[2]	Byte[3]	Byte[4]	Byte[5]	Byte[6]	Byte[7]
Byte[8]	Byte[9]	Byte[10]	Byte[11]	Byte[12]	Byte[13]
Byte[14]	Byte[15]	PEC	Stop		

13.3 Read Version

The Read Version message reads the current ROM version from the Boot ROM. The USB/PMBus adapter initiates the Read Version message by sending a device address and a command byte of 0xEC. The Boot ROM will interpret the command byte and return the block size of 4 bytes, the current version number and the PEC byte for the message. The current version for the version of UCD3138 should be 0x00030002.

Start	Device Address & R/W (0x16)	Command Byte (0xF9)	Repeated Start		
Device Address & R/W (0x17)	Block Size (0x04)	Version[31:24]	Version[32:16]		
Version[15:8]	Version[7:0]	PEC	Stop		

The ROM version for the other members of the UCD3138 family is shown in [Table 13-1](#).

Table 13-1. ROM Version for the Other Members of the UCD3138 Family

Device	ROM Version
UCD3138, UCD3138A	0x00030002
UCD3138064, UCD3138064A	0x00040001
UCD3138A64, UCD3138A64A	0x00060001
UCD3138128, UCD3138128A	0x00050001

13.4 Memory Write Functionality

A total of 6 PMBus command bytes have been assigned for write functionality in the UCD3138 Boot ROM. Each of these write-based PMBus messages utilizes a write format, in which the PMBus Master provides an address, the command byte and data bytes to the PMBus Slave (UCD3138).

13.4.1 Write 4 Bytes

The Write 4 Bytes message writes a 32 bit word into a specified address. The Write 4 Bytes message utilizes the PMBus write block message format. The PMBus Master initiates the message by sending the device address, a command byte of 0xF5, a block length of 0x8, the 32-bit write address location, four data bytes and a PEC byte. The Boot ROM interprets the command byte and stores the word at the write address specified by the incoming message.

Start	Device Address & R/W (0x16)	Command Byte (0xF5)	Block Size (0x08)	Write Address[31:24]	
Write Address[24:16]	Write Address[15:8]	Write Address[7:0]	Data[31:24]		
Data[23:16]	Data[15:8]	Data[7:0]	PEC	Stop	

The Write 4 Bytes message is normally very quick, and no PMBus delay is required. However, the Write 4 Bytes message can be used for writing to data and program flash, simply by writing to the appropriate address. In this case, 50 µsec should be allowed before starting the next message.

13.4.2 Write 16 Bytes

The Write 16 Bytes message writes a block of 16 data bytes starting at a specified address. The Write 16 Bytes message utilizes the PMBus write block message format. The PMBus Master initiates the message by sending the device address, a command byte of 0xF4, a block length of 0x14, the 32-bit write address location, sixteen data bytes and a PEC byte. The Boot ROM interprets the command byte and stores the data bytes starting at the write address specified by the incoming message.

Start	Device Address & R/W (0x16)	Command Byte (0xF4)	Block Size (0x14)	Write Address[31:24]
Write Address[24:16]	Write Address[15:8]	Write Address[7:0]	Data Byte[0]	
Data Byte[1]	Data Byte[2]	Data Byte[3]	Data Byte[4]	
Data Byte[5]	Data Byte[6]	Data Byte[7]	Data Byte[8]	
Data Byte[9]	Data Byte[10]	Data Byte[11]	Data Byte[12]	
Data Byte[13]	Data Byte[14]	Data Byte[15]	PEC	Stop

The Write 16 Bytes message is normally very quick, and no PMBus delay is required. However, the Write 16 Bytes message can be used for writing to data and program flash, simply by writing to the appropriate address. In this case, 200 μ sec should be allowed before starting the next message.

13.4.3 Write Next 16 Bytes

The Write Next 16 Bytes message writes a block of 16 data bytes starting at the last programmed write address incremented by 16. It is designed to improve efficiency when many sequential blocks are being written. The Write Next 16 Bytes message utilizes the PMBus write block message format. Use of the Write Next 16 Bytes message assumes the write address was set previously with a Write Block message. The PMBus Master initiates the message by sending the device address, a command byte of 0xF3, a block length of 0x10, sixteen data bytes and a PEC byte. The Boot ROM interprets the command byte and stores the data bytes starting at the write address, calculated from the previously set address incremented by 16.

Start	Device Address & R/W (0x16)	Command Byte (0xF3)	Block Size (0x10)	Data Byte[0]
Data Byte[1]	Data Byte[2]	Data Byte[3]	Data Byte[4]	
Data Byte[5]	Data Byte[6]	Data Byte[7]	Data Byte[8]	
Data Byte[9]	Data Byte[10]	Data Byte[11]	Data Byte[12]	
Data Byte[13]	Data Byte[14]	Data Byte[15]	PEC	Stop

The Write Next 16 Bytes message is normally very quick, and no PMBus delay is required. However, the Write Next 16 Bytes message can be used for writing to data and program flash, simply by writing to the appropriate address. In this case, 200 μ sec should be allowed before starting the next message.

13.5 Flash Functions

In addition to the ability to read and write internal memory map locations, the UCD3138 Boot ROM supports flash functions. These functions allow the user to perform a mass erase or page erase of either the Program Flash or Data Flash. The Boot ROM also supports a PMBus command byte that initiates execution of code from the Program Flash, starting at address 0.

13.5.1 Mass Erase

Start	Device Address & R/W (0x16)	Command Byte (0xF2)	Data Byte (0/1)	PEC	Stop
-------	-----------------------------	---------------------	-----------------	-----	------

The Boot ROM supports the initiation of a mass erase of either the Program or Data Flash through a PMBus message. The PMBus Master initiates a PMBus write byte message to the UCD3138. The master initiates the message by sending the device address, a command byte of 0xF2, a single data byte and the PEC byte. The data byte identifies which flash memory will be mass erased. A value of 0x0 indicates a mass erase of the Data Flash, while a value of 0x1 indicates a mass erase of the Program Flash. Upon receipt of the mass erase message, the Boot ROM sets the appropriate control bit to initiate a mass erase of the flash memory. The flash control logic generates the sequencing of control signals to perform a mass erase operation on the memory. Mass erase takes approximately 20 msec. The PMBus Master should wait at least 20 msec after sending this command before attempting any other PMBus communication. For the other members of the UCD3138 family, the "data byte" parameter can have different values, depending on which program flash block you wish to erase. See [Table 13-2](#) for more details.

Table 13-2. Boot ROM Mass Erase Data Byte Parameter Values ⁽¹⁾

Device	Data Flash	Program Flash				Comment
		0x00000 to 0x07FFF	0x08000 to 0x0FFFF	0x10000 to 0x17FFF	0x18000 to 0x1FFFF	
UCD3138	0	1	N/A	N/A	N/A	1 × 32k program flash block
UCD3138A	0	1	N/A	N/A	N/A	1 × 32k program flash block
UCD3138064	0	1	2	N/A	N/A	2 × 32k program flash blocks
UCD3138064A	0	1	2	N/A	N/A	2 × 32k program flash blocks
UCD3138A64	0	1	2	N/A	N/A	2 × 32k program flash blocks
UCD3138A64A	0	1	2	N/A	N/A	2 × 32k program flash blocks
UCD3138128	0	1	2	3	4	4 × 32k program flash blocks
UCD3138128A	0	1	2	3	4	4 × 32k program flash blocks

(1) These numbers also apply to the Flash Select parameter for the Boot ROM page erase command.

13.5.2 Page Erase

The Boot ROM supports the initiation of a page erase of either the Program or Data Flash through a PMBus message. The PMBus Master initiates a PMBus write block message to the UCD3138. The master initiates the message by sending the device address, a command byte of 0xF1, a block length of 0x4, four data bytes and a PEC byte. The first data byte selects which flash memory in which the page erase will be performed. The next byte selects the page to be erased. Upon receipt of the page erase message, the Boot ROM sets the appropriate control bits to initiate a page erase on the selected flash memory. The flash control logic generates the sequencing of control signals to perform a page erase operation. Like Mass Erase, the Page Erase command requires 20 milliseconds to complete. No PMBus commands should be sent during this time.

For the other members of the UCD3138 family, the "flash select" parameter can have different values, depending on which program flash block is being acted upon during the page erase. See [Table 13-2](#) for more details.

Start	Device Address & R/W (0x16)	Command Byte (0xF1)	Block Length (0x4)
Flash Select (0/1)	Page Select[7:0]	Unused	Unused
			PEC
			Stop

13.5.3 Execute Flash

The Boot ROM supports a function to exit the ROM code and start execution of code from the Program Flash through a PMBus message. The PMBus Master initiates a PMBus Send Byte message to the PMBus slave on the UCD3138. The master starts the message by sending the device address of 0xB, a command byte of 0xF0 and a PEC byte. Upon receipt of the user-defined command byte of 0xF0, the Boot ROM configures the memory selects for program flash operation and resets the program counter to 0. Following reconfiguration of the memory selects, the Program Flash now resides at address location 0 and code is now read from the flash instead of Boot ROM code.

Start	Device Address & R/W (0x16)	Command Byte (0xF0)	PEC	Stop
-------	--------------------------------	---------------------	-----	------

The Execute Flash command starts execution from Program Flash regardless of the state of the checksums. When the processor starts executing from flash it is in supervisor mode and in ARM mode. Normally the flash program will configure stack pointers and any processor registers in these modes and then switch to Thumb mode and to User mode for efficiency and safety while executing the customer program. See [Section 14.1](#) for more information on processor modes.

For the other members of the UCD3138 family which have more than one block of program flash, there is sometimes a second option to control which program flash block should be mapped to address 0. For this second option, the command byte should be set to 0xF7. See [Table 13-3](#) for more details.

Table 13-3. Boot ROM Execute Flash Command Byte, Valid Values ⁽¹⁾

	Command Byte = 0xF0	Command Byte = 0xF7
UCD3138, UCD3138A	pflash: 0x0000 to 0x7FFF	not valid
UCD3130A64, UCD3138064A	pflash block 1: 0x0000 to 0x7FFF pflash block 2: 0x8000 to 0xFFFF	pflash block 1: 0x8000 to 0xFFFF pflash block 2: 0x0000 to 0x7FFF
UCD3138A64, UCD3138A64A	pflash block 0: 0x0000 to 0x7FFF pflash block 1: 0x8000 to 0xFFFF	not valid
UCD3138128, UCD3138128A	pflash block 0: 0x00000 to 0x07FFF pflash block 1: 0x08000 to 0x0FFFF pflash block 2: 0x10000 to 0x17FFF pflash block 3: 0x18000 to 0x17FFF	pflash block 0: 0x10000 to 0x17FFF pflash block 1: 0x18000 to 0x17FFF pflash block 2: 0x00000 to 0x07FFF pflash block 3: 0x08000 to 0x0FFFF

(1) Use the command byte to map different program flash blocks to address 0.

13.5.4 Flash Programming Sequence using Boot ROM

To program the flash, first send the appropriate Mass Erase commands. The Flash values will all become 0xFF. Then send a single Write 16 Bytes command for the start of each block of memory that needs to be written. For the rest of the block, it is more efficient to send Write Next 16 Bytes commands. A system which can translate a UCD3138 object file to PMBus commands is required. The Fusion Design GUI and the UCD3138 Device GUI from Texas Instruments can both perform this download function when used with the USB Interface Adapter and a PC. Production portable programmers will be made available from 3rd parties. Please contact TI for further guidance.

To verify the flash programming, there are three options:

1. Read the flash back with a combination of Configure Read Address, Read 16 Bytes, and Read Next 16 Bytes commands
2. If the checksum is programmed, simply reset the device and verify that it executes the Flash Memory. This works only for Program Flash. Often the program in flash verifies a checksum for data flash
3. Use the checksum functions below to have the device calculate a checksum of the flash and compare it to the expected value.

13.6 Checksum Functions

The UCD3138 Boot ROM supports checksum generation, used primarily to verify programmed flash memories. A PMBus command byte of 0xEF has been assigned for calculation of a checksum, while a command byte of 0xEE is utilized for reading the previously calculated checksum.

13.6.1 Calculation of Checksum

The Boot ROM supports a function to calculate a checksum over a portion of the address space. The PMBus Master initiates a PMBus write block message to initiate a checksum calculation within the UCD3138. The PMBus master sends the device address, a command byte of 0xEF, the starting address of the checksum calculation, the number of bytes to process and a PEC byte. Upon detection of the command byte 0xEF, the Boot ROM reads the block of memory space and calculates a checksum. This process requires less than 20 milliseconds for a 32K memory space.

Start	Device Address & R/W (0x16)	Command Byte (0xEF)	Block Size (0x08)	Start Address[31:24]
Start Address[23:16]	Start Address[15:8]	Start Address[7:0]	Byte Count[31:24]	
Byte Count[23:16]	Byte Count[15:8]	Byte Count[7:0]	PEC	Stop

13.6.2 Reading Checksum

The Boot ROM supports a function to read a previously calculated checksum over a portion of the address space. The USB/PMBus adapter initiates a PMBus read block message to read a checksum calculation within the UCD3138. The PMBus master sends the device address, a command byte of 0xEE. The UCD3138 returns the four checksum bytes and a PEC byte. Upon detection of the command byte 0xEE, the Boot ROM reads the calculated checksum and returns to the PMBus master.

Start	Device Address & R/W (0x16)	Command Byte (0xEE)	Block Size (0x04)	Checksum[31:24]
Checksum[23:16]	Checksum[15:8]	Checksum[7:0]	PEC	Stop

13.7 Trim Flash Checksum Verification

The Boot ROM also initializes several trim registers in the UCD3138. This trim data comes from a special trim flash area. The trim data is programmed into the trim flash when the device is tested. This trim flash has its own checksum. It is very unlikely, but if the checksum is invalid, the Boot ROM will not write any trim data to the registers. In this case, the device will not perform to specification. The Boot ROM provides two forms of notification if the trim flash checksum is invalid:

1. In ROM mode, there will be a 1 at RAM location 0x19018. It is a 4 bit word, so a Read Word for that address will return the value
2. In Flash mode, there will be a 0x7e written to the slave address bitfield for master mode in the PMBUS registers. If the trim is valid, it will be a 0x7f.

The code below can be used in the flash code to detect if the trim flash is valid:

```
if(PMBusRegs.PMBCTRL1.bit.SLAVE_ADDR == 0x7f)
{
    //here if trim is valid.
```

This way the power supply can start running if the trim is valid. If the trim is invalid, the power supply should not be started, as the device will not be in specification. If there is host communication, the host can be notified appropriately. The PMBus should still be functional. Note that one of the trim values is for the PMBus bias to the ADC pins, so resistor based PMBus addressing using internal pull ups on ADC 0 and 1 may not give the proper address.

13.8 Boot ROM for the Other Members of the UCD3138 Family

13.8.1 UCD3138064 and UCD3138064A

The ROM program changed for the UCD3138064. Instead of 2 checksums on the UCD3138, there are now 4 locations for checksums on the UCD3138064, and one of these checksums double-jobs to cover two possible program code spaces. The checksums and their locations are:

Table 13-4. Checksums Used By UCD3138064 Boot ROM Program

Checksum Location	Purpose
0x07FC	Checksum for 2kB boot in program flash 1
0x7FFC	Checksum for 32kB program in program flash 1
0x87FC	Checksum for 2kB boot in program flash 2
0xFFFC	Checksum for 32kB program in program flash 2 or
	Checksum for 64kB program in program flash 1 and 2

The checksum locations in [Table 13-4](#) assume that program flash block 1 is mapped to address 0x0000, and program flash block 2 is mapped to 0x8000.

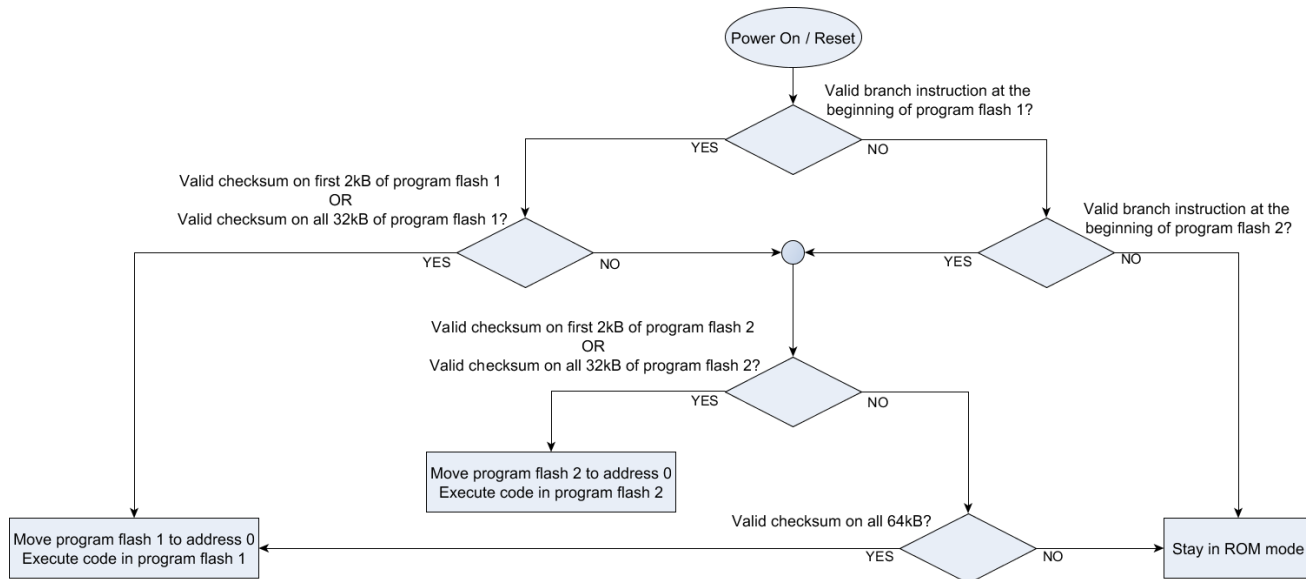


Figure 13-3. UCD3138064 Boot ROM Execution After Power-on/Reset

Figure 13-3 is a flowchart showing the order in which the ROM verifies the integrity of the program flash contents using the different checksums. The branch instruction check at the very beginning prevents the Boot ROM checksum test checking the integrity of an empty block of program flash (as if the program flash was filled with 0x00, then the checksum test would pass).

If program flash block 1 is mapped to address 0x0000, program flash block 2 is mapped to address 0x8000, and vice-versa.

The UCD3138 has a PMBus command called “execute flash” with a command code of 0xF0. This causes the program to execute. On the UCD3138064, the same command code causes program flash block 1 to be placed in control. A new command code of 0xF7 has been added for the UCD3138064, which maps program flash block 2 to address 0x0000 and starts executing from there. See section 14.5.3 for more details on the “execute flash” command.

13.8.2 UCD3138A64 and UCD3138A64A

On the UCD3138 and UCD3138064, the checksum for an area of program flash is calculated as the sum of bytes over the program flash area.

For example, to calculate the checksum from *start_address* to *end_address*, the Boot ROM program on the UCD3138 and UCD3138064 executes something like the following code:

```

uint32 calculate_checksum(register uint32 start_address, register uint32 end_address)
{
    uint32 checksum = 0;
    uint8 *addr;
    for(addr=(uint8 *)start_address; (uint32)addr < end_address; addr++)
    {
        checksum = checksum + (*addr); // read byte data from flash
    }
    return checksum;
}

```

For the UCD3138A64 and UCD3138128 (and A versions), the checksum is calculated as the sum of 32-bit words in the program flash area covered by the checksum, rather than the sum of 8-bit bytes. This makes the checksum calculation approximately 4 times faster. It means that the Boot ROM program can verify the checksum for 64kB in around 5ms, while the UCD3138 Boot ROM program takes 10ms to verify 32kB of program flash. Here is the code for calculating the checksum.

```

void calculate_checksum(register uint32 *start_address, register uint32 *end_address)
{
    //use local register variable for speed.
    register unsigned long long lcs = long_checksum;
    while(start_address < end_address)
    {
        lcs = lcs + *start_address ;
        lcs = lcs + (uint32)*(start_address + 1) ;
        start_address = start_address + 2;
    }
    long_checksum = lcs;
}

```

Two words are added each pass through the loop to increase the execution speed even further.

The checksums for the UCD3138A64 and UCD3138128 are now 8 bytes in length (versus 4 bytes for the UCD3138 and UCD3138064).

The checksums and their locations are shown in [Table 13-5](#).

Table 13-5. Checksums Used by UCD3138A64 Boot ROM Program

Checksum Location	Purpose
0x07F8	Checksum for 2kB boot in program flash 0
0x7FF8	Checksum for 32kB program in program flash 0
0xFFF8	Checksum for 64kB program in program flash 0 and 1

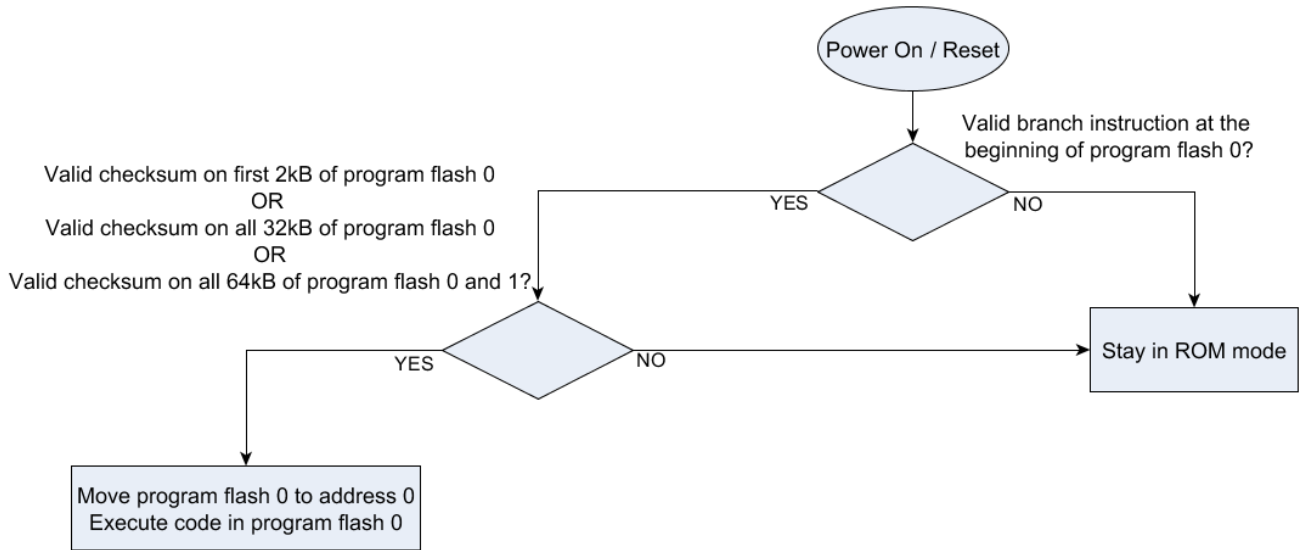


Figure 13-4. UCD3138A64 Boot ROM Execution After Power-on/Reset

Figure 13-4 is a flowchart showing the order in which the ROM verifies the integrity of the program flash contents using the different checksums.

The branch instruction check at the beginning prevents the checksum program from trying to verify the integrity of an empty block of memory. Otherwise a block filled with zeroes would pass the checksum test.

The UCD3138A64 doesn't have ROM support for putting 2 separate programs into flash, one in each flash block. This can still be done, however, using a boot flash program. Or the program in block 0 can be a fixed program, which checks the program in block 1 and jumps to it if appropriate.

13.8.3 UCD3138128 and UCD3138128A

The UCD3138128 uses checksums to verify the integrity of the first 2kB, 32kB and 64kB of program flash just like the UCD3138A64. It also has checksums to verify the second 64kB and for the full 128kB of program flash. This provides Boot ROM support for 2 independent versions of the firmware in a single device. The checksums and their locations are shown in Table 13-6.

Table 13-6. Checksums Used by UCD3138128 Boot ROM Program

Checksum Location	Purpose
0x007F8	Checksum for 2kB boot in program flash 0
0x07FF8	Checksum for 32kB program in program flash 0
0x0FFF8	Checksum for 64kB program in program flash 0 and 1
0x1FFF8	Checksum for 64kB program in program flash 2 and 3 or Checksum for 128kB program in program flash 0, 1, 2 and 3

The locations above assume that Block 0 is mapped to address 0x0000, Block 1 is mapped to address 0x8000, Block 2 is mapped to address 0x10000, and Block 3 is mapped to 0x18000.

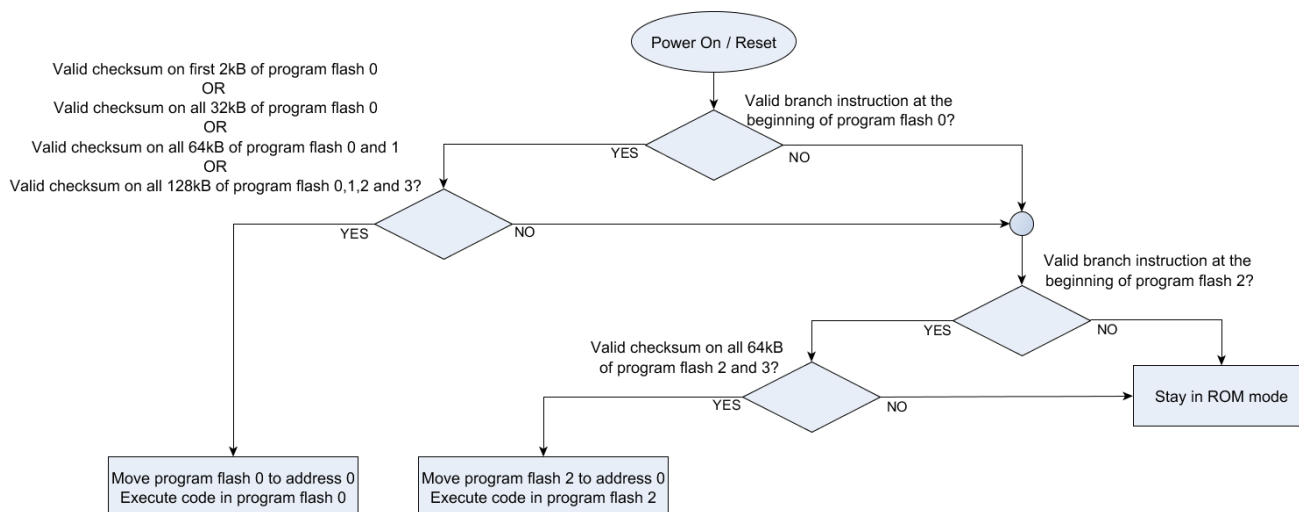


Figure 13-5. UCD3138128 Boot ROM Execution After Power-on/Reset

Figure 13-5 is a flowchart showing the order in which the ROM verifies the integrity of the different areas of program flash using the checksums. The branch instruction check at the beginning prevents the Boot ROM checksum program from checking the integrity of an empty block of memory. Otherwise a block filled with zeroes would pass the checksum test.

The UCD3138 has a PMBus command called “execute flash” with a command code of 0xF0. This causes the program to execute. On the UCD3138128, the same command code cause:

- program flash block 0 to be mapped to address 0x00000
- program flash block 1 to be mapped to address 0x08000
- program flash block 2 to be mapped to address 0x10000
- program flash block 3 to be mapped to address 0x18000

The code then starts executing from the start of program flash block 1 (at address 0).

Setting the command code to 0xF7 causes:

- program flash block 2 to be mapped to address 0x00000
- program flash block 3 to be mapped to address 0x08000
- program flash block 1 to be mapped to address 0x10000
- program flash block 2 to be mapped to address 0x18000

The code then starts executing from the start of program flash block 2 (at address 0). See [Section 13.5.3](#) for more details on the “execute flash” command.



The ARM7TDMI-S processor is a **S**ynthesizable member of the ARM7TDMI (ARM7-Thumb+**D**ebug+**M**ultiplier+**I**CE) family of general purpose 32 bit microprocessors. The ARM7TDMI-S processor is of Von-Neumann architecture and is based on RISC (Reduced Instruction Set Computer) principles where two instruction sets are available: the 32-bit ARM instruction set and the 16-bit Thumb instruction set. The Thumb instruction allows for higher code density equivalent to a 16-bit microprocessor, with the performance of the 32-bit microprocessor.

The three staged pipelined ARM processor is architected with fetch, decode and execute stages. Major blocks in the ARM processor include a 32 bit ALU, a 32x8 multiplier, and a barrel shifter. A JTAG port is also available for firmware debugging.

14.1 ARM7TDMI-S Modes of Operation	472
14.2 Hardware Interrupts	474
14.3 Software Interrupt	475
14.4 ARM7TDMI-S Instruction Set	476
14.5 Dual-State Interworking	476

14.1 ARM7TDMI-S Modes of Operation

The ARM processor has seven *processor operating modes*, as shown in [Table 14-1](#). Each operating mode is used for a particular purpose; only one mode is in use at any one time:

Table 14-1. ARM Processor Operating Modes

Mode	Privileged	Purpose
User	No	The common mode for running most routines
Fast Interrupt (FIQ)	Yes	The mode for executing time critical tasks
Standard Interrupt (IRQ)	Yes	The mode for executing time sensitive tasks
System	Yes	Privileged, using same User mode registers
Supervisor	Yes	The mode after a reset, and the mode for execution of software interrupt (SWI)
Abort	Yes	The mode for memory access violation exception
Undefined	Yes	The mode for undefined instruction exception

Among other things, the operating modes shown in [Table 14-1](#) define the registers that can be used (also called the *register map*) and the operating *privilege level*.

The ARM processor has a simple privilege model: all modes are privileged apart from User mode. *Privilege* is the ability to perform certain tasks that cannot be done from User mode. For example, changing the operating mode is a privileged operation.

The ARM processor has a total of 37 registers: 31 general-purpose registers (including the Program Counter R15) and 6 status registers. These registers are shown in [Table 14-2](#).

Table 14-2. General-Purpose Registers and Program Counter

User	System	Fast Interrupt	Interrupt	Supervisor	Abort	Undefined
R0	R0	R0	R0	R0	R0	R0
R1	R1	R1	R1	R1	R1	R1
R2	R2	R2	R2	R2	R2	R2
R3	R3	R3	R3	R3	R3	R3
R4	R4	R4	R4	R4	R4	R4
R5	R5	R5	R5	R5	R5	R5
R6	R6	R6	R6	R6	R6	R6
R7	R7	R7	R7	R7	R7	R7
R8	R8	R8_fiq	R8	R8	R8	R8
R9	R9	R9_fiq	R9	R9	R9	R9
R10	R10	R10_fiq	R10	R10	R10	R10
R11	R11	R11_fiq	R11	R11	R11	R11
R12	R12	R12_fiq	R12	R12	R12	R12
R13 (SP)	R13 (SP)	R13_fiq	R13_irq	R13_svc	R13_abt	R13_und
R14 (LR)	R14 (LR)	R14_fiq	R14_irq	R14_svc	R14_abt	R14_und
R15 (PC)	R15 (PC)	R15 (PC)	R15 (PC)	R15 (PC)	R15 (PC)	R15 (PC)
Program Status Registers						
CPSR	CPSR	CPSR	CPSR	CPSR	CPSR	CPSR
		SPSR_fiq	SPSR_irq	SPSR_svc	SPSR_abt	SPSR_und
Register	Indicates that the normal register used by User or System mode has been replaced by an alternative register specific to the mode of operation.					

As shown in [Table 14-2](#), each processor mode has its own R13 and R14 registers. This allows each mode to maintain its own stack pointer and return address. In addition, the Fast Interrupt (FIQ) mode has additional registers: R8–R12. This means that when the ARM processor switches into FIQ mode, the software does not need to save the normal R8–R12 registers, as FIQ mode has its own set that can be modified.

The Current Program Status Register (CPSR) is used to store condition code flags, interrupt disable bits, the current processor mode and other status and control information. This register is depicted in [Table 14-3](#):

Table 14-3. Current Program Status Register

31	30	29	28	27		24	23								16
N	Z	C	V	Undefined				Undefined							
15	14	13	12	11	10	9	8	7	6	5	4	3	2	1	0
Undefined								I	F	T	Mode				

The Current Program Status Register is defined in the following way:

- Bits 24–31 can be modified in any mode, and are used to store the condition code flags. Only four *condition code flags* are available: N for Negative, Z for Zero, C for Carry and V for Overflow; the other bits are undefined. The condition code flags are set or cleared as a by-product of certain arithmetic instructions. For example, “cmp r0,r1” sets the Z (Zero) flag if R0 and R1 are equal.
- Bits 6 and 7 (F and I respectively) are the *interrupt disable* bits: setting one of these bits to 1 disables that interrupt; bit 6 disables the Fast Interrupt (FIQ), bit 7 disables the normal Interrupt (IRQ). These bits can only be modified in a privileged mode.
- Bit 5 (the T bit) determines whether the processor runs in ARM state or in Thumb state. Thumb state uses a different, more compact, instruction set when compared to ARM. Never set this bit; Doing so will make the processor enter an unpredictable state. This bit can only be modified in a privileged mode.
- Bits 0–4 set the processor mode; [Table 14-2](#) shows the individual bit patterns needed to use a particular mode. These bits can only be modified in a privileged mode.
- Bits 8–27 are undefined and reserved for future or more advanced ARM processors. Never alter the contents of these bits; instead, use a read-modify-write cycle to preserve them. These bits can only be modified in a privileged mode.

As mentioned above, bits 24–31, the condition code flags, can be modified in any mode. Bits 0–23 can only be modified in a *privileged* mode (i.e., any mode other than User mode). [Table 14-2](#) shows the individual bit patterns needed in bits 0–4 to use a particular mode:

Table 14-4. Bit Patterns in Different ARM Processor Operating Modes

Mode Bit		Processor Mode (Abbreviation)	Accessible Registers
Bin	Hex		
10000	10	User (usr)	PC, R14-R0, CPSR
10001	11	Fast Interrupt (fiq)	PC, R14_fiq-R8_fiq, R7-R0, CPSR, SPSR_fiq
10010	12	Interrupt (irc)	PC, R14_irq, R13_irq, R12-R0, CPSR, SPSR_irq
10011	13	Supervision (svc)	PC, R14_svc, R13_svc, R12-R0, CPSR, SPSR_svc
10111	17	Abort (abt)	PC, R14_abt, R13_abt, R12-R0, CPSR, SPSR_abt
11011	1B	Undefined (und)	PC, R14_und, R13_und, R12-R0, CPSR, SPSR_und
11111	1F	System (sys)	PC, R14-R0, CPSR

It is worth noting that the five Saved Program Status Registers (SPSRs) have the same format as the Current Program Status Register. These registers save the contents of CPSR when an exception occurs.

14.1.1 Exceptions

During the ordinary flow of execution in a user program, the Program Counter usually increases sequentially through the address space, with perhaps a branch here or there to nearby labels, or with branch-and-links to subroutines and functions.

An *exception* causes this normal flow of execution to be diverted. Exceptions are generated by sources internal or external to the processor. This allows the processor to handle events generated by these sources. Such events include:

- interrupts generated by some peripheral device
- an attempt to execute an undefined or unimplemented instruction
- a software-generated interrupt, via the swi instruction

The ARM processor supports seven types of exceptions. These are listed in [Table 14-5](#), along with the processor mode that is used to handle it. When an exception occurs, the processor branches to a fixed address that corresponds to that exception. This fixed address, called the *exception vector address*, is located in the bottom 32 bytes of the memory map. These 32 bytes are called the *exception vector table*.

Note, from [Table 14-5](#), that there is just enough room at each vector address for one instruction (4 bytes). This is usually initialized to be a branch instruction or something like “ldr pc, [pc, #24]”.

Table 14-5. ARM Processor Exceptions

Exception Type	Processor Mode	Vector Address
Reset	Supervisor	0x0000000
Undefined Instructions	Undefined	0x0000004
Software Interrupt (swi)	Supervisor	0x0000008
Prefetch Abort (instruction fetch memory abort)	Abort	0x000000C
Data Abort (data access memory abort)	Abort	0x0000010
Interrupt (IRQ)	Interrupt (IRQ)	0x0000018
Fast Interrupt (FIQ)	Fast Interrupt (FIQ)	0x000001C

14.2 Hardware Interrupts

The ARM processor has only two hardware interrupt vectors, the IRQ and the FIQ.

- IRQs are normally assigned to general purpose interrupts like periodic timers
- FIQ is reserved for one single interrupt source that requires fast response time, like faults or any time critical task that requires fast response

Therefore all interrupt sources in UCD3138 peripherals can be mapped into one of the following interrupt service routines.

14.2.1 Standard Interrupt (IRQ)

IRQ is the standard interrupt routine, and usually will be assigned to perform the time sensitive (but not time critical) and periodic tasks of the program.

- Time sensitive means that the assigned task needs to be done within certain fixed and pre-determined time period.
- Time critical means that the assigned task needs to be performed immediately or within a very tight time period.

14.2.2 Fast Interrupt (FIQ)

FIQ is similar to IRQ. The following are a few differences that may make FIQ faster:

- FIQ has higher priority than IRQ, therefore IRQ execution can be interrupted by FIQ, but FIQ execution can not be interrupted by IRQ
- FIQ mode provides additional banked registers R8 to R14 that may be utilized to reduce the interrupt response time

Note that FIQ holds the last interrupt vector ([Table 14-5](#)). So the FIQ service routine can be placed immediately after the interrupt vector table, thus saving a branch instruction execution time.

14.3 Software Interrupt

Software interrupt is not an interrupt in the regular sense of a software routine that is getting called by an external event. Software interrupt is initiated by the sequential execution of the software and by calling a specific function. The call to a software interrupt function looks identical to a call to any other standard function.

Declaration of a new function and its mapping to software interrupt is done through aliasing pragma.

```
#pragma SWI_ALIAS (erase_data_flash_segment, 0)
void erase_data_flash_segment(Uint8 segment);
```

The major functional difference between the two is that during a call to the software interrupt function the ARM7 will switch to a privileged mode.

In this privileged mode the software will be able to enable/disable interrupts, manipulate Program and Data flash content and more. None of these are accessible when ARM7 is in User mode.

Then the implementation of the function should be added in the relevant case inside the switch/case expression in the body of software interrupt.

```
#pragma INTERRUPT(software_interrupt,SWI)
void software_interrupt(Uint32 arg1, Uint32 arg2, Uint32 arg3, Uint8 swi_number)
{
    switch (swi_number)
    {
        case 0:
        {
            // Erase one segment of Data Flash
            return;
        }
        case 1:
        {
            return;
        }
    }
}
```

14.4 ARM7TDMI-S Instruction Set

The ARM7TDMI-S processor has two instruction sets:

- The 32-bit ARM instruction set (ARM instruction set)
- The 16-bit Thumb instruction set (THUMB instruction set)

The ARM7TDMI-S processor is an implementation of the ARM architecture v4T.

14.4.1 Instruction Compression

Microprocessor architectures have traditionally had the same width for instructions and data. Therefore, 32-bit architectures had higher performance manipulating 32-bit data and could address a large address space much more efficiently than 16-bit architectures. 16-bit architectures typically had higher code density than 32-bit architectures, and greater than half the performance.

Thumb implements a 16-bit instruction set on a 32-bit architecture to provide:

- higher performance than a 16-bit architecture
- higher code density than a 32-bit architecture

14.4.2 The Thumb Instruction Set

The Thumb instruction set is a subset of the most commonly used 32-bit ARM instructions. Thumb instructions are each 16 bits long, and have a corresponding 32-bit ARM instruction that has the same effect on the processor model. Thumb instructions operate with the standard ARM register configuration, allowing excellent interoperability between ARM and Thumb states. On execution, 16-bit Thumb instructions are transparently decompressed to full 32-bit ARM instructions in real time, without performance loss.

Thumb has all the advantages of a 32-bit core:

- 32-bit address space
- 32-bit registers
- 32-bit shifter and *Arithmetic Logic Unit* (ALU)
- 32-bit memory transfer

Therefore Thumb offers a long branch range, powerful arithmetic operations, and a large address space.

The availability of both 16-bit Thumb and 32-bit ARM instruction sets gives designers the flexibility to emphasize performance, or code size on a subroutine level, according to the requirements of their applications. For example, critical loops for applications such as fast interrupts and DSP algorithms can be coded using the full ARM instruction set and linked with Thumb code.

14.5 Dual-State Interworking

This chapter explains how to set certain sections of code to operate in Thumb (16 bit) or ARM (32 bit) mode.

The ARM7TDMI-S (in UCD3138) is a unique processor in that it offers the performance of a 32-bit architecture with the code density of a 16-bit architecture. This is achieved by supporting both a 16-bit instruction set and a 32-bit instruction set and allowing switching dynamically between the two sets.

As explained earlier in reference to [Table 14-3](#), which illustrates the structure of CPSR register in ARM7TDMI-S, the working state is determined by Bit-5 (the T bit).

The instruction set that the ARM7TDMI-S processor uses is determined by the state of the processor. The processor can be in 32-BIS (bit instruction set) state or 16-BIS state at any given time. The compiler allows the user to specify whether a module should be compiled in 32- or 16-BIS state and allows functions compiled in one state to call functions compiled in the other state.

14.5.1 Level of Dual-State Support

By default, the Code Composer Studio (CCS) compiler allows dual-state interworking between functions. However, the compiler allows the user to alter the level of support to meet the specific needs.

In dual-state interworking, it is the called function's responsibility to handle the proper state changes required by the calling function. It is the calling function's responsibility to handle the proper state changes required to *indirectly* call a function (call it by address). Therefore, a function supports dual-state interworking if it provides the capability for functions requiring a state change to *directly* call the function (call it by name) and provides the mechanism to indirectly call functions involving state changes.

If a function does not support dual-state interworking, it cannot be called by functions requiring a state change and cannot indirectly call functions that support dual-state interworking. Regardless of whether a function supports dual-state interworking or not, it can directly or indirectly call certain functions, as summarized below:

- Directly call a function in the same state
- Directly call a function in a different state if that function supports dual-state interworking
- Indirectly call a function in the same state if that function does not support dual-state interworking

Given this definition of dual-state support, the CCS compiler offers three levels of support. The following table offers guidelines to determine the best level of support to use for the user's code.

If the code...	Use this level of support
requires no state changes and has frequent indirect calls	None
requires few state changes	Default
requires several state changes	Optimized

Detailed information about each level of support is provided below:

- **None:**
Dual-state interworking is disabled. This level is invoked with the `-md` shell option. Functions with this support can *directly* call the following functions:
 - Functions compiled in the same state
 - Functions in a different state that support dual-state interworking

Functions with this support level can indirectly call only functions that do not require a state change and do not support dual-state interworking. Because functions with this support level do not provide dual-state interworking, they cannot be called by a function requiring a state change.

This support level is used if user does not require dual-state interworking, has frequent indirect calls, and cannot tolerate the additional code size or speed incurred by the indirect calls supporting dual-state interworking. When a program does not require any state changes, the only difference between specifying no support and default support is that indirect calls are more complex in the default support level.
- **Default:**
Full dual-state interworking is supported in this level. For each function that supports full dual-state interworking, the compiler generates code that allows functions requiring a state change to call the function, whether it is ever used or not. This code is placed in a different section from the section the actual function is in. If the linker determines that this code is never referenced, it does not link it into the final executable image. However, the mechanism used with indirect calls to support dual-state interworking is integrated into the function and cannot be removed by the linker, even if the linker determines that the mechanism is not needed.
- **Optimized:**
Optimized dual-state interworking provides no additional functionality over the default level but optimizes the dual-state support code (in terms of code size and execution speed) for the case where a state change is required. It does this optimization by integrating the support into the function. Use the optimized level of support only when a majority of the calls to this function require a state change. Even if the dual-state support code is never used, the linker cannot remove the code because it is integrated into the function. To specify this level of support, use the `DUAL_STATE` pragma. See section 5.7.2, The `DUAL_STATE` Pragma, on page 5-15 of *TMS470R1x Optimizing C/C++ Compiler User's Guide* for more information ([SPNU151](#)).

14.5.2 Implementation

Dual-state support is implemented by providing an alternate entry point for a function. This alternate entry point is used by functions requiring a state change. Dual-state support handles the change to the correct state and, if needed, changes the function back to the state of the caller when it returns. Also, indirect calls set up the return address so that once the called function returns, the state can be reliably changed back to that of the caller.

14.5.3 Naming Conventions for Entry Points (CCS 3.x)

Most of the CCS 3.x compilers reserves the name space of all identifiers beginning with an underscore (`_`) or a dollar sign (`$`). In this dual-state support scheme, all 32-BIS state entry points begin with an underscore, and all 16-BIS state entry points begin with a dollar sign. All other compiler-generated identifiers, which are independent of the state of the processor, begin with an underscore. By this convention, all direct calls within a 16-bit function refer to the entry point beginning with a dollar sign and all direct calls within a 32-bit function refer to the entry point beginning with an underscore.

The compiler/linkers used in CCS6 use an underscore for all entry points. CCS6 uses the state of the assembler at the function call (ARM or Thumb mode) to determine how to call the function.

14.5.4 Indirect Calls

Addresses of functions taken in 16-BIS state use the address of the 16-BIS state entry point to the function (with bit 0 of the address set). Likewise, addresses of functions taken in 32-BIS state use the address of the 32-BIS state entry point (with bit 0 of the address cleared).

Then all indirect calls are performed by loading the address of the called function into a register and executing the branch and exchange (BX) instruction. This automatically changes the state and ensures that the code works correctly, regardless of what state the address was in when it was taken.

The return address must also be set up so that the state of the processor is consistent and known upon return. Bit 0 of the address is tested to determine if the BX instruction invokes a state change. If it does not invoke a state change, the return address is set up for the state of the function. If it does invoke a change, the return address is set up for the alternate state and code is executed to return to the function's state. Because the entry point into a function depends upon the state of the function that takes the address, it is more efficient to take the address of a function when in the same state as that function.

This ensures that the address of the actual function is used, not its alternate entry point. Because the indirect call can invoke a state change itself, entering a function through its alternate entry point, even if calling it from a different state, is unnecessary.

Example-1 shows `sum()` calling `max()` with code that is compiled for the 16-BIS state and supports dual-state interworking.

The `sum()` function is compiled with the `-mt` option, which creates 16-bit instructions. Example-2 shows the same function call with code that is compiled for the 32-BIS state and supports dual-state interworking. Function `max()` is compiled without the `-mt` option, creating 32-bit instructions.

Example-1. Code Compiled for 16-BIS State: Sum()

• C Program

```
int total = 0;
sum(int val1, int val2)
{
    int val = max(val1, val2);
    total += val;
}
```

• 16-bit assembly program

```

;*****
;
; function vanner: _sum *
;*****
_sum:
.state32
STMFD sp!, {lr}
ADD lr, pc, #1
BX lr
.state16
BL $sum
BX pc
NOP
.state16
.sect ".text"
.global $sum
;*****
; function def: $sum *
;*****
$sum:
PUSH {LR}
BL $max
LDR A2, CON1
LDR A3, [A2, #0]
ADD A1, A1, A3
STR A1, [A2, #0]
POP {PC}
;*****
;
; constant table *
;*****
.sect ".text"
.align4

```


Example-2. Code Compiled for 32-BIS State: max()

- C program

```
int max(int x,int y)
{
    return (x < y ? y : x);
}
```

- 32-bit assembly program

```
*****
;
; function venner: $max *
;*****
$max:
    .state16
    BX pc
    NOP
    .state32
    B _max
    .text
    .global _max
;*****
; function def: _max *
;*****
_max:
    CMP A1, A2
    MOVLE A1, A2
    BX LR
```

Since sum() is a 16-bit function, its entry point is \$sum. Because it was compiled for dual-state interworking, an alternate entry point, _sum, located in a different section is included. All calls to sum() requiring a state change use the _sum entry point.

The call to max() in sum() references \$max, because sum() is a 16-bit function. If max() were a 16-bit function, sum() would call the actual entry point for max().

However, since max() is a 32-bit function, \$max is the alternate entry point for max() and handles the state change required by sum().

Note that the above description applies for CCS 3 up to CCS 3.3.38.

With CCS 6.x, the object code will have the same structure, but the functions all have underscore as their first character whether they are in ARM or Thumb mode. The assembler knows the mode by the setting at assembly time. This information is stored in the object file, and the linker actually inserts the code for mode switching. It is no longer compiled around each function as in 3.3.

14.5.5 UCD3138 Reference Code

The UCD3138 reference code provided along with the EVMs (UCD3138PFCEVM-026, UCD3138PSFBEVM-027, UCD3138LLCEVM-028, UCD3138HSFBEVM-029) is written in a way that the program executes mostly in user mode and switches to privileged modes only if it needs to change interrupt configuration or program the flash memory.

The reference code does not often switch between the ARM and Thumb mode. All parts of the code except for the interrupt service routines are executed in Thumb mode in order to save valuable program space.

The file load.asm contains the routines that are the very first part of the code getting executed when control switches from ROM boot-loader to program flash that contains the application firmware.

In order to switch into Thumb mode the following assembly code is included inside the file load.asm.

```
*****
;
; CHANGE TO 16 BIT STATE
;*****
    ADD r0, pc, #1
    BX r0
```

where BX stands for Branch and Exchange instruction set.

BX r0 assembly instruction derives the target state from bit[0] of r0:

- if bit[0] of r0 is 0, the processor changes to, or remains in, ARM state
- if bit[0] of r0 is 1, the processor changes to, or remains in, Thumb state

When code is written in C language, the CCS compiler can be directed to build parts of the code in ARM or Thumb mode. This is done through utilization of “--code_state={16|32}” or “-mt” compiler build options.

- --code_state={16|32} Designates code state as 16-bit (thumb), or default 32-bit (arm)
- -mt Designates code state as 16-bit (thumb) mode

Therefore “--code_state=16” and “-mt” have identical effect. [Figure 14-1](#) shows the build options for the entire project.

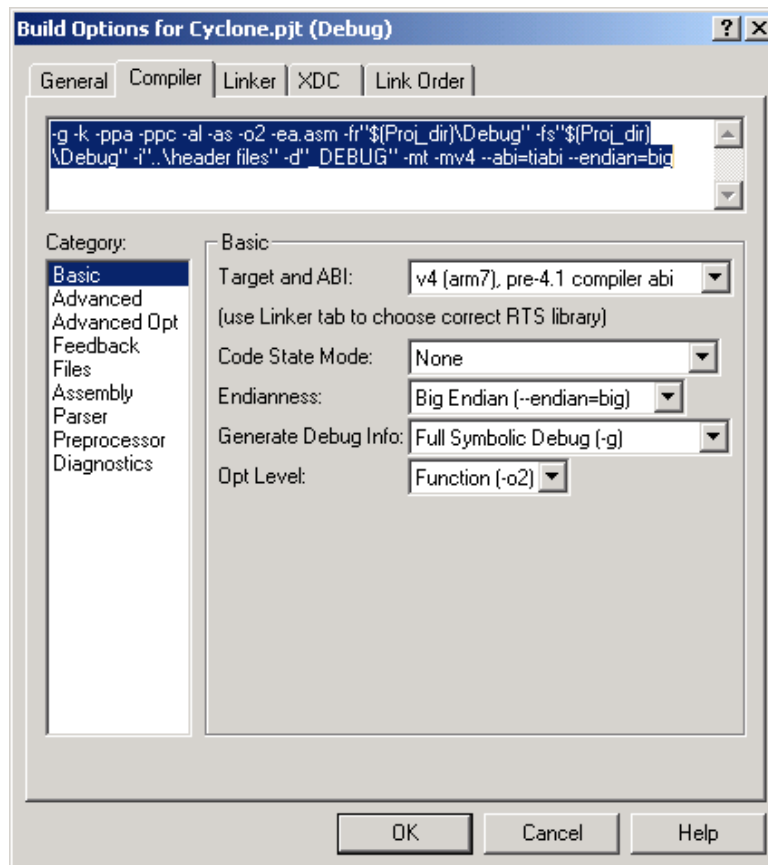


Figure 14-1.

It can be seen that the “Code State Mode” is set to none, but the “-mt” compiler option is added in the long statement of all compiler built options shown in the upper editable field of the window.

The “-mt” option can be added by selecting the “16-bit State Code (-mt)” check box under the advanced category. This is illustrated in [Figure 14-2](#).

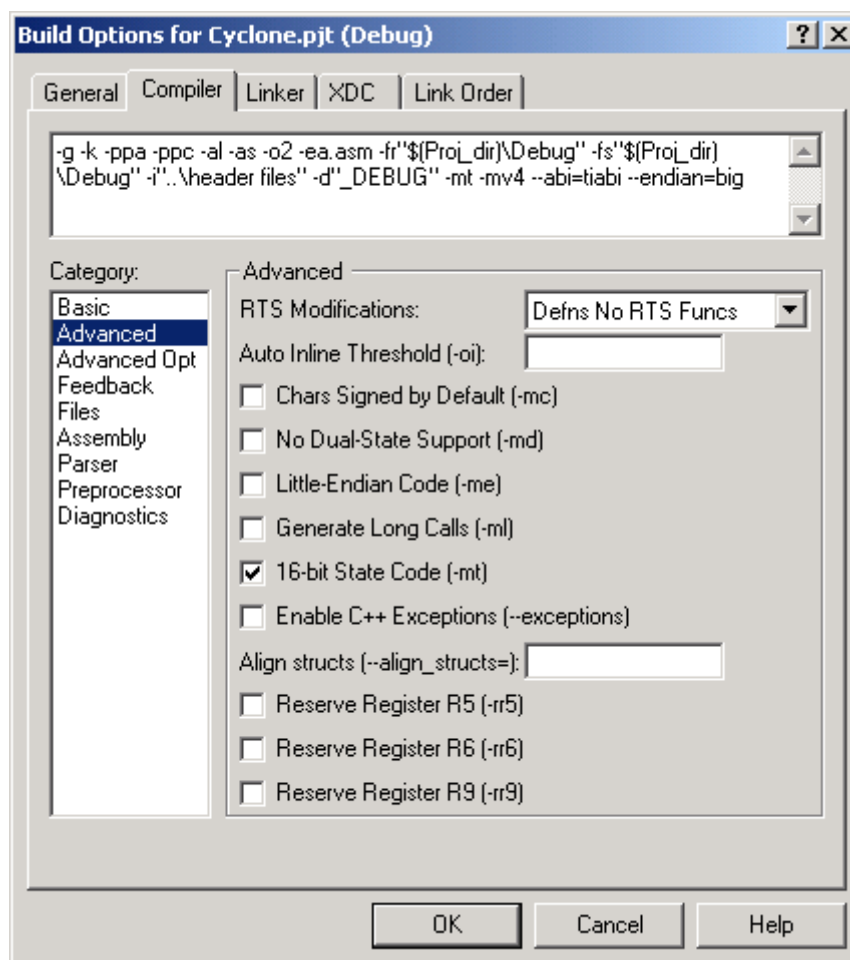


Figure 14-2.

It is preferred that the interrupt service routines run in ARM mode in order to minimize the ISR execution latencies. Interrupts all start out in ARM mode, the interrupt hardware changes the state to ARM mode. It is preferred to stay in ARM mode even when executing the functions called by any of the interrupt service routines. These functions are located in the file `interrupt.c`.

[Figure 14-3](#) shows the “file specific” build options for the file `interrupts.c` which includes the interrupt service routines.

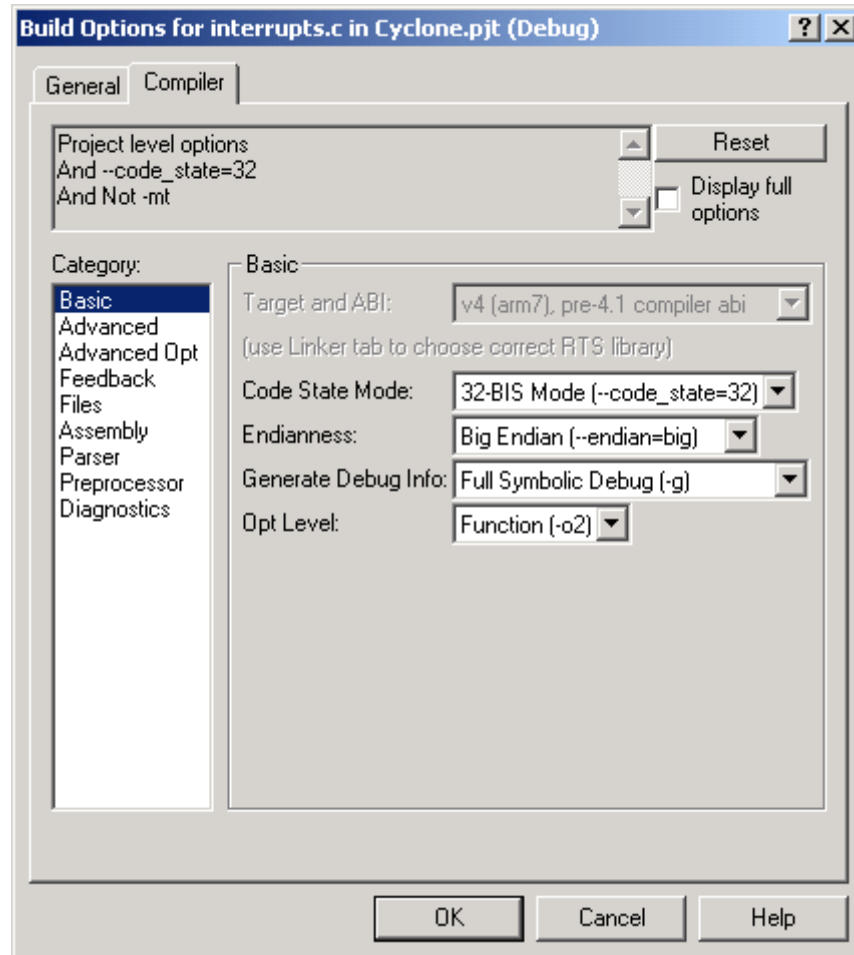


Figure 14-3.

It can be seen that the “Code State Mode” is set to 32-BIS Mode (--code_state=32) and the –mt built option is not chosen. This means that the compiler will make sure that the generated assembly code will switch to ARM mode when executing this specific part of the code. And the ARM mode instruction set will be used to perform this section of the code.

For additional information, please refer to the following reference material:

- ARM Optimizing C/C++ Compiler v5.2 User's Guide (SPNU151)
- ARM Assembly Language Tools v5.2 (CCS 6) (SPNU118)
- ARM7TDMI-S Technical Reference Manual <http://infocenter.arm.com/help/topic/com.arm.doc.ddi0234b/DDI0234.pdf>

The manuals above will be for the latest version of CCS. The CCS 3.3 manuals can be accessed via the Help button on the CCS window. They are installed with CCS 3.3.



As previously mentioned UCD3138 (ARM7TDMI-S) is based on Von-Neumann architecture, with a single bus providing access to different memory modules and peripherals.

Within the UCD3138 architecture, there is a 2048x32 bit Boot ROM that contains the initial firmware startup routines for PMBUS communication and non-volatile (FLASH) memory download. This Boot ROM is executed after power up reset and the code will determine if there is a valid FLASH program written. If a valid program is present, the ROM code branches to the main FLASH program execution.

UCD3138 also supports customization of Boot program by allowing an alternative booting routine to be executed from program Flash. This UCD3138 feature enables assignment of unique address to each device therefore supporting firmware reprogramming even when several devices are connected on the same communication bus.

This is accomplished using multiple checksums at different locations in Program FLASH. Other 3138 family members even support multiple program images. See [Chapter 13](#) for more information on how this is done.

Two separate FLASH memories are present inside the device. The 32KB Program FLASH memory is organized as an 8Kx32 bit memory block and is intended to be for firmware program space. The block is configured with page erase capability for erasing blocks as small as 1KB per page, or with a mass erase for erasing the entire program FLASH array. The FLASH endurance is specified at 1000 erase/write cycles and the data retention is good for 100 years. The 2KB Data FLASH array is organized as a 512x32 memory. The Data FLASH is intended for firmware data value storage and data logging. Thus, the Data FLASH is specified as a high endurance memory of 20K cycles with embedded ECC (Error correction code) mechanism. The Data Flash can be mass erased, or erased in 32 byte blocks.

The ARM7 has its reset and interrupt vectors mapped starting at address zero. At reset, the ROM is mapped to start at zero. In program flash execution, the program flash needs to be mapped to zero. The UCD3138 has programmable memory addressing which is used by the Boot ROM to remap the memories. With the UCD3138, there is no need for the customer to remap memory. However, with the 3138064 and other family members, it may be useful. These chips have more than one program flash block. This makes it possible to store more than one program version on the same chip. Each version can be mapped to location zero for efficient

For run time data storage and scratchpad memory, a 4KB RAM is available for firmware usage. The RAM is organized as a 1024x32 bit array. This feature can even be used to download a new version while executing from an existing one. It is possible to switch versions without powering down the supply. When the device comes out of reset, the program memories are mapped as follows:

Table 15-1. ROM and Program Flash Memory Map (ROM Operation)

Module	Size (KB)	Memory Select	Start Address		
			3138	3138064/A64	3138128
Boot ROM	8	0	0	0	0
Program Flash 0	32	1	0x10000	0x40000	0x40000
Program Flash 1	32	17	–	0x48000	0x48000
Program Flash 2	32	18	–	–	0x50000
Program Flash 3	32	19	–	–	0x58000

Note

In ROM mode, ROM extends from 0 up to start of program flash – the same 8KB block is repeated many times.

The large ROM area is needed because the ROM needs to jump from its ROM mode address to its Flash mode address before it moves the Flash to location 0. After boot ROM transfers control to program in Flash memory, memory gets remapped as follows:

Table 15-2. Memory Map (Flash Operation)

Module	Size (KB)	Memory Select	Start Address					
			3138	3138064/A64A		3138A64	3138128	
				Mode 1	Mode 2		Mode 1	Mode 2
Program Flash 0	32	1	0	0	0x8000	0	0	0x10000
Program Flash 1	32	17	–	0x8000	0	0x8000	0x8000	0x18000
Program Flash 2	32	18	–	–	–	–	0x10000	0
Program Flash 3	32	19	–	–	–	–	0x18000	0x8000
Boot ROM	8	0	0xA000	0x20000	0x20000	0x20000	0x20000	0x20000

Note

1. In Flash Mode, the ROM only occupies 4KB
2. The difference between the A64 and A64A is the only difference between A and non-A versions. With all the rest of the devices, the A and non-A memory maps are the same.

Mode 1 and Mode 2 are provided so that multiple versions can be supported by the Boot ROM. The put different flash blocks or pairs of flash blocks at location 0. The Data Flash and RAM are always in the same locations regardless of ROM or FLASH mode.

Table 15-3. RAM and Data Flash Memory Map (ROM and Flash Operation)

Module	Size (KB)	Memory Select	Start Address		
			3138	3138064	3138128/A64
Data Flash	2	2	0x18800	0x68800	0x69800
Data RAM	4/8	3	0x19000	0x69000	0x6A000

Note

The '128/A64 devices have 8 KB of data RAM, the other devices have 4KB.

Table 15-4. Memory Map (System and Peripherals Blocks)

Address	Size	Module	Comment
0x0002_0000 - 0x0002_00FF	256	Loop Mux	Memory Select[4]
0x0003_0000 - 0x0003_00FF	256	Fault Mux	Memory Select[5]
0x0004_0000 - 0x0004_00FF	256	ADC	Memory Select[6]
0x0005_0000 - 0x0005_00FF	256	DPWM 3	Memory Select[7]
0x0006_0000 - 0x0006_00FF	256	Filter 2	Memory Select[8]
0x0007_0000 - 0x0007_00FF	256	DPWM 2	Memory Select[9]
0x0008_0000 - 0x0008_00FF	256	Front End/Ramp I/F 2	Memory Select[10]

Table 15-4. Memory Map (System and Peripherals Blocks) (continued)

Address	Size	Module	Comment
0x0009_0000 - 0x0009_00FF	256	Filter 1	Memory Select[11]
0x000A_0000 - 0x000A_00FF	256	DPWM 1	Memory Select[12]
0x000B_0000 - 0x000B_00FF	256	Front End/Ramp I/F 1	Memory Select[13]
0x000C_0000 - 0x000C_00FF	256	Filter 0	Memory Select[14]
0x000D_0000 - 0x000D_00FF	256	DPWM 0	Memory Select[15]
0x000E_0000 - 0x000E_00FF	256	Front End/Ramp I/F 0	Memory Select[16]
0xFFFF_EC00 - 0xFFFF_ECFF	256	UART 0	Peripheral Select[4]
0xFFFF_ED00 - 0xFFFF_EDFF	256	UART 1	Peripheral Select[4]
0xFFFF_F000 - 0xFFFF_F0FF	256	Miscellaneous Analog Control	Peripheral Select[3]
0xFFFF_F600 - 0xFFFF_F6FF	256	PMBus Interface	Peripheral Select[2]
0xFFFF_FA00 - 0xFFFF_FAFF	256	GIO	Peripheral Select[1]
0xFFFF_FD00 - 0xFFFF_FDFF	256	Timer	Peripheral Select[0]
0xFFFF_FD00 - 0xFFFF_FDFF	256	MMC	SAR Select[2]
0xFFFF_FE00 - 0xFFFF_FEFF	256	DEC	SAR Select[1]
0xFFFF_FF20 - 0xFFFF_FF37	23	CIM	SAR Select[0]
0xFFFF_FF40 - 0xFFFF_FF50	16	PSA	SAR Select[0]
0xFFFF_FFD0 - 0xFFFF_FFEC	28	SYS	SAR Select[0]

The registers and bit definitions inside the System and Peripheral blocks are detailed in the next chapter. This chapter gives the register reference for the memory controller and address decoder, but the details of its use are in the next two chapters. Note that on 3138 family members with more than one flash block, all the memory select peripherals start at 0x00120000 instead of 0x00020000.

15.1 Memory Controller – MMC Registers Reference	487
15.2 DEC – Address Manager Registers Reference	493

15.1 Memory Controller – MMC Registers Reference

All MMC control registers have the following attributes:

- 16-bit width
- Addresses placed on word boundaries
- 16-bit data is placed on the least significant data bus D[15:0]
- Only half-word writes are permitted
- Registers are readable in any mode, but writeable only in privilege mode

15.1.1 Static Memory Control Register (SMCTRL)

Address FFFFFFFD00

Figure 15-1. Static Memory Control Register (SMCTRL)

13	12	11	9	8	7	4	3	2	1	0
LEAD	TRAIL		Rsvd	ACTIVE			ENDIAN	Rsvd	WIDTH	
R/W-00	R/W-000		R-0	R/W-0000			R-0	R-0	R/W-00	

LEGEND: R/W = Read/Write; R = Read only; -n = value after reset

Table 15-5. Static Memory Control Register (SMCTRL) Register Field Descriptions

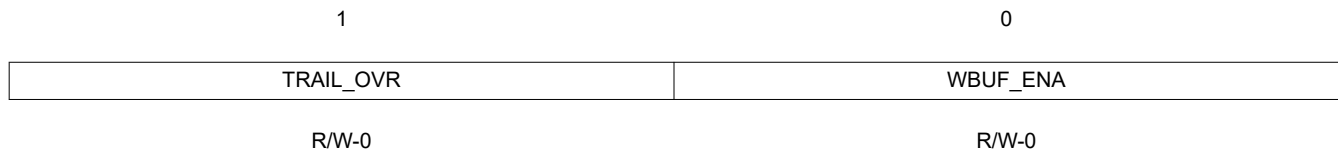
Bit	Field	Type	Reset	Description
13-12	LEAD	R/W	00	Address setup time cycles (write operations) 00 = No setup time required (Default) 01 = Write strobe is delayed one cycle 10 = Write strobe is delayed two cycles 11 = Write strobe is delayed three cycles
11-9	TRAIL	R/W	000	Number of Trailing wait states. Determine the trailing wait states after read and write operations to the memory associated with the chip select corresponding to the wait states.
8	Reserved	R	0	
7-4	ACTIVE	R/W	0000	Active Wait states (both read/write operations) 0000 = 0 Wait states (Default) 0001 = 1 Wait states 0010 = 2 Wait states 0011 = 3 Wait states 0100 = 4 Wait states 0101 = 5 Wait states 0110 = 6 Wait states 0111 = 7 Wait states 1000 = 8 Wait states 1001 = 9 Wait states 1010 = 10 Wait states 1011 = 11 Wait states 1100 = 12 Wait states 1101 = 13 Wait states 1110 = 14 Wait states 1111 = 15 Wait states
3	ENDIAN	R	0	Endian Mode Identification 0 = CPU configured in big endian mode 1 = CPU configured in little endian mode
2	Reserved	R	0	

Table 15-5. Static Memory Control Register (SMCTRL) Register Field Descriptions (continued)

Bit	Field	Type	Reset	Description
1-0	WIDTH	R/W	00	Data Width for Memories 00 = 8 bits (Default) 01 = 16 bits 10 = 32 bits 11 = Reserved

15.1.2 Write Control Register (WCTRL)

Address FFFFFFFD2C

Figure 15-2. Write Control Register (WCTRL)


LEGEND: R/W = Read/Write; R = Read only; -n = value after reset

Table 15-6. Write Control Register (WCTRL) Register Field Descriptions

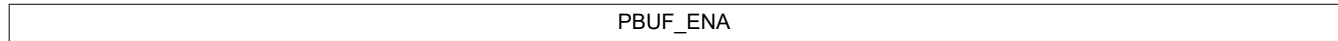
Bit	Field	Type	Reset	Description
1	TRAIL_OVR	R/W	0	Write trailing wait state override. 0 = At least one trailing wait state (Default) 1 = TRAIL sets trailing wait states
0	WBUF_ENA	R/W	0	Write buffer enable. When this bit is 1, the memory controller latches the data and control signals in the first cycle for write operations to the memories and peripherals on the expansion bus and lets the CPU perform other operations. However, the CPU starts a wait state if there is another request before the memory controller finishes. 0 = Write buffer disabled (Disabled) 1 = Write buffer enabled

15.1.3 Peripheral Control Register (PCTRL)

Address FFFFFFFD30

Figure 15-3. Peripheral Control Register (PCTRL)

0



R/W-0

LEGEND: R/W = Read/Write; R = Read only; -n = value after reset

Table 15-7. Peripheral Control Register (PCTRL) Register Field Descriptions

Bit	Field	Type	Reset	Description
0	PBUF_ENA	R/W	0	Write buffer enable. When this bit is set to 1, the memory controller latches the data and control signals in the first cycle for write operations to the memories and peripherals on the expansion bus and lets the CPU perform other operations. However, the CPU starts a wait state if there is another request before the memory controller finishes. 0 = Write buffer disabled (Default) 1 = Write buffer enabled

15.1.4 Peripheral Location Register (PLOC)

Address FFFFFFFD34

Figure 15-4. Peripheral Location Register (PLOC)

15

0



R/W-0000 0000 0000 0000

LEGEND: R/W = Read/Write; R = Read only; -n = value after reset

Table 15-8. Peripheral Location Register (PLOC) Register Field Descriptions

Bit	Field	Type	Reset	Description
15-0	LOC	R/W	0000 0000 0000 0000	These 16 bits represent the peripheral location bits, which correspond to each of the 16 peripheral selects. 0 = Peripheral is internal (Default) 1 = Peripheral is external

15.1.5 Peripheral Protection Register (PPROT)

Address FFFFFFFD38

Figure 15-5. Peripheral Protection Register (PPROT)

15

0



R/W-0000 0000 0000 0000

LEGEND: R/W = Read/Write; R = Read only; -n = value after reset

Table 15-9. Peripheral Protection Register (PPROT) Register Field Descriptions

Bit	Field	Type	Reset	Description
15-0	PROT	R/W	0000 0000 0000 0000	These 16 bits represent the peripheral protection bits, which correspond to each of the 16 peripheral selects. 0 = Peripheral is accessible in all modes (Default) 1 = Peripheral is accessible in privilege mode only

15.2 DEC – Address Manager Registers Reference

The DEC generates the memory selects and SAR peripheral select signals by decoding the address and control signals from the ARM processor. In addition, the DEC provides the control signals for the Program and Data Flash.

The assigned memory selects for UCD3138 are as follows:

Memory Select 0 => Boot ROM (1Kx32)

Memory Select 1 => Program Flash (8Kx32)

Memory Select 2 => Data Flash (512x32)

Memory Select 3 => Data RAM (1Kx32)

Memory Select 4 => Loop Mux (1Kx32)

Memory Select 5 => Fault Mux (1Kx32)

Memory Select 6 => ADC12 Control (1Kx32)

Memory Select 7 => DPWM3 (1Kx32)

Memory Select 8 => Filter 2 (1Kx32)

Memory Select 9 => DPWM 2 (1Kx32)

Memory Select 10 => Front End Control 2 (1Kx32)

Memory Select 11 => Filter 1 (1Kx32)

Memory Select 12 => DPWM 1 (1Kx32)

Memory Select 13 => Front End Control 1 (1Kx32)

Memory Select 14 => Filter 0 (1Kx32)

Memory Select 15 => DPWM 0 (1Kx32)

Memory Select 16 => Front End Control 0 (1Kx32)

Memory Select 17 => Program Flash 1(8Kx32) – Not in UCD3138, in all other devices

Memory Select 18 => Program Flash 2(8Kx32) - Only in 3138128

Memory Select 19 => Program Flash 3(8Kx32) - Only in 3138128

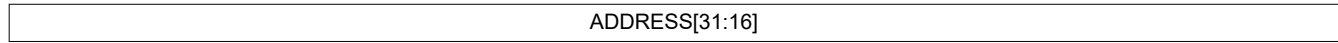
15.2.1 Memory Fine Base Address High Register 0 (MFBAHR0)

Address FFFFFFFE00

Figure 15-6. Memory Fine Base Address High Register 0 (MFBAHR0)

15

0



R/W-0000 0000 0000 0000

LEGEND: R/W = Read/Write; R = Read only; -n = value after reset

Table 15-10. Memory Fine Base Address High Register 0 (MFBAHR0) Register Field Descriptions

Bit	Field	Type	Reset	Description
15-0	ADDRESS[31:16]]	R/W	0000 0000 0000 0000	16 Most Significant Bits of the Base Address. The Base Address sets the 22 most significant bits of the memory address.

15.2.2 Memory Fine Base Address Low Register 0 (MFBALR0)

Address FFFFEE04

Figure 15-7. Memory Fine Base Address Low Register 0 (MFBALR0)

15	10	8	7	4	1	0
ADDRESS[15:10]		MS	BLOCK_SIZE		RONLY	PRIV
R/W-00 0000		R/W-0	R/W-0000		R/W-0	R/W-0

LEGEND: R/W = Read/Write; R = Read only; -n = value after reset

Table 15-11. Memory Fine Base Address Low Register 0 (MFBALR0) Register Field Descriptions

Bit	Field	Type	Reset	Description
15-10	ADDRESS[15:10]	R/W	000000	6 Least Significant Bits of the Base Address. The Base Address sets the 22 most significant bits of the memory address.
8	MS	R/W	0	Memory Map Select 0 = Memory Map configuration not updated (Default) 1 = Enables the fine and coarse memory selects and activates the memory map
7-4	BLOCK_SIZE	R/W	0000	Configures the size of the memory 0000 = Memory select is disabled (Default) 0001 = 1KB 0010 = 2KB 0011 = 4KB 0100 = 8KB 0101 = 16KB 0110 = 32KB 0111 = 64KB 1000 = 128KB 1001 = 256KB 1010 = 512KB 1011 = 1MB 1100 = 2MB 1101 = 4MB 1110 = 8MB 1111 = 16MB
1	RONLY	R/W	0	Read-only protection. This bit sets read-only protection for the memory selected by the memory select. An illegal access exception is generated when a write is attempted to the memory. 0 = Read/write access to memory (Default) 1 = Read accesses to memory only
0	PRIV	R/W	0	Privilege mode protection. This bit sets privilege mode protection for the memory Registration selected by the memory select. An illegal access exception is generated on any access to memory protected by privilege mode. 0 = User/privilege mode accesses to memory (Default) 1 = Privilege mode accesses to memory only

15.2.3 1.1.1 Memory Fine Base Address High Register 1-3,17-19 (MFBHRx)

Address FFFFFFFE08 – Memory Fine Base Address High Register 1

Address FFFFFFFE10 – Memory Fine Base Address High Register 2

Address FFFFFFFE18 – Memory Fine Base Address High Register 3

Address FFFFFFFE88 – Memory Fine Base Address High Register 17 (not on 3138)

Address FFFFFFFEA8 – Memory Fine Base Address High Register 18 (only on '128)

Address FFFFFFFEB0 – Memory Fine Base Address High Register 19 (only on '128)

ADDRESS[31:16]

R/W
Power Up-0000 0000 0000 0000
ROM Mode-0000 0000 0000 0100
Flash 0-0000 0000 0000 0000
Flash 1-0000 0000 0000 0001

LEGEND: R/W = Read/Write; R = Read only; -n = value after reset

ADDRESS[31:16]

R/W
Power Up-0000 0000 0000 0000
ROM and Flash Modes-0000 0000 0000 0110

LEGEND: R/W = Read/Write; R = Read only; -n = value after reset

ADDRESS[31:16]

R/W
Power Up-0000 0000 0000 0000
ROM Mode-0000 0000 0000 0101
Flash 0-0000 0000 0000 0001
Flash 1-0000 0000 0000 0000

LEGEND: R/W = Read/Write; R = Read only; -n = value after reset

Figure 15-8. Memory Fine Base Address High Register 1-3,17-19 (MFBHRx)

15

0

ADDRESS[31:16]

R/W-0000 0000 0000 0000

LEGEND: R/W = Read/Write; R = Read only; -n = value after reset

Table 15-12. Memory Fine Base Address High Register 1-3, 17-19 (MFBHRx) Register Field Descriptions

Bit	Field	Type	Reset	Description
15-0	ADDRESS[31:16]	R/W	0000 0000 0000 0000	16 Most Significant Bits of the Base Address. The Base Address sets the 22 most significant bits of the memory address.

LEGEND: R/W = Read/Write; R = Read only; -n = value after reset

Table 15-13. Memory Fine Base Address Low Register 1-3, 17-19 (MFBALRx) Register Field Descriptions

Bit	Field	Type	Reset	Description
15-10	ADDRESS[15:10]	R/W	000000	6 Least Significant Bits of the Base Address. The Base Address sets the 22 most significant bits of the memory address.
9	AW	R/W	0	Auto-wait-on-write. When this bit is set, any write operation on this memory select takes two system cycles. 0 = Write operation is not supplemented with an additional cycle (Default) 1 = Write operation takes an additional cycle
7-4	BLOCK_SIZE	R/W	0000	Configures the size of the memory 0000 = Memory select is disabled (Default) 0001 = 1KB 0010 = 2KB 0011 = 4KB 0100 = 8KB 0101 = 16KB 0110 = 32KB 0111 = 64KB 1000 = 128KB 1001 = 256KB 1010 = 512KB 1011 = 1MB 1100 = 2MB 1101 = 4MB 1110 = 8MB 1111 = 16MB
1	RONLY	R/W	0	Read-only protection. This bit sets read-only protection for the memory selected by the memory select. An illegal access exception is generated when a write is attempted to the memory. 0 = Read/write access to memory (Default) 1 = Read accesses to memory only
0	PRIV	R/W	0	Privilege mode protection. This bit sets privilege mode protection for the memory Registration selected by the memory select. An illegal access exception is generated on any access to memory protected by privilege mode. 0 = User/privilege mode accesses to memory (Default) 1 = Privilege mode accesses to memory only

15.2.5 Memory Fine Base Address High Load Differences for Enhanced 3138 Devices

These tables show the values loaded into the registers in the UCD3138. To make room for additional Program Flash in the UCD3138064 and other devices with more program flash, the registers have an additional bit set that moves the peripherals to start at 0x120000 instead of at 0x20000.

15.2.6 Memory Fine Base Address High Register 4 (MFBAHR4)

Address FFFFE20 – Memory Fine Base Address High Register 4

Figure 15-10. Memory Fine Base Address High Register 4 (MFBAHR4)

15

0



R/W-0000 0000 0000 0010

LEGEND: R/W = Read/Write; R = Read only; -n = value after reset

Table 15-14. Memory Fine Base Address High Register 4 (MFBAHR4) Register Field Descriptions

Bit	Field	Type	Reset	Description
15-0	ADDRESS[31:16]	R/W	0000 0000 0000 0010	16 Most Significant Bits of the Base Address. The Base Address sets the 22 most significant bits of the memory address.

15.2.7 Memory Fine Base Address Low Register 4-16 (MFBALRx)

Address FFFFFE24 – Memory Fine Base Address Low Register 4

Address FFFFFE2C – Memory Fine Base Address Low Register 5

Address FFFFFE34 – Memory Fine Base Address Low Register 6

Address FFFFFE3C – Memory Fine Base Address Low Register 7

Address FFFFFE44 – Memory Fine Base Address Low Register 8

Address FFFFFE4C – Memory Fine Base Address Low Register 9

Address FFFFFE54 – Memory Fine Base Address Low Register 10

Address FFFFFE5C – Memory Fine Base Address Low Register 11

Address FFFFFE64 – Memory Fine Base Address Low Register 12

Address FFFFFE6C – Memory Fine Base Address Low Register 13

Address FFFFFE74 – Memory Fine Base Address Low Register 14

Address FFFFFE7C – Memory Fine Base Address Low Register 15

Address FFFFFE84 – Memory Fine Base Address Low Register 16

Figure 15-11. Memory Fine Base Address Low Register 4-16 (MFBALRx)

15	10	9	8	2	1	0	
ADDRESS[15:10]		AW	Reserved			RONLY	PRIV
R/W-00 0000		R/W-0	R/W-000 0000			R/W-0	R/W-0

LEGEND: R/W = Read/Write; R = Read only; -n = value after reset

Table 15-15. Memory Fine Base Address Low Register 4-17 (MFBALRx) Register Field Descriptions

Bit	Field	Type	Reset	Description
15-10	ADDRESS[15:10]	R/W	00 0000	6 Least Significant Bits of the Base Address. The Base Address sets the 22 most significant bits of the memory address.
9	AW	R/W	0	Auto-wait-on-write. When this bit is set, any write operation on this memory select takes two system cycles. 0 = Write operation is not supplemented with an additional cycle (Default) 1 = Write operation takes an additional cycle
8-2	Reserved	R/W	000 0000	
1	RONLY	R/W	0	Read-only protection. This bit sets read-only protection for the memory selected by the memory select. An illegal access exception is generated when a write is attempted to the memory. 0 = Read/write access to memory (Default) 1 = Read accesses to memory only
0	PRIV	R/W	0	Privilege mode protection. This bit sets privilege mode protection for the memory Registration selected by the memory select. An illegal access exception is generated on any access to memory protected by privilege mode. 0 = User/privilege mode accesses to memory (Default) 1 = Privilege mode accesses to memory only

15.2.8 Memory Fine Base Address High Register 5 (MFBAHR5)

Address FFFFE28 – Memory Fine Base Address High Register 5

Figure 15-12. Memory Fine Base Address High Register 5 (MFBAHR5)

15

0

ADDRESS[31:16]

R/W-0000 0000 0000 0011

LEGEND: R/W = Read/Write; R = Read only; -n = value after reset

Table 15-16. Memory Fine Base Address High Register 5 (MFBAHR5) Register Field Descriptions

Bit	Field	Type	Reset	Description
15-0	ADDRESS[31:16]	R/W	0000 0000 0000 0011	16 Most Significant Bits of the Base Address. The Base Address sets the 22 most significant bits of the memory address.

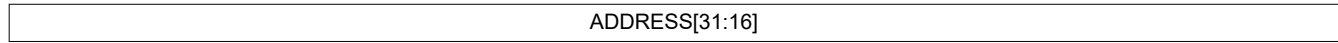
15.2.9 Memory Fine Base Address High Register 6 (MFBAHR6)

Address FFFFFFFE30 – Memory Fine Base Address High Register 6

Figure 15-13. Memory Fine Base Address High Register 6 (MFBAHR6)

15

0



R/W-0000 0000 0000 0100

LEGEND: R/W = Read/Write; R = Read only; -n = value after reset

Table 15-17. Memory Fine Base Address High Register 6 (MFBAHR6) Register Field Descriptions

Bit	Field	Type	Reset	Description
15-0	ADDRESS[31:16]	R/W	0000 0000 0000 0100	16 Most Significant Bits of the Base Address. The Base Address sets the 22 most significant bits of the memory address.

15.2.10 Memory Fine Base Address High Register 7 (MFBAHR7)

Address FFFF38 – Memory Fine Base Address High Register 7

Figure 15-14. Memory Fine Base Address High Register 7 (MFBAHR7)

15

0

ADDRESS[31:16]

R/W-0000 0000 0000 0101

LEGEND: R/W = Read/Write; R = Read only; -n = value after reset

Table 15-18. Memory Fine Base Address High Register 7 (MFBAHR7) Register Field Descriptions

Bit	Field	Type	Reset	Description
15-0	ADDRESS[31:16]	R/W	0000 0000 0000 0101	16 Most Significant Bits of the Base Address. The Base Address sets the 22 most significant bits of the memory address.

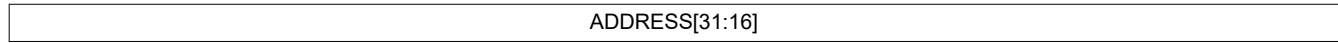
15.2.11 Memory Fine Base Address High Register 8 (MFBAHR8)

Address FFFFE40 – Memory Fine Base Address High Register 8

Figure 15-15. Memory Fine Base Address High Register 8 (MFBAHR8)

15

0



R/W-0000 0000 0000 0110

LEGEND: R/W = Read/Write; R = Read only; -n = value after reset

Table 15-19. Memory Fine Base Address High Register 8 (MFBAHR8) Register Field Descriptions

Bit	Field	Type	Reset	Description
15-0	ADDRESS[31:16]	R/W	0000 0000 0000 0110	16 Most Significant Bits of the Base Address. The Base Address sets the 22 most significant bits of the memory address.

15.2.12 Memory Fine Base Address High Register 9 (MFBHR9)

Address FFFFE48 – Memory Fine Base Address High Register 9

Figure 15-16. Memory Fine Base Address High Register 9 (MFBHR9)

15

0

ADDRESS[31:16]

R/W-0000 0000 0000 0111

LEGEND: R/W = Read/Write; R = Read only; -n = value after reset

Table 15-20. Memory Fine Base Address High Register 9 (MFBHR9) Register Field Descriptions

Bit	Field	Type	Reset	Description
15-0	ADDRESS[31:16]	R/W	0000 0000 0000 0111	16 Most Significant Bits of the Base Address. The Base Address sets the 22 most significant bits of the memory address.

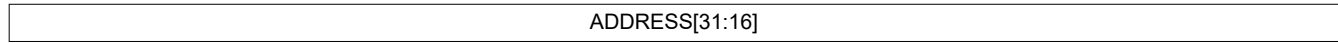
15.2.13 Memory Fine Base Address High Register 10 (MFBAHR10)

Address FFFFFFFE50 – Memory Fine Base Address High Register 10

Figure 15-17. Memory Fine Base Address High Register 10 (MFBAHR10)

15

0



R/W-0000 0000 0000 1000

LEGEND: R/W = Read/Write; R = Read only; -n = value after reset

Table 15-21. Memory Fine Base Address High Register 10 (MFBAHR10) Register Field Descriptions

Bit	Field	Type	Reset	Description
15-0	ADDRESS[31:16]	R/W	0000 0000 0000 1000	16 Most Significant Bits of the Base Address. The Base Address sets the 22 most significant bits of the memory address.

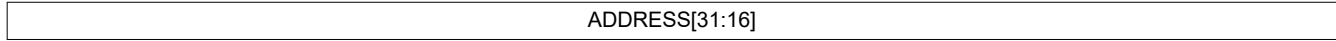
15.2.14 Memory Fine Base Address High Register 11 (MFBAHR11)

Address FFFFE58 – Memory Fine Base Address High Register 11

Figure 15-18. Memory Fine Base Address High Register 11 (MFBAHR11)

15

0



R/W-0000 0000 0000 1001

LEGEND: R/W = Read/Write; R = Read only; -n = value after reset

Table 15-22. Memory Fine Base Address High Register 11 (MFBAHR11) Register Field Descriptions

Bit	Field	Type	Reset	Description
15-0	ADDRESS[31:16]	R/W	0000 0000 0000 1001	16 Most Significant Bits of the Base Address. The Base Address sets the 22 most significant bits of the memory address.

15.2.15 Memory Fine Base Address High Register 12 (MFBAHR12)

Address FFFFFFFE60 – Memory Fine Base Address High Register 12

Figure 15-19. Memory Fine Base Address High Register 12 (MFBAHR12)

15

0



R/W-0000 0000 0000 1010

LEGEND: R/W = Read/Write; R = Read only; -n = value after reset

Table 15-23. Memory Fine Base Address High Register 12 (MFBAHR12) Register Field Descriptions

Bit	Field	Type	Reset	Description
15-0	ADDRESS[31:16]	R/W	0000 0000 0000 1010	16 Most Significant Bits of the Base Address. The Base Address sets the 22 most significant bits of the memory address.

15.2.16 Memory Fine Base Address High Register 13 (MFBAHR13)

Address FFFFFFFE68 – Memory Fine Base Address High Register 13

Figure 15-20. Memory Fine Base Address High Register 13 (MFBAHR13)

15

0

ADDRESS[31:16]

R/W-0000 0000 0000 1011

LEGEND: R/W = Read/Write; R = Read only; -n = value after reset

Table 15-24. Memory Fine Base Address High Register 13 (MFBAHR13) Register Field Descriptions

Bit	Field	Type	Reset	Description
15-0	ADDRESS[31:16]	R/W	0000 0000 0000 1011	16 Most Significant Bits of the Base Address. The Base Address sets the 22 most significant bits of the memory address.

15.2.17 Memory Fine Base Address High Register 14 (MFBAHR14)

Address FFFFFFFE70 – Memory Fine Base Address High Register 14

Figure 15-21. Memory Fine Base Address High Register 14 (MFBAHR14)

15

0



R/W-0000 0000 0000 1100

LEGEND: R/W = Read/Write; R = Read only; -n = value after reset

Table 15-25. Memory Fine Base Address High Register 14 (MFBAHR14) Register Field Descriptions

Bit	Field	Type	Reset	Description
15-0	ADDRESS[31:16]	R/W	0000 0000 0000 1100	16 Most Significant Bits of the Base Address. The Base Address sets the 22 most significant bits of the memory address.

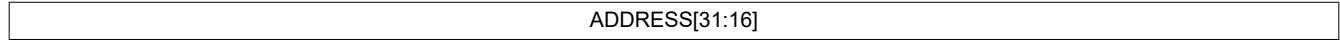
15.2.18 Memory Fine Base Address High Register 15 (MFBAHR15)

Address FFFFFFFE78 – Memory Fine Base Address High Register 15

Figure 15-22. Memory Fine Base Address High Register 15 (MFBAHR15)

15

0



R/W-0000 0000 0000 1101

LEGEND: R/W = Read/Write; R = Read only; -n = value after reset

Table 15-26. Memory Fine Base Address High Register 15 (MFBAHR15) Register Field Descriptions

Bit	Field	Type	Reset	Description
15-0	ADDRESS[31:16]	R/W	0000 0000 0000 1101	16 Most Significant Bits of the Base Address. The Base Address sets the 22 most significant bits of the memory address.

15.2.19 Memory Fine Base Address High Register 16 (MFBAHR16)

Address FFFFFFFE80 – Memory Fine Base Address High Register 16

Figure 15-23. Memory Fine Base Address High Register 16 (MFBAHR16)

15

0

ADDRESS[31:16]

R/W-0000 0000 0000 1110

LEGEND: R/W = Read/Write; R = Read only; -n = value after reset

Table 15-27. Memory Fine Base Address High Register 16 (MFBAHR16) Register Field Descriptions

Bit	Field	Type	Reset	Description
15-0	ADDRESS[31:16]	R/W	0000 0000 0000 1110	16 Most Significant Bits of the Base Address. The Base Address sets the 22 most significant bits of the memory address.

15.2.20 Program Flash Control Register (PFLASHCTRL)

Table 15-28. PFLASHCTRL Addresses

Part Number	Addresses
3138	FFFFFFE90
3138064	FFFFFFE90 (PFLASHCTRL_1)
3138A64	FFFFFFE9C (PFLASHCTRL_2)
	FFFFFFE90 (PFLASHCTRL_0)
	FFFFFFE9C (PFLASHCTRL_1)
3138128	FFFFFFE90 (PFLASHCTRL_0)
	FFFFFFE9C (PFLASHCTRL_1)
	FFFFFFEA0 (PFLASHCTRL_2)
	FFFFFFEA4 (PFLASHCTRL_3)

Figure 15-24. Program Flash Control Register (PFLASHCTRL)

11	10	9	8	7	5	4	0
BUSY	Reserved	PAGE_ERASE	MASS_ERASE	Reserved		PAGE_SEL	
R-0	R-0	R/W-0	R/W-0	R-000		R-00000	

LEGEND: R/W = Read/Write; R = Read only; -n = value after reset

Table 15-29. Program Flash Control Register (PFLASHCTRL) Register Field Descriptions

Bit	Field	Type	Reset	Description
11	BUSY	R	0	Program Flash Busy Indicator 0 = Program Flash available for read/write/erase access 1 = Program Flash unavailable for read/write/erase access
10	Reserved	R	0	
9	PAGE_ERASE	R/W	0	Program Flash Page Erase Enable 0 = No Page Erase initiated on Program Flash (Default) 1 = Page Erase on Program Flash enabled. Page erased is based on PAGE_SEL (Bits 4-0). Interlock Key must be set in Program Flash Interlock Register (Section 16.1.8) to initiate Page Erase cycle. This bit is cleared upon completion of Page Erase cycle.
8	MASS_ERASE	R/W	0	Program Flash Mass Erase Enable 0 = No Mass Erase initiated on Program Flash (Default) 1 = Mass Erase of Program Flash enabled. Interlock Key must be set in Program Flash Interlock Register (Section 16.1.8) to initiate Mass Erase cycle. This bit is cleared upon completion of Mass Erase cycle.
7-5	Reserved	R	000	
4-0	PAGE_SEL	R	00000	Selects page to be erased during Page Erase Cycle

15.2.21 Data Flash Control Register (DFLASHCTRL)

Address FFFFFFFE94

Figure 15-25. Data Flash Control Register (DFLASHCTRL)

11	10	9	8	7	6	5	0
BUSY	Reserved	PAGE_ERASE	MASS_ERASE	Reserved		PAGE_SEL	
R-0	R-0	R/W-0	R/W-0	R-0		R/W-000000	

LEGEND: R/W = Read/Write; R = Read only; -n = value after reset

Table 15-30. Data Flash Control Register (DFLASHCTRL) Register Field Descriptions

Bit	Field	Type	Reset	Description
11	BUSY	R	0	Data Flash Busy Indicator 0 = Data Flash available for read/write/erase access 1 = Data Flash unavailable for read/write/erase access
10	Reserved	R	0	
9	PAGE_ERASE	R/W	0	Data Flash Page Erase Enable 0 = No Page Erase initiated on Data Flash (Default) 1 = Page Erase Cycle on Data Flash enabled. Page erased is based on PAGE_SEL (Bits 4-0). This bit is cleared upon completion of Page Erase cycle.
8	MASS_ERASE	R/W	0	Data Flash Mass Erase Enable 0 = No Mass Erase initiated on Data Flash (Default) 1 = Mass Erase of Data Flash enabled. Bit is cleared upon completion of mass erase.
7-6	Reserved	R	0	
5-0	PAGE_SEL	R/W	000000	Selects page to be erased during Page Erase Cycle

15.2.22 Flash Interlock Register (FLASHILOCK)

Address FFFFFFFE98

Figure 15-26. Flash Interlock Register (FLASHILOCK)

31

0



R/W-0000 0000 0000 0000 0000 0000 0000 0000

LEGEND: R/W = Read/Write; R = Read only; -n = value after reset

Table 15-31. Flash Interlock Register (FLASHILOCK) Register Field Descriptions

Bit	Field	Type	Reset	Description
31-0	INTERLOCK_KEY	R/W	0000 0000 0000 0000 0000 0000 0000 0000 0000	Flash Interlock Key. Register must be set to: 0x42DC157E prior to every Data Flash write/mass erase/page erase or 0x42DC157E prior to every Program Flash#0 write/mass erase/page erase or 0x6C97D0C5 prior to every Program Flash#1 write/mass erase/page erase or 0x184219B3 prior to every Program Flash#2 write/mass erase/page erase or 0x5973EF21 prior to every Program Flash#3 write/mass erase/page erase. If the Interlock Key is not set, the write/erase cycle to the Flash will not initiate. This register will clear upon the completion of a write/erase cycle to the Flash modules.



The System Module:

- Enables and sets memory addresses for all memory mapped items
- Controls write and erase of flash memory
- Provides control and monitoring of the interrupt signals from the peripherals
- Controls clocks, software interrupts, system exceptions

The blocks inside the system module are the address decoder (DecRegs), memory control (MMCREgs), system management (SysRegs), and central interrupt (CimRegs).

16.1 Address Decoder (DEC)	517
16.2 Memory Management Controller (MMC)	522
16.3 System Management (SYS)	522
16.4 Central Interrupt Module (CIM)	522
16.5 SYS – System Module Registers Reference	528

16.1 Address Decoder (DEC)

The Address Decoder generates the memory selects for Flash, ROM and RAM arrays. The memory map addresses are selectable through configurable register settings for low and high boundaries. These fine memory selects can be configured from 1K to 16M sizes. Power on reset uses the default addresses in the memory map for ROM execution, which is then configured by the ROM code to the application setup. During access to the DEC registers, a wait state is asserted to the CPU. DEC registers are only writable in the Privilege mode for user mode protection.

The DEC Address Manager controls memory mapping and flash programming. All memory mapping activity is normally done by the boot ROM. This is described in this document. This information is only useful if there is some need to return to ROM mode without going through a reset first.

There may be a need for customer programs to erase and program both Program and Data Flash, so this is discussed in some detail.

16.1.1 Memory Mapping Basics

There are 4 memory address spaces in the UCD3138. Each memory space has a pair of registers to set its address and block size:

Register Number	Memory	Size in Bytes	Address at Reset	Address in ROM Mode	Address in Flash Mode
0	Boot ROM	4K	Most of space	0x0000 0000 - 0x0000 FFFF	0x0000 A000 - 0x0000 AFFF
1	Program Flash	32K	-	0x0001 0000 - 0x0001 7FFFF	0x0000 0000 - 0x0000 7FFFF
2	Data Flash	2K	-	0x0001 8800 - 0x0001 8FFF	
3	RAM	4K	-	0x0001 9000 - 0x0001 9FFF	

There are additional memory map registers for fast peripherals, but these are never moved. In addition, several peripheral register sets, including the System Module, are located at fixed locations in high memory. All of these memory locations are given in the reference sections for each register.

[Figure 16-1](#) illustrates where memory is mapped at device reset, in ROM Mode, and in Flash Mode:

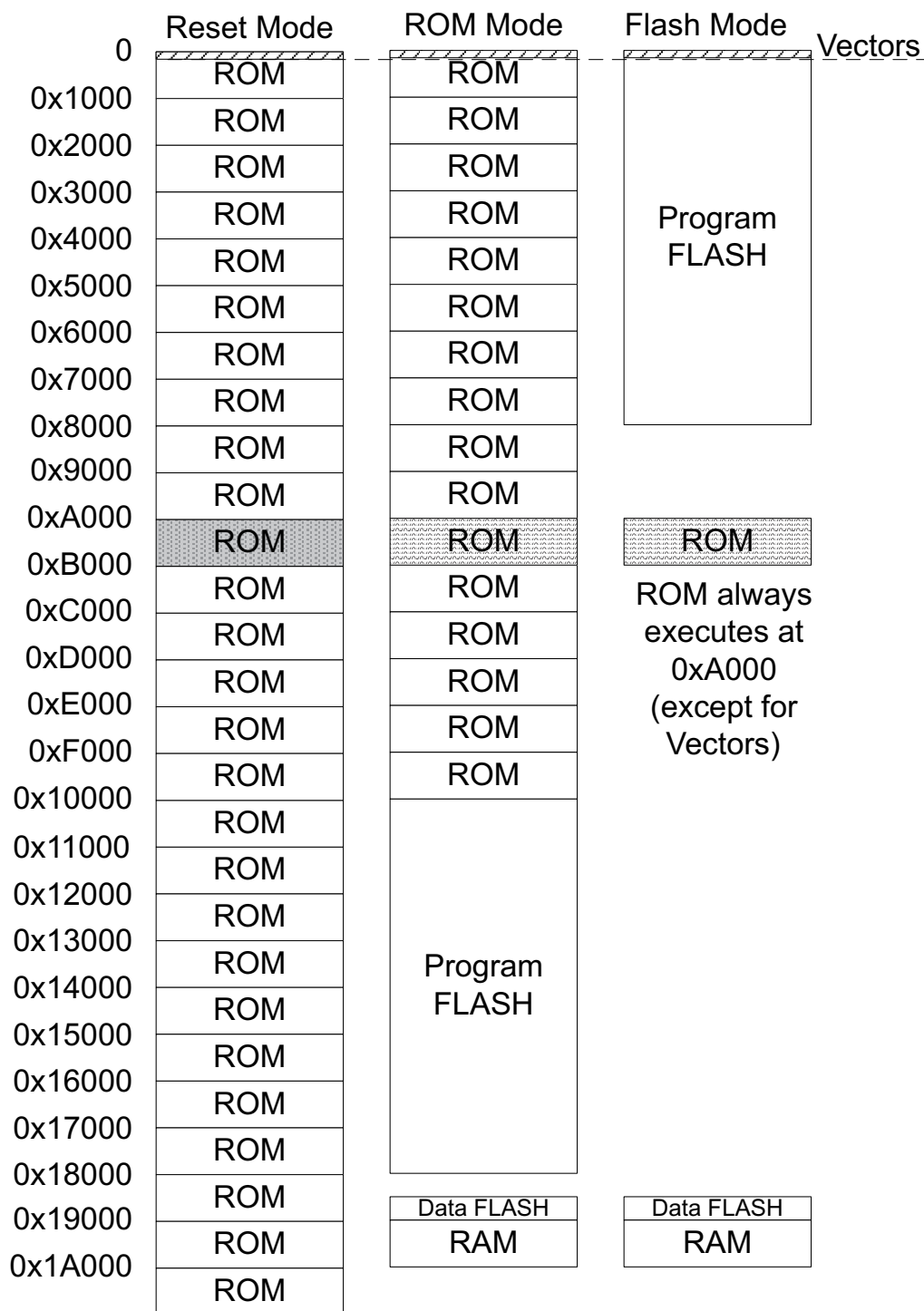


Figure 16-1.

16.1.2 Why Change Memory Map?

The memory map changes primarily because the vectors – for reset, interrupts, and faults – are located starting at location 0 in memory. When the UCD3138 powers up, the ROM needs to control the vectors. When the memory is configured, but the ROM is still executing, the ROM still needs to control the vectors.

Then when control is handed over to the customer program in FLASH, the vectors need to be assigned by the customer for most efficient execution.

16.1.3 How do Memory Map Registers Work?

Two registers, the Memory Fine Base Address High Register, and the Memory Fine Base Address Low Register, combine to provide a start address for the memory block.

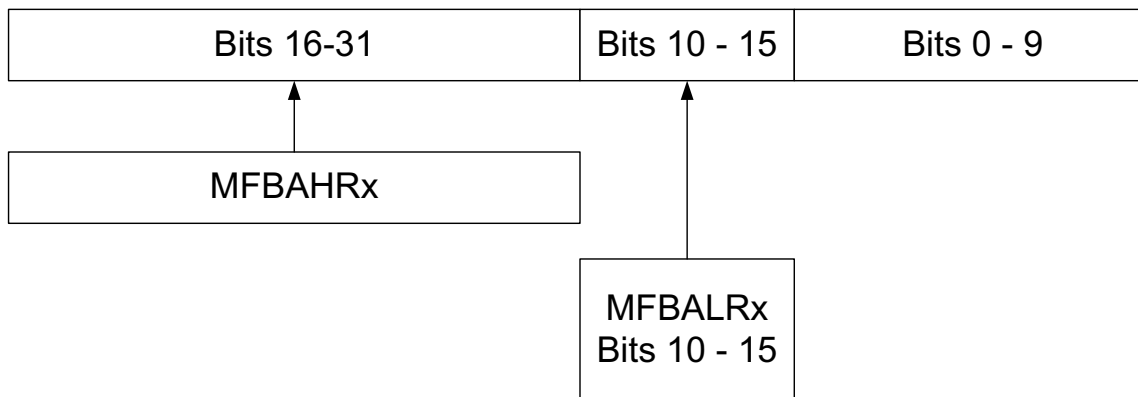


Figure 16-2. Base Address

The Block Size field in the Memory Fine Base Address Register Low determines the size of the area for the memory block. The possible sizes range from 1KB, represented by a 1 in BLOCK_SIZE, to 16MB, represented by a 0xF. A zero in BLOCK_SIZE disables that memory from ever being selected.

To calculate the address provided by the MBBALRx, multiply it by 4 and include it in bits 8 to 15. For example, a 0x22 translates to 0x8800. A 0x24 translates to a 0x9000. There are other bits as well, for example an RONLY bit signifying that the memory is read only.

There is also a MS (for Memory Select) bit in only MFBALR0, which enables the entire DEC module. DEC stands for Memory Address DECode.

16.1.4 RONLY Bit

The DEC register has an RONLY bit as well. If set, this means “read only”. An attempt to write to a memory space with the RONLY bit set will cause an illegal access exception, which will normally reset the processor. This bit may be set to cause device reset if the program runs away either due to a program bug or an input glitch.

16.1.5 Boot ROM Memory Initialization

When the UCD3138 powers up, the ROM is the only memory in the entire memory space. The peripherals are also present at the extreme high end of the memory space. The ROM image is repeated throughout the rest of the memory. The reset vector at location 0 in memory is accessed by the first instruction fetch of the CPU.

This instruction is a branch to the ROM entry point, aimed at the ROM image starting at address 0xa000. This is done because eventually the ROM will be mapped to 0xa000 to 0xaaff only. If the program counter is already pointing there, there is no discontinuity when the address is changed.

First in the ROM program, the three address register pairs for the other memories are changed.

Memory Fine Base Address High Registers 1-3 (MFBAHRx) are all loaded with a 1. This register provides bits 16 – 31 of the address for the device, so all of the memories will be mapped to 0x1xxxx.

The Memory Fine Base Address Low Registers 1 – 3 (MFBALRx) are loaded as follows:

- MFBALR1 – The BLOCK_SIZE field is loaded with a 6. This means that the Program Flash is at 0x10000, and is 32KB long.
- MFBALR2 – BLOCK_SIZE = 2, ADDRESS = 0x22 – Data flash = 2KB at 0x18800
- MFBALR3 – BLOCK_SIZE = 3, ADDRESS = 0x24 – RAM = 4KB at 0x19000.

Now that the other memories are mapped, the ROM is moved to fill the entire 64K space starting at zero. This is done at this point so that the ROM can still control the interrupt vectors at 0, all the other memories can be read and written, and the ROM can still execute at 0xA000.

This is done by modifying the MFBALR0 register, which controls the ROM address, and also enables the memory map.

MFBALR0 – BLOCK_SIZE = 7, RONLY = 1, MS = 1. (ADDRESS is left at 0)

This does all that is described above, as well as making it a fault if the program attempts to write to the ROM. All of the statements above are shorthand descriptions, not C code. In fact, to save space in the ROM a single constant is written to each register, with all the bit fields properly placed in it.

After the memory map is initialized in this pattern, the ROM program performs a simple additive checksum on the Program Flash. If the checksum matches, the ROM program then reconfigures the memory map and jumps to location zero in the flash.

There is also a PMBus command that can command the ROM program to do the same thing.

This reconfiguration involves two steps:

1. Remap the ROM to 0xA000 only
2. Remap the Program Flash to location 0

So the memory map when the Program Flash is running is:

Memory	Start	End
Program Flash	0	0x7FFF
ROM	0xA000	0xAFFF
Data flash	0x18800	0x18FFF
Program Flash	0x19000	0x19FFF

There should be no need to modify any of the memory base address registers. In fact it is highly recommended against modifying them because it is very easy to cause a fault which will cause the CPU to be reset.

16.1.6 Erasing the Programming Flash

There will be frequent need for programming data Flash memory, for changing default values, for calibration, and for data logging. Program flash modification is much more difficult, and less likely to be needed.

Note that all flash operations other than read involve considerable delay. Erase delays, especially, can be several milliseconds. Consult UCD3138 datasheet for specific delay information.

16.1.7 Waiting for Flash Operations to Finish

All flash modifications take more than one instruction cycle to complete. Both flash control registers have a BUSY bit that should be checked to verify that no flash process is already underway.

16.1.8 Flash Interlock Register

All operations which modify flash must be started by writing a value to the FLASHLOCK register.

```
DecRegs.FLASHLOCK.a11 = 0x42dc157e;
```

This is done to prevent flash corruption from unexpected events.

Note that with multiple flash blocks, there are different keys for each additional flash block: 0x42DC157E for data and program flash 0, 0x6C97D0C5 for program flash 1, 0x184219B3 for program flash 2, and 0x5973EF21 for program flash 3.

16.1.9 Clearing RDONLY Bit

Each Memory Fine Base Address Low Register (MFBALR) register has a RDONLY bit. If this bit is set and a write is attempted to that memory, an illegal access exception will be created. To avoid this, it may be necessary to clear the RDONLY bit before writing to data or program flash.

16.1.10 Switching from User Mode to Supervisor Mode

The firmware program in UCD3138 EVM tools run in User mode. This is an additional protection against unforeseen events in the program. Among other things, writing to any DEC register in user mode will cause a processor reset. So before doing any flash write, it is necessary to switch to supervisor mode. This is normally done by issuing a software interrupt. Examples can be found in the reference source code for UCD3138 EVMs.

16.1.11 Erasing Data Flash

Data flash and Program Flash have separate flash programming circuitry, so it is possible to operate on data flash while executing from program flash. It is not possible to read from data flash while writing or erasing data flash, however. So all values that will be needed during erase/write process should be stored in RAM or program Flash.

The UCD3138 has 2048 bytes of Data flash organized in 64 blocks of 32 bytes each. Erasing can be done a block at a time. To erase a block, first write the key to the FLASHLOCK register. Then simply write to the Data Flash Control Register (DFLASHCTRL) with the block number in the low 6 bits (PAGE_SEL) and a 1 in bit 9 (PAGE_ERASE).

Then wait for the BUSY bit in the same register to go low before doing any other Data Flash Operation.

To erase the entire Data Flash, write the key, and then write to DFLASHCTRL with bit 8 (MASS_ERASE) set. The Busy wait is required for a mass erase as well.

Erasing Data Flash (or Program Flash) sets all the bits in the Flash locations.

16.1.12 Writing to Data Flash

Data flash should be written to in 4 byte words. Writing to Data Flash is very simple. Write the key to FLASHLOCK and then just write to the location. It is then necessary to monitor the BUSY bit in order to determine when the write is done. If the RDONLY bit in MFBALR2 is set, it will be necessary to clear it before the write.

On many flashes, it is possible to write multiple times to the same location without an erase, so long as more bits are being cleared. On the Data Flash on the UCD3138 family this is not the case. There is additional correction logic and additional flash bits to permit correction of a single bit error in Data Flash. Trying multiple writes to the same location without an erase in between will have unpredictable results because of this.

16.1.13 Erasing Program Flash

Erasing Program Flash is exactly the same as the procedure for Data Flash, above, except that Program Flash is divided into 32 pages of 1024 bytes each. Of course a different register is used, the PFLASHCTRL register.

The other issue with Erasing Program Flash is that this is the normal location for programs to run, and it is not possible to execute from Program Flash while erasing it or writing to it. So a suitable program must be placed in either Data Flash or RAM, and executed while the functions are being performed.

16.1.14 Writing to Program Flash

The process for writing to Program Flash is exactly the same as the process for writing to Data Flash – write the key, write to the actual address, and then monitor the BUSY bit. Like Data flash, Program flash should be written to 4 bytes at a time. Program flash can be written to twice between erases. This is used in the clear checksum function, where first the checksum is written, and then all zeroes are written to the checksum to clear it. Writing to the flash more than twice between erases is not guaranteed to work and hence not recommended.

16.2 Memory Management Controller (MMC)

The MMC manages the interface to the peripherals by controlling the interface bus for extending the read and write accesses to each peripheral. The unit generates eight peripheral select lines with 1KB of address space decoding. The interface can be configured with an interface clock from divide by 2 thru 16. For divide by 2, each peripheral requires two clock accesses.

16.3 System Management (SYS)

The SYS unit contains the software access protection by configuring user privilege levels to memory or peripherals modules. It contains the ability to generate fault or reset conditions on decoding of illegal address or access conditions. Also available is clock control setup for system operation.

16.4 Central Interrupt Module (CIM)

The Central Interrupt Module accepts 32 interrupt requests and provides configurable mapping in order to meet the firmware timing requirements. The ARM itself only supports two levels of interrupts, FIQ and IRQ. With FIQ being the higher interrupt to IRQ. The CIM provides hardware expansion of interrupts by use of FIQ/IRQ vector registers for providing the offset index in a vector table. This numerical index value indicates the highest precedence channel with a pending interrupt and is used to locate the interrupt vector address from the interrupt vector table. Interrupt channel 31 has the highest precedence and interrupt channel 0 has the lowest precedence. The CIM is level sensitive to the interrupt requests and each peripheral will need to keep the request high until the ARM responds to it. To remove the interrupt request, the firmware should clear the request as the first action in the interrupt service routine. The request channels are maskable to selectively disable individual channels.

Table 16-1. Interrupt Priority Table

Name	Module Component or Register	Description	Priority
BRN_OUT_INT	Brownout	Brownout interrupt	0 (Lowest)
EXT_INT	External Interrupts	Interrupt on one external input pins for faults inputs	1
WDRST_INT	Watchdog Control	Interrupt from watchdog exceeded (reset)	2
WDWAKE_INT	Watchdog Control	Wakeup interrupt when watchdog equals half of set watch time	3
SCI_ERR_INT	UART or SCI Control	UART or SCI error Interrupt. Frame, parity or Overrun	4
SCI_RX_0_INT	UART or SCI Control	UART0 RX buffer has a byte	5
SCI_TX_0_INT	UART or SCI Control	UART0 TX buffer empty	6
SCI_RX_1_INT	UART or SCI Control	UART1 RX buffer has a byte	7
SCI_TX_1_INT	UART or SCI Control	UART1 TX buffer empty	8
PMBUS_INT		PMBus related interrupt	9
DIG_COMP_INT	12-bit ADC Control	Digital comparator interrupt	10
FE0_INT	Front End 0	"Prebias complete", "Ramp Delay Complete", "Ramp Complete", "Load Step Detected", "Over-Voltage Detected", "EADC saturated"	11
FE1_INT	Front End 1	"Prebias complete", "Ramp Delay Complete", "Ramp Complete", "Load Step Detected", "Over-Voltage Detected", "EADC saturated"	12
FE2_INT	Front End 2	"Prebias complete", "Ramp Delay Complete", "Ramp Complete", "Load Step Detected", "Over-Voltage Detected", "EADC saturated"	13
PWM3_INT	16-bit Timer PWM 3	16-bit Timer PWM3 counter overflow or Compare interrupt	14
PWM2_INT	16-bit Timer PWM 2	16-bit Timer PWM2 counter Overflow or Compare interrupt	15
PWM1_INT	16-bit Timer PWM 1	16-bit Timer PWM1 counter overflow or Compare interrupt	16
PWM0_INT	16-bit timer PWM 0	16-bit Timer PWM1 counter overflow or Compare interrupt	17
OVF24_INT	24-bit Timer Control	24-bit Timer counter overflow interrupt	18
CAPTURE_1_INT	24-bit Timer Control	24-bit Timer Capture 1 interrupt	19
COMP_1_INT	24-bit Timer Control	24-bit Timer Compare 1 interrupt	20
CAPTURE_0_INT	24-bit Timer Control	24-bit Timer Capture 0 interrupt	21
COMP_0_INT	24-bit Timer Control	24-bit Timer Compare 0 interrupt	22
CPC_C_INT	Constant power/current module	Mode switched in CPC_C module Flag needs to be read for details	23
ADC_CONV_INT	12-bit ADC Control	ADC end of conversion interrupt	24
FAULT_INT	Fault Mux Interrupt	Analog Comparator Interrupts, Over-Voltage Detection, Under-Voltage Detection, LLM Load Step Detection	25
DPWM3	DPWM3	Same as DPWM1	26
DPWM2	DPWM2	same as DPWM1	27
DPWM1	DPWM1	<ol style="list-style-type: none"> 1. Every (1-16) switching cycles 2. CLF flag shutdown 3. Mode switching 4. IDE, DCM detection 	28
DPWM0	DPWM0	same as DPWM1	29
EXT_FAULT_INT	External Faults	Fault pin interrupt	30
SYS_SSI_INT	System Software	System software interrupt	31 (highest)

16.4.1 Interrupt Handling by CPU

As previously mentioned, the ARM7 CPU provides two vectors for interrupt requests - fast interrupt requests (FIQ) and normal interrupt requests (IRQ). The CPU may enable these interrupt request channels individually within the CPSR; CPSR bits 6 and 7 must be cleared to enable the FIQ and IRQ interrupt requests at the CPU. When both interrupt requests are enabled, the FIQ interrupt request has higher priority than the IRQ and is handled first.

When the CPU recognizes an interrupt request, the CPSR changes mode to either the FIQ or IRQ mode. When an IRQ interrupt is recognized, the CPU disables other IRQ interrupts by setting CPSR bit 7. When an FIQ interrupt is recognized, the CPU disables both IRQ and FIQ interrupts by setting CPSR bits 6 and 7. After the interrupt is recognized by the CPU, the program counter jumps to the appropriate interrupt vector—0x0018 for IRQ and 0x001C for FIQ.

16.4.2 Interrupt Generation at Peripheral

Interrupts begin when an event occurs within a peripheral module. Some examples of interrupt-capable events are expiration of a counter within a timer module, receipt of a character in a communications module, and completion of a conversion in an analog-to-digital converter (ADC) module.

Interrupts are not always generated when an event occurs; the peripheral must make an interrupt request to the central interrupt manager (CIM) based upon the event occurrence. Typically, the peripheral contains:

- An interrupt flag bit for each event to signify the event occurrence
- An interrupt-enable bit to control whether the event occurrence causes an interrupt request to the CIM

16.4.3 CIM Interrupt Management (CIM)

A block diagram of the CIM is shown below:

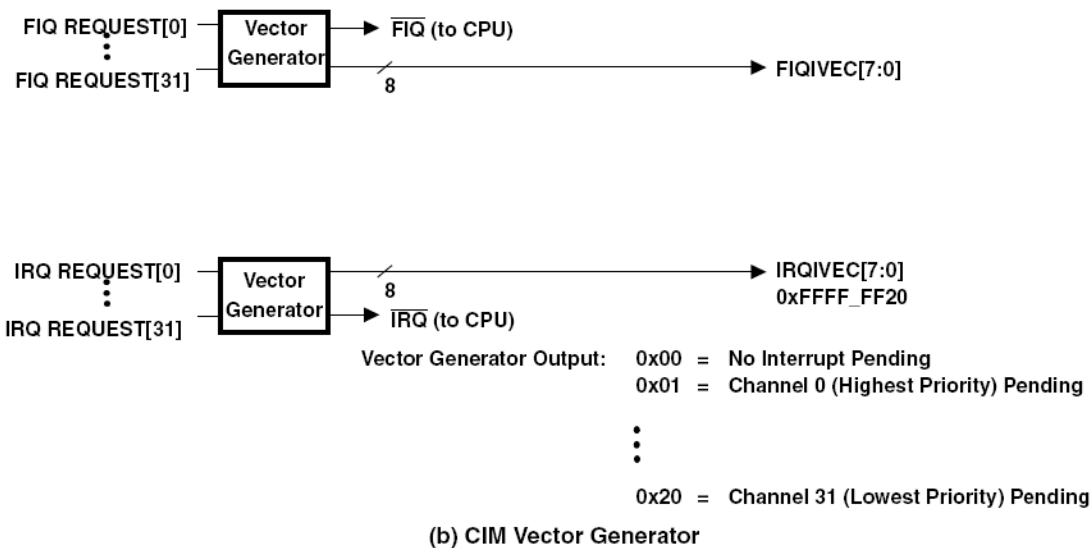
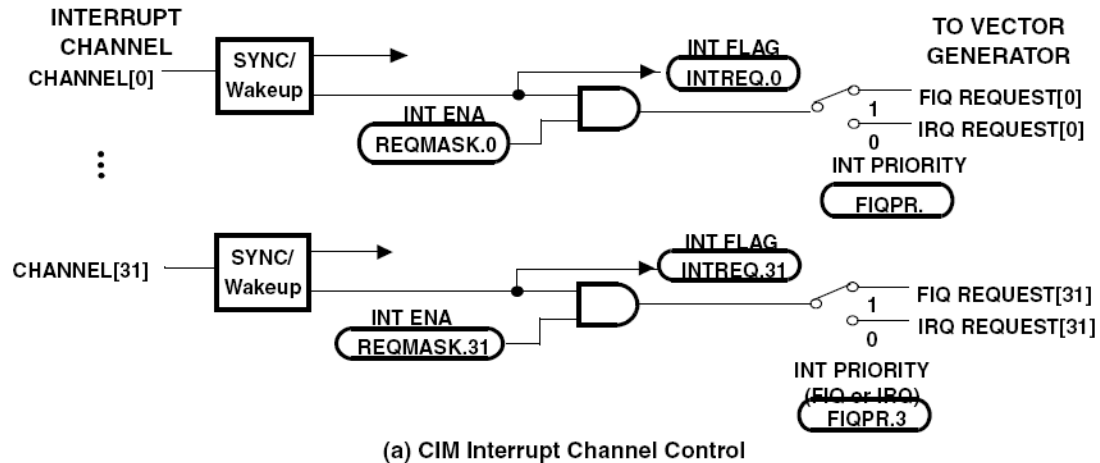


Figure 16-3.

The CIM can support 32 interrupt request lines (channel [0] to channel [31]) from the peripherals. These peripheral interrupt requests are hardwired to each of the CIM 32 channels. The CIM combines the 32 channels into two outputs – an FIQ request to the CPU and an IRQ request to the CPU. The CIM performs the following functions:

- Manages the input channels
- Prioritizes the interrupt requests to the CPU

16.4.4 CIM Input Channel Management

On the input side, the CIM enables channels on a channel-by-channel basis (in the REQMASK register); unused channels may be masked to prevent spurious interrupts. Each interrupt channel can be designated to send either an FIQ or IRQ request to the CPU (in the FIQPR register).

Interrupt Mask Register REQMASK and FIQ/IRQ Program Control Register FIRQPR are writeable in privilege mode only. A write in user mode to these Registers causes a peripheral illegal access exception. One way of setting the CPU in privilege mode is through software interrupt. A software interrupt is a synchronous exception generated by the execution of a particular instruction. A C application can invoke a software interrupt by associating a software interrupt number with a function name through use of the SWI_ALIAS pragma and then

calling the software interrupt as if it were a function. A C code example of using software interrupt is shown below:

```
#pragma SWI_ALIAS (write_firqpr, 8)
void write_firqpr(unsigned long value);
#pragma SWI_ALIAS (write_reqmask, 9)
void write_reqmask(unsigned long value);
#pragma INTERRUPT (software_interrupt, SWI)
void software_interrupt (uint32 arg1, uint32 arg2, uint32 arg3, uint8 swi_number)
{
    //make sure interrupts are disabled
    asm(" MRS r3, cpsr "); // get psr
    asm(" ORR r3, r3, #0xc0 "); // set interrupt disables
    asm(" MSR cpsr, r3"); // restore psr
    asm(" LDRB R3,[R14,#-1]"); // get swi number into R3 as fourth operand
    switch (swi_number) // handle flash write/erase and ROM backdoor first
    {
        ...
        case 8: //write to fiq/irq program_control_register
            CimRegs.FIRQPR.all = arg1;
            return;
        case 9: //write to fiq/irq program_control_register
            CimRegs.REQMASK.all = arg1;
            return;
        ...
        default:
            break;
    }
}
```

The INTERRUPT pragma enables handling interrupts directly with C code. This pragma specifies that the function to which it is applied is an interrupt. The type of interrupt is specified by the pragma. The software interrupt will change the CPU to privilege mode. The SWI_ALIAS pragma tells the function write_firqpr() and write_reqmask() are software interrupts. Calls to these functions are compiled as software interrupts. A C code example of calling these functions is shown below.

```
write_firqpr(0x0c000000); //make them all irqs except dpwm4 and dpwm3.
write_reqmask(0x0c010000); //enable only pwm1cmp, dpwm3 and dpwm4
```

16.4.5 CIM Prioritization

The CIM prioritizes the received interrupts based upon a hardware and software prioritization scheme. The software prioritization scheme is user configurable. The CIM can send two interrupt requests to the CPU simultaneously—one IRQ and one FIQ. If both interrupt types are enabled at the CPU, then the FIQ has greater priority and is handled first. The hardware prioritization scheme sends the highest numbered active channel (in each FIQ and IRQ interrupt request) to the CPU. Within the FIQ and IRQ classes of interrupts, the highest channel has the highest priority interrupt. The CIM sends the highest priority interrupt of both the IRQ and FIQ classes of interrupt requests to the CPU.

16.4.6 CIM Operation

When the CPU recognizes an interrupt request and responds, the program counter jumps to the appropriate interrupt vector. The interrupt vector is typically a branch statement to an interrupt table. The interrupt table reads the pending interrupt from a vector offset register (FIQIVEC.7:0 for FIQ interrupts and IRQIVEC.7:0 for IRQ interrupts).

The following is an example of how such interrupt service routine needs to be written. In this example two analog comparator interrupts, one DPWM end of period interrupt and two digital fault input pins are all mapped toward the fast interrupt.

```

#pragma INTERRUPT(fast_interrupt,FIQ)
void fast_interrupt(void)
{
    register int32 fiq_number, interrupt_bits;
    volatile Uint32 read_scrap;
    fiq_number = CimRegs.FIQIVEC.all; // Clear on read
    if(fiq_number == 26) // Analog comparator interrupt and more
    {
        interrupt_bits = FaultMuxRegs.FAULTMUXINTSTAT.all; // Clear on read
        if(interrupt_bits & 8) //if Iout1 is high (ACOMP-3)
        {
            output_over_current_protection();
        }
        if(interrupt_bits & 4) //if vout1 is high (ACOMP-2)
        {
            output_over_voltage_protection();
        }
    }
    else if(fiq_number == 27) //DPWM3 interrupt
    {
        // To do
    }
    else if(fiq_number == 31) // Fault Pin Interrupt
    {
        if(interrupt_bits & 0x100) // If FAULT0
        {
            // To do
        }
        if(interrupt_bits & 0x200) // If FAULT1
        {
            // To do
        }
    }
    read_scrap = Dpwm3Regs.DPWMINT.bit.PRD;
}

```

Since multiple interrupt sources are mapped toward a single ISR (interrupt service routine), the first thing in the ISR should determine which source triggered the entrance to the current execution of ISR.

This can be done first by reading the CimRegs.FIQIVEC register. It is worth noting that the value of CimRegs.FIQIVEC is read just once and saved into the temporary variable fiq_number. The program should follow this format and should not read the CimRegs.FIQIVEC repeatedly in the else if statements.

This is mostly because CimRegs.FIQIVEC is a clear on read register, therefore only the first read attempt per ISR of this register can be used to read intact and relevant values of all relevant bits.

The same is true about FaultMuxRegs.FAULTMUXINTSTAT, this is clear on read register as well. Therefore same technique should be used to read its value.

Note

Please note, the above values used in the elseif() statements within the ISR can be determined by adding a 1 into the interrupt priority level from Table 16-2 (Interrupt Priority Table). In other words, the corresponding values of IRQIVEC and FIQIVEC are equal to (interrupt priority level + 1).

In UCD3138 the interrupt flags need to be cleared by software and are not automatically cleared by hardware.

In some other microcontrollers and microprocessors in the market the interrupt flags are cleared automatically (by hardware) just before the ISR execution ends.

Since UCD3138 does not clear the interrupt flags automatically, this should be done by the ISR routine. Negligence to clear the relevant interrupt flag will cause immediate re-invocation of the ISR instantly after previous ISR execution ended. Therefore the controller (ARM7) will be busy with execution of the ISR and will never have the chance to execute the background tasks such as PMBus communications in the main() routine.

Once again since multiple interrupt sources are mapped to a single ISR (interrupt service routine), the clearing of the relevant interrupt flag should be added to the related elseif() statement within the ISR.

16.4.7 Register Map

Address	Register Name	Description	Bits	Read	Write	Reset
0xFFFF FF20	IRQIVEC	IRQ Index Offset Vector Register	8	Yes	No	8'h0
0xFFFF FF24	FIQIVEC	FIQ Index Offset Vector Register	8	Yes	No	8'h0
0xFFFF FF28		RESERVED				
0xFFFF FF2C	FIRQPR	FIQ/IRQ Program Control Register	32	Yes	Yes	32'h0
0xFFFF FF30	INTREQ	Pending Interrupt Read Location	32	Yes	Yes	32'h0
0xFFFF FF34	REQMASK	Interrupt Mask Register	32	Yes	Yes	32'h0

16.5 SYS – System Module Registers Reference

SYS Registers have the following attributes:

- 16-bit wide
- Addresses placed on word boundaries
- Byte, half-word and word writes permitted
- All Registers can be read in any mode of operation.
- Global Control Register is writeable in privilege mode only. All other Registers are writeable in any mode.

16.5.1 Clock Control Register (CLKCNTL)

Address FFFFFFFD0

The clock control Register configures the MCLK divider for low power modes and the clock multiplexer which drives the Sync pin when configured to output the CLKOUT signal. CLKCNTL is accessible in user and privilege mode and supports byte, half-word and word accesses. Any access to this Register takes two SYSCLK cycles.

Figure 16-4. Clock Control Register (CLKCNTL)

9	8	7	6	5	4	3	2	0
M_DIV_RATIO	Reserved	CLKSR	Reserved	CLKDOUT	Reserved	Reserved	Reserved	Reserved
R-00	R-0	R/W-00	R-0	R/W-0	R-000			

LEGEND: R/W = Read/Write; R = Read only; -n = value after reset

Table 16-2. Clock Control Register (CLKCNTL) Register Field Descriptions

Bit	Field	Type	Reset	Description
9-8	M_DIV_RATIO	R	00	MCLK (Processor Clock) Divide Ratio 00 = MCLK frequency equals High Frequency Oscillator divided by 8 (Default) 01 = MCLK frequency equals High Frequency Oscillator divided by 16 10 = MCLK frequency equals High Frequency Oscillator divided by 32 11 = MCLK frequency equals High Frequency Oscillator divided by 64
7	Reserved	R	0	
6-5	CLKSR	R/W	00	These bits control the source/function of CLKOUT 00 = Driven by value in CLKDOUT (Bit 3) (Default) 01 = Driven by the interface clock (ICLK) 10 = Driven by the CPU clock (MCLK) 11 = Driven by the system clock (SYSCLK)
4	Reserved	R	0	

Table 16-2. Clock Control Register (CLKCNTL) Register Field Descriptions (continued)

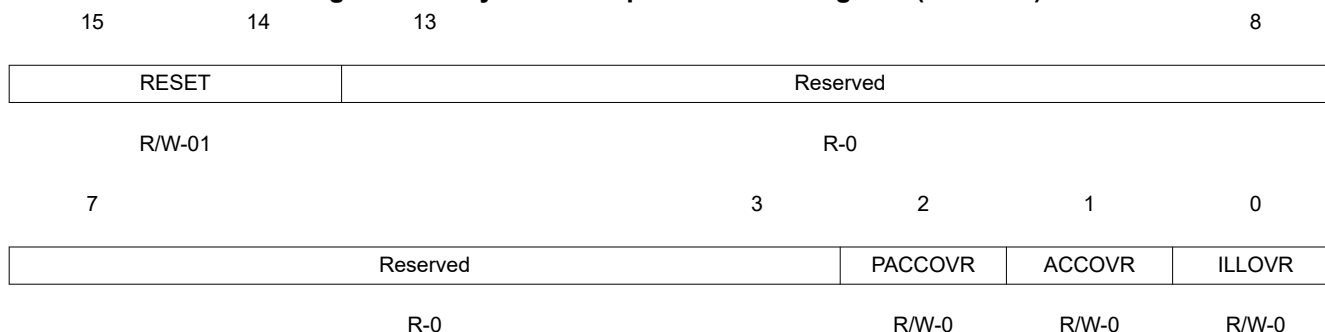
Bit	Field	Type	Reset	Description
3	CLKDOUT	R/W	0	This pin represents the output value of CLKOUT 0 = CLKOUT driven to logic low in output mode (Default) 1 = CLKOUT driven to logic high in output mode
2-0	Reserved	R	000	

16.5.2 System Exception Control Register (SYSECR)

Address FFFFFFFE0

The system exception control Register contains bits that allow the user to generate a software reset. The OVR bits disable some reset/abort conditions when TRST is high.

Figure 16-5. System Exception Control Register (SYSECR)



LEGEND: R/W = Read/Write; R = Read only; -n = value after reset

Table 16-3. System Exception Control Register (SYSECR) Register Field Descriptions

Bit	Field	Type	Reset	Description
15-14	RESET	R/W	01	Software Reset Enable. These bits always read as 01 01 = No reset 1X = Global system reset (X = don't care) X0 = Global system reset (X = don't care)
13-3	Reserved	R	0	
2	PACCOVR	R/W	0	Peripheral Access Violation Override 0 = Peripheral access violation error causes a reset or abort (Default) 1 = No action taken on a peripheral access violation
1	ACCOVR	R/W	0	Memory Access Reset Override 0 = Memory access violation error causes a reset or abort (Default) 1 = No action taken on an illegal address
0	ILLOVR	R/W	0	Illegal Address Reset Override 0 = Illegal address causes a reset or abort (Default) 1 = No action taken on an illegal address

16.5.3 System Exception Status Register (SYSESR)

Address FFFFFFFE4

The System Exception Status Register contains flags for different reset/abort sources. On power-up, all bits are cleared to 0. When a reset condition is recognized, the appropriate bit in the Register is set and the value of the bit is maintained through the reset. When a new reset condition occurs, the current contents of this Register are not cleared. The contents of this Register are cleared on a power-on reset or by software.

Figure 16-6. System Exception Status Register (SYSESR)

15	14	13	12	11	10	9	8
PORRST	CLKRST	WDRST	ILLMODE	ILLADR	ILLACC	PILLACC	ILLMAP
R/W-0	R/W-0	R/W-0	R/W-0	R/W-0	R/W-0	R/W-0	R/W-0
7	6					0	
SWRST	Reserved						
R/W-0	R-000 0000						

LEGEND: R/W = Read/Write; R = Read only; -n = value after reset

Table 16-4. System Exception Status Register (SYSESR) Register Field Descriptions

Bit	Field	Type	Reset	Description
15	PORRST	R/W	0	Power-On reset flag. Set when power-on reset is asserted. Reset is asserted as long as power-on-reset is active. Whenever a device is powered, this bit is set. User and privilege modes (read) 0 = Power-up reset has not occurred since the last clear 1 = Power-up reset has occurred since the last clear User and privilege modes (write) 0 = Clears the corresponding bit to 0 1 = No effect
14	CLKRST	R/W	0	This bit represents the clock fail flag. This bit indicates a clock fault condition has occurred. After power-on-reset, the CLKRST is reset to 0. Value remains unchanged during other resets. User and privilege modes (read) 0 = Clock failure has not occurred since the last clear 1 = Clock failure has occurred since the last clear User and privilege modes (write) 0 = Clears the corresponding bit to 0 1 = No effect
13	WDRST	R/W	0	This bit represents the watchdog reset flag. This bit indicates that the last reset was caused by the watchdog. User and privilege modes (read) 0 = Watchdog reset has not occurred since the last clear 1 = Watchdog reset has occurred since the last clear User and privilege modes (write) 0 = Clears the corresponding bit to 0 1 = No effect

Table 16-4. System Exception Status Register (SYSESR) Register Field Descriptions (continued)

Bit	Field	Type	Reset	Description
12	ILLMODE	R/W	0	<p>This bit represents the illegal mode flag. This bit is set when the mode bits in the program status Register are set to an illegal value.</p> <p>User and privilege modes (read)</p> <p>0 = Illegal mode has not occurred since the last clear</p> <p>1 = Illegal mode has occurred since the last clear</p> <p>User and privilege modes (write)</p> <p>0 = Clears the corresponding bit to 0</p> <p>1 = No effect</p>
11	ILLADR	R/W	0	<p>This bit represents the illegal address access flag. This bit is set when an access to an unimplemented location in the memory map is detected in non-user mode.</p> <p>User and privilege modes (read)</p> <p>0 = Illegal address has not occurred since the last clear</p> <p>1 = Illegal address has occurred since the last clear</p> <p>User and privilege modes (write)</p> <p>0 = Clears the corresponding bit to 0</p> <p>1 = No effect</p>
10	ILLACC	R/W	0	<p>This bit represents the illegal memory access flag. This bit is set when an access to a protected location without permission rights is detected in non-user mode.</p> <p>User and privilege modes (read)</p> <p>0 = Illegal memory access has not occurred since the last clear</p> <p>1 = Illegal memory access has occurred since the last clear</p> <p>User and privilege modes (write)</p> <p>0 = Clears the corresponding bit to 0</p> <p>1 = No effect</p>
9	PILLACC	R/W	0	<p>This bit represents the peripheral illegal access flag. This bit is set when a peripheral access violation is detected in user mode.</p> <p>User and privilege modes (read)</p> <p>0 = Illegal peripheral access has not occurred since the last clear</p> <p>1 = Illegal peripheral access has occurred since the last clear</p> <p>User and privilege modes (write)</p> <p>0 = Clears the corresponding bit to 0</p> <p>1 = No effect</p>
8	ILLMAP	R/W	0	<p>This bit represents the illegal address map flag. This bit is set when the base addresses of one or more memories overlap. Reset occurs when the overlapped registration is accessed.</p> <p>User and privilege modes (read)</p> <p>0 = Illegal address mapping has not occurred since the last clear</p> <p>1 = Illegal address mapping has occurred since the last clear</p> <p>User and privilege modes (write)</p> <p>0 = Clears the corresponding bit to 0</p> <p>1 = No effect</p>
7	SWRST	R/W	0	<p>This bit represents the software reset flag. This bit is set when the last reset is caused by software writing the RESET bits.</p> <p>User and privilege modes (read)</p> <p>0 = Software reset has not occurred since the last clear</p> <p>1 = Software reset has occurred since the last clear</p> <p>User and privilege modes (write)</p> <p>0 = Clears the corresponding bit to 0</p> <p>1 = No effect</p>

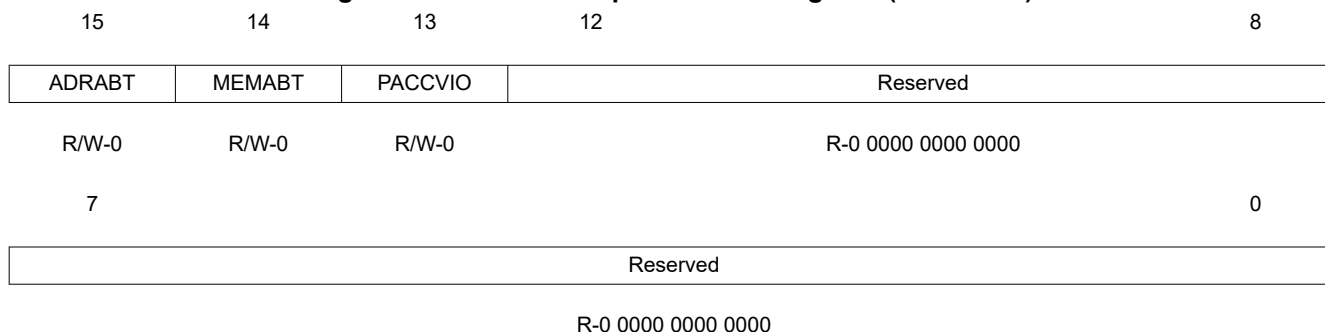
Table 16-4. System Exception Status Register (SYSESR) Register Field Descriptions (continued)

Bit	Field	Type	Reset	Description
6-0	Reserved	R	000 0000	

16.5.4 Abort Exception Status Register (ABRTESR)

Address FFFFFFFE8

The Abort Exception Status Register shows the abort cause.

Figure 16-7. Abort Exception Status Register (ABRTESR)


LEGEND: R/W = Read/Write; R = Read only; -n = value after reset

Table 16-5. Abort Exception Status Register (ABRTESR) Register Field Descriptions

Bit	Field	Type	Reset	Description
15	ADRABT	R/W	0	is bit represents the illegal address abort. An illegal address access was detected in user mode. An abort was generated due to an illegal address access from either the MPU or system User and privilege modes (read) 0 = No illegal address 1 = Abort caused by an illegal address User and privilege modes (write) 0 = Clears bit to 0 1 = No effect
14	MEMABT	R/W	0	This bit represents the memory access abort. This bit indicates an illegal memory access was detected in user mode. An abort was generated due to the illegal memory access from either the MPU or system. User and privilege modes (read) 0 = No illegal memory access 1 = Abort caused by an illegal memory access User and privilege modes (write) 0 = Clears bit to 0 1 = No effect
13	PACCVIO	R/W	0	This bit represents the peripheral access violation error. This bit indicates a peripheral access violation error was detected during a peripheral Register access in user mode. An abort was generated due to a peripheral access violation. User and privilege modes (read) 0 = No peripheral access violation 1 = Abort caused by a peripheral access violation User and privilege modes (write) 0 = Clears bit to 0 1 = No effect
12-0	Reserved	R	0 0000 0000 0000	

16.5.5 Global Status Register (GLBSTAT)

Address FFFFFFFEC

The Global Status Register specifies the module that triggered the illegal address, illegal access, abort or reset. When a new reset condition reset occurs, the current contents of this Register are not cleared. The contents of this Register are cleared on a power-on reset or by software.

Figure 16-8. Global Status Register (GLBSTAT)

7	6	5	4	3	0
SYSADDR	SYSACC	MPUADDR	MPUACC	Reserved	
R/W-0	R/W-0	R/W-0	R/W-0	R-0000	

LEGEND: R/W = Read/Write; R = Read only; -n = value after reset

Table 16-6. Global Status Register (GLBSTAT) Register Field Descriptions

Bit	Field	Type	Reset	Description
7	SYSADDR	R/W	0	This bit represents the system illegal address flag. This bit is set when the system detects an illegal address. User and privilege modes (read) 0 = No system illegal address 1 = Abort or reset caused by a system illegal address User and privilege modes (write) 0 = Clears bit to 0 1 = No effect
6	SYSACC	R/W	0	This bit represents the system illegal access flag. This bit is set when the system detects an illegal access. User and privilege modes (read) 0 = No system illegal access 1 = Abort or reset caused by a system illegal access User and privilege modes (write) 0 = Clears bit to 0 1 = No effect
5	MPUADDR	R/W	0	This bit represents the MPU illegal address flag. This bit is set when the memory protection unit detects an illegal address. User and privilege modes (read) 0 = No MPU illegal address 1 = Abort or reset caused by a MPU illegal address User and privilege modes (write) 0 = Clears bit to 0 1 = No effect
4	MPUACC	R/W	0	This bit represents the MPU illegal access flag. This bit is set when the MPU detects an illegal access. User and privilege modes (read) 0 = No MPU illegal access 1 = Abort or reset caused by a MPU illegal access User and privilege modes (write) 0 = Clears bit to 0 1 = No effect
3-0	Reserved	R	0000	

16.5.6 Device Identification Register (DEV)

Address FFFFFFF0

The Device Identification Register contains device specification information that is hard coded during device manufacturing. This register is read-only.

Figure 16-9. Device Identification Register (DEV)

15

0



R-0011 0100 0111 1111

LEGEND: R/W = Read/Write; R = Read only; -n = value after reset

Table 16-7. Device Identification Register (DEV) Register Field Descriptions

Bit	Field	Type	Reset	Description
15-0	DEV	R	0011 0100 0111 1111	These bits represent the device identification code.

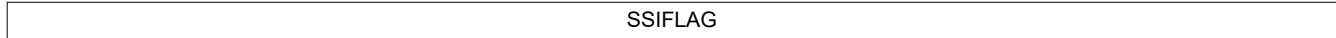
16.5.7 System Software Interrupt Flag Register (SSIF)

Address FFFFFFF8

The System Software Interrupt Flag Register is set when a software interrupt is triggered. The flag allows the user to poll for a software interrupt.

Figure 16-10. System Software Interrupt Flag Register (SSIF)

0



R/W-0

LEGEND: R/W = Read/Write; R = Read only; -n = value after reset

Table 16-8. System Software Interrupt Flag Register (SSIF) Register Field Descriptions

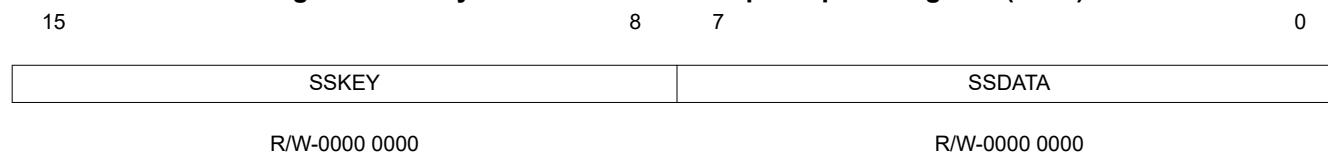
Bit	Field	Type	Reset	Description
0	SSIFLAG	R/W	0	This bit represents the system software interrupt flag. This bit is set when a correct SSKEY is written to the System Software Interrupt Flag Register. This bit is cleared only by software.

16.5.8 System Software Interrupt Request Register (SSIR)

Address FFFFFFFC

The System Software Interrupt Request Register contains a key sequence that triggers a software interrupt request to the CIM. Also, the Register contains an 8-bit data field.

Figure 16-11. System Software Interrupt Request Register (SSIR)



LEGEND: R/W = Read/Write; R = Read only; -n = value after reset

Table 16-9. System Software Interrupt Request Register (SSIR) Register Field Descriptions

Bit	Field	Type	Reset	Description
15-8	SSKEY	R/W	0000 0000	These bits represent the system software interrupt request key. These write-only bits are executable in both user and privilege modes. A 0x75 written to these bits initiates IRQ/FIQ interrupts. Data in this field is always read as zero.
7-0	SSDATA	R/W	0000 0000	These bits represent the system software interrupt data. The SSDATA bits provide an 8-bit field that can be used for passing messages into the system software interrupt.

16.5.9 References

1. UCD3138 Digital Power Peripherals Programmer's Manual ([SLUU995](#))
2. UCD3138 ARM and Digital System Programmer's Manual ([SLUU994](#))
3. UCD3138 Device Datasheet ([SLUSAP2](#))

Chapter 17

Flash Memory Programming, Integrity, and Security



The UCD3138 offers flash security and a ROM based PMBus bootstrap program for flash programming and program debugging.

It offers the choice between startup into the bootstrap program and startup into the customer program.

This section shows how to make best use of these features. It describes how to enable flash security only when desired, and how to make “back doors” to permit reprogramming of devices with flash security enabled.

This section starts with a quick start summary which gives a recipe for best practices for firmware development and for production.

Next, it provides a detailed view of the UCD3138 Flash programming hardware and Boot ROM as a starting point. Finally, it goes into detail with code examples for the exact procedures for Flash management for firmware development and for production.

[Chapter 16](#) goes into more detail on the mechanics of programming Flash while also executing from Flash.

[Chapter 13](#) describes programming Flash using the PMBus and the Boot ROM.

17.1 Quick Start Summary	540
17.2 Flash Memory Operations	540
17.3 Flash Management for Firmware Development	542
17.4 Flash Management in Production	543
17.5 Firmware Examples	544

17.1 Quick Start Summary

This section is a quick summary of the issues and solutions in Flash security. More detailed explanations are available in the sections which follow.

17.1.1 ROM Bootstrap and Program Flash Checksum

When the UCD3138 is reset or powered up, control goes first to the ROM bootstrap program. The ROM bootstrap initializes the device and then performs a checksum on the Program Flash. If the checksum matches, the ROM turns control over to the customer supplied program in the Program Flash.

If the checksum does not match, control stays in the ROM, and the flash can be reprogrammed.

17.1.2 Firmware Development Setup

The best firmware development setup is to **never program the checksum into the program flash**.

The disadvantage of this approach is that it requires the use of a PMBus interface every time the UCD3138 is reset. The program won't start on its own, so the start has to be commanded through the PMBus interface.

The second best setup permits auto startup. It is:

1. Have an I/O line based backdoor as the first element in the main program.
2. Have an additional backdoor from whatever communication port is in use (PMBus, or serial typically)
3. Only program the checksum into a new program version after the backdoors have been tested and verified.

PMBus backdoors are convenient, but unreliable. One bug can kill the PMBus function and the backdoor. A simple backdoor at the very beginning of the program is much more reliable.

17.1.3 Production Setup

The best production setup is:

1. Have a well-tested, secure backdoor which erases program flash. It can be communications port based only, if desired.
2. Don't program the program flash checksum until all other flash is programmed, including calibration and manufacturing data.

The next sections cover these issues in much more detail.

17.2 Flash Memory Operations

17.2.1 UCD3138 Memory Maps

The UCD3138 has only one memory bus used for both program and data.

Memories are called "Program" Flash" and "Data" Flash, but all memories can be used for both.

The names just show the main use for each memory.

After reset, the UCD3138 starts executing in ROM. In this mode, the ROM is mapped to fill up the entire first 64 Kbytes of memory. The 4 Kbytes of ROM are repeated 16 times.

Here is the memory map for ROM mode:

```

0x00000 => 0x0FFFF => Boot ROM - 4 Kbytes, repeated 16 times.
0x10000 => 0x17FFF => Program Flash - 32 Kbytes
0x18800 => 0x18FFF => Data Flash - 2 Kbytes
0x19000 => 0x19FFF => Data RAM - 4 Kbytes
    
```

If the ROM finds a valid checksum for the Program Flash, or if a PMBus command is sent telling the ROM to transfer control to the flash, the memory map is changed a little bit.

Here is the memory map during normal operation:

0x00000	=>	0x07FFF	=>	Program Flash - 32 Kbytes
0x0A000	=>	0x0AFFF	=>	Boot ROM - 4 Kbytes
0x18800	=>	0x18FFF	=>	Data Flash - 2 Kbytes
0x19000	=>	0x19FFF	=>	Data RAM - 4 Kbytes

In ROM mode, the reset and interrupt vectors are in the ROM. In normal operation, the reset and interrupt vectors are in the Program Flash.

The two flash memories, “Program” and “Data”, are programmed separately. Each has its own programming logic. When a Flash memory is being programmed, it cannot be read.

Flash memories can be programmed word by word, but must be erased a block at the time. The Data Flash has 64 small blocks containing only 32 bytes each. This makes it ideal for storing small blocks of data which need to be changed frequently.

The Program Flash has only 32 blocks, and each one contains 1KB.

For more information on memory maps for all family members, see [Chapter 15](#), Memory.

17.2.2 Flash Programming in ROM Mode

In ROM mode, the flash is programmed via PMBus commands. The ROM offers several PMBus commands for memory examine and modify, and for controlling program execution. For a complete description, see the UCD3138 Boot ROM Reference Manual.

Normally the PMBus commands are issued by the TI supplied GUI running on a PC (FUSION_DIGITAL_POWER_DESIGNER), or by a third party Flash programmer, so the process is invisible to the user.

First the Flash is erased using either one Mass Erase command or many Page Erase commands. Erasing the Flash sets all the bits in the Flash to 1. Next the Flash is written to using Write Block commands. Then the Flash contents can be verified using Read Block commands. Finally an Execute Program command is used to start the Flash program.

17.2.3 Clearing the Flash

The UCD3138 can erase its own program flash, either in pages or as a single block. A block erase is best used for flash security for production code. In this way, even if the backdoor is activated, the flash security is still maintained.

It is also possible to write all zeroes to the checksum and clear it. That way, the next time the UCD3138 is reset, it will power up into ROM mode and the memory can be examined. This is best for development, so that the memory contents can be analyzed if necessary.

Any changes to program flash must be made while executing in other memories – ROM, RAM, or Data Flash. It is possible to corrupt Data flash without affecting the Program Flash checksum, so it is unwise to put the flash modification program into Data Flash.

It is best to put it into Program Flash and copy it into RAM. In this way, if the program image is corrupted, the checksum will be incorrect, and the device will automatically enter ROM mode on reset. The reference firmware in most UCD3138 EVM will use the copy into RAM method.

17.2.4 3138 Family Members with Multiple Flash Blocks

Several 3138 family members have multiple flash blocks. This doesn't change the basic programming code, but it increases flexibility. It is not necessary to execute from RAM or Data Flash when erasing or writing to program flash. It can also be done while executing from any other flash block than the one being changed. It is not possible to write or erase two blocks at the same time however.

17.3 Flash Management for Firmware Development

During the development phase, the main goal is to avoid activating flash security.

There are several ways to do this, depending on the situation.

17.3.1 Best Practice for Firmware Development

The best practice for firmware development is very simple.

- Never make the program flash checksum correct.

The disadvantages of this method are:

1. The device must always be connected to the PMBus and told to start executing
2. Anyone with the proper tools can read the flash – there is no security.

17.3.2 Firmware Development with "Backdoors"

Sometimes there are situations where development level firmware is required to start automatically with no PMBus interface command to start it. In this case, the program flash checksum must be programmed.

There may also be cases where flash security is desired for firmware under development. Again, the checksum must be programmed, preventing the device from going to ROM mode.

In this case, if reprogramming is desired, some kind of backdoor must be provided to clear the checksum. There are several backdoor techniques described below. Any one of them is adequate if used properly. For a robust and easy to use solution, however, the use of 2 or more backdoors is strongly suggested.

The techniques are:

- I/O line based backdoors
- Communications port based backdoors

17.3.3 I/O Line Based Backdoors

This backdoor can provide security, if done properly. It starts with the firmware checking an I/O line at startup – before the rest of the system is initialized – and branching to the backdoor if the I/O line is in the proper state.

The big advantage of the I/O line based backdoor is that firmware changes are unlikely to make it stop working. Since it is at the very beginning of the code, changes later in the code should not affect it.

The simplest way involves just branching straight to the code that clears the flash. In this case, the code can erase the entire flash, preventing others from being able to read it. There are several ways to do this:

17.3.3.1 Serial Port Based Backdoor

The serial port backdoor is most useful if the serial port is being used for primary to secondary communication. The serial port (RX) pin can be programmed as an input and its state read. If the line is high, the serial port is in its normal state. If it is low, then the flash should be cleared. It may be necessary to put in a pull up resistor if chip transmitting is absent or powered down. It is also necessary to ensure that the other chip will not transmit data when the UCD3138 is coming out of reset. If this is done, the UART RX pin can be used as a backdoor, and as an RX pin. This mode is used in the UCD3138 introductory lab training programs.

Advantages

1. Doesn't waste an I/O line
2. Can be triggered by other chip via serial port

Disadvantages

1. Pull up may be needed
2. Other chip must avoid transmitting at sampling time (just after reset)

17.3.3.2 GPIO Line Based Backdoor

Using a general purpose I/O line is simpler, as the line can be dedicated to this function, but it does require a free line available. It will also require a pull up or down and a test point to override the pull up or pull down.

However, it is often useful to have a free I/O line available for development. It is very useful for instrumenting code. It can be used to indicate internal events to monitor timing and trigger oscilloscopes. Since the line is only checked at reset for the backdoor, it can then be used for other functions once the program is started.

17.3.3.3 Other Options for I/O Backdoors

There are many other creative options for backdoors if I/O lines are very constrained. An ADC input can be set to an out of normal range value. As suggested above, an I/O line can perform a backdoor function at the beginning of the code and some other function after startup.

17.3.4 Communications Backdoors

Communications backdoors add a message to an existing communications port already used in the application. Typically this is the PMBus interface, but it could be any communications interface.

The standard TI firmware generally supports a simple communications backdoor with a PMBus D9 command used to clear the flash checksum. For added security, this could be changed so that it erases the flash instead. The command code could be changed. In addition, more bytes could be added to the command sequence, requiring a multi-byte checksum for flash changes.

The serial port could also be used in a similar way.

Advantages:

1. Requires no additional I/O pins
2. Can support password security

Disadvantages:

1. If firmware locks up, the backdoor can also stop working

17.3.4.1 Cautions for Using Communications Backdoors

Since a firmware bug can lock up the communications backdoor very easily, always test the backdoor before setting the checksum up for auto startup. Every time the firmware is changed, retest the backdoor.

17.4 Flash Management in Production

In production, the goals are different. A secure backdoor is desired, but it must also be reliable. Firmware bugs which prevent backdoor access are less of a concern. All of the firmware, including the backdoor should be well tested before release to production.

The best firmware backdoor is a communications channel based backdoor with a long password, as described above. It could even be a sequence of multiple commands, if desired.

17.5 Firmware Examples

This section shows short examples of checksum clearing and flash erasing.

17.5.1 Checksum Clearing

This first code typically goes into the software interrupt, as it must be used in system mode, not in user mode. This code copies the actual checksum clearing program into RAM.

```

case 12: // clear integrity word.
{
    {
        register Uint32 * program_index = (Uint32 *) 0x19000; //store destination address for
                                                                //program
        register Uint32 * source_index = (Uint32 *)zero_out_integrity_word; //Set source
                                                                //address of
                                                                //PFLASH;

        register Uint32 counter;
        for(counter=0; counter < 500; counter++) //Copy program from PFLASH to RAM
        {
            *(program_index++)=*(source_index++);
        }
    }
    ~
    register FUNC_PTR func_ptr;
    func_ptr=(FUNC_PTR)0x19000; //Set function to 0x19000
    func_ptr();
    func_ptr=(FUNC_PTR)0x70000; //Set function to illegal location
    func_ptr(); //force reset
    //execute erase checksum
}
return;
}

```

This is the code for actually clearing the checksum which is copied into RAM:

```

void zero_out_integrity_word(void)
{
    DecRegs.FLASHLOCK.all = 0x42DC157E; //Write key to Program Flash
    //Interlock Register
    DecRegs.MFBALR1.all = MFBALRX_BYTE0_BLOCK_SIZE_32K; //enable program flash write
    program_flash_integrity_word = 0;
    DecRegs.MFBALR1.all = MFBALRX_BYTE0_BLOCK_SIZE_32K + //expand program flash out to 4x real
    //size
    MFBALRX_BYTE0_RDONLY;
    while(DecRegs.PFLASHCTRL.bit.BUSY != 0)
    {
        ; //do nothing while it programs
    }
    return;
}

```

17.5.2 Erasing Flash

The code for erasing flash is very similar, except instead of writing to the program flash word, it actually writes to the program flash control register and does a mass erase.

The C calling function is very similar. Only the labels for the code which is copied change.

Here is the code to clear the program flash:

```
void clear_program_flash(void)
{
    DecRegs.PFLASHCTRL.bit.MASS_ERASE = 1; //erase it all
    while(DecRegs.PFLASHCTRL.bit.BUSY != 0)
    {
        ; //do nothing while it programs
    }
    return;
}
```

17.5.3 Serial Port Based Backdoor

Here is the code for a back door based on the serial RX line, as used in the UCD3138 training labs:

```
void main()
{
    if(GioRegs.FAULTIN.bit.TMS_IN == 0) //emergency backdoor -
                                        //TMS is normally pulled up by external resistor
    {
        clear_integrity_word(); //if it's pulled down, clear checksum (integrity word)
    }
}
```

17.5.4 I/O Line Based Back Door

Here is code which actually uses 2 I/O lines, used in the LLC EVM:

```
void main()
{
    //Recommended setting
    MiscAnalogRegs.CLKTRIM.bit.HFO_LN_FILTER_EN = 0;
    //Turn on PMBus address pin current source ASAP to allow time to charge up.
    PMBusRegs.PMBCTRL3.bit.IBIAS_B_EN = 1;
    //Disable all DPWM outputs.
    global_disable();
    //Check to see if FAULT2 is pulled high and FAULT0 is pulled low.
    //If they are go to ROM.
    if (MiscAnalogRegs.GLBIOREAD.bit.FAULT2_IO_READ &&
        !MiscAnalogRegs.GLBIOREAD.bit.FAULT3_IO_READ)
    {
        rom_back_door();
    }
}
```

Notice that the code is placed very close to the start of the main function. Only time critical elements are placed before it. This code uses `rom_back_door`, which first disables all the DPWMs and then calls `clear_integrity_word`. In this case the function is the same as the previous example.

CIM – Central Interrupt Module Registers Reference

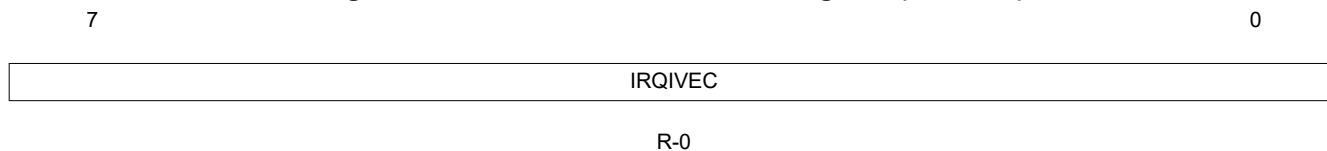
CIM Registers have the following attributes:

- 32-bit width
- Addresses placed on word boundaries
- Byte, half-word and word writes permitted
- All Registers have read/write access in any mode
- Interrupt Mask and FIQ/IRQ Program Control Registers are writeable in privilege mode only. A write in user mode to these Registers causes a peripheral illegal access exception.

18.1 IRQ Index Offset Vector Register (IRQIVEC)	547
18.2 FIQ Index Offset Vector Register (FIQIVEC)	548
18.3 FIQ/IRQ Program Control Register (FIRQPR)	549
18.4 Pending Interrupt Read Location Register (INTREQ)	550
18.5 Interrupt Mask Register (REQMASK)	551

18.1 IRQ Index Offset Vector Register (IRQIVEC)

Address FFFFFFF0

Figure 18-1. IRQ Index Offset Vector Register (IRQIVEC)


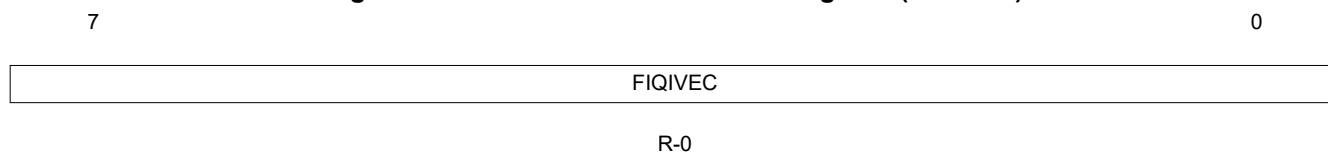
LEGEND: R/W = Read/Write; R = Read only; -n = value after reset

Table 18-1. IRQ Index Offset Vector Register (IRQIVEC) Register Field Descriptions

Bit	Field	Type	Reset	Description
7-0	IRQIVEC	R	0	Index of the IRQ Pending Interrupt (Cleared upon read) 0 = No interrupt pending 1 = Pending interrupt on Channel 0 2 = Pending interrupt on Channel 1 N = Pending interrupt on Channel N-1, where N <= 31

18.2 FIQ Index Offset Vector Register (FIQIVEC)

Address FFFFFFF24

Figure 18-2. FIQ Index Offset Vector Register (FIQIVEC)


LEGEND: R/W = Read/Write; R = Read only; -n = value after reset

Table 18-2. FIQ Index Offset Vector Register (FIQIVEC) Register Field Descriptions

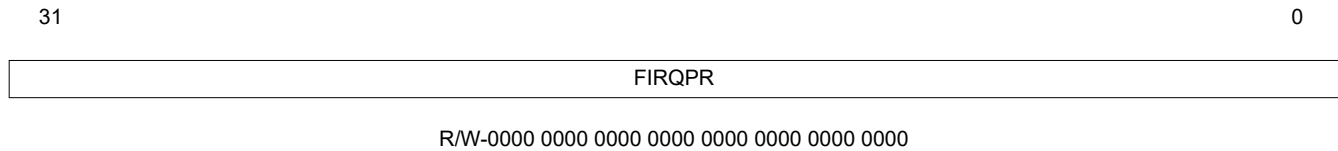
Bit	Field	Type	Reset	Description
7-0	FIQIVEC	R	0	Index of the FIQ pending interrupt (Cleared upon read) 0 = No interrupt pending 1 = Pending interrupt on Channel 0 2 = Pending interrupt on Channel 1 N = Pending interrupt on Channel N-1, where N <= 31

18.3 FIQ/IRQ Program Control Register (FIRQPR)

Address FFFFFFF2C

A 32-bit FIQ/IRQ program control Register (FIRQPR) determines whether a given interrupt request will be FIQ or IRQ type.

Figure 18-3. FIQ/IRQ Program Control Register (FIRQPR)



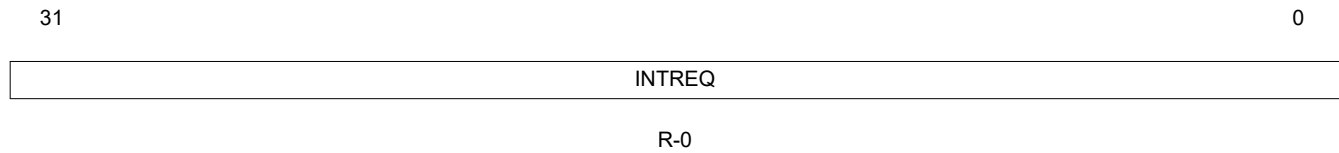
LEGEND: R/W = Read/Write; R = Read only; -n = value after reset

Table 18-3. FIQ/IRQ Program Control Register (FIRQPR) Register Field Descriptions

Bit	Field	Type	Reset	Description
31-0	FIRQPR	R/W	0000 0000 0000 0000 0000 0000 0000 0000	These bits determine whether an interrupt request from a peripheral is of type FIQ or IRQ. Each bit corresponds to one request channel. This Register is writeable in privilege mode only. 0 = Interrupt request is of IRQ type (Default) 1 = Interrupt request is of FIQ type

18.4 Pending Interrupt Read Location Register (INTREQ)

Address FFFFFFF30

Figure 18-4. Pending Interrupt Read Location Register (INTREQ)


LEGEND: R/W = Read/Write; R = Read only; -n = value after reset

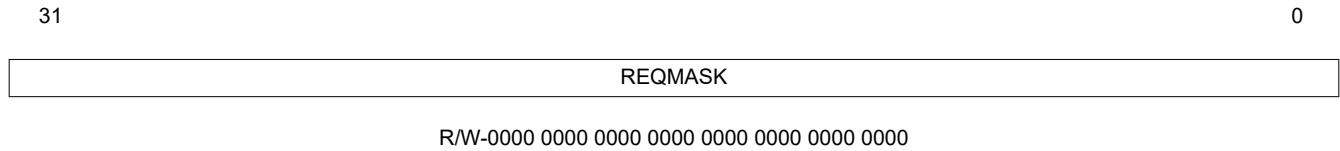
Table 18-4. Pending Interrupt Read Location Register (INTREQ) Register Field Descriptions

Bit	Field	Type	Reset	Description
31-0	INTREQ	R	0	Pending Interrupt Requests 0 = No interrupt has occurred 1 = Interrupt is pending

18.5 Interrupt Mask Register (REQMASK)

Address FFFFFFF34

Figure 18-5. Interrupt Mask Register (REQMASK)



LEGEND: R/W = Read/Write; R = Read only; -n = value after reset

Table 18-5. Interrupt Mask Register (REQMASK) Register Field Descriptions

Bit	Field	Type	Reset	Description
31-0	REQMASK	R/W	0000 0000 0000 0000 0000 0000 0000 0000	Interrupt Request Mask Select 0 = Interrupt request channel is disabled (Default) 1 = Interrupt request channel is enabled

Revision History



NOTE: Page numbers for previous revisions may differ from page numbers in the current version.

Changes from Revision D (May 2020) to Revision E (February 2025)	Page
• Updated Cycle by Cycle Current Limit Enable section.....	48
• Updated Event Update Select section.....	55

IMPORTANT NOTICE AND DISCLAIMER

TI PROVIDES TECHNICAL AND RELIABILITY DATA (INCLUDING DATA SHEETS), DESIGN RESOURCES (INCLUDING REFERENCE DESIGNS), APPLICATION OR OTHER DESIGN ADVICE, WEB TOOLS, SAFETY INFORMATION, AND OTHER RESOURCES "AS IS" AND WITH ALL FAULTS, AND DISCLAIMS ALL WARRANTIES, EXPRESS AND IMPLIED, INCLUDING WITHOUT LIMITATION ANY IMPLIED WARRANTIES OF MERCHANTABILITY, FITNESS FOR A PARTICULAR PURPOSE OR NON-INFRINGEMENT OF THIRD PARTY INTELLECTUAL PROPERTY RIGHTS.

These resources are intended for skilled developers designing with TI products. You are solely responsible for (1) selecting the appropriate TI products for your application, (2) designing, validating and testing your application, and (3) ensuring your application meets applicable standards, and any other safety, security, regulatory or other requirements.

These resources are subject to change without notice. TI grants you permission to use these resources only for development of an application that uses the TI products described in the resource. Other reproduction and display of these resources is prohibited. No license is granted to any other TI intellectual property right or to any third party intellectual property right. TI disclaims responsibility for, and you will fully indemnify TI and its representatives against, any claims, damages, costs, losses, and liabilities arising out of your use of these resources.

TI's products are provided subject to [TI's Terms of Sale](#) or other applicable terms available either on [ti.com](https://www.ti.com) or provided in conjunction with such TI products. TI's provision of these resources does not expand or otherwise alter TI's applicable warranties or warranty disclaimers for TI products.

TI objects to and rejects any additional or different terms you may have proposed.

Mailing Address: Texas Instruments, Post Office Box 655303, Dallas, Texas 75265

Copyright © 2025, Texas Instruments Incorporated