

DRV8411A Dual H-Bridge Motor Driver with Current Regulation

1 Features

- Dual H-bridge motor driver, can drive -
 - One bipolar stepper motor
 - One or two brushed DC motors
 - Solenoids and other inductive loads
- Low ON-resistance: HS + LS = 400mΩ (Typical, 25°C)
- Wide Power Supply Voltage Range
 - 1.65 to 11V
- Pin-to-pin compatible with -
 - [DRV8833](#): 360mΩ/bridge
 - [DRV8833C](#): 1735mΩ/bridge
 - [DRV8847](#): 1000mΩ/bridge
 - [DRV8410](#): 800mΩ/bridge
 - [DRV8411](#): 400mΩ/bridge
- High output current capability: 4A Peak
- PWM control interface
- Supports 1.8V, 3.3V, and 5V logic inputs
- Integrated current regulation
- I_{PROPI} current sense output for stall detection
- Low-power sleep mode
 - ≤ 40nA at V_{VM} = 5V, T_J = 25°C
- Small package and footprint
 - 16-pin HTSSOP with PowerPAD™, 5.0×4.4mm
 - 16-Pin WQFN with PowerPAD™, 3.0×3.0mm
- Integrated protection features
 - VM undervoltage lockout (UVLO)
 - Auto-retry overcurrent protection (OCP)
 - Thermal shutdown (TSD)
 - Fault Indication Pin (nFAULT)

2 Applications

- [Battery-Powered Toys](#)
- [POS Printers](#)
- [Video Security Cameras](#)
- Office Automation Machines
- [Gaming Machines](#)
- [Robotics](#)
- [Electronic Smart Locks](#)
- General purpose solenoid loads

3 Description

The DRV8411A is a dual H-bridge motor driver that can drive one or two DC brush motors, one stepper motor, solenoids, or other inductive loads. The tripler charge pump allows the device to operate down to 1.65V to accommodate 1.8V supply rails and low-battery conditions. The charge pump integrates all capacitors and allows for 100% duty cycle operation. The inputs and outputs can be paralleled to drive high current brush DC motors with half the R_{DS(on)}.

The device implements current sensing and regulation. Internal current mirrors output the current sense information on the I_{PROPI} pins, eliminating the need for large power shunt resistors, thereby saving board area and reducing system cost. The I_{PROPI} outputs allow a microcontroller to detect motor stall or changes in load conditions. Using the VREF pin, the devices can regulate the motor current during startup and high-load events without interaction from a microcontroller.

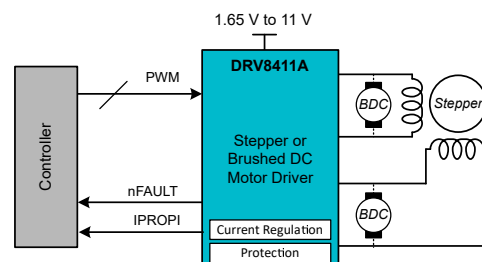
A low-power sleep mode achieves ultra-low quiescent current draw by shutting down most of the internal circuitry. Internal protection features include undervoltage, overcurrent, and overtemperature.

The DRV8411A is part of a family of devices which come in pin-to-pin, scalable R_{DS(ON)} options to support various loads with minimal design changes. See [Section 4](#) for information on the devices in this family. View our full portfolio of [brushed motor drivers](#) on ti.com.

Device Information⁽¹⁾

PART NUMBER	PACKAGE	PACKAGE SIZE (NOM) ⁽²⁾
DRV8411A	HTSSOP (16)	5.00mm × 6.40mm
	WQFN (16)	3.00mm × 3.00mm

- For all available packages, see the orderable addendum at the end of the data sheet.
- The package size (length × width) is a nominal value and includes pins, where applicable.



Simplified Schematic



Table of Contents

1 Features	1	8.3 External Components.....	12
2 Applications	1	8.4 Feature Description.....	12
3 Description	1	8.5 Device Functional Modes.....	19
4 Device Comparison	3	8.6 Pin Diagrams.....	20
5 Pin Configuration and Functions	3	9 Application and Implementation	21
6 Specifications	5	9.1 Application Information.....	21
6.1 Absolute Maximum Ratings.....	5	9.2 Power Supply Recommendations.....	35
6.2 ESD Ratings.....	5	9.3 Layout.....	36
6.3 Recommended Operating Conditions.....	5	10 Device and Documentation Support	38
6.4 Thermal Information.....	6	10.1 Documentation Support.....	38
6.5 Electrical Characteristics.....	6	10.2 Receiving Notification of Documentation Updates..	38
6.6 Timing Diagrams.....	7	10.3 Community Resources.....	38
7 Typical Characteristics	8	10.4 Trademarks.....	38
8 Detailed Description	11	11 Revision History	38
8.1 Overview.....	11	12 Mechanical, Packaging, and Orderable Information	39
8.2 Functional Block Diagram.....	11		

4 Device Comparison

Table 4-1. Device Comparison Table

Device Name	Supply Voltage (V)	R _{DS(on)} (mΩ)	Overcurrent Protection limit (A)	Current Regulation	Current-Sense Feedback	Direct Pin-to-Pin Replacement	Pin-to-Pin Replacement with Modifications
DRV8410	1.65 to 11	800	2.5	External Shunt Resistor	External Amplifier	DRV8833, DRV8833C	DRV8847
DRV8411	1.65 to 11	400	4				
DRV8411A	1.65 to 11	400		Internal current mirror (IPROPI)		N/A	DRV8833, DRV8833C, DRV8847

5 Pin Configuration and Functions

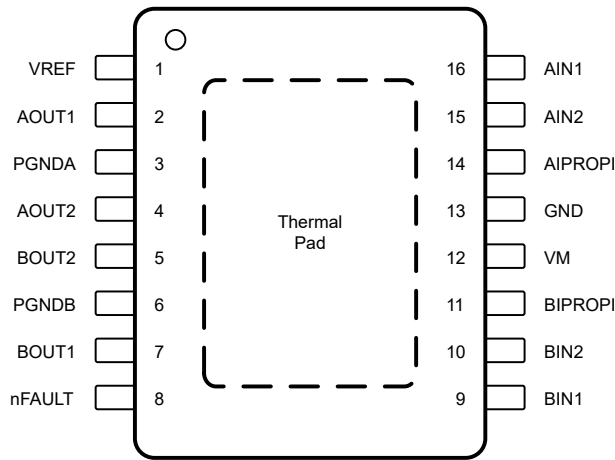


Figure 5-1. PWP or DYZ Package 16-Pin HTSSOP Top View

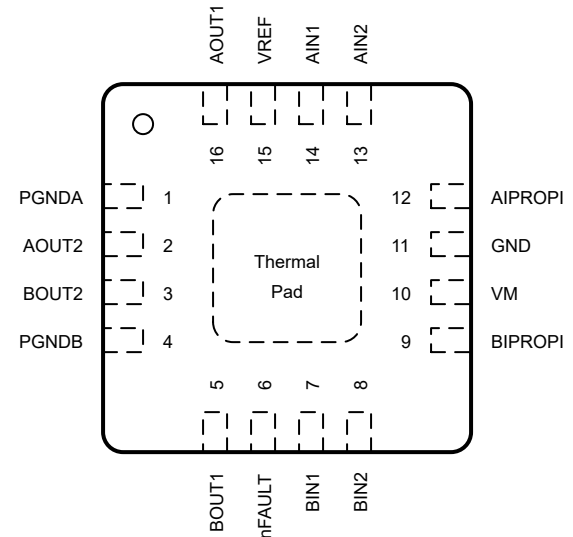


Figure 5-2. RTE Package 16-Pin WQFN Top View

NAME	PIN		TYPE ⁽¹⁾	DESCRIPTION
	RTE	PWP, DYZ		
AIN1	14	16	I	H-bridge control input for full bridge A (AOUT1, AOUT2). See Section 8.4.1 . Internal pulldown resistor.
AIN2	13	15	I	H-bridge control input for full bridge A (AOUT1, AOUT2). See Section 8.4.1 . Internal pulldown resistor.
AIPROPI	12	14	O	Analog current output proportional to load current for full bridge A (AOUT1, AOUT2). See Section 8.4.2 .
AOUT1	16	2	O	Bridge A output 1
AOUT2	2	4	O	Bridge A output 2
BIN1	7	9	I	H-bridge control input for full bridge B (BOUT1, BOUT2). See Section 8.4.1 . Internal pulldown resistor.
BIN2	8	10	I	H-bridge control input for full bridge B (BOUT1, BOUT2). See Section 8.4.1 . Internal pulldown resistor.
BIPROPI	9	11	O	Analog current output proportional to load current for full bridge B (BOUT1, BOUT2). See Section 8.4.2 .
BOUT1	5	7	O	Bridge B output 1
BOUT2	3	5	O	Bridge B output 2
GND	11	13	PWR	Device ground. Connect to system ground.

PIN			TYPE ⁽¹⁾	DESCRIPTION
NAME	RTE	PWP, DYZ		
nFAULT	6	8	OD	Fault indicator output. Pulled low during a fault condition. Connect an external pullup resistor for open-drain operation. See Section 8.4.3 .
PAD	—	—	—	Thermal pad. Connect to system ground.
PGNDA	1	3	PWR	Device power ground for full bridge A (AOUT1, AOUT2). Connect to system ground.
PGNDB	4	6	PWR	Device power ground for full bridge B (BOUT1, BOUT2). Connect to system ground.
VM	10	12	PWR	1.65-V to 11-V power supply input. Connect a 0.1- μ F bypass capacitor to ground, as well as sufficient Bulk Capacitance rated for VM.
VREF	15	1	I	External reference voltage input to set internal current regulation limit..See Section 8.4.2 .

(1) PWR = power, I = input, O = output, NC = no connection, OD = open-drain

6 Specifications

6.1 Absolute Maximum Ratings

over operating temperature range (unless otherwise noted)⁽¹⁾

		MIN	MAX	UNIT
Power supply pin voltage	VM	-0.5	12	V
Power supply transient voltage ramp	VM	0	2	V/μs
Voltage difference between ground pins	GND, PGND, PGND	-0.6	0.6	V
Logic pin voltage	AIN1, AIN2, BIN1, BIN2	-0.3	5.75	V
Open-drain output pin voltage	nFAULT	0.3	5.75	V
Proportional current output pin voltage, VM ≥ 5.45 V	AIPROPI, BIPROPI	-0.3	5.75	V
Proportional current output pin voltage, VM < 5.45 V		-0.3	V _{VM} + 0.3	V
Reference input pin voltage	VREF	0.3	5.75	V
Output pin voltage	AOUT1, AOUT2, BOUT1, BOUT2	-V _{SD}	V _{VM} +V _{SD}	V
Output current	AOUT1, AOUT2, BOUT1, BOUT2	Internally Limited	Internally Limited	A
Ambient temperature, T _A		-40	125	°C
Junction temperature, T _J		-40	150	°C
Storage temperature, T _{stg}		-65	150	°C

- (1) Stresses beyond those listed under *Absolute Maximum Rating* may cause permanent damage to the device. These are stress ratings only, which do not imply functional operation of the device at these or any other conditions beyond those indicated under *Recommended Operating Condition*. Exposure to absolute-maximum-rated conditions for extended periods may affect device reliability.

6.2 ESD Ratings

			VALUE	UNIT
V _(ESD)	Electrostatic discharge	Human body model (HBM), per ANSI/ESDA/JEDEC JS-001 ⁽¹⁾	±2000	V
		Charged device model (CDM), per JEDEC specification JESD22-C101 ⁽²⁾	±500	

- (1) JEDEC document JEP155 states that 500-V HBM allows safe manufacturing with a standard ESD control process. Pins listed as ±2000 V may actually have higher performance.
- (2) JEDEC document JEP157 states that 250-V CDM allows safe manufacturing with a standard ESD control process. Pins listed as ±500 V may actually have higher performance.

6.3 Recommended Operating Conditions

over operating temperature range (unless otherwise noted)

			MIN	NOM	MAX	UNIT
V _{VM}	Power supply voltage	VM	1.65		11	V
V _{IN}	Logic input voltage	AIN1, AIN2, BIN1, BIN2	0		5.5	V
f _{PWM}	PWM frequency	AIN1, AIN2, BIN1, BIN2	0		100	kHz
V _{OD}	Open drain pullup voltage	nFAULT	0		5.5	V
I _{OD}	Open drain output current	nFAULT	0		5	mA
I _{OUT} ⁽¹⁾	Peak output current	OUTx	0		I _{OCP,min}	A
I _{IPROPI}	Current sense output current	AIPROPI, BIPROPI	0		1	mA
V _{VREF}	Current limit reference voltage, VM ≥ 3.6 V	VREF	0		3.6	V
V _{VREF}	Current limit reference voltage, VM < 3.6 V	VREF	0		VM	V
T _A	Operating ambient temperature		-40		125	°C

over operating temperature range (unless otherwise noted)

		MIN	NOM	MAX	UNIT
T_J	Operating junction temperature	-40		150	°C

(1) Power dissipation and thermal limits must be observed

6.4 Thermal Information

THERMAL METRIC ⁽¹⁾		DEVICE	DEVICE	UNIT
		PWP (HTSSOP)	RTE (WQFN)	
		PINS	PINS	
$R_{\theta JA}$	Junction-to-ambient thermal resistance	45.1	49.7	°C/W
$R_{\theta JC(top)}$	Junction-to-case (top) thermal resistance	43.7	50.9	°C/W
$R_{\theta JB}$	Junction-to-board thermal resistance	19.9	23.5	°C/W
Ψ_{JT}	Junction-to-top characterization parameter	2.6	1.7	°C/W
Ψ_{JB}	Junction-to-board characterization parameter	19.9	23.5	°C/W
$R_{\theta JC(bot)}$	Junction-to-case (bottom) thermal resistance	4.9	10.8	°C/W

(1) For more information about traditional and new thermal metrics, see the [Semiconductor and IC Package Thermal Metrics](#) application report.

6.5 Electrical Characteristics

1.65 V ≤ V_{VM} ≤ 11 V, -40°C ≤ T_J ≤ 150°C (unless otherwise noted). Typical values are at $T_J = 27^\circ\text{C}$ and $V_{VM} = 5\text{ V}$.

PARAMETER		TEST CONDITIONS	MIN	TYP	MAX	UNIT
POWER SUPPLIES (VM)						
I_{VMQ}	VM sleep mode current	$V_{VM} = 5\text{ V}$, $T_J = 27^\circ\text{C}$		4	40	nA
I_{VM}	VM active mode current	$xIN1 = 3.3\text{ V}$, $xIN2 = 0\text{ V}$, $V_{VM} = 5\text{ V}$		2.3	4	mA
t_{WAKE}	Turnon time	Sleep mode to active mode delay			100	µs
$t_{AUTOSLEEP}$	Autosleep turnoff time	Active mode to autosleep mode delay	0.7		1.5	ms
LOGIC-LEVEL INPUTS (AIN1, AIN2, BIN1, BIN2)						
V_{IL}	Input logic low voltage		0		0.4	V
V_{IH}	Input logic high voltage		1.45		5.5	V
V_{HYS_logic}	Logic Input hysteresis		50			mV
I_{IL}	Input logic low current	$V_{xINx} = 0\text{ V}$	-1		1	µA
I_{IH}	Input logic high current	$V_{xINx} = 5\text{ V}$	20		70	µA
R_{PD}	Input pulldown resistance			100		kΩ
$t_{DEGLITCH}$	Input logic deglitch			50		ns
OPEN-DRAIN OUTPUTS (nFAULT)						
V_{OL}	Output logic low voltage	$I_{OD} = 5\text{ mA}$			0.3	V
I_{OZ}	Output logic high current	$V_{OD} = 5\text{ V}$	-1		1	µA
DRIVER OUTPUTS (AOUT1, AOUT2, BOUT1, BOUT2)						
$R_{HS_DS(ON)}$	High-side MOSFET on resistance	$I_{OUTx} = 0.2\text{ A}$		200		mΩ
$R_{LS_DS(ON)}$	Low-side MOSFET on resistance	$I_{OUTx} = -0.2\text{ A}$		200		mΩ
V_{SD}	Body diode forward voltage	$I_{OUTx} = -0.5\text{ A}$		1		V
t_{RISE}	Output rise time	V_{OUTx} rising from 10% to 90% of V_{VM} , $V_{VM} = 5\text{ V}$		100		ns
t_{FALL}	Output fall time	V_{OUTx} falling from 90% to 10% of V_{VM} , $V_{VM} = 5\text{ V}$		50		ns
t_{PD}	Input to output propagation delay	Input crosses 0.8 V to $V_{OUTx} = 0.1 \times V_{VM}$, $I_{OUTx} = 1\text{ A}$		600		ns
t_{DEAD}	Output dead time			400		ns

1.65 V ≤ V_{VM} ≤ 11 V, -40°C ≤ T_J ≤ 150°C (unless otherwise noted). Typical values are at T_J = 27 °C and V_{VM} = 5 V.

PARAMETER	TEST CONDITIONS	MIN	TYP	MAX	UNIT	
CURRENT SENSE AND REGULATION						
A _{I_{PROPI}}	Current mirror scaling factor		200		μA/A	
A _{ERR}	Current mirror total error	I _{OUT} = 1 A, V _{I_{PROPI}} ≤ min(V _M -1.25 V, 3.3 V), 3.3 V ≤ V _{VM} ≤ 11 V		-6	6	%
		I _{OUT} = 1 A, V _{I_{PROPI}} ≤ min(V _M -1.25 V, 3.3 V), 1.65 V ≤ V _{VM} ≤ 3.3 V		-9	6	%
t _{OFF}	Current regulation off time		20		μs	
t _{BLANK}	Current regulation blanking time		1.8		μs	
t _{DELAY}	Current sense delay time		2		μs	
t _{DEG}	Current regulation deglitch time		1		μs	
PROTECTION CIRCUITS						
V _{UVLO}	Supply undervoltage lockout (UVLO)	Supply rising		1.6	V	
		Supply falling	1.3		V	
V _{UVLO_HYS}	Supply UVLO hysteresis	Rising to falling threshold		100	mV	
t _{UVLO}	Supply undervoltage deglitch time	V _{VM} falling to OUTx disabled		10	μs	
I _{OC}	Overcurrent protection trip point	4			A	
t _{OC}	Overcurrent protection deglitch time		4.2		μs	
t _{RETRY}	Overcurrent protection retry time		1.6		ms	
T _{TSD}	Thermal shutdown temperature	153		193	°C	
T _{HYS}	Thermal shutdown hysteresis		18		°C	

6.6 Timing Diagrams

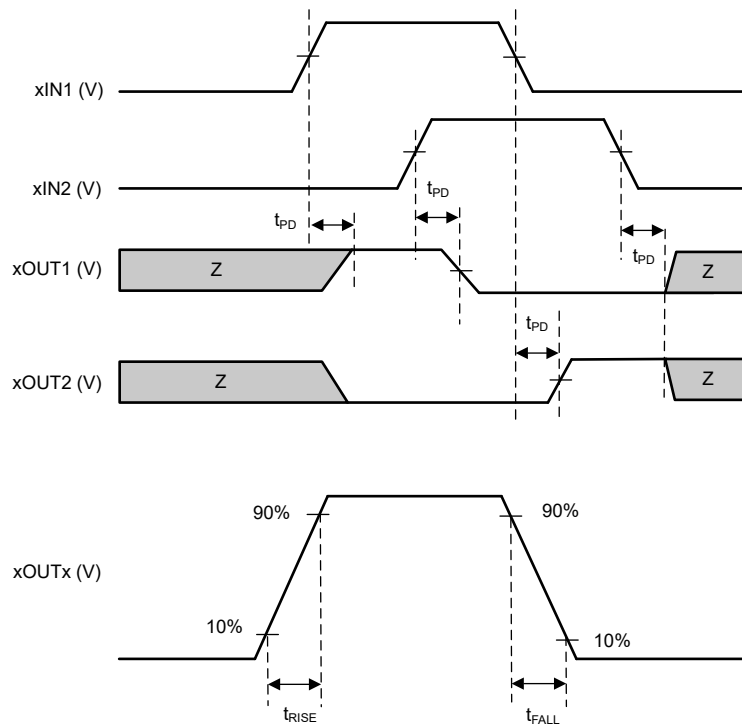


Figure 6-1. Input-to-Output Timing

7 Typical Characteristics

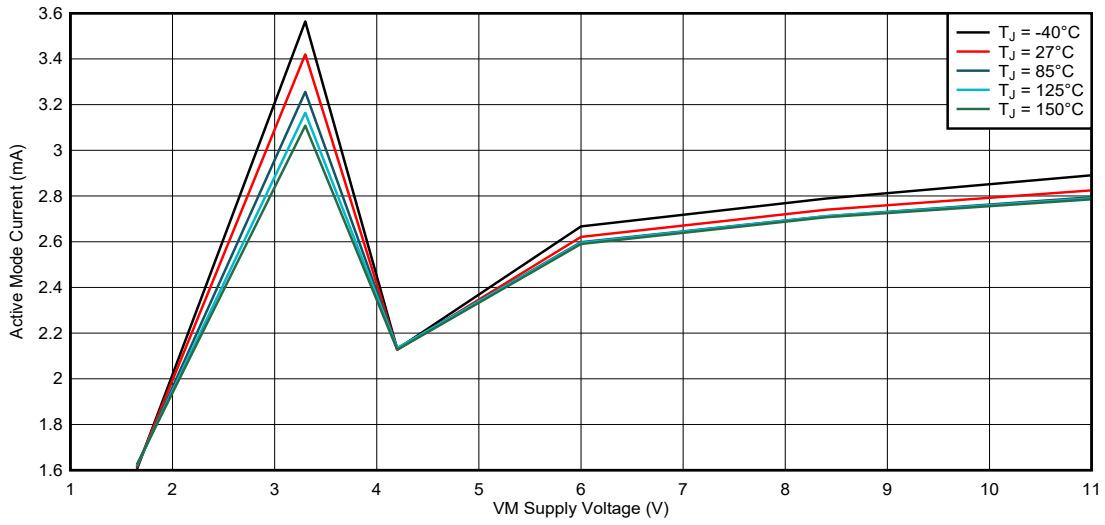


Figure 7-1. Active Mode Current

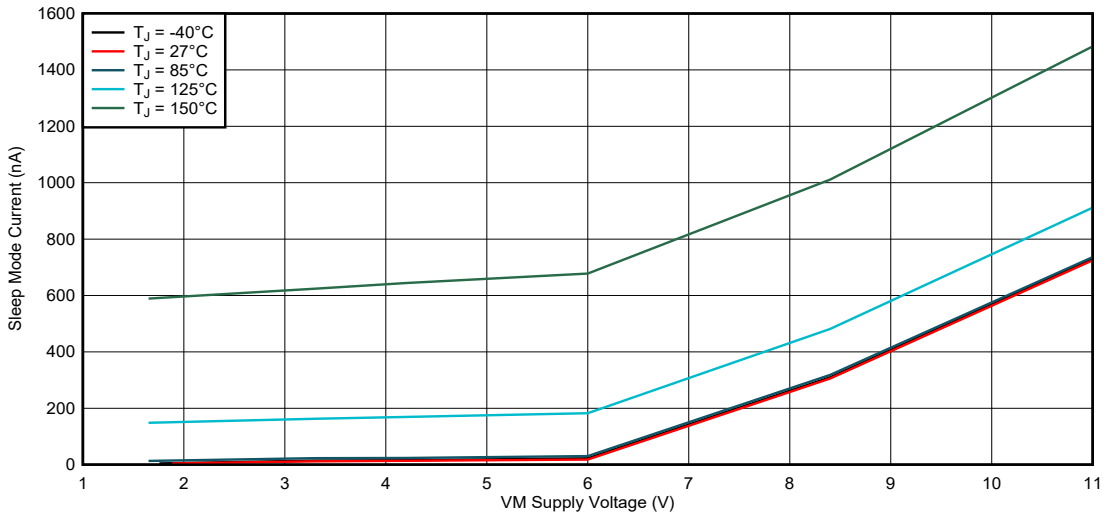


Figure 7-2. Sleep Mode Current

7 Typical Characteristics (continued)

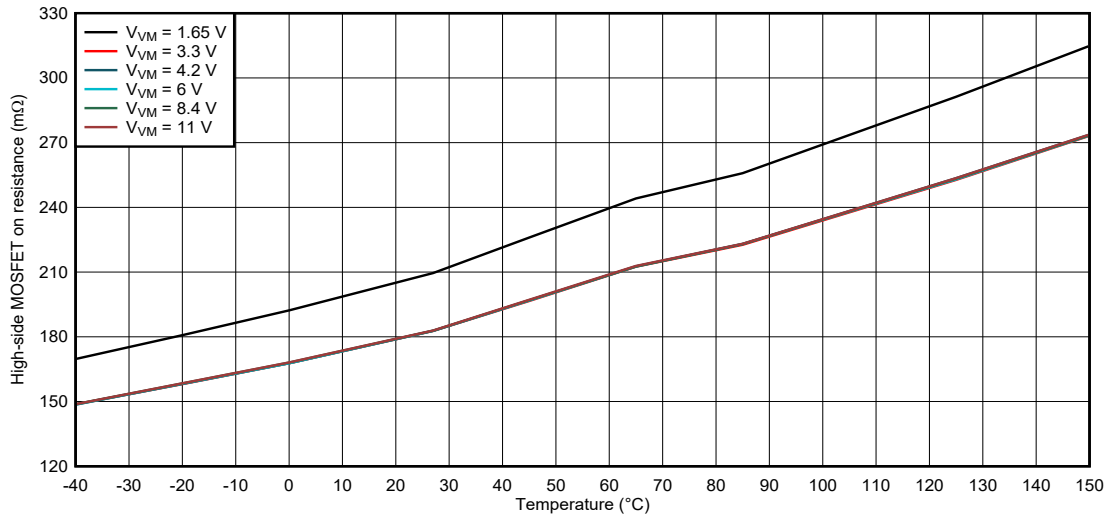


Figure 7-3. High-side MOSFET on resistance

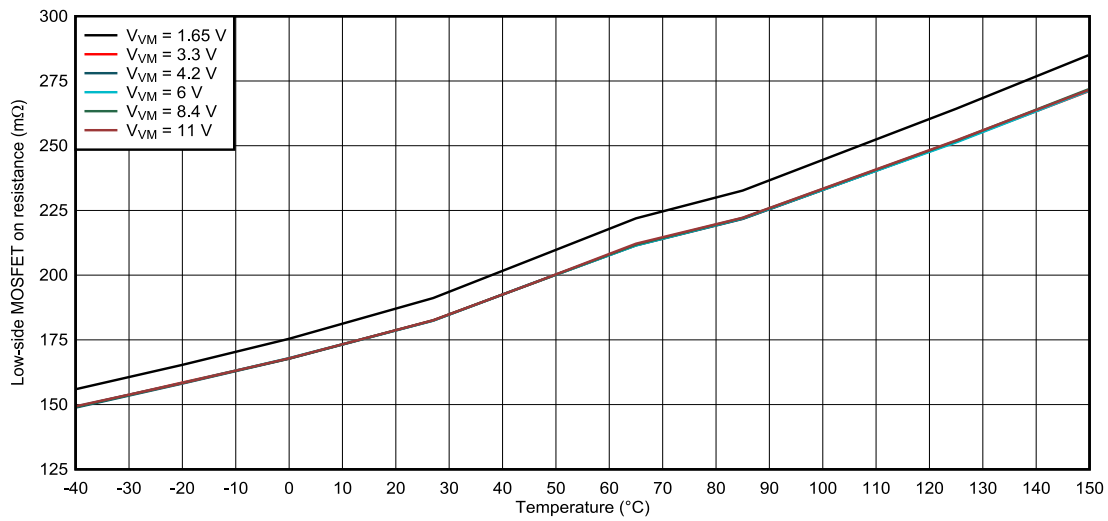


Figure 7-4. Low-side MOSFET on resistance

7 Typical Characteristics (continued)

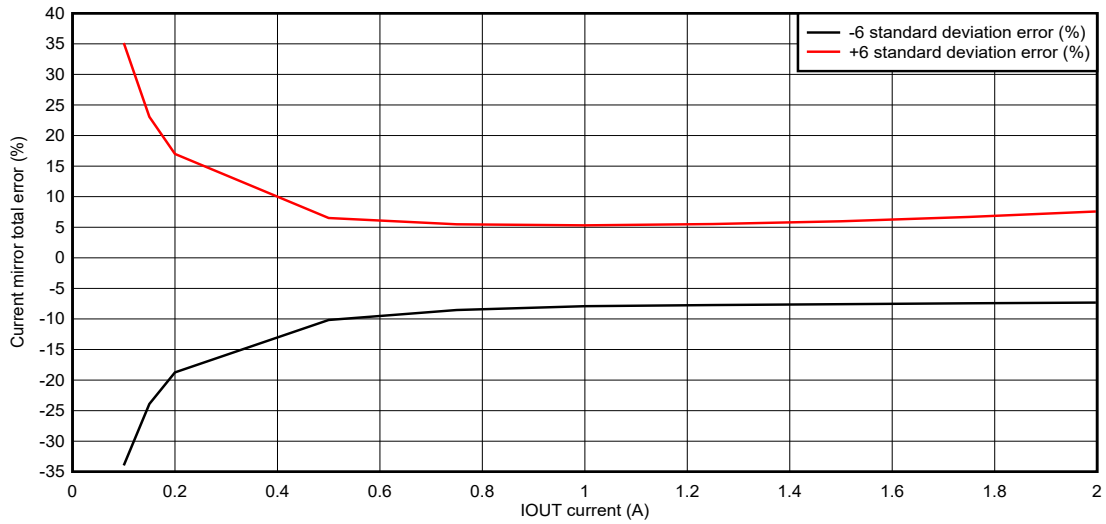


Figure 7-5. Current mirror scaling factor, VM = 1.65 V to 3.3 V

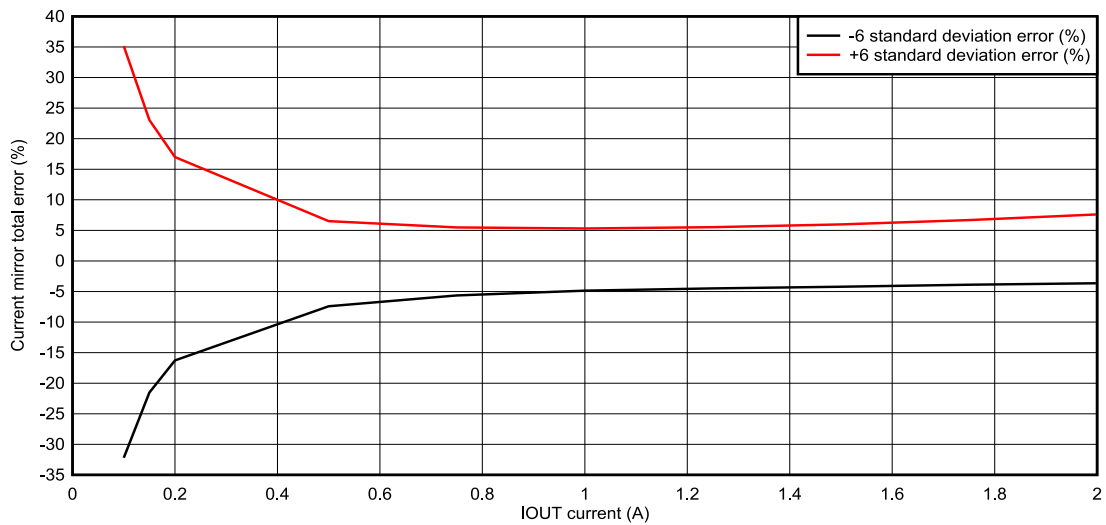


Figure 7-6. Current mirror scaling factor, VM = 3.3 V to 11 V

8 Detailed Description

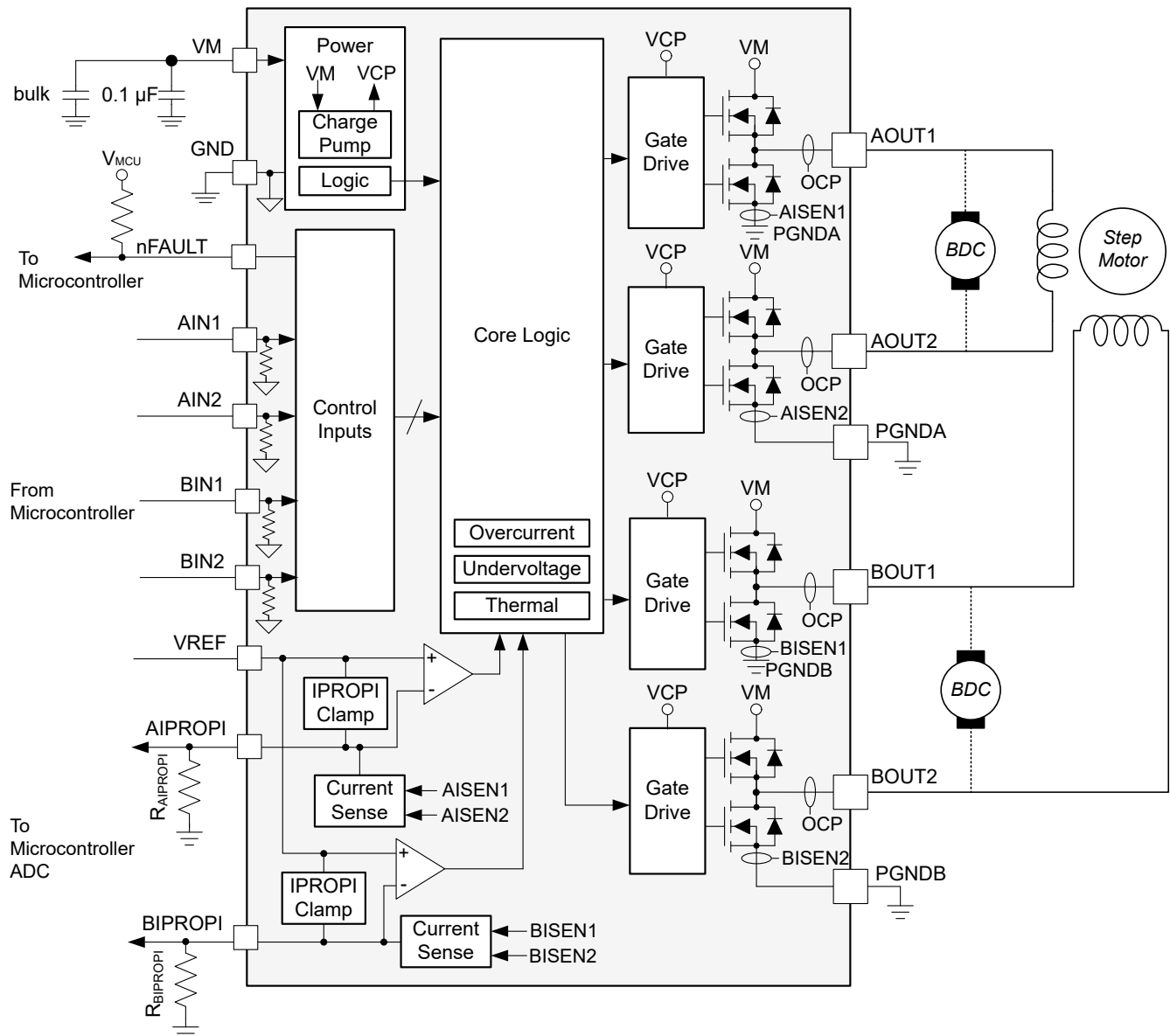
8.1 Overview

The DRV8411A device is a dual H-bridge motor driver for driving two brushed DC motors or one stepper motor from a 1.65V to 11V supply rail. The integrated current regulation feature limits motor current to a predefined maximum based on the VREF and xIPROPI settings. The xIPROPI signal can provide current feedback to a microcontroller during both the drive and brake/slow-decay states of the H-bridge.

Two logic inputs control each H-bridge, which consists of four N-channel MOSFETs that have a typical $R_{DS(ON)}$ of 400mΩ (including one high-side and one low-side FET). A single power input, VM, serves as both device power and the motor winding bias voltage. The integrated charge pump of the device boosts VM internally and fully enhances the high-side FETs. Motor speed can be controlled with pulse-width modulation, at frequencies between 0 to 100kHz. The device enters a low-power sleep mode by bringing all four inputs low.

A variety of integrated protection features protect the device in the case of a system fault. These include undervoltage lockout (UVLO), overcurrent protection (OCP), and overtemperature shutdown (TSD).

8.2 Functional Block Diagram



8.3 External Components

Table 8-1 lists the recommended values of the external components for the driver.

Table 8-1. DRV8411A External Components

COMPONENT	PIN 1	PIN 2	RECOMMENDED
C _{VM1}	VM	GND	VM-rated capacitor, 10 μ F minimum
C _{VM2}	VM	GND	0.1- μ F, VM rated ceramic capacitor
R _{nFAULT}	VEXT ⁽¹⁾	nFAULT	Pullup resistor, I _{OD} \leq 5 mA
R _{AIPROPI}	AIPROPI	GND	Sense resistor, see Section 8.4.2.1 for sizing
R _{BIPROPI}	BIPROPI	GND	Sense resistor, see Section 8.4.2.1 for sizing

(1) VEXT is not a pin on the DRV8411A, but a pullup resistor on the VEXT external supply voltage is required for the open-drain output, nFAULT.

8.4 Feature Description

8.4.1 Bridge Control

The DRV8411A has two identical H-bridge motor drivers. The input pins, AINx and BINx, control the corresponding outputs, AOUTx and BOUTx, respectively. Table 8-2 shows how the inputs control the H-bridge outputs.

Table 8-2. H-Bridge Control

xIN1	xIN2	xOUT1	xOUT2	DESCRIPTION
X	X	High-Z	High-Z	Low-power sleep mode
0	0	High-Z	High-Z	Coast/ fast decay; H-bridge disabled to High-Z
0	1	L	H	Reverse (Current OUT2 \rightarrow OUT1)
1	0	H	L	Forward (Current OUT1 \rightarrow OUT2)
1	1	L	L	Brake; low-side slow decay

The inputs can be set to constant voltages for 100% duty cycle drive, or they can be pulse-width modulated (PWM) for variable motor speed. When using PWM, switching between driving (forward or reverse) and slow-decay states typically works best. For example, to drive a motor forward with 50% of the maximum RPM, IN1 = 1 and IN2 = 0 during the driving period or PWM "on" time, and IN1 = 1 and IN2 = 1 during the PWM "off" time.

Alternatively, the coast mode (IN1 = 0, IN2 = 0) for fast current decay is also available. To PWM using fast decay, the PWM signal is applied to one xIN pin while the other is held low, as shown below.

Table 8-3. PWM Control of Motor Speed

xIN1	xIN2	DESCRIPTION
PWM	0	Forward PWM, fast decay
1	PWM	Forward PWM, slow decay
0	PWM	Reverse PWM, fast decay
PWM	1	Reverse PWM, slow decay

Figure 8-1 shows how the motor current flows through the H-bridge. The input pins can be powered before VM is applied.

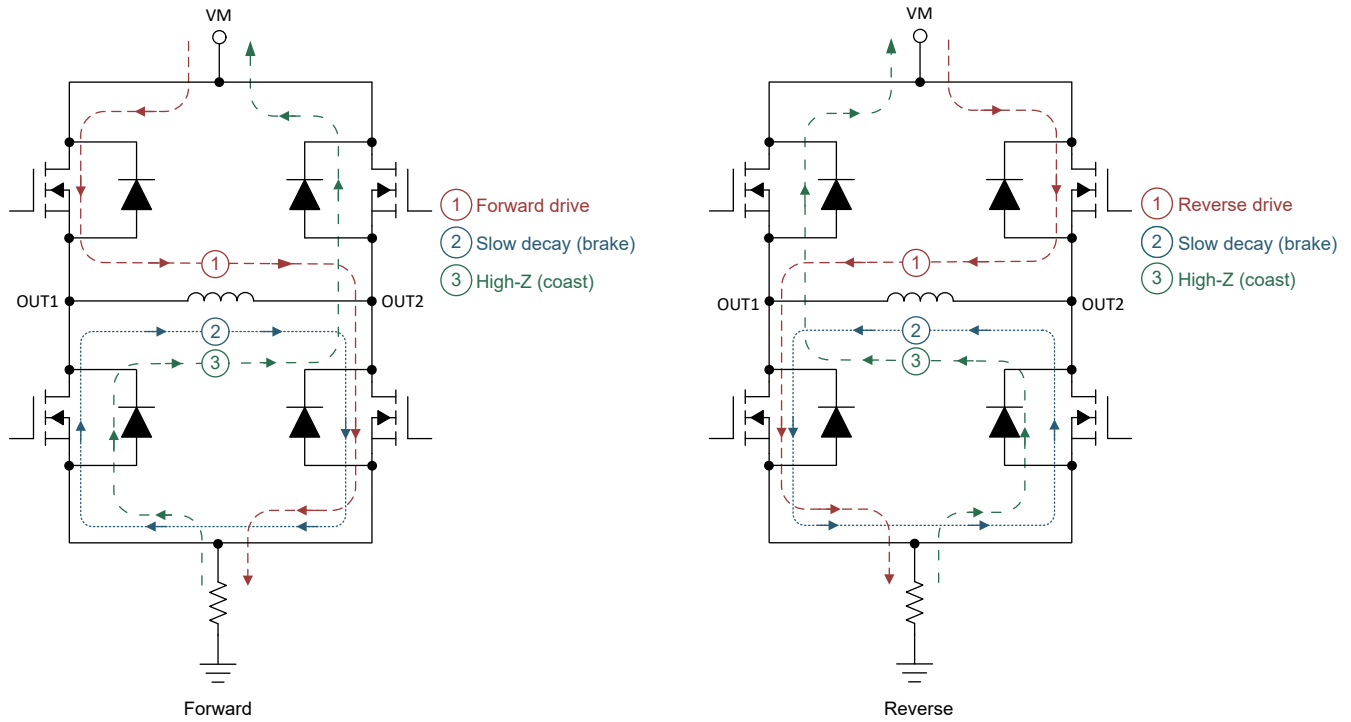


Figure 8-1. H-Bridge Current Paths

When an output changes from driving high to driving low, or driving low to driving high, dead time is automatically inserted to prevent shoot-through. The t_{DEAD} time is the time in the middle when the output is High-Z. If the output pin is measured during t_{DEAD} , the voltage depends on the direction of current. If the current is leaving the pin, the voltage is a diode drop below ground. If the current is entering the pin, the voltage is a diode drop above VM. This diode is the body diode of the high-side or low-side FET.

The propagation delay time (t_{PD}) is measured as the time between an input edge to output change. This time accounts for input deglitch time and other internal logic propagation delays. The input deglitch time prevents noise on the input pins from affecting the output state. Additional output slew delay timing accounts for FET turn on or turn off times (t_{RISE} and t_{FALL}).

Figure 8-2 below shows the timing of the inputs and outputs of the motor driver.

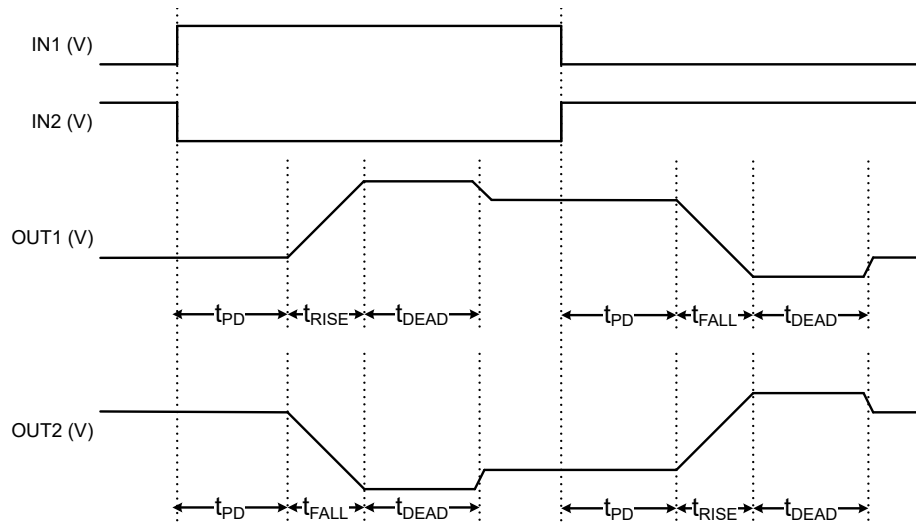


Figure 8-2. H-Bridge Timing Diagram

8.4.1.1 Parallel Bridge Interface

In the parallel bridge interface, the DRV8411A device is configured to drive a higher current brush DC (BDC) motor by connecting the driver outputs in parallel to reduce the $R_{DS(on)}$ by a factor of two. Figure 8-3 shows an example of how to connect the pins on the device. To use parallel bridge interface operation, connect AIN1 and BIN1 to the same control signal, IN1, and connect AIN2 and BIN2 to the same control signal, IN2. Similarly, connect AOUT1 and BOUT1 to the same output node, OUT1, and connect AOUT2 and BOUT2 to the same output node, OUT2.

Note

Current regulation must not be used with parallel mode. The internal current regulation and current feedback should be disabled by tying IPROPI to GND and setting the VREF pin voltage to greater than GND.

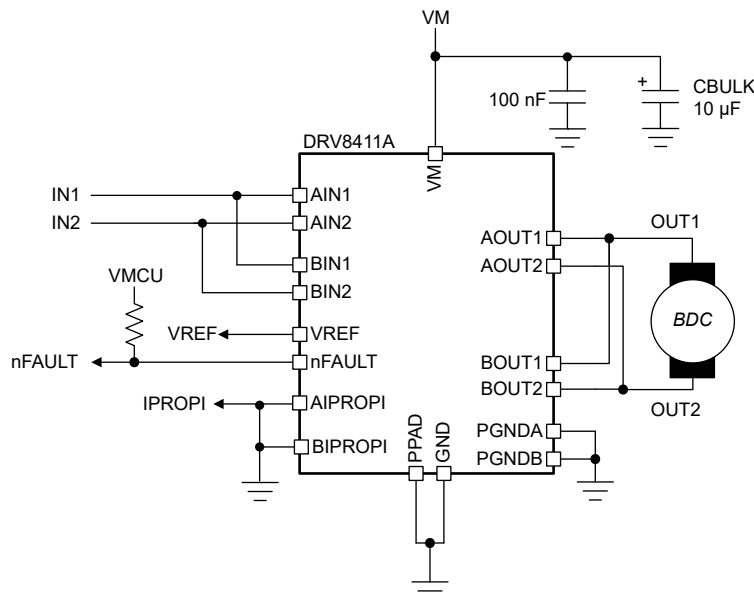


Figure 8-3. Parallel Mode Connections

This mode can deliver the full functionality of the BDC motor control with all four modes (forward, reverse, coast, and brake mode). Table 8-4 shows the control interface states in parallel mode.

Table 8-4. H-Bridge Control

IN1 (AIN1)	IN2 (AIN2)	OUT1 (AOUT1 & BOUT1)	OUT2 (AOUT2 & BOUT2)	DESCRIPTION
0	0	High-Z	High-Z	Coast; H-bridge disabled to High-Z, automatic low-power sleep mode entered after 1ms
0	1	L	H	Reverse (Current OUT2 → OUT1)
1	0	H	L	Forward (Current OUT1 → OUT2)
1	1	H	H	Brake; high-side slow decay

8.4.2 Current Sense and Regulation

The DRV8411A integrates current sensing, regulation, and feedback as part of the IPROPI feature on the AIPROPI and BIPROPI pins. These features allow the device to sense the output current without an external sense resistor or sense circuitry, thereby reducing solution size, cost, and complexity. This also allows for the device to limit the output current in the case of motor stall or high torque events and give detailed feedback to the controller about the load current through a current proportional output. Figure 8-4 shows the IPROPI timings specified in the Electrical Characteristics table.

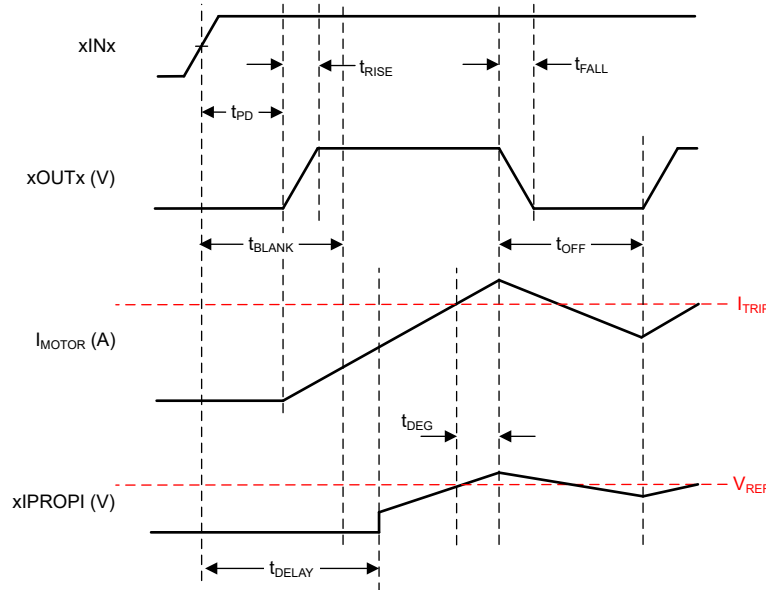


Figure 8-4. Detailed IPROPI Timing Diagram

8.4.2.1 Current Sensing

The IPROPI pins, AIPROPI and BIPROPI, output analog current proportional to the current flowing through the low-side power MOSFETs in the H-bridge scaled by A_{IPROPI} . The IPROPI output current can be calculated by Equation 1. The I_{LSx} in Equation 1 is only valid when the current flows from drain to source in the low-side MOSFET. If current flows from source to drain or through the body diode, the value of I_{LSx} for that channel is zero. For instance, if the bridge is in the brake, slow-decay state, then the current out of IPROPI is only proportional to the current in one of the low-side MOSFETs.

$$I_{PROPI} (\mu A) = (I_{LS1} + I_{LS2}) (A) \times A_{IPROPI} (\mu A/A) \quad (1)$$

The A_{ERR} parameter in the Electrical Characteristics table is the error associated with the A_{IPROPI} gain. It indicates the combined effect of offset error added to the I_{OUT} current and gain error.

The motor current is measured by an internal current mirror architecture on the low-side FETs which removes the need for an external power sense resistor as shown in Figure 8-5. The current mirror architecture allows for the motor winding current to be sensed in both the drive and brake/low-side slow-decay periods allowing for continuous current monitoring in typical bidirectional brushed DC motor applications. In coast mode, the current is freewheeling and cannot be sensed because it flows from source to drain. However, the current can be sampled by briefly reenabling the driver in either drive or slow-decay modes and measuring the current before switching back to coast mode again.

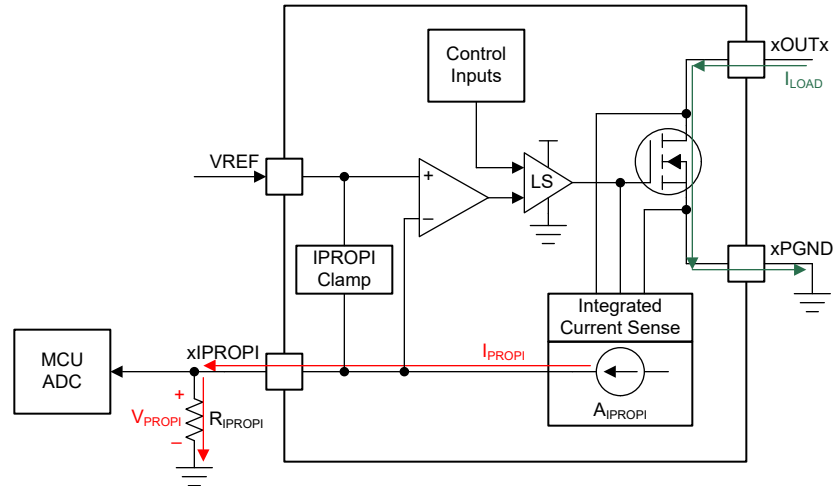


Figure 8-5. Integrated Current Sensing

The IPROPI pin should be connected to an external resistor (R_{IPROPI}) to ground in order to generate a proportional voltage (V_{IPROPI}) on the IPROPI pin with the I_{IPROPI} analog current output. This allows for the load current to be measured as the voltage drop across the R_{IPROPI} resistor with a standard analog to digital converter (ADC). The R_{IPROPI} resistor can be sized based on the expected load current in the application so that the full range of the controller ADC is utilized. Additionally, the DRV8411A device implements an internal IPROPI voltage clamp circuit to limit V_{IPROPI} with respect to V_{VREF} on the VREF pin and protect the external ADC in case of output overcurrent or unexpected high current events.

TI recommends designing for at least 1.25 V of headroom between V_{VM} and the maximum V_{IPROPI} voltage to be measured by the ADC, V_{IPROPI_MAX} . For instance, if V_{VM} is 4.55 V to 11 V, V_{IPROPI_MAX} can be as high as 3.3 V.

The corresponding IPROPI voltage to the output current can be calculated by [Equation 2](#).

$$V_{IPROPI} (V) = I_{IPROPI} (A) \times R_{IPROPI} (\Omega) \quad (2)$$

The IPROPI output bandwidth is limited by the sense delay time (t_{DELAY}) of the internal current sensing circuit. This time is the delay from the low-side MOSFET enable command (from the INx pins) to the IPROPI output being ready.

If the device is alternating between drive and slow-decay (brake) in an H-bridge PWM pattern then the low-side MOSFET sensing the current is continuously on and the sense delay time has no impact to the IPROPI output. If a command on the INx pins disables the low-side MOSFETs (according to the logic tables in [Section 8.4.1](#)), the IPROPI output will disable with the input logic signal. Although the low-side MOSFETs may still conduct current as they disable according to the device slew rate (noted in the Electrical Characteristics table by t_{RISE} time), IPROPI will not represent the current in the low-side MOSFETs during this turnoff time.

8.4.2.2 Current Regulation

The DRV8411A integrates current regulation using a fixed off-time current chopping scheme. This allows the devices to limit the output current in case of motor stall, high torque, or other high current load events without involvement from the external controller as shown in [Figure 8-6](#).

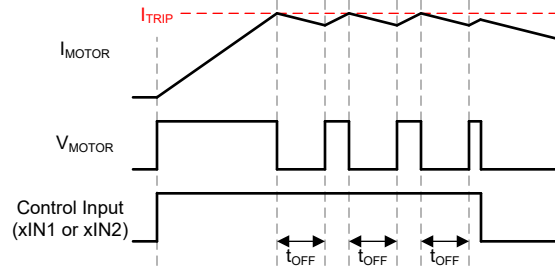


Figure 8-6. Off-Time Current-Regulation

The current chopping threshold (I_{TRIP}) is set through a combination of the VREF voltage (V_{VREF}) and IPROPI output resistor (R_{IPROPI}). This is done by comparing the voltage drop across the external R_{IPROPI} resistor to V_{VREF} with an internal comparator.

$$I_{TRIP} \text{ (A)} \times A_{IPROPI} \text{ (\mu A/A)} = V_{VREF} \text{ (V)} / R_{IPROPI} \text{ (\Omega)} \quad (3)$$

For example, if $V_{VREF} = 3.3 \text{ V}$, $R_{IPROPI} = 10 \text{ k}\Omega$, and $A_{IPROPI} = 200 \text{ }\mu\text{A/A}$, then I_{TRIP} will be approximately 1.65 A.

When $V_{VM} \geq 3.6 \text{ V}$, V_{VREF} can have be set to a voltage up to 3.6 V. When $V_{VM} < 3.6 \text{ V}$, V_{VREF} must be $\leq V_{VM}$.

The fixed off-time current chopping scheme supports up to 100% duty cycle current regulation since the H-bridge automatically enables after the t_{OFF} period and does not require a new control input edge on the xINx pins to reset the outputs. When the motor current exceeds the I_{TRIP} threshold, the outputs will enter a current chopping mode with a fixed off time (t_{OFF}). During t_{OFF} , the H-bridge enters a brake/low-side slow decay state (both low-side MOSFETs ON) for t_{OFF} duration after I_{OUT} exceeds I_{TRIP} . After t_{OFF} , the outputs re-enable according to the control inputs if I_{OUT} is less than I_{TRIP} . If I_{OUT} is still greater than I_{TRIP} , the H-bridge enters another period of brake/low-side slow decay for t_{OFF} . If the state of the xINx control pins changes during the t_{OFF} time, the remainder of the t_{OFF} time is ignored, and the outputs will again follow the inputs.

The I_{TRIP} comparator has both a blanking time (t_{BLANK}) and a deglitch time (t_{DEG}). The internal blanking time helps to prevent voltage and current transients during output switching from effecting the current regulation. These transients may be caused by a capacitor inside the motor or on the connections to the motor terminals. The internal deglitch time ensures that transient conditions do not prematurely trigger the current regulation. In certain cases where the transient conditions are longer than the deglitch time, placing a 10-nF capacitor on the IPROPI pin, close to the device, will help filter the transients on IPROPI output so current regulation does not prematurely trigger. The capacitor value can be adjusted as needed, however large capacitor values may slow down the response time of the current regulation circuitry.

The internal current regulation and current feedback can be disabled by tying IPROPI to GND and setting the VREF pin voltage greater than GND. If current feedback is required and current regulation is not required, set V_{VREF} and R_{IPROPI} such that V_{IPROPI} never reaches the V_{VREF} threshold. For proper operation of the current regulation circuit, V_{VREF} must be within the range of the VREF pin voltages specified in the Recommended Operating Conditions table.

8.4.3 Protection Circuits

The DRV8411A is fully protected against undervoltage, overcurrent and overtemperature events.

8.4.3.1 Overcurrent Protection (OCP)

An analog current limit circuit on each FET limits the current through the FET by limiting the gate drive internally. If this current limit persists for longer than the OCP deglitch time (t_{OCP}), all FETs in the H-bridge will disable and the nFAULT pin will assert low. The driver re-enables after the OCP retry period (t_{RETRY}) has passed. nFAULT becomes high again at this time and normal operation resumes. If the fault condition is still present, the cycle repeats as shown in Figure 8-7. Please note that only the H-bridge where an overcurrent condition is detected will be disabled while the other bridge will function normally.

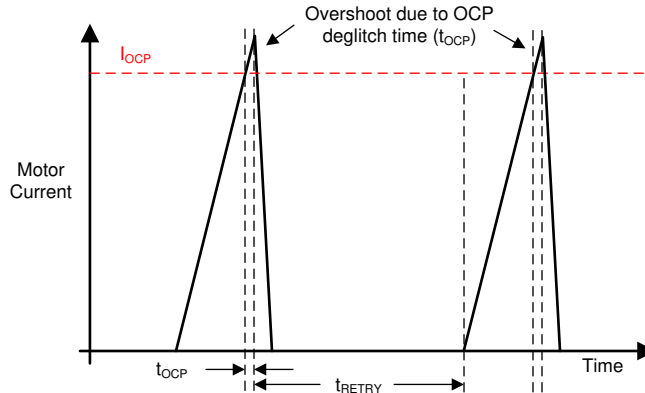


Figure 8-7. OCP Operation

Overcurrent conditions are detected independently on both high- and low-side FETs. This means that a short to ground, supply, or across the motor winding will all result in an overcurrent shutdown. Overcurrent protection does not use the current sense circuitry used for current regulation, so it functions regardless of VREF and IPROPI settings.

8.4.3.2 Thermal Shutdown (TSD)

If the die temperature exceeds safe limits, all FETs in the H-bridge will be disabled and the nFAULT pin asserts low. Once the die temperature has fallen to a safe level, operation will automatically resume.

Any tendency of the device to enter TSD is an indication of either excessive power dissipation, insufficient heatsinking, or an ambient temperature outside of the Recommended Operating Conditions.

8.4.3.3 Undervoltage Lockout (UVLO)

Whenever the voltage on the VM pin falls below the UVLO falling threshold voltage, V_{UVLO} , all circuitry in the device is disabled, the output FETs are disabled, and all internal logic is reset. Normal operation resumes when the V_{VM} voltage rises above the UVLO rising threshold as shown in Figure 8-8. The nFAULT pin is driven low during an undervoltage condition and is released after operation starts again.

When V_{VM} is close to 0 V, the internal circuitry may not bias properly, and the open-drain pull-down on the nFAULT pin may release.

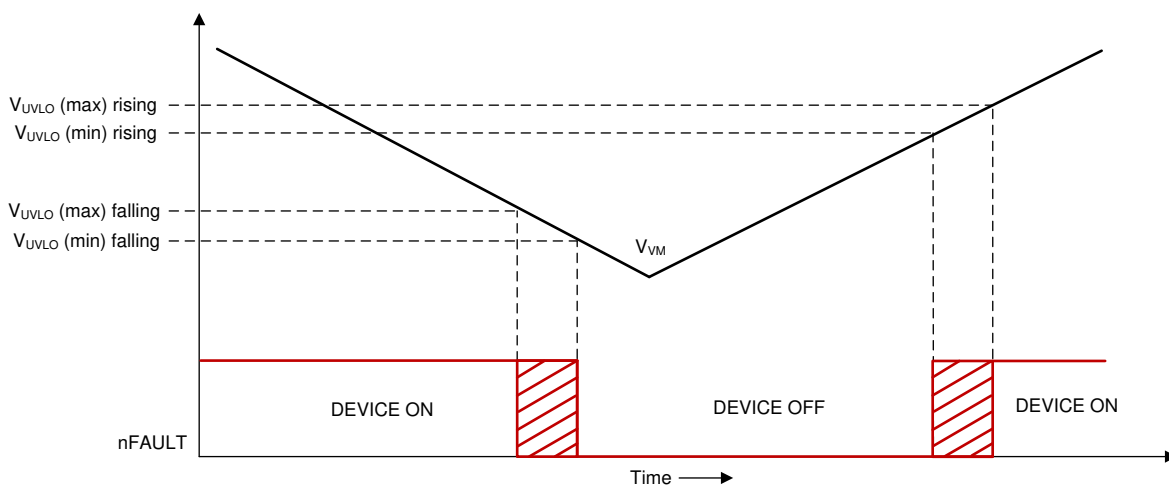


Figure 8-8. VM UVLO Operation

8.5 Device Functional Modes

Table 8-5 summarizes the DRV8411A functional modes described in this section.

Table 8-5. Modes of Operation

MODE	CONDITION	H-BRIDGE	INTERNAL CIRCUITS
Active Mode	AIN1 or AIN2 or BIN1 or BIN2 = logic high	Operating	Operating
Low-Power Sleep Mode	AIN1 = AIN2 = BIN1 = BIN2 = logic low	Disabled	Disabled
Fault Mode	Any fault condition met	Disabled	See Table 8-6

8.5.1 Active Mode

After the supply voltage on the VM pin has crossed the undervoltage threshold V_{UVLO} , any of the the xINx pins are in a state other than AIN1 = AIN2 = BIN1 = BIN2 = 0, and t_{WAKE} has elapsed, the device enters active mode. In this mode, the H-bridge, charge pump, and internal logic are active and the device is ready to receive inputs.

8.5.2 Low-Power Sleep Mode

The DRV8411A device supports a low power mode to reduce current consumption from the VM pin when the driver is not active. When the AIN1, AIN2, BIN1, and BIN2 pins are all low for time t_{SLEEP} , the DRV8411A device enters a low-power sleep mode.

In sleep mode, the H-bridge, charge pump, internal regulator, and internal logic are disabled and the device draws minimal current from the supply pin (I_{VMQ}). The device relies on a weak pulldown to ensure all of the internal MOSFETs remain disabled. If the device is powered up while all inputs are low, it immediately enters sleep mode. After any of the input pins are high for longer than the duration of t_{WAKE} , the device becomes fully operational.

The following timing diagram shows an example of entering and leaving sleep mode.

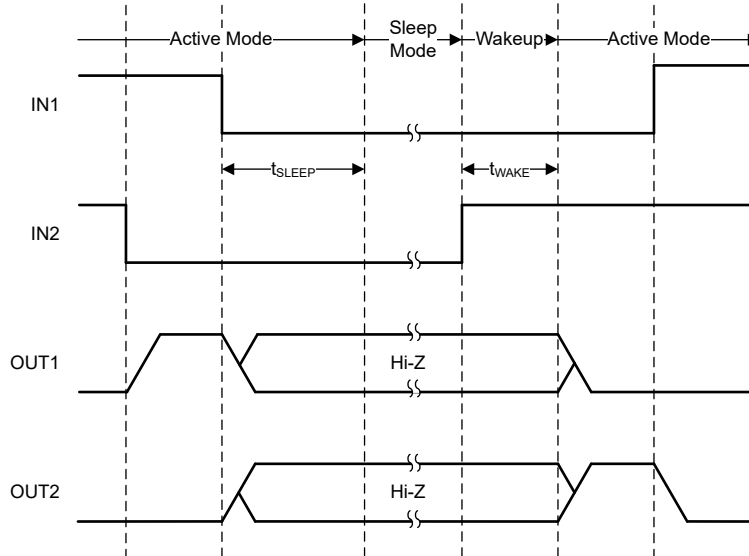


Figure 8-9. Sleep Mode Entry and Wakeup Timing Diagram

8.5.3 Fault Mode

The DRV8411A device enters a fault mode when a fault is encountered. This protects the device and the load on the outputs. The device behavior in the fault mode is described in Table 8-6 and depends on the fault condition. The device will leave the fault mode and re-enter the active mode when the recovery condition is met.

Table 8-6. Fault Conditions Summary

FAULT	CONDITION	ERROR REPORT	H-BRIDGE	INTERNAL CIRCUITS	RECOVERY
VM undervoltage (UVLO)	$V_M < V_{UVLO,falling}$	nFAULT	Disabled	Disabled	$V_M > V_{UVLO,rising}$
Overcurrent (OCP)	$I_{OUT} > I_{OCP}$	nFAULT	Disabled	Operating	Automatic retry: t_{RETRY}
Thermal Shutdown (TSD)	$T_J > T_{TSD}$	nFAULT	Disabled	Operating	Automatic: $T_J < T_{TSD} - T_{HYS}$

8.6 Pin Diagrams

8.6.1 Logic-Level Inputs

Figure 8-10 shows the input structure for the logic-level input pins AIN1, AIN2, BIN1, and BIN2.

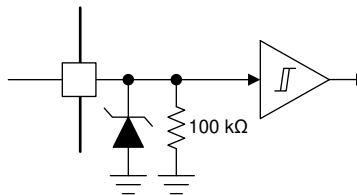


Figure 8-10. Logic-level input

9 Application and Implementation

Note

Information in the following applications sections is not part of the TI component specification, and TI does not warrant its accuracy or completeness. TI's customers are responsible for determining suitability of components for their purposes, as well as validating and testing their design implementation to confirm system functionality.

9.1 Application Information

The DRV8411A is used in brushed-DC or stepper motor control as shown in the following applications examples.

9.1.1 Typical Application

The user can configure the DRV8411A for stepper motor, dual BDC, or single BDC motor applications as described in this section.

9.1.1.1 Stepper Motor Application

Figure 9-1 shows the typical application of the DRV8411A device to drive a stepper motor.

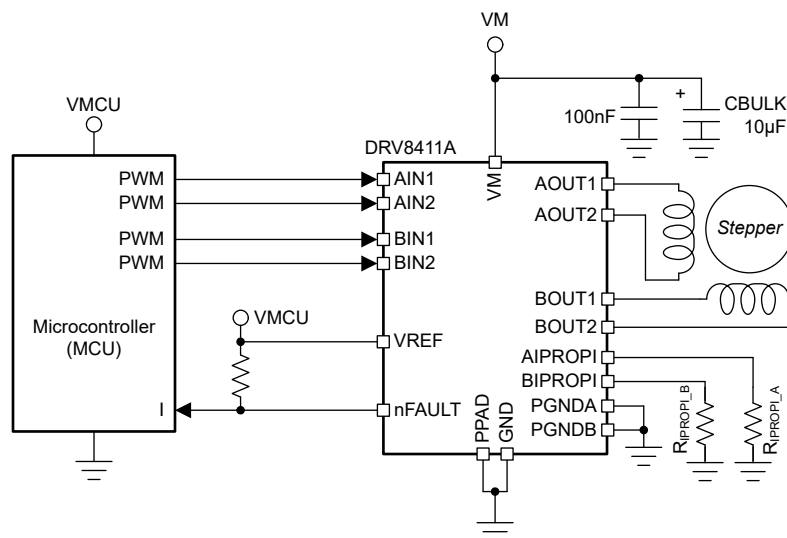


Figure 9-1. Typical Application Schematic of DRV8411A Driving Stepper Motor

9.1.1.1.1 Design Requirements

Table 9-1 lists design input parameters for system design.

Table 9-1. Design Parameters

DESIGN PARAMETER	REFERENCE	EXAMPLE VALUE
Motor supply voltage	V_M	11 V
Motor winding resistance	R_L	34 Ω /phase
Motor winding inductance	L_L	33 mH/phase
Target trip current	I_{TRIP}	500 mA

9.1.1.1.2 Detailed Design Procedure

9.1.1.1.2.1 Stepper Motor Speed

The first step in configuring the DRV8411A requires the desired motor speed and stepping level. The device can support full- and half-stepping modes using the PWM interface.

If the target motor speed is too high, the motor does not spin. Ensure that the motor can support the target speed.

For a desired motor speed (v), microstepping level (n_m), and motor full step angle (θ_{step}),

$$f_{\text{step}} (\text{steps / s}) = \frac{v(\text{rpm}) \times n_m (\text{steps}) \times 360^\circ / \text{rot}}{\theta_{\text{step}} (^\circ / \text{step}) \times 60 \text{ s / min}} \quad (4)$$

9.1.1.1.2.2 Current Regulation

The trip current (I_{TRIP}) is the maximum current driven through either winding. This setting determines the amount of torque the stepper motor will produce when operating in full stepping or half stepping control schemes. For an I_{TRIP} value of 500 mA, the value of the sense resistor (R_{XIPROPI}) is calculated as shown in [Equation 5](#).

$$R_{\text{AIPROPI}} = R_{\text{BIPROPI}} = V_{\text{VREF}} (\text{V}) / [I_{\text{TRIP}} (\text{A}) \times A_{\text{IPROPI}} (\mu\text{A/A})] = 3.3 / [0.5 \times 0.0002] = 33 \text{ k}\Omega \quad (5)$$

Select the closest available value of 33 k Ω for the sense resistors.

9.1.1.1.2.3 Stepping Modes

The DRV8411A is used to drive a stepper motor in full-stepping mode or non-circulating half-stepping mode using the following bridge configurations:

- Full-stepping mode
- Half-stepping mode with slow decay
- Half-stepping mode with fast decay

9.1.1.1.2.3.1 Full-Stepping Operation

In full-stepping mode, the full-bridge operates in either of two modes (forward or reverse mode) with a phase shift of 90° between the two windings. Full stepping is simplest stepper control mode to implement in firmware and offers the best performance at high speeds.

The controller applies the PWM input to the AIN1, AIN2, BIN1, and BIN2 pins as shown in Figure 9-2 and the driver operates only in forward (FRW) and reverse (REV) mode.

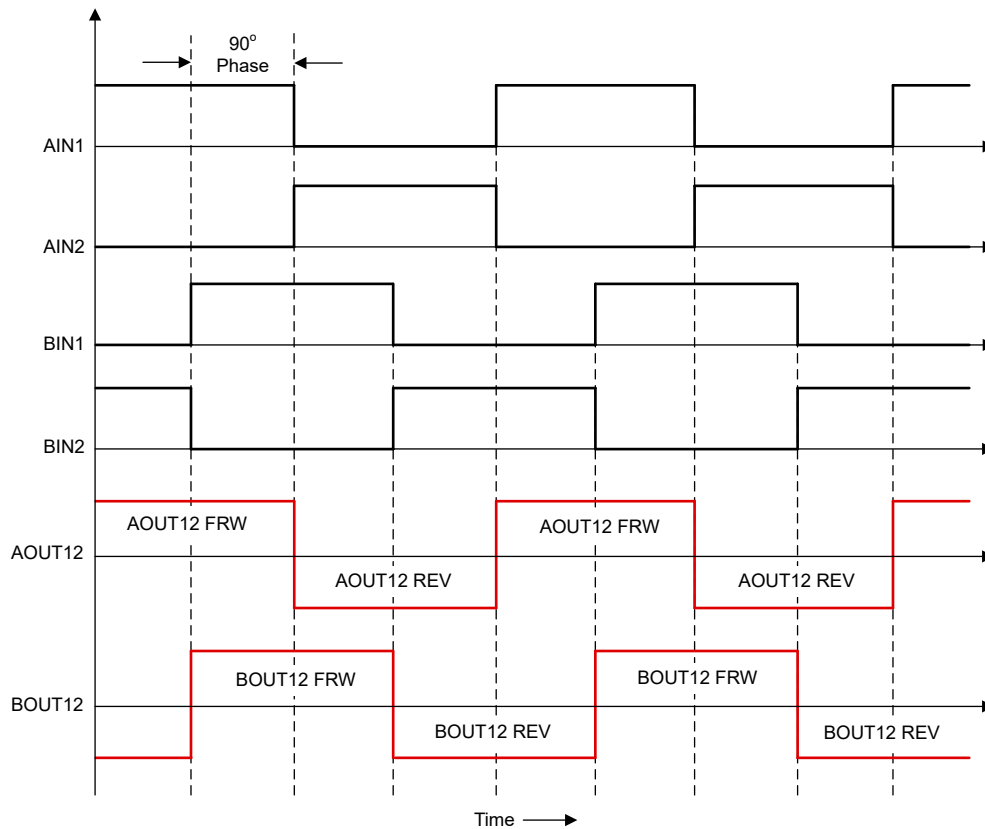


Figure 9-2. Timing Diagram for Full-Stepping

9.1.1.1.2.3.2 Half-Stepping Operation with Fast Decay

In half-stepping mode, the full-bridge operates in one of the three modes (forward, reverse, or coast mode) to position the rotor half-way between two full-step positions. The coast state allows the current in the motor winding to decay quickly to 0 A. This mode is best-used when half-stepping at high speeds.

The controller applies the PWM input to the AIN1, AIN2, BIN1, and BIN2 pins as shown in Figure 9-3, and the driver operates in forward, reverse, and coast mode.

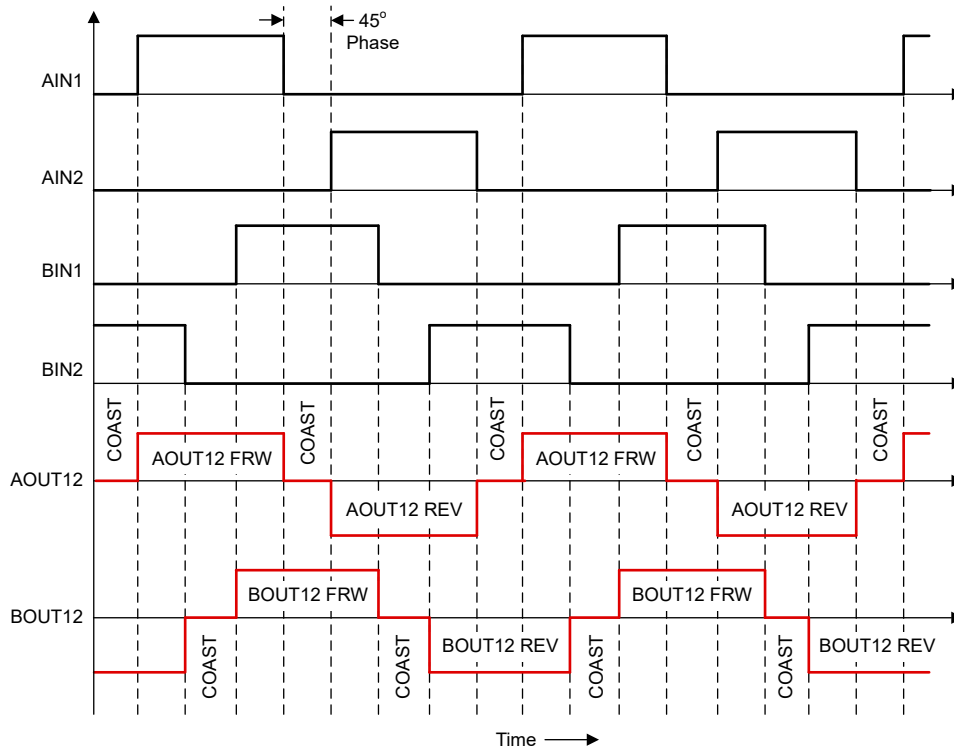


Figure 9-3. Timing Diagram for Half-Stepping with Fast Decay

9.1.1.1.2.3.3 Half-Stepping Operation with Slow Decay

In this half-stepping mode, the driver achieves the 0-A state using the slow decay control state (known as "brake mode" for BDC driving). Therefore, the full-bridge operates in one of the three modes (forward, reverse, or brake/slow-decay mode) to position the rotor half-way between two full-step positions. The slow decay state allows the current in the motor winding to decay slowly to 0 A. This mode is best-used when half-stepping at slow speeds and may help to reduce stepper noise and vibration.

The controller applies the PWM input to the AIN1, AIN2, BIN1, and BIN2 pins as shown in Figure 9-4, and the driver operates in forward, reverse, and brake mode.

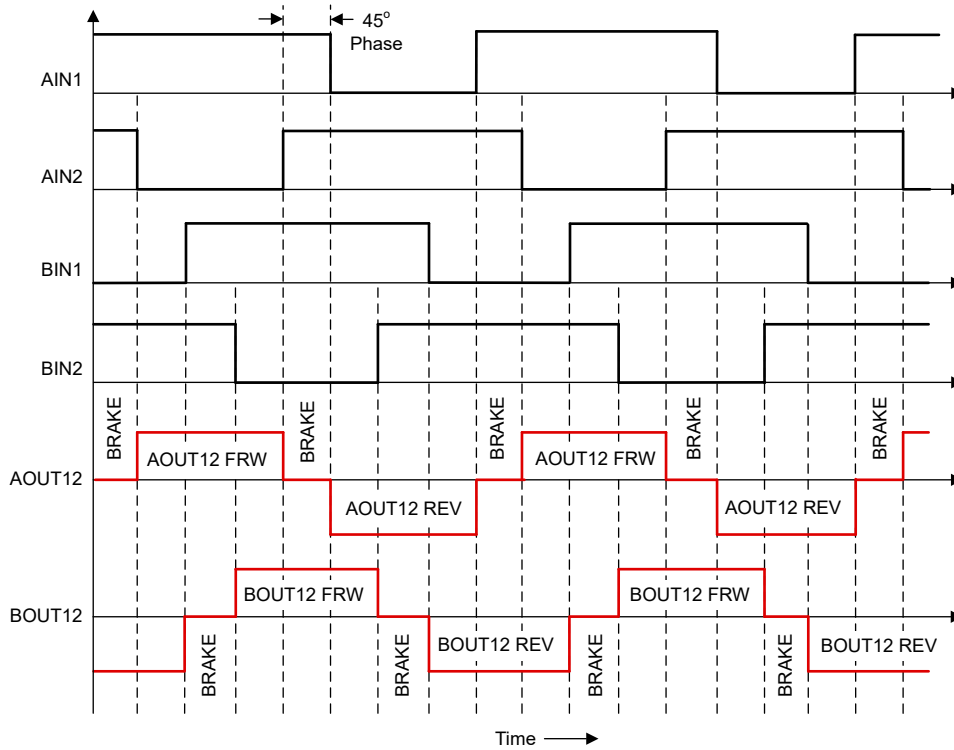


Figure 9-4. Timing Diagram for Half-Stepping with Slow Decay

9.1.1.1.3 Application Curves

Ch 1 = AIN1, Ch 2 = AIN2, Ch 3 = BIN1, Ch 4 = BIN2, Ch 5 = AOUT12, Ch 6 = BOUT12, Ch 7 = AOUT12 current, Ch 8 = BOUT12 current

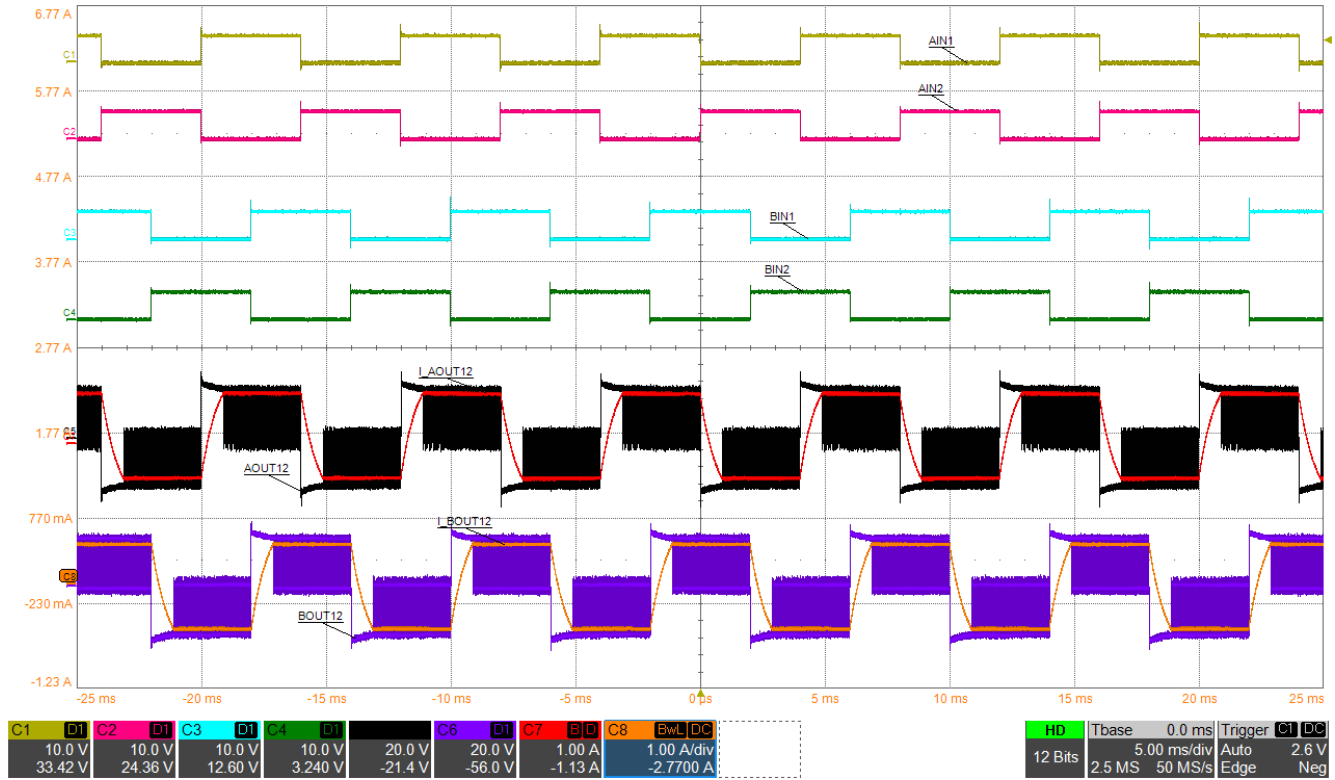


Figure 9-5. Stepper Motor Full-Step Operation

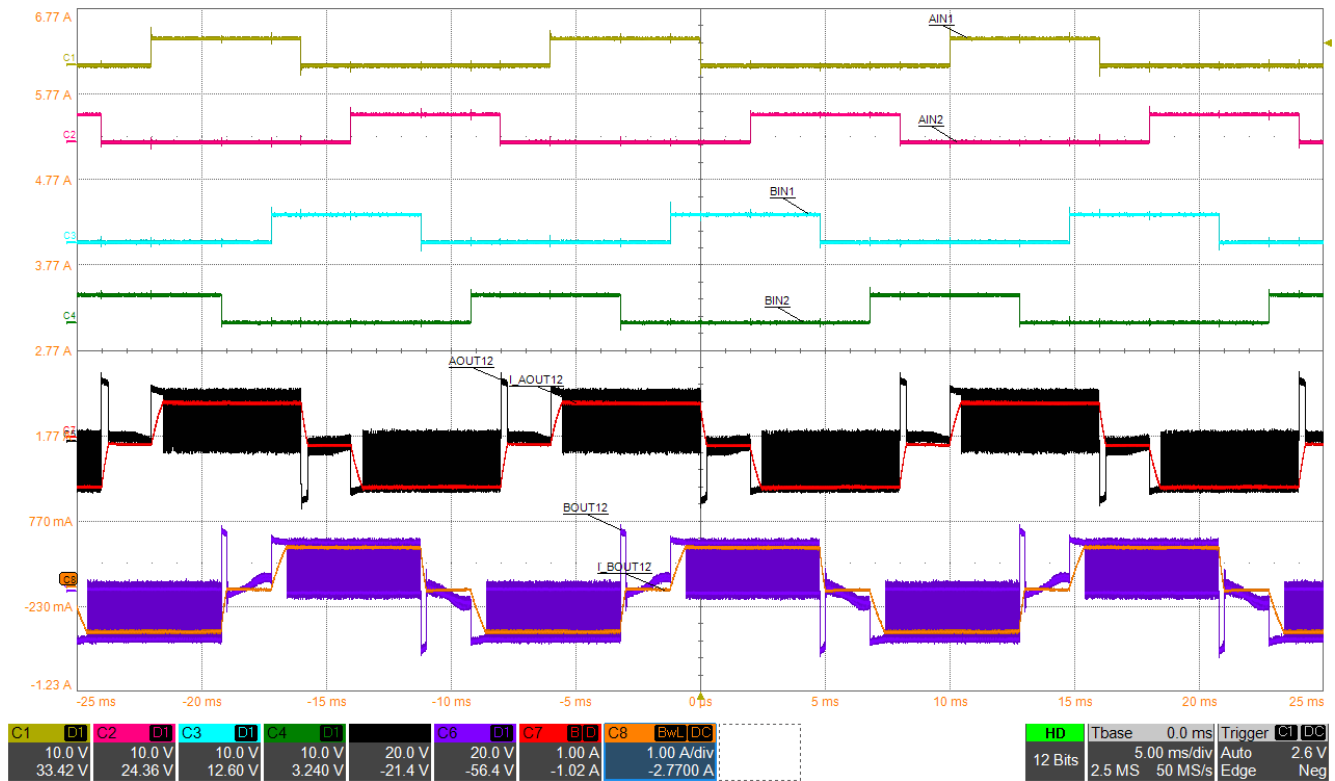


Figure 9-6. Stepper Motor Half-Step Operation With Fast Decay

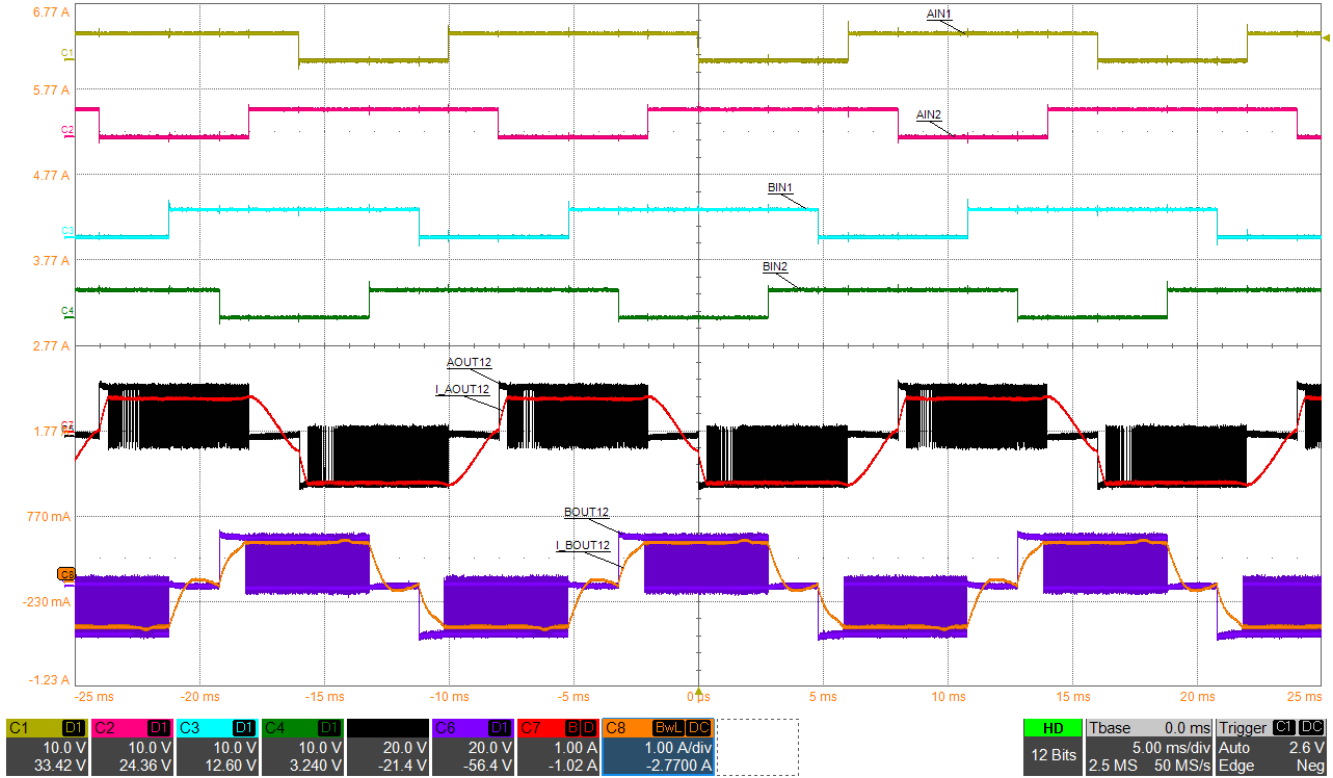


Figure 9-7. Stepper Motor Half-Step Operation With Slow Decay

9.1.1.2 Dual BDC Motor Application

Figure 9-8 shows the typical application of DRV8411A to drive two BDC motors.

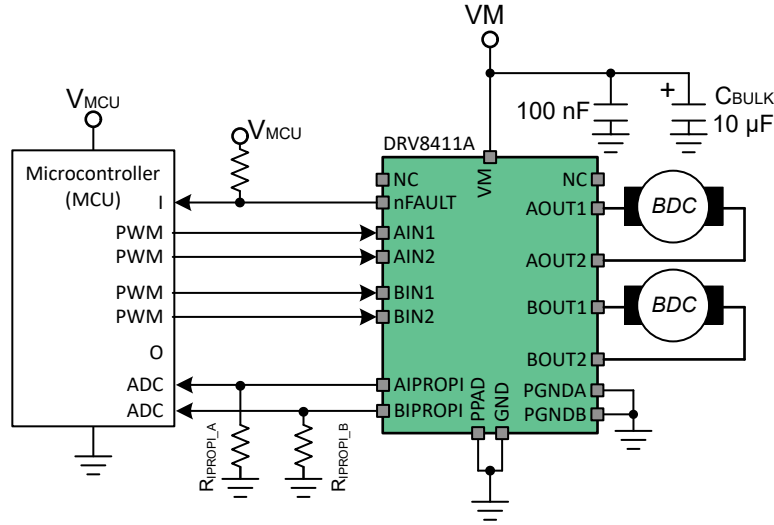


Figure 9-8. Typical Application Schematic of Device Driving Two BDC Motors

9.1.1.2.1 Design Requirements

Table 9-2 lists the design input parameters for system design.

Table 9-2. Design Parameters

DESIGN PARAMETER	REFERENCE	EXAMPLE VALUE
Motor supply voltage	V _M	7 V
Motor winding resistance	R _L	7.8 Ω
Motor winding inductance	L _L	500 µH
Motor RMS current	I _{RMS}	600 mA
Motor start-up current	I _{START}	900 mA
Target trip current	I _{TRIP}	1 A
Trip current reference voltage (internal voltage)	V _{TRIP}	200 mV

9.1.1.2.2 Detailed Design Procedure

9.1.1.2.2.1 Motor Voltage

The motor voltage used in an application depends on the rating of the selected motor and the desired revolutions per minute (RPM). A higher voltage spins a brushed DC motor faster with the same PWM duty cycle applied to the power FETs. A higher voltage also increases the rate of current change through the inductive motor windings.

9.1.1.2.2.2 Current Regulation

The trip current (I_{TRIP}) is the maximum current driven through either winding. Because the peak current (start current) of the motor is 900 mA, the I_{TRIP} current level is selected to be just greater than the peak current. The selected I_{TRIP} value for this example is 1 A. Therefore, use Equation 6 to select the value of the sense resistors (R_{AIPROPI} and R_{BIPROPI}) connected to the AIPROPI and BIPROPI pins.

$$R_{AIPROPI} = R_{BIPROPI} = V_{VREF} (V) / [I_{TRIP} (A) \times A_{IPROPI} (\mu A/A)] = 3.3 / [1 \times 0.0002] = 16.5 \text{ k}\Omega \tag{6}$$

9.1.1.2.3 Application Curves

Ch 1 = AOOUT2, Ch 2 = BIN2, Ch 3 = AIN1, Ch 4 = BOOUT1, Ch 6 = AIN2, Ch 7 = AOOUT12 current, Ch M7 = BOOUT12 current



Figure 9-9. No Current Regulation



Figure 9-10. Current Regulation

9.1.1.3 Thermal Considerations

9.1.1.3.1 Maximum Output Current

In actual operation, the maximum output current achievable with a motor driver is a function of die temperature. This, in turn, is greatly affected by ambient temperature and PCB design. Basically, the maximum motor current will be the amount of current that results in a power dissipation level that, along with the thermal resistance of the package and PCB, keeps the die at a low enough temperature to stay out of thermal shutdown.

The dissipation ratings given in the data sheet can be used as a guide to calculate the approximate maximum power dissipation that can be expected to be possible without entering thermal shutdown for several different PCB constructions. However, for accurate data, the actual PCB design must be analyzed through measurement or thermal simulation.

9.1.1.3.2 Power Dissipation

Power dissipation in the device is dominated by the DC power dissipated in the output FET resistance, or $R_{DS(ON)}$. There is additional power dissipated due to PWM switching losses, which are dependent on PWM frequency, rise and fall times, and VM supply voltages.

The DC power dissipation of one H-bridge can be roughly estimated by [Equation 7](#).

$$P_{TOT} = (HS - R_{DS(ON)} \times I_{OUT(RMS)}^2) + (LS - R_{DS(ON)} \times I_{OUT(RMS)}^2) \quad (7)$$

where

- P_{TOT} is the total power dissipation
- $HS - R_{DS(ON)}$ is the resistance of the high-side FET
- $LS - R_{DS(ON)}$ is the resistance of the low-side FET
- $I_{OUT(RMS)}$ is the RMS output current being applied to the motor

$R_{DS(ON)}$ increases with temperature, so as the device heats, the power dissipation increases. This must be taken into consideration when estimating the maximum output current.

9.1.1.3.3 Thermal Performance

The datasheet-specified junction-to-ambient thermal resistance, $R_{\theta JA}$, is primarily useful for comparing various drivers or approximating thermal performance. However, the actual system performance may be better or worse than this value depending on PCB stackup, routing, number of vias, and copper area around the thermal pad. The length of time the driver drives a particular current will also impact power dissipation and thermal performance. This section considers how to design for steady-state and transient thermal conditions.

The data in this section was simulated using the following criteria:

HTSSOP (PWP package)

- 2-layer PCB (size 114.3 x 76.2 x 1.6 mm), standard FR4, 1-oz (35 mm copper thickness) or 2-oz copper thickness. Thermal vias are only present under the thermal pad (12 vias in 4 x 3 array, 1 mm pitch, 0.2 mm diameter, 0.025 mm Cu plating).
 - Top layer: HTSSOP package footprint and copper plane heatsink. Top layer copper area is varied in simulation.
 - Bottom layer: ground plane thermally connected through vias under the thermal pad for the driver. Bottom layer copper area varies with top copper area.
- 4-layer PCB (size 114.3 x 76.2 x 1.6 mm), standard FR4. Outer planes are 1-oz (35 mm copper thickness) or 2-oz copper thickness. Inner planes are kept at 1-oz. Thermal vias are only present under the thermal pad (12 vias in 4 x 3 array, 1 mm pitch, 0.2 mm diameter, 0.025 mm Cu plating).
 - Top layer: HTSSOP package footprint and copper plane heatsink. Top layer copper area is varied in simulation.
 - Mid layer 1: GND plane thermally connected to thermal pad through vias. The area of the ground plane is 74.2 mm x 74.2 mm.
 - Mid layer 2: power plane, no thermal connection. The area of the power plane is 74.2 mm x 74.2 mm.

- Bottom layer: signal layer with small copper pad underneath the driver and thermally connected through via stitching from the TOP and internal GND plane. Bottom layer thermal pad is the same size as the package (5 mm x 4.4 mm). Bottom pad size remains constant as top copper plane is varied.

Figure 9-11 shows an example of the simulated board for the HTSSOP package. Table 9-3 shows the dimensions of the board that were varied for each simulation.

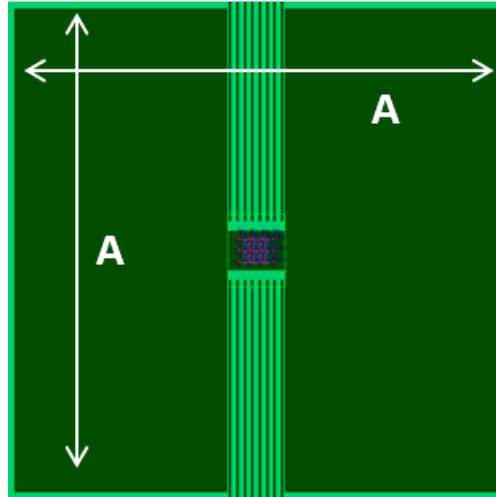


Figure 9-11. HTSSOP PCB model top layer

Table 9-3. Dimension A for 16-pin PWP package

Cu area (cm ²)	Dimension A (mm)
2	16.43
4	22.23
8	30.59
16	42.37

WQFN (RTE package)

- 2-layer PCB (size 114.3 x 76.2 x 1.6 mm), standard FR4, 1-oz (35 μm copper thickness) or 2-oz copper thickness. Thermal vias are only present under the package footprint (5 vias, 1 mm pitch, 0.2 mm diameter, 0.025 mm Cu plating).
 - Top layer: WQFN package footprint and traces.
 - Bottom layer: ground plane thermally connected through vias under the package footprint. Bottom layer copper area is varied in simulation.
- 4-layer PCB (size 114.3 x 76.2 x 1.6 mm), standard FR4. Outer planes are 1-oz (35 μm copper thickness) or 2-oz copper thickness. Inner planes are kept at 1-oz. Thermal vias are only present under the package footprint (5 vias, 1 mm pitch, 0.2 mm diameter, 0.025 mm Cu plating).
 - Top layer: WQFN package footprint and traces.
 - Mid layer 1: GND plane thermally connected under package footprint through vias. The area of the ground plane is 74.2 mm x 74.2 mm.
 - Mid layer 2: power plane, no thermal connection. The area of the power plane is 74.2 mm x 74.2 mm.
 - Bottom layer: signal layer with small copper pad underneath the driver and thermally connected through via stitching from the TOP and internal GND plane. Bottom layer thermal pad is 1.55 mm x 1.55 mm. Bottom layer thermal pad is the same size as the package (3 mm x 3 mm). Bottom pad size remains constant.

Figure 9-12 shows an example of the simulated board for the HTSSOP package. Table 9-4 shows the dimensions of the board that were varied for each simulation.

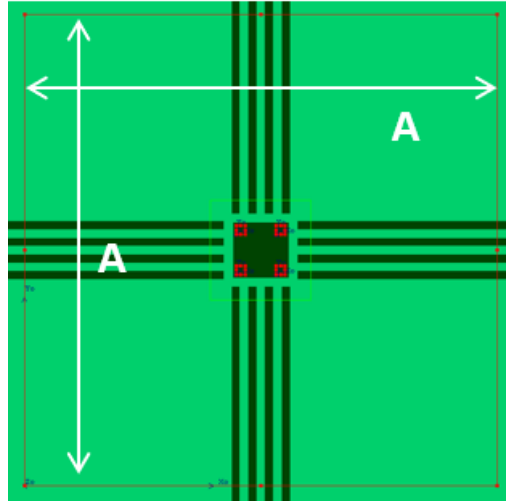


Figure 9-12. WQFN PCB model top layer

Table 9-4. Dimension A for 16-pin RTE package

Cu area (cm ²)	Dimension A (mm)
2	14.14
4	20.00
8	28.28
16	40.00

9.1.1.3.3.1 Steady-State Thermal Performance

"Steady-state" conditions assume that the motor driver operates with a constant RMS current over a long period of time. The figures in this section show how $R_{\theta JA}$ and Ψ_{JB} (junction-to-board characterization parameter) change depending on copper area, copper thickness, and number of layers of the PCB. More copper area, more layers, and thicker copper planes decrease $R_{\theta JA}$ and Ψ_{JB} , which indicate better thermal performance from the PCB layout.

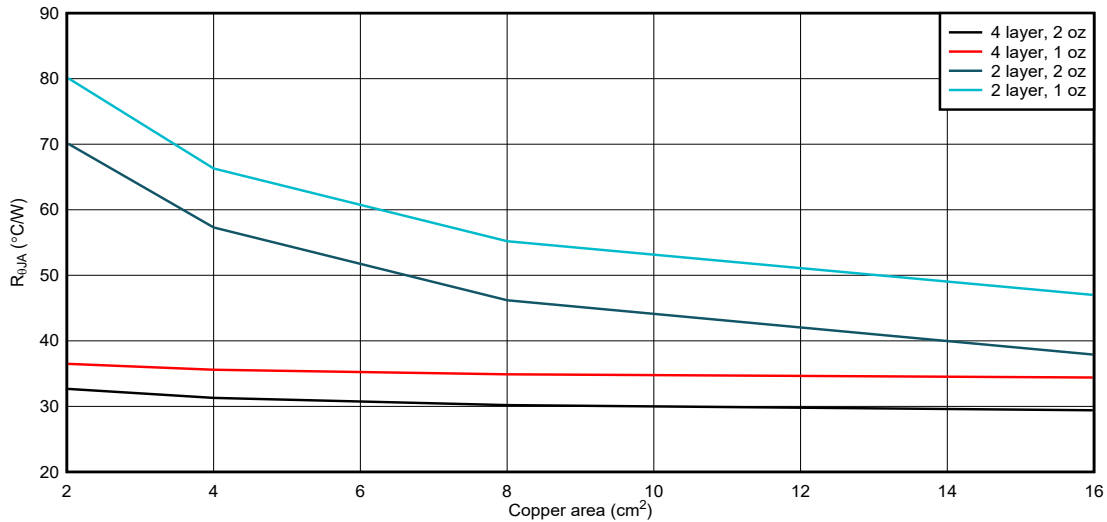


Figure 9-13. HTSSOP, PCB junction-to-ambient thermal resistance vs copper area

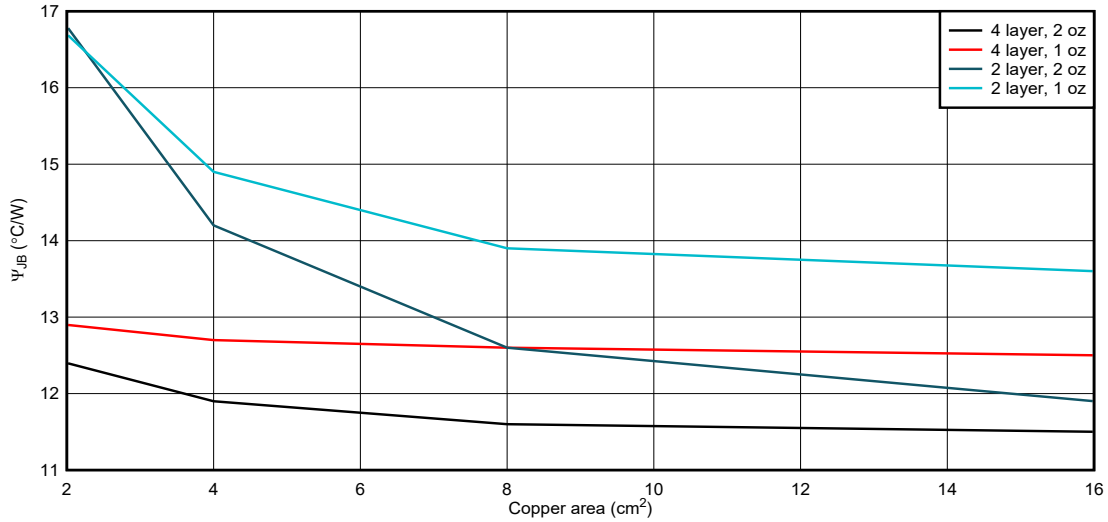


Figure 9-14. HTSSOP, junction-to-board characterization parameter vs copper area

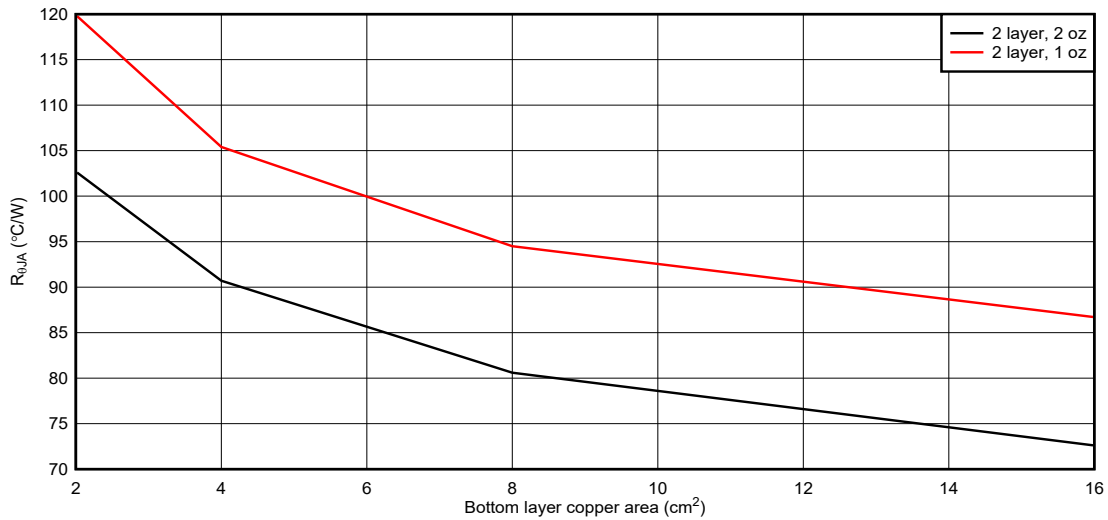


Figure 9-15. WQFN, PCB junction-to-ambient thermal resistance vs copper area

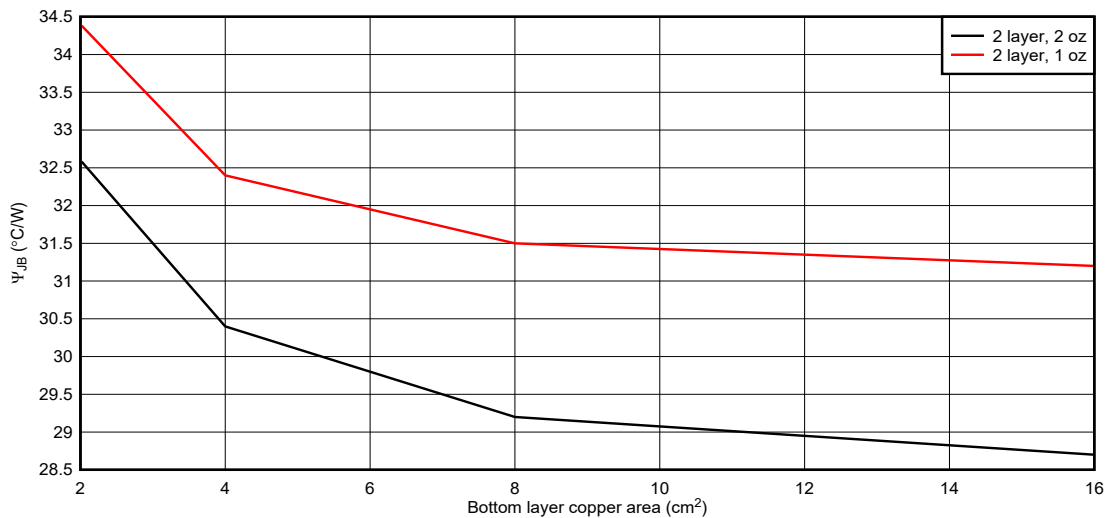


Figure 9-16. WQFN, junction-to-board characterization parameter vs copper area

9.1.1.3.3.2 Transient Thermal Performance

The motor driver may experience different transient driving conditions that cause large currents to flow for a short duration of time. These may include -

- Motor start-up when the rotor is initially stationary.
- Fault conditions when there is a supply or ground short to one of the motor outputs, and the overcurrent protection triggers.
- Briefly energizing a motor or solenoid for a limited time, then de-energizing.

For these transient cases, the duration of drive time is another factor that impacts thermal performance in addition to copper area and thickness. In transient cases, the thermal impedance parameter $Z_{\theta JA}$ denotes the junction-to-ambient thermal performance. The figures in this section show the simulated thermal impedances for 1-oz and 2-oz copper layouts for the HTSSOP and WQFN packages. These graphs indicate better thermal performance with short current pulses. For short periods of drive time, the device die size and package dominates the thermal performance. For longer drive pulses, board layout has a more significant impact on thermal performance. Both graphs show the curves for thermal impedance split due to number of layers and copper area as the duration of the drive pulse duration increases. Long pulses can be considered steady-state performance.

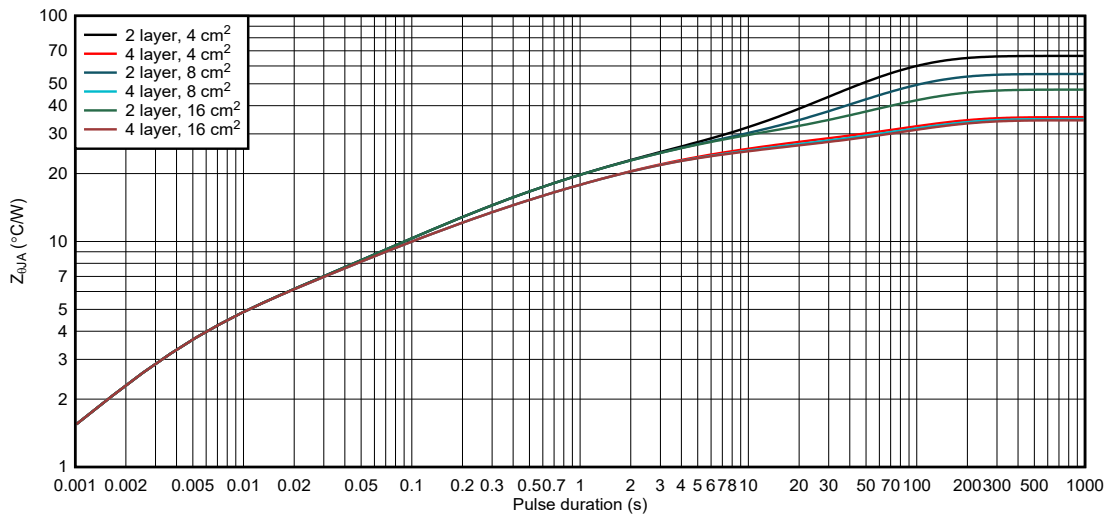


Figure 9-17. HTSSOP package junction-to-ambient thermal impedance for 1-oz copper layouts

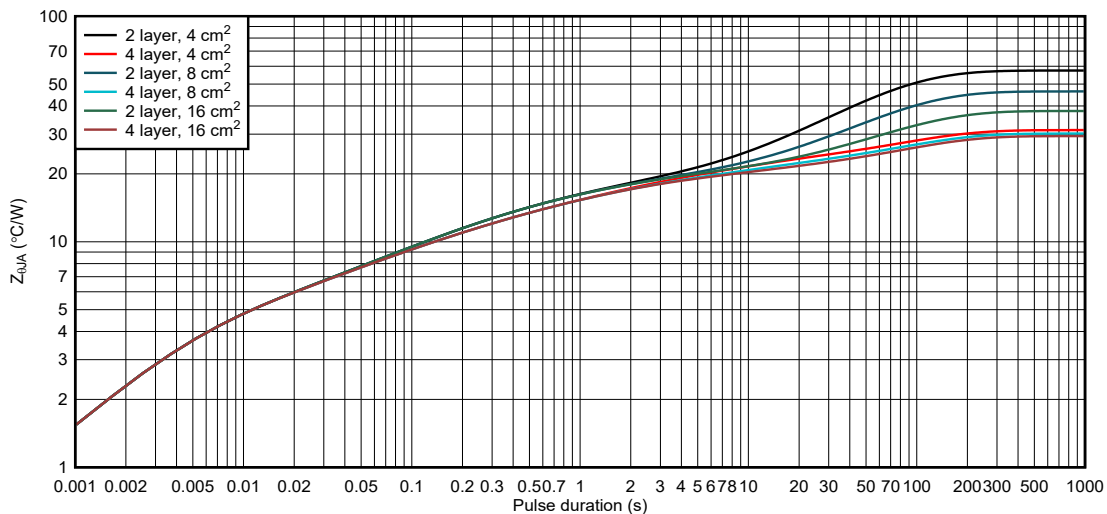


Figure 9-18. HTSSOP package junction-to-ambient thermal impedance for 2-oz copper layouts

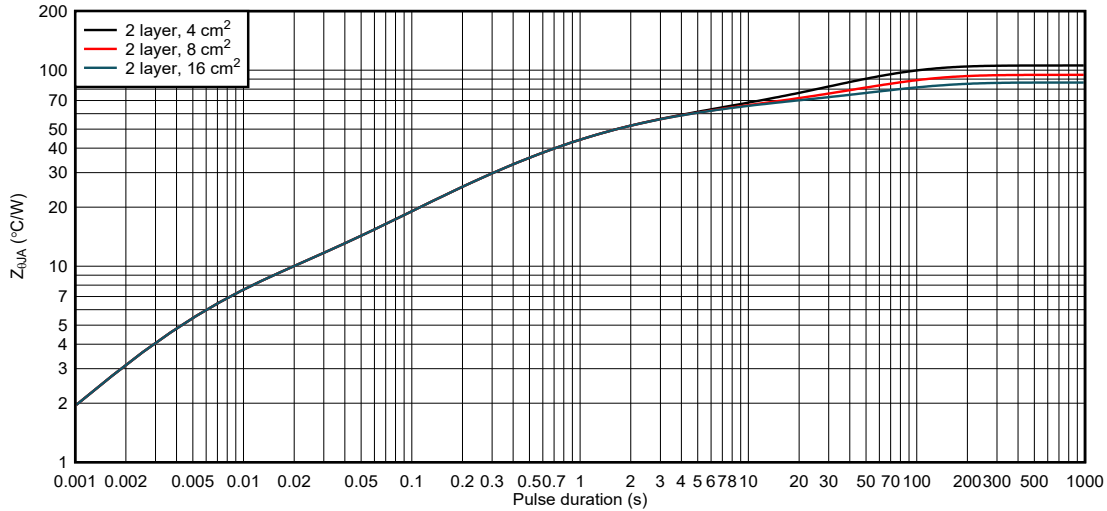


Figure 9-19. WQFN package junction-to-ambient thermal impedance for 1-oz copper layouts

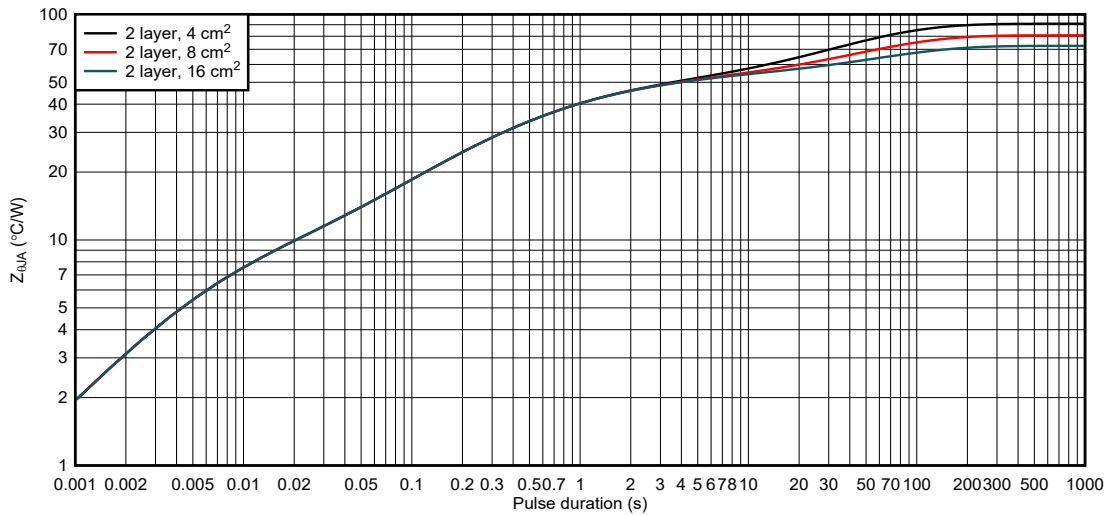


Figure 9-20. WQFN package junction-to-ambient thermal impedance for 2-oz copper layouts

9.2 Power Supply Recommendations

9.2.1 Bulk Capacitance

Having an appropriate local bulk capacitance is an important factor in motor drive system design. It is generally beneficial to have more bulk capacitance, while the disadvantages are increased cost and physical size.

The amount of local capacitance needed depends on a variety of factors, including:

- The highest current required by the motor system
- The capacitance and ability to source current
- The amount of parasitic inductance between the power supply and motor system
- The acceptable voltage ripple
- The type of motor used (brushed DC, brushless DC, stepper)
- The motor braking method

The inductance between the power supply and the motor drive system limits the rate current can change from the power supply. If the local bulk capacitance is too small, the system responds to excessive current demands or dumps from the motor with a change in voltage. When adequate bulk capacitance is used, the motor voltage remains stable and high current can be quickly supplied.

The data sheet generally provides a recommended value, but system-level testing is required to determine the appropriate sized bulk capacitor.

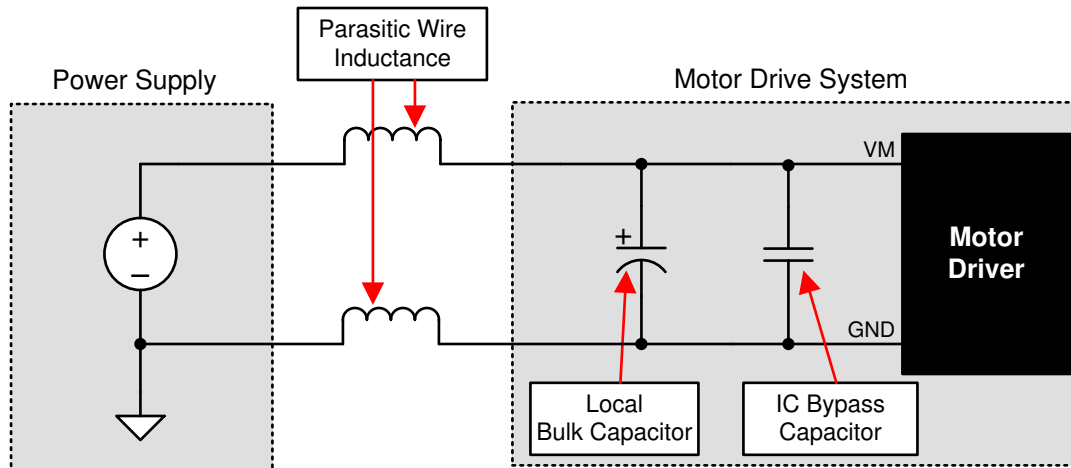


Figure 9-21. Example Setup of Motor Drive System With External Power Supply

The voltage rating for bulk capacitors should be higher than the operating voltage, to provide margin for cases when the motor transfers energy to the supply.

9.2.2 Power Supply and Logic Sequencing

There is no specific sequence for powering up the DRV8411A. The presence of digital input signals is acceptable before VM is applied. After VM is applied to the DRV8411A, the device begins operation based on the status of the control pins.

9.3 Layout

9.3.1 Layout Guidelines

Since the DRV8411A device has integrated power MOSFETs capable of driving high current, careful attention should be paid to the layout design and external component placement. Some design and layout guidelines are provided below. For more information on layout recommendations, please see the application note [Best Practices for Board Layout of Motor Drivers](#).

- Low ESR ceramic capacitors should be utilized for the VM-to-GND. X5R and X7R types are recommended.
- The VM power supply capacitor should be placed as close to the device as possible to minimize the loop inductance.
- The VM power supply bulk capacitor can be of ceramic or electrolytic type, but should also be placed as close as possible to the device to minimize the loop inductance.
- VM, xOUTx, and GND pins carry the high current from the power supply to the outputs and back to ground. Thick metal routing should be utilized for these traces as is feasible.
- GND should connect directly on the PCB ground plane.
- The device thermal pad should be attached to the PCB top layer ground plane and internal ground plane (when available) through thermal vias to maximize the PCB heat sinking.
- The copper plane area attached to the thermal pad should be maximized to ensure optimal heat sinking.

9.3.2 Layout Example

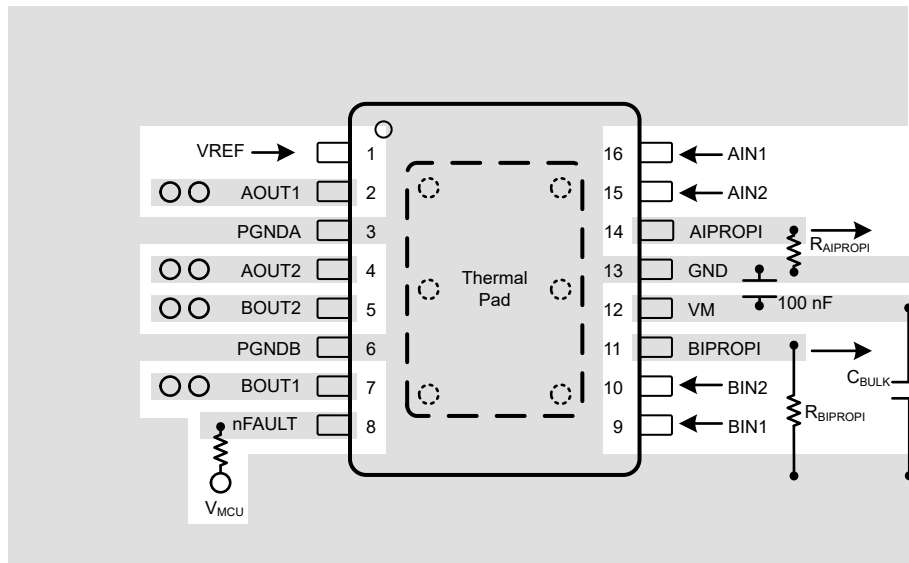


Figure 9-22. Recommended Layout Example for PWP (HTSSOP) Package

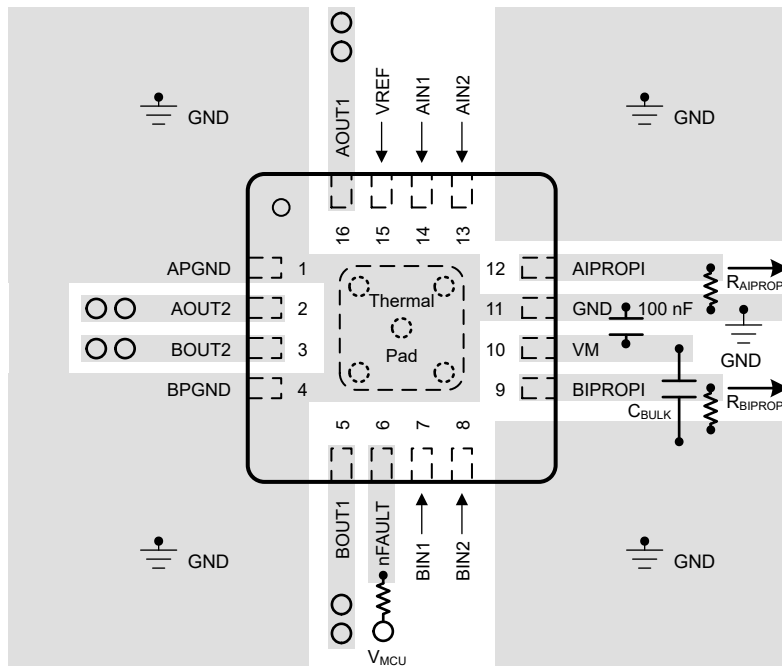


Figure 9-23. Recommended Layout Example for RTE (WQFN) Package

10 Device and Documentation Support

10.1 Documentation Support

10.1.1 Related Documentation

For related documentation see the following:

- Texas Instruments, [Calculating Motor Driver Power Dissipation application report](#)
- Texas Instruments, [PowerPAD™ Made Easy application report application report](#)
- Texas Instruments, [PowerPAD™ Thermally Enhanced Package application report](#)
- Texas Instruments, [Understanding Motor Driver Current Ratings application report](#)
- Texas Instruments, [Best Practices for Board Layout of Motor Drivers application report](#)

10.2 Receiving Notification of Documentation Updates

To receive notification of documentation updates, navigate to the device product folder on ti.com. In the upper right corner, click on *Subscribe to updates* to register and receive a weekly digest of any product information that has changed. For change details, review the revision history included in any revised document.

10.3 Community Resources

TI E2E™ [support forums](#) are an engineer's go-to source for fast, verified answers and design help — straight from the experts. Search existing answers or ask your own question to get the quick design help you need. Linked content is provided "AS IS" by the respective contributors. They do not constitute TI specifications and do not necessarily reflect TI's views; see TI's [Terms of Use](#).

10.4 Trademarks

All trademarks are the property of their respective owners.

11 Revision History

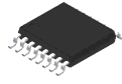
NOTE: Page numbers for previous revisions may differ from page numbers in the current version.

Changes from Revision A (October 2022) to Revision B (July 2023)	Page
• Removed the referenced to Thin-SOT (16) Package throughout the data sheet.	1
• Added current regulation note.....	14

Changes from Revision * (October 2022) to Revision A (July 2023)	Page
• Update BODY SIZE (NOM) in Device Information table.....	1

12 Mechanical, Packaging, and Orderable Information

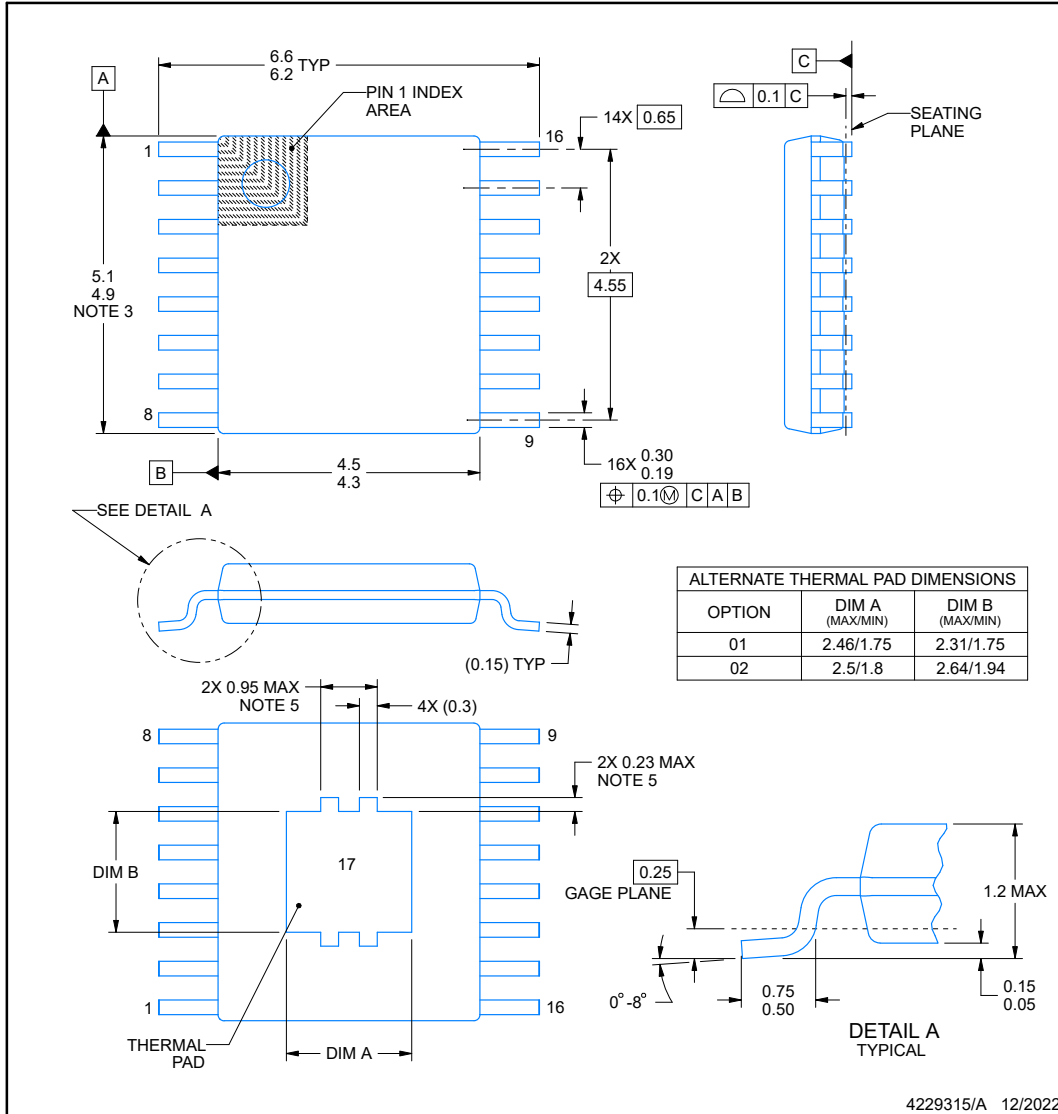
The following pages include mechanical, packaging, and orderable information. This information is the most current data available for the designated devices. This data is subject to change without notice and revision of this document. For browser-based versions of this data sheet, refer to the left-hand navigation.



PWP0016-C01

PACKAGE OUTLINE
PowerPAD™ TSSOP - 1.2 mm max height

SMALL OUTLINE PACKAGE



NOTES:

PowerPAD is a trademark of Texas Instruments.

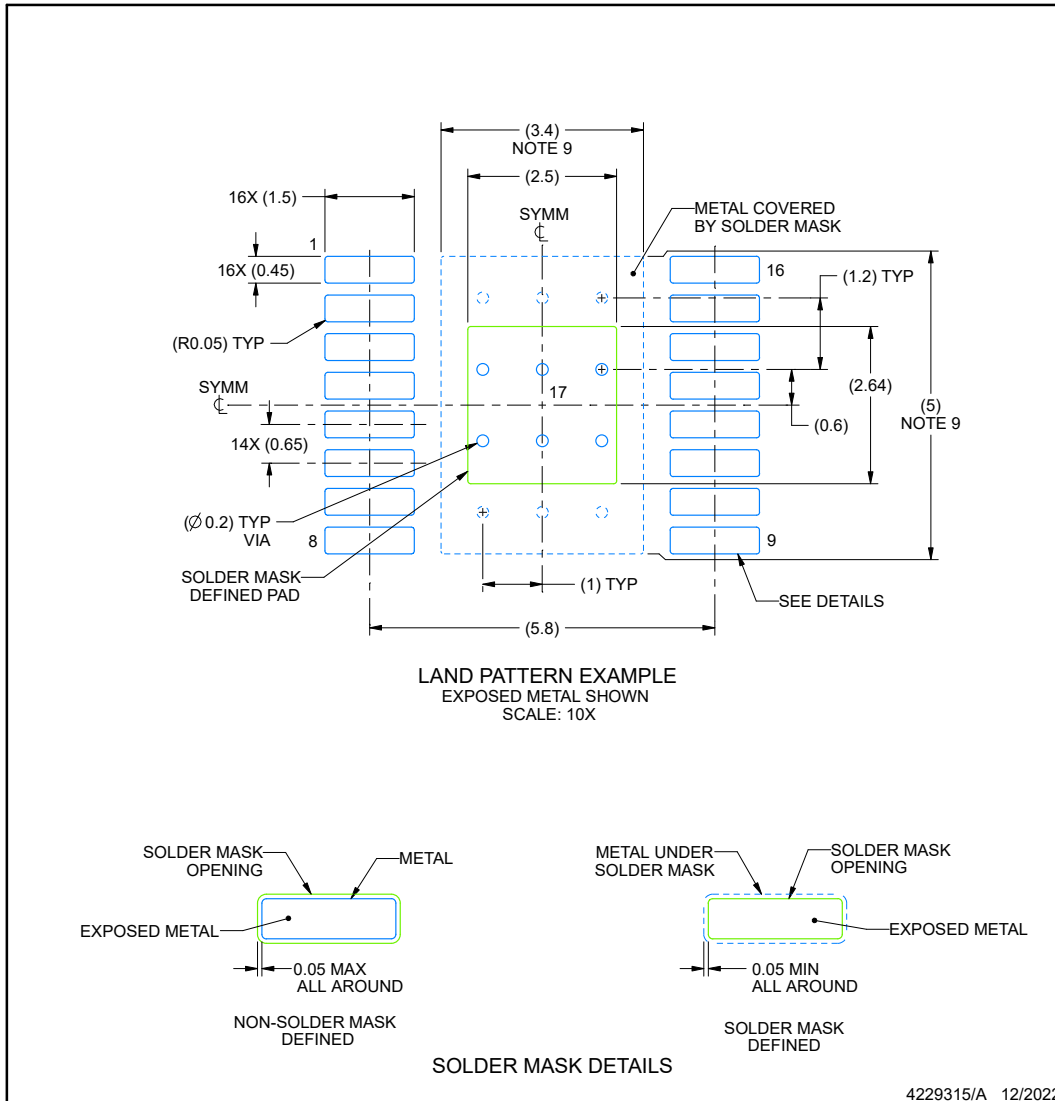
1. All linear dimensions are in millimeters. Any dimensions in parenthesis are for reference only. Dimensioning and tolerancing per ASME Y14.5M.
2. This drawing is subject to change without notice.
3. This dimension does not include mold flash, protrusions, or gate burrs. Mold flash, protrusions, or gate burrs shall not exceed 0.15 mm per side.
4. Reference JEDEC registration MO-153.
5. Features may differ or may not be present.

EXAMPLE BOARD LAYOUT

PWP0016-C01

PowerPAD™ TSSOP - 1.2 mm max height

SMALL OUTLINE PACKAGE



NOTES: (continued)

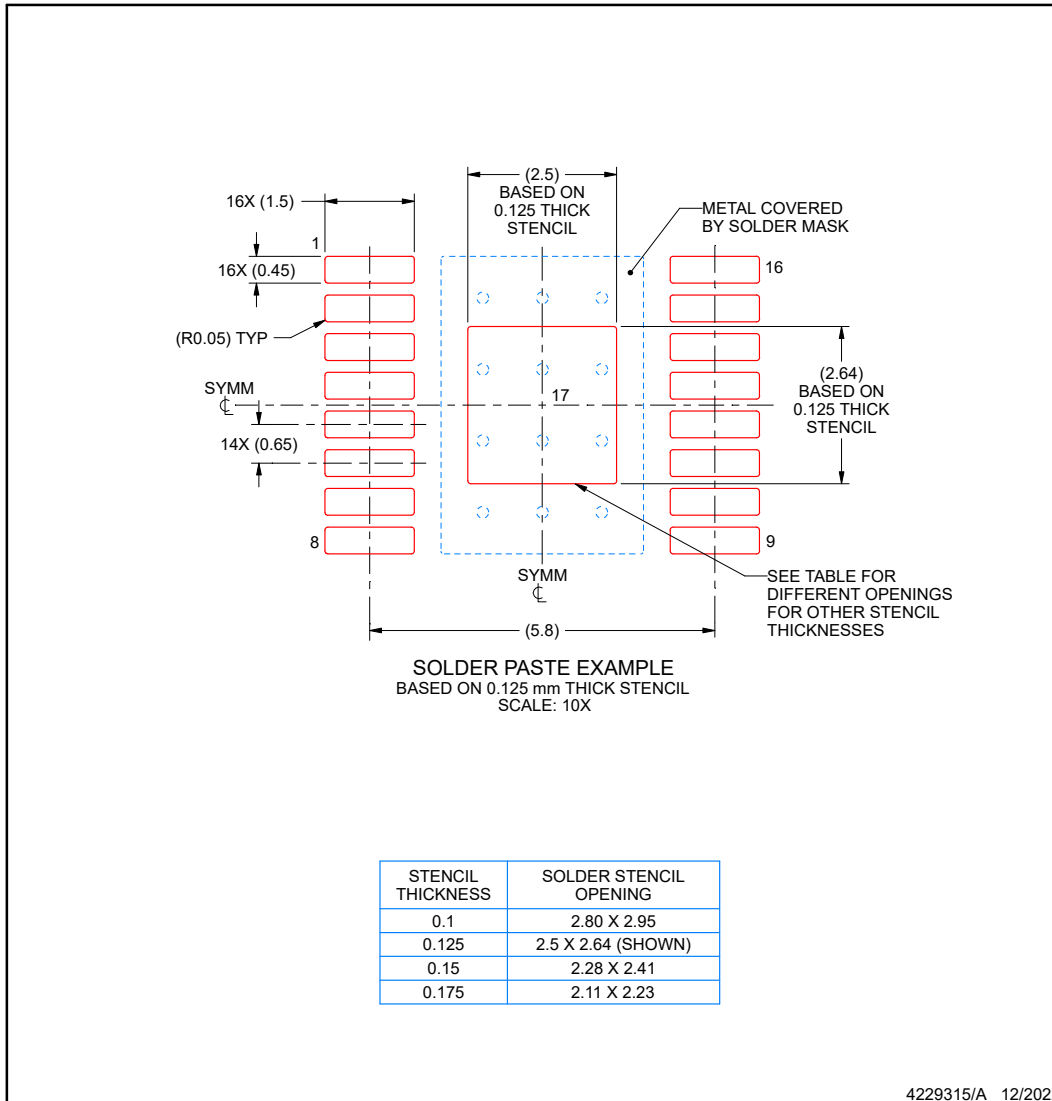
6. Publication IPC-7351 may have alternate designs.
7. Solder mask tolerances between and around signal pads can vary based on board fabrication site.
8. This package is designed to be soldered to a thermal pad on the board. For more information, see Texas Instruments literature numbers SLMA002 (www.ti.com/lit/slma002) and SLMA004 (www.ti.com/lit/slma004).
9. Size of metal pad may vary due to creepage requirement.
10. Vias are optional depending on application, refer to device data sheet. It is recommended that vias under paste be filled, plugged or tented.

EXAMPLE STENCIL DESIGN

PWP0016-C01

PowerPAD™ TSSOP - 1.2 mm max height

SMALL OUTLINE PACKAGE



NOTES: (continued)

- 11. Laser cutting apertures with trapezoidal walls and rounded corners may offer better paste release. IPC-7525 may have alternate design recommendations.
- 12. Board assembly site may have different recommendations for stencil design.

PACKAGING INFORMATION

Orderable Device	Status (1)	Package Type	Package Drawing	Pins	Package Qty	Eco Plan (2)	Lead finish/ Ball material (6)	MSL Peak Temp (3)	Op Temp (°C)	Device Marking (4/5)	Samples
DRV8411APWPR	ACTIVE	HTSSOP	PWP	16	3000	RoHS & Green	NIPDAU	Level-3-260C-168 HR	-40 to 125	8411A	Samples
DRV8411ARTER	ACTIVE	WQFN	RTE	16	5000	RoHS & Green	NIPDAU	Level-1-260C-UNLIM	-40 to 125	8411A	Samples

(1) The marketing status values are defined as follows:

ACTIVE: Product device recommended for new designs.

LIFEBUY: TI has announced that the device will be discontinued, and a lifetime-buy period is in effect.

NRND: Not recommended for new designs. Device is in production to support existing customers, but TI does not recommend using this part in a new design.

PREVIEW: Device has been announced but is not in production. Samples may or may not be available.

OBSOLETE: TI has discontinued the production of the device.

(2) **RoHS:** TI defines "RoHS" to mean semiconductor products that are compliant with the current EU RoHS requirements for all 10 RoHS substances, including the requirement that RoHS substance do not exceed 0.1% by weight in homogeneous materials. Where designed to be soldered at high temperatures, "RoHS" products are suitable for use in specified lead-free processes. TI may reference these types of products as "Pb-Free".

RoHS Exempt: TI defines "RoHS Exempt" to mean products that contain lead but are compliant with EU RoHS pursuant to a specific EU RoHS exemption.

Green: TI defines "Green" to mean the content of Chlorine (Cl) and Bromine (Br) based flame retardants meet JS709B low halogen requirements of <=1000ppm threshold. Antimony trioxide based flame retardants must also meet the <=1000ppm threshold requirement.

(3) MSL, Peak Temp. - The Moisture Sensitivity Level rating according to the JEDEC industry standard classifications, and peak solder temperature.

(4) There may be additional marking, which relates to the logo, the lot trace code information, or the environmental category on the device.

(5) Multiple Device Markings will be inside parentheses. Only one Device Marking contained in parentheses and separated by a "~" will appear on a device. If a line is indented then it is a continuation of the previous line and the two combined represent the entire Device Marking for that device.

(6) Lead finish/Ball material - Orderable Devices may have multiple material finish options. Finish options are separated by a vertical ruled line. Lead finish/Ball material values may wrap to two lines if the finish value exceeds the maximum column width.

Important Information and Disclaimer:The information provided on this page represents TI's knowledge and belief as of the date that it is provided. TI bases its knowledge and belief on information provided by third parties, and makes no representation or warranty as to the accuracy of such information. Efforts are underway to better integrate information from third parties. TI has taken and continues to take reasonable steps to provide representative and accurate information but may not have conducted destructive testing or chemical analysis on incoming materials and chemicals. TI and TI suppliers consider certain information to be proprietary, and thus CAS numbers and other limited information may not be available for release.

In no event shall TI's liability arising out of such information exceed the total purchase price of the TI part(s) at issue in this document sold by TI to Customer on an annual basis.

TAPE AND REEL INFORMATION

QUADRANT ASSIGNMENTS FOR PIN 1 ORIENTATION IN TAPE


*All dimensions are nominal

Device	Package Type	Package Drawing	Pins	SPQ	Reel Diameter (mm)	Reel Width W1 (mm)	A0 (mm)	B0 (mm)	K0 (mm)	P1 (mm)	W (mm)	Pin1 Quadrant
DRV8411APWPR	HTSSOP	PWP	16	3000	330.0	12.4	6.9	5.6	1.6	8.0	12.0	Q1
DRV8411ARTER	WQFN	RTE	16	5000	330.0	12.4	3.3	3.3	1.1	8.0	12.0	Q2

TAPE AND REEL BOX DIMENSIONS


*All dimensions are nominal

Device	Package Type	Package Drawing	Pins	SPQ	Length (mm)	Width (mm)	Height (mm)
DRV8411APWPR	HTSSOP	PWP	16	3000	356.0	356.0	35.0
DRV8411ARTER	WQFN	RTE	16	5000	367.0	367.0	35.0

GENERIC PACKAGE VIEW

RTE 16

WQFN - 0.8 mm max height

3 x 3, 0.5 mm pitch

PLASTIC QUAD FLATPACK - NO LEAD

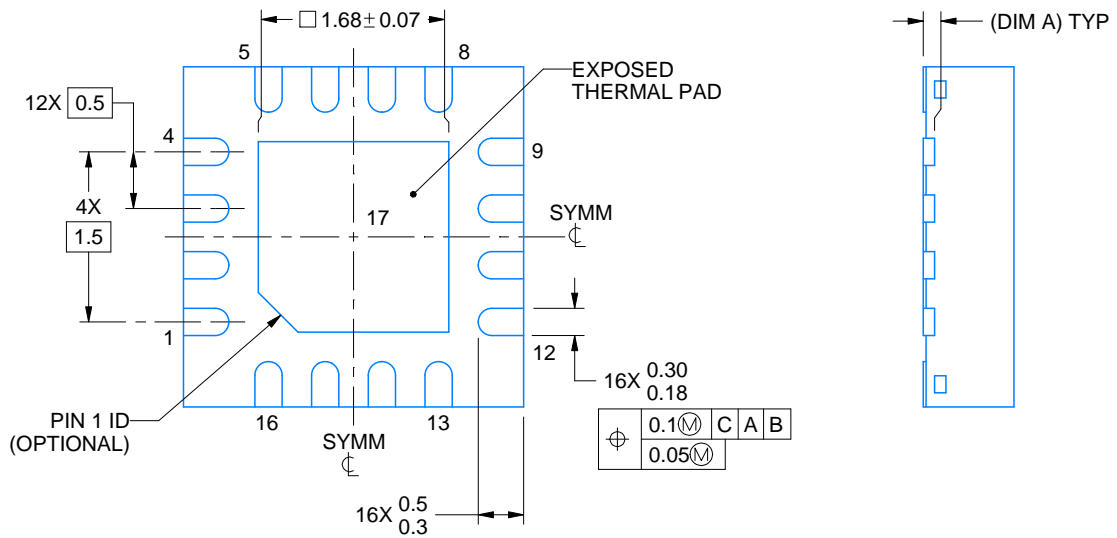
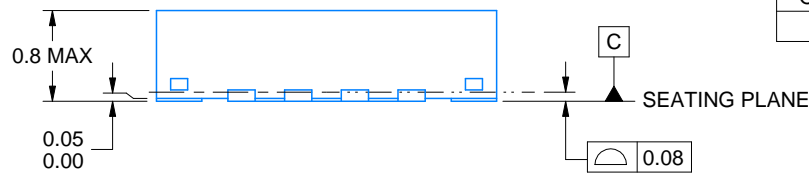
This image is a representation of the package family, actual package may vary.
Refer to the product data sheet for package details.



4225944/A



SIDE WALL METAL THICKNESS DIM A	
OPTION 1	OPTION 2
0.1	0.2



4219117/B 04/2022

NOTES:

1. All linear dimensions are in millimeters. Any dimensions in parenthesis are for reference only. Dimensioning and tolerancing per ASME Y14.5M.
2. This drawing is subject to change without notice.
3. The package thermal pad must be soldered to the printed circuit board for thermal and mechanical performance.

EXAMPLE BOARD LAYOUT

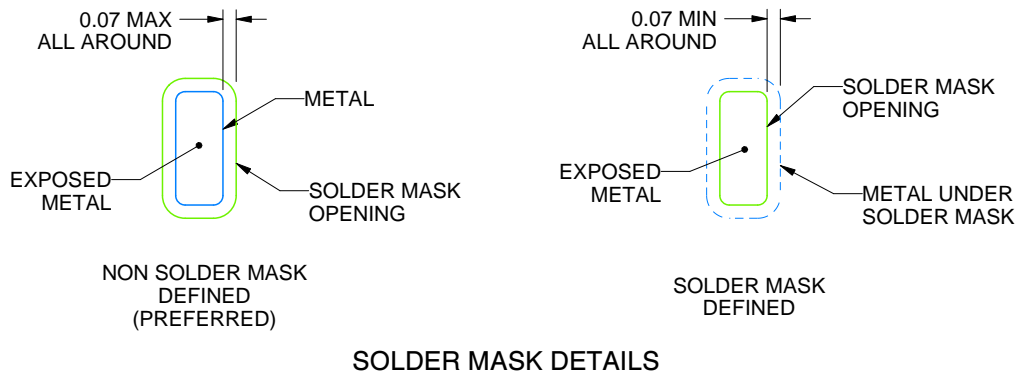
RTE0016C

WQFN - 0.8 mm max height

PLASTIC QUAD FLATPACK - NO LEAD



LAND PATTERN EXAMPLE
EXPOSED METAL SHOWN
SCALE:20X



4219117/B 04/2022

NOTES: (continued)

- This package is designed to be soldered to a thermal pad on the board. For more information, see Texas Instruments literature number SLUA271 (www.ti.com/lit/slua271).
- Vias are optional depending on application, refer to device data sheet. If any vias are implemented, refer to their locations shown on this view. It is recommended that vias under paste be filled, plugged or tented.

EXAMPLE STENCIL DESIGN

RTE0016C

WQFN - 0.8 mm max height

PLASTIC QUAD FLATPACK - NO LEAD



SOLDER PASTE EXAMPLE
BASED ON 0.125 mm THICK STENCIL

EXPOSED PAD 17:
85% PRINTED SOLDER COVERAGE BY AREA UNDER PACKAGE
SCALE:25X

4219117/B 04/2022

NOTES: (continued)

6. Laser cutting apertures with trapezoidal walls and rounded corners may offer better paste release. IPC-7525 may have alternate design recommendations.

IMPORTANT NOTICE AND DISCLAIMER

TI PROVIDES TECHNICAL AND RELIABILITY DATA (INCLUDING DATA SHEETS), DESIGN RESOURCES (INCLUDING REFERENCE DESIGNS), APPLICATION OR OTHER DESIGN ADVICE, WEB TOOLS, SAFETY INFORMATION, AND OTHER RESOURCES "AS IS" AND WITH ALL FAULTS, AND DISCLAIMS ALL WARRANTIES, EXPRESS AND IMPLIED, INCLUDING WITHOUT LIMITATION ANY IMPLIED WARRANTIES OF MERCHANTABILITY, FITNESS FOR A PARTICULAR PURPOSE OR NON-INFRINGEMENT OF THIRD PARTY INTELLECTUAL PROPERTY RIGHTS.

These resources are intended for skilled developers designing with TI products. You are solely responsible for (1) selecting the appropriate TI products for your application, (2) designing, validating and testing your application, and (3) ensuring your application meets applicable standards, and any other safety, security, regulatory or other requirements.

These resources are subject to change without notice. TI grants you permission to use these resources only for development of an application that uses the TI products described in the resource. Other reproduction and display of these resources is prohibited. No license is granted to any other TI intellectual property right or to any third party intellectual property right. TI disclaims responsibility for, and you will fully indemnify TI and its representatives against, any claims, damages, costs, losses, and liabilities arising out of your use of these resources.

TI's products are provided subject to [TI's Terms of Sale](#) or other applicable terms available either on [ti.com](https://www.ti.com) or provided in conjunction with such TI products. TI's provision of these resources does not expand or otherwise alter TI's applicable warranties or warranty disclaimers for TI products.

TI objects to and rejects any additional or different terms you may have proposed.

Mailing Address: Texas Instruments, Post Office Box 655303, Dallas, Texas 75265
Copyright © 2024, Texas Instruments Incorporated