

## SNx4LS24x, SNx4S24x Octal Buffers and Line Drivers With 3-State Outputs

### 1 Features

- Inputs Tolerant Down to 2 V, Compatible With 3.3-V or 2.5-V Logic Inputs
- Maximum  $t_{pd}$  of 15 ns at 5 V
- 3-State Outputs Drive Bus Lines or Buffer Memory Address Registers
- PNP Inputs Reduce DC Loading
- Hysteresis at Inputs Improves Noise Margins

### 2 Applications

- Servers
- LED Displays
- Network Switches
- Telecom Infrastructure
- Motor Drivers
- I/O Expanders

### 3 Description

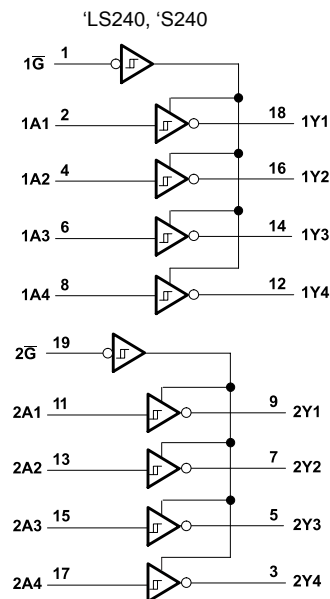
The SNx4LS24x, SNx4S24x octal buffers and line drivers are designed specifically to improve both the performance and density of three-state memory address drivers, clock drivers, and bus-oriented receivers and transmitters. The designer has a choice of selected combinations of inverting and non-inverting outputs, symmetrical, active-low output-control ( $\overline{G}$ ) inputs, and complementary output-control ( $G$  and  $\overline{G}$ ) inputs. These devices feature high fan-out, improved fan-in, and 400-mV noise margin. The SN74LS24x and SN74S24x devices can be used to drive terminated lines down to 133  $\Omega$ .

#### Device Information<sup>(1)</sup>

PART NUMBER	PACKAGE	BODY SIZE (NOM)
SN54LS24x, SN54S24x	CDIP (20) – J	24.20 mm × 6.92 mm
	CFP (20) – W	7.02 mm × 13.72 mm
	LCCC (20) – FK	8.89 mm × 8.89 mm
SN74LS240, SN74LS244	SSOP (20) – DB	7.20 mm × 5.30 mm
SN74LS24x, SN74S24x	SOIC (20) – DW	12.80 mm × 7.50 mm
	PDIP (20) – N	24.33 mm × 6.35 mm
SN74LS24x	SOP (20) – NS	7.80 mm × 12.60 mm

(1) For all available packages, see the orderable addendum at the end of the data sheet.

#### Logic Diagram (Positive Logic)



## Table of Contents

<b>1 Features</b> .....	<b>1</b>	8.2 Functional Block Diagrams .....	<b>11</b>
<b>2 Applications</b> .....	<b>1</b>	8.3 Feature Description .....	<b>12</b>
<b>3 Description</b> .....	<b>1</b>	8.4 Device Functional Modes .....	<b>12</b>
<b>4 Revision History</b> .....	<b>2</b>	<b>9 Application and Implementation</b> .....	<b>14</b>
<b>5 Pin Configuration and Functions</b> .....	<b>3</b>	9.1 Application Information .....	<b>14</b>
<b>6 Specifications</b> .....	<b>4</b>	9.2 Typical Application .....	<b>14</b>
6.1 Absolute Maximum Ratings .....	<b>4</b>	9.3 System Examples .....	<b>15</b>
6.2 ESD Ratings .....	<b>4</b>	<b>10 Power Supply Recommendations</b> .....	<b>17</b>
6.3 Recommended Operating Conditions .....	<b>4</b>	<b>11 Layout</b> .....	<b>17</b>
6.4 Thermal Information .....	<b>5</b>	11.1 Layout Guidelines .....	<b>17</b>
6.5 Electrical Characteristics – SNx4LS24x .....	<b>5</b>	11.2 Layout Example .....	<b>17</b>
6.6 Electrical Characteristics – SNx4S24x .....	<b>5</b>	<b>12 Device and Documentation Support</b> .....	<b>18</b>
6.7 Switching Characteristics – SNx4LS24x .....	<b>6</b>	12.1 Related Links .....	<b>18</b>
6.8 Switching Characteristics – SNx4S24x .....	<b>6</b>	12.2 Receiving Notification of Documentation Updates .....	<b>18</b>
6.9 Typical Characteristics .....	<b>7</b>	12.3 Community Resource .....	<b>18</b>
<b>7 Parameter Measurement Information</b> .....	<b>7</b>	12.4 Trademarks .....	<b>18</b>
7.1 SN54LS24x and SN74LS24x Devices .....	<b>7</b>	12.5 Electrostatic Discharge Caution .....	<b>18</b>
7.2 SN54S24x and SN74S24x Devices .....	<b>9</b>	12.6 Glossary .....	<b>18</b>
<b>8 Detailed Description</b> .....	<b>11</b>	<b>13 Mechanical, Packaging, and Orderable Information</b> .....	<b>19</b>
8.1 Overview .....	<b>11</b>		

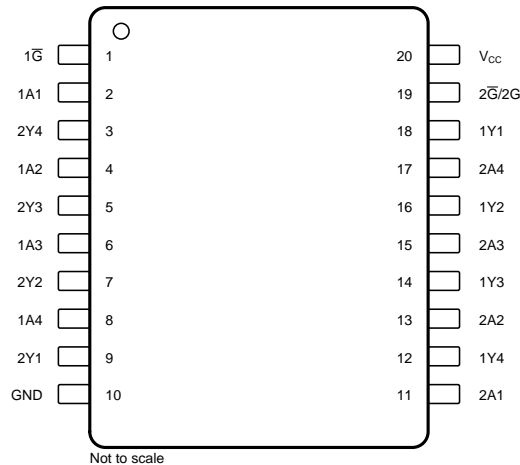
## 4 Revision History

NOTE: Page numbers for previous revisions may differ from page numbers in the current version.

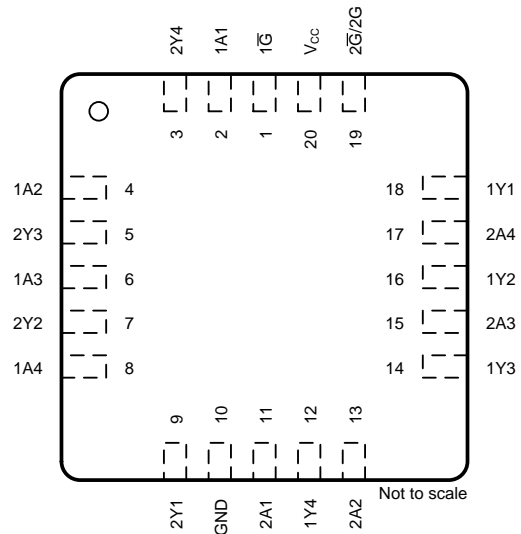
Changes from Revision C (May 2010) to Revision D	Page
• Added <i>Applications</i> section, <i>ESD Ratings</i> table, <i>Feature Description</i> section, <i>Device Functional Modes</i> , <i>Application and Implementation</i> section, <i>Power Supply Recommendations</i> section, <i>Layout</i> section, <i>Device and Documentation Support</i> section, and <i>Mechanical, Packaging, and Orderable Information</i> section .....	<b>1</b>
• Deleted Ordering Information table; see POA at the end of the data sheet .....	<b>1</b>
• Changed $R_{\theta JA}$ values in the <i>Thermal Information</i> table from 70 to 94.3 (DB), from 58 to 90.3 (DW), from 69 to 50.6 (N), and from 60 to 76.6 (NS) .....	<b>5</b>

## 5 Pin Configuration and Functions

DB, DW, J, N, NS, or W Package  
20-Pin SSOP, SOIC, CDIP, PDIP, SOP, or CFP  
Top View



FK Package  
20-Pin LCCC  
Top View



### Pin Functions

PIN		I/O	DESCRIPTION
NO.	NAME		
1	1 $\bar{G}$	I	Channel 1 output enable
2	1A1	I	Channel 1, A side 1
3	2Y4	O	Channel 2, Y side 4
4	1A2	I	Channel 1, A side 2
5	2Y3	O	Channel 2, Y side 3
6	1A3	I	Channel 1, A side 3
7	2Y2	O	Channel 2, Y side 2
8	1A4	I	Channel 1, A side 4
9	2Y1	O	Channel 2, Y side 1
10	GND	—	Ground
11	2A1	I	Channel 2, A side 1
12	1Y4	O	Channel 1, Y side 4
13	2A2	I	Channel 2, A side 2
14	1Y3	O	Channel 1, Y side 3
15	2A3	I	Channel 2, A side 3
16	1Y2	O	Channel 1, Y side 2
17	2A4	I	Channel 2, A side 4
18	1Y1	O	Channel 1, Y side 1
19	2 $\bar{G}$ /2G <sup>(1)</sup>	I	Channel 2 output enable
20	V <sub>CC</sub>	—	Power supply

(1) 2G for SNx4LS241 and SNx4S241 or 2 $\bar{G}$  for all other drivers.

## 6 Specifications

### 6.1 Absolute Maximum Ratings

over operating free-air temperature range (unless otherwise noted)<sup>(1)</sup>

		MIN	MAX	UNIT
Supply voltage, $V_{CC}$ <sup>(2)</sup>			7	V
Input voltage, $V_I$	SNx4LS24x		7	V
	SNx4S24x		5.5	
Off-state output voltage			5.5	V
Storage temperature, $T_{stg}$		-65	150	°C

- (1) Stresses beyond those listed under *Absolute Maximum Ratings* may cause permanent damage to the device. These are stress ratings only, which do not imply functional operation of the device at these or any other conditions beyond those indicated under *Recommended Operating Conditions*. Exposure to absolute-maximum-rated conditions for extended periods may affect device reliability.
- (2) Voltage values are with respect to network ground terminal.

### 6.2 ESD Ratings

			VALUE	UNIT
<b>ALL PACKAGES</b>				
$V_{(ESD)}$ Electrostatic discharge	Human-body model (HBM), per ANSI/ESDA/JEDEC JS-001 <sup>(1)</sup>		500	V
<b>N PACKAGE</b>				
$V_{(ESD)}$ Electrostatic discharge	Charged device model (CDM), per JEDEC specification JESD22-C101 <sup>(2)</sup>		500	V

- (1) JEDEC document JEP155 states that 500-V HBM allows safe manufacturing with a standard ESD control process.
- (2) JEDEC document JEP157 states that 250-V CDM allows safe manufacturing with a standard ESD control process.

### 6.3 Recommended Operating Conditions

over operating free-air temperature range (unless otherwise noted)

		MIN	NOM	MAX	UNIT
$V_{CC}$ Supply voltage <sup>(1)</sup>	SN54xS24x	4.5	5	5.5	V
	SN74xS24x	4.75	5	5.25	
$V_{IH}$ High-level input voltage		2			V
$V_{IL}$ Low-level input voltage	SN54LS24x			0.7	V
	SN54S24x, SN74xS24x			0.8	
$I_{OH}$ High-level output current	SN54xS24x			-12	mA
	SN74xS24x			-15	
$I_{OL}$ Low-level output current	SN54LS24x			12	mA
	SN54S24x			48	
	SN74LS24x			24	
	SN74S24x			64	
External resistance between any input and $V_{CC}$ or ground (SNx4S24x only)				40	k $\Omega$
$T_A$ Operating free-air temperature <sup>(2)</sup>	SN54xS24x	-55		125	°C
	SN74xS24x	0		70	

- (1) Voltage values are with respect to network ground terminal.
- (2) An SN54S241J operating at free-air temperature above 116°C requires a heat sink that provides a thermal resistance from case to free air,  $R_{\theta CA}$ , of not more than 40°C/W.

## 6.4 Thermal Information

THERMAL METRIC <sup>(1)</sup>		SN74LS240, SN74LS244	SN74LS24x, SN74S24x		SN74LS24x	UNIT
		DB (SSOP)	DW (SOIC)	N (PDIP)	NS (SOP)	
		20 PINS	20 PINS	20 PINS	20 PINS	
R <sub>θJA</sub>	Junction-to-ambient thermal resistance <sup>(2)(3)</sup>	94.3	90.3	50.6	76.6	°C/W
R <sub>θJC(top)</sub>	Junction-to-case (top) thermal resistance	55.9	45.5	37.4	42.9	°C/W
R <sub>θJB</sub>	Junction-to-board thermal resistance	49.5	48.1	31.5	44.1	°C/W
ψ <sub>JT</sub>	Junction-to-top characterization parameter	21.3	19.4	24	19.2	°C/W
ψ <sub>JB</sub>	Junction-to-board characterization parameter	49.1	47.6	31.4	43.7	°C/W

- (1) For more information about traditional and new thermal metrics, see the [Semiconductor and IC Package Thermal Metrics](#) application report.
- (2) Voltage values are with respect to network ground terminal.
- (3) The package thermal impedance is calculated in accordance with JESD 51-7.

## 6.5 Electrical Characteristics – SNx4LS24x

over recommended operating free-air temperature range (unless otherwise noted)

PARAMETER	TEST CONDITIONS <sup>(1)</sup>		MIN	TYP <sup>(2)</sup>	MAX	UNIT	
V <sub>IK</sub>	V <sub>CC</sub> = MIN, I <sub>I</sub> = –18 mA				–1.5	V	
Hysteresis (V <sub>T+</sub> – V <sub>T–</sub> )	V <sub>CC</sub> = MIN		0.2	0.4		V	
V <sub>OH</sub>	V <sub>CC</sub> = MIN, I <sub>OH</sub> = –3 mA, V <sub>IH</sub> = 2 V, V <sub>IL</sub> = MAX		2.4	3.4		V	
	V <sub>CC</sub> = MIN, I <sub>OH</sub> = MAX, V <sub>IH</sub> = 2 V, V <sub>IL</sub> = 0.5 V		2				
V <sub>OL</sub>	V <sub>CC</sub> = MIN, V <sub>IL</sub> = MAX, V <sub>IH</sub> = 2 V		I <sub>OL</sub> = 12 mA, SN54LS24x		0.4	V	
			I <sub>OL</sub> = 24 mA, SN74LS24x		0.5		
I <sub>OZH</sub>	V <sub>CC</sub> = MAX, V <sub>IL</sub> = MAX, V <sub>IH</sub> = 2 V, V <sub>O</sub> = 2.7 V				20	μA	
I <sub>OZL</sub>	V <sub>CC</sub> = MAX, V <sub>IL</sub> = MAX, V <sub>IH</sub> = 2 V, V <sub>O</sub> = 0.4 V				–20	μA	
I <sub>I</sub>	V <sub>CC</sub> = MAX, V <sub>I</sub> = 7 V				0.1	mA	
I <sub>IH</sub>	V <sub>CC</sub> = MAX, V <sub>I</sub> = 2.7 V				20	μA	
I <sub>IL</sub>	V <sub>CC</sub> = MAX, V <sub>IL</sub> = 0.4 V				–0.2	mA	
I <sub>OS</sub> <sup>(3)</sup>	V <sub>CC</sub> = MAX		–40		–225	mA	
I <sub>CC</sub>	V <sub>CC</sub> = MAX, output open	Outputs high	All		17	27	mA
		Outputs low	SNx4LS240		26	44	
			SNx4LS241, SNx4LS244		27	46	
		Outputs disabled	SNx4LS240		29	50	
SNx4LS241, SNx4LS244			32	54			

- (1) For conditions shown as minimum or maximum, use the appropriate value specified under recommended operating conditions.
- (2) All typical values are at V<sub>CC</sub> = 5 V and T<sub>A</sub> = 25°C.
- (3) Not more than one output must be shorted at a time, and duration of the short-circuit must not exceed one second.

## 6.6 Electrical Characteristics – SNx4S24x

over recommended operating free-air temperature range (unless otherwise noted)

PARAMETER	TEST CONDITIONS <sup>(1)</sup>		MIN	TYP <sup>(2)</sup>	MAX	UNIT
V <sub>IK</sub>	V <sub>CC</sub> = MIN, I <sub>I</sub> = –18 mA				–1.2	V
Hysteresis (V <sub>T+</sub> – V <sub>T–</sub> )	V <sub>CC</sub> = MIN		0.2	0.4		V
V <sub>OH</sub>	V <sub>CC</sub> = MIN, I <sub>OH</sub> = –1 mA, V <sub>IH</sub> = 2 V, V <sub>IL</sub> = 0.8 V, SN74S24x only		2.7			V
	V <sub>CC</sub> = MIN, I <sub>OH</sub> = –3 mA, V <sub>IH</sub> = 2 V, V <sub>IL</sub> = 0.8 V		2.4	3.4		
	V <sub>CC</sub> = MIN, I <sub>OH</sub> = MAX, V <sub>IH</sub> = 2 V, V <sub>IL</sub> = 0.5 V		2			
V <sub>OL</sub>	V <sub>CC</sub> = MIN, V <sub>IL</sub> = MAX, V <sub>IH</sub> = 2 V, I <sub>OL</sub> = 0.8 V				0.55	V

- (1) For conditions shown as minimum or maximum, use the appropriate value specified under recommended operating conditions.
- (2) All typical values are at V<sub>CC</sub> = 5 V, T<sub>A</sub> = 25°C.

## Electrical Characteristics – SNx4S24x (continued)

over recommended operating free-air temperature range (unless otherwise noted)

PARAMETER	TEST CONDITIONS <sup>(1)</sup>		MIN	TYP <sup>(2)</sup>	MAX	UNIT	
I <sub>OZH</sub>	V <sub>CC</sub> = MAX, V <sub>IL</sub> = 0.8 V, V <sub>IH</sub> = 2 V, V <sub>O</sub> = 2.4 V				50	μA	
I <sub>OZL</sub>	V <sub>CC</sub> = MAX, V <sub>IL</sub> = MAX, V <sub>IH</sub> = 2 V, V <sub>O</sub> = 0.5 V				–50	μA	
I <sub>I</sub>	V <sub>CC</sub> = MAX, V <sub>I</sub> = 5.5 V				1	mA	
I <sub>IH</sub>	V <sub>CC</sub> = MAX, V <sub>I</sub> = 2.7 V				50	μA	
I <sub>IL</sub>	V <sub>CC</sub> = MAX, V <sub>IL</sub> = 0.5 V	Any A			–400	μA	
		Any G			–2	mA	
I <sub>OS</sub> <sup>(3)</sup>	V <sub>CC</sub> = MAX		–50		–225	mA	
I <sub>CC</sub>	V <sub>CC</sub> = MAX, output open	Outputs high	SN54S240		80	123	mA
			SN74S240		80	135	
			SN54S241, SN54S244		95	147	
			SN74S241, SN74S244		95	160	
		Outputs low	SN54S240		100	145	
			SN74S240		100	150	
			SN54S241, SN54S244		120	170	
			SN74S241, SN74S244		120	180	
		Outputs disabled	SN54S240		100	145	
			SN74S240		100	150	
			SN54S241, SN54S244		120	170	
			SN74S241, SN74S244		120	180	

(3) Not more than one output must be shorted at a time, and duration of the short-circuit must not exceed one second.

## 6.7 Switching Characteristics – SNx4LS24x

V<sub>CC</sub> = 5 V, T<sub>A</sub> = 25°C (see [SN54LS24x](#) and [SN74LS24x](#) Devices)

PARAMETER	TEST CONDITIONS		MIN	TYP	MAX	UNIT
t <sub>PLH</sub>	R <sub>L</sub> = 667 Ω, C <sub>L</sub> = 45 pF	SNx4LS240		9	14	ns
		SNx4LS241, SNx4LS244		12	18	
t <sub>PHL</sub>	R <sub>L</sub> = 667 Ω, C <sub>L</sub> = 45 pF			12	18	ns
t <sub>PZL</sub>	R <sub>L</sub> = 667 Ω, C <sub>L</sub> = 45 pF			20	30	ns
t <sub>PZH</sub>	R <sub>L</sub> = 667 Ω, C <sub>L</sub> = 45 pF			15	23	ns
t <sub>PLZ</sub>	R <sub>L</sub> = 667 Ω, C <sub>L</sub> = 5 pF			10	20	ns
t <sub>PHZ</sub>	R <sub>L</sub> = 667 Ω, C <sub>L</sub> = 5 pF			15	25	ns

## 6.8 Switching Characteristics – SNx4S24x

V<sub>CC</sub> = 5 V and T<sub>A</sub> = 25°C (see [SN54S24x](#) and [SN74S24x](#) Devices)

PARAMETER	TEST CONDITIONS		MIN	TYP	MAX	UNIT
t <sub>PLH</sub>	R <sub>L</sub> = 90 Ω, C <sub>L</sub> = 50 pF	SNx4S240		4.5	7	ns
		SNx4S241, SNx4S244		6	9	
t <sub>PHL</sub>	R <sub>L</sub> = 90 Ω, C <sub>L</sub> = 50 pF	SNx4S240		4.5	7	ns
		SNx4S241, SNx4S244		6	9	
t <sub>PZL</sub>	R <sub>L</sub> = 90 Ω, C <sub>L</sub> = 50 pF			10	15	ns
t <sub>PZH</sub>	R <sub>L</sub> = 90 Ω, C <sub>L</sub> = 50 pF	SNx4S240		6.5	10	ns
		SNx4S241, SNx4S244		8	12	
t <sub>PLZ</sub>	R <sub>L</sub> = 90 Ω, C <sub>L</sub> = 5 pF			10	15	ns
t <sub>PHZ</sub>	R <sub>L</sub> = 90 Ω, C <sub>L</sub> = 5 pF			6	9	ns

## 6.9 Typical Characteristics

$V_{CC} = 5\text{ V}$ ,  $T_A = 25^\circ\text{C}$ ,  $C_L = 45\text{ pF}$ , and  $R_L = 667\ \Omega$  (unless otherwise noted)

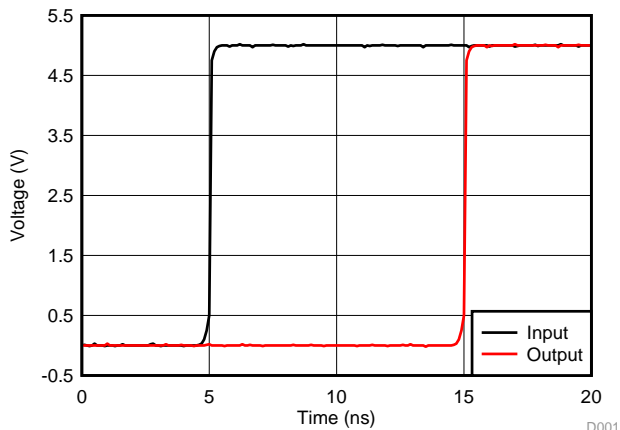


Figure 1. Simulated Propagation Delay From Input to Output

## 7 Parameter Measurement Information

### 7.1 SN54LS24x and SN74LS24x Devices

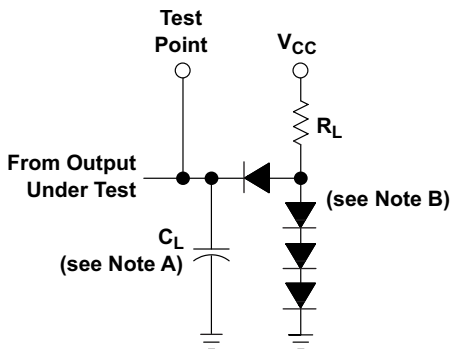


Figure 2. Load Circuit, For 2-State Totem-Pole Outputs

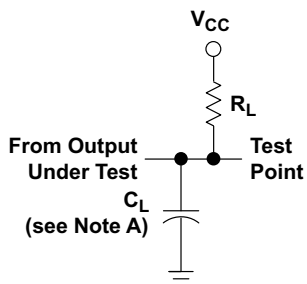


Figure 3. Load Circuit, For Open-Collector Outputs

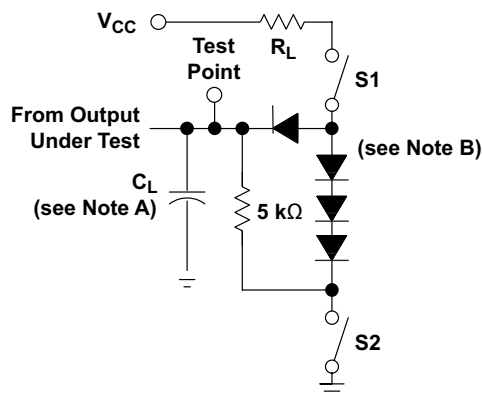


Figure 4. Load Circuit, For 3-State Outputs

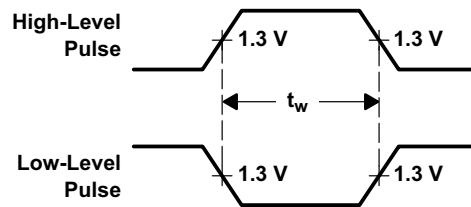


Figure 5. Voltage Waveforms, Pulse Durations



**Figure 6. Voltage Waveforms, Setup and Hold Times**



**Figure 7. Voltage Waveforms, Propagation Delay Times**



- $C_L$  includes probe and jig capacitance.
- All diodes are 1N3064 or equivalent.
- Waveform 1 is for an output with internal conditions such that the output is low except when disabled by the output control. Waveform 2 is for an output with internal conditions such that the output is high except when disabled by the output control.
- S1 and S2 are closed for  $t_{PLH}$ ,  $t_{PHL}$ ,  $t_{PHZ}$ , and  $t_{PLZ}$ ; S1 is open and S2 is closed for  $t_{PZH}$ ; S1 is closed and S2 is open for  $t_{PZL}$ .
- Phase relationships between inputs and outputs have been chosen arbitrarily for these examples.
- All input pulses are supplied by generators having the following characteristics:  $PRR \leq 1$  MHz,  $Z_O$  is approximately  $50 \Omega$ ,  $t_r \leq 15$  ns,  $t_f \leq 6$  ns.
- The outputs are measured one at a time with one input transition per measurement.

**Figure 8. Voltage Waveforms, Enable and Disable Times, 3-State Outputs**



## 7.2 SN54S24x and SN74S24x Devices

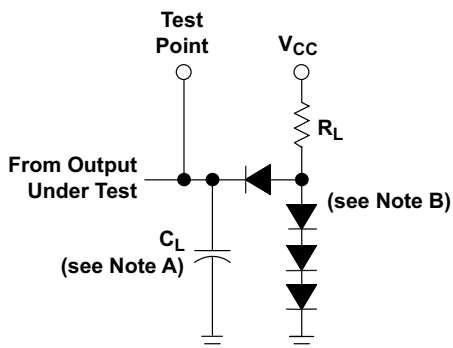


Figure 9. Load Circuit, For 2-State Totem-Pole Outputs

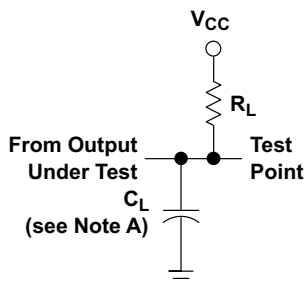


Figure 10. Load Circuit, For Open-Collector Outputs

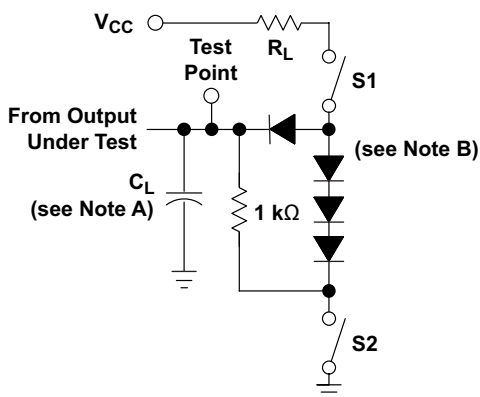


Figure 11. Load Circuit, For 3-State Outputs

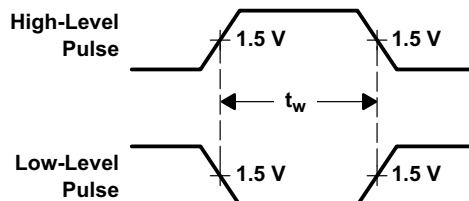


Figure 12. Voltage Waveforms, Pulse Durations

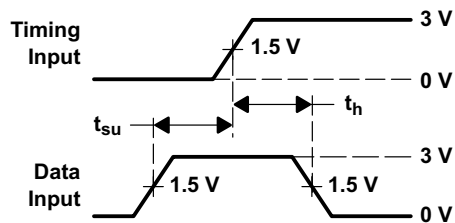


Figure 13. Voltage Waveforms, Setup and Hold Times

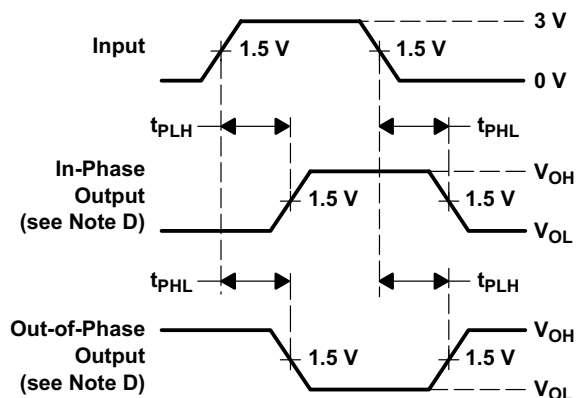


Figure 14. Voltage Waveforms, Propagation Delay Times



- A.  $C_L$  includes probe and jig capacitance.
- B. All diodes are 1N3064 or equivalent.
- C. Waveform 1 is for an output with internal conditions such that the output is low except when disabled by the output control. Waveform 2 is for an output with internal conditions such that the output is high except when disabled by the output control.
- D. S1 and S2 are closed for  $t_{PLH}$ ,  $t_{PHL}$ ,  $t_{PHZ}$ , and  $t_{PLZ}$ ; S1 is open and S2 is closed for  $t_{PZH}$ ; S1 is closed and S2 is open for  $t_{PZL}$ .
- E. All input pulses are supplied by generators having the following characteristics: PRR  $\leq$  1 MHz,  $Z_O$  is approximately 50  $\Omega$ ;  $t_r$  and  $t_f \leq$  7 ns for SN54LS24x and SN74LS24x devices, and  $t_r$  and  $t_f \leq$  2.5 ns for SN54S24x and SN74S24x devices.
- F. The outputs are measured one at a time with one input transition per measurement.

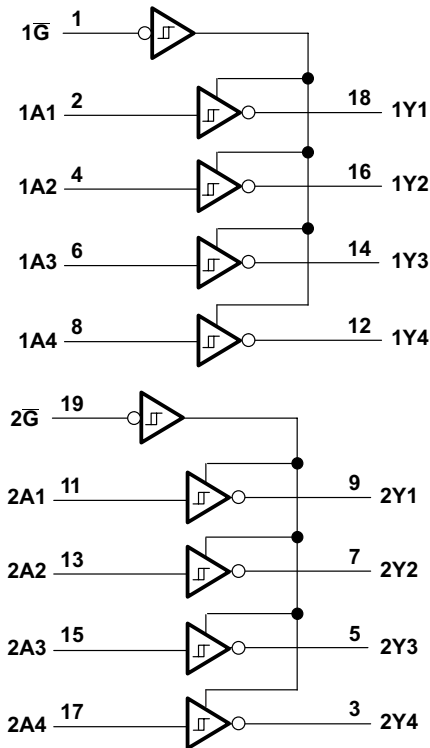
**Figure 15. Voltage Waveforms, Enable and Disable Times, 3-State Outputs**

## 8 Detailed Description

### 8.1 Overview

This device is organized as two 4-bit buffers and drivers with separate output-enable ( $\overline{G}$ ) inputs. When  $\overline{G}$  is low, the device passes data from the A inputs to the Y outputs. When  $\overline{G}$  is high, the outputs are in the high impedance state. Inputs can be driven from either 3.3-V or 5-V devices. This feature allows the use of this device as a translator in a mixed 3.3-V and 5-V system environment. To ensure the high-impedance state during power up or power down,  $\overline{G}$  must be tied to  $V_{CC}$  through a pullup resistor; the minimum value of the resistor is determined by the current-sinking capability of the driver.

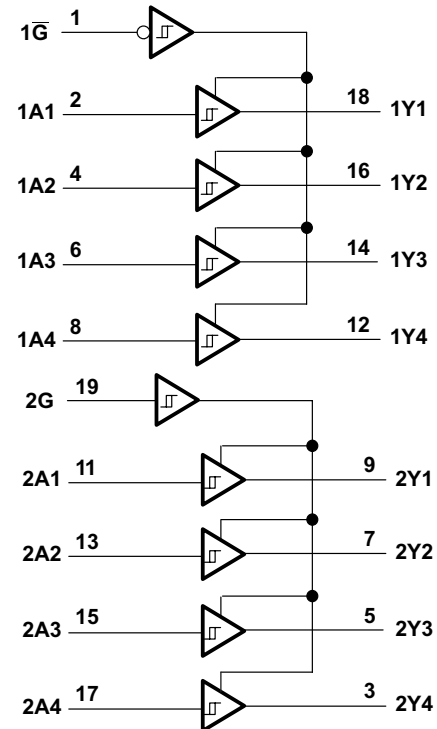
### 8.2 Functional Block Diagrams



Copyright © 2016, Texas Instruments Incorporated

Pin numbers shown are for DB, DW, J, N, NS, and W packages

**Figure 16. SNx4LS240 and SNx4S240 Logic Diagram**



Copyright © 2016, Texas Instruments Incorporated

Pin numbers shown are for DB, DW, J, N, NS, and W packages

**Figure 17. SNx4LS241 and SNx4S241 Logic Diagram**



Copyright © 2016, Texas Instruments Incorporated

Pin numbers shown are for DB, DW, J, N, NS, and W packages

**Figure 18. SNx4LS244 and SNx4S244  
Logic Diagram**

## 8.3 Feature Description

### 8.3.1 3-State Outputs

The 3-state outputs can drive bus lines directly. All outputs can be put into high impedance mode through the  $\overline{G}$  pin.

### 8.3.2 PNP Inputs

This device has PNP inputs which reduce dc loading on bus lines.

### 8.3.3 Hysteresis on Bus Inputs

The bus inputs have built-in hysteresis that improves noise margins.

## 8.4 Device Functional Modes

The SNx4LS24x and SNx4S24x devices can be used as inverting and non-inverting bus buffers for data line transmission and can isolate input to output by setting the  $\overline{G}$  pin HIGH. [Table 1](#), [Table 2](#), and [Table 3](#) list the function tables for all devices.

**Table 1. SNx4LS240 and SNx4S240  
Function Table**

INPUTS		OUTPUTS
$\overline{G}$	A	Y
L	L	H
L	H	L
H	X	Z

Table 2. SNx4LS241 and SNx4S241  
Function Table

CHANNEL 1			CHANNEL 2		
INPUTS		OUTPUT	INPUTS		OUTPUT
1 $\bar{G}$	1A	1Y	2G	2A	2Y
L	L	L	H	L	L
L	H	H	H	H	H
H	X	Z	L	X	Z

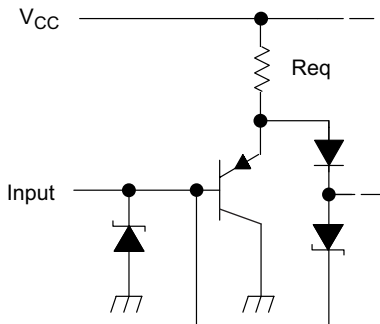
Table 3. SNx4LS244 and SNx4S244  
Function Table

INPUTS		OUTPUTS
$\bar{G}$	A	Y
L	L	L
L	H	H
H	X	Z



Copyright © 2016, Texas Instruments Incorporated

Figure 19. SNx4LS240, SNx4LS241, SNx4LS244  
Equivalent of Each Input

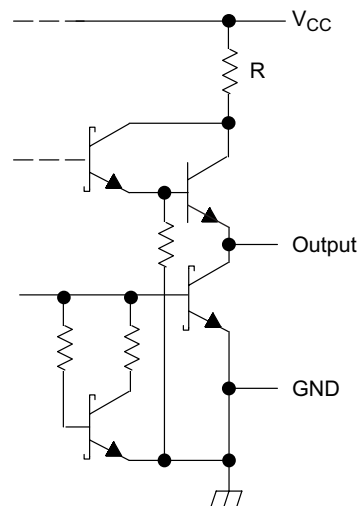


Copyright © 2016, Texas Instruments Incorporated

G and  $\bar{G}$  inputs:  $R_{eq} = 2 \text{ k}\Omega \text{ NOM}$

A inputs:  $R_{eq} = 2.8 \text{ k}\Omega \text{ NOM}$

Figure 20. SNx4S240, SNx4S241, SNx4S244  
Equivalent of Each Input



Copyright © 2016, Texas Instruments Incorporated

SNx4LS240, SNx4LS241, SNx4LS244:

$R = 50 \Omega \text{ NOM}$

SNx4S240, SNx4S241, SNx4S244:

$R = 25 \Omega \text{ NOM}$

Figure 21. Typical of All Outputs

## 9 Application and Implementation

### NOTE

Information in the following applications sections is not part of the TI component specification, and TI does not warrant its accuracy or completeness. TI's customers are responsible for determining suitability of components for their purposes. Customers should validate and test their design implementation to confirm system functionality.

### 9.1 Application Information

The SNx4LS24x, SNx4S24x octal buffers and line drivers are designed to be used for a multitude of bus interface type applications where output drive or PCB trace length is a concern.

### 9.2 Typical Application

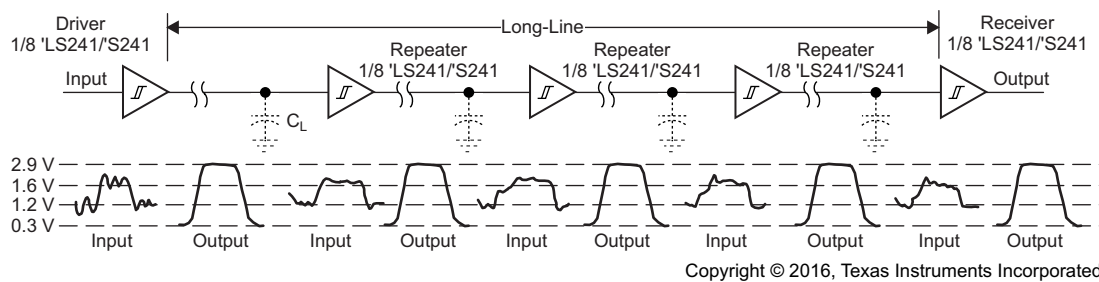


Figure 22. SNx4LS241 and SNx4S241 Used as Repeater or Level Restorer

#### 9.2.1 Design Requirements

This device uses Schottky transistor logic technology. Take care to avoid bus contention because it can drive currents that would exceed maximum limits. The high drive creates fast edges into light loads, so routing and load conditions must be considered to prevent ringing.

#### 9.2.2 Detailed Design Procedure

- Power Supply
  - Each device must maintain a supply voltage between 4.5 V and 5.5 V.
- Inputs
  - Input signals must meet the  $V_{IH}$  and  $V_{IL}$  specifications in [Electrical Characteristics – SNx4LS24x](#).
  - Inputs leakage values ( $I_I$ ,  $I_{IH}$ ,  $I_{IL}$ ) from [Electrical Characteristics – SNx4LS24x](#) must be considered.
- Outputs
  - Output signals are specified to meet the  $V_{OH}$  and  $V_{OL}$  specifications in [Electrical Characteristics – SNx4LS24x](#) as a minimum (the values could be closer to  $V_{CC}$  for high signals or GND for low signals).
  - TI recommends maintaining output currents as specified in [Recommended Operating Conditions](#).
  - The part can be damaged by sourcing or sinking too much current (see [Electrical Characteristics – SNx4LS24x](#) for details).

Typical Application (continued)

9.2.3 Application Curve

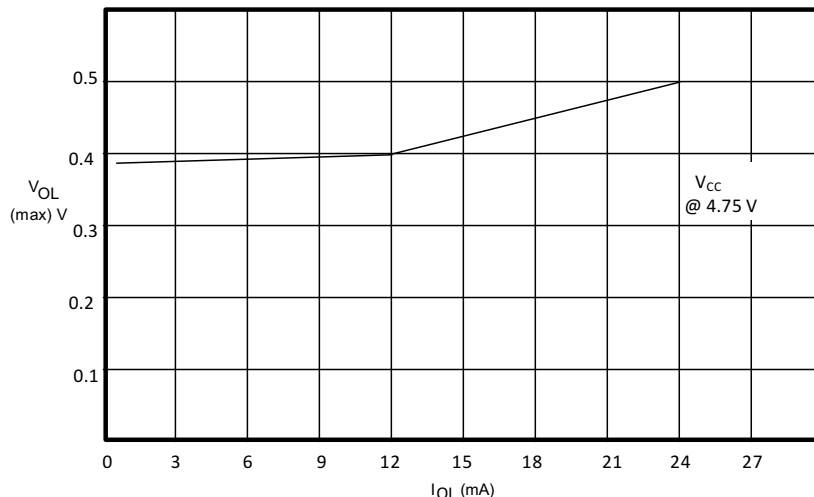
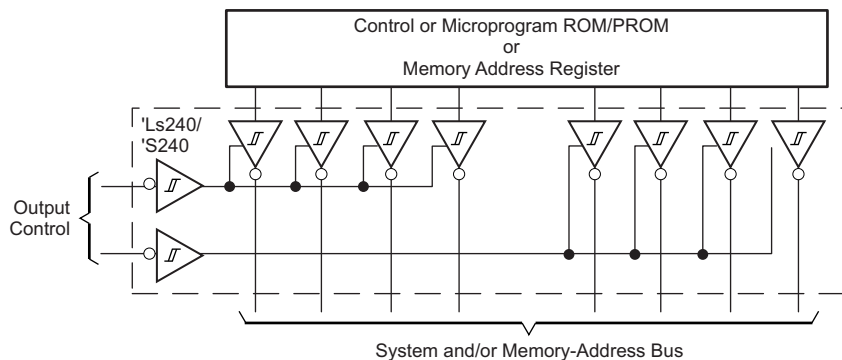


Figure 23. V<sub>OL</sub> vs I<sub>OL</sub>

9.3 System Examples

The SNx4LS240 and SNx4S240 devices can be used to buffer signals along a memory bus. The increased output drive helps data transmission reliability. Figure 24 shows a schematic of this example.



Copyright © 2016, Texas Instruments Incorporated

4-bit organization can be applied to handle binary or BCD

Figure 24. SNx4LS240 and SNx4S240 Used as System or Memory Bus Driver

The SNx4LS240 and SNx4S240 devices have two independently controlled 4-bit drivers, and can be used to buffer signals in a bidirectional manner along a data bus. Figure 25 shows the SNx4LS240 or SNx4S240 used in this manner.

System Examples (continued)



Copyright © 2016, Texas Instruments Incorporated

Figure 25. Independent 4-Bit But Drivers/Receivers in a Single Package

The enable pins on the SNx4LS241 and SNx4S241 devices can be used to help direct signals along a shared party-line bus. Figure 26 shows a general configuration of how to implement this structure. Take care to ensure that bus contention does not occur.



Copyright © 2016, Texas Instruments Incorporated

Figure 26. Party-Line Bus System With Multiple Inputs, Outputs, and Receivers



## 10 Power Supply Recommendations

The power supply can be any voltage between the minimum and maximum supply voltage rating located in [Recommended Operating Conditions](#). Each  $V_{CC}$  pin must have a good bypass capacitor to prevent power disturbance. For devices with a single supply, TI recommends a 0.1- $\mu$ F bypass capacitor. If there are multiple  $V_{CC}$  pins, TI recommends a 0.01- $\mu$ F or 0.022- $\mu$ F bypass capacitors for each power pin. It is acceptable to parallel multiple bypass capacitors to reject different frequencies of noise. Two bypass capacitors of value 0.1  $\mu$ F and 1  $\mu$ F are commonly used in parallel. For best results, install the bypass capacitor(s) as close to the power pin as possible.

## 11 Layout

### 11.1 Layout Guidelines

When using multiple bit logic devices, inputs must not be left floating. In many applications, some channels of the SNx4LS24x, SNx4S24x are unused, and thus must be terminated properly. Because each transceiver channel pin can be either an input or an output, they must be treated as both when being terminated. Ground or  $V_{CC}$  (whichever is more convenient) can be used to terminate unused inputs; however, each unused channel should be terminated to the same logic level on both the A and Y side. For example, in [Figure 27](#) unused channels are terminated correctly with both sides connected to the same voltage, while channel 8 is terminated incorrectly with each side being tied to a different voltage. The  $\bar{G}$  input is also unused in this example, and is terminated directly to ground to permanently enable all outputs.

### 11.2 Layout Example

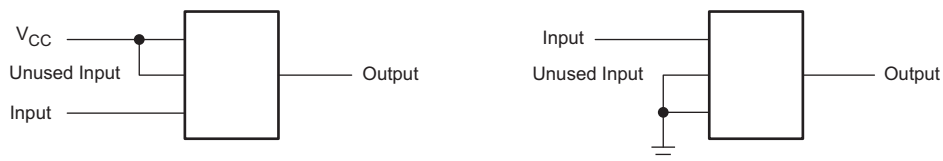


Figure 27. Example Demonstrating How to Terminate Unused Inputs and Channels of a Transceiver

## 12 Device and Documentation Support

### 12.1 Related Links

The table below lists quick access links. Categories include technical documents, support and community resources, tools and software, and quick access to sample or buy.

Table 4. Related Links

PARTS	PRODUCT FOLDER	SAMPLE & BUY	TECHNICAL DOCUMENTS	SUPPORT & COMMUNITY
SN54LS240	<a href="#">Click here</a>	<a href="#">Click here</a>	<a href="#">Click here</a>	<a href="#">Click here</a>
SN74LS241	<a href="#">Click here</a>	<a href="#">Click here</a>	<a href="#">Click here</a>	<a href="#">Click here</a>
SN74LS244	<a href="#">Click here</a>	<a href="#">Click here</a>	<a href="#">Click here</a>	<a href="#">Click here</a>
SN54S240	<a href="#">Click here</a>	<a href="#">Click here</a>	<a href="#">Click here</a>	<a href="#">Click here</a>
SN54S241	<a href="#">Click here</a>	<a href="#">Click here</a>	<a href="#">Click here</a>	<a href="#">Click here</a>
SN54S244	<a href="#">Click here</a>	<a href="#">Click here</a>	<a href="#">Click here</a>	<a href="#">Click here</a>
SN74LS240	<a href="#">Click here</a>	<a href="#">Click here</a>	<a href="#">Click here</a>	<a href="#">Click here</a>
SN74LS241	<a href="#">Click here</a>	<a href="#">Click here</a>	<a href="#">Click here</a>	<a href="#">Click here</a>
SN74LS244	<a href="#">Click here</a>	<a href="#">Click here</a>	<a href="#">Click here</a>	<a href="#">Click here</a>
SN74S240	<a href="#">Click here</a>	<a href="#">Click here</a>	<a href="#">Click here</a>	<a href="#">Click here</a>
SN74S241	<a href="#">Click here</a>	<a href="#">Click here</a>	<a href="#">Click here</a>	<a href="#">Click here</a>
SN74S241	<a href="#">Click here</a>	<a href="#">Click here</a>	<a href="#">Click here</a>	<a href="#">Click here</a>

### 12.2 Receiving Notification of Documentation Updates

To receive notification of documentation updates, navigate to the device product folder on ti.com. In the upper right corner, click on *Alert me* to register and receive a weekly digest of any product information that has changed. For change details, review the revision history included in any revised document.

### 12.3 Community Resource

The following links connect to TI community resources. Linked contents are provided "AS IS" by the respective contributors. They do not constitute TI specifications and do not necessarily reflect TI's views; see TI's [Terms of Use](#).

**TI E2E™ Online Community** *TI's Engineer-to-Engineer (E2E) Community*. Created to foster collaboration among engineers. At e2e.ti.com, you can ask questions, share knowledge, explore ideas and help solve problems with fellow engineers.

**Design Support** *TI's Design Support* Quickly find helpful E2E forums along with design support tools and contact information for technical support.

### 12.4 Trademarks

E2E is a trademark of Texas Instruments.  
 All other trademarks are the property of their respective owners.

### 12.5 Electrostatic Discharge Caution



These devices have limited built-in ESD protection. The leads should be shorted together or the device placed in conductive foam during storage or handling to prevent electrostatic damage to the MOS gates.

### 12.6 Glossary

[SLYZ022](#) — *TI Glossary*.

This glossary lists and explains terms, acronyms, and definitions.

### 13 Mechanical, Packaging, and Orderable Information

The following pages include mechanical, packaging, and orderable information. This information is the most current data available for the designated devices. This data is subject to change without notice and revision of this document. For browser-based versions of this data sheet, refer to the left-hand navigation.

**PACKAGING INFORMATION**

Orderable Device	Status (1)	Package Type	Package Drawing	Pins	Package Qty	Eco Plan (2)	Lead finish/ Ball material (6)	MSL Peak Temp (3)	Op Temp (°C)	Device Marking (4/5)	Samples
5962-7801201VSA	ACTIVE	CFP	W	20	25	Non-RoHS & Green	SNPB	N / A for Pkg Type	-55 to 125	5962-7801201VS A SNV54LS240W	<a href="#">Samples</a>
7705701RA	ACTIVE	CDIP	J	20	20	Non-RoHS & Green	SNPB	N / A for Pkg Type	-55 to 125	7705701RA SNJ54LS244J	<a href="#">Samples</a>
7705701SA	ACTIVE	CFP	W	20	25	Non-RoHS & Green	SNPB	N / A for Pkg Type	-55 to 125	7705701SA SNJ54LS244W	<a href="#">Samples</a>
78012012A	ACTIVE	LCCC	FK	20	55	Non-RoHS & Green	SNPB	N / A for Pkg Type	-55 to 125	78012012A SNJ54LS 240FK	<a href="#">Samples</a>
7801201RA	ACTIVE	CDIP	J	20	20	Non-RoHS & Green	SNPB	N / A for Pkg Type	-55 to 125	7801201RA SNJ54LS240J	<a href="#">Samples</a>
7801201SA	ACTIVE	CFP	W	20	25	Non-RoHS & Green	SNPB	N / A for Pkg Type	-55 to 125	7801201SA SNJ54LS240W	<a href="#">Samples</a>
JM38510/32401B2A	ACTIVE	LCCC	FK	20	55	Non-RoHS & Green	SNPB	N / A for Pkg Type	-55 to 125	JM38510/ 32401B2A	<a href="#">Samples</a>
JM38510/32401BRA	ACTIVE	CDIP	J	20	20	Non-RoHS & Green	SNPB	N / A for Pkg Type	-55 to 125	JM38510/ 32401BRA	<a href="#">Samples</a>
JM38510/32401BSA	ACTIVE	CFP	W	20	25	Non-RoHS & Green	SNPB	N / A for Pkg Type	-55 to 125	JM38510/ 32401BSA	<a href="#">Samples</a>
JM38510/32402B2A	ACTIVE	LCCC	FK	20	55	Non-RoHS & Green	SNPB	N / A for Pkg Type	-55 to 125	JM38510/ 32402B2A	<a href="#">Samples</a>
JM38510/32402BRA	ACTIVE	CDIP	J	20	20	Non-RoHS & Green	SNPB	N / A for Pkg Type	-55 to 125	JM38510/ 32402BRA	<a href="#">Samples</a>
JM38510/32402BSA	ACTIVE	CFP	W	20	25	Non-RoHS & Green	SNPB	N / A for Pkg Type	-55 to 125	JM38510/ 32402BSA	<a href="#">Samples</a>
JM38510/32403B2A	ACTIVE	LCCC	FK	20	55	Non-RoHS & Green	SNPB	N / A for Pkg Type	-55 to 125	JM38510/ 32403B2A	<a href="#">Samples</a>
JM38510/32403BRA	ACTIVE	CDIP	J	20	20	Non-RoHS & Green	SNPB	N / A for Pkg Type	-55 to 125	JM38510/ 32403BRA	<a href="#">Samples</a>
JM38510/32403BSA	ACTIVE	CFP	W	20	25	Non-RoHS & Green	SNPB	N / A for Pkg Type	-55 to 125	JM38510/ 32403BSA	<a href="#">Samples</a>
JM38510/32403SRA	ACTIVE	CDIP	J	20	20	Non-RoHS & Green	SNPB	N / A for Pkg Type	-55 to 125	JM38510/ 32403SRA	<a href="#">Samples</a>

Orderable Device	Status (1)	Package Type	Package Drawing	Pins	Package Qty	Eco Plan (2)	Lead finish/ Ball material (6)	MSL Peak Temp (3)	Op Temp (°C)	Device Marking (4/5)	Samples
JM38510/32403SSA	ACTIVE	CFP	W	20	25	Non-RoHS & Green	SNPB	N / A for Pkg Type	-55 to 125	JM38510/ 32403SSA	<a href="#">Samples</a>
M38510/32401B2A	ACTIVE	LCCC	FK	20	55	Non-RoHS & Green	SNPB	N / A for Pkg Type	-55 to 125	JM38510/ 32401B2A	<a href="#">Samples</a>
M38510/32401BRA	ACTIVE	CDIP	J	20	20	Non-RoHS & Green	SNPB	N / A for Pkg Type	-55 to 125	JM38510/ 32401BRA	<a href="#">Samples</a>
M38510/32401BSA	ACTIVE	CFP	W	20	25	Non-RoHS & Green	SNPB	N / A for Pkg Type	-55 to 125	JM38510/ 32401BSA	<a href="#">Samples</a>
M38510/32402B2A	ACTIVE	LCCC	FK	20	55	Non-RoHS & Green	SNPB	N / A for Pkg Type	-55 to 125	JM38510/ 32402B2A	<a href="#">Samples</a>
M38510/32402BRA	ACTIVE	CDIP	J	20	20	Non-RoHS & Green	SNPB	N / A for Pkg Type	-55 to 125	JM38510/ 32402BRA	<a href="#">Samples</a>
M38510/32402BSA	ACTIVE	CFP	W	20	25	Non-RoHS & Green	SNPB	N / A for Pkg Type	-55 to 125	JM38510/ 32402BSA	<a href="#">Samples</a>
M38510/32403B2A	ACTIVE	LCCC	FK	20	55	Non-RoHS & Green	SNPB	N / A for Pkg Type	-55 to 125	JM38510/ 32403B2A	<a href="#">Samples</a>
M38510/32403BRA	ACTIVE	CDIP	J	20	20	Non-RoHS & Green	SNPB	N / A for Pkg Type	-55 to 125	JM38510/ 32403BRA	<a href="#">Samples</a>
M38510/32403BSA	ACTIVE	CFP	W	20	25	Non-RoHS & Green	SNPB	N / A for Pkg Type	-55 to 125	JM38510/ 32403BSA	<a href="#">Samples</a>
M38510/32403SRA	ACTIVE	CDIP	J	20	20	Non-RoHS & Green	SNPB	N / A for Pkg Type	-55 to 125	JM38510/ 32403SRA	<a href="#">Samples</a>
M38510/32403SSA	ACTIVE	CFP	W	20	25	Non-RoHS & Green	SNPB	N / A for Pkg Type	-55 to 125	JM38510/ 32403SSA	<a href="#">Samples</a>
SN54LS240J	ACTIVE	CDIP	J	20	20	Non-RoHS & Green	SNPB	N / A for Pkg Type	-55 to 125	SN54LS240J	<a href="#">Samples</a>
SN54LS241J	ACTIVE	CDIP	J	20	20	Non-RoHS & Green	SNPB	N / A for Pkg Type	-55 to 125	SN54LS241J	<a href="#">Samples</a>
SN54LS244J	ACTIVE	CDIP	J	20	20	Non-RoHS & Green	SNPB	N / A for Pkg Type	-55 to 125	SN54LS244J	<a href="#">Samples</a>
SN54S240J	ACTIVE	CDIP	J	20	20	Non-RoHS & Green	SNPB	N / A for Pkg Type	-55 to 125	SN54S240J	<a href="#">Samples</a>
SN54S241J	ACTIVE	CDIP	J	20	20	Non-RoHS & Green	SNPB	N / A for Pkg Type	-55 to 125	SN54S241J	<a href="#">Samples</a>

Orderable Device	Status (1)	Package Type	Package Drawing	Pins	Package Qty	Eco Plan (2)	Lead finish/ Ball material (6)	MSL Peak Temp (3)	Op Temp (°C)	Device Marking (4/5)	Samples
SN54S244J	ACTIVE	CDIP	J	20	20	Non-RoHS & Green	SNPB	N / A for Pkg Type	-55 to 125	SN54S244J	<a href="#">Samples</a>
SN74LS240DBR	ACTIVE	SSOP	DB	20	2000	RoHS & Green	NIPDAU	Level-1-260C-UNLIM		LS240	<a href="#">Samples</a>
SN74LS240DWR	ACTIVE	SOIC	DW	20	2000	RoHS & Green	NIPDAU	Level-1-260C-UNLIM	0 to 70	LS240	<a href="#">Samples</a>
SN74LS240N	ACTIVE	PDIP	N	20	20	RoHS & Green	NIPDAU	N / A for Pkg Type	0 to 70	SN74LS240N	<a href="#">Samples</a>
SN74LS240NE4	ACTIVE	PDIP	N	20	20	RoHS & Green	NIPDAU	N / A for Pkg Type	0 to 70	SN74LS240N	<a href="#">Samples</a>
SN74LS240NSR	ACTIVE	SO	NS	20	2000	RoHS & Green	NIPDAU	Level-1-260C-UNLIM	0 to 70	74LS240	<a href="#">Samples</a>
SN74LS241DWR	ACTIVE	SOIC	DW	20	2000	RoHS & Green	NIPDAU	Level-1-260C-UNLIM	0 to 70	LS241	<a href="#">Samples</a>
SN74LS241N	ACTIVE	PDIP	N	20	20	RoHS & Non-Green	NIPDAU	N / A for Pkg Type	0 to 70	SN74LS241N	<a href="#">Samples</a>
SN74LS241NSR	ACTIVE	SO	NS	20	2000	RoHS & Green	NIPDAU	Level-1-260C-UNLIM	0 to 70	74LS241	<a href="#">Samples</a>
SN74LS244DBR	ACTIVE	SSOP	DB	20	2000	RoHS & Green	NIPDAU	Level-1-260C-UNLIM	0 to 70	LS244	<a href="#">Samples</a>
SN74LS244DWR	ACTIVE	SOIC	DW	20	2000	RoHS & Green	NIPDAU	Level-1-260C-UNLIM	0 to 70	LS244	<a href="#">Samples</a>
SN74LS244N	ACTIVE	PDIP	N	20	20	RoHS & Green	NIPDAU	N / A for Pkg Type	0 to 70	SN74LS244N	<a href="#">Samples</a>
SN74LS244NE4	ACTIVE	PDIP	N	20	20	RoHS & Green	NIPDAU	N / A for Pkg Type	0 to 70	SN74LS244N	<a href="#">Samples</a>
SN74LS244NSR	ACTIVE	SO	NS	20	2000	RoHS & Green	NIPDAU	Level-1-260C-UNLIM	0 to 70	74LS244	<a href="#">Samples</a>
SN74LS244NSRG4	ACTIVE	SO	NS	20	2000	RoHS & Green	NIPDAU	Level-1-260C-UNLIM	0 to 70	74LS244	<a href="#">Samples</a>
SN74S240DW	ACTIVE	SOIC	DW	20	25	RoHS & Green	NIPDAU	Level-1-260C-UNLIM	0 to 70	S240	<a href="#">Samples</a>
SN74S240N	ACTIVE	PDIP	N	20	20	RoHS & Green	NIPDAU	N / A for Pkg Type	0 to 70	SN74S240N	<a href="#">Samples</a>
SN74S240NE4	ACTIVE	PDIP	N	20	20	RoHS & Green	NIPDAU	N / A for Pkg Type	0 to 70	SN74S240N	<a href="#">Samples</a>
SN74S241DW	ACTIVE	SOIC	DW	20	25	RoHS & Green	NIPDAU	Level-1-260C-UNLIM	0 to 70	S241	<a href="#">Samples</a>
SN74S241N	ACTIVE	PDIP	N	20	20	RoHS & Non-Green	NIPDAU	N / A for Pkg Type	0 to 70	SN74S241N	<a href="#">Samples</a>

Orderable Device	Status (1)	Package Type	Package Drawing	Pins	Package Qty	Eco Plan (2)	Lead finish/ Ball material (6)	MSL Peak Temp (3)	Op Temp (°C)	Device Marking (4/5)	Samples
SN74S244DWR	ACTIVE	SOIC	DW	20	2000	RoHS & Green	NIPDAU	Level-1-260C-UNLIM	0 to 70	S244	<a href="#">Samples</a>
SN74S244N	ACTIVE	PDIP	N	20	20	RoHS & Non-Green	NIPDAU	N / A for Pkg Type	0 to 70	SN74S244N	<a href="#">Samples</a>
SNJ54LS240FK	ACTIVE	LCCC	FK	20	55	Non-RoHS & Green	SNPB	N / A for Pkg Type	-55 to 125	78012012A SNJ54LS 240FK	<a href="#">Samples</a>
SNJ54LS240J	ACTIVE	CDIP	J	20	20	Non-RoHS & Green	SNPB	N / A for Pkg Type	-55 to 125	7801201RA SNJ54LS240J	<a href="#">Samples</a>
SNJ54LS240W	ACTIVE	CFP	W	20	25	Non-RoHS & Green	SNPB	N / A for Pkg Type	-55 to 125	7801201SA SNJ54LS240W	<a href="#">Samples</a>
SNJ54LS241FK	ACTIVE	LCCC	FK	20	55	Non-RoHS & Green	SNPB	N / A for Pkg Type	-55 to 125	SNJ54LS 241FK	<a href="#">Samples</a>
SNJ54LS241J	ACTIVE	CDIP	J	20	20	Non-RoHS & Green	SNPB	N / A for Pkg Type	-55 to 125	SNJ54LS241J	<a href="#">Samples</a>
SNJ54LS241W	ACTIVE	CFP	W	20	25	Non-RoHS & Green	SNPB	N / A for Pkg Type	-55 to 125	SNJ54LS241W	<a href="#">Samples</a>
SNJ54LS244FK	ACTIVE	LCCC	FK	20	55	Non-RoHS & Green	SNPB	N / A for Pkg Type	-55 to 125	SNJ54LS 244FK	<a href="#">Samples</a>
SNJ54LS244J	ACTIVE	CDIP	J	20	20	Non-RoHS & Green	SNPB	N / A for Pkg Type	-55 to 125	7705701RA SNJ54LS244J	<a href="#">Samples</a>
SNJ54LS244W	ACTIVE	CFP	W	20	25	Non-RoHS & Green	SNPB	N / A for Pkg Type	-55 to 125	7705701SA SNJ54LS244W	<a href="#">Samples</a>
SNJ54S240FK	ACTIVE	LCCC	FK	20	55	Non-RoHS & Green	SNPB	N / A for Pkg Type	-55 to 125	SNJ54S 240FK	<a href="#">Samples</a>
SNJ54S240J	ACTIVE	CDIP	J	20	20	Non-RoHS & Green	SNPB	N / A for Pkg Type	-55 to 125	SNJ54S240J	<a href="#">Samples</a>
SNJ54S240W	ACTIVE	CFP	W	20	25	Non-RoHS & Green	SNPB	N / A for Pkg Type	-55 to 125	SNJ54S240W	<a href="#">Samples</a>
SNJ54S241FK	ACTIVE	LCCC	FK	20	55	Non-RoHS & Green	SNPB	N / A for Pkg Type	-55 to 125	SNJ54S 241FK	<a href="#">Samples</a>
SNJ54S241J	ACTIVE	CDIP	J	20	20	Non-RoHS & Green	SNPB	N / A for Pkg Type	-55 to 125	SNJ54S241J	<a href="#">Samples</a>
SNJ54S244J	ACTIVE	CDIP	J	20	20	Non-RoHS & Green	SNPB	N / A for Pkg Type	-55 to 125	SNJ54S244J	<a href="#">Samples</a>

Orderable Device	Status (1)	Package Type	Package Drawing	Pins	Package Qty	Eco Plan (2)	Lead finish/ Ball material (6)	MSL Peak Temp (3)	Op Temp (°C)	Device Marking (4/5)	Samples
SNJ54S244W	ACTIVE	CFP	W	20	25	Non-RoHS & Green	SNPB	N / A for Pkg Type	-55 to 125	SNJ54S244W	Samples

(1) The marketing status values are defined as follows:

**ACTIVE:** Product device recommended for new designs.

**LIFEBUY:** TI has announced that the device will be discontinued, and a lifetime-buy period is in effect.

**NRND:** Not recommended for new designs. Device is in production to support existing customers, but TI does not recommend using this part in a new design.

**PREVIEW:** Device has been announced but is not in production. Samples may or may not be available.

**OBSELETE:** TI has discontinued the production of the device.

(2) **RoHS:** TI defines "RoHS" to mean semiconductor products that are compliant with the current EU RoHS requirements for all 10 RoHS substances, including the requirement that RoHS substance do not exceed 0.1% by weight in homogeneous materials. Where designed to be soldered at high temperatures, "RoHS" products are suitable for use in specified lead-free processes. TI may reference these types of products as "Pb-Free".

**RoHS Exempt:** TI defines "RoHS Exempt" to mean products that contain lead but are compliant with EU RoHS pursuant to a specific EU RoHS exemption.

**Green:** TI defines "Green" to mean the content of Chlorine (Cl) and Bromine (Br) based flame retardants meet JS709B low halogen requirements of <=1000ppm threshold. Antimony trioxide based flame retardants must also meet the <=1000ppm threshold requirement.

(3) MSL, Peak Temp. - The Moisture Sensitivity Level rating according to the JEDEC industry standard classifications, and peak solder temperature.

(4) There may be additional marking, which relates to the logo, the lot trace code information, or the environmental category on the device.

(5) Multiple Device Markings will be inside parentheses. Only one Device Marking contained in parentheses and separated by a "~" will appear on a device. If a line is indented then it is a continuation of the previous line and the two combined represent the entire Device Marking for that device.

(6) Lead finish/Ball material - Orderable Devices may have multiple material finish options. Finish options are separated by a vertical ruled line. Lead finish/Ball material values may wrap to two lines if the finish value exceeds the maximum column width.

**Important Information and Disclaimer:**The information provided on this page represents TI's knowledge and belief as of the date that it is provided. TI bases its knowledge and belief on information provided by third parties, and makes no representation or warranty as to the accuracy of such information. Efforts are underway to better integrate information from third parties. TI has taken and continues to take reasonable steps to provide representative and accurate information but may not have conducted destructive testing or chemical analysis on incoming materials and chemicals. TI and TI suppliers consider certain information to be proprietary, and thus CAS numbers and other limited information may not be available for release.

In no event shall TI's liability arising out of such information exceed the total purchase price of the TI part(s) at issue in this document sold by TI to Customer on an annual basis.

**OTHER QUALIFIED VERSIONS OF SN54LS240, SN54LS240-SP, SN54LS241, SN54LS244, SN54LS244-SP, SN54S240, SN54S241, SN54S244, SN74LS240, SN74LS241, SN74LS244, SN74S240, SN74S241, SN74S244 :**



- Catalog : [SN74LS240](#), [SN54LS240](#), [SN74LS241](#), [SN74LS244](#), [SN54LS244](#), [SN74S240](#), [SN74S241](#), [SN74S244](#)
- Military : [SN54LS240](#), [SN54LS241](#), [SN54LS244](#), [SN54S240](#), [SN54S241](#), [SN54S244](#)
- Space : [SN54LS240-SP](#), [SN54LS244-SP](#)

NOTE: Qualified Version Definitions:

- Catalog - TI's standard catalog product
- Military - QML certified for Military and Defense Applications
- Space - Radiation tolerant, ceramic packaging and qualified for use in Space-based application

**TAPE AND REEL INFORMATION**

**QUADRANT ASSIGNMENTS FOR PIN 1 ORIENTATION IN TAPE**

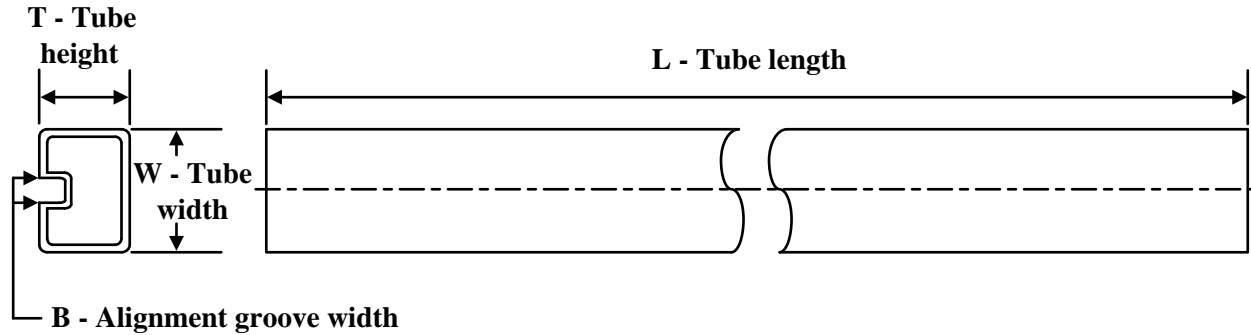

\*All dimensions are nominal

Device	Package Type	Package Drawing	Pins	SPQ	Reel Diameter (mm)	Reel Width W1 (mm)	A0 (mm)	B0 (mm)	K0 (mm)	P1 (mm)	W (mm)	Pin1 Quadrant
SN74LS240DBR	SSOP	DB	20	2000	330.0	16.4	8.2	7.5	2.5	12.0	16.0	Q1
SN74LS240DWR	SOIC	DW	20	2000	330.0	24.4	10.8	13.3	2.7	12.0	24.0	Q1
SN74LS240NSR	SO	NS	20	2000	330.0	24.4	8.4	13.0	2.5	12.0	24.0	Q1
SN74LS241DWR	SOIC	DW	20	2000	330.0	24.4	10.8	13.3	2.7	12.0	24.0	Q1
SN74LS241NSR	SO	NS	20	2000	330.0	24.4	8.4	13.0	2.5	12.0	24.0	Q1
SN74LS244DBR	SSOP	DB	20	2000	330.0	16.4	8.2	7.5	2.5	12.0	16.0	Q1
SN74LS244DWR	SOIC	DW	20	2000	330.0	24.4	10.8	13.3	2.7	12.0	24.0	Q1
SN74LS244NSR	SO	NS	20	2000	330.0	24.4	8.4	13.0	2.5	12.0	24.0	Q1
SN74S244DWR	SOIC	DW	20	2000	330.0	24.4	10.8	13.3	2.7	12.0	24.0	Q1

**TAPE AND REEL BOX DIMENSIONS**


\*All dimensions are nominal

Device	Package Type	Package Drawing	Pins	SPQ	Length (mm)	Width (mm)	Height (mm)
SN74LS240DBR	SSOP	DB	20	2000	356.0	356.0	35.0
SN74LS240DWR	SOIC	DW	20	2000	367.0	367.0	45.0
SN74LS240NSR	SO	NS	20	2000	367.0	367.0	45.0
SN74LS241DWR	SOIC	DW	20	2000	367.0	367.0	45.0
SN74LS241NSR	SO	NS	20	2000	367.0	367.0	45.0
SN74LS244DBR	SSOP	DB	20	2000	356.0	356.0	35.0
SN74LS244DWR	SOIC	DW	20	2000	367.0	367.0	45.0
SN74LS244NSR	SO	NS	20	2000	367.0	367.0	45.0
SN74S244DWR	SOIC	DW	20	2000	367.0	367.0	45.0

**TUBE**


\*All dimensions are nominal

Device	Package Name	Package Type	Pins	SPQ	L (mm)	W (mm)	T (µm)	B (mm)
5962-7801201VSA	W	CFP	20	25	506.98	26.16	6220	NA
7705701SA	W	CFP	20	25	506.98	26.16	6220	NA
78012012A	FK	LCCC	20	55	506.98	12.06	2030	NA
7801201SA	W	CFP	20	25	506.98	26.16	6220	NA
JM38510/32401B2A	FK	LCCC	20	55	506.98	12.06	2030	NA
JM38510/32401BSA	W	CFP	20	25	506.98	26.16	6220	NA
JM38510/32402B2A	FK	LCCC	20	55	506.98	12.06	2030	NA
JM38510/32402BSA	W	CFP	20	25	506.98	26.16	6220	NA
JM38510/32403B2A	FK	LCCC	20	55	506.98	12.06	2030	NA
JM38510/32403BSA	W	CFP	20	25	506.98	26.16	6220	NA
JM38510/32403SSA	W	CFP	20	25	506.98	26.16	6220	NA
M38510/32401B2A	FK	LCCC	20	55	506.98	12.06	2030	NA
M38510/32401BSA	W	CFP	20	25	506.98	26.16	6220	NA
M38510/32402B2A	FK	LCCC	20	55	506.98	12.06	2030	NA
M38510/32402BSA	W	CFP	20	25	506.98	26.16	6220	NA
M38510/32403B2A	FK	LCCC	20	55	506.98	12.06	2030	NA
M38510/32403BSA	W	CFP	20	25	506.98	26.16	6220	NA
M38510/32403SSA	W	CFP	20	25	506.98	26.16	6220	NA
SN74LS240N	N	PDIP	20	20	506	13.97	11230	4.32
SN74LS240NE4	N	PDIP	20	20	506	13.97	11230	4.32
SN74LS241N	N	PDIP	20	20	506	13.97	11230	4.32
SN74LS244N	N	PDIP	20	20	506	13.97	11230	4.32
SN74LS244NE4	N	PDIP	20	20	506	13.97	11230	4.32
SN74S240DW	DW	SOIC	20	25	507	12.83	5080	6.6
SN74S240N	N	PDIP	20	20	506	13.97	11230	4.32
SN74S240NE4	N	PDIP	20	20	506	13.97	11230	4.32
SN74S241DW	DW	SOIC	20	25	507	12.83	5080	6.6
SN74S241N	N	PDIP	20	20	506	13.97	11230	4.32
SN74S244N	N	PDIP	20	20	506	13.97	11230	4.32

Device	Package Name	Package Type	Pins	SPQ	L (mm)	W (mm)	T (μm)	B (mm)
SNJ54LS240FK	FK	LCCC	20	55	506.98	12.06	2030	NA
SNJ54LS240W	W	CFP	20	25	506.98	26.16	6220	NA
SNJ54LS241FK	FK	LCCC	20	55	506.98	12.06	2030	NA
SNJ54LS241W	W	CFP	20	25	506.98	26.16	6220	NA
SNJ54LS244FK	FK	LCCC	20	55	506.98	12.06	2030	NA
SNJ54LS244W	W	CFP	20	25	506.98	26.16	6220	NA
SNJ54S240FK	FK	LCCC	20	55	506.98	12.06	2030	NA
SNJ54S241FK	FK	LCCC	20	55	506.98	12.06	2030	NA

W (R-GDFP-F20)

CERAMIC DUAL FLATPACK



- NOTES:
- A. All linear dimensions are in inches (millimeters).
  - B. This drawing is subject to change without notice.
  - C. This package can be hermetically sealed with a ceramic lid using glass frit.
  - D. Index point is provided on cap for terminal identification only.
  - E. Falls within Mil-Std 1835 GDFP2-F20

# J (R-GDIP-T\*\*)

14 LEADS SHOWN

# CERAMIC DUAL IN-LINE PACKAGE



DIM \ PINS **	14	16	18	20
A	0.300 (7,62) BSC	0.300 (7,62) BSC	0.300 (7,62) BSC	0.300 (7,62) BSC
B MAX	0.785 (19,94)	.840 (21,34)	0.960 (24,38)	1.060 (26,92)
B MIN	—	—	—	—
C MAX	0.300 (7,62)	0.300 (7,62)	0.310 (7,87)	0.300 (7,62)
C MIN	0.245 (6,22)	0.245 (6,22)	0.220 (5,59)	0.245 (6,22)



4040083/F 03/03

- NOTES:
- All linear dimensions are in inches (millimeters).
  - This drawing is subject to change without notice.
  - This package is hermetically sealed with a ceramic lid using glass frit.
  - Index point is provided on cap for terminal identification only on press ceramic glass frit seal only.
  - Falls within MIL STD 1835 GDIP1-T14, GDIP1-T16, GDIP1-T18 and GDIP1-T20.

N (R-PDIP-T\*\*)

PLASTIC DUAL-IN-LINE PACKAGE

16 PINS SHOWN



4040049/E 12/2002

- NOTES:
- A. All linear dimensions are in inches (millimeters).
  - B. This drawing is subject to change without notice.
  - $\triangle C$  Falls within JEDEC MS-001, except 18 and 20 pin minimum body length (Dim A).
  - $\triangle D$  The 20 pin end lead shoulder width is a vendor option, either half or full width.



# DW0020A



# PACKAGE OUTLINE

## SOIC - 2.65 mm max height

SOIC



4220724/A 05/2016

### NOTES:

1. All linear dimensions are in millimeters. Dimensions in parenthesis are for reference only. Dimensioning and tolerancing per ASME Y14.5M.
2. This drawing is subject to change without notice.
3. This dimension does not include mold flash, protrusions, or gate burrs. Mold flash, protrusions, or gate burrs shall not exceed 0.15 mm per side.
4. This dimension does not include interlead flash. Interlead flash shall not exceed 0.43 mm per side.
5. Reference JEDEC registration MS-013.

# EXAMPLE BOARD LAYOUT

DW0020A

SOIC - 2.65 mm max height

SOIC



LAND PATTERN EXAMPLE  
SCALE:6X



SOLDER MASK DETAILS

4220724/A 05/2016

NOTES: (continued)

- 6. Publication IPC-7351 may have alternate designs.
- 7. Solder mask tolerances between and around signal pads can vary based on board fabrication site.

# EXAMPLE STENCIL DESIGN

DW0020A

SOIC - 2.65 mm max height

SOIC



SOLDER PASTE EXAMPLE  
BASED ON 0.125 mm THICK STENCIL  
SCALE:6X

4220724/A 05/2016

NOTES: (continued)

8. Laser cutting apertures with trapezoidal walls and rounded corners may offer better paste release. IPC-7525 may have alternate design recommendations.
9. Board assembly site may have different recommendations for stencil design.

# DB0020A



# PACKAGE OUTLINE

## SSOP - 2 mm max height

SMALL OUTLINE PACKAGE



4214851/B 08/2019

### NOTES:

1. All linear dimensions are in millimeters. Any dimensions in parenthesis are for reference only. Dimensioning and tolerancing per ASME Y14.5M.
2. This drawing is subject to change without notice.
3. This dimension does not include mold flash, protrusions, or gate burrs. Mold flash, protrusions, or gate burrs shall not exceed 0.15 mm per side.
4. This dimension does not include interlead flash. Interlead flash shall not exceed 0.25 mm per side.
5. Reference JEDEC registration MO-150.

# EXAMPLE BOARD LAYOUT

DB0020A

SSOP - 2 mm max height

SMALL OUTLINE PACKAGE



LAND PATTERN EXAMPLE  
EXPOSED METAL SHOWN  
SCALE: 10X



4214851/B 08/2019

NOTES: (continued)

- 6. Publication IPC-7351 may have alternate designs.
- 7. Solder mask tolerances between and around signal pads can vary based on board fabrication site.

# EXAMPLE STENCIL DESIGN

DB0020A

SSOP - 2 mm max height

SMALL OUTLINE PACKAGE



SOLDER PASTE EXAMPLE  
BASED ON 0.125 mm THICK STENCIL  
SCALE: 10X

4214851/B 08/2019

NOTES: (continued)

8. Laser cutting apertures with trapezoidal walls and rounded corners may offer better paste release. IPC-7525 may have alternate design recommendations.
9. Board assembly site may have different recommendations for stencil design.

# MECHANICAL DATA

NS (R-PDSO-G\*\*)

PLASTIC SMALL-OUTLINE PACKAGE

14-PINS SHOWN



- NOTES:
- A. All linear dimensions are in millimeters.
  - B. This drawing is subject to change without notice.
  - C. Body dimensions do not include mold flash or protrusion, not to exceed 0,15.

## GENERIC PACKAGE VIEW

**FK 20**

**LCCC - 2.03 mm max height**

8.89 x 8.89, 1.27 mm pitch

LEADLESS CERAMIC CHIP CARRIER

This image is a representation of the package family, actual package may vary.  
Refer to the product data sheet for package details.



4229370VA\



## IMPORTANT NOTICE AND DISCLAIMER

TI PROVIDES TECHNICAL AND RELIABILITY DATA (INCLUDING DATA SHEETS), DESIGN RESOURCES (INCLUDING REFERENCE DESIGNS), APPLICATION OR OTHER DESIGN ADVICE, WEB TOOLS, SAFETY INFORMATION, AND OTHER RESOURCES "AS IS" AND WITH ALL FAULTS, AND DISCLAIMS ALL WARRANTIES, EXPRESS AND IMPLIED, INCLUDING WITHOUT LIMITATION ANY IMPLIED WARRANTIES OF MERCHANTABILITY, FITNESS FOR A PARTICULAR PURPOSE OR NON-INFRINGEMENT OF THIRD PARTY INTELLECTUAL PROPERTY RIGHTS.

These resources are intended for skilled developers designing with TI products. You are solely responsible for (1) selecting the appropriate TI products for your application, (2) designing, validating and testing your application, and (3) ensuring your application meets applicable standards, and any other safety, security, regulatory or other requirements.

These resources are subject to change without notice. TI grants you permission to use these resources only for development of an application that uses the TI products described in the resource. Other reproduction and display of these resources is prohibited. No license is granted to any other TI intellectual property right or to any third party intellectual property right. TI disclaims responsibility for, and you will fully indemnify TI and its representatives against, any claims, damages, costs, losses, and liabilities arising out of your use of these resources.

TI's products are provided subject to [TI's Terms of Sale](#) or other applicable terms available either on [ti.com](https://www.ti.com) or provided in conjunction with such TI products. TI's provision of these resources does not expand or otherwise alter TI's applicable warranties or warranty disclaimers for TI products.

TI objects to and rejects any additional or different terms you may have proposed.

Mailing Address: Texas Instruments, Post Office Box 655303, Dallas, Texas 75265  
Copyright © 2024, Texas Instruments Incorporated