

# BQ27520-G4 システム側 Impedance Track™ バッテリ残量計、LDO 内蔵

## 1 特長

- システム基板上に、シングル直列セルのリチウムイオン・バッテリー残量計を搭載
  - 2.5VDC の統合型 LDO
  - 外付けの低抵抗値 10mΩ の センス抵抗
- 特許申請中の Impedance Track™ テクノロジー
  - バッテリーの経年変化、自己放電、温度、レートの変化に応じた調整
  - 残量、充電状態 (SOC)、空になるまでの時間を報告
  - オプションのスムージングフィルタ
  - バッテリーの健全性状態 (経年変化) の推定
  - 最大容量 14500mAh の組込みパックまたは着脱可能なパックをサポート
  - 2 つの独立したバッテリー・プロファイルによるパック交換に対応
- マイコン・ペリフェラルのサポート
  - 400kHz I<sup>2</sup>C シリアル・インターフェイス
  - 32 バイトのスクラッチパッド・フラッシュ NVM
  - バッテリー電圧低下のデジタル出力警告
  - 設定可能な SOC 割り込み
  - 外部サーミスタ、内部センサ、またはホストから報告される温度のオプション
- 小型の 15 ピン、2610 × 1956μm、0.5mm ピッチの NanoFree™ (DSBGA) パッケージ

## 2 アプリケーション

- スマートフォン、携帯電話、タブレット
- デジタル・スチル・カメラおよびデジタル・ビデオ・カメラ
- ハンドヘルド端末
- MP3 またはマルチメディア・プレーヤ

## 3 概要

テキサス・インスツルメンツ BQ27520-G4 システム側リチウムイオン・バッテリー残量計は、シングルセル・リチウムイオン・バッテリー・パックの残量計測を行うマイクロコントローラ・ペリフェラルで、最小限のシステム・マイクロコントローラ・ファームウェア開発で動作します。このバッテリー残量計はシステムのメイン・ボードに配置され、取り外し不可の組込みバッテリーまたは着脱可能なバッテリー・パックを管理します。

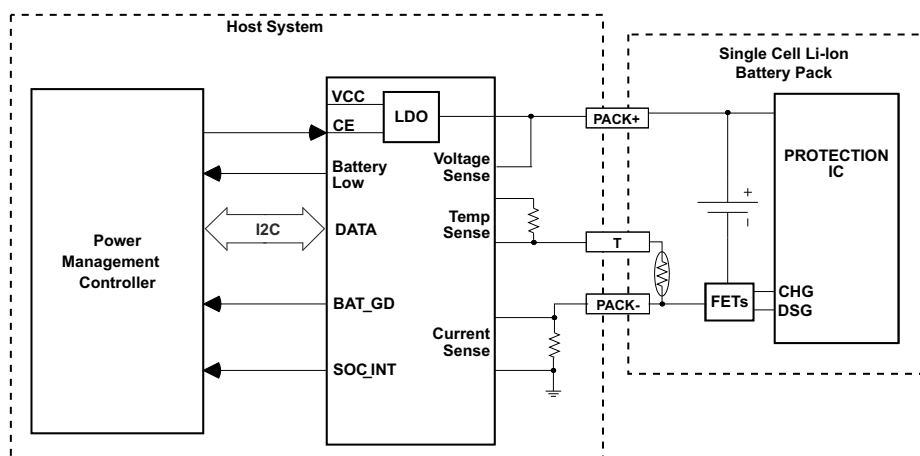
特許取得の Impedance Track™ アルゴリズムを残量計測に使用し、残りのバッテリー容量 (mAh)、充電状態 (%)、残り動作時間 (最小値)、バッテリー電圧 (mV)、温度 (°C)、健全性状態 (%) などの情報を取得します。

バッテリー残量の計測に必要なのは、着脱可能なバッテリー・パックまたは内蔵バッテリー回路への PACK+ (P+)、PACK- (P-)、およびオプションのサーミスタ (T) 接続のみです。公称寸法 2610 × 1956μm、リード・ピッチ 0.5mm の 15 ボール NanoFree™ (DSBGA) パッケージを使用します。このため、スペースに制約のあるアプリケーションに最適です。

### 製品情報

部品番号	パッケージ <sup>(1)</sup>	本体サイズ (公称)
BQ27520-G4	DSBGA (15)	2.610mm × 1.956mm

- (1) 利用可能なすべてのパッケージについては、このデータシートの末尾にある注文情報を参照してください。



代表的なアプリケーションの図



## Table of Contents



<b>1 特長</b> .....	<b>1</b>	<b>8 Detailed Description</b> .....	<b>10</b>
<b>2 アプリケーション</b> .....	<b>1</b>	8.1 Overview.....	10
<b>3 概要</b> .....	<b>1</b>	8.2 Functional Block Diagram.....	11
<b>4 Revision History</b> .....	<b>2</b>	8.3 Feature Description.....	12
<b>5 Device Comparison Table</b> .....	<b>3</b>	8.4 Device Functional Modes.....	12
<b>6 Pin Configuration and Functions</b> .....	<b>3</b>	8.5 Programming.....	17
<b>7 Specifications</b> .....	<b>5</b>	<b>9 Application and Implementation</b> .....	<b>21</b>
7.1 Absolute Maximum Ratings.....	5	9.1 Application Information.....	21
7.2 ESD Ratings.....	5	9.2 Typical Application.....	22
7.3 Recommended Operating Conditions.....	5	<b>10 Power Supply Recommendations</b> .....	<b>26</b>
7.4 Thermal Information.....	5	10.1 Power Supply Decoupling.....	26
7.5 Electrical Characteristics: Supply Current.....	6	<b>11 Layout</b> .....	<b>26</b>
7.6 Digital Input and Output DC Characteristics.....	6	11.1 Layout Guidelines.....	26
7.7 Power-on Reset.....	6	11.2 Layout Example.....	27
7.8 2.5-V LDO Regulator.....	6	<b>12 Device and Documentation Support</b> .....	<b>28</b>
7.9 Internal Clock Oscillators.....	6	12.1 Third-Party Products Disclaimer.....	28
7.10 ADC (Temperature and Cell Measurement) Characteristics.....	7	12.2 Documentation Support.....	28
7.11 Integrating ADC (Coulomb Counter) Characteristics.....	7	12.3 Receiving Notification of Documentation Updates.....	28
7.12 Data Flash Memory Characteristics.....	7	12.4 サポート・リソース.....	28
7.13 I <sup>2</sup> C-Compatible Interface Communication Timing Requirements.....	8	12.5 Trademarks.....	28
7.14 Typical Characteristics.....	9	12.6 Electrostatic Discharge Caution.....	28
		12.7 Glossary.....	28
		<b>13 Mechanical, Packaging, and Orderable Information</b> .....	<b>28</b>

## 4 Revision History

資料番号末尾の英字は改訂を表しています。その改訂履歴は英語版に準じています。

<b>Changes from Revision B (December 2015) to Revision C (November 2021)</b>	<b>Page</b>
• 32Ahr を 14500mAh に更新.....	1
• 最新のテキサス・インスツルメンツ・データシート標準に合わせてデータシートを更新.....	1

---

<b>Changes from Revision A (August 2013) to Revision B (December 2015)</b>	<b>Page</b>
• 32Ahr を 14500mAh に変更.....	1
• Deleted minimum and maximum values for Power-on reset hysteresis.....	6
• Added <i>Device Information</i> table, <i>ESD Ratings</i> table, <i>Feature Description</i> section, <i>Device Functional Modes</i> , <i>Programming</i> section, <i>Application and Implementation</i> section, <i>Power Supply Recommendations</i> section, <i>Device and Documentation Support</i> section, and <i>Mechanical, Packaging, and Orderable Information</i> .....	12
• Changed  8-1.....	13
• Added  8-2.....	13

---

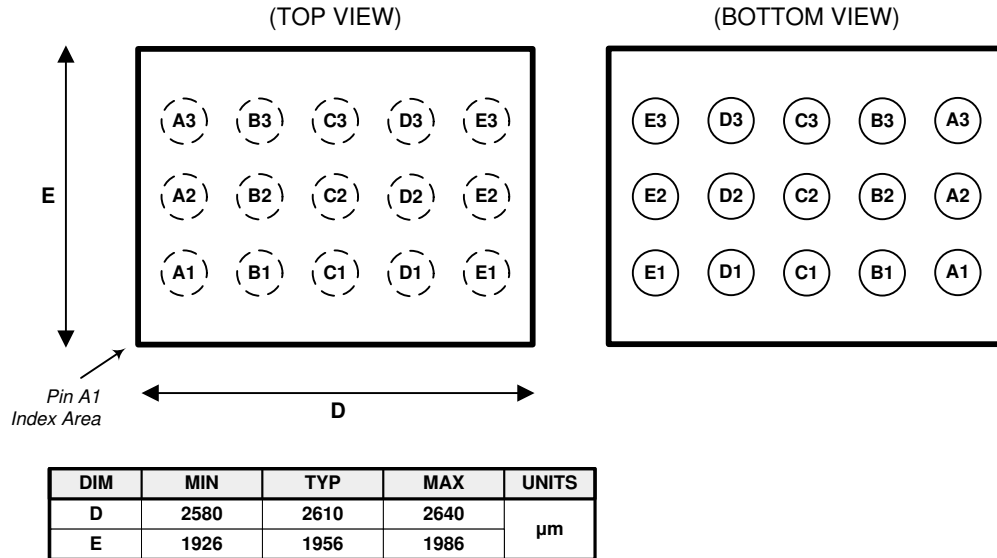
<b>Changes from Revision * (November 2012) to Revision A (August 2013)</b>	<b>Page</b>
• データシート全体を通してパッケージの記述を整合.....	1

## 5 Device Comparison Table

PRODUCTION PART NO. <sup>(2)</sup>	PACKAGE <sup>(1)</sup>	T <sub>A</sub>	COMMUNICATION FORMAT	TAPE AND REEL QUANTITY
BQ27520YZFR-G4	DSBGA-15	-40°C to 85°C	I <sup>2</sup> C <sup>(2)</sup>	3000
BQ27520YZFT-G4				250

- (1) For the most current package and ordering information, see the Package Option Addendum at the end of this document; or, see the TI website at [www.ti.com](http://www.ti.com).  
(2) BQ27520-G4 is shipped in I<sup>2</sup>C mode.

## 6 Pin Configuration and Functions



6-1. YZF Package 15-Pin DSBGA

表 6-1. Pin Functions

PIN		TYPE <sup>1</sup>	DESCRIPTION
NAME	NO.		
BAT	E2	I	Cell-voltage measurement input. ADC input. Recommend 4.8 V maximum for conversion accuracy.
BAT_GD	B2	O	Battery Good push-pull indicator output. Active low and output disabled by default. Polarity is configured via <b>Op Config [BATG_POL]</b> and the output is enabled via <b>OpConfig C [BATGSPUEN]</b> .
BAT_LOW	C3	O	Battery Low push-pull output indicator. Active high and output enabled by default. Polarity is configured via <b>Op Config [BATL_POL]</b> and the output is enabled via <b>OpConfig C [BATLSPUEN]</b> .
BI/TOUT	E3	IO	Battery-insertion detection input. Power pin for pack thermistor network. Thermistor-multiplexer control pin. Use with pullup resistor >1 MΩ (1.8 MΩ, typical).
CE	D2	I	Chip Enable. Internal LDO is disconnected from REGIN when driven low. <b>Note:</b> CE has an internal ESD protection diode connected to REGIN. Recommend maintaining V <sub>CE</sub> ≤ V <sub>REGIN</sub> under all conditions.
REGIN	E1	P	Regulator input. Decouple with 0.1-μF ceramic capacitor to V <sub>SS</sub> .
SCL	A3	I	Slave I <sup>2</sup> C serial communications clock input line for communication with system (Master). Open-drain IO. Use with 10-kΩ pullup resistor (typical).
SDA	B3	IO	Slave I <sup>2</sup> C serial communications data line for communication with system (Master). Open-drain IO. Use with 10-kΩ pullup resistor (typical).
SOC_INT	A2	O	SOC state interrupts output. Generates a pulse under the conditions specified in the <a href="#">BQ27520-G4 Technical Reference Manual</a> . Open drain output.

**表 6-1. Pin Functions (continued)**

PIN		TYPE <sup>1</sup>	DESCRIPTION
NAME	NO.		
SRN	B1	IA	Analog input pin connected to the internal coulomb counter with a Kelvin connection where SRN is nearest the $V_{SS}$ connection. Connect to 5-m $\Omega$ to 20-m $\Omega$ sense resistor.
SRP	A1	IA	Analog input pin connected to the internal coulomb counter with a Kelvin connection where SRP is nearest the PACK– connection. Connect to 5-m $\Omega$ to 20-m $\Omega$ sense resistor.
TS	D3	IA	Pack thermistor voltage sense (use 103AT-type thermistor). ADC input
$V_{CC}$	D1	P	Regulator output and BQ27520-G4 processor power. Decouple with 1- $\mu$ F ceramic capacitor to $V_{SS}$ .
$V_{SS}$	C1, C2	P	Device ground

1. IO = Digital input-output, IA = Analog input, P = Power connection

## 7 Specifications

### 7.1 Absolute Maximum Ratings

over operating free-air temperature range (unless otherwise noted)

		MIN	MAX	UNIT
V <sub>REGIN</sub>	Regulator input	-0.3	5.5	V
		-0.3	6.0 <sup>(1)</sup>	V
V <sub>CE</sub>	CE input pin	-0.3	V <sub>REGIN</sub> + 0.3	V
V <sub>CC</sub>	Supply voltage	-0.3	2.75	V
V <sub>IOD</sub>	Open-drain I/O pins (SDA, SCL, SOC_INT)	-0.3	5.5	V
V <sub>BAT</sub>	BAT input pin	-0.3	5.5	V
		-0.3	6.0 <sup>(1)</sup>	V
V <sub>I</sub>	Input voltage to all other pins (BI/TOUT, TS, SRP, SRN, BAT_LOW, BAT_GD)	-0.3	V <sub>CC</sub> + 0.3	V
T <sub>A</sub>	Operating free-air temperature	-40	85	°C
T <sub>stg</sub>	Storage temperature	-65	150	°C

(1) Condition not to exceed 100 hours at 25°C lifetime.

### 7.2 ESD Ratings

			VALUE	UNIT
V <sub>ESD</sub>	Electrostatic discharge	Human-body model (HBM) <sup>(1)</sup>	All pins except E2	2000
			Pin E2	1500
				V

(1) JEDEC document JEP155 states that 500-V HBM allows safe manufacturing with a standard ESD control process.

### 7.3 Recommended Operating Conditions

T<sub>A</sub> = -40°C to 85°C, V<sub>REGIN</sub> = V<sub>BAT</sub> = 3.6 V (unless otherwise noted)

		MIN	NOM	MAX	UNIT
V <sub>REGIN</sub>	Supply voltage	No operating restrictions	2.8	4.5	V
		No flash writes	2.45	2.8	
C <sub>REGIN</sub>	External input capacitor for internal LDO between REGIN and V <sub>SS</sub>	Nominal capacitor values specified. Recommend a 5% ceramic X5R-type capacitor located close to the device.		0.1	μF
C <sub>LDO25</sub>	External output capacitor for internal LDO between V <sub>CC</sub> and V <sub>SS</sub>	0.47	1		μF
t <sub>PUCD</sub>	Power-up communication delay		250		ms

### 7.4 Thermal Information

over operating free-air temperature (unless otherwise noted)

THERMAL METRIC <sup>(1)</sup>		BQ27520-G4	UNIT
		YZF (DSBGA)	
		15 PINS	
R <sub>θJA</sub>	Junction-to-ambient thermal resistance	70	°C/W
R <sub>θJC(top)</sub>	Junction-to-case (top) thermal resistance	17	°C/W
R <sub>θJB</sub>	Junction-to-board thermal resistance	20	°C/W
ψ <sub>JT</sub>	Junction-to-top characterization parameter	1	°C/W
ψ <sub>JB</sub>	Junction-to-board characterization parameter	18	°C/W
R <sub>θJC(bot)</sub>	Junction-to-case (bottom) thermal resistance	NA	°C/W

(1) For more information about traditional and new thermal metrics, see the *Semiconductor and IC Package Thermal Metrics* application report, [SPRA953](#).

## 7.5 Electrical Characteristics: Supply Current

$T_A = 25^\circ\text{C}$  and  $V_{\text{REGIN}} = V_{\text{BAT}} = 3.6\text{ V}$  (unless otherwise noted)

PARAMETER		TEST CONDITIONS	MIN	TYP	MAX	UNIT
$I_{\text{CC}}$ <sup>(1)</sup>	Normal operating mode current	Fuel gauge in NORMAL mode $I_{\text{LOAD}} > \textit{Sleep current}$		118		$\mu\text{A}$
$I_{\text{SLP+}}$ <sup>(1)</sup>	Snooze operating mode current	Fuel gauge in SNOOZE mode $I_{\text{LOAD}} < \textit{Sleep current}$		62		$\mu\text{A}$
$I_{\text{SLP}}$ <sup>(1)</sup>	Low-power storage mode current	Fuel gauge in SLEEP mode $I_{\text{LOAD}} < \textit{Sleep current}$		23		$\mu\text{A}$
$I_{\text{HIB}}$ <sup>(1)</sup>	Hibernate operating mode current	Fuel gauge in HIBERNATE mode $I_{\text{LOAD}} < \textit{Hibernate current}$		8		$\mu\text{A}$

(1) Specified by design. Not production tested.

## 7.6 Digital Input and Output DC Characteristics

$T_A = -40^\circ\text{C}$  to  $85^\circ\text{C}$ , typical values at  $T_A = 25^\circ\text{C}$  and  $V_{\text{REGIN}} = 3.6\text{ V}$  (unless otherwise noted)

PARAMETER		TEST CONDITIONS	MIN	TYP	MAX	UNIT
$V_{\text{OL}}$	Output voltage, low (SCL, SDA, SOC_INT, BAT_LOW, BAT_GD)	$I_{\text{OL}} = 3\text{ mA}$			0.4	V
$V_{\text{OH(PP)}}$	Output voltage, high (BAT_LOW, BAT_GD)	$I_{\text{OH}} = -1\text{ mA}$	$V_{\text{CC}} - 0.5$			V
$V_{\text{OH(OD)}}$	Output voltage, high (SDA, SCL, SOC_INT)	External pullup resistor connected to $V_{\text{CC}}$	$V_{\text{CC}} - 0.5$			V
$V_{\text{IL}}$	Input voltage, low (SDA, SCL)		-0.3		0.6	V
	Input voltage, low (BI/TOUT)	BAT INSERT CHECK mode active	-0.3		0.6	V
$V_{\text{IH}}$	Input voltage, high (SDA, SCL)		1.2			V
	Input voltage, high (BI/TOUT)	BAT INSERT CHECK mode active	1.2	$V_{\text{CC}} + 0.3$		V
$V_{\text{IL(CE)}}$	Input voltage, low (CE)	$V_{\text{REGIN}} = 2.8\text{ to }4.5\text{ V}$			0.8	V
$V_{\text{IH(CE)}}$	Input voltage, high (CE)		2.65			V
$I_{\text{Ikg}}$ <sup>(1)</sup>	Input leakage current (IO pins)				0.3	$\mu\text{A}$

(1) Specified by design. Not production tested.

## 7.7 Power-on Reset

$T_A = -40^\circ\text{C}$  to  $85^\circ\text{C}$ , typical values at  $T_A = 25^\circ\text{C}$  and  $V_{\text{REGIN}} = 3.6\text{ V}$  (unless otherwise noted)

PARAMETER		MIN	TYP	MAX	UNIT
$V_{\text{IT+}}$	Positive-going battery voltage input at $V_{\text{CC}}$	2.05	2.15	2.20	V
$V_{\text{HYS}}$	Power-on reset hysteresis		115		mV

### 7.8 2.5-V LDO Regulator

$T_A = -40^\circ\text{C}$  to  $85^\circ\text{C}$ ,  $C_{\text{LDO25}} = 1\ \mu\text{F}$ ,  $V_{\text{REGIN}} = 3.6\text{ V}$  (unless otherwise noted)

PARAMETER		TEST CONDITIONS	MIN	TYP	MAX	UNIT
$V_{\text{REG25}}$	Regulator output voltage ( $V_{\text{CC}}$ )	$2.8\text{ V} \leq V_{\text{REGIN}} \leq 4.5\text{ V}$ , $I_{\text{OUT}} \leq 16\text{ mA}$ <sup>(1)</sup>	2.3	2.5	2.6	V
		$2.45\text{ V} \leq V_{\text{REGIN}} < 2.8\text{ V}$ (low battery), $I_{\text{OUT}} \leq 3\text{ mA}$	2.3			V

(1) LDO output current,  $I_{\text{OUT}}$ , is the total load current. LDO regulator should be used to power internal fuel gauge only.

## 7.9 Internal Clock Oscillators

$T_A = -40^\circ\text{C}$  to  $85^\circ\text{C}$ ,  $2.4\text{ V} < V_{\text{CC}} < 2.6\text{ V}$ ; typical values at  $T_A = 25^\circ\text{C}$  and  $V_{\text{CC}} = 2.5\text{ V}$  (unless otherwise noted)

PARAMETER		MIN	TYP	MAX	UNIT
$f_{\text{OSC}}$	High frequency oscillator		8.389		MHz

## 7.9 Internal Clock Oscillators (continued)

$T_A = -40^{\circ}\text{C}$  to  $85^{\circ}\text{C}$ ,  $2.4\text{ V} < V_{CC} < 2.6\text{ V}$ ; typical values at  $T_A = 25^{\circ}\text{C}$  and  $V_{CC} = 2.5\text{ V}$  (unless otherwise noted)

PARAMETER		MIN	TYP	MAX	UNIT
$f_{\text{LOSC}}$	Low frequency oscillator		32.768		kHz

## 7.10 ADC (Temperature and Cell Measurement) Characteristics

$T_A = -40^{\circ}\text{C}$  to  $85^{\circ}\text{C}$ ,  $2.4\text{ V} < V_{CC} < 2.6\text{ V}$ ; typical values at  $T_A = 25^{\circ}\text{C}$  and  $V_{CC} = 2.5\text{ V}$  (unless otherwise noted)

PARAMETER		TEST CONDITIONS	MIN	TYP	MAX	UNIT
$V_{\text{ADC1}}$	Input voltage range (TS)		$V_{\text{SS}} - 0.125$		2	V
$V_{\text{ADC2}}$	Input voltage range (BAT)		$V_{\text{SS}} - 0.125$		5	V
$V_{\text{IN(ADC)}}$	Input voltage range		0.05		1	V
$G_{\text{TEMP}}$	Internal temperature sensor voltage gain			-2		mV/ $^{\circ}\text{C}$
$t_{\text{ADC\_CONV}}$	Conversion time				125	ms
	Resolution		14		15	bits
$V_{\text{OS(ADC)}}$	Input offset			1		mV
$Z_{\text{ADC1}}$ <sup>(1)</sup>	Effective input resistance (TS)		8			M $\Omega$
$Z_{\text{ADC2}}$ <sup>(1)</sup>	Effective input resistance (BAT)	Device not measuring cell voltage	8			M $\Omega$
		Device measuring cell voltage		100		k $\Omega$
$I_{\text{kg(ADC)}}$ <sup>(1)</sup>	Input leakage current				0.3	$\mu\text{A}$

(1) Specified by design. Not tested in production.

## 7.11 Integrating ADC (Coulomb Counter) Characteristics

$T_A = -40^{\circ}\text{C}$  to  $85^{\circ}\text{C}$ ,  $2.4\text{ V} < V_{CC} < 2.6\text{ V}$ ; typical values at  $T_A = 25^{\circ}\text{C}$  and  $V_{CC} = 2.5\text{ V}$  (unless otherwise noted)

PARAMETER		TEST CONDITIONS	MIN	TYP	MAX	UNIT
$V_{\text{SR}}$	Input voltage range, $V_{\text{(SRP)}}$ and $V_{\text{(SRN)}}$	$V_{\text{SR}} = V_{\text{(SRP)}} - V_{\text{(SRN)}}$	-0.125		0.125	V
$t_{\text{SR\_CONV}}$	Conversion time	Single conversion		1		s
	Resolution		14		15	bits
$V_{\text{OS(SR)}}$	Input offset			10		$\mu\text{V}$
INL	Integral nonlinearity error			$\pm 0.007$	$\pm 0.034$	% FSR
$Z_{\text{IN(SR)}}$ <sup>(1)</sup>	Effective input resistance		2.5			M $\Omega$
$I_{\text{kg(SR)}}$ <sup>(1)</sup>	Input leakage current				0.3	$\mu\text{A}$

(1) Specified by design. Not tested in production.

## 7.12 Data Flash Memory Characteristics

$T_A = -40^{\circ}\text{C}$  to  $85^{\circ}\text{C}$ ,  $2.4\text{ V} < V_{CC} < 2.6\text{ V}$ ; typical values at  $T_A = 25^{\circ}\text{C}$  and  $V_{CC} = 2.5\text{ V}$  (unless otherwise noted)

PARAMETER		MIN	TYP	MAX	UNIT
$t_{\text{DR}}$ <sup>(1)</sup>	Data retention	10			Years
	Flash-programming write cycles <sup>(1)</sup>	20,000			Cycles
$t_{\text{WORDPROG}}$ <sup>(1)</sup>	Word programming time			2	ms
$I_{\text{CCPROG}}$ <sup>(1)</sup>	Flash-write supply current		5	10	mA
$t_{\text{DFERASE}}$ <sup>(1)</sup>	Data flash master erase time	200			ms
$t_{\text{IFERASE}}$ <sup>(1)</sup>	Instruction flash master erase time	200			ms
$t_{\text{PGERASE}}$ <sup>(1)</sup>	Flash page erase time	20			ms

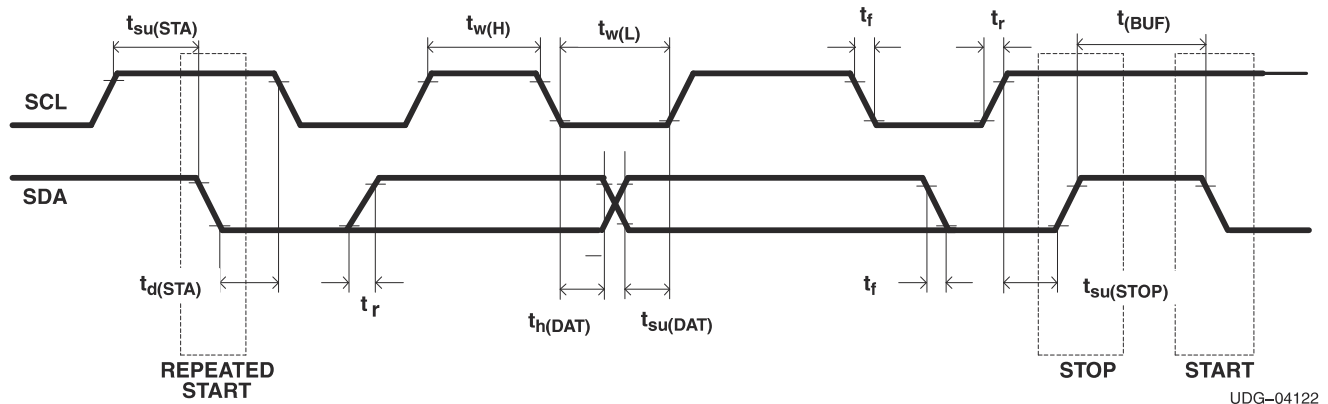
(1) Specified by design. Not production tested

### 7.13 I<sup>2</sup>C-Compatible Interface Communication Timing Requirements

T<sub>A</sub> = -40°C to 85°C, 2.4 V < V<sub>CC</sub> < 2.6 V; typical values at T<sub>A</sub> = 25°C and V<sub>CC</sub> = 2.5 V (unless otherwise noted)

		MIN	NOM	MAX	UNIT
t <sub>r</sub>	SCL or SDA rise time			300	ns
t <sub>f</sub>	SCL or SDA fall time			300	ns
t <sub>w(H)</sub>	SCL pulse duration (high)	600			ns
t <sub>w(L)</sub>	SCL pulse duration (low)	1.3			μs
t <sub>su(STA)</sub>	Setup for repeated start	600			ns
t <sub>d(STA)</sub>	Start to first falling edge of SCL	600			ns
t <sub>su(DAT)</sub>	Data setup time	100			ns
t <sub>h(DAT)</sub>	Data hold time	0			ns
t <sub>su(STOP)</sub>	Setup time for stop	600			ns
t <sub>(BUF)</sub>	Bus free time between stop and start	66			μs
f <sub>SCL</sub>	Clock frequency <sup>(1)</sup>			400	kHz

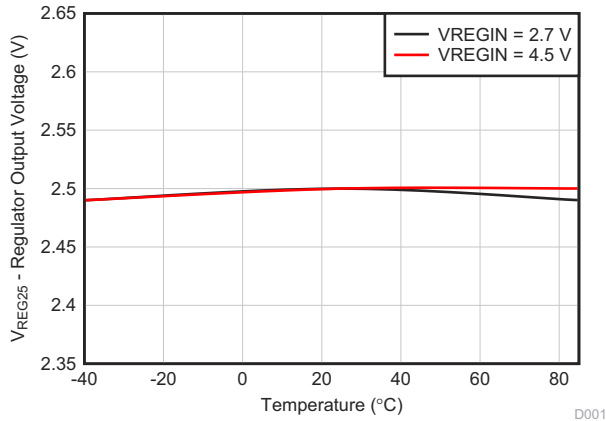
(1) If the clock frequency (f<sub>SCL</sub>) is > 100 kHz, use 1-byte write commands for proper operation. All other transactions types are supported at 400 kHz. (See [セクション 8.5.3.1](#) and [セクション 8.5.3.3](#)).



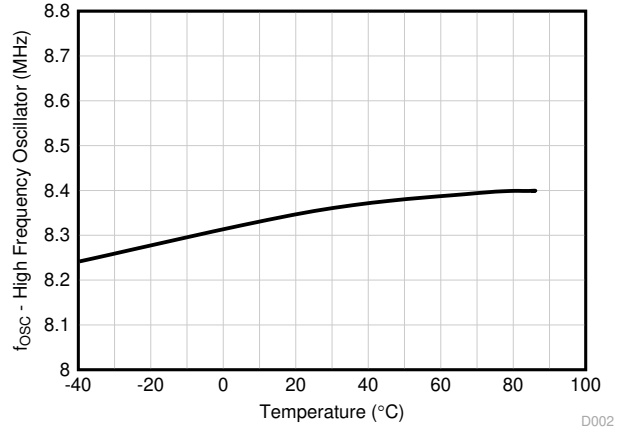
**7-1. I<sup>2</sup>C-Compatible Interface Timing Diagrams**



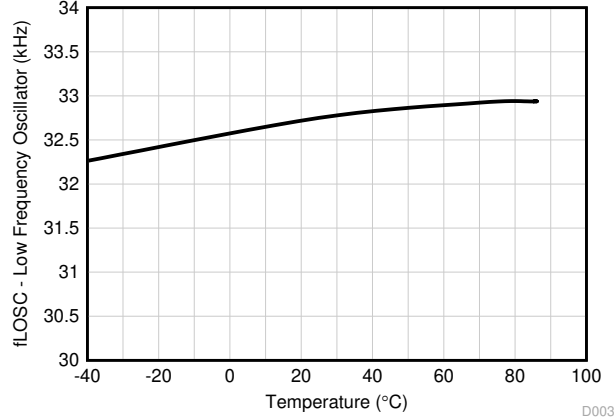
## 7.14 Typical Characteristics



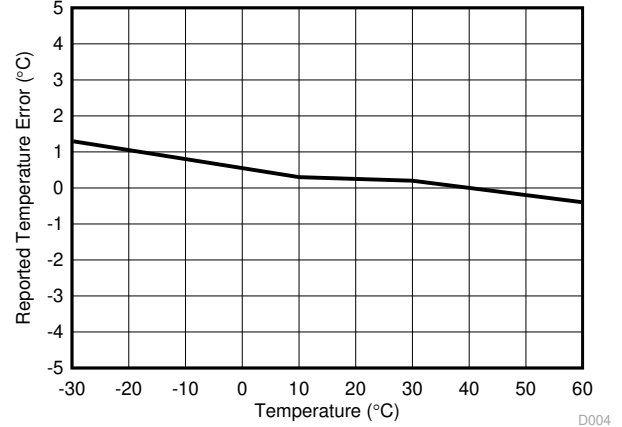
**7-2. Regulator Output Voltage vs. Temperature**



**7-3. High-Frequency Oscillator Frequency vs. Temperature**



**7-4. Low-Frequency Oscillator Frequency vs. Temperature**



**7-5. Reported Internal Temperature Measurement vs. Temperature**

## 8 Detailed Description

### 8.1 Overview

The BQ27520-G4 fuel gauge accurately predicts the battery capacity and other operational characteristics of a single Li-based rechargeable cell. It can be interrogated by a system processor to provide cell information, such as time-to-empty (TTE), state-of-charge (SOC), and SOC interrupt signal to the host.

Information is accessed through a series of commands, called *Standard Commands*. Further capabilities are provided by the additional *Extended Commands* set. Both sets of commands, indicated by the general format *Command()*, are used to read and write information contained within the device control and status registers, as well as its data flash locations. Commands are sent from system to gauge using the I<sup>2</sup>C serial communications engine, and can be executed during application development, system manufacture, or end-equipment operation.

Cell information is stored in the device in non-volatile flash memory. Many of these data flash locations are accessible during application development. They cannot generally be accessed directly during end-equipment operation. Access to these locations is achieved by either use of the companion evaluation software, through individual commands, or through a sequence of data-flash-access commands. To access a desired data flash location, the correct data flash subclass and offset must be known.

The key to the high-accuracy gas gauging prediction is Texas Instruments proprietary Impedance Track™ algorithm. This algorithm uses cell measurements, characteristics, and properties to create state-of-charge predictions that can achieve less than 1% error across a wide variety of operating conditions and over the lifetime of the battery.

The fuel gauge measures charge and discharge activity by monitoring the voltage across a small-value series sense resistor (5 mΩ to 20 mΩ, typical) located between the system V<sub>SS</sub> and the battery PACK– terminal. When a cell is attached to the device, cell impedance is learned based on cell current, cell open-circuit voltage (OCV), and cell voltage under loading conditions.

The external temperature sensing is optimized with the use of a high-accuracy negative temperature coefficient (NTC) thermistor with R<sub>25</sub> = 10.0 kΩ ±1%. B<sub>25/85</sub> = 3435K ± 1% (such as Semitec NTC 103AT). Alternatively, the fuel gauge can also be configured to use its internal temperature sensor or receive temperature data from the host processor. When an external thermistor is used, a 18.2-kΩ pullup resistor between the BI/TOUT and TS pins is also required. The fuel gauge uses temperature to monitor the battery-pack environment, which is used for fuel gauging and cell protection functionality.

To minimize power consumption, the device has different power modes: NORMAL, SNOOZE, SLEEP, HIBERNATE, and BAT INSERT CHECK. The fuel gauge automatically changes modes depending upon the occurrence of specific events, though a system processor can initiate some of these modes directly.

For complete operational details, see the [BQ27520-G4 Technical Reference Manual \(SLUUA35\)](#).

---

#### Note

**The following formatting conventions are used in this document:**

**Commands:** *italics* with parentheses( ) and no breaking spaces, for example, *Control()*.

**Data Flash:** *italics*, **bold**, and breaking spaces, for example, ***Design Capacity***.

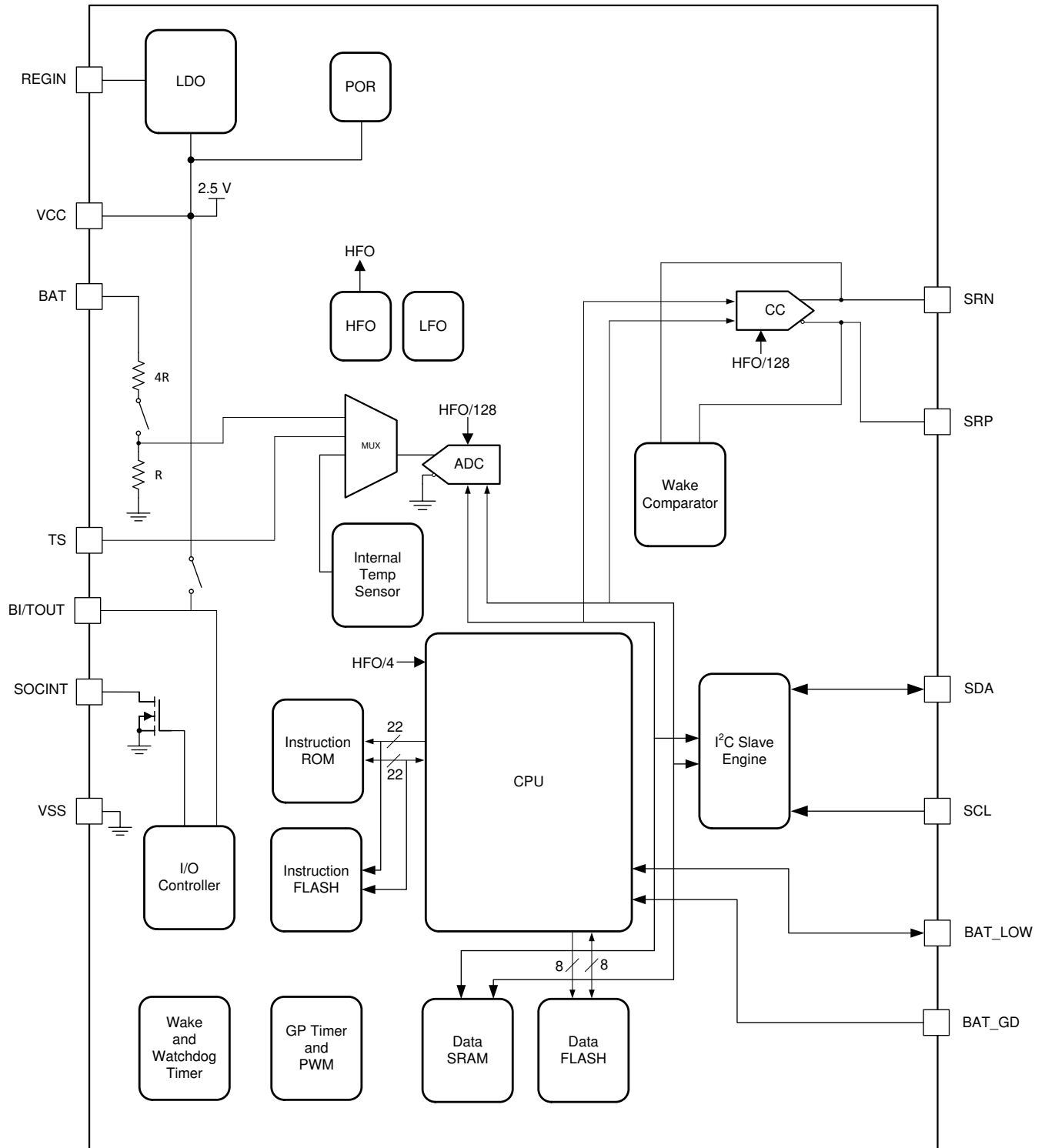
**Register bits and flags:** *italics* with brackets [ ], for example, *[TDA]*

**Data flash bits:** *italics*, **bold**, and brackets [ ], for example, ***[LED1]***

**Modes and states:** ALL CAPITALS, for example, UNSEALED mode.

---

## 8.2 Functional Block Diagram



## 8.3 Feature Description

The BQ27520-G4 measures the voltage, temperature, and current to determine battery capacity and state-of-charge (SOC) based on the patented Impedance Track™ algorithm (refer to the [Theory and Implementation of Impedance Track Battery Fuel-Gauging Algorithm Application Report \[SLUA450\]](#) for more information). The BQ27520-G4 monitors charge and discharge activity by sensing the voltage across a small-value resistor (5 mΩ to 20 mΩ typical) between the SRP and SRN pins and in series with the battery. By integrating charge passing through the battery, the battery's SOC is adjusted during battery charge or discharge. Battery capacity is found by comparing states of charge before and after applying the load with the amount of charge passed. When a system load is applied, the impedance of the battery is measured by comparing the open circuit voltage (OCV) obtained from a predefined function for present SOC with the measured voltage under load. Measurements of OCV and charge integration determine chemical state-of-charge and chemical capacity (Qmax). The initial Qmax values are taken from a cell manufacturers' data sheet multiplied by the number of parallel cells. It is also used for the value in **Design Capacity**. The BQ27520-G4 acquires and updates the battery-impedance profile during normal battery usage. It uses this profile, along with SOC and the Qmax value, to determine *FullChargeCapacity()* and *StateOfCharge()*, specifically for the present load and temperature. *FullChargeCapacity()* is reported as capacity available from a fully charged battery under the present load and temperature until *Voltage()* reaches the **Terminate Voltage**. *NominalAvailableCapacity()* and *FullAvailableCapacity()* are the uncompensated (no or light load) versions of *RemainingCapacity()* and *FullChargeCapacity()*, respectively. The BQ27520-G4 has two *Flags()* bits and two pins to warn the host if the battery's SOC has fallen to critical levels. If *RemainingCapacity()* falls below the first capacity threshold specified by **SOC1 Set Threshold**, the *Flags()* [SOC1] bit is set and is cleared if *RemainingCapacity()* rises above the **SOC1 Clear Threshold**. If enabled via **OpConfig C [BATLSPUEN]**, the BAT\_LOW pin reflects the status of the [SOC1] flag bit. If enabled by **OpConfig B [BL\_INT]**, the SOC\_INT will toggle upon a state change of the [SOC1] flag bit. As *Voltage()* falls below the **SysDown Set Volt Threshold**, the *Flags()* [SYSDOWN] bit is set and SOC\_INT will toggle once to provide a final warning to shut down the system. As *Voltage()* rises above **SysDown Clear Voltage** the [SYSDOWN] bit is cleared and SOC\_INT toggles once to signal the status change. Additional details are found in the [BQ27520-G4 Technical Reference Manual \(SLUUA35\)](#).

## 8.4 Device Functional Modes

### 8.4.1 Power Modes

The fuel gauge has different power modes:

- **BAT INSERT CHECK:** The BAT INSERT CHECK mode is a powered-up, but low-power halted, state where the fuel gauge resides when no battery is inserted into the system.
- **NORMAL:** In NORMAL mode, the fuel gauge is fully powered and can execute any allowable task.
- **SLEEP:** In SLEEP mode, the fuel gauge turns off the high-frequency oscillator and operates in a reduced-power state, periodically taking measurements and performing calculations.
- **SLEEP+:** In SLEEP+ mode, both low-frequency and high-frequency oscillators are active. Although the SLEEP+ mode has higher current consumption than the SLEEP mode, it is also a reduced power mode.
- **HIBERNATE:** In HIBERNATE mode, the fuel gauge is in a low power state, but can wake up by communication or certain I/O activity.

The relationship between these modes is shown in [Figure 8-1](#) and [Figure 8-2](#).

#### 8.4.1.1 BAT INSERT CHECK Mode

This mode is a halted-CPU state that occurs when an adapter, or other power source, is present to power the fuel gauge (and system), but no battery has been detected. When battery insertion is detected, a series of initialization activities begin, which include: OCV measurement, setting the *Flags()* [BAT\_DET] bit, and selecting the appropriate battery profiles.

Some commands, issued by a system processor, can be processed while the fuel gauge is halted in this mode. The gauge wakes up to process the command, then returns to the halted state awaiting battery insertion.

#### 8.4.1.2 NORMAL Mode

The fuel gauge is in NORMAL mode when not in any other power mode. During this mode, *AverageCurrent()*, *Voltage()*, and *Temperature()* measurements are taken, and the interface data set is updated. Decisions to change states are also made. This mode is exited by activating a different power mode.

Because the gauge consumes the most power in NORMAL mode, the Impedance Track algorithm minimizes the time the fuel gauge remains in this mode.

#### 8.4.1.3 SLEEP Mode

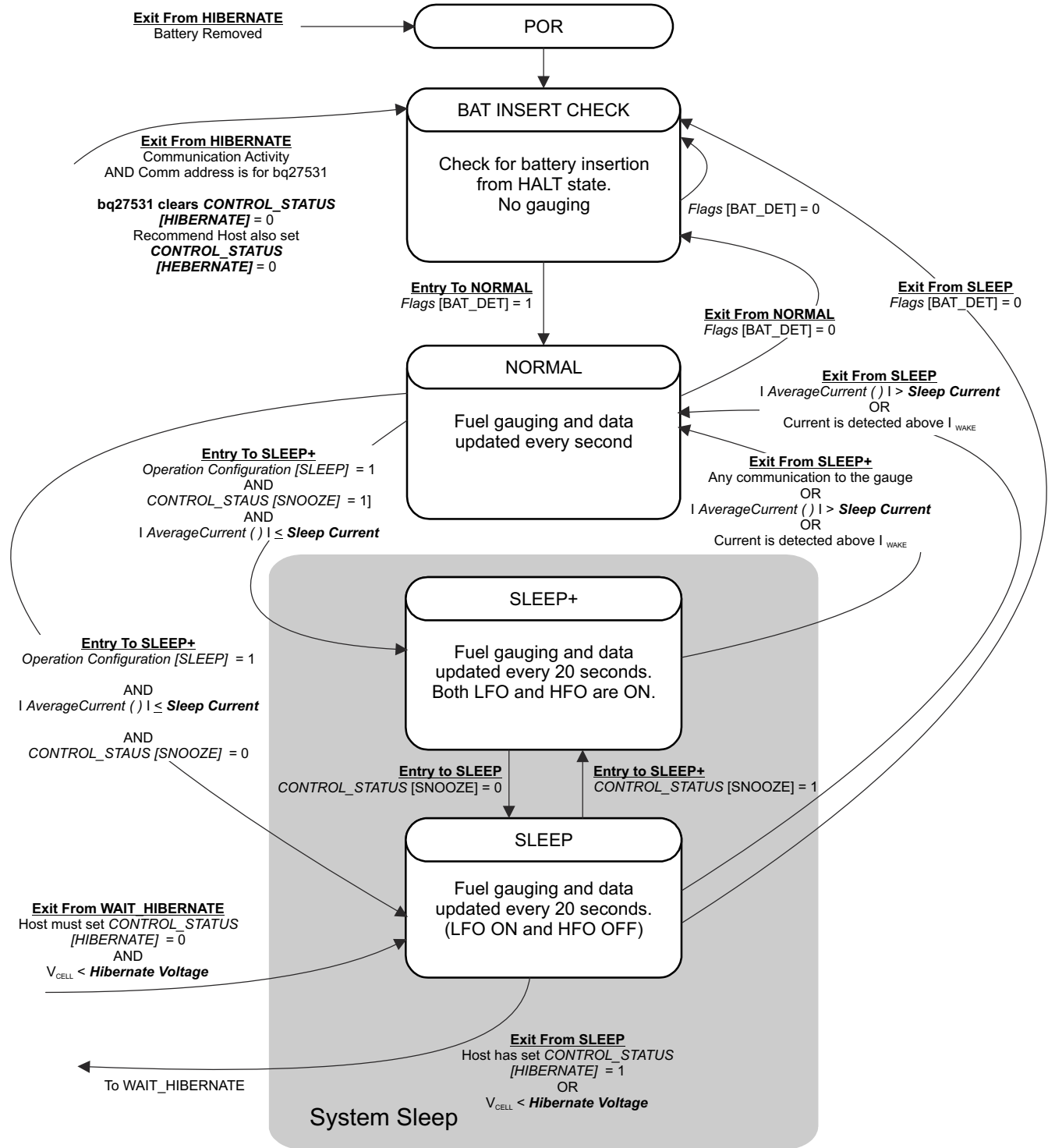
SLEEP mode is entered automatically if the feature is enabled (*Op Config [SLEEP] = 1*) and *AverageCurrent()* is below the programmable level **Sleep Current**. Once entry into SLEEP mode has been qualified, but prior to entering it, the fuel gauge performs a coulomb counter autocalibration to minimize offset.

During SLEEP mode, the fuel gauge periodically takes data measurements and updates its data set. However, a majority of its time is spent in an idle condition.

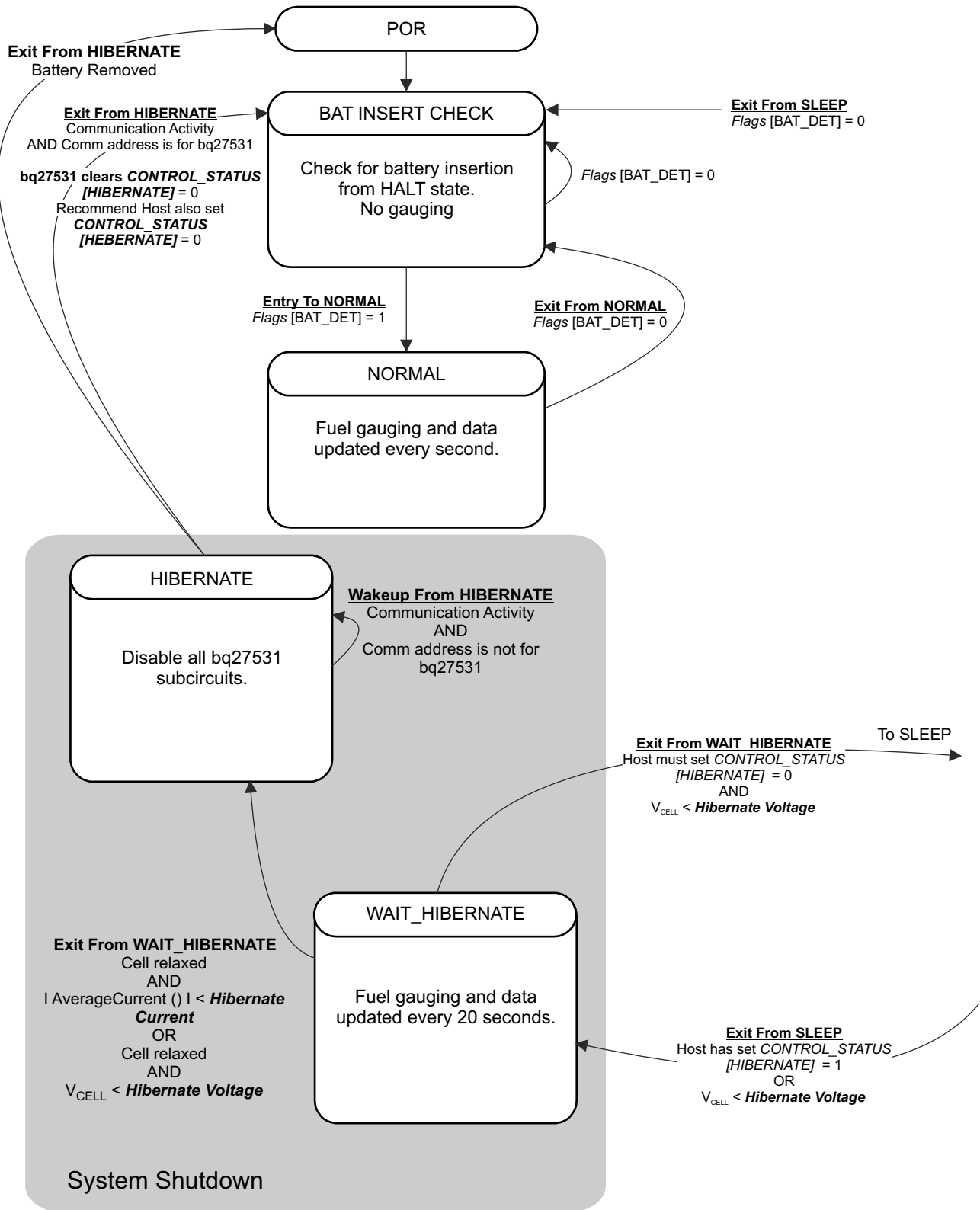
The fuel gauge exits SLEEP mode if any entry condition is broken, specifically when:

- *AverageCurrent()* rises above **Sleep Current**, or
- A current in excess of  $I_{WAKE}$  through  $R_{SENSE}$  is detected.

In the event that a battery is removed from the system while a charger is present (and powering the gauge), Impedance Track updates are not necessary. Hence, the fuel gauge enters a state that checks for battery insertion and does not continue executing the Impedance Track algorithm.



8-1. Power Mode Diagram—System Sleep



8-2. Power Mode Diagram—System Shutdown

### 8.4.2 SLEEP+ Mode

Compared to the SLEEP mode, SLEEP+ mode has the high-frequency oscillator in operation. The communication delay could be eliminated. The SLEEP+ mode is entered automatically if the feature is enabled (*CONTROL\_STATUS [SNOOZE] = 1*) and *AverageCurrent()* is below the programmable level **Sleep Current**.

During SLEEP+ mode, the fuel gauge periodically takes data measurements and updates its data set. However, a majority of its time is spent in an idle condition.

The fuel gauge exits SLEEP+ mode if any entry condition is broken, specifically when:

- Any communication activity with the gauge, or
- *AverageCurrent()* rises above **Sleep Current**, or
- A current in excess of  $I_{WAKE}$  through  $R_{SENSE}$  is detected.

### 8.4.3 HIBERNATE Mode

HIBERNATE mode should be used when the system equipment needs to enter a low-power state, and minimal gauge power consumption is required. This mode is ideal when system equipment is set to its own HIBERNATE, SHUTDOWN, or OFF mode.

Before the fuel gauge can enter HIBERNATE mode, the system must set the *CONTROL\_STATUS [HIBERNATE]* bit. The gauge waits to enter HIBERNATE mode until it has taken a valid OCV measurement and the magnitude of the average cell current has fallen below **Hibernate Current**. The gauge can also enter HIBERNATE mode if the cell voltage falls below **Hibernate Voltage** and a valid OCV measurement has been taken. The gauge remains in HIBERNATE mode until the system issues a direct I<sup>2</sup>C command to the gauge or a POR occurs. Any I<sup>2</sup>C communication that is not directed to the gauge does not wake the gauge.

It is the responsibility of the system to wake the fuel gauge after it has gone into HIBERNATE mode. After waking, the gauge can proceed with the initialization of the battery information (OCV, profile selection, and so forth).



## 8.5 Programming

### 8.5.1 Standard Data Commands

The fuel gauge uses a series of 2-byte standard commands to enable system reading and writing of battery information. Each standard command has an associated command-code pair, as indicated in [表 8-1](#). Because each command consists of two bytes of data, two consecutive I<sup>2</sup>C transmissions must be executed both to initiate the command function and to read or write the corresponding two bytes of data. Additional options for transferring data are described in [セクション 8.5.2](#). Read and write permissions depend on the active access mode, SEALED or UNSEALED. For details, see the [BQ27520-G4 Technical Reference Manual \(SLUUA35\)](#). See [セクション 8.5.3](#) for I<sup>2</sup>C details.

**表 8-1. Standard Commands**

NAME		COMMAND CODE	UNIT	SEALED ACCESS
<i>Control()</i>	CNTL	0x00 and 0x01	NA	RW
<i>AtRate()</i>	AR	0x02 and 0x03	mA	RW
<i>AtRateTimeToEmpty()</i>	ARTTE	0x04 and 0x05	Minutes	R
<i>Temperature()</i>	TEMP	0x06 and 0x07	0.1°K	RW
<i>Voltage()</i>	VOLT	0x08 and 0x09	mV	R
<i>Flags()</i>	FLAGS	0x0A and 0x0B	NA	R
<i>NominalAvailableCapacity()</i>	NAC	0x0C and 0x0D	mAh	R
<i>FullAvailableCapacity()</i>	FAC	0x0E and 0x0F	mAh	R
<i>RemainingCapacity()</i>	RM	0x10 and 0x11	mAh	R
<i>FullChargeCapacity()</i>	FCC	0x12 and 0x13	mAh	R
<i>AverageCurrent()</i>	AI	0x14 and 0x15	mA	R
<i>TimeToEmpty()</i>	TTE	0x16 and 0x17	Minutes	R
<i>StandbyCurrent()</i>	SI	0x18 and 0x19	mA	R
<i>StandbyTimeToEmpty()</i>	STTE	0x1A and 0x1B	Minutes	R
<i>StateOfHealth()</i>	SOH	0x1C and 0x1D	% / num	R
<i>CycleCount()</i>	CC	0x1E and 0x1F	num	R
<i>StateOfCharge()</i>	SOC	0x20 and 0x21	%	R
<i>InstantaneousCurrent()</i>		0x22 and 0x23	mA	R
<i>InternalTemperature()</i>	INTTEMP	0x28 and 0x29	0.1°K	R
<i>ResistanceScale()</i>		0x2A and 0x2B		R
<i>OperationConfiguration()</i>	Op Config	0x2C and 0x2D	NA	R
<i>DesignCapacity()</i>		0x2E and 0x2F	mAh	R
<i>UnfilteredRM()</i>	UFRM	0x6C and 0x6D	mAh	R
<i>FilteredRM()</i>	FRM	0x6E and 0x6F	mAh	R
<i>UnfilteredFCC()</i>	UFFCC	0x70 and 0x71	mAh	R
<i>FilteredFCC()</i>	FFCC	0x72 and 0x73	mAh	R
<i>TrueSOC()</i>	UFSOC	0x74 and 0x75	%	R

### 8.5.2 Extended Data Commands

Extended commands offer additional functionality beyond the standard set of commands. They are used in the same manner; however, unlike standard commands, extended commands are not limited to 2-byte words. The number of command bytes for a given extended command range in size from single to multiple bytes is specified in [表 8-2](#). See [BQ27520-G4 Technical Reference Manual \(SLUUA35\)](#) for details on accessing the data flash.

**表 8-2. Extended Data Commands**

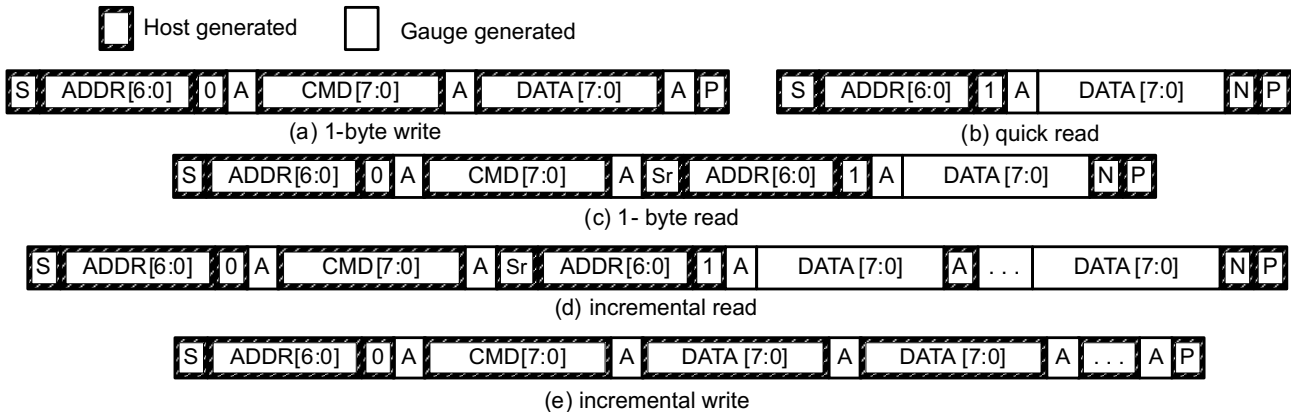
NAME	COMMAND CODE	UNIT	SEALED ACCESS <sup>(1) (2)</sup>	UNSEALED ACCESS <sup>(1) (2)</sup>
Reserved	0x34 to 0x3D	NA	R	R
<i>DataFlashClass()</i> <sup>(2)</sup>	0x3E	NA	NA	RW
<i>DataFlashBlock()</i> <sup>(2)</sup>	0x3F	NA	RW	RW
<i>BlockData()</i>	0x40 to 0x5F	NA	R	RW
<i>BlockDataCheckSum()</i>	0x60	NA	RW	RW
<i>BlockDataControl()</i>	0x61	NA	NA	RW
<i>ApplicationStatus()</i>	0x6A	NA	R	R
Reserved	0x6B to 0x7F	NA	R	R

- (1) SEALED and UNSEALED states are entered via commands to *Control()* 0x00 and 0x01.
- (2) In SEALED mode, data flash cannot be accessed through commands 0x3E and 0x3F.

**8.5.3 Communications**

**8.5.3.1 I<sup>2</sup>C Interface**

The BQ27520-G4 fuel gauge supports the standard I<sup>2</sup>C read, incremental read, quick read, one byte write, and incremental write functions. The 7-bit device address (ADDR) is the most significant 7 bits of the hex address and is fixed as 1010101. The first 8-bits of the I<sup>2</sup>C protocol is, therefore, 0xAA or 0xAB for write or read, respectively.



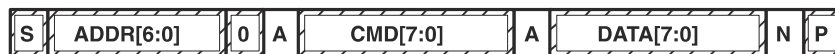
(S = Start, Sr = Repeated Start, A = Acknowledge, N = No Acknowledge, and P = Stop).

**图 8-3. I<sup>2</sup>C Read, Incremental Read, Quick Read, One Byte Write, and Incremental Write Functions**

The “quick read” returns data at the address indicated by the address pointer. The address pointer, a register internal to the I<sup>2</sup>C communication engine, increments whenever data is acknowledged by the fuel gauge or the I<sup>2</sup>C master. “Quick writes” function in the same manner and are a convenient means of sending multiple bytes to consecutive command locations (such as two-byte commands that require two bytes of data).

The following command sequences are not supported:

Attempt to write a read-only address (NACK after data sent by master):



**图 8-4. Invalid Write**

Attempt to read an address above 0x6B (NACK command):



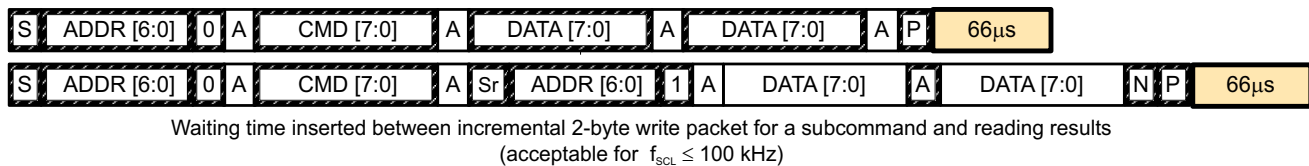
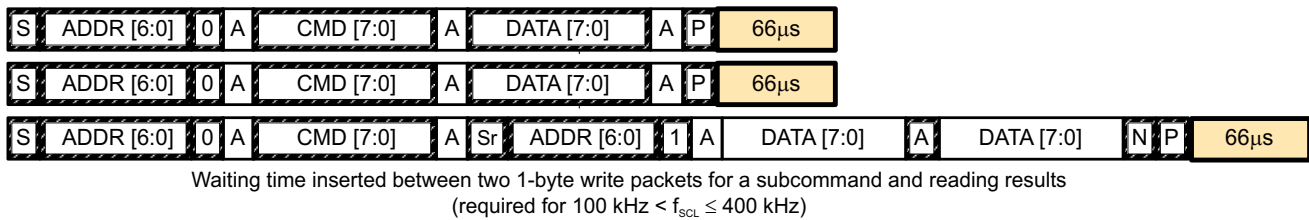
### 8-5. Invalid Read

#### 8.5.3.2 I<sup>2</sup>C Time Out

The I<sup>2</sup>C engine releases both SDA and SCL if the I<sup>2</sup>C bus is held low for 2 seconds. If the fuel gauge was holding the lines, releasing them frees them for the master to drive the lines. If an external condition is holding either of the lines low, the I<sup>2</sup>C engine enters the low-power sleep mode.

#### 8.5.3.3 I<sup>2</sup>C Command Waiting Time

To ensure proper operation at 400 kHz, a  $t_{(BUF)} \geq 66 \mu s$  bus free waiting time must be inserted between all packets addressed to the fuel gauge. In addition, if the SCL clock frequency ( $f_{SCL}$ ) is  $> 100$  kHz, use individual 1-byte write commands for proper data flow control. The following diagram shows the standard waiting time required between issuing the control subcommand the reading the status result. An *OCV\_CMD* subcommand requires 1.2 seconds prior to reading the result. For read-write standard command, a minimum of 2 seconds is required to get the result updated. For read-only standard commands, there is no waiting time required, but the host should not issue all standard commands more than two times per second. Otherwise, the fuel gauge could result in a reset issue due to the expiration of the watchdog timer.



### 8-6. Standard I<sup>2</sup>C Command Waiting Time Required

#### 8.5.3.4 I<sup>2</sup>C Clock Stretching

A clock stretch can occur during all modes of fuel gauge operation. In SLEEP and HIBERNATE modes, a short clock stretch occurs on all I<sup>2</sup>C traffic as the device must wake-up to process the packet. In the other modes (BAT INSERT CHECK, NORMAL, SNOOZE) clock stretching only occurs for packets addressed for the fuel gauge. The majority of clock stretch periods are small as the I<sup>2</sup>C interface performs normal data flow control. However, less frequent yet more significant clock stretch periods may occur as blocks of Data Flash are updated. The following table summarizes the approximate clock stretch duration for various fuel gauge operating conditions.

**表 8-3. Approximate Clock Stretch Duration**

GAUGING MODE	OPERATING CONDITION or COMMENT	APPROXIMATE DURATION
SLEEP HIBERNATE	Clock stretch occurs at the beginning of all traffic as the device wakes up.	5 ms
BAT INSERT CHECK, NORMAL, SNOOZE	Clock stretch occurs within the packet for flow control (after a start bit, ACK or first data bit).	100 $\mu$ s
	Normal Ra table Data Flash updates.	24 ms
	Data Flash block writes.	72 ms
	Restored Data Flash block write after loss of power.	116 ms
	End of discharge Ra table Data Flash update.	144 ms

## 9 Application and Implementation

---

### Note

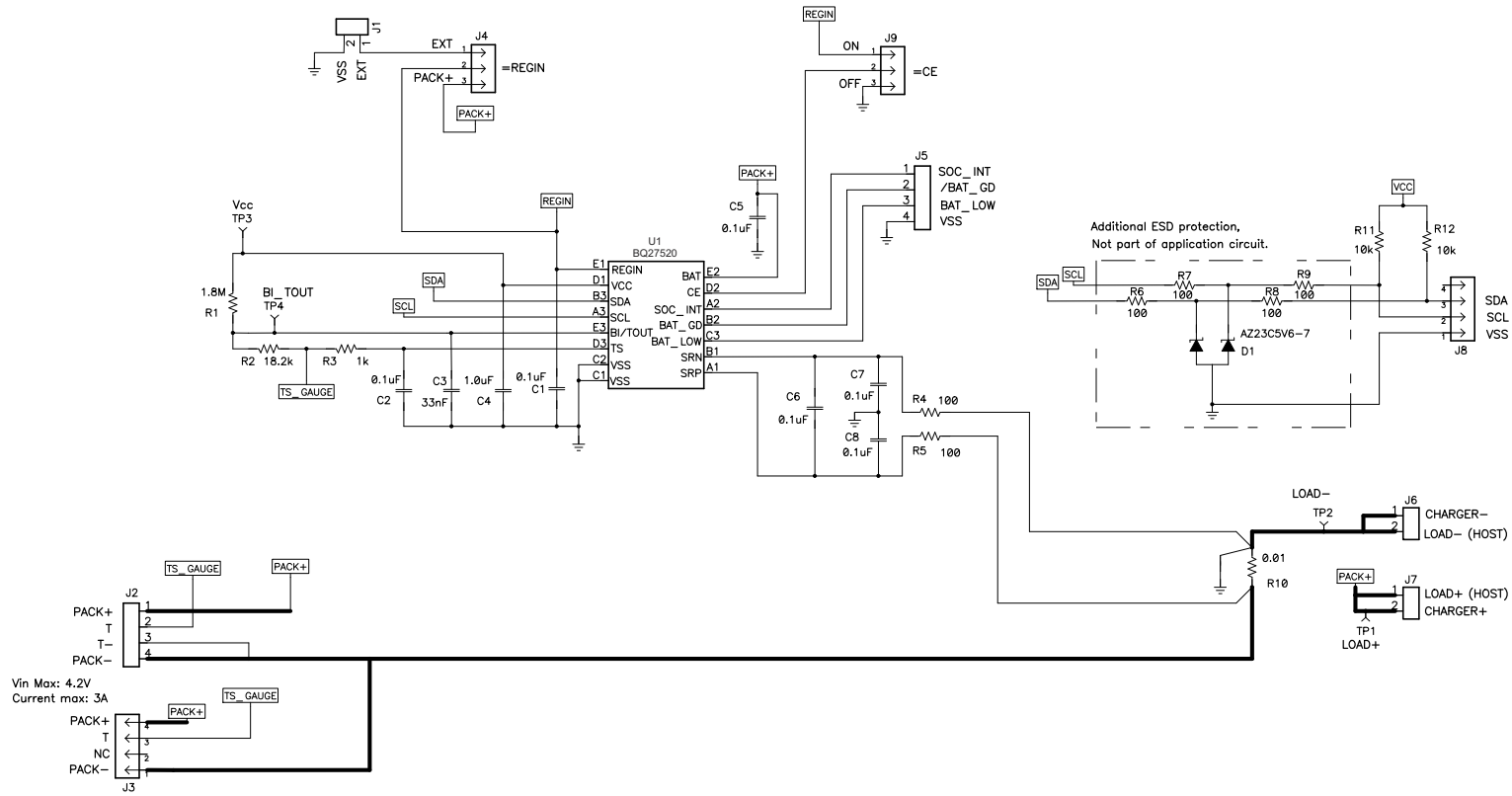
Information in the following applications sections is not part of the TI component specification, and TI does not warrant its accuracy or completeness. TI's customers are responsible for determining suitability of components for their purposes. Customers should validate and test their design implementation to confirm system functionality.

---

### 9.1 Application Information

The BQ27520-G4 system-side Li-ion battery fuel gauge is a microcontroller peripheral that provides fuel gauging for single-cell Li-ion battery packs. The device requires minimal system microcontroller firmware development. The fuel resides on the main board of the system and manages an embedded battery (nonremovable) or an up to 14500-mAhr capacity removable battery pack. To allow for optimal performance in the end application, special considerations must be taken to ensure minimization of measurement error through proper printed circuit board (PCB) board layout. [セクション 9.2.1](#) details these requirements.

## 9.2 Typical Application



**9-1. BQ27520-G4 System-Side Li-Ion Battery Fuel Gauge Typical Application Schematic**

## 9.2.1 Design Requirements

Several key parameters must be updated to align with a given application's battery characteristics. For highest accuracy gauging, it is important to follow-up this initial configuration with a learning cycle to optimize resistance and maximum chemical capacity (Q<sub>max</sub>) values prior to sealing and shipping systems to the field. Successful and accurate configuration of the fuel gauge for a target application can be used as the basis for creating a "golden" gas gauge (.fs) file that can be written to all gauges, assuming identical pack design and Li-ion cell origin (chemistry, lot, and so on). Calibration data is included as part of this golden GG file to cut down on system production time. If going this route, it is recommended to average the voltage and current measurement calibration data from a large sample size and use these in the golden file. 表 9-1, *Key Data Flash Parameters for Configuration*, shows the items that should be configured to achieve reliable protection and accurate gauging with minimal initial configuration.

**表 9-1. Key Data Flash Parameters for Configuration**

NAME	DEFAULT	UNIT	RECOMMENDED SETTING
Design Capacity	1000	mAh	Set based on the nominal pack capacity as interpreted from cell manufacturer's datasheet. If multiple parallel cells are used, should be set to N × Cell Capacity.
Design Energy Scale	1	—	Set to 10 to convert all power values to cWh or to 1 for mWh. <b>Design Energy</b> is divided by this value.
Reserve Capacity-mAh	0	mAh	Set to desired runtime remaining (in seconds / 3600) × typical applied load between reporting 0% SOC and reaching <b>Terminate Voltage</b> , if needed.
Chem ID	0100	hex	Should be configured using TI-supplied Battery Management Studio software. Default open-circuit voltage and resistance tables are also updated in conjunction with this step. Do not attempt to manually update reported Device Chemistry as this does not change all chemistry information! Always update chemistry using the appropriate software tool (that is, BQSTUDIO).
Load Mode	1	—	Set to applicable load model, 0 for constant current or 1 for constant power.
Load Select	1	—	Set to load profile which most closely matches typical system load.
Q <sub>max</sub> Cell 0	1000	mAh	Set to initial configured value for Design Capacity. The gauge will update this parameter automatically after the optimization cycle and for every regular Q <sub>max</sub> update thereafter.
Cell0 V at Chg Term	4200	mV	Set to nominal cell voltage for a fully charged cell. The gauge will update this parameter automatically each time full charge termination is detected.
Terminate Voltage	3200	mV	Set to empty point reference of battery based on system needs. Typical is between 3000 and 3200 mV.
R <sub>a</sub> Max Delta	44	mΩ	Set to 15% of Cell0 R <sub>a</sub> 4 resistance after an optimization cycle is completed.
Charging Voltage	4200	mV	Set based on nominal charge voltage for the battery in normal conditions (25°C, etc). Used as the reference point for offsetting by <b>Taper Voltage</b> for full charge termination detection.
Taper Current	100	mA	Set to the nominal taper current of the charger + taper current tolerance to ensure that the gauge will reliably detect charge termination.
Taper Voltage	100	mV	Sets the voltage window for qualifying full charge termination. Can be set tighter to avoid or wider to ensure possibility of reporting 100% SOC in outer JEITA temperature ranges that use derated charging voltage.
Dsg Current Threshold	60	mA	Sets threshold for gauge detecting battery discharge. Should be set lower than minimal system load expected in the application and higher than <b>Quit Current</b> .
Chg Current Threshold	75	mA	Sets the threshold for detecting battery charge. Can be set higher or lower depending on typical trickle charge current used. Also should be set higher than <b>Quit Current</b> .
Quit Current	40	mA	Sets threshold for gauge detecting battery relaxation. Can be set higher or lower depending on typical standby current and exhibited in the end system.
Avg I Last Run	-299	mA	Current profile used in capacity simulations at onset of discharge or at all times if <b>Load Select</b> = 0. Should be set to nominal system load. Is automatically updated by the gauge every cycle.
Avg P Last Run	-1131	mW	Power profile used in capacity simulations at onset of discharge or at all times if <b>Load Select</b> = 0. Should be set to nominal system power. Is automatically updated by the gauge every cycle.

**表 9-1. Key Data Flash Parameters for Configuration (continued)**

NAME	DEFAULT	UNIT	RECOMMENDED SETTING
Sleep Current	15	mA	Sets the threshold at which the fuel gauge enters SLEEP mode. Take care in setting above typical standby currents else entry to SLEEP may be unintentionally blocked.
CC Gain	10	mΩ	Calibrate this parameter using TI-supplied BQSTUDIO software and calibration procedure in the TRM. Determines conversion of coulomb counter measured sense resistor voltage to current.
CC Delta	10	mΩ	Calibrate this parameter using TI-supplied BQSTUDIO software and calibration procedure in the TRM. Determines conversion of coulomb counter measured sense resistor voltage to passed charge.
CC Offset	-1418	Counts	Calibrate this parameter using TI-supplied BQSTUDIO software and calibration procedure in the TRM. Determines native offset of coulomb counter hardware that should be removed from conversions.
Board Offset	0	Counts	Calibrate this parameter using TI-supplied BQSTUDIO software and calibration procedure in the TRM. Determines native offset of the printed circuit board parasitics that should be removed from conversions.
Pack V Offset	0	mV	Calibrate this parameter using TI-supplied BQSTUDIO software and calibration procedure in the TRM. Determines voltage offset between cell tab and ADC input node to incorporate back into or remove from measurement, depending on polarity.

## 9.2.2 Detailed Design Procedure

### 9.2.2.1 BAT Voltage Sense Input

A ceramic capacitor at the input to the BAT pin is used to bypass AC voltage ripple to ground, greatly reducing its influence on battery voltage measurements. It proves most effective in applications with load profiles that exhibit high-frequency current pulses (that is, cell phones) but is recommended for use in all applications to reduce noise on this sensitive high-impedance measurement node.

### 9.2.2.2 SRP and SRN Current Sense Inputs

The filter network at the input to the coulomb counter is intended to improve differential mode rejection of voltage measured across the sense resistor. These components should be placed as close as possible to the coulomb counter inputs and the routing of the differential traces length-matched to best minimize impedance mismatch-induced measurement errors.

### 9.2.2.3 Sense Resistor Selection

Any variation encountered in the resistance present between the SRP and SRN pins of the fuel gauge will affect the resulting differential voltage, and derived current, it senses. As such, it is recommended to select a sense resistor with minimal tolerance and temperature coefficient of resistance (TCR) characteristics. The standard recommendation based on best compromise between performance and price is a 1% tolerance, 100 ppm drift sense resistor with a 1-W power rating.

### 9.2.2.4 TS Temperature Sense Input

Similar to the BAT pin, a ceramic decoupling capacitor for the TS pin is used to bypass AC voltage ripple away from the high-impedance ADC input, minimizing measurement error. Another helpful advantage is that the capacitor provides additional ESD protection since the TS input to system may be accessible in systems that use removable battery packs. It should be placed as close as possible to the respective input pin for optimal filtering performance.

### 9.2.2.5 Thermistor Selection

The fuel gauge temperature sensing circuitry is designed to work with a negative temperature coefficient-type (NTC) thermistor with a characteristic 10-kΩ resistance at room temperature (25°C). The default curve-fitting coefficients configured in the fuel gauge specifically assume a 103AT-2 type thermistor profile and so that is the default recommendation for thermistor selection purposes. Moving to a separate thermistor resistance profile (for example, JT-2 or others) requires an update to the default thermistor coefficients in data flash to ensure highest accuracy temperature measurement performance.



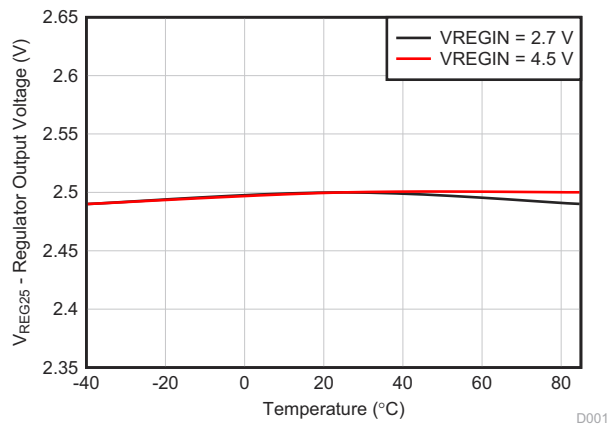
### 9.2.2.6 REGIN Power Supply Input Filtering

A ceramic capacitor is placed at the input to the fuel gauge internal LDO to increase power supply rejection (PSR) and improve effective line regulation. It ensures that voltage ripple is rejected to ground instead of coupling into the internal supply rails of the fuel gauge.

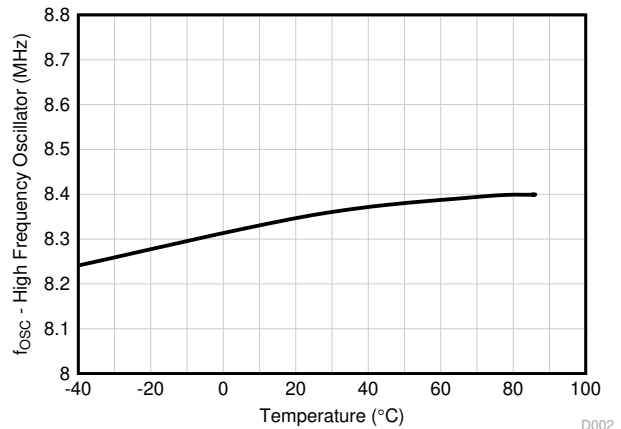
### 9.2.2.7 V<sub>CC</sub> LDO Output Filtering

A ceramic capacitor is also needed at the output of the internal LDO to provide a current reservoir for fuel gauge load peaks during high peripheral utilization. It acts to stabilize the regulator output and reduce core voltage ripple inside of the fuel gauge.

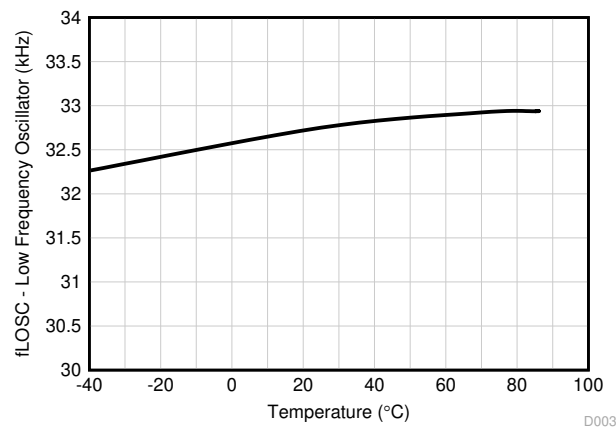
## 9.2.3 Application Curves



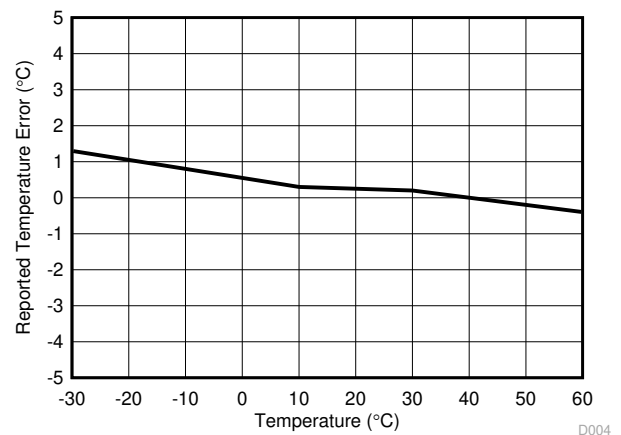
**9-2. Regulator Output Voltage vs. Temperature**



**9-3. High-Frequency Oscillator Frequency vs. Temperature**



**9-4. Low-Frequency Oscillator Frequency vs. Temperature**



**9-5. Reported Internal Temperature Measurement vs. Temperature**

## 10 Power Supply Recommendations

### 10.1 Power Supply Decoupling

Both the REGIN input pin and the  $V_{CC}$  output pin require low equivalent series resistance (ESR) ceramic capacitors placed as closely as possible to the respective pins to optimize ripple rejection and provide a stable and dependable power rail that is resilient to line transients. A 0.1- $\mu$ F capacitor at the REGIN and a 1- $\mu$ F capacitor at  $V_{CC}$  will suffice for satisfactory device performance.

## 11 Layout

### 11.1 Layout Guidelines

#### 11.1.1 Sense Resistor Connections

Kelvin connections at the sense resistor are just as critical as those for the battery terminals themselves. The differential traces should be connected at the inside of the sense resistor pads and not anywhere along the high-current trace path to prevent false increases to measured current that could result when measuring between the sum of the sense resistor and trace resistance between the tap points. In addition, the routing of these leads from the sense resistor to the input filter network and finally into the SRP and SRN pins needs to be as closely matched in length as possible else additional measurement offset could occur. It is further recommended to add copper trace or pour-based "guard rings" around the perimeter of the filter network and coulomb counter inputs to shield these sensitive pins from radiated EMI into the sense nodes. This prevents differential voltage shifts that could be interpreted as real current change to the fuel gauge. All of the filter components need to be placed as close as possible to the coulomb counter input pins.

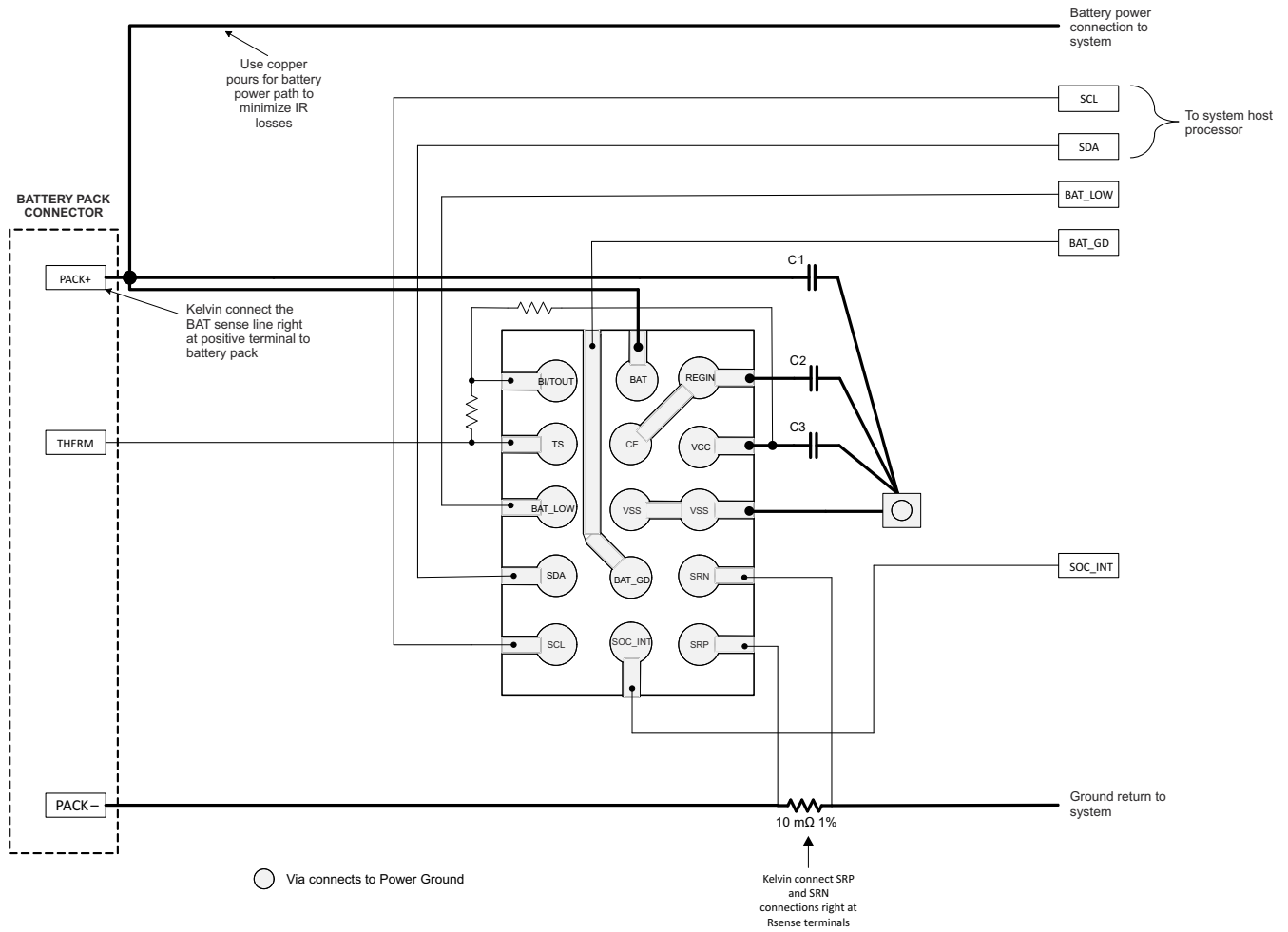
#### 11.1.2 Thermistor Connections

The thermistor sense input should include a ceramic bypass capacitor placed as close to the TS input pin as possible. The capacitor helps to filter measurements of any stray transients as the voltage bias circuit pulses periodically during temperature sensing windows.

#### 11.1.3 High-Current and Low-Current Path Separation

For best possible noise performance, it is extremely important to separate the low-current and high-current loops to different areas of the board layout. The fuel gauge and all support components should be situated on one side of the boards and tap off of the high-current loop (for measurement purposes) at the sense resistor. Routing the low-current ground around instead of under high-current traces will further help to improve noise rejection.

## 11.2 Layout Example



**11-1. Layout Recommendation**

## 12 Device and Documentation Support

### 12.1 Third-Party Products Disclaimer

TI'S PUBLICATION OF INFORMATION REGARDING THIRD-PARTY PRODUCTS OR SERVICES DOES NOT CONSTITUTE AN ENDORSEMENT REGARDING THE SUITABILITY OF SUCH PRODUCTS OR SERVICES OR A WARRANTY, REPRESENTATION OR ENDORSEMENT OF SUCH PRODUCTS OR SERVICES, EITHER ALONE OR IN COMBINATION WITH ANY TI PRODUCT OR SERVICE.

### 12.2 Documentation Support

#### 12.2.1 Related Documentation

- [BQ27520-G4 Technical Reference Manual \(SLUUA35\)](#)

### 12.3 Receiving Notification of Documentation Updates

To receive notification of documentation updates, navigate to the device product folder on [ti.com](#). Click on *Subscribe to updates* to register and receive a weekly digest of any product information that has changed. For change details, review the revision history included in any revised document.

### 12.4 サポート・リソース

TI E2E™ サポート・フォーラムは、エンジニアが検証済みの回答と設計に関するヒントをエキスパートから迅速かつ直接得ることができる場所です。既存の回答を検索したり、独自の質問をしたりすることで、設計に必要な支援を迅速に得ることができます。

リンクされているコンテンツは、該当する貢献者により、現状のまま提供されるものです。これらは TI の仕様を構成するものではなく、必ずしも TI の見解を反映したものではありません。TI の [使用条件](#) を参照してください。

### 12.5 Trademarks

Impedance Track™, NanoFree™, TI E2E™ are trademarks of Texas Instruments.

すべての商標は、それぞれの所有者に帰属します。

### 12.6 Electrostatic Discharge Caution



This integrated circuit can be damaged by ESD. Texas Instruments recommends that all integrated circuits be handled with appropriate precautions. Failure to observe proper handling and installation procedures can cause damage.

ESD damage can range from subtle performance degradation to complete device failure. Precision integrated circuits may be more susceptible to damage because very small parametric changes could cause the device not to meet its published specifications.

### 12.7 Glossary

[TI Glossary](#) This glossary lists and explains terms, acronyms, and definitions.

## 13 Mechanical, Packaging, and Orderable Information

The following pages include mechanical, packaging, and orderable information. This information is the most current data available for the designated devices. This data is subject to change without notice and revision of this document. For browser-based versions of this data sheet, refer to the left-hand navigation.

**PACKAGING INFORMATION**

Orderable Device	Status (1)	Package Type	Package Drawing	Pins	Package Qty	Eco Plan (2)	Lead finish/ Ball material (6)	MSL Peak Temp (3)	Op Temp (°C)	Device Marking (4/5)	Samples
BQ27520YZFR-G4	ACTIVE	DSBGA	YZF	15	3000	RoHS & Green	SNAGCU	Level-1-260C-UNLIM	-40 to 85	BQ27520	Samples
BQ27520YZFT-G4	ACTIVE	DSBGA	YZF	15	250	RoHS & Green	SNAGCU	Level-1-260C-UNLIM	-40 to 85	BQ27520	Samples

(1) The marketing status values are defined as follows:

**ACTIVE:** Product device recommended for new designs.

**LIFEBUY:** TI has announced that the device will be discontinued, and a lifetime-buy period is in effect.

**NRND:** Not recommended for new designs. Device is in production to support existing customers, but TI does not recommend using this part in a new design.

**PREVIEW:** Device has been announced but is not in production. Samples may or may not be available.

**OBSOLETE:** TI has discontinued the production of the device.

(2) **RoHS:** TI defines "RoHS" to mean semiconductor products that are compliant with the current EU RoHS requirements for all 10 RoHS substances, including the requirement that RoHS substance do not exceed 0.1% by weight in homogeneous materials. Where designed to be soldered at high temperatures, "RoHS" products are suitable for use in specified lead-free processes. TI may reference these types of products as "Pb-Free".

**RoHS Exempt:** TI defines "RoHS Exempt" to mean products that contain lead but are compliant with EU RoHS pursuant to a specific EU RoHS exemption.

**Green:** TI defines "Green" to mean the content of Chlorine (Cl) and Bromine (Br) based flame retardants meet JS709B low halogen requirements of <=1000ppm threshold. Antimony trioxide based flame retardants must also meet the <=1000ppm threshold requirement.

(3) MSL, Peak Temp. - The Moisture Sensitivity Level rating according to the JEDEC industry standard classifications, and peak solder temperature.

(4) There may be additional marking, which relates to the logo, the lot trace code information, or the environmental category on the device.

(5) Multiple Device Markings will be inside parentheses. Only one Device Marking contained in parentheses and separated by a "~" will appear on a device. If a line is indented then it is a continuation of the previous line and the two combined represent the entire Device Marking for that device.

(6) Lead finish/Ball material - Orderable Devices may have multiple material finish options. Finish options are separated by a vertical ruled line. Lead finish/Ball material values may wrap to two lines if the finish value exceeds the maximum column width.

**Important Information and Disclaimer:**The information provided on this page represents TI's knowledge and belief as of the date that it is provided. TI bases its knowledge and belief on information provided by third parties, and makes no representation or warranty as to the accuracy of such information. Efforts are underway to better integrate information from third parties. TI has taken and continues to take reasonable steps to provide representative and accurate information but may not have conducted destructive testing or chemical analysis on incoming materials and chemicals. TI and TI suppliers consider certain information to be proprietary, and thus CAS numbers and other limited information may not be available for release.

In no event shall TI's liability arising out of such information exceed the total purchase price of the TI part(s) at issue in this document sold by TI to Customer on an annual basis.



**TAPE AND REEL INFORMATION**

**QUADRANT ASSIGNMENTS FOR PIN 1 ORIENTATION IN TAPE**


\*All dimensions are nominal

Device	Package Type	Package Drawing	Pins	SPQ	Reel Diameter (mm)	Reel Width W1 (mm)	A0 (mm)	B0 (mm)	K0 (mm)	P1 (mm)	W (mm)	Pin1 Quadrant
BQ27520YZFR-G4	DSBGA	YZF	15	3000	180.0	8.4	2.1	2.76	0.81	4.0	8.0	Q1
BQ27520YZFT-G4	DSBGA	YZF	15	250	180.0	8.4	2.1	2.76	0.81	4.0	8.0	Q1

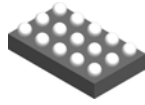
**TAPE AND REEL BOX DIMENSIONS**


\*All dimensions are nominal

Device	Package Type	Package Drawing	Pins	SPQ	Length (mm)	Width (mm)	Height (mm)
BQ27520YZFR-G4	DSBGA	YZF	15	3000	182.0	182.0	20.0
BQ27520YZFT-G4	DSBGA	YZF	15	250	182.0	182.0	20.0



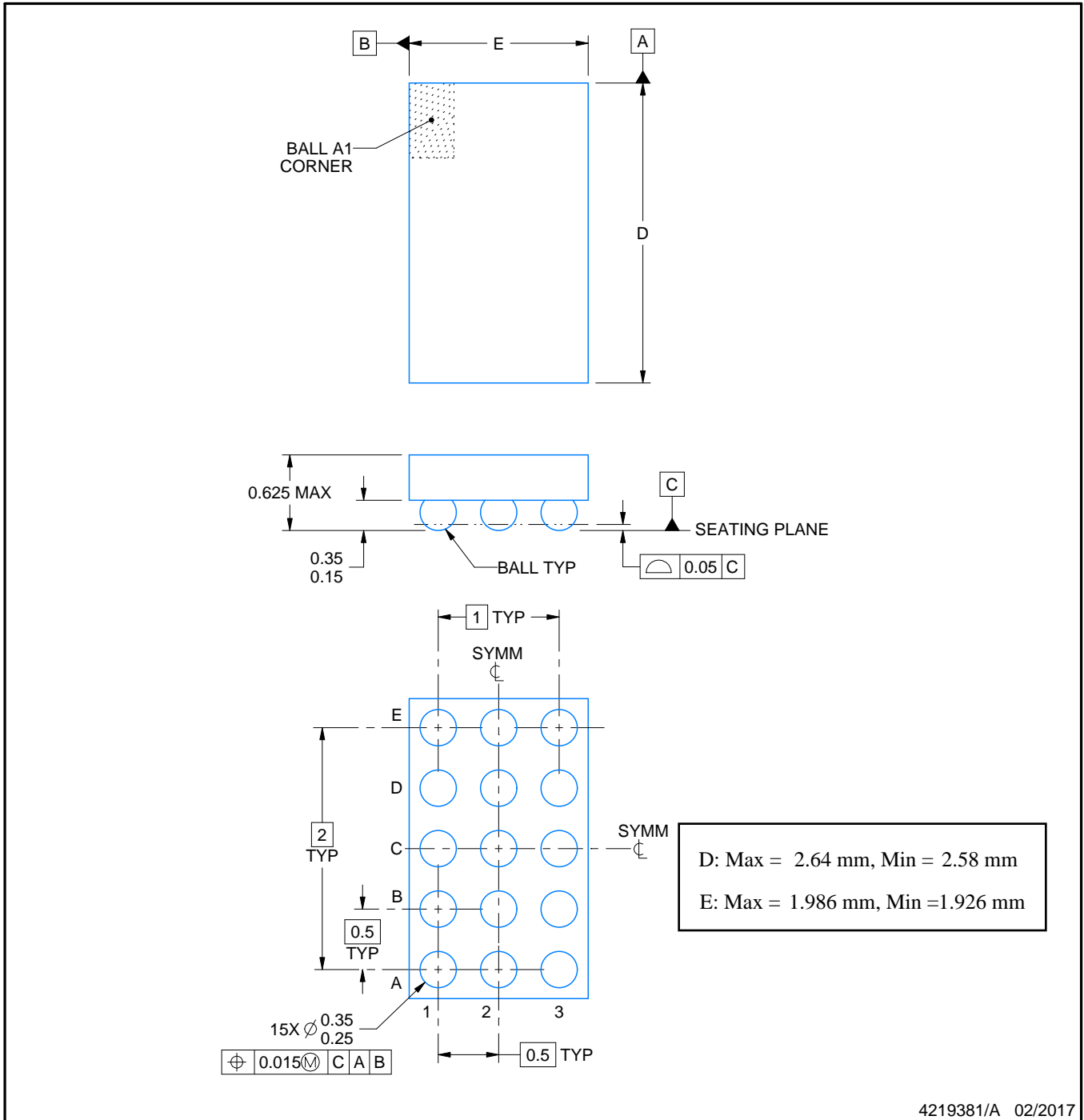
YZF0015



PACKAGE OUTLINE

DSBGA - 0.625 mm max height

DIE SIZE BALL GRID ARRAY



NOTES:

NanoFree Is a trademark of Texas Instruments.

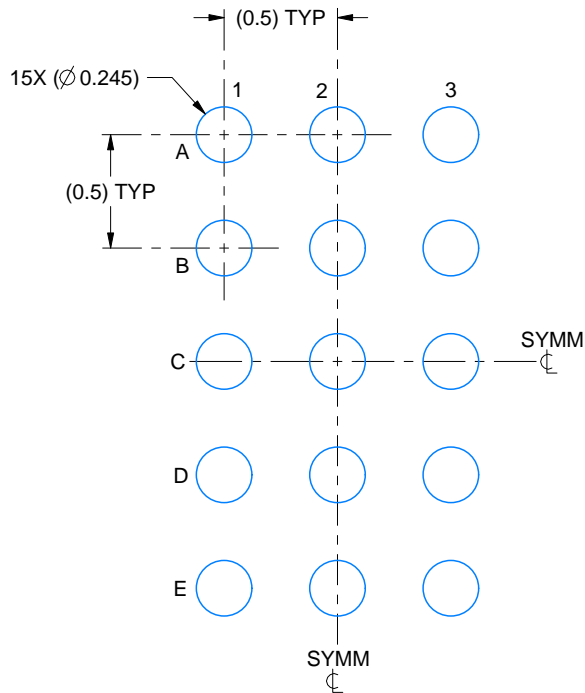
1. All linear dimensions are in millimeters. Any dimensions in parenthesis are for reference only. Dimensioning and tolerancing per ASME Y14.5M.
2. This drawing is subject to change without notice.
3. NanoFree™ package configuration.

# EXAMPLE BOARD LAYOUT

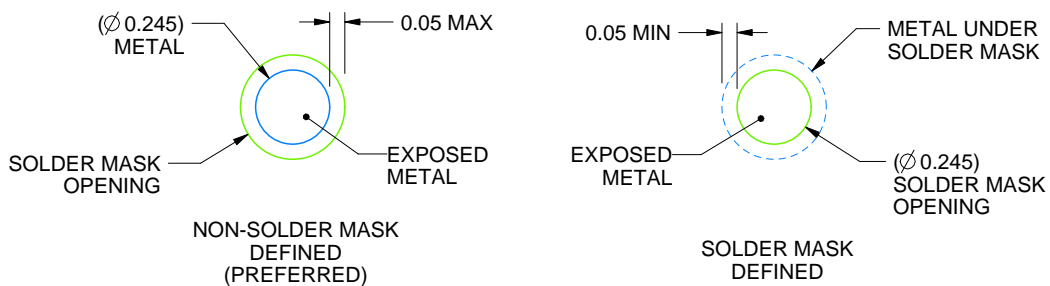
YZF0015

DSBGA - 0.625 mm max height

DIE SIZE BALL GRID ARRAY



LAND PATTERN EXAMPLE  
EXPOSED METAL SHOWN  
SCALE:30X



SOLDER MASK DETAILS  
NOT TO SCALE

4219381/A 02/2017

NOTES: (continued)

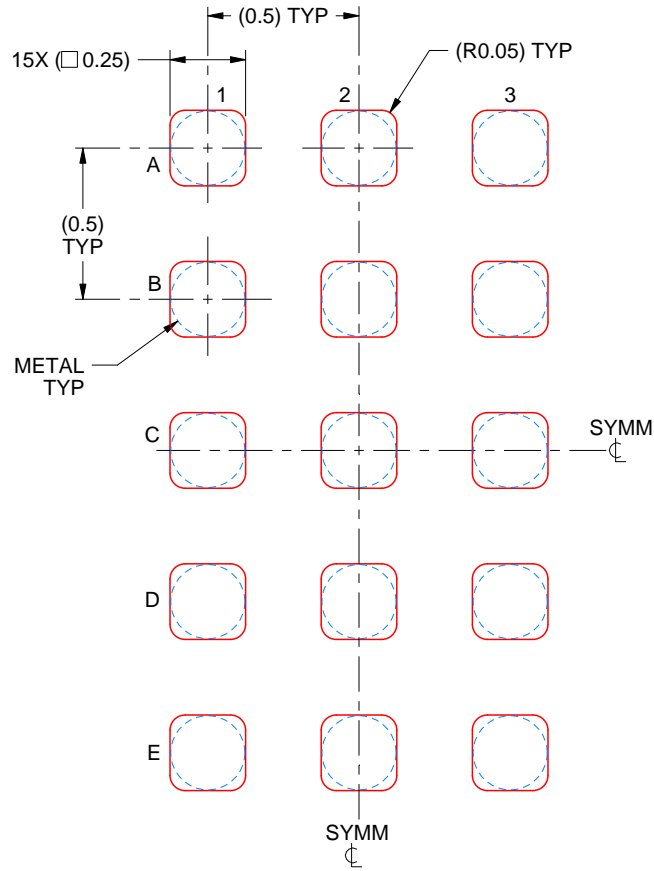
- Final dimensions may vary due to manufacturing tolerance considerations and also routing constraints. For more information, see Texas Instruments literature number SNVA009 ([www.ti.com/lit/snva009](http://www.ti.com/lit/snva009)).

# EXAMPLE STENCIL DESIGN

YZF0015

DSBGA - 0.625 mm max height

DIE SIZE BALL GRID ARRAY



SOLDER PASTE EXAMPLE  
BASED ON 0.1 mm THICK STENCIL  
SCALE:40X

4219381/A 02/2017

NOTES: (continued)

5. Laser cutting apertures with trapezoidal walls and rounded corners may offer better paste release.

## 重要なお知らせと免責事項

TI は、技術データと信頼性データ(データシートを含みます)、設計リソース(リファレンス・デザインを含みます)、アプリケーションや設計に関する各種アドバイス、Web ツール、安全性情報、その他のリソースを、欠陥が存在する可能性のある「現状のまま」提供しており、商品性および特定目的に対する適合性の黙示保証、第三者の知的財産権の非侵害保証を含むいかなる保証も、明示的または黙示的にかかわらず拒否します。

これらのリソースは、TI 製品を使用する設計の経験を積んだ開発者への提供を意図したものです。(1) お客様のアプリケーションに適した TI 製品の選定、(2) お客様のアプリケーションの設計、検証、試験、(3) お客様のアプリケーションに該当する各種規格や、その他のあらゆる安全性、セキュリティ、規制、または他の要件への確実な適合に関する責任を、お客様のみが単独で負うものとし、

上記の各種リソースは、予告なく変更される可能性があります。これらのリソースは、リソースで説明されている TI 製品を使用するアプリケーションの開発の目的でのみ、TI はその使用をお客様に許諾します。これらのリソースに関して、他の目的で複製することや掲載することは禁止されています。TI や第三者の知的財産権のライセンスが付与されている訳ではありません。お客様は、これらのリソースを自身で使用した結果発生するあらゆる申し立て、損害、費用、損失、責任について、TI およびその代理人を完全に補償するものとし、TI は一切の責任を拒否します。

TI の製品は、[TI の販売条件](#)、または [ti.com](#) やかかる TI 製品の関連資料などのいずれかを通じて提供する適用可能な条項の下で提供されています。TI がこれらのリソースを提供することは、適用される TI の保証または他の保証の放棄の拡大や変更を意味するものではありません。

お客様がいかなる追加条項または代替条項を提案した場合でも、TI はそれらに異議を唱え、拒否します。

郵送先住所 : Texas Instruments, Post Office Box 655303, Dallas, Texas 75265  
Copyright © 2024, Texas Instruments Incorporated