

HD3SS215 6.0Gbps HDMI DisplayPort 2:1/1:2 差動スイッチ

1 特長

- 汎用 2:1/1:2 差動スイッチ
- DisplayPort 電気規格に対応
- HDMI 電気規格に対応
- 最大 6Gbps のデータ・レートをサポートする 2:1 および 1:2 スイッチング
- HPD スイッチングをサポート
- AUX および DDC スイッチングをサポート
- 7GHz の広い -3dB 差動帯域幅
- 優れた動的特性 (3GHz 時)
 - クロストーク = -35dB
 - 絶縁 = -21dB
 - 挿入損失 = -1.6dB
 - 反射損失 = -12dB
 - 最大ビット間スキュー = 5ps
- VDD 動作範囲: 3.3V ±10%
- 商業用温度範囲: 0°C ~ 70°C (HD3SS215)
- 産業用温度範囲: -40°C ~ 85°C (HD3SS215I)
- パッケージ・オプション:
 - 5mm × 5mm, 50 ボール ZXH
 - 8mm × 8mm, 56 ピン RTQ
- 出力イネーブル (OE) ピンは、消費電力を節約するためにスイッチをディセーブルします
- 消費電力:
 - アクティブ時: 9mW 未満
 - スタンバイ時: 30μW 未満 (OE = L の場合)

2 アプリケーション

- デスクトップ・アプリケーションおよびノート・アプリケーション:
 - PCI Express Gen 1, Gen 2 スイッチング
 - DP スイッチング
 - HDMI スイッチング
 - LVDS スイッチング
- ネットワーク接続の周辺機器とプリンタ
- ホーム・シアター / エンターテインメント
- テレビ
- ゲーム
- 業務用オーディオ、ビデオとサイネージ

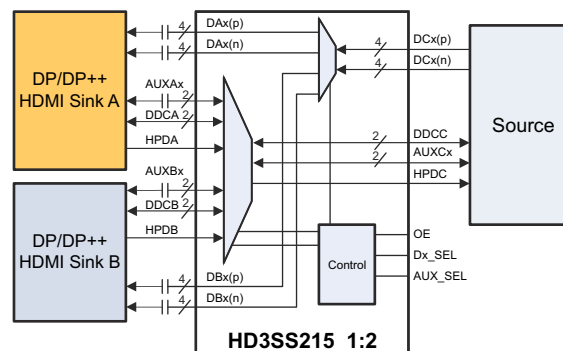
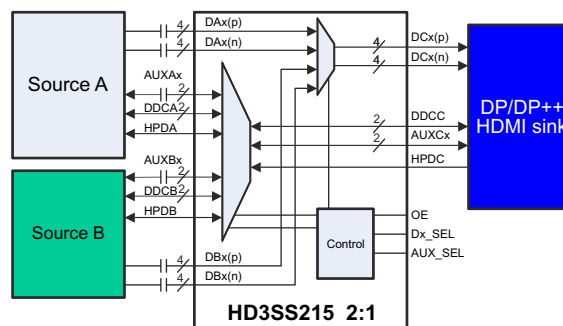
3 概要

HD3SS215 は、4k2k 60Hz のリフレッシュ・レートを必要とする DisplayPort HBR2 および高解像度マルチメディア・インターフェイス (HDMI) アプリケーションに対応できる、高速で広い同相モードのパッシブ・スイッチです。HD3SS215 は、2 つのソースから 1 つのシンク、または 1 つのソースから 2 つのシンクをサポートするように構成できます。これらのビデオ規格をサポートするため、HD3SS215 は HDMI またはデジタル・ビデオ・インターフェイス (DVI) アプリケーション用のディスプレイ・データ・チャネル (DDC) 信号とホット・プラグ検出 (HPD) 信号も切り替えます。DisplayPort アプリケーションの補助 (AUX) 信号とホット・プラグ検出 (HPD) 信号も切り替えます。HD3SS215 は、広い同相モードと AC または DC 結合リンクの両方に対応しているという柔軟性を備えているため、多くのアプリケーションに理想的です。

製品情報 (1)

部品番号	パッケージ	本体サイズ (公称)
HD3SS215, HD3SS215I	nFBGA (50)	5.00mm × 5.00mm
	QFN (56)	8.00mm × 8.00mm

- (1) 利用可能なすべてのパッケージについては、このデータシートの末尾にある注文情報を参照してください。



アプリケーション回路図



Table of Contents

1 特長	1	8 Detailed Description	13
2 アプリケーション	1	8.1 Overview.....	13
3 概要	1	8.2 Functional Block Diagram.....	14
4 Revision History	2	8.3 Feature Description.....	15
5 Description (continued)	4	8.4 Device Functional Modes.....	15
6 Pin Configuration and Functions	4	9 Applications and Implementation	16
Pin Functions.....	7	9.1 Application Information.....	16
7 Specifications	9	9.2 Typical Applications.....	16
7.1 Absolute Maximum Ratings ⁽¹⁾ (2)	9	10 Layout	21
7.2 ESD Ratings.....	9	10.1 Layout Guidelines.....	21
7.3 Recommended Operating Conditions.....	9	10.2 Layout Example.....	22
7.4 Thermal Information.....	9	11 Device and Documentation Support	24
7.5 Electrical Characteristics.....	10	11.1 Community Resources.....	24
7.6 Electrical Characteristics, Device Parameters ⁽¹⁾	11	11.2 Trademarks.....	24
7.7 Switching Characteristics.....	11	12 Mechanical, Packaging, and Orderable Information	24
7.8 Timing Diagrams.....	11		

4 Revision History

資料番号末尾の英字は改訂を表しています。その改訂履歴は英語版に準じています。

Changes from Revision D (September 2015) to Revision E (December 2020)

Page

• 注: MicroStar Jr. BGA パッケージのデバイスは、ラミネート nFBGA パッケージを使用して再設計されています。この nFBGA パッケージは、データシート上、同等の電気的性能を実現します。また、MicroStar Jr. BGA と同等のフットプリントを実現しています。生産中止となったパッケージ識別子に代わる新しいパッケージ識別子が、データシート全体を通して更新されます。.....	1
• u * JR ZQE を nFBGA ZXH に変更.....	1
• Changed u*jr ZQE to nFBGA ZXH.....	4
• Changed u*jr ZQE to nFBGA ZXH.....	4
• Changed u*jr ZQE to nFBGA ZXH.....	4
• Changed u*jr ZQE to nFBGA ZXH.....	7
• Changed u*jr ZQE to nFBGA ZXH. Updated thermal data.....	9
• Changed u*jr ZQE to nFBGA ZXH.....	11
• Changed u*jr ZQE to nFBGA ZXH.....	16

Changes from Revision C (August 2015) to Revision D (September 2015)

Page

• セクション 3 テキスト文字列を「...DisplayPort 1.2a...」から「...DisplayPort HBR2...」に変更、および「..HDMI2.0..」から「...HDMI...」に変更.....	1
• Deleted $R_{\theta JC(bot)}$ spec from Thermal Information table as N/A.....	9
• Deleted "Operating free air temperature" spec from Electrical Characteristics table.....	10
• Changed 図 9-5	20
• Changed セクション Power Supply Recommendations text string from "Decoupling capacitors may be used to reduce noise and improve power supply integrity" to "Decoupling capacitors must be used to reduce power supply noise".....	20

Changes from Revision B (July 2015) to Revision C (July 2015)

Page

• Added $t_{on(OE_L-H)}$, $t_{off(OE_H-L)}$, and t_{SWITCH_OVER} to the セクション 7.7	11
--	----

Changes from Revision A (May 2014) to Revision B (July 2015)

Page

• タイトルを「2.0/DisplayPort 1.2A」から「DisplayPort」に変更.....	1
• セクション 1 リスト項目を「DisplayPort 1.2a 電気規格に対応」から「DisplayPort 電気規格に対応」に変更.....	1

• セクション 1 リスト項目を「HDMI 1.4b および HDMI 2.0 電気規格に対応」から「HDMI 電気規格に対応」に変更.....	1
• セクション 1 項目を追加: 商業用温度範囲: -40°C~70°C (HD3SS215).....	1
• セクション 1 項目を追加: 産業用温度範囲: -40°C~85°C (HD3SS215I).....	1
• セクション 1、「パッケージ・オプション」を追加: 8mm × 5mm、56 ピン RTQ.....	1
• セクション 2 リスト項目を「TV およびモニタ」から「UHDTV、HDTV、モニタ」に変更.....	1
• Added セクション 5 paragraph.....	4
• Added the 56-Pin QFN image.....	4
• Added RTQ column to the <i>Pin Functions</i> table.....	4
• Added RTQ column to the <i>Pin Functions</i> table.....	7
• Moved T _{sig} From: セクション 7.2 To: セクション 7.1.....	9
• Changed the <i>Handling Ratings</i> table to セクション 7.2 table.....	9
• Added HD3SS2151I, Operating free-air temperature セクション 7.3.....	9
• Added RTQ 56 PIN values to the セクション 7.4.....	9
• Added table Note " This pin can be driven.." to the セクション 7.5 table.....	10
• Changed the セクション 7.6 table to include ZQE and RTQ package values.....	11
• Added the セクション 7.7 table.....	11
• Added section: セクション 9.2.4.....	20
• Added 図 10-3.....	22

Changes from Revision * (May 2014) to Revision A (May 2014)
Page

• セクション 3 セクションを変更.....	1
• Changed 図 9-1.....	16

5 Description (continued)

One typical application would be a mother board that includes two GPUs that need to drive one DisplayPort sink. The GPU is selected by the Dx_SEL pin. Another application is when one source needs to switch between one of two sinks, such as a side connector an a docking station connector. The switching is controlled using the Dx_SEL and AUX_SEL pins. The HD3SS215I operates from a single supply voltage of 3.3 V, over full industrial temperature range –40°C to 85°C, in the ZXH package and 56 pin RTQ package.

6 Pin Configuration and Functions

	1	2	3	4	5	6	7	8	9
A	Dx_SEL	VDD		DA0(n)	DA1(n)	DA2(n)		DA3(p)	DA3(n)
B	DC0(n)	DC0(p)	GND	DA0(p)	DA1(p)	DA2(p)	OE	DB0(p)	DB0(n)
C		AUX_SEL						GND	
D	DC1(n)	DC1(p)						DB1(p)	DB1(n)
E	DC2(n)	DC2(p)						DB2(p)	DB2(n)
F	DC3(n)	DC3(p)						DB3(p)	DB3(n)
G		GND						GND	
H	AUXC(n)	AUXC(p)	HPDB	GND	DDCCLK_B	AUXB(p)	GND	DDCCLK_A	AUXA(p)
J	HPDC	HPDA	DDCCLK_C	VDD	DDCDAT_B	AUXB(n)	DDCDAT_C	DDCDAT_A	AUXA(n)

 6-1. 50-Pin µBGA ZXH Package (Top View)

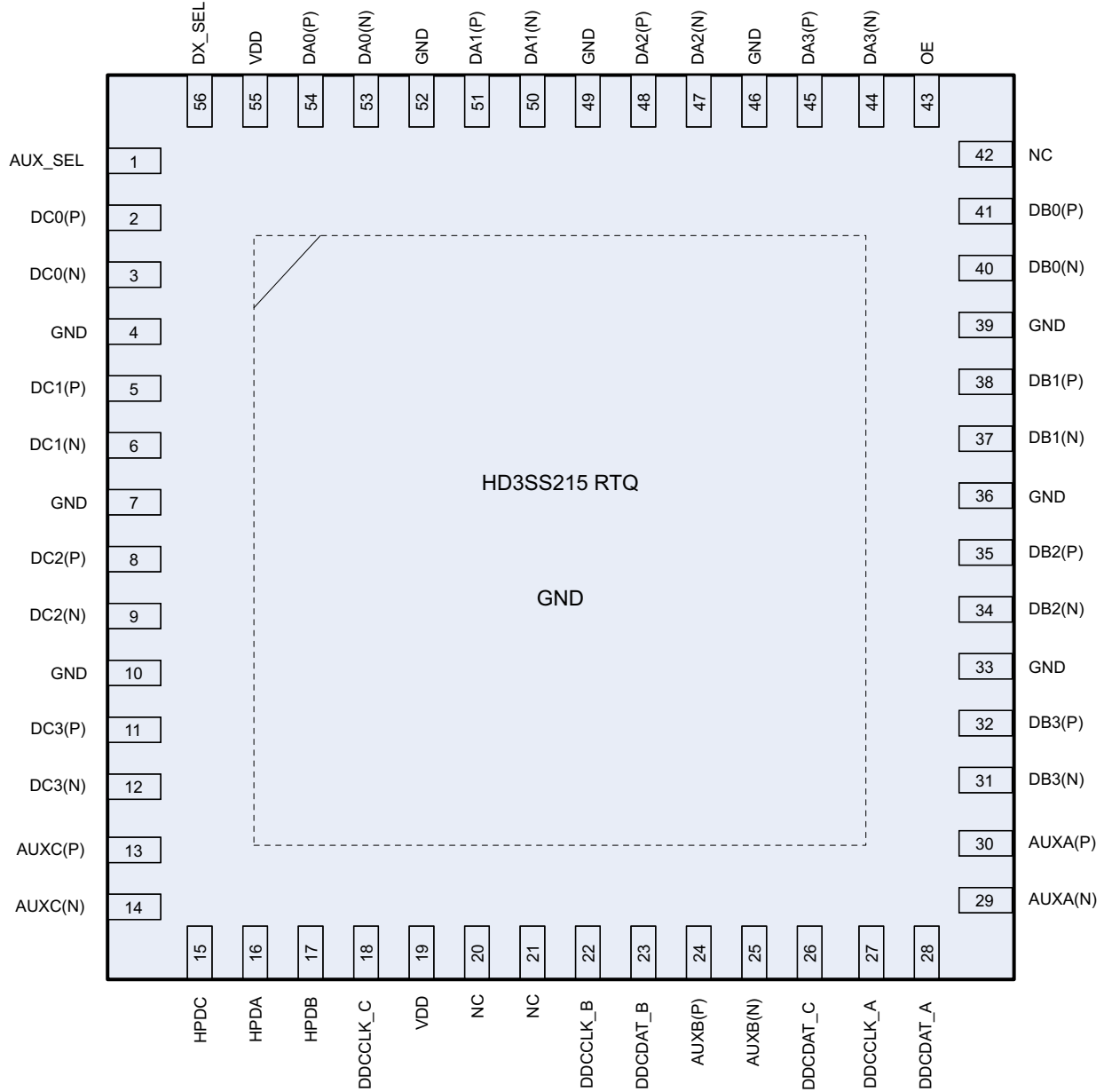


图 6-2. 56-Pin QFN RTQ Package (Top View)

表 6-1. Pin Functions

NAME	PIN		I/O	DESCRIPTION ⁽¹⁾
	ZXH	NO.		
Dx_SEL	A1	56	2 Level Control I	High Speed Port Selection Control Pins
AUX_SEL	C2	1	3 Level Control I	AUX/DDC Selection Control Pin in Conjunction with Dx_SEL Pin
DA0(p)	B4	54	I/O	Port A, Channel 0, High Speed Positive Signal
DA0(n)	A4	53		Port A, Channel 0, High Speed Negative Signal
DA1(p)	B5	51	I/O	Port A, Channel 1, High Speed Positive Signal
DA1(n)	A5	50		Port A, Channel 1, High Speed Negative Signal
DA2(p)	B6	48	I/O	Port A, Channel 2, High Speed Positive Signal
DA2(n)	A6	47		Port A, Channel 2, High Speed Negative Signal

表 6-1. Pin Functions (continued)

PIN			I/O	DESCRIPTION ⁽¹⁾
NAME	NO.			
	ZXH	RTQ		
DA3(p)	A8	45	I/O	Port A, Channel 3, High Speed Positive Signal
DA3(n)	A9	44		Port A, Channel 3, High Speed Negative Signal
DB0(p)	B8	41	I/O	Port B, Channel 0, High Speed Positive Signal
DB0(n)	B9	40		Port B, Channel 0, High Speed Negative Signal
DB1(p)	D8	38	I/O	Port B, Channel 1, High Speed Positive Signal
DB1(n)	D9	37		Port B, Channel 1, High Speed Negative Signal
DB2(p)	E8	35	I/O	Port B, Channel 2, High Speed Positive Signal
DB2(n)	E9	34		Port B, Channel 2, High Speed Negative Signal
DB3(p)	F8	32	I/O	Port B, Channel 3, High Speed Positive Signal
DB3(n)	F9	31		Port B, Channel 3, High Speed Negative Signal
DC0(p)	B2	2	I/O	Port C, Channel 0, High Speed Positive Signal
DC0(n)	B1	3		Port C, Channel 0, High Speed Negative Signal
DC1(p)	D2	5	I/O	Port C, Channel 1, High Speed Positive Signal
DC1(n)	D1	6		Port C, Channel 1, High Speed Negative Signal
DC2(p)	E2	8	I/O	Port C, Channel 2, High Speed Positive Signal
DC2(n)	E1	9		Port C, Channel 2, High Speed Negative Signal
DC3(p)	F2	11	I/O	Port C, Channel 3, High Speed Positive Signal
DC3(n)	F1	12		Port C, Channel 3, High Speed Negative Signal
AUXA(p)	H9	30	I/O	Port A AUX Positive Signal
AUXA(n)	J9	29		Port A AUX Negative Signal
AUXB(p)	H6	24	I/O	Port B AUX Positive Signal
AUXB(n)	J6	25		Port B AUX Negative Signal
AUXC(p)	H2	13	I/O	Port C AUX Positive Signal
AUXC(n)	H1	14		Port C AUX Negative Signal
DDCCLK_A	H8	27	I/O	Port A DDC Clock Signal
DDCDAT_A	J8	28		Port A DDC Data Signal
DDCCLK_B	H5	22	I/O	Port B DDC Clock Signal
DDCDAT_B	J5	23		Port B DDC Data Signal
DDCCLK_C	J3	18	I/O	Port C DDC Clock Signal
DDCDAT_C	J7	26		Port C DDC Data Signal
HPDA/B/C	J2, H3, J1	16, 17, 15	I/O	Port A/B/C Hot Plug Detect
OE	B7	43	I	Output Enable: OE = VIH: Normal Operation OE = VIL: Standby Mode
VDD	A2, J4	19, 55	Supply	3.3 V Positive power supply voltage
GND	B3, C8, G2, G8 H4, H7	4, 7, 10, 33, 36, 39, 46, 49, 52	Supply	Ground
NC		20, 21, 42		Not connected
Thermal Pad	–	–	GND	Supply Ground

(1) Only the high speed data DAz/DBz ports incorporate 20kΩ pull down resistors that are switched in when a port is not selected and switched out when the port is selected.

Pin Functions

NAME	PIN		I/O	DESCRIPTION ⁽¹⁾
	NO.			
	ZXH	RTQ		
Dx_SEL	A1	56	2 Level Control I	High Speed Port Selection Control Pins
AUX_SEL	C2	1	3 Level Control I	AUX/DDC Selection Control Pin in Conjunction with Dx_SEL Pin
DA0(p)	B4	54	I/O	Port A, Channel 0, High Speed Positive Signal
DA0(n)	A4	53		Port A, Channel 0, High Speed Negative Signal
DA1(p)	B5	51	I/O	Port A, Channel 1, High Speed Positive Signal
DA1(n)	A5	50		Port A, Channel 1, High Speed Negative Signal
DA2(p)	B6	48	I/O	Port A, Channel 2, High Speed Positive Signal
DA2(n)	A6	47		Port A, Channel 2, High Speed Negative Signal
DA3(p)	A8	45	I/O	Port A, Channel 3, High Speed Positive Signal
DA3(n)	A9	44		Port A, Channel 3, High Speed Negative Signal
DB0(p)	B8	41	I/O	Port B, Channel 0, High Speed Positive Signal
DB0(n)	B9	40		Port B, Channel 0, High Speed Negative Signal
DB1(p)	D8	38	I/O	Port B, Channel 1, High Speed Positive Signal
DB1(n)	D9	37		Port B, Channel 1, High Speed Negative Signal
DB2(p)	E8	35	I/O	Port B, Channel 2, High Speed Positive Signal
DB2(n)	E9	34		Port B, Channel 2, High Speed Negative Signal
DB3(p)	F8	32	I/O	Port B, Channel 3, High Speed Positive Signal
DB3(n)	F9	31		Port B, Channel 3, High Speed Negative Signal
DC0(p)	B2	2	I/O	Port C, Channel 0, High Speed Positive Signal
DC0(n)	B1	3		Port C, Channel 0, High Speed Negative Signal
DC1(p)	D2	5	I/O	Port C, Channel 1, High Speed Positive Signal
DC1(n)	D1	6		Port C, Channel 1, High Speed Negative Signal
DC2(p)	E2	8	I/O	Port C, Channel 2, High Speed Positive Signal
DC2(n)	E1	9		Port C, Channel 2, High Speed Negative Signal
DC3(p)	F2	11	I/O	Port C, Channel 3, High Speed Positive Signal
DC3(n)	F1	12		Port C, Channel 3, High Speed Negative Signal
AUXA(p)	H9	30	I/O	Port A AUX Positive Signal
AUXA(n)	J9	29		Port A AUX Negative Signal
AUXB(p)	H6	24	I/O	Port B AUX Positive Signal
AUXB(n)	J6	25		Port B AUX Negative Signal
AUXC(p)	H2	13	I/O	Port C AUX Positive Signal
AUXC(n)	H1	14		Port C AUX Negative Signal
DDCCLK_A	H8	27	I/O	Port A DDC Clock Signal
DDCDAT_A	J8	28		Port A DDC Data Signal
DDCCLK_B	H5	22	I/O	Port B DDC Clock Signal
DDCDAT_B	J5	23		Port B DDC Data Signal
DDCCLK_C	J3	18	I/O	Port C DDC Clock Signal
DDCDAT_C	J7	26		Port C DDC Data Signal
HPDA/B/C	J2, H3, J1	16, 17, 15	I/O	Port A/B/C Hot Plug Detect
OE	B7	43	I	Output Enable: OE = VIH: Normal Operation OE = VIL: Standby Mode
VDD	A2, J4	19, 55	Supply	3.3 V Positive power supply voltage
GND	B3, C8, G2, G8 H4, H7	4, 7, 10, 33, 36, 39, 46, 49, 52	Supply	Ground
NC		20, 21, 42		Not connected

NAME	PIN		I/O	DESCRIPTION ⁽¹⁾
	NO.			
	ZXH	RTQ		
Thermal Pad	–	–	GND	Supply Ground

- (1) Only the high speed data DAz/DBz ports incorporate 20kΩ pull down resistors that are switched in when a port is not selected and switched out when the port is selected.

7 Specifications

7.1 Absolute Maximum Ratings^{(1) (2)}

over operating free-air temperature range (unless otherwise noted)

		VALUE		UNIT
		MIN	MAX	
Supply voltage	V _{DD}	-0.5	4	V
Voltage	Differential I/O	-0.5	4	V
	AUX_SEL, Dx_SEL	-0.5	4	
	HPD _x , DDCCLK_X, DDCDAT_X	-0.5	6	
T _{stg}	Storage temperature	-65	150	°C

- (1) Stresses beyond those listed under absolute maximum ratings may cause permanent damage to the device. These are stress ratings only and functional operation of the device at these or any conditions beyond those indicated under recommended operating conditions is not implied. Exposure to absolute-maximum-rated conditions for extended periods may affect device reliability.
- (2) All voltage values, except differential voltages, are with respect to network ground pin.

7.2 ESD Ratings

			VALUE	UNIT
V _(ESD)	Electrostatic discharge	Human body model (HBM), per ANSI/ESDA/JEDEC JS-001, all pins ⁽¹⁾	±1500	V
		Charged device model (CDM), per JEDEC specification JESD22-C101, all pins ⁽²⁾	±1250	V

- (1) JEDEC document JEP155 states that 500-V HBM allows safe manufacturing with a standard ESD control process.
- (2) JEDEC document JEP157 states that 250-V CDM allows safe manufacturing with a standard ESD control process.

7.3 Recommended Operating Conditions

over operating free-air temperature range (unless otherwise noted)

		MIN	NOM	MAX	UNIT
V _{DD}	Main power supply	3	3.3	3.6	V
T _A	Operating free-air temperature	HD3SS215		70	°C
		HD3SS215I	-40	85	°C
C _{AC}	AC coupling capacitor	75	100	200	nF

7.4 Thermal Information

THERMAL METRIC ⁽¹⁾		HD3SS215		UNIT
		RTQ (56 PIN)	ZXH (50 PIN)	
R _{θJA}	Junction-to-ambient thermal resistance	90.5	69.9	°C/W
R _{θJC(top)}	Junction-to-case (top) thermal resistance	41.9	35.1	°C/W
R _{θJB}	Junction-to-board thermal resistance	53.9	40.4	°C/W
ψ _{JT}	Junction-to-top characterization parameter	1.8	1.6	°C/W
ψ _{JB}	Junction-to-board characterization parameter	53.4	40.2	°C/W

- (1) For more information about traditional and new thermal metrics, see the *IC Package Thermal Metrics* application report, [SPRA953](#).

7.5 Electrical Characteristics

Typical values for all parameters are at $V_{DD} = 3.3\text{ V}$ and $T_A = 25^\circ\text{C}$. All temperature limits are specified by design.

PARAMETER		TEST CONDITIONS	MIN	TYP	MAX	UNIT
V_{DD}	Supply voltage		3	3.3	3.6	V
V_{IH}	Input high voltage	Control Pins, Signal Pins (Dx_SEL, AUX_SEL, OE)	2		V_{DD}	V
		HPD and DDC	2		5.5	
V_{IM}	Input mid level voltage	AUX_SEL Pin (1)	$\frac{V_{DD}}{2} - 300\text{mV}$	$V_{DD}/2$	$\frac{V_{DD}}{2} + 300\text{mV}$	V
V_{IL}	Input low voltage	Control Pins, Signal Pins (Dx_SEL, AUX_SEL, OE)	-0.1		0.8	V
V_{I/O_Diff}	Differential voltage (Dx, AUXx)	Switch I/O diff voltage	0		1.8	Vpp
V_{CM}	Common voltage (Dx, AUXx)	Switch common mode voltage	0		3.3	V
I_{IH}	Input high current (Dx_SEL, AUX_SEL)	$V_{DD} = 3.6\text{ V}, V_{IN} = V_{DD}$			1	μA
I_{IM}	Input mid current (AUX_SEL)	$V_{DD} = 3.6\text{ V}, V_{IN} = V_{DD}/2$			1	
I_{IL}	Input low current (Dx_SEL, AUX_SEL)	$V_{DD} = 3.6\text{ V}, V_{IN} = \text{GND}$		0.01	1	
I_{LK}	Leakage current (Dx_SEL, AUX_SEL)	$V_{DD} = 3.6\text{ V}, V_{IN} = 2\text{ V}, \text{OE} = 3.3\text{ V}$		0.01	2	
		$V_{DD} = 3.6\text{ V}, V_{IN} = 2\text{ V}, \text{OE} = 0\text{ V}$		0.01	2	
	Leakage current (HPDx/DDCx)	$V_{DD} = 3.6\text{ V}, V_{IN} = 2\text{ V}, \text{OE} = 0\text{ V};$ Dx_SEL = 3.3 V		0.01	5	
		$V_{DD} = 3.6\text{ V}, V_{IN} = 2\text{ V}, \text{OE} = 3.3\text{ V};$ Dx_SEL = GND		0.01	5	
I_{OFF}	Device shut down current	$V_{DD} = 3.6\text{ V}, \text{OE} = \text{GND}$			8	
I_{DD}	Supply current	$V_{DD} = 3.6\text{ V},$ Dx_SEL = V_{DD} ; AUX_SEL = GND; Outputs Floating		2.5	3.2	mA
DA, DB, DC HIGH SPEED SIGNAL PATH						
R_{ON}	ON resistance	$V_{CM} = 0\text{ V} - 3.3\text{ V},$ $I_O = -1\text{mA}$		8	14	Ω
ΔR_{ON}	On resistance match between pairs of the same channel	$V_{CM} = 0\text{ V} - 3.3\text{ V},$ $I_O = -1\text{mA}$			1.5	Ω
R_{FLAT_ON}	On resistance flatness ($R_{ON(MAX)} - R_{ON(MAIN)}$)	$V_{CM} = 0\text{ V} - 3.3\text{ V}$		1.3		Ω
AUXx, DDC, SIGNAL PATH						
$R_{ON(AUX)}$	ON resistance on AUX channel	$V_{CM} = 0\text{ V} - 3.3\text{ V},$ $I_O = -8\text{mA}$		5	8	Ω
$R_{ON(DDC)}$	ON resistance on DDC channel	$V_{CM} = 0.4\text{ V}, I_O = -3\text{mA}$		30	40	Ω

(1) This pin can be driven to the specified level or 10 k Ω . Pull up and pull downs can be used. It cannot be left floating.

7.6 Electrical Characteristics, Device Parameters⁽¹⁾

Under recommended operating conditions; R_{LOAD} , $R_{SC} = 50 \Omega$ (unless otherwise noted)

PARAMETER		TEST CONDITIONS	MIN	TYP	MAX	UNIT
RL	Dx Differential return loss	ZXH package	1.35 GHz	-15		dB
			3 GHz	-12		
		RTQ package	1.35 GHz	-17		
			3 GHz	-13		
X _{TALK}	Dx Differential crosstalk	ZXH package	2.7 GHz	-35		dB
		RTQ package		-35		
O _{IRR}	Dx Differential off-isolation	ZXH package	3 GHz	-21		dB
		RTQ package		-16		
I _L	Dx Differential insertion loss	ZXH package	f = 1.35 GHz	-1.2		dB
			f = 3 GHz	-1.6		
		RTQ package	f = 1.35 GHz	-2		dB
			f = 3 GHz	-2.4		
BW _{Dx}	Dx Differential -3-dB bandwidth	ZXH package		7		GHz
		RTQ package		5		
BW _{AUX}	AUX -3-dB bandwidth			720		MHz

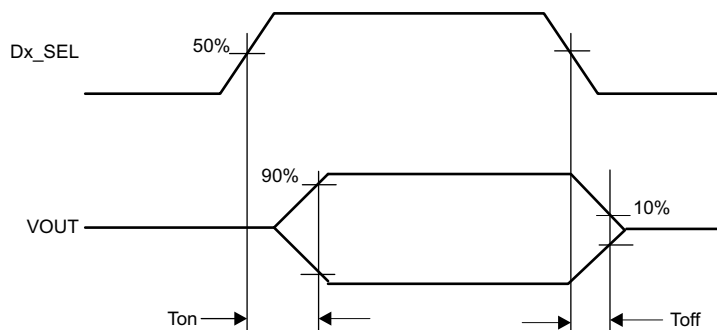
(1) For Return Loss, Crosstalk, Off-Isolation, and Insertion Loss values the data was collected on a Rogers material board with minimum length traces on the input and output of the device under test.

7.7 Switching Characteristics

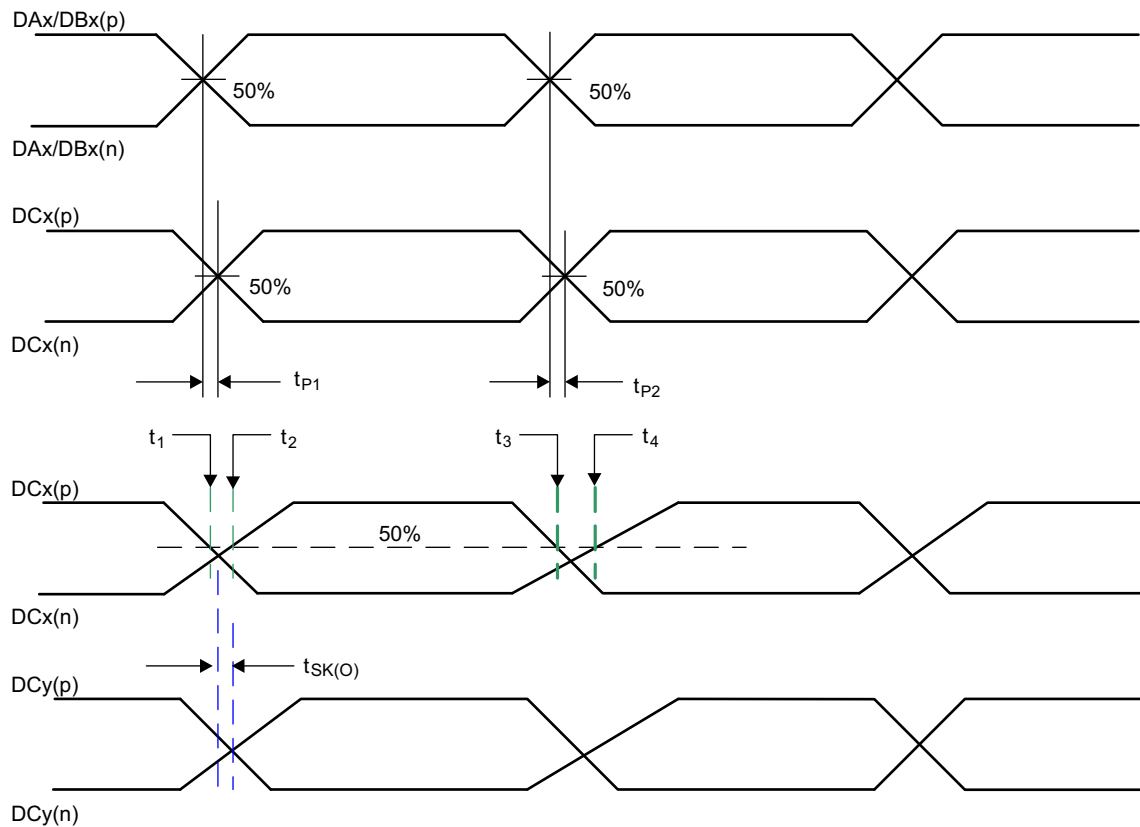
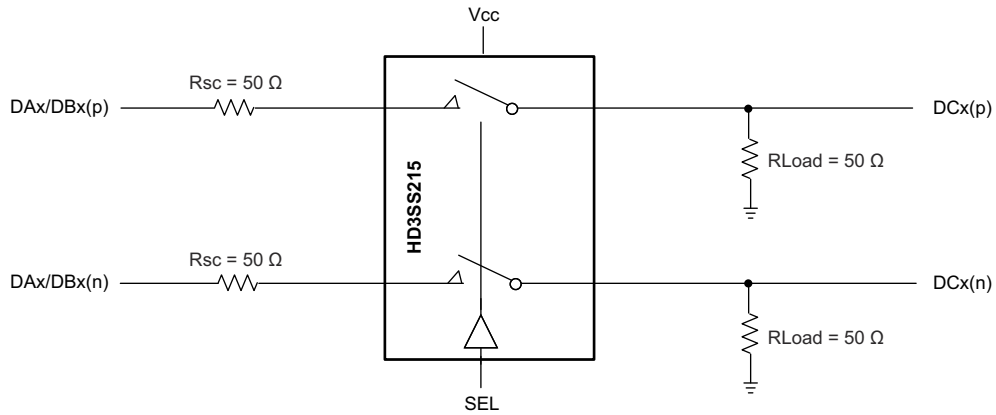
Under recommended operating conditions; R_{LOAD} , $R_{SC} = 50 \Omega$ (unless otherwise noted)

PARAMETER	TEST CONDITIONS	MIN	TYP	MAX	UNIT
t _{PD}	Switch propagation delay R_{SC} and $R_{LOAD} = 50 \Omega$, See 7-2			200	ps
t _{on(OE_L-H)}	Time from OE toggling High and valid data at the outputs R_{SC} and $R_{LOAD} = 50 \Omega$, $V_{CM} = 3 V - 3.3 V$		1	2	μs
t _{off(OE_H-L)}	Time from OE toggling Low and outputs are in Z-state		15	50	
t _{SWITCH_OVER}	Time to switch between ports when DX_SEL or AUX_SEL state is changed for Data, AUX, DDC signals R_{SC} and $R_{LOAD} = 50 \Omega$, See 7-1		0.7	1	μs
t _{on}	Dx_SEL/AUX_SEL-to-Switch t _{on} (HPD) $R_{LOAD} = 125k \Omega$, See 7-1		0.7	1	μs
t _{off}	Dx_SEL/AUX_SEL-to-Switch t _{off} (HPD)		0.7	20	
t _{SK(O)}	Inter-Pair output skew (CH-CH) R_{SC} and $R_{LOAD} = 50 \Omega$, See 7-2			30	ps
t _{SK(b-b)}	Intra-Pair output skew (bit-bit)		1	5	

7.8 Timing Diagrams



7-1. Select to Switch t_{on} and t_{off}



$$t_{PD} = \text{Max}(t_{p1}, t_{p2})$$

$t_{SK(O)}$ = Difference between t_{PD} for any two pairs of outputs

$$t_{SK(b-b)} = 0.5 \times |(t_4 - t_3) + (t_1 - t_2)|$$

7-2. Propagation Delay and Skew

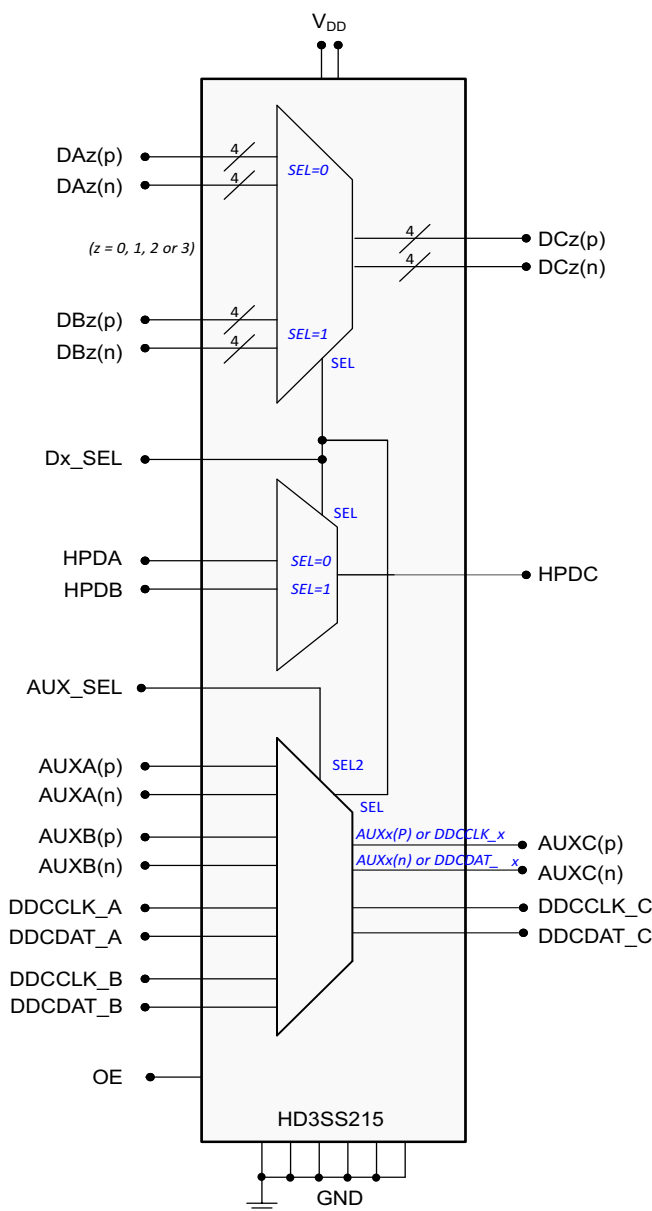
8 Detailed Description

8.1 Overview

The HD3SS215 is a generic analog, differential passive switch that can work for any high speed interface applications, as long as it is biased at a common mode voltage range of 0 V to 3.3 V and has differential signaling with differential amplitude up to 1800 mV_{pp}. It employs adaptive tracking that maintains the high speed channel impedance over the entire common mode voltage range. In high-speed applications and data paths, signal integrity is an important concern. The switch offers excellent dynamic performance such as high isolation, crosstalk immunity, and minimal bit-bit skew. These characteristics allow the device to function seamlessly in the system without compromising signal integrity. The 2:1/1:2, mux/de-mux device operates with ports A or B switched to port C, or port C switched to either port A or B. This flexibility allows an application to select between one of two Sources on ports A and B and send the output to the sink on port C. Similarly, a Source on port C can select between one of two Sink devices on ports A and B to send the data. To comply with DisplayPort, DP++ and HDMI applications, the HD3SS215 also switches AUX, HPD, and DDC along with the high-speed differential signals. The HPD and data signals are both switched through the Dx_SEL pin. AUX and DDC are controlled with AUX_SEL and Dx_SEL. The Functional Modes section contains information on how to set the control pins.

With an OE control pin, the HD3SS215 is operational, with low active current, when this pin is high. When OE is pulled lowed, the device goes into standby mode and draws very little current in order to save power consumption in the application.

8.2 Functional Block Diagram



The high speed data ports incorporate 20kΩ pull down resistors that are switched in when a port is not selected and switched out when the port is selected.

8-1. Functional Block Diagram

8.3 Feature Description

8.3.1 High Speed Switching

The HD3SS215 supports switching of 6 Gbps data rates. The wide common mode of the device enables it to support TMDS signal levels and DisplayPort signals. The high speed muxing is designed with a wide –3dB differential bandwidth of 7 GHz and industry leading dynamic characteristics. All of these attributes help maintain signal integrity in the application. Each high speed port incorporates 20kΩ pull down resistors that are switched in when the port is not selected and switched out when the port is selected.

8.3.2 HPD, AUX, and DDC Switching

HPD, AUX and DDC switching is supported through the HD3SS215. This enables the device to work in multiple application scenarios within multiple electrical standards. The AUXA/B and DDCA/B lines can both be switched to the AUXC port. This feature supports DP++ or AUX only adapters. For HDMI applications, the DDC channels are switched to the DDC_C port only and the AUX channel can remain active or the end user can make it float.

8.3.3 Output Enable and Power Savings

The HD3SS215 has two power modes, active/normal operating mode, and standby mode. During standby mode, the device consumes very little current to save the maximum power. To enter standby mode, the OE control pin is pulled low and must remain low. For active/normal operation, the OE control pin should be pulled high to VDD through a resistor.

8.4 Device Functional Modes

8.4.1 Switch Control Modes

Refer to the [セクション 8.2](#).

The HD3SS215 behaves as a two to one or one to two differential switch using high bandwidth pass gates. The input ports are selected using the AUX_SEL pin and Dx_SEL pin which are shown in [表 8-1](#).

表 8-1. Switch Control Logic^{(1) (2) (3)}

CONTROL LINES ⁽⁴⁾		SWITCHED I/O PINS								
AUX_SEL	Dx_SEL	DCz(p) Pin z = 0, 1, 2 or 3	DCz(n) Pin z = 0, 1, 2 or 3	HPDC Pin	AUXA	AUXB	AUXC	DDCA	DDCB	DDCC
L	L	DAz(p)	DAz(n)	HPDA	To/From AUXC	Z	To/From AUXA	Z	Z	Z
L	H	DBz(p)	DBz(n)	HPDB	Z	To/From AUXC	To/From AUXB	Z	Z	Z
H	L	DAz(p)	DAz(n)	HPDA	Z	Z	To/From DDCA	To/From AUXC	Z	Z
H	H	DBz(p)	DBz(n)	HPDB	Z	Z	To/From DDCB	Z	To/From AUXC	Z
M ⁽⁴⁾	L	DAz(p)	DAz(n)	HPDA	To/From AUXC	Z	To/From AUXA	To/From DDCC	Z	To/From DDCA
M ⁽⁴⁾	H	DBz(p)	DBz(n)	HPDB	Z	To/From AUXC	To/From AUXB	Z	To/From DDCC	To/From DDCB

(1) Z = High Impedance

(2) OE pin - For normal operation, drive OE high. Driving the OE pin low will disable the switch.

(3) The ports which are not selected by the control lines will be in high impedance status.

(4) For HDMI application, keep the AUX_SEL at middle level voltage. The AUX channel is still active, and the end user can make the lines float.

9 Applications and Implementation

注

Information in the following applications sections is not part of the TI component specification, and TI does not warrant its accuracy or completeness. TI's customers are responsible for determining suitability of components for their purposes. Customers should validate and test their design implementation to confirm system functionality.

9.1 Application Information

The HD3SS215 can be used in a variety of applications. This section shows the typical applications for DisplayPort, DP++, and HDMI. The example diagrams illustrate using the HD3SS215 in a two source to one sink application and a one source to two sinks application. All schematics are using the ZXH pin-out.

9.2 Typical Applications

9.2.1 DisplayPort and Dual Mode Adapter with Two Sources

The application schematic below shows the HD3SS215 in the 2:1 configuration for DisplayPort switching. The HD3SS215 receives inputs from DP Source A and DP Source B. The control pins of the device can be set to select Source A/B inputs and transfer them to port C through the Dx_SEL control pin. The schematic also shows the CONFIG1 and AUX_SEL settings to configure the HD3SS215 to work with DP++ Type 2 and Type1 adapters. For this specific schematic, the AC capacitors needed on the MainLink signal lines are shown on the Sink side of the HD3SS215. This is done to decrease the BOM. If desired the AC capacitors maybe placed in the signal path on the Source A/B side of HD3SS215. Additional diagrams are provided to show the configuration of the AUX channel for 2:1 and 1:2 DisplayPort only applications.

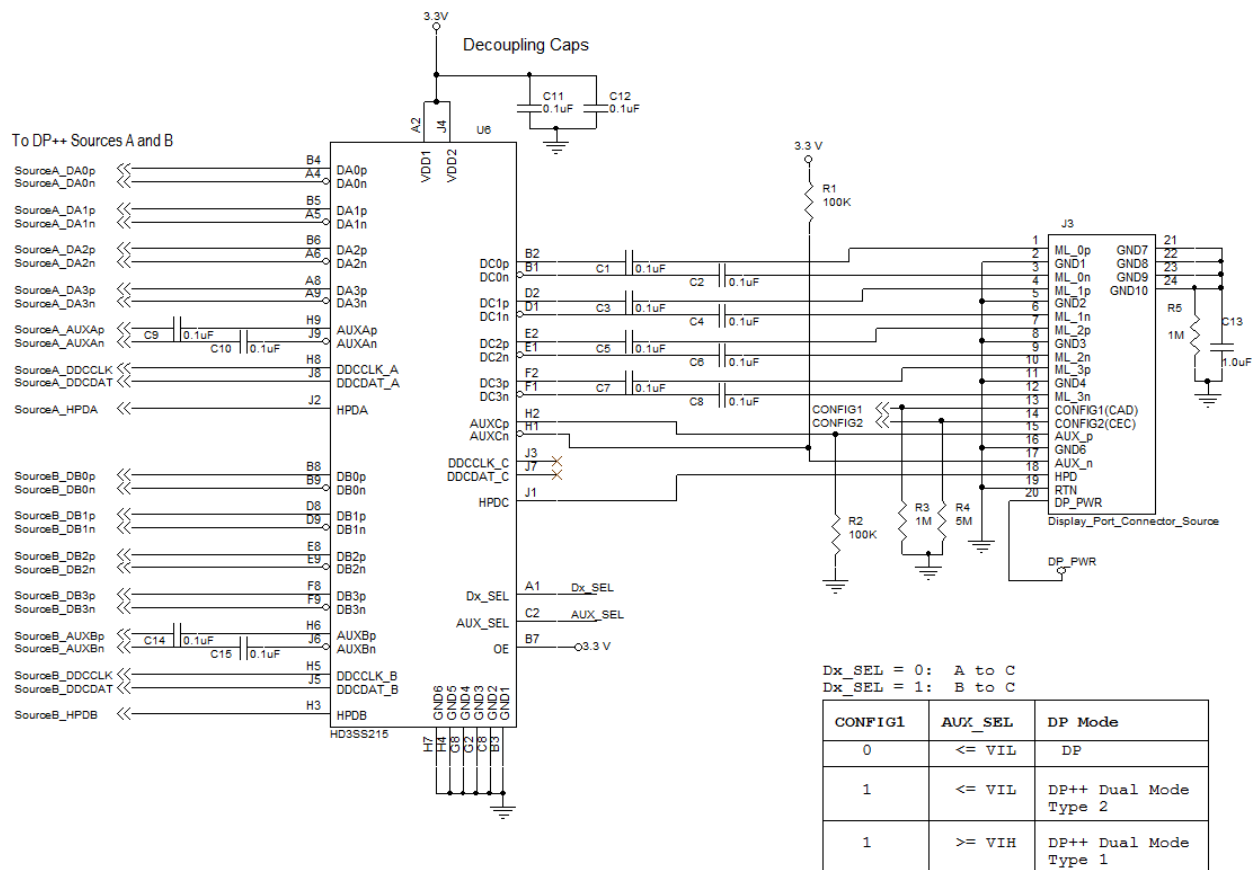
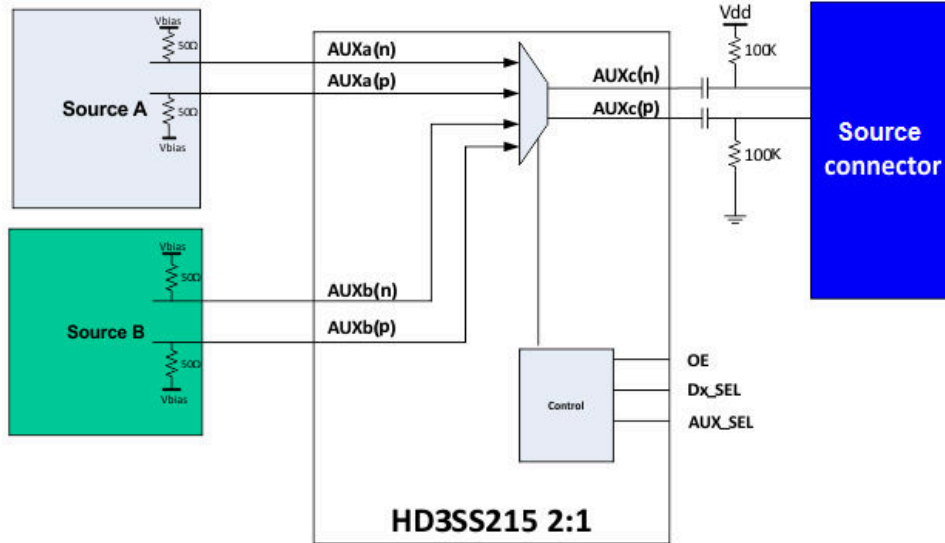
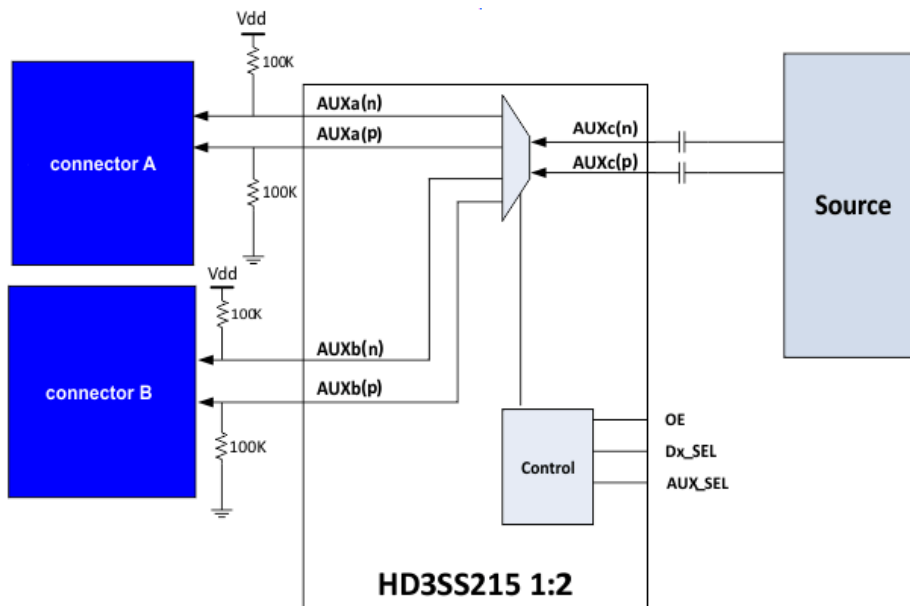


图 9-1. HD3SS215 Application Diagram for DisplayPort or Dual Mode Adapter Configuration



 **9-2. HD3SS215 AUX Channel in 2:1 DisplayPort Application**



 **9-3. HD3SS215 AUX Channel in 1:2 DisplayPort Application**

9.2.1.1 Design Requirements

表 9-1. Design Parameters

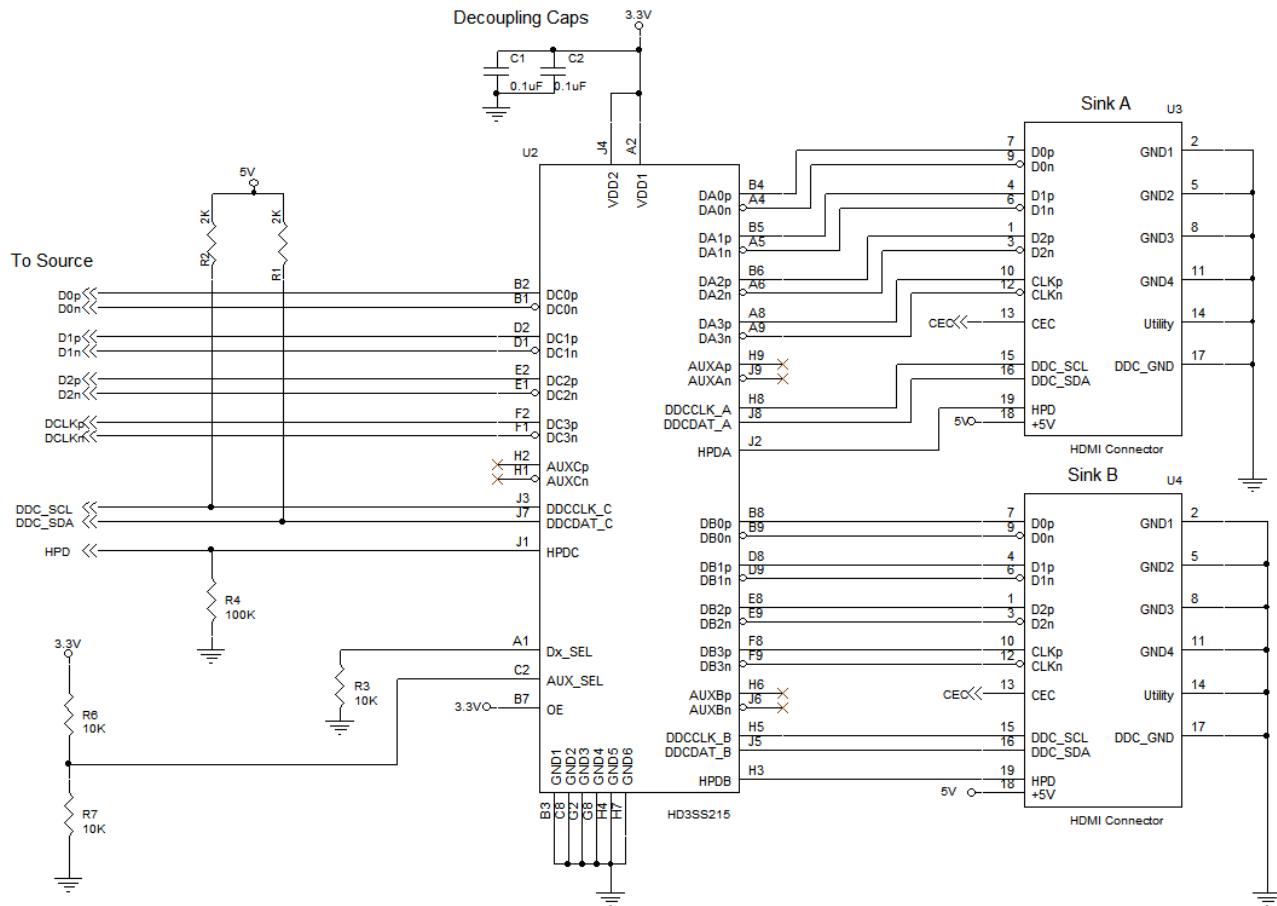
DESIGN PARAMETER	EXAMPLE VALUE
VDD	3.3 V
Decoupling Capacitors	0.1 μ F
AC Capacitors	75 nF to 200 nF (100 nF shown)
AUX Pull-Up/Pull-Down Resistors	10 k Ω to 105 k Ω (100 k Ω shown)
Pull-Up/Pull-Down Resistors for Control Pins	10 k Ω
CONFIG1/CONFIG2 Pull-Down Resistors	1 M Ω and 5 M Ω

9.2.1.2 Detailed Design Procedure

The HD3SS215 is designed to operate with a 3.3 V power supply. Levels above those listed in the Absolute Ratings table should not be used. If using a higher voltage system power supply, a voltage regulator can be used to step down to 3.3 V. Decoupling capacitors may be used to reduce noise and improve power supply integrity. AC capacitors must be placed on the MainLink lines. Additionally, AC capacitors are placed on the AUXC lines. After the blocking capacitors, the AUXCp line must be pulled down weakly through a resistor to ground, and the AUXCn line must be pulled up weakly through a resistor to VDD. The voltage level of the control pins, AUX_SEL and Dx_SEL should be set according to the application and muxing desired. For a DisplayPort connector, the CONFIG1 and CONFIG2 pins should be pulled to ground through resistors. For Dual Mode adapter implementation, the CONFIG1 line may be used to perform cable adapter detection. The CONFIG2 line can be configured for an HDMI adaptor or left as a no connect for a DVI adapter. The CONFIG2 pin on the connector should be pulled up or left floating accordingly for Dual Mode adapter configuration.

9.2.2 HDMI Application with Two Sinks

The HD3SS215 can be placed in applications needing to switch between two sinks. In this example, the HDMI source selects between Sink A or Sink B in the 1:2 configuration.



Control for AUX_SEL and Dx_SEL. Setup to select Sink A shown.

图 9-4. Application Diagram for a 1:2 Configuration with HDMI Source and Connectors

9.2.2.1 Design Requirements

表 9-2. Design Parameters

DESIGN PARAMETER	EXAMPLE VALUE
VDD	3.3 V
Decoupling Capacitors	0.1 μ F
DDC Pull-Up Resistors	1.5 k Ω to 2 k Ω to 5 V (2 k Ω shown)
Pull-Up/Pull-Down Resistors for Control Pins	10 k Ω
HPD Pull-Down Resistor	100 k Ω

9.2.2.2 Detailed Design Procedure

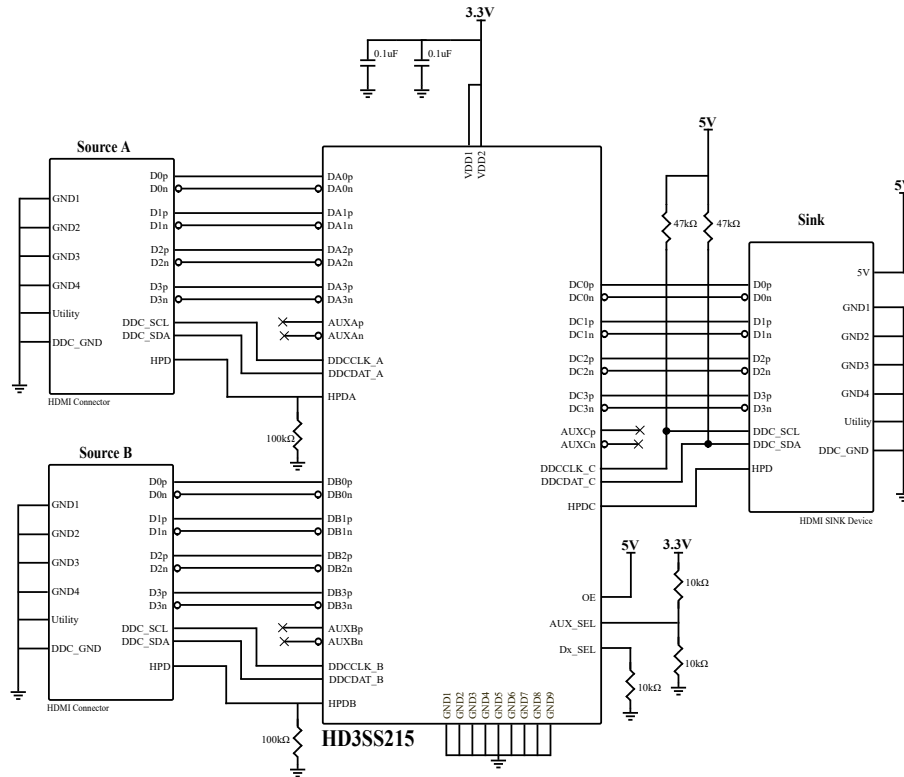
The HD3SS215 is designed to operate with a 3.3 V power supply. Levels above those listed in the Absolute Ratings table should not be used. If using a higher voltage system power supply, a voltage regulator can be used to step down to 3.3 V. Decoupling capacitors may be used to reduce noise and improve power supply integrity. Pull-up resistors to 5 V must be placed on the source side DDC clock and data lines according to the HDMI2.0 Standard. A weak pull down resistor should be placed on the source side HPD line. This is to ensure the source

can differentiate between when HPD is disconnected or at a high voltage level. The AUX_SEL and Dx_SEL control pins should be set according to the application and desired muxing.

9.2.3

9.2.4 HDMI 2:1 Sink Application Using the RTQ Package

The HD3SS215 can be placed in applications needing to switch between two HDMI connectors and one Generic HDMI sink.



AUX_SEL and Dx_SEL configured for A to C

9-5. HDMI 2:1 Sink Application Using the RTQ Package

注

According to the HDMI specification the DDC 2-kΩ pullup resistors can be replaced by 47-kΩ pullups. 9-5 schematic and 10-3 PCB layout example shows 47-kΩ pullup resistors.

Power Supply Recommendations

The HD3SS215 is designed to operate with a 3.3-V power supply. Levels above those listed in the Absolute Ratings table should not be used. If using a higher voltage system power supply, a voltage regulator can be used to step down to 3.3 V. Decoupling capacitors must be used to reduce power supply noise.

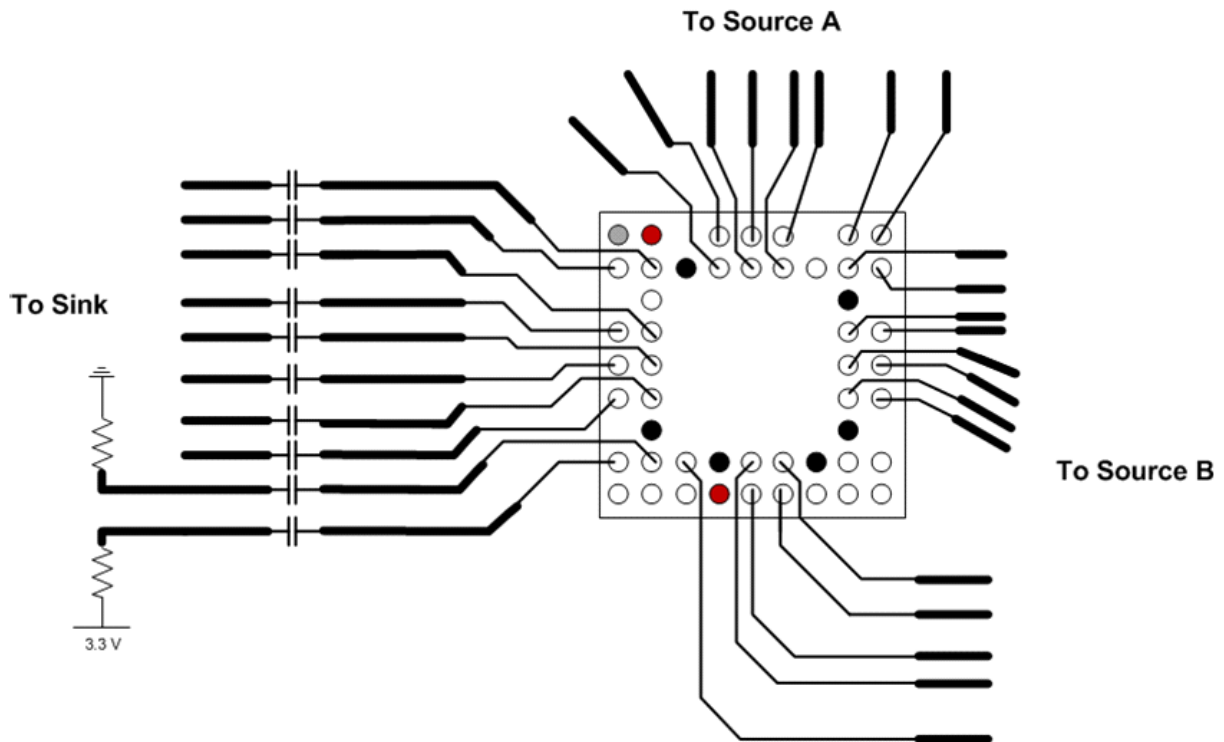
10 Layout

10.1 Layout Guidelines

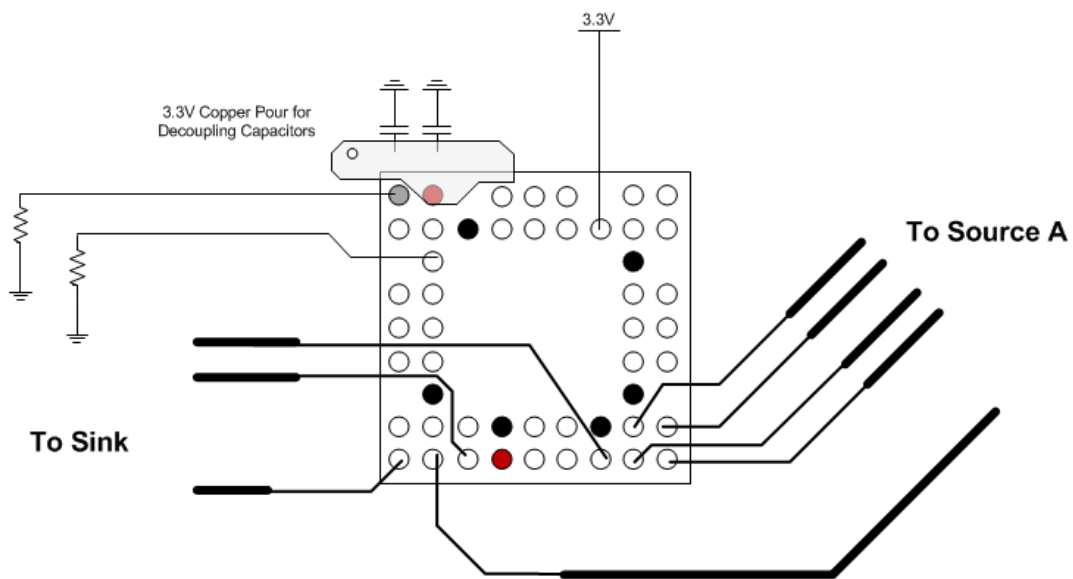
- The ESD and EMI protection devices (if used) should be placed as close as possible to the connector.
- Place voltage regulators as far away as possible from the high-speed differential pairs.
- It is recommended that small decoupling capacitors for the HD3SS215 power rail be placed close to the device.
- The high-speed differential signal traces should be routed on the top layer to avoid the use of vias and allow clean interconnects to the mux.
- The high speed differential signal traces should be routed parallel to each other as much as possible. It is recommended the traces be symmetrical.
- In order to control impedance for transmission lines, a solid ground plane should be placed next to the high-speed signal layer. This also provides an excellent low-inductance path for the return current flow.
- The power plane should be placed next to the ground plane to create additional high-frequency bypass capacitance.
- Adding test points will cause impedance discontinuity and will therefore negatively impact signal performance. If test points are used, they should be placed in series and symmetrically. They must not be placed in a manner that causes stubs on the differential pair.
- Avoid 90 degree turns in traces. The use of bends in differential traces should be kept to a minimum. When bends are used, the number of left and right bends should be as equal as possible and the angle of the bend should be ≥ 135 degrees. This will minimize any length mismatch caused by the bends and therefore minimize the impact bends have on EMI.

10.2 Layout Example

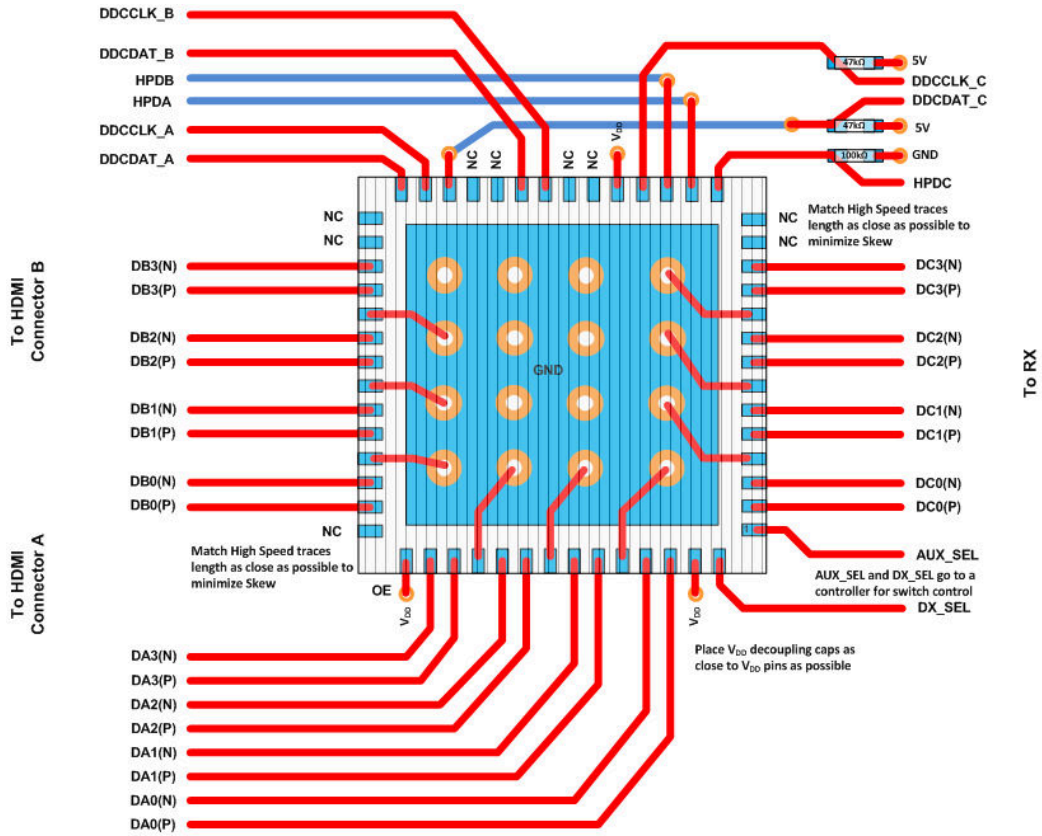
An example layout for the HD3SS215 shows the device implemented on a 4-layer board. The layout figures follow the DisplayPort application schematic above. The top layer layout view shows the signal routing for two sources and one sink. The bottom layer layout view shows the remaining signal routing and a copper pour implemented for the decoupling capacitors.



10-1. Top Layer Layout View



10-2. Bottom Layer Layout View



10-3. RTQ Layout for 2:1 HDMI Sink Application

11 Device and Documentation Support

11.1 Community Resources

11.2 Trademarks

すべての商標は、それぞれの所有者に帰属します。

12 Mechanical, Packaging, and Orderable Information

The following pages include mechanical packaging and orderable information. This information is the most current data available for the designated devices. This data is subject to change without notice and revision of this document. For browser-based versions of this data sheet, refer to the left-hand navigation.

PACKAGING INFORMATION

Orderable Device	Status (1)	Package Type	Package Drawing	Pins	Package Qty	Eco Plan (2)	Lead finish/ Ball material (6)	MSL Peak Temp (3)	Op Temp (°C)	Device Marking (4/5)	Samples
HD3SS215IRTQR	ACTIVE	QFN	RTQ	56	2000	RoHS & Green	NIPDAU	Level-3-260C-168 HR	-40 to 85	HD3SS215I	Samples
HD3SS215IRTQT	ACTIVE	QFN	RTQ	56	250	RoHS & Green	NIPDAU	Level-3-260C-168 HR	-40 to 85	HD3SS215I	Samples
HD3SS215IZXHR	ACTIVE	NFBGA	ZXH	50	2500	RoHS & Green	SNAGCU	Level-3-260C-168 HR	-40 to 85	HD3SS215I	Samples
HD3SS215IZXHT	ACTIVE	NFBGA	ZXH	50	250	RoHS & Green	SNAGCU	Level-3-260C-168 HR	-40 to 85	HD3SS215I	Samples
HD3SS215RTQR	ACTIVE	QFN	RTQ	56	2000	RoHS & Green	NIPDAU	Level-3-260C-168 HR	0 to 70	HD3SS215	Samples
HD3SS215RTQT	ACTIVE	QFN	RTQ	56	250	RoHS & Green	NIPDAU	Level-3-260C-168 HR	0 to 70	HD3SS215	Samples
HD3SS215ZXHR	ACTIVE	NFBGA	ZXH	50	2500	RoHS & Green	SNAGCU	Level-3-260C-168 HR	0 to 70	HD3SS215	Samples

(1) The marketing status values are defined as follows:

ACTIVE: Product device recommended for new designs.

LIFEBUY: TI has announced that the device will be discontinued, and a lifetime-buy period is in effect.

NRND: Not recommended for new designs. Device is in production to support existing customers, but TI does not recommend using this part in a new design.

PREVIEW: Device has been announced but is not in production. Samples may or may not be available.

OBSOLETE: TI has discontinued the production of the device.

(2) **RoHS:** TI defines "RoHS" to mean semiconductor products that are compliant with the current EU RoHS requirements for all 10 RoHS substances, including the requirement that RoHS substance do not exceed 0.1% by weight in homogeneous materials. Where designed to be soldered at high temperatures, "RoHS" products are suitable for use in specified lead-free processes. TI may reference these types of products as "Pb-Free".

RoHS Exempt: TI defines "RoHS Exempt" to mean products that contain lead but are compliant with EU RoHS pursuant to a specific EU RoHS exemption.

Green: TI defines "Green" to mean the content of Chlorine (Cl) and Bromine (Br) based flame retardants meet JS709B low halogen requirements of <=1000ppm threshold. Antimony trioxide based flame retardants must also meet the <=1000ppm threshold requirement.

(3) MSL, Peak Temp. - The Moisture Sensitivity Level rating according to the JEDEC industry standard classifications, and peak solder temperature.

(4) There may be additional marking, which relates to the logo, the lot trace code information, or the environmental category on the device.

(5) Multiple Device Markings will be inside parentheses. Only one Device Marking contained in parentheses and separated by a "~" will appear on a device. If a line is indented then it is a continuation of the previous line and the two combined represent the entire Device Marking for that device.

⁽⁶⁾ Lead finish/Ball material - Orderable Devices may have multiple material finish options. Finish options are separated by a vertical ruled line. Lead finish/Ball material values may wrap to two lines if the finish value exceeds the maximum column width.

Important Information and Disclaimer:The information provided on this page represents TI's knowledge and belief as of the date that it is provided. TI bases its knowledge and belief on information provided by third parties, and makes no representation or warranty as to the accuracy of such information. Efforts are underway to better integrate information from third parties. TI has taken and continues to take reasonable steps to provide representative and accurate information but may not have conducted destructive testing or chemical analysis on incoming materials and chemicals. TI and TI suppliers consider certain information to be proprietary, and thus CAS numbers and other limited information may not be available for release.

In no event shall TI's liability arising out of such information exceed the total purchase price of the TI part(s) at issue in this document sold by TI to Customer on an annual basis.

TAPE AND REEL INFORMATION

QUADRANT ASSIGNMENTS FOR PIN 1 ORIENTATION IN TAPE

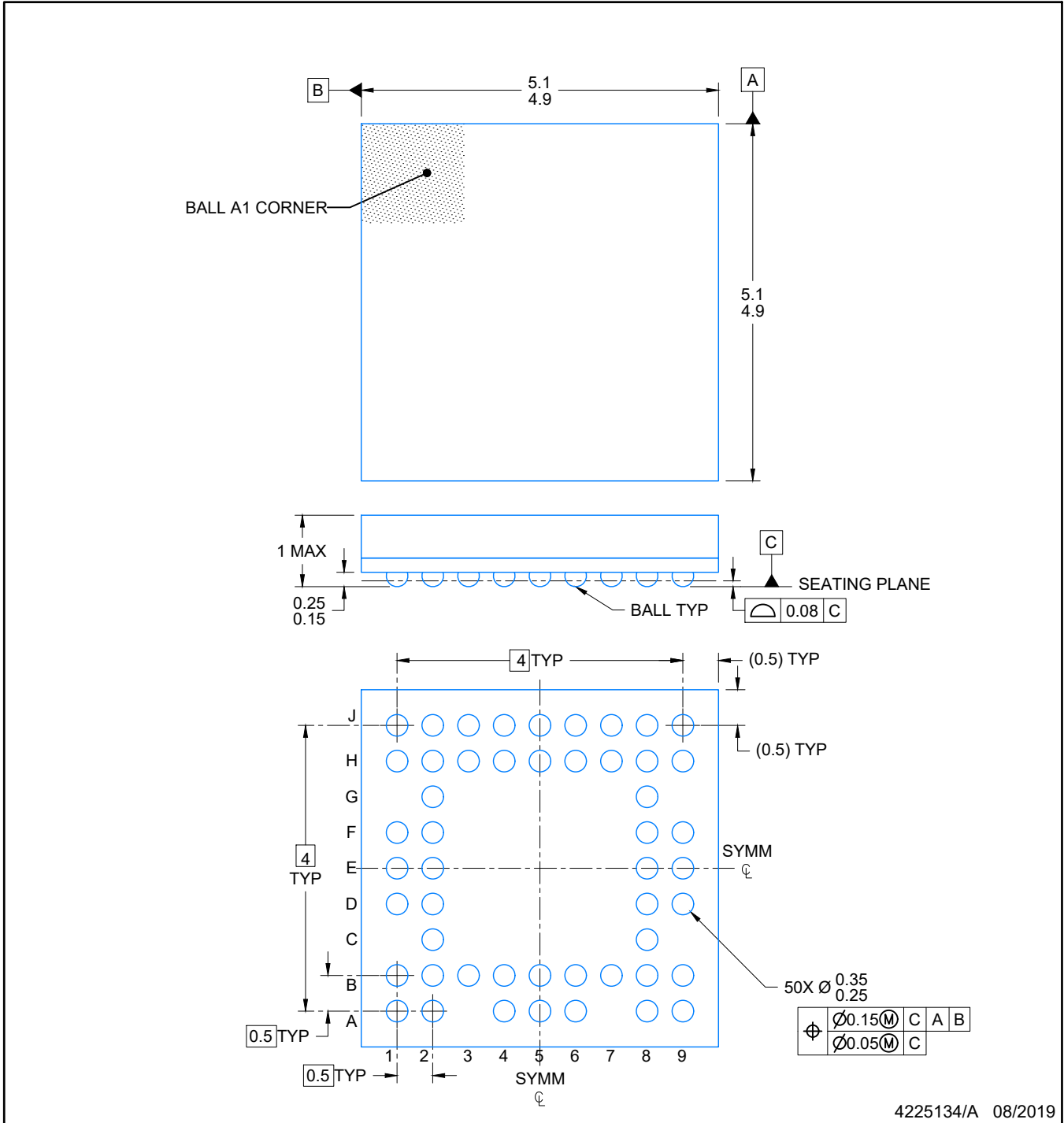

*All dimensions are nominal

Device	Package Type	Package Drawing	Pins	SPQ	Reel Diameter (mm)	Reel Width W1 (mm)	A0 (mm)	B0 (mm)	K0 (mm)	P1 (mm)	W (mm)	Pin1 Quadrant
HD3SS215IRTQR	QFN	RTQ	56	2000	330.0	16.4	8.3	8.3	1.1	12.0	16.0	Q2
HD3SS215IRTQT	QFN	RTQ	56	250	180.0	16.4	8.3	8.3	1.1	12.0	16.0	Q2
HD3SS215IZXHR	NFBGA	ZXH	50	2500	330.0	12.4	5.3	5.3	1.5	8.0	12.0	Q1
HD3SS215IZXHT	NFBGA	ZXH	50	250	330.0	12.4	5.3	5.3	1.5	8.0	12.0	Q1
HD3SS215RTQR	QFN	RTQ	56	2000	330.0	16.4	8.3	8.3	1.1	12.0	16.0	Q2
HD3SS215RTQT	QFN	RTQ	56	250	180.0	16.4	8.3	8.3	1.1	12.0	16.0	Q2
HD3SS215ZXHR	NFBGA	ZXH	50	2500	330.0	12.4	5.3	5.3	1.5	8.0	12.0	Q1

TAPE AND REEL BOX DIMENSIONS


*All dimensions are nominal

Device	Package Type	Package Drawing	Pins	SPQ	Length (mm)	Width (mm)	Height (mm)
HD3SS215IRTQR	QFN	RTQ	56	2000	367.0	367.0	38.0
HD3SS215IRTQT	QFN	RTQ	56	250	210.0	185.0	35.0
HD3SS215IZXHR	NFBGA	ZXH	50	2500	336.6	336.6	31.8
HD3SS215IZXHT	NFBGA	ZXH	50	250	336.6	336.6	31.8
HD3SS215RTQR	QFN	RTQ	56	2000	367.0	367.0	38.0
HD3SS215RTQT	QFN	RTQ	56	250	210.0	185.0	35.0
HD3SS215ZXHR	NFBGA	ZXH	50	2500	336.6	336.6	31.8

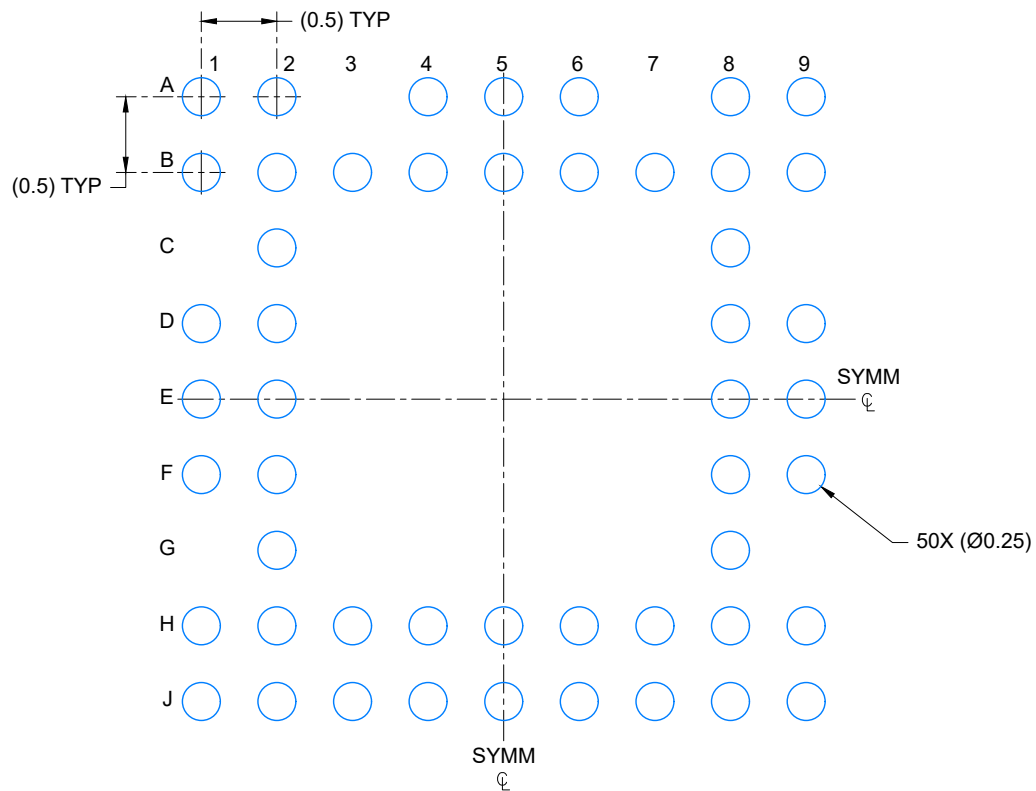


4225134/A 08/2019

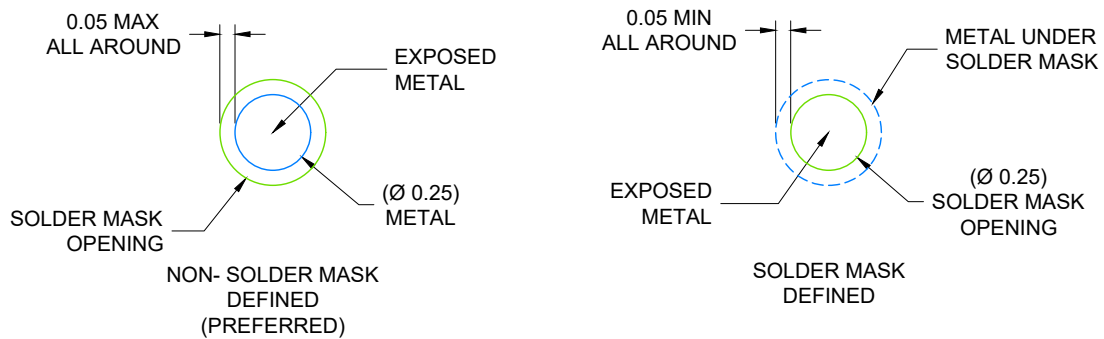
NOTES:

NanoFree is a trademark of Texas Instruments.

1. All linear dimensions are in millimeters. Any dimensions in parenthesis are for reference only. Dimensioning and tolerancing per ASME Y14.5M.
2. This drawing is subject to change without notice.



LAND PATTERN EXAMPLE
SCALE: 20X

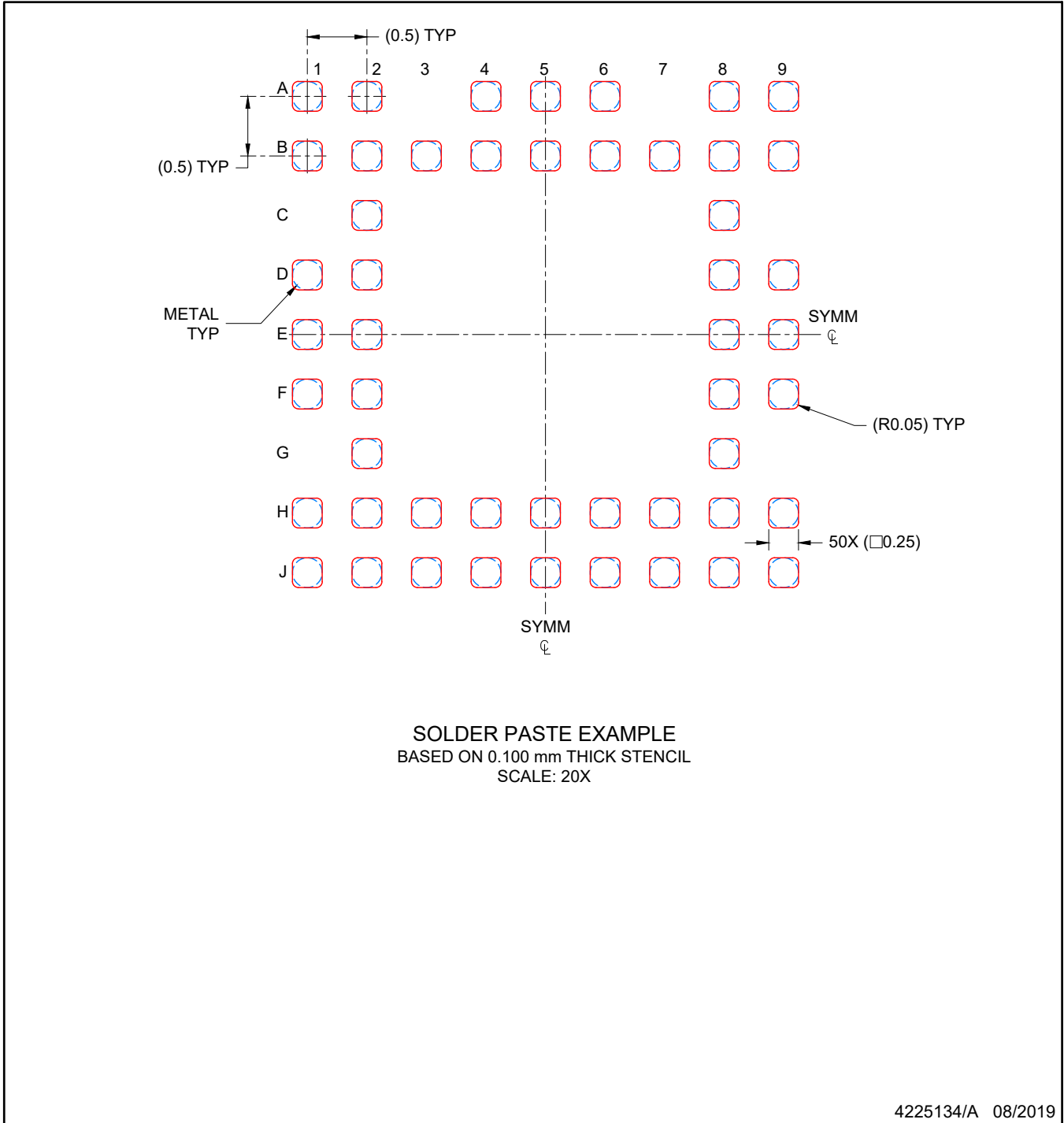


SOLDER MASK DETAILS
NOT TO SCALE

4225134/A 08/2019

NOTES: (continued)

- Final dimensions may vary due to manufacturing tolerance considerations and also routing constraints. Refer to Texas Instruments Literature number SNVA009 (www.ti.com/lit/snva009).



NOTES: (continued)

- 4. Laser cutting apertures with trapezoidal walls and rounded corners may offer better paste release.

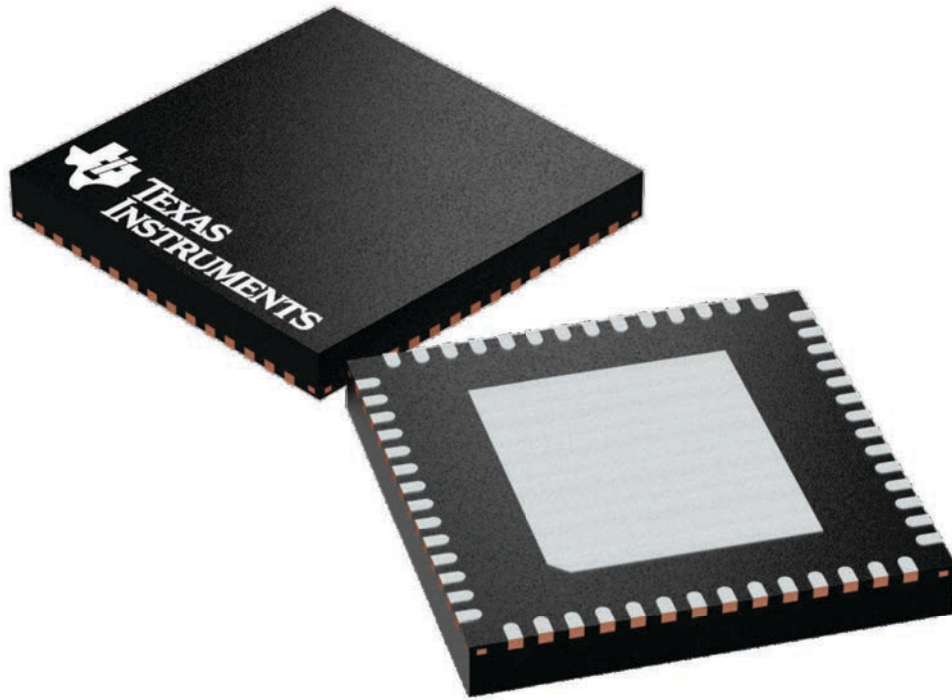
GENERIC PACKAGE VIEW

RTQ 56

VQFN - 1 mm max height

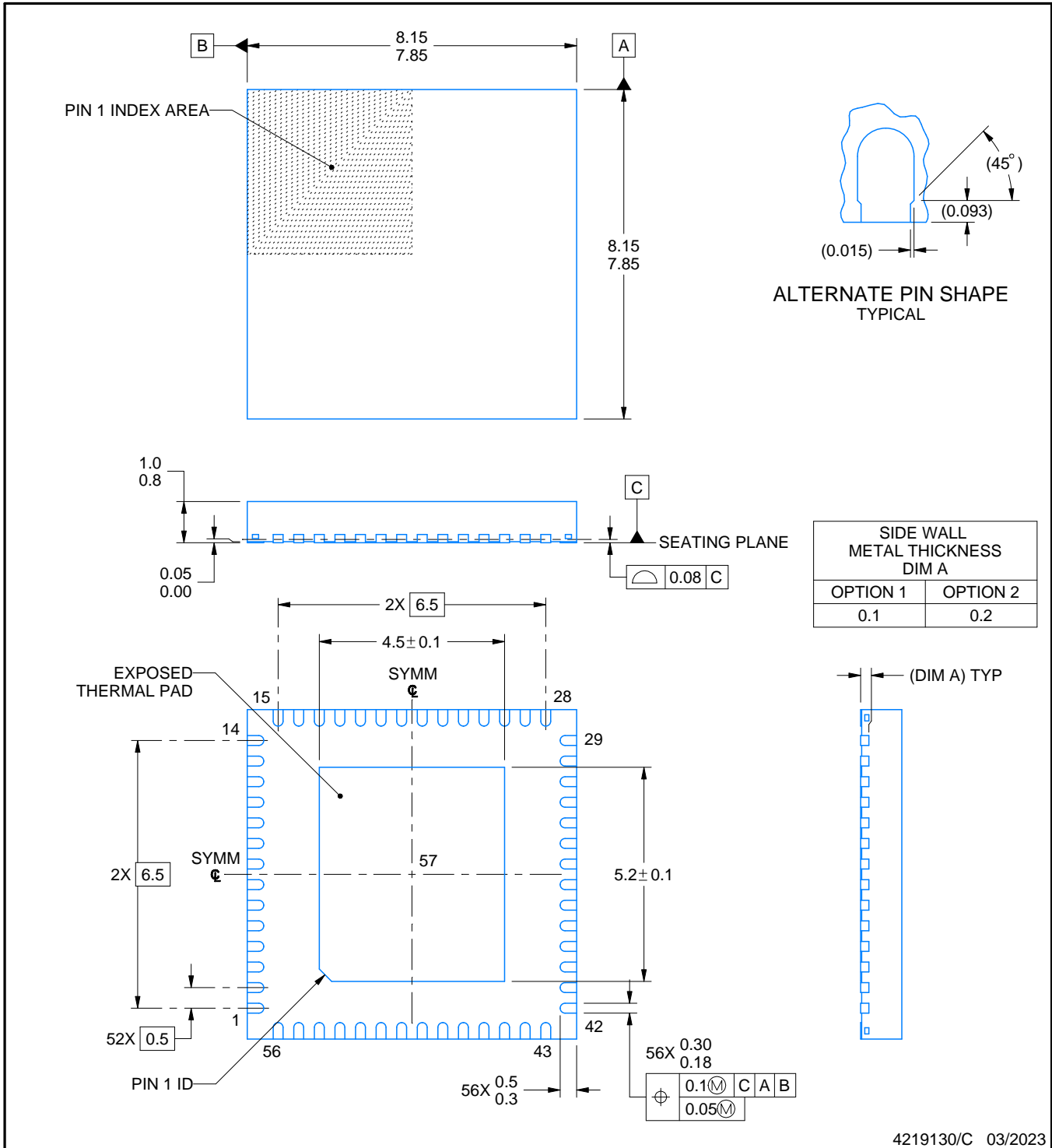
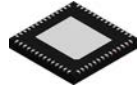
8 x 8, 0.5 mm pitch

PLASTIC QUAD FLATPACK - NO LEAD



Images above are just a representation of the package family, actual package may vary.
Refer to the product data sheet for package details.

4224653/A



4219130/C 03/2023

NOTES:

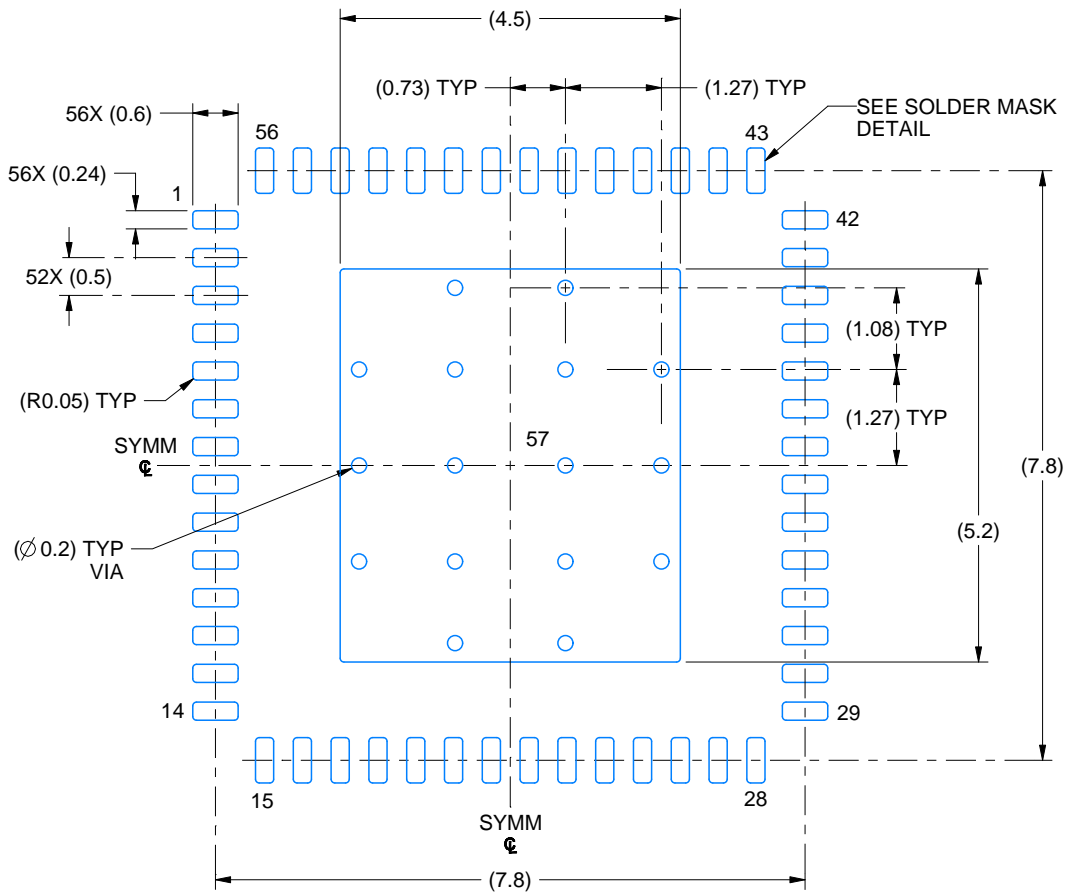
1. All linear dimensions are in millimeters. Any dimensions in parenthesis are for reference only. Dimensioning and tolerancing per ASME Y14.5M.
2. This drawing is subject to change without notice.
3. The package thermal pad must be soldered to the printed circuit board for thermal and mechanical performance.

EXAMPLE BOARD LAYOUT

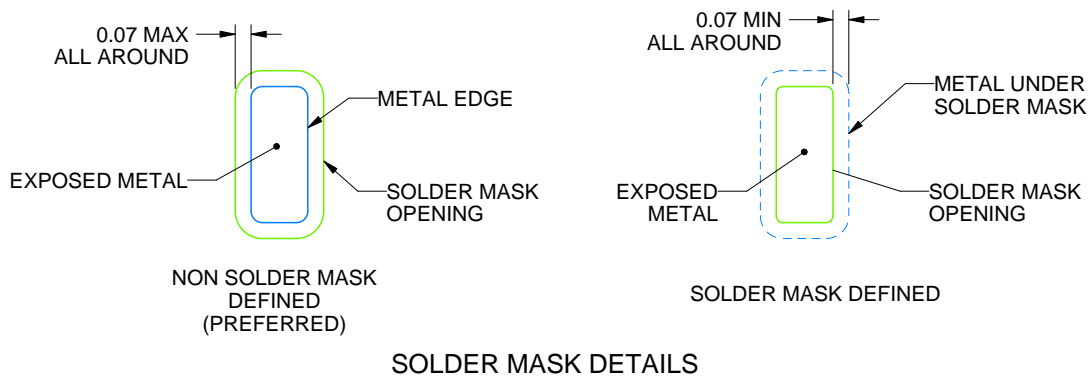
RTQ0056B

VQFN - 1 mm max height

PLASTIC QUAD FLATPACK - NO LEAD



LAND PATTERN EXAMPLE
EXPOSED METAL SHOWN
SCALE: 10X



4219130/C 03/2023

NOTES: (continued)

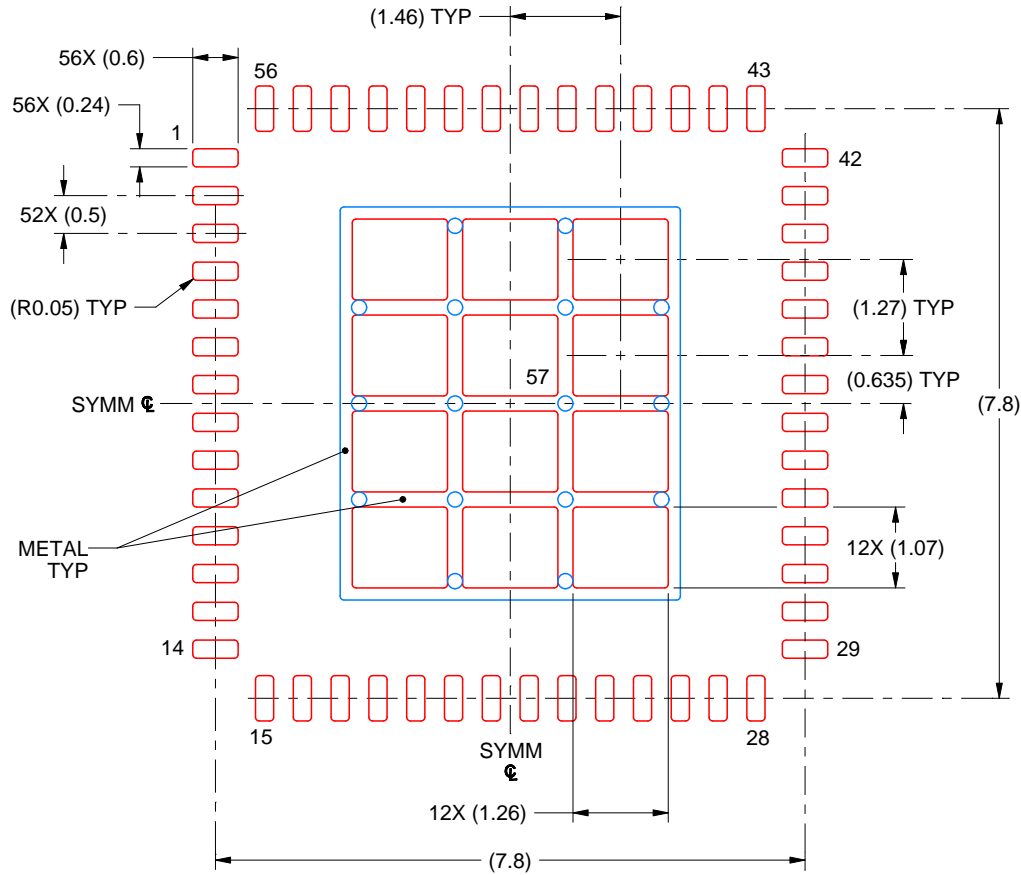
- This package is designed to be soldered to a thermal pad on the board. For more information, see Texas Instruments literature number SLUA271 (www.ti.com/lit/sluea271).
- Vias are optional depending on application, refer to device data sheet. If any vias are implemented, refer to their locations shown on this view. It is recommended that vias under paste be filled, plugged or tented.

EXAMPLE STENCIL DESIGN

RTQ0056B

VQFN - 1 mm max height

PLASTIC QUAD FLATPACK - NO LEAD



SOLDER PASTE EXAMPLE
BASED ON 0.125 MM THICK STENCIL
SCALE: 10X

EXPOSED PAD 57
69% PRINTED SOLDER COVERAGE BY AREA UNDER PACKAGE

4219130/C 03/2023

NOTES: (continued)

6. Laser cutting apertures with trapezoidal walls and rounded corners may offer better paste release. IPC-7525 may have alternate design recommendations.

重要なお知らせと免責事項

TI は、技術データと信頼性データ (データシートを含みます)、設計リソース (リファレンス・デザインを含みます)、アプリケーションや設計に関する各種アドバイス、Web ツール、安全性情報、その他のリソースを、欠陥が存在する可能性のある「現状のまま」提供しており、商品性および特定目的に対する適合性の黙示保証、第三者の知的財産権の非侵害保証を含むいかなる保証も、明示的または黙示的にかかわらず拒否します。

これらのリソースは、TI 製品を使用する設計の経験を積んだ開発者への提供を意図したものです。(1) お客様のアプリケーションに適した TI 製品の選定、(2) お客様のアプリケーションの設計、検証、試験、(3) お客様のアプリケーションに該当する各種規格や、その他のあらゆる安全性、セキュリティ、規制、または他の要件への確実な適合に関する責任を、お客様のみが単独で負うものとし、

上記の各種リソースは、予告なく変更される可能性があります。これらのリソースは、リソースで説明されている TI 製品を使用するアプリケーションの開発の目的でのみ、TI はその使用をお客様に許諾します。これらのリソースに関して、他の目的で複製することや掲載することは禁止されています。TI や第三者の知的財産権のライセンスが付与されている訳ではありません。お客様は、これらのリソースを自身で使用した結果発生するあらゆる申し立て、損害、費用、損失、責任について、TI およびその代理人を完全に補償するものとし、TI は一切の責任を拒否します。

TI の製品は、[TI の販売条件](#)、または [ti.com](https://www.ti.com) やかかる TI 製品の関連資料などのいずれかを通じて提供する適用可能な条項の下で提供されています。TI がこれらのリソースを提供することは、適用される TI の保証または他の保証の放棄の拡大や変更を意味するものではありません。

お客様がいかなる追加条項または代替条項を提案した場合でも、TI はそれらに異議を唱え、拒否します。

郵送先住所 : Texas Instruments, Post Office Box 655303, Dallas, Texas 75265
Copyright © 2023, Texas Instruments Incorporated