

## LMZ34202 4.5V~42V入力、2A電源モジュール

### 1 特長

- 小さな占有面積で低プロファイルの設計を可能にする完全な統合電源ソリューション
- 10mm×10mm×4.3mmのパッケージ
- 広い出力電圧調整範囲(2.5V~7.5V)
- 可変スイッチング周波数(200kHz~1MHz)
- 外部クロックに同期
- 自動PFMモードによる軽負荷時の高効率
- ソフトスタート時間を設定可能
- 出力電圧シーケンシング/トラッキング
- パワー・グッド出力
- 低電圧誤動作防止(UVLO)をプログラム可能
- 過熱時のサーマル・シャットダウン保護機能
- 過電流保護機能(ヒカップ・モード)
- プリバイアス出力によるスタートアップ
- 動作温度範囲: -40°C~105°C
- 強化された熱特性: 14°C/W
- EN55022 Class Bの放射要件に準拠
  - シールド付きインダクタを内蔵
- [WEBENCH® Power Designer](#)により、LMZ34202を使用するカスタム設計を作成

### 2 アプリケーション

- 産業用およびモータ制御
- 自動テスト機器
- 医療用およびイメージング機器
- 高密度の電源システム

### 3 概要

LMZ34202電源モジュールは使いやすい統合電源で、2AのDC-DCコンバータと、シールド付きインダクタおよびパッシブ部品が、薄型のQFNパッケージに内蔵されています。この総合的な電源ソリューションは、わずか3個の外付け部品で動作し、特定の設計要件に応じて主要なパラメータを変更する機能もあります。

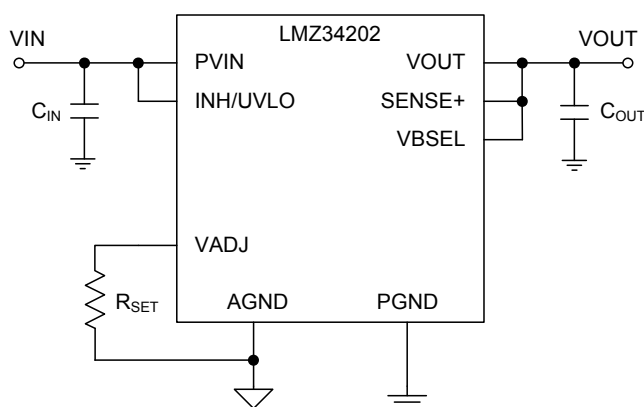
QFNパッケージはプリント基板へ簡単にハンダ付けでき、245°Cまでのリフロー・プロファイルが可能で、消費電力特性が非常に優れています。LMZ34202は柔軟で、多くの機能を持ち、広範なデバイスとシステムの電源として理想的です。

#### 製品情報<sup>(1)</sup>

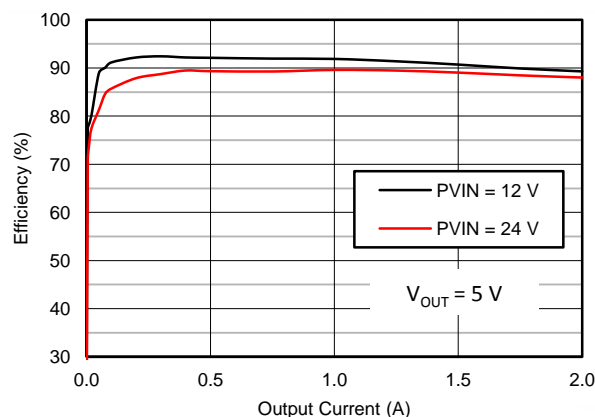
デバイス番号	パッケージ	本体サイズ
LMZ34202	QFN (43)	10.00mm×10.00mm

(1) 利用可能なすべてのパッケージについては、このデータシートの末尾にある注文情報を参照してください。

#### アプリケーション概略図



#### 効率と出力電流との関係



## 目次

1	特長	1	7.4	Device Functional Modes	20
2	アプリケーション	1	8	<b>Application and Implementation</b>	21
3	概要	1	8.1	Application Information	21
4	改訂履歴	2	8.2	Typical Application	21
5	<b>Pin Configuration and Functions</b>	3	9	<b>Power Supply Recommendations</b>	25
6	<b>Specifications</b>	5	10	<b>Layout</b>	26
6.1	Absolute Maximum Ratings	5	10.1	Layout Guidelines	26
6.2	ESD Ratings	5	10.2	Layout Example	26
6.3	Recommended Operating Conditions	5	10.3	EMI	27
6.4	Thermal Information	5	11	デバイスおよびドキュメントのサポート	28
6.5	Electrical Characteristics	6	11.1	デバイス・サポート	28
6.6	Switching Characteristics	7	11.2	ドキュメントの更新通知を受け取る方法	28
6.7	Typical Characteristics	8	11.3	コミュニティ・リソース	28
6.8	Typical Characteristics (Thermal Derating)	11	11.4	商標	28
7	<b>Detailed Description</b>	12	11.5	静電気放電に関する注意事項	28
7.1	Overview	12	11.6	Glossary	29
7.2	Functional Block Diagram	12	12	メカニカル、パッケージ、および注文情報	29
7.3	Feature Description	13			

## 4 改訂履歴

資料番号末尾の英字は改訂を表しています。その改訂履歴は英語版に準じています。

Revision B (April 2018) から Revision C に変更		Page
• 「絶対最大定格」表に合わせてリフローの許容値を「260°Cまで」から「245°Cまで」に変更	1	1
• TIリファレンス・デザインの上端のナビゲータ 追加	1	1

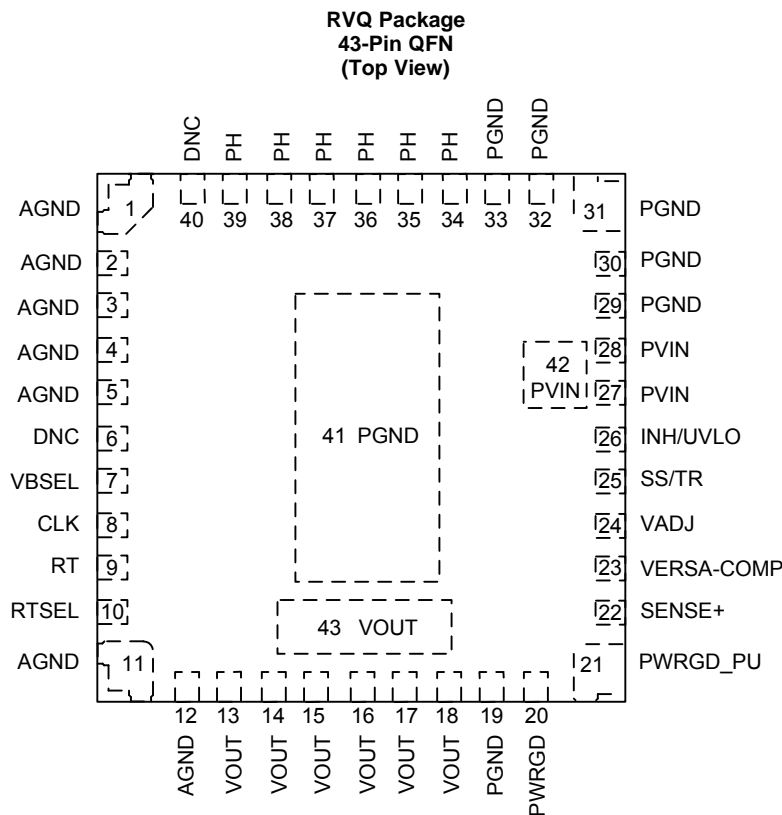
  

Revision A (June 2017) から Revision B に変更		Page
• LMZ34202のWEBENCH®設計リンク 追加	1	1
• Increased the peak reflow temperature and maximum number of reflows to JEDEC specifications for improved manufacturability	5	5

2016年3月発行のものから更新		Page
• Added peak reflow and maximum number of reflows information	5	5

## 5 Pin Configuration and Functions



### Pin Functions

PIN		TYPE (1)	DESCRIPTION
NAME	NO.		
AGND	1, 2, 3, 4, 5, 11, 12	G	Zero volt reference for the analog control circuitry. All of these pins are not connected together internal to the device and must be connected to one another externally using an analog ground plane on the PCB. Pins 11 and 12 are internally connected to the PGND of the device at a single point. The analog ground plane of the PCB should allow only analog ground currents to flow through these pins.
CLK	8	I	Synchronization input to synchronize the device to an external clock. Connect this pin to AGND if not used.
DNC	6, 40	-	Do Not Connect. Do not connect these pins to AGND, to another DNC pin, or to any other voltage. These pins are connected to internal circuitry. Each pin must be soldered to an isolated pad.
INH/UVLO	26	I	Inhibit and UVLO adjust pin. Use an open drain or open collector device to control the inhibit function. A resistor divider between this pin, AGND, and PVIN adjusts the UVLO voltage. Connect this pin to PVIN if not used.
PGND	19, 29, 30, 31, 32, 33, 41	G	This is the return current path for the power stage of the device. Connect these pins to the input source, the load, and to the bypass capacitors associated with PVIN and VOUT using power ground planes on the PCB. Pad 41 should be connected to the ground planes using multiple vias for good thermal performance.
PH	34, 35, 36, 37, 38, 39	O	Phase switch node. Do not place any external components on these pins or tie them to a pin of another function.
PVIN	27, 28, 42	I	Power input voltage. These pins supply all of the power to the device. Connect these pins to the input source and connect external bypass capacitors between these pins and PGND close to the device.
PWRGD	20	O	Power Good flag pin. This open drain output asserts low if the output voltage is more than approximately $\pm 10\%$ out of regulation. This pin is internally connected to an uncommitted 100k pull-up resistor that can be pulled up to a user-defined voltage applied to the PWRGD_PU pin.

(1) G = Ground, I = Input, O = Output

**Pin Functions (continued)**

PIN		TYPE <sup>(1)</sup>	DESCRIPTION
NAME	NO.		
PWRGD_PU	21	I	An internal 100 k pull-up resistor is connected between this pin and the PWRGD pin. If use of this internal pull-up resistor is desired, connect this pin to an appropriate voltage source that is less than or equal to 12 V. If unused, leave this pin floating.
RT	9	I	This pin is connected to internal frequency setting circuitry which sets the default switching frequency to 500 kHz. An external resistor can be connected from this pin to AGND to adjust the switching frequency. Refer to application section in datasheet.
RTSEL	10	I	This pin can be used to adjust the switching frequency to 1 MHz without the need for an external resistor. Connect this pin to AGND to adjust the frequency to 1 MHz. Otherwise, leave this pin floating.
SENSE+	22	I	Remote sense connection. This pin must be connected to VOUT at the load or at the device pins. Connect the pin to VOUT at the load for improved regulation.
SS/TR	25	I	soft-start and tracking pin. Connecting an external capacitor to this pin adjusts the output voltage soft-start ramp above its 4.1 ms default setting. A voltage applied to this pin allows for tracking and sequencing control.
VADJ	24	I	Connecting a resistor between this pin and AGND adjusts the output voltage.
VBSEL	7	I	Selectable internal bias supply. For output voltages $\geq 4.5$ V, connect this pin to VOUT. For output voltages $< 4.5$ V, connect this pin to AGND.
VERSA-COMP	23	I	Connects to internal compensation network. This pin can be left floating or connected to the VADJ pin to select the proper compensation depending on the output voltage.
VOUT	13, 14, 15, 16, 17, 18, 43	O	Output voltage. These pins are connected to the internal output inductor. Connect these pins to the output load and connect external bypass capacitors between these pins and PGND close to the device.

## 6 Specifications

### 6.1 Absolute Maximum Ratings

over operating free-air temperature range (unless otherwise noted)<sup>(1)</sup>

		MIN	MAX	UNIT
Input voltage	PVIN, INH/UVLO	-0.3	50	V
	VOUT, SENSE+, VBSEL	-0.3	30 <sup>(2)</sup>	V
	VADJ, VERSA-COMP, RT, RTSEL, SS/TR	-0.3	3.6	V
	PWRGD, PWRGD_PU	-0.3	15	V
	CLK	-0.3	5.5	V
Output voltage	PH	-0.3	50	V
Operating junction temperature <sup>(3)</sup>		-40	125	°C
Storage temperature, T <sub>stg</sub>		-65	150	°C
Peak Reflow Case Temperature <sup>(4)</sup>			245 <sup>(5)</sup>	°C
Maximum Number of Reflows Allowed <sup>(4)</sup>			3 <sup>(5)</sup>	
Mechanical shock	Mil-STD-883D, Method 2002.3, 1 msec, 1/2 sine, mounted		1500	G
Mechanical vibration	Mil-STD-883D, Method 2007.2, 20-2000Hz		20	G

- (1) Stresses beyond those listed under *Absolute Maximum Ratings* may cause permanent damage to the device. These are stress ratings only, which do not imply functional operation of the device at these or any other conditions beyond those indicated under *Recommended Operating Conditions*. Exposure to absolute-maximum-rated conditions for extended periods may affect device reliability.
- (2) The maximum voltage that can be applied to these pins is 30 V or PVIN, whichever is less.
- (3) See temperature derating curves in the Typical Characteristics section for thermal information.
- (4) For soldering specifications, refer to the [Soldering Requirements for BQFN Packages](#) application note.
- (5) Devices with a date code prior to week 14 2018 (1814) have a peak reflow case temperature of 240°C with a maximum of one reflow.

### 6.2 ESD Ratings

		VALUE	UNIT
V <sub>(ESD)</sub>	Electrostatic discharge	Human-body model (HBM), per ANSI/ESDA/JEDEC JS-001 <sup>(1)</sup>	±1000
		Charged-device model (CDM), per JEDEC specification JESD22-C101 <sup>(2)</sup>	±1000

- (1) JEDEC document JEP155 states that 500-V HBM allows safe manufacturing with a standard ESD control process.
- (2) JEDEC document JEP157 states that 250-V CDM allows safe manufacturing with a standard ESD control process.

### 6.3 Recommended Operating Conditions

over operating free-air temperature range (unless otherwise noted)

		MIN	NOM	MAX	UNIT
P <sub>VIN</sub>	Input voltage	4.5		42	V
V <sub>OUT</sub>	Output voltage	2.5		7.5	V
f <sub>SW</sub>	Switching frequency	300		1000	kHz
T <sub>A</sub>	Operating ambient temperature	-40		105	°C

### 6.4 Thermal Information

THERMAL METRIC <sup>(1)</sup>		LMZ34202	UNIT
		RVQ (QFN)	
		43 PINS	
R <sub>θJA</sub>	Junction-to-ambient thermal resistance	14	°C/W
ψ <sub>JT</sub>	Junction-to-top characterization parameter	2.6	°C/W
ψ <sub>JB</sub>	Junction-to-board characterization parameter	9	°C/W

- (1) For more information about traditional and new thermal metrics, see the *Semiconductor and IC Package Thermal Metrics* application report, [SPRA953](#).

## 6.5 Electrical Characteristics

Over  $-40^{\circ}\text{C}$  to  $+105^{\circ}\text{C}$  free-air temperature,  $\text{PV}_{\text{IN}} = 24\text{ V}$ ,  $\text{V}_{\text{OUT}} = 5\text{ V}$ ,  $\text{I}_{\text{OUT}} = \text{I}_{\text{OUT max}}$ ,  $f_{\text{sw}} = 500\text{ kHz}$ ,

$\text{C}_{\text{IN}1} = 1 \times 10\text{-}\mu\text{F}$ , 100-V 1210 ceramic,  $\text{C}_{\text{IN}2} = 1 \times 100\text{-}\mu\text{F}$  100-V electrolytic bulk, and  $\text{C}_{\text{OUT}} = 3 \times 47\text{-}\mu\text{F}$ , 16-V 1210 ceramic (unless otherwise noted).

PARAMETER		TEST CONDITIONS	MIN	TYP	MAX	UNIT
<b>INPUT VOLTAGE (<math>\text{PV}_{\text{IN}}</math>)</b>						
$\text{PV}_{\text{IN}}$	Input voltage range	Over $\text{I}_{\text{OUT}}$ range	4.5 <sup>(1)</sup>		42	V
UVLO	$\text{PV}_{\text{IN}}$ undervoltage lockout	$\text{PV}_{\text{IN}}$ increasing		3.2	3.8	V
		$\text{PV}_{\text{IN}}$ decreasing		2.8		V
<b>OUTPUT VOLTAGE</b>						
$\text{V}_{\text{OUT (ADJ)}}$	Output voltage adjust range	Over $\text{I}_{\text{OUT}}$ range	2.5		7.5	V
$\text{V}_{\text{OUT}}$	Set-point voltage tolerance	$\text{T}_A = 25^{\circ}\text{C}$ , $\text{I}_{\text{OUT}} = 200\text{ mA}$		$\pm 0.7$	$\pm 1.5$ <sup>(2)</sup>	%
	Temperature variation	$-40^{\circ}\text{C} \leq \text{T}_A \leq 105^{\circ}\text{C}$ , $\text{I}_{\text{OUT}} = 0\text{ A}$		$\pm 0.9$		%
	Line regulation	$\text{T}_A = 25^{\circ}\text{C}$ , Over $\text{PV}_{\text{IN}}$ range, $\text{I}_{\text{OUT}} = 300\text{ mA}$		$\pm 0.1$		%
	Load regulation	$\text{T}_A = 25^{\circ}\text{C}$ , $\text{I}_{\text{OUT}} = 300\text{ mA}$ to $\text{I}_{\text{OUT max}}$		$\pm 0.3$		%
	Total output voltage variation	Includes set-point, line, load, and temperature			$\pm 2$	%
$\text{V}_{\text{OUT ripple}}$	Output voltage ripple	20-MHz Bandwidth		10		mV/pp
<b>OUTPUT CURRENT</b>						
$\text{I}_{\text{OUT}}$	Output current	$\text{T}_A = 105^{\circ}\text{C}$ , natural convection	0		1.5	A
$\text{I}_{\text{OUT}}$	Output current	$\text{T}_A = 105^{\circ}\text{C}$ , 200LFM	0		2	A
$\text{I}_{\text{OUT}}$	Output current	$\text{T}_A = 95^{\circ}\text{C}$ , natural convection	0		2	A
$\text{I}_{\text{LIM}}$	Overcurrent threshold			2.5		A
<b>PERFORMANCE</b>						
$\eta$	Efficiency	$\text{PV}_{\text{IN}} = 12\text{ V}$ $\text{I}_{\text{OUT}} = 1\text{ A}$	$\text{V}_{\text{OUT}} = 7.5\text{ V}$ ; $f_{\text{SW}} = 400\text{ kHz}$		95	%
			$\text{V}_{\text{OUT}} = 5\text{ V}$ ; $f_{\text{SW}} = 200\text{ kHz}$		93	%
			$\text{V}_{\text{OUT}} = 5\text{ V}$ ; $f_{\text{SW}} = 500\text{ kHz}$		92	%
			$\text{V}_{\text{OUT}} = 3.3\text{ V}$ ; $f_{\text{SW}} = 200\text{ kHz}$		90	%
			$\text{V}_{\text{OUT}} = 2.5\text{ V}$ ; $f_{\text{SW}} = 200\text{ kHz}$		87	%
		$\text{PV}_{\text{IN}} = 24\text{ V}$ $\text{I}_{\text{OUT}} = 1\text{ A}$	$\text{V}_{\text{OUT}} = 7.5\text{ V}$ ; $f_{\text{SW}} = 400\text{ kHz}$		92	%
			$\text{V}_{\text{OUT}} = 5\text{ V}$ ; $f_{\text{SW}} = 250\text{ kHz}$		90	%
			$\text{V}_{\text{OUT}} = 5\text{ V}$ ; $f_{\text{SW}} = 500\text{ kHz}$		88	%
			$\text{V}_{\text{OUT}} = 3.3\text{ V}$ ; $f_{\text{SW}} = 250\text{ kHz}$		86	%
			$\text{V}_{\text{OUT}} = 2.5\text{ V}$ ; $f_{\text{SW}} = 250\text{ kHz}$		81	%
Transient response	$\text{I}_{\text{OUT}} = 50\%$ load step 1 A/ $\mu\text{s}$ slew rate	Recovery time		100		$\mu\text{s}$
		Over/Undershoot		2		%
<b>SLOW START</b>						
$\text{T}_{\text{SS}}$	Internal slow start time	SS/TR pin open		4.1		ms
<b>INHIBIT</b>						
$\text{V}_{\text{INH (high)}}$	Inhibit control	Precision inhibit level	2.00	2.1	2.42	V
$\text{V}_{\text{INH (low)}}$		Inhibit turn-off hysteresis		-0.294		V
$\text{I}_i$ (shutdown)	Input shutdown supply current	INH/UVLO pin connected to AGND		2.4	6.2 <sup>(3)</sup>	$\mu\text{A}$
<b>POWER GOOD (PWRGD)</b>						
$\text{V}_{\text{PWRGD}}$	PWRGD thresholds	$\text{V}_{\text{OUT}}$ rising	Good		95	%
			Fault		110	%
		$\text{V}_{\text{OUT}}$ falling	Fault		90	%
			Good		105	%

(1) The minimum  $\text{PV}_{\text{IN}}$  is 4.5 V or  $(\text{V}_{\text{OUT}} / 0.75)$ , whichever is greater. For  $\text{V}_{\text{OUT}} = 3.3\text{ V}$ , the minimum  $\text{PV}_{\text{IN}}$  is 4.75 V when  $\text{I}_{\text{OUT}} > 1.5\text{ A}$ .

(2) The stated limit of the set-point voltage tolerance includes the tolerance of both the internal voltage reference and the internal adjustment resistor. The overall output voltage tolerance will be affected by the tolerance of the external  $\text{R}_{\text{SET}}$  resistor.

(3) Guaranteed by design. Not production tested.

## Electrical Characteristics (continued)

Over  $-40^{\circ}\text{C}$  to  $+105^{\circ}\text{C}$  free-air temperature,  $PV_{\text{IN}} = 24\text{ V}$ ,  $V_{\text{OUT}} = 5\text{ V}$ ,  $I_{\text{OUT}} = I_{\text{OUT max}}$ ,  $f_{\text{sw}} = 500\text{ kHz}$ ,  $C_{\text{IN}1} = 1 \times 10\text{-}\mu\text{F}$ , 100-V 1210 ceramic,  $C_{\text{IN}2} = 1 \times 100\text{-}\mu\text{F}$  100-V electrolytic bulk, and  $C_{\text{OUT}} = 3 \times 47\text{-}\mu\text{F}$ , 16-V 1210 ceramic (unless otherwise noted).

PARAMETER		TEST CONDITIONS	MIN	TYP	MAX	UNIT
<b>THERMAL SHUTDOWN</b>						
$T_{\text{SHUTDOWN}}$	Thermal shutdown	Shutdown Temperature		160		$^{\circ}\text{C}$
		Hysteresis		10		$^{\circ}\text{C}$
<b>INPUT/OUTPUT CAPACITANCE</b>						
$C_{\text{IN}}$	External input capacitance	ceramic	10 <sup>(4)</sup>			$\mu\text{F}$
		non-ceramic		100		$\mu\text{F}$
$C_{\text{OUT}}$	External output capacitance	Ceramic	64 <sup>(5)</sup>		See <sup>(6)</sup>	$\mu\text{F}$
		Non-ceramic		100	See <sup>(6)</sup>	$\mu\text{F}$
		ceramic + non-ceramic			See <sup>(6)</sup>	$\mu\text{F}$
		Equivalent series resistance (ESR)			20	$\text{m}\Omega$

- (4) The specified minimum ceramic input capacitance represents the standard capacitance value. The actual effective capacitance after considering the effects of DC bias and temperature variation should be  $\geq 4.7\ \mu\text{F}$ .
- (5) The amount of required output capacitance varies depending on the output voltage (see [Output Capacitor Selection](#)). The minimum required output capacitance must be comprised of ceramic capacitance. The amount of required ceramic capacitance represents the standard capacitance value. Locate the capacitance close to the device. Adding additional ceramic or non-ceramic capacitance close to the load improves the response of the regulator to load transients.
- (6) The maximum allowable output capacitance varies depending on the output voltage (see [Output Capacitor Selection](#)).

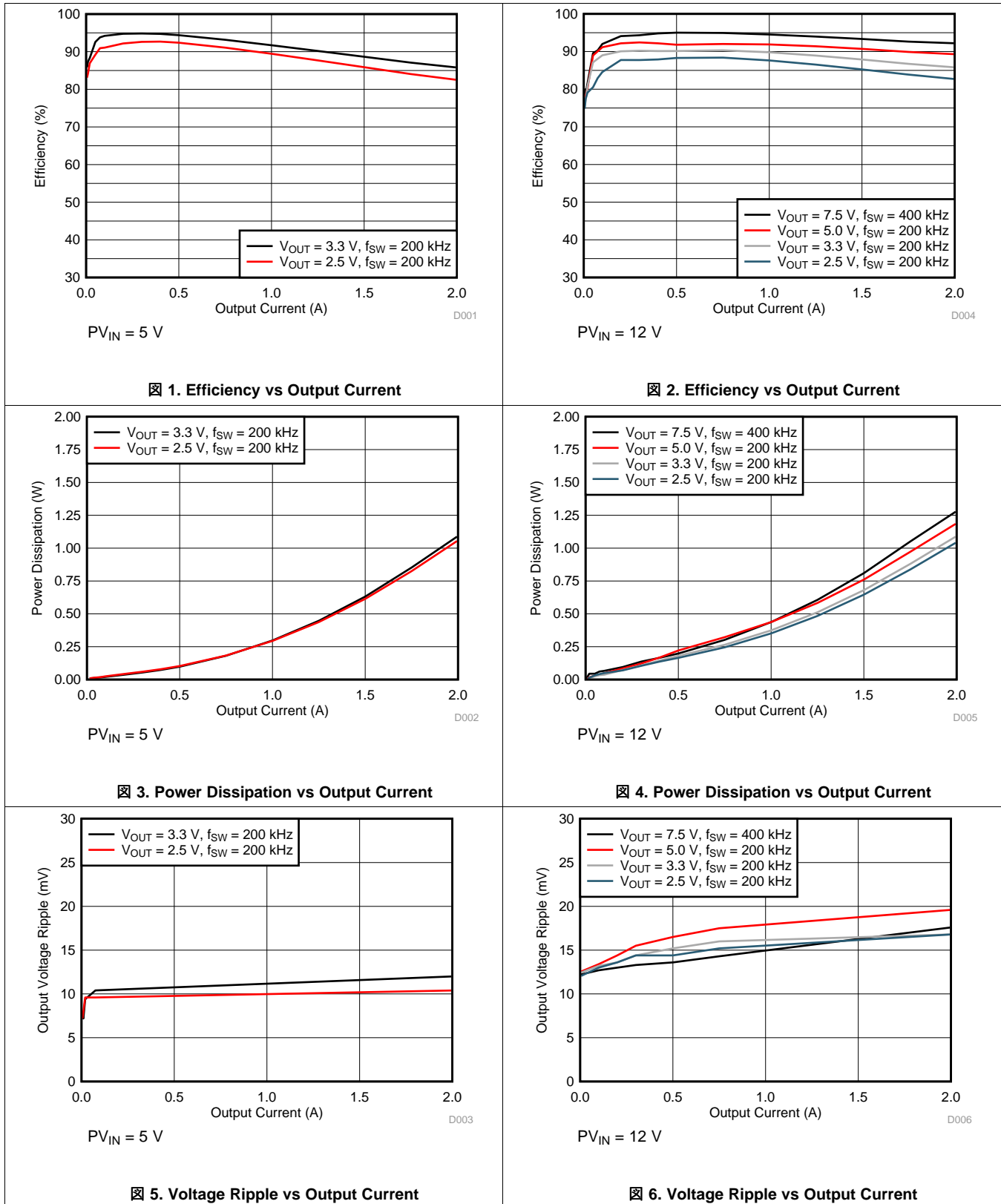
## 6.6 Switching Characteristics

over operating free-air temperature range (unless otherwise noted)

PARAMETER		TEST CONDITIONS	MIN	TYP	MAX	UNIT
$f_{\text{sw}}$	Switching frequency	RT and RTSEL pins open	410	500	590	kHz
$f_{\text{CLK}}$	CLK Control	Synchronization frequency	200		1000	kHz
$V_{\text{CLK-H}}$		CLK high level	2		5.5	V
$V_{\text{CLK-L}}$		CLK low level			0.4	V
$D_{\text{CLK}}$		CLK duty cycle	10%	50%	90%	

## 6.7 Typical Characteristics

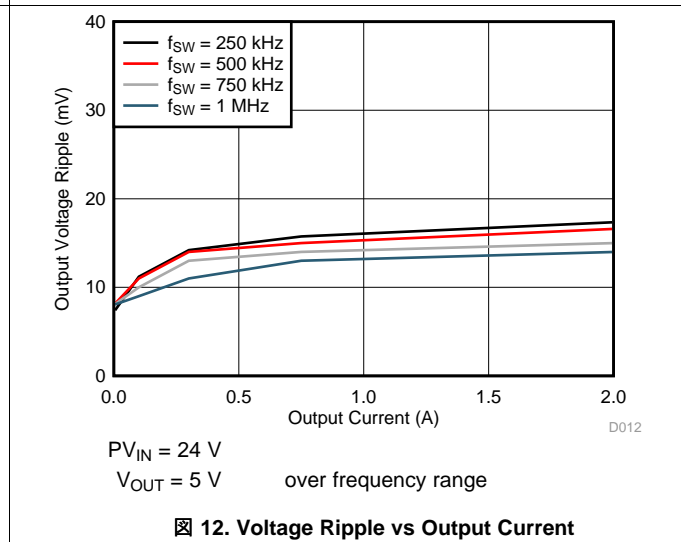
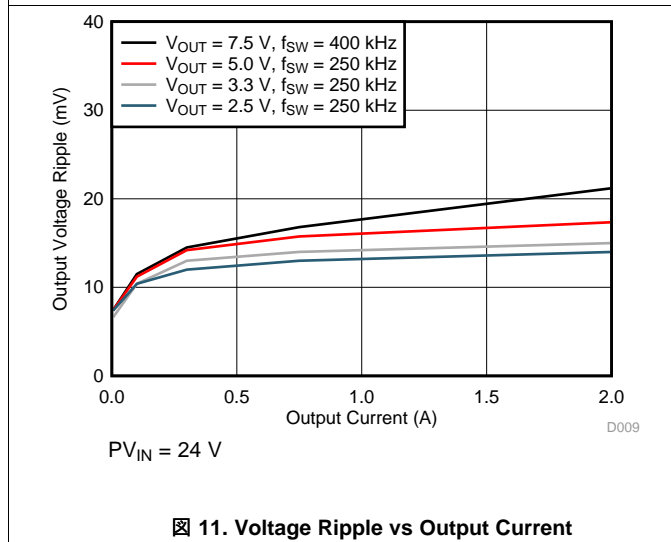
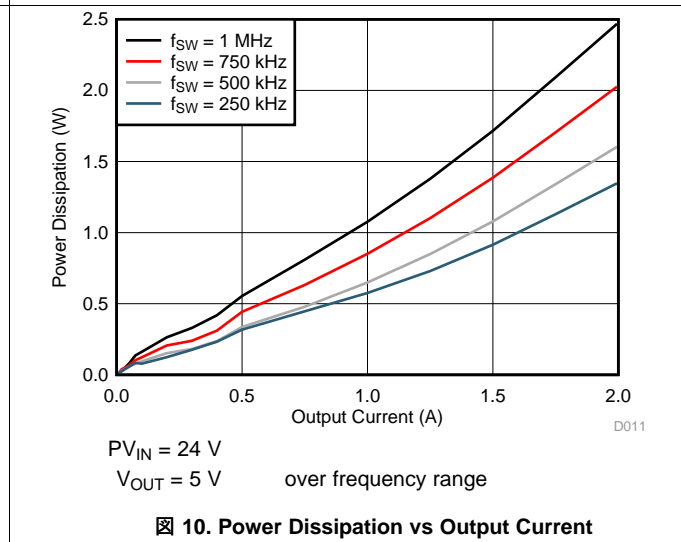
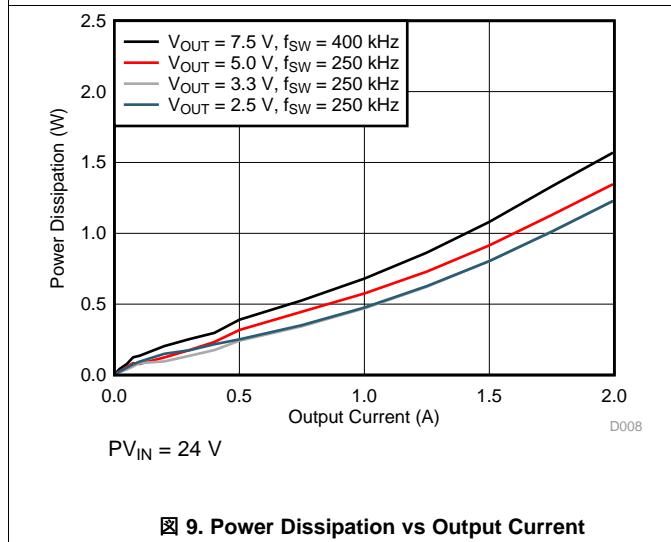
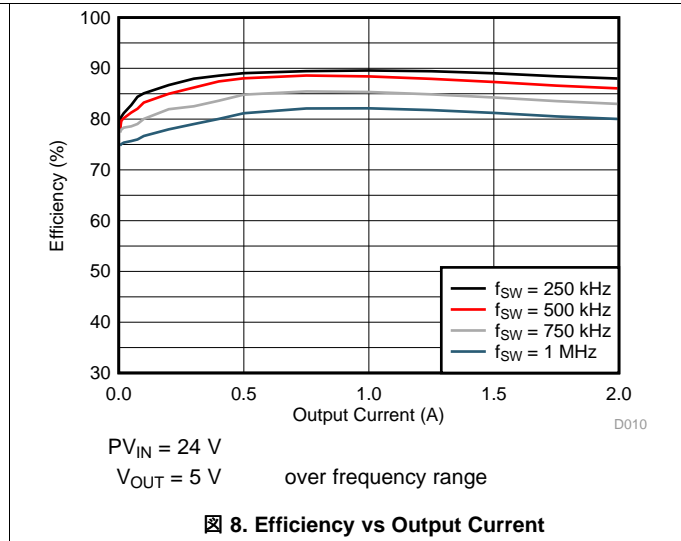
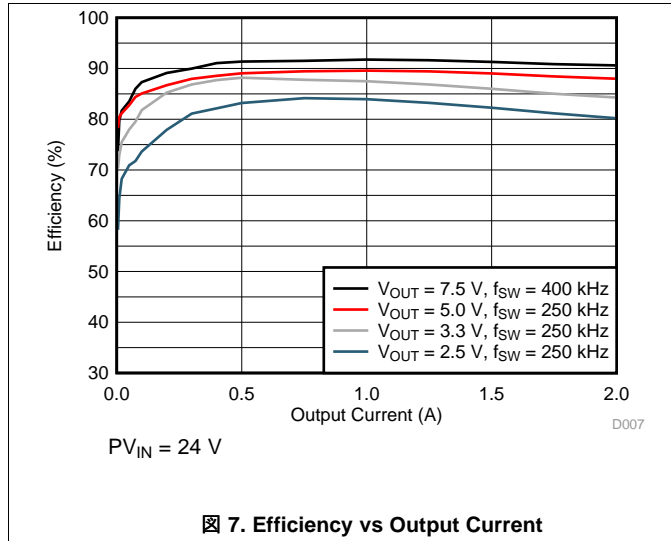
$T_A = 25^\circ\text{C}$ , unless otherwise noted.





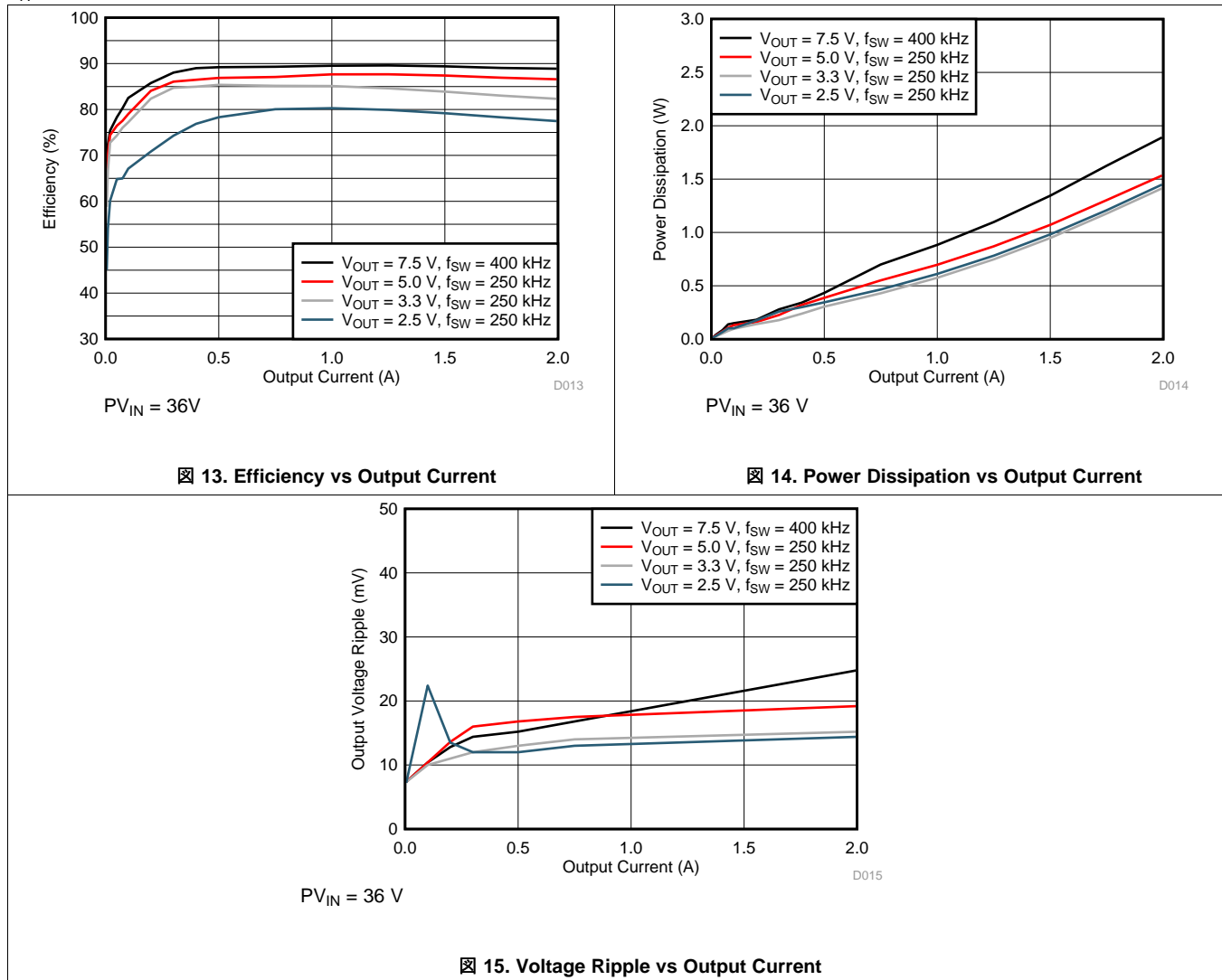
Typical Characteristics (continued)

T<sub>A</sub> = 25°C, unless otherwise noted.



**Typical Characteristics (continued)**

$T_A = 25^\circ\text{C}$ , unless otherwise noted.



### 6.8 Typical Characteristics (Thermal Derating)

The temperature derating curves represent the conditions at which internal components are at or below the manufacturer's maximum operating temperatures. Derating limits apply to devices soldered directly to a 50 mm x 100 mm, 4-layer PCB with 2 oz. copper.

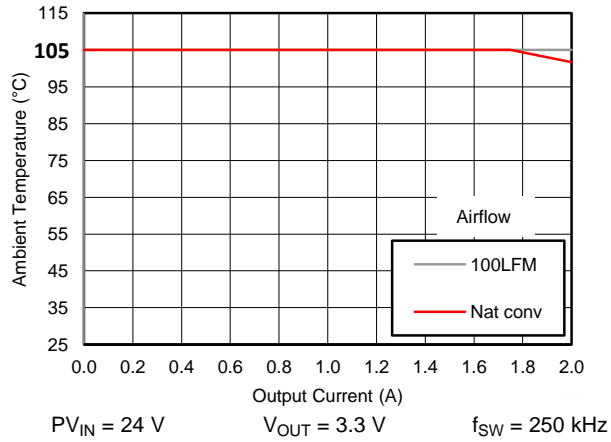


Figure 16. Safe Operating Area

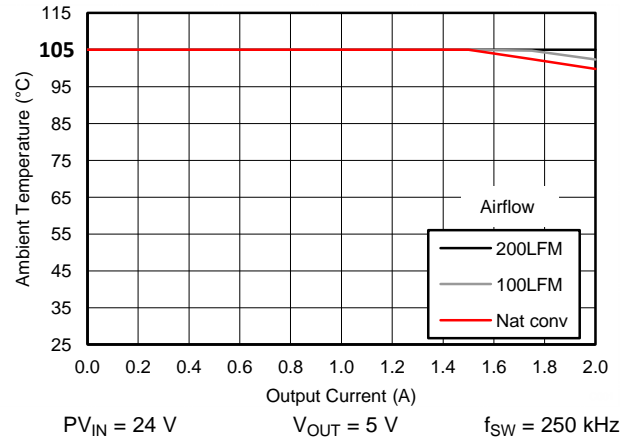


Figure 17. Safe Operating Area

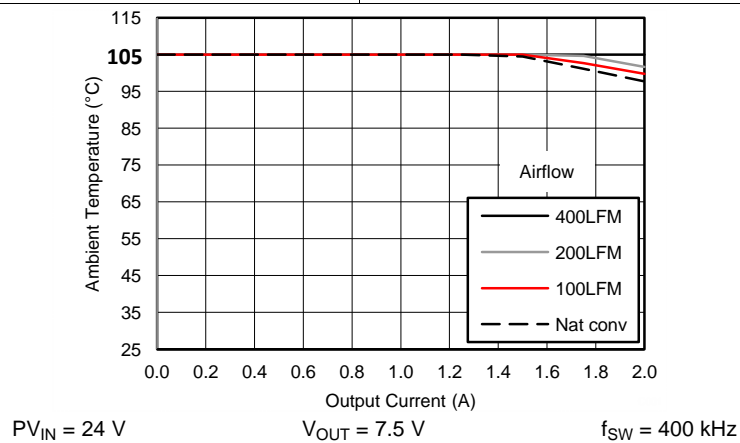


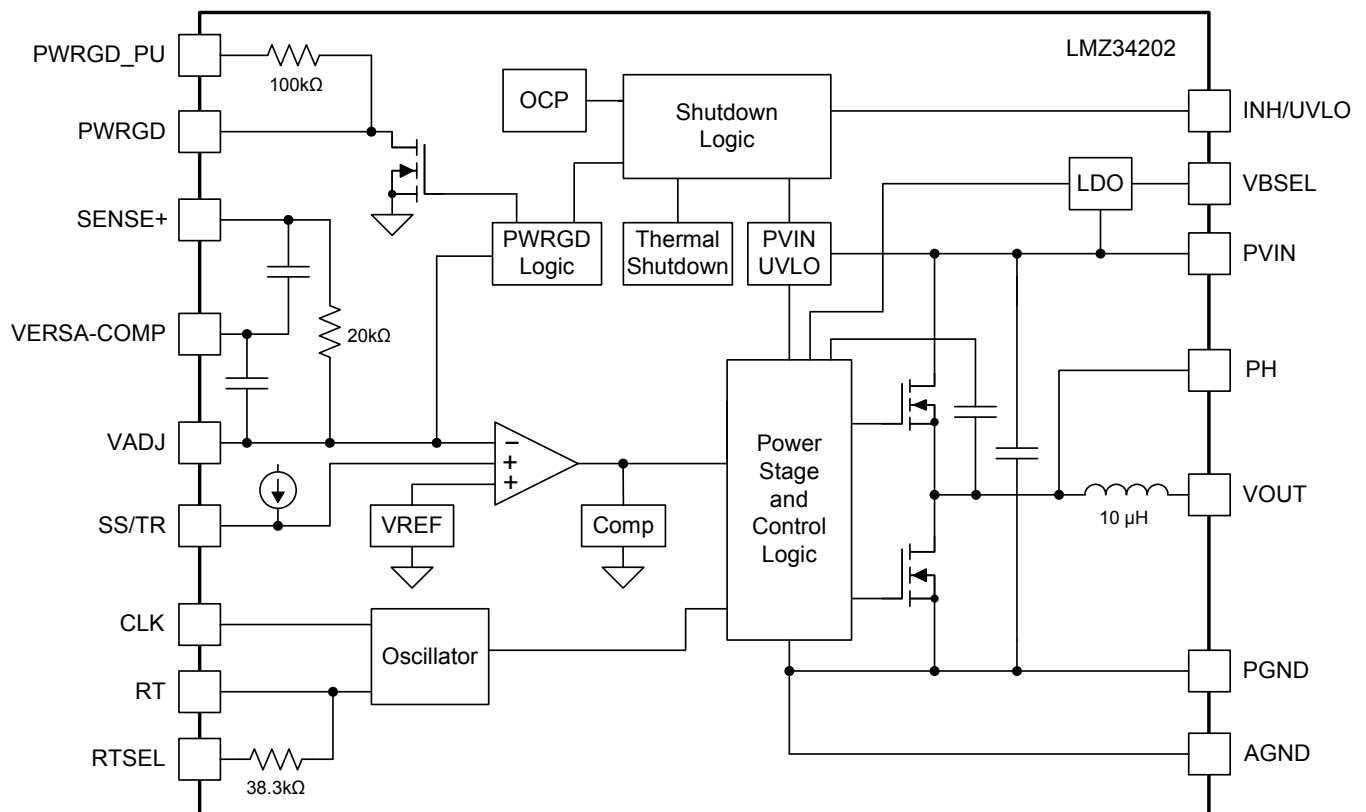
Figure 18. Safe Operating Area

## 7 Detailed Description

### 7.1 Overview

The LMZ34202 is a full featured 42-V input, 2-A, synchronous step down converter with PWM, MOSFETs, inductor, and control circuitry integrated into a low-profile, overmolded package. This device enables small designs by integrating all but the input and output capacitors, while still leaving the ability to adjust key parameters to meet specific design requirements. The LMZ34202 provides a 3x output voltage range of 2.5 V to 7.5 V. A single external resistor is used to adjust the output voltage to the desired output. The switching frequency is also adjustable by using an external resistor or a synchronization pulse to accommodate various input and output voltage conditions and to optimize efficiency. The device provides accurate voltage regulation for a variety of loads by using an internal voltage reference that is 2% accurate over temperature. Input under-voltage lockout is internally set at 3.2 V, but can be adjusted upward using a resistor divider on the INH/UVLO pin of the device. The INH/UVLO pin can also be pulled low to put the device in standby mode to reduce input quiescent current. The device provides a power good signal to indicate when the output is within  $\pm 5\%$  of its nominal voltage. Thermal shutdown and current limit features protect the device during an overload condition. Automatic PFM mode improves light-load efficiency. A 43-pin, QFN, package that includes exposed bottom pads provides a thermally enhanced solution for space-constrained applications.

### 7.2 Functional Block Diagram



## 7.3 Feature Description

### 7.3.1 Adjusting the Output Voltage

The VADJ pin sets the output voltage of the LMZ34202. The output voltage adjustment range is from 2.5 V to 7.5 V. The switching frequency range for any output voltage must be determined from 表 4 or 表 5. The adjustment method requires the addition of  $R_{SET}$ , which sets the output voltage, and the connection of SENSE+ to VOUT. The  $R_{SET}$  resistor must be connected directly between the VADJ (pin 24) and AGND. The SENSE+ pin (pin 22) must be connected to VOUT either at the load for improved regulation or at VOUT of the device. 表 1 lists the standard external  $R_{SET}$  resistor for a number of common bus voltages.

**表 1. Standard  $R_{SET}$  Resistor Values for Common Output Voltages**

$R_{SET}$ (k $\Omega$ )	OUTPUT VOLTAGE $V_{OUT}$ (V)				
	2.5	3.3	5.0	6.0	7.5
	13.7	8.87	5.11	4.02	3.09

For other output voltages, the value of the required resistor can either be calculated using the following formula, or simply selected from the range of values given in 表 2.

$$R_{SET} = \frac{20}{\left[\left(\frac{V_{OUT}}{1.011}\right) - 1\right]} \text{ (k}\Omega\text{)} \quad (1)$$

**表 2. Standard  $R_{SET}$  Resistor Values**

$V_{OUT}$ (V)	$R_{SET}$ (k $\Omega$ )	$V_{OUT}$ (V)	$R_{SET}$ (k $\Omega$ )
2.5	13.7	5.1	4.99
2.6	12.7	5.2	4.87
2.7	11.8	5.3	4.75
2.8	11.3	5.4	4.64
2.9	10.7	5.5	4.53
3.0	10.2	5.6	4.42
3.1	9.76	5.7	4.32
3.2	9.31	5.8	4.22
3.3	8.87	5.9	4.12
3.4	8.45	6.0	4.02
3.5	8.06	6.1	3.97
3.6	7.87	6.2	3.92
3.7	7.50	6.3	3.83
3.8	7.32	6.4	3.74
3.9	6.98	6.5	3.65
4.0	6.81	6.6	3.61
4.1	6.49	6.7	3.57
4.2	6.34	6.8	3.48
4.3	6.19	6.9	3.40
4.4	5.90	7.0	3.36
4.5	5.76	7.1	3.32
4.6	5.62	7.2	3.24
4.7	5.49	7.3	3.20
4.8	5.36	7.4	3.16
4.9	5.23	7.5	3.09
5.0	5.11		

### 7.3.2 Switching Frequency (RT)

The switching frequency range of the LMZ34202 is 200 kHz to 1 MHz. Not all  $PV_{IN}$ ,  $V_{OUT}$ , and  $I_{OUT}$  conditions can be set to all of the frequencies in this range. See [Recommended Operating Range](#) for the allowable operating ranges. The switching frequency can easily be set one of three ways. First, leaving the RT pin (pin 9) and RTSEL pin (pin 10) floating (OPEN) allows operation at the default switching frequency of 500 kHz. Also, connecting the RTSEL pin to AGND while floating the RT pin, sets the switching frequency to 1 MHz. The option is also available to set the switching frequency to any frequency in the range of 200 kHz to 1 MHz, by connecting a resistor ( $R_{RT}$ ) between the RT pin and AGND, while floating the RTSEL pin. See [表 3](#) for standard resistor values for setting the switching frequency or use [式 2](#) to calculate  $R_{RT}$  for other switching frequencies.

**表 3. Switching Frequency  $R_{RT}$  Values**

Switching Frequency	$R_{RT}$ (k $\Omega$ )
250 kHz	158
500 kHz	78.7 or (RT pin OPEN, RTSEL pin OPEN)
750 kHz	53.6
1 MHz	38.3 or (RT pin OPEN, RTSEL pin to AGND)

$$R_{RT} = \frac{40200}{F_{sw}(kHz)} - 0.6 \text{ (k}\Omega\text{)} \quad (2)$$

### 7.3.3 Recommended Operating Range

[表 4](#) and [表 5](#) below show the allowable switching frequencies for a given range of output voltages. Reference [表 4](#) for applications where the maximum output current is 1.75 A or less. Reference [表 5](#) for applications that the output current is greater than 1.75 A. Notice that applications requiring less than 1.75 A can operate over a much wider range of switching frequencies. For the most efficient solution, always operate at the lowest allowable frequency.

**表 4. Switching Frequency vs Output Voltage  
Output Current  $\leq 1.75$  A**

$V_{OUT}$ RANGE (V)	SWITCHING FREQUENCY RANGE (kHz)					
	$PV_{IN} = 12$ V		$PV_{IN} = 24$ V		$PV_{IN} = 36$ V	
	MIN	MAX	MIN	MAX	MIN	MAX
2.5 - 3.5 V	200	1000	200	600	200	400
>3.5 - 4.5 V	200	1000	200	850	200	550
>4.5 - 5.5 V	200	1000	200	1000	200	750
>5.5 - 6.5 V	300	1000	200	1000	200	1000
>6.5 - 7.5 V	300	900	300	1000	300	950

**表 5. Switching Frequency vs Output Voltage  
Output Current  $> 1.75$  A**

$V_{OUT}$ RANGE (V)	SWITCHING FREQUENCY RANGE (kHz)					
	$PV_{IN} = 12$ V		$PV_{IN} = 24$ V		$PV_{IN} = 36$ V	
	MIN	MAX	MIN	MAX	MIN	MAX
2.5 - 3.5 V	200	450	200	500	200	400
>3.5 - 4.5 V	200	500	200	600	200	550
>4.5 - 5.5 V	200	500	200	650	200	700
>5.5 - 6.5 V	300	500	250	700	250	800
>6.5 - 7.5 V	300	400	300	750	300	800

### 7.3.4 Synchronization (CLK)

The LMZ34202 switching frequency can also be synchronized to an external clock from 200 kHz to 1 MHz. Not all  $V_{IN}$ ,  $V_{OUT}$ , and  $I_{OUT}$  conditions can be set to all of the frequencies in this range. See [Recommended Operating Range](#) for the allowable operating ranges.

To implement the synchronization feature, connect a clock signal to the CLK pin with a duty cycle between 10% and 90%. The clock signal amplitude must transition lower than 0.4 V and higher than 2.0 V. The start of the switching cycle is synchronized to the rising edge of CLK pin. Before the external clock is present the device operates in RT mode and the switching frequency is set by  $R_{RT}$  resistor. Select  $R_{RT}$  to set the frequency close to the external synchronization frequency. When the external clock is present, the CLK mode overrides the RT mode. If the external clock is removed or fails at logic high or low, the LMZ34202 will switch at the frequency programmed by the  $R_{RT}$  resistor after a time-out period. Connect the CLK pin (pin 8) to AGND if not used.

### 7.3.5 Output Capacitor Selection

The minimum required and maximum output capacitance of the LMZ34202 is a function of the output voltage as shown in [Table 6](#). Additionally, the output voltage will determine the Versa-Comp configuration (see [VERSA-COMP Pin Configurations](#)), which is also included in [Table 6](#). The capacitance values listed in [Table 6](#) are the specified capacitance values. The effects of DC bias and temperature variation must be considered when using ceramic capacitance. For ceramic capacitors, package size, voltage rating, and dielectric material will contribute to differences between the specified value and the actual effective value of the capacitance.  $C_{OUT(min)}$  must be comprised of ceramic type capacitors. Additional capacitance, not exceeding  $C_{OUT(max)}$ , may be ceramic type or low-ESR polymer type. See [Table 7](#) for a preferred list of output capacitors by vendor.

**表 6. Required Output Capacitance**

$V_{OUT}$ (V)	MINIMUM REQUIRED $C_{OUT}$ ( $\mu$ F) <sup>(1)</sup> <sup>(2)</sup>	MAXIMUM $C_{OUT}$ ( $\mu$ F) <sup>(2)</sup>	Versa-Comp Connection
2.5	64	350	Leave OPEN
3.3	64	350	Connect to VADJ
5.0	64	350	Connect to VADJ
6.0	64	200	Connect to VADJ
7.5	100	200	Connect to VADJ

- (1) Minimum required output capacitance must be comprised of ceramic capacitance.  
 (2)  $C_{OUT}$  values represent specified capacitance values.

**表 7. Recommended Output Capacitors<sup>(1)</sup>**

VENDOR	SERIES	PART NUMBER	CAPACITOR CHARACTERISTICS		
			WORKING VOLTAGE (V)	CAPACITANCE <sup>(2)</sup> ( $\mu$ F)	ESR <sup>(3)</sup> (m $\Omega$ )
TDK	X5R	C3225X5R1C106K	16	10	2
Murata	X5R	GRM32ER61C106K	16	10	2
TDK	X5R	C3225X5R1C226M	16	22	2
Murata	X5R	GRM32ER61C226K	16	22	2
TDK	X5R	C3225X5R1A476M	10	47	2
Murata	X5R	GRM32ER61C476K	16	47	3
TDK	X5R	C3225X5R0J107M	6.3	100	2
Murata	X5R	GRM32ER60J107M	6.3	100	2
Murata	X5R	GRM32ER61A107M	10	100	2
Kemet	X5R	C1210C107M4PAC7800	16	100	2
Panasonic	POSCAP	6TPE100MI	6.3	100	18
Panasonic	POSCAP	6TPF220M9L	6.3	220	9
Panasonic	POSCAP	6TPE220ML	6.3	220	12

- (1) **Capacitor Supplier Verification, RoHS, Lead-free and Material Details**  
 Consult capacitor suppliers regarding availability, material composition, RoHS and lead-free status, and manufacturing process requirements for any capacitors identified in this table.  
 (2) Specified capacitance values.  
 (3) Maximum ESR @ 100kHz, 25°C.

### 7.3.6 VERSA-COMP Pin Configurations

The versa-comp feature of the LMZ34202 allows a simple method to adjust the internal compensation network to provide the optimized phase and gain margin based on the output voltage. This easy-to-use feature requires no external components and is implemented by the simple configuration of two adjacent pins on the module.

The versa-comp feature must be configured in one of two ways; VERSA-COMP pin left OPEN or VERSA-COMP pin tied to VADJ. The output voltage determines the appropriate Versa-Comp pin configuration. 表 8 lists the Versa-Comp configuration. 图 19 shows the two possible Versa-Comp pin configurations.

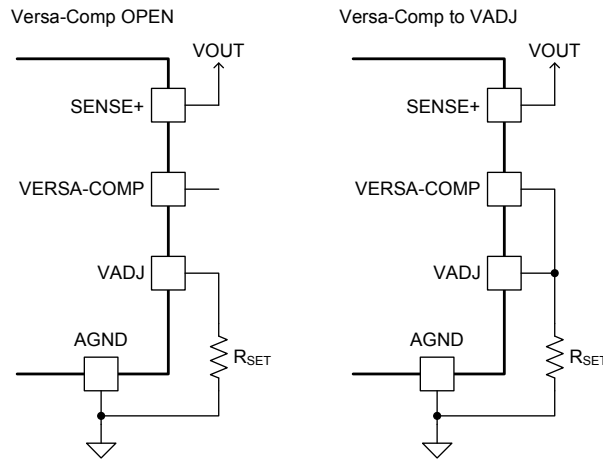


图 19. Versa-Comp Configurations

表 8. VERSA-COMP Pin Configurations

V <sub>OUT</sub> RANGE (V)		VERSA-COMP PIN CONFIGURATION
MIN	MAX	
2.5	< 3.0	OPEN
3.0	7.5	Connect to VADJ

### 7.3.7 Input Capacitor Selection

The LMZ34202 requires a ceramic capacitor with a minimum effective input capacitance of 4.7 μF. Use only high-quality ceramic type X5R or X7R capacitors with sufficient voltage rating. An additional 100 μF of non-ceramic capacitance is recommended for applications with transient load requirements. The voltage rating of input capacitors must be greater than the maximum input voltage. To compensate the derating of ceramic capacitors, a voltage rating of twice the maximum input voltage is recommended. At worst case, when operating at 50% duty cycle and maximum load, the combined ripple current rating of the input capacitors must be at least 1.0 Arms. 表 9 includes a preferred list of capacitors by vendor.

表 9. Recommended Input Capacitors<sup>(1)</sup>

VENDOR	SERIES	PART NUMBER	CAPACITOR CHARACTERISTICS		
			WORKING VOLTAGE (V)	CAPACITANCE <sup>(2)</sup> (μF)	ESR <sup>(3)</sup> (mΩ)
TDK	X5R	C3225X5R1H106K	50	10	3
Murata	X7R	GRM32ER71H106K	50	10	2
Murata	X7R	GRM32ER71J106K	63	10	2
Panasonic	ZA	EEHZA1H101P	50	100	28
Panasonic	ZA	EEHZA1J560P	63	56	30

(1) **Capacitor Supplier Verification, RoHS, Lead-free and Material Details**

Consult capacitor suppliers regarding availability, material composition, RoHS and lead-free status, and manufacturing process requirements for any capacitors identified in this table.

(2) Specified capacitance values

(3) Maximum ESR @ 100kHz, 25°C.



### 7.3.8 Output On/Off Inhibit (INH/UVLO)

The INH/UVLO pin provides on and off control of the device. The INH input provides a precise 2.1 V rising threshold to allow direct logic drive or connection to a voltage divider from a higher voltage source such as  $PV_{IN}$ . Once the INH/UVLO pin voltage exceeds the threshold voltage, the device starts operation. The INH input also incorporates 300 mV (typ) of hysteresis resulting in a falling threshold of 1.8 V. If the INH/UVLO pin voltage is pulled below the threshold voltage, the regulator stops switching and enters low quiescent current state. The INH/UVLO pin cannot be open circuit or floating. The simplest way to enable the operation of the LMZ34202 is to connect the INH/UVLO pin to  $PV_{IN}$  pin directly as shown in [Figure 20](#). This connection allows the LMZ34202 device to restart when  $PV_{IN}$  is again within the operation range.

If an application requires controlling the INH/UVLO pin, either drive it directly with a logic input or use an open drain and collector device to interface with the pin and place a 100-k $\Omega$  resistor between this pin and  $PV_{IN}$  pin as shown in [Figure 21](#). When turning Q1 on applies a low voltage to the inhibit control (INH/UVLO) pin and disables the output of the supply, shown in [Figure 22](#). If Q1 is turned off, the supply executes a soft-start power-up sequence, as shown in [Figure 23](#).

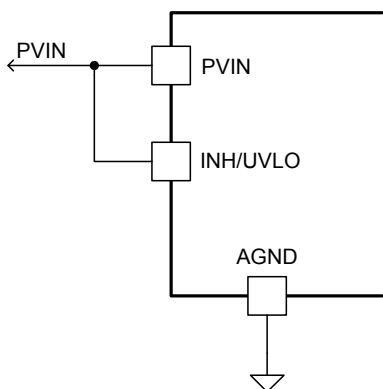


Figure 20. Enabling the Device

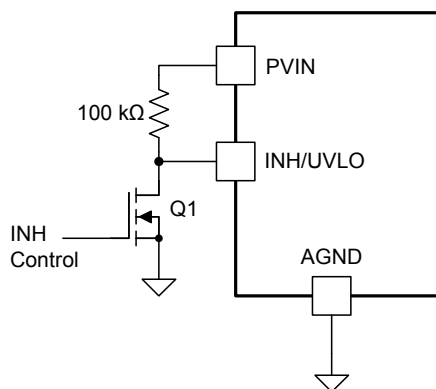


Figure 21. Typical Inhibit Control

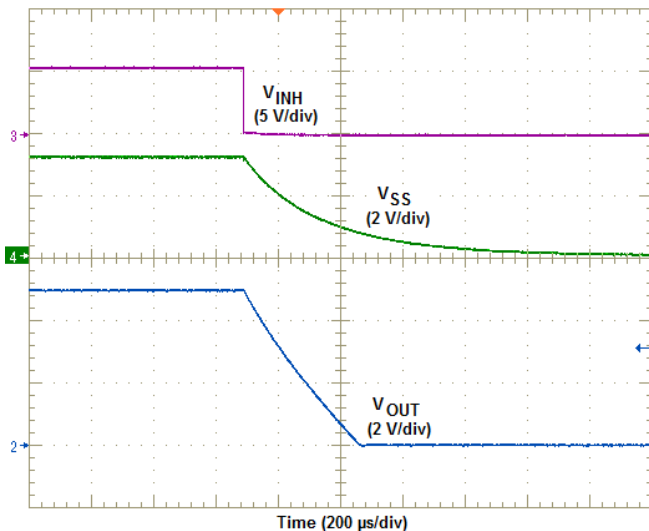


Figure 22. Inhibit Turn-Off

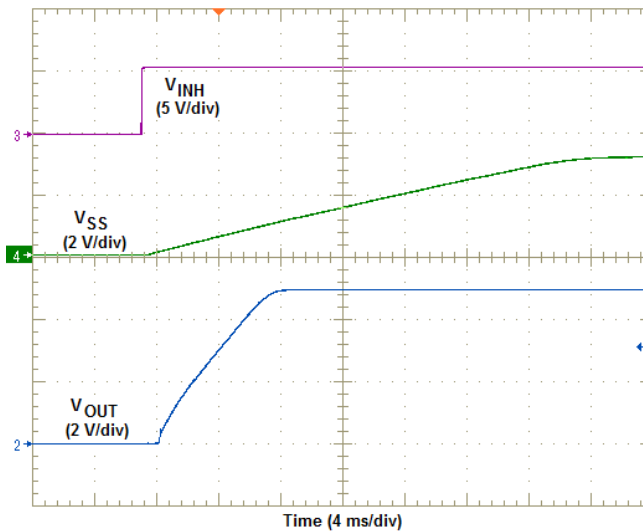


Figure 23. Inhibit Turn-On

### 7.3.9 Under Voltage Lockout (UVLO)

The LMZ34202 device has an internal UVLO circuit which prevents the device from operating until the  $PV_{IN}$  voltage exceeds the UVLO threshold, (3.2 V (typ)). The device will begin switching and the output voltage will begin to rise once  $PV_{IN}$  exceeds the threshold, however  $PV_{IN}$  must be greater than  $(V_{OUT}/0.75)$  in order to for  $V_{OUT}$  to regulate at the set-point voltage.

Applications may require a higher UVLO threshold to prevent early turn-on, for sequencing requirements, or to prevent input current draw at lower input voltages. An external resistor divider can be added to the INH/UVLO pin to adjust the UVLO threshold higher. The external resistor divider can be configured as shown in 图 24. 表 10 lists standard values for  $R_{UVLO1}$  and  $R_{UVLO2}$  to adjust the UVLO voltage higher.

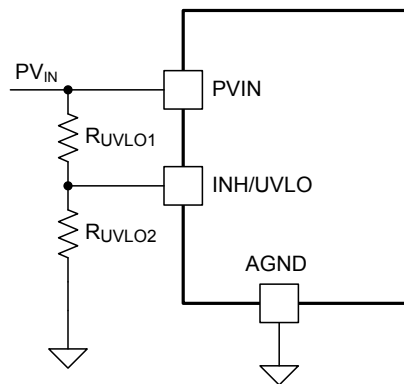


图 24. Adjustable PVIN UVLO

表 10. Resistor Values for Adjusting PVIN UVLO

PVIN UVLO (V)	4.5	10	15	20	25	30
$R_{UVLO1}$ (k $\Omega$ )	100	100	100	100	100	100
$R_{UVLO2}$ (k $\Omega$ )	46.4	21.0	14.0	10.5	8.45	6.98

### 7.3.10 Remote Sense

The SENSE+ pin must be connected to  $V_{OUT}$  at the load, or at the device pins.

Connecting the SENSE+ pin to  $V_{OUT}$  at the load improves the load regulation performance of the device by allowing it to compensate for any I-R voltage drop between its output pins and the load. An I-R drop is caused by the high output current flowing through the small amount of pin and trace resistance. This should be limited to a maximum of 300 mV.

**注**

The remote sense feature is not designed to compensate for the forward drop of nonlinear or frequency dependent components that may be placed in series with the converter output. Examples include OR-ing diodes, filter inductors, ferrite beads, and fuses. When these components are enclosed by the SENSE+ connection, they are effectively placed inside the regulation control loop, which can adversely affect the stability of the regulator.

### 7.3.11 VBSEL

The VBSEL pin allows the user to select the input source of the internal bias circuitry to improve efficiency. For output voltages  $\geq 4.5$  V, connect this pin to  $V_{OUT}$ . For output voltages  $< 4.5$  V, connect this pin to AGND.

### 7.3.12 Soft-Start (SS/TR)

Leaving SS/TR pin open enables the internal slow start time interval of approximately 4.1 ms. Adding additional capacitance between the SS pin and AGND increases the slow start time. Increasing the slow start time will reduce inrush current seen by the input source and reduce the current seen by the device when charging the output capacitors. To avoid the activation of current limit and ensure proper start-up, the SS capacitor may need to be increased when operating near the maximum output capacitance limit.

See 表 11 below for SS capacitor values and timing interval.

表 11. Soft-Start Capacitor Values and Soft-Start Time

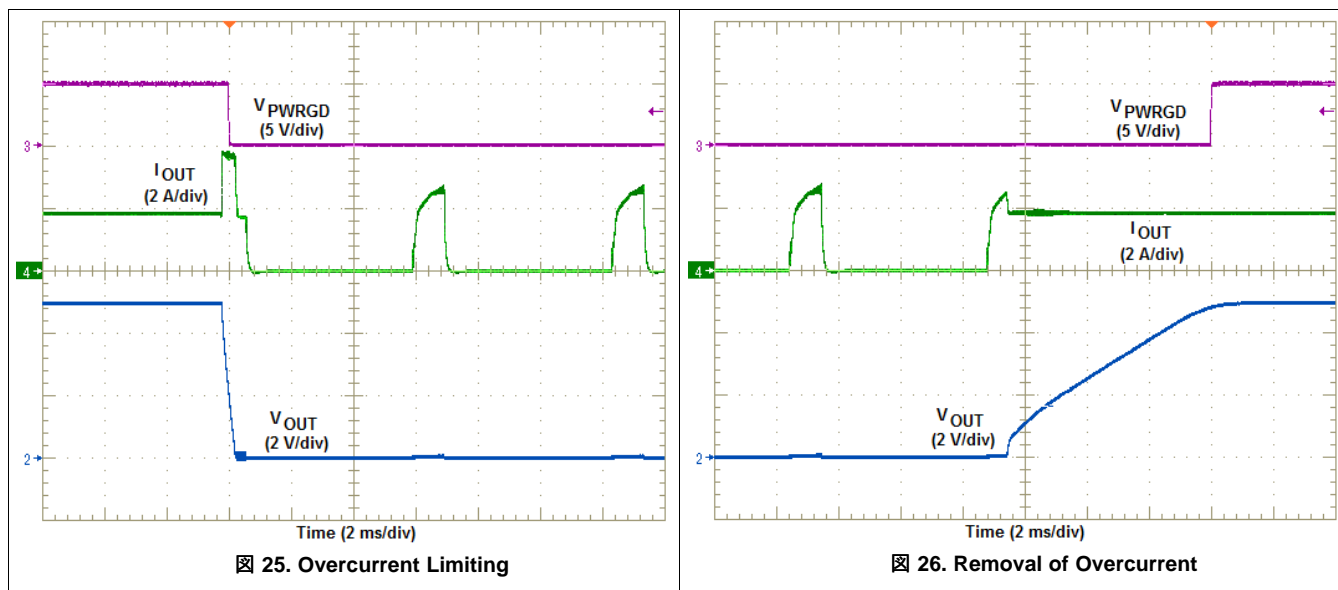
C <sub>SS</sub> (nF)	open	15	22	33	47
SS Time (ms)	4.1	7	10	15	20

### 7.3.13 Power Good (PWRGD) and Pull-up (PWRGD\_PU)

The PWRGD pin is an open drain output. Once the voltage on the SENSE+ pin is between 95% and 105% of the set voltage, the PWRGD pin pull-down is released and the pin floats. The recommended pullup resistor value is between 10 kΩ and 100-kΩ to a voltage source that is 12 V or less. The LMZ34202 has an internal 100-kΩ between the PWRGD pin (pin 20) and the PWRGD\_PU pin (pin 21). Connect the PWRGD\_PU pin to an external voltage source to avoid using an external pullup resistor. The PWRGD pin is pulled low when the voltage on SENSE+ is lower than 90% or greater than 110% of the nominal set voltage.

### 7.3.14 Overcurrent Protection

For protection against load faults, the LMZ34202 incorporates output overcurrent protection. Applying a load that exceeds the regulator's overcurrent threshold causes the output to shut down when the output voltage falls below the PWRGD threshold. Following shutdown, the module periodically attempts to recover by initiating a soft-start power-up as shown in 图 25. This is described as a hiccup mode of operation, whereby the module continues in a cycle of successive shutdown and power up until the load fault is removed. During this period, the average current flowing into the fault is significantly reduced which reduces power dissipation. Once the fault is removed, the module automatically recovers and returns to normal operation as shown in 图 26.



### 7.3.15 Thermal Shutdown

The internal thermal shutdown circuitry forces the device to stop switching if the junction temperature exceeds 160°C typically. The device reinitiates the power up sequence when the junction temperature drops below 150°C typically.

## 7.4 Device Functional Modes

### 7.4.1 Active Mode

The LMZ34202 is in Active Mode when PVIN is above the UVLO threshold and the INH/UVLO pin voltage is above the INH high threshold. The simplest way to enable the LMZ34202 is to connect the INH/UVLO terminal to PVIN. This allows self start-up of the LMZ34202 when the input voltage is in the operation range: 4.5 V to 42 V.

### 7.4.2 Light Load Operation

At light load, the LMZ34202 operates in pulse skip mode to improve efficiency and decrease power dissipation by reducing switching losses and gate drive losses. In light load operation (PFM mode), the output voltage can rise slightly above the set-point specification. To avoid this behavior, a 300-mA load is required on the output.

### 7.4.3 Shutdown Mode

The INH/UVLO pin provides electrical ON and OFF control for the LMZ34202. When the INH/UVLO pin voltage is below the INH threshold, the device is in shutdown mode. In shutdown mode the stand-by current is 2.4  $\mu\text{A}$  typically with  $PV_{IN} = 24 \text{ V}$ . The LMZ34202 also employs under voltage lock out protection. If  $PV_{IN}$  is below the UVLO level, the output of the regulator turns off.

## 8 Application and Implementation

### 注

Information in the following applications sections is not part of the TI component specification, and TI does not warrant its accuracy or completeness. TI's customers are responsible for determining suitability of components for their purposes. Customers should validate and test their design implementation to confirm system functionality.

### 8.1 Application Information

The LMZ34202 is a synchronous step down DC-DC power module. It is used to convert a higher DC voltage to a lower DC voltage with a maximum output current of 2 A. The following design procedure can be used to select components for the LMZ34202. Alternately, the WEBENCH® software may be used to generate complete designs. When generating a design, the WEBENCH software utilizes an iterative design procedure and accesses comprehensive databases of components.

### 8.2 Typical Application

#### 8.2.1 Minimum External Component Application

The LMZ34202 requires only a few external components to convert from a wide input voltage supply range to a wide range of output voltages. [Figure 27](#) shows a basic LMZ34202 schematic with only the minimum required components.

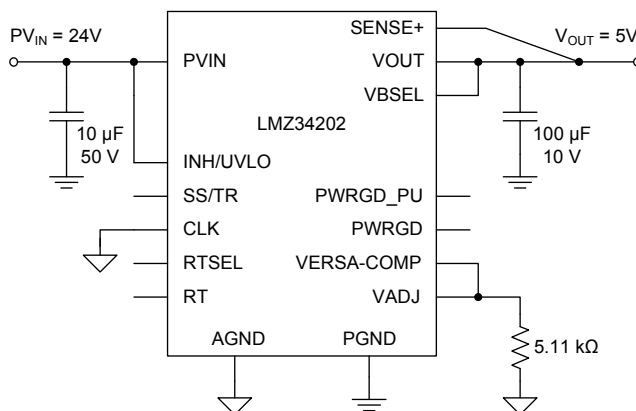


图 27. LMZ34202 Minimum External Component Application

#### 8.2.1.1 Design Requirements

For this design example, use the parameters listed in [Table 12](#) and follow the design procedures below.

表 12. Design Example Parameters

DESIGN PARAMETER	VALUE
Input Voltage $PV_{IN}$	24 V typical
Output Voltage $V_{OUT}$	5.0 V
Output Current Rating	2 A
Operating Frequency	500 kHz

## 8.2.1.2 Detailed Design Procedure

### 8.2.1.2.1 Custom Design With WEBENCH® Tools

[Click here](#) to create a custom design using the LMZ34202 device with the WEBENCH® Power Designer.

1. Start by entering the input voltage ( $V_{IN}$ ), output voltage ( $V_{OUT}$ ), and output current ( $I_{OUT}$ ) requirements.
2. Optimize the design for key parameters such as efficiency, footprint, and cost using the optimizer dial.
3. Compare the generated design with other possible solutions from Texas Instruments.

The WEBENCH Power Designer provides a customized schematic along with a list of materials with real-time pricing and component availability.

In most cases, these actions are available:

- Run electrical simulations to see important waveforms and circuit performance
- Run thermal simulations to understand board thermal performance
- Export customized schematic and layout into popular CAD formats
- Print PDF reports for the design, and share the design with colleagues

Get more information about WEBENCH tools at [www.ti.com/WEBENCH](http://www.ti.com/WEBENCH).

### 8.2.1.2.2 Output Voltage Set-Point

The output voltage of the LMZ34202 device is externally adjustable using a single resistor ( $R_{SET}$ ). Select the value of  $R_{SET}$  from [表 2](#) or calculate using [式 3](#):

$$R_{SET} = \frac{20}{\left[ \left( \frac{V_{OUT}}{1.011} \right) - 1 \right]} \quad (\text{k}\Omega) \quad (3)$$

Knowing the desired output voltage is 5 V, the  $R_{SET}$  value can then be calculated using [式 3](#) or selected from [表 2](#). The formula yields a value of 5.07 k $\Omega$ . Choose the closest available value of 5.11 k $\Omega$  for  $R_{SET}$ .

### 8.2.1.2.3 RT and RTSEL

The default switching frequency of the LMZ34202 is set to 500 kHz by leaving the RT pin open and the RTSEL pin open. The switching frequency of this application is 500-kHz, therefore no additional resistor is required to set the switching frequency. If another frequency is desired, use [表 3](#) to select the required resistor value.

### 8.2.1.2.4 VERSA-COMP

The Versa-Comp feature of the LMZ34202 configures the internal compensation based on the output voltage. From [表 8](#), the required Versa-Comp configuration for a 5-V output is to connect the VERSA-COMP pin to the VADJ pin.

### 8.2.1.2.5 VBSEL

The VBSEL pin allows the user to select the input source of the internal bias circuitry to improve efficiency. For output voltages  $\geq 4.5$  V, connect this pin to VOUT. For output voltages  $< 4.5$  V, connect this pin to AGND.

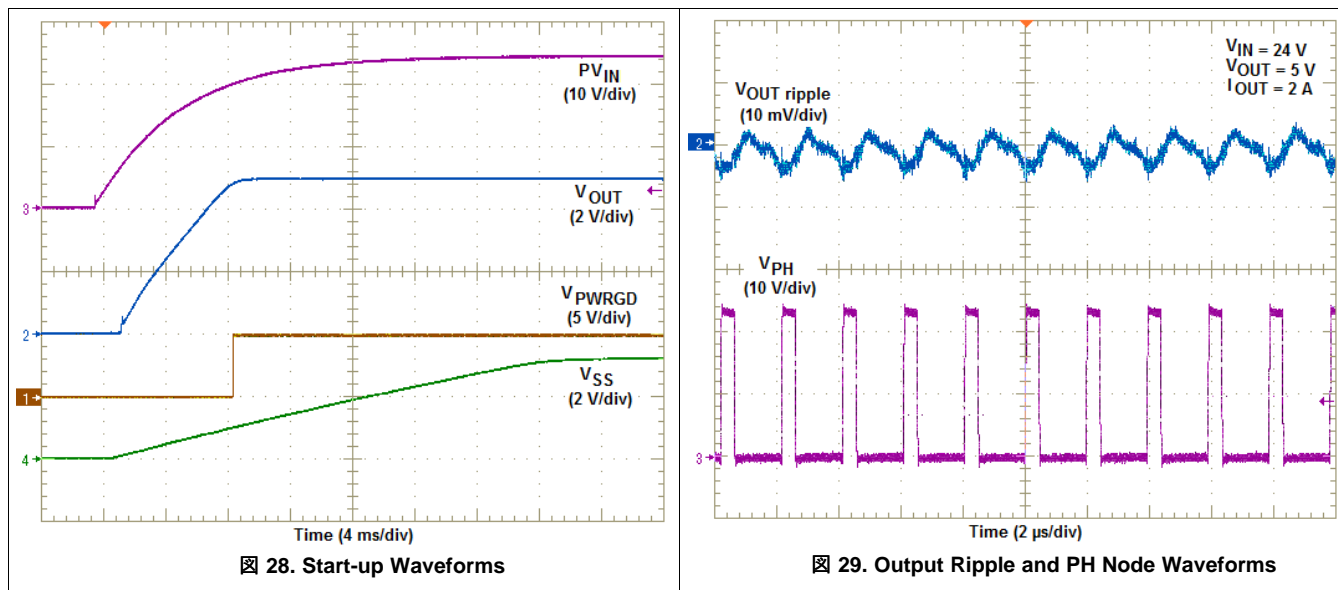
### 8.2.1.2.6 Input Capacitors

For this design, a 10- $\mu\text{F}$ , X7R dielectric ceramic capacitor rated for 50 V is used for the input decoupling capacitor. The effective capacitance at 24 V is 5.7  $\mu\text{F}$ , the equivalent series resistance (ESR) is approximately 3 m $\Omega$ , and the current-rating is 5 A.

### 8.2.1.2.7 Output Capacitors

The minimum required output capacitance for a 5 V output is 64  $\mu\text{F}$  of ceramic capacitance. For this design, a 100  $\mu\text{F}$ , X5R dielectric ceramic capacitor rated for 10 V is used for the output capacitor.

### 8.2.1.3 Application Curves



### 8.2.2 INH Control Application

Figure 30 shows a more typical use schematic which makes use of the INH control, Versa-Comp, SS, PWRGD and PWRGD\_PU features, along with adjusting the switching frequency with an external resistor. Setting these additional features is described below.

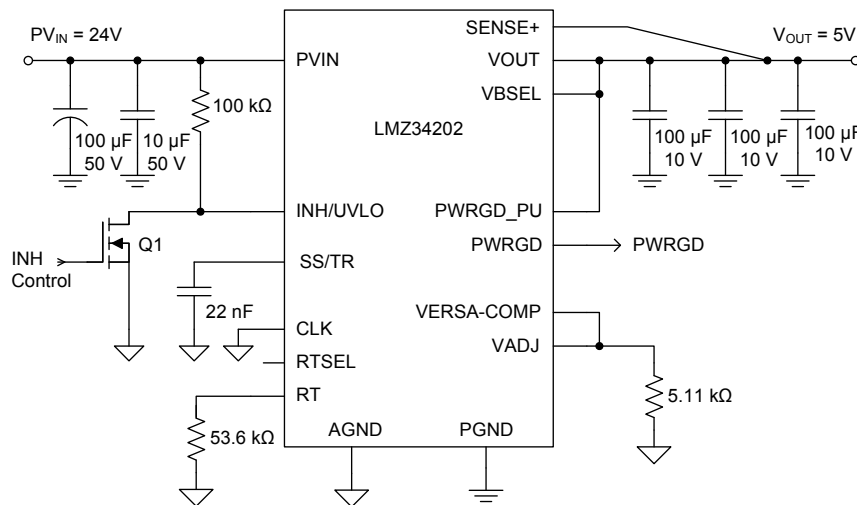


Figure 30. LMZ34202 Typical Schematic

#### 8.2.2.1 Design Requirements

For this design example, use the parameters listed in Table 13 as the input parameters. For the complete design procedures start with the procedures for the basic application above as well as the procedures listed below.

Table 13. Design Example Parameters

DESIGN PARAMETER	VALUE
Input Voltage PVIN	24 V typical
Output Voltage VOUT	5.0 V
Output Current Rating	2 A

**表 13. Design Example Parameters (continued)**

DESIGN PARAMETER	VALUE
Operating Frequency	750 kHz
Inhibit Control	Yes
Power Good Signal	Yes
Slow Start Time	10 ms
Output Capacitance	300 $\mu$ F

### 8.2.3 Detailed Design Procedure

#### 8.2.3.1 Switching Frequency

To adjust the switching frequency place a resistor between the RT pin (pin 9) and AGND. Refer to [表 3](#) to select the required value for  $R_{RT}$  resistor. To set the switching frequency to 750 kHz, the value for  $R_{RT}$  is 53.6 k $\Omega$ , selected from [表 3](#).

#### 8.2.3.2 Power Good

The PWRGD pin is an open drain output. The LMZ34202 includes an internal 100 k $\Omega$  pullup resistor between the PWRGD pin and the PWRGD\_PU pin. Connecting the PWRGD\_PU pin to a pullup voltage allows use of the PWRGD signal without adding an additional component. In this example, the 5-V output is used as the pullup voltage.

#### 8.2.3.3 Inhibit Control

To control the turn ON and OFF of the LMZ34202, an open-drain and collector device is recommended. The open-drain and collector device must be rated for the maximum voltage applied to PVIN. A pull-up resistor is required between the INH/UVLO pin and PVIN. Place a 100-k $\Omega$  resistor between the INH/UVLO pin and the PVIN pin.

#### 8.2.3.4 VERSA-COMP

The Versa-Comp feature of the LMZ34202 configures the internal compensation based on the output voltage. From [表 8](#), the required Versa-Comp configuration for a 5-V output is to connect the VERSA-COMP pin to the VADJ pin.

#### 8.2.3.5 VBSEL

The VBSEL pin allows the user to select the input source to the internal power circuitry to improve efficiency. For output voltages  $\geq 4.5$  V, connect this pin to VOUT. For output voltages  $< 4.5$  V, connect this pin to AGND.

#### 8.2.3.6 Soft-Start Capacitors

When the SS/TRK pin remains floating the LMZ34202 implements a typical soft-start time of 4.1 ms. In order to increase the slow start time, an external slow start capacitor,  $C_{SS}$  must be placed between the SS/TRK pin and AGND. Select a value for  $C_{SS}$  from [表 11](#).

For the desired soft-start time of 10 ms, a soft-start capacitor value of 22 nF is selected from [表 11](#).

#### 8.2.3.7 Input Capacitors

For this design, a 10- $\mu$ F ceramic capacitor plus a 100- $\mu$ F aluminum electrolytic capacitor, both rated for 50 V are used for the input decoupling capacitors.

#### 8.2.3.8 Output Capacitors

The maximum allowable output capacitance for a 5-V output is 350  $\mu$ F of capacitance. At least 64  $\mu$ F of capacitance must be ceramic type. For this design, 3 $\times$  100- $\mu$ F, X5R dielectric ceramic capacitors rated for 10 V are used for the output capacitors.



## 9 Power Supply Recommendations



The LMZ34202 is designed to operate from an input voltage supply range between 4.5 V and 42 V. This input supply should be well regulated and able to withstand maximum input current and maintain a stable voltage. The resistance of the input supply rail should be low enough that an input current transient does not cause a high enough drop at the LMZ34202 supply voltage that can cause a false UVLO fault triggering and system reset.

If the input supply is located more than a few inches from the LMZ34202 additional bulk capacitance may be required in addition to the ceramic bypass capacitors. The typical amount of bulk capacitance is 47  $\mu\text{F}$  or the typical amount of electrolytic capacitance is 100  $\mu\text{F}$ .

## 10 Layout

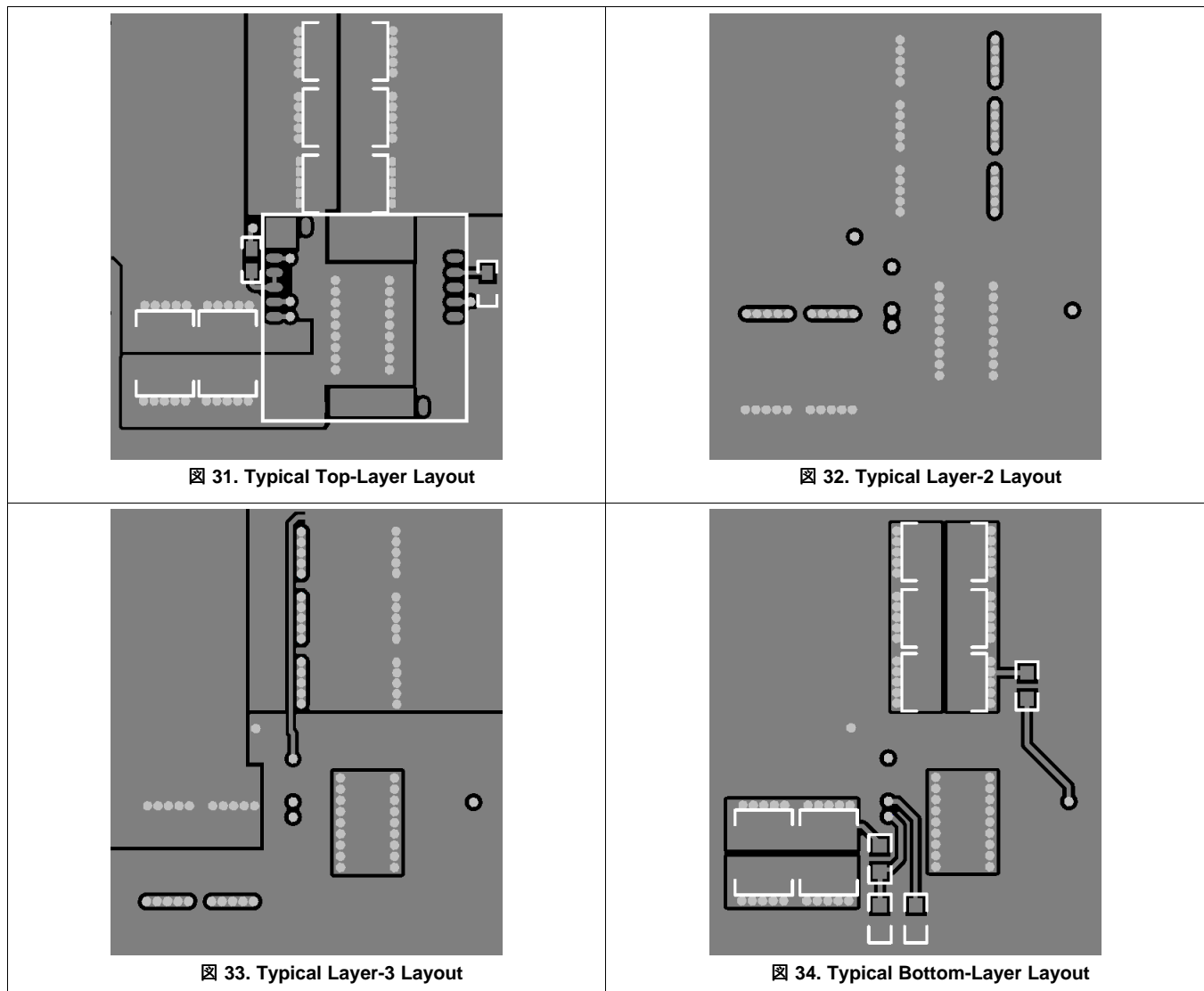
The performance of any switching power supply depends as much upon the layout of the PCB as the component selection. The following guidelines will help users design a PCB with the best power conversion performance, thermal performance, and minimized generation of unwanted EMI.

### 10.1 Layout Guidelines



























To achieve optimal electrical and thermal performance, an optimized PCB layout is required.  31 thru  34, shows a typical PCB layout. Some considerations for an optimized layout are:

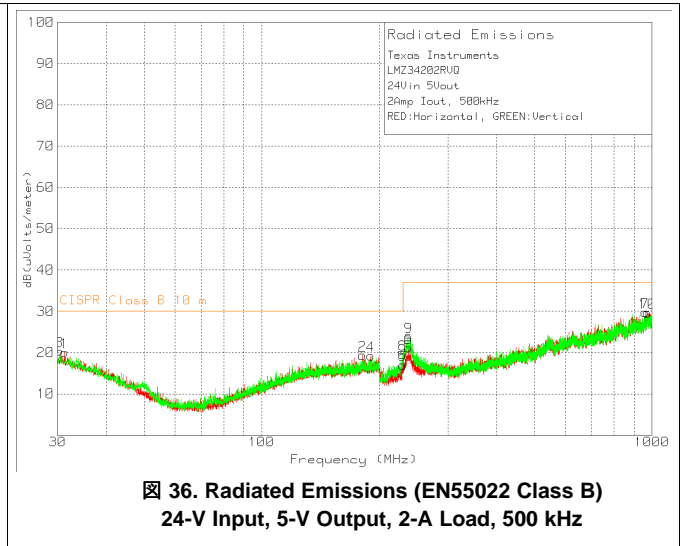
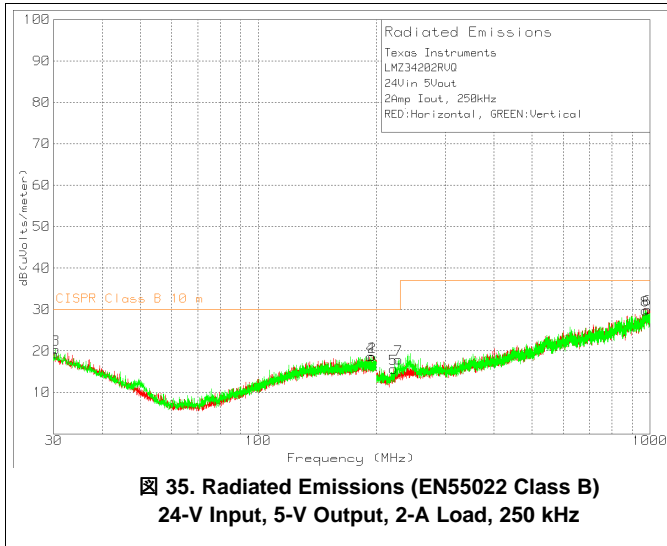
- Use large copper areas for power planes (PVIN, VOUT, and PGND) to minimize conduction loss and thermal stress.
- Place ceramic input and output capacitors close to the device pins to minimize high frequency noise.
- Locate additional output capacitors between the ceramic capacitor and the load.
- Keep AGND and PGND separate from one another. The connection is made internal to the device.
- Place  $R_{SET}$ ,  $R_{RT}$ , and  $C_{SS}$  as close as possible to their respective pins.
- Use multiple vias to connect the power planes to internal layers.

### 10.2 Layout Example



### 10.3 EMI

The LMZ34202 is compliant with EN55022 Class B radiated emissions.                           show typical examples of radiated emissions plots for the LMZ34202 operating from 24 V. Both graphs include the plots of the antenna in the horizontal and vertical positions.



## 11 デバイスおよびドキュメントのサポート

### 11.1 デバイス・サポート

#### 11.1.1 開発サポート

##### 11.1.1.1 WEBENCH®ツールによるカスタム設計

[ここをクリック](#)すると、WEBENCH® Power Designerにより、LMZ34202を使用するカスタム設計を作成できます。

1. 最初に、入力電圧( $V_{IN}$ )、出力電圧( $V_{OUT}$ )、出力電流( $I_{OUT}$ )の要件を入力します。
2. オプティマイザのダイヤルを使用して、効率、占有面積、コストなどの主要なパラメータについて設計を最適化します。
3. 生成された設計を、テキサス・インスツルメンツが提供する他の方式と比較します。

WEBENCH Power Designerでは、カスタマイズされた回路図と部品リストを、リアルタイムの価格と部品の在庫情報と併せて参照できます。

通常、次の操作を実行可能です。

- 電氣的なシミュレーションを実行し、重要な波形と回路の性能を確認する。
- 熱シミュレーションを実行し、基板の熱特性を把握する。
- カスタマイズされた回路図やレイアウトを、一般的なCADフォーマットで出力する。
- 設計のレポートをPDFで印刷し、設計を共有する。

WEBENCHツールの詳細は、[www.ti.com/WEBENCH](http://www.ti.com/WEBENCH)でご覧になれます。

#### 11.1.2 デベロッパー・ネットワークの製品に関する免責事項

デベロッパー・ネットワークの製品またはサービスに関するTIの出版物は、単独またはTIの製品、サービスと一緒に提供される場合に関係なく、デベロッパー・ネットワークの製品またはサービスの適合性に関する是認、デベロッパー・ネットワークの製品またはサービスの是認の表明を意味するものではありません。

### 11.2 ドキュメントの更新通知を受け取る方法

ドキュメントの更新についての通知を受け取るには、[ti.com](http://ti.com)のデバイス製品フォルダを開いてください。右上の隅にある「通知を受け取る」をクリックして登録すると、変更されたすべての製品情報に関するダイジェストを毎週受け取れます。変更の詳細については、修正されたドキュメントに含まれている改訂履歴をご覧ください。

### 11.3 コミュニティ・リソース

The following links connect to TI community resources. Linked contents are provided "AS IS" by the respective contributors. They do not constitute TI specifications and do not necessarily reflect TI's views; see TI's [Terms of Use](#).

**TI E2E™オンライン・コミュニティ** TIのE2E ( *Engineer-to-Engineer* ) コミュニティ。エンジニア間の共同作業を促進するために開設されたものです。e2e.ti.comでは、他のエンジニアに質問し、知識を共有し、アイデアを検討して、問題解決に役立てることができます。

**設計サポート** TIの設計サポート役に立つE2Eフォーラムや、設計サポート・ツールをすばやく見つけることができます。技術サポート用の連絡先情報も参照できます。

### 11.4 商標

E2E is a trademark of Texas Instruments.

WEBENCH is a registered trademark of Texas Instruments.

All other trademarks are the property of their respective owners.

### 11.5 静電気放電に関する注意事項



これらのデバイスは、限定的なESD(静電破壊)保護機能を内蔵しています。保存時または取り扱い時は、MOSゲートに対する静電破壊を防止するために、リード線同士をショートさせておくか、デバイスを導電フォームに入れる必要があります。

## 11.6 Glossary

[SLYZ022](#) — *TI Glossary*.

This glossary lists and explains terms, acronyms, and definitions.

## 12 メカニカル、パッケージ、および注文情報

以降のページには、メカニカル、パッケージ、および注文に関する情報が記載されています。これらの情報は、指定のデバイスに対して提供されている最新のデータです。このデータは予告なく変更されることがあり、ドキュメントが改訂される場合もあります。本データシートのブラウザ版を使用されている場合は、画面左側の説明をご覧ください。

**PACKAGING INFORMATION**

Orderable Device	Status (1)	Package Type	Package Drawing	Pins	Package Qty	Eco Plan (2)	Lead finish/ Ball material (6)	MSL Peak Temp (3)	Op Temp (°C)	Device Marking (4/5)	Samples
LMZ34202RVQR	ACTIVE	B3QFN	RVQ	43	500	RoHS Exempt & Green	NIPDAU	Level-3-245C-168 HR	-40 to 105	LMZ34202	<a href="#">Samples</a>
LMZ34202RVQT	ACTIVE	B3QFN	RVQ	43	250	RoHS & Green	NIPDAU	Level-3-245C-168 HR	-40 to 105	LMZ34202	<a href="#">Samples</a>

(1) The marketing status values are defined as follows:

**ACTIVE:** Product device recommended for new designs.

**LIFEBUY:** TI has announced that the device will be discontinued, and a lifetime-buy period is in effect.

**NRND:** Not recommended for new designs. Device is in production to support existing customers, but TI does not recommend using this part in a new design.

**PREVIEW:** Device has been announced but is not in production. Samples may or may not be available.

**OBSOLETE:** TI has discontinued the production of the device.

(2) **RoHS:** TI defines "RoHS" to mean semiconductor products that are compliant with the current EU RoHS requirements for all 10 RoHS substances, including the requirement that RoHS substance do not exceed 0.1% by weight in homogeneous materials. Where designed to be soldered at high temperatures, "RoHS" products are suitable for use in specified lead-free processes. TI may reference these types of products as "Pb-Free".

**RoHS Exempt:** TI defines "RoHS Exempt" to mean products that contain lead but are compliant with EU RoHS pursuant to a specific EU RoHS exemption.

**Green:** TI defines "Green" to mean the content of Chlorine (Cl) and Bromine (Br) based flame retardants meet JS709B low halogen requirements of <=1000ppm threshold. Antimony trioxide based flame retardants must also meet the <=1000ppm threshold requirement.

(3) MSL, Peak Temp. - The Moisture Sensitivity Level rating according to the JEDEC industry standard classifications, and peak solder temperature.

(4) There may be additional marking, which relates to the logo, the lot trace code information, or the environmental category on the device.

(5) Multiple Device Markings will be inside parentheses. Only one Device Marking contained in parentheses and separated by a "-" will appear on a device. If a line is indented then it is a continuation of the previous line and the two combined represent the entire Device Marking for that device.

(6) Lead finish/Ball material - Orderable Devices may have multiple material finish options. Finish options are separated by a vertical ruled line. Lead finish/Ball material values may wrap to two lines if the finish value exceeds the maximum column width.

**Important Information and Disclaimer:**The information provided on this page represents TI's knowledge and belief as of the date that it is provided. TI bases its knowledge and belief on information provided by third parties, and makes no representation or warranty as to the accuracy of such information. Efforts are underway to better integrate information from third parties. TI has taken and continues to take reasonable steps to provide representative and accurate information but may not have conducted destructive testing or chemical analysis on incoming materials and chemicals. TI and TI suppliers consider certain information to be proprietary, and thus CAS numbers and other limited information may not be available for release.

In no event shall TI's liability arising out of such information exceed the total purchase price of the TI part(s) at issue in this document sold by TI to Customer on an annual basis.



**TAPE AND REEL INFORMATION**

**QUADRANT ASSIGNMENTS FOR PIN 1 ORIENTATION IN TAPE**


\*All dimensions are nominal

Device	Package Type	Package Drawing	Pins	SPQ	Reel Diameter (mm)	Reel Width W1 (mm)	A0 (mm)	B0 (mm)	K0 (mm)	P1 (mm)	W (mm)	Pin1 Quadrant
LMZ34202RVQR	B3QFN	RVQ	43	500	330.0	24.4	10.35	10.35	4.6	16.0	24.0	Q2
LMZ34202RVQT	B3QFN	RVQ	43	250	330.0	24.4	10.35	10.35	4.6	16.0	24.0	Q2

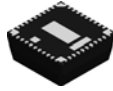


**TAPE AND REEL BOX DIMENSIONS**


\*All dimensions are nominal

Device	Package Type	Package Drawing	Pins	SPQ	Length (mm)	Width (mm)	Height (mm)
LMZ34202RVQR	B3QFN	RVQ	43	500	383.0	353.0	58.0
LMZ34202RVQT	B3QFN	RVQ	43	250	383.0	353.0	58.0

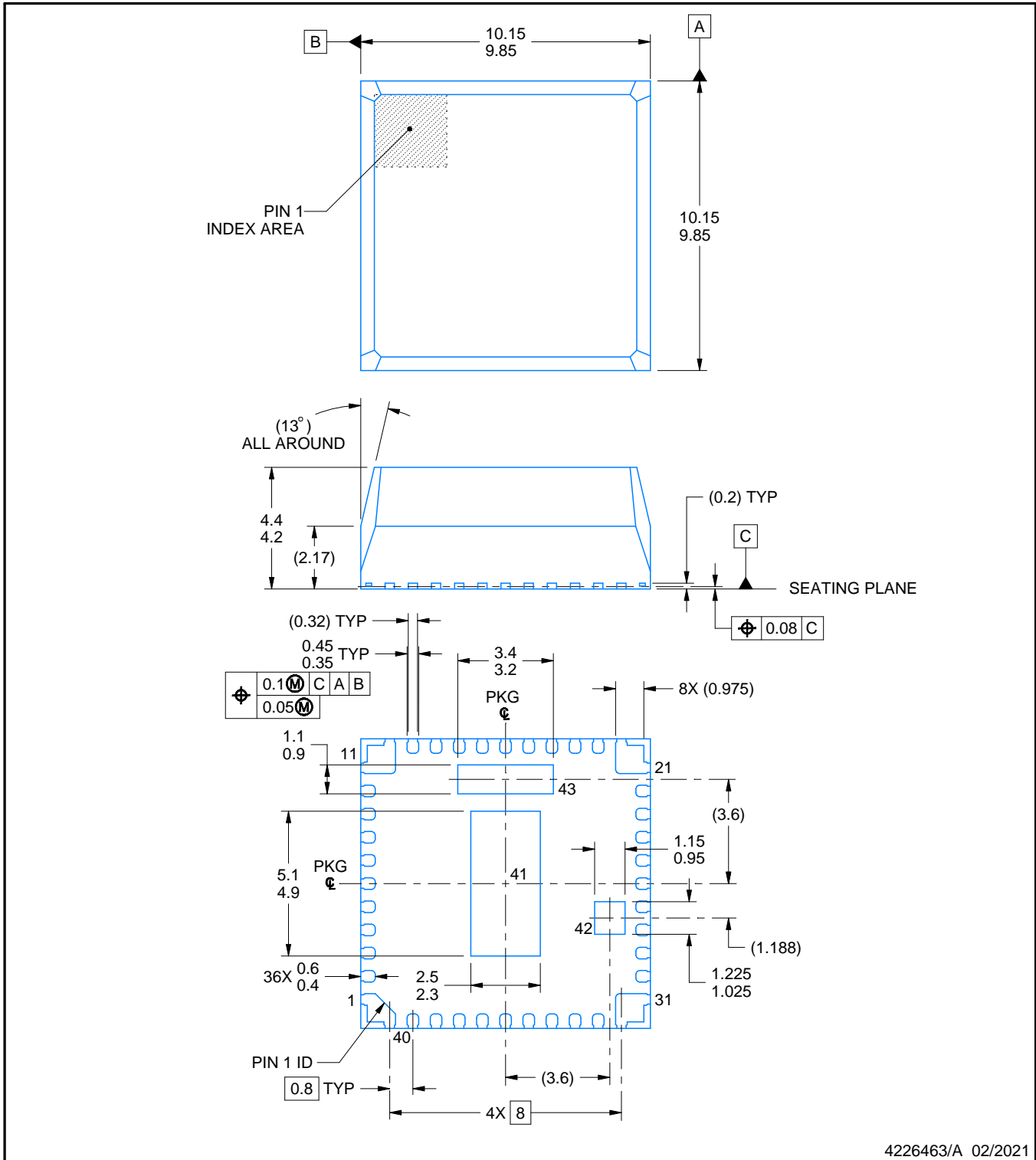
RVQ0043A



# PACKAGE OUTLINE

B3QFN - 4.4mm max height

PLASTIC QUAD FLATPACK - NO LEAD



4226463/A 02/2021

NOTES:

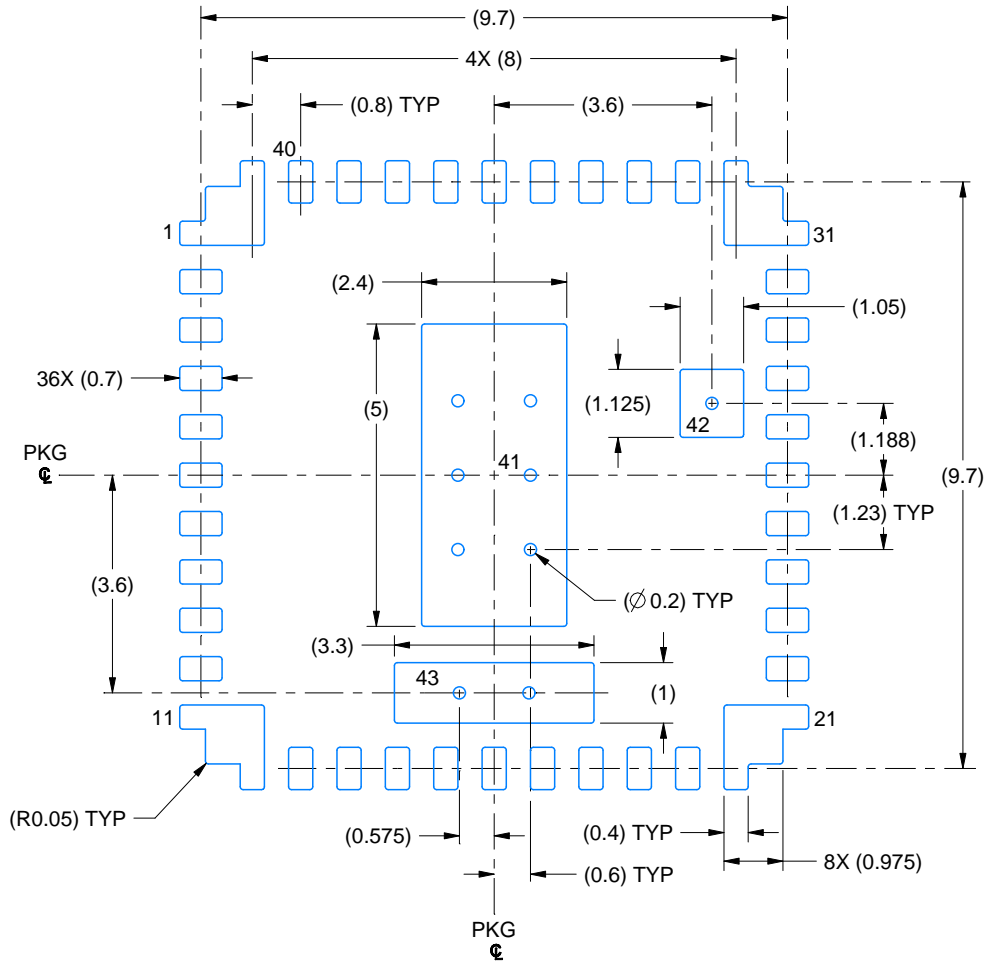
1. All linear dimensions are in millimeters. Any dimensions in parenthesis are for reference only. Dimensioning and tolerancing per ASME Y14.5M.
2. This drawing is subject to change without notice.
3. The package thermal pads must be soldered to the printed circuit board for optimal thermal and mechanical performance.

# EXAMPLE BOARD LAYOUT

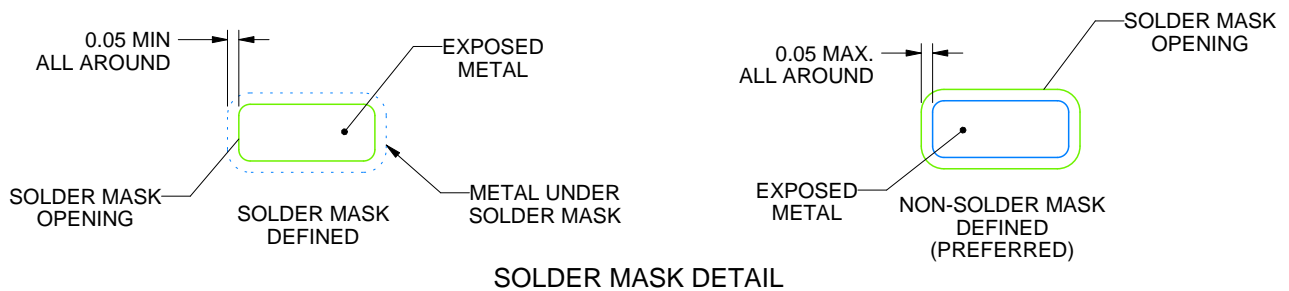
RVQ0043A

B3QFN - 4.4mm max height

PLASTIC QUAD FLATPACK - NO LEAD



LAND PATTERN EXAMPLE  
EXPOSED METAL SHOWN  
SCALE:8X



4226463/A 02/2021

NOTES: (continued)

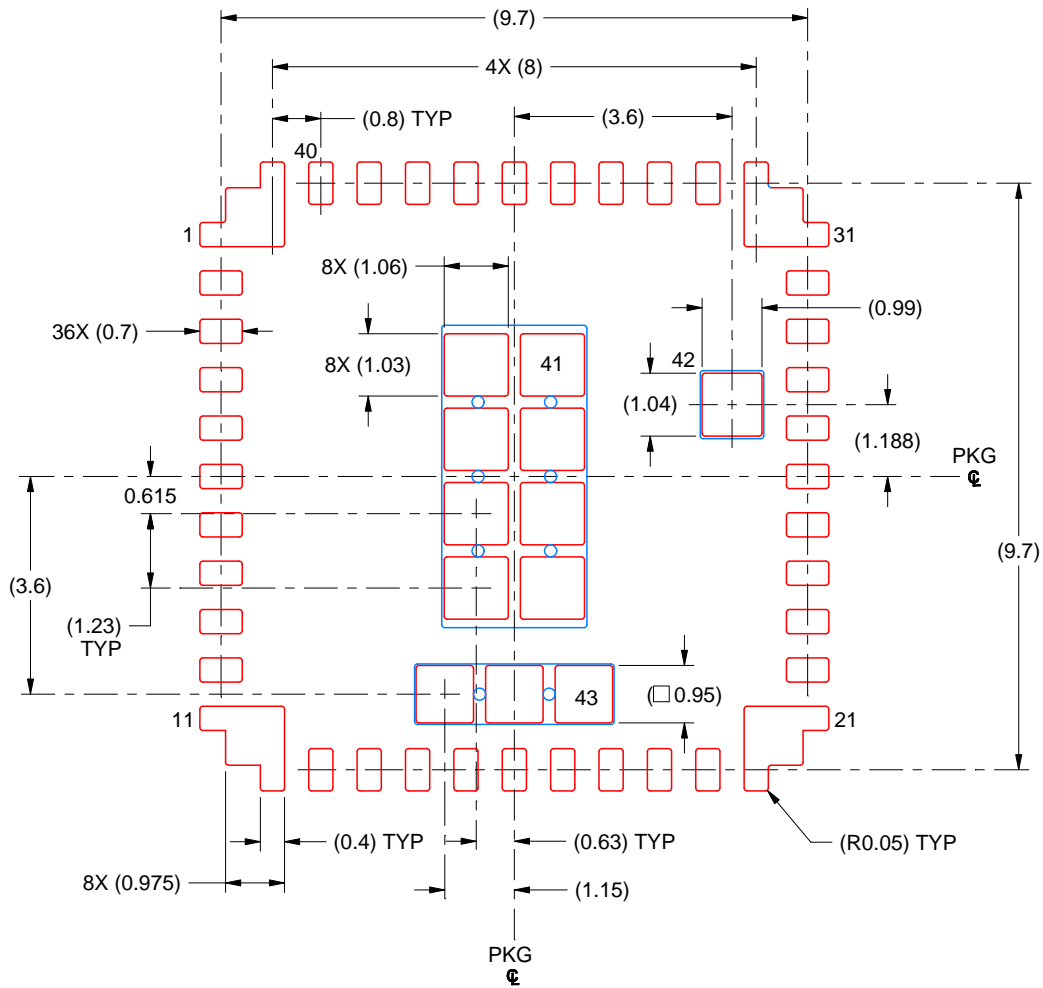
- This package designed to be soldered to a thermal pads on the board. For more information, see Texas Instruments literature number SLUA271 ([www.ti.com/lit/slue271](http://www.ti.com/lit/slue271)).
- Vias are optional depending on application, refer to device data sheet. If any vias are implemented, refer to their locations shown on this view. It is recommended that vias under paste be filled, plugged or tented.

# EXAMPLE STENCIL DESIGN

RVQ0043A

B3QFN - 4.4mm max height

PLASTIC QUAD FLATPACK - NO LEAD



**SOLDER PASTE EXAMPLE**  
 BASED ON 0.1 mm STENCIL THICKNESS

EXPOSED PAD 41:  
 73% PRINTED SOLDER COVERAGE BY AREA UNDER PACKAGE

EXPOSED PAD 42:  
 87% PRINTED SOLDER COVERAGE BY AREA UNDER PACKAGE

EXPOSED PAD 43:  
 82% PRINTED SOLDER COVERAGE BY AREA UNDER PACKAGE  
 SCALE:8X

4226463/A 02/2021

NOTES: (continued)

6. Laser cutting apertures with trapezoidal walls and rounded corners may offer better paste release. IPC-7525 may have alternate design recommendations.

## 重要なお知らせと免責事項

TI は、技術データと信頼性データ (データシートを含みます)、設計リソース (リファレンス・デザインを含みます)、アプリケーションや設計に関する各種アドバイス、Web ツール、安全性情報、その他のリソースを、欠陥が存在する可能性のある「現状のまま」提供しており、商品性および特定目的に対する適合性の黙示保証、第三者の知的財産権の非侵害保証を含むいかなる保証も、明示的または黙示的にかかわらず拒否します。

これらのリソースは、TI 製品を使用する設計の経験を積んだ開発者への提供を意図したものです。(1) お客様のアプリケーションに適した TI 製品の選定、(2) お客様のアプリケーションの設計、検証、試験、(3) お客様のアプリケーションが適用される各種規格や、その他のあらゆる安全性、セキュリティ、またはその他の要件を満たしていることを確実にする責任を、お客様のみが単独で負うものとします。上記の各種リソースは、予告なく変更される可能性があります。これらのリソースは、リソースで説明されている TI 製品を使用するアプリケーションの開発の目的でのみ、TI はその使用をお客様に許諾します。これらのリソースに関して、他の目的で複製することや掲載することは禁止されています。TI や第三者の知的財産権のライセンスが付与されている訳ではありません。お客様は、これらのリソースを自身で使用した結果発生するあらゆる申し立て、損害、費用、損失、責任について、TI およびその代理人を完全に補償するものとし、TI は一切の責任を拒否します。

TI の製品は、TI の販売約款 (<https://www.tij.co.jp/ja-jp/legal/terms-of-sale.html>)、または [ti.com](https://www.ti.com) やかかる TI 製品の関連資料などのいずれかを通じて提供する適用可能な条項の下で提供されています。TI がこれらのリソースを提供することは、適用される TI の保証または他の保証の放棄の拡大や変更を意味するものではありません。

日本語版 日本テキサス・インスツルメンツ合同会社  
Copyright © 2021, Texas Instruments Incorporated