

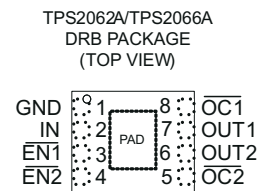
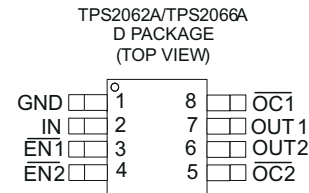
TPS206xA 2 チャンネル、電流制限、パワー ディストリビューション スイッチ

1 特長

- 70mΩ ハイサイド MOSFET
- 1A の連続電流
- 過熱および短絡保護
- 正確な電流制限 (最小 1.2A、最大 2A)
- 動作範囲: 2.7V~5.5V
- 0.6ms の立ち上がり時間 (代表値)
- 低電圧誤動作防止
- デグリッチ フォルト レポート (\overline{OCx})
- 電源投入時の \overline{OCx} グリッチなし
- スタンバイ時電源電流: 最大 1μA
- 双方向スイッチ
- 周囲温度範囲: -40°C~85°C
- ソフト・スタート内蔵
- UL 認定済み - ファイル番号 E169910 (単一と一括制御の両方のチャンネル構成)

2 アプリケーション

- 大きな容量性負荷
- 短絡保護



Enable inputs are active low for all TPS2062A and active high for all TPS2066A

3 概要

TPS206xA 配電スイッチは、大きな容量性負荷と短絡が発生しやすいアプリケーションを対象としています。TPS206xA ファミリーは TPS206x ファミリーとピン互換で、過電流許容範囲がより狭くなっています。このファミリーのデバイスは、複数のパワー スイッチを 1 つのパッケージに搭載する必要があるパワー ディストリビューション システム向けに、2 つの 70mΩ N チャンネル MOSFET パワー スイッチを内蔵しています。各スイッチは、ロジック イネーブル入力によって制御されます。ゲートドライブは、スイッチング中の電流サージを最小限に抑えるためにパワー スイッチの立ち上がり時間と立ち下がり時間を制御するように設計された、内部チャージ ポンプによって提供されています。チャージ ポンプには外付け部品が不要で、最低 2.7V の電源で動作できます。

各デバイスは、出力負荷が電流制限スレッシュホールドを超えたとき、あるいは短絡が存在するときに、定電流モードに切り替わることにより、出力電流を安全なレベルに制限します。個々のチャンネルは、対応する \overline{OCx} 出力 (アクティブ Low) をアサートすることで過電流状態の存在を示します。過熱保護回路は、過電流または短絡イベント中にデバイスをディセーブルにし、永続的な損傷を防止します。デバイスの温度が十分に低下すると、デバイスは自動的にサーマル シャットダウンから回復します。デバイスには低電圧誤動作防止機能があり、入力電圧が 2.0V を超えるまでデバイスをディセーブルにします。TPS206xA は、電流制限がチャンネルあたり標準 1.6A になるように設計されています。

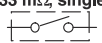
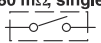
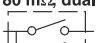
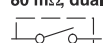
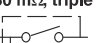
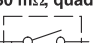
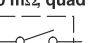
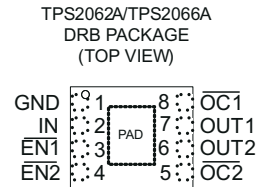
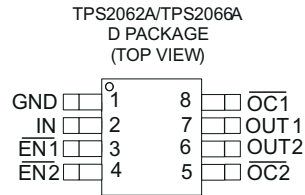
GENERAL SWITCH CATALOG						
33 mΩ, single	80 mΩ, single	80 mΩ, dual	80 mΩ, dual	80 mΩ, triple	80 mΩ, quad	80 mΩ, quad
 TPS201xA 0.2 A - 2 A TPS202x 0.2 A - 2 A TPS203x 0.2 A - 2 A	 TPS2014 600 mA TPS2015 1 A TPS2041B 500 mA TPS2051B 500 mA TPS2045A 250 mA TPS2049 100 mA TPS2055A 250 mA TPS2061 1 A TPS2065 1 A TPS2068 1.5 A TPS2069 1.5 A	 TPS2042B 500 mA TPS2052B 500 mA TPS2046B 250 mA TPS2056 250 mA TPS2062 1 A TPS2066 1 A TPS2060 1.5 A TPS2064 1.5 A	 TPS2080 500 mA TPS2081 500 mA TPS2082 500 mA TPS2090 250 mA TPS2091 250 mA TPS2092 250 mA	 TPS2043B 500 mA TPS2053B 500 mA TPS2047B 250 mA TPS2057A 250 mA TPS2063 1 A TPS2067 1 A	 TPS2044B 500 mA TPS2054B 500 mA TPS2048A 250 mA TPS2058 250 mA	 TPS2085 500 mA TPS2086 500 mA TPS2087 500 mA TPS2095 250 mA TPS2096 250 mA TPS2097 250 mA



Table of Contents

1 特長	1	8 Application Information	15
2 アプリケーション	1	8.1 Power-Supply Considerations.....	15
3 概要	1	8.2 Input and Output Capacitance.....	15
4 Pin Configuration and Functions	3	8.3 Power Dissipation and Junction Temperature.....	15
5 Specifications	4	8.4 Universal Serial Bus (USB) Applications.....	16
5.1 Absolute Maximum Ratings.....	4	8.5 Self-powered and Bus-Powered Hubs.....	16
5.2 Recommended Operating Conditions.....	4	8.6 Low-Power Bus-Powered And High-Power Bus- Powered Functions.....	17
5.3 Thermal Information.....	4	8.7 USB Power-Distribution Requirements.....	17
5.4 Electrical Characteristics.....	4	9 Device and Documentation Support	18
5.5 Typical Characteristics.....	6	9.1 ドキュメントの更新通知を受け取る方法.....	18
6 Parameter Measurement Information	9	9.2 サポート・リソース.....	18
7 Detailed Description	12	9.3 Trademarks.....	18
7.1 Overview.....	12	9.4 静電気放電に関する注意事項.....	18
7.2 Functional Block Diagram.....	12	9.5 用語集.....	18
7.3 Overcurrent.....	13	10 Revision History	18
7.4 \overline{OCx} Response.....	14	11 Mechanical, Packaging, and Orderable Information	19
7.5 Undervoltage Lockout (UVLO).....	14		
7.6 Enable (\overline{ENx} or ENx).....	14		
7.7 Thermal Sense.....	14		

4 Pin Configuration and Functions



Enable inputs are active low for all TPS2062A and active high for all TPS2066A

表 4-1. Terminal Functions

NAME	TERMINAL		I/O	DESCRIPTION
	TPS2062A	TPS2066A		
EN1	3	—	I	Enable input, logic low turns on power switch IN-OUT1
EN2	4	—	I	Enable input, logic low turns on power switch IN-OUT2
EN1	—	3	I	Enable input, logic high turns on power switch IN-OUT1
EN2	—	4	I	Enable input, logic high turns on power switch IN-OUT2
GND	1	1		Ground
IN	2	2	I	Input voltage
OC1	8	8	O	Channel 1 over-current indicator; the output is open-drain, active low type
OC2	5	5	O	Channel 2 over-current indicator; the output is open-drain, active low type
OUT1	7	7	O	Power-switch output, IN-OUT1
OUT2	6	6	O	Power-switch output, IN-OUT2
PowerPAD™ (1)	PAD	PAD		Connect PowerPAD to GND for proper operation (DRB package only)

(1) The PowePad must be connected externally to GND pin to meet qualifying conditions for CB Certificate (DRB package only)

5 Specifications

5.1 Absolute Maximum Ratings

over operating temperature range unless otherwise noted^{(1) (2)}

			VALUE	UNIT
V_I	Input voltage range	IN	-0.3 to 6	V
V_O	Output voltage range	OUTx	-0.3 to 6	V
V_I	Input voltage range	\overline{ENx} , ENx	-0.3 to 6	V
	Voltage range	\overline{OCx}	-0.3 to 6	V
I_O	Continuous output current	OUTx	Internally limited	
T_J	Operating junction temperature range		-40 to 125	°C
T_{stg}	Storage temperature range		-65 to 150	°C
ESD	Electrostatic discharge protection	Human body model MIL-STD-883C	2	kV
		Charge device model (CDM)	500	V

- (1) Stresses beyond those listed under *absolute maximum ratings* may cause permanent damage to the device. These are stress ratings only, and functional operation of the device at these or any other conditions beyond those indicated under *recommended operating conditions* is not implied. Exposure to absolute-maximum-rated conditions for extended periods may affect device reliability.
- (2) All voltages are with respect to GND.

5.2 Recommended Operating Conditions

		MIN	MAX	UNIT
V_I	Input voltage, IN	2.7	5.5	V
	Input voltage, \overline{ENx} , ENx	0	5.5	V
I_O	Continuous output current, OUTx	0	1	A
T_J	Operating virtual junction temperature	-40	125	°C

5.3 Thermal Information

THERMAL METRIC ⁽¹⁾		D (SOIC)	DRB (SON)	UNIT
		8 PINS	8 PINS	
$R_{\theta JA}$	Junction-to-ambient thermal resistance	119.3	47.5	°C/W°
$R_{\theta JC(top)}$	Junction-to-case (top) thermal resistance	67.6	53	
$R_{\theta JB}$	Junction-to-board thermal resistance	59.6	14.2	
ψ_{JT}	Junction-to-top characterization parameter	20.3	1.2	
ψ_{JB}	Junction-to-board characterization parameter	59.1	14.2	
$R_{\theta JC(bot)}$	Junction-to-case (bottom) thermal resistance	N/A	7.3	

- (1) For more information about traditional and new thermal metrics, see the [Semiconductor and IC Package Thermal Metrics](#) application report.

5.4 Electrical Characteristics

over recommended operating junction temperature range, $V_I = 5.5$ V, $I_O = 1$ A, $V_{\overline{ENx}} = 0$ V (TPS2062A) or $V_{ENx} = 5.5$ V (unless otherwise noted)

PARAMETER		TEST CONDITIONS ⁽¹⁾		MIN	TYP	MAX	UNIT
POWER SWITCH							
$r_{DS(on)}$	Static drain-source on-state resistance	2.7 V $\leq V_I \leq 5.5$ V, $I_O = 1$ A	$T_J = 25^\circ\text{C}$	70	100	m Ω	
			$-40^\circ\text{C} \leq T_J \leq 125^\circ\text{C}$		135		

5.4 Electrical Characteristics (続き)

over recommended operating junction temperature range, $V_I = 5.5\text{ V}$, $I_O = 1\text{ A}$, $V_{ENx} = 0\text{ V}$ (TPS2062A) or $V_{ENx} = 5.5\text{ V}$ (unless otherwise noted)

PARAMETER		TEST CONDITIONS ⁽¹⁾		MIN	TYP	MAX	UNIT
t_r	Rise time, output	$V_I = 5.5\text{ V}$	$C_L = 1\ \mu\text{F}$, $R_L = 5\ \Omega$, $T_J = 25^\circ\text{C}$	0.6	1.5	ms	
		$V_I = 2.7\text{ V}$		0.4	1		
t_f	Fall time, output	$V_I = 5.5\text{ V}$		0.05	0.5		
		$V_I = 2.7\text{ V}$		0.05	0.5		
ENABLE INPUT $\overline{\text{EN}}$ OR EN							
V_{IH}	High-level input voltage	$2.7\text{ V} \leq V_I \leq 5.5\text{ V}$		2		V	
V_{IL}	Low-level input voltage			0.8			
I_I	Input current			-0.5	0.5	μA	
t_{on}	Turnon time	$C_L = 100\ \mu\text{F}$, $R_L = 5\ \Omega$				3	
t_{off}	Turnoff time					3	
CURRENT LIMIT							
I_{OS}	Short-circuit output current per channel	$V_I = 5\text{ V}$, OUTx connected to GND, device enabled into short-circuit	$T_J = 25^\circ\text{C}$	1.2	1.6	2.0	A
				$-40^\circ\text{C} \leq T_J \leq 125^\circ\text{C}$		1.1	
$I_{OC}^{(2)}$	Overcurrent trip threshold	$V_{IN} = 5\text{ V}$	TPS2062ADRB, TPS2066AD, TPS2066ADRB	I_{OS}	2.1	2.45	A
I_{OS_G}	Ganged short-circuit output current	$V_I = 5\text{ V}$, OUT1 & OUT2 connected to GND, device enabled into short-circuit	$T_J = 25^\circ\text{C}$	2.4	3.2	4.0	A
				$-40^\circ\text{C} \leq T_J \leq 125^\circ\text{C}$		2.2	
$I_{OC_G}^{(2)}$	Ganged overcurrent trip threshold	$V_I = 5\text{ V}$, OUT1 & OUT2 tied together	TPS2062ADRB, TPS2066AD, TPS2066ADRB	I_{OS_G}	4.2	4.9	A
SUPPLY CURRENT (All devices excluding TPS2062AD)							
I_{IL}	Supply current, device disabled	No load on OUT	$T_J = 25^\circ\text{C}$	0.5	1	μA	
				$-40^\circ\text{C} \leq T_J \leq 125^\circ\text{C}$			0.5
I_{IH}	Supply current, device enabled	No load on OUT	$T_J = 25^\circ\text{C}$	50	60	μA	
				$-40^\circ\text{C} \leq T_J \leq 125^\circ\text{C}$			50
I_{lkg}	Leakage current, device disabled	OUT connected to ground	$-40^\circ\text{C} \leq T_J \leq 125^\circ\text{C}$	1		μA	
Reverse leakage current		$V_O = 5.5\text{ V}$, $V_I = 0\text{ V}$	$T_J = 25^\circ\text{C}$	0.2		μA	
SUPPLY CURRENT (TPS2062AD)							
I_{IL}	Supply current, device disabled	No load on OUT	$T_J = 25^\circ\text{C}$	0.5	1	μA	
				$-40^\circ\text{C} \leq T_J \leq 125^\circ\text{C}$			0.5
I_{IH}	Supply current, device enabled	No load on OUT	$T_J = 25^\circ\text{C}$	95	120	μA	
				$-40^\circ\text{C} \leq T_J \leq 125^\circ\text{C}$			95
I_{lkg}	Leakage current, device disabled	OUT connected to ground	$-40^\circ\text{C} \leq T_J \leq 125^\circ\text{C}$	1		μA	
Reverse leakage current		$V_O = 5.5\text{ V}$, $V_I = 0\text{ V}$	$T_J = 25^\circ\text{C}$	0.2		μA	
UNDERVOLTAGE LOCKOUT (All devices excluding TPS2062AD)							
Low-level input voltage, IN		V_I rising		2	2.5	V	
Hysteresis, IN		V_I falling		75		mV	
UNDERVOLTAGE LOCKOUT (TPS2062AD)							
Low-level input voltage, IN		V_I rising		2	2.6	V	
Hysteresis, IN		V_I falling		75		mV	
OVERCURRENT FLAG							
V_{OL}	Output low voltage, $\overline{\text{OC}}$	$I_{OCx} = 5\text{ mA}$		0.4		V	
Off-state current		$V_{IOCx} = 5.0\text{ V}$ or 3.3 V		1		μA	
$\overline{\text{OC}}$ deglitch		$\overline{\text{OCx}}$ assertion or de-assertion		4	8	15	ms
THERMAL SHUTDOWN⁽³⁾							
Thermal shutdown threshold				135		$^\circ\text{C}$	
Recovery from thermal shutdown				125		$^\circ\text{C}$	

5.4 Electrical Characteristics (続き)

over recommended operating junction temperature range, $V_I = 5.5\text{ V}$, $I_O = 1\text{ A}$, $V_{ENx} = 0\text{ V}$ (TPS2062A) or $V_{ENx} = 5.5\text{ V}$ (unless otherwise noted)

PARAMETER	TEST CONDITIONS ⁽¹⁾	MIN	TYP	MAX	UNIT
Hysteresis			10		°C

- (1) Pulsed load testing used to maintain junction temperature close to ambient
- (2) TPS2062AD does not have an overcurrent trip threshold. The current limit is defined by I_{OS} . See [セクション 7.3](#) for more details.
- (3) The thermal shutdown only reacts under overcurrent conditions.

5.5 Typical Characteristics

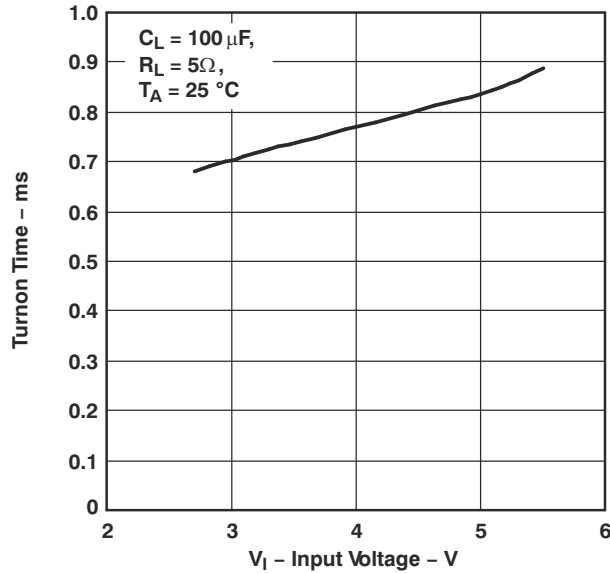


図 5-1. Turnon Time vs Input Voltage

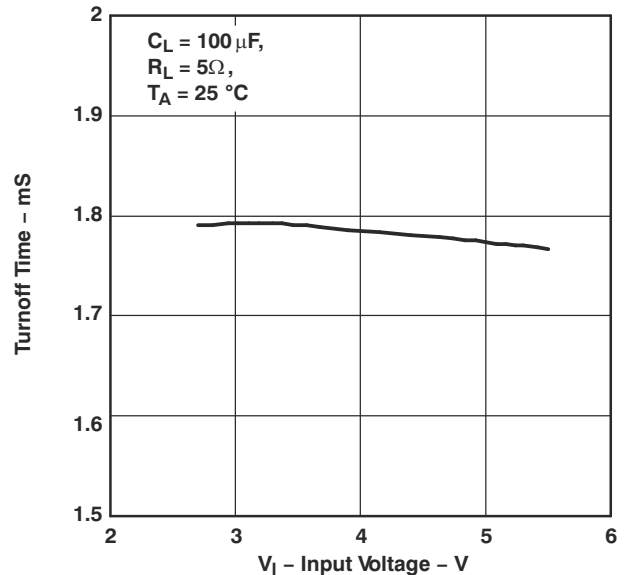


図 5-2. Turnoff Time vs Input Voltage

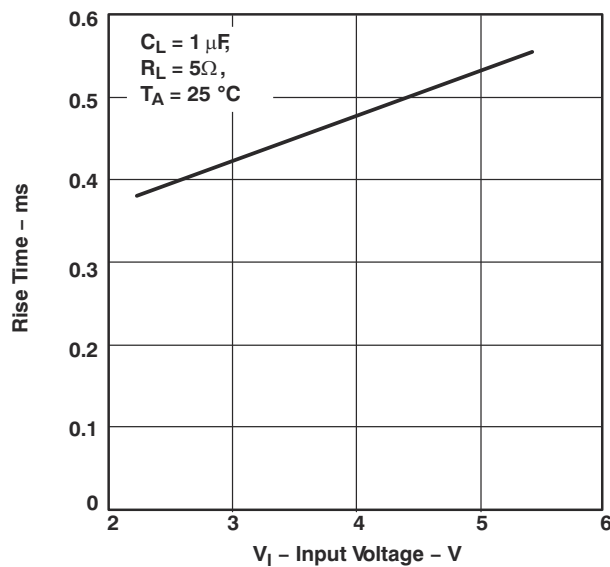


図 5-3. Rise Time vs Input Voltage

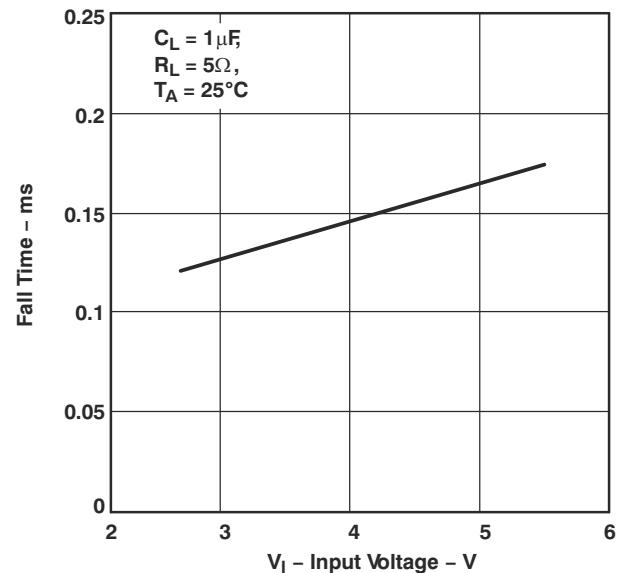
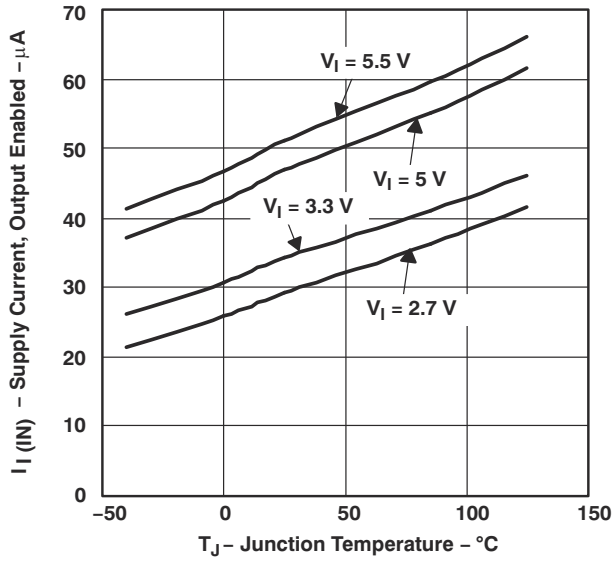
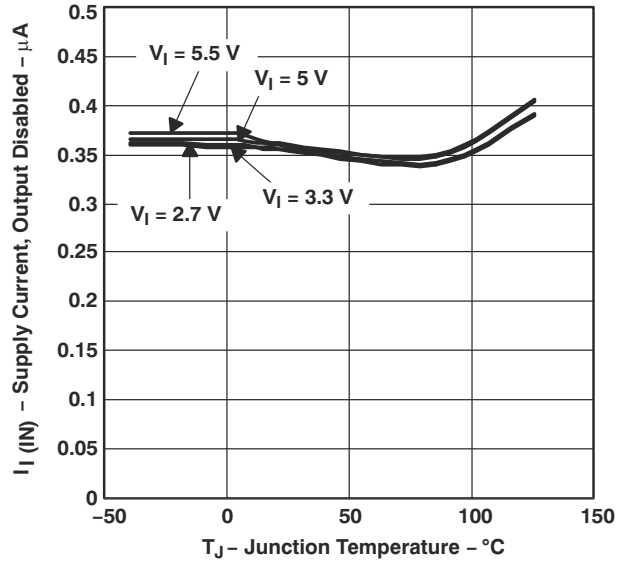


図 5-4. Fall Time vs Input Voltage

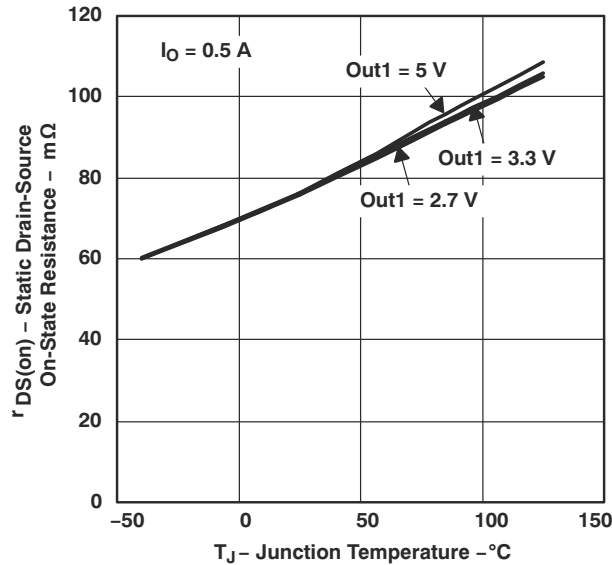
5.5 Typical Characteristics (continued)



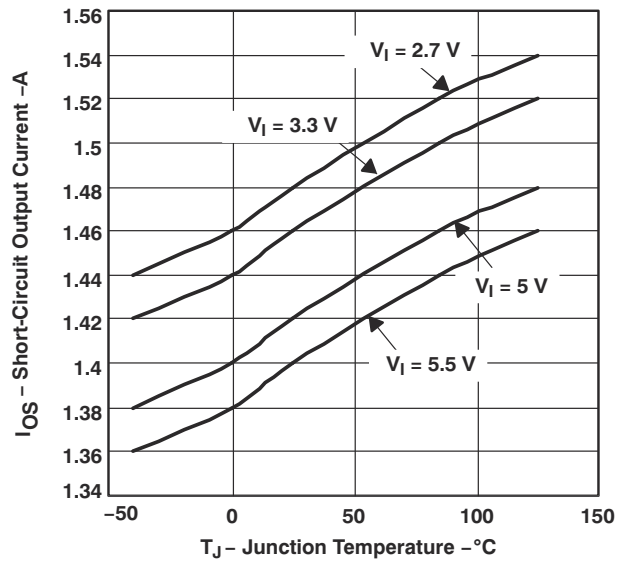
5-5. TPS2062A, TPS2066A Supply Current, Output Enabled vs Junction Temperature



5-6. TPS2062A, TPS2066A Supply Current, Output Disabled vs Junction Temperature



5-7. Static Drain-Source On-State Resistance vs Junction Temperature



5-8. Short-Circuit Output Current vs Junction Temperature

5.5 Typical Characteristics (continued)

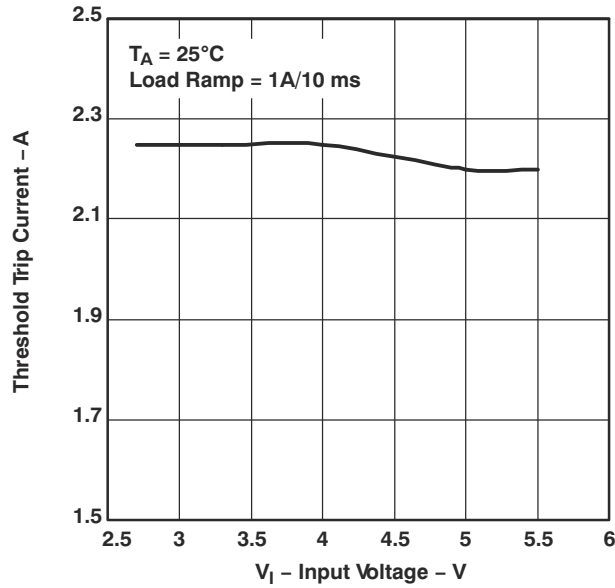


Figure 5-9. Threshold Trip Current vs Input Voltage

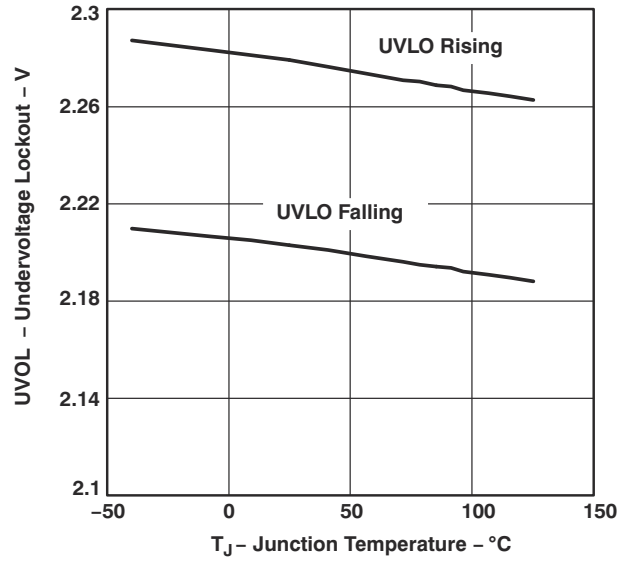


Figure 5-10. Undervoltage Lockout vs Junction Temperature

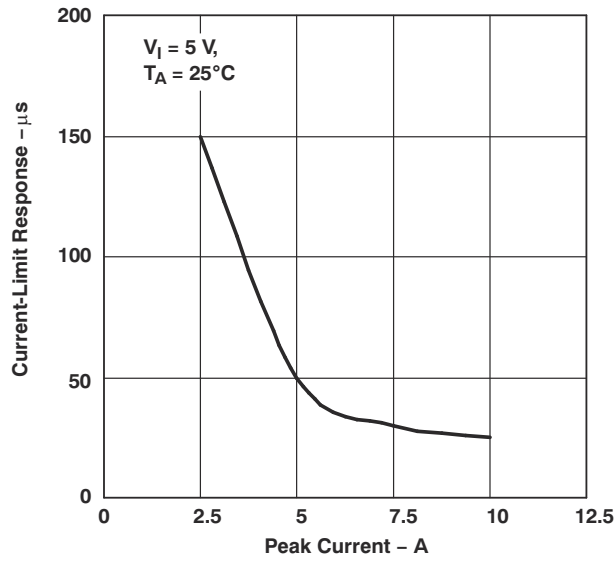


Figure 5-11. Current-Limit Response vs Peak Current

6 Parameter Measurement Information

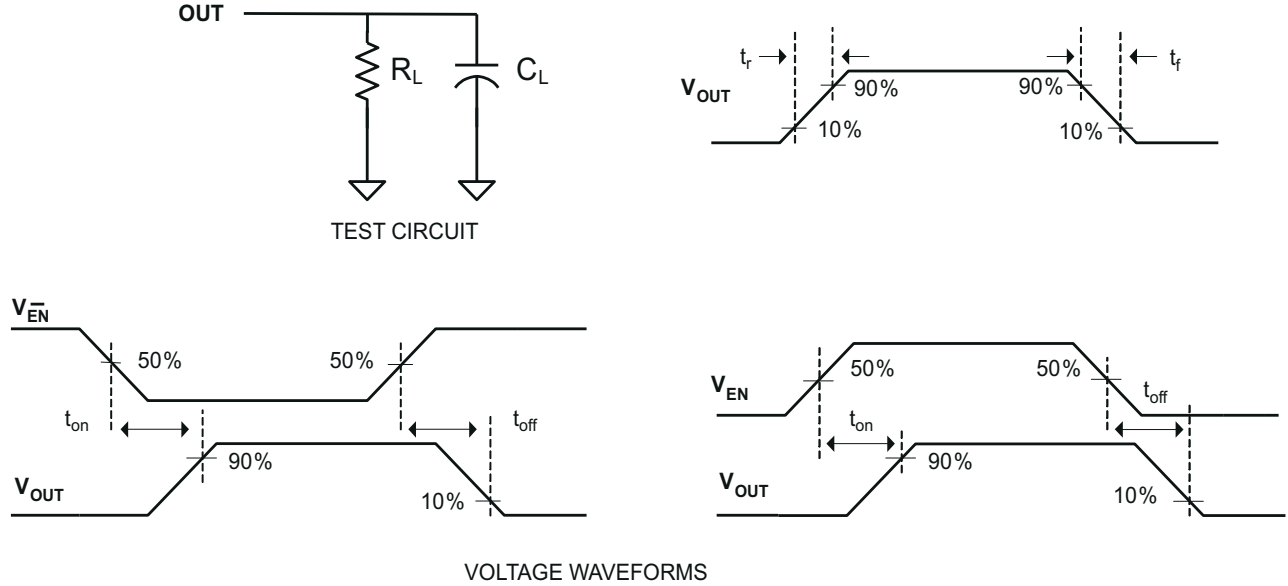


图 6-1. Test Circuit and Voltage Waveforms

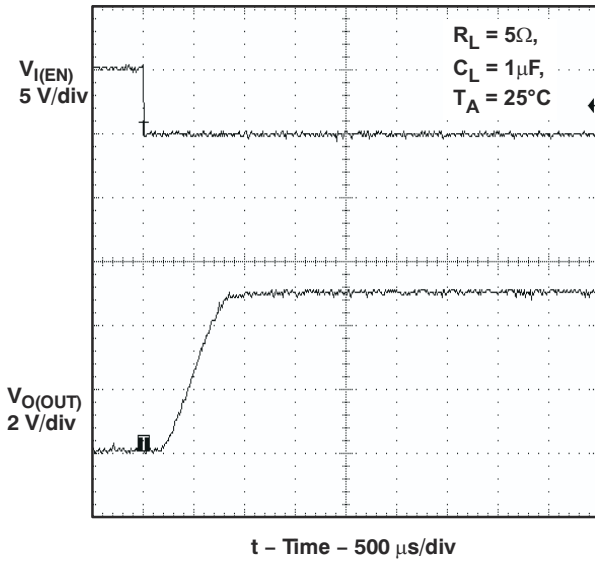


图 6-2. Turnon Delay and Rise Time With 1- μF Load

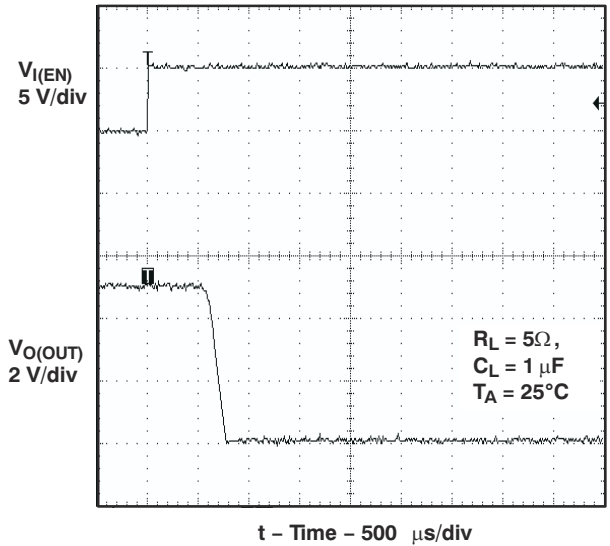


图 6-3. Turnoff Delay and Fall Time With 1- μF Load

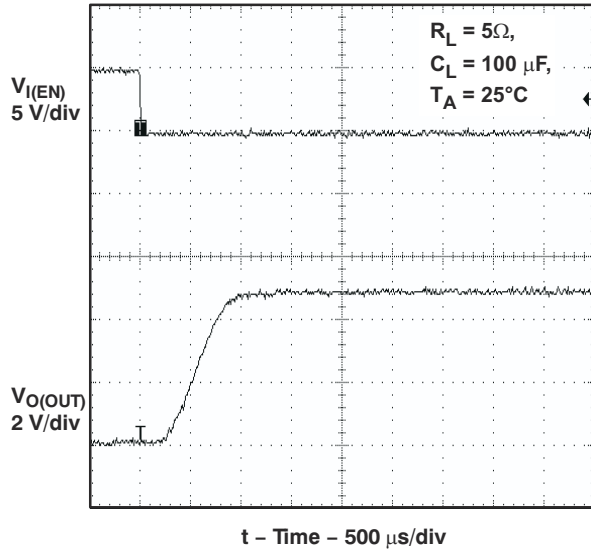


图 6-4. Turnon Delay and Rise Time With 100- μF Load

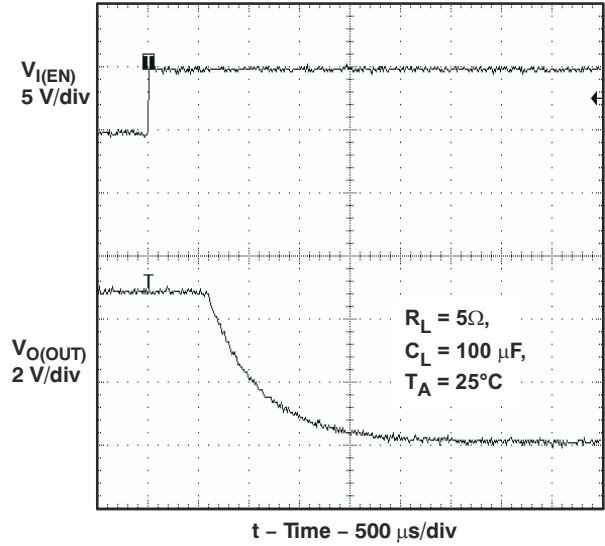


图 6-5. Turnoff Delay and Fall Time With 100- μF Load

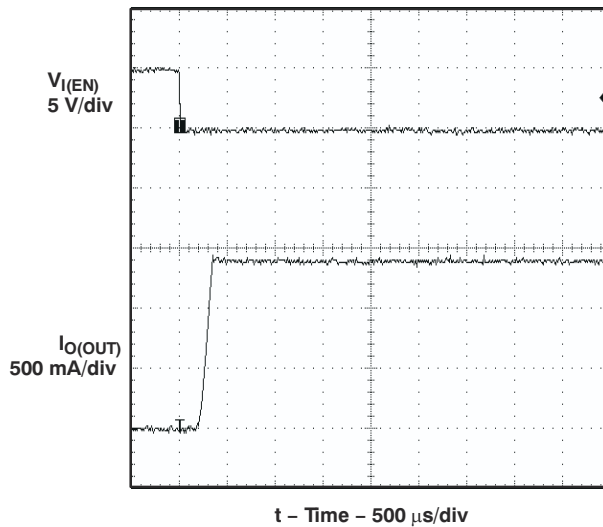


图 6-6. Short-Circuit Current, Device Enabled Into Short

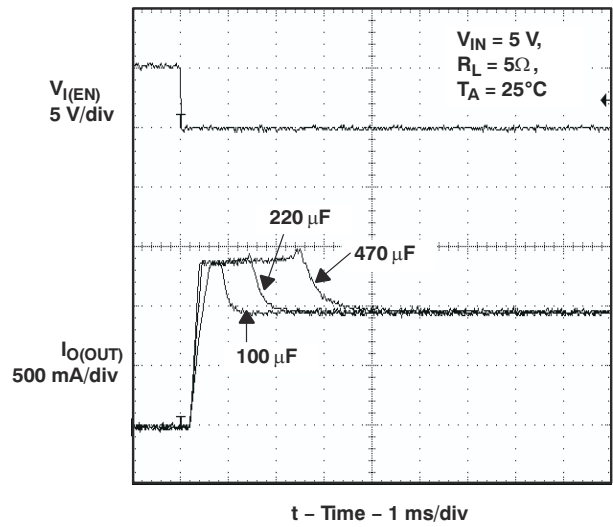
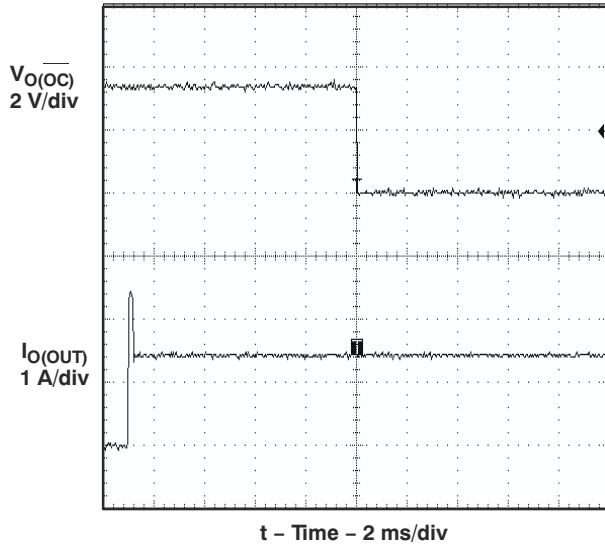
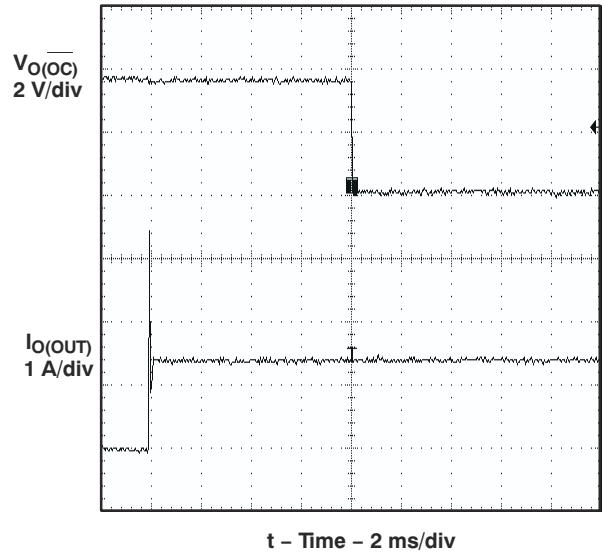


图 6-7. Inrush Current With Different Load Capacitance




6-8. 2-Ω Load Connected to Enabled Device




6-9. 1-Ω Load Connected to Enabled Device

7 Detailed Description

表 7-1. Package Information

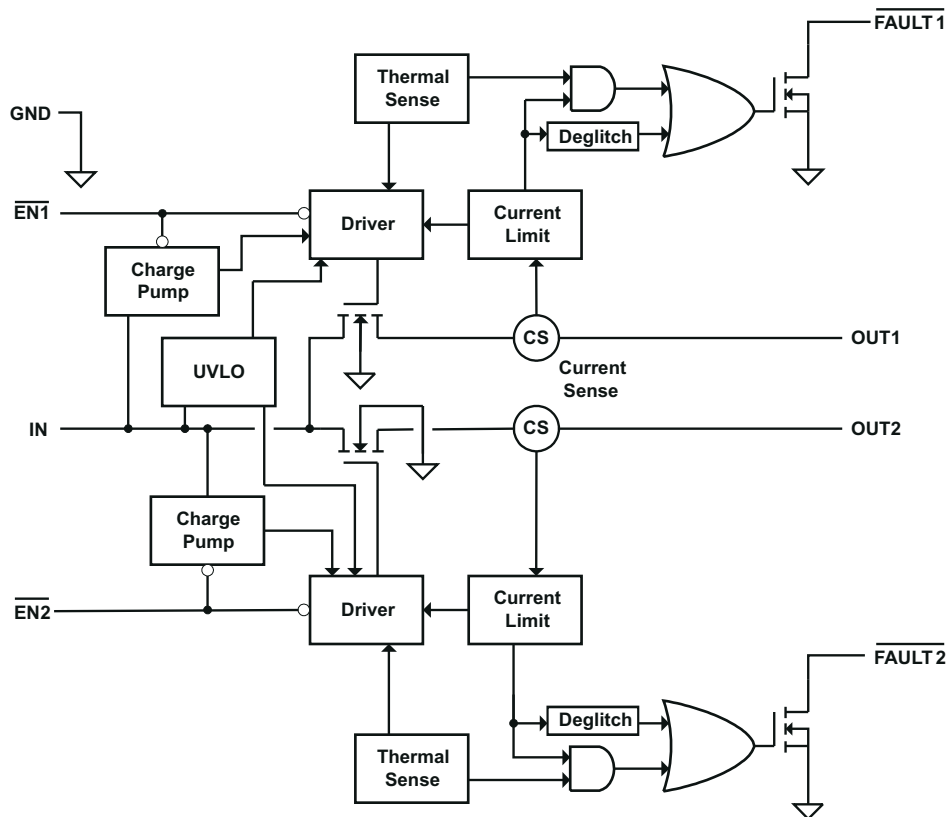
T _A	ENABLE	RECOMMENDED MAXIMUM CONTINUOUS LOAD CURRENT	TYPICAL SHORT-CIRCUIT LIMIT	PACKAGE ⁽¹⁾			
				D-8 (SOIC)		DRB-8 (SON)	
				PART #	STATUS	PART #	STATUS
-40°C to 85°C	Active low	1 A	1.6 A	TPS2062AD	AVAILABLE	TPS2062ADRB	AVAILABLE
	Active high			TPS2066AD	AVAILABLE	TPS2066ADRB	AVAILABLE

(1) For the most current package and ordering information, see the Package Option Addendum at the end of this document, or see the TI website at www.ti.com.

7.1 Overview

The devices are current-limited, power distribution switches using N-channel MOSFETs for applications where short-circuits or heavy capacitive loads are encountered. These devices have a minimum fixed current-limit threshold above 1.1A allowing for continuous operation up to 1A per channel. Overtemperature protection is an additional device shutdown feature. Each device incorporates an internal charge pump and gate drive circuitry necessary to drive the N-channel MOSFETs. The charge pump supplies power to the driver circuit and provides the necessary voltage to pull the gate of the MOSFET above the source. The charge pump operates from input voltages as low as 2.7V and requires little supply current. The driver controls the gate voltage of the power switch. The driver incorporates circuitry that controls the rise and fall times of the output voltage to provide "soft-start" and to limit large current and voltage surges.

7.2 Functional Block Diagram



- A. Current sense
- B. Active low (\overline{ENx}) for TPS2062A. Active high (ENx) for TPS2066A.

7.3 Overcurrent

A sense FET is employed to check for overcurrent conditions. Unlike current-sense resistors, sense FETs do not increase the series resistance of the current path. When an overcurrent condition is detected, the device maintains a constant output current and reduces the output voltage accordingly. Complete shutdown occurs only if the fault is present long enough to activate thermal limiting.

There are two kinds of current limit profiles for the TPS206xA devices.

The TPS2062ADRB, TPS2066ADRB, and TPS2066AD have an output I vs V characteristic similar to the plot labeled **Current Limit with Peaking** in [Figure 7-1](#). This type of limiting can be characterized by two parameters, the overcurrent trip threshold (I_{OC}), and the short-circuit output current threshold (I_{OS}).

The TPS2062AD has an output I vs V characteristic similar to the plot labeled **Flat Current Limit** in [Figure 7-1](#). This type of limiting can be characterized by one parameter, the short circuit current (I_{OS}).

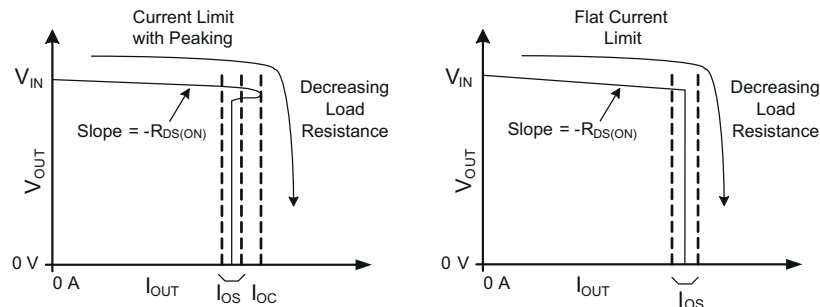


Figure 7-1. Current Limit Profiles

7.3.1 Overcurrent Conditions (TPS2062ADRB, TPS2066ADRB, and TPS2066AD)

Three possible overload conditions can occur for the TPS2062ADRB, TPS2066ADRB, and TPS2066AD. In the first condition, the output has been shorted before the device is enabled or before $V_{I(IN)}$ has been applied (see [Figure 6-6](#) through [Figure 6-9](#)). The TPS2062ADRB, TPS2066ADRB, and TPS2066AD senses the short and immediately switches into a constant-current output.

In the second condition, a short or an overload occurs while the device is enabled. At the instant the overload occurs, high currents may flow for a short period of time before the current-limit circuit can react. After the current-limit circuit has tripped (reached the overcurrent trip threshold (I_{OC})), the device switches into constant-current mode and current is limited at the short-circuit output current threshold (I_{OS}).

In the third condition, the load has been gradually increased beyond the recommended operating current. The current is permitted to rise until the overcurrent trip threshold (I_{OC}) is reached or until the thermal limit of the device is exceeded. The TPS2062ADRB, TPS2066ADRB, and TPS2066AD are capable of delivering current up to the current-limit threshold without damaging the device. Once the overcurrent trip threshold (I_{OC}) has been reached, the device switches into its constant-current mode current is limited at the short-circuit output current threshold (I_{OS}).

7.3.2 Overcurrent Conditions (TPS2062AD)

Three possible overload conditions can occur for the TPS2062AD. In the first condition, the output has been shorted before the device is enabled or before $V_{I(IN)}$ has been applied. The TPS2062AD senses the short and immediately switches into a constant-current output.

In the second condition, a short or an overload occurs while the device is enabled. At the instant the overload occurs, high currents may flow for a short period of time before the current-limit circuit can react. After the short-circuit output current threshold (I_{OS}) is reached, the device switches into constant-current mode.

In the third condition, the load has been gradually increased beyond the recommended operating current. After the short-circuit output current threshold (I_{OS}) is reached, the device switches into constant-current mode.

7.4 $\overline{\text{OCx}}$ Response

Each $\overline{\text{OCx}}$ open-drain output is asserted (active low) during an overcurrent or overtemperature condition on that channel. The output remains asserted until the fault condition is removed. The TPS206xA eliminates false $\overline{\text{OCx}}$ reporting by using internal delay circuitry after entering or leaving an overcurrent condition. This "deglitch" time is approximately 8-ms and ensures that $\overline{\text{OCx}}$ is not accidentally asserted due to normal operation such as starting into a heavy capacitive load. Overtemperature conditions are not deglitched and assert and de-assert the $\overline{\text{OCx}}$ signal immediately.

7.5 Undervoltage Lockout (UVLO)

The undervoltage lockout (UVLO) circuit disables the power switch until the input voltage reaches the UVLO turn-on threshold. Built-in hysteresis prevents unwanted on/off cycling due to input voltage drop from large current surges.

7.6 Enable ($\overline{\text{ENx}}$ or ENx)

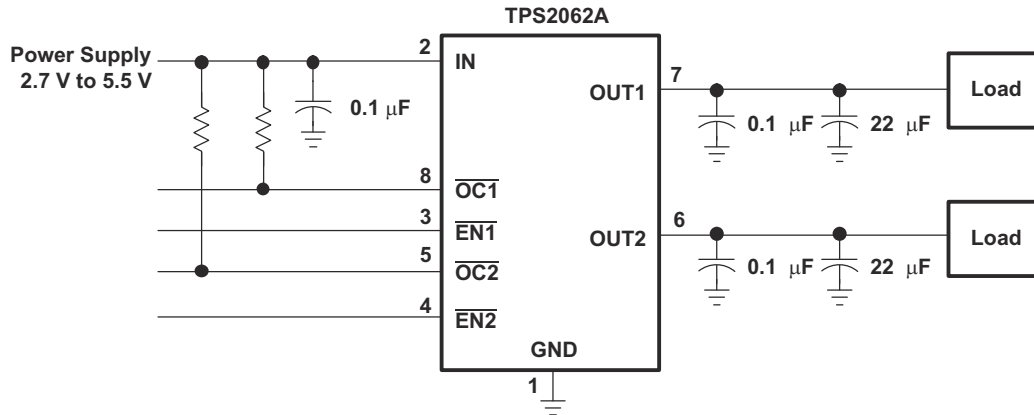
The logic enable controls the power switch, bias for the charge pump, driver, and other circuits to reduce the supply current. The supply current is reduced to less than 5 μA when a logic high is present on $\overline{\text{ENx}}$, or when a logic low is present on ENx. A logic low input on $\overline{\text{ENx}}$ or a logic high input on ENx enables the driver, control circuits, and power switch for that channel.

7.7 Thermal Sense

The TPS206xA monitors the operating temperature of both power distribution switches with individual thermal sensors. The junction temperature of each channel rises during an overcurrent or short-circuit condition. When the die temperature of a particular channel rises above a minimum of 135°C in an overcurrent condition, the internal thermal sense circuitry disables the individual channel in overtemperature to prevent damage. Hysteresis is built into the thermal sensor and re-enables the power switch individually after it has cooled approximately 10°C. The power switch cycles on and off until the fault is removed. This topology allows one channel to continue normal operation even if the other channel is in an overtemperature condition. The open-drain overcurrent flag ($\overline{\text{OCx}}$) is asserted (active low) corresponding to the channel that is in an overtemperature or overcurrent condition.

8 Application Information

8.1 Power-Supply Considerations



☒ 8-1. Typical Application

8.2 Input and Output Capacitance

Input and output capacitance improve the performance of the device; the actual capacitance must be optimized for the particular application. For all applications, a 0.01 μF to 0.1 μF ceramic bypass capacitor between IN and GND is recommended and must be placed as close to the device as possible for local noise de-coupling. This precaution reduces ringing on the input due to power-supply transients. Additional input capacitance may be needed on the input to reduce voltage overshoot from exceeding the absolute maximum voltage of the device during heavy transients.

Placing a high-value electrolytic capacitor on the output pin is recommended when the output load is heavy. Additionally, bypassing the output with a 0.01 μF to 0.1 μF ceramic capacitor improves the immunity of the device to short-circuit transients.

8.3 Power Dissipation and Junction Temperature

The low on-resistance of the N-channel MOSFETs allows the small surface-mount packages to pass large currents. It is good design practice to check power dissipation to ensure that the junction temperature of the device is within the recommended operating conditions. The below analysis gives an approximation for calculating junction temperature based on the power dissipation in the package. However, it is important to note that thermal analysis is strongly dependent on additional system level factors. Such factors include air flow, board layout, copper thickness and surface area, and proximity to other devices dissipating power. Good thermal design practice must include all system level factors in addition to individual component analysis.

The following procedure shows how to approximate the junction temperature rise due to power dissipation in a single channel. The TPS2062A/66A devices contain two channels, so the total device power must sum the power in each power switch.

Begin by determining the $r_{\text{DS(on)}}$ of the N-channel MOSFET relative to the input voltage and operating temperature. Use the highest operating ambient temperature of interest and read $r_{\text{DS(on)}}$ from the typical characteristics graph as an initial estimate. Power dissipation is calculated by:

$$P_D = r_{\text{DS(on)}} \times I_{\text{OUT}}^2$$

$$P_T = 2 \times P_D$$

Where:

P_D = Power dissipation/channel (W)

P_T = Total power dissipation for both channels (W)

$r_{DS(on)}$ = Power switch on-resistance (Ω)

I_{OUT} = Maximum current-limit threshold (A)

Finally, calculate the junction temperature:

$$T_J = P_T \times R_{\theta JA} + T_A$$

Where:

T_A = Ambient temperature $^{\circ}\text{C}$

$R_{\theta JA}$ = Thermal resistance ($^{\circ}\text{C}/\text{W}$)

P_T = Total power dissipation (W)

Compare the calculated junction temperature with the initial estimate. If they are not within a few degrees, repeat the calculation using the "refined" $r_{DS(on)}$ from the previous calculation as the new estimate. Two or three iterations are generally sufficient to achieve the desired result. The final junction temperature is highly dependent on thermal resistance $R_{\theta JA}$, and thermal resistance is highly dependent on the individual package and board layout. The "Dissipation Rating Table" at the beginning of this document provides example thermal resistances for specific packages and board layouts.

8.4 Universal Serial Bus (USB) Applications

One application for this device is for current-limiting in universal serial bus (USB) applications. The original USB interface was a 12-Mb/s or 1.5-Mb/s, multiplexed serial bus designed for low-to-medium bandwidth PC peripherals (for example, keyboards, printers, scanners, and mice). As the demand for more bandwidth increased, the USB 2.0 standard was introduced increasing the maximum data rate to 480-Mb/s. The four-wire USB interface is conceived for dynamic attach-detach (hot plug-unplug) of peripherals. Two lines are provided for differential data, and two lines are provided for 5-V power distribution.

USB data is a 3.3-V level signal, but power is distributed at 5 V to allow for voltage drops in cases where power is distributed through more than one hub across long cables. Each function must provide its own regulated 3.3 V from the 5-V input or its own internal power supply. The USB specification classifies two different classes of devices depending on its maximum current draw. A device classified as low-power can draw up to 100 mA as defined by the standard. A device classified as high-power can draw up to 500 mA. It is important that the minimum current limit threshold of the current-limiting power switch exceed the maximum current limit draw of the intended application. The latest USB standard must always be referenced when considering the current-limit threshold.

The USB specification defines two types of devices as hubs and functions. A USB hub is a device that contains multiple ports for different USB devices to connect and can be self-powered (SPH) or bus-powered (BPH). A function is a USB device that is able to transmit or receive data or control information over the bus. A USB function can be embedded in a USB hub. A USB function can be one of three types included in the list below.

- Low-power, bus-powered function
- High-power, bus-powered function
- Self-powered function

SPHs and BPHs distribute data and power to downstream functions. The TPS206x6A has higher current capability than required for a single USB port allowing it to power multiple downstream ports.

8.5 Self-powered and Bus-Powered Hubs

A SPH has a local power supply that powers embedded functions and downstream ports. This power supply must provide between 4.75 V to 5.25 V to downstream facing devices under full-load and no-load conditions. SPHs are required to have current-limit protection and must report overcurrent conditions to the USB controller. Typical SPHs are desktop PCs, monitors, printers, and stand-alone hubs.

A BPH obtains all power from an upstream port and often contains an embedded function. The hubs must power up with less than 100 mA. The BPH usually has one embedded function, and power is always available to the

controller of the hub. If the embedded function and hub require more than 100 mA on power up, the power to the embedded function may need to be kept off until enumeration is completed. This is accomplished by removing power or by shutting off the clock to the embedded function. Power switching the embedded function is not necessary if the aggregate power draw for the function and controller is less than 100 mA. The total current drawn by the bus-powered device is the sum of the current to the controller, the embedded function, and the downstream ports, and it is limited to 500 mA from an upstream port.

8.6 Low-Power Bus-Powered And High-Power Bus-Powered Functions

Both low-power and high-power bus-powered functions obtain all power from upstream ports. Low-power functions always draw less than 100 mA; high-power functions must draw less than 100 mA at power up and can draw up to 500 mA after enumeration. If the load of the function is more than the parallel combination of 44 Ω and 10 μF at power up, the device must implement inrush current limiting.

8.7 USB Power-Distribution Requirements

USB can be implemented in several ways regardless of the type of USB device being developed. Several power-distribution features must be implemented.

- SPHs must:
 - Current-limit downstream ports
 - Report overcurrent conditions
- BPHs must:
 - Enable/disable power to downstream ports
 - Power up at <100 mA
 - Limit inrush current (<44 Ω and 10 μF)
- Functions must:
 - Limit inrush currents
 - Power up at <100 mA

The feature set of the TPS2062A/66A meets each of these requirements. The integrated current-limiting and overcurrent reporting is required by self-powered hubs. The logic-level enable and controlled rise times meet the need of both input and output ports on bus-powered hubs and the input ports for bus-powered functions.

9 Device and Documentation Support

TI offers an extensive line of development tools. Tools and software to evaluate the performance of the device, generate code, and develop solutions are listed below.

9.1 ドキュメントの更新通知を受け取る方法

ドキュメントの更新についての通知を受け取るには、www.tij.co.jp のデバイス製品フォルダを開いてください。[通知] をクリックして登録すると、変更されたすべての製品情報に関するダイジェストを毎週受け取ることができます。変更の詳細については、改訂されたドキュメントに含まれている改訂履歴をご覧ください。

9.2 サポート・リソース

テキサス・インスツルメンツ E2E™ サポート・フォーラムは、エンジニアが検証済みの回答と設計に関するヒントをエキスパートから迅速かつ直接得ることができる場所です。既存の回答を検索したり、独自の質問をしたりすることで、設計に必要な支援を迅速に得ることができます。

リンクされているコンテンツは、各寄稿者により「現状のまま」提供されるものです。これらはテキサス・インスツルメンツの仕様を構成するものではなく、必ずしもテキサス・インスツルメンツの見解を反映したものではありません。テキサス・インスツルメンツの[使用条件](#)を参照してください。

9.3 Trademarks

PowerPAD™ and テキサス・インスツルメンツ E2E™ are trademarks of Texas Instruments.

すべての商標は、それぞれの所有者に帰属します。

9.4 静電気放電に関する注意事項



この IC は、ESD によって破損する可能性があります。テキサス・インスツルメンツは、IC を取り扱う際には常に適切な注意を払うことを推奨します。正しい取り扱いおよび設置手順に従わない場合、デバイスを破損するおそれがあります。

ESD による破損は、わずかな性能低下からデバイスの完全な故障まで多岐にわたります。精密な IC の場合、パラメータがわずかに変化するだけで公表されている仕様から外れる可能性があるため、破損が発生しやすくなっています。

9.5 用語集

[テキサス・インスツルメンツ用語集](#) この用語集には、用語や略語の一覧および定義が記載されています。

10 Revision History

資料番号末尾の英字は改訂を表しています。その改訂履歴は英語版に準じています。

Changes from Revision F (November 2008) to Revision G (June 2024)	Page
ドキュメント全体にわたって表、図、相互参照の採番方法を更新.....	1
「消費電力定格」表を削除.....	1
Updated 表 4-1 footnote about PowerPad	3
Added セクション 5.3	4
Updated max UVLO for TPS2062A.....	4
Updated max Supply current, high-level output values for TPS2062A.....	4
Updated Overcurrent trip threshold to apply only to TPS2062ADRB, TPS2066ADRB, and TPS2066AD.....	4
Updated セクション 7.3	13
Added セクション 7.3.1	13
Added セクション 7.3.2	13

11 Mechanical, Packaging, and Orderable Information

The following pages include mechanical, packaging, and orderable information. This information is the most current data available for the designated devices. This data is subject to change without notice and revision of this document. For browser-based versions of this data sheet, refer to the left-hand navigation.

重要なお知らせと免責事項

テキサス・インスツルメンツは、技術データと信頼性データ (データシートを含みます)、設計リソース (リファレンス デザインを含みます)、アプリケーションや設計に関する各種アドバイス、Web ツール、安全性情報、その他のリソースを、欠陥が存在する可能性のある「現状のまま」提供しており、商品性および特定目的に対する適合性の黙示保証、第三者の知的財産権の非侵害保証を含むいかなる保証も、明示的または黙示的にかかわらず拒否します。

これらのリソースは、テキサス・インスツルメンツ製品を使用する設計の経験を積んだ開発者への提供を意図したものです。(1) お客様のアプリケーションに適した テキサス・インスツルメンツ製品の選定、(2) お客様のアプリケーションの設計、検証、試験、(3) お客様のアプリケーションに該当する各種規格や、その他のあらゆる安全性、セキュリティ、規制、または他の要件への確実な適合に関する責任を、お客様のみが単独で負うものとします。

上記の各種リソースは、予告なく変更される可能性があります。これらのリソースは、リソースで説明されている テキサス・インスツルメンツ製品を使用するアプリケーションの開発の目的でのみ、テキサス・インスツルメンツはその使用をお客様に許諾します。これらのリソースに関して、他の目的で複製することや掲載することは禁止されています。テキサス・インスツルメンツや第三者の知的財産権のライセンスが付与されている訳ではありません。お客様は、これらのリソースを自身で使用した結果発生するあらゆる申し立て、損害、費用、損失、責任について、テキサス・インスツルメンツおよびその代理人を完全に補償するものとし、テキサス・インスツルメンツは一切の責任を拒否します。

テキサス・インスツルメンツの製品は、[テキサス・インスツルメンツの販売条件](#)、または [ti.com](https://www.ti.com) やかかる テキサス・インスツルメンツ製品の関連資料などのいずれかを通じて提供する適用可能な条項の下で提供されています。テキサス・インスツルメンツがこれらのリソースを提供することは、適用されるテキサス・インスツルメンツの保証または他の保証の放棄の拡大や変更を意味するものではありません。

お客様がいかなる追加条項または代替条項を提案した場合でも、テキサス・インスツルメンツはそれらに異議を唱え、拒否します。

郵送先住所: Texas Instruments, Post Office Box 655303, Dallas, Texas 75265

Copyright © 2024, Texas Instruments Incorporated

PACKAGING INFORMATION

Orderable Device	Status (1)	Package Type	Package Drawing	Pins	Package Qty	Eco Plan (2)	Lead finish/ Ball material (6)	MSL Peak Temp (3)	Op Temp (°C)	Device Marking (4/5)	Samples
TPS2062AD	ACTIVE	SOIC	D	8	75	RoHS & Green	NIPDAU	Level-1-260C-UNLIM	-40 to 125	2062A	Samples
TPS2062ADR	ACTIVE	SOIC	D	8	2500	RoHS & Green	NIPDAU	Level-1-260C-UNLIM	-40 to 85	2062A	Samples
TPS2062ADRBR	ACTIVE	SON	DRB	8	3000	RoHS & Green	NIPDAU	Level-1-260C-UNLIM	-40 to 125	2062	Samples
TPS2062ADRBT	ACTIVE	SON	DRB	8	250	RoHS & Green	NIPDAU	Level-1-260C-UNLIM	-40 to 125	2062	Samples
TPS2066AD	OBSOLETE	SOIC	D	8		TBD	Call TI	Call TI	-40 to 125	2066A	
TPS2066ADR	OBSOLETE	SOIC	D	8		TBD	Call TI	Call TI	-40 to 125	2066A	
TPS2066ADRBR	OBSOLETE	SON	DRB	8		TBD	Call TI	Call TI	-40 to 125	2066	
TPS2066ADRBT	OBSOLETE	SON	DRB	8		TBD	Call TI	Call TI	-40 to 125	2066	

(1) The marketing status values are defined as follows:

ACTIVE: Product device recommended for new designs.

LIFEBUY: TI has announced that the device will be discontinued, and a lifetime-buy period is in effect.

NRND: Not recommended for new designs. Device is in production to support existing customers, but TI does not recommend using this part in a new design.

PREVIEW: Device has been announced but is not in production. Samples may or may not be available.

OBSOLETE: TI has discontinued the production of the device.

(2) **RoHS:** TI defines "RoHS" to mean semiconductor products that are compliant with the current EU RoHS requirements for all 10 RoHS substances, including the requirement that RoHS substance do not exceed 0.1% by weight in homogeneous materials. Where designed to be soldered at high temperatures, "RoHS" products are suitable for use in specified lead-free processes. TI may reference these types of products as "Pb-Free".

RoHS Exempt: TI defines "RoHS Exempt" to mean products that contain lead but are compliant with EU RoHS pursuant to a specific EU RoHS exemption.

Green: TI defines "Green" to mean the content of Chlorine (Cl) and Bromine (Br) based flame retardants meet JS709B low halogen requirements of <=1000ppm threshold. Antimony trioxide based flame retardants must also meet the <=1000ppm threshold requirement.

(3) MSL, Peak Temp. - The Moisture Sensitivity Level rating according to the JEDEC industry standard classifications, and peak solder temperature.

(4) There may be additional marking, which relates to the logo, the lot trace code information, or the environmental category on the device.

(5) Multiple Device Markings will be inside parentheses. Only one Device Marking contained in parentheses and separated by a "-" will appear on a device. If a line is indented then it is a continuation of the previous line and the two combined represent the entire Device Marking for that device.

⁽⁶⁾ Lead finish/Ball material - Orderable Devices may have multiple material finish options. Finish options are separated by a vertical ruled line. Lead finish/Ball material values may wrap to two lines if the finish value exceeds the maximum column width.

Important Information and Disclaimer:The information provided on this page represents TI's knowledge and belief as of the date that it is provided. TI bases its knowledge and belief on information provided by third parties, and makes no representation or warranty as to the accuracy of such information. Efforts are underway to better integrate information from third parties. TI has taken and continues to take reasonable steps to provide representative and accurate information but may not have conducted destructive testing or chemical analysis on incoming materials and chemicals. TI and TI suppliers consider certain information to be proprietary, and thus CAS numbers and other limited information may not be available for release.

In no event shall TI's liability arising out of such information exceed the total purchase price of the TI part(s) at issue in this document sold by TI to Customer on an annual basis.

TAPE AND REEL INFORMATION



QUADRANT ASSIGNMENTS FOR PIN 1 ORIENTATION IN TAPE



*All dimensions are nominal

Device	Package Type	Package Drawing	Pins	SPQ	Reel Diameter (mm)	Reel Width W1 (mm)	A0 (mm)	B0 (mm)	K0 (mm)	P1 (mm)	W (mm)	Pin1 Quadrant
TPS2062ADR	SOIC	D	8	2500	330.0	12.4	6.4	5.2	2.1	8.0	12.0	Q1
TPS2062ADRBR	SON	DRB	8	3000	330.0	12.4	3.3	3.3	1.0	8.0	12.0	Q2
TPS2062ADRBT	SON	DRB	8	250	180.0	12.4	3.3	3.3	1.0	8.0	12.0	Q2

TAPE AND REEL BOX DIMENSIONS


*All dimensions are nominal

Device	Package Type	Package Drawing	Pins	SPQ	Length (mm)	Width (mm)	Height (mm)
TPS2062ADR	SOIC	D	8	2500	353.0	353.0	32.0
TPS2062ADRBR	SON	DRB	8	3000	346.0	346.0	35.0
TPS2062ADRBT	SON	DRB	8	250	200.0	183.0	25.0

TUBE


*All dimensions are nominal

Device	Package Name	Package Type	Pins	SPQ	L (mm)	W (mm)	T (μm)	B (mm)
TPS2062AD	D	SOIC	8	75	507	8	3940	4.32

DRB 8

GENERIC PACKAGE VIEW

VSON - 1 mm max height

PLASTIC SMALL OUTLINE - NO LEAD



Images above are just a representation of the package family, actual package may vary.
Refer to the product data sheet for package details.

4203482/L

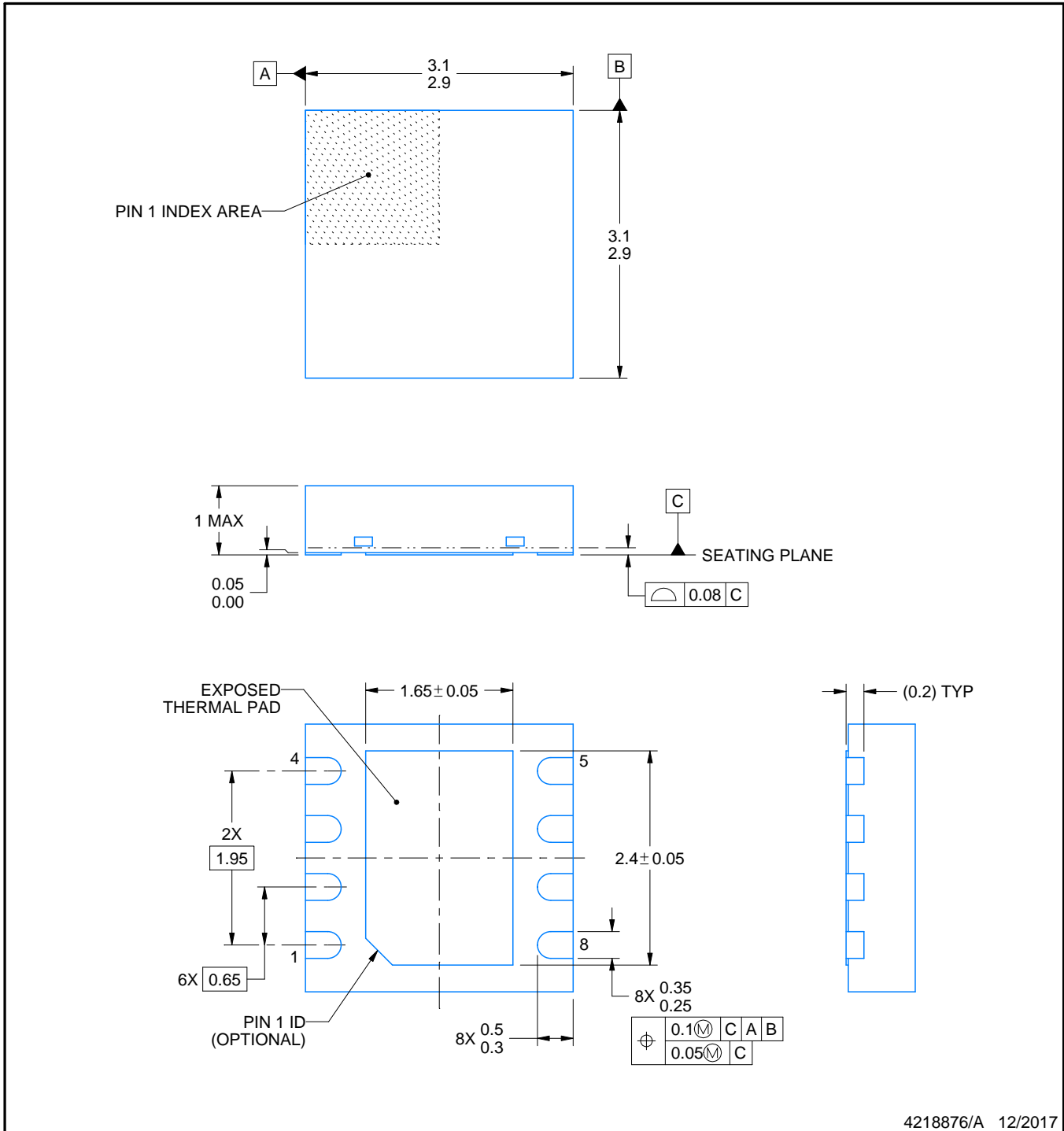
DRB0008B



PACKAGE OUTLINE

VSON - 1 mm max height

PLASTIC SMALL OUTLINE - NO LEAD



4218876/A 12/2017

NOTES:

1. All linear dimensions are in millimeters. Any dimensions in parenthesis are for reference only. Dimensioning and tolerancing per ASME Y14.5M.
2. This drawing is subject to change without notice.
3. The package thermal pad must be soldered to the printed circuit board for thermal and mechanical performance.

EXAMPLE BOARD LAYOUT

DRB0008B

VSON - 1 mm max height

PLASTIC SMALL OUTLINE - NO LEAD



LAND PATTERN EXAMPLE
SCALE:20X



SOLDER MASK DETAILS

4218876/A 12/2017

NOTES: (continued)

4. This package is designed to be soldered to a thermal pad on the board. For more information, see Texas Instruments literature number SLUA271 (www.ti.com/lit/sluea271).
5. Vias are optional depending on application, refer to device data sheet. If any vias are implemented, refer to their locations shown on this view. It is recommended that vias under paste be filled, plugged or tented.



D0008A

PACKAGE OUTLINE

SOIC - 1.75 mm max height

SMALL OUTLINE INTEGRATED CIRCUIT



4214825/C 02/2019

NOTES:

1. Linear dimensions are in inches [millimeters]. Dimensions in parenthesis are for reference only. Controlling dimensions are in inches. Dimensioning and tolerancing per ASME Y14.5M.
2. This drawing is subject to change without notice.
3. This dimension does not include mold flash, protrusions, or gate burrs. Mold flash, protrusions, or gate burrs shall not exceed .006 [0.15] per side.
4. This dimension does not include interlead flash.
5. Reference JEDEC registration MS-012, variation AA.

EXAMPLE BOARD LAYOUT

D0008A

SOIC - 1.75 mm max height

SMALL OUTLINE INTEGRATED CIRCUIT



LAND PATTERN EXAMPLE
 EXPOSED METAL SHOWN
 SCALE:8X



SOLDER MASK DETAILS

4214825/C 02/2019

NOTES: (continued)

- 6. Publication IPC-7351 may have alternate designs.
- 7. Solder mask tolerances between and around signal pads can vary based on board fabrication site.

EXAMPLE STENCIL DESIGN

D0008A

SOIC - 1.75 mm max height

SMALL OUTLINE INTEGRATED CIRCUIT



SOLDER PASTE EXAMPLE
BASED ON .005 INCH [0.125 MM] THICK STENCIL
SCALE:8X

4214825/C 02/2019

NOTES: (continued)

8. Laser cutting apertures with trapezoidal walls and rounded corners may offer better paste release. IPC-7525 may have alternate design recommendations.
9. Board assembly site may have different recommendations for stencil design.

重要なお知らせと免責事項

TI は、技術データと信頼性データ (データシートを含みます)、設計リソース (リファレンス・デザインを含みます)、アプリケーションや設計に関する各種アドバイス、Web ツール、安全性情報、その他のリソースを、欠陥が存在する可能性のある「現状のまま」提供しており、商品性および特定目的に対する適合性の黙示保証、第三者の知的財産権の非侵害保証を含むいかなる保証も、明示的または黙示的にかかわらず拒否します。

これらのリソースは、TI 製品を使用する設計の経験を積んだ開発者への提供を意図したものです。(1) お客様のアプリケーションに適した TI 製品の選定、(2) お客様のアプリケーションの設計、検証、試験、(3) お客様のアプリケーションに該当する各種規格や、その他のあらゆる安全性、セキュリティ、規制、または他の要件への確実な適合に関する責任を、お客様のみが単独で負うものとします。

上記の各種リソースは、予告なく変更される可能性があります。これらのリソースは、リソースで説明されている TI 製品を使用するアプリケーションの開発の目的でのみ、TI はその使用をお客様に許諾します。これらのリソースに関して、他の目的で複製することや掲載することは禁止されています。TI や第三者の知的財産権のライセンスが付与されている訳ではありません。お客様は、これらのリソースを自身で使用した結果発生するあらゆる申し立て、損害、費用、損失、責任について、TI およびその代理人を完全に補償するものとし、TI は一切の責任を拒否します。

TI の製品は、[TI の販売条件](#)、または [ti.com](#) やかかる TI 製品の関連資料などのいずれかを通じて提供する適用可能な条項の下で提供されています。TI がこれらのリソースを提供することは、適用される TI の保証または他の保証の放棄の拡大や変更を意味するものではありません。

お客様がいかなる追加条項または代替条項を提案した場合でも、TI はそれらに異議を唱え、拒否します。

郵送先住所 : Texas Instruments, Post Office Box 655303, Dallas, Texas 75265
Copyright © 2024, Texas Instruments Incorporated