

ADC3421-Q1 車載クワッド・チャンネル、12 ビット、25MSPS の A/D コンバータ

1 特長

- 車載アプリケーション向けに AEC-Q100 認証済み
 - 温度グレード 1: -40°C ~ 125°C, T_A
- クワッド・チャンネル
- 12 ビット分解能
- 単一電源: 1.8V
- シリアル LVDS インターフェイス
- 1、2、4 分周が可能な柔軟性の高い入力クロック・バッファ
- f_{IN} = 10 MHz で SNR = 71.1dBFS、SFDR = 90dBc
- 超低消費電力
 - 25MSPS で 44mW/Ch
- チャンネル分離: 105dB
- ディザおよびチョッパを内蔵
- マルチチップの同期をサポート

2 アプリケーション

- 半導体 LiDAR
- モータ制御の帰還
- 非破壊試験
- レーダーおよびスマート・アンテナ・アレイ
- 兵器の誘導

3 概要

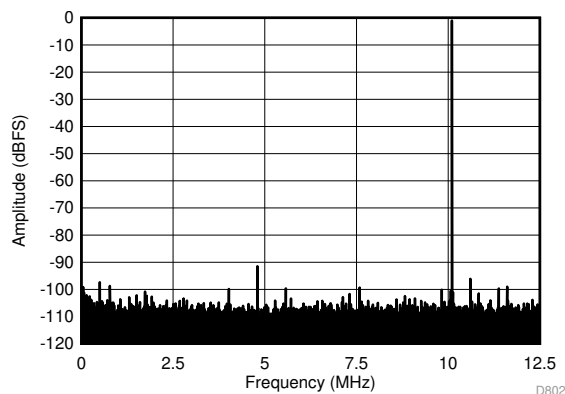
ADC3421-Q1 は車載グレードで線形性の高い、超低消費電力のクワッド・チャンネル、12 ビット、25MSPS アナログ / デジタル・コンバータ (ADC) です。このデバイスは、広いダイナミック・レンジを必要とする、条件の厳しい高周波の入力信号をサポートするために特に設計されています。入力クロック分周器を備えているためシステム・クロック・アーキテクチャを柔軟に設計でき、SYSREF 入力を使用することでシステムを完全に同期させることができます。ADC3421-Q1 は、インターフェイスの配線数を減らすためにシリアル LVDS (Low Voltage Differential Signaling) をサポートしているため、システムの集積度を高めることができます。シリアル LVDS インターフェイスは 2 線式 (各 ADC データをシリアル化し 2 対の LVDS に出力) です。内蔵のフェーズ・ロック・ループ (PLL) は、入力された ADC サンプリング・クロックを逡倍して、各チャンネルの 12 ビットのデータをシリアル化するため使用されるビット・クロックを生成します。シリアル・データ・ストリームに加え、フレームとビット・クロックも LVDS 出力として送信されます。

製品情報⁽¹⁾

型番	パッケージ	本体サイズ (公称)
ADC3421-Q1	VQFN (56)	8.00mm x 8.00mm

(1) 利用可能なすべてのパッケージについては、このデータシートの末尾にある注文情報を参照してください。

10MHz IF でのスペクトル
SFDR = 90dBc、SNR = 71.2dBFS、
SINAD = 71.1dBFS、THD = 89dBc



目次

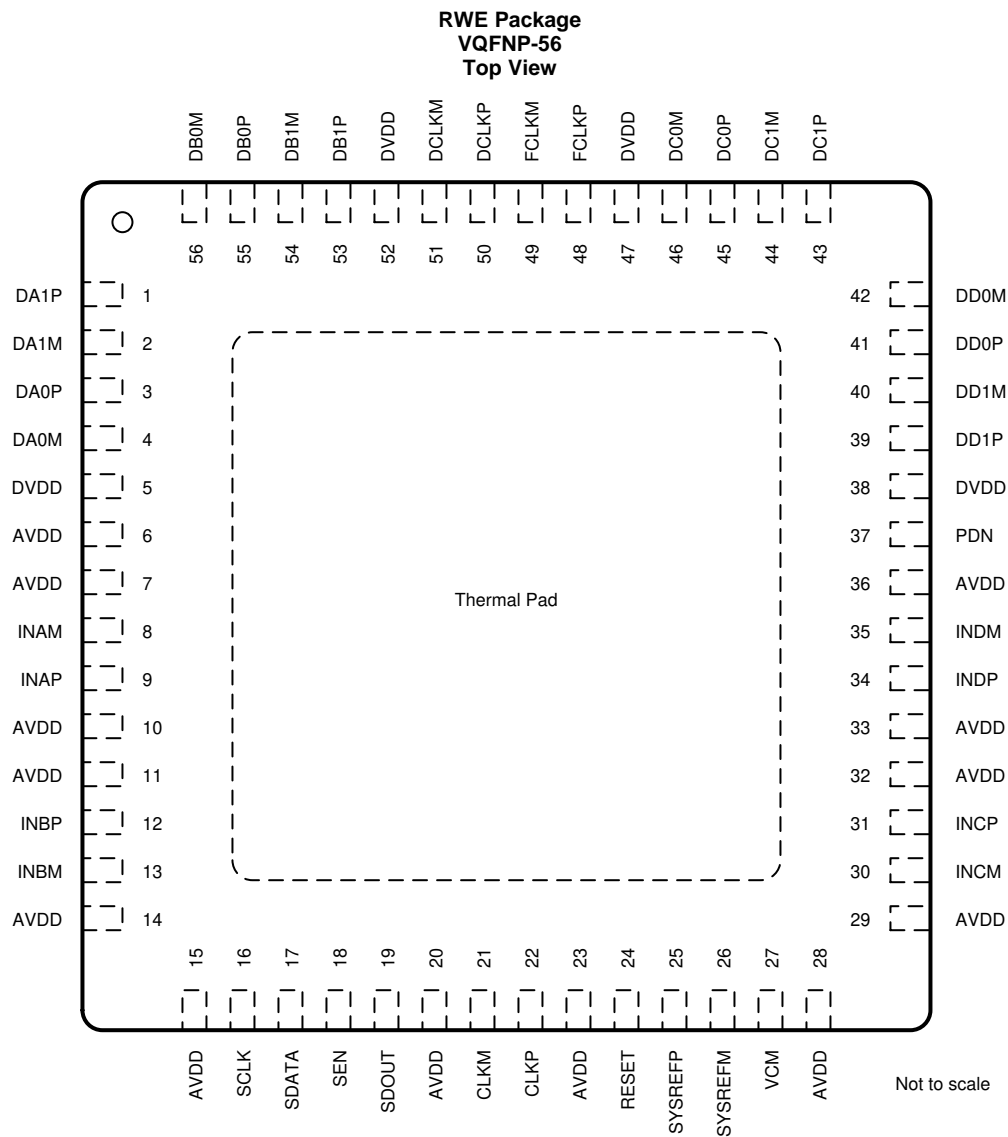
1	特長	1	8.2	Functional Block Diagram	18
2	アプリケーション	1	8.3	Feature Description	19
3	概要	1	8.4	Device Functional Modes	23
4	改訂履歴	2	8.5	Programming	26
5	Pin Configuration and Functions	3	8.6	Register Maps	31
6	Specifications	5	9	Applications and Implementation	53
6.1	Absolute Maximum Ratings	5	9.1	Application Information	53
6.2	ESD Ratings	5	9.2	Typical Applications	54
6.3	Recommended Operating Conditions	5	10	Power Supply Recommendations	56
6.4	Thermal Information	6	11	Layout	57
6.5	Electrical Characteristics: General	6	11.1	Layout Guidelines	57
6.6	Electrical Characteristics: AC Performance	7	11.2	Layout Example	57
6.7	Digital Characteristics	9	12	デバイスおよびドキュメントのサポート	58
6.8	Timing Requirements: General	9	12.1	ドキュメントの更新通知を受け取る方法	58
6.9	Timing Requirements: LVDS Output	10	12.2	サポート・リソース	58
6.10	Typical Characteristics	11	12.3	商標	58
7	Parameter Measurement Information	16	12.4	静電気放電に関する注意事項	58
7.1	Timing Diagrams	16	12.5	Glossary	58
8	Detailed Description	18	13	メカニカル、パッケージ、および注文情報	58
8.1	Overview	18			

4 改訂履歴

資料番号末尾の英字は改訂を表しています。その改訂履歴は英語版に準じています。

日付	リビジョン	注
2019年12月	*	初版

5 Pin Configuration and Functions



Pin Functions

PIN		I/O	DESCRIPTION
NAME	NO.		
AVDD	6, 7, 10, 11, 14, 15, 20, 23, 28, 29, 32, 33, 36	I	Analog 1.8-V power supply
CLKM	21	I	Negative differential clock input for the ADC
CLKP	22	I	Positive differential clock input for the ADC
DA0M	4	O	Negative serial LVDS output for wire-0 of channel A
DA0P	3	O	Positive serial LVDS output for wire-0 of channel A
DA1M	2	O	Negative serial LVDS output for wire-1 of channel A
DA1P	1	O	Positive serial LVDS output for wire-1 of channel A
DB0M	56	O	Negative serial LVDS output for wire-0 of channel B
DB0P	55	O	Positive serial LVDS output for wire-0 of channel B
DB1M	54	O	Negative serial LVDS output for wire-1 of channel B
DB1P	53	O	Positive serial LVDS output for wire-1 of channel B
DC0M	46	O	Negative serial LVDS output for wire-0 of channel C
DC0P	45	O	Positive serial LVDS output for wire-0 of channel C
DC1M	44	O	Negative serial LVDS output for wire-1 of channel C
DC1P	43	O	Positive serial LVDS output for wire-1 of channel C
DD0M	42	O	Negative serial LVDS output for wire-0 of channel D
DD0P	41	O	Positive serial LVDS output for wire-0 of channel D
DD1M	40	O	Negative serial LVDS output for wire-1 of channel D
DD1P	39	O	Positive serial LVDS output for wire-1 of channel D
DCLKM	51	O	Negative bit clock output
DCLKP	50	O	Positive bit clock output
DVDD	5, 38, 47, 52	I	Digital 1.8-V power supply
FCLKM	49	O	Negative frame clock output
FCLKP	48	O	Positive frame clock output
INAM	8	I	Negative differential analog input for channel A
INAP	9	I	Positive differential analog input for channel A
INBM	13	I	Negative differential analog input for channel B
INBP	12	I	Positive differential analog input for channel B
INCM	30	I	Negative differential analog input for channel C
INCP	31	I	Positive differential analog input for channel C
INDM	35	I	Negative differential analog input for channel D
INDP	34	I	Positive differential analog input for channel D
PDN	37	I	Power-down control. This pin can be configured using the SPI. This pin has an internal 150-k Ω pulldown resistor.
RESET	24	I	Hardware reset; active high. This pin has an internal 150-k Ω pulldown resistor.
SCLK	16	I	Serial interface clock input. This pin has an internal 150-k Ω pulldown resistor.
SDATA	17	I	Serial interface data input. This pin has an internal 150-k Ω pulldown resistor.
SDOUT	19	O	Serial interface data output
SEN	18	I	Serial interface enable; active low. This pin has an internal 150-k Ω pullup resistor to AVDD.
SYSREFM	26	I	Negative external SYSREF input
SYSREFP	25	I	Positive external SYSREF input
VCM	27	O	Common-mode voltage for analog inputs
Thermal Pad	—	—	Connect thermal pad to ground.

6 Specifications

6.1 Absolute Maximum Ratings

over operating free-air temperature range (unless otherwise noted)⁽¹⁾

		MIN	MAX	UNIT
Analog supply voltage range, AVDD		-0.3	2.1	V
Digital supply voltage range, DVDD		-0.3	2.1	V
Voltage applied to input pins	INAP, INBP, INCP, INDP, INAM, INBM, INCM, INDM	-0.3	min (1.9, AVDD + 0.3)	V
	CLKP, CLKM	-0.3	AVDD + 0.3	
	SYSREFP, SYSREFM	-0.3	AVDD + 0.3	
	SCLK, SEN, SDATA, RESET, PDN	-0.3	3.9	
Temperature	Operating junction, T _J		150	°C
	Storage, T _{stg}	-65	150	

(1) Stresses beyond those listed under *Absolute Maximum Ratings* may cause permanent damage to the device. These are stress ratings only, which do not imply functional operation of the device at these or any other conditions beyond those indicated under *Recommended Operating Conditions*. Exposure to absolute-maximum-rated conditions for extended periods may affect device reliability.

6.2 ESD Ratings

			VALUE	UNIT
V _(ESD)	Electrostatic discharge	Human-body model (HBM), per AEC Q100-002 ⁽¹⁾ HBM ESD Classification Level 2	±2000	V
		Charged-device model (CDM), per AEC Q100-011 CDM ESD Classification Level C5	±750	

(1) AEC Q100-002 indicates that HBM stressing shall be in accordance with the ANSI/ESDA/JEDEC JS-001 specification.

6.3 Recommended Operating Conditions⁽¹⁾

over operating free-air temperature range (unless otherwise noted)

		MIN	NOM	MAX	UNIT
Supplies					
AVDD	Analog supply voltage range	1.7	1.8	1.9	V
DVDD	Digital supply voltage range	1.7	1.8	1.9	V
Analog Input					
V _{ID}	Differential input voltage	For input frequencies < 450 MHz	2		V _{PP}
		For input frequencies < 600 MHz	1		
V _{IC}	Input common-mode voltage	VCM ± 0.025			V
Clock Input					
	Input clock frequency	Sampling clock frequency	15 ⁽²⁾	25	MSPS
	Input clock amplitude (differential)	Sine wave, ac-coupled	0.2	1.5	V _{PP}
		LPECL, ac-coupled	1.6		
		LVDS, ac-coupled	0.7		
	Input clock duty cycle		35%	50%	65%
	Input clock common-mode voltage		0.95		V
Digital Outputs					
C _{LOAD}	Maximum external load capacitance from each output pin to GND		3.3		pF
R _{LOAD}	Single-ended load resistance		100		Ω
Temperature					
T _J	Operating Junction Temperature	-40	125		°C

(1) After power-up, use only the RESET pin to reset the device for the first time; see the [Register Initialization](#) section for details.

(2) See [Table 1](#) for details.

6.4 Thermal Information

THERMAL METRIC ⁽¹⁾		ADC3421-Q1	UNIT
		RWE (VQFNP)	
		56 PINS	
R _{θJA}	Junction-to-ambient thermal resistance	20.3	°C/W
R _{θJC(top)}	Junction-to-case (top) thermal resistance	8.8	°C/W
R _{θJB}	Junction-to-board thermal resistance	5.6	°C/W
ψ _{JT}	Junction-to-top characterization parameter	0.1	°C/W
ψ _{JB}	Junction-to-board characterization parameter	5.6	°C/W
R _{θJC(bot)}	Junction-to-case (bottom) thermal resistance	0.7	°C/W

(1) For more information about traditional and new thermal metrics, see the [IC Package Thermal Metrics application report](#).

6.5 Electrical Characteristics: General

Typical values are over the operating free-air temperature range, at T_A = 25°C, full temperature range is T_{MIN} = -40°C to T_{MAX} = 125°C, maximum sampling rate, 50% clock duty cycle, AVDD = DVDD = 1.8 V, and -1-dBFS differential input, unless otherwise noted.

PARAMETER	TEST CONDITIONS	MIN	TYP	MAX	UNIT
ADC clock frequency				25	MSPS
Resolution		12			Bits
1.8-V analog supply current			54	71	mA
1.8-V digital supply current			45	71	mA
Total power dissipation			177	240	mW
Global power-down dissipation			5	17	mW
Standby power-down dissipation			34	75	mW
Analog Input					
Differential input full-scale			2.0		V _{PP}
r _i	Input resistance	Differential at dc	6.6		kΩ
c _i	Input capacitance	Differential at dc	3.7		pF
V _{OC(VCM)}	VCM common-mode voltage output		0.95		V
	VCM output current capability		10		mA
	Input common-mode current	Per analog input pin	1.5		μA/MSPS
	Analog input bandwidth (3 dB)	50-Ω differential source driving 50-Ω termination across INP and INM	540		MHz
DC accuracy					
E _O	Offset error		-25	25	mV
α _{EO}	Temperature coefficient of offset error		± 0.024		mV/°C
E _{G(REF)}	Gain error as a result of internal reference inaccuracy alone		-2	2	%FS
E _{G(CHAN)}	Gain error of channel alone		-2		%FS
α _(EGCHAN)	Temperature coefficient of E _{G(CHAN)}		±0.008		Δ%FS/Ch
Channel-to-channel Isolation					
Crosstalk ⁽¹⁾	f _{IN} = 10 MHz	Near channel		105	dB
		Far channel		105	
	f _{IN} = 100 MHz	Near channel		95	
		Far channel		105	
	f _{IN} = 200 MHz	Near channel		94	
		Far channel		105	
	f _{IN} = 230 MHz	Near channel		92	
		Far channel		105	
	f _{IN} = 300 MHz	Near channel		85	
		Far channel		105	

(1) Crosstalk is measured with a -1-dBFS input signal on the aggressor channel and no input on the victim channel.

6.6 Electrical Characteristics: AC Performance

Typical values are over the operating free-air temperature range, at $T_A = 25^\circ\text{C}$, full temperature range is $T_{\text{MIN}} = -40^\circ\text{C}$ to $T_{\text{MAX}} = 125^\circ\text{C}$, ADC sampling rate = 25 MSPS, 50% clock duty cycle, AVDD = DVDD = 1.8 V, and -1-dBFS differential input, unless otherwise noted.

PARAMETER		TEST CONDITIONS	DITHER ON			DITHER OFF			UNIT
			MIN	TYP	MAX	MIN	TYP	MAX	
SNR	Signal-to-noise ratio (from 1-MHz offset)	$f_{\text{IN}} = 10\text{ MHz}$		70.9			71.1		dBFS
		$f_{\text{IN}} = 20\text{ MHz}$	68.9	70.7			70.9		
		$f_{\text{IN}} = 70\text{ MHz}$		70.4			70.6		
		$f_{\text{IN}} = 100\text{ MHz}$		70.3			70.5		
		$f_{\text{IN}} = 170\text{ MHz}$		69.7			69.9		
		$f_{\text{IN}} = 230\text{ MHz}$		68.9			69.1		
	Signal-to-noise ratio (full Nyquist band)	$f_{\text{IN}} = 10\text{ MHz}$		70.2			70.5		dBFS
		$f_{\text{IN}} = 20\text{ MHz}$		70.1			70.3		
		$f_{\text{IN}} = 70\text{ MHz}$		69.8			70.0		
		$f_{\text{IN}} = 100\text{ MHz}$		69.6			69.8		
		$f_{\text{IN}} = 170\text{ MHz}$		69.2			69.3		
		$f_{\text{IN}} = 230\text{ MHz}$		68.3			68.5		
NSD ⁽¹⁾	Noise spectral density (averaged across Nyquist zone)	$f_{\text{IN}} = 10\text{ MHz}$		-141.5			-141.7		dBFS/Hz
		$f_{\text{IN}} = 20\text{ MHz}$		-141.3	-139.5		-141.5		
		$f_{\text{IN}} = 70\text{ MHz}$		-141.0			-141.2		
		$f_{\text{IN}} = 100\text{ MHz}$		-140.9			-141.1		
		$f_{\text{IN}} = 170\text{ MHz}$		-140.3			-140.5		
		$f_{\text{IN}} = 230\text{ MHz}$		-139.5			-139.7		
SINAD ⁽¹⁾	Signal-to-noise and distortion ratio	$f_{\text{IN}} = 10\text{ MHz}$		71			71.1		dBFS
		$f_{\text{IN}} = 20\text{ MHz}$	67.9	70.8			70.9		
		$f_{\text{IN}} = 70\text{ MHz}$		69.5			70		
		$f_{\text{IN}} = 100\text{ MHz}$		70.5			70.7		
		$f_{\text{IN}} = 170\text{ MHz}$		69.6			69.8		
		$f_{\text{IN}} = 230\text{ MHz}$		68.7			68.7		
ENOB ⁽¹⁾	Effective number of bits	$f_{\text{IN}} = 10\text{ MHz}$		11.5			11.5		Bits
		$f_{\text{IN}} = 20\text{ MHz}$	11	11.4			11.4		
		$f_{\text{IN}} = 70\text{ MHz}$		11.4			11.4		
		$f_{\text{IN}} = 100\text{ MHz}$		11.4			11.4		
		$f_{\text{IN}} = 170\text{ MHz}$		11.3			11.3		
		$f_{\text{IN}} = 230\text{ MHz}$		11.1			11.1		
SFDR	Spurious-free dynamic range	$f_{\text{IN}} = 10\text{ MHz}$		93			90		dBc
		$f_{\text{IN}} = 20\text{ MHz}$	84	91			85		
		$f_{\text{IN}} = 70\text{ MHz}$		93			88		
		$f_{\text{IN}} = 100\text{ MHz}$		85			82		
		$f_{\text{IN}} = 170\text{ MHz}$		86			85		
		$f_{\text{IN}} = 230\text{ MHz}$		82			82		

(1) Reported from a 1-MHz offset.

Electrical Characteristics: AC Performance (continued)

Typical values are over the operating free-air temperature range, at $T_A = 25^\circ\text{C}$, full temperature range is $T_{\text{MIN}} = -40^\circ\text{C}$ to $T_{\text{MAX}} = 125^\circ\text{C}$, ADC sampling rate = 25 MSPS, 50% clock duty cycle, $\text{AVDD} = \text{DVDD} = 1.8\text{ V}$, and -1-dBFS differential input, unless otherwise noted.

PARAMETER		TEST CONDITIONS	DITHER ON			DITHER OFF			UNIT
			MIN	TYP	MAX	MIN	TYP	MAX	
HD2	Second-order harmonic distortion	$f_{\text{IN}} = 10\text{ MHz}$		93			92	dBc	
		$f_{\text{IN}} = 20\text{ MHz}$	83	100			94		
		$f_{\text{IN}} = 70\text{ MHz}$		93			92		
		$f_{\text{IN}} = 100\text{ MHz}$		94			93		
		$f_{\text{IN}} = 170\text{ MHz}$		86			85		
		$f_{\text{IN}} = 230\text{ MHz}$		86			82		
HD3	Third-order harmonic distortion	$f_{\text{IN}} = 10\text{ MHz}$		96			90	dBc	
		$f_{\text{IN}} = 20\text{ MHz}$	82	91			85		
		$f_{\text{IN}} = 70\text{ MHz}$		93			88		
		$f_{\text{IN}} = 100\text{ MHz}$		85			82		
		$f_{\text{IN}} = 170\text{ MHz}$		89			89		
		$f_{\text{IN}} = 230\text{ MHz}$		82			82		
Non HD2, HD3	Spurious-free dynamic range (excluding HD2, HD3)	$f_{\text{IN}} = 10\text{ MHz}$		99			92	dBc	
		$f_{\text{IN}} = 20\text{ MHz}$	86	98			91		
		$f_{\text{IN}} = 70\text{ MHz}$		96			92		
		$f_{\text{IN}} = 100\text{ MHz}$		95			93		
		$f_{\text{IN}} = 170\text{ MHz}$		92			90		
		$f_{\text{IN}} = 230\text{ MHz}$		97			91		
THD	Total harmonic distortion	$f_{\text{IN}} = 10\text{ MHz}$		90			86	dBc	
		$f_{\text{IN}} = 20\text{ MHz}$	78	90			83		
		$f_{\text{IN}} = 70\text{ MHz}$		89			85		
		$f_{\text{IN}} = 100\text{ MHz}$		84			80		
		$f_{\text{IN}} = 170\text{ MHz}$		84			83		
		$f_{\text{IN}} = 230\text{ MHz}$		80			79		
IMD3	Two-tone, third-order intermodulation distortion	$f_{\text{IN1}} = 45\text{ MHz}$, $f_{\text{IN2}} = 50\text{ MHz}$		-98			-98	dBFS	
		$f_{\text{IN1}} = 185\text{ MHz}$, $f_{\text{IN2}} = 190\text{ MHz}$		-91			-91		

6.7 Digital Characteristics

The dc specifications refer to the condition where the digital outputs are not switching, but are permanently at a valid logic level 0 or 1. AVDD = DVDD = 1.8 V, and –1-dBFS differential input, unless otherwise noted.

PARAMETER		TEST CONDITIONS	MIN	TYP	MAX	UNIT
Digital Inputs (RESET, SCLK, SDATA, SEN, PDN)						
V _{IH}	High-level input voltage	All digital inputs support 1.8-V and 3.3-V CMOS logic levels	1.3			V
V _{IL}	Low-level input voltage	All digital inputs support 1.8-V and 3.3-V CMOS logic levels			0.4	V
I _{IH}	High-level input current	RESET, SDATA, SCLK, PDN	V _{HIGH} = 1.8 V	10		μA
		SEN ⁽¹⁾	V _{HIGH} = 1.8 V	0		μA
I _{IL}	Low-level input current	RESET, SDATA, SCLK, PDN	V _{LOW} = 0 V	0		μA
		SEN	V _{LOW} = 0 V	10		μA
Digital Inputs (SYSREFP, SYSREFM)						
V _{IH}	High-level input voltage			1.3		V
V _{IL}	Low-level input voltage			0.5		V
	Common-mode voltage for SYSREF			0.9		V
Digital Outputs (CMOS Interface, SDOUT)						
V _{OH}	High-level output voltage		DVDD – 0.1	DVDD		V
V _{OL}	Low-level output voltage			0	0.1	V
Digital Outputs (LVDS Interface)						
V _{ODH}	High-level output differential voltage	With an external 100-Ω termination	280	350	460	mV
V _{ODL}	Low-level output differential voltage	With an external 100-Ω termination	–460	–350	–280	mV
V _{OCM}	Output common-mode voltage			1.05		V

(1) SEN has an internal 150-kΩ pullup resistor to AVDD. SPI pins (SEN, SCLK, SDATA) can be driven by 1.8 V or 3.3 V CMOS buffers.

6.8 Timing Requirements: General

Typical values are at T_A = 25°C, AVDD = DVDD = 1.8 V, and –1-dBFS differential input, unless otherwise noted. Minimum and maximum values are across the full temperature range: T_{MIN} = –40°C to T_{MAX} = 125°C.

		MIN	TYP	MAX	UNIT
t _A	Aperture delay	1.24	1.44	1.64	ns
	Aperture delay matching between two channels of the same device		±70		ps
	Aperture delay variation between two devices at same temperature and supply voltage		±150		ps
t _J	Aperture jitter		130		f _S rms
	Wake-up time:	Time to valid data after exiting standby power-down mode		35	200
Time to valid data after exiting global power-down mode (in this mode, both channels power down)			85	450	μs
ADC latency ⁽¹⁾ :	2-wire mode (default)		9		Clock cycles
	1-wire mode		8		Clock cycles
t _{SU_SYSREF}	SYSREF reference time:	Setup time for SYSREF referenced to input clock rising edge	1000		ps
t _{H_SYSREF}		Hold time for SYSREF referenced to input clock rising edge	100		ps

(1) Overall latency = ADC latency + t_{PDJ}.

6.9 Timing Requirements: LVDS Output⁽¹⁾⁽²⁾

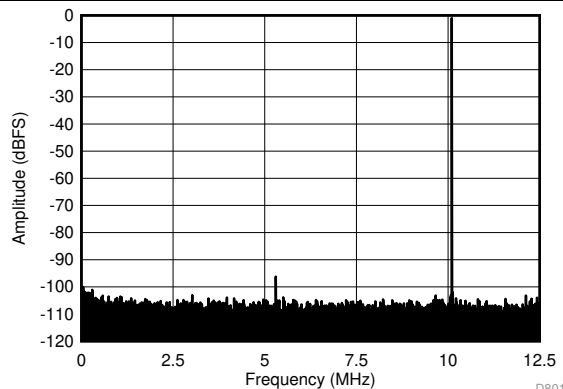
Typical values are at $T_A = 25^\circ\text{C}$, $AVDD = DVDD = 1.8\text{ V}$, and -1-dBFS differential input, 6x Serialization (2-Wire Mode), $C_{LOAD} = 3.3\text{ pF}$ ⁽³⁾, and $R_{LOAD} = 100\ \Omega$ ⁽⁴⁾, unless otherwise noted.. Minimum and maximum values are across the full temperature range: $T_{MIN} = -40^\circ\text{C}$ to $T_{MAX} = 125^\circ\text{C}$.

			MIN	TYP	MAX	UNIT
t_{SU}	Data setup time: data valid to zero-crossing of differential output clock (CLKOUTP – CLKOUTM) ⁽⁵⁾⁽⁶⁾	1-wire mode	1.3	1.48		ns
		2-wire mode	2.61	3.06		
t_{HO}	Data hold time: zero-crossing of differential output clock (CLKOUTP – CLKOUTM) to data becoming invalid ⁽⁵⁾⁽⁶⁾	1-wire mode	1.32	1.57		ns
		2-wire mode	2.75	3.12		
t_{PDI}	Clock propagation delay: input clock falling edge cross-over to frame clock rising edge cross-over (15 MSPS < sampling frequency < 25 MSPS)	1-wire mode	$0.1 \times t_S + t_{DELAY}$			ns
		2-wire mode	$0.61 \times t_S + t_{DELAY}$			ns
t_{DELAY}	Delay time		3	4.5	5.9	ns
	LVDS bit clock duty cycle: duty cycle of differential clock (CLKOUTP – CLKOUTM)			49%		
t_{FALL} , t_{RISE}	Data fall time, data rise time: rise time measured from -100 mV to 100 mV , $15\text{ MSPS} \leq \text{Sampling frequency} \leq 25\text{ MSPS}$			0.11		ns
$t_{CLKRISE}$, $t_{CLKFALL}$	Output clock rise time, output clock fall time: rise time measured from -100 mV to 100 mV , $15\text{ MSPS} \leq \text{Sampling frequency} \leq 25\text{ MSPS}$			0.11		ns

- (1) Measurements are done with a transmission line of a $100\text{-}\Omega$ characteristic impedance between the device and load. Setup and hold time specifications take into account the effect of jitter on the output data and clock.
- (2) Timing parameters are ensured by design and characterization and are not tested in production.
- (3) C_{LOAD} is the effective external single-ended load capacitance between each output pin and ground.
- (4) R_{LOAD} is the differential load resistance between the LVDS output pair.
- (5) Data valid refers to a logic high of 100 mV and a logic low of -100 mV .
- (6) Write relevant register settings as mentioned in [表 22](#).

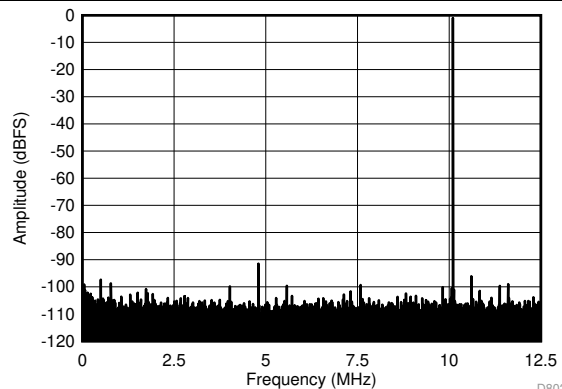
6.10 Typical Characteristics

typical values are at $T_A = 25^\circ\text{C}$, ADC sampling rate = 25 MSPS, 50% clock duty cycle, AVDD = 1.8 V, DVDD = 1.8 V, -1-dBFS differential input, $2-V_{PP}$ full-scale, 32k-point FFT, chopper disabled, and SNR reported with a 1-MHz offset from dc when chopper is disabled and from $f_s / 2$ when chopper is enabled (unless otherwise noted).



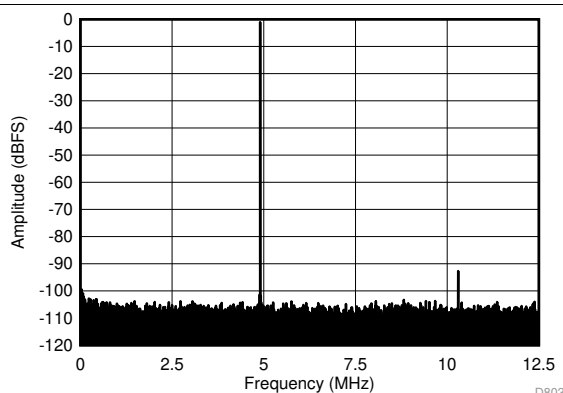
SFDR = 95 dBc, SNR = 71 dBFS, SINAD = 71 dBFS,
THD = 94 dBc, HD2 = 106 dBc, HD3 = 95 dBc

图 1. FFT for 10-MHz Input Signal (Dither On)



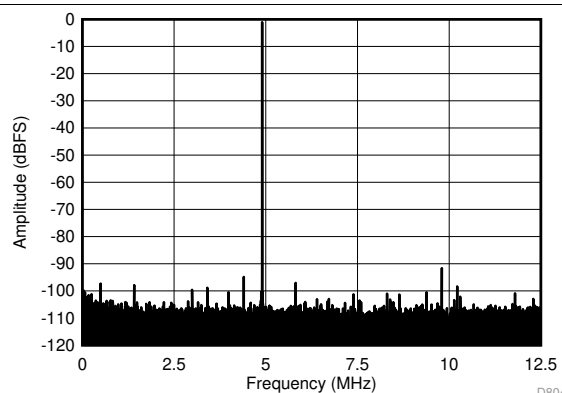
SFDR = 90 dBc, SNR = 71.2 dBFS, SINAD = 71.1 dBFS,
THD = 89 dBc, HD2 = 90 dBc, HD3 = 106 dBc

图 2. FFT for 10-MHz Input Signal (Dither Off)



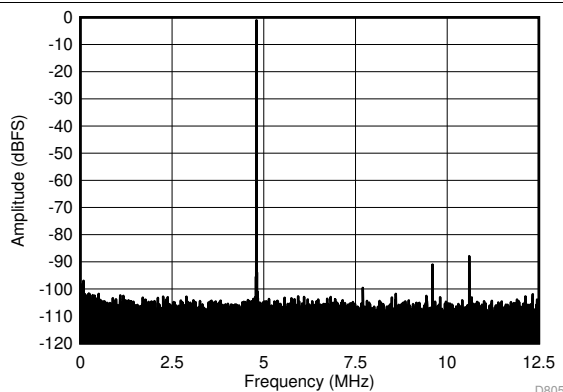
SFDR = 92 dBc, SNR = 70.5 dBFS, SINAD = 70.3 dBFS,
THD = 91 dBc, HD2 = 105 dBc, HD3 = 92 dBc

图 3. FFT for 70-MHz Input Signal (Dither On)



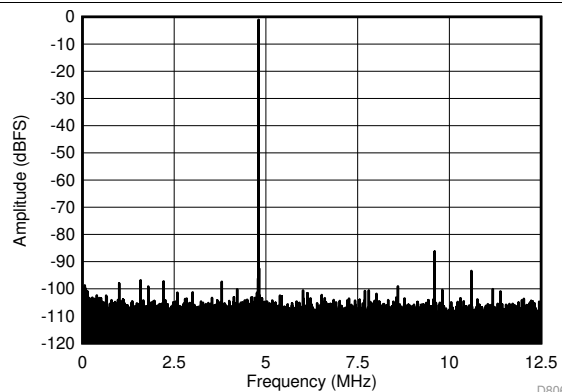
SFDR = 91 dBc, SNR = 70.7 dBFS, SINAD = 70.6 dBFS,
THD = 88 dBc, HD2 = 91 dBc, HD3 = 101 dBc

图 4. FFT for 70-MHz Input Signal (Dither Off)



SFDR = 87 dBc, SNR = 69.8 dBFS, SINAD = 69.7 dBFS,
THD = 85 dBc, HD2 = 90 dBc, HD3 = 87 dBc

图 5. FFT for 170-MHz Input Signal (Dither On)

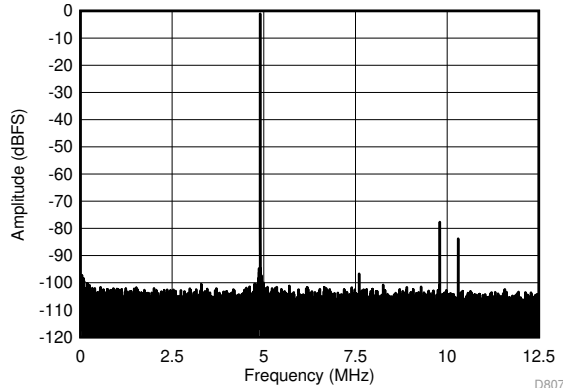


SFDR = 85 dBc, SNR = 70 dBFS, SINAD = 69.8 dBFS,
THD = 86 dBc, HD2 = 85 dBc, HD3 = 92 dBc

图 6. FFT for 170-MHz Input Signal (Dither Off)

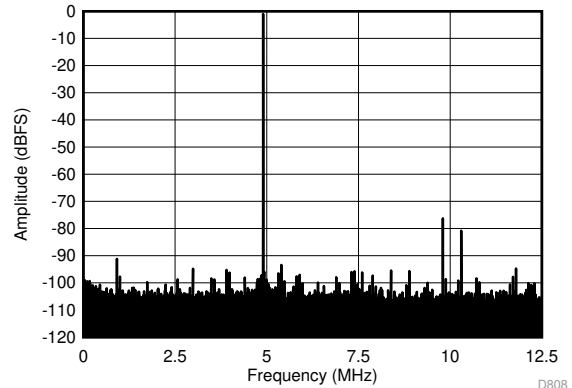
Typical Characteristics (continued)

typical values are at $T_A = 25^\circ\text{C}$, ADC sampling rate = 25 MSPS, 50% clock duty cycle, AVDD = 1.8 V, DVDD = 1.8 V, -1-dBFS differential input, $2\text{-}V_{PP}$ full-scale, 32k-point FFT, chopper disabled, and SNR reported with a 1-MHz offset from dc when chopper is disabled and from $f_s / 2$ when chopper is enabled (unless otherwise noted).



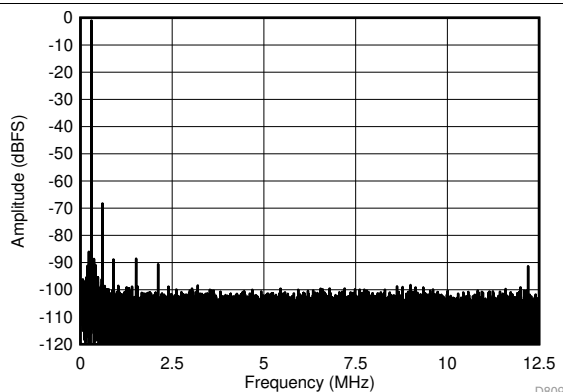
SFDR = 77 dBc, SNR = 68.2 dBFS, SINAD = 67.7 dBFS, THD = 75 dBc, HD2 = 77 dBc, HD3 = 83 dBc

7. FFT for 270-MHz Input Signal (Dither On)



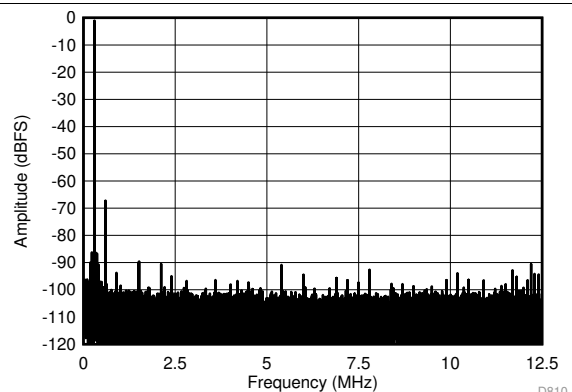
SFDR = 75 dBc, SNR = 68.4 dBFS, SINAD = 67.5 dBFS, THD = 74 dBc, HD2 = 75 dBc, HD3 = 80 dBc

8. FFT for 270-MHz Input Signal (Dither Off)



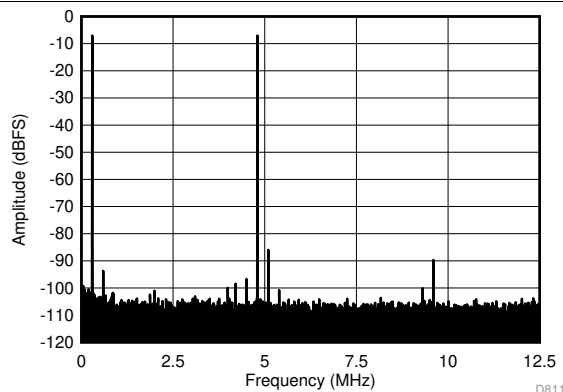
SFDR = 67 dBc, SNR = 66.4 dBFS, SINAD = 66.4 dBFS, THD = 93 dBc, HD2 = 67 dBc, HD3 = 88 dBc

9. FFT for 450-MHz Input Signal (Dither On)



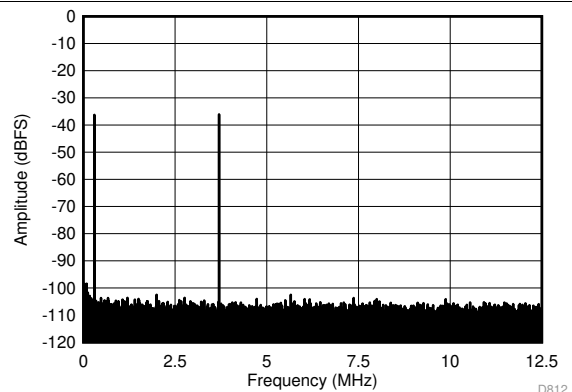
SFDR = 66 dBc, SNR = 66.5 dBFS, SINAD = 66.5 dBFS, THD = 87 dBc, HD2 = 66 dBc, HD3 = 93 dBc

10. FFT for 450-MHz Input Signal (Dither Off)



$f_{IN1} = 46\text{ MHz}$, $f_{IN2} = 50\text{ MHz}$, IMD3 = 90, each tone at = -7 dBFS

11. FFT for Two-Tone Input Signal (-7 dBFS at 46 MHz and 50 MHz)

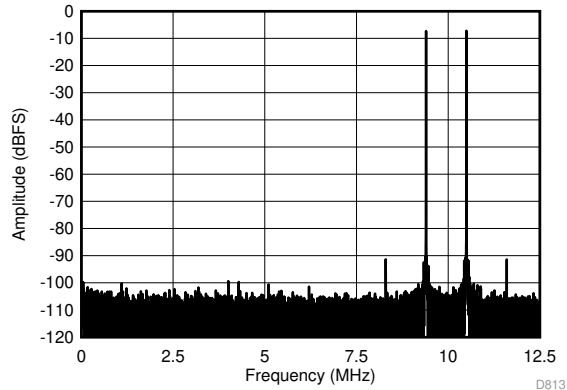


$f_{IN1} = 46\text{ MHz}$, $f_{IN2} = 50\text{ MHz}$, IMD3 = 105, each tone at = -36 dBFS

12. FFT for Two-Tone Input Signal (-36 dBFS at 46 MHz and 50 MHz)

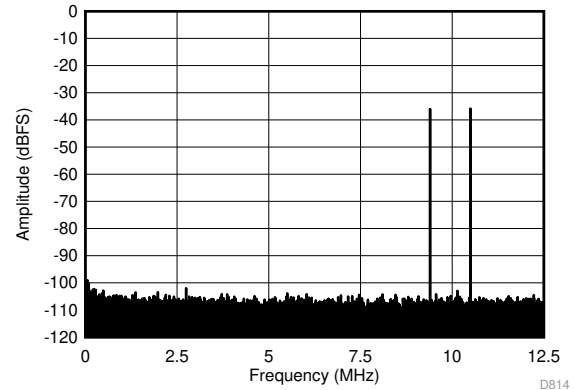
Typical Characteristics (continued)

typical values are at $T_A = 25^\circ\text{C}$, ADC sampling rate = 25 MSPS, 50% clock duty cycle, AVDD = 1.8 V, DVDD = 1.8 V, -1-dBFS differential input, $2\text{-}V_{PP}$ full-scale, 32k-point FFT, chopper disabled, and SNR reported with a 1-MHz offset from dc when chopper is disabled and from $f_S / 2$ when chopper is enabled (unless otherwise noted).



$f_{IN1} = 184.5 \text{ MHz}$, $f_{IN2} = 189.5 \text{ MHz}$, $\text{IMD3} = 91$,
each tone at -7 dBFS

Figure 13. FFT for Two-Tone Input Signal
(-7 dBFS at 185 MHz and 190 MHz)



$f_{IN1} = 184.5 \text{ MHz}$, $f_{IN2} = 189.5 \text{ MHz}$, $\text{IMD3} = 98 \text{ dBFS}$,
each tone at -36 dBFS

Figure 14. FFT for Two-Tone Input Signal
(-36 dBFS at 185 MHz and 190 MHz)

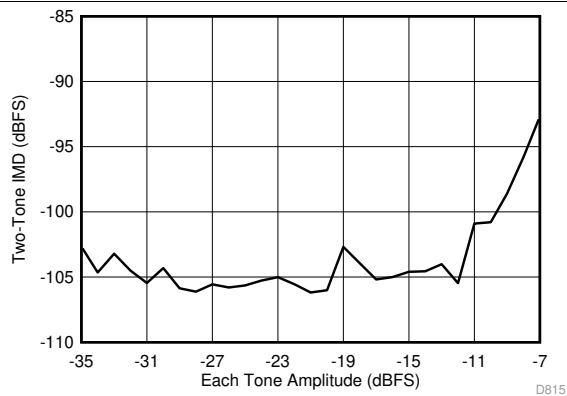


Figure 15. Intermodulation Distortion vs Input Amplitude
(46 MHz and 50 MHz)

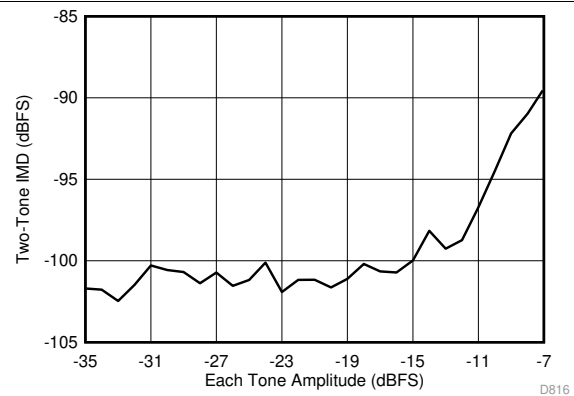


Figure 16. Intermodulation Distortion vs Input Amplitude
(185 MHz and 190 MHz)

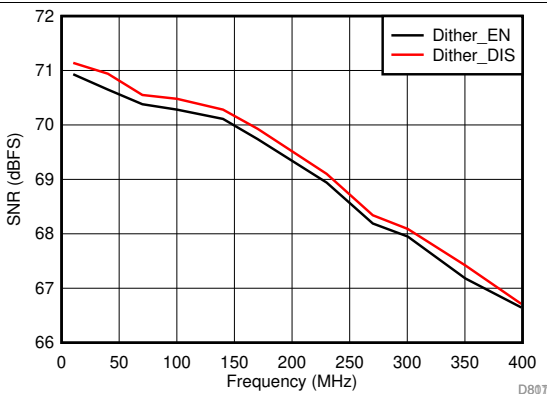


Figure 17. Signal-to-Noise Ratio vs Input Frequency

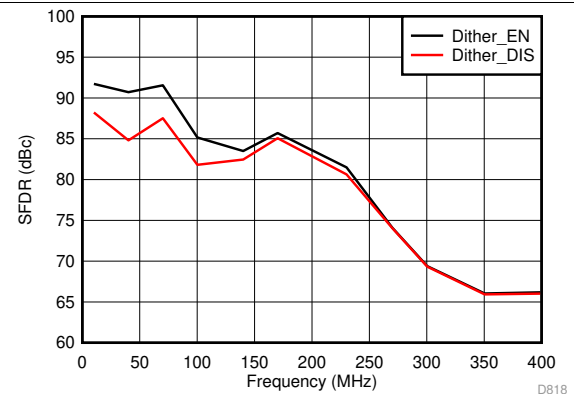
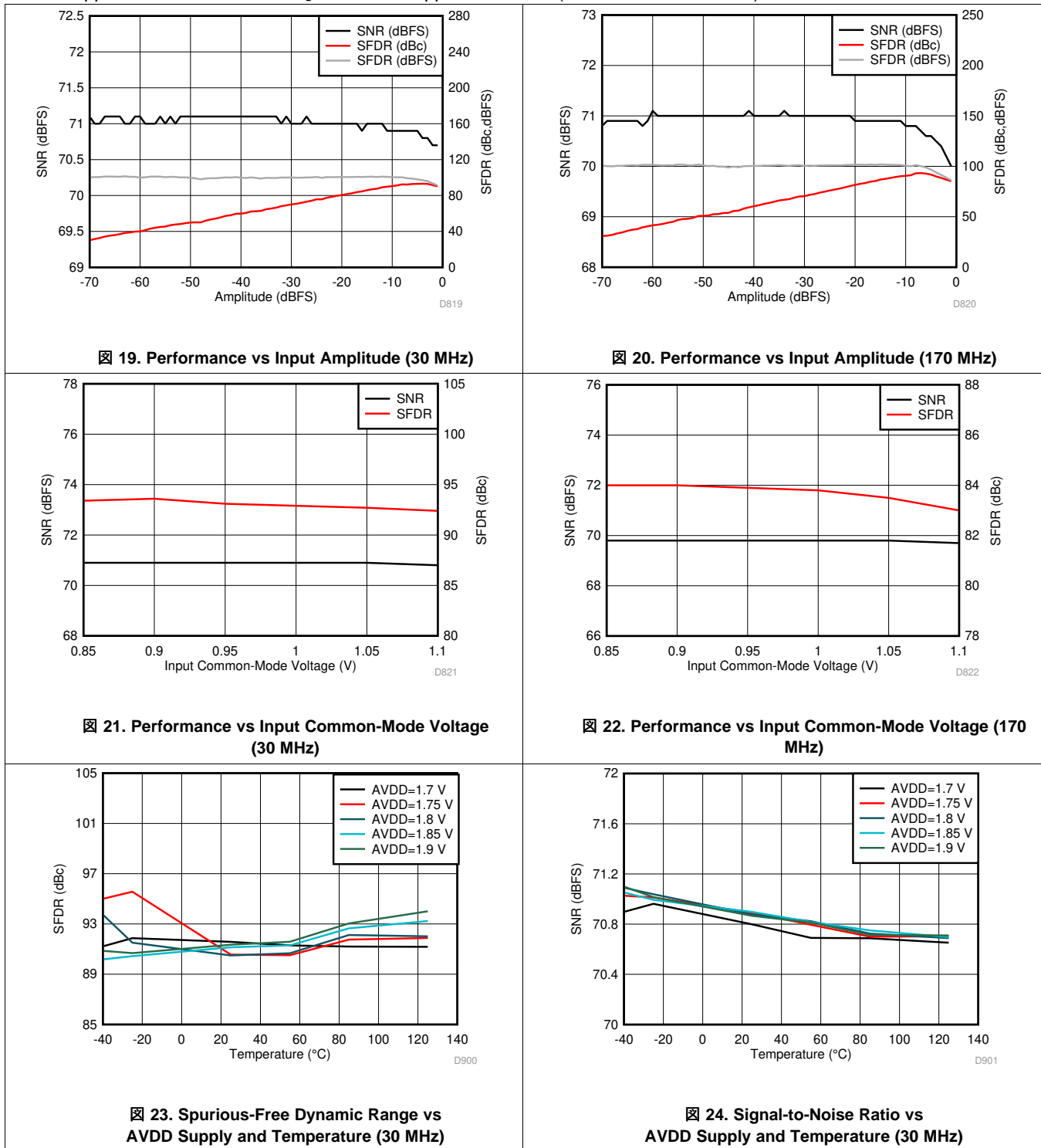


Figure 18. Spurious-Free Dynamic Range vs
Input Frequency

Typical Characteristics (continued)

typical values are at $T_A = 25^\circ\text{C}$, ADC sampling rate = 25 MSPS, 50% clock duty cycle, AVDD = 1.8 V, DVDD = 1.8 V, -1-dBFS differential input, $2 \cdot V_{PP}$ full-scale, 32k-point FFT, chopper disabled, and SNR reported with a 1-MHz offset from dc when chopper is disabled and from $f_S / 2$ when chopper is enabled (unless otherwise noted).



Typical Characteristics (continued)

typical values are at $T_A = 25^\circ\text{C}$, ADC sampling rate = 25 MSPS, 50% clock duty cycle, AVDD = 1.8 V, DVDD = 1.8 V, -1-dBFS differential input, $2\cdot V_{PP}$ full-scale, 32k-point FFT, chopper disabled, and SNR reported with a 1-MHz offset from dc when chopper is disabled and from $f_s / 2$ when chopper is enabled (unless otherwise noted).

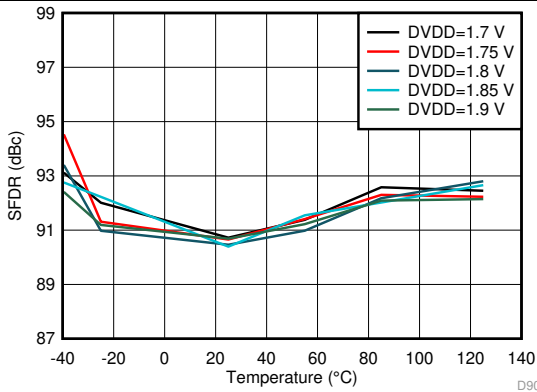


Figure 25. Spurious-Free Dynamic Range vs DVDD Supply and Temperature (30 MHz)

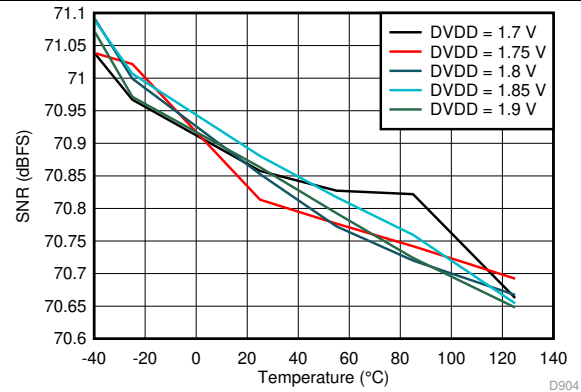


Figure 26. Signal-to-Noise Ratio vs DVDD Supply and Temperature (30 MHz)

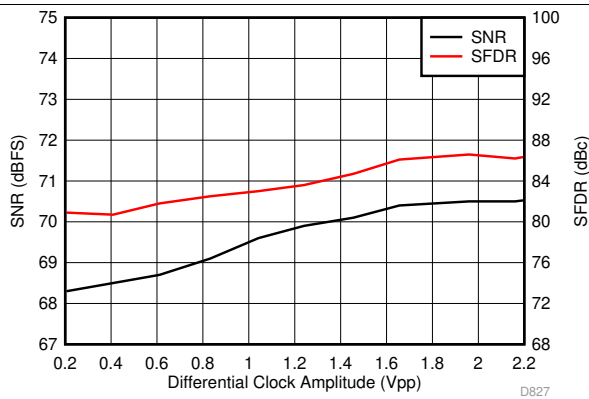


Figure 27. Performance vs Clock Amplitude (40 MHz)

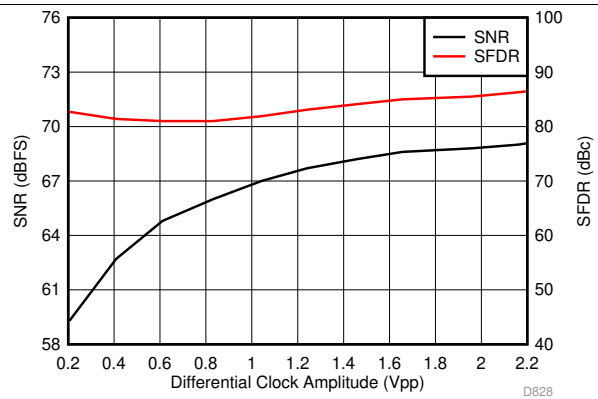


Figure 28. Performance vs Clock Amplitude (150 MHz)

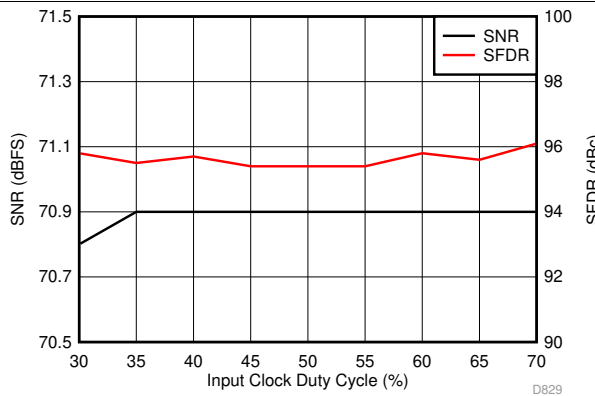


Figure 29. Performance vs Clock Duty Cycle (30 MHz)

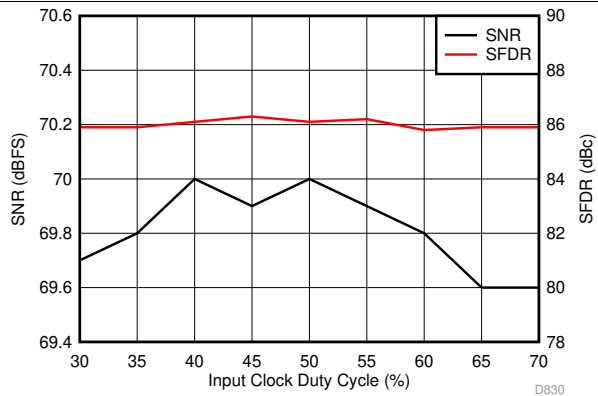
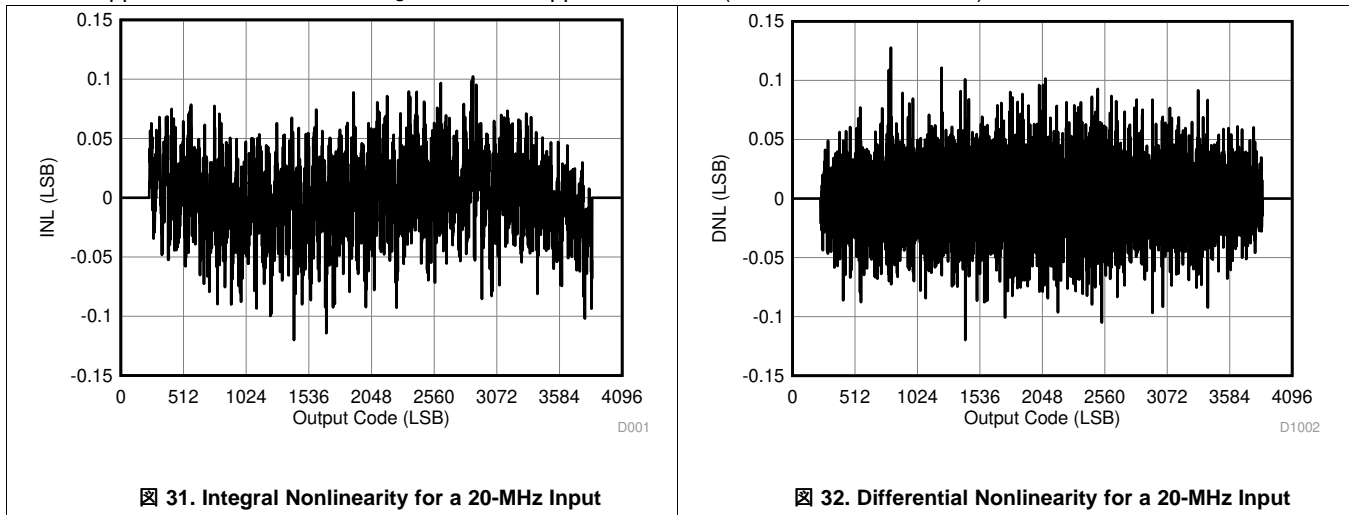


Figure 30. Performance vs Clock Duty Cycle (150 MHz)

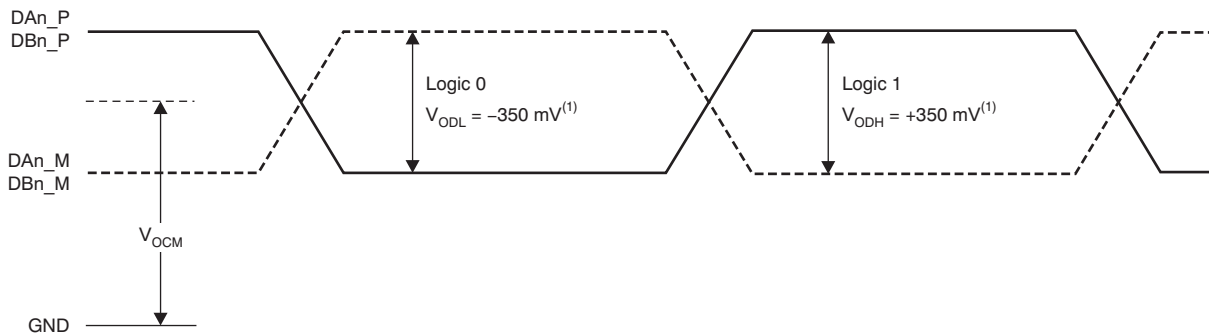
Typical Characteristics (continued)

typical values are at $T_A = 25^\circ\text{C}$, ADC sampling rate = 25 MSPS, 50% clock duty cycle, AVDD = 1.8 V, DVDD = 1.8 V, -1-dBFS differential input, $2\text{-}V_{PP}$ full-scale, 32k-point FFT, chopper disabled, and SNR reported with a 1-MHz offset from dc when chopper is disabled and from $f_S / 2$ when chopper is enabled (unless otherwise noted).



7 Parameter Measurement Information

7.1 Timing Diagrams



(1) With an external 100-Ω termination.

⊠ 33. Serial LVDS Output Voltage Levels

Timing Diagrams (continued)

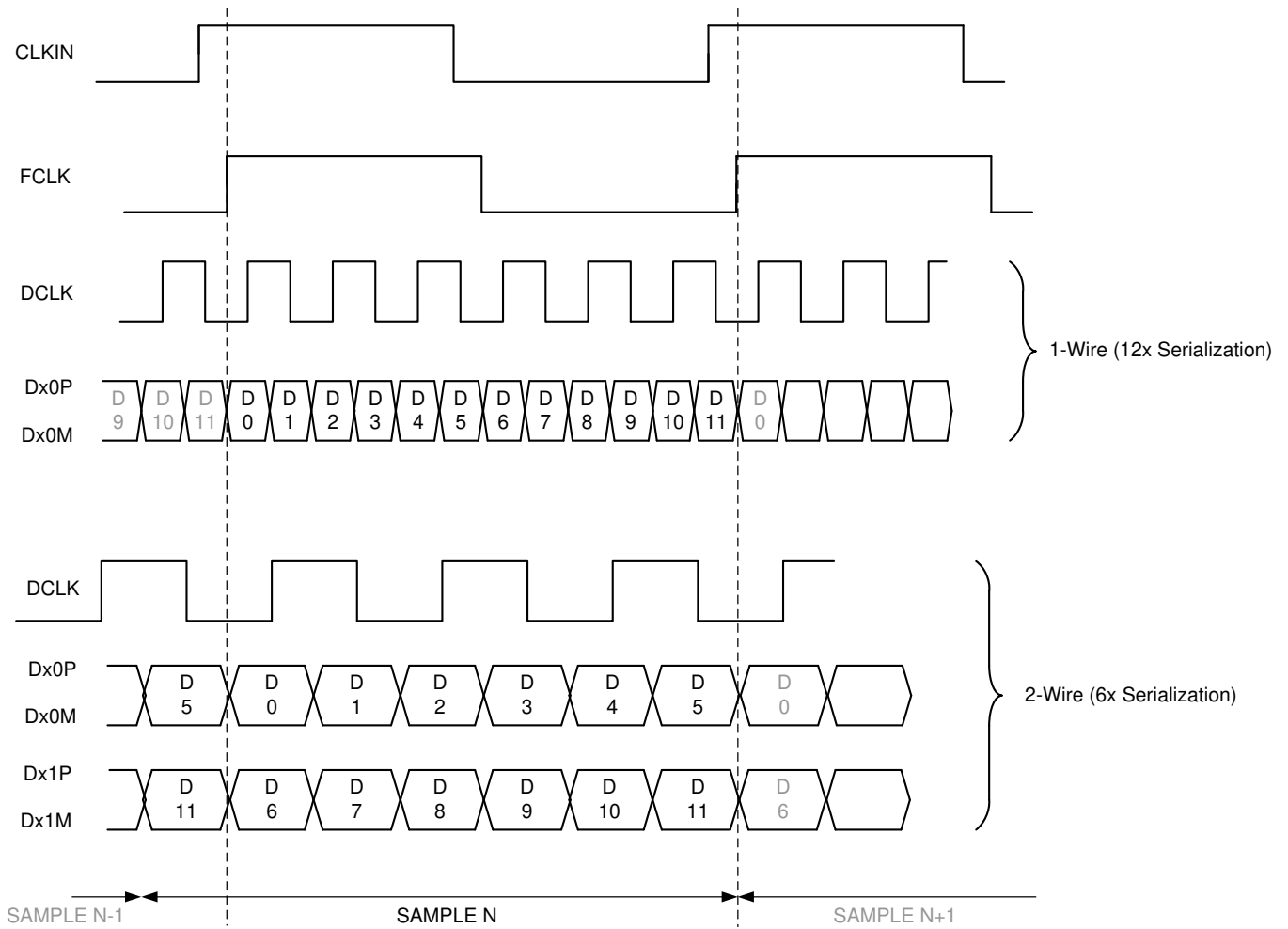


FIG 34. Output Timing Diagram

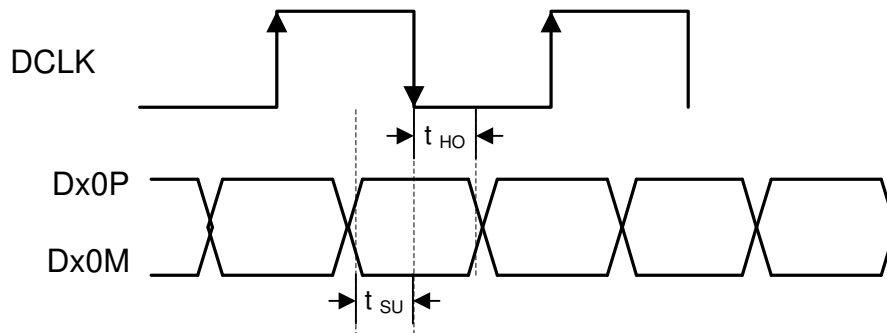


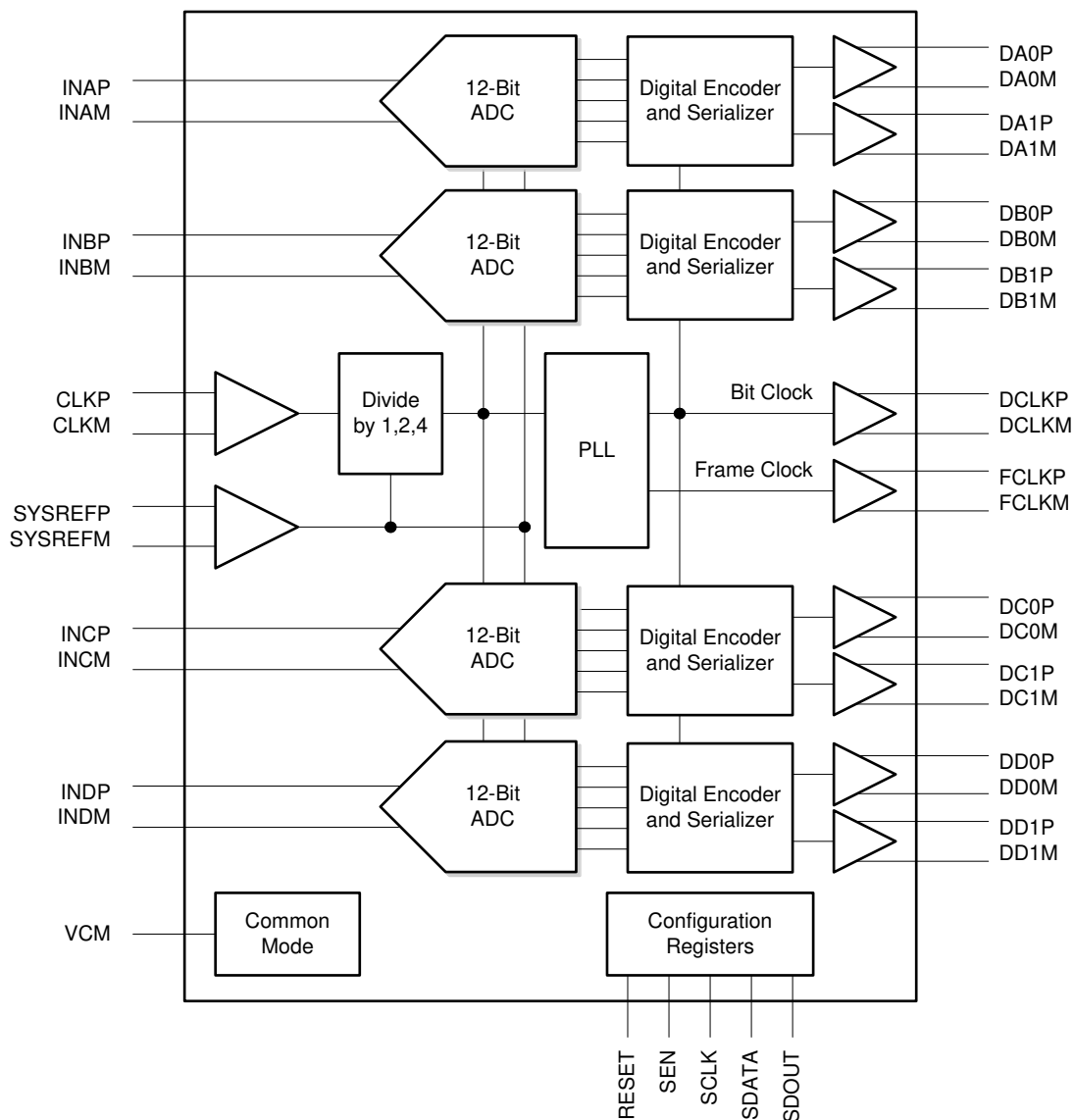
FIG 35. Setup and Hold Time

8 Detailed Description

8.1 Overview

The ADC3421-Q1 is an automotive-grade, high-linearity, ultra-low power, quad-channel, 12-bit, 25-MSPS analog-to-digital converter (ADC). The device is designed specifically to support demanding, high input frequency signals with large dynamic range requirements. An input clock divider gives more flexibility for system clock architecture design, and the SYSREF input enables complete system synchronization. The ADC3421-Q1 supports a serial low-voltage differential signaling (LVDS) interface in order to reduce the number of interface lines, thus allowing for high system integration density. The serial LVDS interface is two-wire, where each ADC data are serialized and output over two LVDS pairs. An internal phase-locked loop (PLL) multiplies the incoming ADC sampling clock to derive the bit clock that is used to serialize the 12-bit output data from each channel. In addition to the serial data streams, the frame and bit clocks are also transmitted as LVDS outputs.

8.2 Functional Block Diagram



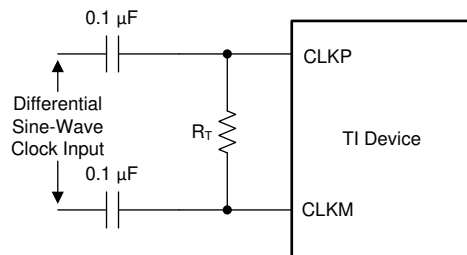
8.3 Feature Description

8.3.1 Analog Inputs

The ADC3421-Q1 analog signal inputs are designed to be driven differentially. Each input pin (INP, INM) must swing symmetrically between $(V_{CM} + 0.5\text{ V})$ and $(V_{CM} - 0.5\text{ V})$, resulting in a $2\text{-}V_{PP}$ (default) differential input swing. The input sampling circuit has a 3-dB bandwidth that extends up to 540 MHz (50- Ω source driving 50- Ω termination between INP and INM).

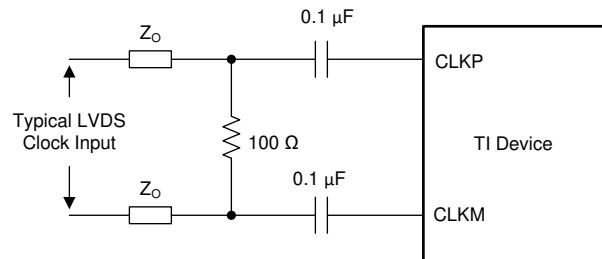
8.3.2 Clock Input

The device clock inputs can be driven differentially (sine, LVPECL, or LVDS) or single-ended (LVCMOS), with little or no difference in performance between them. The common-mode voltage of the clock inputs is set to 0.95 V using internal 5-k Ω resistors. The self-bias clock inputs of the ADC3421-Q1 can be driven by the transformer-coupled, sine-wave clock source or by the ac-coupled, LVPECL and LVDS clock sources, as shown in [36](#), [37](#), and [38](#). See [39](#) for details regarding the internal clock buffer.

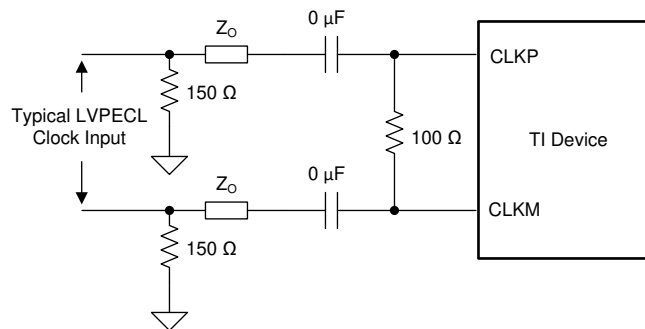


NOTE: R_T = termination resistor, if necessary.

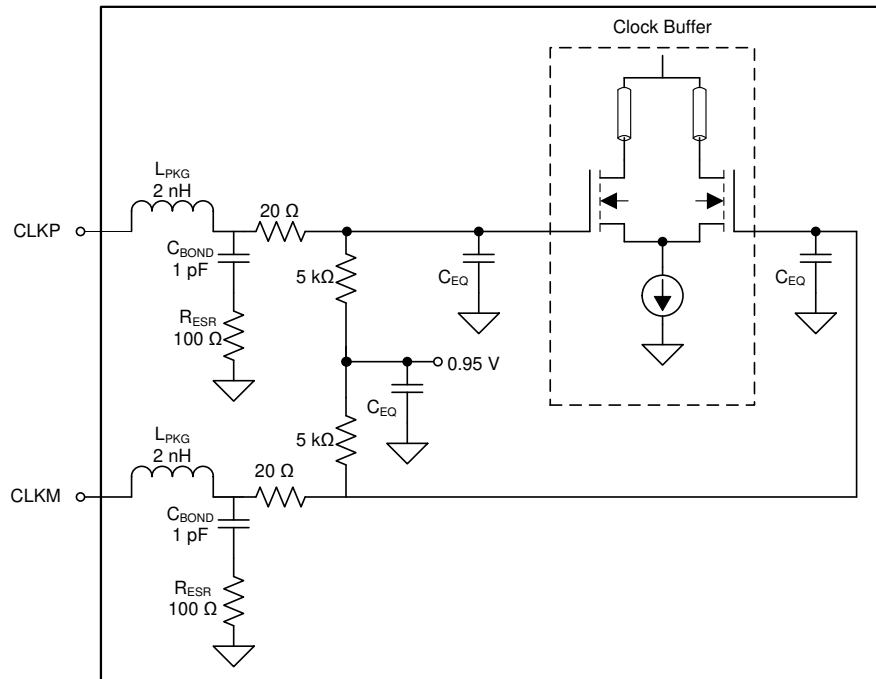
36. Differential Sine-Wave Clock Driving Circuit



37. LVDS Clock Driving Circuit



38. LVPECL Clock Driving Circuit



NOTE: C_{EQ} is 1 pF to 3 pF and is the equivalent input capacitance of the clock buffer.

图 39. Internal Clock Buffer

A single-ended CMOS clock can be ac-coupled to the CLKP input, with CLKM connected to ground with a 0.1-μF capacitor, as shown in 图 40. However, for best performance the clock inputs must be driven differentially, thereby reducing susceptibility to common-mode noise. For high input frequency sampling, TI recommends using a clock source with very low jitter. Band-pass filtering of the clock source can help reduce the effects of jitter. There is no change in performance with a non-50% duty cycle clock input.

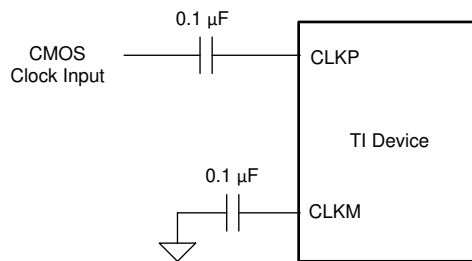


图 40. Single-Ended Clock Driving Circuit

8.3.2.1 SNR and Clock Jitter

The signal-to-noise ratio of the ADC is limited by three different factors, as shown in 式 1. Quantization noise (typically 74 dB for a 12-bit ADC) and thermal noise limit SNR at low input frequencies, and the clock jitter sets SNR for higher input frequencies.

$$SNR_{ADC}[dBc] = -20 \cdot \log \sqrt{\left(10^{\frac{SNR_{Quantization_Noise}}{20}} \right)^2 + \left(10^{\frac{SNR_{Thermal_Noise}}{20}} \right)^2 + \left(10^{\frac{SNR_{Jitter}}{20}} \right)^2} \tag{1}$$

The SNR limitation resulting from sample clock jitter can be calculated with 式 2.

$$SNR_{jitter}[dBc] = -20 \cdot \log(2\pi \cdot f_{in} \cdot t_{jitter}) \tag{2}$$

The total clock jitter (T_{Jitter}) has two components: the internal aperture jitter (130 fs for the device) which is set by the noise of the clock input buffer and the external clock. T_{Jitter} can be calculated with 式 3.

$$t_{\text{Jitter}} = \sqrt{\left(t_{\text{Jitter,Ext.Clock_Input}}\right)^2 + \left(t_{\text{Aperture_ADC}}\right)^2} \tag{3}$$

External clock jitter can be minimized by using high-quality clock sources and jitter cleaners as well as band-pass filters at the clock input; a faster clock slew rate improves the ADC aperture jitter. The devices have a typical thermal noise of 70.6 dBFS and internal aperture jitter of 130 fs. The SNR, depending on the amount of external jitter for different input frequencies, is shown in 图 41.

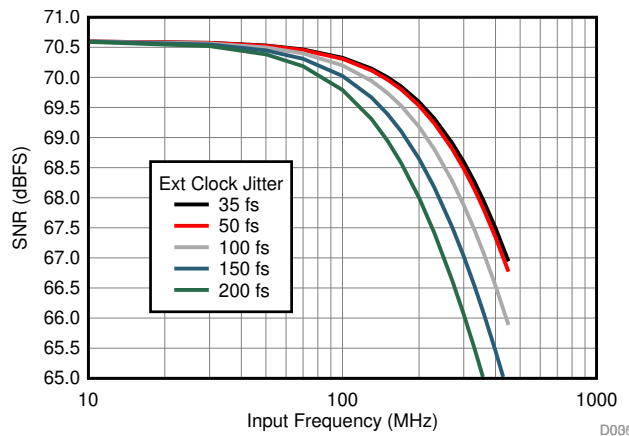


图 41. SNR vs Frequency for Different Clock Jitter

8.3.3 Digital Output Interface

The devices offer two different output format options, thus making interfacing to a field-programmable gate array (FPGA) or an application-specific integrated circuit (ASIC) easy. Each option can be easily programmed using the serial interface, as shown in 表 1. The output interface options are:

- One-wire, 1x frame clock, 12x serialization with the DDR bit clock and
- Two-wire, 1x frame clock, 6x serialization with the DDR bit clock.

表 1. Interface Rates

INTERFACE OPTIONS	SERIALIZATION	RECOMMENDED SAMPLING FREQUENCY (MSPS)		BIT CLOCK FREQUENCY (MHz)	FRAME CLOCK FREQUENCY (MHz)	SERIAL DATA RATE PER WIRE (Mbps)
		MINIMUM	MAXIMUM			
One-wire	12x	15	25	90	15	180
				150	25	300
Two-wire (Default after Reset)	6x	20 ⁽¹⁾	25	60	20	120
				75	25	150

(1) Use the LOW SPEED ENABLE register bits for low speed operation; see .

8.3.3.1 One-Wire Interface: 12x Serialization

In this interface option, the device outputs the data of each ADC serially on a single LVDS pair (one-wire). The data are available at the rising and falling edges of the bit clock (DDR bit clock). The ADC outputs a new word at the rising edge of every frame clock, starting with the LSB. The data rate is 12x sample frequency (12x serialization).

8.3.3.2 Two-Wire Interface: 6x Serialization

In two-wire interface, the output data rate is 6x sample frequency because six data bits are output every clock cycle on each differential pair. Each ADC sample is sent over the two wires with the six MSBs on Dx1P, Dx1M and the six LSBs on Dx0P, Dx0M, as shown in [Figure 42](#).

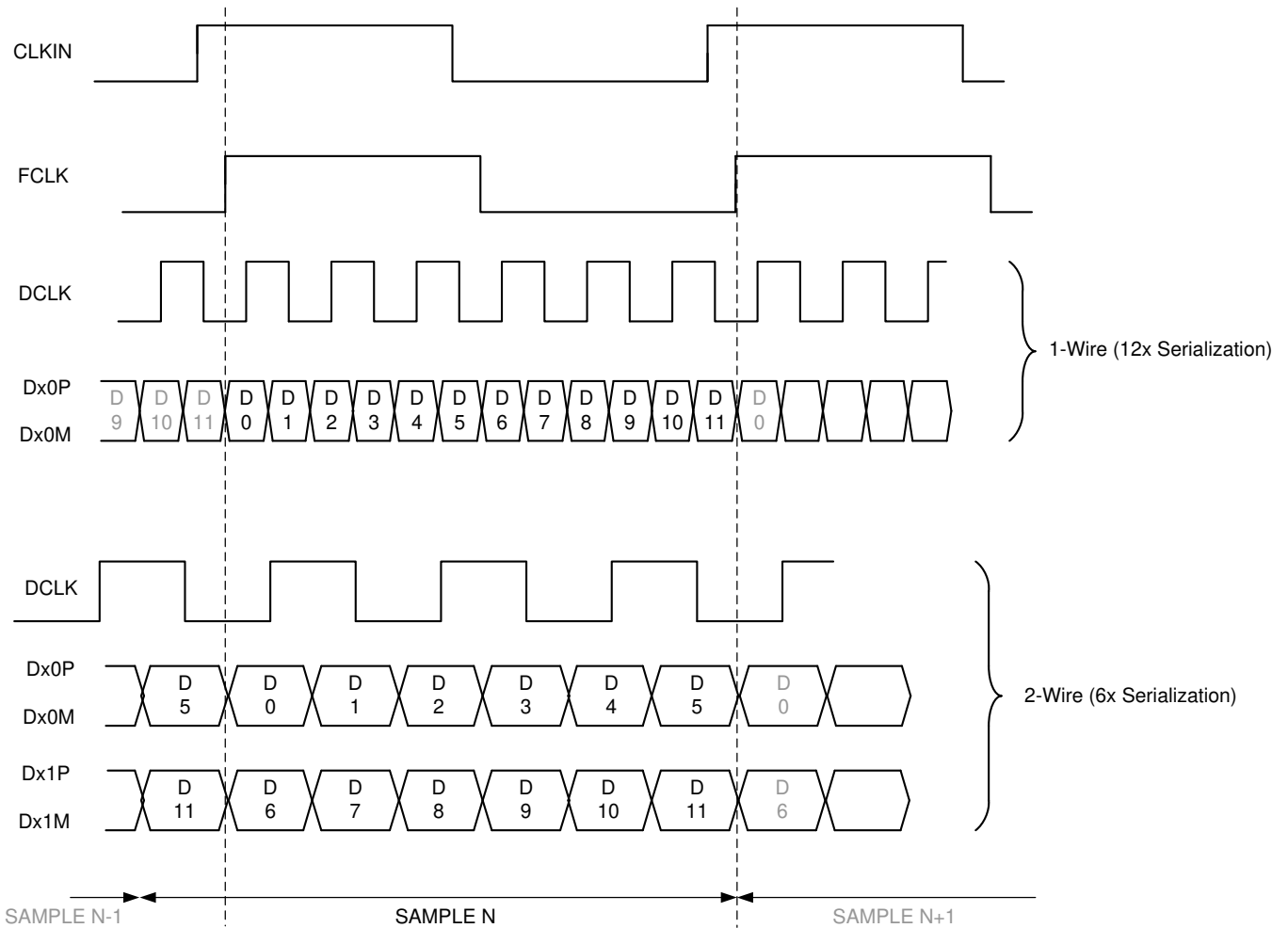


Figure 42. Output Timing Diagram

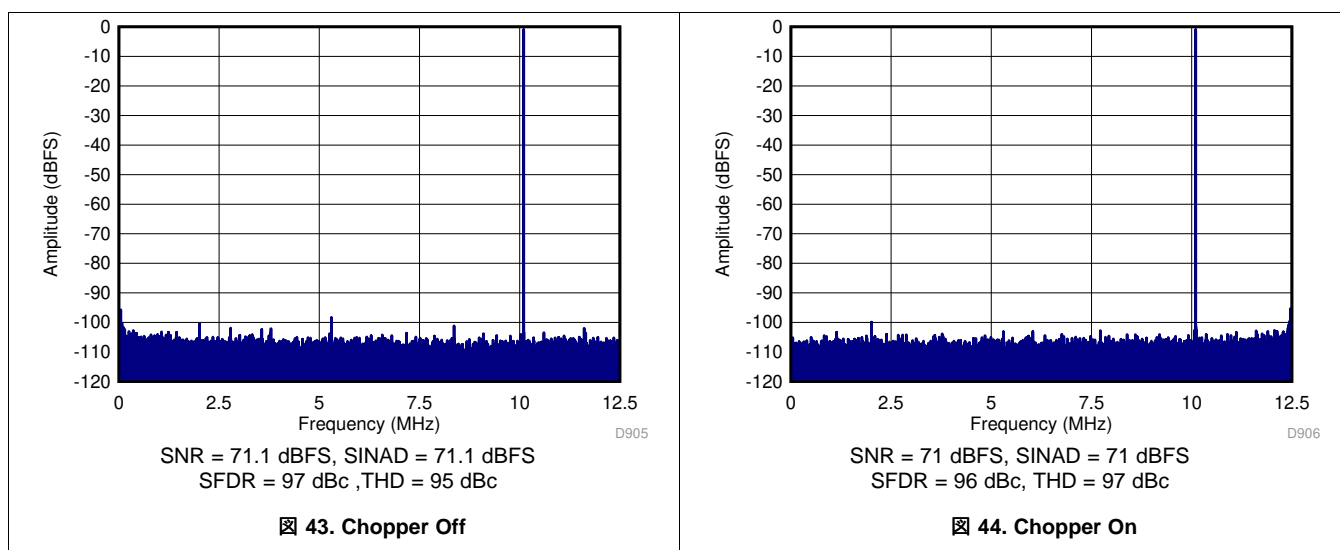
8.4 Device Functional Modes

8.4.1 Input Clock Divider

The devices are equipped with an optional internal divider on the clock input. The clock divider allows operation with a faster input clock (divide by 2 and divide by 4 options programmable using SPI), thus simplifying the system clock distribution design.

8.4.2 Chopper Functionality

The devices are equipped with an internal chopper front-end. Enabling the chopper function swaps the ADC noise spectrum by shifting the $1/f$ noise from dc to $f_s / 2$. [Figure 43](#) shows the noise spectrum with the chopper off and [Figure 44](#) shows the noise spectrum with the chopper on. This function is especially useful in applications requiring good ac performance at low input frequencies or in dc-coupled applications. The chopper can be enabled via SPI register writes and is recommended for input frequencies below 30 MHz. The chopper function creates a spur at $f_s / 2$ that must be filtered out digitally.



8.4.3 Power-Down Control

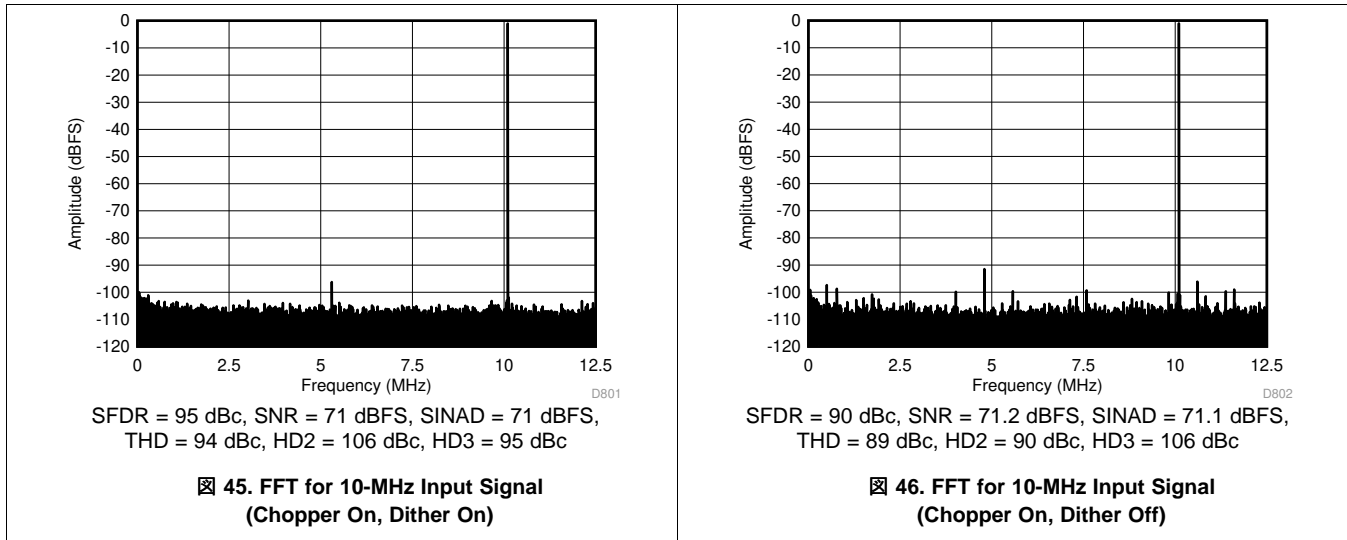
The power-down functions of the ADC3421-Q1 can be controlled either through the parallel control pin (PDN) or through an SPI register setting (see [register 15h](#)). The PDN pin can also be configured via SPI to a global power-down or standby functionality, as shown in [Table 2](#).

Table 2. Power-Down Modes

FUNCTION	POWER CONSUMPTION (mW)	WAKE-UP TIME (μ s)
Global power-down	5	85
Standby	34	35

8.4.4 Internal Dither Algorithm

The ADC3421-Q1 uses an internal dither algorithm to achieve high SFDR and a clean spectrum. However, the dither algorithm marginally degrades SNR, creating a trade-off between SNR and SFDR. If desired, the dither algorithm can be turned off by using the DIS DITH CHx registers bits. [Figure 45](#) and [Figure 46](#) show the effect of using dither algorithms.



8.4.5 Summary of Performance Mode Registers

[Table 3](#) lists the location, value, and functions of performance mode registers in the device.

Table 3. Performance Modes

MODE	REGISTER SETTINGS	DESCRIPTION
Special modes	Registers 139 (bit 3), 239 (bit 3), 439 (bit 3), and 539 (bit 3)	Always write 1 for best performance
Disable dither	Registers 1 (bits 7:0), 134 (bits 5 and 3), 234 (bits 5 and 3), 434 (bits 5 and 3), and 534 (bits 5 and 3)	Disable dither to improve SNR
Disable chopper	Registers 122 (bit 1), 222 (bit 1), 422 (bit 1), and 522 (bit 1)	Disable chopper (shifts 1/f noise floor at dc)
High IF modes	Registers 11Dh (bit 1), 21Dh (bit 1), 31Dh (bit 7 and bit 1), 41Dh (bit 1), 51Dh (bit 1), 308h (bits 7-6), 608h (bits 7-6) and 61Dh (bit 7 and bit 1)	Improves HD3 by a couple of dB for IF > 100 MHz

8.4.6 Device Diagnostic Modes

The device offers various diagnostic modes to check proper device operation at system level. These modes can be enabled using the SPI. Outputs of these modes are stored in diagnostic read-only registers.

8.4.6.1 Internal Reference and Clock Status Check

Device is equipped with a mode to verify presence of a valid input clock, as well as status of on-chip ADC reference. When a valid clock input clock is absent at input clock pins (CLKP,CLKM) of ADC, device sets register bit CLK STATUS to '1'. Similarly, if internal reference block is malfunctioning for a channel, device sets register bits REF STATUS CHx to '1'. To read the status of internal reference from these pins:

1. First enable reference status check by setting register bit EN REF STATUS CHECK to '1'.
2. Read back register bits REF STATUS CHx on SDATA pin for desired channel (x = A, B, C or D).

8.4.6.2 DC Input check

In this mode, an internally generated DC voltage can be forced by device to its analog inputs. Before forcing internal DC voltage, analog inputs must float. To enable forcing internal DC voltage, register bit EN DC FORCE must be set HIGH. Forced voltage is programmable by register bits DC FORCE[2:0], applied to all four channels together. In terms of output code, typical value of programmed DC voltage is given by equation mentioned below:

$$\text{Output code} = 368 \times \text{DC FORCE}[2:0] + 745.$$

Output code is available on LVDS data outputs.

8.4.6.3 Mean and Variance Measurement

Mean and variance values of the ADC output can be analyzed using the on-chip statistical module available for individual channel for a programmable length of samples. These values are stored in register bits MEAN[11:0] and VAR[11:0] in 2s complement format. Equation for computing mean and variance values respectively are given below:

$$\bullet \quad \text{Mean} = \bar{x} = \sum_{n=1}^N \frac{S(n)}{N}$$

$$\bullet \quad \text{Variance} = \sum_{n=1}^N \frac{|S(n) - \bar{x}|}{N}$$

Where S(n) is nth sample, N is total number of samples used for computation, programmed by register bits SAMPLES FOR STATS[1:0].

Follow steps mentioned below to read the mean and variance:

1. Enable Statistical Module by setting bit EN STATS to '1'.
2. Select desired channel through bits STATS CH SEL[1:0].
3. Program number of samples, N, using register bits SAMPLES FOR STATS[1:0].
4. Wait for at least 4N samples for module to compute and update the results.
5. Disable Statistical Module by resetting EN STATS bit to '0'.
6. Read back mean and variance values from register bits MEAN[11:0] and VAR[11:0]. These values are in 2s complement format.

8.4.6.4 Temperature Sensor

The device is equipped with a temperature sensor to measure internal junction temperature.

The temperature sensor output is a 9-bit digital data available in 2s complement format directly representing temperature in degree Celsius units. Temperature data is internally updated every $1024 \times T_{\text{CLK}} \times 16$ seconds where T_{CLK} period of sampling clock in seconds. Follow the steps mentioned below to read temperature sensor's output:

1. Enable temperature sensor by setting bits EN TEMP SENSE and EN TEMP SENSE CONV to '1'.
2. Wait for at least $1024 \times T_{\text{CLK}} \times 16$ seconds for temperature sensor to update the data.
3. Disable temperature sensor by resetting the bit EN TEMP SENSE to '0'.
4. Load temperature sensor's data to register bits TEMPDATA[8:0] by setting register bit EN TEMP DATA READOUT to '1'.
5. Readout 9-bit temperature data from register bits TEMPDATA[8:0] located in register addresses 10h and 11h.

8.5 Programming

The ADC3421-Q1 can be configured using a serial programming interface, as described in this section.

8.5.1 Serial Interface

The device has a set of internal registers that can be accessed by the serial interface formed by the SEN (serial interface enable), SCLK (serial interface clock), SDATA (serial interface data), and SDOUT (serial interface data output) pins. Serially shifting bits into the device is enabled when SEN is low. Serial data SDATA are latched at every SCLK rising edge when SEN is active (low). The serial data are loaded into the register at every 24th SCLK rising edge when SEN is low. When the word length exceeds a multiple of 24 bits, the excess bits are ignored. Data can be loaded in multiples of 24-bit words within a single active SEN pulse. The interface can function with SCLK frequencies from 20 MHz down to very low speeds (of a few hertz) and also with a non-50% SCLK duty cycle.

Programming (continued)

8.5.1.1 Register Initialization

After power-up, the internal registers **must** be initialized to their default values through a hardware reset by applying a high pulse on the RESET pin (of durations greater than 10 ns), as shown in [Figure 47](#). Notice that when hardware reset is applied for "first time after powering up the device", the SEN pin must be in low logic state. However, this requirement is applicable only for first hardware reset after power-up. Any subsequent hardware reset does not require SEN to be in low logic state and works independent to it. If required, the serial interface registers can be cleared during operation either:

1. Through a hardware reset, or
2. By applying a software reset. When using the serial interface, set the RESET bit (D0 in register address 06h) high. This setting initializes the internal registers to the default values and then self-resets the RESET bit low. In this case, the RESET pin is kept low.

8.5.1.1.1 Serial Register Write

The device internal register can be programmed with these steps:

1. Drive the SEN pin low,
2. Set the R/W bit to 0 (bit A15 of the 16-bit address),
3. Set bit A14 in the address field to 1,
4. Initiate a serial interface cycle by specifying the address of the register (A13 to A0) whose content must be written, and
5. Write the 8-bit data that are latched in on the SCLK rising edge.

[Figure 47](#) and [Table 4](#) show the timing requirements for the serial register write operation.

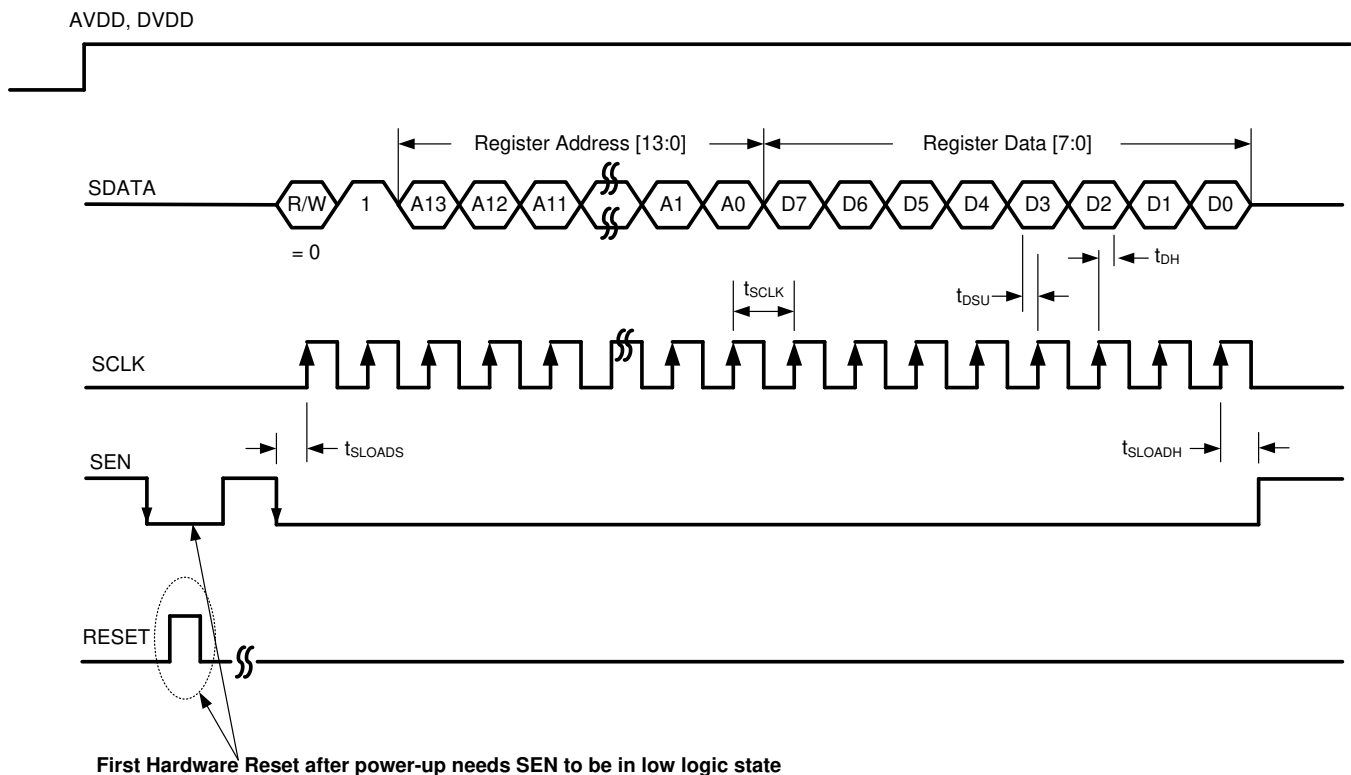


Figure 47. Serial Register Write Timing Diagram

Programming (continued)

表 4. Serial Interface Timing⁽¹⁾

		MIN	TYP	MAX	UNIT
f _{SCLK}	SCLK frequency (equal to 1 / t _{SCLK})	> dc		20	MHz
t _{SLOADS}	SEN to SCLK setup time	25			ns
t _{SLOADH}	SCLK to SEN hold time	25			ns
t _{DSU}	SDIO setup time	25			ns
t _{DH}	SDIO hold time	25			ns

(1) Typical values are at 25°C, full temperature range is from T_{MIN} = -40°C to T_{MAX} = 125°C, and AVDD = DVDD = 1.8 V, unless otherwise noted.

8.5.1.1.2 Serial Register Readout

The device includes a mode where the contents of the internal registers can be read back using the SDOUT pin. This readback mode may be useful as a diagnostic check to verify the serial interface communication between the external controller and the ADC. The procedure to read the contents of the serial registers is as follows:

1. Drive the SEN pin low.
2. Set the R/W bit (A15) to 1. This setting disables any further writes to the registers.
3. Set bit A14 in the address field to 1.
4. Initiate a serial interface cycle specifying the address of the register (A13 to A0) whose content must be read.
5. The device outputs the contents (D7 to D0) of the selected register on the SDOUT pin.
6. The external controller can latch the contents at the SCLK rising edge.
7. To enable register writes, reset the R/W register bit to 0.

When READOUT is disabled, the SDOUT pin is in a high-impedance mode. If serial readout is not used, the SDOUT pin must float. [Figure 48](#) shows a timing diagram of the serial register read operation. Data appear on the SDOUT pin at the SCLK falling edge with an approximate delay (t_{SD_DELAY}) of 20 ns, as shown in [Figure 49](#).

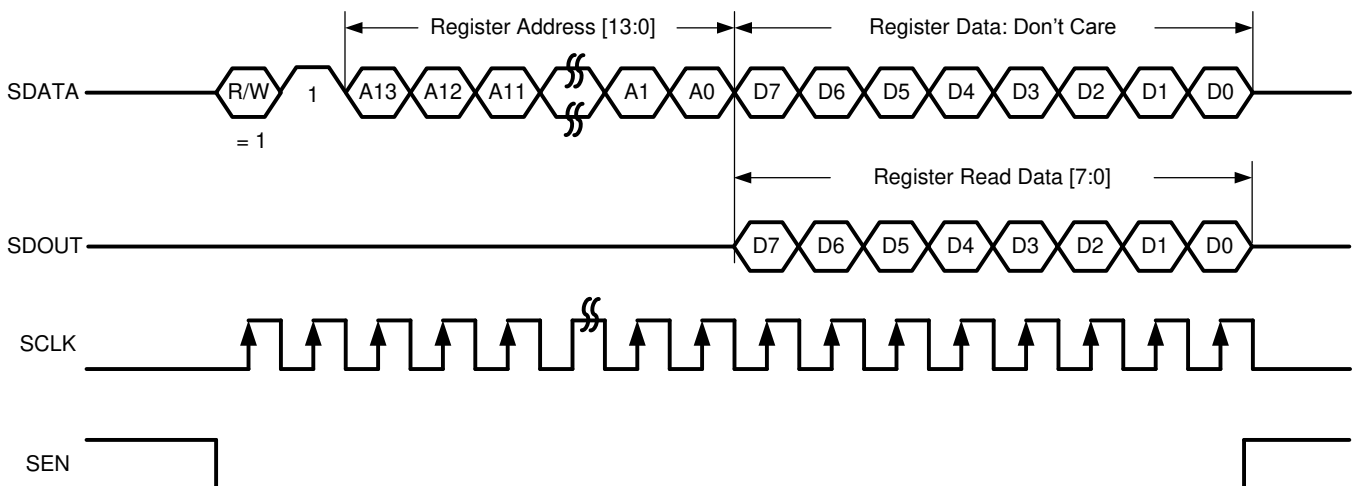


Figure 48. Serial Register Read Timing Diagram

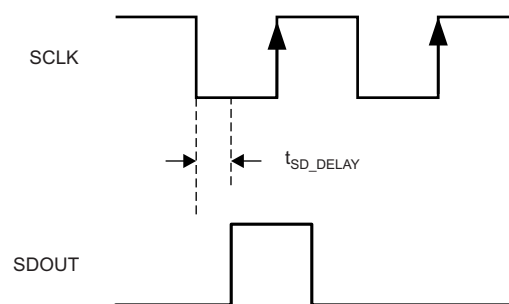


Figure 49. SDOUT Timing Diagram

8.5.2 Register Initialization

After power-up, the internal registers must be initialized to their default values through a hardware reset by applying a high pulse on the RESET pin, as shown in 图 50 and 表 5.

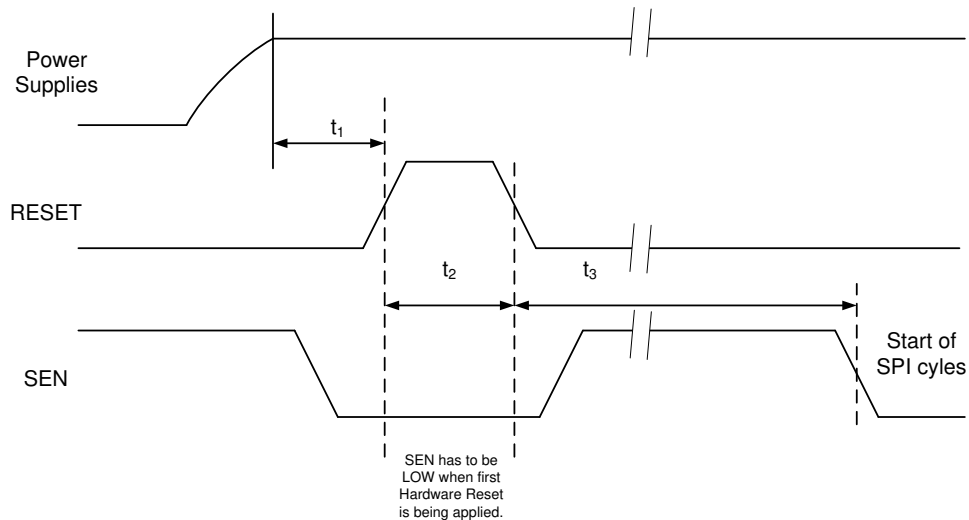


图 50. Initialization of Serial Registers after Power-Up

表 5. Power-Up Timing

		MIN	TYP	MAX	UNIT
t_1	Power-on delay from power-up to active high RESET pulse	1			ms
t_2	Reset pulse duration: active high RESET pulse duration	10			ns
t_3	Register write delay from RESET disable to SEN active	100			ns

If required, the serial interface registers can be cleared during operation either:

1. Through hardware reset, or
2. By applying a software reset. When using the serial interface, set the RESET bit (D0 in register address 06h) high. This setting initializes the internal registers to the default values and then self-resets the RESET bit low. In this case, the RESET pin is kept low.

8.6 Register Maps

表 6. Register Map Summary

REGISTER ADDRESS, A[13:0] (Hex)	REGISTER DATA								
	7	6	5	4	3	2	1	0	
Register 01h	DIS DITH CHA		DIS DITH CHB		DIS DITH CHC		DIS DITH CHD		
Register 02h	STATS CH SEL[1:0]		0	0	0	0	0	0	
Register 03h	0	0	0	0	0	0	0	ODD EVEN	
Register 04h	0	0	0	0	0	0	0	FLIP WIRE	
Register 05h	0	0	0	0	0	0	0	1W-2W	
Register 06h	0	0	0	0	0	0	TEST PATTERN EN	RESET	
Register 07h	0	0	0	0	0	0	0	OVR ON LSB	
Register 09h	0	0	0	0	0	0	ALIGN TEST PATTERN	DATA FORMAT	
Register 0Ah	CHA TEST PATTERN				CHB TEST PATTERN				
Register 0Bh	CHC TEST PATTERN 0				CHD TEST PATTERN				
Register 0Eh	CUSTOM PATTERN[11:4]								
Register 0Fh	CUSTOM PATTERN[3:0]				0	0	0	0	
Register 10h	REF STATUS CHB OR TEMPDATA [2]	REF STATUS CHD OR TEMPDATA [1]	REF STATUS CHA OR TEMPDATA [0]	CLK STATUS	TEMPDATA[6:4]			REF STATUS CHC OR TEMPDATA [3]	
Register 11h	0	0	TEMPDATA [8:7]		0	0	0	0	
Register 13h	0	EN REF STATUS CHECK	EN DC FORCE	EN STATS	0	0	LOW SPEED ENABLE		
Register 14h	0	EN TEMP SENS CONV	EN TEMP SENSE	0	0	EN TEMP DATA READOUT	0	0	
Register 15h	CHA PDN	CHB PDN	CHC PDN	CHD PDN	STANDBY	GLOBAL PDN	0	CONFIG PDN PIN	
Register 16h	MEAN[5:0]						0	0	
Register 17h	0	0	MEAN[11:6]					0	0
Register 18h	VAR[5:0]						0	0	
Register 19h	0	0	VAR[11:6]					0	0
Register 25h	LVDS SWING								
Register 27h	CLK DIV		0	0	0	0	0	0	
Register 4Bh	0	0	0	0	0	0	SAMPLES FOR STATS[1:0]		
Register 11Dh	0	0	0	0	0	0	HIGH IF MODE0	0	
Register 122h	0	0	0	0	0	0	DIS CHOP CHA	0	
Register 134h	0	0	DIS DITH CHA	0	DIS DITH CHA	0	0	0	
Register 139h	0	0	0	0	SP1 CHA	0	0	0	
Register 21Dh	0	0	0	0	0	0	HIGH IF MODE1	0	
Register 222h	0	0	0	0	0	0	DIS CHOP CHD	0	
Register 234h	0	0	DIS DITH CHD	0	DIS DITH CHD	0	0	0	
Register 239h	0	0	0	0	SP1 CHD	0	0	0	
Register 308h	HIGH IF MODE <5:4>		0	0	0	0	0	0	
Register 31Dh	HIGH IF MODE4	0	0	0	0	0	HIGH IF MODE4	0	
Register 41Dh	0	0	0	0	0	0	HIGH IF MODE2	0	
Register 422h	0	0	0	0	0	0	DIS CHOP CHB	0	
Register 434h	0	0	DIS DITH CHB	0	DIS DITH CHB	0	0	0	

Register Maps (continued)
表 6. Register Map Summary (continued)

REGISTER ADDRESS, A[13:0] (Hex)	REGISTER DATA							
	7	6	5	4	3	2	1	0
Register 439h	0	0	0	0	SP1 CHB	0	0	0
Register 51Dh	0	0	0	0	0	0	HIGH IF MODE3	0
Register 522h	0	0	0	0	0	0	DIS CHOP CHC	0
Register 534h	0	0	DIS DITH CHC	0	DIS DITH CHC	0	0	0
Register 539h	0	0	0	0	SP1 CHC	0	0	0
Register 608h	HIGH IF MODE <7:6>		0	0	0	0	0	0
Register 61Dh	HIGH IF MODE5	0	0	0	0	0	HIGH IF MODE5	0
Register 70Ah	0	0	0	0	0	0	0	PDN SYSREF
Register 71Ah	0	0	0	0	DC FORCE[2:0]			0

8.6.1 Serial Register Description

8.6.1.1 Register 01h (address = 01h)

图 51. Register 01h

7	6	5	4	3	2	1	0
DIS DITH CHA		DIS DITH CHB		DIS DITH CHC		DIS DITH CHD	
R/W-0h		R/W-0h		R/W-0h		R/W-0h	

LEGEND: R/W = Read/Write; -n = value after reset

表 7. Register 01h Field Descriptions

Bit	Field	Type	Reset	Description
7-6	DIS DITH CHA	R/W	0h	These bits enable or disable the on-chip dither. Control this bit along with bits 5 and 3 of register 134h. 00 = Default 11 = Dither is disabled for channel A. In this mode, SNR typically improves by 0.2 dB at 70 MHz.
5-4	DIS DITH CHB	R/W	0h	These bits enable or disable the on-chip dither. Control this bit along with bits 5 and 3 of register 434h. 00 = Default 11 = Dither is disabled for channel B. In this mode, SNR typically improves by 0.2 dB at 70 MHz.
3-2	DIS DITH CHC	R/W	0h	These bits enable or disable the on-chip dither. Control this bit along with bits 5 and 3 of register 534h. 00 = Default 11 = Dither is disabled for channel B. In this mode, SNR typically improves by 0.2 dB at 70 MHz.
1-0	DIS DITH CHD	R/W	0h	These bits enable or disable the on-chip dither. Control this bit along with bits 5 and 3 of register 234h. 00 = Default 11 = Dither is disabled for channel B. In this mode, SNR typically improves by 0.2 dB at 70 MHz.

8.6.1.2 Register 02h (address = 02h)

图 52. Register 02h

7	6	5	4	3	2	1	0
STATS CH SEL[1:0]		0	0	0	0	0	0
R/W-0h		W-0h	W-0h	W-0h	W-0h	W-0h	R/W-0h

LEGEND: R/W = Read/Write; W = Write only; -n = value after reset

表 8. Register 02h Field Descriptions

Bit	Field	Type	Reset	Description
7-6	STATS CH SEL[1:0]	R/W	0h	These bits select desired channel for statistical data computation 00 = Channel A, 01 = Channel B, 10 = Channel C, 11 = Channel D
5-0	0	W	0h	Must write 0.

8.6.1.3 Register 03h (address = 03h)
☒ 53. Register 03h

7	6	5	4	3	2	1	0
0	0	0	0	0	0	0	ODD EVEN
W-0h	W-0h	W-0h	W-0h	W-0h	W-0h	W-0h	R/W-0h

LEGEND: R/W = Read/Write; W = Write only; -n = value after reset

表 9. Register 03h Field Descriptions

Bit	Field	Type	Reset	Description
7-6	0	W	0h	Must write 0.
0	ODD EVEN	R/W	0h	This bit selects the bit sequence on the output wires (in 2-wire mode only). 0 = Bits 0, 1, 2, and so forth appear on wire-0; bits 7, 8, 9, and so forth appear on wire-1. 1 = Bits 0, 2, 4, and so forth appear on wire-0; bits 1, 3, 5, and so forth appear on wire-1.

8.6.1.4 Register 04h (address = 04h)
图 54. Register 04h

7	6	5	4	3	2	1	0
0	0	0	0	0	0	0	FLIP WIRE
W-0h	W-0h	W-0h	W-0h	W-0h	W-0h	W-0h	R/W-0h

LEGEND: R/W = Read/Write; W = Write only; -n = value after reset

表 10. Register 04h Field Descriptions

Bit	Field	Type	Reset	Description
7-1	0	W	0h	Must write 0.
0	FLIP WIRE	R/W	0h	This bit flips the data on the output wires. Valid only in two wire configuration. 0 = Default 1 = Data on output wires is flipped. Pin D0x becomes D1x, and vice versa.

8.6.1.5 Register 05h (address = 05h)
图 55. Register 05h

7	6	5	4	3	2	1	0
0	0	0	0	0	0	0	1W-2W
W-0h	W-0h	W-0h	W-0h	W-0h	W-0h	W-0h	R/W-0h

LEGEND: R/W = Read/Write; W = Write only; -n = value after reset

表 11. Register 05h Field Descriptions

Bit	Field	Type	Reset	Description
7-1	0	W	0h	Must write 0.
0	1W-2W	R/W	0h	This bit transmits output data on either one or two wires. 0 = Output data are transmitted on two wires (Dx0P, Dx0M and Dx1P, Dx1M) 1 = Output data are transmitted on one wire (Dx0P, Dx0M).

8.6.1.6 Register 06h (address = 06h)
图 56. Register 06h

7	6	5	4	3	2	1	0
0	0	0	0	0	0	TEST PATTERN EN	RESET
W-0h	W-0h	W-0h	W-0h	W-0h	W-0h	R/W-0h	R/W-0h

LEGEND: R/W = Read/Write; W = Write only; -n = value after reset

表 12. Register 06h Field Descriptions

Bit	Field	Type	Reset	Description
7-2	0	W	0h	Must write 0.
1	TEST PATTERN EN	R/W	0h	This bit enables test pattern selection for the digital outputs. 0 = Normal output 1 = Test pattern output enabled
0	RESET	R/W	0h	This bit applies a software reset. This bit resets all internal registers to the default values and self-clears to 0.

8.6.1.7 Register 07h (address = 07h)
图 57. Register 07h

7	6	5	4	3	2	1	0
0	0	0	0	0	0	0	OVR ON LSB
W-0h	W-0h	W-0h	W-0h	W-0h	W-0h	W-0h	R/W-0h

LEGEND: R/W = Read/Write; W = Write only; -n = value after reset

表 13. Register 07h Field Descriptions

Bit	Field	Type	Reset	Description
7-1	0	W	0h	Must write 0.
0	OVR ON LSB	R/W	0h	This bit provides OVR information on the LSB bits. 0 = Output data bit 0 functions as the LSB of the 12-bit data 1 = Output data bit 0 carries the overrange (OVR) information

8.6.1.8 Register 09h (address = 09h)
图 58. Register 09h

7	6	5	4	3	2	1	0
0	0	0	0	0	0	ALIGN TEST PATTERN	DATA FORMAT
W-0h	W-0h	W-0h	W-0h	W-0h	W-0h	R/W-0h	R/W-0h

LEGEND: R/W = Read/Write; W = Write only; -n = value after reset

表 14. Register 09h Field Descriptions

Bit	Field	Type	Reset	Description
7-2	0	W	0h	Must write 0.
1	ALIGN TEST PATTERN	R/W	0h	This bit aligns the test patterns across the outputs of both channels. 0 = Test patterns of both channels are free running 1 = Test patterns of both channels are aligned
0	DATA FORMAT	R/W	0h	This bit selects th digital output data format. 0 = Twos complement 1 = Offset binary

8.6.1.9 Register 0Ah (address = 0Ah)
☒ 59. Register 0Ah

7	6	5	4	3	2	1	0
CHA TEST PATTERN				CHB TEST PATTERN			
R/W-0h				R/W-0h			

LEGEND: R/W = Read/Write; -n = value after reset

表 15. Register 0Ah Field Descriptions

Bit	Field	Type	Reset	Description
7-4	CHA TEST PATTERN	R/W	0h	<p>These bits control the test pattern for channel A after the TEST PATTERN EN bit is set.</p> <p>0000 = Normal operation 0001 = All 0's 0010 = All 1's 0011 = Toggle pattern: data alternate between 101010101010 and 010101010101 0100 = Digital ramp: data increment by 1 LSB every clock cycle from code 0 to 4095 0101 = Custom pattern: output data are the same as programmed by the CUSTOM PATTERN register bits 0110 = Deskew pattern: data are AAAh 1000 = PRBS pattern: data are a sequence of pseudo random numbers 1001 = 8-point sine-wave: data are a repetitive sequence of the following eight numbers that form a sine-wave: 0, 599, 2048, 3496, 4095, 3496, 2048, and 599 Others = Do not use</p>
3-0	CHB TEST PATTERN	R/W	0h	<p>These bits control the test pattern for channel B after the TEST PATTERN EN bit is set.</p> <p>0000 = Normal operation 0001 = All 0's 0010 = All 1's 0011 = Toggle pattern: data alternate between 101010101010 and 010101010101 0100 = Digital ramp: data increment by 1 LSB every clock cycle from code 0 to 4095 0101 = Custom pattern: output data are the same as programmed by the CUSTOM PATTERN register bits 0110 = Deskew pattern: data are AAAh 1000 = PRBS pattern: data are a sequence of pseudo random numbers 1001 = 8-point sine-wave: data are a repetitive sequence of the following eight numbers that form a sine-wave: 0, 599, 2048, 3496, 4095, 3496, 2048, and 599 Others = Do not use</p>

8.6.1.10 Register 0Bh (address = 0Bh)

图 60. Register 0Bh

7	6	5	4	3	2	1	0
CHC TEST PATTERN				CHD TEST PATTERN			
R/W-0h				R/W-0h			

LEGEND: R/W = Read/Write; -n = value after reset

表 16. Register 0Bh Field Descriptions

Bit	Field	Type	Reset	Description
7-4	CHC TEST PATTERN	R/W	0h	These bits control the test pattern for channel C after the TEST PATTERN EN bit is set. 0000 = Normal operation 0001 = All 0's 0010 = All 1's 0011 = Toggle pattern: data alternate between 101010101010 and 010101010101. 0100 = Digital ramp: data increment by 1 LSB every clock cycle from code 0 to 4095. 0110 = Custom pattern: output data are the same as programmed by the CUSTOM PATTERN register bits. 1000 = Deskew pattern: data are AAAh. 1010 = PRBS pattern: data are a sequence of pseudo random numbers. 1011 = 8-point sine wave: data are a repetitive sequence of the following eight numbers that form a sine-wave: 0, 599, 2048, 3496, 4095, 3496, 2048, 599. Others = Do not use
3-0	CHD TEST PATTERN	R/W	0h	These bits control the test pattern for channel D after the TEST PATTERN EN bit is set. 0000 = Normal operation 0001 = All 0's 0010 = All 1's 0011 = Toggle pattern: data alternate between 101010101010 and 010101010101. 0100 = Digital ramp: data increment by 1 LSB every clock cycle from code 0 to 4095. 0110 = Custom pattern: output data are the same as programmed by the CUSTOM PATTERN register bits. 1000 = Deskew pattern: data are AAAh. 1010 = PRBS pattern: data are a sequence of pseudo random numbers. 1011 = 8-point sine wave: data are a repetitive sequence of the following eight numbers that form a sine-wave: 0, 599, 2048, 3496, 4095, 3496, 2048, 599. Others = Do not use

8.6.1.11 Register 0Eh (address = 0Eh)

图 61. Register 0Eh

7	6	5	4	3	2	1	0
CUSTOM PATTERN[11:4]							
R/W-0h							

LEGEND: R/W = Read/Write; -n = value after reset

表 17. Register 0Eh Field Descriptions

Bit	Field	Type	Reset	Description
7-0	CUSTOM PATTERN[11:4]	R/W	0h	These bits set the 12-bit custom pattern (bits 11-4) for all channels.

8.6.1.12 Register 0Fh (address = 0Fh)
图 62. Register 0Fh

7	6	5	4	3	2	1	0
CUSTOM PATTERN[3:0]				0	0	0	0
R/W-0h				W-0h	W-0h	W-0h	W-0h

LEGEND: R/W = Read/Write; W = Write only; -n = value after reset

表 18. Register 0Fh Field Descriptions

Bit	Field	Type	Reset	Description
7-4	CUSTOM PATTERN[3:0]	R/W	0h	These bits set the 12-bit custom pattern (bits 3-0) for all channels.
3-0	0	W	0h	Must write 0.

8.6.1.13 Register 10h (address = 10h)
图 63. Register 10h

7	6	5	4	3	2	1	0
REF STATUS CHB OR TEMPDATA [2]	REF STATUS CHD OR TEMPDATA [1]	REF STATUS CHA OR TEMPDATA [0]	CLK STATUS	TEMPDATA [6:4]			REF STATUS CHC OR TEMPDATA [3]
Read Only	Read Only	Read Only	Read Only	Read Only			Read Only

LEGEND: R/W = Read/Write; W = Write only; -n = value after reset

表 19. Register 10h Field Descriptions

Bit	Field	Type	Reset	Description
7-5, 0	REF STATUS CHB, REF STATUS CHD, REF STATUS CHA, REF STATUS CHC	Read Only	0h	When internal reference diagnostic is enabled by setting EN REF STATUS CHECK bit to '1', these bits carry status of internal reference for corresponding channel. See Internal Reference and Clock Status Check for details. Note that these bits are multiplexed with temperature sensor's data and carry TEMPDATA[3:0] if temperature sensor's is enabled.
4	CLK STATUS	Read Only	0h	This bit indicates presence of input clock. By default, device sets this bit 0. If input clock is absent, this bit becomes '1'
7-5, 3-1, 0	TEMPDATA [6:0]	Read Only	0h	When temperature sensor's data is being read, these bits carry seven MSBs of temperature sensor's 9-bit data. Remaining two LSBs are available on address 11h bit 5:4. See Temperature Sensor for details of operation.

8.6.1.14 Register 11h (address = 11h)
图 64. Register 11h

7	6	5	4	3	2	1	0
0	0	TEMPDATA [8:7]		0	0	0	0
W-0h	W-0h	Read Only		W-0h	W-0h	W-0h	W-0h

LEGEND: R/W = Read/Write; W = Write only; -n = value after reset

表 20. Register 11h Field Descriptions

Bit	Field	Type	Reset	Description
7-6	0	W	0h	Must write 0.
5-4	TEMPDATA [8:7]	Read Only	0h	These bits represent digital equivalent of temperature in 2s complement format.
3-0	0	W	0h	Must write 0.

8.6.1.15 Register 13h (address = 13h)

图 65. Register 13h

7	6	5	4	3	2	1	0
0	EN REF STATUS CHECK	EN DC FORCE	EN STATS	0	0	LOW SPEED ENABLE	
W-0h	R/W-0h	R/W-0h	R/W-0h	W-0h	W-0h	R/W-0h	

LEGEND: R/W = Read/Write; W = Write only; -n = value after reset

表 21. Register 13h Field Descriptions

Bit	Field	Type	Reset	Description
7	0	W	0h	Must write 0.
6	EN REF STATUS CHECK	R/W	0h	This Bit Enables reference diagnostic check. Must be set to '1' before reading reference status from REF STATUS CHECK CHx bits.
5	EN DC FORCE	R/W	0h	This Bit Enables internal DC voltage force diagnostic check together for all channels. Must be set to '1' before forcing internal DC voltage through DC FORCE[2:0] bits.
4	EN STATS	R/W	0h	This bit enables inter Statistics Module for mean and variance computation. After this bit is set to '1', statistical module for desired channel can be selected by using bits STATS CH SEL[1:0]
3-2	0	W	0h	Must write 0.
1-0	LOW SPEED ENABLE	R/W	0h	Enables low speed operation in 1-wire and 2-wire mode. Depending upon sampling frequency, write this bit as per 表 22

表 22. LOW SPEED ENABLE Register Settings across f_s

f_s , MSPS		REGISTER BIT LOW SPEED ENABLE	
MIN	MAX	1- Wire Mode	2-Wire Mode
20	25	10	11
15	20	10	Not supported

8.6.1.16 Register 14h (address = 14h)

图 66. Register 14h

7	6	5	4	3	2	1	0
0	EN TEMP SENS CONV	EN TEMP SENSE	0	0	EN TEMP DATA READOUT	0	0
W-0h	R/W-0h	R/W-0h	W-0h	W-0h	R/W-0h	W-0h	W-0h

LEGEND: R/W = Read/Write; W = Write only; -n = value after reset

表 23. Register 14h Field Descriptions

Bit	Field	Type	Reset	Description
7	0	W	0h	Must write 0.
6	EN TEMP SENS CONV	R/W	0h	This bit enables the temperature-to-digital conversion process of temperature sensor. This bit can be set to '1' after temperature sensor is enabled by setting EN TEMP SENSE bit to '1'.
5	EN TEMP SENSE	R/W	0h	This bit enables temperature sensor present inside device
4-3	0	W	0h	Must write 0.
2	EN TEMP DATA READOUT	R/W	0h	This bit places the 9-bit digital equivalent of temperature on register bits TEMPDATA[8:0].
1-0	0	W	0h	Must write 0.

8.6.1.17 Register 15h (address = 15h)
图 67. Register 15h

7	6	5	4	3	2	1	0
CHA PDN	CHB PDN	CHC PDN	CHD PDN	STANDBY	GLOBAL PDN	0	CONFIG PDN PIN
W-0h	R/W-0h	R/W-0h	W-0h	R/W-0h	R/W-0h	W-0h	R/W-0h

LEGEND: R/W = Read/Write; W = Write only; -n = value after reset

表 24. Register 15h Field Descriptions

Bit	Field	Type	Reset	Description
7	CHA PDN	W	0h	0 = Normal operation 1 = Power-down channel A
6	CHB PDN	R/W	0h	0 = Normal operation 1 = Power-down channel B
5	CHC PDN	R/W	0h	0 = Normal operation 1 = Power-down channel C
4	CHD PDN	W	0h	0 = Normal operation 1 = Power-down channel D
3	STANDBY	R/W	0h	The ADCs of both channels enter standby. 0 = Normal operation 1 = Standby
2	GLOBAL PDN	R/W	0h	0 = Normal operation 1 = Global power-down
1	0	W	0h	Must write 0.
0	CONFIG PDN PIN	R/W	0h	This bit configures the PDN pin as either a global power-down or standby pin. 0 = Logic high voltage on the PDN pin sends the device into global power-down 1 = Logic high voltage on the PDN pin sends the device into standby

8.6.1.18 Register 16h (address = 16h)
图 68. Register 16h

7	6	5	4	3	2	1	0
MEAN[5:0]						0	0
Read Only						W-0h	W-0h

LEGEND: R/W = Read/Write; W = Write only; -n = value after reset

表 25. Register 16h Field Descriptions

Bit	Field	Type	Reset	Description
7-2	MEAN[5:0]	Read Only	0h	These bits represent mean value in 2s complement format computed over programmed number of samples by statistical module.
1-0	0	W	0h	Must write 0.

8.6.1.19 Register 17h (address = 17h)
图 69. Register 17h

7	6	5	4	3	2	1	0
0	0	MEAN[11:6]					
W-0h	W-0h	Read Only					

LEGEND: R/W = Read/Write; W = Write only; -n = value after reset

表 26. Register 17h Field Descriptions

Bit	Field	Type	Reset	Description
7-6	0	W	0h	Must write 0.
5-0	MEAN[11:6]	Read Only	0h	These bits represent mean value in 2s complement format computed over programmed number of samples by statistical module.

8.6.1.20 Register 18h (address = 18h)
图 70. Register 18h

7	6	5	4	3	2	1	0
VAR[5:0]						0	0
Read Only						W-0h	W-0h

LEGEND: R/W = Read/Write; W = Write only; -n = value after reset

表 27. Register 18h Field Descriptions

Bit	Field	Type	Reset	Description
7-2	VAR[5:0]	Read Only	0h	These bits represent variance value in 2s complement format computed over programmed number of samples by statistical module
1-0	0	W	0h	Must write 0.

8.6.1.21 Register 19h (address = 19h)
图 71. Register 19h

7	6	5	4	3	2	1	0
0	0	VAR[11:6]					
W-0h	W-0h	Read Only					

LEGEND: R/W = Read/Write; W = Write only; -n = value after reset

表 28. Register 19h Field Descriptions

Bit	Field	Type	Reset	Description
7-6	0	W	0h	Must write 0.
5-0	VAR[11:6]	Read Only	0h	These bits represent variance value in 2s complement format computed over programmed number of samples by statistical module

8.6.1.22 Register 25h (address = 25h)
图 72. Register 25h

7	6	5	4	3	2	1	0
LVDS SWING							
R/W-0h							

LEGEND: R/W = Read/Write; -n = value after reset

表 29. Register 25h Field Descriptions

Bit	Field	Type	Reset	Description
7-0	LVDS SWING	R/W	0h	These bits control the swing of the LVDS outputs (including the data output, bit clock, and frame clock).

8.6.1.23 Register 27h (address = 27h)
图 73. Register 27h

7	6	5	4	3	2	1	0
CLK DIV		0	0	0	0	0	0
R/W-0h		W-0h	W-0h	W-0h	W-0h	W-0h	W-0h

LEGEND: R/W = Read/Write; W = Write only; -n = value after reset

表 30. Register 27h Field Descriptions

Bit	Field	Type	Reset	Description
7-6	CLK DIV	R/W	0h	These bits select the internal clock divider for the input sampling clock. 00 = Divide-by-1 01 = Divide-by-1 10 = Divide-by-2 11 = Divide-by-4
5-0	0	W	0h	Must write 0.

8.6.1.24 Register 4Bh (address = 4Bh)
图 74. Register 4Bh

7	6	5	4	3	2	1	0
0	0	0	0	0	0	SAMPLES FOR STATS[1:0]	
W-0h	W-0h	W-0h	W-0h	W-0h	W-0h	W-0h	R/W-0h

LEGEND: R/W = Read/Write; W = Write only; -n = value after reset

表 31. Register 4Bh Field Descriptions

Bit	Field	Type	Reset	Description
7-2	0	W	0h	Must write 0.
1-0	SAMPLES FOR STATS[1:0]	R/W	0h	These bits program number of samples to be used by statistical module for computation of mean and variance. 00=256, 01=1024, 10=4096, 11=16384

8.6.1.25 Register 11Dh (address = 11Dh)
图 75. Register 11Dh

7	6	5	4	3	2	1	0
0	0	0	0	0	0	HIGH IF MODE0	0
W-0h	W-0h	W-0h	W-0h	W-0h	W-0h	R/W-0h	W-0h

LEGEND: R/W = Read/Write; W = Write only; -n = value after reset

表 32. Register 11Dh Field Descriptions

Bit	Field	Type	Reset	Description
7-2	0	W	0h	Must write 0.
1	HIGH IF MODE0			Set all register bits belonging to HIGH IF MODE as logic HIGH to improve HD3 by a couple of dB for IF > 100 MHz.
0	0	W	0h	Must write 0.

8.6.1.26 Register 122h (address = 122h)
☒ 76. Register 122h

7	6	5	4	3	2	1	0
0	0	0	0	0	0	DIS CHOP CHA	0
W-0h	W-0h	W-0h	W-0h	W-0h	W-0h	R/W-0h	W-0h

LEGEND: R/W = Read/Write; W = Write only; -n = value after reset

表 33. Register 122h Field Descriptions

Bit	Field	Type	Reset	Description
7-2	0	W	0h	Must write 0.
1	DIS CHOP CHA	R/W	0h	This bit disables the chopper. Set this bit to shift the 1/f noise floor at dc. 0 = 1/f noise floor is centered at $f_s / 2$ (default) 1 = Chopper mechanism is disabled; 1/f noise floor is centered at dc
0	0	W	0h	Must write 0.

8.6.1.27 Register 134h (address = 134h)
☒ 77. Register 134h

7	6	5	4	3	2	1	0
0	0	DIS DITH CHA	0	DIS DITH CHA	0	0	0
W-0h	W-0h	R/W-0h	W-0h	R/W-0h	W-0h	W-0h	W-0h

LEGEND: R/W = Read/Write; W = Write only; -n = value after reset

表 34. Register 134h Field Descriptions

Bit	Field	Type	Reset	Description
7-6	0	W	0h	Must write 0.
5	DIS DITH CHA	R/W	0h	Set this bit along with bits 7 and 6 of register 01h. 00 = Default 11 = Dither is disabled for channel A. In this mode, SNR typically improves by 0.2 dB at 70 MHz.
4	0	W	0h	Must write 0.
3	DIS DITH CHA	R/W	0h	Set this bit along with bits 7 and 6 of register 01h. 00 = Default 11 = Dither is disabled for channel A. In this mode, SNR typically improves by 0.2 dB at 70 MHz.
2-0	0	W	0h	Must write 0.

8.6.1.28 Register 139h (address = 139h)
☒ 78. Register 139h

7	6	5	4	3	2	1	0
0	0	0	0	SP1 CHA	0	0	0
W-0h	W-0h	W-0h	W-0h	R/W-0h	W-0h	W-0h	W-0h

LEGEND: R/W = Read/Write; W = Write only; -n = value after reset

表 35. Register 139h Field Descriptions

Bit	Field	Type	Reset	Description
7-4	0	W	0h	Must write 0.
3	SP1 CHA	R/W	0h	This bit sets the special mode for best performance on channel A. Always write 1 after reset.
2-0	0	W	0h	Must write 0.

8.6.1.29 Register 21Dh (address = 21Dh)
☒ 79. Register 21Dh

7	6	5	4	3	2	1	0
0	0	0	0	0	0	HIGH IF MODE1	0
W-0h	W-0h	W-0h	W-0h	W-0h	W-0h	R/W-0h	W-0h

LEGEND: R/W = Read/Write; W = Write only; -n = value after reset

表 36. Register 21Dh Field Descriptions

Bit	Field	Type	Reset	Description
7-2	0	W	0h	Must write 0.
1	HIGH IF MODE1	R/W	0h	Set all register bits belonging to HIGH IF MODE as logic HIGH to improve HD3 by a couple of dB for IF > 100 MHz.
0	0	W	0h	Must write 0.

8.6.1.30 Register 222h (address = 222h)
图 80. Register 222h

7	6	5	4	3	2	1	0
0	0	0	0	0	0	DIS CHOP CHD	0
W-0h	W-0h	W-0h	W-0h	W-0h	W-0h	R/W-0h	W-0h

LEGEND: R/W = Read/Write; W = Write only; -n = value after reset

表 37. Register 222h Field Descriptions

Bit	Field	Type	Reset	Description
7-2	0	W	0h	Must write 0.
1	DIS CHOP CHD	R/W	0h	This bit disables the chopper. Set this bit to shift the 1/f noise floor at dc. 0 = 1/f noise floor is centered at $f_s / 2$ (default) 1 = Chopper mechanism is disabled; 1/f noise floor is centered at dc
0	0	W	0h	Must write 0.

8.6.1.31 Register 234h (address = 234h)
图 81. Register 234h

7	6	5	4	3	2	1	0
0	0	DIS DITH CHD	0	DIS DITH CHD	0	0	0
W-0h	W-0h	R/W-0h	W-0h	R/W-0h	W-0h	W-0h	W-0h

LEGEND: R/W = Read/Write; W = Write only; -n = value after reset

表 38. Register 234h Field Descriptions

Bit	Field	Type	Reset	Description
7-6	0	W	0h	Must write 0.
5	DIS DITH CHD	R/W	0h	Set this bit with bits 1 and 0 of register 01h. 00 = Default 11 = Dither is disabled for channel D. In this mode, SNR typically improves by 0.2 dB at 70 MHz.
4	0	W	0h	Must write 0.
3	DIS DITH CHD	R/W	0h	Set this bit with bits 1 and 0 of register 01h. 00 = Default 11 = Dither is disabled for channel D. In this mode, SNR typically improves by 0.2 dB at 70 MHz.
2-0	0	W	0h	Must write 0.

8.6.1.32 Register 239h (address = 239h)
图 82. Register 239h

7	6	5	4	3	2	1	0
0	0	0	0	SP1 CHD	0	0	0
W-0h	W-0h	W-0h	W-0h	R/W-0h	W-0h	W-0h	W-0h

LEGEND: R/W = Read/Write; W = Write only; -n = value after reset

表 39. Register 239h Field Descriptions

Bit	Field	Type	Reset	Description
7-4	0	W	0h	Must write 0.
3	SP1 CHD	R/W	0h	This bit sets the special mode for best performance on channel D. Always write 1 after reset.
2-0	0	W	0h	Must write 0.

8.6.1.33 Register 308h (address = 308h)
图 83. Register 308h

7	6	5	4	3	2	1	0
HIGH IF MODE<5:4>	0	0	0	0	0	0	0
W-0h	W-0h	W-0h	W-0h	W-0h	W-0h	R/W-0h	W-0h

LEGEND: R/W = Read/Write; W = Write only; -n = value after reset

表 40. Register 308h Field Descriptions

Bit	Field	Type	Reset	Description
7-6	HIGH IF MODE<5:4>	R/W	0h	Set all register bits belonging to HIGH IF MODE as logic HIGH to improve HD3 by a couple of dB for IF > 100 MHz.
5-0	0	W	0h	Must write 0.

8.6.1.34 Register 31Dh (address = 31Dh)
图 84. Register 31Dh

7	6	5	4	3	2	1	0
HIGH IF MODE4	0	0	0	0	0	HIGH IF MODE4	0
R/W-0h	W-0h	W-0h	W-0h	W-0h	W-0h	R/W-0h	W-0h

LEGEND: R/W = Read/Write; W = Write only; -n = value after reset

表 41. Register 31Dh Field Descriptions

Bit	Field	Type	Reset	Description
7	HIGH IF MODE4	R/W	0h	Set all register bits belonging to HIGH IF MODE as logic HIGH to improve HD3 by a couple of dB for IF > 100 MHz.
6-2	0	W	0h	Must write 0.
1	HIGH IF MODE4	R/W	0h	Set all register bits belonging to HIGH IF MODE as logic HIGH to improve HD3 by a couple of dB for IF > 100 MHz.
0	0	W	0h	Must write 0.

8.6.1.35 Register 41Dh (address = 41Dh)

☒ 85. Register 41Dh

7	6	5	4	3	2	1	0
0	0	0	0	0	0	HIGH IF MODE2	0
W-0h	W-0h	W-0h	W-0h	W-0h	W-0h	R/W-0h	W-0h

LEGEND: R/W = Read/Write; W = Write only; -n = value after reset

表 42. Register 41Dh Field Descriptions

Bit	Field	Type	Reset	Description
7-2	0	W	0h	Must write 0.
1	HIGH IF MODE2	R/W	0h	Set all register bits belonging to HIGH IF MODE as logic HIGH to improve HD3 by a couple of dB for IF > 100 MHz.
0	0	W	0h	Must write 0.

8.6.1.36 Register 422h (address = 422h)
图 86. Register 422h

7	6	5	4	3	2	1	0
0	0	0	0	0	0	DIS CHOP CHB	0
W-0h	W-0h	W-0h	W-0h	W-0h	W-0h	R/W-0h	W-0h

LEGEND: R/W = Read/Write; W = Write only; -n = value after reset

表 43. Register 422h Field Descriptions

Bit	Field	Type	Reset	Description
7-2	0	W	0h	Must write 0.
1	DIS CHOP CHB	R/W	0h	This bit disables the chopper. Set this bit to shift the 1/f noise floor at dc. 0 = 1/f noise floor is centered at $f_s / 2$ (default) 1 = Chopper mechanism is disabled; 1/f noise floor is centered at dc
0	0	W	0h	Must write 0.

8.6.1.37 Register 434h (address = 434h)
图 87. Register 434h

7	6	5	4	3	2	1	0
0	0	DIS DITH CHB	0	DIS DITH CHB	0	0	0
W-0h	W-0h	R/W-0h	W-0h	R/W-0h	W-0h	W-0h	W-0h

LEGEND: R/W = Read/Write; W = Write only; -n = value after reset

表 44. Register 434h Field Descriptions

Bit	Field	Type	Reset	Description
7-6	0	W	0h	Must write 0.
5	DIS DITH CHB	R/W	0h	Set this bit with bits 5 and 4 of register 01h. 00 = Default 11 = Dither is disabled for channel B. In this mode, SNR typically improves by 0.2 dB at 70 MHz.
4	0	W	0h	Must write 0.
3	DIS DITH CHB	R/W	0h	Set this bit with bits 5 and 4 of register 01h. 00 = Default 11 = Dither is disabled for channel B. In this mode, SNR typically improves by 0.2 dB at 70 MHz.
2-0	0	W	0h	Must write 0.

8.6.1.38 Register 439h (address = 439h)

图 88. Register 439h

7	6	5	4	3	2	1	0
0	0	0	0	SP1 CHB	0	0	0
W-0h	W-0h	W-0h	W-0h	R/W-0h	W-0h	W-0h	W-0h

LEGEND: R/W = Read/Write; W = Write only; -n = value after reset

表 45. Register 439h Field Descriptions

Bit	Field	Type	Reset	Description
7-4	0	W	0h	Must write 0.
3	SP1 CHB	R/W	0h	This bit sets the special mode for best performance on channel B. Always write 1 after reset.
2-0	0	W	0h	Must write 0.

8.6.1.39 Register 51Dh (address = 51Dh)

图 89. Register 51Dh

7	6	5	4	3	2	1	0
0	0	0	0	0	0	HIGH IF MODE3	0
W-0h	W-0h	W-0h	W-0h	W-0h	W-0h	R/W-0h	W-0h

LEGEND: R/W = Read/Write; W = Write only; -n = value after reset

表 46. Register 51Dh Field Descriptions

Bit	Field	Type	Reset	Description
7-2	0	W	0h	Must write 0.
1	HIGH IF MODE3	R/W	0h	Set all register bits belonging to HIGH IF MODE as logic HIGH to improve HD3 by a couple of dB for IF > 100 MHz.
0	0	W	0h	Must write 0.

8.6.1.40 Register 522h (address = 522h)

图 90. Register 522h

7	6	5	4	3	2	1	0
0	0	0	0	0	0	DIS CHOP CHC	0
W-0h	W-0h	W-0h	W-0h	W-0h	W-0h	R/W-0h	W-0h

LEGEND: R/W = Read/Write; W = Write only; -n = value after reset

表 47. Register 522h Field Descriptions

Bit	Field	Type	Reset	Description
7-2	0	W	0h	Must write 0.
1	DIS CHOP CHC	R/W	0h	This bit disables the chopper. Set this bit to shift the 1/f noise floor at dc. 0 = 1/f noise floor is centered at $f_s / 2$ (default) 1 = Chopper mechanism is disabled; 1/f noise floor is centered at dc
0	0	W	0h	Must write 0.

8.6.1.41 Register 534h (address = 534h)
☒ 91. Register 534h

7	6	5	4	3	2	1	0
0	0	DIS DITH CHC	0	DIS DITH CHC	0	0	0
W-0h	W-0h	R/W-0h	W-0h	R/W-0h	W-0h	W-0h	W-0h

LEGEND: R/W = Read/Write; W = Write only; -n = value after reset

表 48. Register 534h Field Descriptions

Bit	Field	Type	Reset	Description
7-6	0	W	0h	Must write 0.
5	DIS DITH CHC	R/W	0h	Set this bit with bits 3 and 2 of register 01h. 00 = Default 11 = Dither is disabled for channel C. In this mode, SNR typically improves by 0.2 dB at 70 MHz.
4	0	W	0h	Must write 0.
3	DIS DITH CHC	R/W	0h	Set this bit with bits 3 and 2 of register 01h. 00 = Default 11 = Dither is disabled for channel C. In this mode, SNR typically improves by 0.2 dB at 70 MHz.
2-0	0	W	0h	Must write 0.

8.6.1.42 Register 539h (address = 539h)
☒ 92. Register 539h

7	6	5	4	3	2	1	0
0	0	0	0	SP1 CHC	0	0	0
W-0h	W-0h	W-0h	W-0h	R/W-0h	W-0h	W-0h	W-0h

LEGEND: R/W = Read/Write; W = Write only; -n = value after reset

表 49. Register 539h Field Descriptions

Bit	Field	Type	Reset	Description
7-4	0	W	0h	Must write 0.
3	SP1 CHC	R/W	0h	This bit sets the special mode for best performance on channel C. Always write 1 after reset.
2-0	0	W	0h	Must write 0.

8.6.1.43 Register 608h (address = 608h)
☒ 93. Register 608h

7	6	5	4	3	2	1	0
HIGH IF MODE<7:6>	0	0	0	0	0	0	0
W-0h	W-0h	W-0h	W-0h	W-0h	W-0h	R/W-0h	W-0h

LEGEND: R/W = Read/Write; W = Write only; -n = value after reset

表 50. Register 608h Field Descriptions

Bit	Field	Type	Reset	Description
7-6	HIGH IF MODE<7:6>	R/W	0h	Set all register bits belonging to HIGH IF MODE as logic HIGH to improve HD3 by a couple of dB for IF > 100 MHz.
5-0	0	W	0h	Must write 0.

8.6.1.44 Register 61Dh (address = 61Dh)

图 94. Register 61Dh

7	6	5	4	3	2	1	0
HIGH IF MODE5	0	0	0	0	0	HIGH IF MODE5	PDN SYSREF
R/W-0h	W-0h	W-0h	W-0h	W-0h	W-0h	R/W-0h	W-0h

LEGEND: R/W = Read/Write; W = Write only; -n = value after reset

表 51. Register 61Dh Field Descriptions

Bit	Field	Type	Reset	Description
7	HIGH IF MODE5	R/W	0h	Set all register bits belonging to HIGH IF MODE as logic HIGH to improve HD3 by a couple of dB for IF > 100 MHz.
6-2	0	W	0h	Must write 0.
1	HIGH IF MODE5	R/W	0h	Set all register bits belonging to HIGH IF MODE as logic HIGH to improve HD3 by a couple of dB for IF > 100 MHz.
0	0	W	0h	Must write 0.

8.6.1.45 Register 70Ah (address = 70Ah)

图 95. Register 70Ah

7	6	5	4	3	2	1	0
0	0	0	0	0	0	0	PDN SYSREF
W-0h	W-0h	W-0h	W-0h	W-0h	W-0h	W-0h	R/W-0h

LEGEND: R/W = Read/Write; W = Write only; -n = value after reset

表 52. Register 70Ah Field Descriptions

Bit	Field	Type	Reset	Description
7-1	0	W	0h	Must write 0.
0	PDN SYSREF	R/W	0h	If the SYSREF pins are not used in the system, the SYSREF buffer must be powered down by setting this bit. 0 = Normal operation 1 = Powers down the SYSREF buffer

8.6.1.46 Register 71Ah (address = 71Ah)

图 96. Register 71Ah

7	6	5	4	3	2	1	0
0	0	0	0	DC FORCE[2:0]			0
W-0h	W-0h	W-0h	W-0h	R/W-0h			W-0h

LEGEND: R/W = Read/Write; W = Write only; -n = value after reset

表 53. Register 71Ah Field Descriptions

Bit	Field	Type	Reset	Description
7-4	0	W	0h	Must write 0.
3-1	DC FORCE[2:0]	R/W	0h	These Bits force internal DC voltage to ADC's analog inputs together for all channels. Minimum DC voltage corresponds to output code 745 and max DC voltage to output code 3332 typically following the equation: Output Code = 368 × DC FORCE[2:0] + 745
0	0	W	0h	Must write 0.

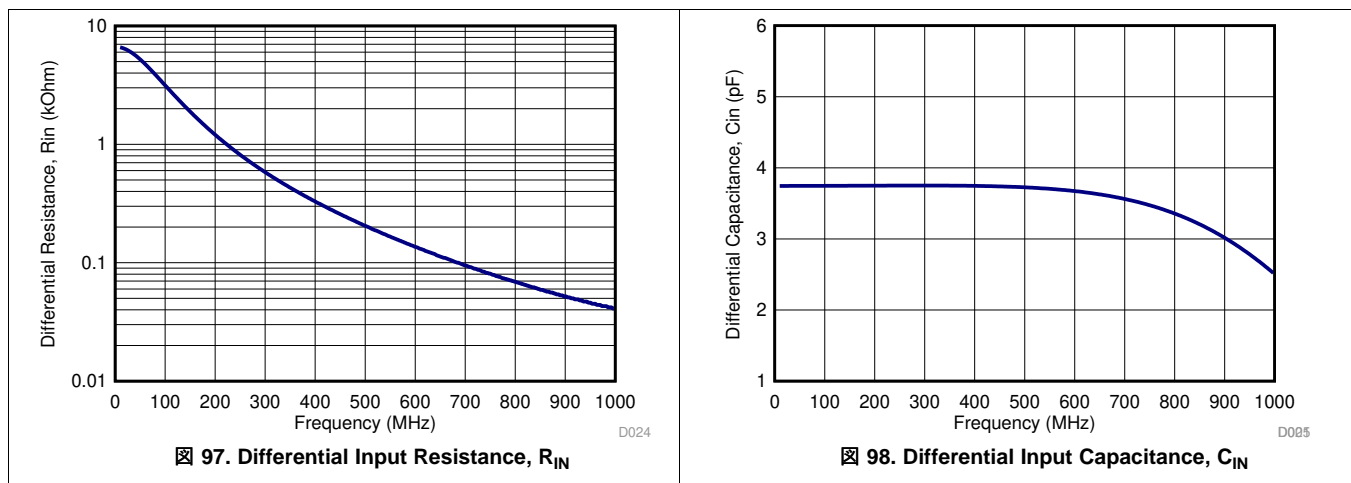
9 Applications and Implementation

注

Information in the following applications sections is not part of the TI component specification, and TI does not warrant its accuracy or completeness. TI's customers are responsible for determining suitability of components for their purposes. Customers should validate and test their design implementation to confirm system functionality.

9.1 Application Information

Typical applications involving transformer-coupled circuits are discussed in this section. Transformers (such as ADT1-1WT or WBC1-1) can be used up to 250 MHz to achieve good phase and amplitude balances at ADC inputs. When designing the dc driving circuits, the ADC input impedance must be considered. [Figure 97](#) and [Figure 98](#) show the impedance ($Z_{in} = R_{in} \parallel C_{in}$) across the ADC input pins.



9.2 Typical Applications

9.2.1 Driving Circuit Design: Low Input Frequencies

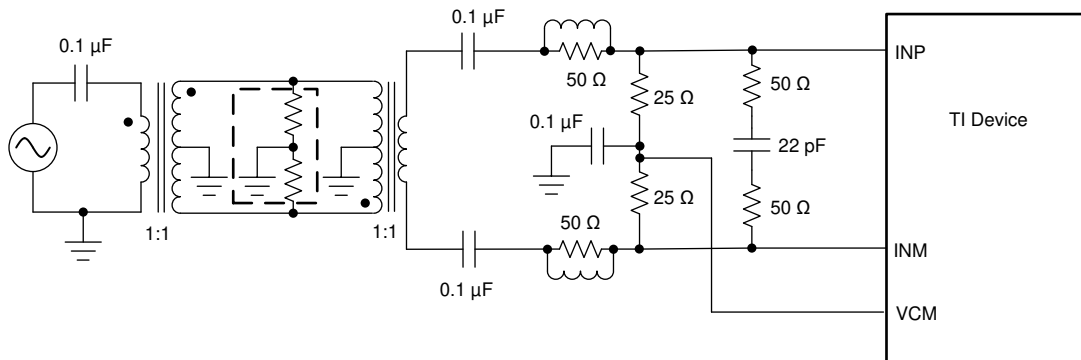


Figure 99. Driving Circuit for Low Input Frequencies

9.2.1.1 Design Requirements

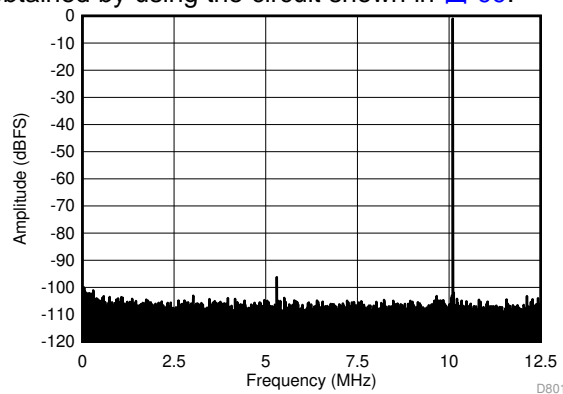
For optimum performance, the analog inputs must be driven differentially. An optional 5-Ω to 15-Ω resistor in series with each input pin can be kept to damp out ringing caused by package parasitic. The drive circuit may have to be designed to minimize the impact of kick-back noise generated by sampling switches opening and closing inside the ADC, as well as ensuring low insertion loss over the desired frequency range and matched impedance to the source.

9.2.1.2 Detailed Design Procedure

A typical application involving using two back-to-back coupled transformers is illustrated in Figure 99. The circuit is optimized for low input frequencies. An external R-C-R filter using 50-Ω resistors and a 22-pF capacitor is used with the series inductor (39 nH), this combination helps absorb the sampling glitches.

9.2.1.3 Application Curve

Figure 100 shows the performance obtained by using the circuit shown in Figure 99.



SFDR = 95 dBc, SNR = 71 dBFS, SINAD = 71 dBFS,
THD = 94 dBc, HD2 = 106 dBc, HD3 = 95 dBc

Figure 100. Performance FFT at 10 MHz (Low Input Frequency)

Typical Applications (continued)

9.2.2 Driving Circuit Design: Input Frequencies Between 100 MHz to 230 MHz

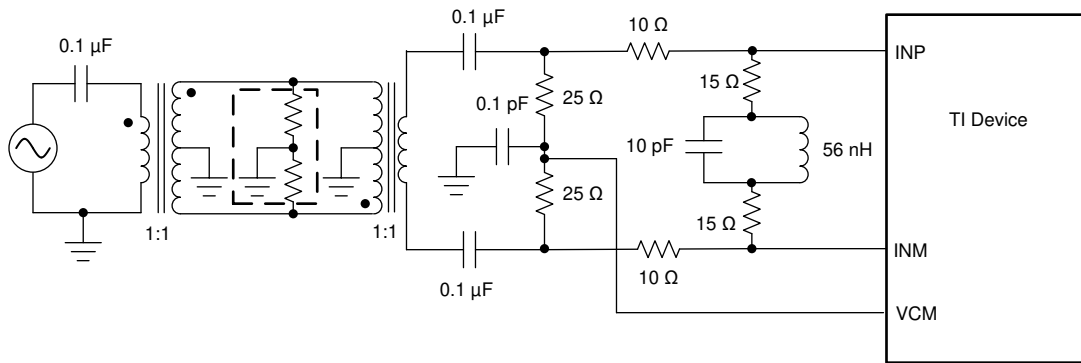


Figure 101. Driving Circuit for Mid-Range Input Frequencies ($100 \text{ MHz} < f_{\text{IN}} < 230 \text{ MHz}$)

9.2.2.1 Design Requirements

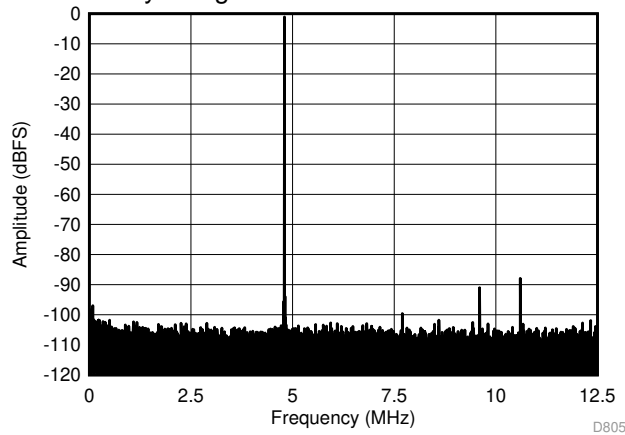
See the [Design Requirements](#) section for further details.

9.2.2.2 Detailed Design Procedure

When input frequencies are between 100 MHz to 230 MHz, an R-LC-R circuit can be used to optimize performance, as shown in [Figure 101](#).

9.2.2.3 Application Curve

[Figure 102](#) shows the performance obtained by using the circuit shown in [Figure 101](#).

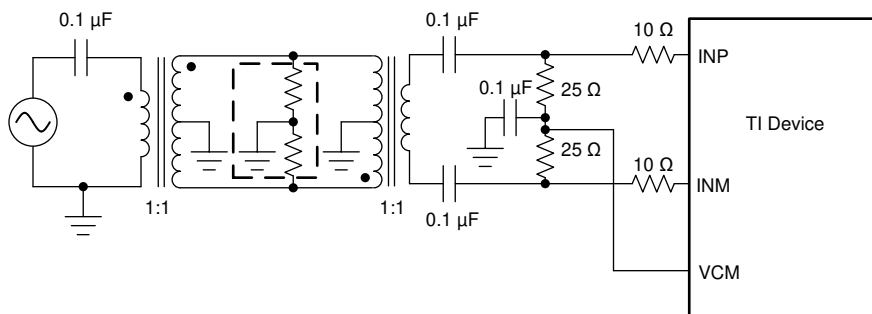


SFDR = 87 dBc, SNR = 69.8 dBFS, SINAD = 69.7 dBFS,
 THD = 85 dBc, HD2 = 90 dBc, HD3 = 87 dBc

Figure 102. Performance FFT at 170 MHz (Mid Input Frequency)

Typical Applications (continued)

9.2.3 Driving Circuit Design: Input Frequencies Greater than 230 MHz



⊠ 103. Driving Circuit for High Input Frequencies ($f_{IN} > 230$ MHz)

9.2.3.1 Design Requirements

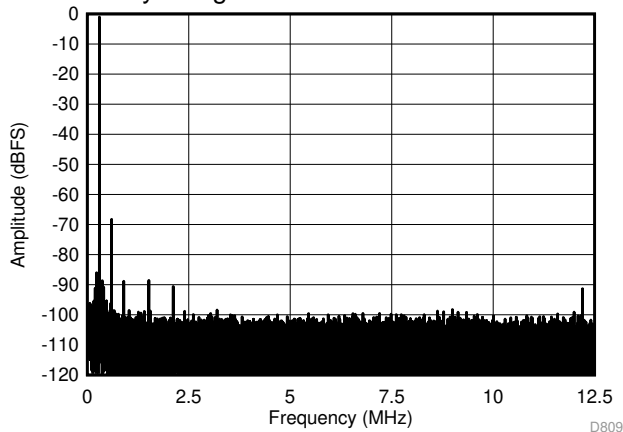
See the [Design Requirements](#) section for further details.

9.2.3.2 Detailed Design Procedure

For high input frequencies (> 230 MHz), using the R-C-R or R-LC-R circuit does not show significant improvement in performance. However, a series resistance of 10Ω can be used as shown in [⊠ 103](#).

9.2.3.3 Application Curve

[⊠ 104](#) shows the performance obtained by using the circuit shown in [⊠ 103](#).



SFDR = 67 dBc, SNR = 66.4 dBFS, SINAD = 66.4 dBFS,
THD = 93 dBc, HD2 = 67 dBc, HD3 = 88 dBc

⊠ 104. Performance FFT at 450 MHz (High Input Frequency)

10 Power Supply Recommendations

The device requires a 1.8-V nominal supply for AVDD and DVDD. There are no specific sequence power-supply requirements during device power-up. AVDD and DVDD can power up in any order.

11 Layout

11.1 Layout Guidelines

The ADC3421-Q1 EVM layout can be used as a reference layout to obtain the best performance. A layout diagram of the EVM top layer is provided in [Figure 105](#). Some important points to remember during laying out the board are:

1. Analog inputs are located on opposite sides of the device pin out to ensure minimum crosstalk on the package level. To minimize crosstalk onboard, the analog inputs must exit the pin out in opposite directions, as shown in the reference layout of [Figure 105](#) as much as possible.
2. In the device pin out, the sampling clock is located on a side perpendicular to the analog inputs in order to minimize coupling between them. This configuration is also maintained on the reference layout of [Figure 105](#) as much as possible.
3. Keep digital outputs away from the analog inputs. When these digital outputs exit the pin out, the digital output traces must not be kept parallel to the analog input traces because this configuration can result in coupling from digital outputs to analog inputs and degrade performance. All digital output traces to the receiver [such as a field-programmable gate array (FPGA) or an application-specific integrated circuit (ASIC)] must be matched in length to avoid skew among outputs.
4. At each power-supply pin (AVDD and DVDD), keep a 0.1- μ F decoupling capacitor close to the device. A separate decoupling capacitor group consisting of a parallel combination of 10- μ F, 1- μ F, and 0.1- μ F capacitors can be kept close to the supply source.

11.2 Layout Example

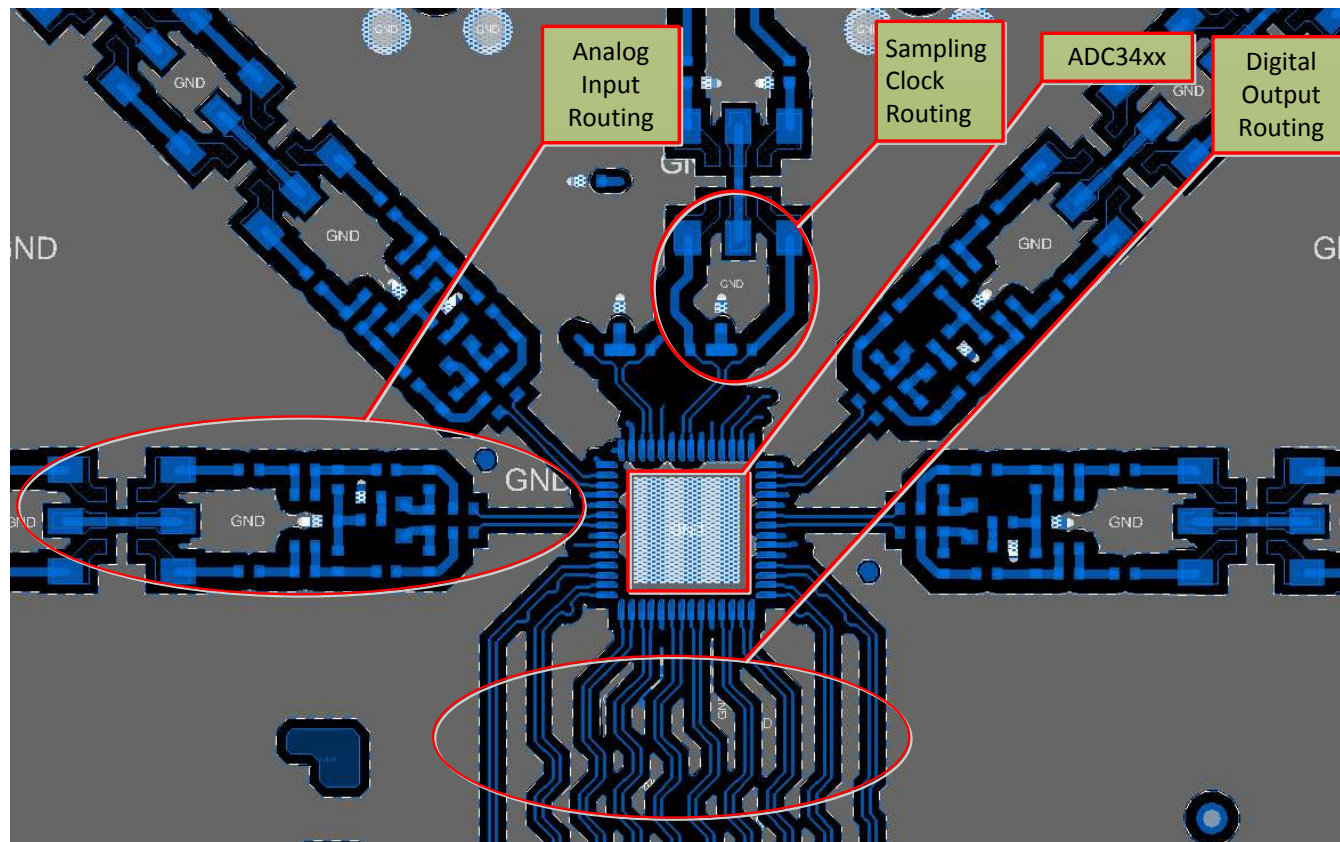


Figure 105. Typical Layout of the ADC3421-Q1 Board

12 デバイスおよびドキュメントのサポート

12.1 ドキュメントの更新通知を受け取る方法

ドキュメントの更新についての通知を受け取るには、ti.comのデバイス製品フォルダを開いてください。右上の「アラートを受け取る」をクリックして登録すると、変更されたすべての製品情報に関するダイジェストを毎週受け取れます。変更の詳細については、修正されたドキュメントに含まれている改訂履歴をご覧ください。

12.2 サポート・リソース

TI E2E™ [support forums](#) are an engineer's go-to source for fast, verified answers and design help — straight from the experts. Search existing answers or ask your own question to get the quick design help you need.

Linked content is provided "AS IS" by the respective contributors. They do not constitute TI specifications and do not necessarily reflect TI's views; see TI's [Terms of Use](#).

12.3 商標

E2E is a trademark of Texas Instruments.
All other trademarks are the property of their respective owners.

12.4 静電気放電に関する注意事項



すべての集積回路は、適切なESD保護方法を用いて、取扱いと保存を行うようにして下さい。

静電気放電はわずかな性能の低下から完全なデバイスの故障に至るまで、様々な損傷を与えます。高精度の集積回路は、損傷に対して敏感であり、極めてわずかなパラメータの変化により、デバイスに規定された仕様に適合しなくなる場合があります。

12.5 Glossary

[SLYZ022](#) — TI Glossary.

This glossary lists and explains terms, acronyms, and definitions.

13 メカニカル、パッケージ、および注文情報

以降のページには、メカニカル、パッケージ、および注文に関する情報が記載されています。この情報は、そのデバイスについて利用可能な最新のデータです。このデータは予告なく変更されることがあり、ドキュメントが改訂される場合もあります。本データシートのブラウザ版を使用されている場合は、画面左側の説明をご覧ください。

PACKAGING INFORMATION

Orderable Device	Status (1)	Package Type	Package Drawing	Pins	Package Qty	Eco Plan (2)	Lead finish/ Ball material (6)	MSL Peak Temp (3)	Op Temp (°C)	Device Marking (4/5)	Samples
AD3421QRWERQ1	ACTIVE	VQFN	RWE	56	2000	RoHS & Green	NIPDAUAG	Level-3-260C-168 HR	-40 to 125	AZ3421Q	Samples
AD3421QRWETQ1	ACTIVE	VQFN	RWE	56	250	RoHS & Green	NIPDAUAG	Level-3-260C-168 HR	-40 to 125	AZ3421Q	Samples

(1) The marketing status values are defined as follows:

ACTIVE: Product device recommended for new designs.

LIFEBUY: TI has announced that the device will be discontinued, and a lifetime-buy period is in effect.

NRND: Not recommended for new designs. Device is in production to support existing customers, but TI does not recommend using this part in a new design.

PREVIEW: Device has been announced but is not in production. Samples may or may not be available.

OBSOLETE: TI has discontinued the production of the device.

(2) **RoHS:** TI defines "RoHS" to mean semiconductor products that are compliant with the current EU RoHS requirements for all 10 RoHS substances, including the requirement that RoHS substance do not exceed 0.1% by weight in homogeneous materials. Where designed to be soldered at high temperatures, "RoHS" products are suitable for use in specified lead-free processes. TI may reference these types of products as "Pb-Free".

RoHS Exempt: TI defines "RoHS Exempt" to mean products that contain lead but are compliant with EU RoHS pursuant to a specific EU RoHS exemption.

Green: TI defines "Green" to mean the content of Chlorine (Cl) and Bromine (Br) based flame retardants meet JS709B low halogen requirements of <=1000ppm threshold. Antimony trioxide based flame retardants must also meet the <=1000ppm threshold requirement.

(3) MSL, Peak Temp. - The Moisture Sensitivity Level rating according to the JEDEC industry standard classifications, and peak solder temperature.

(4) There may be additional marking, which relates to the logo, the lot trace code information, or the environmental category on the device.

(5) Multiple Device Markings will be inside parentheses. Only one Device Marking contained in parentheses and separated by a "~" will appear on a device. If a line is indented then it is a continuation of the previous line and the two combined represent the entire Device Marking for that device.

(6) Lead finish/Ball material - Orderable Devices may have multiple material finish options. Finish options are separated by a vertical ruled line. Lead finish/Ball material values may wrap to two lines if the finish value exceeds the maximum column width.

Important Information and Disclaimer:The information provided on this page represents TI's knowledge and belief as of the date that it is provided. TI bases its knowledge and belief on information provided by third parties, and makes no representation or warranty as to the accuracy of such information. Efforts are underway to better integrate information from third parties. TI has taken and continues to take reasonable steps to provide representative and accurate information but may not have conducted destructive testing or chemical analysis on incoming materials and chemicals. TI and TI suppliers consider certain information to be proprietary, and thus CAS numbers and other limited information may not be available for release.

In no event shall TI's liability arising out of such information exceed the total purchase price of the TI part(s) at issue in this document sold by TI to Customer on an annual basis.

OTHER QUALIFIED VERSIONS OF ADC3421-Q1 :

- Catalog : [ADC3421](#)

NOTE: Qualified Version Definitions:

- Catalog - TI's standard catalog product

TAPE AND REEL INFORMATION

QUADRANT ASSIGNMENTS FOR PIN 1 ORIENTATION IN TAPE


*All dimensions are nominal

Device	Package Type	Package Drawing	Pins	SPQ	Reel Diameter (mm)	Reel Width W1 (mm)	A0 (mm)	B0 (mm)	K0 (mm)	P1 (mm)	W (mm)	Pin1 Quadrant
AD3421QRWERQ1	VQFNP	RWE	56	2000	330.0	16.4	8.3	8.3	2.25	12.0	16.0	Q2

TAPE AND REEL BOX DIMENSIONS


*All dimensions are nominal

Device	Package Type	Package Drawing	Pins	SPQ	Length (mm)	Width (mm)	Height (mm)
AD3421QRWERQ1	VQFNP	RWE	56	2000	350.0	350.0	43.0

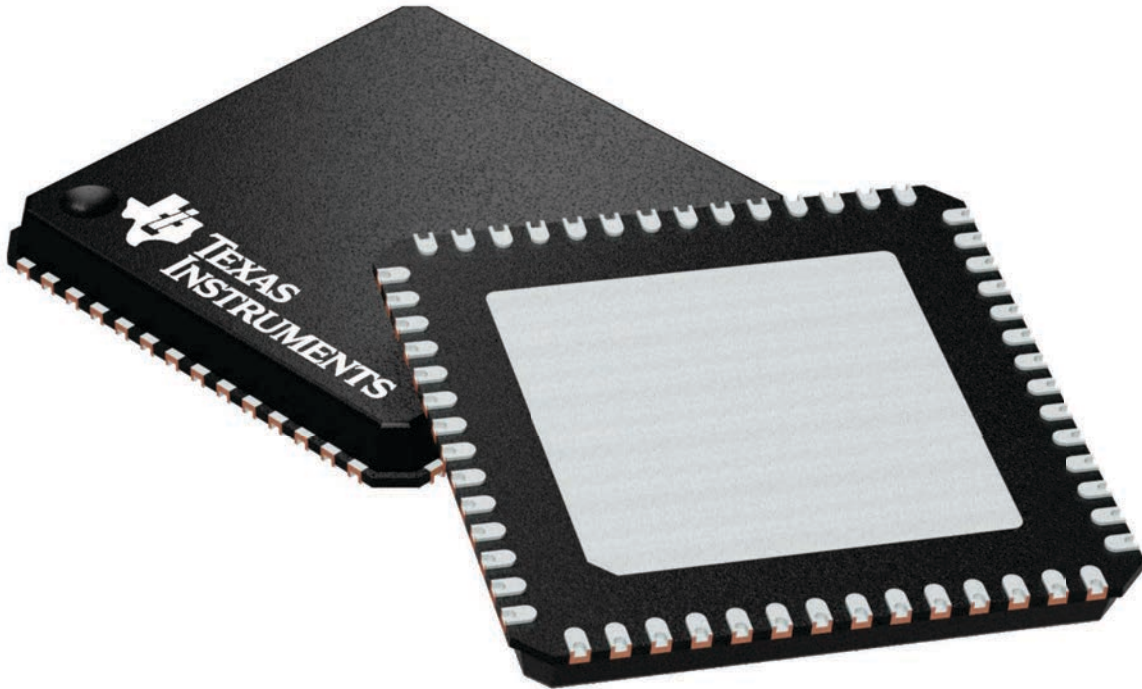
GENERIC PACKAGE VIEW

RWE 56

VQFNP - 0.9 mm max height

8 x 8, 0.5 mm pitch

PLASTIC QUAD FLATPACK - NO LEAD



Images above are just a representation of the package family, actual package may vary.
Refer to the product data sheet for package details.

4224587/A

重要なお知らせと免責事項

TI は、技術データと信頼性データ (データシートを含みます)、設計リソース (リファレンス・デザインを含みます)、アプリケーションや設計に関する各種アドバイス、Web ツール、安全性情報、その他のリソースを、欠陥が存在する可能性のある「現状のまま」提供しており、商品性および特定目的に対する適合性の黙示保証、第三者の知的財産権の非侵害保証を含むいかなる保証も、明示的または黙示的にかかわらず拒否します。

これらのリソースは、TI 製品を使用する設計の経験を積んだ開発者への提供を意図したものです。(1) お客様のアプリケーションに適した TI 製品の選定、(2) お客様のアプリケーションの設計、検証、試験、(3) お客様のアプリケーションに該当する各種規格や、その他のあらゆる安全性、セキュリティ、規制、または他の要件への確実な適合に関する責任を、お客様のみが単独で負うものとし、

上記の各種リソースは、予告なく変更される可能性があります。これらのリソースは、リソースで説明されている TI 製品を使用するアプリケーションの開発の目的でのみ、TI はその使用をお客様に許諾します。これらのリソースに関して、他の目的で複製することや掲載することは禁止されています。TI や第三者の知的財産権のライセンスが付与されている訳ではありません。お客様は、これらのリソースを自身で使用した結果発生するあらゆる申し立て、損害、費用、損失、責任について、TI およびその代理人を完全に補償するものとし、TI は一切の責任を拒否します。

TI の製品は、[TI の販売条件](#)、または [ti.com](https://www.ti.com) やかかる TI 製品の関連資料などのいずれかを通じて提供する適用可能な条項の下で提供されています。TI がこれらのリソースを提供することは、適用される TI の保証または他の保証の放棄の拡大や変更を意味するものではありません。

お客様がいかなる追加条項または代替条項を提案した場合でも、TI はそれらに異議を唱え、拒否します。

郵送先住所 : Texas Instruments, Post Office Box 655303, Dallas, Texas 75265
Copyright © 2023, Texas Instruments Incorporated