

ADS8355

デュアル、16ビット、1MSPS、同時サンプリングのアナログ/デジタル・コンバータ

1 特長

- 1MSPSのスループット、レイテンシなしの出力
- 2チャンネルの同時サンプリング
- シングルエンドおよび疑似差動入力をサポート
- 優れた DC および AC 性能
 - 16ビットの NMC DNL、 ± 1 LSB の INL
 - 88dB の SNR、-97dB の THD
- プログラム可能なデュアル 2.5V 内部基準電圧
- 拡張産業用温度範囲全体にわたって仕様を完全に規定：-40°C~+125°C
- 小さなフットプリント：
 - WQFN-16 (3mm x 3mm)

2 アプリケーション

- サーボ・ドライブ位置フィードバック
- 光学モジュール
- 多機能リレー
- 電源品質アナライザ
- 3相UPS
- アナログ入力モジュール

3 概要

ADS8355 は、シングル・エンドおよび疑似差動アナログ入力に対応したデュアル、高速、同時サンプリングのアナログ/デジタル・コンバータ (ADC) です。

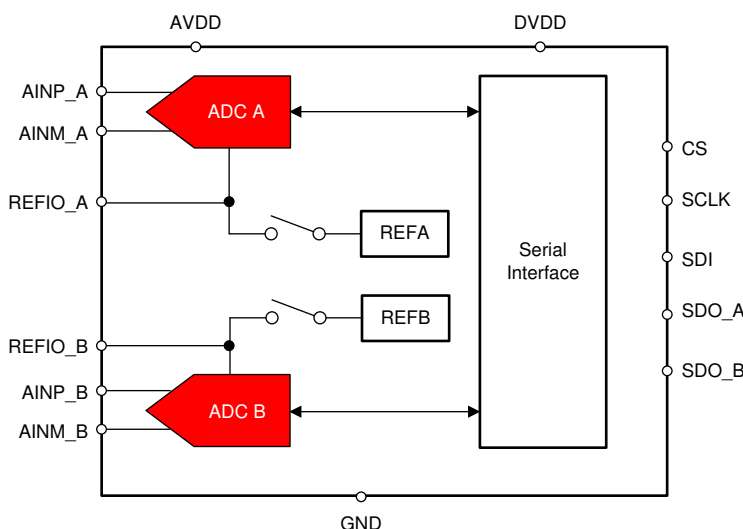
このデバイスは、広い電源電圧範囲で動作できる柔軟性の高いシリアル・インターフェイスをサポートしています。この柔軟なインターフェイスにより、多くの種類のホスト・コントローラと簡単に通信できます。デバイスが 2 つの低消費電力モードをサポートしているため、与えられたスループットについて消費電力を最適化できます。このデバイスは拡張産業用温度範囲 (-40°C~+125°C) で完全に動作が規定されており、16ピン WQFN (3mm x 3mm) パッケージで供給されます。

製品情報⁽¹⁾

型番	パッケージ	本体サイズ(公称)
ADS8355	WQFN (16)	3.00mmx3.00mm

(1) 利用可能なすべてのパッケージについては、このデータシートの末尾にある注文情報を参照してください。

代表的なブロック図



目次

1	特長	1	7.5	Programming.....	21
2	アプリケーション	1	7.6	Register Map.....	23
3	概要	1	8	Application and Implementation	28
4	改訂履歴.....	2	8.1	Application Information.....	28
5	Pin Configuration and Functions	3	8.2	Typical Application	30
6	Specifications.....	4	9	Power Supply Recommendations.....	33
6.1	Absolute Maximum Ratings	4	10	Layout.....	33
6.2	ESD Ratings.....	4	10.1	Layout Guidelines	33
6.3	Recommended Operating Conditions.....	5	10.2	Layout Example	34
6.4	Thermal Information	6	11	デバイスおよびドキュメントのサポート	35
6.5	Electrical Characteristics.....	6	11.1	デバイス・サポート.....	35
6.6	Timing Requirements	8	11.2	ドキュメントのサポート.....	35
6.7	Switching Characteristics	9	11.3	ドキュメントの更新通知を受け取る方法.....	35
6.8	Typical Characteristics	10	11.4	コミュニティ・リソース	35
7	Detailed Description	14	11.5	商標.....	35
7.1	Overview	14	11.6	静電気放電に関する注意事項	35
7.2	Functional Block Diagram	14	11.7	Glossary	35
7.3	Feature Description.....	14	12	メカニカル、パッケージ、および注文情報	35
7.4	Device Functional Modes.....	19			

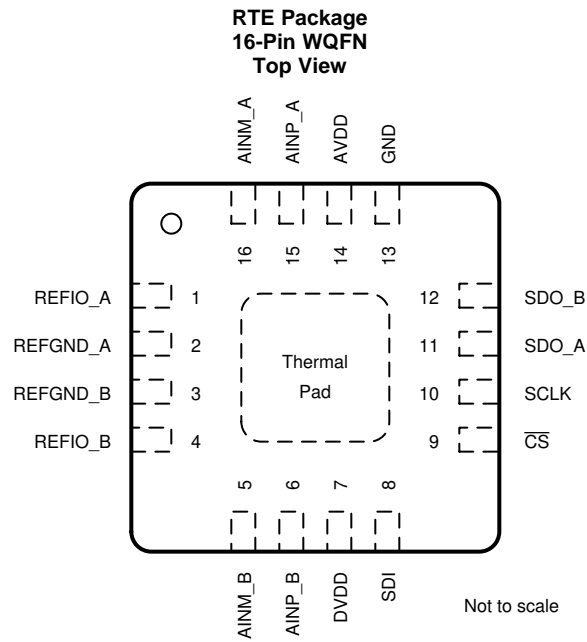
4 改訂履歴

2020年2月発行のものから更新

Page

- | | |
|--|---|
| • Deleted AVDD supply condition and MIN MAX specification for internal reference. | 6 |
| • Deleted AVDD supply condition and MIN MAX specification for internal reference. | 6 |

5 Pin Configuration and Functions



Pin Functions

NAME	NO.	TYPE	DESCRIPTION
AINM_A	16	Analog input	Negative analog input, channel A
AINM_B	5	Analog input	Negative analog input, channel B
AINP_A	15	Analog input	Positive analog input, channel A
AINP_B	6	Analog input	Positive analog input, channel B
AVDD	14	Power supply	Supply voltage for ADC operation
$\overline{\text{CS}}$	9	Digital input	Chip-select signal; active low
DVDD	7	Digital I/O supply	Digital I/O supply
GND	13	Power supply	Device ground
REFGND_A	2	Power supply	Reference A ground
REFGND_B	3	Power supply	Reference B ground
REFIO_A	1	Analog input/output	Reference voltage input/output, channel A
REFIO_B	4	Analog input/output	Reference voltage input/output, channel B
SCLK	10	Digital input	Clock for serial communication
SDI	8	Digital input	Data input for serial communication
SDO_A	11	Digital output	Data output A for serial communication, channel A and channel B
SDO_B	12	Digital output	Data output B for serial communication, channel B
Thermal pad		Power supply	Exposed thermal pad. TI recommends connecting this pin to the printed circuit board (PCB) ground.

6 Specifications

6.1 Absolute Maximum Ratings

over operating ambient temperature range (unless otherwise noted)⁽¹⁾

	MIN	MAX	UNIT
AVDD to REFGND_x ⁽²⁾ or GND	-0.3	6	V
DVDD to GND	-0.3	6	V
Analog (AINP_x and AINM_x) ⁽³⁾ and reference input (REFIO_x) voltage with respect to REFGND_x	REFGND_x - 0.3	AVDD + 0.3	V
Digital input voltage with respect to GND	GND - 0.3	DVDD + 0.3	V
REFGND_x	GND - 0.3	GND + 0.3	V
Input current to any pin except supply pins	-10	10	mA
Junction temperature, T _J	-40	125	°C
Storage temperature, T _{stg}	-65	150	°C

(1) Stresses beyond those listed under *Absolute Maximum Rating* may cause permanent damage to the device. These are stress ratings only, which do not imply functional operation of the device at these or any other conditions beyond those indicated under *Recommended Operating Condition*. Exposure to absolute-maximum-rated conditions for extended periods may affect device reliability.

(2) REFGND_x refers to REFGND_A and REFGND_B. REFIO_x refers to REFIO_A and REFIO_B.

(3) AINP_x refers AINP_A and AINP_B. AINM_x refers to AINM_A and AINM_B.

6.2 ESD Ratings

		VALUE	UNIT
V _(ESD)	Electrostatic discharge	Human-body model (HBM), ANSI/ESDA/JEDEC JS-001 ⁽¹⁾	±2000
		Charged-device model (CDM), per JEDEC specification JESD22-C101 ⁽²⁾	±500

(1) JEDEC document JEP155 states that 500-V HBM allows safe manufacturing with a standard ESD control process.

(2) JEDEC document JEP157 states that 250-V CDM allows safe manufacturing with a standard ESD control process.

6.3 Recommended Operating Conditions

over operating free-air temperature range (unless otherwise noted)

PARAMETER		TEST CONDITIONS	MIN	TYP	MAX	UNIT
POWER SUPPLY						
AVDD	Analog supply voltage (AVDD to AGND)	V _{REF} range, internal reference	4.5	5	5.5	V
		V _{REF} range, external reference V _{REF} < 4.5 V	4.5	5	5.5	
		V _{REF} range, external reference V _{REF} > 4.5 V	V _{REF}	5	5.5	
		2 x V _{REF} range, internal reference	5	5	5.5	
		2 x V _{REF} range, external reference	2 x V _{REF}	5	5.5	
DVDD	Digital supply voltage		1.65	3.3	5.5	V
ANALOG INPUTS (Single-Ended Configuration)						
FSR	Full-scale input range (AINP_x to AINM_x) ⁽¹⁾	V _{REF} range	0		V _{REF}	V
		2 x V _{REF} range	0		2 x V _{REF}	
V _{INP}	Absolute input voltage (AINP_x to REFGND_x) ⁽²⁾	V _{REF} range	0		V _{REF}	V
		2 x V _{REF} range, AVDD ≥ 2 x V _{REF}	0		2 x V _{REF}	
V _{INM}	Absolute input voltage (AINM_x to REFGND_x)		-0.1		0.1	V
ANALOG INPUTS (Pseudo-Differential Configuration)						
FSR	Full-scale input range (AINP_x to AINM_x) ⁽¹⁾	V _{REF} range	-V _{REF} / 2		V _{REF} / 2	V
		2 x V _{REF} range	-V _{REF}		V _{REF}	
V _{INP}	Absolute input voltage (AINP_x to REFGND_x)	V _{REF} range	0		V _{REF}	V
		2 x V _{REF} range	0		2 x V _{REF}	
V _{INM}	Absolute input voltage (AINM_x -REFGND_x)	V _{REF} range	V _{REF} / 2 - 0.1	V _{REF} / 2	V _{REF} / 2 + 0.1	V
		2 x V _{REF} range	V _{REF} - 0.1	V _{REF}	V _{REF} + 0.1	
EXTERNAL REFERENCE INPUT						
V _{REFIO}	REFIO_x ⁽³⁾ input voltage	V _{REF} range	2.4	2.5	AVDD	V
		2 x V _{REF} range	2.4	2.5	AVDD / 2	
TEMPERATURE RANGE						
T _A	Ambient temperature		-40	25	125	°C

(1) AINP_x refers to analog input pins AINP_A and AINP_B. AINM_x refers to analog input pins AINM_A and AINM_B.

(2) REFGND_x refers to reference ground pins REFGND_A and REFGND_B.

(3) REFIO_x refers to voltage reference inputs REFIO_A and REFIO_B.

6.4 Thermal Information

THERMAL METRIC ⁽¹⁾		ADS8355	UNIT
		RTE (WQFN)	
		16 PINS	
$R_{\theta JA}$	Junction-to-ambient thermal resistance	33.3	°C/W
$R_{\theta JC(top)}$	Junction-to-case (top) thermal resistance	29.5	°C/W
$R_{\theta JB}$	Junction-to-board thermal resistance	7.3	°C/W
Ψ_{JT}	Junction-to-top characterization parameter	0.2	°C/W
Y_{JB}	Junction-to-board characterization parameter	7.4	°C/W
$R_{\theta JC(bot)}$	Junction-to-case (bottom) thermal resistance	0.9	°C/W

(1) For more information about traditional and new thermal metrics, see the [Semiconductor and IC Package Thermal Metrics](#) application report.

6.5 Electrical Characteristics

at $AVDD = 5\text{ V}$, $DVDD = 2.35\text{ V to }5.5\text{ V}$, $V_{REFIO_A} = V_{REFIO_B} = 5\text{ V}$ (external) and $f_{SAMPLE} = 1\text{ MSPS}$ (unless otherwise noted); minimum and maximum values at $T_A = -40^\circ\text{C to }125^\circ\text{C}$; typical values are at $T_A = 25^\circ\text{C}$

PARAMETER	TEST CONDITIONS	MIN	TYP	MAX	UNIT	
RESOLUTION						
Resolution		16			Bits	
DC ACCURACY						
NMC	No missing codes	16			Bits	
INL	Integral nonlinearity	V_{REF} input range, internal $V_{REF} = 2.5\text{ V}$	-3	±1	3	LSB
				±1		
DNL	Differential nonlinearity	V_{REF} input range, internal $V_{REF} = 2.5\text{ V}$	-0.99	±0.5	0.99	LSB
				±0.5		
E_{IO}	Input offset error	-1	±0.5	1	mV	
	E_{IO} match	ADC_A to ADC_B	-1	±0.5		1
dE_{IO}/dT	Input offset thermal drift		1		µV/°C	
E_G	Gain error	Referenced to the voltage at REFIO_x	-0.1	±0.05	0.1	%FS
	E_G match	ADC_A to ADC_B	-0.1	±0.05	0.1	
dE_G/dT	Gain error thermal drift	Referenced to the voltage at REFIO_x		±1		ppm/°C
AC ACCURACY						
SNR	Signal-to-noise ratio	V_{REF} input range	86	88	dB	
		$AVDD = 3.3\text{ V}$, V_{REF} input range, internal $V_{REF} = 2.5\text{ V}$		84		
		$V_{REF} = 2.5\text{ V}$ internal / external, 2 x V_{REF} input range		84		
THD	Total harmonic distortion	V_{REF} input range		-97	dB	
		$AVDD = 3.3\text{ V}$, V_{REF} input range, internal $V_{REF} = 2.5\text{ V}$		-97		
		$V_{REF} = 2.5\text{ V}$ internal/external, 2 x V_{REF} input range		-97		

Electrical Characteristics (continued)

at AVDD = 5 V, DVDD = 2.35 V to 5.5 V, V_{REFIO_A} = V_{REFIO_B} = 5 V (external) and f_{SAMPLE} = 1 MSPS (unless otherwise noted); minimum and maximum values at T_A = –40°C to 125°C; typical values are at T_A = 25°C

PARAMETER		TEST CONDITIONS	MIN	TYP	MAX	UNIT
SINAD	Signal-to-noise + distortion	V _{REF} input range		87.5		dB
		AVDD = 3.3 V, V _{REF} input range, internal V _{REF} = 2.5 V		83		
		V _{REF} = 2.5 V internal / external, 2 x V _{REF} input range		83		
SFDR	Spurious-free dynamic range	V _{REF} input range		100		dB
		AVDD = 3.3 V, V _{REF} input range, internal V _{REF} = 2.5 V		100		
		V _{REF} = 2.5 V internal/external, 2 x V _{REF} input range		100		
ANALOG INPUTS						
C _i	Input capacitance	In sample mode		40		pF
		In hold mode		4		
I _{lkg}	Input leakage current			0.1		μA
INTERNAL VOLTAGE REFERENCE						
V _{REFIO_x}	Reference output voltage	REFDAC_x = 1FFh at 25°C		2.5		V
V _{REF-match}	VREF_A to VREF_B matching	REFDAC_x = 1FFh at 25°C		±3		mV
C _{REFIO}	Reference output capacitor			10		μF
t _{REFON}	Reference output settling time			8		ms
VOLTAGE REFERENCE INPUT						
I _{REF}	Average reference input current	Per ADC		300		μA
C _{REF}	External reference capacitor			10		μF
I _{lkg(dc)}	DC leakage current			±0.1		μA
SAMPLING DYNAMICS						
t _A	Aperture delay			8		ns
	t _A match	ADC_A to ADC_B		40		ps
t _{AJIT}	Aperture jitter			50		ps
DIGITAL INPUTS						
V _{IH} ⁽¹⁾	High-level input voltage	DVDD ≥ 2.35 V	0.7 x DVDD		DVDD + 0.3	V
		DVDD < 2.35 V	0.8 x DVDD		DVDD + 0.3	
V _{IL} ⁽¹⁾	Low-level input voltage	DVDD ≥ 2.35 V	–0.3		0.3 x DVDD	V
		DVDD < 2.35 V	–0.3		0.2 x DVDD	
	Input current			±10		nA
DIGITAL OUTPUTS						
V _{OH} ⁽¹⁾	High-level output voltage	I _{OH} = 500-μA source	0.8 x DVDD		DVDD	V
V _{OL} ⁽¹⁾	Low-level output voltage	I _{OL} = 500-μA sink	0		0.2 x DVDD	V

(1) Specified by design.

Electrical Characteristics (continued)

at AVDD = 5 V, DVDD = 2.35 V to 5.5 V, V_{REFIO_A} = V_{REFIO_B} = 5 V (external) and f_{SAMPLE} = 1 MSPS (unless otherwise noted); minimum and maximum values at T_A = -40°C to 125°C; typical values are at T_A = 25°C

PARAMETER	TEST CONDITIONS	MIN	TYP	MAX	UNIT
POWER SUPPLY					
AIDD	Analog supply current		11	13	mA
		AVDD = 5 V, internal reference	12		
		AVDD = 5V, no conversion internal reference	8		
		AVDD = 5 V, no conversion external reference ⁽²⁾	7		
		AVDD = 5 V, STANDBY mode internal reference	2.5		
		AVDD = 5 V, STANDBY mode external reference ⁽²⁾	1		
		Power-down mode	10	50	μA
DIDD	Digital supply current	DVDD = 3.3 V, C _{load} = 10 pF	0.5		mA
		DVDD = 5 V, C _{load} = 10 pF	1		

(2) With internal reference powered down, REF_SEL = 1.

6.6 Timing Requirements

at AVDD = 5 V, DVDD = 1.65 V to 5.5 V, and maximum throughput (unless otherwise noted); minimum and maximum values at T_A = -40°C to +125°C; typical values at T_A = 25°C.

			MIN	NOM	MAX	UNIT
t _{CYCLE}	Cycle time	DVDD ≥ 2.35 V	1			μs
		1.65 V < DVDD < 2.35 V	1.5			
f _{CLK}	Serial clock frequency	DVDD ≥ 2.35 V			50	MHz
		1.65 V < DVDD < 2.35 V			24	
t _{CLK}	Serial clock time period	DVDD ≥ 2.35 V	20			ns
		1.65 V < DVDD < 2.35 V	42			
t _{PH_CK}	Clock high time		0.45		0.55	t _{CLK}
t _{PL_CK}	Clock low time		0.45		0.55	t _{CLK}
t _{ACQ}	Acquisition time		350			ns
t _{PH_CS}	$\overline{\text{CS}}$ high time, NOP		40			ns
t _{SU_CSCK}	Setup time: $\overline{\text{CS}}$ falling edge to SCLK falling edge	DVDD ≥ 2.35 V	12			ns
		1.65 V < DVDD < 2.35 V	20			
t _{D_CKCS}	Delay time: Last SCLK falling edge to $\overline{\text{CS}}$ rising edge		12			ns
t _{SU_CKDI}	Setup time: DIN data valid to SCLK falling edge		2			ns
t _{HT_CKDI}	Hold time: SCLK falling edge to (previous) data valid on DIN		2			ns

6.7 Switching Characteristics

at AVDD = 5 V, DVDD = 1.65 V to 5.5 V, and maximum throughput (unless otherwise noted); minimum and maximum values at TA = -40°C to +125°C; typical values at TA = 25°C.

PARAMETER		TEST CONDITIONS	MIN	TYP	MAX	UNIT
t _{CONV}	Conversion time				650	ns
t _{DEN_CSDO}	Delay time: \overline{CS} falling edge to data enable	DVDD ≥ 2.35 V			14.5	ns
	Delay time: \overline{CS} falling edge to data enable	1.65 V < DVDD < 2.35 V			14.5	
t _{DZ_CSDO}	Delay time: \overline{CS} rising edge to data going to 3-state	DVDD ≥ 2.35 V			31	ns
	Delay time: \overline{CS} rising edge to data going to 3-state	1.65 V < DVDD < 2.35 V			37	
t _{D_CKDO}	Delay time: SCLK falling edge to next data valid	DVDD ≥ 2.35 V			19.5	ns
	Delay time: SCLK falling edge to next data valid	1.65 V < DVDD < 2.35 V			19.5	

Figure 1 shows the details of the serial interface between the device and the digital host controller.

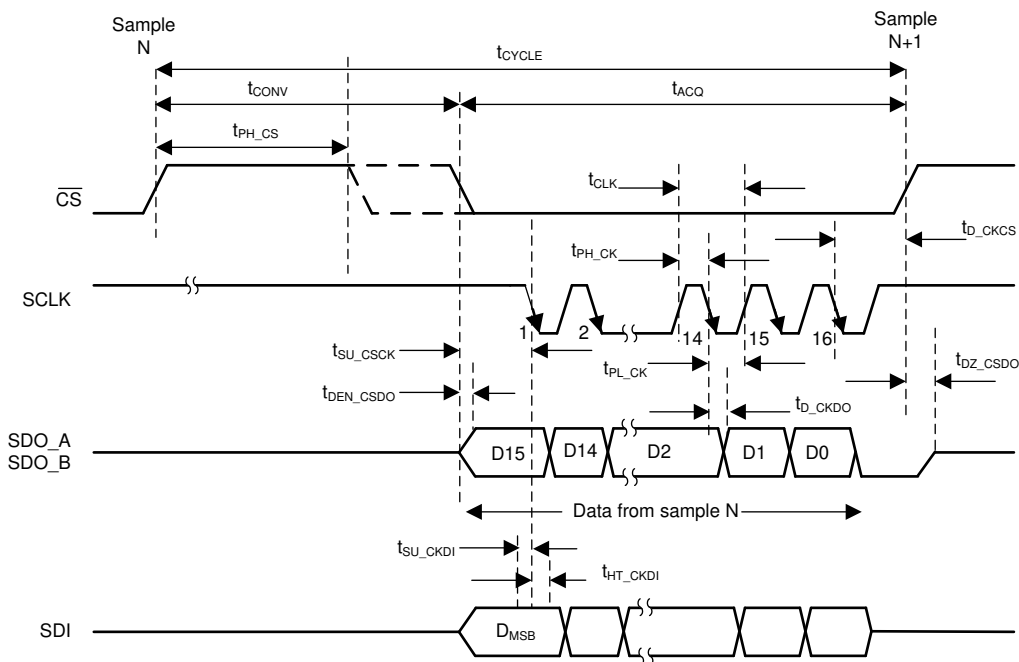


Figure 1. Serial interface Timing Diagram

6.8 Typical Characteristics

at $T_A = 25^\circ\text{C}$, $AVDD = 5\text{ V}$, $DVDD = 3.3\text{ V}$, $V_{REF} = 2.5\text{ V}$ (external), and $f_{DATA} = 1\text{ MSPS}$ (unless otherwise noted)

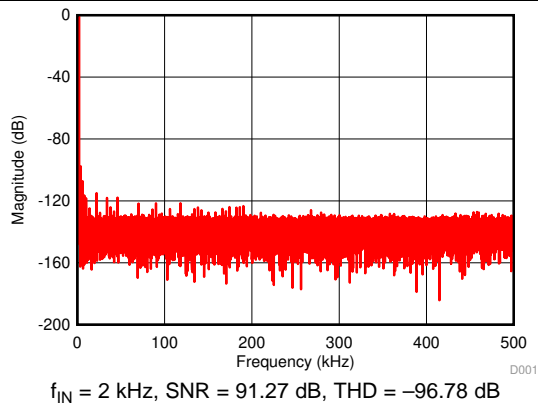


图 2. Typical FFT ADC A

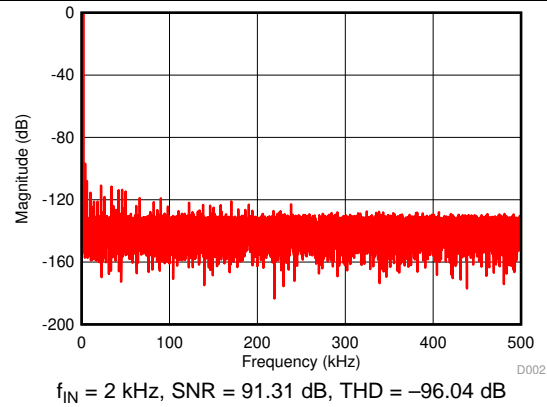


图 3. Typical FFT ADC B

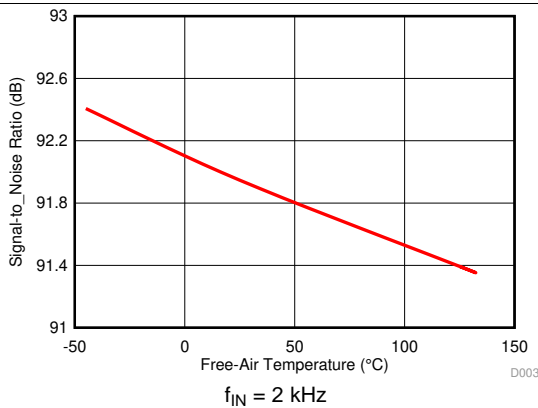


图 4. SNR vs Free-Air Temperature

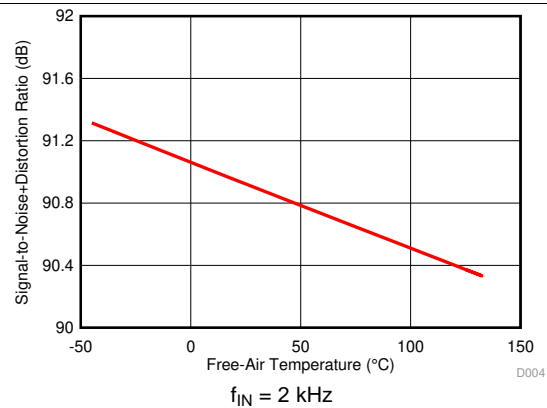


图 5. SINAD vs Free-Air Temperature

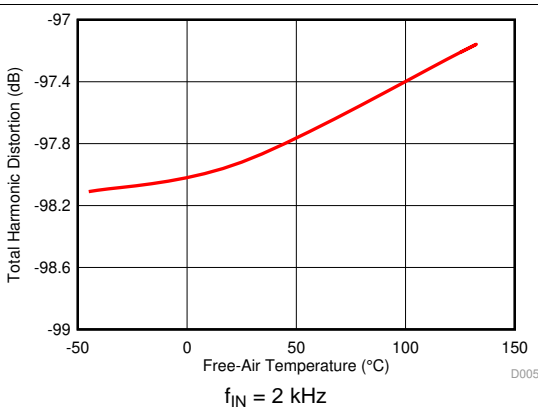


图 6. THD vs Free-Air Temperature

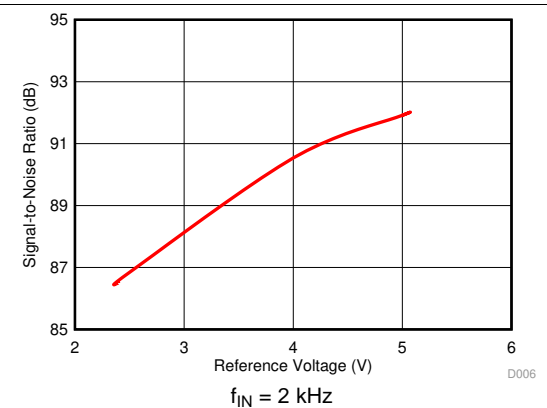
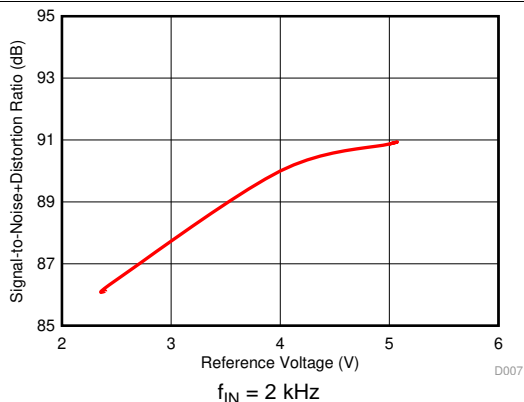


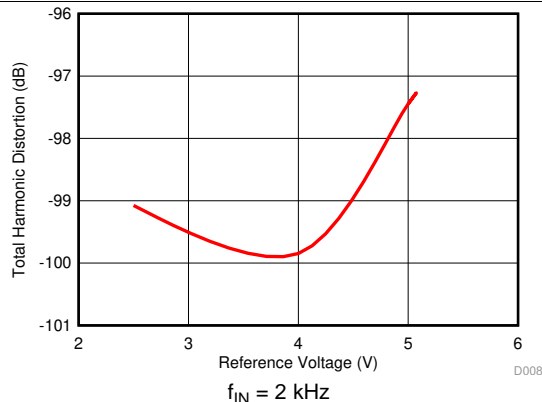
图 7. SNR vs Reference Voltage

Typical Characteristics (continued)

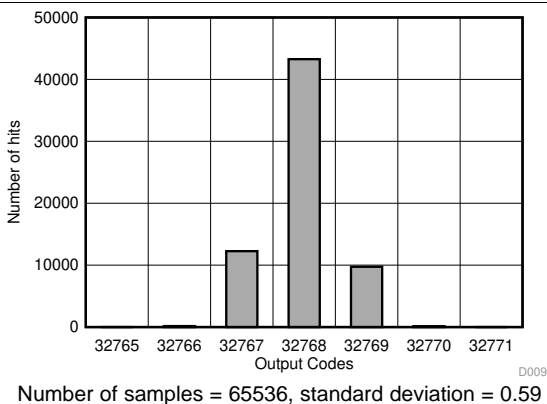
at $T_A = 25^\circ\text{C}$, $AVDD = 5\text{ V}$, $DVDD = 3.3\text{ V}$, $V_{REF} = 2.5\text{ V}$ (external), and $f_{DATA} = 1\text{ MSPS}$ (unless otherwise noted)



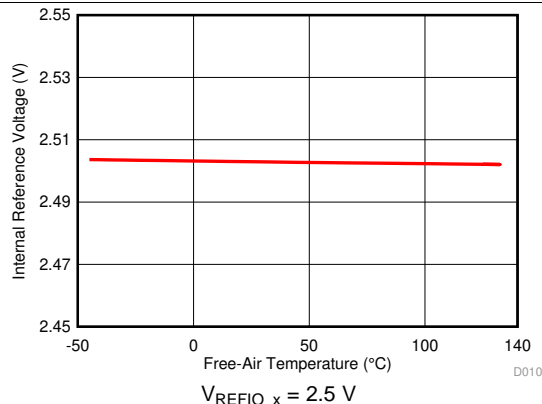
8. SINAD vs Reference Voltage



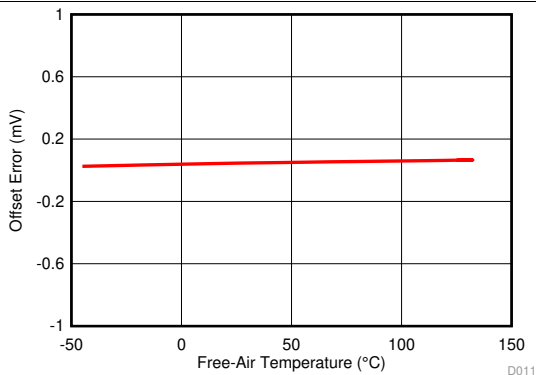
9. THD vs Reference Voltage



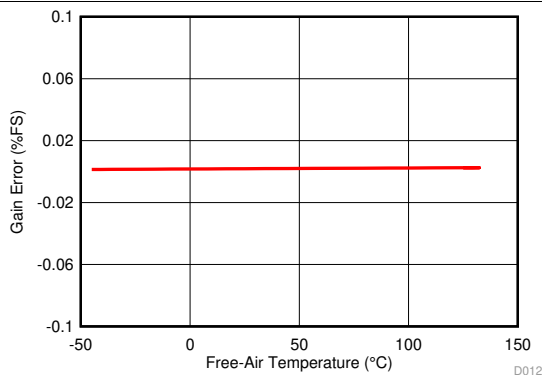
10. DC Histogram



11. Internal Reference vs Free-Air Temperature



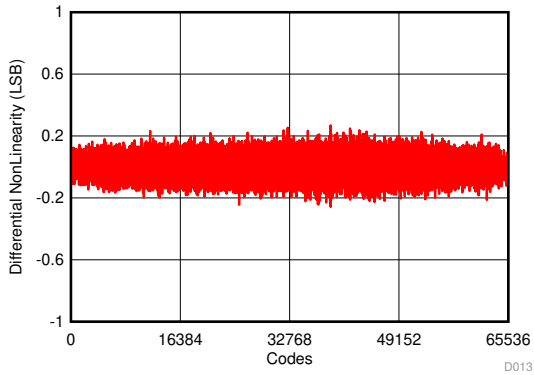
12. Offset Error vs Free-Air Temperature



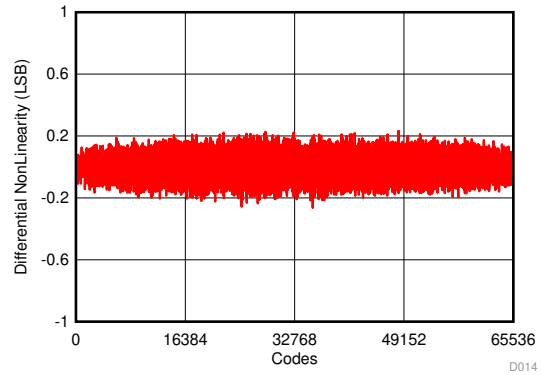
13. Gain Error vs Free-Air Temperature

Typical Characteristics (continued)

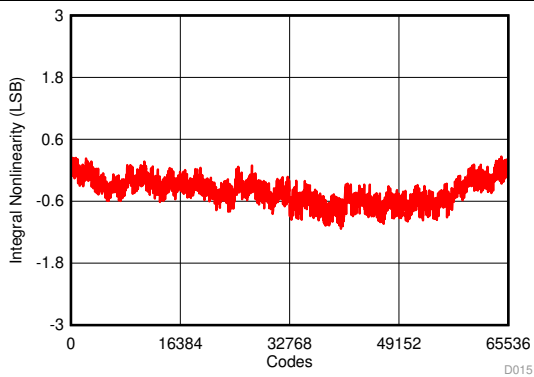
at $T_A = 25^\circ\text{C}$, $AVDD = 5\text{ V}$, $DVDD = 3.3\text{ V}$, $V_{REF} = 2.5\text{ V}$ (external), and $f_{DATA} = 1\text{ MSPS}$ (unless otherwise noted)



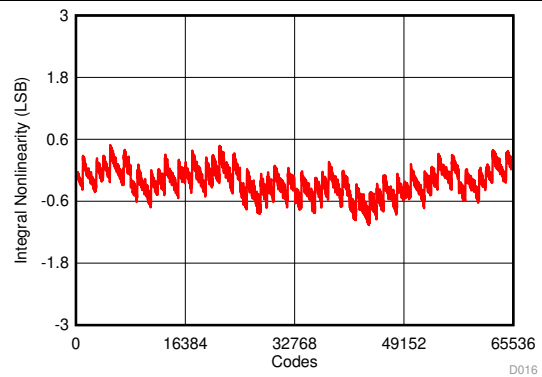
⊠ 14. Differential Nonlinearity ADC A



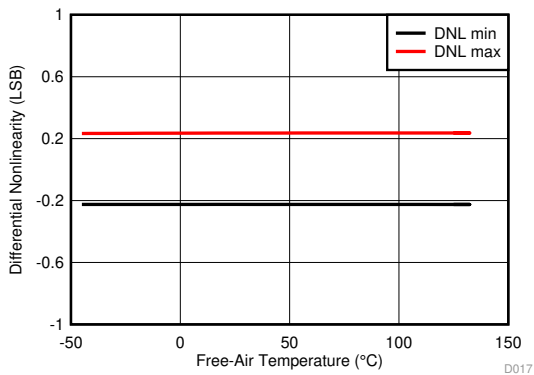
⊠ 15. Differential Nonlinearity ADC B



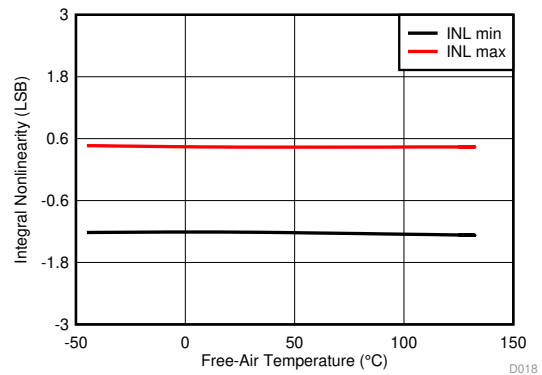
⊠ 16. Integral Nonlinearity ADC A



⊠ 17. Integral Nonlinearity ADC B



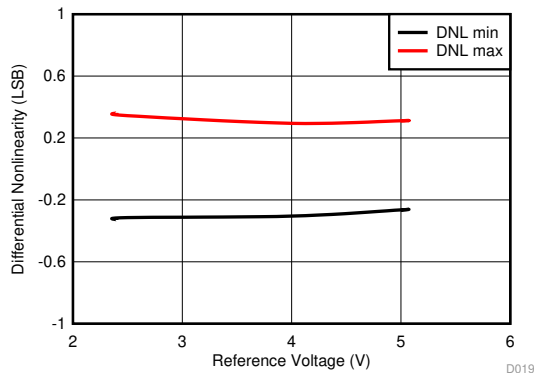
⊠ 18. Differential Nonlinearity vs Free-Air Temperature



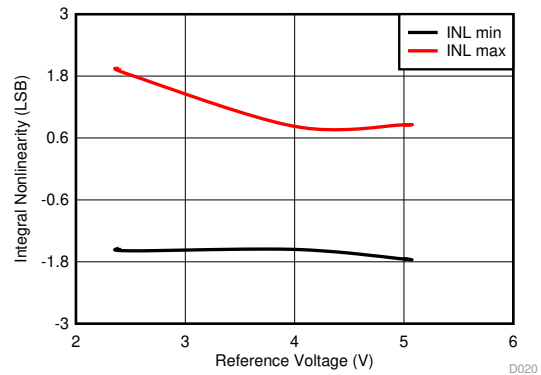
⊠ 19. Integral Nonlinearity vs Free-Air Temperature

Typical Characteristics (continued)

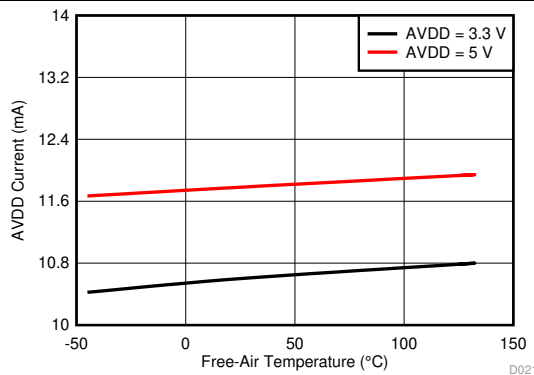
at $T_A = 25^\circ\text{C}$, $AVDD = 5\text{ V}$, $DVDD = 3.3\text{ V}$, $V_{REF} = 2.5\text{ V}$ (external), and $f_{DATA} = 1\text{ MSPS}$ (unless otherwise noted)



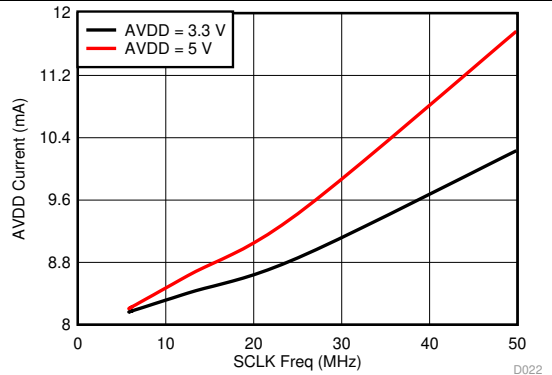
20. Differential Nonlinearity vs Reference Voltage



21. Integral Nonlinearity vs Reference Voltage



22. Analog Supply Current vs Free-Air Temperature



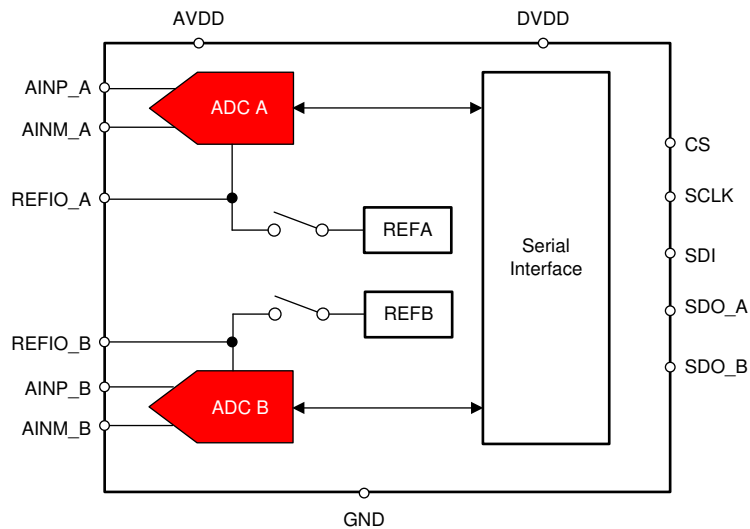
23. Analog Supply Current vs SCLK Frequency

7 Detailed Description

7.1 Overview

The ADS8355 is a 16-bit, 1-MSPS, dual, simultaneous-sampling, analog-to-digital converter (ADC) with an integrated programmable reference. The ADS8355 supports single-ended and pseudo-differential input signals. The device provides a simple, serial interface to the host controller and operates over a wide range of analog and digital power supplies.

7.2 Functional Block Diagram



7.3 Feature Description

7.3.1 Reference

The device has two simultaneous sampling ADCs: ADC_A and ADC_B. ADC_A and ADC_B operate with reference voltages V_{REF_A} and V_{REF_B} present on the REFIO_A and REFIO_B pins, respectively. Decouple the REFIO_A and REFIO_B pins with the REFGND_A and REFGND_B pins, respectively, with 10- μ F decoupling capacitors.

As illustrated in [Figure 24](#), the device supports operation either with an internal or external reference source. The reference voltage source is determined by programming the INT_EXT bit of the REF_SEL register. This bit is common to ADC_A and ADC_B.

Feature Description (continued)

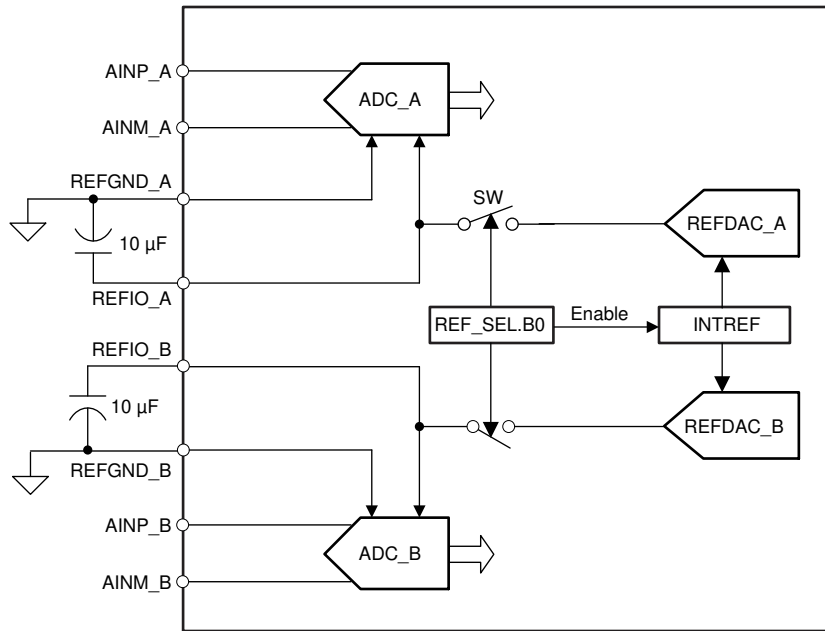


Figure 24. Reference Configurations and Connections

The default value of the REF_SEL register bit INT_EXT is set to 0. The device ADC_A and ADC_B operate with the external reference voltages provided on the REFIO_A and REFIO_B pins, respectively.

When the REF_SEL register bit INT_EXT is set to 1, the device operates with the internal reference source connected to REFIO_A and REFIO_B. The individual reference voltages can be set independently by programming the REFDAC_A and REFDAC_B values, respectively. For a 2.5-V internal reference, program REFDAC_x with a 0x1FF value..

Figure 25 shows a typical transfer function for the internal REFDAC when the internal reference is enabled.

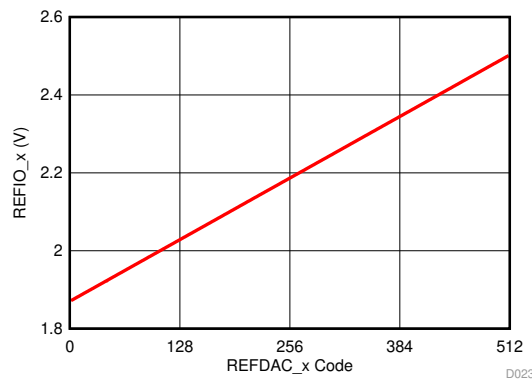


Figure 25. REFDAC Transfer Function

7.3.2 Analog Inputs

The ADS8355 supports single-ended or pseudo-differential analog input signals on both ADC channels. These inputs are sampled and converted simultaneously by the two ADCs, ADC_A and ADC_B. ADC_A samples and converts $(V_{AINP_A} - V_{AINM_A})$, and ADC_B samples and converts $(V_{AINP_B} - V_{AINM_B})$.

Figure 26 depicts equivalent circuits for the ADC_A and ADC_B analog input pins. Series resistance, R_S , represents the on-state sampling switch resistance (typically 50 Ω) and C_{SAMPLE} is the device sampling capacitor (typically 40 pF).

Feature Description (continued)

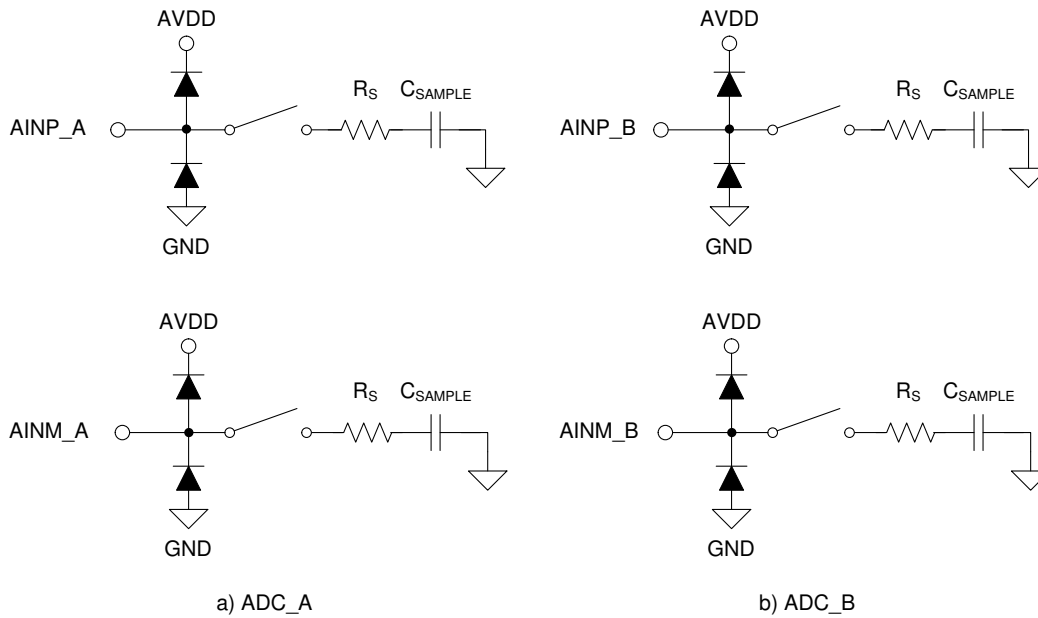


图 26. Equivalent Circuit for the Analog Input Pins

7.3.2.1 Analog Input: Full-Scale Range Selection

The full-scale range (FSR) supported at the analog inputs of the device is programmable with the RANGE_SEL bit of the INPUT_CONFIG register. The RANGE_SEL bit has a default value of low. This bit is common for both ADCs (ADC_A and ADC_B). 式 1 and 式 2 give the FSR.

$$\text{RANGE_SEL} = 0, \text{FSR_ADC_A} = 0 \text{ to } V_{\text{REF_A}} \text{ and } \text{FSR_ADC_B} = 0 \text{ to } V_{\text{REF_B}} \tag{1}$$

$$\text{For RANGE_SEL} = 1, \text{FSR_ADC_A} = 0 \text{ to } 2 \times V_{\text{REF_A}} \text{ and } \text{FSR_ADC_B} = 0 \text{ to } 2 \times V_{\text{REF_B}} \tag{2}$$

$V_{\text{REF_A}}$ and $V_{\text{REF_B}}$ are the reference voltages going to ADC_A and ADC_B, respectively (as described in the [Reference](#) section).

When operating with internal reference mode, the maximum dynamic range of the ADC can be used by programming the appropriate setting for the INPUT_CONFIG and REFDAC_x registers.

Ensure that the ADC analog supply (AVDD) meets the criteria defined in 式 3 and 式 4 when the RANGE_SEL bit is set to 1.

$$2 \times V_{\text{REF_A}} \leq \text{AVDD} \leq \text{AVDD}(\text{max}) \tag{3}$$

$$2 \times V_{\text{REF_B}} \leq \text{AVDD} \leq \text{AVDD}(\text{max}) \tag{4}$$

7.3.2.2 Analog Input: Single-Ended and Pseudo-Differential Configurations

The ADS8355 can support single-ended or pseudo-differential input configuration. The device operates in single-ended configuration by default.

The AINM_SEL bit in the INPUT_CONFIG register determines the input configuration used for the input pins. The selection is common for both input channels.

Program the AINM_SEL pin to logic low to operate the device in single-ended input configuration. Connect the AINM_A and AINM_B inputs to GND.

Program the AINM_SEL pin to logic high to operate the device in pseudo-differential input configuration. Connect the AINM_A and AINM_B inputs to a voltage equivalent to $\text{FSR_ADC_A} / 2$ and $\text{FSR_ADC_B} / 2$, respectively.

表 1 summarizes the analog input pin connections based on the various user settings.

Feature Description (continued)
表 1. Input Configurations and Connections

INPUT RANGE SELECTION RANGE_SEL	INPUT CONFIGURATION SELECTION AINM_SEL	AINP_X	AINM_X
0	0	Input signal range 0 to V_{REF_X}	Connect to GND
1	0	Input signal range 0 to $2 \times V_{REF_X}$	Connect to GND
0	1	Input signal range 0 to V_{REF_X}	Connect to $V_{REF_X} / 2$
1	1	Input signal range 0 to $2 \times V_{REF_X}$	Connect to V_{REF_X}

7.3.3 Transfer Function

The device supports two input configurations:

1. Default, single-ended inputs, INPUT_CONFIG register bit 0 = 0
2. Pseudo-differential inputs, INPUT_CONFIG register bit 0 = 1

The device supports two output data formats:

1. Default, straight binary output, DATA_OUT_CTRL register bit 0 = 0
2. Two's complement output, DATA_OUT_CTRL register bit 0 = 1

式 5 calculates the device resolution:

$$1 \text{ LSB} = (\text{FSR_ADC}_x) / (2^N)$$

where:

- N = 16 and
- FSR_ADC_x is the full-scale input range of the ADC

(5)

表 2 and 表 3 show the different input voltages and the corresponding output codes from the device.

表 2. Transfer Characteristics for Straight Binary Output (Default)

INPUT CONFIGURATION	INPUT VOLTAGE			OUTPUT CODE (Hex)	
	AINP_x	AINM_x	AINP_x - AINM_x	STRAIGHT BINARY	
				CODE	ADS8355
Single-ended	$\leq 1 \text{ LSB}$	0	$\leq 1 \text{ LSB}$	ZC	0000
	$\text{FSR_ADC}_x / 2$		$\text{FSR_ADC}_x / 2$	MC	7FFF
	$\geq \text{FSR_ADC}_x - 1 \text{ LSB}$		$\geq \text{FSR_ADC}_x - 1 \text{ LSB}$	FSC	FFFF
Pseudo-differential	$\leq 1 \text{ LSB}$	$\text{FSR_ADC}_x / 2$	$\leq -\text{FSR_ADC}_x / 2 + 1 \text{ LSB}$	ZC	0000
	$\text{FSR_ADC}_x / 2$		0	MC	7FFF
	$\geq \text{FSR_ADC}_x - 1 \text{ LSB}$		$\geq \text{FSR_ADC}_x / 2 - 1 \text{ LSB}$	FSC	FFFF

表 3. Transfer Characteristics for Twos Compliment Output

INPUT CONFIGURATION	INPUT VOLTAGE			OUTPUT CODE (Hex)	
	AINP_x	AINM_x	AINP_x - AINM_x	TWO'S COMPLIMENT	
				CODE	ADS8355
Single-ended	$\leq 1 \text{ LSB}$	0	$\leq 1 \text{ LSB}$	NFSC	8000
	$\text{FSR_ADC}_x / 2$		$\text{FSR_ADC}_x / 2$	MC	0000
	$\geq \text{FSR_ADC}_x - 1 \text{ LSB}$		$\geq \text{FSR_ADC}_x - 1 \text{ LSB}$	PFSC	7FFF
Pseudo-differential	$\leq 1 \text{ LSB}$	$\text{FSR_ADC}_x / 2$	$\leq -\text{FSR_ADC}_x / 2 + 1 \text{ LSB}$	NFSC	8000
	$\text{FSR_ADC}_x / 2$		0	MC	0000
	$\geq \text{FSR_ADC}_x - 1 \text{ LSB}$		$\geq \text{FSR_ADC}_x / 2 - 1 \text{ LSB}$	PFSC	7FFF

Figure 27 shows the ideal device transfer characteristics for the single-ended analog input.

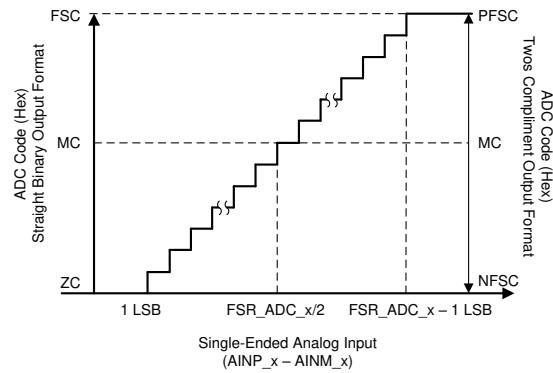


Figure 27. Ideal Transfer Characteristics for a Single-Ended Analog Input

Figure 28 shows the ideal device transfer characteristics for the pseudo-differential analog input.

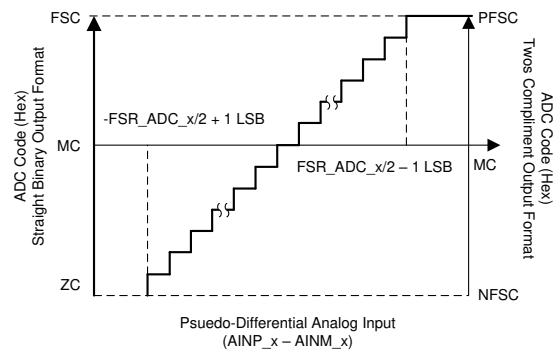


Figure 28. Ideal Transfer Characteristics for a Pseudo-Differential Analog Input

7.4 Device Functional Modes

7.4.1 Conversion Data Read: Dual-SDO Mode (Default)

The dual-SDO mode is designed to support the maximum throughput at lower SCLK frequencies.

The single-SDO mode is enabled by programming the SDO_MODE bit in the SDO_CTRL register to logic low. In this mode, the SDO_A pin outputs the ADC_A conversion result and the SDO_B pin outputs the ADC_B conversion result. [Figure 29](#) shows a detailed timing diagram for this mode.

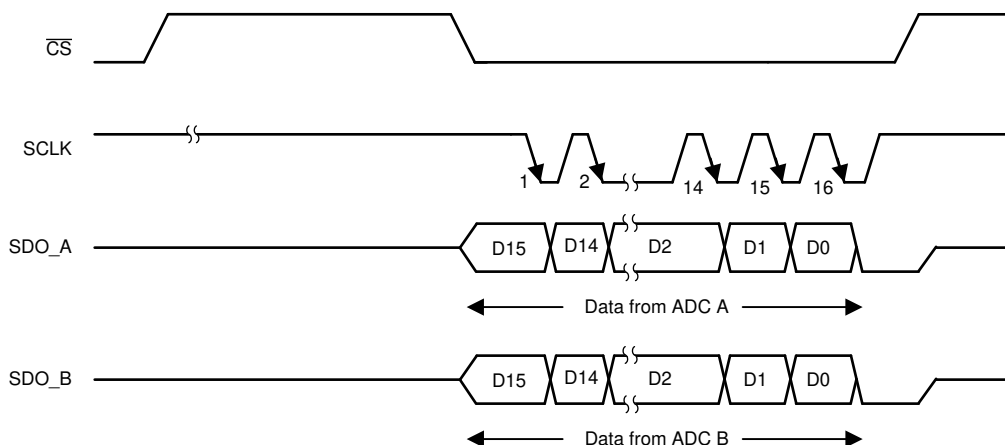



Figure 29. Dual-SDO Mode Timing Diagram

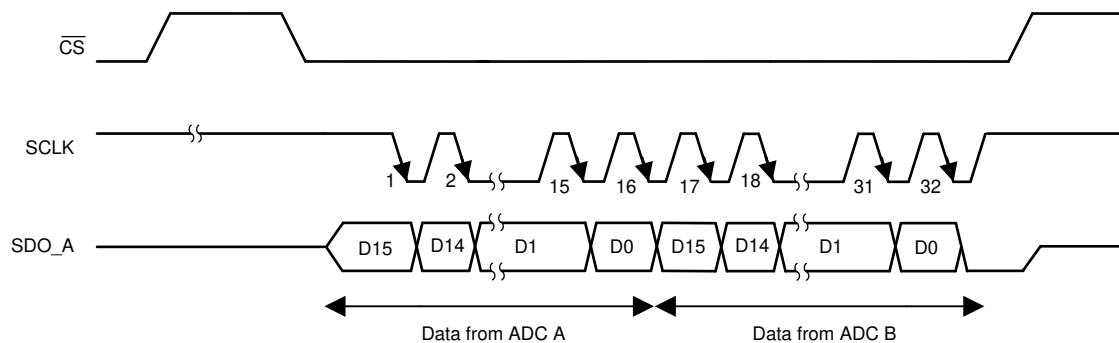
A \overline{CS} rising edge forces SDO_x to tri-state. \overline{CS} also samples the input signal and causes the device to enter conversion phase. Conversion is done with the internal clock. \overline{CS} and SCLK must remain high for a minimum time of t_{CONV} . A \overline{CS} falling edge brings the serial data bus out of tri-state and the device outputs the MSB of the data. The lower data bits are output on the subsequent SCLK falling edges. SDO_A and SDO_B go low after the 16th SCLK falling edge. The SDO_x signals remain low until the \overline{CS} signal is pulled high.

Device Functional Modes (continued)

7.4.2 Conversion Data Read: Single-SDO Mode

The single-SDO mode is designed to support operation with a wide variety of hosts that can support only one master in, slave out (MISO) signal for the SPI interface. The maximum throughput is limited based on the SCLK frequency supported by the host.

The single-SDO mode is enabled by programming the SDO_MODE bit in the SDO_CTRL register to logic high. In this mode, the SDO_A pin outputs the conversion results for ADC_A followed by ADC_B.  30 shows a detailed timing diagram for this mode.



 30. Single-SDO Mode Timing Diagram

A \overline{CS} rising edge forces SDO_x to tri-state. \overline{CS} also samples the input signal and causes the device to enter conversion phase. Conversion is done with the internal clock. \overline{CS} and SCLK must remain high for a minimum time of t_{CONV} . A \overline{CS} falling edge brings the serial data bus out of tri-state and the device outputs the MSB of the ADC_A conversion result. The lower data bits are output on the subsequent SCLK falling edges. After ADC_A, the device outputs the ADC_B conversion result starting from 17th falling edge of SCLK. SDO_A drives the output line to a zero logic level after 32nd falling edge of SCLK. SDO_A remains low until the \overline{CS} signal is pulled high. SDO_B is driven low when the SPI interface is active in single-SDO mode.

7.4.3 Low-Power Modes

In normal mode of operation, all internal circuits of the device are always powered up and the device is ready to commence a new conversion when \overline{CS} is pulled high. The device also supports two low-power modes to optimize the power consumption at lower throughput or when the device is not expected to perform conversions.

7.4.3.1 STANDBY Mode

The device supports a standby mode of operation where the ADCs and the internal oscillator are powered down to save power. The internal reference, if already enabled, stays enabled and the contents of the REFDAC_A and REFDAC_B registers are retained to enable faster power-up to a normal mode of operation.

Standby mode is enabled by programming the PD_KEY register with 0x09h followed by setting the STANDBY bit in the PD_STANDBY register with logic high. See the [Register Map](#) section for the register setting information. See the [Register Read/Write Operation](#) section for timing information for register access.

Standby mode is disabled by programming the PD_KEY register with 0x09h followed by setting the STANDBY bit in the PD_STANDBY register with logic low. After existing standby mode, a delay of 10 μ s must elapse for the internal circuits to power up and resume normal operation.

7.4.3.2 PD (Power-Down) Mode

The device supports a PD (power-down) mode of operation where all internal blocks except the interface and I/O are powered down to save power.

PD mode is enabled by programming the PD_KEY register with 0x09h followed by setting the PD_EN bit in the PD_STANDBY register with logic high. See the [Register Map](#) section for the register setting information. See the [Register Read/Write Operation](#) section for timing information for register access.

Device Functional Modes (continued)

PD mode is disabled by programming the PD_KEY register with 0x09h followed by setting the PD_EN bit in the PD_STANDBY register with logic low. After exiting PD mode, a delay of 1 ms must elapse with the external reference mode and 3 ms must elapse with the internal reference mode for the internal circuits to power up and resume normal operation.

7.5 Programming

7.5.1 Register Read/Write Operation

This device features configuration registers and supports the commands listed in 表 4 to access the internal configuration registers.

表 4. Supported Commands

B[19:16]	B[15:8]	B[7:0]	COMMAND ACRONYM	COMMAND DESCRIPTION
0000	00000000000	00000000	NOP	No operation. Next frame provides the ADC conversion result output on the SDO_X lines.
0001	<8-bit address>	<8-bit data>	WR_REG	Write <8-bit data> to the <8-bit address>
0010	<8-bit address>	00000000	RD_REG	Read contents from the <8-bit address>
0011	<8-bit address>	<8-bit unmasked bits>	SET_BITS	Set <8-bit unmasked bits> from <8-bit address>
0100	<8-bit address>	<8-bit unmasked bits>	CLR_BITS	Clear <8-bit unmasked bits> from <8-bit address>
Remaining combinations	xxxxxxxx	xxxxxxxx	Reserved	These commands are reserved and treated by the device as no operation.

The ADS8355 supports two types of data transfer operations: *data write* (the host controller configures the device), and *data read* (the host controller reads data from the device).

Any data write to the device is always synchronous to the external clock provided on the SCLK pin. The WR_REG command writes the 8-bit data into the 8-bit address specified in the command string. The CLR_BITS command clears the specified bits (identified by 1) at the 8-bit address (without affecting the other bits), and the SET_BITS command sets the specified bits (identified by 1) at the 8-bit address (without affecting the other bits).

图 31 shows the digital waveform for a register read operation. A register read operation consists of two frames: one frame to initiate a register read and a second frame to read data from the register address provided in the first frame. As shown in 图 31, the 8-bit register address and the 8-bit dummy data are sent over the SDI pin during the first 20-bit frame with the read command (0010b). The 20-bit command information is right-aligned with the frame. If a command frame is smaller than 20 bits, the contents of the command are discarded. If a frame has more than 20 bits, the last 20 bits are used to decode the operation. When CS goes from low to high, this read command is decoded and the requested register data are available for reading during the next frame. During the second frame, the first eight bits on SDO_A correspond to the requested register read. During the second frame, SDI can be used to initiate another operation or can be set to 0.

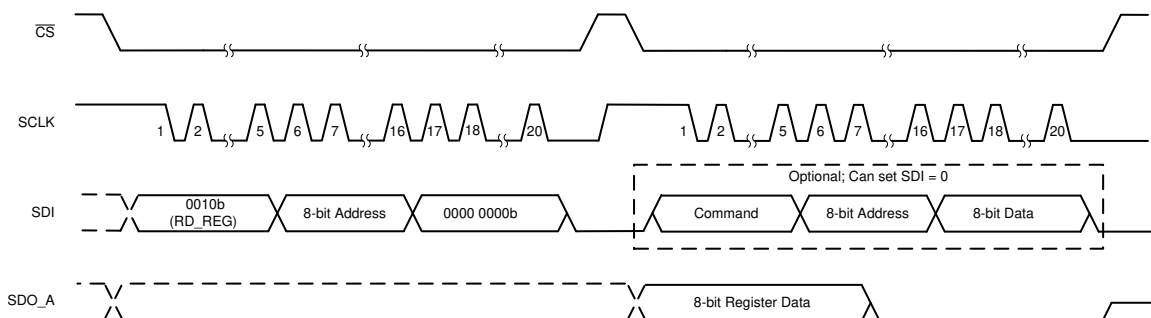
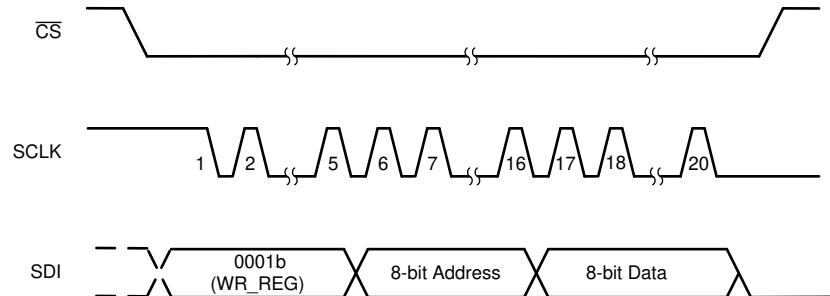


图 31. Register Read Operation

☒ 32 shows that for writing data to the register, one 20-bit frame is required. The frame contents are right-aligned. If a command frame is smaller than 20 bits, the contents of the command are discarded. If a frame has more than 20 bits, the last 20 bits are used to decode the operation. The 20-bit data on SDI consists of a 4-bit write command (0001b), set bit command (0011b), or clear bit command (0100b), an 8-bit register address, and 8-bit data. The write command is decoded on the \overline{CS} rising edge and the specified register is updated with the 8-bit data specified during the register write operation.



☒ 32. Register Write Operation

7.6 Register Map

7.6.1 ADS8355 Registers

Table 5 lists the ADS8355 registers. All register offset addresses not listed in Table 5 should be considered as reserved locations and the register contents should not be modified.

Table 5. ADS8355 Registers

Offset	Acronym	Register Name	Section
4h	PD_STANDBY	Power down configuration register	PD_STANDBY Register (Offset = 4h) [reset = 0h]
5h	PD_KEY	Power down key register	PD_KEY Register (Offset = 5h) [reset = 0h]
Dh	SDO_CTRL	SDO mode selection register	SDO_CTRL Register (Offset = Dh) [reset = 0h]
11h	DATA_OUT_CTRL	Output data format register	DATA_OUT_CTRL Register (Offset = 11h) [reset = 0h]
20h	REF_SEL	ADC reference selection register	REF_SEL Register (Offset = 20h) [reset = 0h]
24h	REFDAC_A_LSB	REFDAC_A configuration register (LSB)	REFDAC_A_LSB Register (Offset = 24h) [reset = 0h]
25h	REFDAC_A_MSB	REFDAC_A configuration register (MSB)	REFDAC_A_MSB Register (Offset = 25h) [reset = 0h]
26h	REFDAC_B_LSB	REFDAC_B configuration register (LSB)	REFDAC_B_LSB Register (Offset = 26h) [reset = 0h]
27h	REFDAC_B_MSB	REFDAC_B configuration register (MSB)	REFDAC_B_MSB Register (Offset = 27h) [reset = 0h]
28h	INPUT_CONFIG	Analog input configuration register	INPUT_CONFIG Register (Offset = 28h) [reset = 0h]

Complex bit access types are encoded to fit into small table cells. Table 6 shows the codes that are used for access types in this section.

Table 6. ADS8355 Access Type Codes

Access Type	Code	Description
Read Type		
R	R	Read
Write Type		
W	W	Write
Reset or Default Value		
-n		Value after reset or the default value
Register Array Variables		

Table 6. ADS8355 Access Type Codes (continued)

Access Type	Code	Description
i,j,k,l,m,n		When these variables are used in a register name, an offset, or an address, they refer to the value of a register array where the register is part of a group of repeating registers. The register groups form a hierarchical structure and the array is represented with a formula.
y		When this variable is used in a register name, an offset, or an address it refers to the value of a register array.

7.6.1.1 PD_STANDBY Register (Offset = 4h) [reset = 0h]

 PD_STANDBY is shown in [Figure 33](#) and described in [Table 7](#).

 Return to the [Summary Table](#).

Power down configuration register

Figure 33. PD_STANDBY Register

7	6	5	4	3	2	1	0
RESERVED				STANDBY		PD_EN	RESERVED
R-00000b				R/W-0b		R/W-0b	R-0b

Table 7. PD_STANDBY Register Field Descriptions

Bit	Field	Type	Reset	Description
7-3	RESERVED	R	00000b	
2	STANDBY	R/W	0b	This bit enables partial powerdown of ADCs and internal oscillator , all other blocks are active 0b = Disable partial power down 1b = Enable partial power down
1	PD_EN	R/W	0b	This bit enables all blocks to powerdown except the interface and IO 0b = Disable power down 1b = Enable power down
0	RESERVED	R	0b	

7.6.1.2 PD_KEY Register (Offset = 5h) [reset = 0h]

 PD_KEY is shown in [Figure 34](#) and described in [Table 8](#).

 Return to the [Summary Table](#).

Power down key register

Figure 34. PD_KEY Register

7	6	5	4	3	2	1	0
RESERVED				PD_WKEY[3:0]			
R-0000b				R/W-0000b			

Table 8. PD_KEY Register Field Descriptions

Bit	Field	Type	Reset	Description
7-4	RESERVED	R	0000b	
3-0	PD_WKEY[3:0]	R/W	0000b	Writing 1001 to these bits enable register write operation to PD_STANDBY register.

7.6.1.3 SDO_CTRL Register (Offset = Dh) [reset = 0h]

SDO_CTRL is shown in Figure 35 and described in Table 9.

Return to the [Summary Table](#).

SDO mode selection register

Figure 35. SDO_CTRL Register

7	6	5	4	3	2	1	0
RESERVED							SDO_MODE
R-0000000b							R/W-0b

Table 9. SDO_CTRL Register Field Descriptions

Bit	Field	Type	Reset	Description
7-1	RESERVED	R	0000000b	
0	SDO_MODE	R/W	0b	This bit selects ADC to output data in either single SDO or Dual SDO mode. 0b = data out on both SDO_A and SDO_B 1b = data out on SDO_A only

7.6.1.4 DATA_OUT_CTRL Register (Offset = 11h) [reset = 0h]

DATA_OUT_CTRL is shown in Figure 36 and described in Table 10.

Return to the [Summary Table](#).

Output data format register

Figure 36. DATA_OUT_CTRL Register

7	6	5	4	3	2	1	0
RESERVED							OP_DATA_FORMAT
R-0000000b							R/W-0b

Table 10. DATA_OUT_CTRL Register Field Descriptions

Bit	Field	Type	Reset	Description
7-1	RESERVED	R	0000000b	
0	OP_DATA_FORMAT	R/W	0b	This bit selects ADC output data format. 0b = Straight Binary format 1b = 2's complements format

7.6.1.5 REF_SEL Register (Offset = 20h) [reset = 0h]

REF_SEL is shown in Figure 37 and described in Table 11.

Return to the [Summary Table](#).

ADC reference selection register

Figure 37. REF_SEL Register

7	6	5	4	3	2	1	0
RESERVED							INT_EXT
R-0000000b							R/W-0b

Table 11. REF_SEL Register Field Descriptions

Bit	Field	Type	Reset	Description
7-1	RESERVED	R	0000000b	
0	INT_EXT	R/W	0b	This bit selects ADC reference source. 0b = Device uses external reference for ADC conversion 1b = Device uses internal reference for ADC conversion

7.6.1.6 REFDAC_A_LSB Register (Offset = 24h) [reset = 0h]

 REFDAC_A_LSB is shown in [Figure 38](#) and described in [Table 12](#).

 Return to the [Summary Table](#).

REFDAC_A configuration register (LSB)

Figure 38. REFDAC_A_LSB Register

7	6	5	4	3	2	1	0
REFDAC_A_LSB[7:0]							
R/W-00000000b							

Table 12. REFDAC_A_LSB Register Field Descriptions

Bit	Field	Type	Reset	Description
7-0	REFDAC_A_LSB[7:0]	R/W	00000000b	Least significant byte to program the REFDAC_A. REFDAC_A_MSB and REFDAC_A_LSB in combination are used to set the internal reference for ADC_A. For 2.5V internal reference, program 0x1FF to REFDAC_A.

7.6.1.7 REFDAC_A_MSB Register (Offset = 25h) [reset = 0h]

 REFDAC_A_MSB is shown in [Figure 39](#) and described in [Table 13](#).

 Return to the [Summary Table](#).

REFDAC_A configuration register (MSB)

Figure 39. REFDAC_A_MSB Register

7	6	5	4	3	2	1	0
RESERVED							REFDAC_A_MSB
R/W-00000000b							

Table 13. REFDAC_A_MSB Register Field Descriptions

Bit	Field	Type	Reset	Description
7-1	RESERVED	R	0000000b	
0	REFDAC_A_MSB	R/W	0b	Most significant bit to program the REFDAC_A. REFDAC_A_MSB and REFDAC_A_LSB in combination are used to set the internal reference for ADC_A. For 2.5V internal reference, program 0x1FF to REFDAC_A.

7.6.1.8 REFDAC_B_LSB Register (Offset = 26h) [reset = 0h]

 REFDAC_B_LSB is shown in [Figure 40](#) and described in [Table 14](#).

 Return to the [Summary Table](#).

REFDAC_B configuration register (LSB)

Figure 40. REFDAC_B_LSB Register

7	6	5	4	3	2	1	0
REFDAC_B_LSB[7:0]							
R/W-0000000b							

Table 14. REFDAC_B_LSB Register Field Descriptions

Bit	Field	Type	Reset	Description
7-0	REFDAC_B_LSB[7:0]	R/W	00000000b	Least significant byte to program the REFDAC_B. REFDAC_B_MSB and REFDAC_B_LSB in combination are used to set the internal reference for ADC_B. For 2.5V internal reference, program 0x1FF to REFDAC_B.

7.6.1.9 REFDAC_B_MSB Register (Offset = 27h) [reset = 0h]

REFDAC_B_MSB is shown in [Figure 41](#) and described in [Table 15](#).

Return to the [Summary Table](#).

REFDACB configuration register (MSB)

Figure 41. REFDAC_B_MSB Register

7	6	5	4	3	2	1	0
RESERVED							REFDAC_B_MSB
R/W-0000000b							

Table 15. REFDAC_B_MSB Register Field Descriptions

Bit	Field	Type	Reset	Description
7-1	RESERVED	R	0000000b	
0	REFDAC_B_MSB	R/W	0b	Most significant bit to program the REFDAC_B. REFDAC_B_MSB and REFDAC_B_LSB in combination are used to set the internal reference for ADC_B. For 2.5V internal reference, program 0x1FF to REFDAC_B.

7.6.1.10 INPUT_CONFIG Register (Offset = 28h) [reset = 0h]

INPUT_CONFIG is shown in [Figure 42](#) and described in [Table 16](#).

Return to the [Summary Table](#).

Analog input configuration register

Figure 42. INPUT_CONFIG Register

7	6	5	4	3	2	1	0
RESERVED						RANGE_SEL	AINM_SEL
R-000000b						R/W-0b	R/W-0b

Table 16. INPUT_CONFIG Register Field Descriptions

Bit	Field	Type	Reset	Description
7-2	RESERVED	R	000000b	
1	RANGE_SEL	R/W	0b	This bit selects ADC input full scale range 0b = ADC operates with full scale range of 0 to V _{REF} 1b = ADC operates with full scale range of 0 to 2 X V _{REF}

Table 16. INPUT_CONFIG Register Field Descriptions (continued)

Bit	Field	Type	Reset	Description
0	AINM_SEL	R/W	0b	This bit selects ADC input configuration 0b = ADC operates in single-ended configuration. AINM pin must be connected to GND potential. 1b = ADC operates in pseudo-differential configuration. AINM pin must be connected to FSR / 2 potential.

8 Application and Implementation

注

Information in the following applications sections is not part of the TI component specification, and TI does not warrant its accuracy or completeness. TI's customers are responsible for determining suitability of components for their purposes. Customers should validate and test their design implementation to confirm system functionality.

8.1 Application Information

The two primary circuits required to maximize the performance of a high-precision, successive approximation register (SAR), analog-to-digital converter (ADC) are the input driver and the reference driver circuits. This section details some general principles for designing these circuits, and some application circuits designed using these devices.

The device supports operation either with an internal or external reference source. See the [Reference](#) section for details about the decoupling requirements.

The reference source to the ADC must provide low-drift and very accurate DC voltage and support the dynamic charge requirements without affecting the noise and linearity performance of the device. The output broadband noise (typically in the order of a few 100 μV_{RMS}) of the reference source must be appropriately filtered by using a low-pass filter with a cutoff frequency of a few hundred hertz. After band-limiting the noise from the reference source, the next important step is to design a reference buffer that can drive the dynamic load posed by the reference input of the ADC. At the start of each conversion, the reference buffer must regulate the voltage of the reference pin within 1 LSB of the intended value. This condition necessitates the use of a large filter capacitor at the reference pin of the ADC. The amplifier selected to drive the reference input pin must be stable while driving this large capacitor and must have low output impedance, low offset, and temperature drift specifications. To reduce the dynamic current requirements and crosstalk between the channels, a separate reference buffer is recommended for driving the reference input of each ADC channel.

The input driver circuit for a high-precision ADC mainly consists of two parts: a driving amplifier and a fly-wheel RC filter. The amplifier is used for signal conditioning of the input voltage and its low output impedance provides a buffer between the signal source and the switched capacitor inputs of the ADC. The RC filter helps attenuate the sampling charge injection from the switched-capacitor input stage of the ADC and functions as a charge kickback filter to band-limit the wideband noise contributed by the front-end circuit. Careful design of the front-end circuit is critical to meet the linearity and noise performance of a high-precision ADC.

8.1.1 Input Amplifier Selection

Selection criteria for the input amplifiers is highly dependent on the input signal type and the performance goals of the data acquisition system. Some key amplifier specifications to consider when selecting an appropriate amplifier to drive the inputs of the ADC are:

- **Small-signal bandwidth.** Select the small-signal bandwidth of the input amplifiers to be as high as possible after meeting the power budget of the system. Higher bandwidth reduces the closed-loop output impedance of the amplifier, thus allowing the amplifier to more easily drive the low cutoff frequency RC filter at the ADC inputs. Higher bandwidth also minimizes the harmonic distortion at higher input frequencies. Select the amplifier bandwidth as described in [式 6](#) to maintain the overall stability of the input driver circuit:

$$\text{Unity - Gain Bandwidth} \geq 4 \times \left(\frac{1}{2\pi \times (R_{FLT} + R_{FLT}) \times C_{FLT}} \right) \quad (6)$$

Application Information (continued)

- **Noise.** Noise contribution of the front-end amplifiers must be as low as possible to prevent any degradation in SNR performance of the system. As a rule of thumb, to ensure that the noise performance of the data acquisition system is not limited by the front-end circuit, keep the total noise contribution from the front-end circuit below 20% of the input-referred noise of the ADC. 式 7 calculates noise from the input driver circuit. This noise is band-limited by designing a low cutoff frequency RC filter:

$$N_G \times \sqrt{2} \times \sqrt{\left(\frac{V_{1/f_AMP_PP}}{6.6}\right)^2 + e_{n_RMS}^2 \times \frac{\pi}{2} \times f_{-3dB}} \leq \frac{1}{5} \times \frac{V_{REF}}{\sqrt{2}} \times 10^{-\left(\frac{SNR(dB)}{20}\right)}$$

where:

- V_{1/f_AMP_PP} = the peak-to-peak flicker noise in μV
- e_{n_RMS} = the amplifier broadband noise density in nV/\sqrt{Hz}
- f_{-3dB} = the 3-dB bandwidth of the RC filter
- N_G = the noise gain of the front-end circuit, which is equal to 1 in a buffer configuration (7)
- **Distortion.** Both the ADC and the input driver introduce nonlinearity in a data acquisition block. As a rule of thumb, the distortion of the input driver must be at least 10 dB lower than the distortion of the ADC, as shown in 式 8, to ensure that the distortion performance of the data acquisition system is not limited by the front-end circuit.

$$THD_{AMP} \leq THD_{ADC} - 10 \text{ (dB)} \quad (8)$$

- **Settling Time.** For DC signals with fast transients that are common in a multiplexed application, the input signal must settle to the desired accuracy at the inputs of the ADC during the acquisition time window. This condition is critical to maintain the overall linearity performance of the ADC. Typically, the amplifier data sheets specify the output settling performance only up to 0.1% to 0.001%, which may not be sufficient for the desired accuracy. Therefore, always verify the settling behavior of the input driver with TINA™-SPICE simulations before selecting the amplifier.

8.1.2 Charge Kickback Filter

Converting analog-to-digital signals requires sampling an input signal at a constant rate. Any higher frequency content in the input signal beyond half the sampling frequency is digitized and folded back into the low-frequency spectrum. This process is called *aliasing*. Therefore, an analog, charge kickback filter must be used to remove the harmonic content from the input signal before being sampled by the ADC. A charge kickback filter is designed as a low-pass, RC filter, for which the 3-dB bandwidth is optimized based on specific application requirements. For DC signals with fast transients (including multiplexed input signals), a high-bandwidth filter is designed to allow accurately settling the signal at the ADC inputs during the small acquisition time window. For AC signals, keep the filter bandwidth low to band-limit the noise fed into the ADC input, thereby increasing the signal-to-noise ratio (SNR) of the system.

A filter capacitor, C_{FLT} , connected across the ADC inputs (see 图 43), filters the noise from the front-end drive circuitry, reduces the sampling charge injection, and provides a charge bucket to quickly charge the internal sample-and-hold capacitors during the acquisition process. As a rule of thumb, the value of this capacitor must be at least 10 times the specified value of the ADC sampling capacitance. For these devices, the input sampling capacitance is equal to 40 pF. Thus, the value of C_{FLT} must be greater than 400 pF. The capacitor must be a COG- or NPO-type because these capacitor types have a high-Q, low-temperature coefficient, and stable electrical characteristics under varying voltages, frequency, and time.

Application Information (continued)

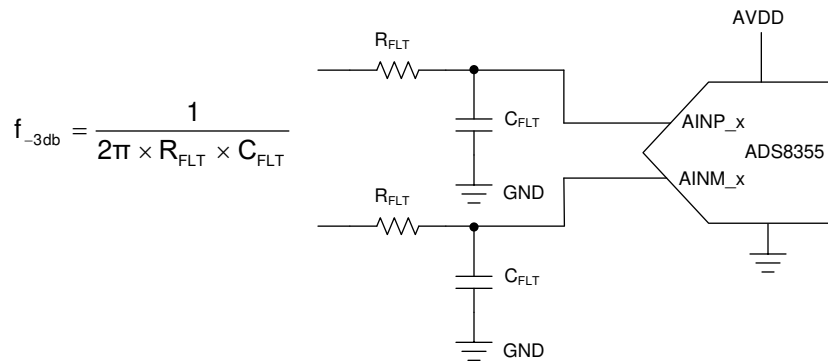
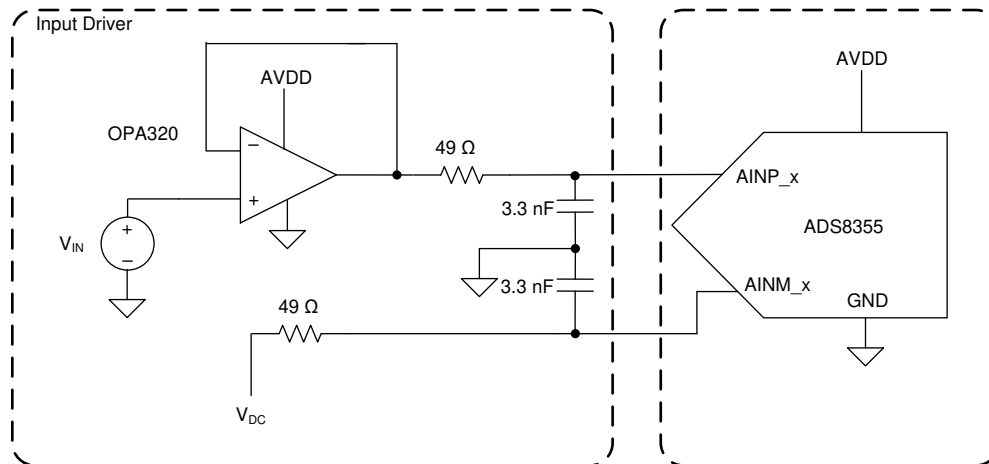


Figure 43. Charge Kickback Filter

Driving capacitive loads can degrade the phase margin of the input amplifiers, thus making the amplifier marginally unstable. To avoid amplifier stability issues, series isolation resistors (R_{FLT}) are used at the output of the amplifiers. A higher value of R_{FLT} is helpful from the amplifier stability perspective, but adds distortion as a result of interactions with the nonlinear input impedance of the ADC. Distortion increases with source impedance, input signal frequency, and input signal amplitude. Therefore, the selection of R_{FLT} requires balancing the stability and distortion of the design. For more information on ADC input R-C filter component selection, see the [TI Precision Labs](#) on [ti.com](#).

8.2 Typical Application



NOTE: Only one ADC channel is shown in this diagram. Replicate the same circuit for the other ADC channel.

Figure 44. DAQ Circuit: Maximum SINAD for a 10-kHz Input Signal at Full Throughput

Typical Application (continued)

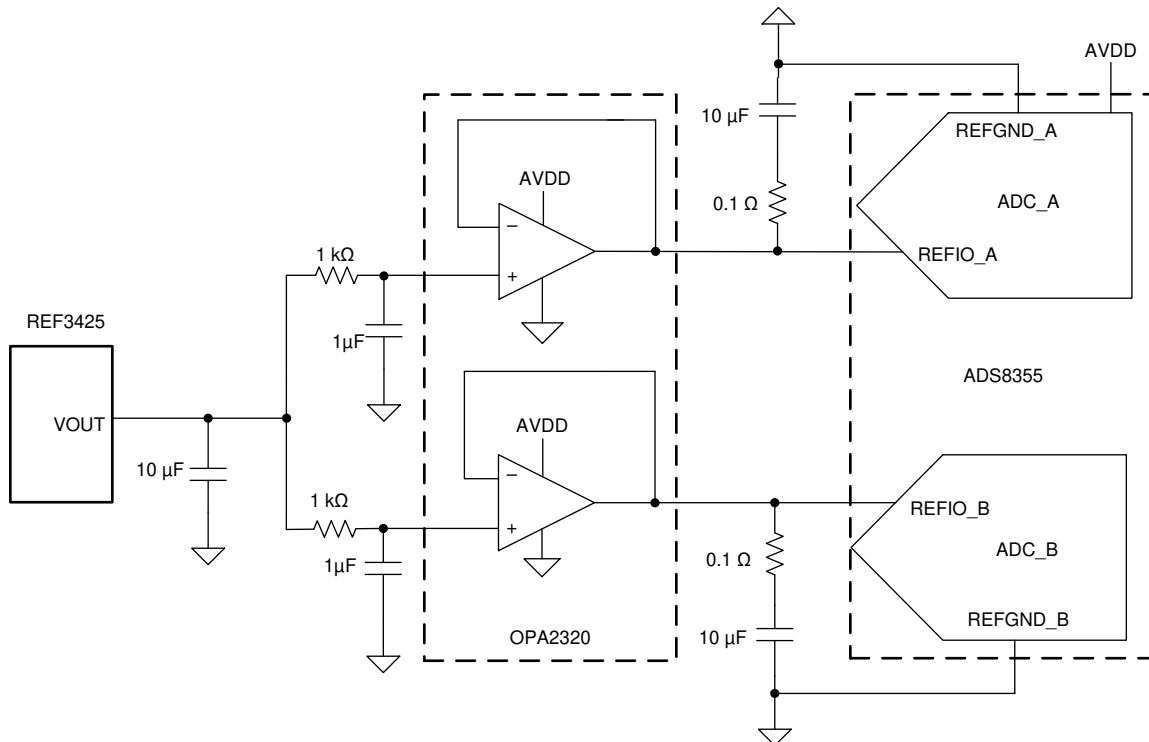


图 45. Reference Drive Circuit

8.2.1 Design Requirements

表 17 lists the target specifications for this application.

表 17. Target Specifications

TARGET SPECIFICATIONS	TEST CONDITIONS
> 83-dB SNR, < -95-dB THD	10-kHz input signal frequency, 1-MSPS throughput

8.2.2 Detailed Design Procedure

Best practice is for the distortion from the input driver to be at least 10 dB less than the ADC distortion. The distortion resulting from variation in the common-mode signal is eliminated by using the amplifier in an inverting gain configuration that establishes a fixed common-mode level for the circuit. This configuration also eliminates the requirement of rail-to-rail swing at the amplifier input. The low-power OPA320, used as an input driver, provides exceptional AC performance because of its extremely low-distortion and high-bandwidth specifications. In addition, the components of the antialiasing filter are such that the noise from the front-end circuit is kept low without adding distortion to the input signal.

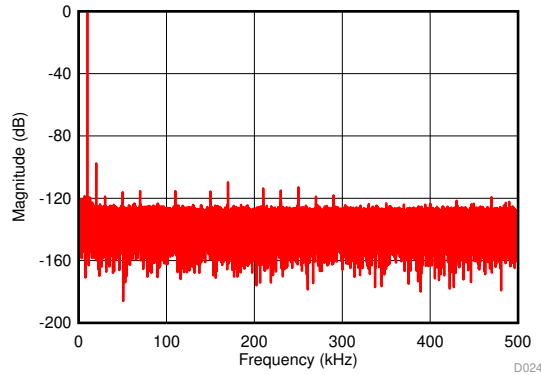
The application circuit illustrated in 图 44 is optimized to achieve the lowest distortion and lowest noise for a 10-kHz input signal fed to the ADS8355 operating at full throughput with the default dual-SDO interface mode. The input signal is processed through a high-bandwidth, low-distortion amplifier in an inverting gain configuration and a low-pass RC filter before being fed into the device.

图 45 illustrates the reference driver circuit when operation with an external reference is desired. The reference voltage is generated by the high-precision, low-noise REF3425 circuit. The output broadband noise of the reference is heavily filtered by a low-pass filter with a 3-dB cutoff frequency of 160 Hz. The decoupling capacitor on each reference pin is selected to be 10 µF. The low output impedance, low noise, and fast settling time make the OPA2320 a good choice for driving this high capacitive load.

8.2.3 Application Curve

To minimize external components and to maximize the dynamic range of the ADC, the device is configured to operate with an internal reference (REF_SEL register, INT_EXT bit = 1) and a $2 \times V_{REF_X}$ input full-scale range (INPUT_CONFIG register, RANGE_SEL bit = 1). The REFDAC_x registers are programmed to 0x1FFh to program the internal reference to 2.5 V.

Figure 46 shows the FFT plot and test result obtained with the ADS8355 operating at full throughput with a dual-SDO interface and the circuit configuration of Figure 44.



SNR = 86.38 dB, THD = -97.24 dB, $f_{IN} = 10$ kHz

Figure 46. The ADS8355 in Dual-SDO Interface Mode

9 Power Supply Recommendations

The device has two separate power supplies: AVDD and DVDD. The device operates on AVDD; DVDD is used for the interface circuits. AVDD and DVDD can be independently set to any value within the permissible ranges.

When using the device with the $2 \times V_{REF}$ input range (INPUT_CONFIG register, RANGE_SEL bit = 1), the AVDD supply voltage value defines the permissible voltage swing on the analog input pins. AVDD must be set as described in 式 3 and 式 4 to avoid saturation of output codes and to use the full dynamic range on the analog input pins.

Decouple the AVDD and DVDD pins, as shown in 图 47, with the GND pin using individual 10- μ F decoupling capacitors.

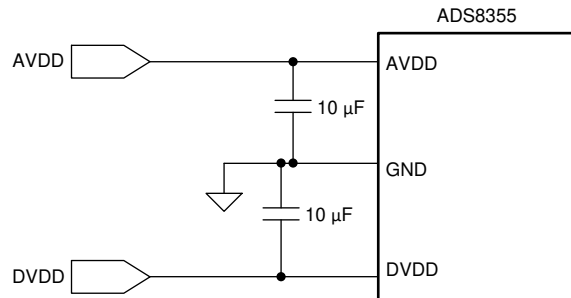


图 47. Power-Supply Decoupling

10 Layout

10.1 Layout Guidelines

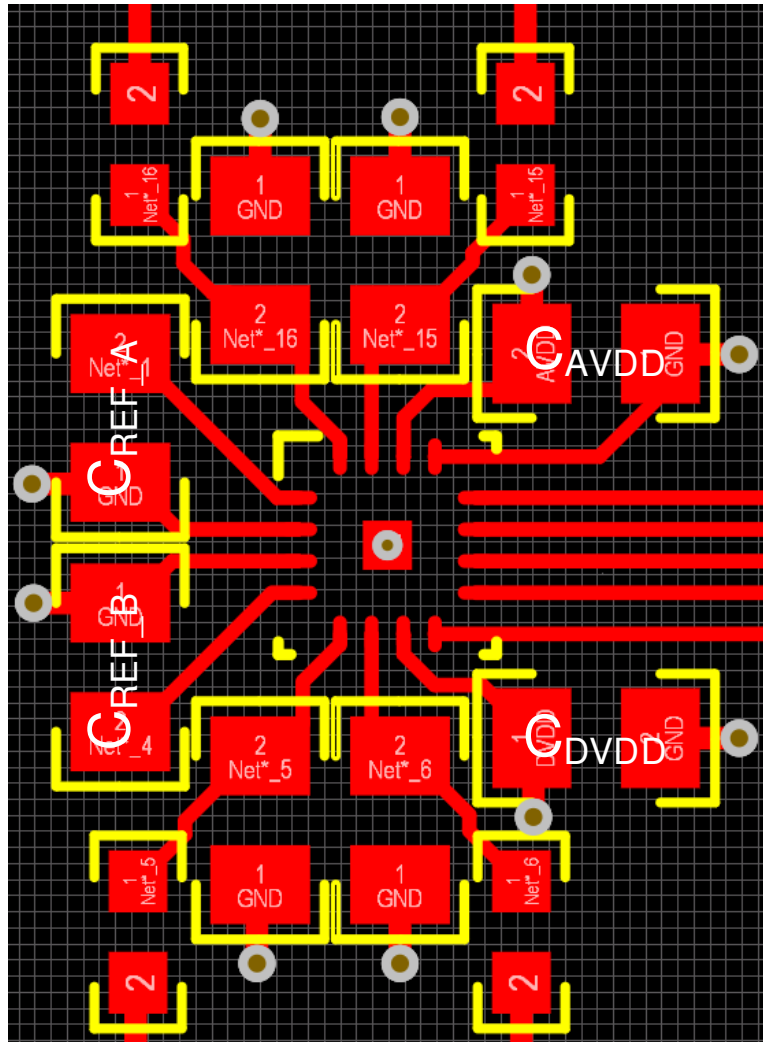
图 48 provides a board layout example for the device WQFN package. Partition the printed circuit board (PCB) into analog and digital sections. Avoid crossing digital lines with the analog signal path and keep the analog input signals and the reference input signals away from noise sources. As illustrated in 图 48, the analog input and reference signals are routed on the left side of the board and the digital connections are routed on the right side of the device.

The power sources to the device must be clean and well-bypassed. Use 10- μ F, ceramic bypass capacitors in close proximity to the analog (AVDD) and digital (DVDD) power-supply pins. Avoid placing vias between the AVDD and DVDD pins and the bypass capacitors. Connect all ground pins to the ground plane using short, low impedance paths.

The REFIO_A and REFIO_B reference inputs and outputs are bypassed with 10- μ F, X7R-grade, 0805-size, 16-V rated ceramic capacitors (C_{REF_x}). Place the reference bypass capacitors as close as possible to the reference REFIO_x pins and connect the bypass capacitors using short, low-inductance connections. Avoid placing vias between the REFIO_x pins and the bypass capacitors.

The fly-wheel RC filters are placed immediately next to the input pins. Among ceramic surface-mount capacitors, COG (NPO) ceramic capacitors provide the best capacitance precision. The type of dielectric used in COG (NPO) ceramic capacitors provides the most stable electrical properties over voltage, frequency, and temperature changes.

10.2 Layout Example



☒ 48. Recommended Layout

11 デバイスおよびドキュメントのサポート

11.1 デバイス・サポート

11.1.1 開発サポート

テキサス・インスツルメンツ、[TI プレシジョン・ラボ](#)

11.2 ドキュメントのサポート

11.2.1 関連資料

関連資料については、以下を参照してください。

- テキサス・インスツルメンツ、[『OPAx320x 高精度、20MHz、0.9pA、低ノイズ、RRIO、シャットダウン搭載のCMOSオペアンプ』データシート](#)
- テキサス・インスツルメンツ、[『REF34xx 低ドリフト、低消費電力、小型のシリーズ電圧リファレンス』データシート](#)

11.3 ドキュメントの更新通知を受け取る方法

ドキュメントの更新についての通知を受け取るには、[ti.com](#)のデバイス製品フォルダを開いてください。右上の「アラートを受け取る」をクリックして登録すると、変更されたすべての製品情報に関するダイジェストを毎週受け取れます。変更の詳細については、修正されたドキュメントに含まれている改訂履歴をご覧ください。

11.4 コミュニティ・リソース

[TI E2E™ support forums](#) are an engineer's go-to source for fast, verified answers and design help — straight from the experts. Search existing answers or ask your own question to get the quick design help you need.

Linked content is provided "AS IS" by the respective contributors. They do not constitute TI specifications and do not necessarily reflect TI's views; see TI's [Terms of Use](#).

11.5 商標

TINA, E2E are trademarks of Texas Instruments.
All other trademarks are the property of their respective owners.

11.6 静電気放電に関する注意事項



これらのデバイスは、限定的なESD（静電破壊）保護機能を内蔵しています。保存時または取り扱い時は、MOSゲートに対する静電破壊を防止するために、リード線同士をショートさせておくか、デバイスを導電フォームに入れる必要があります。

11.7 Glossary

[SLYZ022](#) — *TI Glossary*.

This glossary lists and explains terms, acronyms, and definitions.

12 メカニカル、パッケージ、および注文情報

以降のページには、メカニカル、パッケージ、および注文に関する情報が記載されています。この情報は、そのデバイスについて利用可能な最新のデータです。このデータは予告なく変更されることがあり、ドキュメントが改訂される場合もあります。本データシートのブラウザ版を使用されている場合は、画面左側の説明をご覧ください。

PACKAGING INFORMATION

Orderable Device	Status (1)	Package Type	Package Drawing	Pins	Package Qty	Eco Plan (2)	Lead finish/ Ball material (6)	MSL Peak Temp (3)	Op Temp (°C)	Device Marking (4/5)	Samples
ADS8355IRTER	ACTIVE	WQFN	RTE	16	3000	RoHS & Green	NIPDAU	Level-2-260C-1 YEAR	-40 to 125	8355	Samples
ADS8355IRTET	ACTIVE	WQFN	RTE	16	250	RoHS & Green	NIPDAU	Level-2-260C-1 YEAR	-40 to 125	8355	Samples

(1) The marketing status values are defined as follows:

ACTIVE: Product device recommended for new designs.

LIFEBUY: TI has announced that the device will be discontinued, and a lifetime-buy period is in effect.

NRND: Not recommended for new designs. Device is in production to support existing customers, but TI does not recommend using this part in a new design.

PREVIEW: Device has been announced but is not in production. Samples may or may not be available.

OBSOLETE: TI has discontinued the production of the device.

(2) **RoHS:** TI defines "RoHS" to mean semiconductor products that are compliant with the current EU RoHS requirements for all 10 RoHS substances, including the requirement that RoHS substance do not exceed 0.1% by weight in homogeneous materials. Where designed to be soldered at high temperatures, "RoHS" products are suitable for use in specified lead-free processes. TI may reference these types of products as "Pb-Free".

RoHS Exempt: TI defines "RoHS Exempt" to mean products that contain lead but are compliant with EU RoHS pursuant to a specific EU RoHS exemption.

Green: TI defines "Green" to mean the content of Chlorine (Cl) and Bromine (Br) based flame retardants meet JS709B low halogen requirements of <=1000ppm threshold. Antimony trioxide based flame retardants must also meet the <=1000ppm threshold requirement.

(3) MSL, Peak Temp. - The Moisture Sensitivity Level rating according to the JEDEC industry standard classifications, and peak solder temperature.

(4) There may be additional marking, which relates to the logo, the lot trace code information, or the environmental category on the device.

(5) Multiple Device Markings will be inside parentheses. Only one Device Marking contained in parentheses and separated by a "~" will appear on a device. If a line is indented then it is a continuation of the previous line and the two combined represent the entire Device Marking for that device.

(6) Lead finish/Ball material - Orderable Devices may have multiple material finish options. Finish options are separated by a vertical ruled line. Lead finish/Ball material values may wrap to two lines if the finish value exceeds the maximum column width.

Important Information and Disclaimer:The information provided on this page represents TI's knowledge and belief as of the date that it is provided. TI bases its knowledge and belief on information provided by third parties, and makes no representation or warranty as to the accuracy of such information. Efforts are underway to better integrate information from third parties. TI has taken and continues to take reasonable steps to provide representative and accurate information but may not have conducted destructive testing or chemical analysis on incoming materials and chemicals. TI and TI suppliers consider certain information to be proprietary, and thus CAS numbers and other limited information may not be available for release.

In no event shall TI's liability arising out of such information exceed the total purchase price of the TI part(s) at issue in this document sold by TI to Customer on an annual basis.

TAPE AND REEL INFORMATION

QUADRANT ASSIGNMENTS FOR PIN 1 ORIENTATION IN TAPE


*All dimensions are nominal

Device	Package Type	Package Drawing	Pins	SPQ	Reel Diameter (mm)	Reel Width W1 (mm)	A0 (mm)	B0 (mm)	K0 (mm)	P1 (mm)	W (mm)	Pin1 Quadrant
ADS8355IRTER	WQFN	RTE	16	3000	330.0	12.4	3.3	3.3	1.1	8.0	12.0	Q2

TAPE AND REEL BOX DIMENSIONS


*All dimensions are nominal

Device	Package Type	Package Drawing	Pins	SPQ	Length (mm)	Width (mm)	Height (mm)
ADS8355IRTER	WQFN	RTE	16	3000	350.0	350.0	43.0

GENERIC PACKAGE VIEW

RTE 16

WQFN - 0.8 mm max height

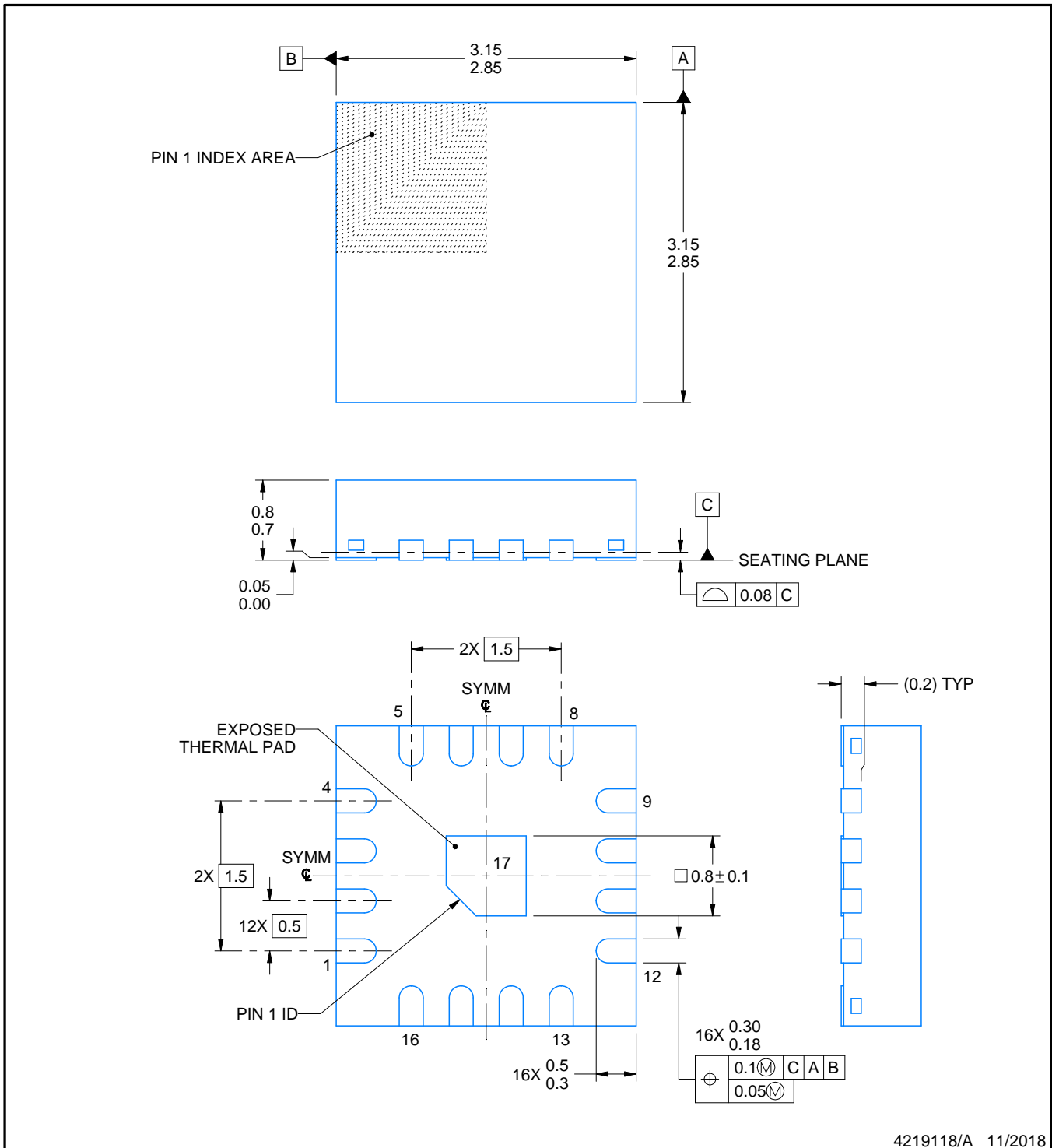
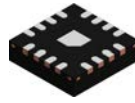
3 x 3, 0.5 mm pitch

PLASTIC QUAD FLATPACK - NO LEAD

This image is a representation of the package family, actual package may vary.
Refer to the product data sheet for package details.



4225944/A



4219118/A 11/2018

NOTES:

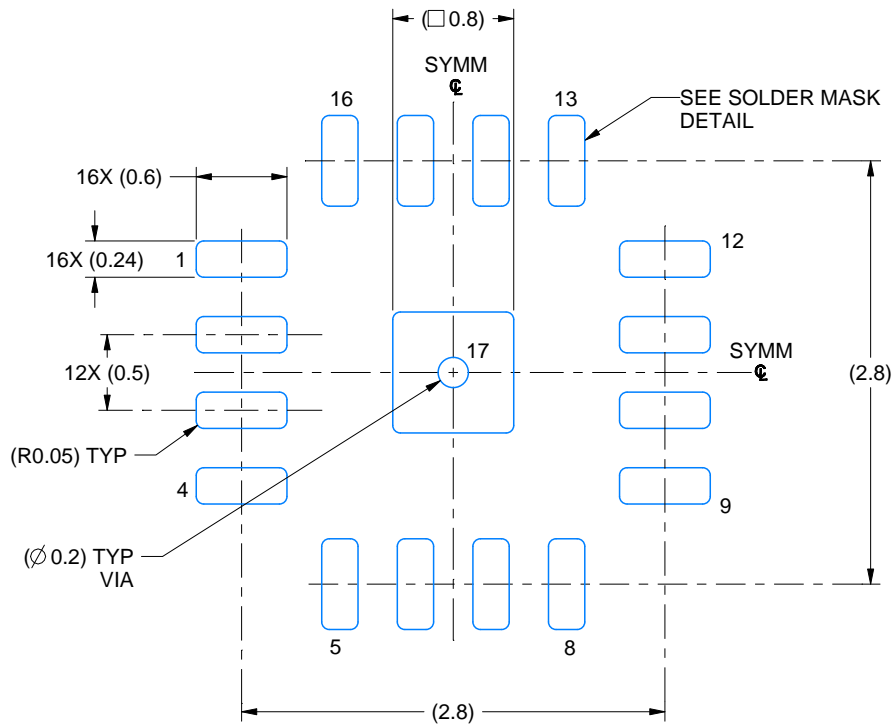
1. All linear dimensions are in millimeters. Any dimensions in parenthesis are for reference only. Dimensioning and tolerancing per ASME Y14.5M.
2. This drawing is subject to change without notice.
3. The package thermal pad must be soldered to the printed circuit board for thermal and mechanical performance.

EXAMPLE BOARD LAYOUT

RTE0016D

WQFN - 0.8 mm max height

PLASTIC QUAD FLATPACK - NO LEAD



LAND PATTERN EXAMPLE
EXPOSED METAL SHOWN
SCALE: 20X



4219118/A 11/2018

NOTES: (continued)

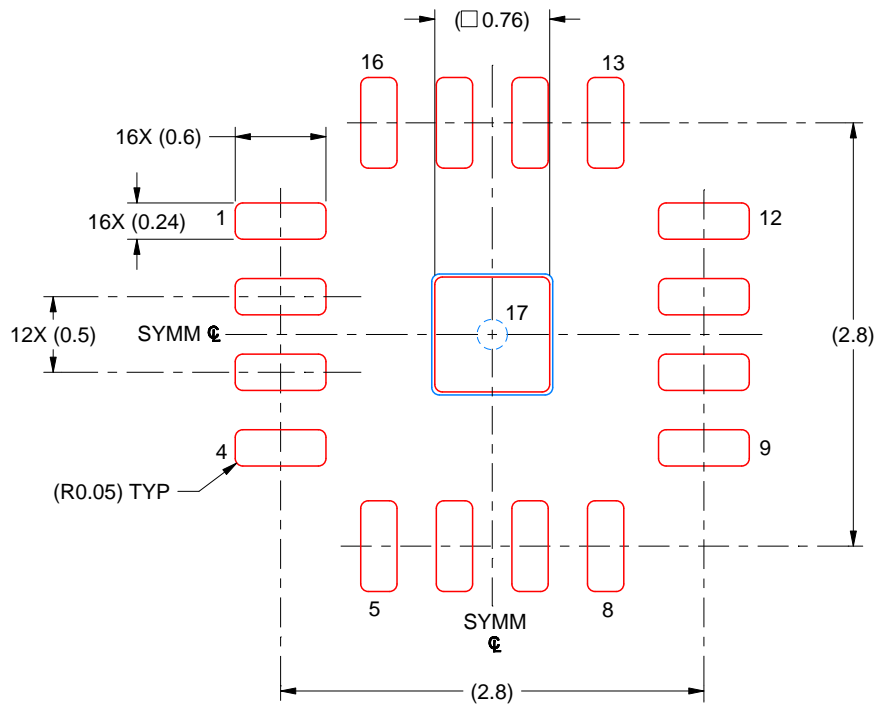
4. This package is designed to be soldered to a thermal pad on the board. For more information, see Texas Instruments literature number SLUA271 (www.ti.com/lit/sluea271).
5. Vias are optional depending on application, refer to device data sheet. If any vias are implemented, refer to their locations shown on this view. It is recommended that vias under paste be filled, plugged or tented.

EXAMPLE STENCIL DESIGN

RTE0016D

WQFN - 0.8 mm max height

PLASTIC QUAD FLATPACK - NO LEAD



SOLDER PASTE EXAMPLE
BASED ON 0.125 MM THICK STENCIL
SCALE: 20X

EXPOSED PAD 17
90% PRINTED SOLDER COVERAGE BY AREA UNDER PACKAGE

4219118/A 11/2018

NOTES: (continued)

6. Laser cutting apertures with trapezoidal walls and rounded corners may offer better paste release. IPC-7525 may have alternate design recommendations.

重要なお知らせと免責事項

TI は、技術データと信頼性データ(データシートを含みます)、設計リソース(リファレンス・デザインを含みます)、アプリケーションや設計に関する各種アドバイス、Web ツール、安全性情報、その他のリソースを、欠陥が存在する可能性のある「現状のまま」提供しており、商品性および特定目的に対する適合性の黙示保証、第三者の知的財産権の非侵害保証を含むいかなる保証も、明示的または黙示的にかかわらず拒否します。

これらのリソースは、TI 製品を使用する設計の経験を積んだ開発者への提供を意図したものです。(1) お客様のアプリケーションに適した TI 製品の選定、(2) お客様のアプリケーションの設計、検証、試験、(3) お客様のアプリケーションに該当する各種規格や、その他のあらゆる安全性、セキュリティ、規制、または他の要件への確実な適合に関する責任を、お客様のみが単独で負うものとし、

上記の各種リソースは、予告なく変更される可能性があります。これらのリソースは、リソースで説明されている TI 製品を使用するアプリケーションの開発の目的でのみ、TI はその使用をお客様に許諾します。これらのリソースに関して、他の目的で複製することや掲載することは禁止されています。TI や第三者の知的財産権のライセンスが付与されている訳ではありません。お客様は、これらのリソースを自身で使用した結果発生するあらゆる申し立て、損害、費用、損失、責任について、TI およびその代理人を完全に補償するものとし、TI は一切の責任を拒否します。

TI の製品は、[TI の販売条件](#)、または [ti.com](https://www.ti.com) やかかる TI 製品の関連資料などのいずれかを通じて提供する適用可能な条項の下で提供されています。TI がこれらのリソースを提供することは、適用される TI の保証または他の保証の放棄の拡大や変更を意味するものではありません。

お客様がいかなる追加条項または代替条項を提案した場合でも、TI はそれらに異議を唱え、拒否します。

郵送先住所：Texas Instruments, Post Office Box 655303, Dallas, Texas 75265

Copyright © 2022, Texas Instruments Incorporated