

# DAC7811 12ビット、シリアル入力、乗算型デジタル/アナログ・コンバータ

## 1 特長

- 2.7V~5.5V電源での動作
- 50MHzのシリアル・インターフェイス
- 10MHzの乗算帯域幅
- $\pm 15V$ の基準入力
- 低いグリッチ電力: 5nV-s
- 拡張温度範囲:  
-40°C~+125°C
- 10ピンのVSSOPパッケージ
- 12ビット単調
- 4象限の乗算
- パワーオン・リセットとブラウンアウト検出
- デイジー・チェーン・モード
- リードバック機能
- 業界標準のピン配置

## 2 アプリケーション

- 携帯型のバッテリー駆動計測機器
- 波形生成器
- アナログ処理
- プログラム可能なアンプおよびアッテネータ
- デジタル制御較正
- プログラム可能なフィルタおよび発振器
- コンポジット・ビデオ
- 超音波

## 3 概要

DAC7811はCMOS、12ビットの電流出力デジタル/アナログ・コンバータ(DAC)です。このデバイスは2.7V~5.5Vの電源で動作するため、バッテリー駆動および他の多くのアプリケーションに適しています。

このDACは、ダブル・バッファされた3線式シリアル・インターフェイスを使用しており、SPI、QSPI™、MICROWIRE、およびほとんどのDSPインターフェイス標準と互換性があります。さらに、複数のデバイスを使用するときは、シリアルデータ出力ピン(SDO)によりデイジー・チェーン接続が可能です。データのリードバック機能により、ユーザーはSDOピンからDACレジスタの内容を読み出すことができます。電源オン時には、内部のシフト・レジスタとラッチに0が書き込まれ、DAC出力はゼロスケールに設定されます。

DAC7811は非常に優れた4象限乗算特性を持ち、10MHzの信号乗算帯域幅があります。フルスケール出力電流は、印加される外部基準入力電圧( $V_{REF}$ )により決定されます。内蔵の帰還抵抗( $R_{FB}$ )を外部の高精度電流電圧変換アンプと組み合わせると、温度トラッキングおよびフルスケール電圧出力が可能になります。

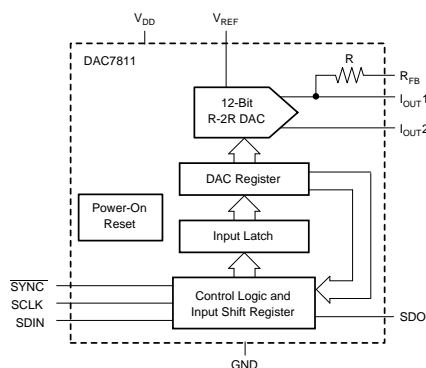
DAC7811は10リードのVSSOPパッケージで供給されます。

### 製品情報<sup>(1)</sup>

型番	パッケージ	本体サイズ(公称)
DAC7811	VSSOP (10)	3.00mmx3.00mm

(1) 利用可能なすべてのパッケージについては、このデータシートの末尾にあるパッケージ・オプションについての付録を参照してください。

### ブロック図



Copyright © 2016, Texas Instruments Incorporated



## 目次

1	特長 .....	1	7.4	Device Functional Modes .....	12
2	アプリケーション .....	1	<b>8</b>	<b>Application and Implementation</b> .....	<b>15</b>
3	概要 .....	1	8.1	Application Information .....	15
4	改訂履歴 .....	2	8.2	Typical Application .....	19
<b>5</b>	<b>Pin Configuration and Functions</b> .....	<b>3</b>	<b>9</b>	<b>Power Supply Recommendations</b> .....	<b>20</b>
<b>6</b>	<b>Specifications</b> .....	<b>4</b>	<b>10</b>	<b>Layout</b> .....	<b>21</b>
6.1	Absolute Maximum Ratings .....	4	10.1	Layout Guidelines .....	21
6.2	ESD Ratings .....	4	10.2	Layout Example .....	21
6.3	Recommended Operating Conditions .....	4	<b>11</b>	<b>デバイスおよびドキュメントのサポート</b> .....	<b>22</b>
6.4	Thermal Information .....	4	11.1	ドキュメントのサポート .....	22
6.5	Electrical Characteristics .....	5	11.2	ドキュメントの更新通知を受け取る方法 .....	22
6.6	Typical Characteristics: $V_{DD} = 5\text{ V}$ .....	6	11.3	コミュニティ・リソース .....	22
6.7	Typical Characteristics: $V_{DD} = 2.7\text{ V}$ .....	9	11.4	商標 .....	22
<b>7</b>	<b>Detailed Description</b> .....	<b>11</b>	11.5	静電気放電に関する注意事項 .....	22
7.1	Overview .....	11	11.6	Glossary .....	22
7.2	Functional Block Diagram .....	11	<b>12</b>	<b>メカニカル、パッケージ、および注文情報</b> .....	<b>22</b>
7.3	Feature Description .....	11			

## 4 改訂履歴

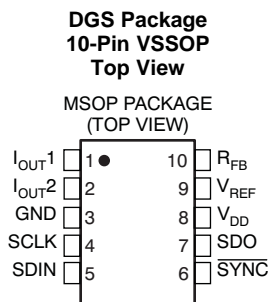
資料番号末尾の英字は改訂を表しています。その改訂履歴は英語版に準じています。

Revision D (March 2016) から Revision E に変更	Page
• Changed Figure 28 SDO pin timing to remove Hi-Z .....	14

Revision C (July 2007) から Revision D に変更	Page
• 「ESD定格」表、「機能説明」セクション、「デバイスの機能モード」セクション、「アプリケーションと実装」セクション、「電源に関する推奨事項」セクション、「レイアウト」セクション、「デバイスおよびドキュメントのサポート」セクション、「メカニカル、パッケージ、および注文情報」セクション 追加 .....	1

## 5 Pin Configuration and Functions



### Pin Functions

PIN		TYPE	DESCRIPTION
NO.	NAME		
1	I <sub>OUT1</sub>	O	DAC Current Output
2	I <sub>OUT2</sub>	O	DAC Analog Ground. This pin is normally tied to the analog ground of the system.
3	GND	G	Ground pin.
4	SCLK	I	Serial Clock Input. By default, data is clocked into the input shift register on the falling edge of the serial clock input. Alternatively, by means of the serial control bits, the device may be configured such that data is clocked into the shift register on the rising edge of SCLK.
5	SDIN	I	Serial Data Input. Data is clocked into the 16-bit input register on the active edge of the serial clock input. By default, on power-up, data is clocked into the shift register on the falling edge of SCLK. The control bits allow the user to change the active edge to the rising edge.
6	$\overline{\text{SYNC}}$	I	Active Low Control Input. This is the frame synchronization signal for the input data. When $\overline{\text{SYNC}}$ goes low, it powers on the SCLK and DIN buffers, and the input shift register is enabled. Data is loaded to the shift register on the active edge of the following clocks (power-on default is falling clock edge). In stand-alone mode, the serial interface counts the clocks and data is latched to the shift register on the 16th active clock edge.
7	SDO	O	Serial Data Output. This allows a number of parts to be daisy-chained. By default, data is clocked into the shift register on the falling edge and out via SDO on the rising edge of SCLK. Data will always be clocked out on the alternate edge to loading data to the shift register. Writing the Readback control word to the shift register makes the DAC register contents available for readback on the SDO pin, clocked out on the opposite edges to the active clock edge.
8	V <sub>DD</sub>	I	Positive Power Supply Input. These parts can be operated from a supply of 2.7 V to 5.5 V.
9	V <sub>REF</sub>	I	DAC Reference Voltage Input
10	R <sub>FB</sub>	O	DAC Feedback Resistor pin. Establish voltage output for the DAC by connecting to external amplifier output.

## 6 Specifications

### 6.1 Absolute Maximum Ratings

over operating free-air temperature range (unless otherwise noted)<sup>(1)</sup>

	MIN	MAX	UNIT
V <sub>DD</sub> to GND	-0.3	7	V
Digital input voltage to GND	-0.3	V <sub>DD</sub> + 0.3	V
I <sub>OUT1</sub> , I <sub>OUT2</sub> to GND	-0.3	V <sub>DD</sub> + 0.3	V
Operating temperature	-40	125	°C
Junction temperature, (T <sub>J</sub> max)		150	°C
Storage temperature, T <sub>stg</sub>	-65	150	°C

- (1) Stresses beyond those listed under *Absolute Maximum Ratings* may cause permanent damage to the device. These are stress ratings only, which do not imply functional operation of the device at these or any other conditions beyond those indicated under *Recommended Operating Conditions*. Exposure to absolute-maximum-rated conditions for extended periods may affect device reliability.

### 6.2 ESD Ratings

		VALUE	UNIT
V <sub>(ESD)</sub> Electrostatic discharge	Human-body model (HBM), per ANSI/ESDA/JEDEC JS-001 <sup>(1)</sup>	±2000	V
	Charged-device model (CDM), per JEDEC specification JESD22-C101 <sup>(2)</sup>	±1000	

- (1) JEDEC document JEP155 states that 500-V HBM allows safe manufacturing with a standard ESD control process.

- (2) JEDEC document JEP157 states that 250-V CDM allows safe manufacturing with a standard ESD control process.

### 6.3 Recommended Operating Conditions

over operating free-air temperature range (unless otherwise noted)

		MIN	NOM	MAX	UNIT
V <sub>DD</sub>	Supply voltage to GND	2.7		5.5	V
V <sub>REF</sub>	Reference voltage	-15		15	V
V <sub>IL</sub>	Input low voltage	V <sub>DD</sub> = 2.7 V		0.6	V
		V <sub>DD</sub> = 5 V		0.8	V
V <sub>IH</sub>	Input high voltage	V <sub>DD</sub> = 2.7 V	2.1		V
		V <sub>DD</sub> = 5 V	2.4		V
T <sub>A</sub>	Operating ambient temperature	-40		125	°C

### 6.4 Thermal Information

THERMAL METRIC <sup>(1)</sup>		DAC7811	UNIT
		DGS (VSSOP)	
		10 PINS	
R <sub>θJA</sub>	Junction-to-ambient thermal resistance	165.6	°C/W
R <sub>θJC(top)</sub>	Junction-to-case (top) thermal resistance	55.4	°C/W
R <sub>θJB</sub>	Junction-to-board thermal resistance	85.6	°C/W
Ψ <sub>JT</sub>	Junction-to-top characterization parameter	6.2	°C/W
Ψ <sub>JB</sub>	Junction-to-board characterization parameter	84.2	°C/W
R <sub>θJC(bot)</sub>	Junction-to-case (bottom) thermal resistance	N/A	°C/W

- (1) For more information about traditional and new thermal metrics, see the [Semiconductor and IC Package Thermal Metrics](#) application report.

## 6.5 Electrical Characteristics

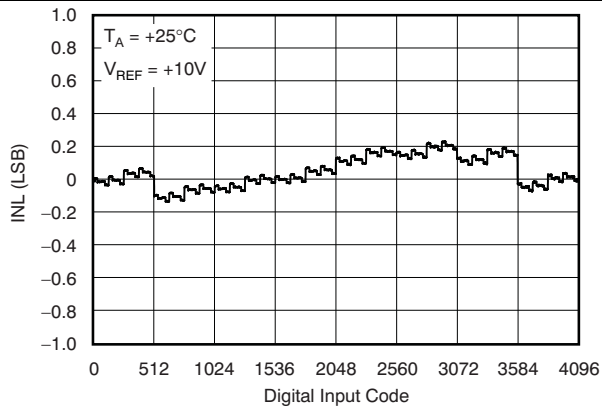
$V_{DD} = 2.7\text{ V to }5.5\text{ V}$ ;  $I_{OUT1} = \text{Virtual GND}$ ;  $I_{OUT2} = 0\text{V}$ ;  $V_{REF} = 10\text{ V}$ ;  $T_A = \text{full operating temperature}$ . All specifications  $-40^\circ\text{C}$  to  $125^\circ\text{C}$ , unless otherwise noted.

PARAMETER	TEST CONDITIONS	MIN	TYP	MAX	UNIT
<b>STATIC PERFORMANCE</b>					
Resolution		12			Bits
Relative accuracy				$\pm 1$	LSB
Differential nonlinearity				$\pm 1$	LSB
Output leakage current	Data = 0000h, $T_A = 25^\circ\text{C}$			$\pm 5$	nA
Output leakage current	Data = 0000h, $T_A = T_{MAX}$			$\pm 25$	nA
Full-scale gain error	All ones loaded to DAC register		$\pm 5$	$\pm 10$	mV
Full-scale tempo <sup>(1)</sup>			$\pm 5$		ppm/ $^\circ\text{C}$
Output capacitance <sup>(1)</sup>	Code dependent		5		pF
<b>REFERENCE INPUT</b>					
Input resistance		8	10	12	k $\Omega$
$R_{FB}$ resistance		8	10	12	k $\Omega$
<b>LOGIC INPUTS AND OUTPUT<sup>(1)</sup></b>					
$I_{IL}$	Input leakage current			10	$\mu\text{A}$
$C_{IL}$	Input capacitance			10	pF
<b>INTERFACE TIMING (see Figure 28)</b>					
$f_{CLK}$				50	MHz
$t_C$	Clock period	20			ns
$t_{CH}$	Clock pulse width high	8			ns
$t_{CC}$	Clock pulse width low	8			ns
$t_{CSS}$	$\overline{\text{SYNC}}$ falling edge to SCLK active edge setup time	13			ns
$t_{CST}$	SCLK active edge to $\overline{\text{SYNC}}$ rising edge hold time	5			ns
$t_{DS}$	Data setup time	5			ns
$t_{DH}$	Data hold time	3			ns
$t_{SH}$	$\overline{\text{SYNC}}$ high time	30			ns
$t_{DDS}$	$\overline{\text{SYNC}}$ inactive edge to SDO valid	$V_{DD} = 2.7\text{ V}$	25	35	ns
		$V_{DD} = 5\text{ V}$	20	30	ns
<b>POWER REQUIREMENTS</b>					
$I_{DD}$ (normal operation)	Logic inputs = 0 V			5	$\mu\text{A}$
$V_{DD} = 4.5\text{ V to }5.5\text{ V}$	$V_{IH} = V_{DD}$ and $V_{IL} = \text{GND}$		0.8	5	$\mu\text{A}$
$V_{DD} = 2.7\text{ V to }3.6\text{ V}$	$V_{IH} = V_{DD}$ and $V_{IL} = \text{GND}$		0.4	2.5	$\mu\text{A}$
<b>AC CHARACTERISTICS<sup>(1)</sup></b>					
Output voltage settling time				0.2	$\mu\text{s}$
Reference multiplying BW	$V_{REF} = 7\text{ V}_{PP}$ , Data = FFFh		10		MHz
DAC glitch impulse	$V_{REF} = 0\text{ V to }10\text{ V}$ , Data = 7FFh to 800h to 7FFh		5		nV-s
Feedthrough error $V_{OUT}/V_{REF}$	Data = 000h, $V_{REF} = 100\text{ kHz}$		-60		dB
Digital feedthrough			2		nV-s
Total harmonic distortion			-105		dB
Output spot noise voltage			18		$\text{nV}/\sqrt{\text{Hz}}$

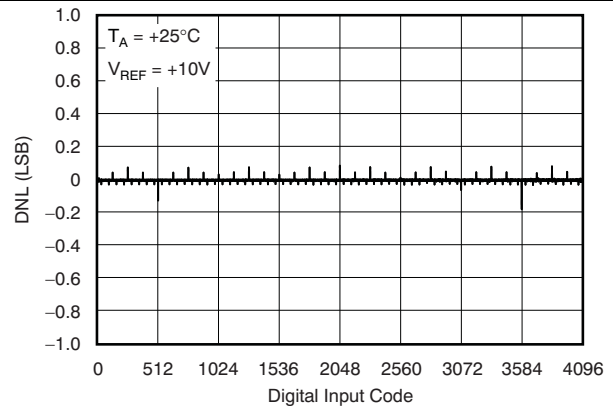
(1) Specified by design and characterization; not production tested.

## 6.6 Typical Characteristics: $V_{DD} = 5\text{ V}$

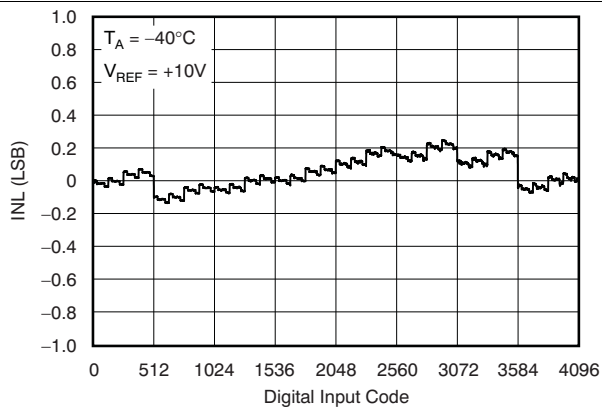
At  $T_A = 25^\circ\text{C}$ , unless otherwise noted.



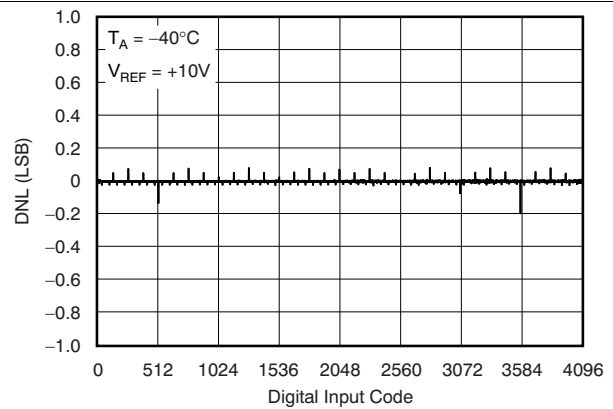
**Figure 1. Linearity Error vs Digital Input Code**



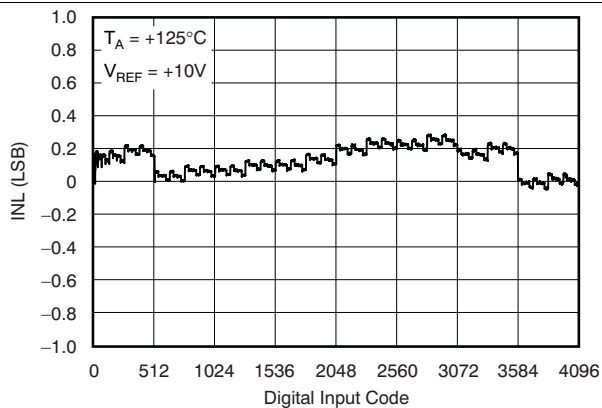
**Figure 2. Differential Linearity Error vs Digital Input Code**



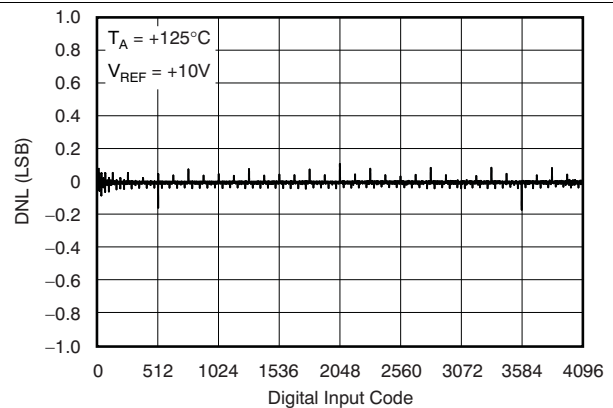
**Figure 3. Linearity Error vs Digital Input Code**



**Figure 4. Differential Linearity Error vs Digital Input Code**



**Figure 5. Linearity Error vs Digital Input Code**



**Figure 6. Differential Linearity Error vs Digital Input Code**

Typical Characteristics:  $V_{DD} = 5\text{ V}$  (continued)

At  $T_A = 25^\circ\text{C}$ , unless otherwise noted.

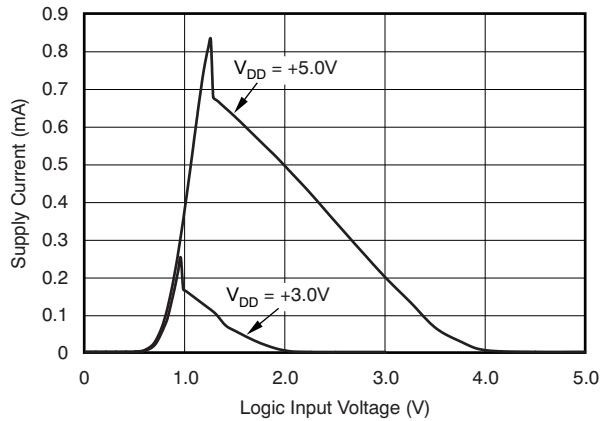


Figure 7. Supply Current vs Logic Input Voltage

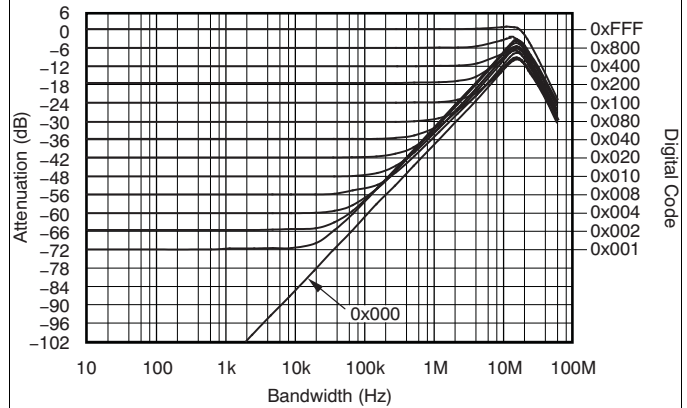


Figure 8. Reference Multiplying Bandwidth

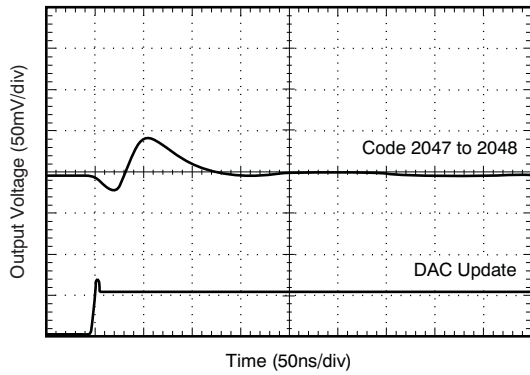


Figure 9. Midscale DAC Glitch

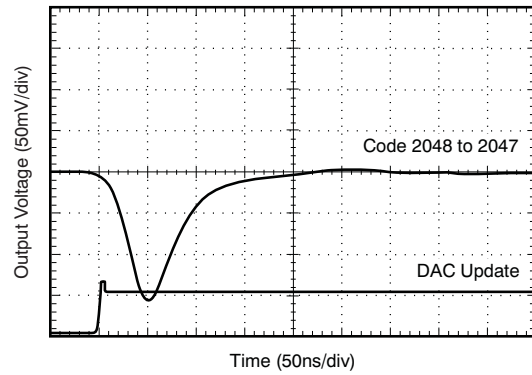


Figure 10. Midscale DAC Glitch

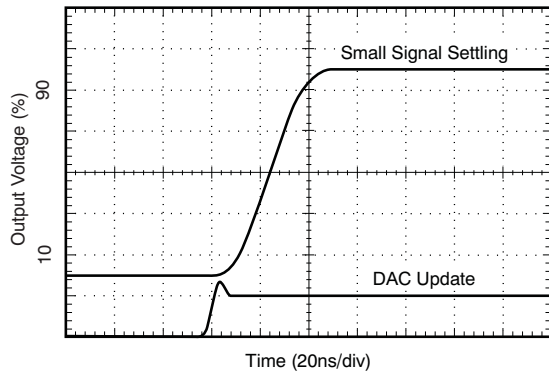


Figure 11. DAC Settling Time

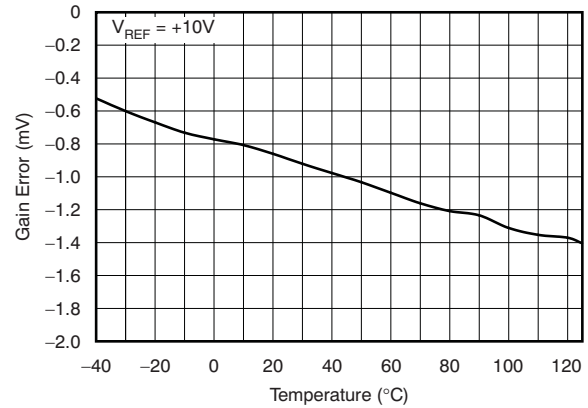


Figure 12. Gain Error vs Temperature

**Typical Characteristics:  $V_{DD} = 5\text{ V}$  (continued)**

At  $T_A = 25^\circ\text{C}$ , unless otherwise noted.

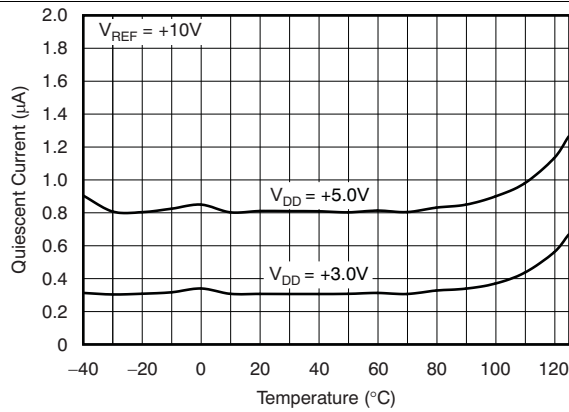


Figure 13. Supply Current vs Temperature

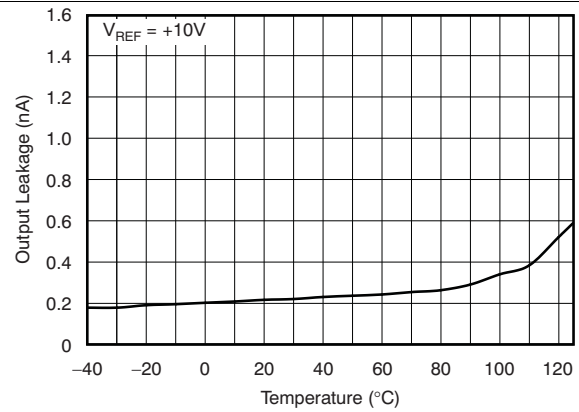


Figure 14. Output Leakage vs Temperature



### 6.7 Typical Characteristics: $V_{DD} = 2.7\text{ V}$

At  $T_A = 25^\circ\text{C}$ , unless otherwise noted.

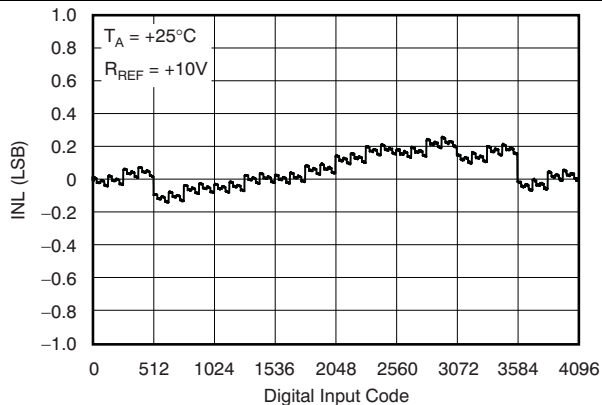


Figure 15. Linearity Error vs Digital Input Code

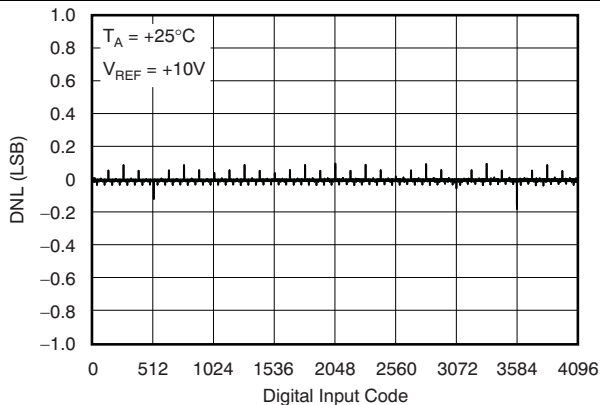


Figure 16. Differential Linearity Error vs Digital Input Code

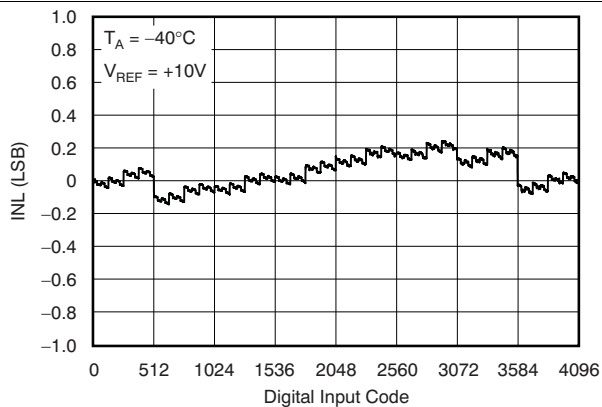


Figure 17. Linearity Error vs Digital Input Code

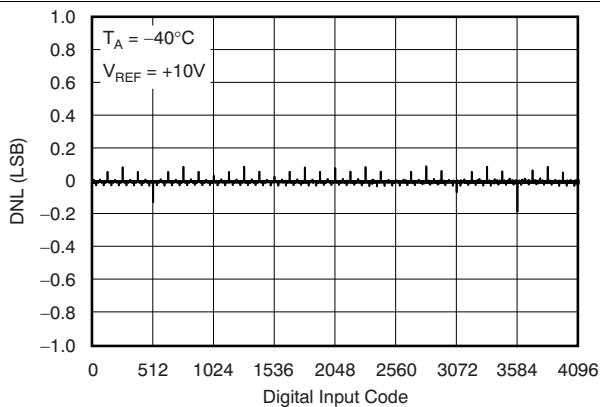


Figure 18. Differential Linearity Error vs Digital Input Code

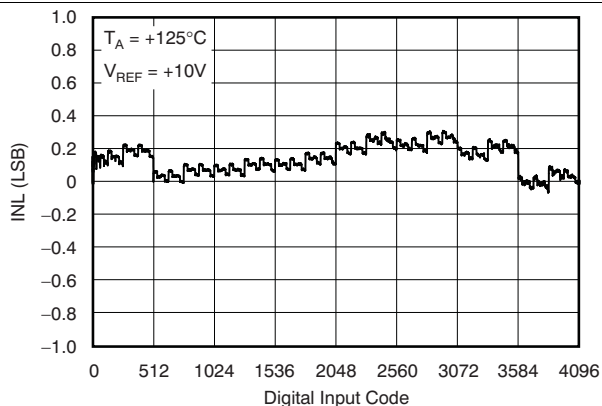


Figure 19. Linearity Error vs Digital Input Code

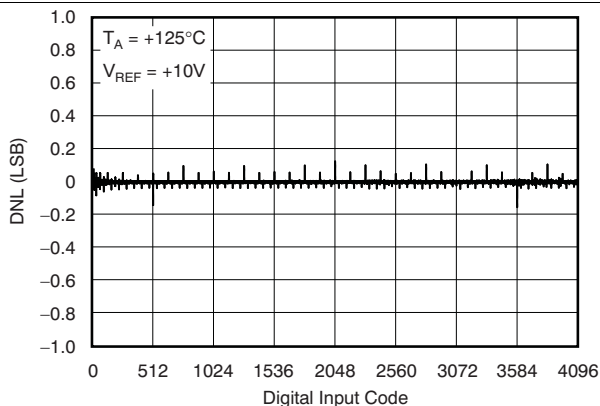


Figure 20. Differential Linearity Error vs Digital Input Code

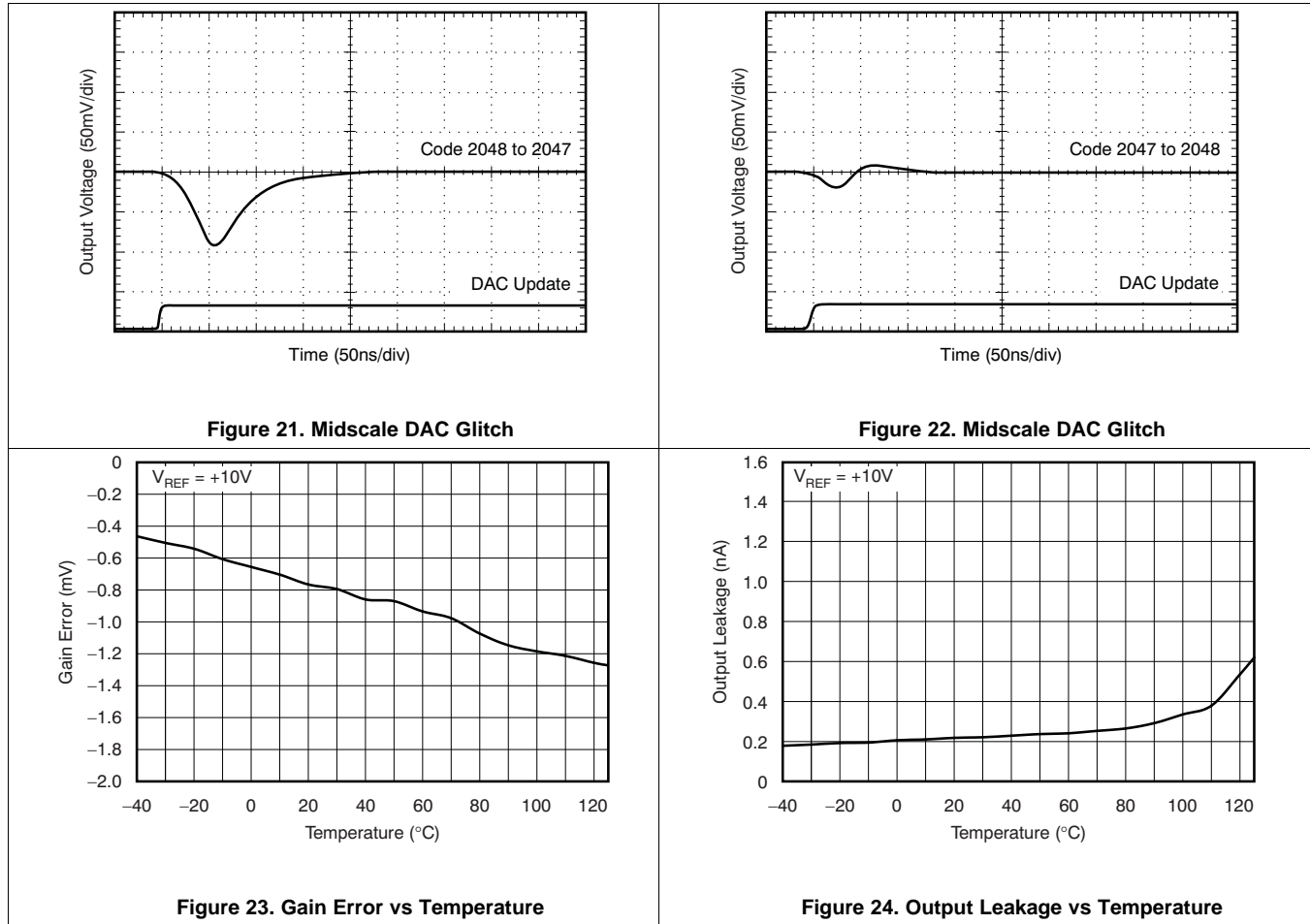
**DAC7811**

JAJSEY9E – APRIL 2005 – REVISED MARCH 2018

www.ti.com

**Typical Characteristics:  $V_{DD} = 2.7\text{ V}$  (continued)**

At  $T_A = 25^\circ\text{C}$ , unless otherwise noted.

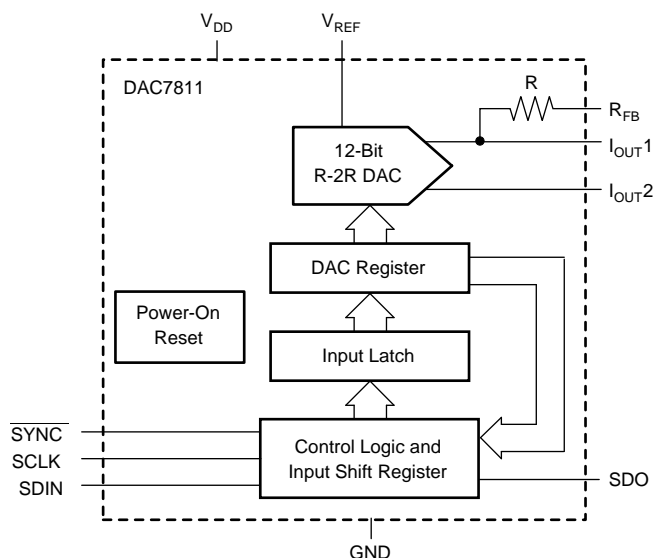


## 7 Detailed Description

### 7.1 Overview

The DAC7811 is a CMOS, 12-bit, current output digital-to-analog converter (DAC). This device operates from a 2.7-V to 5.5-V power supply, making it suitable for battery-powered and many other applications. This DAC uses a double-buffered 3-wire serial interface that is compatible with SPI, QSPI™, MICROWIRE, and most DSP interface standards. In addition, a serial data out pin (SDO) allows for daisy-chaining when multiple devices are used. Data readback allows the user to read the contents of the DAC register via the SDO pin. On power-up, the internal shift register and latches are filled with zeroes and the DAC outputs are at zero scale.

### 7.2 Functional Block Diagram



Copyright © 2016, Texas Instruments Incorporated

### 7.3 Feature Description

The DAC7811 is a single channel, current output, 12-bit digital-to-analog converter (DAC). The architecture, illustrated in Figure 25, is an R-2R ladder configuration with the three MSBs segmented. Each 2R leg of the ladder is either switched to  $I_{OUT1}$  or the  $I_{OUT2}$  terminal. The  $I_{OUT1}$  terminal of the DAC is held at a virtual GND potential by the use of an external I/V converter op amp. The R-2R ladder is connected to an external reference input  $V_{REF}$  that determines the DAC full-scale current. The R-2R ladder presents a code independent load impedance to the external reference of  $10k\Omega \pm 20\%$ . The external reference voltage can vary over a range of  $-15V$  to  $+15V$ , thus providing bipolar  $I_{OUT}$  current operation. By using an external I/V converter and the DAC7811  $R_{FB}$  resistor, output voltage ranges of  $-V_{REF}$  to  $V_{REF}$  can be generated.

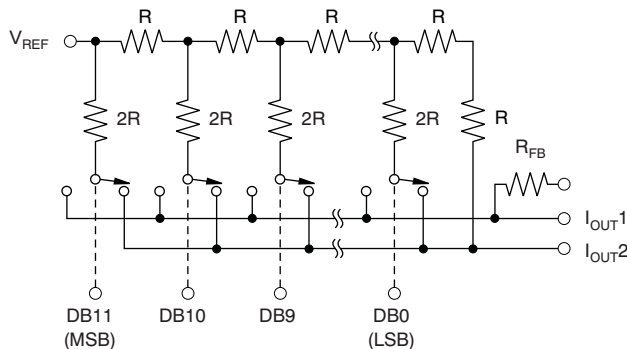


Figure 25. Equivalent R-2R DAC Circuit

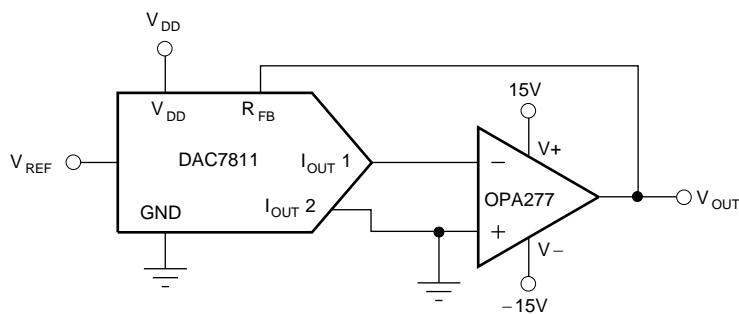
## Feature Description (continued)

When using an external I/V converter and the DAC7811  $R_{FB}$  resistor, the DAC output voltage is given by [Equation 1](#):

$$V_{OUT} = -V_{REF} \times \left( \frac{CODE}{4096} \right) \quad (1)$$

Each DAC code determines the 2R leg switch position to either GND or  $I_{OUT}$ . Because the DAC output impedance as seen looking into the  $I_{OUT1}$  terminal changes versus code, the external I/V converter noise gain will also change. Because of this, the external I/V converter op amp must have a sufficiently low offset voltage such that the amplifier offset is not modulated by the DAC  $I_{OUT1}$  terminal impedance change. External op amps with large offset voltages can produce INL errors in the transfer function of the DAC7811 due to offset modulation versus DAC code.

For best linearity performance of the DAC7811, a low offset voltage op amp (such as the [OPA277](#)) is recommended (see [Figure 26](#)). This circuit allows  $V_{REF}$  swinging from  $-10\text{ V}$  to  $10\text{ V}$ .



Copyright © 2016, Texas Instruments Incorporated

**Figure 26. Voltage Output Configuration**

## 7.4 Device Functional Modes

### 7.4.1 Serial Interface

The DAC7811 has a 3-wire serial interface ( $\overline{SYNC}$ , SCLK, and SDIN), which is compatible with SPI, QSPI, and MICROWIRE interface standards as well as most Digital Signal Processor (DSP) devices. See the Serial Write Operation timing diagram ([Figure 28](#)) for an example of a typical write sequence. The write sequence begins by bringing the  $\overline{SYNC}$  line low. Data from the DIN line are clocked into the 16-bit shift register on the falling edge of SCLK. The serial clock frequency can be as high as 50MHz, making the DAC7811 compatible with high-speed DSPs. The SDIN and SCLK input buffers are gated off while  $\overline{SYNC}$  is high which minimizes the power dissipation of the digital interface. After  $\overline{SYNC}$  goes low, the digital interface will respond to the SDIN and SCLK input signals and data can now be shifted into the device. If an inactive clock edge occurs after  $\overline{SYNC}$  goes low, but before the first active clock edge, it will be ignored. If the SDO pin is being used then  $\overline{SYNC}$  must remain low until after the inactive clock edge that follows the 16th active clock edge.

### 7.4.2 Input Shift Register

The input shift register is 16 bits wide, as shown in [Figure 27](#). The four MSBs are the control bits C3–C0; these bits determine which function will be executed at the rising edge of  $\overline{SYNC}$  in daisy-chain mode or the 16th active clock edge in stand-alone mode. The remaining 12 bits are the data bits. On a load and update command (C3–C0 = 0001) these 12 data bits will be transferred to the DAC register; otherwise, they have no effect. [Table 1](#) shows serial shift register and DAC register operation with CLK and  $\overline{SYNC}$  pin settings.

**Device Functional Modes (continued)**

4 CONTROL BITS				12 DATA BITS											
B15 (MSB)	B14	B13	B12	B11	B10	B9	B8	B7	B6	B5	B4	B3	B2	B1	B0 (LSB)
C3	C2	C1	C0	DB11											DB0

**Figure 27. Contents of the 16-Bit Input Shift Register**

**Table 1. Control Logic Truth Table<sup>(1)</sup>**

CLK	$\overline{\text{SYNC}}$	SERIAL SHIFT REGISTER	DAC REGISTER
X	H	No effect	Latched
↓−	L	Shift register data advanced one bit	Latched
X	↑+	In daisy-chain mode, the function as determined by C3-C0 is executed.	In daisy-chain mode, the contents may change as determined by C3-C0.

(1) ↓− Negative logic transition, default CLK mode; ↑+ Positive logic transition; X = Do not care.

**7.4.3  $\overline{\text{SYNC}}$  Interrupt (Stand-Alone Mode)**

In a normal write sequence, the  $\overline{\text{SYNC}}$  line is kept low for at least 16 falling edges of SCLK and the DAC is updated on the 16th falling edge. However, if  $\overline{\text{SYNC}}$  is brought high before the 16th falling edge, this acts as an interrupt to the write sequence. The shift register is reset and the write sequence is seen as invalid. Neither an update of the DAC register contents nor a change in the operating mode occurs.

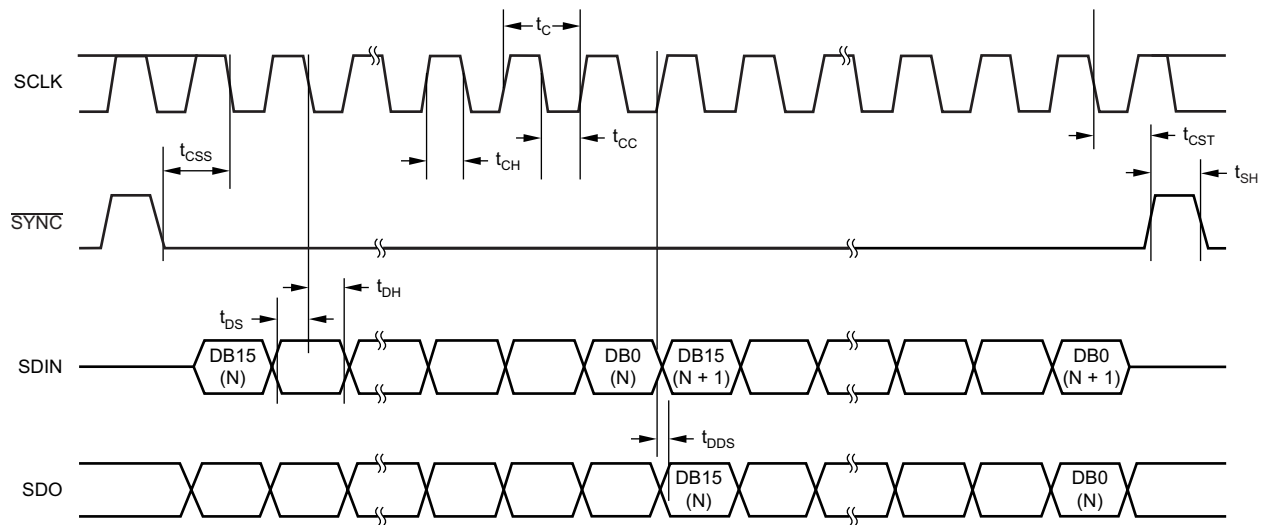
**7.4.4 Daisy-Chain**

The DAC7811 powers up in the daisy-chain mode which must be used when two or more devices are connected in tandem. The SCLK and  $\overline{\text{SYNC}}$  signals are shared across all devices while the SDO output of the first device connects to the SDIN input of the following device, and so forth. In this configuration 16 SCLK cycles for each DAC7811 in the chain are required. Please refer to the timing diagram of [Figure 28](#).

For  $n$  devices in a daisy-chain configuration,  $16n$  SCLK cycles are required to shift in the entire input data stream. After  $16n$  active SCLK edges are received following a falling  $\overline{\text{SYNC}}$ , the data stream becomes complete, and  $\overline{\text{SYNC}}$  can be brought high to update  $n$  devices simultaneously.

When  $\overline{\text{SYNC}}$  is brought high, each device will execute the function defined by the four DAC control bits C3-C0 in its input shift register. For example, C3-C0 must be **0001** for each DAC in the chain that is to be updated with new data, and C3-C0 must be **0000** for each DAC in the chain whose contents are to remain unchanged.

A continuous stream containing the exact number of SCLK cycles may be sent first while the  $\overline{\text{SYNC}}$  signal is held low, and then raise  $\overline{\text{SYNC}}$  at a later time. Nothing happens until the rising edge of  $\overline{\text{SYNC}}$ , and then each DAC7811 in the chain will execute the function defined by the four DAC control bits C3-C0 in its input shift register.


**Figure 28. DAC7811 Timing Diagram**

### 7.4.5 Control Bits C3 to C0

Control Bits C3 to C0 allow control of various functions of the DAC; see [Table 2](#). Default settings of the DAC on powering up are as follows: Data clocked into shift register on falling clock edges; daisy-chain mode is enabled. The device powers on with zero-scale loaded into the DAC register and  $I_{OUT}$  lines. The DAC control bits allow the user to adjust certain features as part of an initialization sequence; for example, daisy-chaining may be disabled if not in use, active clock edge may be changed to rising edge, and DAC output may be cleared to either zero or midscale. The user may also initiate a readback of the DAC register contents for verification purposes.

**Table 2. Serial Input Register Data Format, Data Loaded MSB First**

C3	C2	C1	C0	FUNCTION IMPLEMENTED
0	0	0	0	No operation (power-on default)
0	0	0	1	Load and update
0	0	1	0	Initiate readback
0	0	1	1	Reserved
0	1	0	0	Reserved
0	1	0	1	Reserved
0	1	1	0	Reserved
0	1	1	1	Reserved
1	0	0	0	Reserved
1	0	0	1	Daisy-chain disable
1	0	1	0	Clock data to shift register on rising edge
1	0	1	1	Clear DAC output to zero
1	1	0	0	Clear DAC output to midscale
1	1	0	1	Reserved
1	1	1	0	Reserved
1	1	1	1	Reserved

## 8 Application and Implementation

### NOTE

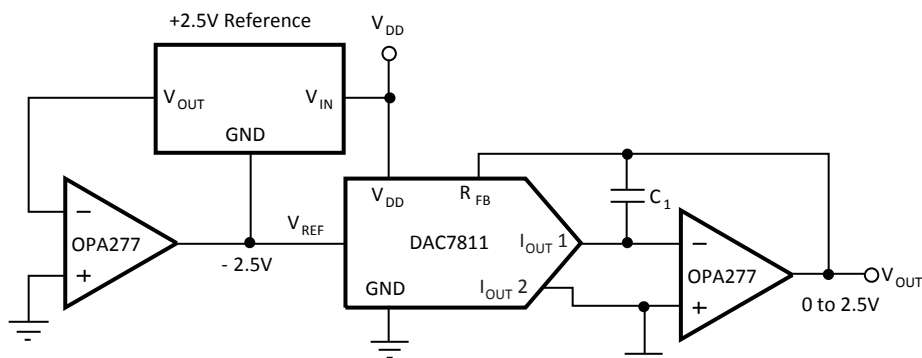
Information in the following applications sections is not part of the TI component specification, and TI does not warrant its accuracy or completeness. TI's customers are responsible for determining suitability of components for their purposes. Customers should validate and test their design implementation to confirm system functionality.

### 8.1 Application Information

The 2.7-V to 5.5-V supply operation makes the DAC7811 a viable candidate for battery operated applications, such as waveform generators, programmable amplifiers, and any mobile platforms that may require analog outputs and processing. Additionally, the large signal multiplying bandwidth of the DAC7811 makes it an excellent choice for programmable filters and oscillators.

#### 8.1.1 Unipolar Operation Using DAC7811

To generate a positive voltage output, a negative reference is input to the DAC7811. This design is suggested instead of using an inverting amp to invert the output as a result of resistor tolerance errors. For a negative reference,  $V_{OUT}$  and GND of the reference are level-shifted to a virtual ground and a  $-2.5\text{-V}$  input to the DAC7811 with an op amp.



Copyright © 2016, Texas Instruments Incorporated

Figure 29. Positive Voltage Output Circuit

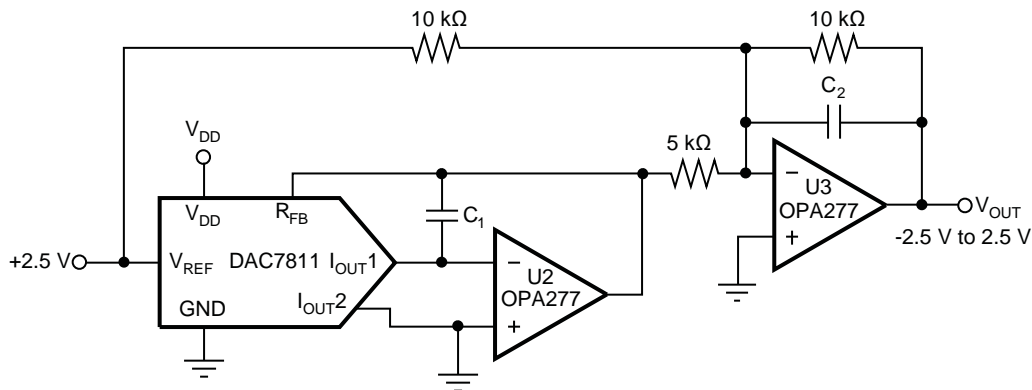
#### 8.1.2 Bipolar Operation Using the DAC7811

The DAC7811, as a 2-quadrant multiplying DAC, can be used to generate a unipolar output. The polarity of the full-scale output  $I_{OUT}$  is the inverse of the input reference voltage at  $V_{REF}$ .

Some applications require full 4-quadrant multiplying capabilities or bipolar output swing. As shown in Figure 30, external op amp U3 is added as a summing amp and has a gain of 2X that widens the output span to 5 V. A 4-quadrant multiplying circuit is implemented by using a 2.5-V offset of the reference voltage to bias U3. According to the circuit transfer equation given in Equation 2, input data (D) from code 0 to full-scale produces output voltages of  $V_{OUT} = -2.5\text{ V}$  to  $V_{OUT} = +2.5\text{ V}$

$$V_{OUT} = \left[ \left( \frac{D}{2^{11}} \right) - 1 \right] \times V_{REF} \quad (2)$$

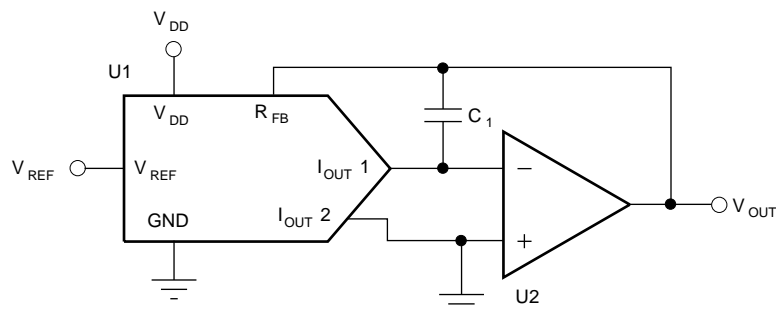
External resistance mismatching is the significant error in Figure 30.

**Application Information (continued)**


Copyright © 2016, Texas Instruments Incorporated

**Figure 30. Bipolar Output Circuit**
**8.1.3 Stability Circuit**

For a current-to-voltage design (see [Figure 31](#)), the DAC7811 current output ( $I_{OUT}$ ) and the connection with the inverting node of the op amp should be as short as possible and according to correct printed circuit board (PCB) layout design practices. For each code change, there is a step function. If the gain bandwidth product (GBP) of the op amp is limited and parasitic capacitance is excessive at the inverting node, then gain peaking is possible. Therefore, for circuit stability, a compensation capacitor  $C_1$  (1pF to 5pF typ) can be added to the design, as shown in [Figure 31](#).



Copyright © 2016, Texas Instruments Incorporated

**Figure 31. Gain Peaking Prevention Circuit With Compensation Capacitor**
**8.1.4 Amplifier Selection**

There are many choices and many differences in selecting the proper operational amplifier for a multiplying DAC (MDAC). Making the analog signal out of the MDAC is one critical aspect. However, there are also other issues to take into account such as amplifier noise, input bias current, and offset voltage, as well as MDAC resolution and glitch energy. [Table 3](#) and [Table 4](#) suggest some suitable operational amplifiers for low power, fast settling, and high-speed applications. A greater selection of operational amplifiers can be found at [www.ti.com/amplifier](http://www.ti.com/amplifier).



**Application Information (continued)**
**Table 3. Suitable Precision Operational Amplifiers from Texas Instruments**

PRODUCT	TOTAL SUPPLY VOLTAGE (V) (min)	TOTAL SUPPLY VOLTAGE (V) (max)	I <sub>Q</sub> PER CHANNEL (max) (mA)	GBW (typ) (MHz)	SLEW RATE (typ) (V/μs)	OFFSET DRIFT (typ) (μV/°C)	I <sub>B</sub> (max) (pA)	CMRR (min) (dB)	PACKAGE/ LEAD	DESCRIPTION
<b>LOW POWER</b>										
OPA703	4	12	0.2	1	0.6	4	10	70	SOT5-23, PDIP-8, SOIC-8	12V, CMOS, Rail-to-Rail I/O, Operational Amplifier
OPA735	2.7	12	0.75	1.6	1.5	0.01	200	115	SOT5-23, SOIC-8	0.05μV/°C (max), Single-Supply CMOS Zero-Drift Series Operational Amplifier
OPA344	2.7	5.5	0.25	1	1	2.5	10	80	SOT5-23, PDIP-8, SOIC-8	Low Power, Single-Supply, Rail-To-Rail Operational Amplifiers MicroAmplifier Series
OPA348	2.1	5.5	0.065	1	0.5	2	10	70	SC5-70, SOT5-23, SOIC-8	1MHz, 45μA, Rail-to-Rail I/O, Single Op Amp
OPA277	4	36	0.825	1	0.8	0.1	1000	130	PDIP-8, SOIC-8, SON-8	High Precision Operational Amplifiers
<b>FAST SETTLING</b>										
OPA350	2.7	5.5	7.5	38	22	4	10	76	MSOP-8, PDIP-8, SOIC-8	High-Speed, Single-Supply, Rail-to-Rail Operational Amplifiers MicroAmplifier Series
OPA727	4	12	6.5	20	30	0.6	500	86	MSOP-8, SON-8	e-trim 20MHz, High Precision CMOS Operational Amplifier
OPA227	5	36	3.8	8	2.3	0.1	10000	120	PDIP-8, SOIC-8	High Precision, Low Noise Operational Amplifiers

**Table 4. Suitable High Speed Operational Amplifiers from Texas Instruments (Multiple Channel Options)**

PRODUCT	SUPPLY VOLTAGE (V)	GBW PRODUCT (MHz)	VOLTAGE NOISE nV/√Hz	GBW (typ) (MHz)	SLEW RATE (V/μs)	V <sub>OS</sub> (typ) (μV)	V <sub>OS</sub> (max) (μV)	CMRR (min) (dB)	PACKAGE/ LEAD	DESCRIPTION
<b>SINGLE CHANNEL</b>										
THS4281	±2.7 to ±15	38	12.5	35	500	3500	500	1000	SOT5-23, MSOP-8, SOIC-8	Very Low-Power High Speed Rail-To-Rail Input/Output Voltage Feedback Operational Amplifier
THS4031	±4.5 to ±16.5	200	1.6	100	500	3000	3000	8000	CDIP-8, MSOP-8, SOIC-8	100-MHz Low Noise Voltage-Feedback Amplifier
THS4631	±4.5 to ±16.5	210	7	900	260	2000	50pA	2	SOIC-8, MSOP-8	High Speed FET-Input Operational Amplifier
OPA656	±4 to ±6	230	7	290	250	2600	2pA	5pA	SOIC-8, SOT5-23	Wideband, Unity Gain Stable FET-Input Operational Amplifier
OPA820	±2.5 to ±6	280	2.5	240	200	1200	900	23,000	SOIC-8, SOT5-23	Unity Gain Stable, Low Noise, Voltage Feedback Operational Amplifier
<b>DUAL CHANNEL</b>										
THS4032	±4.5 to ±16.5	200	1.6	100	500	3000	3000	8000	SOIC-8, MSOP-8	100-MHz Low Noise Voltage-Feedback Amplifier, Dual
OPA2822	±2 to ±6.3	220	2	170	200	1200	9600	12000	SOIC-8, MSOP-8	SpeedPlus Dual Wideband, Low-Noise Operational Amplifier

### 8.1.5 Programmable Current Source Circuit

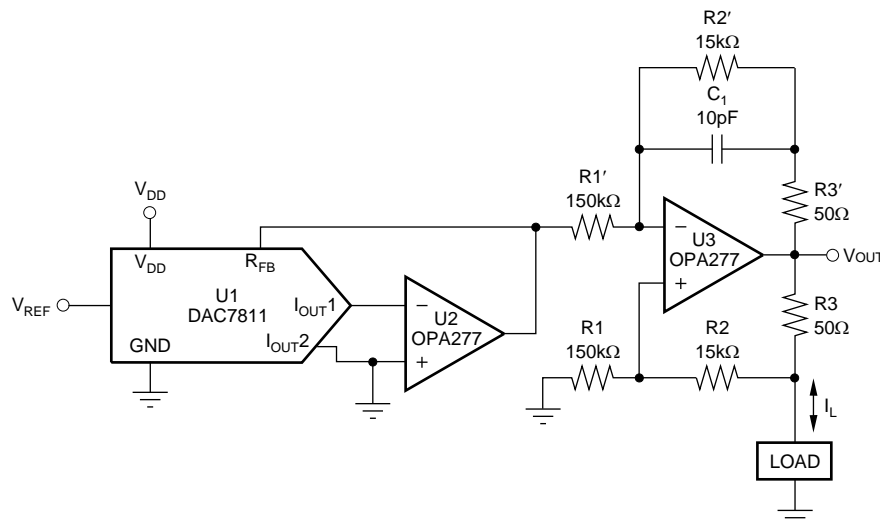
A DAC7811 can be integrated into the circuit in [Figure 32](#) to implement an improved Howland current pump for precise voltage to current conversions. Bidirectional current flow and high voltage compliance are two features of the circuit. With a matched resistor network, the load current of the circuit is shown by [Equation 3](#):

$$I_L = \frac{(R_2 + R_3) / R_1}{R_3} \times V_{REF} \times \frac{D}{4096} \quad (3)$$

The value of  $R_3$  in [Equation 3](#) can be reduced to increase the output current drive of  $U_3$ .  $U_3$  can drive  $\pm 20\text{mA}$  in both directions with voltage compliance limited up to 15V by the  $U_3$  voltage supply. Elimination of the circuit compensation capacitor  $C_1$  in the circuit is not suggested as a result of the change in the output impedance  $Z_O$ , according to [Equation 4](#):

$$Z_O = \frac{R_1' R_3 (R_1 + R_2)}{R_1 (R_2' + R_3') - R_1' (R_2 + R_3)} \quad (4)$$

As shown in [Equation 4](#), with matched resistors,  $Z_O$  is infinite and the circuit is optimum for use as a current source. However, if unmatched resistors are used,  $Z_O$  is positive or negative with negative output impedance being a potential cause of oscillation. Therefore, by incorporating  $C_1$  into the circuit, possible oscillation problems are eliminated. The value of  $C_1$  can be determined for critical applications; for most applications, however, a value of several pF is suggested.

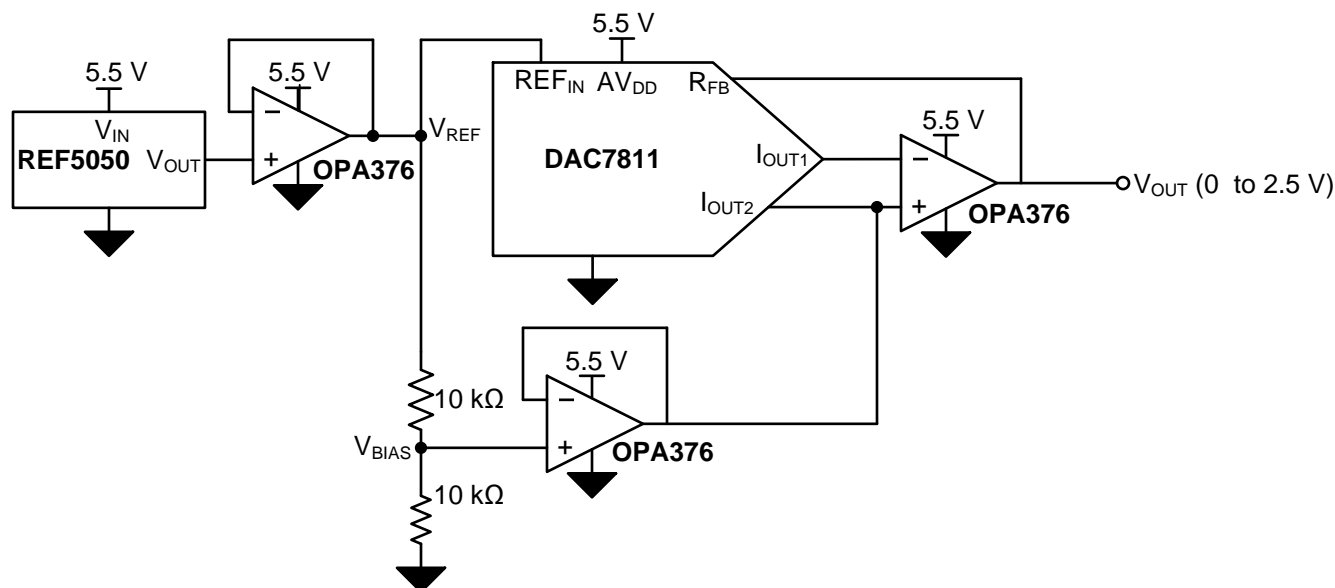


Copyright © 2016, Texas Instruments Incorporated

**Figure 32. Programmable Bidirectional Current Source Circuit**

## 8.2 Typical Application

### 8.2.1 Single Supply Unipolar Multiplying DAC



Copyright © 2016, Texas Instruments Incorporated

Figure 33. Complete Circuit Schematic

#### 8.2.1.1 Design Requirements

This multiplying DAC (MDAC) circuit outputs unipolar voltages from 0 V to 2.5 V. This design does not require dual supplies to realize a unipolar, positive output voltage. This design removes the need for a negative supply rail by applying a bias voltage the output transimpedance stage.

#### 8.2.1.2 Detailed Design Procedure

The DAC7811 output current is converted into a voltage by including an op-amp in a transimpedance configuration at the DAC7811 current output terminal. The transimpedance stage creates an output voltage with opposite polarity to that of VREF and subsequently requires dual supplies. This circuit removes the need of dual power supplies and uses a single supply to power the circuit.

The transfer function from digital code to output voltage is shown in Equation 5.

$$V_{OUT}(Code) = V_{BIAS} - \frac{(V_{REF} - V_{BIAS})}{2^{bits}} \times Code \quad (5)$$

More information regarding this design can be found in [Single-Supply Unipolar Multiplying DAC Reference Design \(TIDU300\)](#).

#### 8.2.1.3 Application Curve

The Absolute error (TUE) in %FSR is shown the following graph, Figure 34. The plot below represents data ranging from code 30 to 4050. The figure shows the absolute error (TUE) has a maximum value of about 0.05% FSR.

Typical Application (continued)

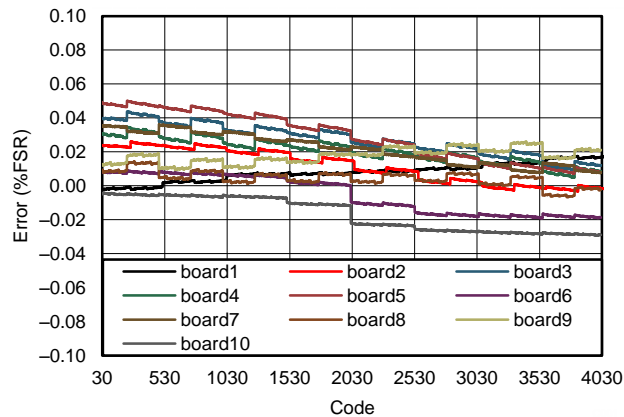


Figure 34. Absolute Error (TUE) in %FSR

9 Power Supply Recommendations

The DAC7811 can operate within the specified supply voltage range of 2.7 V to 5.5 V. The power applied to VDD should be well regulated and low noise. Switching power supplies and DC-DC converters often have high frequency glitches or spikes riding on the output voltage. In addition, digital components can create similar high-frequency spikes. This noise can easily couple into the DAC output voltage through various paths between the power connections and analog output. To further minimize noise from the power supply, a strong recommendation is to include a 1- $\mu$ F to 10- $\mu$ F capacitor and 0.1- $\mu$ F bypass capacitor. The required supply current vs Logic Input voltage or temperature is displayed in [Typical Characteristics](#). The power supply must meet the aforementioned current requirements.

## 10 Layout

### 10.1 Layout Guidelines

A precision analog component requires careful layout, the list below provides some insight into good layout practices.

- All Power Supply pins should be bypassed to ground with a low ESR ceramic bypass capacitor. The typical recommended bypass capacitance is 0.1 to 0.22- $\mu$ F ceramic with a X7R or NP0 dielectric.
- Power supplies and VREF bypass capacitors should be placed close to terminals or planes to minimize inductance and optimize performance.
- A high-quality ceramic type NP0 or X7R is recommended for its optimal performance across temperature, and very low dissipation factor.
- The digital and analog sections should have proper placement with respect to the digital pins and analog pins of the DAC7811 device. The separation of analog and digital blocks will allow for better design and practice as it will ensure less coupling into neighboring blocks, and will minimize the interaction between analog and digital return currents.

### 10.2 Layout Example

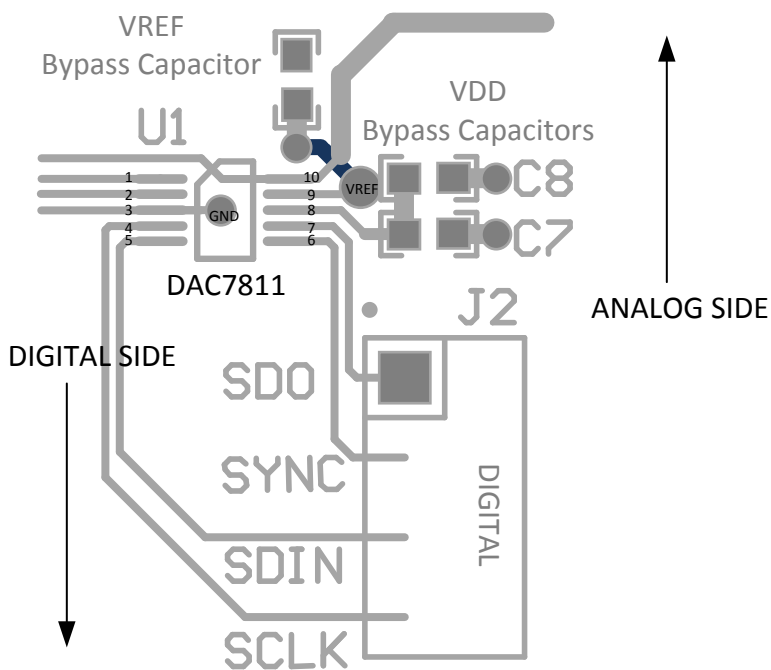


Figure 35. DAC7811 Example Layout

## 11 デバイスおよびドキュメントのサポート

### 11.1 ドキュメントのサポート

#### 11.1.1 関連資料

関連資料については、以下を参照してください。

- 『[TI Designs - 高精度: 検証済み設計の電圧モード乗算DACのリファレンス・デザイン](#)』(TIDUAF0)
- 『[TI Designs - 高精度: 検証済み設計の単一電源ユニポーラ乗算DACのリファレンス・デザイン](#)』(TIDU300)
- 『[DAC7811からMSP430F449への接続](#)』(SLAA372)
- 『[DAC7811EVM](#)』(SLAU163)

#### 11.2 ドキュメントの更新通知を受け取る方法

ドキュメントの更新についての通知を受け取るには、[ti.com](http://ti.com)のデバイス製品フォルダを開いてください。右上の隅にある「通知を受け取る」をクリックして登録すると、変更されたすべての製品情報に関するダイジェストを毎週受け取れます。変更の詳細については、修正されたドキュメントに含まれている改訂履歴をご覧ください。

#### 11.3 コミュニティ・リソース

The following links connect to TI community resources. Linked contents are provided "AS IS" by the respective contributors. They do not constitute TI specifications and do not necessarily reflect TI's views; see TI's [Terms of Use](#).

**TI E2E™オンライン・コミュニティ** *TIのE2E (Engineer-to-Engineer) コミュニティ*。エンジニア間の共同作業を促進するために開設されたものです。e2e.ti.comでは、他のエンジニアに質問し、知識を共有し、アイデアを検討して、問題解決に役立てることができます。

**設計サポート** *TIの設計サポート* 役に立つE2Eフォーラムや、設計サポート・ツールをすばやく見つけることができます。技術サポート用の連絡先情報も参照できます。

#### 11.4 商標

E2E is a trademark of Texas Instruments.

QSPI is a trademark of Motorola, Inc.

All other trademarks are the property of their respective owners.

#### 11.5 静電気放電に関する注意事項



これらのデバイスは、限定的なESD(静電破壊)保護機能を内蔵しています。保存時または取り扱い時は、MOSゲートに対する静電破壊を防止するために、リード線同士をショートさせておくか、デバイスを導電フォームに入れる必要があります。

#### 11.6 Glossary

**SLYZ022** — *TI Glossary*.

This glossary lists and explains terms, acronyms, and definitions.

## 12 メカニカル、パッケージ、および注文情報

以降のページには、メカニカル、パッケージ、および注文に関する情報が記載されています。この情報は、そのデバイスについて利用可能な最新のデータです。このデータは予告なく変更されることがあり、ドキュメントが改訂される場合もあります。本データシートのブラウザ版を使用されている場合は、画面左側の説明をご覧ください。

**PACKAGING INFORMATION**

Orderable Device	Status (1)	Package Type	Package Drawing	Pins	Package Qty	Eco Plan (2)	Lead finish/ Ball material (6)	MSL Peak Temp (3)	Op Temp (°C)	Device Marking (4/5)	Samples
DAC7811IDGS	ACTIVE	VSSOP	DGS	10	80	RoHS & Green	NIPDAUAG	Level-2-260C-1 YEAR	-40 to 125	7811	<a href="#">Samples</a>
DAC7811IDGSG4	ACTIVE	VSSOP	DGS	10	80	RoHS & Green	NIPDAUAG	Level-2-260C-1 YEAR	-40 to 125	7811	<a href="#">Samples</a>
DAC7811IDGSR	ACTIVE	VSSOP	DGS	10	2500	RoHS & Green	NIPDAUAG   SN	Level-2-260C-1 YEAR	-40 to 125	7811	<a href="#">Samples</a>
DAC7811IDGSRG4	ACTIVE	VSSOP	DGS	10	2500	RoHS & Green	NIPDAUAG	Level-2-260C-1 YEAR	-40 to 125	7811	<a href="#">Samples</a>
DAC7811IDGST	ACTIVE	VSSOP	DGS	10	250	RoHS & Green	NIPDAUAG   SN	Level-2-260C-1 YEAR	-40 to 125	7811	<a href="#">Samples</a>

(1) The marketing status values are defined as follows:

**ACTIVE:** Product device recommended for new designs.

**LIFEBUY:** TI has announced that the device will be discontinued, and a lifetime-buy period is in effect.

**NRND:** Not recommended for new designs. Device is in production to support existing customers, but TI does not recommend using this part in a new design.

**PREVIEW:** Device has been announced but is not in production. Samples may or may not be available.

**OBSELETE:** TI has discontinued the production of the device.

(2) **RoHS:** TI defines "RoHS" to mean semiconductor products that are compliant with the current EU RoHS requirements for all 10 RoHS substances, including the requirement that RoHS substance do not exceed 0.1% by weight in homogeneous materials. Where designed to be soldered at high temperatures, "RoHS" products are suitable for use in specified lead-free processes. TI may reference these types of products as "Pb-Free".

**RoHS Exempt:** TI defines "RoHS Exempt" to mean products that contain lead but are compliant with EU RoHS pursuant to a specific EU RoHS exemption.

**Green:** TI defines "Green" to mean the content of Chlorine (Cl) and Bromine (Br) based flame retardants meet JS709B low halogen requirements of <=1000ppm threshold. Antimony trioxide based flame retardants must also meet the <=1000ppm threshold requirement.

(3) MSL, Peak Temp. - The Moisture Sensitivity Level rating according to the JEDEC industry standard classifications, and peak solder temperature.

(4) There may be additional marking, which relates to the logo, the lot trace code information, or the environmental category on the device.

(5) Multiple Device Markings will be inside parentheses. Only one Device Marking contained in parentheses and separated by a "~" will appear on a device. If a line is indented then it is a continuation of the previous line and the two combined represent the entire Device Marking for that device.

(6) Lead finish/Ball material - Orderable Devices may have multiple material finish options. Finish options are separated by a vertical ruled line. Lead finish/Ball material values may wrap to two lines if the finish value exceeds the maximum column width.

**Important Information and Disclaimer:** The information provided on this page represents TI's knowledge and belief as of the date that it is provided. TI bases its knowledge and belief on information provided by third parties, and makes no representation or warranty as to the accuracy of such information. Efforts are underway to better integrate information from third parties. TI has taken and continues to take reasonable steps to provide representative and accurate information but may not have conducted destructive testing or chemical analysis on incoming materials and chemicals. TI and TI suppliers consider certain information to be proprietary, and thus CAS numbers and other limited information may not be available for release.

In no event shall TI's liability arising out of such information exceed the total purchase price of the TI part(s) at issue in this document sold by TI to Customer on an annual basis.



**TAPE AND REEL INFORMATION**

**QUADRANT ASSIGNMENTS FOR PIN 1 ORIENTATION IN TAPE**


\*All dimensions are nominal

Device	Package Type	Package Drawing	Pins	SPQ	Reel Diameter (mm)	Reel Width W1 (mm)	A0 (mm)	B0 (mm)	K0 (mm)	P1 (mm)	W (mm)	Pin1 Quadrant
DAC7811IDGSR	VSSOP	DGS	10	2500	330.0	12.4	5.3	3.4	1.4	8.0	12.0	Q1
DAC7811IDGST	VSSOP	DGS	10	250	330.0	12.4	5.3	3.4	1.4	8.0	12.0	Q1

**TAPE AND REEL BOX DIMENSIONS**


\*All dimensions are nominal

Device	Package Type	Package Drawing	Pins	SPQ	Length (mm)	Width (mm)	Height (mm)
DAC7811IDGSR	VSSOP	DGS	10	2500	366.0	364.0	50.0
DAC7811IDGST	VSSOP	DGS	10	250	366.0	364.0	50.0

**TUBE**


\*All dimensions are nominal

Device	Package Name	Package Type	Pins	SPQ	L (mm)	W (mm)	T (μm)	B (mm)
DAC7811IDGS	DGS	VSSOP	10	80	330	6.55	500	2.88
DAC7811IDGSG4	DGS	VSSOP	10	80	330	6.55	500	2.88

# DGS0010A



# PACKAGE OUTLINE

## VSSOP - 1.1 mm max height

SMALL OUTLINE PACKAGE



4221984/A 05/2015

### NOTES:

1. All linear dimensions are in millimeters. Any dimensions in parenthesis are for reference only. Dimensioning and tolerancing per ASME Y14.5M.
2. This drawing is subject to change without notice.
3. This dimension does not include mold flash, protrusions, or gate burrs. Mold flash, protrusions, or gate burrs shall not exceed 0.15 mm per side.
4. This dimension does not include interlead flash. Interlead flash shall not exceed 0.25 mm per side.
5. Reference JEDEC registration MO-187, variation BA.

# EXAMPLE BOARD LAYOUT

DGS0010A

VSSOP - 1.1 mm max height

SMALL OUTLINE PACKAGE



LAND PATTERN EXAMPLE  
SCALE:10X



SOLDER MASK DETAILS  
NOT TO SCALE

4221984/A 05/2015

NOTES: (continued)

- 6. Publication IPC-7351 may have alternate designs.
- 7. Solder mask tolerances between and around signal pads can vary based on board fabrication site.

# EXAMPLE STENCIL DESIGN

DGS0010A

VSSOP - 1.1 mm max height

SMALL OUTLINE PACKAGE



SOLDER PASTE EXAMPLE  
BASED ON 0.125 mm THICK STENCIL  
SCALE:10X

4221984/A 05/2015

NOTES: (continued)

8. Laser cutting apertures with trapezoidal walls and rounded corners may offer better paste release. IPC-7525 may have alternate design recommendations.
9. Board assembly site may have different recommendations for stencil design.

## 重要なお知らせと免責事項

TI は、技術データと信頼性データ(データシートを含みます)、設計リソース(リファレンス・デザインを含みます)、アプリケーションや設計に関する各種アドバイス、Web ツール、安全性情報、その他のリソースを、欠陥が存在する可能性のある「現状のまま」提供しており、商品性および特定目的に対する適合性の黙示保証、第三者の知的財産権の非侵害保証を含むいかなる保証も、明示的または黙示的にかかわらず拒否します。

これらのリソースは、TI 製品を使用する設計の経験を積んだ開発者への提供を意図したものです。(1) お客様のアプリケーションに適した TI 製品の選定、(2) お客様のアプリケーションの設計、検証、試験、(3) お客様のアプリケーションに該当する各種規格や、その他のあらゆる安全性、セキュリティ、規制、または他の要件への確実な適合に関する責任を、お客様のみが単独で負うものとし、

上記の各種リソースは、予告なく変更される可能性があります。これらのリソースは、リソースで説明されている TI 製品を使用するアプリケーションの開発の目的でのみ、TI はその使用をお客様に許諾します。これらのリソースに関して、他の目的で複製することや掲載することは禁止されています。TI や第三者の知的財産権のライセンスが付与されている訳ではありません。お客様は、これらのリソースを自身で使用した結果発生するあらゆる申し立て、損害、費用、損失、責任について、TI およびその代理人を完全に補償するものとし、TI は一切の責任を拒否します。

TI の製品は、[TI の販売条件](#)、または [ti.com](#) やかかる TI 製品の関連資料などのいずれかを通じて提供する適用可能な条項の下で提供されています。TI がこれらのリソースを提供することは、適用される TI の保証または他の保証の放棄の拡大や変更を意味するものではありません。

お客様がいかなる追加条項または代替条項を提案した場合でも、TI はそれらに異議を唱え、拒否します。

郵送先住所 : Texas Instruments, Post Office Box 655303, Dallas, Texas 75265  
Copyright © 2024, Texas Instruments Incorporated