

# DLPA2000 電源管理およびLED/ランプ・ドライバIC

## 1 特長

- 高効率のRGB LED/ランプ・ドライバ、昇降圧DC-DCコンバータ、DMD電源、DPPコア電源、1.8V 負荷スイッチ、測定システムを小型のチップ・スケール・パッケージに搭載
- 3つの低インピーダンス(27°Cで標準値30mΩ)のMOSFETスイッチによるチャンネル選択
- チャンネルごとに独立の10ビット電流制御
- DLPA2000組み込みアプリケーション用の最大750mAのLED電流
- オンチップのモータ・ドライバ
- DMDレギュレータ
  - インダクタ1つだけで動作
  - VOFS: 10V
  - VBIAS: 18V
  - VRST: -14V
  - ディセーブル時にGNDへパッシブ放電
- DPP 1.1Vコア電源
  - 同期整流降圧コンバータと内蔵スイッチングFET
  - 最大600mAの出力電流をサポート
- VLED昇降圧コンバータ
  - 軽負荷電流時のパワー・セーブ・モード
- 低インピーダンスの負荷スイッチ
  - $V_{IN}$ 範囲: 1.8V~3.6V
  - 最大200mAの電流をサポート
  - ディセーブル時にGNDへパッシブ放電
- DMDリセット信号生成および電源シーケンシング
- 33MHzのシリアル・ペリフェラル・インターフェイス(SPI)
- マルチプレクサによるアナログ信号の測定
  - バッテリ電圧

- LED電圧、LED電流
- 光センサ(ホワイト・ポイント補正用)
- 内部リファレンス電圧
- 外部(サーミスタ)温度センサ
- 監視および保護回路
  - ダイの過熱警告およびサーマル・シャットダウン
  - バッテリ残量警告
  - バッテリ低電圧誤動作防止(UVLO)をプログラム可能
  - 負荷スイッチUVLO
  - 過電流および低電圧保護
- DLPA2000 DSBGAパッケージ
  - 56ボール、0.4mmピッチ
  - ダイ・サイズ: 3.280mm×3.484mm±0.03 mm

## 2 アプリケーション

DLPTMディスプレイ・プロジェクター

DLPTMモバイル・センシング

## 3 概要

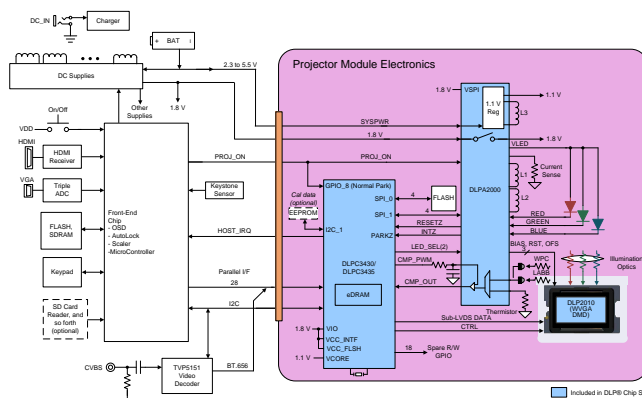
DLPA2000は、DLP2010およびDLP2010NIRデジタル・マイクロミラー・デバイス(DMD)をDLPC3430、DLPC3435、DLPC150デジタル・コントローラとともに使用する場合の専用PMIC/RGB LED/ランプ・ドライバです。これらのチップセットを高い信頼性で使用するには、DLPA2000の使用が必須です。

### 製品情報<sup>(1)</sup>

型番	パッケージ	本体サイズ(公称)
DLPA2000	DSBGA (56)	3.28mm×3.48mm±0.03mm

(1) 利用可能なすべてのパッケージについては、このデータシートの末尾にある注文情報を参照してください。

図 1. 概略回路図



## 目次

1	特長	1	7.4	Device Functional Modes	27
2	アプリケーション	1	7.5	Register Maps	29
3	概要	1	<b>8</b>	<b>Application and Implementation</b>	<b>41</b>
4	改訂履歴	2	8.1	Application Information	41
<b>5</b>	<b>Pin Configuration and Functions</b>	<b>3</b>	8.2	Typical Projector Application	41
<b>6</b>	<b>Specifications</b>	<b>5</b>	8.3	Typical Mobile Sensing Application	43
6.1	Absolute Maximum Ratings	5	<b>9</b>	<b>Power Supply Recommendations</b>	<b>46</b>
6.2	Storage Conditions	5	<b>10</b>	<b>Layout</b>	<b>47</b>
6.3	ESD Ratings	5	10.1	Layout Guidelines	47
6.4	Recommended Operating Conditions	5	10.2	Layout Example	48
6.5	Thermal Information	6	<b>11</b>	<b>デバイスおよびドキュメントのサポート</b>	<b>49</b>
6.6	Electrical Characteristics	6	11.1	デバイス・サポート	49
6.7	Motor Driver Timing Requirements	11	11.2	関連リンク	49
6.8	Data Transmission Timing Requirements	12	11.3	コミュニティ・リソース	49
6.9	Typical Characteristics	13	11.4	商標	49
<b>7</b>	<b>Detailed Description</b>	<b>14</b>	11.5	静電気放電に関する注意事項	49
7.1	Overview	14	11.6	Glossary	50
7.2	Functional Block Diagram	15	<b>12</b>	<b>メカニカル、パッケージ、および注文情報</b>	<b>51</b>
7.3	Feature Description	16			

## 4 改訂履歴

### Revision A (August 2015) から Revision B に変更

Page

• 「製品情報」の本体サイズ寸法の誤字を「3.48mm <sup>2</sup> 」から「3.48mm」に修正	1
• 一覧に記載されていないなかったリビジョンAへの欠けていた履歴タグを追加	1
• Corrected package family to 'DSBGA' in Pin Functions Diagram, originally labeled as 'DSGBA'	3
• Added mechanical package designator YFF to <a href="#">Thermal Information</a>	6
• Changed layout example to show correct image in <a href="#">Figure 46</a>	48

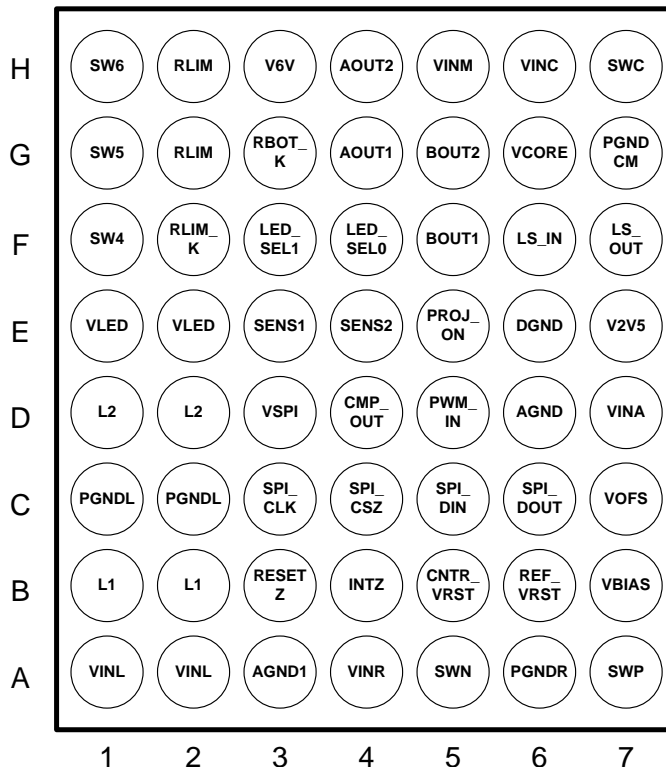
### 2014年6月発行のものから更新

Page

• 最大電流を750mAに変更	1
• モバイル・センシング・アプリケーション追加	1
• Added typical Mobile sensing application	43
• Updated the <i>Power Supply Recommendations</i> to remove information that did not apply to the DLPA2000	46

## 5 Pin Configuration and Functions

**YFF PACKAGE  
56-PIN DSBGA  
BOTTOM VIEW**



**Pin Functions**

PIN		I/O	DESCRIPTION
NAME	NUMBER		
VINL	A1	I	Power supply input for VLED BUCK-BOOST power stage. Connect to system power.
	A2		
AGND1	A3	GND	Analog ground. Connect to ground plane.
VINR	A4	I	Power supply input for DMD switch mode power supply (SMPS). Connect to system power.
SWN	A5	I	Connection for the DMD SMPS-inductor (high-side switch).
PGNDR	A6	GND	Power ground for DMD SMPS. Connect to ground plane.
SWP	A7	O	Connection for the DMD SMPS-inductor (low-side switch).
L1	B1	O	Connection for VLED BUCK-BOOST inductor.
	B2		
RESETZ	B3	O	Reset output to the DLP system (active low). Pin is held low to reset DLP system.
INTZ	B4	O	Interrupt output signal (open drain). Connect to pull-up resistor or short to ground.
CNTR_VRST	B5	O	Connection to $V_{RST}$ for fast discharge function.
REF_VRST	B6	I	Reference pin for the $V_{RST}$ regulator. Connect to $V_{RST}$ rail through 100-k $\Omega$ resistor.
VBIAS	B7	O	$V_{BIAS}$ output rail. Connect to ceramic capacitor.
PGNDL	C1	GND	Power ground for VLED BUCK-BOOST. Connect to ground plane.
	C2		
SPI_CLK	C3	I	Clock input for SPI interface.
SPI_CSZ	C4	I	SPI chip select (active low).
SPI_DIN	C5	I	SPI data input.

**Pin Functions (continued)**

PIN		I/O	DESCRIPTION
NAME	NUMBER		
SPI_DOUT	C6	O	SPI data output.
VOFS	C7	O	V <sub>OFS</sub> output rail. Connect to ceramic capacitor.
L2	D1	I	Connection for VLED BUCK-BOOST inductor.
	D2		
VSPI	D3	I	Power supply input for SPI interface. Connect to system I/O voltage.
CMP_OUT	D4	O	Analog-comparator output.
PWM_IN	D5	I	Reference voltage input for analog comparator.
AGND	D6	GND	Analog ground. Connect to ground plane.
VINA	D7	POWER	Power supply input for sensitive analog circuitry.
VLED	E1	O	VLED BUCK-BOOST converter output pin.
	E2		
SENS1	E3	I	Input signal from light sensor.
SENS2	E4	I	Input signal from temperature sensor.
PROJ_ON	E5	I	Input signal to enable or disable the IC and DLP projector.
DGND	E6	GND	Digital ground. Connect to ground plane.
V2V5	E7	O	Internal supply filter pin for digital logic; typical 2.5 V.
SW4	F1	O	Low-side MOSFET switch for LED cathode. Connect to RGB LED assembly.
RLIM_K	F2	I	Kelvin sense connection to top side of LED current sense resistor. For best accuracy, route this trace directly to the top of the current sense resistor and separate it from the normal trace from the current sense resistor to the RLIM pins.
LED_SEL1	F3	I	Digital input to the RGB STROBE DECODER.
LED_SEL0	F4	I	Digital input to the RGB STROBE DECODER.
BOUT1	F5	O	Motor driver B phase output1.
LS_IN	F6	I	Load switch.
LS_OUT	F7	O	Load switch.
SW5	G1	O	Low-side MOSFET switch for LED cathode. Connect to RGB LED assembly.
RLIM	G2	O	Connection to LED 'current sense' resistor. Bottom side of sense resistor is connected to GND.
RBOT_K	G3	I	Kelvin sense connection to ground side of LED current sense resistor.
AOUT1	G4	O	Motor driver A phase output1.
BOUT2	G5	O	Motor driver B phase output2.
VCORE	G6	I	VCORE BUCK converter feedback pin.
PGNDCM	G7	GND	Power ground for VCORE BUCK and motor driver.
SW6	H1	O	Low-side MOSFET switch for LED cathode. Connect to RGB LED assembly.
RLIM	H2	O	Connection to LED current sense resistor. Bottom side of sense resistor is connected to GND.
V6V	H3	O	Internal supply filter pin for gate driver circuitry. Typical 6.25 V.
AOUT2	H4	O	Motor driver A phase output2.
VINM	H5	I	Power supply input for motor driver power stage. Connect to system power.
VINC	H6	I	Power supply input for VCORE BUCK power stage. Connect to system power.
SWC	H7	I/O	Connection for 1.1-V BUCK inductor.

## 6 Specifications

### 6.1 Absolute Maximum Ratings

over operating free-air temperature (unless otherwise noted) <sup>(1)</sup>

	MIN	MAX	UNIT
Input voltage at $V_{INL}$ , $V_{INA}$ , $V_{INR}$ , $V_{INC}$ , $V_{INM}$	-0.3	7	V
Ground pins to system ground	-0.3	0.3	V
Voltage at SWN	-18.0	7	V
Voltage at SWP, $V_{BIAS}$	-0.3	20	V
Voltage at $V_{OFS}$	-0.3	12	V
Voltage at $V_{6V}$ , $V_{LED}$ , L1, L2, SWC, SW4, SW5, SW6, INTZ, PROJ_ON	-0.3	7	V
Voltage at all pins, unless noted otherwise	-0.3	3.6	V
Source current RESETZ, CMP_OUT		1	mA
Source current SPI_DOUT		5.5	mA
Sink current RESETZ, CMP_OUT		1	mA
Sink current SPI_DOUT, INTZ		5.5	mA
Peak output current	Internally limited		
Continuous total power dissipation	Internally limited by thermal shutdown		
$T_J$ Operating junction temperature	-30	150	°C

(1) Stresses beyond those listed under *Absolute Maximum Ratings* may cause permanent damage to the device. These are stress ratings only, which do not imply functional operation of the device at these or any other conditions beyond those indicated under *Recommended Operating Conditions*. Exposure to absolute-maximum-rated conditions for extended periods may affect device reliability.

### 6.2 Storage Conditions

applicable before the DMD is installed in the final product.

	MIN	MAX	UNIT
<b>ENVIRONMENTAL</b>			
$T_{stg}$ DMD Storage Temperature	-65	150	°C

### 6.3 ESD Ratings

	VALUE	UNIT
$V_{(ESD)}$ Electrostatic discharge	Human body model (HBM), per ANSI/ESDA/JEDEC JS-001, all pins <sup>(1)</sup>	±2000
	Charged device model (CDM), per JEDEC specification JESD22-C101, all pins <sup>(2)</sup>	±500

(1) JEDEC document JEP155 states that 500-V HBM allows safe manufacturing with a standard ESD control process.

(2) JEDEC document JEP157 states that 250-V CDM allows safe manufacturing with a standard ESD control process.

### 6.4 Recommended Operating Conditions

over operating free-air temperature range (unless otherwise noted)

	MIN	NOM	MAX	UNIT
Input voltage range at $V_{INL}$ , $V_{INA}$ , $V_{INR}$ , $V_{INC}$ , $V_{INM}$	Full functional and parametric performance			V
	Extended operating range, limited parametric performance			
Voltage range at $V_{SPI}$	1.65	1.8	3.6	V
$T_A$ Operational ambient temperature	-10		85	°C
$T_J$ Operational junction temperature	-10		120	°C

## 6.5 Thermal Information

THERMAL METRIC <sup>(1)</sup>		DLPA2000	UNIT
		YFF (DSBGA)	
		56 PINS	
R <sub>θJA</sub>	Junction-to-ambient thermal resistance <sup>(2)</sup>	45	°C/W

(1) For more information about traditional and new thermal metrics, see the *IC Package Thermal Metrics* application report, [SPRA953](#).

(2) Estimated when mounted on high K JEDEC board per JESD 51-7 with thickness of 1.6 mm, 4 layers, size of 76.2 mm x 114.3 mm, and 2-oz. copper for top and bottom plane. Actual thermal impedance will depend on PCB used in the application.

## 6.6 Electrical Characteristics

over operating free-air temperature range (unless otherwise noted) (see <sup>(1)(2)</sup>)

PARAMETER		TEST CONDITIONS	MIN	TYP	MAX	UNIT
<b>SUPPLIES</b>						
<b>INPUT VOLTAGE</b>						
V <sub>I</sub>	Input voltage range	V <sub>INA</sub> , V <sub>INR</sub> , V <sub>INL</sub> , V <sub>INC</sub>	2.7	3.6	6	V
	Extended input voltage range <sup>(1)</sup>		2.3	3.6	6	
V <sub>LOW_BAT</sub>	Low-battery warning threshold	V <sub>INA</sub> falling		3		V
	Hysteresis	V <sub>INA</sub> rising		100		mV
V <sub>hys(UVLO)</sub>	Undervoltage lockout threshold	V <sub>INA</sub> falling (through 5-bit trim function)	2.3		4.5	V
	Hysteresis	V <sub>INA</sub> rising		100		mV
V <sub>STARTUP</sub>	Startup voltage	V <sub>BIAS</sub> , V <sub>OFS</sub> , V <sub>RST</sub> ; loaded with 2 mA	2.5			V
<b>INPUT CURRENT</b>						
I <sub>Q</sub>	ACTIVE mode	Motor current excluded		15		mA
I <sub>STD</sub>	STANDBY mode			900		μA
I <sub>IDLE</sub>	IDLE mode			10		μA
<b>INTERNAL SUPPLIES</b>						
V <sub>V6V</sub>	Internal supply, analog			6.25		V
C <sub>LDO_V6V</sub>	Filter capacitor for V6V LDO			100		nF
V <sub>V2V5</sub>	Internal supply, logic			2.5		V
C <sub>LDO_V2V5</sub>	Filter capacitor for V2V5 LDO			2.2		μF
<b>DMD REGULATOR</b>						
R <sub>DS(ON)</sub>	MOSFET ON-resistance	Switch E (from V <sub>INR</sub> to SWN)		1000		mΩ
		Switch F (from SWP to PGNDR)		320		
V <sub>FW</sub>	Forward voltage drop	Switch G <sup>(2)</sup> (from SWP to V <sub>BIAS</sub> ) V <sub>INR</sub> = 5 V, V <sub>SWP</sub> = 2 V, I <sub>F</sub> = 100 mA		1.3		V
		Switch H (from SWP to V <sub>OFS</sub> ) V <sub>INR</sub> = 5 V, V <sub>SWP</sub> = 2 V, I <sub>F</sub> = 100 mA		1.3		
t <sub>DIS</sub>	Rail discharge time	V <sub>IN</sub> = 2.9 V; C <sub>OUT</sub> = 110 nF			40	μs
t <sub>PG</sub>	Power-good timeout	Not tested in production		6		ms
I <sub>LIMIT</sub>	Switch current limit			312		mA
L	Inductor value			10		μH
<b>V<sub>OFS</sub> REGULATOR</b>						
V <sub>OFS</sub>	Output voltage			10		V
	DC output voltage accuracy	I <sub>OUT</sub> = 2 mA	-2%		2%	
	DC load regulation	V <sub>IN</sub> = 3.6 V, I <sub>OUT</sub> = 0 to 2 mA		-19		V/A
	DC line regulation	V <sub>INA</sub> , V <sub>INL</sub> , V <sub>INR</sub> , V <sub>INC</sub> 2.7 to 6.0 V, I <sub>OUT</sub> = 2 mA		35		mV/V
V <sub>RIPPLE</sub>	Output ripple	V <sub>IN</sub> = 3.6 V, I <sub>OUT</sub> = 2 mA, C <sub>OUT</sub> = 440 nF <sup>(3)</sup>		375		mVpp
I <sub>OUT</sub>	Output current		0		3	mA

(1) Fully functional but limited parametric performance

(2) Including rectifying diode

(3) To reduce ripple the C<sub>OUT</sub> can be increased. V<sub>RIPPLE</sub> is inversely proportional to C<sub>OUT</sub>.

**Electrical Characteristics (continued)**

 over operating free-air temperature range (unless otherwise noted) (see <sup>(1)(2)</sup>)

PARAMETER		TEST CONDITIONS	MIN	TYP	MAX	UNIT
PG	Power-good threshold (fraction of nominal output voltage)	V <sub>OFS</sub> rising		86%		
		V <sub>OFS</sub> falling		66%		
R <sub>DIS</sub>	Output discharge resistor	Active when rail is disabled		100		Ω
C <sub>OUT</sub>	Output capacitor	Recommended value (output capacitors for V <sub>OFS</sub> /V <sub>BIAS</sub> must be equal)	110	220		nF
		t <sub>DISCHARGE</sub> < 40 μs at 2.9 V	100		110	nF

**Electrical Characteristics (continued)**

 over operating free-air temperature range (unless otherwise noted) (see <sup>(1)(2)</sup>)

PARAMETER		TEST CONDITIONS	MIN	TYP	MAX	UNIT
<b>V<sub>BIAS</sub> REGULATOR</b>						
V <sub>BIAS</sub>	Output voltage			18		V
	DC output voltage accuracy	I <sub>OUT</sub> = 2 mA	-2%		2%	
	DC load regulation	V <sub>IN</sub> = 3.6 V, I <sub>OUT</sub> = 0 to 2 mA		-14		V/A
	DC line regulation	V <sub>INA</sub> , V <sub>INL</sub> , V <sub>INR</sub> , V <sub>INC</sub> 2.7 to 6 V, I <sub>OUT</sub> = 2 mA		18		mV/V
V <sub>RIPPLE</sub>	Output ripple	V <sub>IN</sub> = 3.6 V, I <sub>OUT</sub> = 2 mA, C <sub>OUT</sub> = 440 nF (see <sup>(3)</sup> )		375		mVpp
I <sub>OUT</sub>	Output current		0		4	mA
PG	Power-good threshold (fraction of nominal output voltage)	V <sub>BIAS</sub> rising		86%		
		V <sub>BIAS</sub> falling		66%		
R <sub>DIS</sub>	Output discharge resistor	Active when rail is disabled		100		Ω
C <sub>OUT</sub>	Output capacitor	Recommended value (output capacitors for V <sub>OFS</sub> / V <sub>BIAS</sub> must be equal)	110	220		nF
		t <sub>DISCHARGE</sub> < 40 μs at 2.9 V	100		110	
<b>V<sub>RST</sub> REGULATOR</b>						
V <sub>RST</sub>	Output voltage			-14		V
	DC output voltage accuracy	I <sub>OUT</sub> = 2 mA	-3%		3%	
	DC load regulation	V <sub>IN</sub> = 3.6 V, I <sub>OUT</sub> = 0 to 2 mA		13		V/A
	DC line regulation	V <sub>INA</sub> , V <sub>INL</sub> , V <sub>INR</sub> , V <sub>INC</sub> 2.7 to 6 V, I <sub>OUT</sub> = 2 mA		-21		mV/V
V <sub>RIPPLE</sub>	Output ripple	V <sub>IN</sub> = 3.6 V, I <sub>OUT</sub> = 2 mA, C <sub>OUT</sub> = 440 nF (see <sup>(3)</sup> )		375		mVpp
V <sub>REF_VRST</sub>	Reference voltage			500		mV
I <sub>OUT</sub>	Output current		0		4	mA
PG	Power-good threshold (fraction of nominal output voltage)	V <sub>RST</sub> rising		90%		
		V <sub>RST</sub> falling		90%		
R <sub>DIS</sub>	Output discharge resistor	Active when rail is disabled		±150		Ω
C <sub>OUT</sub>	Output capacitor		110	220		nF
		t <sub>DISCHARGE</sub> < 70 μs at V <sub>BAT</sub> ≥ 2.7 V	100		110	
<b>LED DRIVER</b>						
<b>VLED BUCK-BOOST</b>						
V <sub>LED</sub>	Output voltage range		1.2		5.5	V
	Default output voltage	SW4, SW5, SW6 in OPEN position		3.5		
V <sub>OVP</sub>	Output overvoltage protection	Clamps buck-boost output	5.5		7	V
V <sub>LED_OVP</sub>	Fault detection threshold	Triggers VLED_OVP interrupt		5.4		V
I <sub>SW</sub>	Switch current limit		3.5	4.0	4.5	A
R <sub>DS(ON)</sub>	MOSFET ON-resistance	Switch A (from V <sub>INL</sub> to L1)		50		mΩ
		Switch B (from L1 to PGNDL)		50		
		Switch C (from L2 to PGNDL)		50		
		Switch D (from L2 to VLED)		50		
f <sub>SW</sub>	Switching frequency			2.25		MHz
C <sub>OUT</sub>	Output capacitance			2 × 22		μF
<b>RGB STROBE CONTROLLER SWITCHES</b>						
R <sub>DS(ON)</sub>	Drain-source ON-resistance	SW4, SW5, SW6		30	75	mΩ
I <sub>LEAK</sub>	OFF-state leakage current	V <sub>DS</sub> = 5.0 V			1	μA



**Electrical Characteristics (continued)**

over operating free-air temperature range (unless otherwise noted) (see <sup>(1)(2)</sup>)

PARAMETER		TEST CONDITIONS	MIN	TYP	MAX	UNIT
<b>LED CURRENT CONTROL</b>						
$V_f$	LED forward voltage				4.8	V
$I_{LED}$	DLPA2000 LED currents	$V_{IN} \geq 2.3\text{ V}$ , $V_{LED} \leq 4.8\text{ V}$ $R_{LIM} = 100\text{ m}\Omega$ , 0.1%, $T_A = 25^\circ\text{C}$ (see register settings) Current at minimum code 0x00Ch for SWx IDAC[9:0].		25		mA
		$V_{IN} \geq 2.3\text{ V}$ , $V_{LED} \leq 4.8\text{ V}$ $R_{LIM} = 100\text{ m}\Omega$ , 0.1%, $T_A = 25^\circ\text{C}$ (see register settings) Current at maximum code 0x307h for SWx_IDAC[9:0].		750		
	DC current accuracy, SW4, 5, 6	$R_{LIM} = 100\text{ m}\Omega$		25		mA
	Transient LED current limit range	$ILIM[3:0] = 0000$ at $R_{LIM} = 100\text{ m}\Omega$		130		mA
$ILIM[3:0] = 1111$ at $R_{LIM} = 100\text{ m}\Omega$			1500			
$t_{rise}$	Current rise time	$I_{LED}$ from 5% to 95%, $I_{LED} = 300\text{ mA}$ , Transient current limit disabled Not tested in production			50	$\mu\text{s}$
<b>1.1-V REGULATOR</b>						
<b>VCORE (BUCK)</b>						
$V_{IN}$	Input voltage		2.3		6	V
$V_{OUT}$	Nominal fixed output voltage			1.1		V
	DC output voltage accuracy	$0\text{ mA} \leq I_{OUT} \leq 600\text{ mA}$ at $V_{IN} > 2.5\text{ V}$ $V_{OUT} = 1.1\text{ V}$	-1.5%		1.5%	
d	Maximum duty cycle				100%	
$R_{DS(ON)}$	Low-side MOSFET on-resistance	$V_{IN} = 3.6\text{ V}$ , $T_J = 27^\circ\text{C}$		185	380	$\text{m}\Omega$
	High-side MOSFET on-resistance			240	480	$\text{m}\Omega$
$I_{OUT}$	Output current	$V_{IN} > 2.3\text{ V}$		300	600	mA
$I_{LIMIT}$	Switch current limit			1		A
$T_{SS}$	Soft-start time	Time to ramp from 10% to 90% of $V_{OUT}$ , $V_{IN} = 3.6\text{ V}$		250		$\mu\text{s}$
$C_{OUT}$	Output capacitance			10		$\mu\text{F}$
L	Nominal Inductance			2.2		$\mu\text{H}$
<b>LOAD SWITCH</b>						
$V_{IN}$	Input voltage range	LS_IN	1.8		3.6	V
$R_{DS(ON)}$	P-channel MOSFET on-resistance	$V_{IN} = 1.8\text{ V}$ , over full temperature range		385	505	$\text{m}\Omega$
$C_{OUT}$	Output capacitor	Ceramic	4.7	10	12	$\mu\text{F}$
	ESR of output capacitor	Ceramic	5	20	500	$\text{m}\Omega$
<b>MEASUREMENT SYSTEM (AFE)</b>						
G	Amplifier gain (PGA)	AFE_GAIN[1:0] = 01		1.0		V/V
		AFE_GAIN[1:0] = 10		9.5		
		AFE_GAIN[1:0] = 11		18		
$V_{OFS}$	Input referred offset voltage	PGA, AFE_CAL_DIS = 1 Not tested in production	-1		1	mV
		Comparator Not tested in production	-1.5		1.5	
$t_{settle}$	Settling time	To 1% of final value (not tested in production)			15	$\mu\text{s}$
		To 0.1% of final value (not tested in production)			52	

**Electrical Characteristics (continued)**

 over operating free-air temperature range (unless otherwise noted) (see <sup>(1)(2)</sup>)

PARAMETER		TEST CONDITIONS	MIN	TYP	MAX	UNIT
$f_{\text{sample}}$	Sampling rate	Not tested in production			19	kHz
<b>LOGIC LEVELS AND TIMING CHARACTERISTICS</b>						
$V_{\text{OL}}$	Output low-level	$I_{\text{O}} = 0.5\text{-mA}$ sink current (RESETZ, CMP_OUT)	0		0.3	V
		$I_{\text{O}} = 5\text{-mA}$ sink current (SPI_DOUT, INTZ)	0		$0.3 \times V_{\text{SPI}}$	
$V_{\text{OH}}$	Output high-level	$I_{\text{O}} = 0.5\text{-mA}$ source current (RESETZ, CMP_OUT)	1.3		2.5	V
		$I_{\text{O}} = 5\text{-mA}$ source current (SPI_DOUT)	$0.7 \times V_{\text{SPI}}$		$V_{\text{SPI}}$	
$V_{\text{IL}}$	Input low-level	PROJ_ON, LED_SEL0, LED_SEL1	0		0.4	V
		SPI_CSZ, SPI_CLK, SPI_DIN	0		$0.3 \times V_{\text{SPI}}$	
$V_{\text{IH}}$	Input high-level	PROJ_ON, LED_SEL0, LED_SEL1	1.2			V
		SPI_CSZ, SPI_CLK, SPI_DIN	$0.7 \times V_{\text{SPI}}$		$V_{\text{SPI}}$	
$I_{\text{BIAS}}$	Input bias current	$V_{\text{IO}} = 3.3\text{ V}$ , any input pin			0.5	$\mu\text{A}$
$t_{\text{DEGLITCH}}$	Deglitch time	PROJ_ON, (not tested in production)		1		ms
		LED_SEL0, LED_SEL1 pins (not tested in production)		300		ns
<b>INTERNAL OSCILLATOR</b>						
$f_{\text{OSC}}$	Oscillator frequency			9		MHz
	Frequency accuracy	$T_{\text{A}} = -30$ to $85^{\circ}\text{C}$	-10%		10%	
<b>THERMAL SHUTDOWN</b>						
$T_{\text{WARN}}$	Thermal warning (HOT threshold)			120		$^{\circ}\text{C}$
	Hysteresis			10		
$T_{\text{SHTDWN}}$	Thermal shutdown (TSD threshold)			150		$^{\circ}\text{C}$
	Hysteresis			15		
<b>MOTOR DRIVER</b>						
<b>POWER SUPPLY</b>						
$V_{\text{INM}}$	Operating motor supply voltage		2		6	V
$I_{\text{M}}$	Operating motor current				500 <sup>(4)</sup>	mA
<b>H-BRIDGE FETS</b>						
$R_{\text{DS(ON)}}$	HS + LS FET on resistance	$V_{\text{V2V5}} = 2.5\text{ V}$ , $V_{\text{M}} = 3\text{ V}$ , $I_{\text{O}} = 200\text{ mA}$ , $T_{\text{J}} = 25^{\circ}\text{C}$		1.9	2.1	$\Omega$
$I_{\text{OFF}}$	Off-state leakage current				$\pm 200$	nA
<b>MOTOR DRIVER PROTECTION CIRCUITS</b>						
$I_{\text{OCP}}$	Overcurrent protection trip level per A-out or B-out pin		0.53		1.16	A
$t_{\text{TSD}}$	Thermal shutdown temperature	Die temperature	150	160	180	$^{\circ}\text{C}$

(4) Power dissipation and thermal limits must be observed

### 6.7 Motor Driver Timing Requirements

The table lists the timing numbers to drive the motor voltages correctly, while Figure 2 shows the timing sequences.

NUMBER		MIN	MAX	UNIT
1	$t_1$		300	ns
2	$t_2$		200	ns
3	$t_3$		200	ns
4	$t_4$		300	ns
5	$t_5$		200	ns
6	$t_6$		300	ns
7	$t_7$		300	ns
8	$t_8$		300	ns
9	$t_9$		160	ns
10	$t_{10}$		160	ns
11	$t_R$	30	188	ns
12	$t_F$	30	188	ns

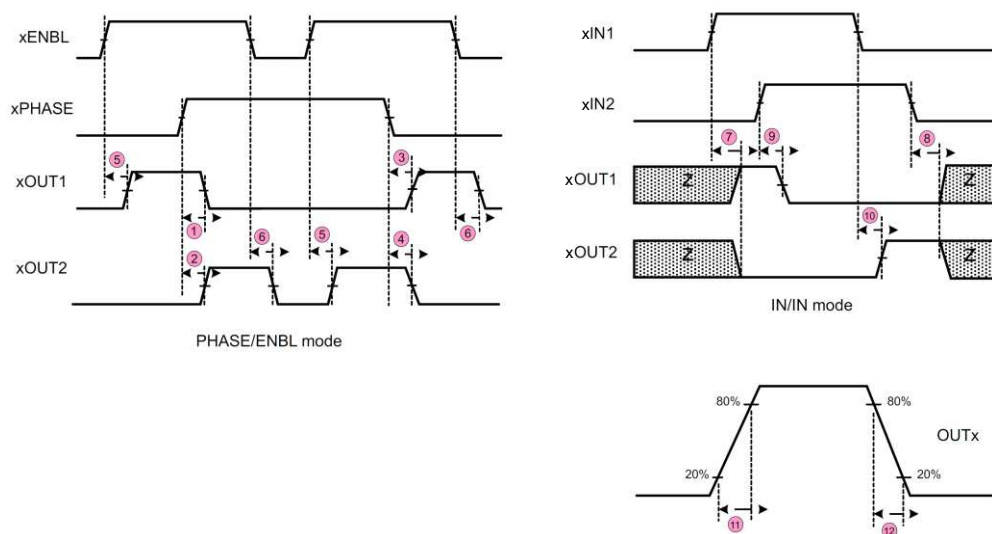


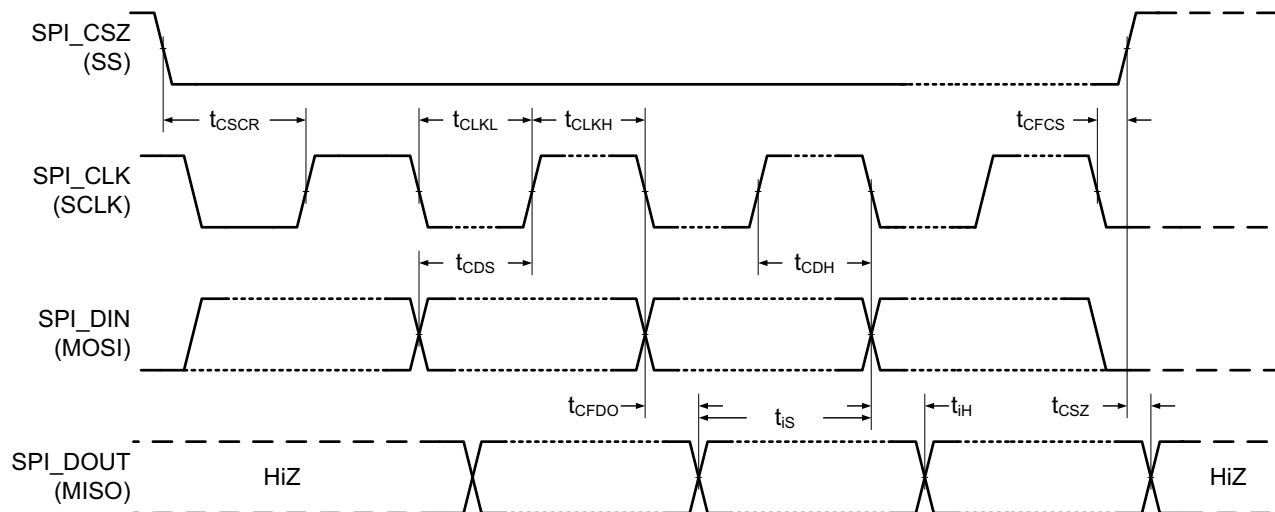
Figure 2. Bridge Control

## 6.8 Data Transmission Timing Requirements

VBAT = 3.6 ± 5%, T<sub>A</sub> = 25 °C, C<sub>L</sub> = 10 pF (unless otherwise noted)

		MIN	NOM	MAX	UNIT
f <sub>CLK</sub>	Serial clock frequency	0		36	MHz
t <sub>CLKL</sub>	Pulse width low, SPI_CLK, 50% level	10			ns
t <sub>CLKH</sub>	Pulse width high, SPI_CLK, 50% level	10			ns
t <sub>t</sub>	Transition time, 20% to 80% level, all signals	0.2		4	ns
t <sub>CSCR</sub>	SPI_CSZ falling to SPI_CLK rising, 50% level	8			ns
t <sub>CFCS</sub>	SPI_CLK falling to SPI_CSZ rising, 50% level			1	ns
t <sub>CDS</sub>	SPI_DIN data setup time, 50% level	7			ns
t <sub>CDH</sub>	SPI_DIN data hold time, 50% level	6			ns
t <sub>IS</sub>	SPI_DOUT data setup time <sup>(1)</sup> , 50% level	10			ns
t <sub>IH</sub>	SPI_DOUT data hold time <sup>(1)</sup> , 50% level	0			ns
t <sub>CFDO</sub>	SPI_CLK falling to SPI_DOUT data valid, 50% level			13	ns
t <sub>CSZ</sub>	SPI_CSZ rising to SPI_DOUT HiZ			6	ns

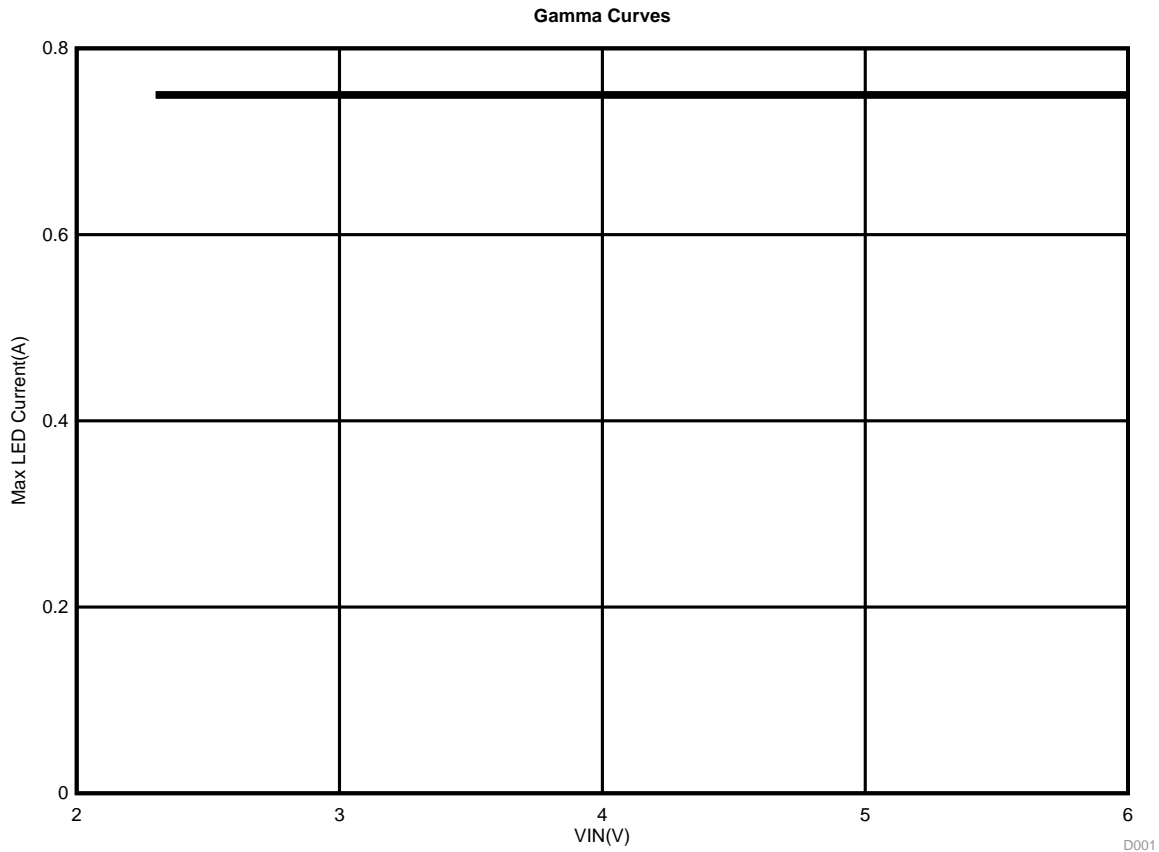
(1) The DPPxxxx processors send and receive data on the falling edge of the clock.



**Figure 3. SPI Timing Diagram**

### 6.9 Typical Characteristics

The maximum output current of the buck-boost is a function of input voltage ( $V_{IN}$ ) and output voltage ( $V_{LED}$ ). The relationship between  $V_{IN}$ ,  $V_{LED}$ , and  $MAX I_{LED}$  is shown in Figure 4. Note that  $V_{LED}$  is the output of the buck-boost regulator, which includes the voltage drop across the sense resistor  $R_{LIM}$  (100 m $\Omega$  typical), internal strobe control switch (75 m $\Omega$  max), and the forward voltage of the LED.



$$2.3 \text{ V} < V_{LED} < 4.8 \text{ V}$$

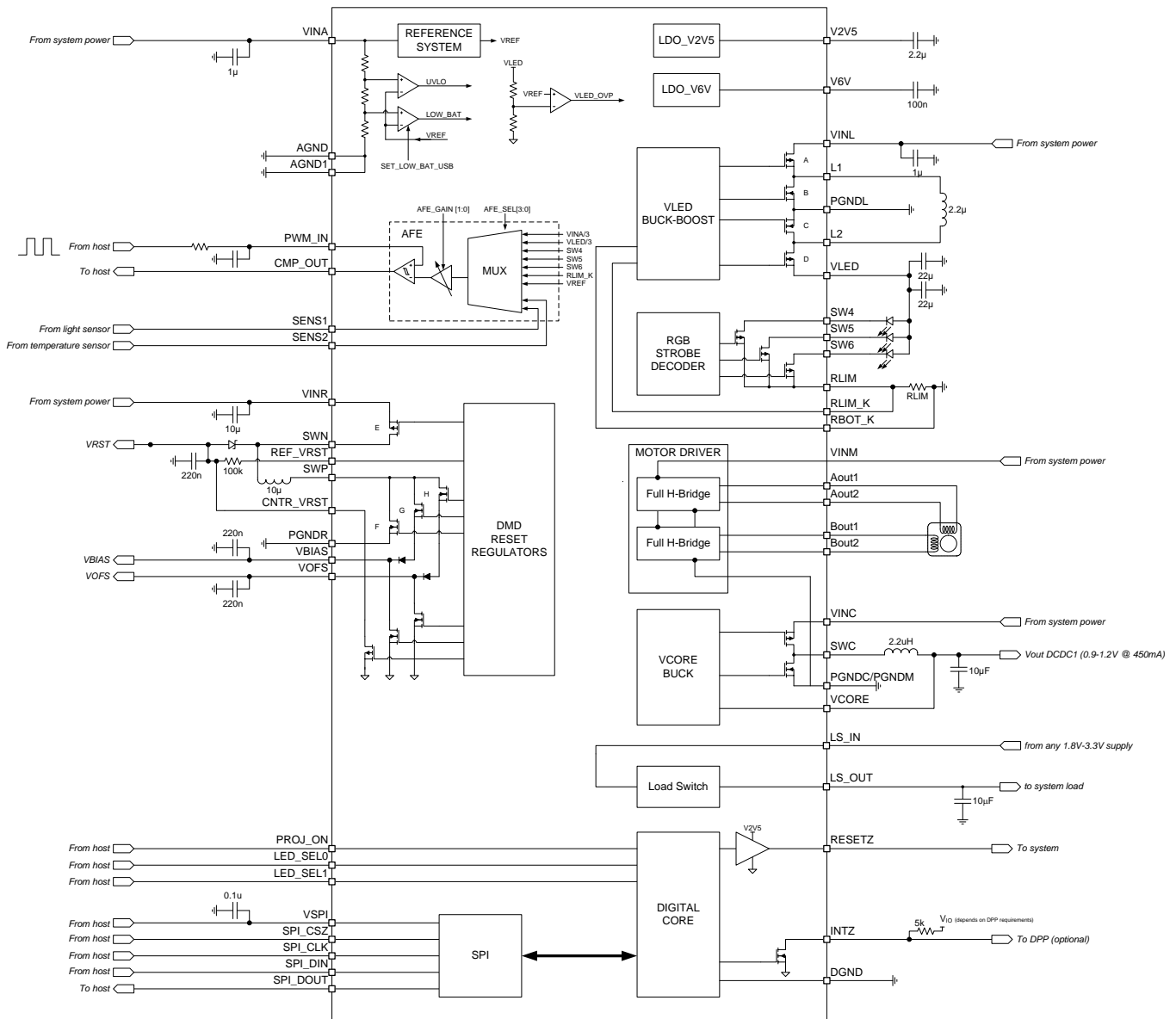
**Figure 4. Maximum LED Output Current as a Function of Input Voltage ( $V_{IN}$ ) and Buck-Boost Output Voltage ( $V_{LED}$ )**

## 7 Detailed Description

### 7.1 Overview

The DLPA2000 is a power management and LED driver IC optimized for DLP video and data display systems and meant for use in either embedded or accessory projector applications. DLPA2000 is part of the chipset comprising of either DLP2010 (0.2 WVGA) DMD and DLPC3430/DLPC3435 controller or the DLP2010NIR (0.2 WVGA NIR) DMD and DLPC150 controller. The DLPA2000 contains a complete LED driver including high efficiency power convertors. The DLPA2000 can supply up to 750 mA per LED. Integrated high-current switches are included for sequentially selecting R, G, and B LEDs. The DLPA2000 also contains three regulated DC supplies for the DMD reset circuitry:  $V_{BIAS}$ ,  $V_{RST}$  and  $V_{OFS}$ , as well as a regulated DC supply of 1.1 V and a load switch for the 1.8 V to support the DLPC3430 or DLPC3435 controller. The DLPA2000 also contains a motor driver which can be used to drive the focus lens motor. The DLPA2000 has a SPI used for setting the configuration. Using SPI, currents can be set independently for each LED with 10-bit resolution. Other features included are the generation of the system reset, power sequencing, input signals for sequentially selecting the active LED, IC self-protections, and an analog MUX for routing analog information to an external ADC.

## 7.2 Functional Block Diagram



- Pin names refer to DLPA2000 pinout
- Pins connected to 'system power' can be locally decoupled with the capacity as indicated in the block diagram. At least adequate decoupling capacity (50  $\mu$ F or more) should be connected at the location the supply is entering the board.

### 7.3 Feature Description

#### 7.3.1 DMD Regulators

DLPA2000 contains three switch-mode power supplies that power the DMD. These rails are  $V_{OFS}$ ,  $V_{BIAS}$ , and  $V_{RST}$ . After pulling the PROJ\_ON pin high, the DMD is first initialized followed by a power-up of the  $V_{OFS}$  line after a small delay of less than 10 ms followed by  $V_{BIAS}$  and  $V_{RST}$  with an additional delay of 145 ms. The LED driver and STROBE DECODER circuit can only be enabled after all three rails are enabled. There are two power-down sequences, the normal power-down timing initiated after pulling the PROJ\_ON pin low, and a fast power-down mode where if any one of the rails encounters a fault such as an output short, all three rails are discharged simultaneously. The detailed power-up and power-down diagrams are shown in Figure 5 and Figure 6.

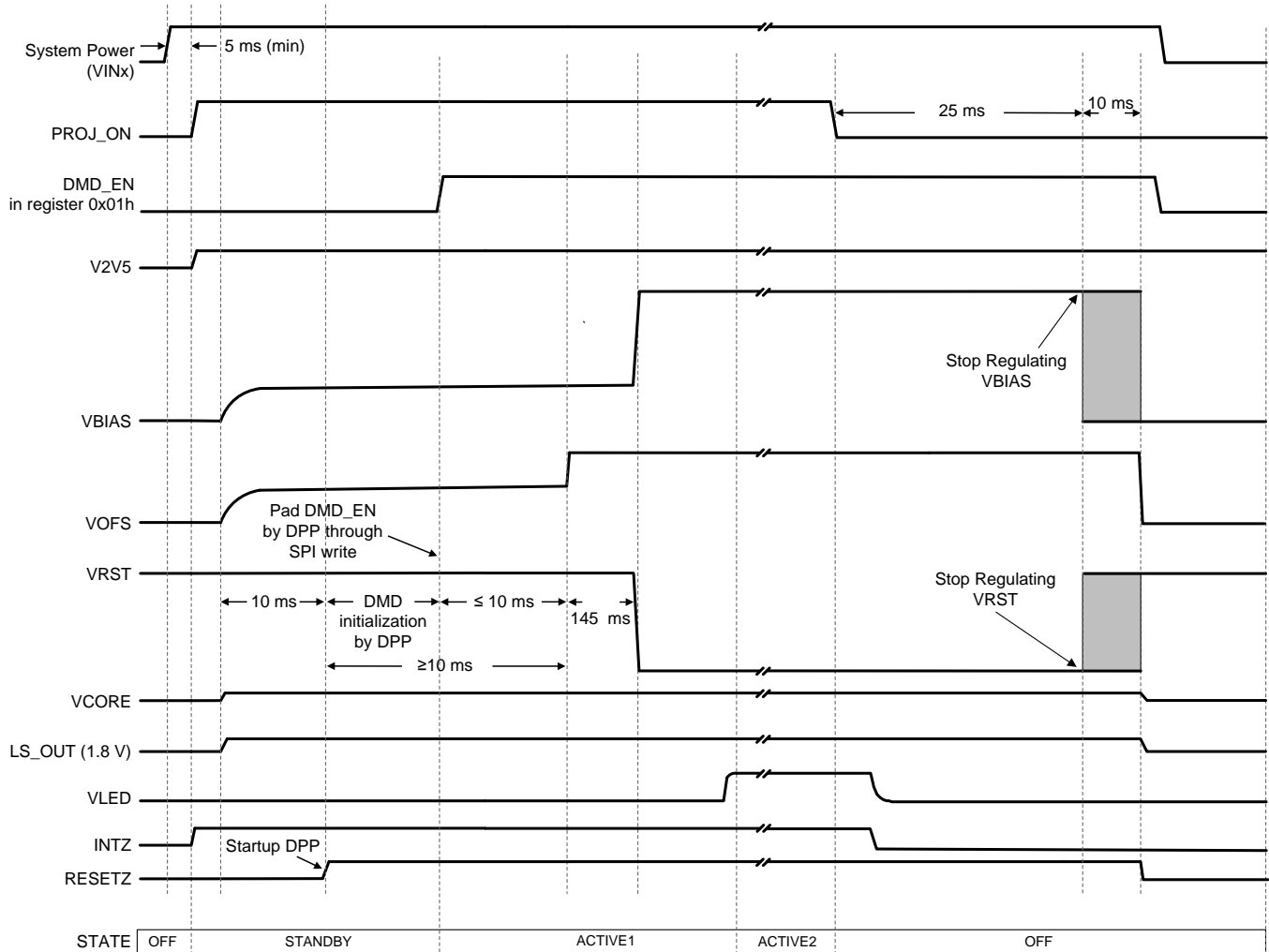


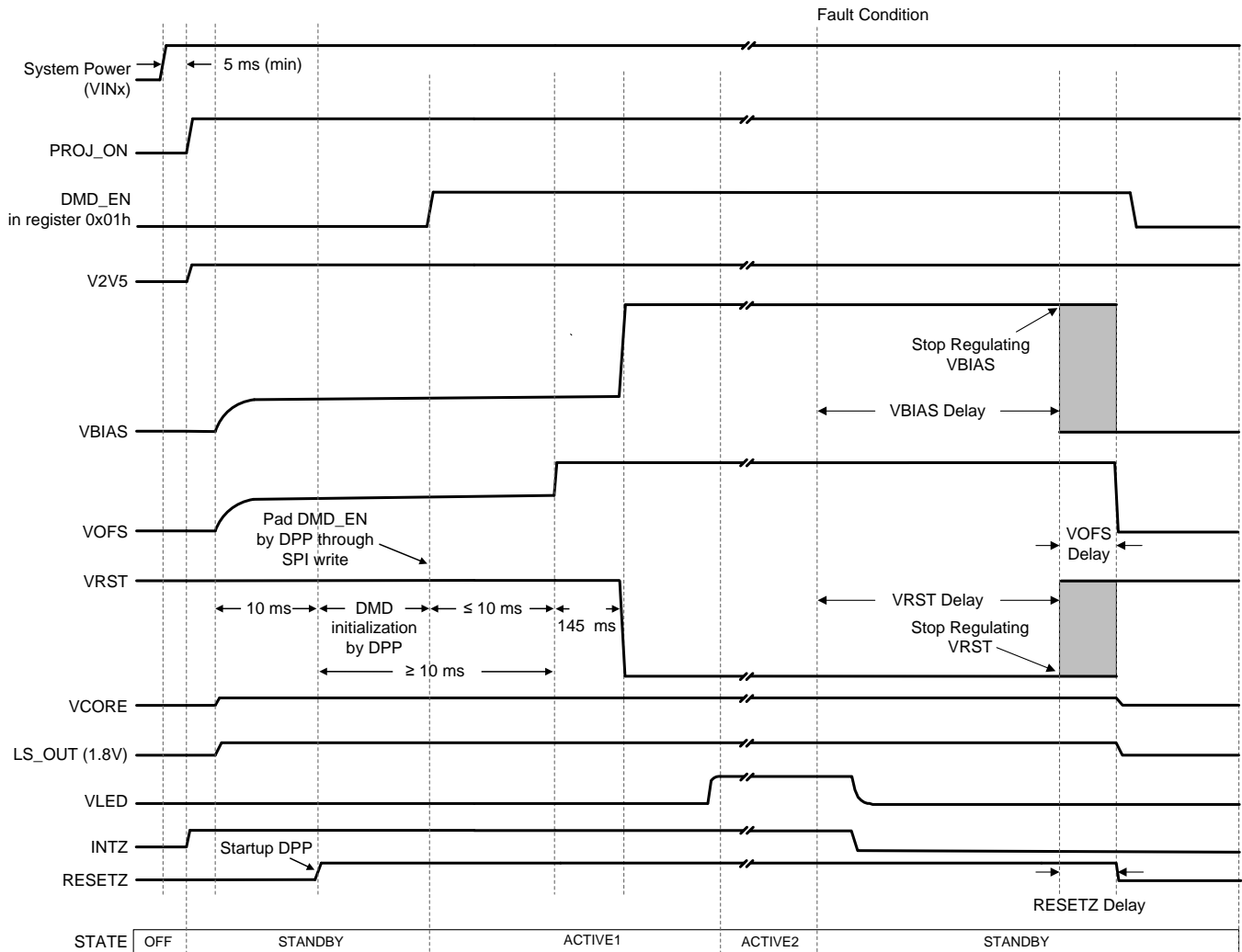
Figure 5. Power Sequence Normal Shutdown Mode

**NOTE**

All values are typical (unless otherwise noted).



Feature Description (continued)



- A. If the FAULT condition happens and its associated interrupt is masked in the interrupt mask register (0Dh), the INTZ does not go low, but all other timing shown in the diagram is unaffected.

Figure 6. Power Sequence Fault Shutdown Mode

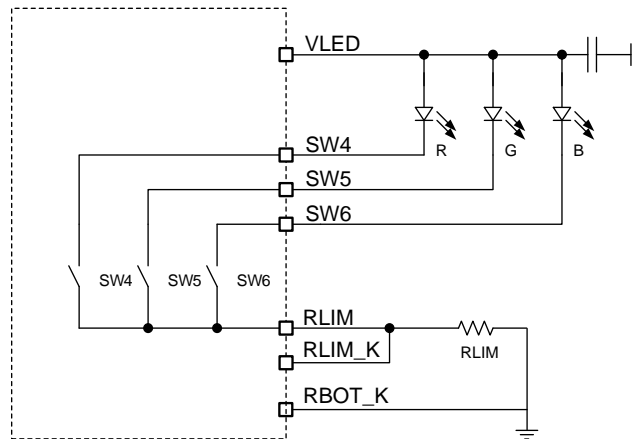
NOTE

All values are typical (unless otherwise noted).

7.3.2 RGB Strobe Decoder

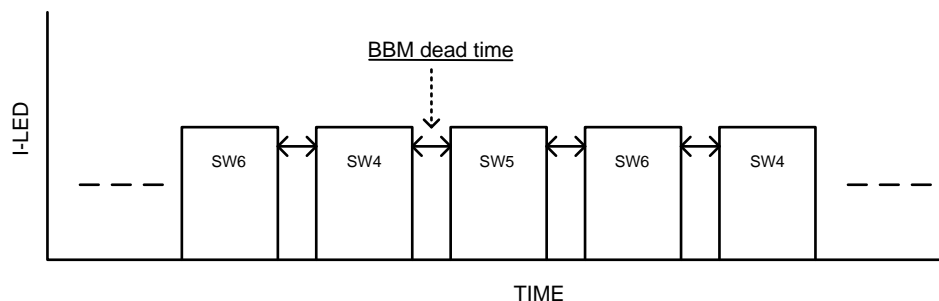
DLPA2000 contains RGB color-sequential circuitry that is composed of three NMOS switches, the LED driver, the strobe decoder, and the LED current control. The NMOS switches are connected to the terminals of the external LED package and turn the currents through the LEDs on and off. Package connections are shown in Figure 7 and Figure 10 and the corresponding switch map is in Table 1.

The LED\_SEL[1:0] signals typically receive a rotating code switching from RED to GREEN to BLUE and then back to RED. When the LED\_SEL[1:0] input signals select a specific color, the NMOSFETs are controlled based on the color selected, and a 10-bit current control DAC for this color is selected that provides a control current to the RGB LEDs' feedback control network.

**Feature Description (continued)**

**Figure 7. Switch Connection for a Common-Anode LED Assembly**
**Table 1. Switch Positions for Common Anode RGB LEDs (MAP = 0)**

Common Anode				
LED_SEL[1:0]	SW6	SW5	SW4	IDAC INPUT
0x00h	Open	Open	Open	N/A
0x01h	Open	Open	Closed	SW4_IDAC[9:0]
0x02h	Open	Closed	Open	SW5_IDAC[9:0]
0x03h	Closed	Open	Open	SW6_IDAC[9:0]

The switching of the three NMOS switches is controlled such that switches are returned to the open position first before the closed connections are made (break before make). The dead time between opening and closing switches is controlled through the BBM register. Switches that already are in the closed position (and are to remain in the closed state according to the SWCNTRL register) are not opened during the BBM delay time.


**Figure 8. BBM Timing (See Register 0Bh in [Figure 27](#))**
**7.3.3 LED Current Control**

DLPA2000 provides time-sequential circuitry to drive three LEDs with independent current control. A system based on a common anode LED configuration is shown in [Figure 10](#) and consists of a buck-boost converter, which provides the voltage to drive the LEDs, three switches connected to the cathodes of the LEDs, an  $R_{LIM}$  resistor used to sense the LED current, and a current DAC to control the LED current. The voltage measured at the pin V(RLIM\_K) is used by the regulator loop.

The STROBE DECODER controls the switch positions as described in the previous section ([RGB Strobe Decoder](#)). With all switches in the open position, the buck-boost output assumes an output voltage of 3.5 V.

For a common-anode RGB LED configuration, the buck-boost output voltage ( $V_{LED}$ ) assumes a value such that the voltage drop across the sense resistor equals:

$$(SW4\_IDAC[9:0]I_{value} + I_{LED}) \times R_{LIM} \quad (1)$$

The exact value of  $V_{LED}$  depends on the current setting and the voltage drop across the LED but is limited to 5.4 V. When the STROBE decoder switches from SW4 to SW5, the buck-boost assumes a new output voltage such that the sense voltage equals:

$$(SW5\_IDAC[9:0]I_{value} + I_{LED}) \times R_{LIM} \quad (2)$$

$$(SW6\_IDAC[9:0]I_{value} + I_{LED}) \times R_{LIM} \quad (3)$$

The relationship between  $V_{IN}$ ,  $V_{LED}$ , and  $MAX I_{LED}$  is shown in [Figure 4](#).

### 7.3.4 Calculating Inductor Peak Current

To properly configure the DLPA2000 device, a 2.2- $\mu$ H inductor must be connected between pin L1 and pin L2. The peak current for the inductor in steady state operation can be calculated.

[Equation 4](#) shows how to calculate the peak current  $I_1$  in step down mode operation, and [Equation 5](#) shows how to calculate the peak current  $I_2$  in boost mode operation.  $V_{IN1}$  is the maximum input voltage,  $V_{IN2}$  is the minimum input voltage,  $f$  is the switching frequency (2.25 MHz), and  $L$  the inductor value (2.2  $\mu$ H).

$$I_1 = \frac{I_{OUT}}{0.8} + \frac{V_{OUT}(V_{IN1} - V_{OUT})}{2 \times V_{IN1} \times f \times L} \quad (4)$$

$$I_2 = \frac{V_{OUT} \times I_{OUT}}{0.8 \times V_{IN2}} + \frac{V_{IN2}(V_{OUT} - V_{IN2})}{2 \times V_{OUT} \times f \times L} \quad (5)$$

The critical current value for selecting the right inductor is the higher value of  $I_1$  and  $I_2$ . Also consider that load transients and error conditions may cause higher inductor currents. This needs to be accounted for when selecting an appropriate inductor. Internally the switching current is limited to a maximum of 4 A.

### 7.3.5 LED Current Accuracy

The LED drive current is controlled by a current digital-to-analog converter (DAC) and can be set independently for switch SW4, SW5, and SW6. The DAC is trimmed at a current of 750 mA for the DLPA2000 at code: 0x307h. The DLPA2000 current step size is 0.95 mA.

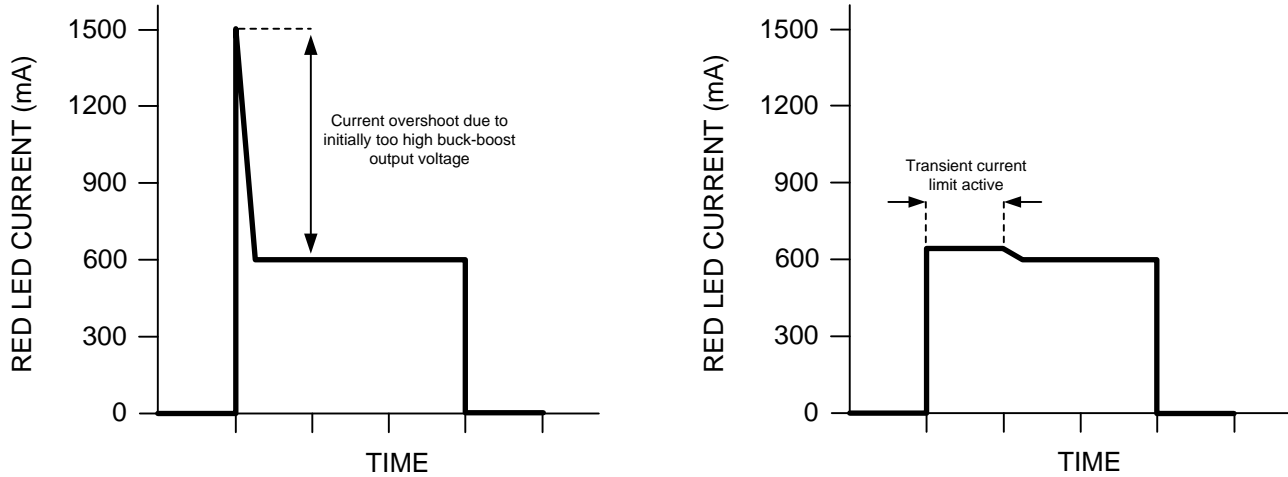
First order gain-error of the DAC can be neglected, but an offset current error must be taken into account. This offset error differs depending on the used  $R_{LIM}$  and will be  $\pm 25$  mA for the DLPA2000 for a 100-m $\Omega$  current sense resistor.

The max current of the DLPA2000 ( $SWx\_IDAC[9:0] = 0x307h$ ) is regulated to 750 mA. At the lowest setting ( $SWx\_IDAC[9:0] = 0x001h$ ) the current is regulated to 14 mA for the DLPA2000. For this current setting (0x001h), the absolute current error results into a large relative error; however, this is not a typical operating point.

Be aware that the LED current setting not only depends on the accuracy of the  $R_{LIM}$  resistor, but also strongly depends on the added resistance of PCB traces and soldering quality. Due to the low value of the current sense resistor  $R_{LIM}$ , any extra introduced resistance (for example several m $\Omega$ ) will result in a noticeable different LED current.

### 7.3.6 Transient Current Limiting

Typically the forward voltages of the green and blue diodes are close to each other (about 3 V to 4 V). However, the forward voltage of the red diode is significantly lower (1.8 V to 2.5 V). This can lead to a current spike in the red diode when the strobe controller switches from green or blue to red because VLED is initially at a higher voltage than required to drive the RED diode. DLPA2000 provides transient current limiting for each switch to limit the current in the LEDs during the transition. The transient current limit value is controlled through the ILIM[3:0] bits in the IREG register. The same register also contains three bits to select which switch employs the transient current limiting feature. In a typical application, the transient current limit will only apply to the RED diode, and the ILIM[3:0] value will typically be set approximately 10% higher than the DC regulation current. The effect that the transient current limit has on the LED current is shown in [Figure 9](#).



Red LED current without transient current limit. The current overshoots because the buck-boost voltage starts at the (higher) level of the green or blue LED.

LED current with transient current limit.

**Figure 9. RED LED Current With and Without Transient Current Limit**

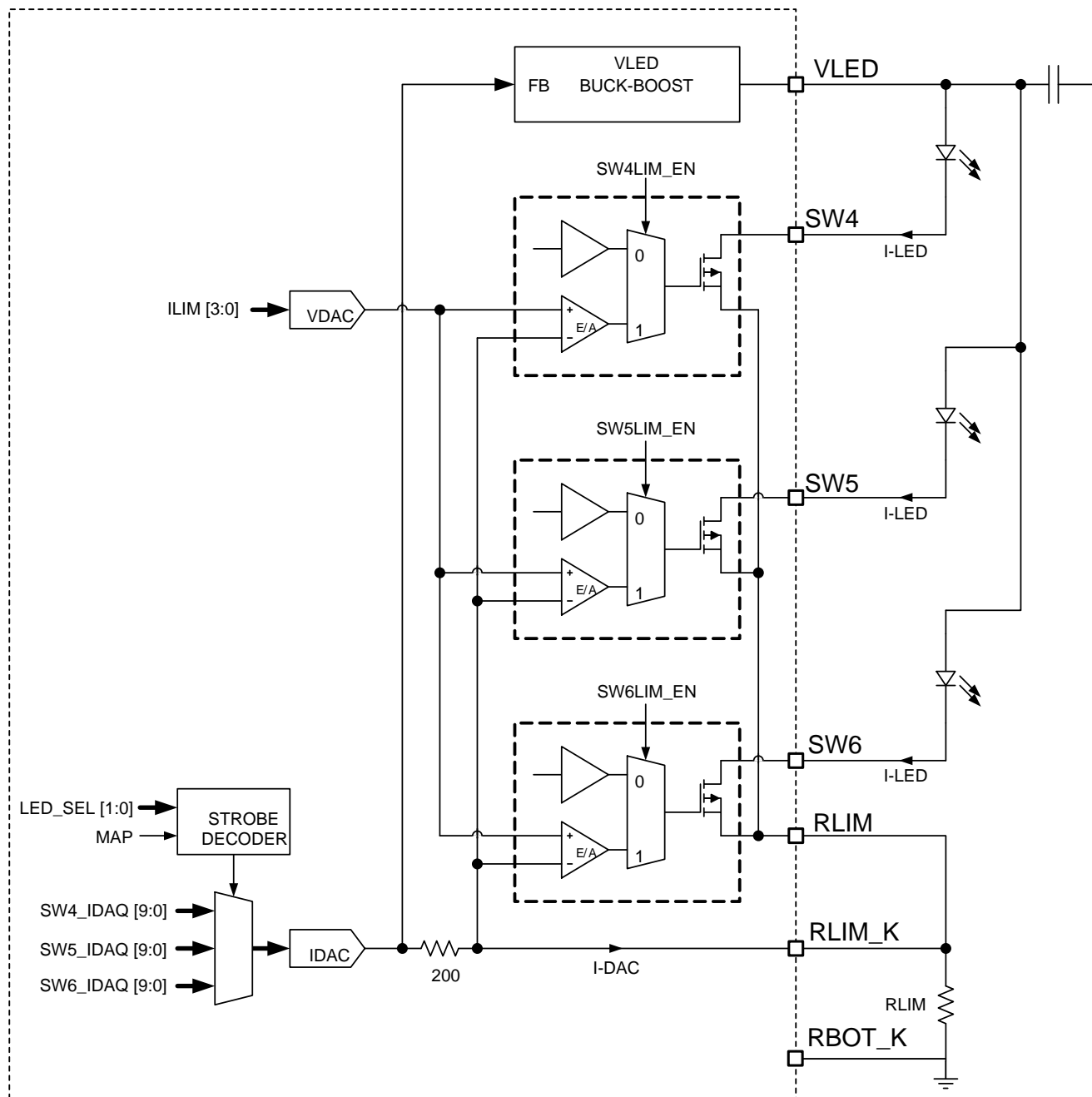


Figure 10. LED Driver Block Diagram

### 7.3.7 1.1-V Regulator (Buck Converter)

The buck converter creates a voltage of 1.1 V, and due to its switching nature, an output ripple with a frequency of approximately 2.25 MHz occurs on its output. This ripple is strongly dependent on the decoupling capacitor at the output in combination with the inductor. The magnitude of the ripple can be calculated with Equation 6.

$$\Delta V_{\text{CORE}} = V_{\text{CORE}} \times \frac{1 - \frac{V_{\text{CORE}}}{V_{\text{INC}}}}{L \times f} \times \left( \frac{1}{8 \times C_{\text{OUT}} \times f} + \text{ESR} \right) \quad (6)$$

The best way to minimize this ripple is to select a capacitor with a very-low ESR.

### 7.3.8 Motor Driver

Two control modes are available in the DLPA2000: IN/IN mode and PHASE/ENABLE mode. IN/IN mode is selected if the MODE pin is driven low or left unconnected; PHASE/ENABLE mode is selected if the MODE pin is driven to logic high. [Table 2](#) and [Table 3](#) show the logic for these modes.

The main difference between both modes is that to change the rotation direction for IN/IN mode, both xIN1 and xIN2 signals must change polarity, while for PHASE/ENABLE mode, the PHASE signal must be held high while the PHASE signal is used to change rotation direction for a DC motor. In case a stepper motor is used, the sequence of OUT1 and OUT2 determines the rotation direction.

The motor position is changed by using the internal, register-generated, control signals AIN1 and AIN2 (register 0F[123:122] in combination with BIN1 and BIN2 (register 0F[121:120]).

**Table 2. IN/IN Mode (See [Figure 31](#))**

MD_MODE BIT 124 REG 0Fh	xIN1	xIN2	xOUT1	xOUT2	FUNCTION (DC MOTOR)
0	0	0	Z	Z	Coast
0	0	1	L	H	Reverse
0	1	0	H	L	Forward
0	1	1	L	L	Brake

**Table 3. PHASE/ENABLE Mode (See [Figure 31](#))**

MD_MODE BIT 124 REG 0Fh	xIN1 (ENABLE)	xIN2 (PHASE)	xOUT1	xOUT2	FUNCTION (DC MOTOR)
1	0	X	L	L	Brake
1	1	1	L	H	Reverse
1	1	0	H	L	Forward

#### 7.3.8.1 Motor Driver Overcurrent Protection

An analog current limit circuit on each FET limits the current through the FET by removing the gate drive. If this analog current limit persists for a longer period of time than the overcurrent deglitch time, all FETs in the H-bridge will be disabled. After approximately 1 ms, the bridge will be re-enabled automatically.

### 7.3.9 Measurement System

The measurement system is composed of a 10:1 analog multiplexer (MUX), a programmable-gain amplifier, and a comparator. It works together with the DPP processor to provide:

- White-point correction (WPC) by independently adjusting the RGB LED currents after measuring the brightness of each color with an external light sensor
- A measurement of the:
  - Battery voltage
  - LED forward voltage
  - Exact LED current
  - Temperature as derived by measuring the voltage across an external thermistor

[Figure 11](#) shows a block diagram of the measurement system.

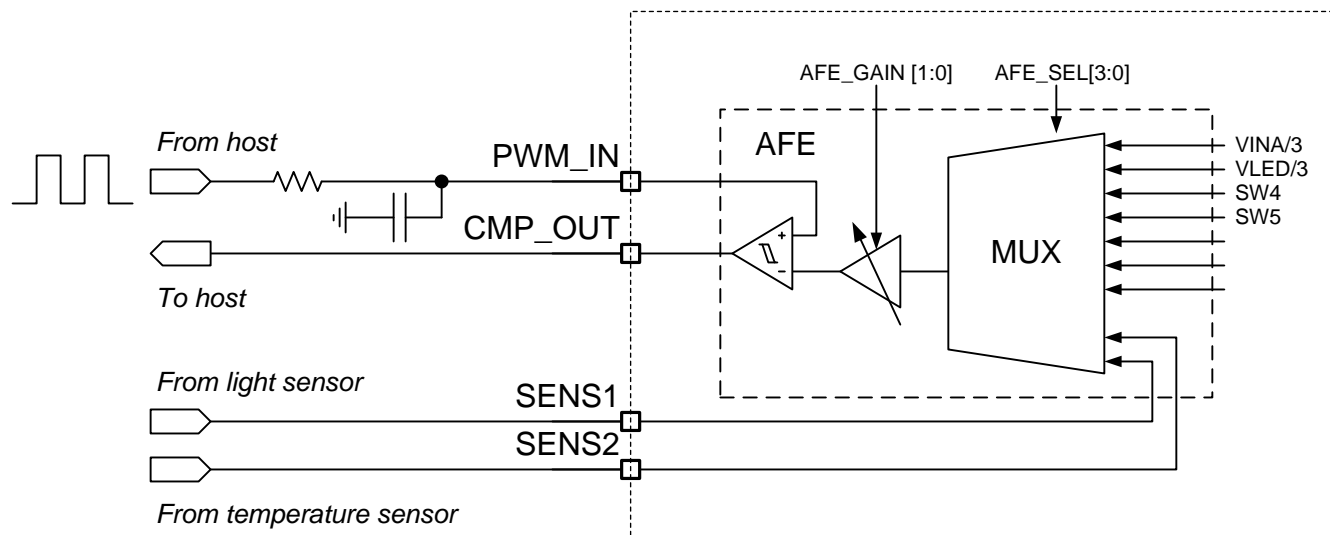


Figure 11. Block Diagram of the Measurement System

Table 4. Recommended Configuration of the AFE for Different Input Selections

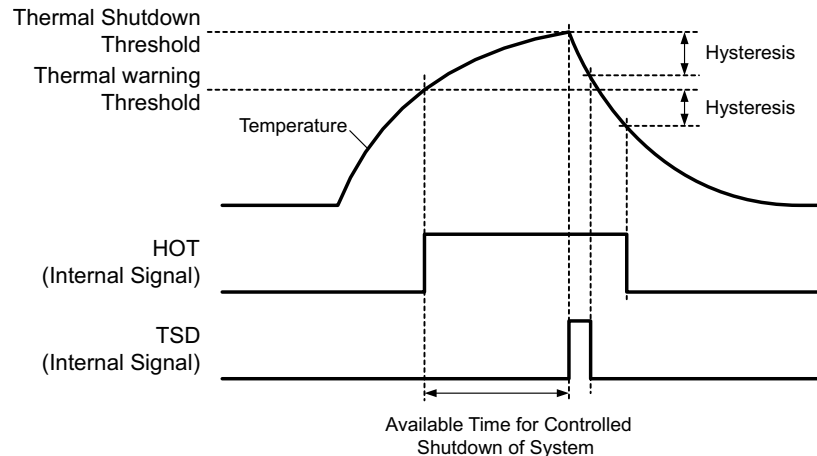
AFE_SEL[3:0]	SELECTED INPUT	RECOMMENDED GAIN SETTING AFE-GAIN[1:0]	RECOMMENDED SETTING OF AFE_CAL_DIS BIT
0x00h	SENS2	0x01h (1x)	Setting has no effect on measurement.
0x01h	VLED	0x01h (1x)	Setting has no effect on measurement.
0x02h	VINA	0x01h (1x)	Setting has no effect on measurement.
0x03h	SENS1	0x01h (1x)	Setting has no effect on measurement.
0x04h	RLIM_K	0x03h (18x)	Set to 1 if sense voltage is >100 mV. Otherwise set to 0 (default).
0x05h	SW4	0x02h (9.5x)	Set to 1 if sense voltage is >200 mV. Otherwise set to 0 (default).
0x06h	SW5	0x02h (9.5x)	Set to 1 if sense voltage is >200 mV. Otherwise set to 0 (default).
0x07h	SW6	0x02h (9.5x)	Set to 1 if sense voltage is >200 mV. Otherwise set to 0 (default).
0x08h	No connect	N/A	N/A.
0x09h	VREF	0x01h (1x)	Setting has no effect on measurement.

### 7.3.10 Protection Circuits

DLPA2000 has several protection circuits to protect the IC and system from damage due to excessive power consumption, die temperature, or over-voltages. These circuits are described in the following sections.

#### 7.3.10.1 Thermal Warning (HOT) and Thermal Shutdown (TSD)

DLPA2000 continuously monitors the junction temperature and issues a HOT interrupt if temperature exceeds the HOT threshold. If the temperature continues to increase above the thermal shutdown threshold, all rails are disabled and the TSD bit in the INT register is set. After the temperature drops below its threshold, the system recovers and waits for the DPP to resend the DMD\_EN bit.



**Figure 12. Definition of the Thermal Shutdown and Hot-Die Temperature Warning**

### 7.3.10.2 Low Battery Warning (BAT\_LOW) and Undervoltage Lockout (UVLO)

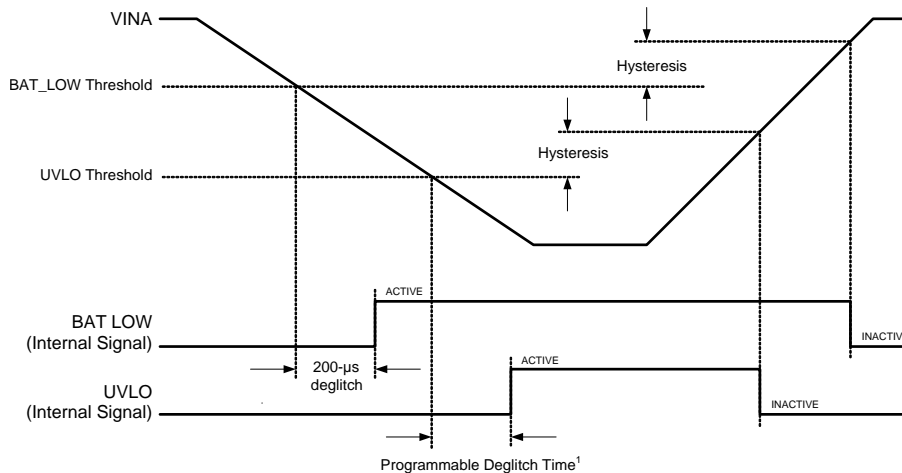
If the battery voltage drops below the BAT\_LOW threshold (typically 3.0 V) the BAT\_LOW interrupt is issued, but normal operation continues. After the battery drops below the undervoltage threshold which has a default hardcoded value of 2.3 V (this UVLO voltage can be changed through register 09h from 2.3 V to 4.5 V), the UVLO interrupt is issued, all rails are powered down in sequence, the DMD\_EN bit is reset, and the part enters STANDBY mode. The power rails cannot be re-enabled before the input voltage recovers to >2.4 V. To re-enable the rails, the PROJ\_ON pin must be toggled. The undervoltage threshold is programmable from 2.3 V to 4.5 V in 31 steps.

The UVLO shutdown process will protect the DMD by allowing time for the mirrors to park, then doing a fast discharge of  $V_{OFS}$ ,  $V_{RST}$ , and  $V_{BIAS}$ . This protection occurs even in the case of sudden battery removal from the projector, as long as the bulk capacitance on the battery voltage ( $V_{INx}$ ) keeps this voltage above 2.3 V for as long as needed for  $V_{OFS}$ ,  $V_{RST}$ , and  $V_{BIAS}$  to discharge to the required safe levels as shown in the DMD data sheet.  $V_{OFS}$ ,  $V_{RST}$ , and  $V_{BIAS}$  discharge times depend on the load capacitance on each regulator. When for instance every supply is decoupled using a capacitor of 0.5  $\mu$ F,  $V_{INx}$  should stay above 2.3 V for at least 100  $\mu$ s after the battery is suddenly removed. During this time, the mirrors can be placed in a safe position and  $V_{OFS}$ ,  $V_{RST}$ , and  $V_{BIAS}$  can be discharged.

#### NOTE

As required by the DMD data sheet, LS\_OUT must stay above 1.65 V until  $V_{OFS}$ ,  $V_{RST}$ , and  $V_{BIAS}$  have discharged to their required safe levels.





A. This time is programmable from 0 to 100 µs.

**Figure 13. UVLO is Asserted When the Input Supply Drops Below the UVLO Threshold**

### 7.3.10.3 DMD Regulator Fault (DMD\_FLT)

The DMD regulator is continuously monitored to check if the output rails are in regulation and if the inductor current increases as expected during a switching cycle. If either one of the output rails drops out of regulation (for example, due to a shorted output) or the inductor current does not increase as expected during a switching cycle (due to a disconnected inductor), the DMD\_FLT interrupt bit is set in the INT register, the DMD\_EN bit is reset, and the DMD regulator is shut down. Resetting the DMD\_EN bit also causes the LED driver to power down. To restart the system, the PROJ\_ON pin must be toggled. In case the interrupt is masked, it is sufficient to set the DMD\_EN bit to restart the system.

### 7.3.10.4 V<sub>6V</sub> Power-Good (V<sub>6V\_PGF</sub>) Fault

The LED driver regulation loop requires the V<sub>6V</sub> rail for proper operation. The rail is continuously monitored and should the output drop below the power-good threshold, the V<sub>6V\_PGF</sub> bit is set. The V<sub>LED</sub> buck-boost is then disabled and attempts to restart automatically.

### 7.3.10.5 V<sub>LED</sub> Overvoltage (V<sub>LED\_OVP</sub>) Fault

If the buck-boost output voltage rises above 5.4 V, the V<sub>LED\_OVP</sub> interrupt is set but the buck-boost regulator is not turned off. A typical condition to cause this fault is an open LED.

### 7.3.10.6 V<sub>LED</sub> Power Save Mode

In normal PWM operation, the efficiency of the V<sub>LED</sub> buck-boost converter dramatically reduces for LED currents below 100 mA. In this case, the power save mode allows high converting efficiency at low output currents by skipping pulses in the switcher's gate driver control.

### 7.3.10.7 V<sub>1V8</sub> PG Failure

If for any reason the voltage on the LS\_OUT drops below approximately 1.3 V, then V<sub>OFS</sub>, V<sub>BIAS</sub>, and V<sub>RST</sub> immediately go into fast shut down. Holding off power down to do mirror parking is not included since 1.3 V is too low to wait for this. Reactivating can only be done by toggling the PROJ\_ON off and on again.

### 7.3.10.8 Interrupt Pin (INTZ)

The interrupt pin is used to signal events and fault conditions to the host processor. Whenever a fault or event occurs in the IC, the corresponding interrupt bit is set in the INT register, and the open-drain output is pulled low. The INTZ pin is released (returns to HiZ state) and fault bits are cleared when the INT register is read by the host.

However, if a failure persists, the corresponding INT bit remains set and the INTZ pin is pulled low again after a maximum of 32 µs.

Interrupt events include fault conditions such as power-good faults, over-voltage, over-temperature shutdown, and UVLO. For all interrupt conditions see the interrupt register on [Figure 28](#).

The MASK register is used to mask events from generating interrupts, that is, from pulling the INTZ pin low. The MASK settings affect the INTZ pin only and have no impact on protection and monitor circuits themselves. When an interrupt is masked, the event causing the interrupt still sets the corresponding bit in the INT register. However, it does not pull the INTZ pin low.

### 7.3.10.9 SPI

DLPA2000 provides a 4-wire SPI port that supports high-speed serial data transfers up to 33.3 MHz. Support includes register and data buffer write and read operations. The SPI\_CSZ input serves as the active low chip select for the SPI port. The SPI\_CSZ input must be forced low in order to write or read registers and data buffers. When SPI\_CSZ is forced high, the data at the SPI\_DIN input is ignored, and the SPI\_DOUT output is forced to a high-impedance state. The SPI\_DIN input serves as the serial data input for the port; the SPI\_DOUT output serves as the serial data output. The SPI\_CLK input serves as the serial data clock for both the input and output data. Data is latched at the SPI\_DIN input on the rising edge of SPI\_CLK, while data is clocked out of the SPI\_DOUT output on the falling edge of SPI\_CLK. [Figure 14](#) shows the SPI port protocol. Byte 0 is referred to as the command byte, where the most significant bit is the write/not read bit. For the W/nR bit, a 1 indicates a write operation, while a 0 indicates a read operation. The remaining seven bits of the command byte are the register address targeted by the write or read operation. The SPI port supports write and read operations for multiple sequential register addresses through the implementation of an auto-increment mode. As shown in [Figure 14](#), the auto-increment mode is invoked by simply holding the SPI\_CSZ input low for multiple data bytes. The register address is automatically incremented after each data byte transferred, starting with the address specified by the command byte. After reaching address 0x7Fh the address pointer jumps back to 0x00h.

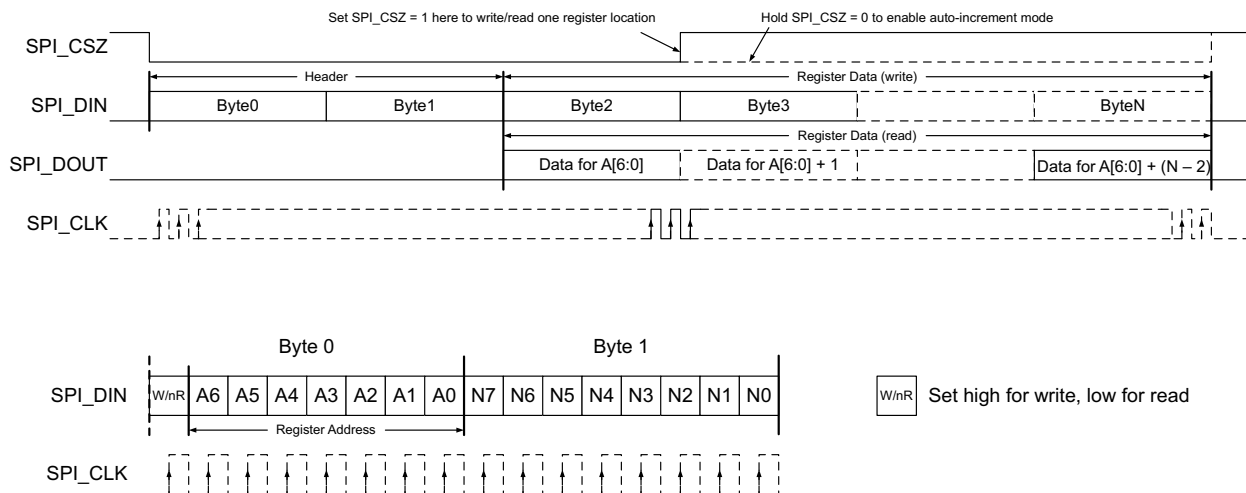


Figure 14. SPI Protocol

### 7.3.11 Password Protected Registers

Register addresses 0x11h through 0x27h can be read-accessed the same way as any other register, but are protected against accidental write operations through the PASSWORD register (address 0x10h). To write to a protected register, follow these steps:

1. Write data 0xBAh to register address 0x10h.
2. Write data 0xBEh to register address 0x10h.

Both writes must be consecutive, that is, there must be no other read or write operation in between sending the two bytes. After the password has been successfully written, registers 0x11h through 0x27h are unlocked and can be write accessed using the regular SPI protocol. They remain unlocked until any byte other than 0xBAh is written to the PASSWORD register or the part is power cycled.

To check if the registers are unlocked, read back the PASSWORD register. If the data returned is 0x00h, the registers are locked. If the PASSWORD register returns 0x01h, the registers are unlocked.

## 7.4 Device Functional Modes

**Table 5. Modes of Operation**

MODE	DESCRIPTION
OFF	This is the lowest-power mode of operation. All power functions are turned off, registers are reset to their default values, and the IC does not respond to SPI commands. RESETZ pin is pulled low. The IC will enter OFF mode whenever the PROJ_ON pin is low.
STANDBY	The DMD regulators and LED power ( $V_{LED}$ ) are turned off, but the IC does respond to the SPI. The device enters STANDBY mode whenever PROJ_ON is set high or DMD_EN <sup>(1)</sup> bit is set to 0 using the SPI interface after PROJ_ON is already high. The device also enters STANDBY mode when a fault condition is detected <sup>(2)</sup> . (See <a href="#">Protection Circuits</a> ).
ACTIVE1	The DMD supplies are enabled but LED power ( $V_{LED}$ ) is disabled. PROJ_ON pin must be high, DMD_EN bit must be set to 1, and $V_{LED\_EN}$ <sup>(3)</sup> bit is set to 0.
ACTIVE2	DMD supplies and LED power are enabled. PROJ_ON pin must be high and DMD_EN and $V_{LED\_EN}$ bits must both be set to 1.

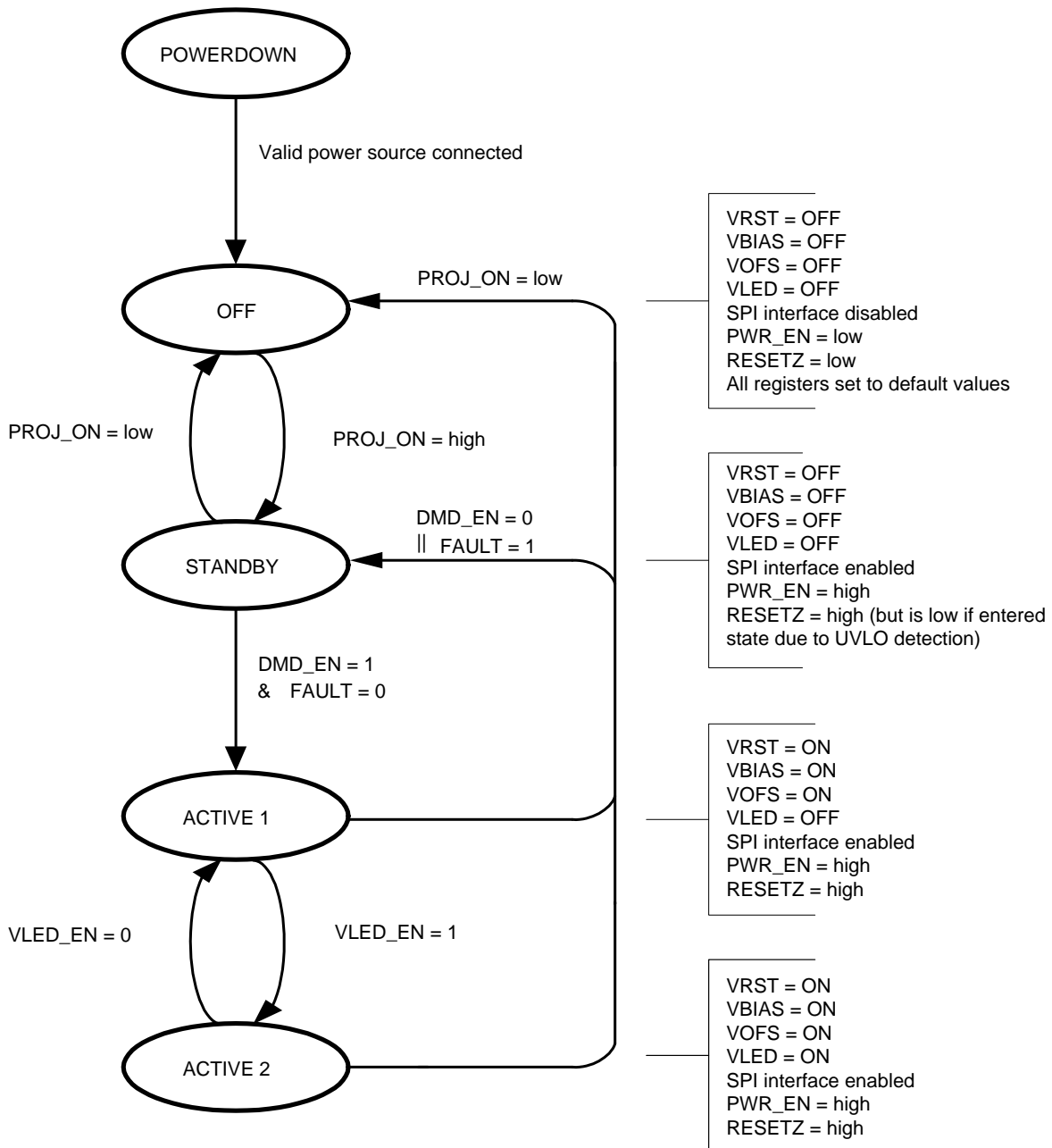
(1) Settings can be done through Reg01h [9] and Reg2E [119].

(2) Power-good faults, over-voltage, overtemperature shutdown, and undervoltage lockout.

(3) Settings can be done through Reg47h [60], bit is named  $V_{LED\_EN\_SET}$ .

**Table 6. Device State as a Function of Control-Pin Status**

PROJ_ON PIN	STATE
LOW	OFF
HIGH	STANDBY ACTIVE1 ACTIVE2 (Device state depends on DMD_EN and $V_{LED\_EN}$ bits and whether there are any fault conditions.)



- A. || = OR, & = AND.
- B. FAULT = Undervoltage on any supply (except LS\_OUT), thermal shutdown, or UVLO detection.
- C. UVLO detection, per the diagram, causes the DLPA2000 to go into the standby state. This is not the lowest power state. If lower power is desired, PROJ\_ON should be set low.
- D. DMD\_EN register bit can be reset or set by SPI writes. DMD\_EN defaults to 0 when PROJ\_ON goes from low to high and then the DPP ASIC software automatically sets it to 1. Also, FAULT = 1 causes the DMD\_EN register bit to be reset.
- E. PWR\_EN is a signal internal to the PAD200x. This signal turns on the VCORE regulator and the load switch that drives pin LS\_OUT.

Figure 15. State Diagram

## 7.5 Register Maps

**Table 7. Register Description**

REGISTER	ADDRESS (HEX)	NAME	TABLE	DESCRIPTION	DEFAULT
<b>USER CONFIGURATION DEFINITIONS</b>					
R	0x00	CHIP ID	Figure 16	Chip revision register; DLPA2000	B3
R/W	0x01	CHIPENABLE	Figure 17	Enable register	0F
R/W	0x02	IREG	Figure 18	Transient-current limit settings	30
R/W	0x03	SW4MSB	Figure 19	Regulation current MSB, SW4	0
R/W	0x04	SW4LSB	Table 12, Table 13	Regulation current LSB, SW4	0
R/W	0x05	SW5MSB	Figure 21	Regulation current MSB, SW5	0
R/W	0x06	SW5LSB	Figure 22, Table 16	Regulation current LSB, SW5	0
R/W	0x07	SW6MSB	Figure 23	Regulation current MSB, SW6	0
R/W	0x08	SW6LSB	Figure 24, Table 19	Regulation current LSB, SW6	0
R/W	0x09	SWCNTRL	Figure 25	Switch ON/OFF control (direct mode)	0
R/W	0x0A	AFE	Figure 26	AFE (MUX) control	0
R/W	0x0B	BBM	Figure 27, Table 22	Break before make timing	0
R	0x0C	INT	Figure 28, Table 23	Interrupt register	0
R/W	0x0D	INT MASK	Figure 29, Table 24	Interrupt mask register	DFh
R/W	0x0E	TIMING	Figure 30, Table 26	Timing register $V_{OFS}$ , $V_{BIAS}$ , $V_{RST}$ , and RESETZ	7
R/W	0x0F	MOTOR CTRL	Figure 31, Table 27	Motor control register	0
<b>USER PROTECTED DEFINITION</b>					
R/W	0x10	PASSWORD	Figure 32	Password register	0
R/W	0x11	SYSTEM	Figure 33	System configuration register	0
<b>USER EEPROM SCRATCH PAD DEFINITION</b>					
R/W	0x20	BYTE0	Figure 34	User EEPROM, Byte0	0
R/W	0x21	BYTE1	Figure 35	User EEPROM, Byte1	0
R/W	0x22	BYTE2	Figure 36	User EEPROM, Byte2	0
R/W	0x23	BYTE3	Figure 37	User EEPROM, Byte3	0
R/W	0x24	BYTE4	Figure 38	User EEPROM, Byte4	0
R/W	0x25	BYTE5	Figure 39	User EEPROM, Byte5	0
R/W	0x26	BYTE6	Figure 40	User EEPROM, Byte6	0
R/W	0x27	BYTE7	Figure 41	User EEPROM, Byte7	0

### 7.5.1 Chip Revision Register

**Figure 16. Chip Revision Register, Address = 00h, HEX = B3**

7	6	5	4	3	2	1	0
CHIP ID [7:0]							
R	R	R	R	R	R	R	R

LEGEND: R/W = Read/Write; R = Read only; -n = value after reset.

**Table 8. Chip Revision Register Field Descriptions**

BIT	FIELD	TYPE	RESET	DESCRIPTION
7:4	CHIP ID	R	1011	CHIPID<3:0>
3:0		R	0011	REVID<3:0>

### 7.5.2 Enable Register

Figure 17. Enable Register, Address = 01h, HEX = 0F

7	6	5	4	3	2	1	0
CHIPENABLE [15:8]							
R/W	R/W	R/W	R/W	R/W	R/W	R/W	R/W

LEGEND: R/W = Read/Write; R = Read only; -n = value after reset

Table 9. Enable Register Field Descriptions

BIT	FIELD	TYPE	RESET	DESCRIPTION
15:12	CHIPENABLE	R/W	0000	USER_GPO<3:0>
11		R/W	1	VLED_POWER_SAVE_MODE_DIS Power save mode is used to improve efficiency at light load.
10		R/W	1	FAST_SHUTDOWN_EN Applicable only during a fault condition. Shutdown timing is defined by register 0Eh (see Figure 7).
9		R/W	1	DMD_EN
8		R/W	1	VLED_EN

### 7.5.3 Transient-Current Limit Settings

Figure 18. Transient-Current Limit Settings, Address = 02h, HEX = 30

7	6	5	4	3	2	1	0
IREG [23:16]							
R/W	R/W	R/W	R/W	R/W	R/W	R/W	R/W

LEGEND: R/W = Read/Write; R = Read only; -n = value after reset.

Table 10. Transient-Current Limit Settings Field Descriptions

BIT	FIELD	TYPE	RESET	DESCRIPTION	
23	RSVD	R/W	0	Not used	
22:19	IREG	R/W	0110	IREG_ILIM<3:0>	
				$R_{LIM} = 100 \text{ m}\Omega$	
				0000	130 mA
				0001	150 mA
				0010	172 mA
				0011	192 mA
				0100	220 mA
				0101	275 mA
				0110	330 mA
				0111	440 mA
				1000	550 mA
				1001	660 mA
				1010	770 mA
18	SW6LIM_EN	R/W	0	SW6LIM_EN Transient current-limit enable for SW6 0 – Transient current-limit is disabled 1 – Transient current-limit is enabled	

**Table 10. Transient-Current Limit Settings Field Descriptions (continued)**

BIT	FIELD	TYPE	RESET	DESCRIPTION
17	SW5LIM_EN	R/W	0	SW5LIM_EN Transient current-limit enable for SW5 0 – Transient current-limit is disabled 1 – Transient current-limit is enabled
16	SW4LIM_EN	R/W	0	SW4LIM_EN Transient current-limit enable for SW4 0 – Transient current-limit is disabled 1 – Transient current-limit is enabled

#### 7.5.4 Regulation Current MSB, SW4

**Figure 19. Regulation Current MSB, SW4, Address = 03h, HEX = 00**

7	6	5	4	3	2	1	0
SW4MSB [31:24]							
R/W	R/W	R/W	R/W	R/W	R/W	R/W	R/W

LEGEND: R/W = Read/Write; R = Read only; -n = value after reset.

**Table 11. Regulation Current MSB, SW4 Field Descriptions<sup>(1)</sup>**

BIT	FIELD	TYPE	RESET	DESCRIPTION
31:26	SW4MSB	R/W	0000	TBD
25:24		R/W	0000	SW4_IDAC<9:8>

(1) The DLPA2000 can use up to code 0x0FFh for SW4\_IDAC[9:0].

#### 7.5.5 Regulation Current LSB, SW4

**Figure 20. Regulation Current LSB, SW4, Address = 04h, HEX = 00**

7	6	5	4	3	2	1	0
SW4LSB [39:32]							
R/W	R/W	R/W	R/W	R/W	R/W	R/W	R/W

LEGEND: R/W = Read/Write; R = Read only; -n = value after reset.

**Table 12. Regulation Current LSB, SW4 Field Descriptions**

BIT	FIELD	TYPE	RESET	DESCRIPTION
39:32	SW4LSB	R/W	00000000	SW4_IDAC<7:0>

**Table 13. Regulation Current LSB, SW4 Bit Definitions**

DLPA2000 <sup>(1)(2)</sup>					
SW4_IDAC[9:0]	LED CURRENT	SW4_IDAC[9:0]	LED CURRENT	SW4_IDAC[9:0]	LED CURRENT
0x000h	0 mA	0x100h	257 mA	0x200h	500 mA
0x00Ch	25 mA	0x101h	258 mA	0x201h	501 mA
0x00Dh	26 mA	0x102h	259 mA	0x202h	502 mA
...	...	...	...	...	...
0x0FEh	255 mA	0x1FEh	498 mA	0x306h	749 mA
0x0FFh	256 mA	0x1FFh	499 mA	0x307h	750 mA

(1) Values shown are for a typical DLPA2000 unit at T = 25°C. Typical step size is 0.95 mA for R<sub>LIM</sub> = 100 mΩ.

(2) The DLPA2000 can use up to code 0x307h for SW4\_IDAC[9:0].

### 7.5.6 Regulation Current MSB, SW5

**Figure 21. Regulation Current MSB, SW5, Address = 05h, HEX = 00**

7	6	5	4	3	2	1	0
SW5MSB [47:40]							
R/W	R/W	R/W	R/W	R/W	R/W	R/W	R/W

LEGEND: R/W = Read/Write; R = Read only; -n = value after reset.

**Table 14. Regulation Current MSB, SW5 Field Descriptions<sup>(1)</sup>**

BIT	FIELD	TYPE	RESET	DESCRIPTION
47:42	SW5MSB	R/W	0000	TBD
41:40		R/W	0000	SW5_IDAC<9:8>

(1) The DLPA2000 can use up to code 0x0FFh for SW5\_IDAC[9:0].

### 7.5.7 Regulation Current LSB, SW5

**Figure 22. Regulation Current LSB, SW5, Address = 06h, HEX = 00**

7	6	5	4	3	2	1	0
SW5LSB [55:48]							
R/W	R/W	R/W	R/W	R/W	R/W	R/W	R/W

LEGEND: R/W = Read/Write; R = Read only; -n = value after reset.

**Table 15. Regulation Current LSB, SW5 Field Descriptions**

BIT	FIELD	TYPE	RESET	DESCRIPTION
55:48	SW5LSB	R/W	00000000	SW5_IDAC<7:0>

**Table 16. Regulation Current LSB, SW5 Bit Definitions**

DLPA2000 <sup>(1)(2)</sup>					
SW5_IDAC[9:0]	LED CURRENT	SW5_IDAC[9:0]	LED CURRENT	SW5_IDAC[9:0]	LED CURRENT
0x000h	0 mA	0x100h	257 mA	0x200h	500 mA
0x00Ch	25 mA	0x101h	258 mA	0x201h	501 mA
0x00Dh	26 mA	0x102h	259 mA	0x202h	502 mA
...	...	...	...	...	...
0x0FEh	255 mA	0x1FEh	498 mA	0x306h	749 mA
0x0FFh	256 mA	0x1FFh	499 mA	0x307h	750 mA

(1) Values shown are for a typical DLPA2000 unit at T = 25°C. Typical step size is 0.95 mA for R<sub>LIM</sub> = 100 mΩ.

(2) The DLPA2000 can use up to code 0x307h for SW5\_IDAC[9:0].



### 7.5.8 Regulation Current MSB, SW6

**Figure 23. Regulation Current MSB, SW6, Address = 07h, HEX = 00**

7	6	5	4	3	2	1	0
SW6MSB [63:56]							
R/W	R/W	R/W	R/W	R/W	R/W	R/W	R/W

LEGEND: R/W = Read/Write; R = Read only; -n = value after reset.

**Table 17. Regulation Current MSB, SW6 Field Descriptions<sup>(1)</sup>**

BIT	FIELD	Type	Reset	Description
63:58	SW6MSB	R/W	0000	TBD
57:56		R/W	0000	SW6_IDAC<9:8>

(1) The DLPA2000 can use up to code 0x0FFh for SW6\_IDAC[9:0].

### 7.5.9 Regulation Current LSB, SW6

**Figure 24. Regulation Current LSB, SW6, Address = 08h, HEX = 00**

7	6	5	4	3	2	1	0
SW6LSB [71:64]							
R/W	R/W	R/W	R/W	R/W	R/W	R/W	R/W

LEGEND: R/W = Read/Write; R = Read only; -n = value after reset.

**Table 18. Regulation Current LSB, SW6 Field Descriptions**

BIT	FIELD	TYPE	RESET	DESCRIPTION
71:64	SW6LSB	R/W	00000000	SW6_IDAC<7:0>

**Table 19. Regulation Current LSB, SW6 Bit Definitions**

DLPA2000 <sup>(1)(2)</sup>					
SW6_IDAC[9:0]	LED CURRENT	SW6_IDAC[9:0]	LED CURRENT	SW6_IDAC[9:0]	LED CURRENT
0x000h	0 mA	0x100h	257 mA	0x200h	500 mA
0x00Ch	25 mA	0x101h	258 mA	0x201h	501 mA
0x00Dh	26 mA	0x102h	259 mA	0x202h	502 mA
...	...	...	...	...	...
0x0FEh	255 mA	0x1FEh	498 mA	0x306h	749 mA
0x0FFh	256 mA	0x1FFh	499 mA	0x307h	750 mA

(1) Values shown are for a typical DLPA2000 unit at T = 25°C. Typical step size is 0.95 mA for R<sub>LIM</sub> = 100 mΩ.

(2) The DLPA2000 can use up to code 0x307h for SW6\_IDAC[9:0].

**7.5.10 Switch On/Off Control (Direct Mode)**

**Figure 25. Switch On/Off Control (Direct Mode), Address = 09h, HEX = 00**

7	6	5	4	3	2	1	0
SWCNTRL [79:72]							
R/W	R/W	R/W	R/W	R/W	R/W	R/W	R/W

LEGEND: R/W = Read/Write; R = Read only; -n = value after reset.

**Table 20. Switch On/Off Control (Direct Mode) Field Descriptions**

BIT	FIELD	TYPE	RESET	DESCRIPTION		
79	SWCNTRL	R/W	0	SW6 (controls switch 6 if direct mode (see reg 11h) is enabled)	00000 00001 ..... 11110 11111	2.3 V (minimum value – default value) 2.37 V Step approximately 70 mV 4.43 V 4.5 V (maximum value)
78		R/W	0	SW5 (controls switch 5 if direct mode (see reg 11h) is enabled)		
77		R/W	0	SW4 (controls switch 4 if direct mode (see reg 11h) is enabled)		
76:72		R/W	00000	UVLO_TRIM<4:0>		

**7.5.11 AFE (MUX) Control**

**Figure 26. AFE (MUX) Control, Address = 0Ah, HEX = 00**

7	6	5	4	3	2	1	0
AFE [87:80]							
R/W	R/W	R/W	R/W	R/W	R/W	R/W	R/W

LEGEND: R/W = Read/Write; R = Read only; -n = value after reset.

**Table 21. AFE (MUX) Control Field Descriptions**

BIT	FIELD	TYPE	RESET	DESCRIPTION
87	AFE	R/W	00	AFE_EN
86		R/W	00	AFE_CAL_DIS
85:84		R/W	00	AFE_GAIN<1:0>
83:80		R/W	00	AFE_SEL<3:0>

**7.5.12 Break Before Make (BBM) Timing**

**Figure 27. BBM Timing, Address = 0Bh, HEX = 00**

7	6	5	4	3	2	1	0
BBM [95:88]							
R/W	R/W	R/W	R/W	R/W	R/W	R/W	R/W

LEGEND: R/W = Read/Write; R = Read only; -n = value after reset.

**Table 22. BBM Timing Field Descriptions<sup>(1)</sup>**

BIT	FIELD	TYPE	RESET	DESCRIPTION			
95:88	BBM	R/W	00000000	BBM_DELAY<7:0>			
0x00 – 0 ns				0x40 – 7326 ns	0x80 – 14430 ns	0xC0 – 21534 ns	
0x01 – 333 ns				0x41 – 7437 ns	0x81 – 14541 ns	0xC1 – 21645 ns	
0x02 – 444 ns				0x42 – 7548 ns	0x82 – 14652 ns	0xC2 – 21756 ns	
...				...	...	...	
0x3E – 7104 ns				0x7E – 14208 ns	0xBE – 21312 ns	0xFE – 28416 ns	
0x3F – 7215 ns				0x7F – 14319 ns	0xBF – 21423 ns	0xFF – 28527 ns	

(1) It takes 333 to 444 ns to turn off the switches from the time a change occurs on LED\_SEL[1:0].

### 7.5.13 Interrupt Register

**Figure 28. Interrupt Register, Address = 0Ch, HEX = 00**

7	6	5	4	3	2	1	0
INT [103:96]							
R	R	R	R	R	R	R	R

LEGEND: R/W = Read/Write; R = Read only; -n = value after reset.

**Table 23. Interrupt Register Field Descriptions**

BIT	FIELD	TYPE	RESET	DESCRIPTION
103	INT	R	0	$V_{LED\_OVP}$ $V_{LED\_buck\_boost}$ overvoltage fault interrupt (normal operation resumes) 0 – No fault 1 – Buck_boost output is above OVP threshold
102		R	0	IREG_PG_FAULT $V_{6V}$ power-good fault interrupt (normal operation resumes) 0 – No fault 1 – $V_{6V}$ is not in regulation
101		R	0	PROJ_ON_INT Proj_On interrupt (part enters OFF mode) 0 – Pin is pulled high, normal mode 1 – Pin is pulled low, alerts the DPP that the DMD regulator is about to shut down.
100		R	0	DMD_FAULT DMD regulator fault (part enters STANDBY mode and DMD_EN bit is cleared) 0 – No fault 1 – The inductor current is not increasing at the correct rate, likely to be caused by an open inductor. Or, one of the regulator outputs has dropped below the power-good threshold, likely to be caused by a short.
99		R	0	UVLO UVLO interrupt (sensed at $V_{INA}$ pin), DMD bit is cleared. 0 – Battery voltage is above the UVLO threshold. 1 – Battery voltage has dropped below the UVLO threshold.
98		R	0	BAT_LOW_WARN Low battery warning interrupt (sensed at $V_{INA}$ pin, normal operation resumes) 0 – Battery voltage is above the low-battery threshold 1 – Battery voltage has dropped below the low-battery threshold
97		R	0	TS_WARN Thermal warning interrupt (normal operation resumes) 0 – Die temperature is in normal operating range 1 – Die temperature is above the HOT threshold Or, part has not cooled down enough to recover from HOT.
96		R	0	TS_WARN Thermal Warning Interrupt (normal operation resumes) 0 – Die temperature is in normal operating range 1 – Die temperature is above the HOT threshold Or, part has not cooled down enough to recover from HOT.

### 7.5.14 Interrupt Mask Register

**Figure 29. Interrupt Mask Register, Address = 0Dh, HEX = DF**

7	6	5	4	3	2	1	0
INT MASK [111:104]							
R/W	R/W	R/W	R/W	R/W	R/W	R/W	R/W

LEGEND: R/W = Read/Write; R = Read only; -n = value after reset.

**Table 24. Interrupt Mask Register Field Descriptions**

BIT	FIELD	TYPE	RESET	DESCRIPTION
111	INT MASK	R/W	1	V <sub>LED</sub> BUCK_BOOST Overvoltage fault interrupt mask 0 – Interrupt is not masked 1 – Interrupt is masked
110		R/W	1	I <sub>REG_PG_FAULT_MASK</sub> 0 – Interrupt is not masked 1 – Interrupt is masked
109		R/W	0	PROJ_ON interrupt mask 0 – Interrupt is not masked 1 – Interrupt is masked
108		R/W	1	DMD_REGULATOR fault mask 0 – Interrupt is not masked 1 – Interrupt is masked
107		R/W	1	UVLO_MASK 0 – Interrupt is not masked 1 – Interrupt is masked
106		R/W	1	Low battery warning mask (sensed at V <sub>INA</sub> pin) 0 – Interrupt is not masked 1 – Interrupt is masked
105		R/W	1	Thermal shutdown interrupt mask 0 – Interrupt is not masked 1 – Interrupt is masked
104		R/W	1	Thermal warning interrupt mask 0 – Interrupt is not masked 1 – Interrupt is masked

**7.5.15 Timing Register  $V_{OFS}$ ,  $V_{BIAS}$ ,  $V_{RST}$ , and RESETZ**
**Figure 30. Timing Register  $V_{OFS}$ ,  $V_{BIAS}$ ,  $V_{RST}$ , and RESETZ, Address = 0Eh, HEX = 07**

7	6	5	4	3	2	1	0
TIMING [119:112]							
R/W	R/W	R/W	R/W	R/W	R/W	R/W	R/W

LEGEND: R/W = Read/Write; R = Read only; -n = value after reset.

**Table 25. Timing Register VOFS, VBIAS, VRST, and RESETZ Field Descriptions**

BIT	FIELD	TYPE	RESET	DESCRIPTION
119:116	TIMING	R/W	0000	$V_{OFS}/RESETZ\_DELAY<3:0>$ (for values see minimum and maximum delay)
115:112		R/W	0111	$V_{BIAS}/V_{RST\_DELAY<3:0>}$ (for values see minimum and maximum delay)

**Table 26. Timing Register  $V_{OFS}$ ,  $V_{BIAS}$ ,  $V_{RST}$ , and RESETZ Bit Definitions**

FIELD NAME	BIT	BIT DEFINITION		
			Minimum Delay ( $\mu$ s)	Maximum Delay ( $\mu$ s)
TIMING	[119:112]	0000	4.0	4.4
		0001	8.0	8.9
		0010	16.0	17.8
		0011	32.0	35.5
		0100	64.0	71.1
		0101	128.0	142.2
		0110	256.0	284.4
		0111	512.0	569.0
		1000	6.2	7.1
		1001	12.4	14.2
		1010	24.9	28.4
		1011	49.8	56.9
		1100	99.5	113.8
		1101	199.1	227.6
		1110	398.3	455.2
		1111	1024.2	1138.0

### 7.5.16 Motor Control Register

**Figure 31. Motor Control Register, Address = 0Fh, HEX = 00<sup>(1)</sup>**

7	6	5	4	3	2	1	0
MOTOR CTRL [127:120]							
R/W	R/W	R/W	R/W	R/W	R/W	R/W	R/W

LEGEND: R/W = Read/Write; R = Read only; -n = value after reset.

 (1)  $V_{INM}$  can be left floating if the motor controller is not used.

**Table 27. Motor Control Register Field Descriptions**

BIT	FIELD	TYPE	RESET	DESCRIPTION
127	MOTOR CTRL	R/W	0	TBD
126		R/W	0	TBD
125		R/W	0	MD_EN
124		R/W	0	MD_MODE
123		R/W	0	MD_AIN1
122		R/W	0	MD_AIN2
121		R/W	0	MD_BIN1
120		R/W	0	MD_BIN2

### 7.5.17 Password Register

**Figure 32. Password Register, Address = 10h, HEX = 00**

7	6	5	4	3	2	1	0
PASSWORD [135:128]							
R/W	R/W	R/W	R/W	R/W	R/W	R/W	R/W

LEGEND: R/W = Read/Write; R = Read only; -n = value after reset

**Table 28. Password Register Field Descriptions**

BIT	FIELD	TYPE	RESET	DESCRIPTION
135:128	PASSWORD	R/W	00000000	USER PASSWORD (0xBAh + 0xBEh) disable (0x00h). Once set, register 11h can be written.

### 7.5.18 System Configuration Register

**Figure 33. System Configuration Register, Address = 11h, HEX = 00**

7	6	5	4	3	2	1	0
SYSTEM [143:136]							
R/W	R/W	R/W	R/W	R/W	R/W	R/W	R/W

LEGEND: R/W = Read/Write; R = Read only; -n = value after reset.

**Table 29. System Configuration Register Field Descriptions**

BIT	FIELD	TYPE	RESET	DESCRIPTION
143:139	SYSTEM	R/W	00000	TBD
138		R/W	0	EEPROM_PROGRAM Program scratch pad values to EEPROM
137		R/W	0	DIRECT_MODE Allows direct control of switches through SW CONTROL REGISTER
136		R/W	0	TBD

### 7.5.19 User EEPROM, BYTE0

**Figure 34. User EEPROM, BYTE0, Address = 20h, HEX = 00**

7	6	5	4	3	2	1	0
BYTE0 [7:0]							
R/W	R/W	R/W	R/W	R/W	R/W	R/W	R/W

LEGEND: R/W = Read/Write; R = Read only; -n = value after reset.

**Table 30. User EEPROM, BYTE0 Field Descriptions**

BIT	FIELD	TYPE	RESET	DESCRIPTION
7:0	BYTE0	R/W	00000000	USER BYTE 0

### 7.5.20 User EEPROM, BYTE1

**Figure 35. User EEPROM, BYTE1, Address = 21h, HEX = 00**

7	6	5	4	3	2	1	0
BYTE1 [15:8]							
R/W	R/W	R/W	R/W	R/W	R/W	R/W	R/W

LEGEND: R/W = Read/Write; R = Read only; -n = value after reset.

**Table 31. User EEPROM, BYTE1 Field Descriptions**

BIT	FIELD	TYPE	RESET	DESCRIPTION
15:8	BYTE1	R/W	00000000	USER BYTE 1

### 7.5.21 User EEPROM, BYTE2

**Figure 36. User EEPROM, BYTE2, Address = 22h, HEX = 00**

7	6	5	4	3	2	1	0
BYTE2 [23:16]							
R/W	R/W	R/W	R/W	R/W	R/W	R/W	R/W

LEGEND: R/W = Read/Write; R = Read only; -n = value after reset.

**Table 32. User EEPROM, BYTE2 Field Descriptions**

BIT	FIELD	TYPE	RESET	DESCRIPTION
23:16	BYTE2	R/W	00000000	USER BYTE 2

### 7.5.22 User EEPROM, BYTE3

**Figure 37. User EEPROM, BYTE3, Address = 23h, HEX = 00**

7	6	5	4	3	2	1	0
BYTE3 [31:24]							
R/W	R/W	R/W	R/W	R/W	R/W	R/W	R/W

LEGEND: R/W = Read/Write; R = Read only; -n = value after reset.

**Table 33. User EEPROM, BYTE3 Field Descriptions**

BIT	FIELD	TYPE	RESET	DESCRIPTION
31:24	BYTE3	R/W	00000000	USER BYTE 3

**7.5.23 User EEPROM, BYTE4**
**Figure 38. User EEPROM, BYTE4, Address = 24h, HEX = 00**

7	6	5	4	3	2	1	0
BYTE4 [39:32]							
R/W	R/W	R/W	R/W	R/W	R/W	R/W	R/W

LEGEND: R/W = Read/Write; R = Read only; -n = value after reset.

**Table 34. User EEPROM, BYTE4 Field Descriptions**

BIT	FIELD	TYPE	RESET	DESCRIPTION
39:32	BYTE4	R/W	00000000	USER BYTE 4

**7.5.24 User EEPROM, BYTE5**
**Figure 39. User EEPROM, BYTE5, Address = 25h, HEX = 00**

7	6	5	4	3	2	1	0
BYTE5 [47:40]							
R/W	R/W	R/W	R/W	R/W	R/W	R/W	R/W

LEGEND: R/W = Read/Write; R = Read only; -n = value after reset.

**Table 35. User EEPROM, BYTE5 Field Descriptions**

BIT	FIELD	TYPE	RESET	DESCRIPTION
47:40	BYTE5	R/W	00000000	USER BYTE 5

**7.5.25 User EEPROM, BYTE6**
**Figure 40. User EEPROM, BYTE6, Address = 26h, HEX = 00**

7	6	5	4	3	2	1	0
BYTE6 [55:48]							
R/W	R/W	R/W	R/W	R/W	R/W	R/W	R/W

LEGEND: R/W = Read/Write; R = Read only; -n = value after reset.

**Table 36. User EEPROM, BYTE6 Field Descriptions**

BIT	FIELD	TYPE	RESET	DESCRIPTION
55:48	BYTE6	R/W	00000000	USER BYTE 6

**7.5.26 User EEPROM, BYTE7**
**Figure 41. User EEPROM, BYTE7, Address = 27h, HEX = 00**

7	6	5	4	3	2	1	0
BYTE7 [63:56]							
R	R	R	R	R	R	R	R

LEGEND: R/W = Read/Write; R = Read only; -n = value after reset.

**Table 37. User EEPROM, BYTE7 Field Descriptions**

BIT	FIELD	TYPE	RESET	DESCRIPTION
63:56	BYTE7	R	00000000	USER BYTE 7



## 8 Application and Implementation

### NOTE

Information in the following applications sections is not part of the TI component specification, and TI does not warrant its accuracy or completeness. TI's customers are responsible for determining suitability of components for their purposes. Customers should validate and test their design implementation to confirm system functionality.

### 8.1 Application Information

A DLPC343x controller can be used with a DLP2010 (0.2 WVGA) DMD or DLP3010 (0.3 720p) DMD to provide a compact, reliable, high-efficiency display solution for many different video display applications. The DMDs are spatial light modulators which reflect incoming light from an illumination source to one of two directions with the primary direction being into collection optics within a projection lens. The projection lens sends the light to the destination needed for the application. Each application is derived primarily from the optical architecture of the system and the format of the pixel data being input into the DLPC343x.

In display applications using the DLP2010 DMD or DLP3010 DMD, the DLPA2000 provides all needed analog functions including the analog power supplies and the RGB LED driver to provide a robust and efficient display solution. Display applications of interest include pico-projectors embedded in display devices like smart phones, tablets, cameras, and camcorders. Other applications include wearable (near-eye) displays, battery-powered mobile accessories, interactive displays, low latency gaming displays, and digital signage.

Alternately, a DLPC150 controller can be used with a DLP2010 or DLP2010NIR DMD. Applications of interest when using the DLPC150 controller include machine vision systems, spectrometers, skin analysis, medical systems, material identification, chemical sensing, infrared projection, and compressive sensing. In a spectroscopy application the DLPC150 controller and DLP2010NIR DMD are often combined with a single element detector to replace expensive InGaAs array-based detector designs. In this application the DMD acts as a wavelength selector reflecting specific wavelengths of light into the single point detector.

### 8.2 Typical Projector Application

A common application when using DLPA2000 with DLP2010 DMD and DLPC3430 controller is for creating a pico-projector embedded in a handheld product. For example, a pico-projector may be embedded in a smart phone, a tablet, a camera, or camcorder. The DLPC3430 in the pico-projector embedded module typically receives images from a host processor within the product as shown in Figure 42. DLPA2000 provides power supply sequencing and controls the LED currents as required by the application.

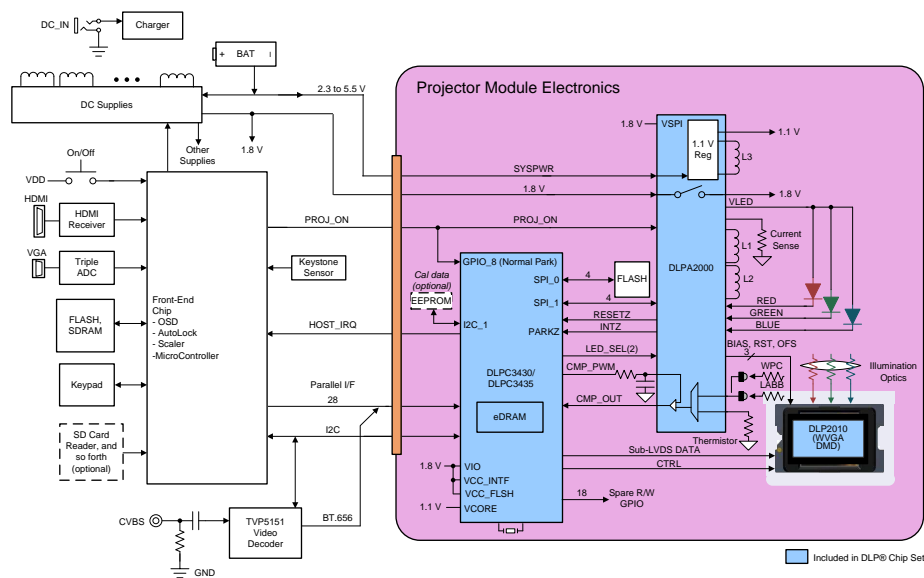


Figure 42. Typical Embedded Setup Using DLPA2000

## Typical Projector Application (continued)

### 8.2.1 Design Requirements

A pico-projector is created by using a DLP chipset comprised of DLP2010 (0.2 WVGA) DMD, DLPC3430, or DLPC3435 controller and DLPA2000 PMIC/LED driver. The DLPC3430 or DLPC3435 does the digital image processing, the DLPA2000 provides the needed analog functions for the projector, and DMD is the display device for producing the projected image.

In addition to the three DLP chips in the chipset, other chips may be needed. At a minimum, a flash part is needed to store the software and firmware to control the DLPC3430 or DLPC3435.

The illumination light that is applied to the DMD is typically from red, green, and blue LEDs. These are often contained in three separate packages, but sometimes more than one color of LED die may be in the same package to reduce the overall size of the pico-projector.

When connecting the DLPC3430 or DLPC3435 to the host processing to receive images, a parallel interface is used. While using the parallel interface, I<sup>2</sup>C should be connected to the host processor for sending commands to the DLPC3430 or DLPC3435.

The only power supplies needed external to the projector are the battery (SYSPWR) and a regulated 1.8-V supply. The entire pico-projector can be turned on and off by using a single signal called PROJ\_ON. When PROJ\_ON is high, the projector turns on and begins displaying images. When PROJ\_ON is set low, the projector turns off and draws just microamps of current on SYSPWR. When PROJ\_ON is set low, the 1.8-V supply can continue to be left at 1.8 V and used by other non-projector sections of the product. If PROJ\_ON is low, the DLPA2000 will not draw current on the 1.8-V supply.

### 8.2.2 Detailed Design Procedure

For connecting together the DLP2010, DLPC3430 or DLPC3435, and DLPA2000, see the reference design schematic. When a circuit board layout is created from this schematic, a very small circuit board is possible. An example small board layout is included in the reference design database. Layout guidelines should be followed to achieve a reliable projector.

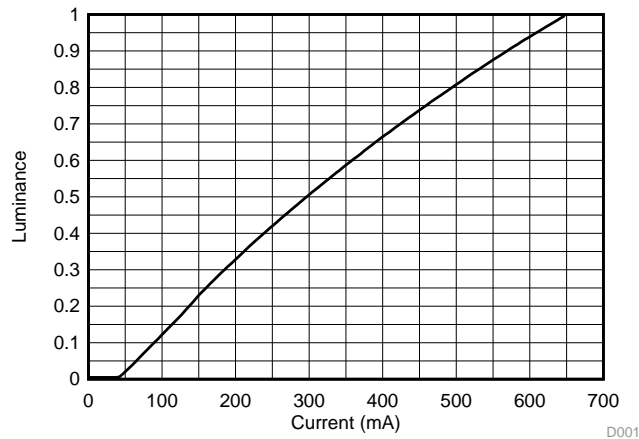
The optical engine that has the LED packages and the DMD mounted to it is typically supplied by an optical OEM who specializes in designing optics for DLP projectors.

A miniature stepper motor can optionally be added to the optical engine for creating a motorized focus. Direct control and driving of the motor can be done by the DLPA2000, and software commands sent over I<sup>2</sup>C to the DLPC3430 or DLPC3435 are available to move the motor to the desired position.

## Typical Projector Application (continued)

### 8.2.3 Application Curve

As the LED currents that are driven time-sequentially through the red, green, and blue LEDs are increased, the brightness of the projector increases. This increase is somewhat non-linear, and the curve for typical white screen lumens changes with LED currents is as shown in [Figure 43](#). For the LED currents shown, it is assumed that the same current amplitude is applied to the red, green, and blue LEDs.



**Figure 43. Luminance vs Current**

### 8.3 Typical Mobile Sensing Application

A typical embedded system application using the DLPC150 controller and the DLPC2010NIR is shown in [Figure 44](#). In this configuration, the DLPC150 controller supports a 24-bit parallel RGB input, typical of LCD interfaces, from an external source or processor. The DLPC150 controller processes the digital input image and converts the data into the format needed by the DLP2010NIR. The DLP2010NIR steers light by setting specific micromirrors to the *on* position, directing light to the detector, while unwanted micromirrors are set to the *off* position, directing light away from the detector. The microprocessor sends binary images to the DLP2010NIR to steer specific wavelengths of light into the detector. The microprocessor uses an analog-to-digital converter to sample the signal received by the detector into a digital value. By sequentially selecting different wavelengths of light and capturing the values at the detector, the microprocessor can then plot a spectral response to the light.

Typical Mobile Sensing Application (continued)

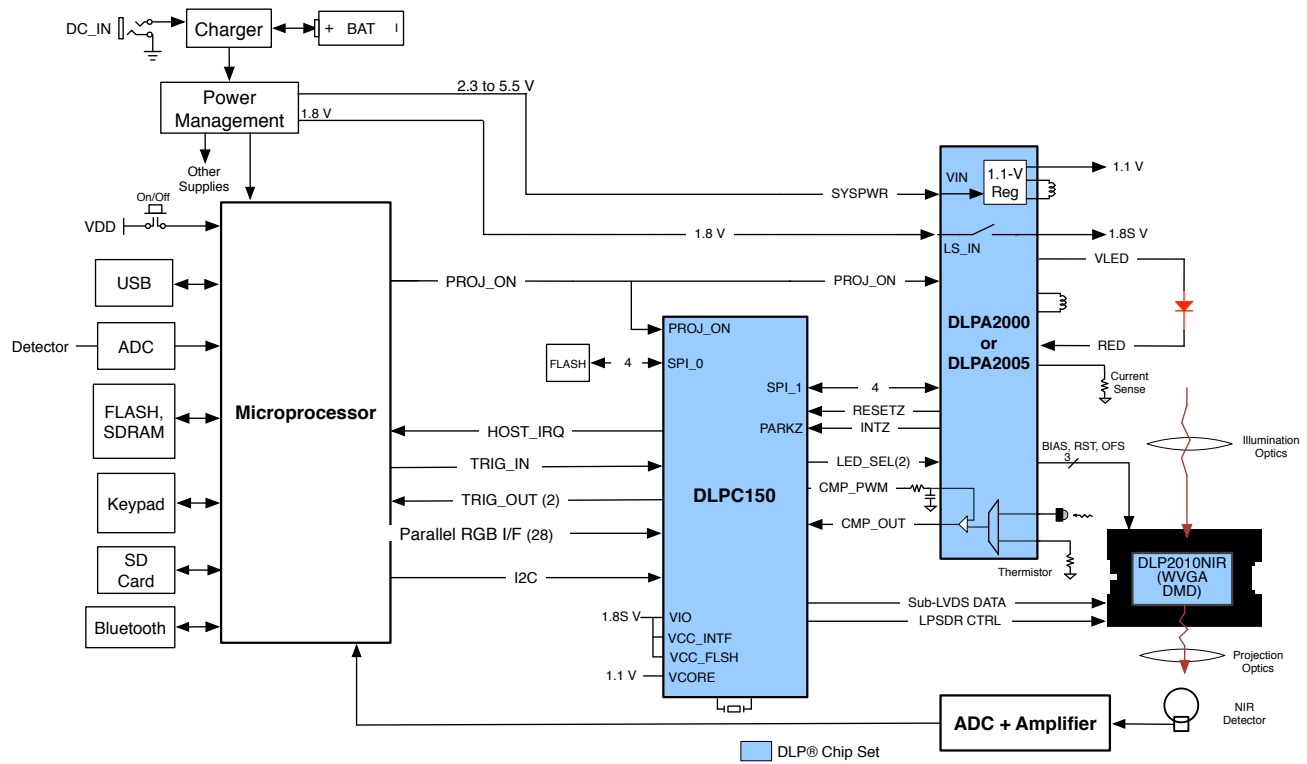


Figure 44. Typical Application Diagram

8.3.1 Design Requirements

All applications using the DLP 0.2-inch WVGA chipset require the:

- DLPC150 controller, and
- DLPA2000 PMIC, and
- DLP2010 or DLP2010NIR DMD

components for operation. The system also requires an external parallel flash memory device loaded with the DLPC150 configuration and support firmware. DLPC150 does the digital image processing and formats the data for the DMD. DLPA2000 PMIC provides the needed analog functions for the DLPC150 and DLP2010 or DLP2010NIR. The chipset has several system interfaces and requires some support circuitry. The following interfaces and support circuitry are required:

- DLPC150 system interfaces:
  - Control interface
  - Trigger interface
  - Input data interface
  - Illumination interface
- DLPC150 support circuitry and interfaces:
  - Reference clock
  - PLL
  - Program memory flash interface
- DMD interfaces:
  - DLPC150 to DMD digital data
  - DLPC150 to DMD control interface
  - DLPC150 to DMD micromirror reset control interface

## Typical Mobile Sensing Application (continued)

### 8.3.2 Detailed Design Procedure

#### 8.3.2.1 Dlp150 System Interfaces

The 0.2-inch WVGA chipset supports a 16-bit or 24-bit parallel RGB interface for image data transfers from another device. There are two primary output interfaces: Illumination driver control interface and sync outputs.

##### 8.3.2.1.1 Control Interface

The 0.2-inch WVGA chipset supports I<sup>2</sup>C commands through the control interface. The control interface allows another master processor to send commands to the DLPC150 controller to query system status or perform realtime operations, such as LED driver current settings.

### 8.3.3 Application Curve

In a reflective spectroscopy application, a broadband light source illuminates a sample and the reflected light spectrum is dispersed onto the DLP2010NIR. A microprocessor in conjunction with the DLPC150 controls individual DLP2010NIR micromirrors to reflect specific wavelengths of light to a single point detector. The microprocessor uses an analog-to-digital converter to sample the signal received by the detector into a digital value. By sequentially selecting different wavelengths of light and capturing the values at the detector, the microprocessor can then plot a spectral response to the light. This systems allows the measurement of the collected light and derive the wavelengths absorbed by the sample. This process leads to the absorption spectrum shown in [Figure 45](#).

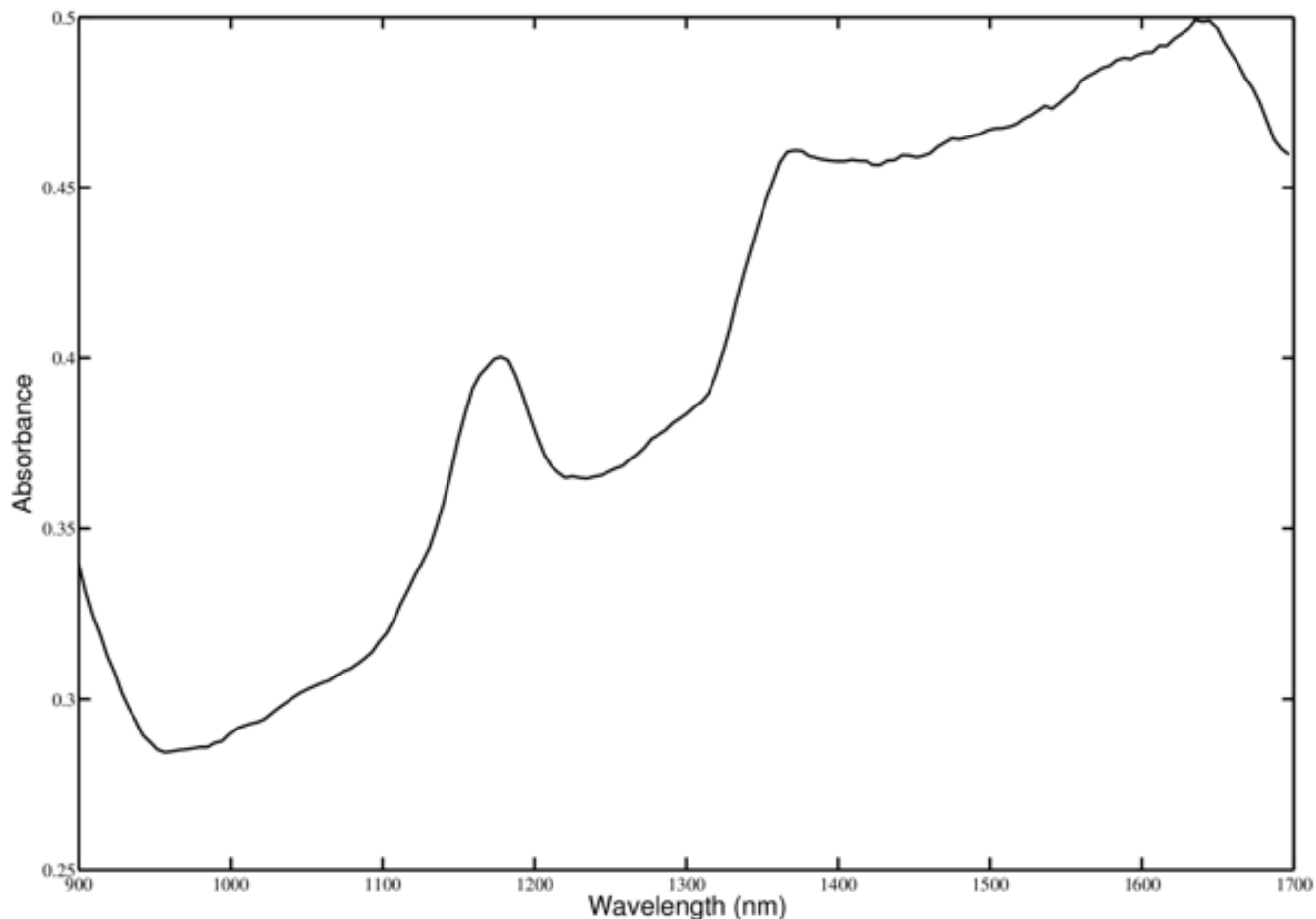


Figure 45. Sample DLPC150 Based Spectrometer Output

## 9 Power Supply Recommendations

The DLPA2000 is designed to operate from a 2.3-V to 6-V input voltage supply or battery. To avoid insufficient supply current due to line drop, ringing due to trace inductance at the  $V_{IN}$  terminal, or supply peak current limitations, additional bulk capacitance may be required. In the case ringing that is caused by the interaction with the ceramic input capacitors, an electrolytic or tantalum type capacitor may be needed for damping. The amount of bulk capacitance required should be evaluated such that the input voltage can remain in specification long enough for a proper fast shutdown to occur for the  $V_{OFS}$ ,  $V_{RST}$ , and  $V_{BIAS}$  supplies. The shutdown begins when the input voltage drops below the programmable UVLO threshold such as when the external power supply or battery supply is suddenly removed from the system.

## 10 Layout

### 10.1 Layout Guidelines

As for all chips with switching power supplies, the layout is an important step in the design, especially in the case of high peak currents and high switching frequencies. If the layout is not carefully done, the regulators could show stability problems as well as EMI problems. Therefore, use wide and short traces for the main current paths and for the power ground tracks. Input capacitors, output capacitors, and inductors should be placed as close as possible to the IC.

[Figure 46](#) shows an example layout that has critical parts placed as close as possible to the pins they are connected to. Here are recommendations for the following components:

- R1 is  $R_{LIM}$  and is connected via a wide trace and as short as possible to the DLPA2000 and the ground.
- L1 is the big inductor for the  $V_{LED}$  that is connected via two wide traces to the pins.
- C3/C4 are the decoupling capacitors for the  $V_{LED}$  and they are as close as possible placed to the part and directly connected to ground.
- L3/C20 are components used for the  $V_{CORE}$  BUCK. L3 is placed close to the pin and connected with a wide trace to the part. C20 is placed directly beside the inductor and connected to the PGND pin.
- L2 This inductor is part of the DMD reset regulators and is also placed as close as possible to the DLPA2000 using wide PCB traces.

## 10.2 Layout Example

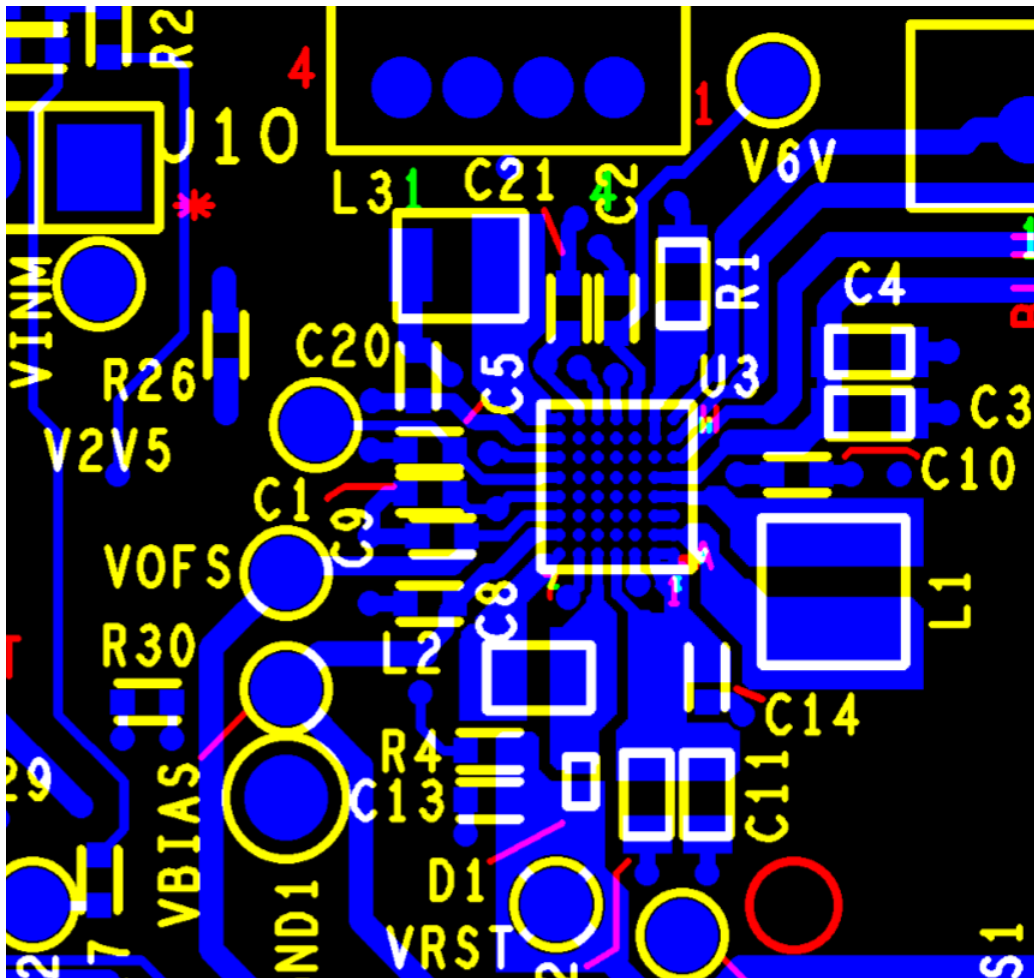


Figure 46. Example Layout of DLPA2000



## 11 デバイスおよびドキュメントのサポート

### 11.1 デバイス・サポート

#### 11.1.1 デバイスの項目表記

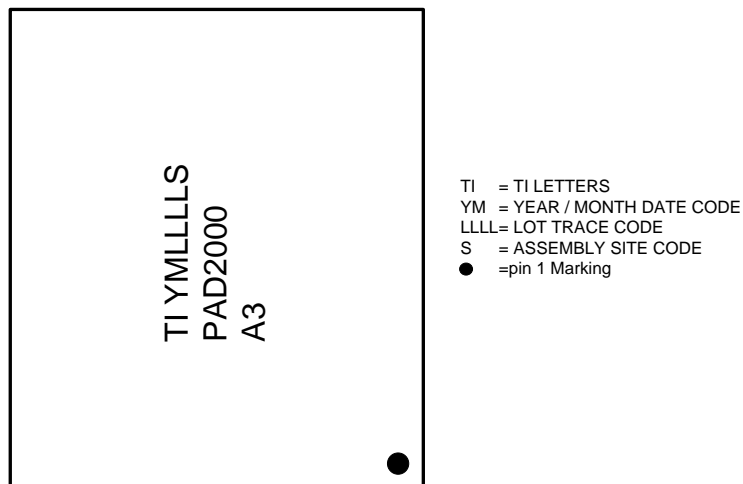


図 47. DLPA2000パッケージのマーキング(上面図)

### 11.2 関連リンク

次の表に、クイック・アクセス・リンクを示します。カテゴリには、技術資料、サポートおよびコミュニティ・リソース、ツールとソフトウェア、およびサンプル注文またはご購入へのクイック・アクセスが含まれます。

表 38. 関連リンク

製品	プロダクト・フォルダ	サンプルとご購入	技術資料	ツールとソフトウェア	サポートとコミュニティ
DLPA2000	<a href="#">ここをクリック</a>	<a href="#">ここをクリック</a>	<a href="#">ここをクリック</a>	<a href="#">ここをクリック</a>	<a href="#">ここをクリック</a>
DLPC3430	<a href="#">ここをクリック</a>	<a href="#">ここをクリック</a>	<a href="#">ここをクリック</a>	<a href="#">ここをクリック</a>	<a href="#">ここをクリック</a>
DLPC3435	<a href="#">ここをクリック</a>	<a href="#">ここをクリック</a>	<a href="#">ここをクリック</a>	<a href="#">ここをクリック</a>	<a href="#">ここをクリック</a>
DLP2010	<a href="#">ここをクリック</a>	<a href="#">ここをクリック</a>	<a href="#">ここをクリック</a>	<a href="#">ここをクリック</a>	<a href="#">ここをクリック</a>

### 11.3 コミュニティ・リソース

The following links connect to TI community resources. Linked contents are provided "AS IS" by the respective contributors. They do not constitute TI specifications and do not necessarily reflect TI's views; see TI's [Terms of Use](#).

**TI E2E™オンライン・コミュニティ** TIのE2E ( *Engineer-to-Engineer* ) コミュニティ。エンジニア間の共同作業を促進するために開設されたものです。e2e.ti.comでは、他のエンジニアに質問し、知識を共有し、アイデアを検討して、問題解決に役立てることができます。

**設計サポート** TIの設計サポート役に立つE2Eフォーラムや、設計サポート・ツールをすばやく見つけることができます。技術サポート用の連絡先情報も参照できます。

### 11.4 商標

DLP, E2E are trademarks of Texas Instruments.  
All other trademarks are the property of their respective owners.

### 11.5 静電気放電に関する注意事項



これらのデバイスは、限定的なESD(静電破壊)保護機能を内蔵しています。保存時または取り扱い時は、MOSゲートに対する静電破壊を防止するために、リード線同士をショートさせておくか、デバイスを導電フォームに入れる必要があります。

## 11.6 Glossary

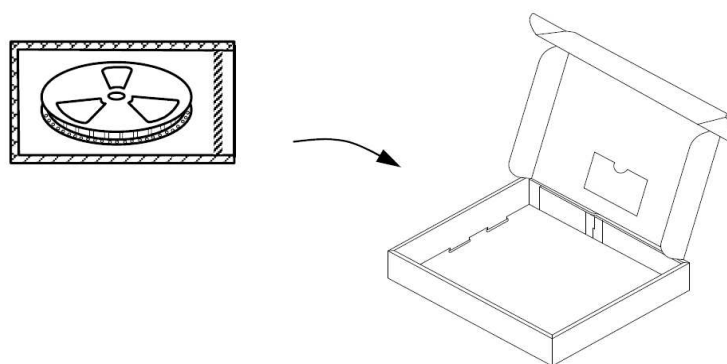
[SLYZ022](#) — *TI Glossary*.

This glossary lists and explains terms, acronyms, and definitions.

## 12 メカニカル、パッケージ、および注文情報

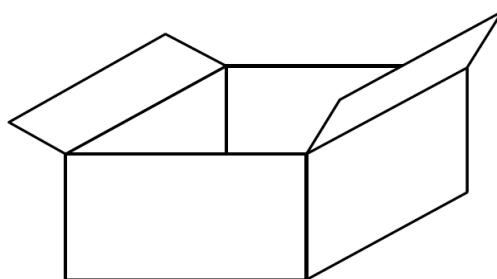
以降のページには、メカニカル、パッケージ、および注文に関する情報が記載されています。この情報は、そのデバイスについて利用可能な最新のデータです。このデータは予告なく変更されることがあり、ドキュメントが改訂される場合もあります。本データシートのブラウザ版を使用されている場合は、画面左側の説明をご覧ください。

- デバイスの挿入 - デバイスは、シンボルが上側、リード・ピンが下側などの形式で配置されています。
- カバー・テープ - カバー・テープはインデックス・ホールを塞がず、キャリア・テープから外側に移動しません。
- テープの構造 - キャリア・テープはプラスチック製で、上の図に示す構造です。デバイスはキャリア・テープの打ち出し領域に置かれ、プラスチック製のカバー・テープで覆われます。
- ESD対策プラスチック - キャリア・テープとカバー・テープはどちらも、静電気散逸性の材質です。
- 材質 - ポリカーボネート、ポリスチレン、または認定済みの同等品(静電気逸散性/帯電防止)
- パッキング方法 - リールは防湿袋に封入され、リーダー・テープの端をテープで固定した後、熱熔着により固定されます。QFNデバイスのパッキングには、乾燥材、湿度インジケータが含まれています。
- リール・ボックス - 防湿袋は個別にリール・ボックスにパッキングされます。



Reel box (carton)

- リール・ボックスの材質 - 段ボール
- 配送箱 - 箱の中に隙間がある場合、クッションなどの充填材を追加します。配送箱のサイズは、リール・ボックスのパッキング数量により変化します。



Shipping box (carton)

**PACKAGING INFORMATION**

Orderable Device	Status (1)	Package Type	Package Drawing	Pins	Package Qty	Eco Plan (2)	Lead finish/ Ball material (6)	MSL Peak Temp (3)	Op Temp (°C)	Device Marking (4/5)	Samples
DLPA2000DYFFR	ACTIVE	DSBGA	YFF	56	3000	RoHS & Green	SNAGCU	Level-1-260C-UNLIM	-10 to 85	PAD2000 A3	Samples

(1) The marketing status values are defined as follows:

**ACTIVE:** Product device recommended for new designs.

**LIFEBUY:** TI has announced that the device will be discontinued, and a lifetime-buy period is in effect.

**NRND:** Not recommended for new designs. Device is in production to support existing customers, but TI does not recommend using this part in a new design.

**PREVIEW:** Device has been announced but is not in production. Samples may or may not be available.

**OBSOLETE:** TI has discontinued the production of the device.

(2) **RoHS:** TI defines "RoHS" to mean semiconductor products that are compliant with the current EU RoHS requirements for all 10 RoHS substances, including the requirement that RoHS substance do not exceed 0.1% by weight in homogeneous materials. Where designed to be soldered at high temperatures, "RoHS" products are suitable for use in specified lead-free processes. TI may reference these types of products as "Pb-Free".

**RoHS Exempt:** TI defines "RoHS Exempt" to mean products that contain lead but are compliant with EU RoHS pursuant to a specific EU RoHS exemption.

**Green:** TI defines "Green" to mean the content of Chlorine (Cl) and Bromine (Br) based flame retardants meet JS709B low halogen requirements of <=1000ppm threshold. Antimony trioxide based flame retardants must also meet the <=1000ppm threshold requirement.

(3) MSL, Peak Temp. - The Moisture Sensitivity Level rating according to the JEDEC industry standard classifications, and peak solder temperature.

(4) There may be additional marking, which relates to the logo, the lot trace code information, or the environmental category on the device.

(5) Multiple Device Markings will be inside parentheses. Only one Device Marking contained in parentheses and separated by a "~" will appear on a device. If a line is indented then it is a continuation of the previous line and the two combined represent the entire Device Marking for that device.

(6) Lead finish/Ball material - Orderable Devices may have multiple material finish options. Finish options are separated by a vertical ruled line. Lead finish/Ball material values may wrap to two lines if the finish value exceeds the maximum column width.

**Important Information and Disclaimer:**The information provided on this page represents TI's knowledge and belief as of the date that it is provided. TI bases its knowledge and belief on information provided by third parties, and makes no representation or warranty as to the accuracy of such information. Efforts are underway to better integrate information from third parties. TI has taken and continues to take reasonable steps to provide representative and accurate information but may not have conducted destructive testing or chemical analysis on incoming materials and chemicals. TI and TI suppliers consider certain information to be proprietary, and thus CAS numbers and other limited information may not be available for release.

In no event shall TI's liability arising out of such information exceed the total purchase price of the TI part(s) at issue in this document sold by TI to Customer on an annual basis.

**TAPE AND REEL INFORMATION**

**QUADRANT ASSIGNMENTS FOR PIN 1 ORIENTATION IN TAPE**


\*All dimensions are nominal

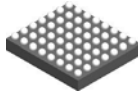
Device	Package Type	Package Drawing	Pins	SPQ	Reel Diameter (mm)	Reel Width W1 (mm)	A0 (mm)	B0 (mm)	K0 (mm)	P1 (mm)	W (mm)	Pin1 Quadrant
DLPA2000DYFFR	DSBGA	YFF	56	3000	330.0	12.4	3.4	3.75	0.82	8.0	12.0	Q1

**TAPE AND REEL BOX DIMENSIONS**


\*All dimensions are nominal

Device	Package Type	Package Drawing	Pins	SPQ	Length (mm)	Width (mm)	Height (mm)
DLPA2000DYFFR	DSBGA	YFF	56	3000	335.0	335.0	25.0

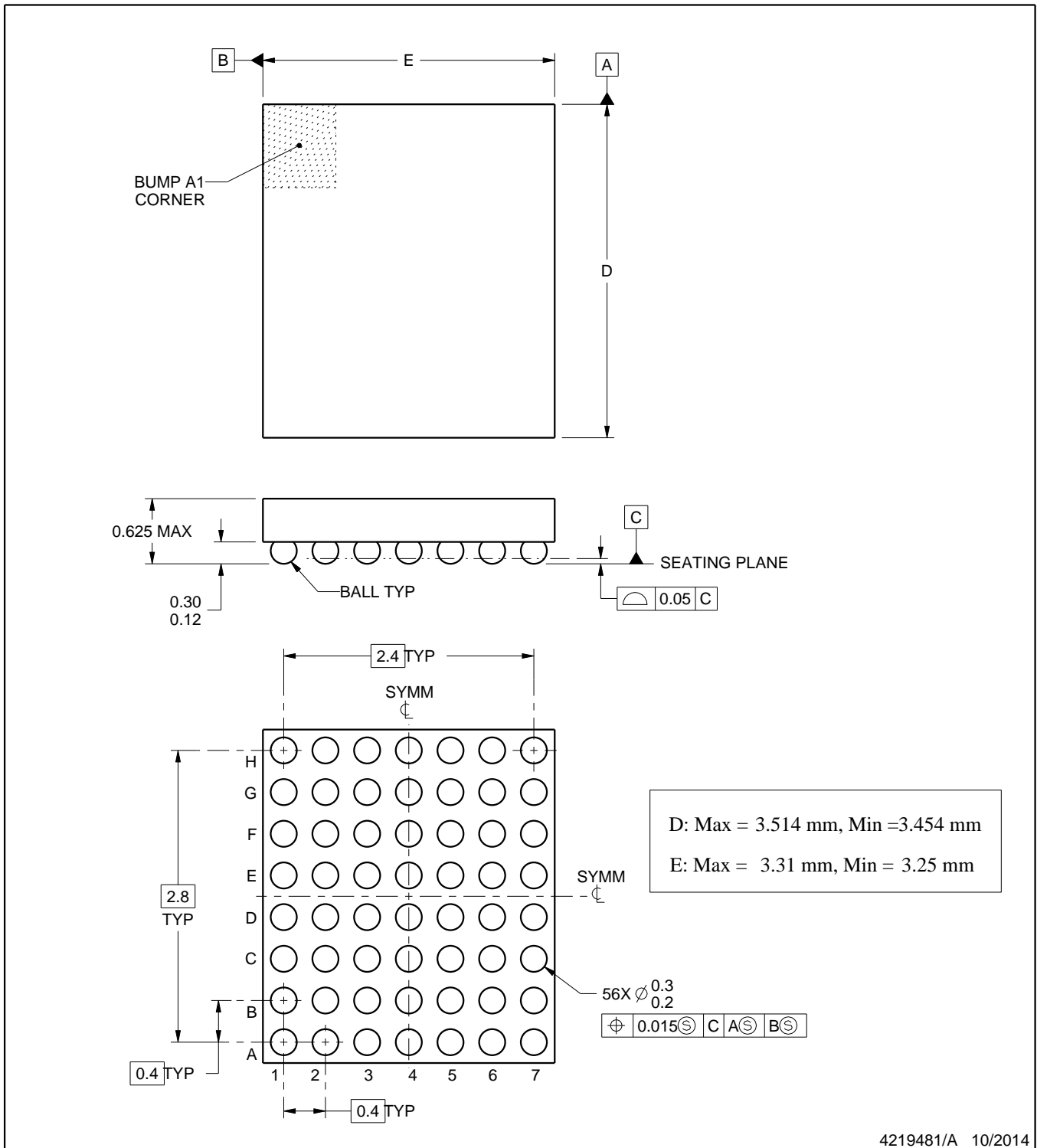
YFF0056



PACKAGE OUTLINE

DSBGA - 0.625 mm max height

DIE SIZE BALL GRID ARRAY



NOTES:

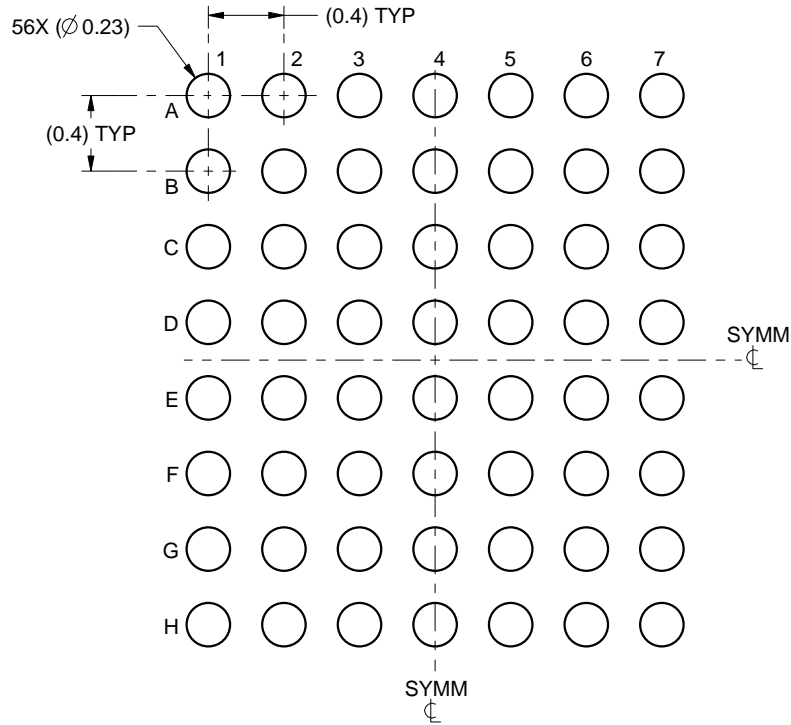
1. All linear dimensions are in millimeters. Any dimensions in parenthesis are for reference only. Dimensioning and tolerancing per ASME Y14.5M.
2. This drawing is subject to change without notice.

# EXAMPLE BOARD LAYOUT

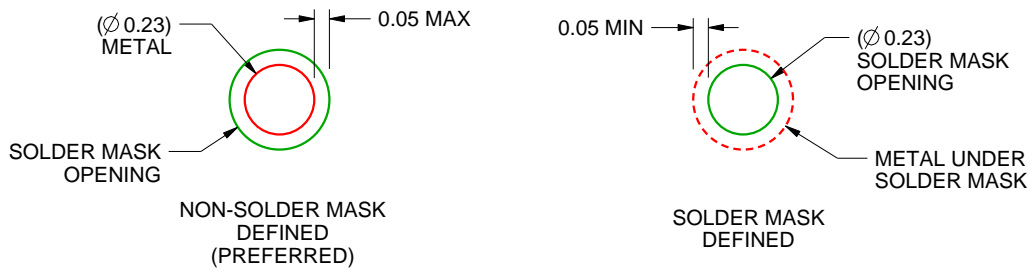
YFF0056

DSBGA - 0.625 mm max height

DIE SIZE BALL GRID ARRAY



LAND PATTERN EXAMPLE  
SCALE:25X



SOLDER MASK DETAILS  
NOT TO SCALE

4219481/A 10/2014

NOTES: (continued)

- Final dimensions may vary due to manufacturing tolerance considerations and also routing constraints. For more information, see Texas Instruments literature number SBVA017 ([www.ti.com/lit/sbva017](http://www.ti.com/lit/sbva017)).

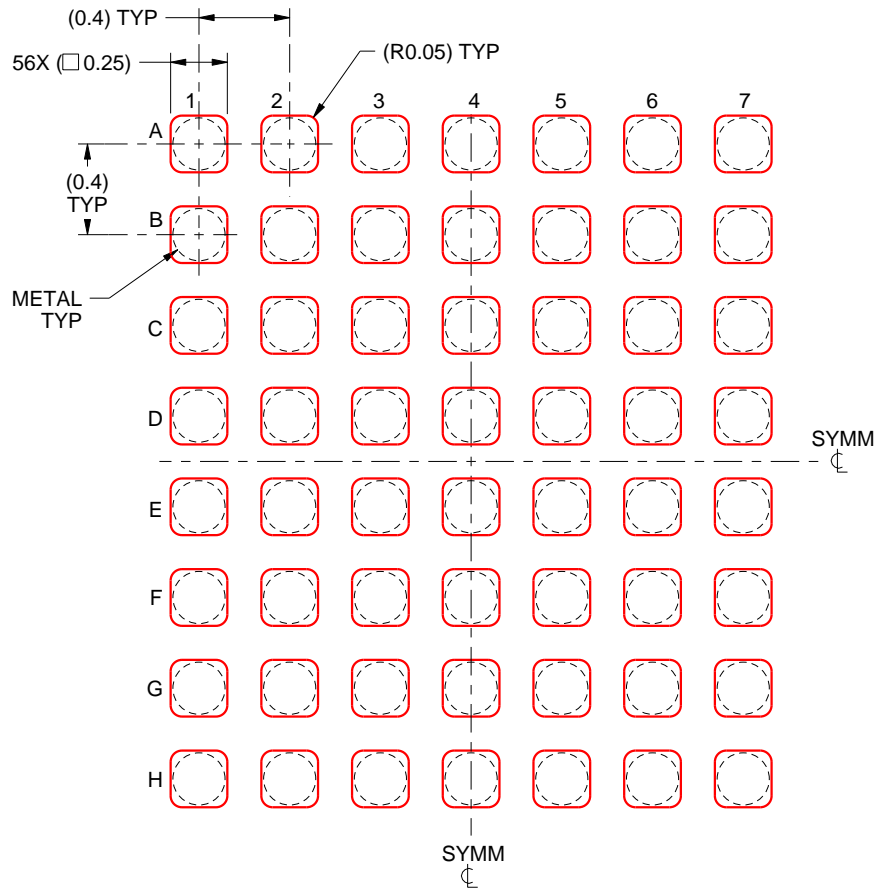


# EXAMPLE STENCIL DESIGN

YFF0056

DSBGA - 0.625 mm max height

DIE SIZE BALL GRID ARRAY



SOLDER PASTE EXAMPLE  
BASED ON 0.1 mm THICK STENCIL  
SCALE:30X

4219481/A 10/2014

NOTES: (continued)

4. Laser cutting apertures with trapezoidal walls and rounded corners may offer better paste release.

## 重要なお知らせと免責事項

TI は、技術データと信頼性データ (データシートを含みます)、設計リソース (リファレンス・デザインを含みます)、アプリケーションや設計に関する各種アドバイス、Web ツール、安全性情報、その他のリソースを、欠陥が存在する可能性のある「現状のまま」提供しており、商品性および特定目的に対する適合性の黙示保証、第三者の知的財産権の非侵害保証を含むいかなる保証も、明示的または黙示的にかかわらず拒否します。

これらのリソースは、TI 製品を使用する設計の経験を積んだ開発者への提供を意図したものです。(1) お客様のアプリケーションに適した TI 製品の選定、(2) お客様のアプリケーションの設計、検証、試験、(3) お客様のアプリケーションに該当する各種規格や、その他のあらゆる安全性、セキュリティ、規制、または他の要件への確実な適合に関する責任を、お客様のみが単独で負うものとし、

上記の各種リソースは、予告なく変更される可能性があります。これらのリソースは、リソースで説明されている TI 製品を使用するアプリケーションの開発の目的でのみ、TI はその使用をお客様に許諾します。これらのリソースに関して、他の目的で複製することや掲載することは禁止されています。TI や第三者の知的財産権のライセンスが付与されている訳ではありません。お客様は、これらのリソースを自身で使用した結果発生するあらゆる申し立て、損害、費用、損失、責任について、TI およびその代理人を完全に補償するものとし、TI は一切の責任を拒否します。

TI の製品は、[TI の販売条件](#)、または [ti.com](#) やかかる TI 製品の関連資料などのいずれかを通じて提供する適用可能な条項の下で提供されています。TI がこれらのリソースを提供することは、適用される TI の保証または他の保証の放棄の拡大や変更を意味するものではありません。

お客様がいかなる追加条項または代替条項を提案した場合でも、TI はそれらに異議を唱え、拒否します。

郵送先住所 : Texas Instruments, Post Office Box 655303, Dallas, Texas 75265  
Copyright © 2024, Texas Instruments Incorporated