

LMH1228 リクロック内蔵の12G UHD-SDIデュアル出カケーブル・ドライバ

1 特長

- ST-2082-1 (12G)、ST-2081-1 (6G)、ST-424 (3G)、ST-292 (HD)、ST-259 (SD)をサポート
- DVB-ASI および AES10 (MADI) と互換
- 内蔵リクロックにより、SMPTE レートを 11.88Gbps、5.94Gbps、2.97Gbps、1.485Gbps、または Divide-by-1.001 サブレートおよび 270Mbps にロック
- アイ開口部モニタ(EOM)内蔵
- デュアル差動出力ケーブル・ドライバ
- オンチップの 75Ω ターミネーションおよび復帰損失補償ネットワーク
- 適応型 PCB 入カイコライザ
- リクロックされた 100Ω ループバック出力
- 75Ω 出力での自動スルー・レート制御
- 75Ω 出力での自動プリエンファシスおよび出力振幅
- 100Ω 出力でのディエンファシスおよび出力振幅をプログラム可能
- 75Ω および 100Ω 出力での極性反転
- 入力信号が存在しない場合の自動パワー・セーブ
 - 消費電力: 25mW (標準値)
- ENABLEピンによるパワー・ダウン制御
- 単一の2.5V電源
 - 消費電力: 305mW (標準値)
- ピン、SPI、SMBus インターフェイスによりプログラム可能
- -40°C~+85°Cの動作温度範囲
- 5mm x 5mm、32 ピンの WQFN パッケージ

2 アプリケーション

- SMPTE 互換のシリアル・デジタル・インターフェイス
- UHDTV/4K/8K/HDTV/SDTV ビデオ
- 放送用ビデオ・ルーター、スイッチャ、分配アンブ、モニタ
- デジタル・ビデオ処理および編集

3 概要

LMH1228デバイスは、低消費電力の12G UHD-SDIデュアル出力ケーブル・ドライバで、リクロックが内蔵されています。最大11.88GbpsのSMPTEビデオをサポートし、4K/8Kアプリケーション用のUHDビデオに対応します。広範囲のクロック・アンド・データ回復(CDR)回路により、オンチップのリクロックは11.88GbpsまでのすべてのSMPTEビデオ・レートを自動的に検出し、ロックします。ホスト側には追加のリクロックされた100Ωドライバ出力があり、監視や信号の分配目的に使用できます。

オンチップのリクロックは高周波数のジッタを減衰させ、クリーンで低ジッタのクロックを使用して、データを完全に再生成します。リクロックにはループ・フィルタが組み込まれており、入力基準クロックを必要としません。また、LMH1228には内部的なアイ開口部モニタ、およびCDRロック表示、入力信号検出、ハードウェア割り込み用のプログラム可能なピンがあり、システムの診断やボードの起動をサポートします。

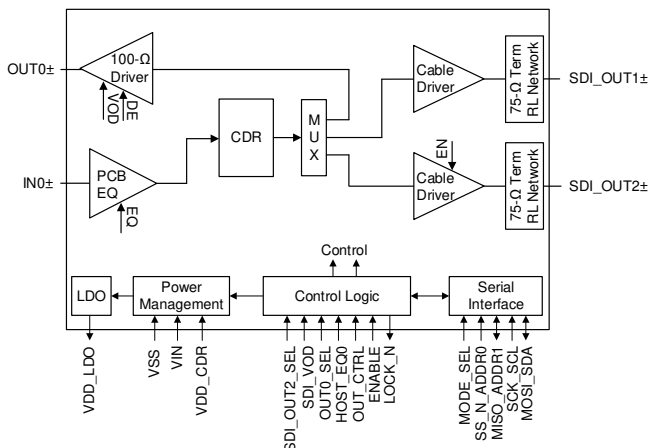
LMH1228は単一の2.5V電源で動作します。このデバイスは、占有面積の小さい5mmx5mm、32ピンのWQFNパッケージで供給されます。LMH1228は、LMH1208 (12Gデュアル・ケーブル・ドライバ)とピン互換です。

製品情報⁽¹⁾

型番	パッケージ	本体サイズ(公称)
LMH1228	WQFN(32)	5.00mmx5.00mm

(1) 利用可能なすべてのパッケージについては、このデータシートの末尾にある注文情報を参照してください。

ブロック概略図



Copyright © 2016, Texas Instruments Incorporated



目次

1	特長	1	7.4	Device Functional Modes	21
2	アプリケーション	1	7.5	Register Maps	25
3	概要	1	8	Application and Implementation	26
4	改訂履歴	2	8.1	Application Information	26
5	Pin Configuration and Functions	3	8.2	Typical Applications	27
6	Specifications	5	9	Power Supply Recommendations	34
6.1	Absolute Maximum Ratings	5	10	Layout	34
6.2	ESD Ratings	5	10.1	Layout Guidelines	34
6.3	Recommended Operating Conditions	5	10.2	Layout Example	36
6.4	Thermal Information	6	11	デバイスおよびドキュメントのサポート	37
6.5	Electrical Characteristics	6	11.1	ドキュメントのサポート	37
6.6	Recommended SMBus Interface Timing Specifications	11	11.2	ドキュメントの更新通知を受け取る方法	37
6.7	Serial Parallel Interface (SPI) Timing Specifications	12	11.3	サポート・リソース	37
6.8	Typical Characteristics	14	11.4	商標	37
7	Detailed Description	15	11.5	静電気放電に関する注意事項	37
7.1	Overview	15	11.6	輸出管理に関する注意事項	37
7.2	Functional Block Diagram	15	11.7	Glossary	37
7.3	Feature Description	16	12	メカニカル、パッケージ、および注文情報	37
			12.1	Package Option Addendum	38

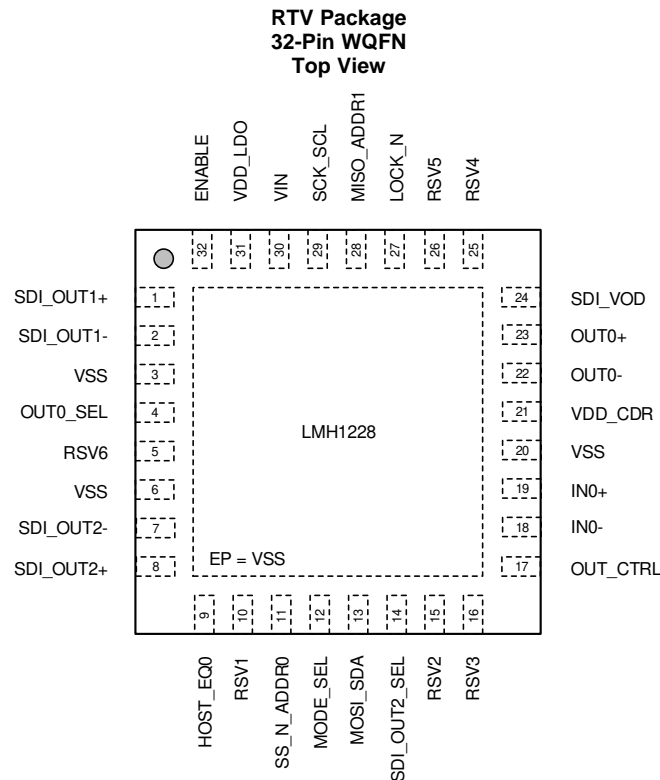
4 改訂履歴

Revision B (September 2017) から Revision C に変更

Page

•	最初の公開リリース	1
---	-----------------	---

5 Pin Configuration and Functions



Copyright © 2016, Texas Instruments Incorporated

Pin Functions

PIN		I/O ⁽¹⁾	DESCRIPTION
NAME	NO.		
HIGH-SPEED DIFFERENTIAL I/Os			
SDI_OUT1+	1	I/O, Analog	Single-ended complementary outputs with on-chip 75-Ω termination at SDI_OUT1+ and SDI_OUT1-. SDI_OUT1± include integrated return loss networks designed to meet the SMPTE output return loss requirements. Connect SDI_OUT1+ to a BNC through a 4.7-μF, AC-coupling capacitor. SDI_OUT1- should be similarly AC-coupled and terminated with an external 4.7-μF capacitor and 75-Ω resistor to GND.
SDI_OUT1-	2	I/O, Analog	
SDI_OUT2+	8	O, Analog	Single-ended complementary outputs with on-chip 75-Ω termination at SDI_OUT2+ and SDI_OUT2-. SDI_OUT2± include integrated return loss networks designed to meet the SMPTE output return loss requirements. SDI_OUT2± is used as a second cable driver. Connect SDI_OUT2+ to a BNC through a 4.7-μF, AC-coupling capacitor. SDI_OUT2- should be similarly AC-coupled and terminated with an external 4.7-μF capacitor and 75-Ω resistor to GND.
SDI_OUT2-	7	O, Analog	
INO+	19	I, Analog	Differential inputs from host video processor. On-chip 100-Ω differential termination. Requires external 4.7-μF, AC-coupling capacitors for SMPTE applications.
INO-	18	I, Analog	
OUT0+	23	O, Analog	Differential outputs to host video processor. On-chip 100-Ω differential termination. Requires external 4.7-μF, AC-coupling capacitors for SMPTE applications.
OUT0-	22	O, Analog	
CONTROL PINS			
OUT0_SEL	4	I, LVCMOS	OUT0_SEL enables the use of the 100-Ω host-side output driver at OUT0±. See Table 2 for details. OUT0_SEL is internally pulled high by default (OUT0 disabled).
HOST_EQ0	9	I, 4-LEVEL	HOST_EQ0 selects the equalizer setting for IN0±. See Table 4 for details.
MODE_SEL	12	I, 4-LEVEL	MODE_SEL enables the SPI or SMBus serial control interface. See Table 9 for details.
SDI_OUT2_SEL	14	I, LVCMOS	SDI_OUT2_SEL enables the use of the 75-Ω output driver at SDI_OUT2±. See Table 2 for details. SDI_OUT2_SEL is internally pulled high by default (SDI_OUT2 disabled).

(1) I = Input, O = Output, I/O = Input or Output, OD = Open Drain, LVCMOS = 2-State Logic, 4-LEVEL = 4-State Logic

Pin Functions (continued)

PIN		I/O ⁽¹⁾	DESCRIPTION
NAME	NO.		
OUT_CTRL	17	I, 4-LEVEL	OUT_CTRL selects the signal being routed to the output. It is used to enable or bypass the reclocker. See Table 6 for details.
SDI_VOD	24	I, 4-LEVEL	SDI_VOD selects one of four output amplitudes for the cable drivers at SDI_OUT1± and SDI_OUT2±. See Table 7 for details.
LOCK_N	27	O, LVCMOS, OD	LOCK_N is the reclocker lock indicator. LOCK_N is pulled low when the reclocker has acquired lock condition. LOCK_N is a 3.3-V tolerant, open-drain output. It requires an external resistor to a logic supply. LOCK_N can be reconfigured to indicate Signal Detector (SD_N) or Interrupt (INT_N) through register programming. See Status Indicators and Interrupts .
ENABLE	32	I, LVCMOS	A logic-high at ENABLE enables normal operation for the LMH1228. A logic-low at ENABLE places the LMH1228 in Power-Down Mode. ENABLE is internally pulled high by default.
SPI SERIAL CONTROL INTERFACE, MODE_SEL = F (FLOAT)			
SS_N	11	I, LVCMOS	SS_N is the Slave Select. When SS_N is at logic Low, it enables SPI access to the LMH1228 slave device. SS_N is a 2.5-V LVCMOS input and is internally pulled high by default.
MOSI	13	I, LVCMOS	MOSI is the SPI serial control data input to the LMH1228 slave device when the SPI bus is enabled. MOSI is a 2.5-V LVCMOS input. An external pullup resistor is recommended.
MISO	28	O, LVCMOS	MISO is the SPI serial control data output from the LMH1228 slave device. MISO is a 2.5-V LVCMOS output.
SCK	29	I, LVCMOS	SCK is the SPI serial input clock to the LMH1228 slave device when the SPI interface is enabled. SCK is a 2.5-V LVCMOS input. An external pullup resistor is recommended.
SMBUS SERIAL CONTROL INTERFACE, MODE_SEL = L (1 KΩ TO VSS)			
ADDR0	11	Strap, 4-LEVEL	ADDR[1:0] are 4-level straps, read into the device at power up. They are used to select one of the 16 supported SMBus addresses when SMBus is enabled. See Table 10 for details.
SDA	13	I/O, LVCMOS, OD	SDA is the SMBus bidirectional data line to or from the LMH1228 slave device when SMBus is enabled. SDA is an open-drain I/O and requires an external pullup resistor to the SMBus termination voltage. SDA is 3.3-V tolerant.
ADDR1	28	Strap, 4-LEVEL	ADDR[1:0] are 4-level straps, read into the device at power up. They are used to select one of the 16 supported SMBus addresses when SMBus is enabled. See Table 10 for details.
SCL	29	I/O, LVCMOS, OD	SCL is the SMBus input clock to the LMH1228 slave device when SMBus is enabled. It is driven by a LVCMOS open-drain driver from the SMBus master. SCL requires an external pullup resistor to the SMBus termination voltage. SCL is 3.3-V tolerant.
RESERVED			
RSV1 RSV2 RSV3 RSV4 RSV5	10 15 16 25 26	—	Reserved pins. Do not connect.
RSV6	5	I, LVCMOS	Reserved pin. This input must be tied high with 1-kΩ resistor to VIN. Alternatively, this pin setting can be overridden by register control. Refer to the <i>LMH1228 and LMH1208 Programming Guide (SNAU206)</i> for more details.
POWER			
VSS	3, 6, 20	I, Ground	Ground reference.
VDD_CDR	21	I, Power	VDD_CDR powers the reclocker circuitry. It is connected to the same 2.5-V ± 5% supply as VIN.
VIN	30	I, Power	VIN is connected to an external 2.5-V ± 5% power supply.
VDD_LDO	31	O, Power	VDD_LDO is the output of the internal 1.8-V LDO regulator. VDD_LDO output requires an external 1-μF and 0.1-μF bypass capacitor to VSS. The internal LDO is designed to power internal circuitry only.
EP	—	I, Ground	EP is the exposed pad at the bottom of the RTV package. The exposed pad should be connected to the VSS plane through a 3 × 3 via array.

6 Specifications

6.1 Absolute Maximum Ratings

over operating free-air temperature range (unless otherwise noted)⁽¹⁾

	MIN	MAX	UNIT
Supply voltage (VIN, VDD_CDR)	−0.5	2.75	V
Input voltage for 4-level pins	−0.5	2.75	V
Input/output voltage for 2-level control pins	−0.5	2.75	V
SMBus input/output voltage (SDA, SCL)	−0.5	4	V
SPI input/output voltage (SS_N, MISO, MOSI, and SCK)	−0.5	2.75	V
High-speed input/output voltage (IN0±, SDI_OUT1±, OUT0±, SDI_OUT2±)	−0.5	2.75	V
Input current (IN0±)	−30	30	mA
Operating junction temperature		125	°C
Storage temperature, T _{stg}	−65	150	°C

- (1) Stresses beyond those listed under *Absolute Maximum Ratings* may cause permanent damage to the device. These are stress ratings only, which do not imply functional operation of the device at these or any other conditions beyond those indicated under *Recommended Operating Conditions*. Exposure to absolute-maximum-rated conditions for extended periods may affect device reliability.

6.2 ESD Ratings

			VALUE	UNIT	
V _(ESD)	Electrostatic discharge	Human-body model (HBM), per ANSI/ESDA/JEDEC JS-001 ⁽¹⁾	All pins except 13 and 29	±6000	V
			Pins 13 and 29	±5500	
		Charged-device model (CDM), per JEDEC specification JESD22-C101 ⁽²⁾		±1500	

- (1) JEDEC document JEP155 states that 500-V HBM allows safe manufacturing with a standard ESD control process. Manufacturing with less than 500-V HBM is possible with the necessary precautions.
(2) JEDEC document JEP157 states that 250-V CDM allows safe manufacturing with a standard ESD control process. Manufacturing with less than 250-V CDM is possible with the necessary precautions.

6.3 Recommended Operating Conditions

over operating free-air temperature range (unless otherwise noted)

		MIN	NOM	MAX	UNIT
Supply voltage	VIN, VDD_CDR to VSS	2.375	2.5	2.625	V
VDD _{SMBUS}	SMBus: SDA, SCL open-drain termination voltage	2.375		3.6	V
V _{IN0_LAUNCH}	Source differential launch amplitude	Before 5-inch board trace to IN0±	300	850	mVp-p
		Before 20-inch board trace to IN0±	650	1000	
T _{JUNCTION}	Operating junction temperature			110	°C
T _{AMBIENT}	Ambient temperature	−40	25	85	°C
NTp _{Smax}	Maximum supply noise ⁽¹⁾	50 Hz to 1 MHz, sinusoidal		< 20	mVp-p
		1.1 MHz to 50 MHz, sinusoidal		< 10	

- (1) The sum of the DC supply voltage and AC supply noise should not exceed the recommended supply voltage range.

6.4 Thermal Information

THERMAL METRIC ⁽¹⁾		LMH1228	UNIT
		RTV (WQFN)	
		32 PINS	
R _{θJA}	Junction-to-ambient thermal resistance	32.5	°C/W
R _{θJC(top)}	Junction-to-case (top) thermal resistance	15.0	°C/W
R _{θJB}	Junction-to-board thermal resistance	6.5	°C/W
ψ _{JT}	Junction-to-top characterization parameter	0.2	°C/W
ψ _{JB}	Junction-to-board characterization parameter	6.5	°C/W
R _{θJC(bot)}	Junction-to-case (bottom) thermal resistance	1.7	°C/W

(1) For more information about traditional and new thermal metrics, see the [Semiconductor and IC Package Thermal Metrics](#) application report.

6.5 Electrical Characteristics

over operating free-air temperature range (unless otherwise noted)

PARAMETER		TEST CONDITIONS	MIN	TYP	MAX	UNIT
POWER						
PD	Power dissipation, Measured with PRBS10, CDR Locked to 11.88 Gbps, VOD = default, HEO/VEO lock monitor disabled	SDI_OUT1± enabled SDI_OUT2± disabled OUT0± disabled		305		mW
		SDI_OUT1± enabled SDI_OUT2± disabled OUT0± enabled		350		mW
		SDI_OUT1± enabled SDI_OUT2± enabled OUT0± disabled		442		mW
		SDI_OUT1± enabled SDI_OUT2± enabled OUT0± enabled		485		mW
PD _Z	Power dissipation, Power Save Mode	Power Save Mode, ENABLE = H, no signal applied at IN0±		25		mW
IDD	Current consumption, Measured with PRBS10, CDR Locked to 11.88 Gbps, VOD = default, HEO/VEO lock monitor disabled	SDI_OUT1± enabled SDI_OUT2± disabled OUT0± disabled		122	146	mA
		SDI_OUT1± enabled SDI_OUT2± disabled OUT0± enabled		140	166	mA
		SDI_OUT1± enabled SDI_OUT2± enabled OUT0± disabled		177	211	mA
		SDI_OUT1± enabled SDI_OUT2± enabled OUT0± enabled		194	230	mA
IDD _Z	Current consumption, Power Save Mode	Power Save Mode, ENABLE = H, no signal applied at IN0±		10		mA
IDD _{Z_PD}	Current consumption, Power-Down Mode	Power-Down Mode, ENABLE = L, no signal applied at IN0±		10	30	mA

Electrical Characteristics (continued)

over operating free-air temperature range (unless otherwise noted)

PARAMETER		TEST CONDITIONS	MIN	TYP	MAX	UNIT
IDD _{TRANS}	Current consumption, CDR acquiring lock to 11.88 Gbps, VOD = default, HEO/VEO lock monitor enabled	SDI_OUT1± enabled SDI_OUT2± disabled OUT0± disabled			200	mA
		SDI_OUT1± enabled SDI_OUT2± disabled OUT0± enabled			225	mA
		SDI_OUT1± enabled SDI_OUT2± enabled OUT0± disabled			271	mA
		SDI_OUT1± enabled SDI_OUT2± enabled OUT0± enabled			290	mA
LVC MOS DC SPECIFICATIONS						
V _{IH}	Logic high input voltage	2-level input (SS_N, SCK, MOSI, SDI_OUT2_SEL, OUT0_SEL, ENABLE)	0.72 × VIN		VIN + 0.3	V
		2-level input (SCL, SDA)	0.7 × VIN		3.6	V
V _{IL}	Logic low input voltage	2-level input (SS_N, SCK, MOSI, SDI_OUT2_SEL, OUT0_SEL, ENABLE, SCL, SDA)	0		0.3 × VIN	V
V _{OH}	Logic high output voltage	IOH = –2 mA, (MISO)	0.8 × VIN		VIN	V
V _{OL}	Logic low output voltage	IOL = 2 mA, (MISO)	0		0.2 × VIN	V
		IOL = 3 mA, (LOCK_N, SDA)			0.4	V
I _{IH}	Input high leakage current (Vinput = VIN)	LVC MOS (SDI_OUT2_SEL, ENABLE)			15	µA
		LVC MOS (OUT0_SEL)			65	µA
		LVC MOS (LOCK_N)			10	µA
		SPI mode: LVC MOS (SS_N, SCK, MOSI)			15	µA
		SMBus mode: LVC MOS (SCL, SDA)			10	µA
I _{IL}	Input low leakage current (Vinput = GND)	LVC MOS (SDI_OUT2_SEL, ENABLE)	–50			µA
		LVC MOS (OUT0_SEL)	–15			µA
		LVC MOS (LOCK_N)	–10			µA
		SPI mode: LVC MOS (SCK, MOSI)	–15			µA
		SPI mode: LVC MOS (SS_N)	–50			µA
		SMBus mode: LVC MOS (SCL, SDA)	–10			µA

Electrical Characteristics (continued)

over operating free-air temperature range (unless otherwise noted)

PARAMETER		TEST CONDITIONS	MIN	TYP	MAX	UNIT
4-LEVEL LOGIC DC SPECIFICATIONS (APPLY TO ALL 4-LEVEL INPUT CONTROL PINS)						
V _{LVL_H}	LEVEL-H input voltage	Measured voltage at 4-level pin with external 1 kΩ to VIN		VIN		V
V _{LVL_F}	LEVEL-F default voltage	Measured voltage 4-level pin at default		2/3 × VIN		V
V _{LVL_R}	LEVEL-R input voltage	Measured voltage at 4-level pin with external 20 kΩ to VSS		1/3 × VIN		V
V _{LVL_L}	LEVEL-L input voltage	Measured voltage at 4-level pin with external 1 kΩ to VSS		0		V
I _{IH}	Input high leakage current (V _{input} = VIN)	4-levels (HOST_EQ0, MODE_SEL, OUT_CTRL, SDI_VOD)	20	45	80	μA
		SMBus mode: 4-levels (ADDR0, ADDR1)	20	45	80	μA
I _{IL}	Input low leakage current (V _{input} = GND)	4-levels (HOST_EQ0, MODE_SEL, OUT_CTRL, SDI_VOD)	–160	–93	–40	μA
		SMBus mode: 4-levels (ADDR0, ADDR1)	–160	–93	–40	μA
RECEIVER SPECIFICATIONS (IN0±)						
R _{IN0_TERM}	DC input differential termination	Measured across IN0+ to IN0–	80	100	120	Ω
RL _{IN0_SDD11}	Input differential return loss ⁽¹⁾	SDD11, 10 MHz – 2.8 GHz		–22		dB
		SDD11, 2.8 GHz – 6 GHz		–16		dB
		SDD11, 6 GHz – 11.1 GHz		–10		dB
RL _{IN0_SCD11}	Differential to common-mode input conversion ⁽¹⁾	SCD11, 10 MHz to 11.1 GHz		–21		dB
V _{IN0_CM}	DC common-mode voltage	Input common-mode voltage at IN0+ or IN0– to GND		2.06		V
CD _{ON_IN0}	Signal detect (default) Assert ON threshold level for IN0±	11.88 Gbps, EQ and PLL pathological pattern		20		mVp-p
CD _{OFF_IN0}	Signal detect (default) Deassert OFF threshold level for IN0±	11.88 Gbps, EQ and PLL pathological pattern		18		mVp-p
DRIVER OUTPUT (SDI_OUT1+ AND SDI_OUT2+)						
R _{OUT_TERM}	DC output single-ended termination	SDI_OUT1+ and SDI_OUT1–, SDI_OUT2+ and SDI_OUT2– to VIN	63	75	87	Ω
VOD _{CD_OUTP}	Output single-ended output voltage	Measure AC signal at SDI_OUT1+ and SDI_OUT2+, with SDI_OUT1– and SDI_OUT2– AC terminated with 75 Ω SDI_VOD = H		840		mVp-p
		SDI_VOD = F	720	800	880	mVp-p
		SDI_VOD = R		880		mVp-p
		SDI_VOD = L		760		mVp-p
VOD _{CD_OUTN}	Output single-ended output voltage	Measure AC signal at SDI_OUT1– and SDI_OUT2–, with SDI_OUT1+ and SDI_OUT2+ AC terminated with 75 Ω SDI_VOD = H		840		mVp-p
		SDI_VOD = F	720	800	880	mVp-p
		SDI_VOD = R		880		mVp-p
		SDI_VOD = L		760		mVp-p
PRE _{CD_OUTP}	Output pre-emphasis	Output pre-emphasis boost amplitude at SDI_OUT1+ and SDI_OUT2+, programmed to maximum setting through register, measured at SDI_VOD = F		2		dB

(1) This parameter is measured with the LMH1297EVM (Evaluation board for LMH1228).

Electrical Characteristics (continued)

over operating free-air temperature range (unless otherwise noted)

PARAMETER		TEST CONDITIONS	MIN	TYP	MAX	UNIT
PRE _{CD_OUTN}	Output pre-emphasis	Output pre-emphasis boost amplitude at SDI_OUT1– and SDI_OUT2–, programmed to maximum setting through register, measured at SDI_VOD = F		2		dB
t _{R_F_SDI}	Output rise and fall time ⁽¹⁾	Measured with PRBS10 pattern, default VOD at 20% – 80% amplitude, default pre-emphasis enabled 11.88 Gbps		34	42	ps
		5.94 Gbps		36	43	ps
		2.97 Gbps		59	67	ps
		1.485 Gbps		60	73	ps
		270 Mbps	400	550	700	ps
t _{R_F_DELTA}	Output rise and fall time mismatch ⁽¹⁾	Measured with PRBS10 pattern, default VOD at 20% – 80% amplitude, default pre-emphasis enabled 11.88 Gbps		3	18	ps
		5.94 Gbps		2.7	12	ps
		2.97 Gbps		0.8	11	ps
		1.485 Gbps		0.8	12	ps
		270 Mbps		72	150	ps
V _{OVERSHOOT}	Output overshoot or undershoot ⁽¹⁾	Measured with PRBS10 pattern, default VOD, default pre-emphasis enabled ⁽²⁾ 12G/6G/3G/HD/SD		5%		
V _{DC_OFFSET}	DC offset	12G/6G/3G/HD/SD		±0.2		V
V _{DC_WANDER}	DC wander	12G/6G/3G/HD/SD with EQ pathological pattern		20		mV
RL _{CD_S22}	Output return loss at SDI_OUT1+ and SDI_OUT2+ reference to 75 Ω ⁽¹⁾	S22, 5 MHz to 1.485 GHz		–25		dB
		S22, 1.485 GHz to 3 GHz		–22		dB
		S22, 3 GHz to 6 GHz		–12		dB
		S22, 6 GHz to 12 GHz		–8		dB

(2) V_{OVERSHOOT} overshoot/undershoot maximum measurements are largely affected by the PCB layout and input test pattern. The maximum value specified in [Electrical Characteristics](#) for V_{OVERSHOOT} is based on bench evaluation across temperature and supply voltages with the LMH1297EVM.

Electrical Characteristics (continued)

over operating free-air temperature range (unless otherwise noted)

PARAMETER		TEST CONDITIONS	MIN	TYP	MAX	UNIT
DRIVER OUTPUT (OUT0±)						
R _{OUT0_TERM}	DC output differential termination	Measured across OUT0+ and OUT0–	80	100	120	Ω
V _{OD_OUT0}	Output differential voltage at OUT0±	Measured with 8T pattern HOST_EQ0 = H		410		mVp-p
		HOST_EQ0 = F	485	560	620	mVp-p
		HOST_EQ0 = R		635		mVp-p
		HOST_EQ0 = L		810		mVp-p
V _{OD_OUT0_DE}	De-emphasized output differential voltage at OUT0±	Measured with 8T pattern HOST_EQ0 = H		410		mVp-p
		HOST_EQ0 = F		550		mVp-p
		HOST_EQ0 = R		545		mVp-p
		HOST_EQ0 = L		532		mVp-p
t _r /t _f	Output rise and fall time	Measured with 8T Pattern, 20% – 80% amplitude		45		ps
R _{L_OUT0-SDD22}	Output differential return loss ⁽¹⁾	Measured with the device powered up and outputs a 10-MHz clock signal SDD22, 10 MHz – 2.8 GHz		–24		dB
		SDD22, 2.8 GHz – 6 GHz		–16		dB
		SDD22, 6 GHz – 11.1 GHz		–15		dB
R _{L_OUT0-SCC22}	Output common-mode return loss ⁽¹⁾	Measured with the device powered up and outputs a 10-MHz clock signal. SCC22, 10 MHz – 4.75 GHz		–12		dB
		SCC22, 4.75 GHz – 11.1 GHz		–9		dB
V _{OUT0_CM}	AC common-mode voltage on OUT0± ⁽¹⁾	Default setting, PRBS31, 11.88 Gbps		8		mV (rms)
RELOCKER OUTPUT JITTER						
A _{J_CD}	Alignment jitter ⁽¹⁾	Measured at SDI_OUT1+ and SDI_OUT2+, OUT0± disabled PRBS10, 3G/HD/SD12G/6G/3G/HD/SD		0.1	0.14	UI
T _{M_CD}	Timing jitter ⁽¹⁾	Measured at SDI_OUT1+ and SDI_OUT2+, OUT0± disabled PRBS10, 12G/6G/3G/HD/SD		0.45		UI
RELOCKER SPECIFICATIONS						
LOCK _{RATE}	Reclocker lock data rates	SMPTE 12G, /1		11.88		Gbps
		SMPTE 12G, /1.001		11.868		Gbps
		SMPTE 6G, /1		5.94		Gbps
		SMPTE 6G, /1.001		5.934		Gbps
		SMPTE 3G, /1		2.97		Gbps
		SMPTE 3G, /1.001		2.967		Gbps
		SMPTE HD, /1		1.485		Gbps
		SMPTE HD, /1.001		1.4835		Gbps
BYPASS _{RATE}	Reclocker automatically goes to bypass	MADI		125		Mbps

Electrical Characteristics (continued)

over operating free-air temperature range (unless otherwise noted)

PARAMETER		TEST CONDITIONS	MIN	TYP	MAX	UNIT
BW _{PLL}	PLL bandwidth	Applied 0.2 UI input sinusoidal jitter, measure –3-dB bandwidth on input-to-output jitter transfer 11.88 Gbps		13		MHz
		5.94 Gbps		7		MHz
		2.97 Gbps		5		MHz
		1.485 Gbps		3		MHz
		270 Mbps		1		MHz
J _{PEAKING}	PLL jitter peaking	11.88 Gbps, 5.94 Gbps, 2.97 Gbps, 1.485 Gbps, 270 Mbps		<0.3		dB
T _{LOCK}	Lock time	SMPTE supported data rates, disable HEO/VEO monitor, CTLE in AM0 Manual Mode		5		ms
TEMP _{LOCK}	VCO temperature lock range	Measured with temperature ramp of 5°C per min, ramp up and down, –40°C to 85°C operating range at 11.88 Gbps		125		°C
TLAT	Reclocker latency	Measured from IN0± to SDI_OUT1+, 11.88 Gbps		1.5 UI + 175		ps
		Measured from IN0± to SDI_OUT2+, 11.88 Gbps		1.6 UI + 130		ps

6.6 Recommended SMBus Interface Timing Specifications

over recommended operating supply and temperature ranges unless otherwise specified⁽¹⁾

PARAMETER		TEST CONDITIONS	MIN	NOM	MAX	UNIT
F _{SCL}	SMBUS SCL frequency		10		400	kHz
T _{BUF}	Bus free time between stop and start condition	See Figure 1 .	1.3			µs
T _{HD:STA}	Hold time after (repeated) start condition.	After this period, the first clock is generated.	0.6			µs
T _{SU:STA}	Repeated start condition setup time	See Figure 1 .	0.6			µs
T _{SU:STO}	Stop condition setup time	See Figure 1 .	0.6			µs
T _{HD:DAT}	Data hold time	See Figure 1 .	0			ns
T _{SU:DAT}	Data setup time	See Figure 1 .	100			ns
T _{LOW}	Clock low period	See Figure 1 .	1.3			µs
T _{HIGH}	Clock high period	See Figure 1 .	0.6			µs
T _R	Clock and data rise time	See Figure 1 .			300	ns
T _F	Clock and data fall time	See Figure 1 .			300	ns
T _{POR}	SMBus ready time after POR	Time from minimum VDDIO to SMBus valid write or read access			50	ms

(1) These parameters support SMBus 2.0 specifications.

6.7 Serial Parallel Interface (SPI) Timing Specifications

over recommended operating supply and temperature ranges unless otherwise specified⁽¹⁾

PARAMETER	TEST CONDITIONS	MIN	NOM	MAX	UNIT	
F _{SCK}	SPI SCK frequency			20	MHz	
T _{PH}	SCK pulse width high	See Figure 17 and Figure 18		40	% SCK period	
T _{PL}	SCK pulse width low				40	% SCK period
T _{SU}	MOSI setup time	See Figure 17 and Figure 18		4	ns	
T _H	MOSI hold time				4	ns
T _{SSSU}	SS setup time	See Figure 17 and Figure 18		14	ns	
T _{SSH}	SS hold time				4	ns
T _{SSOF}	SS off time				1	µs
T _{ODZ}	MISO driven-to-tristate time	See Figure 17 and Figure 18		20	ns	
T _{OZD}	MISO tristate-to-driven time				10	ns
T _{OD}	MISO output delay time				15	ns

(1) Typical SPI load capacitance is 2 pF.

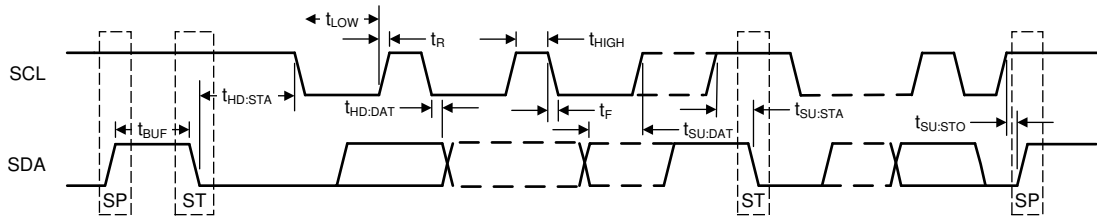


Figure 1. SMBus Timing Parameters

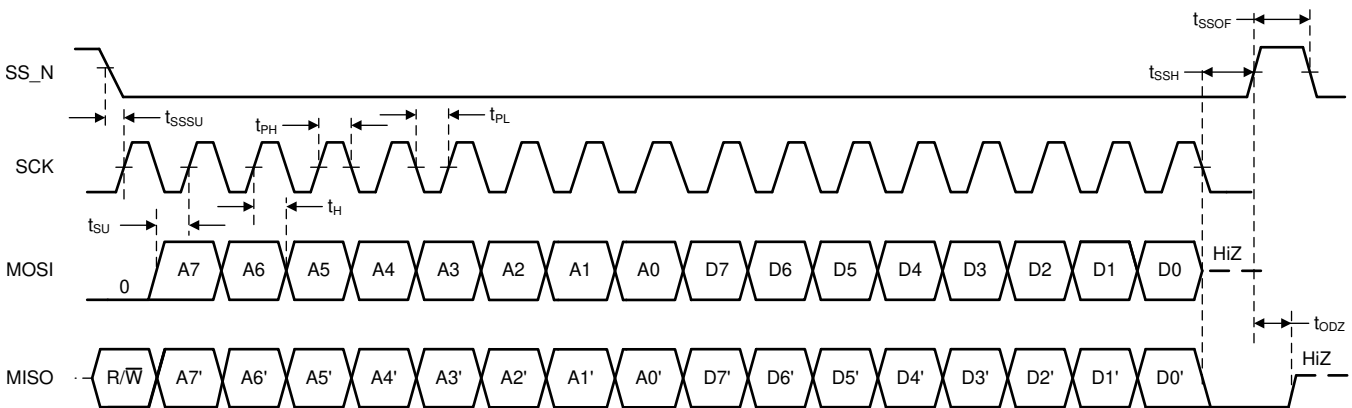


Figure 2. SPI Timing Parameters (Write Operation)

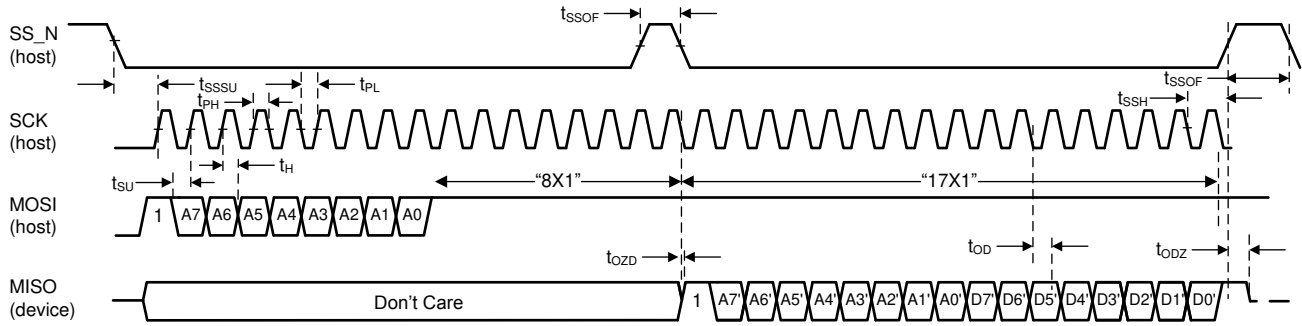


Figure 3. SPI Timing Parameters (Read Operation)

6.8 Typical Characteristics

T_A = 25°C and VIN = VDD_CDR = 2.5 V (unless otherwise noted)

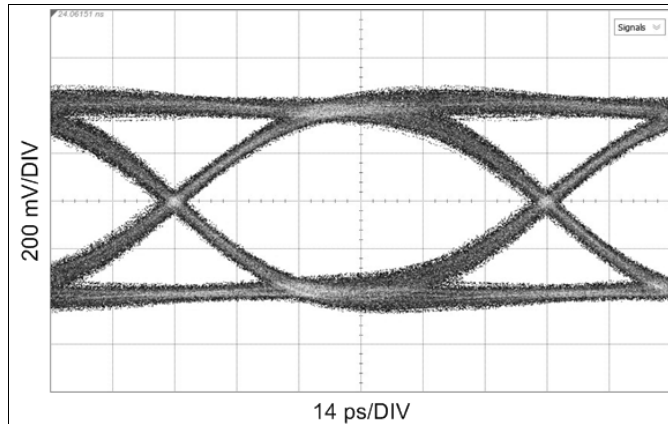


Figure 4. Output at 11.88 Gbps, Measured at SDI_OUT1+, 20-in. FR4 Before IN0±

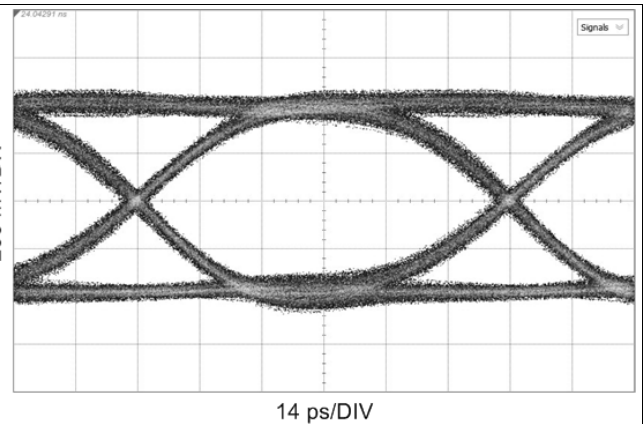


Figure 5. Output at 11.88 Gbps, Measured at SDI_OUT2+, 20-in. FR4 Before IN0±

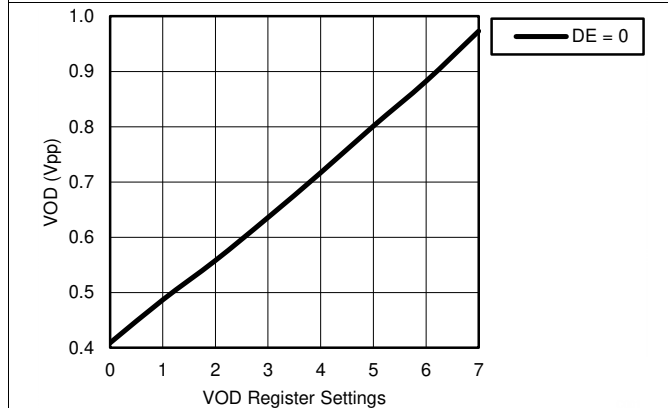


Figure 6. OUT0 VOD vs. OUT0 VOD and DE Register Settings

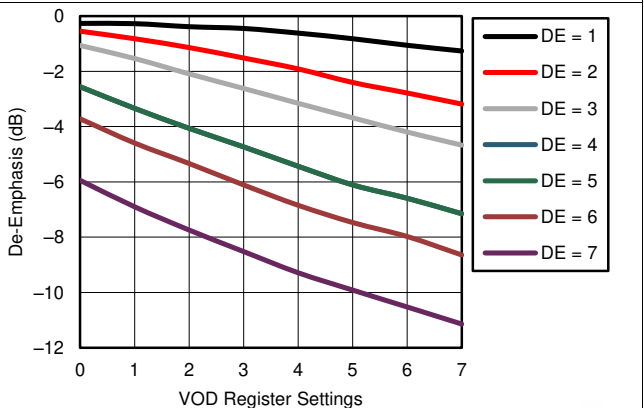
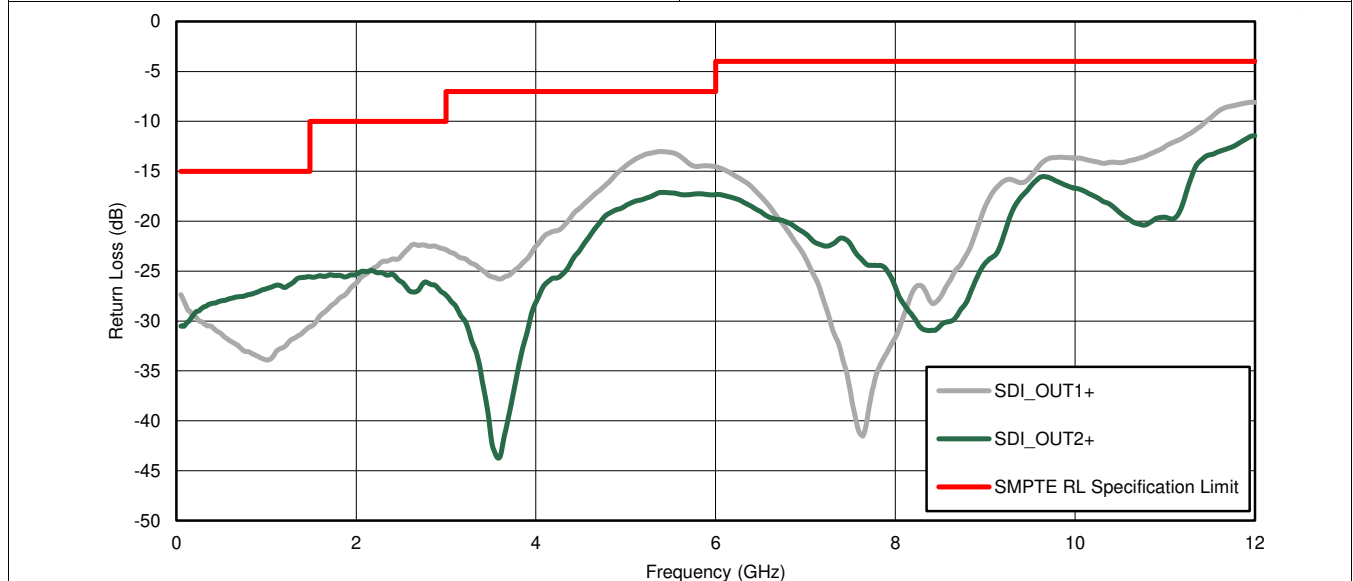


Figure 7. OUT0 De-Emphasis vs. OUT0 VOD and DE Register Settings



Measured with LMH1297EVM

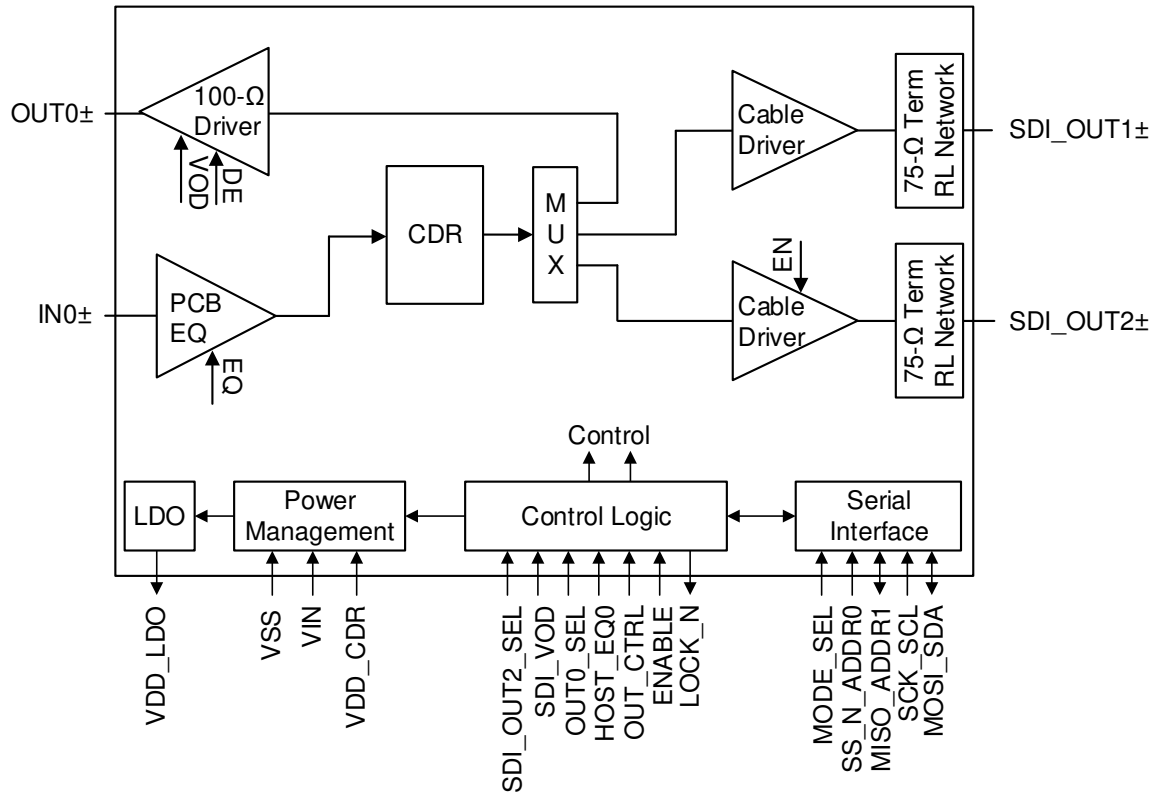
Figure 8. Return Loss (RL) vs Frequency

7 Detailed Description

7.1 Overview

The LMH1228 is a 12G UHD-SDI dual output cable driver with integrated reclocker. From the host-side input at IN0±, the signal is equalized, reclocked, and routed to 75-Ω cable driver outputs at SDI_OUT1+ and SDI_OUT2+. The 100-Ω driver at OUT0± can be used as a host-side loop-back output for monitoring purposes.

7.2 Functional Block Diagram



Copyright © 2016, Texas Instruments Incorporated

Figure 9. LMH1228 Block Diagram Overview

7.3 Feature Description

The LMH1228 data path consists of several key blocks as shown in the functional block diagram. These key blocks are:

- [4-Level Input Pins and Thresholds](#)
- [OUT0_SEL and SDI_OUT2_SEL Control](#)
- [Input Signal Detect](#)
- [Continuous Time Linear Equalizer \(CTLE\)](#)
- [Clock and Data \(CDR\) Recovery](#)
- [Internal Eye Opening Monitor \(EOM\)](#)
- [Output Function Control](#)
- [Output Driver Control](#)
- [Status Indicators and Interrupts](#)

7.3.1 4-Level Input Pins and Thresholds

The 4-level input configuration pins use a resistor divider to provide four logic states for each control pin. There is an internal 30-k Ω pullup and a 60-k Ω pulldown connected to the control pin that sets the default voltage at $2/3 \times V_{IN}$. These resistors, together with the external resistor, combine to achieve the desired voltage level. By using the 1-k Ω pulldown, 20-k Ω pulldown, no connect, and 1-k Ω pullup, the optimal voltage levels for each of the four input states are achieved as shown in [Table 1](#).

Table 1. 4-Level Control Pin Settings

LEVEL	SETTING	NOMINAL PIN VOLTAGE
H	Tie 1 k Ω to VIN	VIN
F	Float (leave pin open)	$2/3 \times V_{IN}$
R	Tie 20 k Ω to VSS	$1/3 \times V_{IN}$
L	Tie 1 k Ω to VSS	0

Typical 4-Level Input Thresholds:

- Internal Threshold between L and R = $0.2 \times V_{IN}$
- Internal Threshold between R and F = $0.5 \times V_{IN}$
- Internal Threshold between F and H = $0.8 \times V_{IN}$

7.3.2 OUT0_SEL and SDI_OUT2_SEL Control

The OUT0_SEL and SDI_OUT2_SEL pins select the LMH1228 data-path routes. [Table 2](#) shows all possible signal path combinations and typical use cases for each configuration.

Table 2. LMH1228 Signal Path Combinations

OUT0_SEL	SDI_OUT2_SEL	INPUT	MAIN OUTPUT	LINE SIDE SECONDARY OUTPUT	HOST SIDE LOOP-BACK OUTPUT	TYPICAL APPLICATION
H	H	IN0 \pm	SDI_OUT1 \pm			Single cable driver
H	L	IN0 \pm	SDI_OUT1 \pm	SDI_OUT2 \pm		Dual cable drivers
L	H	IN0 \pm	SDI_OUT1 \pm		OUT0 \pm	Single cable driver with host-side loop-back enabled
L	L	IN0 \pm	SDI_OUT1 \pm	SDI_OUT2 \pm	OUT0 \pm	Dual cable drivers with host-side loop-back enabled

7.3.3 Input Signal Detect

IN0 has a signal detect circuit to monitor the presence or absence of an input signal. When the input signal amplitude for the selected input exceeds the signal detect assert threshold, the LMH1228 operates in normal operation mode.

In the absence of an input signal, the LMH1228 automatically goes into Power Save Mode to conserve power dissipation. When a valid signal is detected, the LMH1228 automatically exits Power Save Mode and returns to the normal operation mode. If the ENABLE pin is pulled low, the LMH1228 is forced into Power-Down Mode. In Power Save Mode, both the signal detect circuit and the serial interface remain active. In Power-Down Mode, only the serial interface remains active.

Users can monitor the status of the signal detect through register programming. This can be done either by configuring the LOCK_N pin to output the SD_N status or by monitoring the signal detect status register.

Table 3. Input Signal Detect Modes of Operation

ENABLE	SIGNAL INPUT	OPERATING MODE
H	100-Ω signal input at IN0±	Normal operation Signal Detector at IN0± Serial interface active
H	No signal at IN0±	Power Save Mode Signal Detector at IN0± Serial interface active
L	Input signal ignored	Power-Down Mode Forced device power down Serial interface active

7.3.4 Continuous Time Linear Equalizer (CTLE)

The LMH1228 has a continuous time linear equalizer (CTLE) block for IN0. The CTLE compensates for frequency-dependent loss due to the transmission media prior to the device input. The CTLE accomplishes this by applying variable gain to the input signal, thereby boosting higher frequencies more than lower frequencies. The CTLE block extends the signal bandwidth, restores the signal amplitude, and reduces ISI caused by the transmission medium.

IN0 has an on-chip 100-Ω termination and is designed for AC coupling, requiring a 4.7-μF, AC-coupling capacitor for minimizing base-line wander. The PCB equalizer can compensate up to 20 inches of board trace at data rates up to 11.88 Gbps. There are two adapt modes for IN0: AM0 manual mode and AM1 adaptive mode. In AM0 manual mode, fixed EQ boost settings are applied through user-programmable control. In AM1 adaptive mode, state machines automatically find the optimal EQ boost from a set of 16 predetermined settings defined in Registers 0x40-0x4F.

The HOST_EQ0 pin determines the IN0 adapt mode and EQ boost level. For normal operation, HOST_EQ0 = F is recommended. HOST_EQ0 pin logic settings are shown in Table 4. These HOST_EQ0 pin settings can be overridden by register control. For more information, refer to the *LMH1228 and LMH1208 Programming Guide* (SNAU206).

Table 4. HOST_EQ0 Pin EQ Settings

HOST_EQ0 ⁽¹⁾	IN0± EQ BOOST	RECOMMENDED BOARD TRACE IN0± ⁽²⁾
H	All Rates: AM0 Manual Mode, EQ=0x00	< 1 inch
F	Normal Operation 12G to 3G Rates: AM1 Adaptive Mode 1.5G, 270M Rates: AM0 Manual Mode, EQ= 0x00	0-20 inches
R	All Rates: AM0 Manual Mode, EQ=0x80	10-15 inches
L	All Rates: AM0 Manual Mode, EQ=0x90	20 inches

(1) The HOST_EQ0 pin is also used to set OUT0 VOD and de-emphasis values. See [Host-Side 100-Ω Output Driver \(OUT0±\)](#) for more information.

(2) Recommended board trace at 11.88 Gbps.

7.3.5 Clock and Data (CDR) Recovery

After the input signal passes through the CTLE, the equalized data is fed into the clock and data recovery (CDR) block. Using an internal PLL, the CDR locks to the incoming equalized data and recovers a clean internal clock to re-sample the equalized data. The LMH1228 CDR is able to tolerate high input jitter, tracking low-frequency input jitter below the PLL bandwidth while reducing high-frequency input jitter above the PLL bandwidth. The supported data rates are listed in Table 5.

Table 5. Supported Data Rates

INPUT	DATA RATE	RECLOCKER
IN0±	11.88 Gbps, 5.94 Gbps, 2.97 Gbps, 1.485 Gbps, 270 Mbps ⁽¹⁾	Enable
	125 Mbps	Bypass

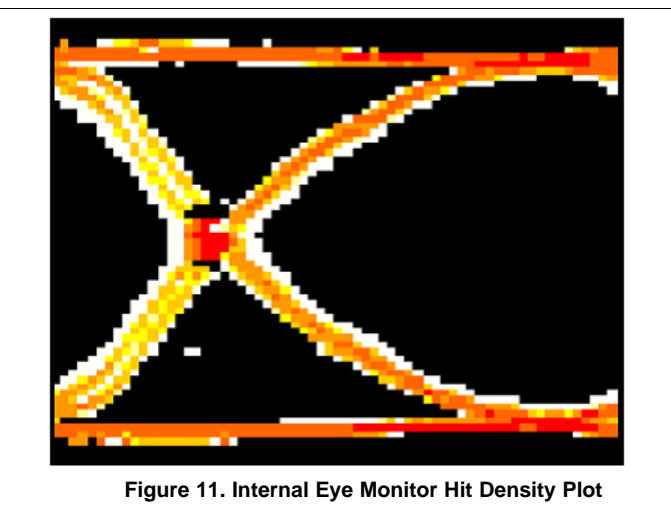
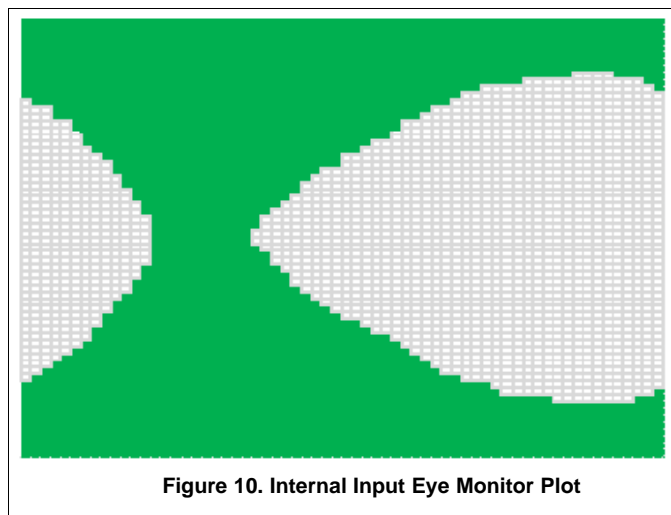
(1) The LMH1228 supports divide-by-1.001 lock rates for 11.88 Gbps, 5.94 Gbps, 2.97 Gbps, and 1.485 Gbps.

7.3.6 Internal Eye Opening Monitor (EOM)

The LMH1228 has an on-chip eye opening monitor (EOM) that can be used to analyze, monitor, and diagnose the post-equalized waveform, just prior to the CDR reclocker. The EOM is operational for 2.97 Gbps and higher data rates.

The EOM monitors the post-equalized waveform in a time window that spans one unit interval and a configurable voltage range that spans up to ±400 mV. The time window and voltage range are divided into 64 steps, so the result of the eye capture is a 64 × 64 matrix of hits, where each point represents a specific voltage and phase offset relative to the main data sampler. The number of hits registered at each point needs to be taken in context with the total number of bits observed at that voltage and phase offset to determine the corresponding probability for that point.

The resulting 64 × 64 matrix produced by the EOM can be processed by software and visualized in a number of ways. Two common ways to visualize this data are shown in Figure 10 and Figure 11. These diagrams depict examples of eye monitor plots implemented by software. The first plot is an example using the EOM data to plot a basic eye using ASCII characters, which can be useful for diagnostic software. The second plot shows the first derivative of the EOM data, revealing the density of hits and the actual waveforms and crossings that comprise the eye.



A common measurement performed by the EOM is the horizontal and vertical eye opening. The horizontal eye opening (HEO) represents the width of the post-equalized eye at 0-V differential amplitude, measured in unit intervals or picoseconds (ps). The vertical eye opening (VEO) represents the height of the post-equalized eye, measured midway between the mean zero crossing of the eye. This position in time approximates the CDR sampling phase. HEO and VEO measurements can be read back through register control.

7.3.7 Output Function Control

The LMH1228 output function control for data routed to outputs SDI_OUT1, SDI_OUT2, and OUT0 is configured by the OUT_CTRL pin. The OUT_CTRL pin determines whether to bypass the reclocker. In normal operation (OUT_CTRL = F), the reclocker is enabled.

OUT_CTRL pin logic settings are shown in Table 6. These settings can be overridden through register control by applying the appropriate override bit values. For more information, refer to the *LMH1228 and LMH1208 Programming Guide* (SNAU206).

Table 6. OUT_CTRL Settings for Bypass Modes⁽¹⁾

OUT_CTRL	IN0± PCB EQUALIZER	RELOCKER	SUMMARY
H, F	Enable	Enable	Normal operation Input IN0 equalizer enabled Reclocker enabled
R, L	Enable	Bypass	Input IN0 equalizer enabled in AM0 manual mode. IN0 EQ settings configurable by HOST_EQ0 pin. Reclocker bypassed

(1) Regardless of OUT_CTRL pin setting, IN0 CTLE is always enabled.

7.3.8 Output Driver Control

7.3.8.1 Line-Side Output Cable Driver (SDI_OUT1+, SDI_OUT2+)

The LMH1228 has two output cable driver (CD) blocks, one for SDI_OUT1 and another for SDI_OUT2. These SDI outputs are designed to drive 75-Ω single-ended coaxial cables at data rates up to 11.88 Gbps. Both SDI_OUT1 and SDI_OUT2 feature an integrated 75-Ω termination and return loss compensation network for meeting stringent SMPTE return loss requirements (see Figure 8). The cable drivers are designed for AC coupling, requiring a 4.7-μF, AC-coupling capacitor for minimizing base-line wander due to the rare-occurring pathological bit pattern.

7.3.8.1.1 Output Amplitude (VOD)

SDI_OUT1 and SDI_OUT2 are designed for transmission across 75-Ω single-ended impedance. The nominal SDI cable driver output amplitude (VOD) is 800 mVp-p single-ended. In the presence of long output cable lengths or crosstalk, the SDI_VOD pin can be used to optimize the cable driver output with respect to the nominal amplitude. Table 7 details VOD settings that can be applied to both SDI_OUT1 and SDI_OUT2. The SDI_VOD pin can be overridden through register control. In addition, the nominal VOD amplitude can be changed by register control. For more information, refer to the *LMH1228 and LMH1208 Programming Guide* (SNAU206).

Table 7. SDI_VOD Settings for Line-Side Output Amplitude

SDI_VOD	DESCRIPTION
H	about +5% of nominal
F	800 mVp-p (nominal)
R	about +10% of nominal
L	about -5% of nominal

7.3.8.1.2 Output Pre-Emphasis

In addition to SDI cable driver VOD control, the LMH1228 can add pre-emphasis on the cable driver output to improve output signal integrity when the reclocker recovers a UHD (12G, 6G) or HD (3G, 1.5G) input data rate. By default, the LMH1228 automatically enables pre-emphasis on SDI_OUT1 and SDI_OUT2 at UHD (12G, 6G) rates, and pre-emphasis is disabled for all other data rates. When enabled, the amount of pre-emphasis applied to the cable driver outputs is determined by register control. If the reclocker is bypassed or if the user desires to disable automatic pre-emphasis, pre-emphasis can be enabled manually through register control. For more information, refer to the *LMH1228 and LMH1208 Programming Guide* (SNAU206).

7.3.8.1.3 Output Slew Rate

SMPTE specifications require different output driver rise and fall times depending on the operating data rate. To meet these requirements, the output edge rate of SDI_OUT1 and SDI_OUT2 is automatically programmed according to the signal recovered by the reclocker. Typical edge rates at the cable driver output are shown in Table 8.

Table 8. SDI_OUT1 and SDI_OUT2 Output Edge Rate

DETECTED DATA RATE	CABLE DRIVER OUTPUT EDGE RATE (TYP)
11.88 Gbps	34 ps
5.94 Gbps	36 ps
2.97 Gbps	59 ps
1.485 Gbps	60 ps
270 Mbps	550 ps

If the reclocker is bypassed, users must program the desired edge rate manually through register control. For more information, refer to the *LMH1228 and LMH1208 Programming Guide* (SNAU206).

7.3.8.1.4 Output Polarity Inversion

Polarity inversion is supported on both SDI_OUT1 and SDI_OUT2 outputs through register control.

7.3.8.2 Host-Side 100-Ω Output Driver (OUT0±)

OUT0 is a 100-Ω driver output. OUT0 serves as a host-side loop-back output. OUT0 also supports polarity inversion.

The driver offers users the capability to select higher output amplitude and de-emphasis levels for longer board trace that connects the drivers to their downstream receivers. Driver de-emphasis provides transmitter equalization to reduce the ISI caused by the board trace.

The VOD and de-emphasis levels for OUT0 are set by default to 570 mVp-p and –0.4 dB, and these values are recommended for driving 1-2 inches of board trace from OUT0± at 11.88 Gbps. These settings can be changed through register control if desired. When these parameters are controlled by registers, the VOD and de-emphasis levels can be programmed independently. For more information, refer to the *LMH1228 and LMH1208 Programming Guide* (SNAU206).

7.3.9 Status Indicators and Interrupts

The LOCK_N pin is a 3.3-V tolerant, active-low, open-drain output. An external resistor to the logic supply is required. The LOCK_N pin can be configured to indicate reclocker lock, input signal detect, or an interrupt event.

7.3.9.1 LOCK_N (Lock Indicator)

By default, LOCK_N is the reclocker lock indicator, and this pin asserts low when the LMH1228 achieves lock to a valid SMPTE data rate. The LOCK_N pin functionality can also be configured through register control to indicate SD_N (signal detect) or INT_N (interrupt) events. For more information about how to reconfigure the LOCK_N pin functionality, refer to the *LMH1228 and LMH1208 Programming Guide* (SNAU206).

7.3.9.2 SD_N (Signal Detect)

The LOCK_N pin can be reconfigured through register control to indicate a SD_N (signal detect) event. When configured as a SD_N output, the pin asserts low at the end of adaptation after a valid signal is detected by the IN0 signal detect circuit. For more information about how to configure the LOCK_N pin for SD_N functionality, refer to the *LMH1228 and LMH1208 Programming Guide* (SNAU206).

7.3.9.3 INT_N (Interrupt)

The LOCK_N pin can be configured to indicate an INT_N (interrupt) event. When configured as an INT_N output, the pin asserts low when an interrupt occurs, according to the programmed interrupt masks. Five separate masks can be programmed through register control as interrupt sources:

- If there is a loss of signal (LOS) event on IN0 (2 separate masks).
- If HEO or VEO falls below a certain threshold after CDR is locked (1 mask).
- If a CDR Lock event has occurred (2 separate masks).

INT_N is a sticky bit, meaning that it will flag after an interrupt occurs and will not clear until read-back. Once the Interrupt Status Register is read, the INT_N pin will assert high again. For more information about how to configure the LOCK_N pin for INT_N functionality, refer to the *LMH1228 and LMH1208 Programming Guide* (SNAU206).

7.4 Device Functional Modes

The LMH1228 operates in one of two modes: System Management Bus (SMBus) or Serial Peripheral Interface (SPI) mode. To determine the mode of operation, the proper setting must be applied to the MODE_SEL pin at power up, as detailed in [Table 9](#).

Table 9. MODE_SEL Pin Settings

LEVEL	DESCRIPTION
H	Reserved for factory testing – do not use
F	Selects SPI Interface for register access
R	Reserved for factory testing – do not use
L	Selects SMBus Interface for register access

7.4.1 System Management Bus (SMBus) Mode

The SMBus interface can also be used to control the device. If MODE_SEL = Low (1 kΩ to VSS), Pins 13 and 29 are configured as SDA and SCL. Pins 11 and 28 are address straps ADDR0 and ADDR1 during power up. The maximum operating speed supported on the SMBUS pins is 400 kHz.

Table 10. SMBus Device Slave Addresses⁽¹⁾

ADDR0 (LEVEL)	ADDR1 (LEVEL)	7-BIT SLAVE ADDRESS [HEX]	8-BIT WRITE COMMAND [HEX]
L	L	2D	5A
L	R	2E	5C
L	F	2F	5E
L	H	30	60
R	L	31	62
R	R	32	64
R	F	33	66
R	H	34	68
F	L	35	6A
F	R	36	6C
F	F	37	6E
F	H	38	70
H	L	39	72
H	R	3A	74
H	F	3B	76
H	H	3C	78

(1) The 8-bit write command consists of the 7-bit slave address (Bits 7:1) with 0 appended to the LSB to indicate an SMBus write. For example, if the 7-bit slave address is 0x2D (010 1101'b), the 8-bit write command is 0x5A (0101 1010'b).

7.4.1.1 SMBus Read and Write Transaction

SMBus is a two-wire serial interface through which various system component chips can communicate with the master. Slave devices are identified by having a unique device address. The two-wire serial interface consists of SCL and SDA signals. SCL is a clock output from the master to all of the slave devices on the bus. SDA is a bidirectional data signal between the master and slave devices. The LMH1228 SMBus SCL and SDA signals are open-drain and require external pullup resistors.

Start and Stop:

The master generates Start and Stop patterns at the beginning and end of each transaction.

- Start: High-to-low transition (falling edge) of SDA while SCL is high.
- Start: High-to-low transition (falling edge) of SDA while SCL is high.

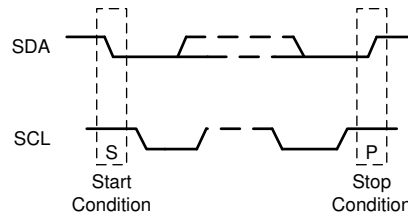


Figure 12. Start and Stop Conditions

The master generates nine clock pulses for each byte transfer. The 9th clock pulse constitutes the ACK cycle. The transmitter releases SDA to allow the receiver to send the ACK signal. An ACK is recorded when the device pulls SDA low, while a NACK is recorded if the line remains high.

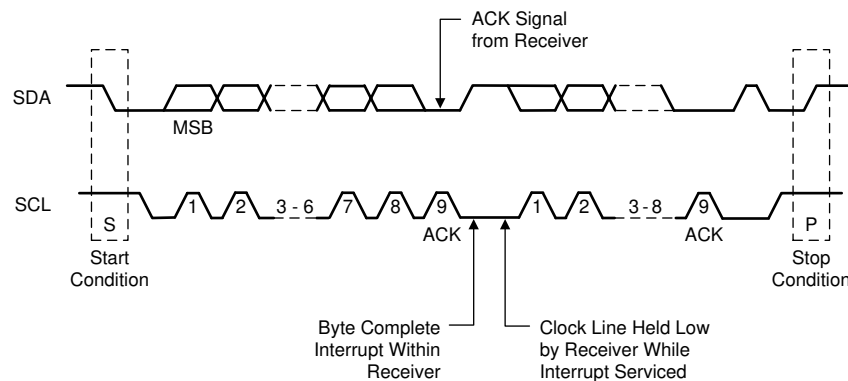


Figure 13. Acknowledge (ACK)

7.4.1.1.1 SMBus Write Operation Format

Writing data to a slave device consists of three parts, as illustrated in Figure 14:

1. The master begins with a start condition followed by the slave device address with the R/\bar{W} bit set to 0'b.
2. After an ACK from the slave device, the 8-bit register word address is written.
3. After an ACK from the slave device, the 8-bit data is written, followed by a stop condition.

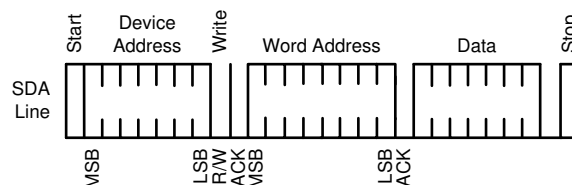


Figure 14. SMBus Write Operation

7.4.1.1.2 SMBus Read Operation Format

SMBus read operation consists of four parts, as illustrated in Figure 15:

1. The master begins with a start condition, followed by the slave device address with the $\overline{R/\overline{W}}$ bit set to 0'b.
2. After an ACK from the slave device, the 8-bit register word address is written.
3. After an ACK from the slave device, the master initiates a restart condition, followed by the slave address with the $\overline{R/\overline{W}}$ bit set to 1'b.
4. After an ACK from the slave device, the 8-bit data is read-back. The last ACK is high if there are no more bytes to read, and the last read is followed by a stop condition.

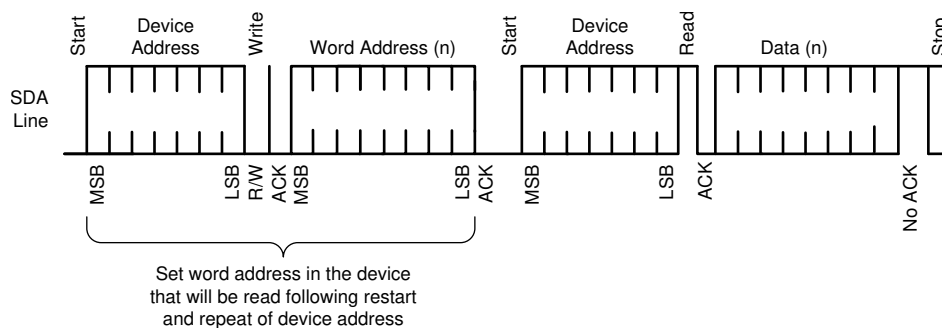


Figure 15. SMBus Read Operation

7.4.2 Serial Peripheral Interface (SPI) Mode

If $\text{MODE_SEL} = \text{F}$ or H , the LMH1228 is in SPI mode. In SPI mode, the following pins are used for SPI bus communication:

- MOSI (Pin 13): Master Output Slave Input
- MISO (Pin 28): Master Input Slave Output
- SS_N (Pin 11): Slave Select (Active Low)
- SCK (Pin 29): Serial Clock (Input to the LMH1228 Slave Device)

7.4.2.1 SPI Read and Write Transactions

Each SPI transaction to a single device is 17 bits long and is framed by SS_N when asserted low. The MOSI input is ignored, and the MISO output is floated whenever SS_N is deasserted (high).

The bits are shifted in left-to-right. The first bit is $\overline{R/\overline{W}}$, which is 1'b for *read* and 0'b for *write*. Bits A7-A0 are the 8-bit register address, and bits D7-D0 are the 8-bit read or write data. The previous SPI command, address, and data are shifted out on MISO as the current command, address, and data are shifted in on MOSI. In all SPI transactions, the MISO output signal is enabled asynchronously when SS_N asserts low. The contents of a single MOSI or MISO transaction frame are shown in Figure 16.

Figure 16. 17-Bit Single SPI Transaction Frame

R/W	A7	A6	A5	A4	A3	A2	A1	A0	D7	D6	D5	D4	D3	D2	D1	D0
-----	----	----	----	----	----	----	----	----	----	----	----	----	----	----	----	----

7.4.2.2 SPI Write Transaction Format

For SPI writes, the R/W bit is 0'b. SPI write transactions are 17 bits per device, and the command is executed on the rising edge of SS_N. The SPI transaction always starts on the rising edge of the clock.

The signal timing for a SPI Write transaction is shown in Figure 17. The *prime* values on MISO (for example, A7') reflect the contents of the shift register from the previous SPI transaction and are listed as don't-care for the current transaction.

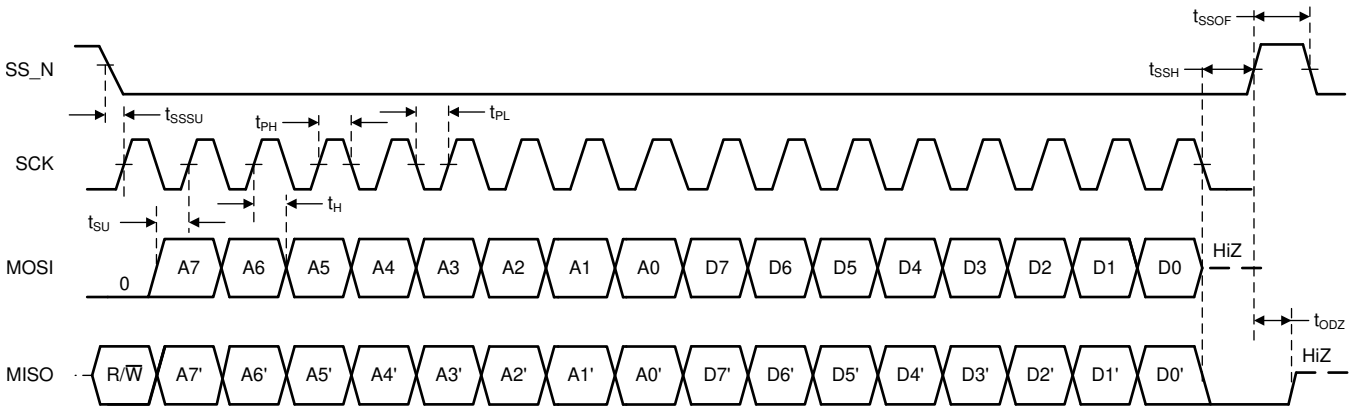


Figure 17. Signal Timing for a SPI Write Transaction

7.4.2.3 SPI Read Transaction Format

A SPI read transaction is 34 bits per device and consists of two 17-bit frames. The first 17-bit read transaction frame shifts in the address to be read, followed by a dummy transaction second frame to shift out 17-bit read data. The R/W bit is 1'b for the read transaction, as shown in Figure 18.

The first 17 bits from the read transaction specifies 1-bit of R/W and 8-bits of address A7-A0 in the first 8 bits. The eight 1's following the address are ignored. The second dummy transaction acts like a read operation on address 0xFF and needs to be ignored. However, the transaction is necessary to shift out the read data D7-D0 in the last 8 bits of the MISO output. As with the SPI Write, the *prime* values on MISO during the first 16 clocks are listed as don't care for this portion of the transaction. The values shifted out on MISO during the last 17 clocks reflect the read address and 8-bit read data for the current transaction.

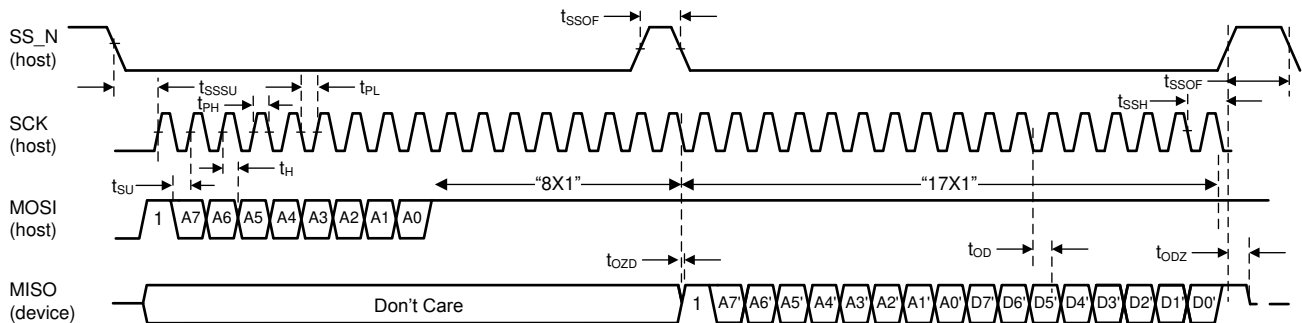


Figure 18. Signal Timing for a SPI Read Transaction

7.4.2.4 SPI Daisy Chain

The LMH1228 supports SPI daisy-chaining among multiple devices, as shown in Figure 19.

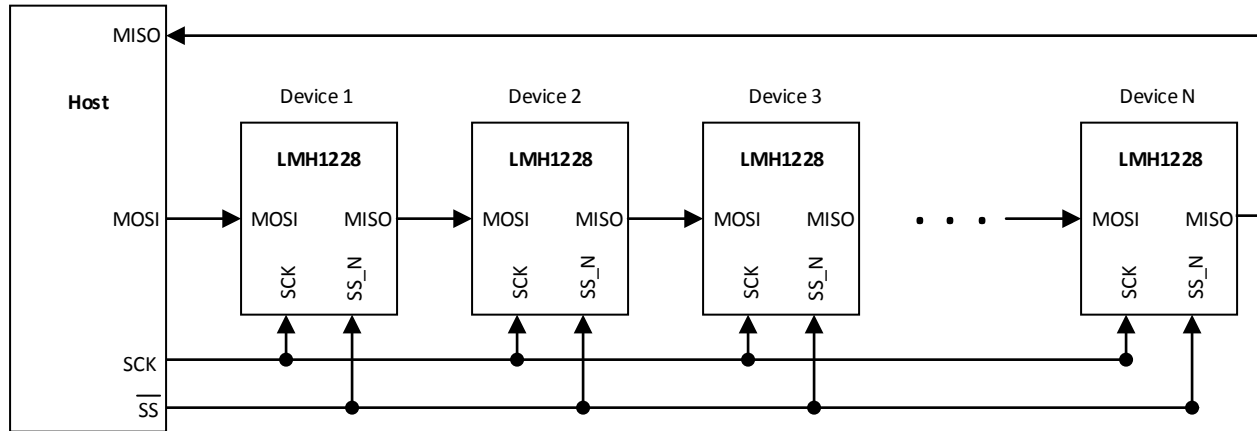


Figure 19. Daisy-Chain Configuration

Each LMH1228 device is directly connected to the SCK and SS_N pins of the host. The first LMH1228 device in the chain is connected to the host's MOSI pin, and the last device in the chain is connected to the host's MISO pin. The MOSI pin of each intermediate LMH1228 device in the chain is connected to the MISO pin of the previous LMH1228 device, thereby creating a serial shift register. In a daisy-chain configuration of $N \times$ LMH1228 devices, the host conceptually sees a shift register of length $17 \times N$ for a basic SPI transaction, during which SS_N is asserted low for $17 \times N$ clock cycles.

7.5 Register Maps

The LMH1228 register map is divided into three register pages. These register pages are used to control different aspects of the LMH1228 functionality. A brief summary of the pages is shown below:

1. **Share Register Page:** This page corresponds to global parameters, such as LMH1228 device ID and LOCK_N status configuration. This is the default page at start-up. Access this page by setting Reg 0xFF[2:0] = 000'b.
2. **CTLE/CDR Register Page:** This page corresponds to IN0 PCB CTLE, output mux settings, CDR settings, and output interrupt overrides. Access this page by setting Reg 0xFF[2:0] = 100'b.
3. **Driver Register Page:** This page corresponds to OUT0, SDI_OUT1, and SDI_OUT2 driver output settings. Access this page by setting Reg 0xFF[2:0] = 101'b.

For the complete register map, typical device configurations, and proper register reset sequencing, refer to the *LMH1228 and LMH1208 Programming Guide* (SNAU206).

8 Application and Implementation

NOTE

Information in the following applications sections is not part of the TI component specification, and TI does not warrant its accuracy or completeness. TI's customers are responsible for determining suitability of components for their purposes. Customers should validate and test their design implementation to confirm system functionality.

8.1 Application Information

8.1.1 SMPTE Requirements and Specifications

SMPTE specifies several key requirements for the Serial Digital Interface to transport digital video over coaxial cables. Such requirements include return loss, AC coupling, and data rate dependency with rise and fall times.

1. **Return Loss:** This specification details how closely the port resembles 75-Ω impedance across a specified frequency band. The LMH1228 features a built-in 75-Ω return-loss network on SDI_OUT1 and SDI_OUT2 to minimize parasitics and improve overall signal integrity.
2. **AC Coupling:** AC-coupling capacitors are required for transporting uncompressed serial data streams with heavy low-frequency content. The use of 4.7-μF, AC-coupling capacitors is recommended to avoid low-frequency DC wander.
3. **Rise/Fall Time:** Output 75-Ω signals are required to meet certain rise and fall timing depending on the data rate. This improves the eye opening observed for the receiving device. The LMH1228 SDI_OUT1 and SDI_OUT2 cable drivers feature automatic edge rate adjustment to meet SMPTE rise and fall time requirements.

TI recommends placing the LMH1228 as close as possible to the 75-Ω BNC ports to meet SMPTE specifications.

8.1.2 Low-Power Optimization

The LMH1228 IN0 CTLE operates in either AM1 Adaptive Mode or AM0 Manual Mode. When operating in AM1, the LMH1228 uses HEO/VEO Lock Monitoring as a key parameter to achieve lock. HEO/VEO Lock Monitoring determines the CTLE boost setting that produces the best horizontal and vertical eye opening after the CTLE. Once AM1 adaptation is complete and the LMH1228 asserts CDR lock at the optimal IN0 CTLE setting, HEO/VEO Lock Monitoring is no longer required to maintain lock. Therefore, HEO/VEO Lock Monitoring can be disabled by setting CTLE/CDR Reg 0x3E[7] = 0'b **after** lock is declared. Disabling HEO/VEO Lock Monitoring optimizes power dissipation, reducing the overall power by approximately 25 mW.

When operating in AM0, the LMH1228 does not use HEO/VEO Lock Monitoring, because the IN0 CTLE setting is set manually by the user. In AM0, HEO/VEO Lock Monitoring can be disabled at any time.

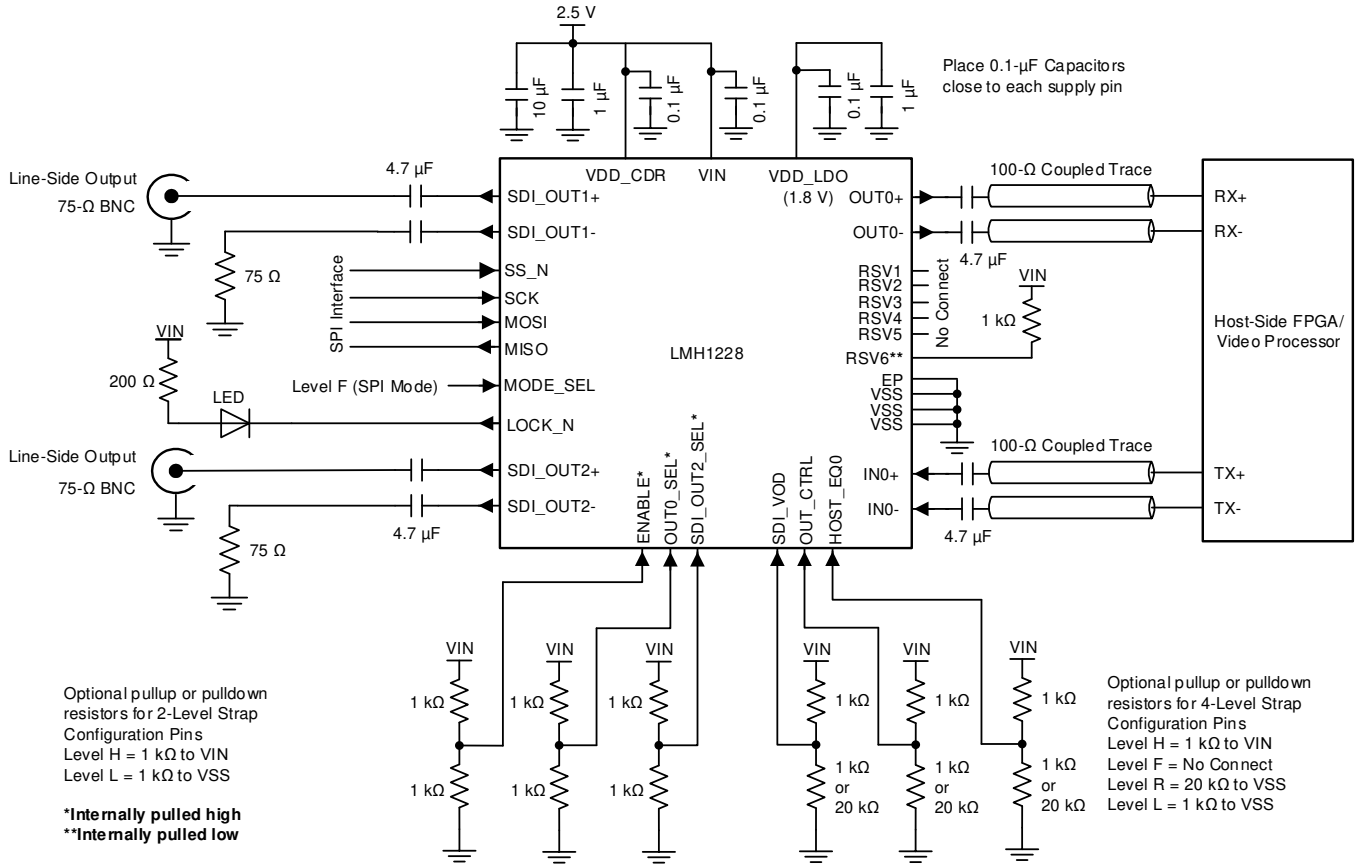
8.1.3 Optimized Loop Bandwidth Settings for Arria 10 FPGA Applications

The LMH1228 default loop bandwidth setting is optimized for a wide variety of applications. For applications using the Intel Arria 10 FPGA, further optimization of the loop bandwidth may be required. Refer to the *LMH1228 and LMH1208 Programming Guide* (SNAU206) for detailed register settings when using the LMH1228 with an Arria 10 FPGA.

8.2 Typical Applications

The LMH1228 is a dual cable driver with integrated reclocker that supports SDI data rates up to 11.88 Gbps. Figure 20 shows a typical application circuit for the LMH1228.

Specific examples of typical applications for the LMH1228 as a dual cable driver and distribution amplifier are detailed in the following subsections.



Copyright © 2016, Texas Instruments Incorporated

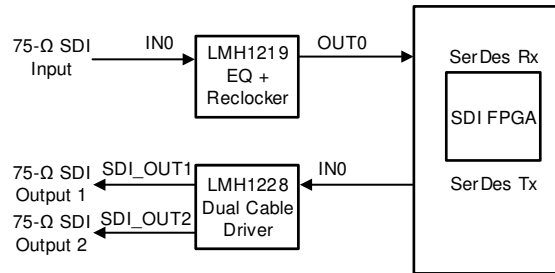
Figure 20. LMH1228 Typical Application Circuit

Typical Applications (continued)

8.2.1 Dual Cable Driver

The LMH1228 can be configured as a dual cable driver to route the same SDI output signal to multiple receivers. In this configuration, the LMH1228 adaptively equalizes 100-Ω SDI input data at IN0 and uses the dual cable drivers at SDI_OUT1 and SDI_OUT2 to drive out the SDI signal.

Figure 21 shows a typical application of an LMH1228 as a dual cable driver output. In this example, the LMH1219 Cable EQ with Integrated Reclocker provides an SDI input to the SDI FPGA. The FPGA then sends post-processed SDI data to the IN0 of the LMH1228, which drives the data on cable driver outputs SDI_OUT1 and SDI_OUT2.



Copyright © 2016, Texas Instruments Incorporated

Figure 21. LMH1228 Dual Cable Driver Application

8.2.1.1 Design Requirements

For general LMH1228 design requirements, reference the guidelines in Table 11.

For dual cable driver application-specific requirements, reference the guidelines in Table 12.

Table 11. LMH1228 General Design Requirements

DESIGN PARAMETER	REQUIREMENTS
SDI_OUT1+, SDI_OUT2+ AC-coupling capacitors	4.7-μF capacitors recommended
SDI_OUT1-, SDI_OUT2- AC-coupling capacitors	4.7-μF capacitors recommended, AC terminated with 75 Ω to VSS.
IN0± and OUT0± AC-coupling capacitors	4.7-μF capacitors recommended
Input and Output Terminations	Input and output terminations provided internally. Do not add external terminations.
DC power supply decoupling capacitors	10-μF and 1-μF bulk capacitors; place close to each device. 0.1-μF capacitor; place close to each supply pin.
VDD_LDO decoupling capacitors	1-μF and 0.1-μF capacitors; place as close as possible to the device VDD_LDO pin.
MODE_SEL Pin	SPI: Leave MODE_SEL unconnected (Level F) SMBus: Connect 1 kΩ to VSS (Level L)
Input Reclocked Data Rate	11.88 Gbps, 5.94 Gbps, 2.97 Gbps, 1.485 Gbps, or Divide-by-1.001 sub-rates and 270 Mbps. For all other input data rates, the reclocker is automatically bypassed.

Table 12. LMH1228 Dual Cable Driver Requirements

DESIGN PARAMETER	REQUIREMENTS
OUT0_SEL Pin	1 kΩ to VIN (Level H) to disable the OUT0 loop-back output
SDI_OUT2_SEL Pin	1 kΩ to VSS (Level L) to enable SDI_OUT2 as secondary cable output

8.2.1.2 Detailed Design Procedure

The design procedure for dual cable driver applications is as follows:

1. Select a power supply that meets the DC and AC requirements in [Recommended Operating Conditions](#).
2. Choose a small 0402 surface mount ceramic capacitor for AC-coupling capacitors to maintain characteristic impedance.
3. Choose a high-quality, 75- Ω BNC connector that is capable of supporting 11.88-Gbps applications. Consult a BNC supplier regarding insertion loss, impedance specifications, and recommended footprint for meeting SMPTE return loss.
4. Follow detailed high-speed layout recommendations provided in [Layout Guidelines](#) to ensure optimal signal quality when interconnecting 75- Ω and 100- Ω signals to the LMH1228.
5. Determine whether SPI or SMBus communication is necessary. If the LMH1228 must be programmed with settings other than what is offered by pin control, users must use SPI or SMBus Mode for additional programming.
6. Configure OUT0_SEL and SDI_OUT2_SEL pins according to the desired default use case.
7. Tune the SDI_VOD output amplitude control pin for optimal signal quality depending on the cable length attached at SDI_OUT1+ and SDI_OUT2+. Use register control for more tuning options if necessary.

8.2.1.3 Application Curves

The LMH1228 performance on SDI_OUT1+ and SDI_OUT2+ was measured with the test setups shown in [Figure 22](#) and [Figure 23](#).

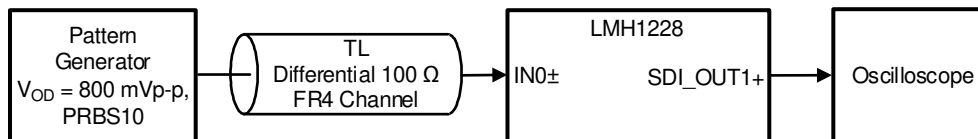


Figure 22. Test Setup for LMH1228 to SDI_OUT1+

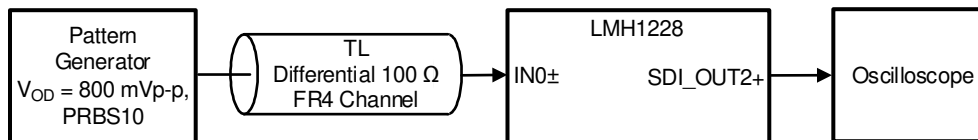
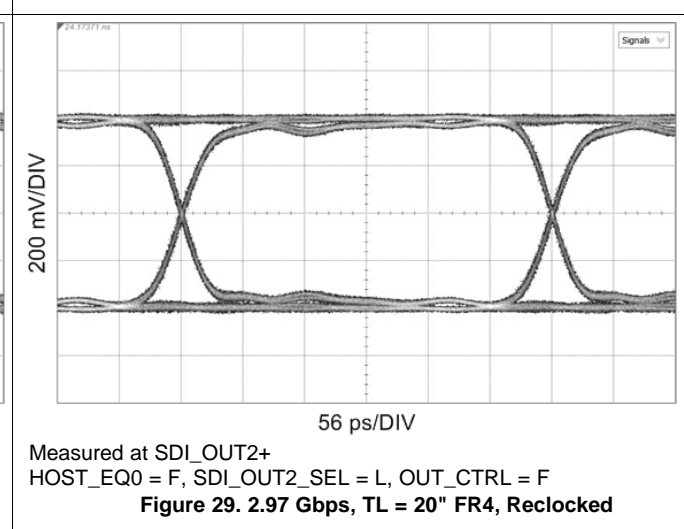
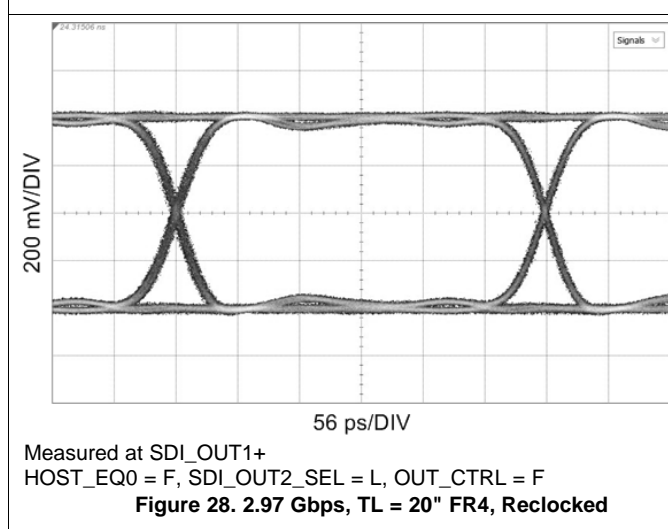
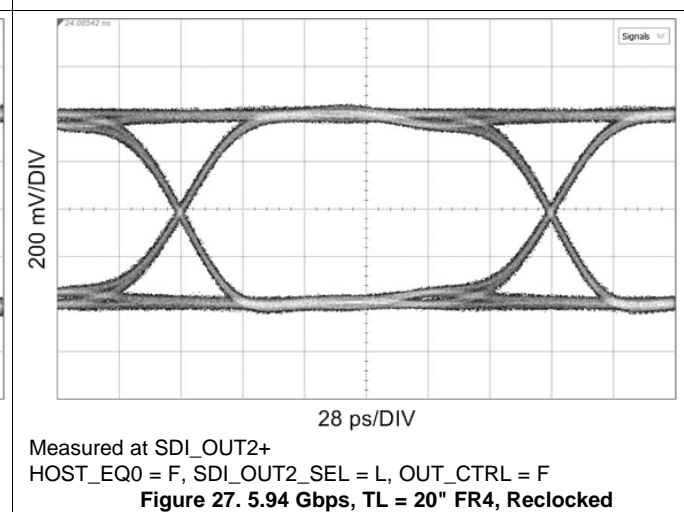
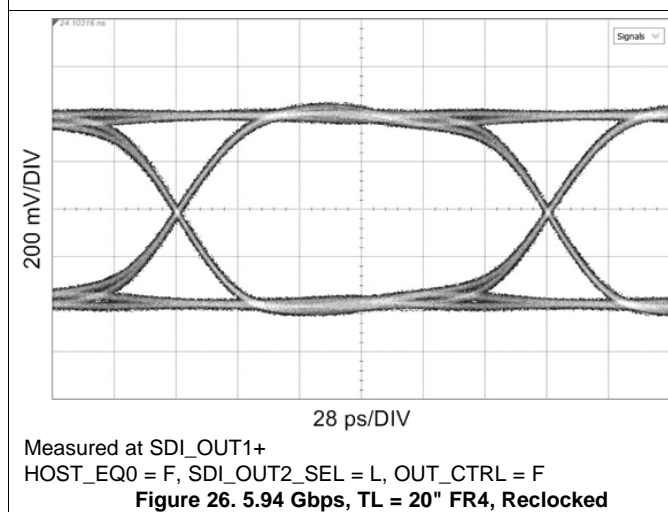
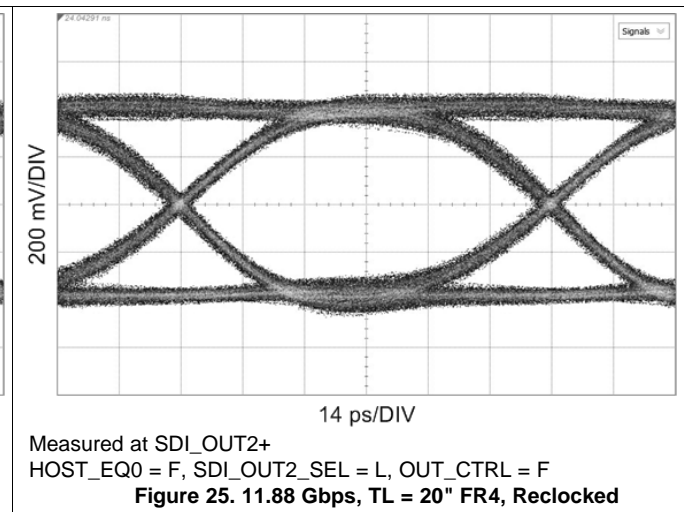
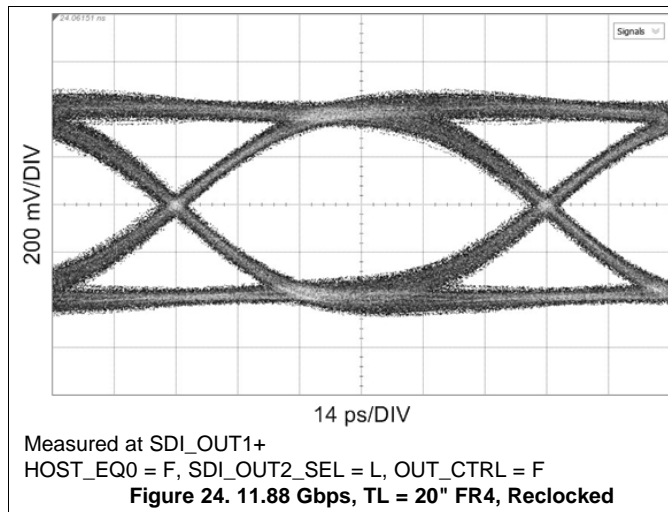
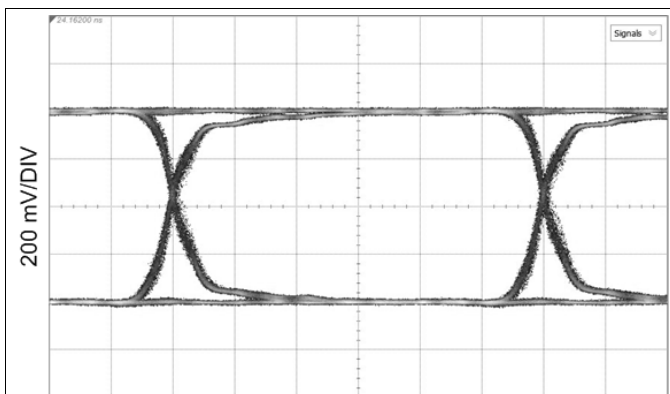


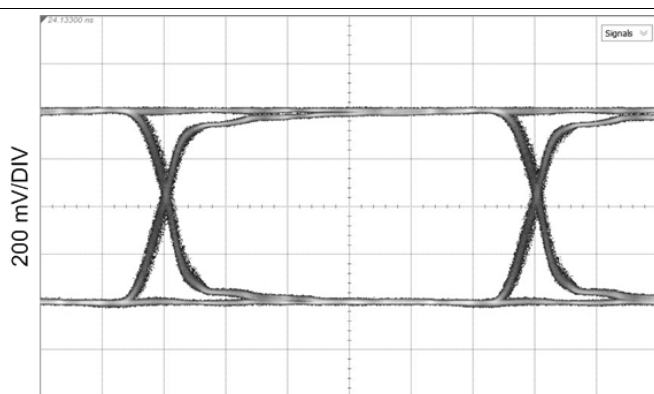
Figure 23. Test Setup for LMH1228 to SDI_OUT2+

The eye diagrams in this subsection show how the LMH1228 improves overall signal integrity in the data path for 100- Ω differential FR4 PCB trace at IN0 \pm .

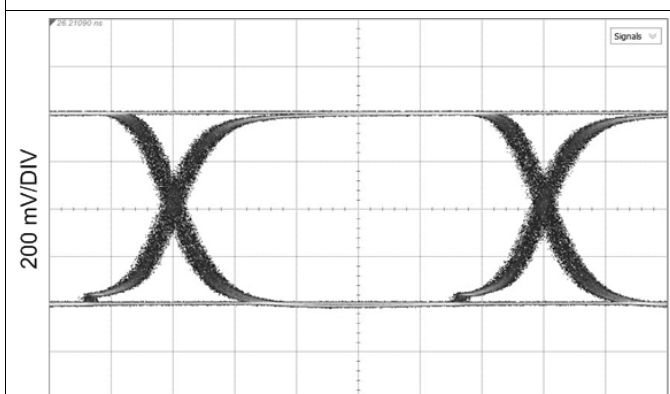




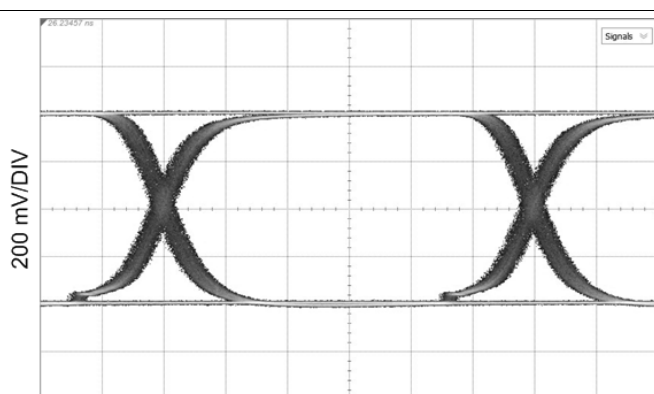
Measured at SDI_OUT1+
 HOST_EQ0 = F, SDI_OUT2_SEL = L, OUT_CTRL = F
Figure 30. 1.485 Gbps, TL = 20" FR4, Reclocked



Measured at SDI_OUT2+
 HOST_EQ0 = F, SDI_OUT2_SEL = L, OUT_CTRL = F
Figure 31. 1.485 Gbps, TL = 20" FR4, Reclocked



Measured at SDI_OUT1+
 HOST_EQ0 = F, SDI_OUT2_SEL = L, OUT_CTRL = F
Figure 32. 270 Mbps, TL = 20" FR4, Reclocked

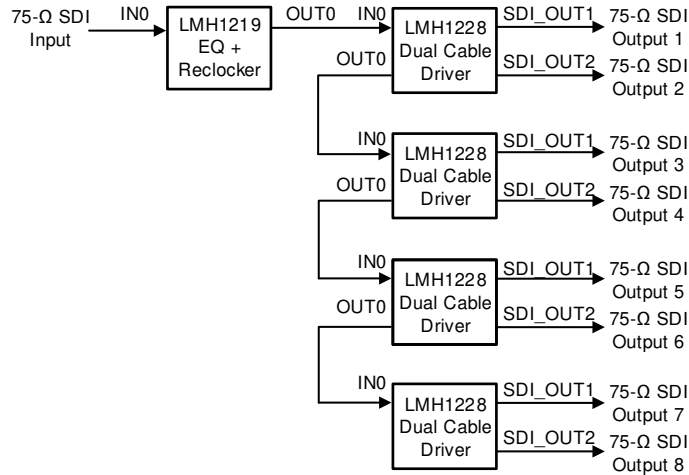


Measured at SDI_OUT2+
 HOST_EQ0 = F, SDI_OUT2_SEL = L, OUT_CTRL = F
Figure 33. 270 Mbps, TL = 20" FR4, Reclocked

8.2.2 Distribution Amplifier

The LMH1228 can be configured as a distribution amplifier to distribute the same SDI input signal to multiple cable driver outputs. In this configuration, the LMH1228 uses the dual cable drivers at SDI_OUT1 and SDI_OUT2 to drive out the SDI signal seen at IN0. Meanwhile, the loop-back output on OUT0 is daisy-chained as a duplicate input to IN0 of the next LMH1228.

Figure 34 shows a typical application where four LMH1228s are used in combination with an LMH1219 Cable EQ with Integrated Reclocker to form a 1:8 distribution amplifier network.



Copyright © 2016, Texas Instruments Incorporated

Figure 34. LMH1228 Distribution Amplifier Application

8.2.2.1 Design Requirements

See Table 11 in *Dual Cable Driver Design Requirements* for general LMH1228 design requirements. For distribution amplifier application-specific requirements, reference the guidelines in Table 13.

Table 13. LMH1228 Distribution Amplifier Requirements

DESIGN PARAMETER	REQUIREMENTS
OUT0_SEL Pin	1 kΩ to VSS (Level L) to enable OUT0 as a loop-back output to the next LMH1228 IN0 input
SDI_OUT2_SEL Pin	1 kΩ to VSS (Level L) to enable SDI_OUT2 as secondary cable output

8.2.2.2 Detailed Design Procedure

See *Dual Cable Driver Detailed Design Procedure* and follow Steps 1 through 5. Refer to the additional steps below for distribution amplifier applications.

1. Configure OUT0_SEL and SDI_OUT2_SEL pins according to the desired default use case.
2. Tune the output VOD and de-emphasis level for the 100-Ω driver prior to each LMH1228 IN0±. In the distribution amplifier example shown in Figure 34, this step applies to the LMH1219 OUT0± driver and all LMH1228 OUT0± drivers that are daisy-chained to a subsequent LMH1228 IN0±. If OUT0± is located within 1-2 inches of IN0±, then use a lower VOD setting and no de-emphasis. If the OUT0± is located many inches away from IN0±, some VOD gain and de-emphasis may be required at OUT0± for the IN0 CTLE to equalize optimally. Use register control for more tuning options if necessary.
3. Tune the SDI_VOD output amplitude control pin for optimal signal quality depending on the cable length attached at SDI_OUT1+ and SDI_OUT2+ for each LMH1228. Use register control for more tuning options if necessary.

8.2.2.3 Application Curves

The LMH1228 performance on OUT0± was measured with the test setup shown in Figure 22.

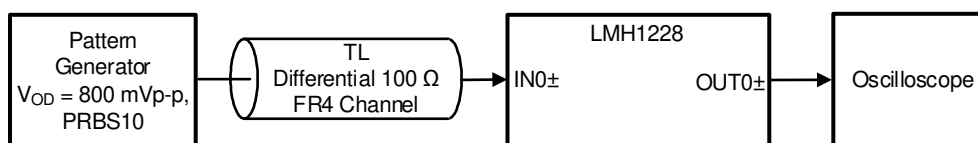
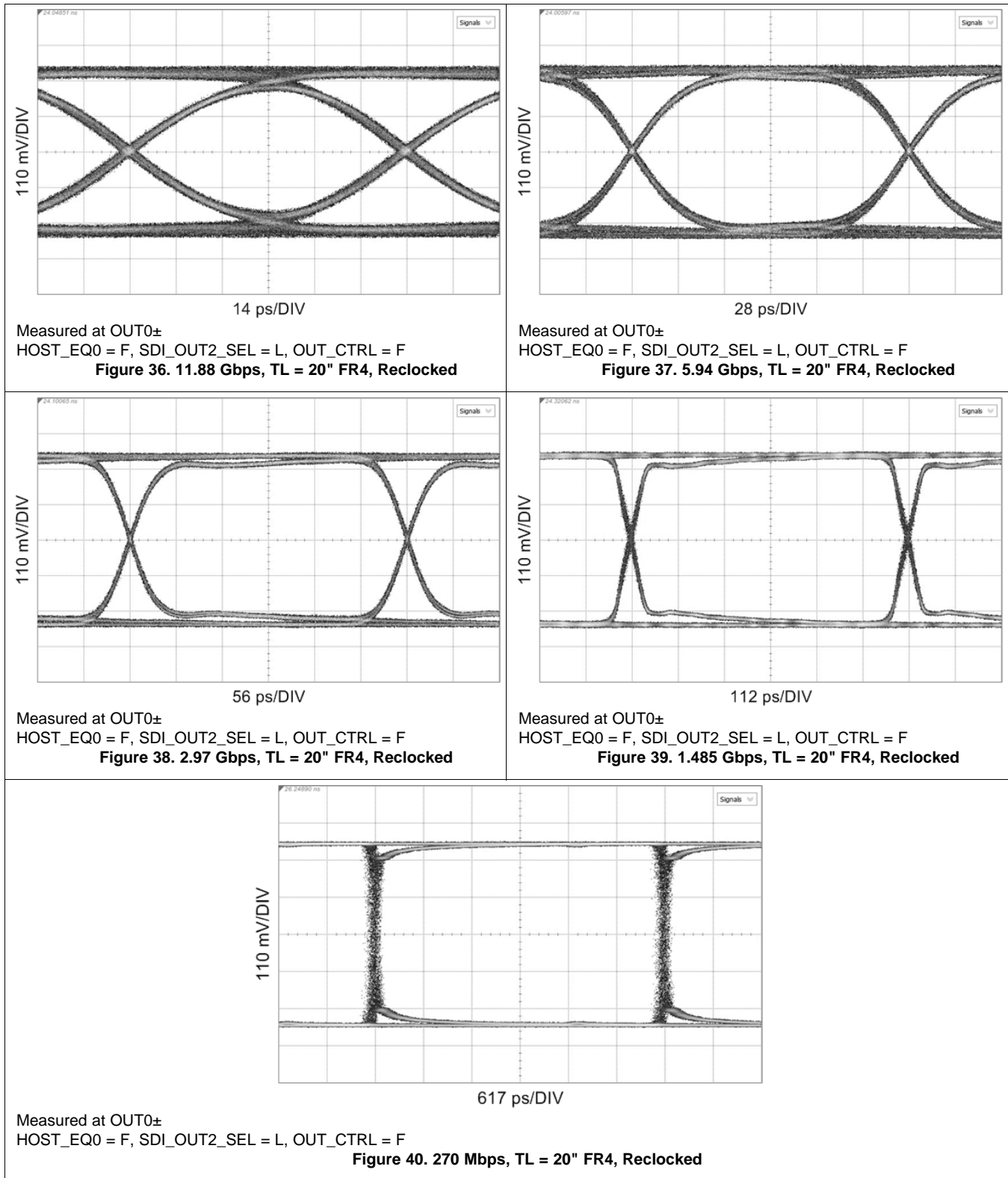


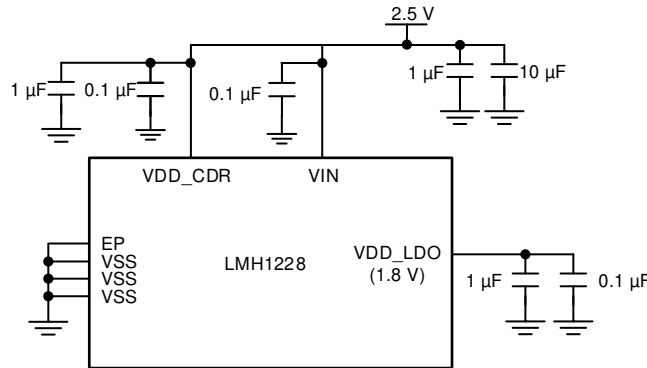
Figure 35. Test Setup for LMH1228 to OUT0±

The eye diagrams in this subsection show how the LMH1228 improves overall signal integrity in the data path for 100-Ω differential FR4 PCB trace at IN0±.



9 Power Supply Recommendations

The LMH1228 requires decoupling capacitors to ensure a stable power supply. For power supply decoupling, 0.1- μF surface-mount ceramic capacitors must be placed close to each VDD_CDR, VDD_LDO, and VIN supply pin to VSS. Larger bulk capacitors (for example, 10 μF and 1 μF) are recommended for VDD_CDR and VIN.



Copyright © 2016, Texas Instruments Incorporated

Figure 41. Recommended Power Supply Decoupling

Good supply bypassing requires low inductance capacitors. This can be achieved through an array of multiple small body size surface-mount bypass capacitors to keep low supply impedance. Better results can be achieved through the use of a buried capacitor formed by a VDD and VSS plane separated by 2 to 4 mil dielectric in a printed-circuit board.

10 Layout

10.1 Layout Guidelines

The following guidelines are recommended to optimize the board layout for the LMH1228.

10.1.1 Board Stack-Up and Ground References

- Choose a suitable board stack-up that supports 75- Ω single-ended trace and 100- Ω differential trace routing on the top layer of the board. This is typically done with a Layer-2 ground plane reference for the 100- Ω differential traces and a Layer-3 ground plane reference for the 75- Ω single-end traces.
- Maintain a distance of at least 5 times the trace width between signal trace and ground reference if they are on the same layer. This prevents unwanted changes in the characteristic impedance.
- Maintain a consistent ground plane reference for each high-speed trace from source to end-point. Ground reference discontinuities lead to characteristic impedance mismatch.

10.1.2 High-Speed PCB Trace Routing and Coupling

Observe the following general high-speed recommendations for high-speed trace routing:

- For differential pairs, maintain a uniform width and gap for each differential pair where possible. When traces must diverge (for example, due to AC-coupling capacitors), ensure that the traces branch out or merge uniformly.
- To prevent reflections due to trace routing, ensure that trace bends are at most 45°. Right angle bends should be implemented with at least two 45° corners. Radial bends are ideal.
- Avoid using signal vias. If signal vias must be used, a return path (GND) via must be placed near the signal via to provide a consistent ground reference and minimize impedance discontinuities.
- Avoid via stubs by back-drilling as necessary.

Layout Guidelines (continued)

10.1.2.1 SDI_OUT1± and SDI_OUT2±:

- Use an uncoupled trace with 75-Ω single-ended impedance for signal routing to SDI_OUT1± and SDI_OUT2±.
- The trace width is typically 8 to 10 mils with reference to a Layer-3 ground plane.

10.1.2.2 IN0± and OUT0±:

- Use coupled traces with 100-Ω differential impedance for signal routing to IN0± and OUT0±.
- The trace width is typically 5 to 8 mils with reference to a Layer-2 ground plane.

10.1.3 Anti-Pads

- Place anti-pads (ground relief) on the power and ground planes directly under the 4.7-μF, AC-coupling capacitor and IC landing pads to minimize parasitic capacitance. The size of the anti-pad and the number of layers to use the anti-pad depend on the board stack-up and can be determined by a 3-dimension electromagnetic simulation tool.

10.1.4 BNC Connector Layout and Routing

- Use a well-designed BNC footprint to ensure the BNC's signal landing pad achieves 75-Ω characteristic impedance. BNC suppliers usually provide recommendations on BNC footprint for best results.
- Keep trace length short between the BNC and SDI_OUT1±. The trace routing for SDI_OUT1+ and SDI_OUT1– should be as symmetrical as possible, with approximately equal lengths and equal loading. The same is true for SDI_OUT2+ and SDI_OUT2–.

10.1.5 Power Supply and Ground Connections

- Connect each supply pin (VDD_CDR, VIN, VDD_LDO) directly to the power or ground planes with a short via. The via is usually placed tangent to the supply pins' landing pads with the shortest trace possible.
- Power supply decoupling capacitors should be a small physical size (0402 or smaller) and placed close to the supply pins to minimize inductance. The capacitors are commonly placed on the bottom layer and share the ground of the EP (Exposed Pad).

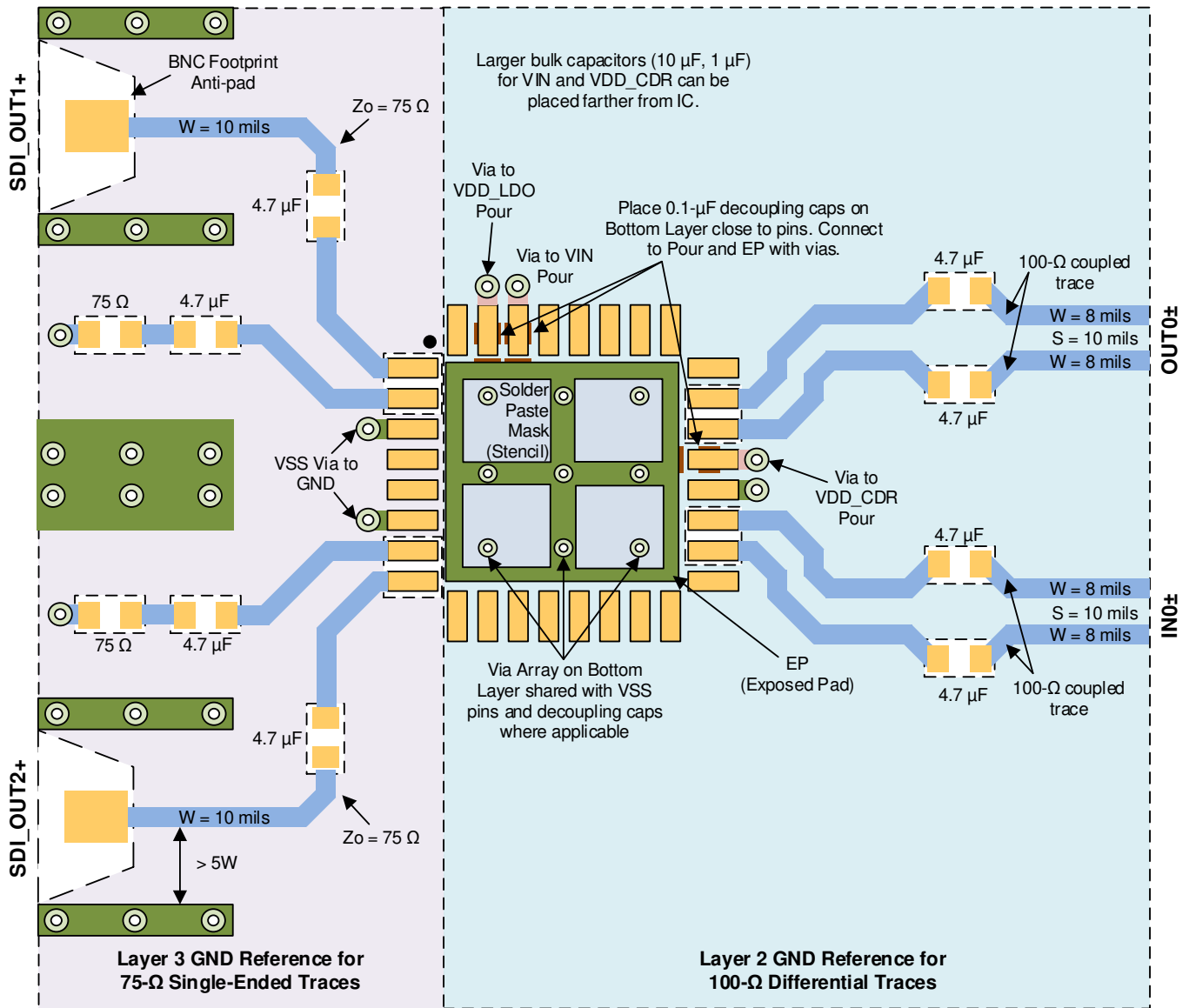
10.1.6 Footprint Recommendations

- Stencil parameters for the EP (Exposed Pad) such as aperture area ratio and the fabrication process have a significant impact on paste deposition. Inspection of the stencil prior to placement of the WQFN package is highly recommended to improve board assembly yields. If the via and aperture openings are not carefully monitored, the solder may flow unevenly through the EP. Stencil parameters for aperture opening and via locations are shown in the RTV package drawing in [メカニカル、パッケージ、および注文情報](#).
- The EP of the package must be connected to the ground plane through a 3 × 3 via array. These vias are solder-masked to avoid solder flowing into the plated-through holes during the board manufacturing process. Details about via dimensions are also shown in the RTV package drawing in [メカニカル、パッケージ、および注文情報](#).

More information on the WQFN style package is provided in [WQFN/SO8 PCB Attachment Application Report \(SLUA271\)](#).

10.2 Layout Example

The example shown in [Figure 42](#) demonstrates the LMH1228 layout guidelines highlighted in [Layout Guidelines](#).



Note: All high speed signal traces are assumed to be on Layer 1 (Top Layer).

Figure 42. LMH1228 High-Speed Trace Layout Example

11 デバイスおよびドキュメントのサポート

11.1 ドキュメントのサポート

11.1.1 関連資料

関連資料については、以下を参照してください。

『[QFN/SONのPCB実装](#)』アプリケーション・レポート(SLUA271)

11.2 ドキュメントの更新通知を受け取る方法

ドキュメントの更新についての通知を受け取るには、[ti.com](#)のデバイス製品フォルダを開いてください。右上の「アラートを受け取る」をクリックして登録すると、変更されたすべての製品情報に関するダイジェストを毎週受け取れます。変更の詳細については、修正されたドキュメントに含まれている改訂履歴をご覧ください。

11.3 サポート・リソース

[TI E2E™ support forums](#) are an engineer's go-to source for fast, verified answers and design help — straight from the experts. Search existing answers or ask your own question to get the quick design help you need.

Linked content is provided "AS IS" by the respective contributors. They do not constitute TI specifications and do not necessarily reflect TI's views; see TI's [Terms of Use](#).

11.4 商標

E2E is a trademark of Texas Instruments.

All other trademarks are the property of their respective owners.

11.5 静電気放電に関する注意事項



すべての集積回路は、適切なESD保護方法を用いて、取扱いと保存を行うようにして下さい。

静電気放電はわずかな性能の低下から完全なデバイスの故障に至るまで、様々な損傷を与えます。高精度の集積回路は、損傷に対して敏感であり、極めてわずかなパラメータの変化により、デバイスに規定された仕様に適合しなくなる場合があります。

11.6 輸出管理に関する注意事項

受取人は、直接または間接に、ソフトウェアを含む(米国、英国およびその他の輸出管理規制で定められた)任意の製品または技術データ、他に適用される国による規制で制限されこの契約に基づいて開示者から受領した管理対象製品、または当該のテクノロジーの直接の産物について、米国法またはその他に適用される法律で当該の輸出または再輸出が制限または禁止されている仕向地に、当該の法律によって必要とされている範囲について米国商務省および権限を有するその他の政府機関による事前の許可を受けることなく、故意に輸出または再輸出しないことに合意します。

11.7 Glossary

[SLYZ022](#) — *TI Glossary*.

This glossary lists and explains terms, acronyms, and definitions.

12 メカニカル、パッケージ、および注文情報

以降のページには、メカニカル、パッケージ、および注文に関する情報が記載されています。この情報は、そのデバイスについて利用可能な最新のデータです。このデータは予告なく変更されることがあり、ドキュメントが改訂される場合もあります。本データシートのブラウザ版を使用されている場合は、画面左側の説明をご覧ください。

12.1 Package Option Addendum

12.1.1 Packaging Information

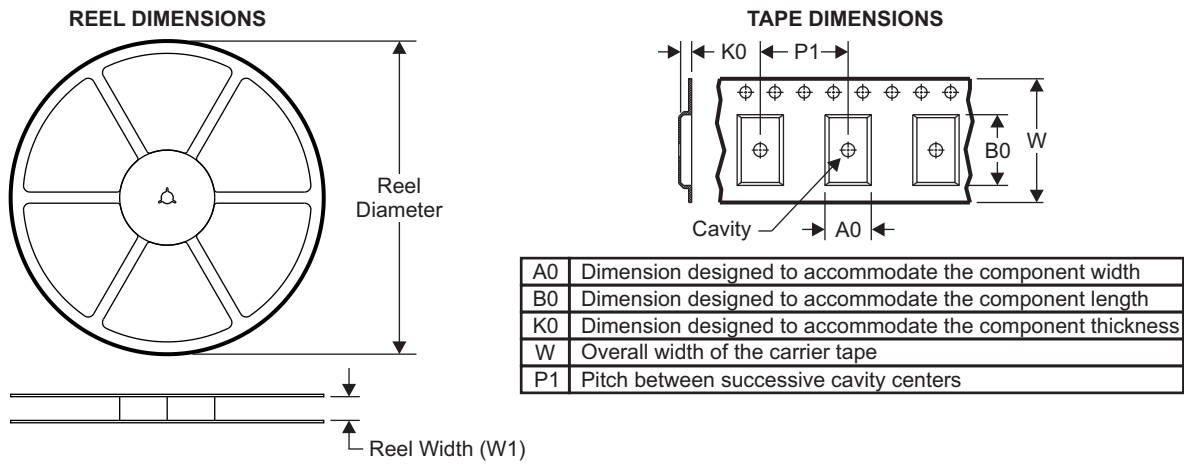
Orderable Device	Status ⁽¹⁾	Package Type	Package Drawing	Pins	Package Qty	Eco Plan ⁽²⁾	Lead/Ball Finish ⁽³⁾	MSL Peak Temp ⁽⁴⁾	Op Temp (°C)	Device Marking ⁽⁵⁾⁽⁶⁾
LMH1228RTVR	ACTIVE	WQFN	RTV	32	1000	Green (RoHS & no Sb/Br)	CU NIPDAU	Level-3-260C-168 HR	-40 to 85	L1228
LMH1228RTVT	ACTIVE	WQFN	RTV	32	250	Green (RoHS & no Sb/Br)	CU NIPDAU	Level-3-260C-168 HR	-40 to 85	L1228

- (1) The marketing status values are defined as follows:
ACTIVE: Product device recommended for new designs.
LIFEBUY: TI has announced that the device will be discontinued, and a lifetime-buy period is in effect.
NRND: Not recommended for new designs. Device is in production to support existing customers, but TI does not recommend using this part in a new design.
PRE_PROD Unannounced device, not in production, not available for mass market, nor on the web, samples not available.
PREVIEW: Device has been announced but is not in production. Samples may or may not be available.
OBSOLETE: TI has discontinued the production of the device.
- (2) Eco Plan - The planned eco-friendly classification: Pb-Free (RoHS), Pb-Free (RoHS Exempt), or Green (RoHS & no Sb/Br) - please check <http://www.ti.com/productcontent> for the latest availability information and additional product content details.
TBD: The Pb-Free/Green conversion plan has not been defined.
Pb-Free (RoHS): TI's terms "Lead-Free" or "Pb-Free" mean semiconductor products that are compatible with the current RoHS requirements for all 6 substances, including the requirement that lead not exceed 0.1% by weight in homogeneous materials. Where designed to be soldered at high temperatures, TI Pb-Free products are suitable for use in specified lead-free processes.
Pb-Free (RoHS Exempt): This component has a RoHS exemption for either 1) lead-based flip-chip solder bumps used between the die and package, or 2) lead-based die adhesive used between the die and leadframe. The component is otherwise considered Pb-Free (RoHS compatible) as defined above.
Green (RoHS & no Sb/Br): TI defines "Green" to mean Pb-Free (RoHS compatible), and free of Bromine (Br) and Antimony (Sb) based flame retardants (Br or Sb do not exceed 0.1% by weight in homogeneous material)
- (3) Lead/Ball Finish - Orderable Devices may have multiple material finish options. Finish options are separated by a vertical ruled line. Lead/Ball Finish values may wrap to two lines if the finish value exceeds the maximum column width.
- (4) MSL, Peak Temp. -- The Moisture Sensitivity Level rating according to the JEDEC industry standard classifications, and peak solder temperature.
- (5) There may be additional marking, which relates to the logo, the lot trace code information, or the environmental category on the device
- (6) Multiple Device markings will be inside parentheses. Only on Device Marking contained in parentheses and separated by a "-" will appear on a device. If a line is indented then it is a continuation of the previous line and the two combined represent the entire Device Marking for that device.

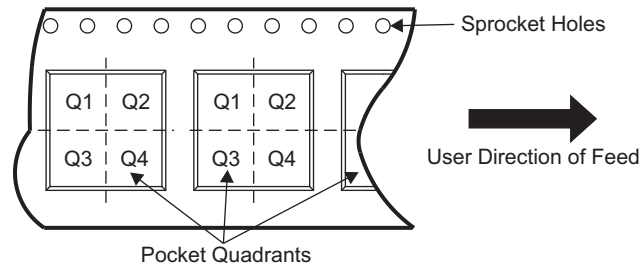
Important Information and Disclaimer: The information provided on this page represents TI's knowledge and belief as of the date that it is provided. TI bases its knowledge and belief on information provided by third parties, and makes no representation or warranty as to the accuracy of such information. Efforts are underway to better integrate information from third parties. TI has taken and continues to take reasonable steps to provide representative and accurate information but may not have conducted destructive testing or chemical analysis on incoming materials and chemicals. TI and TI suppliers consider certain information to be proprietary, and thus CAS numbers and other limited information may not be available for release.

In no event shall TI's liability arising out of such information exceed the total purchase price of the TI part(s) at issue in this document sold by TI to Customer on an annual basis.

12.1.2 Tape and Reel Information



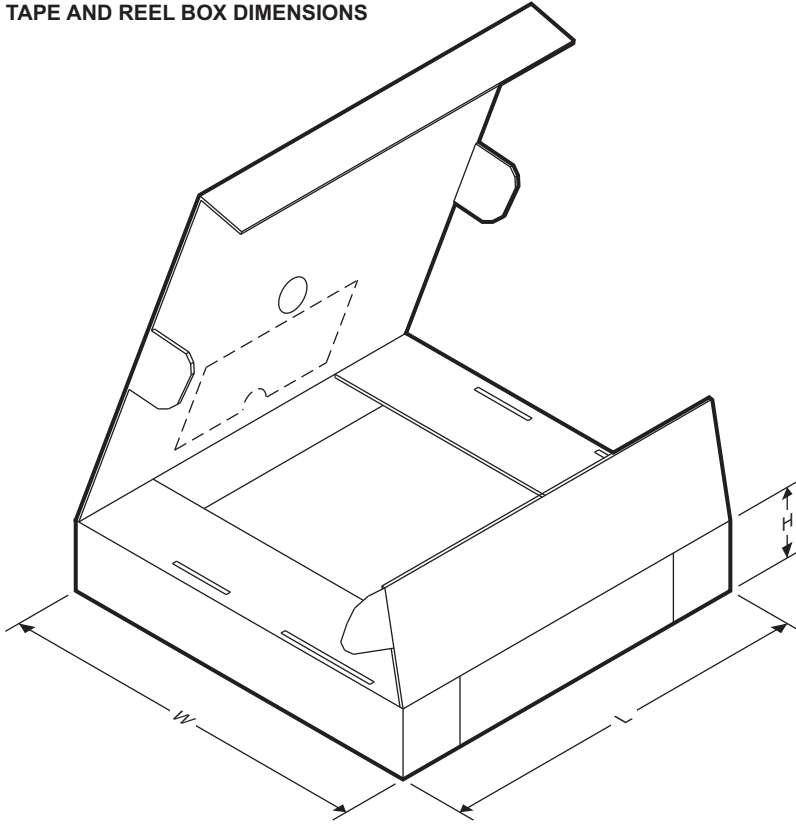
QUADRANT ASSIGNMENTS FOR PIN 1 ORIENTATION IN TAPE



Device	Package Type	Package Drawing	Pins	SPQ	Reel Diameter (mm)	Reel Width W1 (mm)	A0 (mm)	B0 (mm)	K0 (mm)	P1 (mm)	W (mm)	Pin1 Quadrant
LMH1228RTVR	WQFN	RTV	32	1000	178.0	12.4	5.3	5.3	1.1	8.0	12.0	Q2
LMH1228RTVT	WQFN	RTV	32	250	178.0	12.4	5.3	5.3	1.1	8.0	12.0	Q2

LMH1228

JAJSI48C – MARCH 2017 – REVISED OCTOBER 2019

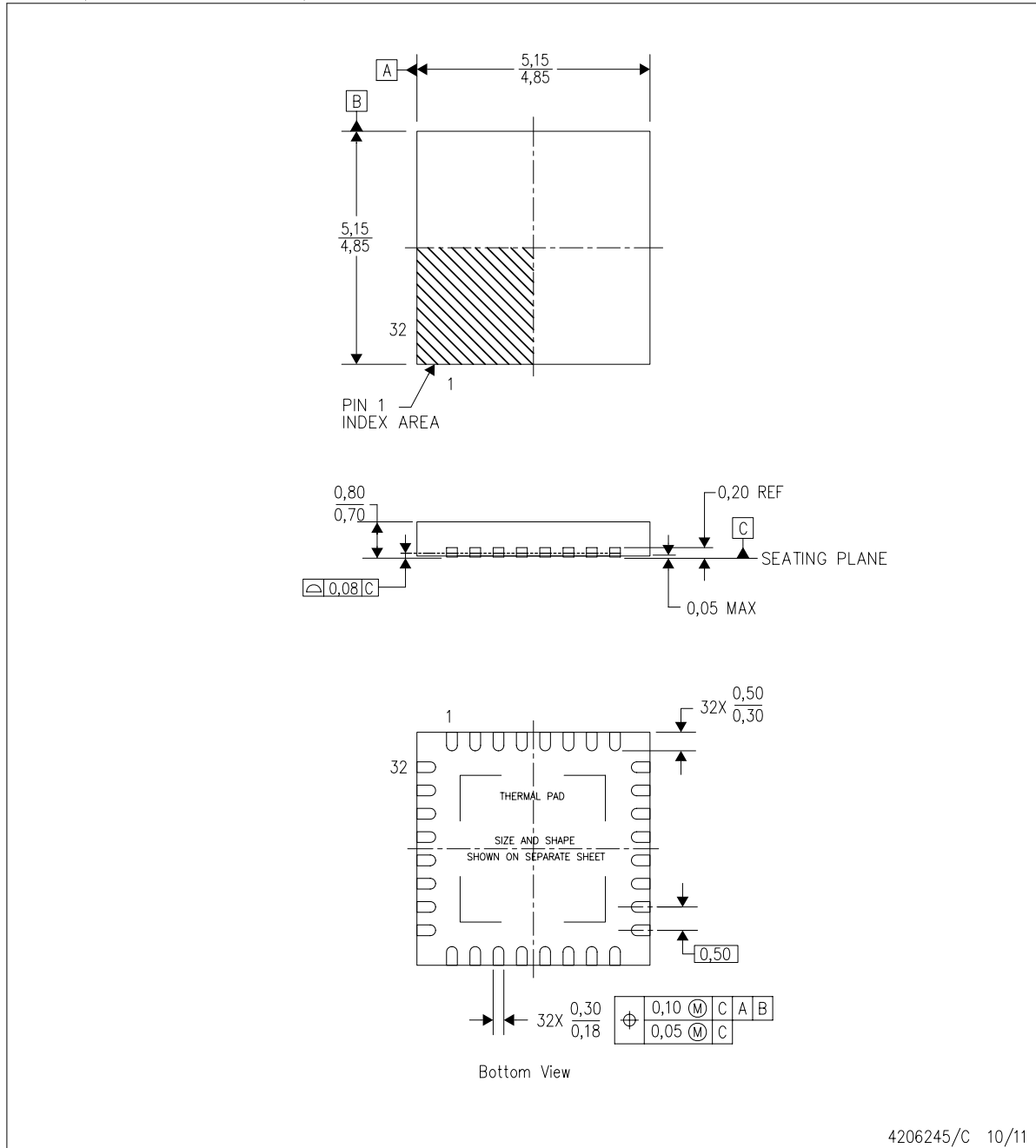
www.tij.co.jp
TAPE AND REEL BOX DIMENSIONS


Device	Package Type	Package Drawing	Pins	SPQ	Length (mm)	Width (mm)	Height (mm)
LMH1228RTVR	WQFN	RTV	32	1000	210.0	185.0	35.0
LMH1228RTVT	WQFN	RTV	32	250	210.0	185.0	35.0

MECHANICAL DATA

RTV (S-PWQFN-N32)

PLASTIC QUAD FLATPACK NO-LEAD



- NOTES:
- A. All linear dimensions are in millimeters. Dimensioning and tolerancing per ASME Y14.5–1994.
 - B. This drawing is subject to change without notice.
 - C. Quad Flatpack, No-Leads (QFN) package configuration.
 - D. The package thermal pad must be soldered to the board for thermal and mechanical performance.
 - E. See the additional figure in the Product Data Sheet for details regarding the exposed thermal pad features and dimensions.
 - F. Falls within JEDEC MO-220.

THERMAL PAD MECHANICAL DATA

RTV (S-PWQFN-N32)

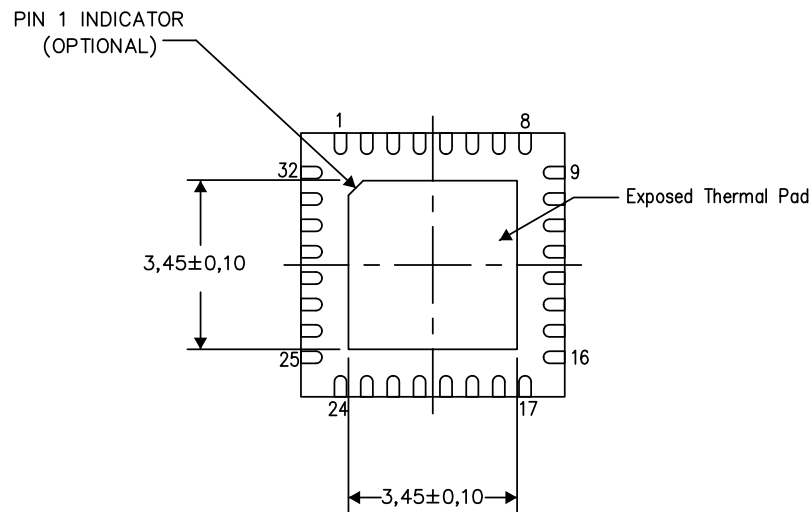
PLASTIC QUAD FLATPACK NO-LEAD

THERMAL INFORMATION

This package incorporates an exposed thermal pad that is designed to be attached directly to an external heatsink. The thermal pad must be soldered directly to the printed circuit board (PCB). After soldering, the PCB can be used as a heatsink. In addition, through the use of thermal vias, the thermal pad can be attached directly to the appropriate copper plane shown in the electrical schematic for the device, or alternatively, can be attached to a special heatsink structure designed into the PCB. This design optimizes the heat transfer from the integrated circuit (IC).

For information on the Quad Flatpack No-Lead (QFN) package and its advantages, refer to Application Report, QFN/SON PCB Attachment, Texas Instruments Literature No. SLUA271. This document is available at www.ti.com.

The exposed thermal pad dimensions for this package are shown in the following illustration.



Bottom View

Exposed Thermal Pad Dimensions

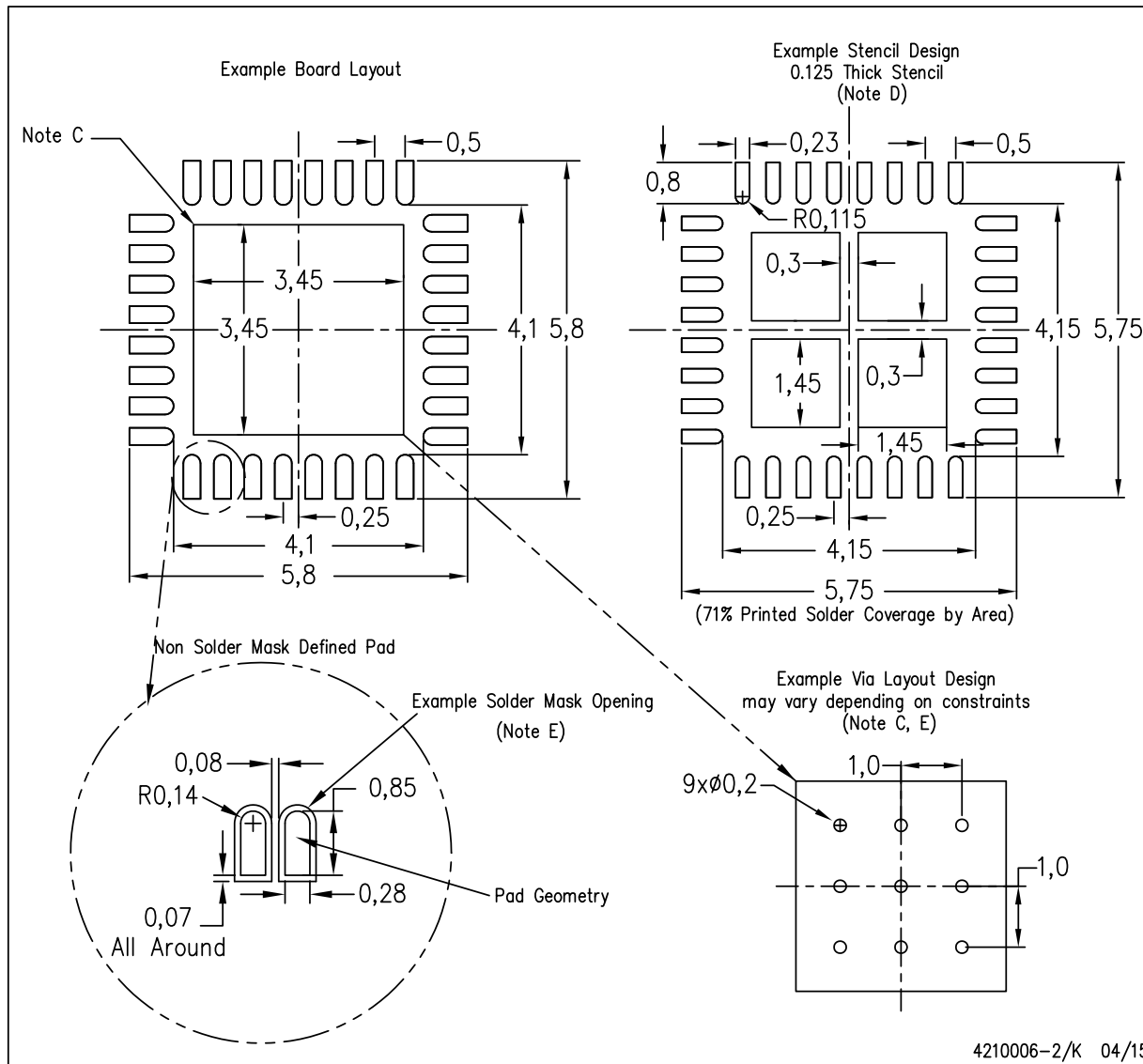
4206250-2/Q 05/15

NOTE: All linear dimensions are in millimeters

LAND PATTERN DATA

RTV (S–PWQFN–N32)

PLASTIC QUAD FLATPACK NO–LEAD



- NOTES:
- A. All linear dimensions are in millimeters.
 - B. This drawing is subject to change without notice.
 - C. This package is designed to be soldered to a thermal pad on the board. Refer to Application Note, Quad Flat–Pack Packages, Texas Instruments Literature No. SCBA017, SLUA271, and also the Product Data Sheets for specific thermal information, via requirements, and recommended board layout. These documents are available at www.ti.com <http://www.ti.com>.
 - D. Laser cutting apertures with trapezoidal walls and also rounding corners will offer better paste release. Customers should contact their board assembly site for stencil design recommendations. Refer to IPC 7525 for stencil design considerations.
 - E. Customers should contact their board fabrication site for recommended solder mask tolerances and via tenting recommendations for vias placed in the thermal pad.

PACKAGING INFORMATION

Orderable Device	Status (1)	Package Type	Package Drawing	Pins	Package Qty	Eco Plan (2)	Lead finish/ Ball material (6)	MSL Peak Temp (3)	Op Temp (°C)	Device Marking (4/5)	Samples
LMH1228RTVR	ACTIVE	WQFN	RTV	32	1000	RoHS & Green	NIPDAU	Level-1-260C-UNLIM	-40 to 85	L1228	Samples
LMH1228RTVT	ACTIVE	WQFN	RTV	32	250	RoHS & Green	NIPDAU	Level-1-260C-UNLIM	-40 to 85	L1228	Samples

(1) The marketing status values are defined as follows:

ACTIVE: Product device recommended for new designs.

LIFEBUY: TI has announced that the device will be discontinued, and a lifetime-buy period is in effect.

NRND: Not recommended for new designs. Device is in production to support existing customers, but TI does not recommend using this part in a new design.

PREVIEW: Device has been announced but is not in production. Samples may or may not be available.

OBSOLETE: TI has discontinued the production of the device.

(2) **RoHS:** TI defines "RoHS" to mean semiconductor products that are compliant with the current EU RoHS requirements for all 10 RoHS substances, including the requirement that RoHS substance do not exceed 0.1% by weight in homogeneous materials. Where designed to be soldered at high temperatures, "RoHS" products are suitable for use in specified lead-free processes. TI may reference these types of products as "Pb-Free".

RoHS Exempt: TI defines "RoHS Exempt" to mean products that contain lead but are compliant with EU RoHS pursuant to a specific EU RoHS exemption.

Green: TI defines "Green" to mean the content of Chlorine (Cl) and Bromine (Br) based flame retardants meet JS709B low halogen requirements of <=1000ppm threshold. Antimony trioxide based flame retardants must also meet the <=1000ppm threshold requirement.

(3) MSL, Peak Temp. - The Moisture Sensitivity Level rating according to the JEDEC industry standard classifications, and peak solder temperature.

(4) There may be additional marking, which relates to the logo, the lot trace code information, or the environmental category on the device.

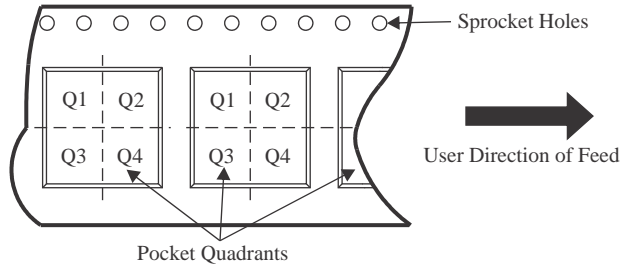
(5) Multiple Device Markings will be inside parentheses. Only one Device Marking contained in parentheses and separated by a "~" will appear on a device. If a line is indented then it is a continuation of the previous line and the two combined represent the entire Device Marking for that device.

(6) Lead finish/Ball material - Orderable Devices may have multiple material finish options. Finish options are separated by a vertical ruled line. Lead finish/Ball material values may wrap to two lines if the finish value exceeds the maximum column width.

Important Information and Disclaimer:The information provided on this page represents TI's knowledge and belief as of the date that it is provided. TI bases its knowledge and belief on information provided by third parties, and makes no representation or warranty as to the accuracy of such information. Efforts are underway to better integrate information from third parties. TI has taken and continues to take reasonable steps to provide representative and accurate information but may not have conducted destructive testing or chemical analysis on incoming materials and chemicals. TI and TI suppliers consider certain information to be proprietary, and thus CAS numbers and other limited information may not be available for release.

In no event shall TI's liability arising out of such information exceed the total purchase price of the TI part(s) at issue in this document sold by TI to Customer on an annual basis.

TAPE AND REEL INFORMATION

QUADRANT ASSIGNMENTS FOR PIN 1 ORIENTATION IN TAPE


*All dimensions are nominal

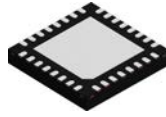
Device	Package Type	Package Drawing	Pins	SPQ	Reel Diameter (mm)	Reel Width W1 (mm)	A0 (mm)	B0 (mm)	K0 (mm)	P1 (mm)	W (mm)	Pin1 Quadrant
LMH1228RTVR	WQFN	RTV	32	1000	180.0	12.4	5.3	5.3	1.1	8.0	12.0	Q2
LMH1228RTVT	WQFN	RTV	32	250	180.0	12.4	5.3	5.3	1.1	8.0	12.0	Q2

TAPE AND REEL BOX DIMENSIONS


*All dimensions are nominal

Device	Package Type	Package Drawing	Pins	SPQ	Length (mm)	Width (mm)	Height (mm)
LMH1228RTVR	WQFN	RTV	32	1000	182.0	182.0	20.0
LMH1228RTVT	WQFN	RTV	32	250	182.0	182.0	20.0

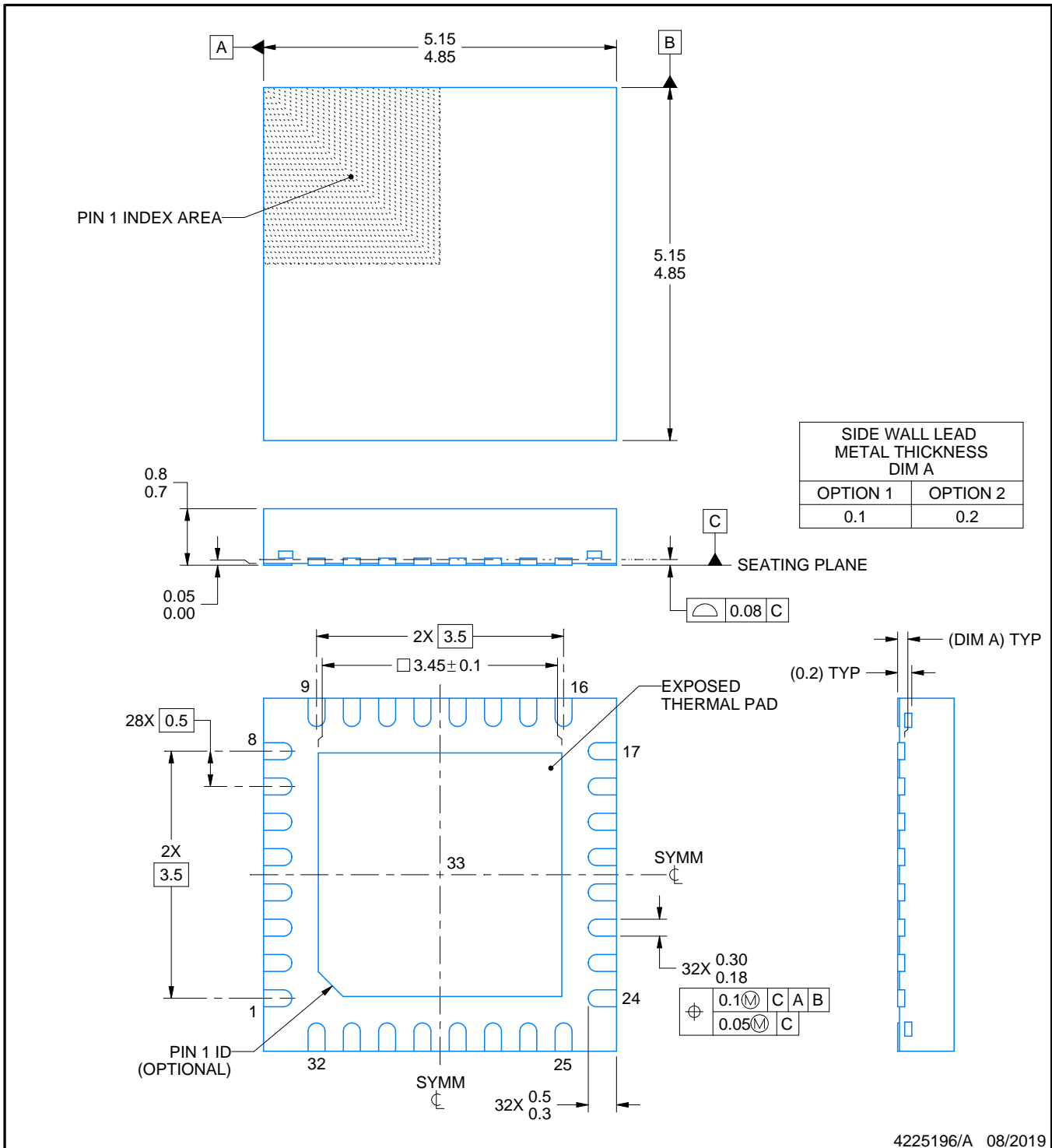
RTV0032E



PACKAGE OUTLINE

WQFN - 0.8 mm max height

PLASTIC QUAD FLATPACK - NO LEAD



4225196/A 08/2019

NOTES:

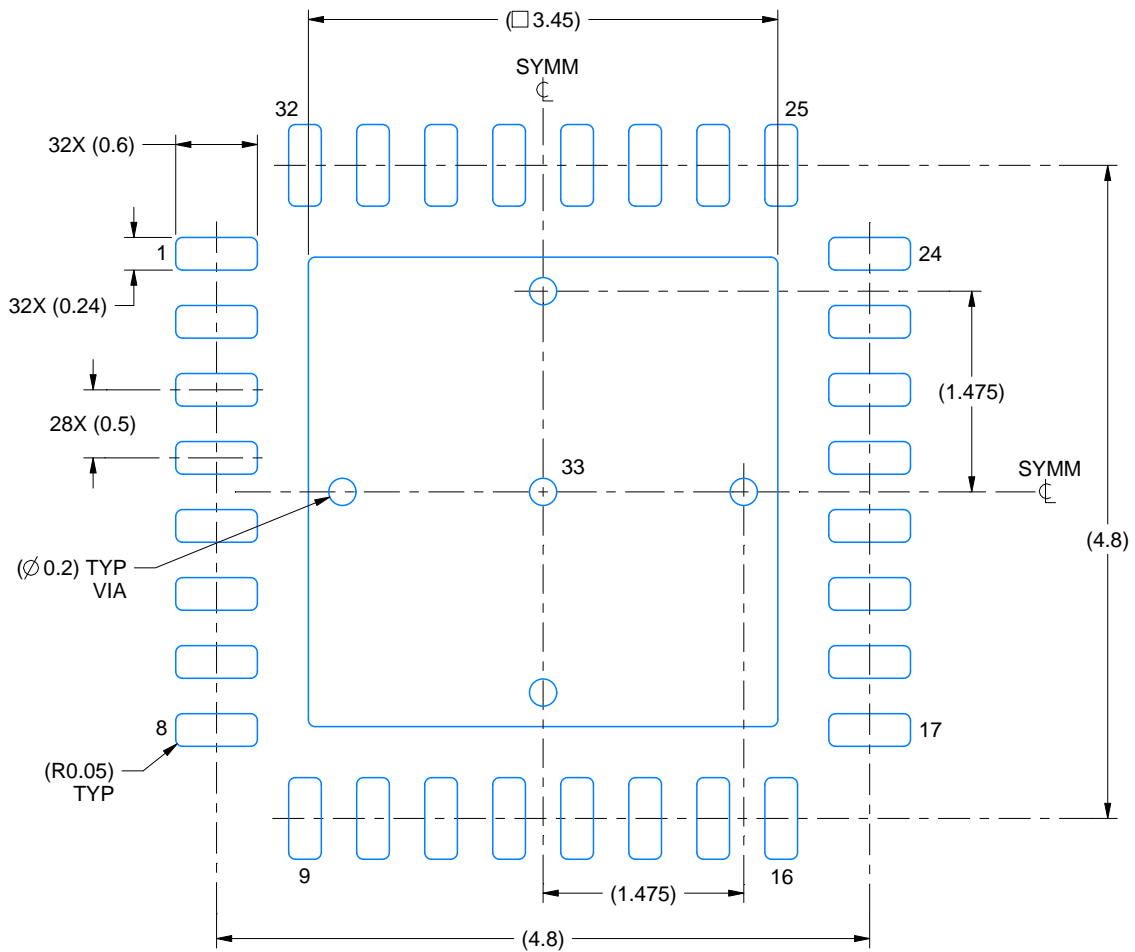
1. All linear dimensions are in millimeters. Any dimensions in parenthesis are for reference only. Dimensioning and tolerancing per ASME Y14.5M.
2. This drawing is subject to change without notice.
3. The package thermal pad must be soldered to the printed circuit board for thermal and mechanical performance.

EXAMPLE BOARD LAYOUT

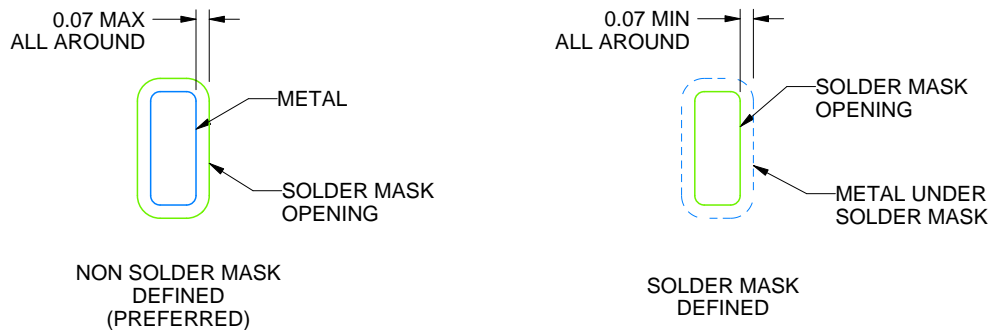
RTV0032E

WQFN - 0.8 mm max height

PLASTIC QUAD FLATPACK - NO LEAD



LAND PATTERN EXAMPLE
SCALE:18X



SOLDER MASK DETAILS

4225196/A 08/2019

NOTES: (continued)

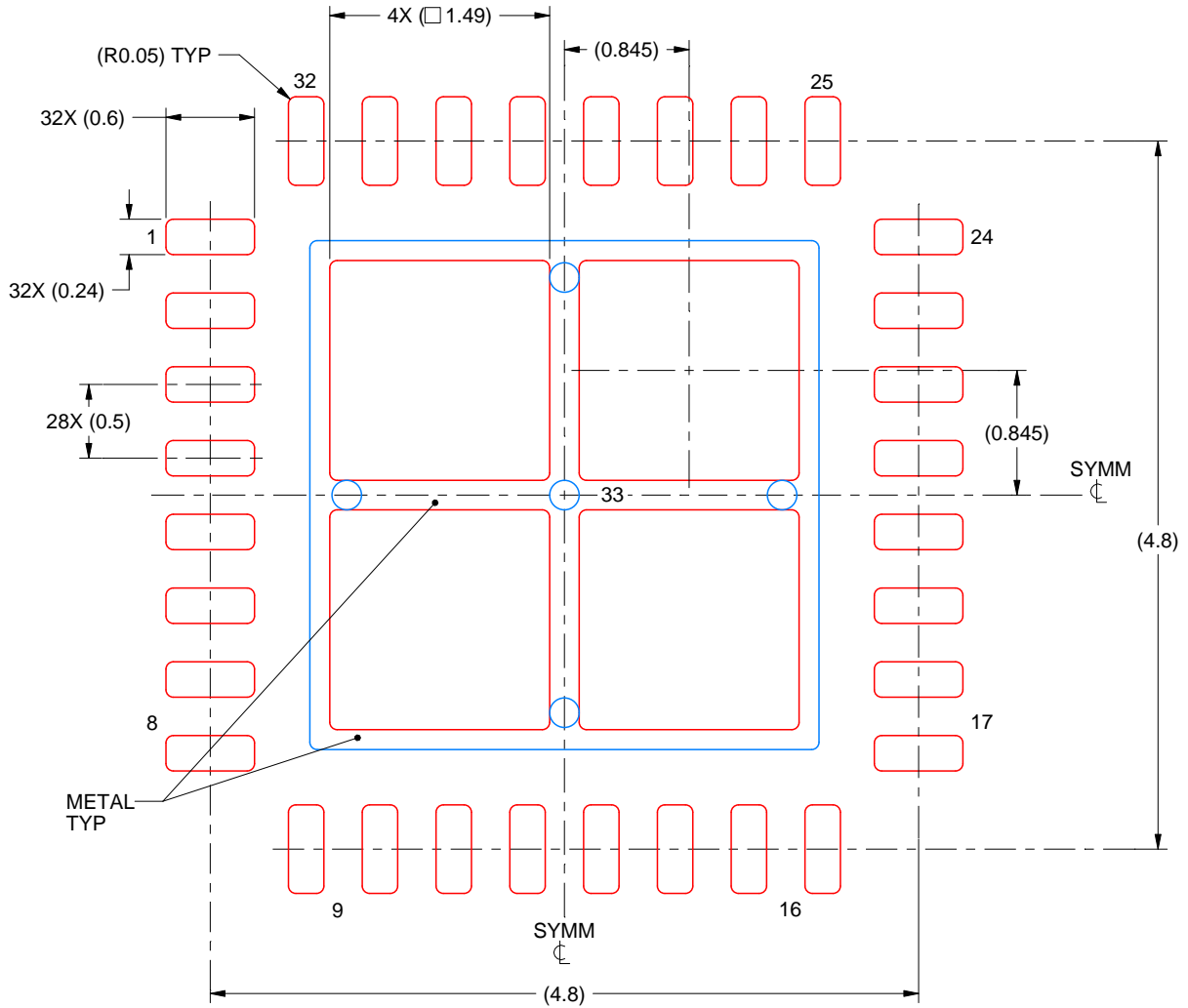
4. This package is designed to be soldered to a thermal pad on the board. For more information, see Texas Instruments literature number SLUA271 (www.ti.com/lit/slua271).
5. Vias are optional depending on application, refer to device data sheet. If any vias are implemented, refer to their locations shown on this view. It is recommended that vias under paste be filled, plugged or tented.

EXAMPLE STENCIL DESIGN

RTV0032E

WQFN - 0.8 mm max height

PLASTIC QUAD FLATPACK - NO LEAD



SOLDER PASTE EXAMPLE
 BASED ON 0.125 mm THICK STENCIL

EXPOSED PAD 33:
 75% PRINTED SOLDER COVERAGE BY AREA UNDER PACKAGE
 SCALE:20X

4225196/A 08/2019

NOTES: (continued)

6. Laser cutting apertures with trapezoidal walls and rounded corners may offer better paste release. IPC-7525 may have alternate design recommendations.

重要なお知らせと免責事項

TI は、技術データと信頼性データ (データシートを含みます)、設計リソース (リファレンス・デザインを含みます)、アプリケーションや設計に関する各種アドバイス、Web ツール、安全性情報、その他のリソースを、欠陥が存在する可能性のある「現状のまま」提供しており、商品性および特定目的に対する適合性の黙示保証、第三者の知的財産権の非侵害保証を含むいかなる保証も、明示的または黙示的にかかわらず拒否します。

これらのリソースは、TI 製品を使用する設計の経験を積んだ開発者への提供を意図したものです。(1) お客様のアプリケーションに適した TI 製品の選定、(2) お客様のアプリケーションの設計、検証、試験、(3) お客様のアプリケーションに該当する各種規格や、その他のあらゆる安全性、セキュリティ、規制、または他の要件への確実な適合に関する責任を、お客様のみが単独で負うものとし、

上記の各種リソースは、予告なく変更される可能性があります。これらのリソースは、リソースで説明されている TI 製品を使用するアプリケーションの開発の目的でのみ、TI はその使用をお客様に許諾します。これらのリソースに関して、他の目的で複製することや掲載することは禁止されています。TI や第三者の知的財産権のライセンスが付与されている訳ではありません。お客様は、これらのリソースを自身で使用した結果発生するあらゆる申し立て、損害、費用、損失、責任について、TI およびその代理人を完全に補償するものとし、TI は一切の責任を拒否します。

TI の製品は、[TI の販売条件](#)、または [ti.com](#) やかかる TI 製品の関連資料などのいずれかを通じて提供する適用可能な条項の下で提供されています。TI がこれらのリソースを提供することは、適用される TI の保証または他の保証の放棄の拡大や変更を意味するものではありません。

お客様がいかなる追加条項または代替条項を提案した場合でも、TI はそれらに異議を唱え、拒否します。

郵送先住所 : Texas Instruments, Post Office Box 655303, Dallas, Texas 75265
Copyright © 2024, Texas Instruments Incorporated