

PCA9548A リセット機能搭載、低電圧 8 チャネル I²C スイッチ

1 特長

- 1 対 8 の双方向変換スイッチ
- I²C バスおよび SMBus 互換
- アクティブ LOW のリセット入力
- 3 本のハードウェア・アドレス・ピンを使用し、I²C バスに最大 8 つの PCA9548A デバイスを接続可能
- I²C バスによるチャンネル選択
- 電源オン時は、すべてのスイッチ・チャンネルが選択解除された状態
- 低い R_{ON} のスイッチ
- 1.8V、2.5V、3.3V、5V の各電圧のバス間で電圧レベルを変換
- 電源オン時のグリッチなし
- 活線挿抜をサポート
- 低スタンバイ電流
- 2.3V~5.5V の動作電源電圧範囲
- 5V 許容の入力
- 0kHz~400kHz のクロック周波数
- JESD 78、Class II 準拠で 100mA 超のラッチアップ性能
- JESD 22 を超える ESD 保護
 - 2000V、人体モデル (A114-A)
 - 200V、マシン・モデル (A115-A)
 - 1000V、デバイス帯電モデル (C101)

2 アプリケーション

- サーバー
- ルーター (テレコム・スイッチング機器)
- ファクトリ・オートメーション
- I²C スレーブ・アドレス競合がある製品 (複数の同一温度センサなど)

3 概要

PCA9548A デバイスは、I²C バスで制御される 8 つの双方向変換スイッチを備えています。SCL/SDA 上流ペアが

8 つの下流ペア (チャンネル) に展開されます。プログラム可能な制御レジスタの設定により、任意の個別 SCx/SDx チャンネル、またはチャンネルの組み合わせを選択できます。これらのダウストリーム・チャンネルを使用して、I²C スレーブ・アドレスの競合を解決できます。たとえば、アプリケーションで 8 つの同じデジタル温度センサを必要とする場合、0~7 の各チャンネルにセンサを 1 つずつ接続できます。

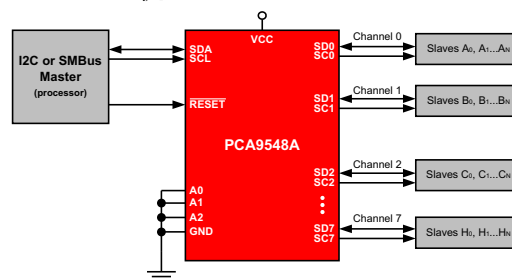
システム・マスタは、タイムアウトまたはその他の不適切な動作の場合、RESET 入力を LOW にアサートすることで PCA9548A をリセットできます。同様に、パワーオン・リセットではすべてのチャンネルが選択解除され、I²C/SMBus ステート・マシンが初期化されます。RESET をアサートすると、デバイスを電源オフせずに、同じリセットと初期化が行われます。これにより、ダウストリームの I²C バスが LOW 状態で停止した場合でも回復できます。

スイッチのパス・ゲートは、PCA9548A から印加される最大の HIGH 電圧を、V_{CC} ピンを使用して制限できるように構成されています。これにより、ペアごとに異なるバス電圧を使用できるため、1.8V、2.5V、3.3V のデバイスが、追加保護の必要なしに 5V のデバイスと通信できます。外付けのプルアップ抵抗により、各チャンネルに求められる電圧レベルにバスをプルアップします。すべての I/O ピンは 5V 許容です。

製品情報

型番	パッケージ ⁽¹⁾	本体サイズ (公称)
PCA9548A	SSOP (24)	8.20mm × 5.30mm
	TVSOP (24)	5.00mm × 4.40mm
	SOIC (24)	15.40mm × 7.50mm
	TSSOP (24)	7.80mm × 4.40mm
	VQFN (24)	4.00mm × 4.00mm

- (1) 利用可能なすべてのパッケージについては、このデータシートの末尾にある注文情報を参照してください。



概略回路図



Table of Contents

1 特長	1	8.4 Device Functional Modes.....	14
2 アプリケーション	1	8.5 Programming.....	14
3 概要	1	8.6 Register Maps.....	15
4 Revision History	2	9 Application Information Disclaimer	19
5 Pin Configuration and Functions	3	9.1 Application Information.....	19
6 Specifications	5	9.2 Typical Application.....	19
6.1 Absolute Maximum Ratings.....	5	10 Power Supply Recommendations	23
6.2 ESD Ratings.....	5	10.1 Power-On Reset Requirements.....	23
6.3 Recommended Operating Conditions.....	5	11 Layout	25
6.4 Thermal Information.....	5	11.1 Layout Guidelines.....	25
6.5 Electrical Characteristics.....	6	11.2 Layout Example.....	26
6.6 I ² C Interface Timing Requirements.....	7	12 Device and Documentation Support	27
6.7 Reset Timing Requirements.....	8	12.1 Related Documentation.....	27
6.8 Switching Characteristics.....	8	12.2 Receiving Notification of Documentation Updates..	27
6.9 Typical Characteristics.....	9	12.3 サポート・リソース.....	27
7 Parameter Measurement Information	10	12.4 Trademarks.....	27
8 Detailed Description	12	12.5 静電気放電に関する注意事項.....	27
8.1 Overview.....	12	12.6 用語集.....	27
8.2 Functional Block Diagram.....	13	13 Mechanical, Packaging, and Orderable Information	27
8.3 Feature Description.....	13		

4 Revision History

資料番号末尾の英字は改訂を表しています。その改訂履歴は英語版に準じています。

Changes from Revision F (April 2019) to Revision G (March 2021)	Page
• Changed the PW and RGE package values in the <i>Thermal Information</i>	5
• Changed the V _{PORR} row in the <i>Electrical Characteristics</i>	6
• Added V _{PORF} row to the <i>Electrical Characteristics</i>	6
• Changed the I _{CC} Low inputs and High inputs values in the <i>Electrical Characteristics</i>	6
• Changed the <i>Power Supply Recommendations</i>	23
Changes from Revision E (February 2015) to Revision F (April 2019)	Page
• 「 セクション 3 」セクションを更新.....	1
• Changed the <i>Pin Configuration</i> images.....	3
• Updated Pin Name for Pin 8 From: SC2 To: SD2 in the <i>Pin Functions</i> table.....	3
• Added the <i>Typical Characteristics</i> section.....	9
Changes from Revision D (June 2014) to Revision E (February 2015)	Page
• 先頭ページの画像を変更.....	1
• Added <i>Thermal Information</i>	5
• Changed Note ⁽²⁾ in the <i>Electrical Characteristics</i>	6
• Added <i>Layout Example</i>	26
Changes from Revision C (June 2007) to Revision D (June 2014)	Page
• Added RESET Errata section.....	14
• Updated Typical Application schematic.....	19

5 Pin Configuration and Functions

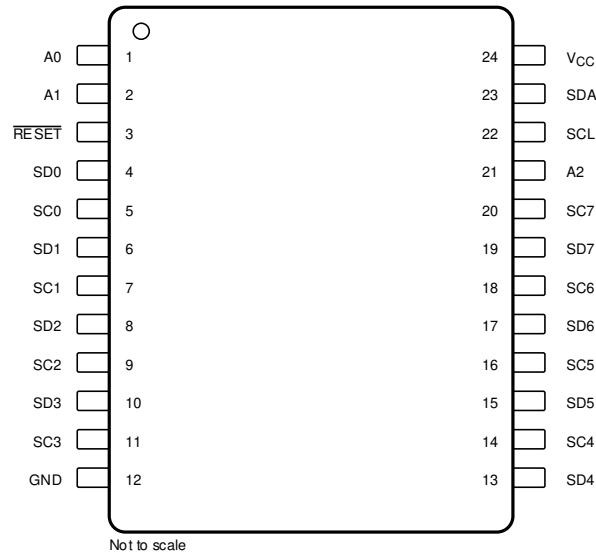


图 5-1. DB, DGV, DW or PW Package, 24-Pin SSOP, TVSOP, SOIC or TSSOP , Top View

表 5-1. Pin Functions

NAME	PIN		I/O	DESCRIPTION
	NO.	DB, DW, DGV, PW		
A0	1		I	Address input 0. Connect directly to V_{CC} or ground
A1	2		I	Address input 1. Connect directly to V_{CC} or ground
RESET	3		I	Active-low reset input. Connect to V_{CC} through a pull-up resistor, if not used
SD0	4		I/O	Serial data 0. Connect to V_{CC} through a pull-up resistor
SC0	5		I/O	Serial clock 0. Connect to V_{CC} through a pull-up resistor
SD1	6		I/O	Serial data 1. Connect to V_{CC} through a pull-up resistor
SC1	7		I/O	Serial clock 1. Connect to V_{CC} through a pull-up resistor
SD2	8		I/O	Serial data 2. Connect to V_{CC} through a pull-up resistor
SC2	9		I/O	Serial clock 2. Connect to V_{CC} through a pull-up resistor
SD3	10		I/O	Serial data 3. Connect to V_{CC} through a pull-up resistor
SC3	11		I/O	Serial clock 3. Connect to V_{CC} through a pull-up resistor
GND	12		—	Ground
SD4	13		I/O	Serial data 4. Connect to V_{CC} through a pull-up resistor
SC4	14		I/O	Serial clock 4. Connect to V_{CC} through a pull-up resistor
SD5	15		I/O	Serial data 5. Connect to V_{CC} through a pull-up resistor
SC5	16		I/O	Serial clock 5. Connect to V_{CC} through a pull-up resistor
SD6	17		I/O	Serial data 6. Connect to V_{CC} through a pull-up resistor
SC6	18		I/O	Serial clock 6. Connect to V_{CC} through a pull-up resistor
SD7	19		I/O	Serial data 7. Connect to V_{CC} through a pull-up resistor
SC7	20		I/O	Serial clock 7. Connect to V_{CC} through a pull-up resistor
A2	21		I	Address input 2. Connect directly to V_{CC} or ground
SCL	22		I/O	Serial clock bus. Connect to V_{CC} through a pull-up resistor
SDA	23		I/O	Serial data bus. Connect to V_{CC} through a pull-up resistor
V_{CC}	24		—	Supply voltage

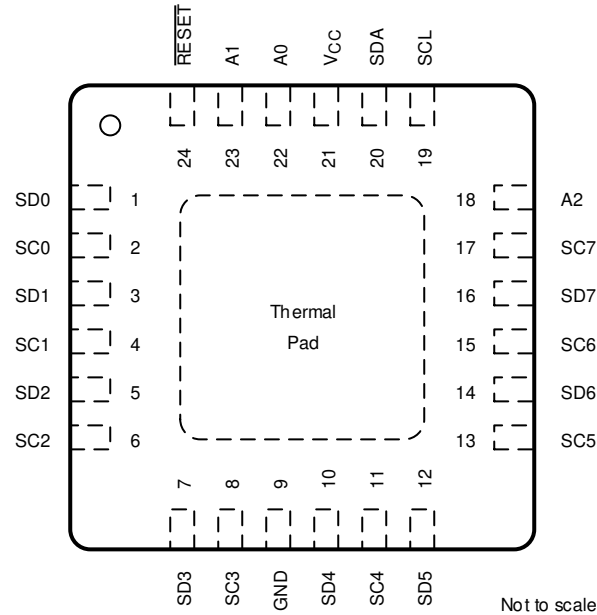


图 5-2. RGE Package, 24-Pin VQFN , Top View

表 5-2. Pin Functions, RGE

PIN		I/O	DESCRIPTION
NAME	NO.		
SD0	1	I/O	Serial data 0. Connect to V_{CC} through a pull-up resistor
SC0	2	I/O	Serial clock 0. Connect to V_{CC} through a pull-up resistor
SD1	3	I/O	Serial data 1. Connect to V_{CC} through a pull-up resistor
SC1	4	I/O	Serial clock 1. Connect to V_{CC} through a pull-up resistor
SD2	5	I/O	Serial data 2. Connect to V_{CC} through a pull-up resistor
SC2	6	I/O	Serial clock 2. Connect to V_{CC} through a pull-up resistor
SD3	7	I/O	Serial data 3. Connect to V_{CC} through a pull-up resistor
SC3	8	I/O	Serial clock 3. Connect to V_{CC} through a pull-up resistor
GND	9	—	Ground
SD4	10	I/O	Serial data 4. Connect to V_{CC} through a pull-up resistor
SC4	11	I/O	Serial clock 4. Connect to V_{CC} through a pull-up resistor
SD5	12	I/O	Serial data 5. Connect to V_{CC} through a pull-up resistor
SC5	13	I/O	Serial clock 5. Connect to V_{CC} through a pull-up resistor
SD6	14	I/O	Serial data 6. Connect to V_{CC} through a pull-up resistor
SC6	15	I/O	Serial clock 6. Connect to V_{CC} through a pull-up resistor
SD7	16	I/O	Serial data 7. Connect to V_{CC} through a pull-up resistor
SC7	17	I/O	Serial clock 7. Connect to V_{CC} through a pull-up resistor
A2	18	I	Address input 2. Connect directly to V_{CC} or ground
SCL	19	I/O	Serial clock bus. Connect to V_{CC} through a pull-up resistor
SDA	20	I/O	Serial data bus. Connect to V_{CC} through a pull-up resistor
V_{CC}	21	—	Supply voltage
A0	22	I	Address input 0. Connect directly to V_{CC} or ground
A1	23	I	Address input 1. Connect directly to V_{CC} or ground
RESET	24	I	Active-low reset input. Connect to V_{CC} through a pull-up resistor, if not used

6 Specifications

6.1 Absolute Maximum Ratings

over operating free-air temperature range (unless otherwise noted) ⁽¹⁾

		MIN	MAX	UNIT
V _{CC}	Supply voltage	-0.5	7	V
V _I	Input voltage ⁽²⁾	-0.5	7	V
I _I	Input current	-20	20	mA
I _O	Output current	-25	25	mA
I _{CC}	Supply current	-100	100	mA
T _{stg}	Storage temperature	-65	150	°C

- (1) Stresses beyond those listed under *Absolute Maximum Ratings* may cause permanent damage to the device. These are stress ratings only, which do not imply functional operation of the device at these or any other conditions beyond those indicated under *Recommended Operating Conditions*. Exposure to absolute-maximum-rated conditions for extended periods may affect device reliability.
- (2) The input negative-voltage and output voltage ratings may be exceeded if the input and output current ratings are observed.

6.2 ESD Ratings

		VALUE	UNIT
V _(ESD)	Electrostatic discharge	Human body model (HBM), per ANSI/ESDA/JEDEC JS-001 ⁽¹⁾	±2000
		Charged-device model (CDM), per JEDEC specification JESD22-C101 or ANSI/ESDA/JEDEC JS-002 ⁽²⁾	±1000

- (1) JEDEC document JEP155 states that 500-V HBM allows safe manufacturing with a standard ESD control process.
- (2) JEDEC document JEP157 states that 250-V CDM allows safe manufacturing with a standard ESD control process.

6.3 Recommended Operating Conditions

See ⁽¹⁾

			MIN	MAX	UNIT
V _{CC}	Supply voltage		2.3	5.5	V
V _{IH}	High-level input voltage	SCL, SDA	0.7 × V _{CC}	6	V
		A2–A0, RESET	0.7 × V _{CC}	V _{CC} + 0.5	
V _{IL}	Low-level input voltage	SCL, SDA	-0.5	0.3 × V _{CC}	V
		A2–A0, RESET	-0.5	0.3 × V _{CC}	
T _A	Operating free-air temperature		-40	85	°C

- (1) All unused control inputs of the device must be held at V_{CC} or GND to ensure proper device operation. See the [Implications of Slow or Floating CMOS Inputs](#) application report.

6.4 Thermal Information

THERMAL METRIC ⁽¹⁾	PCA9548A					UNIT	
	DB (SSOP)	DGV (TVSOP)	DW (SOIC)	PW (TSSOP)	RGE (VQFN)		
	24 PINS						
R _{θJA}	Junction-to-ambient thermal resistance	89.1	99.6	73.2	108.8	57.2	°C/W
R _{θJC(top)}	Junction-to-case (top) thermal resistance	51.1	31.1	41.3	54.1	62.5	°C/W
R _{θJB}	Junction-to-board thermal resistance	46.6	53.1	42.9	62.7	34.4	°C/W
ψ _{JT}	Junction-to-top characterization parameter	18.5	0.9	15.3	10.9	3.8	°C/W
ψ _{JB}	Junction-to-board characterization parameter	46.3	52.6	42.6	62.3	34.4	°C/W
R _{θJC(bot)}	Junction-to-case (bottom) thermal resistance	N/A	N/A	N/A	N/A	15.5	°C/W

- (1) For more information about traditional and new thermal metrics, see the [Semiconductor and IC Package Thermal Metrics](#) application report.

6.5 Electrical Characteristics

$V_{CC} = 2.3\text{ V to }3.6\text{ V}$, over recommended operating free-air temperature range (unless otherwise noted)

PARAMETER		TEST CONDITIONS	V_{CC}	MIN	TYP ⁽¹⁾	MAX	UNIT	
V_{PORR}	Power-on reset voltage, V_{CC} rising	No load, $V_I = V_{CC}$ or GND			1.2	1.5	V	
V_{PORF}	Power-on reset voltage, V_{CC} falling ⁽²⁾	No load, $V_I = V_{CC}$ or GND		0.8	1		V	
$V_{O(SW)}$	Switch output voltage	$V_{I(SW)} = V_{CC}$, $I_{SWout} = -100\ \mu\text{A}$	5 V		3.6		V	
			4.5 V to 5.5 V	2.6		4.5		
			3.3 V		1.9			
			3 V to 3.6 V	1.6		2.8		
			2.5 V		1.5			
			2.3 V to 2.7 V	1.1		2		
I_{OL}	SDA	$V_{OL} = 0.4\text{ V}$	2.3 V to 5.5 V	3		6	mA	
		$V_{OL} = 0.6\text{ V}$		6		9		
I_I	SCL, SDA	$V_I = V_{CC}$ or GND	2.3 V to 5.5 V	-1		1	μA	
	SC7–SC0, SD7–SD0			-1		1		
	A2–A0			-1		1		
	RESET			-1		1		
I_{CC}	Operating mode	$f_{SCL} = 400\text{ kHz}$	$V_I = V_{CC}$ or GND, $I_O = 0$	5.5 V		50	80	μA
				3.6 V		20	35	
				2.7 V		11	20	
		$f_{SCL} = 100\text{ kHz}$		5.5 V		9	30	
				3.6 V		6	15	
				2.7 V		4	8	
	Standby mode	Low inputs	$V_I = \text{GND}$, $I_O = 0$	5.5 V		0.2	2	
				3.6 V		0.1	2	
				2.7 V		0.1	1	
		High inputs		5.5 V		0.2	2	
				3.6 V		0.1	2	
				2.7 V		0.1	1	
ΔI_{CC}	Supply-current change	SCL, SDA	2.3 V to 5.5 V		3	20	μA	
		SCL or SDA input at 0.6 V, Other inputs at V_{CC} or GND		SCL or SDA input at $V_{CC} - 0.6\text{ V}$, Other inputs at V_{CC} or GND		3		20
C_i	A2–A0	$V_I = V_{CC}$ or GND	2.3 V to 5.5 V		4	5	pF	
	RESET				4	5		
	SCL			$V_I = V_{CC}$ or GND, Switch OFF		20		28
$C_{io(off)}$ ⁽³⁾	SDA	$V_I = V_{CC}$ or GND, Switch OFF	2.3 V to 5.5 V		20	28	pF	
	SC7–SC0, SD7–SD0				5.5	7.5		
R_{ON}	Switch-on resistance	$V_O = 0.4\text{ V}$, $I_O = 15\text{ mA}$	4.5 V to 5.5 V	4	10	20	Ω	
		$V_O = 0.4\text{ V}$, $I_O = 15\text{ mA}$	3 V to 3.6 V	5	12	30		
		$V_O = 0.4\text{ V}$, $I_O = 10\text{ mA}$	2.3 V to 2.7 V	7	15	45		

(1) All typical values are at nominal supply voltage (2.5-, 3.3-, or 5-V V_{CC}), $T_A = 25^\circ\text{C}$.

(2) The power-on reset circuit resets the I²C bus logic with $V_{CC} < V_{PORF}$.

(3) $C_{io(ON)}$ depends on internal capacitance and external capacitance added to the SCn lines when channel(s) are ON.

6.6 I²C Interface Timing Requirements

over recommended operating free-air temperature range (unless otherwise noted) (see [7-1](#))

		MIN	MAX	UNIT
STANDARD MODE				
f _{scl}	I ² C clock frequency	0	100	kHz
t _{sch}	I ² C clock high time	4		μs
t _{scl}	I ² C clock low time	4.7		μs
t _{sp}	I ² C spike time		50	ns
t _{sds}	I ² C serial-data setup time	250		ns
t _{sdh}	I ² C serial-data hold time	0 ⁽¹⁾		μs
t _{icr}	I ² C input rise time		1000	ns
t _{icf}	I ² C input fall time		300	ns
t _{ocf}	I ² C output (SDn) fall time (10-pF to 400-pF bus)		300	ns
t _{buf}	I ² C bus free time between stop and start	4.7		μs
t _{sts}	I ² C start or repeated start condition setup	4.7		μs
t _{sth}	I ² C start or repeated start condition hold	4		μs
t _{sps}	I ² C stop condition setup	4		μs
t _{vdL(Data)}	Valid-data time (high to low) ⁽³⁾	SCL low to SDA output low valid		1 μs
t _{vdH(Data)}	Valid-data time (low to high) ⁽³⁾	SCL low to SDA output high valid		0.6 μs
t _{vd(ack)}	Valid-data time of ACK condition	ACK signal from SCL low to SDA output low		1 μs
C _b	I ² C bus capacitive load		400	pF
FAST MODE				
f _{scl}	I ² C clock frequency	0	400	kHz
t _{sch}	I ² C clock high time	0.6		μs
t _{scl}	I ² C clock low time	1.3		μs
t _{sp}	I ² C spike time		50	ns
t _{sds}	I ² C serial-data setup time	100		ns
t _{sdh}	I ² C serial-data hold time	0 ⁽¹⁾		μs
t _{icr}	I ² C input rise time	20 + 0.1C _b ⁽²⁾	300	ns
t _{icf}	I ² C input fall time	20 + 0.1C _b ⁽²⁾	300	ns
t _{ocf}	I ² C output (SDn) fall time (10-pF to 400-pF bus)	20 + 0.1C _b ⁽²⁾	300	ns
t _{buf}	I ² C bus free time between stop and start	1.3		μs
t _{sts}	I ² C start or repeated start condition setup	0.6		μs
t _{sth}	I ² C start or repeated start condition hold	0.6		μs
t _{sps}	I ² C stop condition setup	0.6		μs
t _{vdL(Data)}	Valid-data time (high to low) ⁽³⁾	SCL low to SDA output low valid		1 μs
t _{vdH(Data)}	Valid-data time (low to high) ⁽³⁾	SCL low to SDA output high valid		0.6 μs
t _{vd(ack)}	Valid-data time of ACK condition	ACK signal from SCL low to SDA output low		1 μs
C _b	I ² C bus capacitive load		400	pF

(1) A device internally must provide a hold time of at least 300 ns for the SDA signal (referred to the V_{IH} min of the SCL signal), to bridge the undefined region of the falling edge of SCL.

(2) C_b = total bus capacitance of one bus line in pF.

(3) Data taken using a 1-kΩ pull-up resistor and 50-pF load (see [7-2](#)).

6.7 Reset Timing Requirements

over recommended operating free-air temperature range (unless otherwise noted)

		MIN	MAX	UNIT
$t_{W(L)}$	Pulse duration, RESET low	6		ns
$t_{REC(STA)}$	Recovery time from RESET to start	0		ns

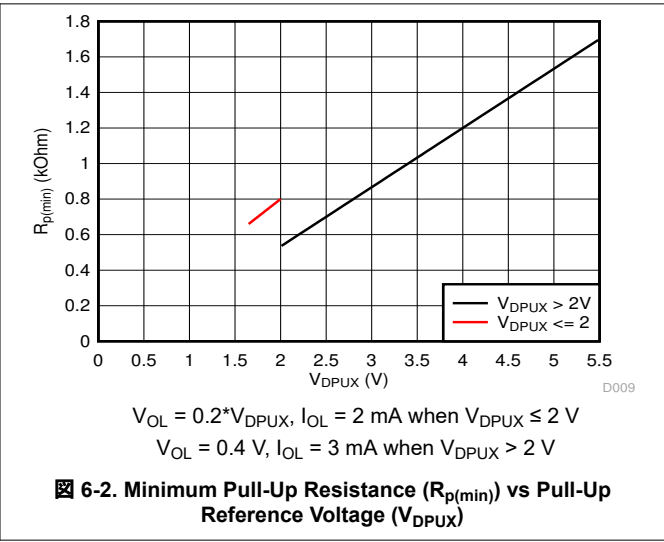
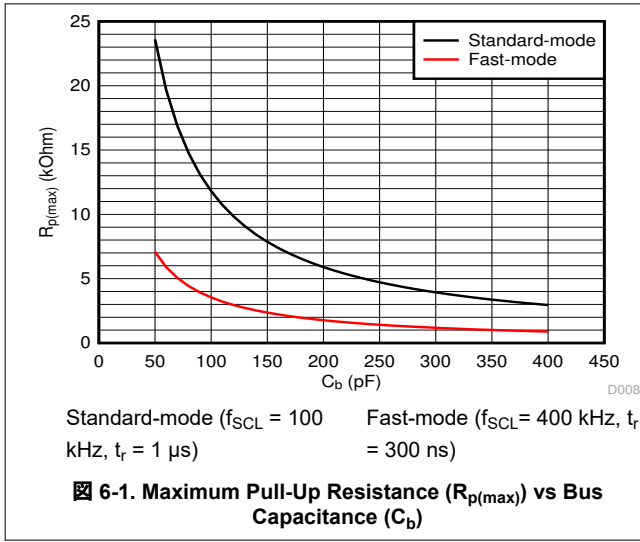
6.8 Switching Characteristics

over recommended operating free-air temperature range, $C_L \leq 100$ pF (unless otherwise noted) (see [Figure 7-1](#))

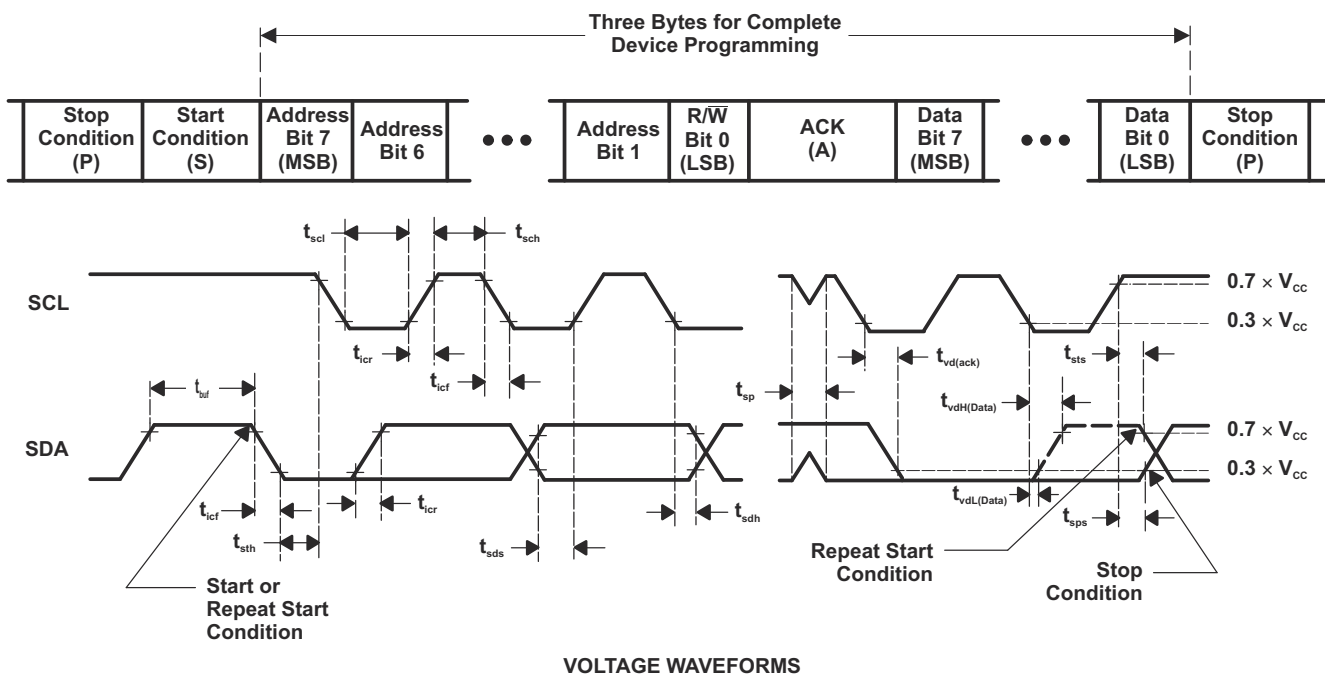
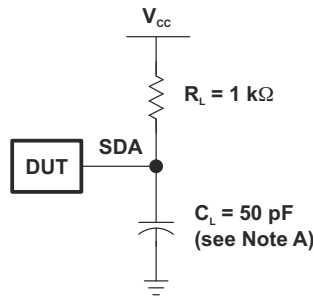
PARAMETER		FROM (INPUT)	TO (OUTPUT)	MIN	MAX	UNIT
$t_{pd}^{(1)}$	Propagation delay time	$R_{ON} = 20 \Omega$, $C_L = 15$ pF	SDA or SCL		0.3	ns
		$R_{ON} = 20 \Omega$, $C_L = 50$ pF	SDA or SCL		1	
$t_{rst}^{(2)}$	RESET time (SDA clear)	RESET	SDA		500	ns

- (1) The propagation delay is the calculated RC time constant of the typical ON-state resistance of the switch and the specified load capacitance, when driven by an ideal voltage source (zero output impedance).
- (2) t_{rst} is the propagation delay measured from the time the RESET pin is first asserted low to the time the SDA pin is asserted high, signaling a stop condition. It must be a minimum of t_{WL} .

6.9 Typical Characteristics



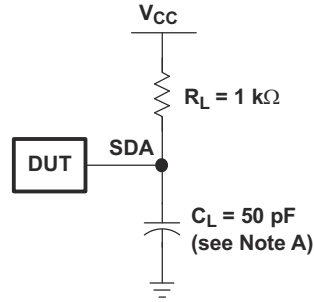
7 Parameter Measurement Information



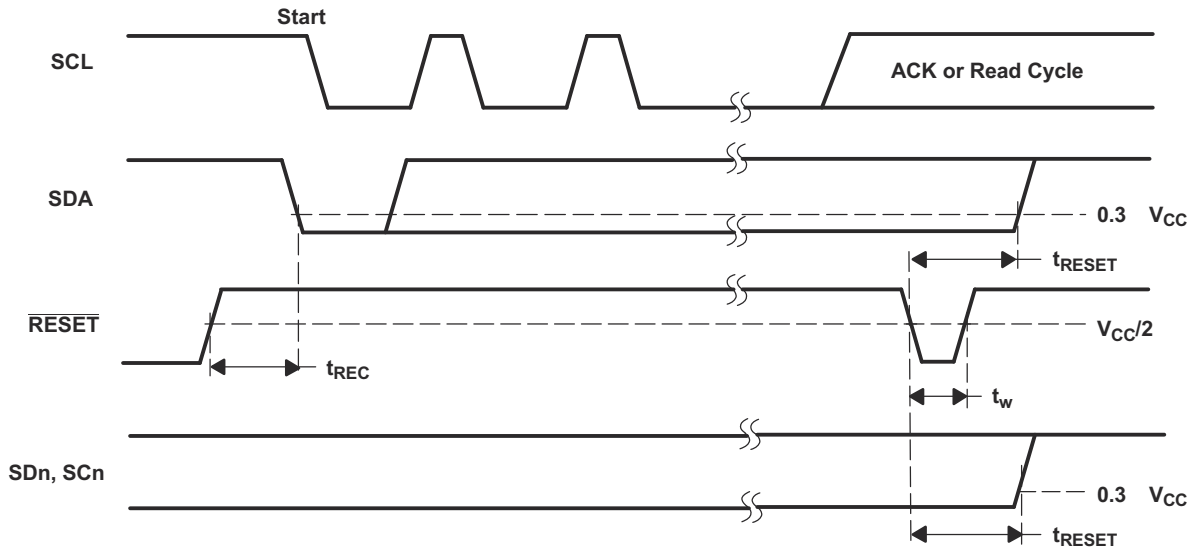
BYTE	DESCRIPTION
1	I ² C address
2, 3	P-port data

- A. C_L includes probe and jig capacitance.
- B. All inputs are supplied by generators having the following characteristics: $PRR \leq 10$ MHz, $Z_O = 50 \Omega$, $t_r/t_f \leq 30$ ns.
- C. Not all parameters and waveforms are applicable to all devices.

7-1. I²C Load Circuit and Voltage Waveforms



SDA LOAD CONFIGURATION



- A. C_L includes probe and jig capacitance.
- B. All inputs are supplied by generators having the following characteristics: $PRR \leq 10\text{ MHz}$, $Z_O = 50\ \Omega$, $t_r/t_f \leq 30\text{ ns}$.
- C. I/Os are configured as inputs.
- D. Not all parameters and waveforms are applicable to all devices.

7-2. Reset Load Circuit and Voltage Waveforms

8 Detailed Description

8.1 Overview

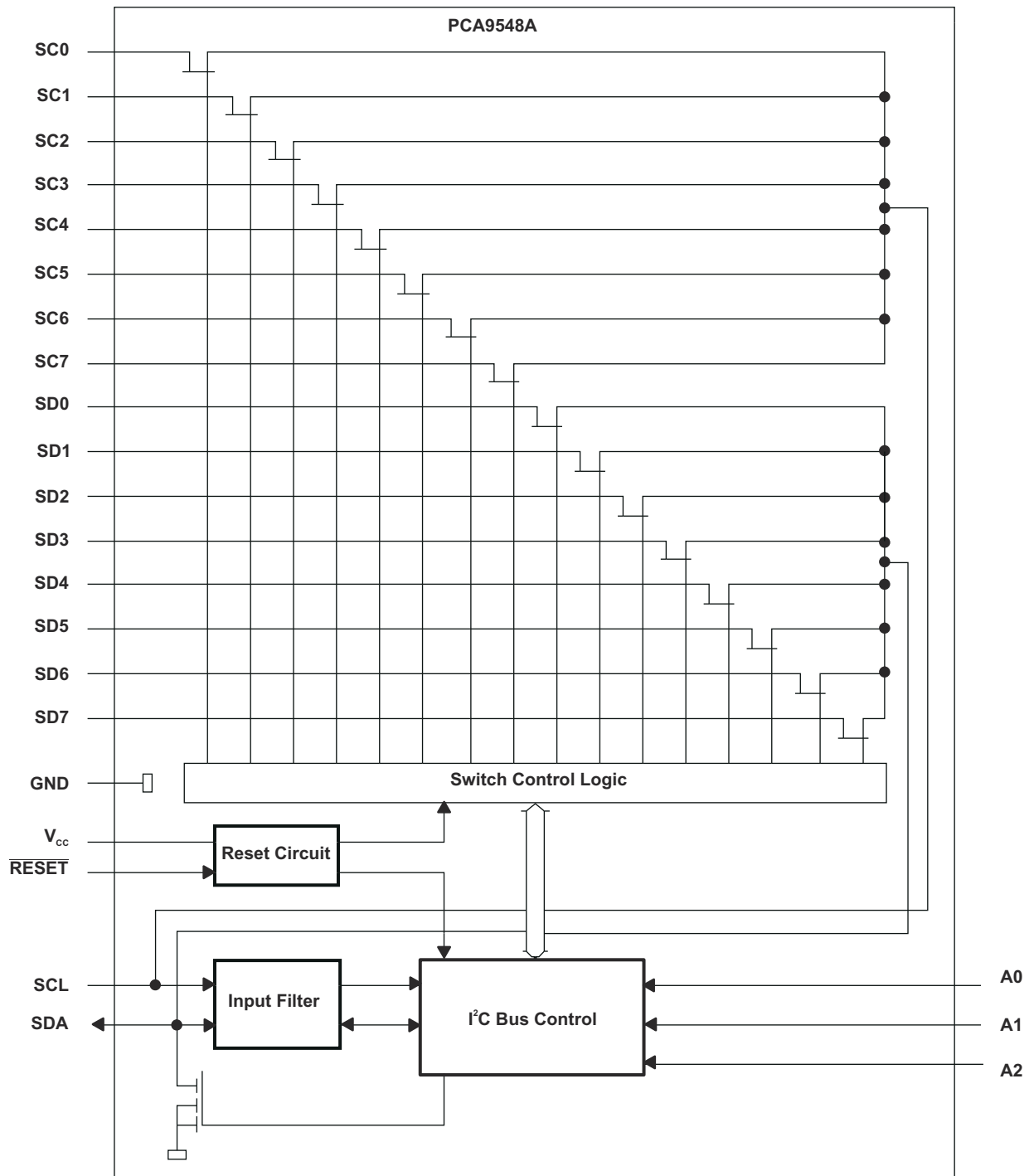
The PCA9548A is a 8-channel, bidirectional translating I²C switch. The master SCL/SDA signal pair is directed to eight channels of slave devices, SC0/SD0-SC3/SD3. Any individual downstream channel can be selected as well as any combination of the eight channels.

The device offers an active-low $\overline{\text{RESET}}$ input which resets the state machine and allows the PCA9548A to recover if one of the downstream I²C buses get stuck in a low state. The state machine of the device can also be reset by cycling the power supply, V_{CC} , also known as a power-on reset (POR). Both the $\overline{\text{RESET}}$ function and a POR cause all channels to be deselected.

The connections of the I²C data path are controlled by the same I²C master device that is switched to communicate with multiple I²C slaves. After the successful acknowledgment of the slave address (hardware selectable by A0 and A1 pins), a single 8-bit control register is written to or read from to determine the selected channels.

The PCA9548A may also be used for voltage translation, allowing the use of different bus voltages on each SCn/SDn pair such that 1.8-V, 2.5-V, or 3.3-V parts can communicate with 5-V parts. This is achieved by using external pull-up resistors to pull the bus up to the desired voltage for the master and each slave channel.

8.2 Functional Block Diagram



8.3 Feature Description

The PCA9548A is an 8-channel, bidirectional translating switch for I²C buses that supports Standard-Mode (100 kHz) and Fast-Mode (400 kHz) operation. The PCA9548A features I²C control using a single 8-bit control register in which each bit controls the enabling and disabling for one of the 8 switch channels of I²C data flow. Depending on the application, voltage translation of the I²C bus can also be achieved using the PCA9548A to allow 1.8-V, 2.5-V, or 3.3-V parts to communicate with 5-V parts. Additionally, in the event that communication on the I²C bus enters a fault state, the PCA9548A can be reset to resume normal operation using the RESET pin feature or by a power-on reset which results from cycling power to the device.

8.4 Device Functional Modes

8.4.1 RESET Input

The $\overline{\text{RESET}}$ input is an active-low signal that may be used to recover from a bus-fault condition. When this signal is asserted low for a minimum of t_{WL} , the PCA9548A resets its registers and I²C state machine and deselects all channels. The $\overline{\text{RESET}}$ input must be connected to V_{CC} through a pull-up resistor.

8.4.1.1 $\overline{\text{RESET}}$ Errata

If RESET voltage set higher than VCC, current flows from RESET pin to VCC pin.

8.4.1.1.1 System Impact

VCC is pulled above its regular voltage level.

8.4.1.1.2 System Workaround

Design such that $\overline{\text{RESET}}$ voltage is same or lower than VCC.

8.4.2 Power-On Reset

When power (from 0 V) is applied to V_{CC} , an internal power-on reset holds the PCA9548A in a reset condition until V_{CC} has reached V_{POR} . At that point, the reset condition is released and the PCA9548A registers and I²C state machine initialize to their default states. After that, V_{CC} must be lowered to below V_{POR} and then back up to the operating voltage for a power-reset cycle.

8.5 Programming

8.5.1 I²C Interface

The bidirectional I²C bus consists of the serial clock (SCL) and serial data (SDA) lines. Both lines must be connected to a positive supply through a pull-up resistor when connected to the output stages of a device. Data transfer may be initiated only when the bus is not busy.

I²C communication with this device is initiated by a master sending a start condition, a high-to-low transition on the SDA input/output while the SCL input is high (see [Figure 8-1](#)). After the start condition, the device address byte is sent, most significant bit (MSB) first, including the data direction bit (R/ \overline{W}).

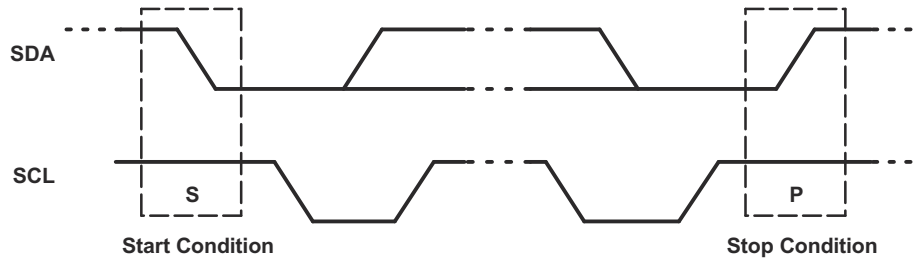
After receiving the valid address byte, this device responds with an acknowledge (ACK), a low on the SDA input/output during the high of the ACK-related clock pulse. The address inputs (A0–A2) of the slave device must not be changed between the start and the stop conditions.

On the I²C bus, only one data bit is transferred during each clock pulse. The data on the SDA line must remain stable during the high pulse of the clock period, as changes in the data line at this time are interpreted as control commands (start or stop) (see [Figure 8-2](#)).

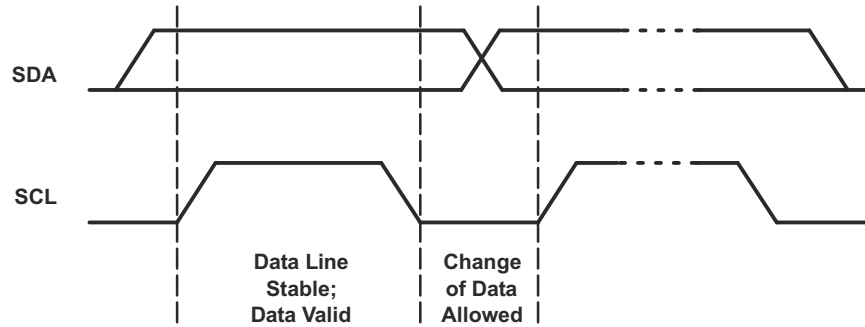
A stop condition, a low-to-high transition on the SDA input/output while the SCL input is high, is sent by the master (see [Figure 8-1](#)).

Any number of data bytes can be transferred from the transmitter to receiver between the start and the stop conditions. Each byte of eight bits is followed by one ACK bit. The transmitter must release the SDA line before the receiver can send an ACK bit. The device that acknowledges must pull down the SDA line during the ACK clock pulse so that the SDA line is stable low during the high pulse of the ACK-related clock period (see [Figure 8-3](#)). When a slave receiver is addressed, it must generate an ACK after each byte is received. Similarly, the master must generate an ACK after each byte that it receives from the slave transmitter. Setup and hold times must be met to ensure proper operation.

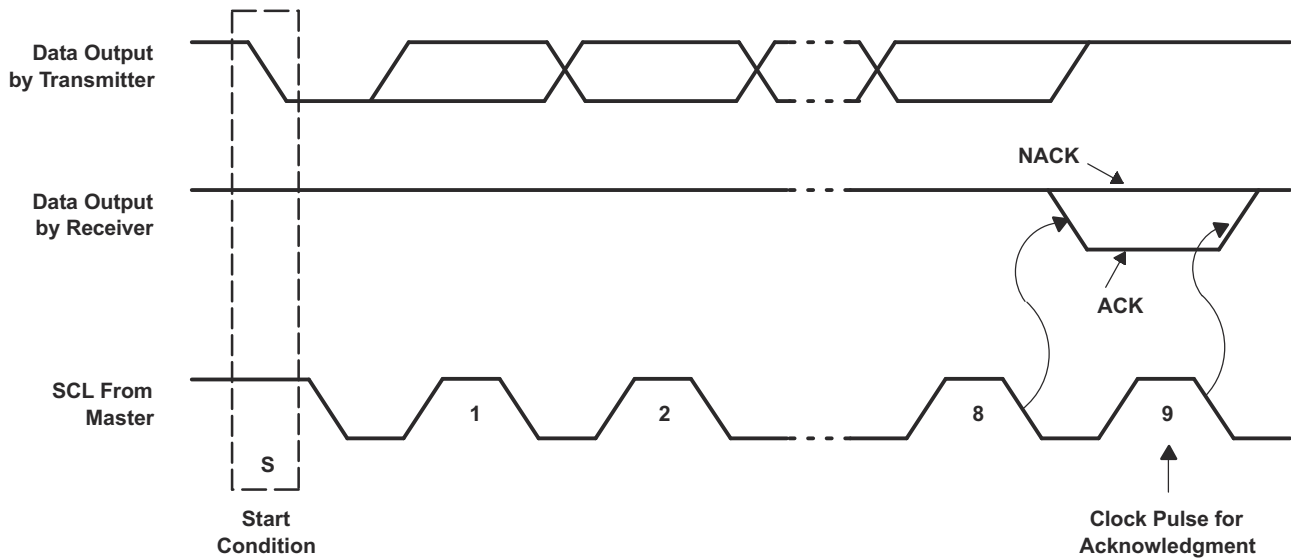
A master receiver signals an end of data to the slave transmitter by not generating an acknowledge (NACK) after the last byte has been clocked out of the slave. This is done by the master receiver by holding the SDA line high. In this event, the transmitter must release the data line to enable the master to generate a stop condition.



☒ 8-1. Definition of Start and Stop Conditions



☒ 8-2. Bit Transfer



☒ 8-3. Acknowledgment on I²C Bus

8.6 Register Maps

8.6.1 Device Address

☒ 8-4 shows the address byte of the PCA9548A.

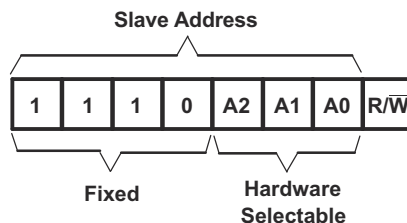


图 8-4. PCA9548A Address

The last bit of the slave address defines the operation (read or write) to be performed. When it is high (1), a read is selected, while a low (0) selects a write operation.

表 8-1 shows the PCA9548A address reference.

表 8-1. Address Reference

INPUTS			I ² C BUS SLAVE ADDRESS
A2	A1	A0	
L	L	L	112 (decimal), 70 (hexadecimal)
L	L	H	113 (decimal), 71 (hexadecimal)
L	H	L	114 (decimal), 72 (hexadecimal)
L	H	H	115 (decimal), 73 (hexadecimal)
H	L	L	116 (decimal), 74 (hexadecimal)
H	L	H	117 (decimal), 75 (hexadecimal)
H	H	L	118 (decimal), 76 (hexadecimal)
H	H	H	119 (decimal), 77 (hexadecimal)

8.6.2 Control Register

Following the successful acknowledgment of the address byte, the bus master sends a command byte that is stored in the control register in the PCA9548A (see 图 8-5). This register can be written and read via the I²C bus. Each bit in the command byte corresponds to a SC_n/SD_n channel and a high (or 1) selects this channel. Multiple SC_n/SD_n channels may be selected at the same time. When a channel is selected, the channel becomes active after a stop condition has been placed on the I²C bus. This ensures that all SC_n/SD_n lines are in a high state when the channel is made active, so that no false conditions are generated at the time of connection. A stop condition always must occur immediately after the acknowledge cycle. If multiple bytes are received by the PCA9548A, it saves the last byte received.

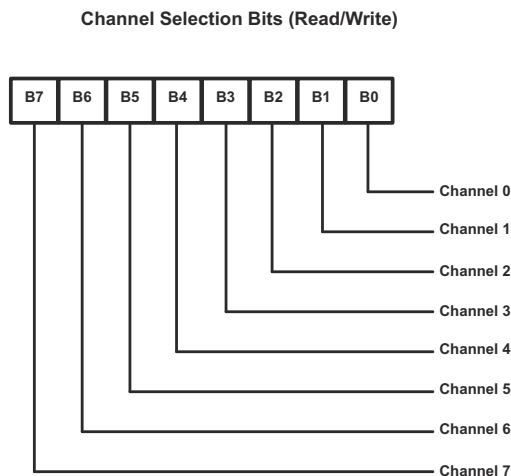


图 8-5. Control Register

表 8-2 shows the PCA9548A Command byte definition.

表 8-2. Command Byte Definition

CONTROL REGISTER BITS								COMMAND	
B7	B6	B5	B4	B3	B2	B1	B0		
X	X	X	X	X	X	X	0	Channel 0 disabled	
							1	Channel 0 enabled	
X	X	X	X	X	X	X	0	Channel 1 disabled	
							1	Channel 1 enabled	
X	X	X	X	X	X	X	0	Channel 2 disabled	
							1	Channel 2 enabled	
X	X	X	X	0	X	X	X	0	Channel 3 disabled
								1	Channel 3 enabled
X	X	X	0	X	X	X	X	0	Channel 4 disabled
								1	Channel 4 enabled
X	X	0	X	X	X	X	X	0	Channel 5 disabled
								1	Channel 5 enabled
X	0	X	X	X	X	X	X	0	Channel 6 disabled
								1	Channel 6 enabled
0	X	X	X	X	X	X	X	0	Channel 7 disabled
								1	Channel 7 enabled
0	0	0	0	0	0	0	0	No channel selected, power-up/reset default state	

8.6.3 Bus Transactions

Data is exchanged between the master and PCA9548A through write and read commands.

8.6.3.1 Writes

Data is transmitted to the PCA9548A by sending the device address and setting the least-significant bit (LSB) to a logic 0 (see [Figure 8-4](#) for device address). The command byte is sent after the address and determines which SCn/SDn channel receives the data that follows the command byte (see [Figure 8-6](#)). There is no limitation on the number of data bytes sent in one write transmission.

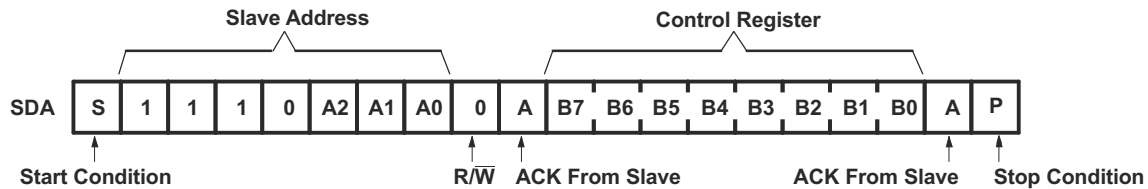


Figure 8-6. Write to Control Register

8.6.3.2 Reads

The bus master first must send the PCA9548A address with the LSB set to a logic 1 (see [Figure 8-4](#) for device address). The command byte is sent after the address and determines which SCn/SDn channel is accessed. After a restart, the device address is sent again, but this time, the LSB is set to a logic 1. Data from the SCn/SDn channel defined by the command byte then is sent by the PCA9548A (see [Figure 8-7](#)). After a restart, the value of the SCn/SDn channel defined by the command byte matches the SCn/SDn channel being accessed when the restart occurred. Data is clocked into the SCn/SDn channel on the rising edge of the ACK clock pulse. There is no limitation on the number of data bytes received in one read transmission, but when the final byte is received, the bus master must not acknowledge the data.

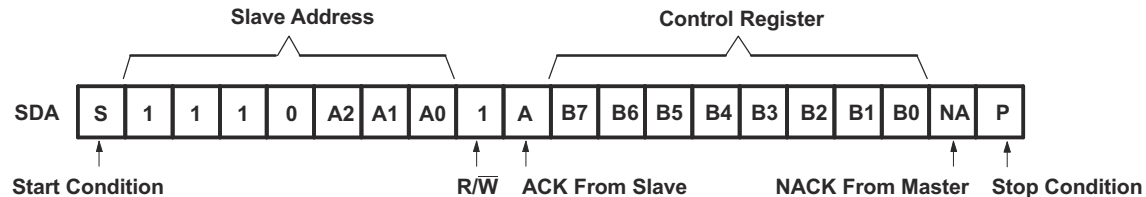


Figure 8-7. Read From Control Register

9 Application Information Disclaimer

Note

Information in the following applications sections is not part of the TI component specification, and TI does not warrant its accuracy or completeness. TI's customers are responsible for determining suitability of components for their purposes, as well as validating and testing their design implementation to confirm system functionality.

9.1 Application Information

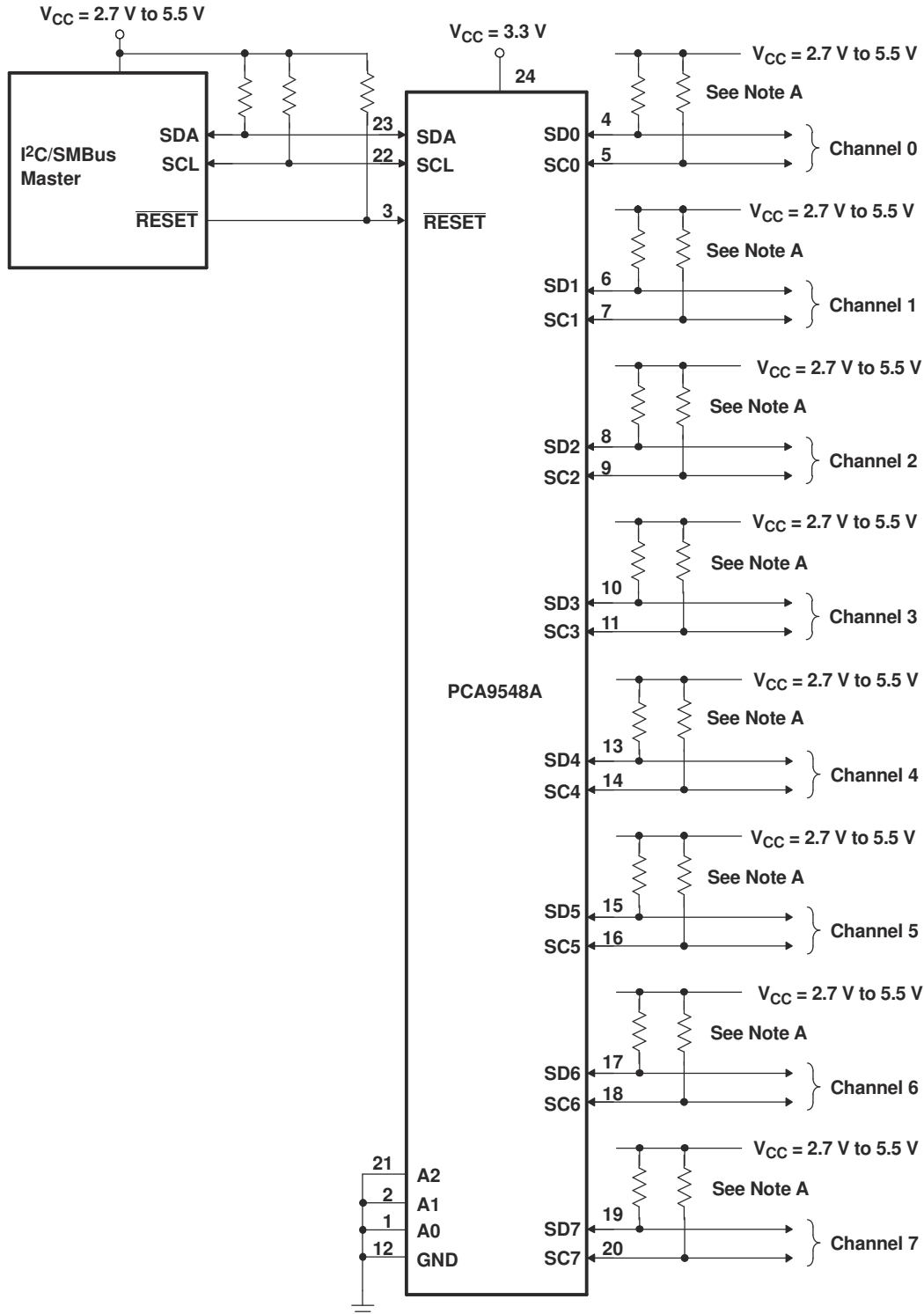
Applications of the PCA9548A contain an I²C (or SMBus) master device and up to eight I²C slave devices. The downstream channels are ideally used to resolve I²C slave address conflicts. For example, if eight identical digital temperature sensors are needed in the application, one sensor can be connected at each channel: 0, 1, 2, and 3. When the temperature at a specific location needs to be read, the appropriate channel can be enabled and all other channels switched off, the data can be retrieved, and the I²C master can move on and read the next channel.

In an application where the I²C bus contains many additional slave devices that do not result in I²C slave address conflicts, these slave devices can be connected to any desired channel to distribute the total bus capacitance across multiple channels. If multiple switches are enabled simultaneously, additional design requirements must be considered (See the [Design Requirements](#) and [Detailed Design Procedure](#) sections).

9.2 Typical Application

A typical application of the PCA9548A contains 1 or many separate data pull-up voltages, V_{CC}, one for the master device and one for each of the selectable slave channels, 0 through 7. In the event where the master device and all slave devices operate at the same voltage, then the VCC pin can be connected to this supply voltage. In an application where voltage translation is necessary, additional design requirements must be considered (See the [Design Requirements](#) section).

☒ [9-1](#) shows an application in which the PCA9548A can be used.



A. Pin numbers shown are for the PW and RTW packages.




9-1. PCA9548A Typical Application Schematic

9.2.1 Design Requirements

The A0, A1, and A2 pins are hardware selectable to control the slave address of the PCA9548A. These pins may be tied directly to GND or V_{CC} in the application.

If multiple slave channels are activated simultaneously in the application, then the total I_{OL} from SCL/SDA to GND on the master side is the sum of the currents through all pull-up resistors, R_p .

The pass-gate transistors of the PCA9548A are constructed such that the V_{CC} voltage can be used to limit the maximum voltage that is passed from one I²C bus to another.


9-2 shows the voltage characteristics of the pass-gate transistors (note that the graph was generated using data specified in the [Electrical Characteristics](#) section of this data sheet). In order for the PCA9548A to act as a voltage translator, the V_{pass} voltage must be equal to or lower than the lowest bus voltage. For example, if the main bus is running at 5 V and the downstream buses are 3.3 V and 2.7 V, V_{pass} must be equal to or below 2.7 V to effectively clamp the downstream bus voltages. As shown in  **9-2**, $V_{pass(max)}$ is 2.7 V when the PCA9548A supply voltage is 4 V or lower, so the PCA9548A supply voltage could be set to 3.3 V. Pull-up resistors then can be used to bring the bus voltages to their appropriate levels (see  **9-1**).

9.2.2 Detailed Design Procedure

Once all the slaves are assigned to the appropriate slave channels and bus voltages are identified, the pull-up resistors, R_p , for each of the buses need to be selected appropriately. The minimum pull-up resistance is a function of the reference voltage of the specific I²C channel (V_{DPUX}), $V_{OL(max)}$, and I_{OL} as shown in [式 1](#).

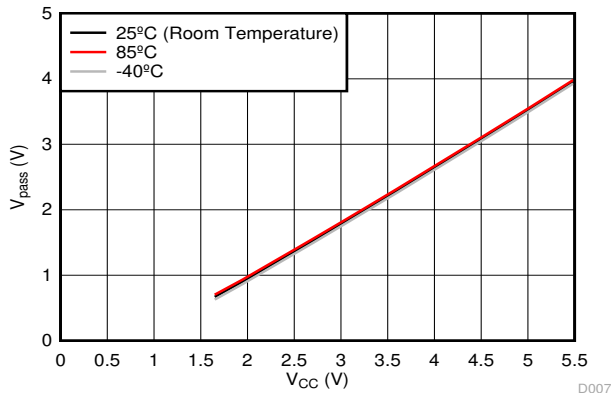
$$R_{p(min)} = \frac{V_{DPUX} - V_{OL(max)}}{I_{OL}} \quad (1)$$

The maximum pull-up resistance is a function of the maximum rise time, t_r (300 ns for fast-mode operation, $f_{SCL} = 400$ kHz) and bus capacitance, C_b is given by [式 2](#).

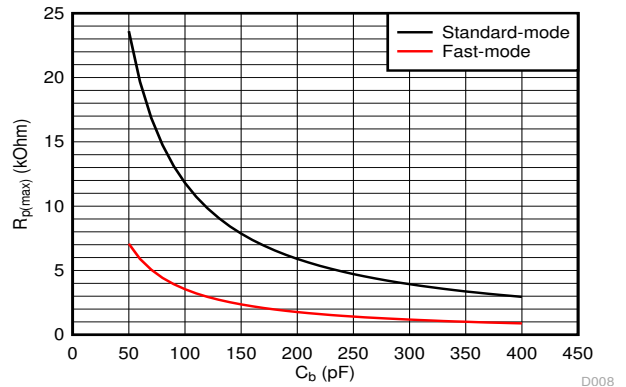
$$R_{p(max)} = \frac{t_r}{0.8473 \times C_b} \quad (2)$$

The maximum bus capacitance for an I²C bus must not exceed 400 pF for fast-mode operation. The bus capacitance can be approximated by adding the capacitance of the PCA9548A, $C_{iO(OFF)}$, the capacitance of wires, connections, traces, and the capacitance of each individual slave on a given channel. If multiple channels are activated simultaneously, each of the slaves on all channels contribute to total bus capacitance.

9.2.3 Application Curves

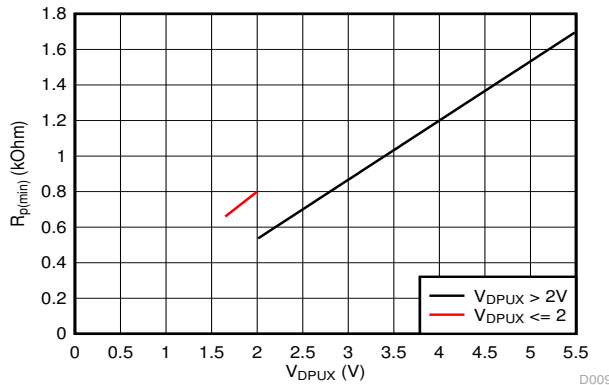


9-2. Pass-Gate Voltage (V_{pass}) vs Supply Voltage (V_{CC}) at Three Temperature Points



Standard-mode ($f_{SCL} = 100$ kHz, $t_r = 1$ μ s) Fast-mode ($f_{SCL} = 400$ kHz, $t_r = 300$ ns)

9-3. Maximum Pull-Up Resistance ($R_{p(max)}$) vs Bus Capacitance (C_b)



$V_{OL} = 0.2 \cdot V_{DPUX}$, $I_{OL} = 2$ mA when $V_{DPUX} \leq 2$ V

$V_{OL} = 0.4$ V, $I_{OL} = 3$ mA when $V_{DPUX} > 2$ V

9-4. Minimum Pullup Resistance ($R_{p(min)}$) vs Pullup Reference Voltage (V_{DPUX})

10 Power Supply Recommendations

10.1 Power-On Reset Requirements

In the event of a glitch or data corruption, PCA9548A can be reset to its default conditions by using the power-on reset feature. Power-on reset requires that the device go through a power cycle to be completely reset. This reset also happens when the device is powered on for the first time in an application.

The two types of power-on reset are shown in [Figure 10-1](#) and [Figure 10-2](#).

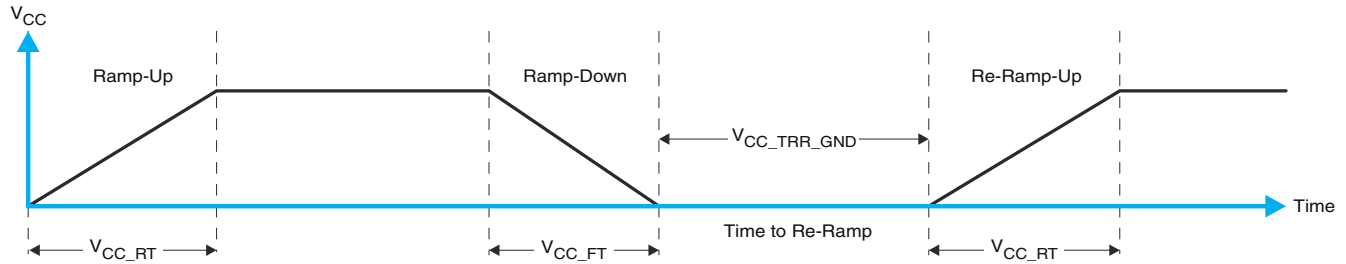


Figure 10-1. V_{CC} Is Lowered Below 0.2 V or 0 V and Then Ramped Up To V_{CC}

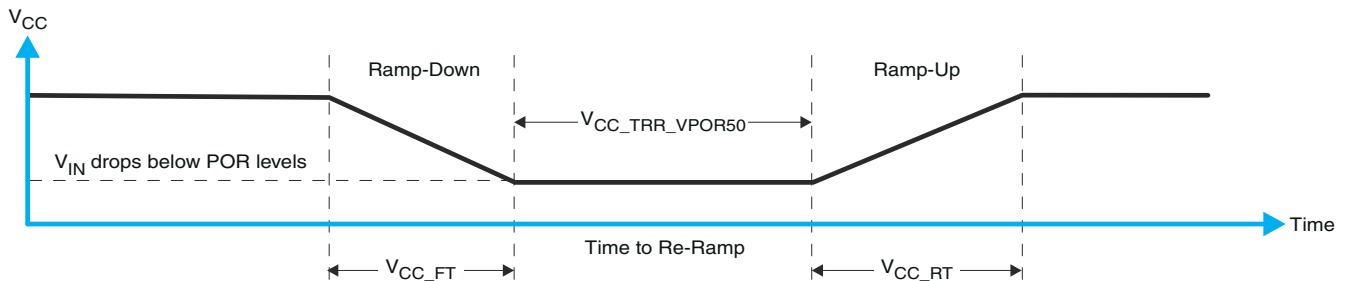


Figure 10-2. V_{CC} Is Lowered Below The Por Threshold, Then Ramped Back Up To V_{CC}

[Table 10-1](#) specifies the performance of the power-on reset feature for PCA9548A for both types of power-on reset.

Table 10-1. Recommended Supply Sequencing And Ramp Rates⁽¹⁾

PARAMETER			MIN	TYP	MAX	UNIT
V _{CC_FT}	Fall rate	See Figure 10-1	1		100	ms
V _{CC_RT}	Rise rate	See Figure 10-1	0.01		100	ms
V _{CC_TRR_GND}	Time to re-ramp (when V _{CC} drops to GND)	See Figure 10-1	0.001			ms
V _{CC_TRR_POR50}	Time to re-ramp (when V _{CC} drops to V _{POR_MIN} – 50 mV)	See Figure 10-2	0.001			ms
V _{CC_GH}	Level that V _{CCP} can glitch down to, but not cause a functional disruption when V _{CCX_GW} = 1 μs	See Figure 10-3			1.2	V
V _{CC_GW}	Glitch width that will not cause a functional disruption when V _{CCX_GH} = 0.5 × V _{CCx}	See Figure 10-3				μs
V _{PORF}	Voltage trip point of POR on falling V _{CC}		0.767		1.144	V
V _{PORR}	Voltage trip point of POR on rising V _{CC}		1.033		1.428	V

(1) T_A = –40°C to 85°C (unless otherwise noted)

Glitches in the power supply can also affect the power-on reset performance of this device. The glitch width (V_{CC_GW}) and height (V_{CC_GH}) are dependent on each other. The bypass capacitance, source impedance, and the device impedance are factors that affect power-on reset performance. [Figure 10-3](#) and [Table 10-1](#) provide more information on how to measure these specifications.

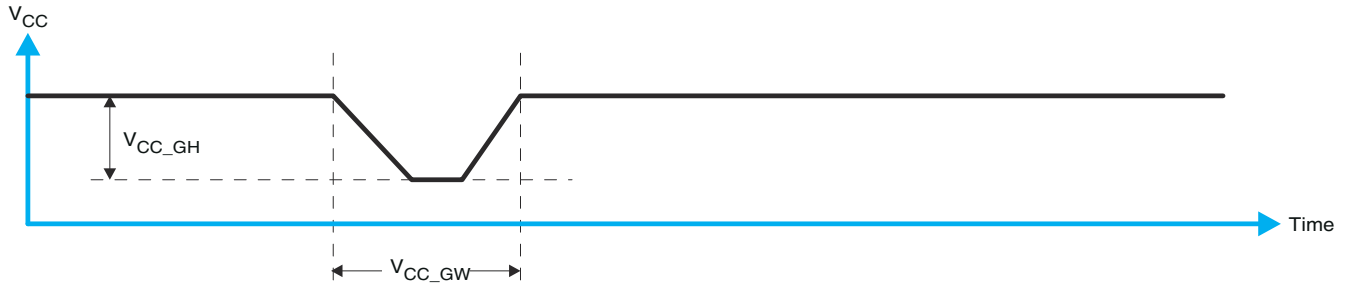


图 10-3. Glitch Width And Glitch Height

V_{POR} is critical to the power-on reset. V_{POR} is the voltage level at which the reset condition is released and all the registers and the I²C/SMBus state machine are initialized to their default states. The value of V_{POR} differs based on the V_{CC} being lowered to or from 0. 图 10-4 and 表 10-1 provide more details on this specification.

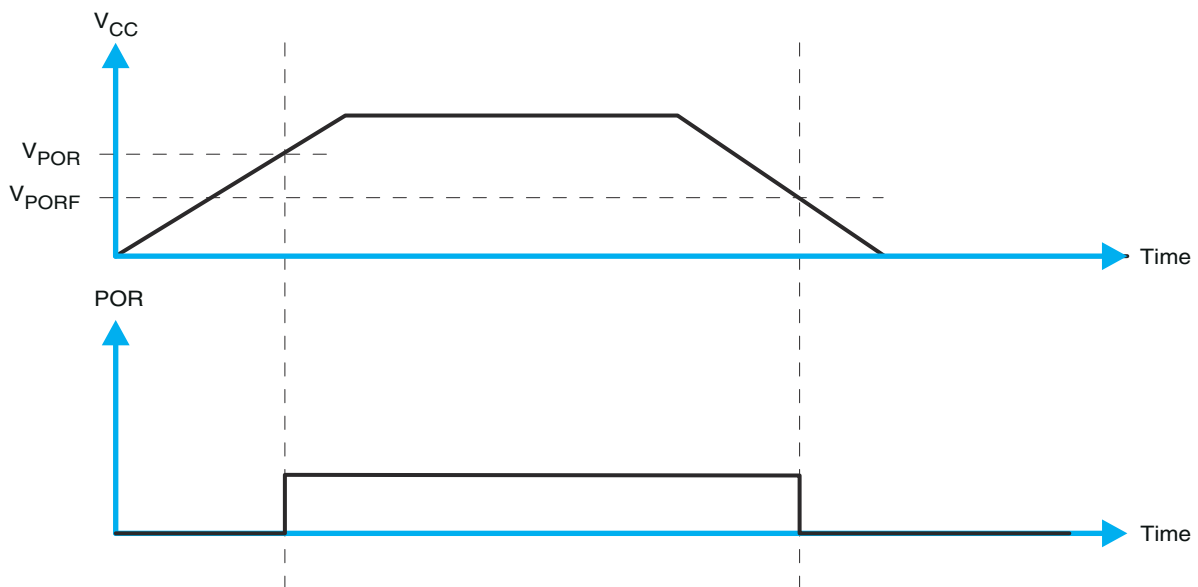


图 10-4. V_{POR}

11 Layout

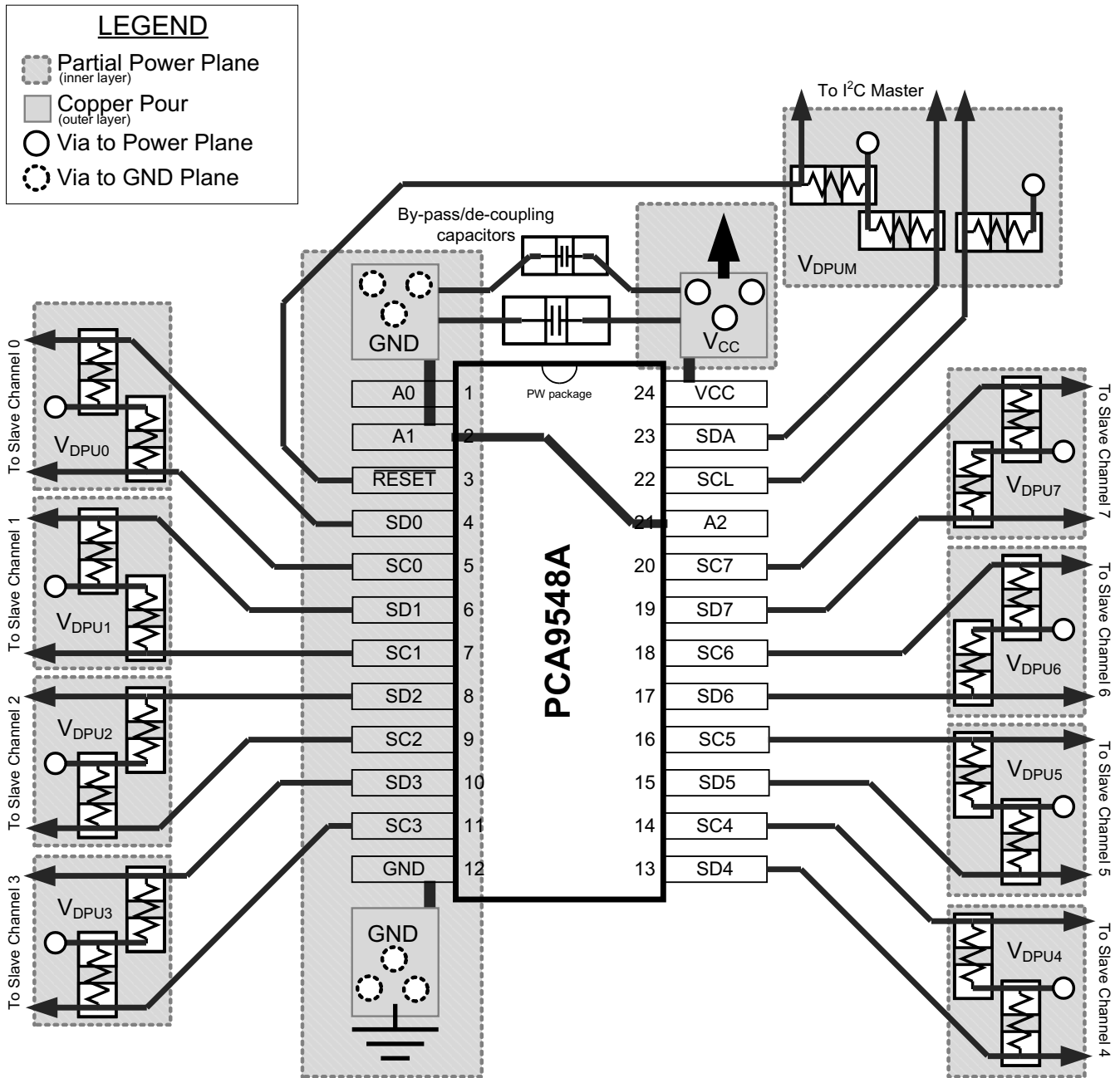
11.1 Layout Guidelines

For PCB layout of the PCA9548A, common PCB layout practices must be followed but additional concerns related to high-speed data transfer such as matched impedances and differential pairs are not a concern for I²C signal speeds. It is common to have a dedicated ground plane on an inner layer of the board and pins that are connected to ground must have a low-impedance path to the ground plane in the form of wide polygon pours and multiple vias. By-pass and de-coupling capacitors are commonly used to control the voltage on the VCC pin, using a larger capacitor to provide additional power in the event of a short power supply glitch and a smaller capacitor to filter out high-frequency ripple.

In an application where voltage translation is not required, all V_{DPUX} voltages and V_{CC} could be at the same potential and a single copper plane could connect all of pull-up resistors to the appropriate reference voltage. In an application where voltage translation is required, V_{DPU0} and V_{DPU0} – V_{DPU7} may all be on the same layer of the board with split planes to isolate different voltage potentials.

To reduce the total I²C bus capacitance added by PCB parasitics, data lines (SC_n and SD_n) must be as short as possible and the widths of the traces must also be minimized (For example, 5-10 mils depending on copper weight).

11.2 Layout Example



11-1. Layout Example

12 Device and Documentation Support

12.1 Related Documentation

For related documentation see the following:

- [I2C Bus Pull-Up Resistor Calculation](#)
- [Maximum Clock Frequency of I2C Bus Using Repeaters](#)
- [Introduction to Logic](#)
- [Understanding the I2C Bus](#)
- [Choosing the Correct I2C Device for New Designs](#)

12.2 Receiving Notification of Documentation Updates

To receive notification of documentation updates—including silicon errata—go to the product folder for your device on [ti.com](#). In the upper right-hand corner, click the *Alert me* button. This registers you to receive a weekly digest of product information that has changed (if any). For change details, check the revision history of any revised document.

12.3 サポート・リソース

TI E2E™ サポート・フォーラムは、検証済みの迅速な回答と設計支援をエンジニアがエキスパートから直接得るための頼れる情報源です。既存の回答を検索し、または新たに質問することで、必要とする設計支援を迅速に得ることができます。

リンクされているコンテンツは、該当する貢献者により、現状のまま提供されるものです。これらは TI の仕様を構成するものではなく、必ずしも TI の見解を反映したものではありません。TI の[使用条件](#)を参照してください。

12.4 Trademarks

TI E2E™ is a trademark of Texas Instruments.

すべての商標は、それぞれの所有者に帰属します。

12.5 静電気放電に関する注意事項



この IC は、ESD によって破損する可能性があります。テキサス・インスツルメンツは、IC を取り扱う際には常に適切な注意を払うことを推奨します。正しい ESD 対策をとらないと、デバイスを破損するおそれがあります。

ESD による破損は、わずかな性能低下からデバイスの完全な故障まで多岐にわたります。精密な IC の場合、パラメータがわずかに変化するだけで公表されている仕様から外れる可能性があるため、破損が発生しやすくなっています。

12.6 用語集

TI 用語集 この用語集には、用語や略語の一覧および定義が記載されています。

13 Mechanical, Packaging, and Orderable Information

The following pages include mechanical, packaging, and orderable information. This information is the most current data available for the designated devices. This data is subject to change without notice and revision of this document. For browser-based versions of this data sheet, refer to the left-hand navigation.

PACKAGING INFORMATION

Orderable Device	Status (1)	Package Type	Package Drawing	Pins	Package Qty	Eco Plan (2)	Lead finish/ Ball material (6)	MSL Peak Temp (3)	Op Temp (°C)	Device Marking (4/5)	Samples
PCA9548ADB	ACTIVE	SSOP	DB	24	60	RoHS & Green	NIPDAU	Level-1-260C-UNLIM	-40 to 85	PD548A	Samples
PCA9548ADBR	ACTIVE	SSOP	DB	24	2000	RoHS & Green	NIPDAU	Level-1-260C-UNLIM	-40 to 85	PD548A	Samples
PCA9548ADGV	NRND	TVSOP	DGV	24		TBD	Call TI	Call TI	-40 to 85		
PCA9548ADGVR	NRND	TVSOP	DGV	24	2000	RoHS & Green	NIPDAU	Level-1-260C-UNLIM	-40 to 85	PD548A	
PCA9548ADW	NRND	SOIC	DW	24	25	RoHS & Green	NIPDAU	Level-1-260C-UNLIM	-40 to 85	PCA9548A	
PCA9548ADWR	NRND	SOIC	DW	24	2000	RoHS & Green	NIPDAU	Level-1-260C-UNLIM	-40 to 85	PCA9548A	
PCA9548APWR	ACTIVE	TSSOP	PW	24	2000	RoHS & Green	NIPDAU	Level-1-260C-UNLIM	-40 to 85	PD548A	Samples
PCA9548APWRG4	ACTIVE	TSSOP	PW	24	2000	RoHS & Green	NIPDAU	Level-1-260C-UNLIM	-40 to 85	PD548A	Samples
PCA9548ARGER	NRND	VQFN	RGE	24	3000	RoHS & Green	NIPDAU	Level-2-260C-1 YEAR	-40 to 85	PD548A	

(1) The marketing status values are defined as follows:

ACTIVE: Product device recommended for new designs.

LIFEBUY: TI has announced that the device will be discontinued, and a lifetime-buy period is in effect.

NRND: Not recommended for new designs. Device is in production to support existing customers, but TI does not recommend using this part in a new design.

PREVIEW: Device has been announced but is not in production. Samples may or may not be available.

OBSOLETE: TI has discontinued the production of the device.

(2) **RoHS:** TI defines "RoHS" to mean semiconductor products that are compliant with the current EU RoHS requirements for all 10 RoHS substances, including the requirement that RoHS substance do not exceed 0.1% by weight in homogeneous materials. Where designed to be soldered at high temperatures, "RoHS" products are suitable for use in specified lead-free processes. TI may reference these types of products as "Pb-Free".

RoHS Exempt: TI defines "RoHS Exempt" to mean products that contain lead but are compliant with EU RoHS pursuant to a specific EU RoHS exemption.

Green: TI defines "Green" to mean the content of Chlorine (Cl) and Bromine (Br) based flame retardants meet JS709B low halogen requirements of <=1000ppm threshold. Antimony trioxide based flame retardants must also meet the <=1000ppm threshold requirement.

(3) MSL, Peak Temp. - The Moisture Sensitivity Level rating according to the JEDEC industry standard classifications, and peak solder temperature.

(4) There may be additional marking, which relates to the logo, the lot trace code information, or the environmental category on the device.

(5) Multiple Device Markings will be inside parentheses. Only one Device Marking contained in parentheses and separated by a "-" will appear on a device. If a line is indented then it is a continuation of the previous line and the two combined represent the entire Device Marking for that device.

⁽⁶⁾ Lead finish/Ball material - Orderable Devices may have multiple material finish options. Finish options are separated by a vertical ruled line. Lead finish/Ball material values may wrap to two lines if the finish value exceeds the maximum column width.

Important Information and Disclaimer:The information provided on this page represents TI's knowledge and belief as of the date that it is provided. TI bases its knowledge and belief on information provided by third parties, and makes no representation or warranty as to the accuracy of such information. Efforts are underway to better integrate information from third parties. TI has taken and continues to take reasonable steps to provide representative and accurate information but may not have conducted destructive testing or chemical analysis on incoming materials and chemicals. TI and TI suppliers consider certain information to be proprietary, and thus CAS numbers and other limited information may not be available for release.

In no event shall TI's liability arising out of such information exceed the total purchase price of the TI part(s) at issue in this document sold by TI to Customer on an annual basis.

TAPE AND REEL INFORMATION

QUADRANT ASSIGNMENTS FOR PIN 1 ORIENTATION IN TAPE


*All dimensions are nominal

Device	Package Type	Package Drawing	Pins	SPQ	Reel Diameter (mm)	Reel Width W1 (mm)	A0 (mm)	B0 (mm)	K0 (mm)	P1 (mm)	W (mm)	Pin1 Quadrant
PCA9548ADBR	SSOP	DB	24	2000	330.0	16.4	8.2	8.8	2.5	12.0	16.0	Q1
PCA9548ADGVR	TVSOP	DGV	24	2000	330.0	12.4	6.9	5.6	1.6	8.0	12.0	Q1
PCA9548ADWR	SOIC	DW	24	2000	330.0	24.4	10.75	15.7	2.7	12.0	24.0	Q1
PCA9548APWR	TSSOP	PW	24	2000	330.0	16.4	6.95	8.3	1.6	8.0	16.0	Q1
PCA9548ARGER	VQFN	RGE	24	3000	330.0	12.4	4.25	4.25	1.15	8.0	12.0	Q2
PCA9548ARGER	VQFN	RGE	24	3000	330.0	12.4	4.25	4.25	1.15	8.0	12.0	Q2

TAPE AND REEL BOX DIMENSIONS


*All dimensions are nominal

Device	Package Type	Package Drawing	Pins	SPQ	Length (mm)	Width (mm)	Height (mm)
PCA9548ADBR	SSOP	DB	24	2000	356.0	356.0	35.0
PCA9548ADGVR	TVSOP	DGV	24	2000	356.0	356.0	35.0
PCA9548ADWR	SOIC	DW	24	2000	350.0	350.0	43.0
PCA9548APWR	TSSOP	PW	24	2000	356.0	356.0	35.0
PCA9548ARGER	VQFN	RGE	24	3000	356.0	356.0	35.0
PCA9548ARGER	VQFN	RGE	24	3000	356.0	356.0	35.0

TUBE


*All dimensions are nominal

Device	Package Name	Package Type	Pins	SPQ	L (mm)	W (mm)	T (μm)	B (mm)
PCA9548ADB	DB	SSOP	24	60	530	10.5	4000	4.1
PCA9548ADW	DW	SOIC	24	25	506.98	12.7	4826	6.6

GENERIC PACKAGE VIEW

RGE 24

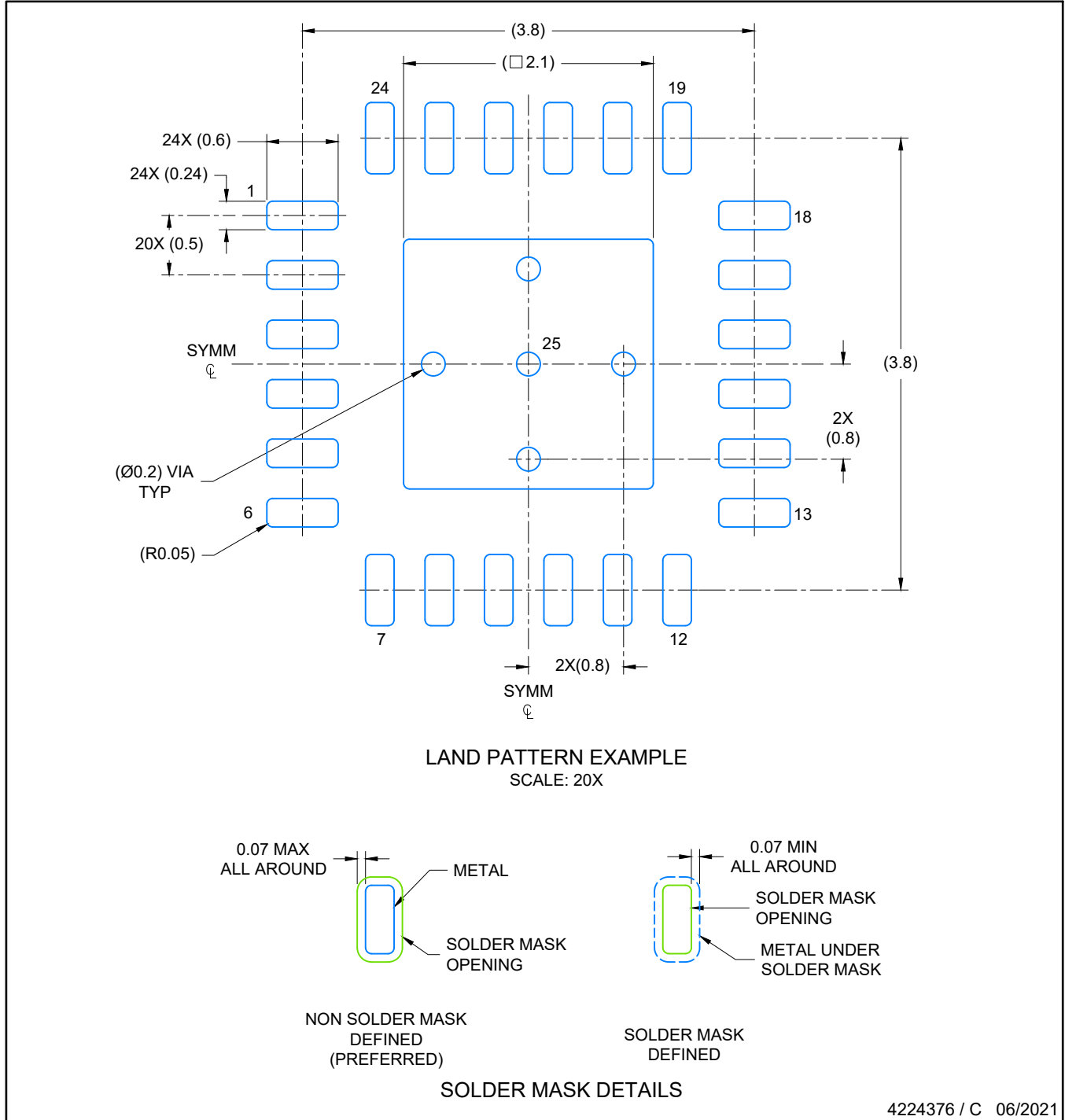
VQFN - 1 mm max height

PLASTIC QUAD FLATPACK - NO LEAD



Images above are just a representation of the package family, actual package may vary.
Refer to the product data sheet for package details.

4204104/H



NOTES: (continued)

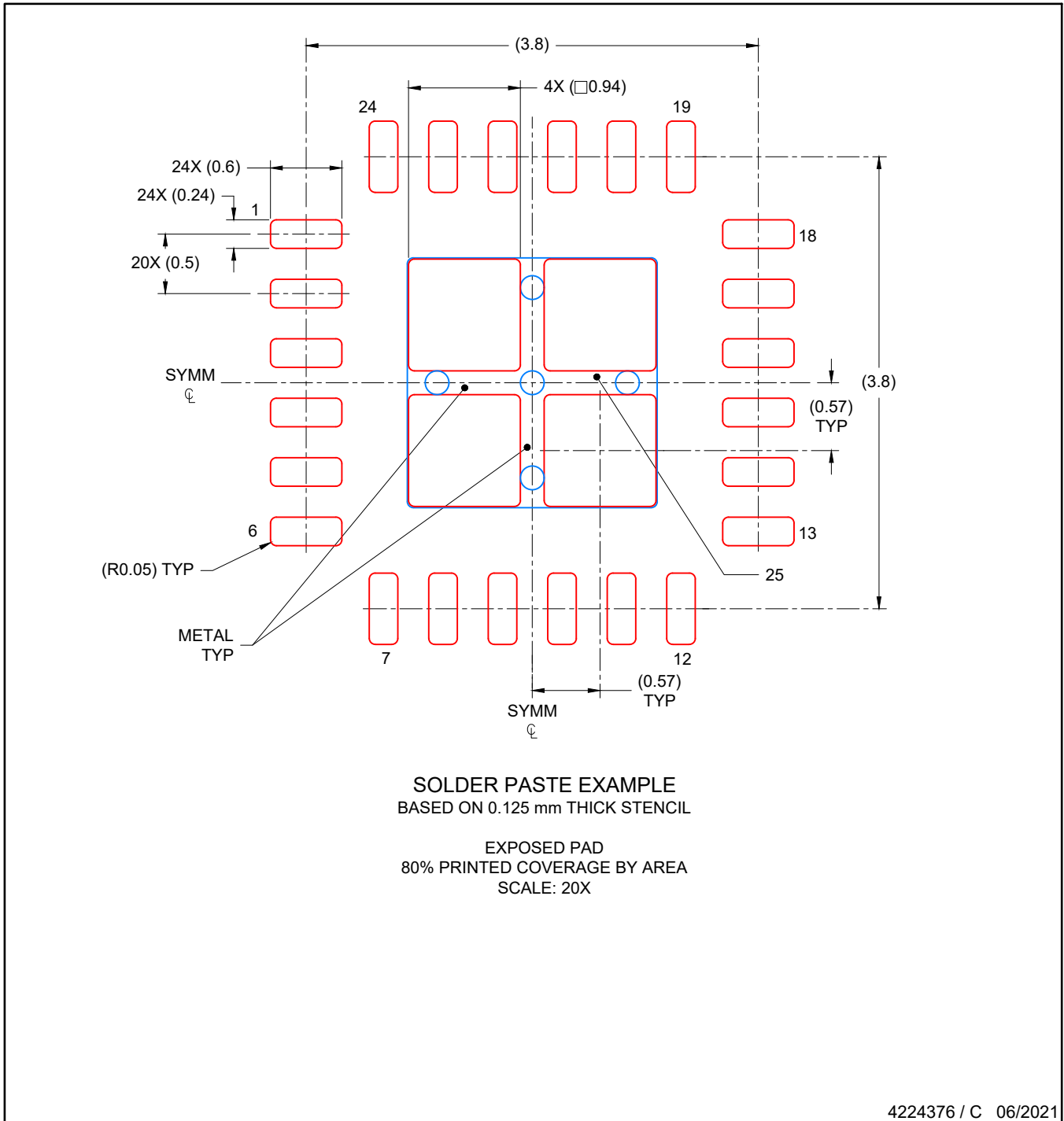
4. This package is designed to be soldered to a thermal pad on the board. For more information, see Texas Instruments literature number SLUA271 (www.ti.com/lit/slua271).
5. Solder mask tolerances between and around signal pads can vary based on board fabrication site.

EXAMPLE STENCIL DESIGN

RGE0024C

VQFN - 1 mm max height

PLASTIC QUAD FLATPACK- NO LEAD



NOTES: (continued)

6. Laser cutting apertures with trapezoidal walls and rounded corners may offer better paste release. IPC-7525 may have alternate design recommendations..

PW0024A



PACKAGE OUTLINE

TSSOP - 1.2 mm max height

SMALL OUTLINE PACKAGE



4220208/A 02/2017

NOTES:

1. All linear dimensions are in millimeters. Any dimensions in parenthesis are for reference only. Dimensioning and tolerancing per ASME Y14.5M.
2. This drawing is subject to change without notice.
3. This dimension does not include mold flash, protrusions, or gate burrs. Mold flash, protrusions, or gate burrs shall not exceed 0.15 mm per side.
4. This dimension does not include interlead flash. Interlead flash shall not exceed 0.25 mm per side.
5. Reference JEDEC registration MO-153.

EXAMPLE BOARD LAYOUT

PW0024A

TSSOP - 1.2 mm max height

SMALL OUTLINE PACKAGE



LAND PATTERN EXAMPLE
EXPOSED METAL SHOWN
SCALE: 10X



SOLDER MASK DETAILS

4220208/A 02/2017

NOTES: (continued)

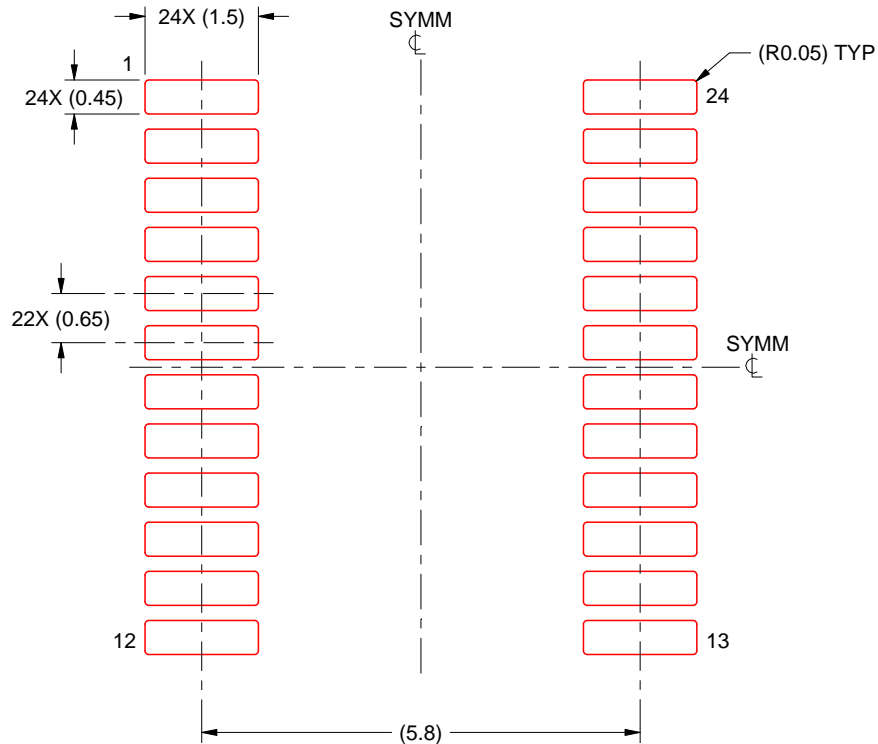
- 6. Publication IPC-7351 may have alternate designs.
- 7. Solder mask tolerances between and around signal pads can vary based on board fabrication site.

EXAMPLE STENCIL DESIGN

PW0024A

TSSOP - 1.2 mm max height

SMALL OUTLINE PACKAGE



SOLDER PASTE EXAMPLE
BASED ON 0.125 mm THICK STENCIL
SCALE: 10X

4220208/A 02/2017

NOTES: (continued)

8. Laser cutting apertures with trapezoidal walls and rounded corners may offer better paste release. IPC-7525 may have alternate design recommendations.
9. Board assembly site may have different recommendations for stencil design.

DW (R-PDSO-G24)

PLASTIC SMALL OUTLINE



- NOTES:
- A. All linear dimensions are in inches (millimeters). Dimensioning and tolerancing per ASME Y14.5M-1994.
 - B. This drawing is subject to change without notice.
 - C. Body dimensions do not include mold flash or protrusion not to exceed 0.006 (0,15).
 - D. Falls within JEDEC MS-013 variation AD.

DB (R-PDSO-G**)

PLASTIC SMALL-OUTLINE

28 PINS SHOWN



- NOTES: A. All linear dimensions are in millimeters.
 B. This drawing is subject to change without notice.
 C. Body dimensions do not include mold flash or protrusion not to exceed 0,15.
 D. Falls within JEDEC MO-150

重要なお知らせと免責事項

TI は、技術データと信頼性データ(データシートを含みます)、設計リソース(リファレンス・デザインを含みます)、アプリケーションや設計に関する各種アドバイス、Web ツール、安全性情報、その他のリソースを、欠陥が存在する可能性のある「現状のまま」提供しており、商品性および特定目的に対する適合性の黙示保証、第三者の知的財産権の非侵害保証を含むいかなる保証も、明示的または黙示的にかかわらず拒否します。

これらのリソースは、TI 製品を使用する設計の経験を積んだ開発者への提供を意図したものです。(1) お客様のアプリケーションに適した TI 製品の選定、(2) お客様のアプリケーションの設計、検証、試験、(3) お客様のアプリケーションに該当する各種規格や、その他のあらゆる安全性、セキュリティ、規制、または他の要件への確実な適合に関する責任を、お客様のみが単独で負うものとし、

上記の各種リソースは、予告なく変更される可能性があります。これらのリソースは、リソースで説明されている TI 製品を使用するアプリケーションの開発の目的でのみ、TI はその使用をお客様に許諾します。これらのリソースに関して、他の目的で複製することや掲載することは禁止されています。TI や第三者の知的財産権のライセンスが付与されている訳ではありません。お客様は、これらのリソースを自身で使用した結果発生するあらゆる申し立て、損害、費用、損失、責任について、TI およびその代理人を完全に補償するものとし、TI は一切の責任を拒否します。

TI の製品は、[TI の販売条件](#)、または [ti.com](#) やかかる TI 製品の関連資料などのいずれかを通じて提供する適用可能な条項の下で提供されています。TI がこれらのリソースを提供することは、適用される TI の保証または他の保証の放棄の拡大や変更を意味するものではありません。

お客様がいかなる追加条項または代替条項を提案した場合でも、TI はそれらに異議を唱え、拒否します。

郵送先住所 : Texas Instruments, Post Office Box 655303, Dallas, Texas 75265
Copyright © 2024, Texas Instruments Incorporated