

# SGx524 レギュレーション・パルス幅変調器

## 1 特長

- 完全なパルス幅変調 (PWM) 電力制御回路
- シングルエンドまたはプッシュプル・アプリケーション用の不確定出力
- スタンバイ電流: 8mA (標準値)

## 2 アプリケーション

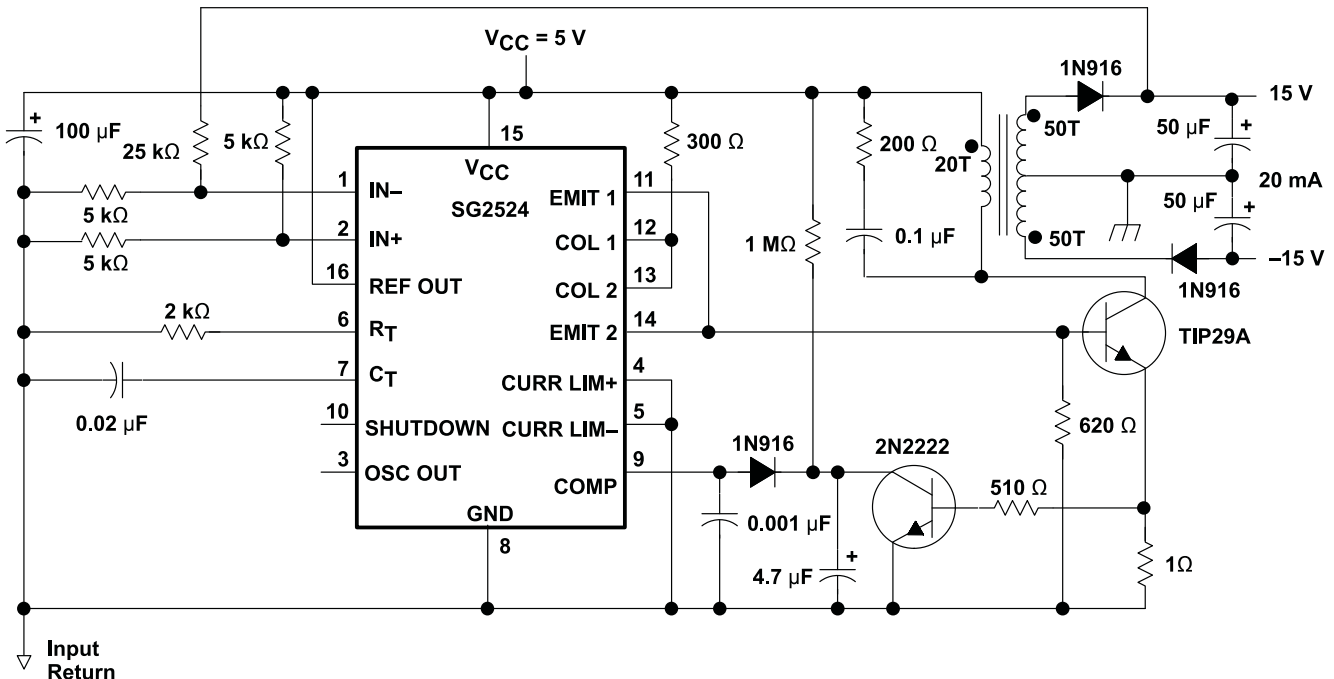
- トランス結合型 DC/DC コンバータ
- 任意の極性のスイッチング・レギュレータ

## 3 概要

SG2524 および SG3524 デバイスには、レギュレーション電源、インバータ、またはスイッチング・レギュレータをシングル・チップ上に構築するために必要なすべての機能が組み込まれています。また、ハイパワー出力アプリケーションの制御素子としても使用できます。SG2524 および SG3524 は、固定周波数のパルス幅変調 (PWM) 手法を採用した、いずれかの極性のスイッチング・レギュレータ、トランス結合型 DC/DC コンバータ、トランスレス電圧ダブル、および極性コンバータ・アプリケーション用に設計されています。相補出力により、シングルエンドまたはプッシュプルのアプリケーションに対応します。各デバイスには、オンチップ・レギュレータ、エラー・アンプ、プログラマブル発振器、パルス・ステアリング・フリップ・フロップ、2 つの不確定パス・トランジスタ、高ゲイン・コンパレータ、電流制限およびシャットダウン回路が搭載されています。

### 製品情報

| 部品番号   | パッケージ (ピン) | 本体サイズ (公称)       |
|--------|------------|------------------|
| SGx524 | SOIC (16)  | 9.90mm × 3.91mm  |
|        | PDIP (16)  | 9.90mm × 6.35mm  |
|        | NS (16)    | 10.30mm × 5.30mm |



代表的なアプリケーション回路図



## Table of Contents

|  |          |  |           |
|--|----------|--|-----------|
| <b>1 特長</b> .....                                | <b>1</b> | <b>9 Detailed Description</b> .....              | <b>9</b>  |
| <b>2 アプリケーション</b> .....                          | <b>1</b> | 9.1 Overview.....                                | 9         |
| <b>3 概要</b> .....                                | <b>1</b> | 9.2 Functional Block Diagram.....                | 9         |
| <b>4 Revision History</b> .....                  | <b>2</b> | 9.3 Feature Description.....                     | 10        |
| <b>5 Pin Configurations and Functions</b> .....  | <b>2</b> | 9.4 Device Functional Modes.....                 | 11        |
| Pin Functions.....                               | 2        | <b>10 Layout</b> .....                           | <b>19</b> |
| <b>6 Specifications</b> .....                    | <b>4</b> | 10.1 Layout Guidelines.....                      | 19        |
| 6.1 Absolute Maximum Ratings.....                | 4        | 10.2 Layout Example.....                         | 20        |
| 6.2 ESD Ratings.....                             | 4        | <b>11 Device and Documentation Support</b> ..... | <b>21</b> |
| 6.3 Recommended Operating Conditions.....        | 4        | 11.1 Related Links.....                          | 21        |
| 6.4 Thermal Information.....                     | 4        | 11.2 Trademarks.....                             | 21        |
| <b>8 Parameter Measurement Information</b> ..... | <b>8</b> |  |           |

## 4 Revision History

### Changes from Revision E (January 2015) to Revision F (February 2021) Page

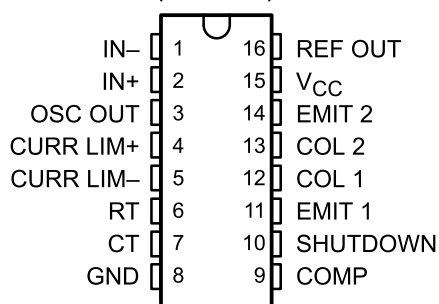
- Updated text..... **6**

### Changes from Revision D (February 2003) to Revision E (January 2015) Page

- 「アプリケーション」セクション、「製品情報」表、「端子機能」表、「ESD 定格」表、「熱に関する情報」表、「代表的特性」セクション、「機能説明」セクション、「デバイスの機能モード」セクション、「アプリケーションと実装」セクション、「電源に関する推奨事項」セクション、「レイアウト」セクション、「デバイスおよびドキュメントのサポート」セクション、「メカニカル、パッケージ、および注文情報」セクションを追加..... **1**
- 「注文情報」表を削除..... **1**

## 5 Pin Configurations and Functions

SG2524 . . . D OR N PACKAGE  
SG3524 . . . D, N, OR NS PACKAGE  
(TOP VIEW)



## Pin Functions

| PIN       |     | TYPE | DESCRIPTION   |
|-----------|-----|------|---|
| NAME      | NO. |      |   |
| COL 1     | 12  | O    | Collector terminal of BJT output 1                  |
| COL 2     | 13  | O    | Collector terminal of BJT output 2                  |
| COMP      | 9   | I/O  | Error amplifier compensation pin                    |
| CT        | 7   | —    | Capacitor terminal used to set oscillator frequency |
| CURR LIM+ | 4   | I    | Positive current limiting amplifier input           |
| CURR LIM- | 5   | I    | Negative current limiting amplifier input           |
| EMIT 1    | 11  | O    | Emitter terminal of BJT output 1                    |

| PIN             |     | TYPE | DESCRIPTION  |
|-----------------|-----|------|--|
| NAME            | NO. |      |  |
| EMIT 2          | 14  | O    | Emitter terminal of BJT output 2                   |
| GND             | 8   | —    | Ground   |
| IN+             | 2   | I    | Positive error amplifier input                     |
| IN-             | 1   | I    | Positive error amplifier input                     |
| OSC OUT         | 3   | O    | Oscillator Output                                  |
| REF OUT         | 16  | O    | Reference regulator output                         |
| RT              | 6   | —    | Resistor terminal used to set oscillator frequency |
| SHUTDOWN        | 10  | I    | Device shutdown                                    |
| V <sub>CC</sub> | 15  | —    | Positive supply                                    |

## 6 Specifications

### 6.1 Absolute Maximum Ratings

over operating free-air temperature range (unless otherwise noted)<sup>(1)</sup>

|                     |  | MIN | MAX | UNIT |
|---------------------|--|-----|-----|------|
| V <sub>CC</sub>     | Supply voltage   |     | 40  | V    |
| I <sub>CC</sub>     | Collector output current                                     |     | 100 | mA   |
| I <sub>O(ref)</sub> | Reference output current                                     |     | 50  | mA   |
|                     | Current through CT terminal                                  | –5  |     | mA   |
| T <sub>J</sub>      | Maximum junction temperature                                 |     | 150 | °C   |
|                     | Lead temperature 1,6 mm (1/16 inch) from case for 10 seconds |     | 260 | °C   |
| T <sub>stg</sub>    | Storage temperature range                                    | –65 | 150 | °C   |

- (1) Stresses beyond those listed under [セクション 6.1](#) table may cause permanent damage to the device. These are stress ratings only, and functional operation of the device at these or any other conditions beyond those indicated under [セクション 6.3](#) table are not implied. Exposure to absolute-maximum-rated conditions for extended periods may affect device reliability.

### 6.2 ESD Ratings

|                    |                         |  | VALUE | UNIT |
|--------------------|-------------------------|--|-------|------|
| V <sub>(ESD)</sub> | Electrostatic discharge | Human body model (HBM), per ANSI/ESDA/JEDEC JS-001, all pins <sup>(1)</sup>              | 1000  | V    |
|                    |                         | Charged device model (CDM), per JEDEC specification JESD22-C101, all pins <sup>(2)</sup> | 1000  |      |

- (1) JEDEC document JEP155 states that 500-V HBM allows safe manufacturing with a standard ESD control process.  
 (2) JEDEC document JEP157 states that 250-V CDM allows safe manufacturing with a standard ESD control process.

### 6.3 Recommended Operating Conditions

over operating free-air temperature range (unless otherwise noted)

|                 |                                |        | MIN   | MAX | UNIT |
|-----------------|--------------------------------|--------|-------|-----|------|
| V <sub>CC</sub> | Supply Voltage                 |        | 8     | 40  | V    |
|                 | Reference output current       |        | 0     | 50  | mA   |
|                 | Current through CT terminal    |        | –0.03 | –2  | mA   |
| R <sub>T</sub>  | Timing resistor                |        | 1.8   | 100 | kΩ   |
| C <sub>T</sub>  | Timing capacitor               |        | 0.001 | 0.1 | μF   |
| T <sub>A</sub>  | Operating free-air temperature | SG2524 | –25   | 85  | °C   |
|                 |                                | SG3524 | 0     | 70  |      |

### 6.4 Thermal Information

| THERMAL METRIC <sup>(1)</sup> | SGx524  |    |    | UNIT |      |
|-------------------------------|---|----|----|------|------|
|                               | D   | N  | NS |      |      |
|                               | 16 PINS   |    |    |      |      |
| R <sub>θJA</sub>              | Junction-to-ambient thermal resistance <sup>(2) (3)</sup> | 73 | 67 | 64   | °C/W |

- (1) For more information about traditional and new thermal metrics, see the *IC Package Thermal Metrics* application report, [SPRA953](#).  
 (2) Maximum power dissipation is a function of T<sub>J(max)</sub>, θ<sub>JA</sub>, and T<sub>A</sub>. The maximum allowable power dissipation at any allowable ambient temperature is PD = (T<sub>J(max)</sub> – T<sub>A</sub>)/θ<sub>JA</sub>. Operation at the absolute maximum T<sub>J</sub> of 150°C can impact reliability.  
 (3) The package thermal impedance is calculated in accordance with JESD 51-7.

## 7

### 7.1 Electrical Characteristics

over operating free-air temperature range,  $V_{CC} = 20\text{ V}$ ,  $f = 20\text{ kHz}$  (unless otherwise noted)

| PARAMETER                                   | TEST CONDITIONS <sup>(2)</sup>       | SG2524     |                    |     | SG3524     |                    |     | UNIT          |
|---|--------------------------------------|------------|--------------------|-----|------------|--------------------|-----|---------------|
|   |                                      | MIN        | TYP <sup>(2)</sup> | MAX | MIN        | TYP <sup>(1)</sup> | MAX |               |
| <b>Reference section</b>                    |                                      |            |                    |     |            |                    |     |               |
| Output voltage                              |                                      | 4.8        | 5                  | 5.2 | 4.6        | 5                  | 5.4 | V             |
| Input Regulation                            | $V_{CC} = 8\text{ V to }40\text{ V}$ |            | 10                 | 20  |            | 10                 | 30  | mV            |
| Ripple rejection                            | $f = 120\text{ Hz}$                  |            | 66                 |     |            | 66                 |     | dB            |
| Output regulation                           | $I_O = 0\text{ mA to }20\text{ mA}$  |            | 20                 | 50  |            | 20                 | 50  | mV            |
| Output voltage change with temperature      | $T_A = \text{MIN to MAX}$            |            | 0.3%               | 1%  |            | 0.3%               | 1%  |               |
| Short-circuit output current <sup>(3)</sup> | $V_{ref} = 0$                        |            | 100                |     |            | 100                |     | mA            |
| <b>Error Amplifier section</b>              |                                      |            |                    |     |            |                    |     |               |
| $V_{IO}$ Input offset voltage               | $V_{IC} = 2.5\text{ V}$              |            | 0.5                | 5   |            | 2                  | 10  | mV            |
| $I_{IB}$ Input bias current                 | $V_{IC} = 2.5\text{ V}$              |            | 2                  | 10  |            | 2                  | 10  | $\mu\text{A}$ |
| Open-loop voltage amplification             |                                      | 72         | 80                 |     | 60         | 80                 |     | dB            |
| $V_{ICR}$ Common-mode input voltage range   | $T_A = 25^\circ\text{C}$             | 1.8 to 3.4 |                    |     | 1.8 to 3.4 |                    |     | V             |
| CMMR Common-mode rejection ratio            |                                      |            | 70                 |     |            | 70                 |     | dB            |
| $B_1$ Unity-gain bandwidth                  |                                      |            | 3                  |     |            | 3                  |     | MHz           |
| Output swing                                | $T_A = 25^\circ\text{C}$             | 0.5        |                    | 3.8 | 0.5        |                    | 3.8 | V             |

- (1) All typical values, except for temperature coefficients, are at  $T_A = 25^\circ\text{C}$ .
- (2) For conditions shown as MIN or MAX, use the appropriate value specified under recommended operating conditions.
- (3) Standard deviation is a measure of the statistical distribution about the mean, as derived from the formula:

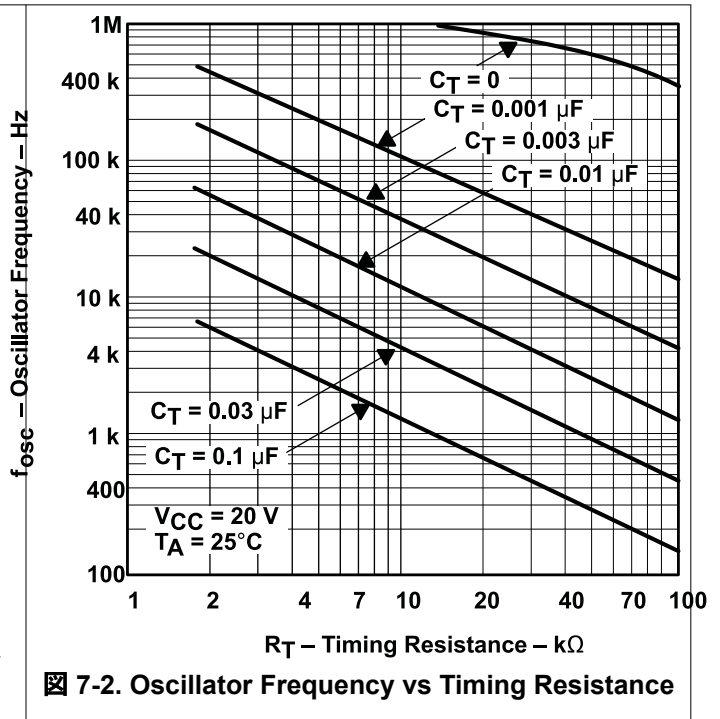
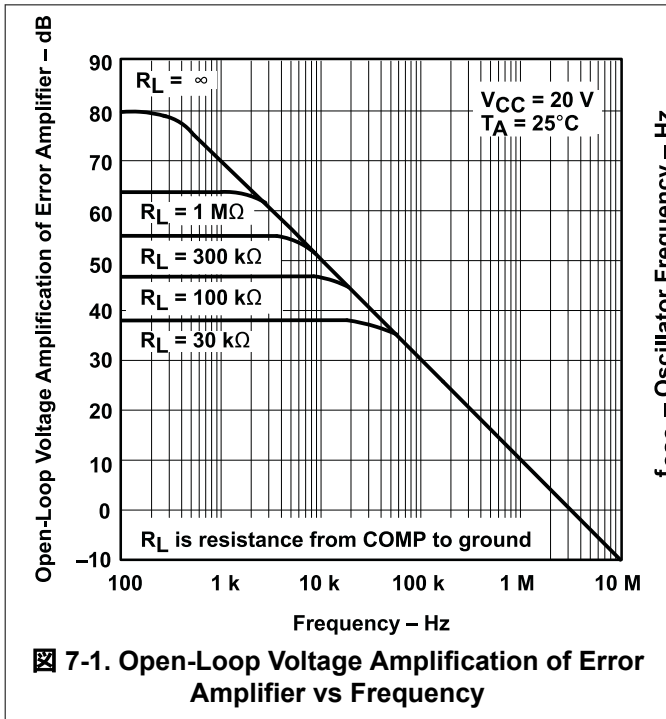
$$\sigma = \sqrt{\frac{\sum_{n=1}^N (x_n - \bar{x})^2}{N - 1}}$$

## 7.2 Electrical Characteristics — Continued, Both Parts

over operating free-air temperature range,  $V_{CC} = 20\text{ V}$ ,  $f = 20\text{ kHz}$  (unless otherwise noted)

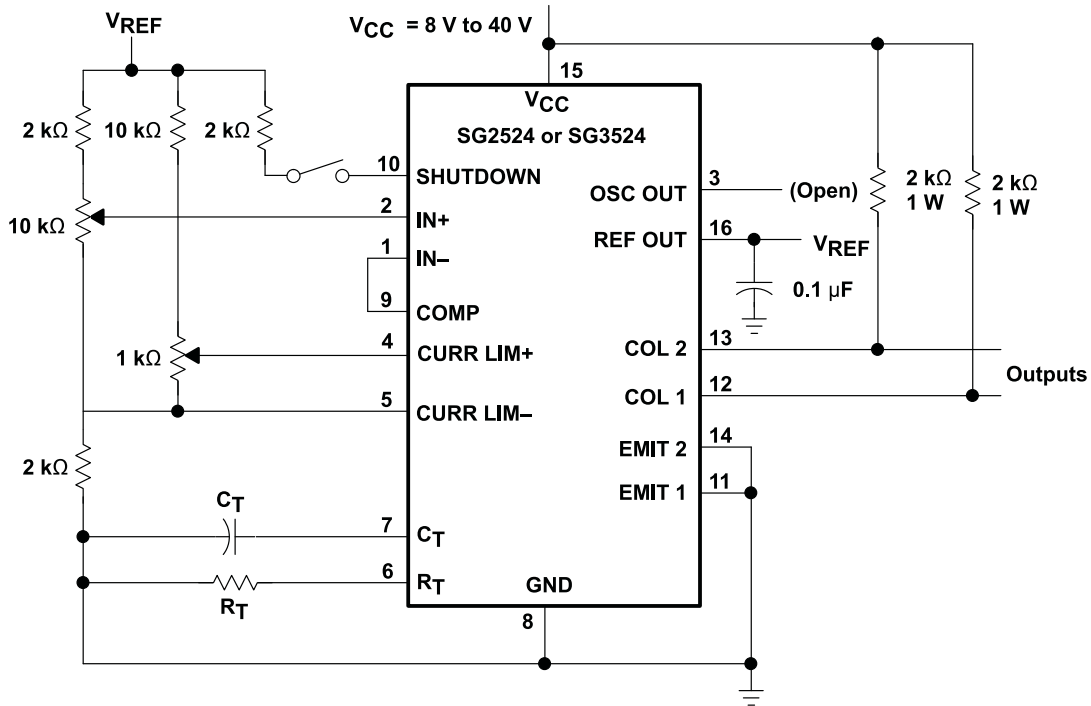
| PARAMETER                       |  | TEST CONDITIONS <sup>(2)</sup>  | MIN | TYP <sup>(1)</sup> | MAX | UNIT                       |
|---------------------------------|--|---|-----|--------------------|-----|----------------------------|
| <b>Oscillator section</b>       |  |   |     |                    |     |                            |
| $f_{OSC}$                       | Oscillator frequency                           | $C_T = 0.001\ \mu\text{F}$ , $R_T = 2\ \text{k}\Omega$  |     | 450                |     | kHz                        |
|                                 | Standard deviation of frequency <sup>(3)</sup> | All values of voltage, temperature, resistance, and capacitance constant  |     | 5                  |     | —                          |
| $\Delta f_{OSC}$                | Frequency change with voltage                  | $V_{CC} = 8\ \text{V}$ to $40\ \text{V}$ , $T_A = 25^\circ\text{C}$   |     |                    | 1%  | —                          |
|                                 | Frequency change with temperature              | $T_A = \text{MIN}$ to $\text{MAX}$  |     |                    | 2%  | —                          |
|                                 | Output amplitude at OSC OUT                    | $T_A = 25^\circ\text{C}$  |     | 3.5                |     | V                          |
| $t_W$                           | Output pulse duration (width) at OSC OUT       | $C_T = 0.01\ \mu\text{F}$ , $T_A = 25^\circ\text{C}$  |     | 0.5                |     | $\mu\text{s}$              |
| <b>Output section</b>           |  |   |     |                    |     |                            |
| $V_{(BR)CE}$                    | Collector-emitter breakdown voltage            |   | 40  |                    |     | V                          |
|                                 | Collector off-state current                    | $V_{CE} = 40\ \text{V}$   |     | 0.01               | 50  | $\mu\text{A}$              |
| $V_{sat}$                       | Collector-emitter saturation voltage           | $I_C = 50\ \text{mA}$   |     | 1                  | 2   | V                          |
| $V_O$                           | Emitter output voltage                         | $V_C = 20\ \text{V}$ , $I_E = -250\ \mu\text{A}$  | 17  | 18                 |     | V                          |
| $t_r$                           | Turn-off voltage rise time                     | $R_C = 2\ \text{k}\Omega$   |     | 0.2                |     | $\mu\text{s}$              |
| $t_f$                           | Turn-on voltage fall time                      | $R_C = 2\ \text{k}\Omega$   |     | 0.1                |     | $\mu\text{s}$              |
| <b>Comparator section</b>       |  |   |     |                    |     |                            |
|                                 | Maximum duty cycle, each output                |   | 45% |                    |     |                            |
| $V_{IT}$                        | Input threshold voltage at COMP                | Zero duty cycle   |     | 1                  |     | V                          |
|                                 |  | Maximum duty cycle  |     | 3.5                |     |                            |
| $I_{IB}$                        | Input bias current                             |   |     | -1                 |     | $\mu\text{A}$              |
| <b>Current limiting section</b> |  |   |     |                    |     |                            |
| $V_I$                           | Input voltage range                            |   | -1  |                    | 1   | V                          |
| $V_{(SENSE)}$                   | Sense voltage at $T_A = 25^\circ\text{C}$      | $V_{(IN+)} - V_{(IN-)} \geq 50\ \text{mV}$ , $V_{(COMP)} = 2\ \text{V}$   | 175 | 200                | 225 | mV                         |
|                                 | Temperature coefficient of sense voltage       |   |     | 0.2                |     | $\text{mV}/^\circ\text{C}$ |
| <b>Total Device</b>             |  |   |     |                    |     |                            |
| $I_{st}$                        | Standby current                                | $V_{CC} = 40\ \text{V}$ , $I_{N-}$ , CURR LIM+, $C_T$ , GND, COMP, EMIT 1, EMIT 2 grounded, $I_{N+}$ at $2\ \text{V}$ , All other inputs and outputs open |     | 8                  | 10  | mA                         |

### 7.3 Typical Characteristics

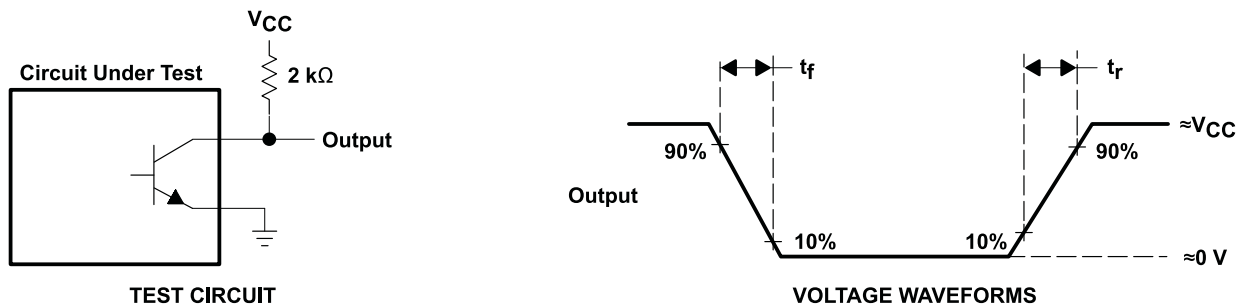


## 8 Parameter Measurement Information

### 8.1



8-1. General Test Circuit



8-2. Switching Times



## 9 Detailed Description

### 9.1 Overview

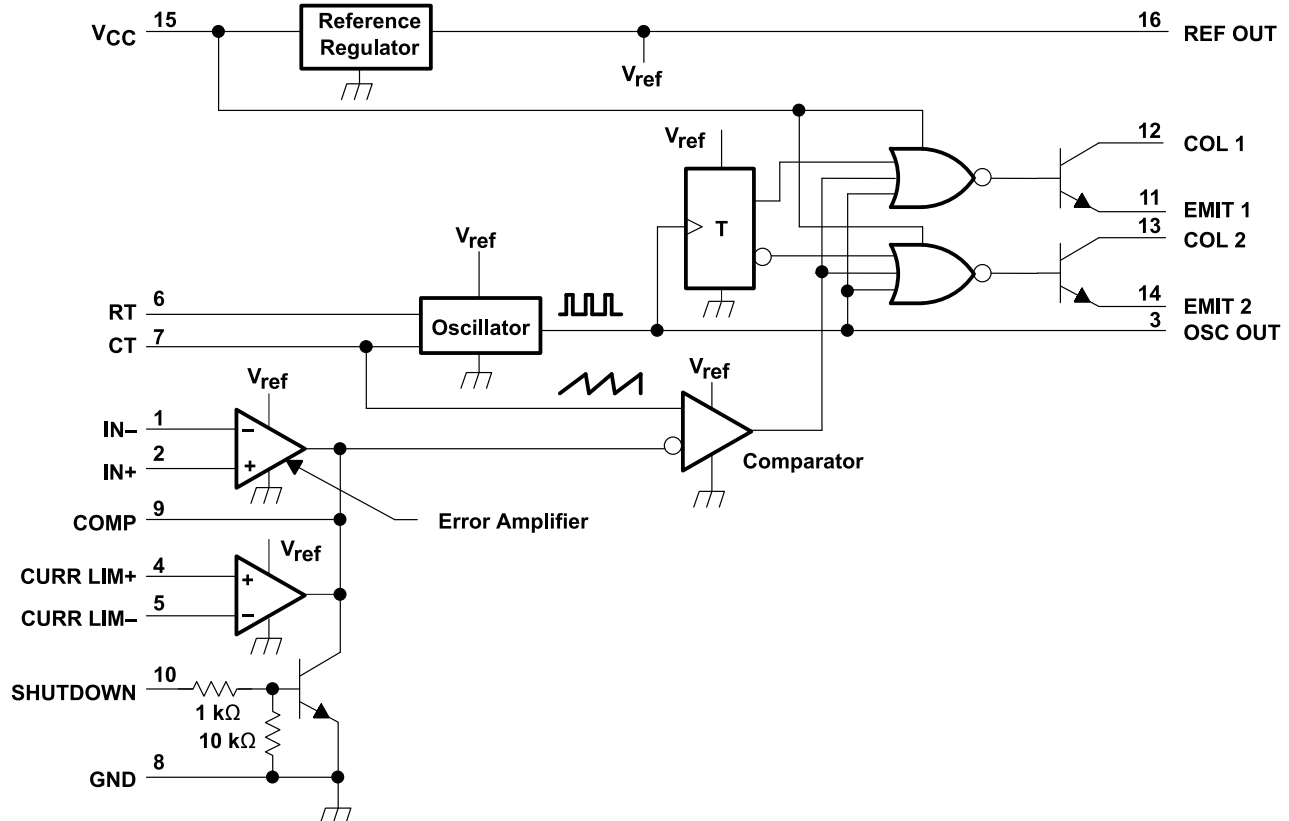
SGx524 is a fixed-frequency pulse-width-modulation (PWM) voltage-regulator control circuit. The regulator operates at a fixed frequency that is programmed by one timing resistor,  $R_T$ , and one timing capacitor,  $C_T$ .  $R_T$  establishes a constant charging current for  $C_T$ . This results in a linear voltage ramp at  $C_T$ , which is fed to the comparator, providing linear control of the output pulse duration (width) by the error amplifier.

The SGx524 contains an onboard 5-V regulator that serves as a reference, as well as supplying the SGx524 internal regulator control circuitry. The internal reference voltage is divided externally by a resistor ladder network to provide a reference within the common-mode range of the error amplifier as shown in [Figure 10-5](#), or an external reference can be used.

The output is sensed by a second resistor divider network and the error signal is amplified. This voltage is then compared to the linear voltage ramp at  $C_T$ . The resulting modulated pulse out of the high-gain comparator then is steered to the appropriate output pass transistor (Q1 or Q2) by the pulse-steering flip-flop, which is synchronously toggled by the oscillator output. The oscillator output pulse also serves as a blanking pulse to ensure both outputs are never on simultaneously during the transition times. The duration of the blanking pulse is controlled by the value of  $C_T$ .

The outputs may be applied in a push-pull configuration in which their frequency is one-half that of the base oscillator, or paralleled for single-ended applications in which the frequency is equal to that of the oscillator. The output of the error amplifier shares a common input to the comparator with the current-limiting and shut-down circuitry and can be overridden by signals from either of these inputs. This common point is pinned out externally via the COMP pin, which can be employed to either control the gain of the error amplifier or to compensate it. In addition, the COMP pin can be used to provide additional control to the regulator.

### 9.2 Functional Block Diagram



A. Resistor values shown are nominal.

## 9.3 Feature Description

### 9.3.1 Blanking

The output pulse of the oscillator is used as a blanking pulse at the output. This pulse duration is controlled by the value of  $C_T$  as shown in [Figure 7-2](#). If small values of  $C_T$  are required, the oscillator output pulse duration can be maintained by applying a shunt capacitance from OSC OUT to ground.

### 9.3.2 Error Amplifier

The error amplifier is a differential-input transconductance amplifier. The output is available for DC gain control or AC phase compensation. The compensation node (COMP) is a high-impedance node ( $R_L = 5\text{ M}\Omega$ ). The gain of the amplifier is  $AV = (0.002\ \Omega^{-1})R_L$  and easily can be reduced from a nominal 10,000 by an external shunt resistance from COMP to ground. Refer to [Figure 7-1](#) for data.

### 9.3.3 Compensation

COMP, as previously discussed, is made available for compensation. Since most output filters introduce one or more additional poles at frequencies below 200 Hz, which is the pole of the uncompensated amplifier, introduction of a zero to cancel one of the output filter poles is desirable. This can be accomplished best with a series RC circuit from COMP to ground in the range of 50 k $\Omega$  and 0.001  $\mu\text{F}$ . Other frequencies can be canceled by use of the formula  $f \approx 1/RC$ .

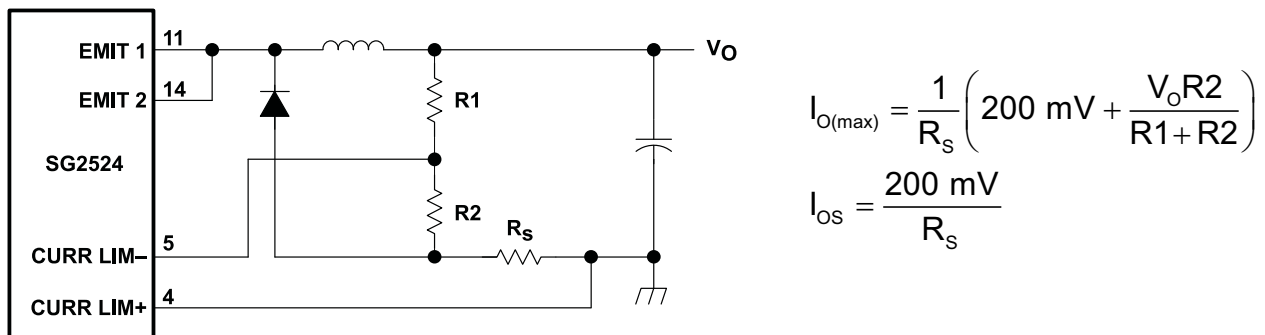
### 9.3.4 Output Circuitry

SGx524 contains two identical npn transistors, the collectors and emitters of which are uncommitted. Each transistor has antisaturation circuitry that limits the current through that transistor to a maximum of 100 mA for fast response.

### 9.3.5 Current Limiting

A current-limiting sense amplifier is provided in the SGx524 device. The current-limiting sense amplifier exhibits a threshold of 200 mV  $\pm 25$  mV and must be applied in the ground line since the voltage range of the inputs is limited to 1 V to  $-1$  V. Caution should be taken to ensure the  $-1$ -V limit is not exceeded by either input, otherwise, damage to the device may result.

Foldback current limiting can be provided with the network shown in [Figure 9-1](#). The current-limit schematic is shown in [Figure 9-2](#).



**Figure 9-1. Foldback Current Limiting for Shorted Output Conditions**

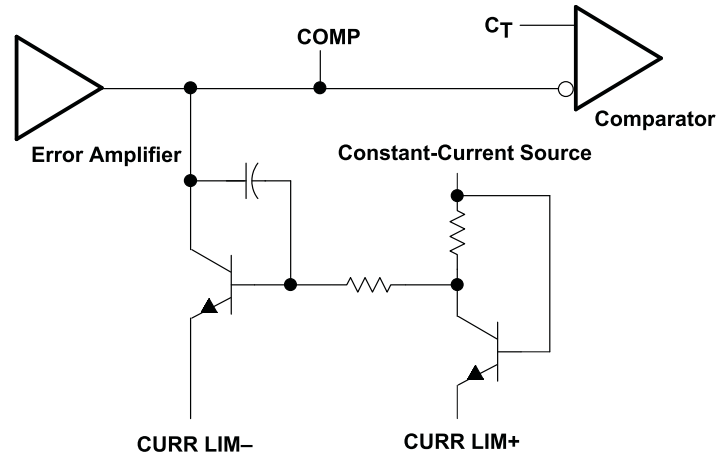


图 9-2. Current-Limit Schematic

## 9.4 Device Functional Modes

### 9.4.1 Synchronous Operation

When an external clock is desired, a clock pulse of approximately 3 V can be applied directly to the oscillator output terminal. The impedance to ground at this point is approximately 2 k $\Omega$ . In this configuration,  $R_T C_T$  must be selected for a clock period slightly greater than that of the external clock.

If two or more SGx524 regulators are operated synchronously, all oscillator output terminals must be tied together. The oscillator programmed for the minimum clock period is the master from which all the other SGx524s operate. In this application, the  $C_T R_T$  values of the slaved regulators must be set for a period approximately 10% longer than that of the master regulator. In addition,  $C_T$  (master) = 2  $C_T$  (slave) to ensure that the master output pulse, which occurs first, has a longer pulse duration and, subsequently, resets the slave regulators.

### 9.4.2 Shutdown Circuitry

COMP also can be employed to introduce external control of the SGx524. Any circuit that can sink 200  $\mu$ A can pull the compensation terminal to ground and, thus, disable the SGx524.

In addition to constant-current limiting, CURR LIM+ and CURR LIM– also can be used in transformer-coupled circuits to sense primary current and shorten an output pulse should transformer saturation occur. CURR LIM– also can be grounded to convert CURR LIM+ into an additional shutdown terminal.

## Application and Implementation

注

Information in the following applications sections is not part of the TI component specification, and TI does not warrant its accuracy or completeness. TI's customers are responsible for determining suitability of components for their purposes. Customers should validate and test their design implementation to confirm system functionality.

### 10.1 Application Information

There are a wide variety of output configurations possible when considering the application of the SG2524 as a voltage-regulator control circuit. They can be segregated into three basic categories:

- Capacitor-diode-coupled voltage multipliers
- Inductor-capacitor-implemented single-ended circuits
- Transformer-coupled circuits

Examples of these categories are shown in [Figure 10-1](#), [Figure 10-2](#), and [Figure 10-3](#), respectively. [Section 10.2](#) demonstrates how to set up the SG2524 for a capacitor-diode output design. The same techniques for setting up the internal circuitry of the IC may also be used for the other two output stage examples shown [Section 10.3](#).

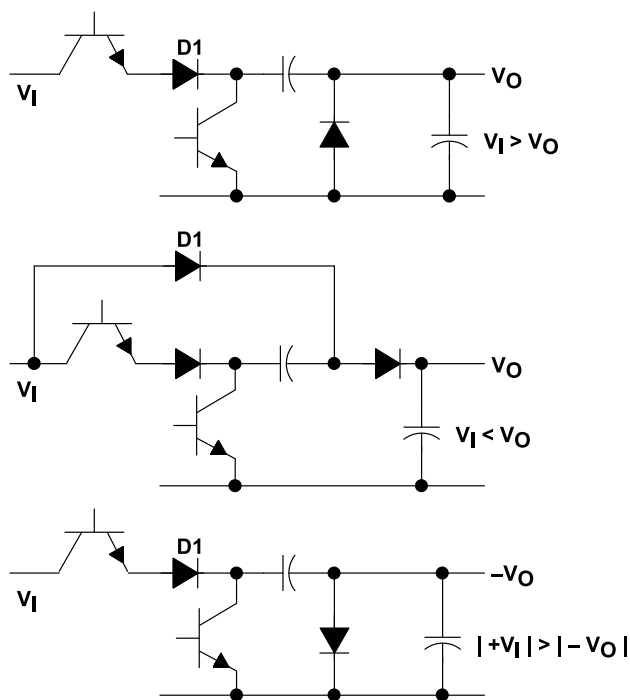
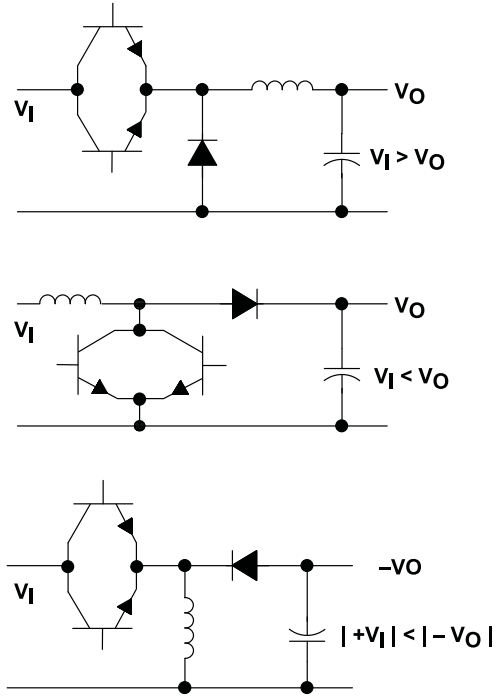
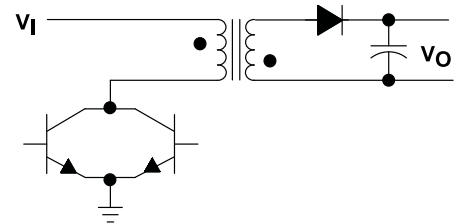
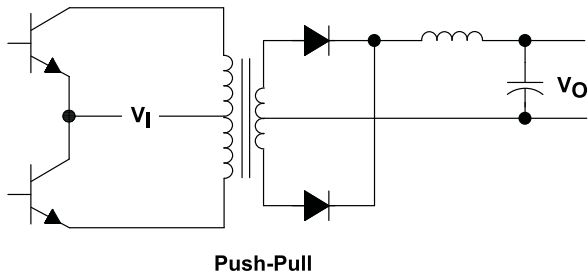


Figure 10-1. Capacitor-Diode-Coupled Voltage-Multiplier Output Stages



☒ 10-2. Single-Ended Inductor Circuit



Flyback

☒ 10-3. Transformer-Coupled Outputs

## 10.2 Typical Application

### 10.2.1 Capacitor-Diode Output

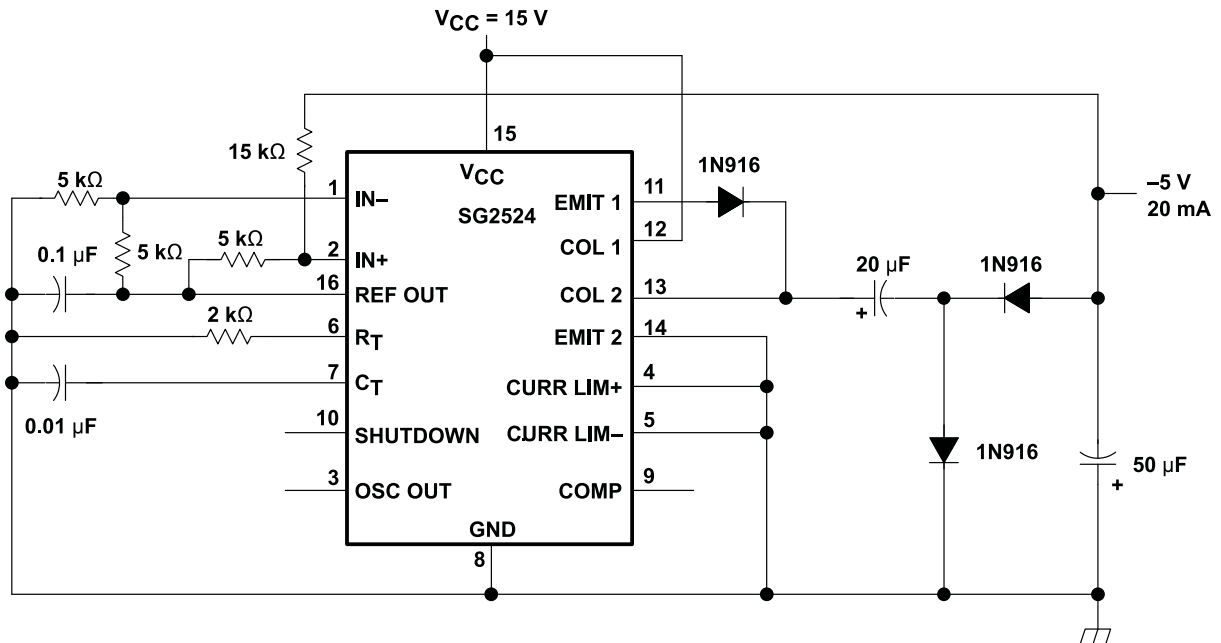


FIG 10-4. Capacitor-Diode Output Circuit Schematic

#### 10.2.1.1 Design Requirements

- 15-V supply voltage
- -5-V output voltage

#### 10.2.1.2 Detailed Design Procedure

##### 10.2.1.2.1 Oscillator

The oscillator controls the frequency of the SG2524 and is programmed by  $R_T$  and  $C_T$  as shown in FIG 10-6.

$$f \approx \frac{1.30}{R_T R_C} \quad (1)$$

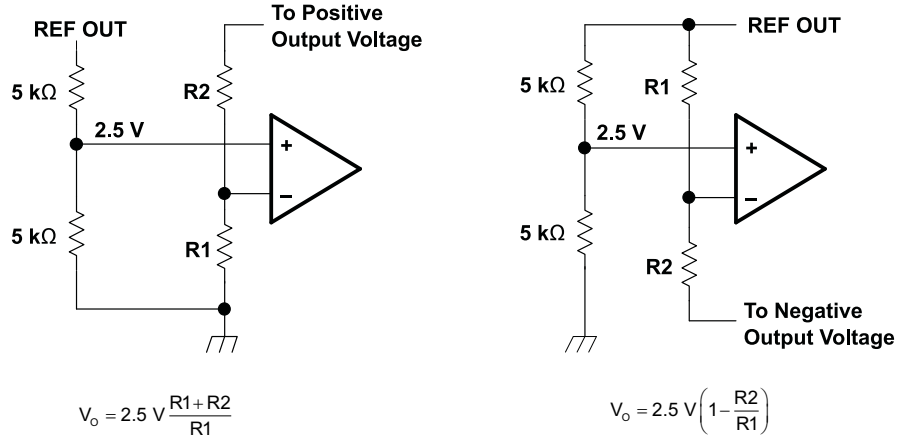
where

- $R_T$  is in  $k\Omega$
- $C_T$  is in  $\mu F$
- $f$  is in kHz

Practical values of  $C_T$  fall between  $0.001 \mu F$  and  $0.1 \mu F$ . Practical values of  $R_T$  fall between  $1.8 k\Omega$  and  $100 k\Omega$ . This results in a frequency range typically from 130 Hz to 722 kHz.

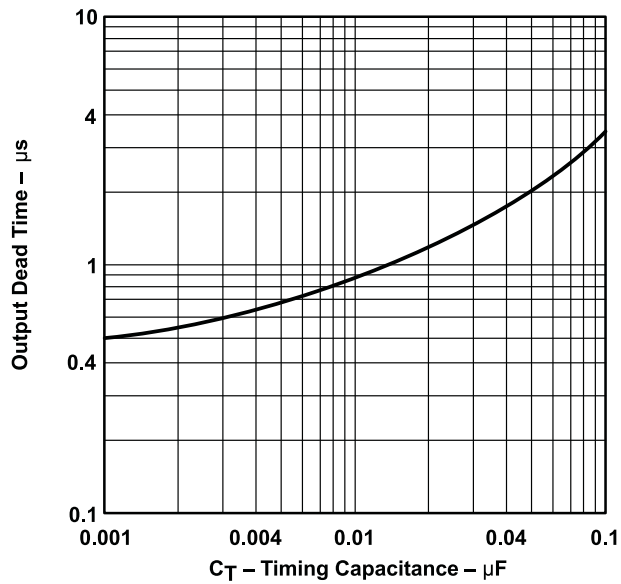
##### 10.2.1.2.2 Voltage Reference

The 5-V internal reference can be employed by use of an external resistor divider network to establish a reference common-mode voltage range (1.8 V to 3.4 V) within the error amplifiers (see FIG 10-5), or an external reference can be applied directly to the error amplifier. For operation from a fixed 5-V supply, the internal reference can be bypassed by applying the input voltage to both the  $V_{CC}$  and  $V_{REF}$  terminals. In this configuration, however, the input voltage is limited to a maximum of 6 V.



10-5. Error-Amplifier Bias Circuits

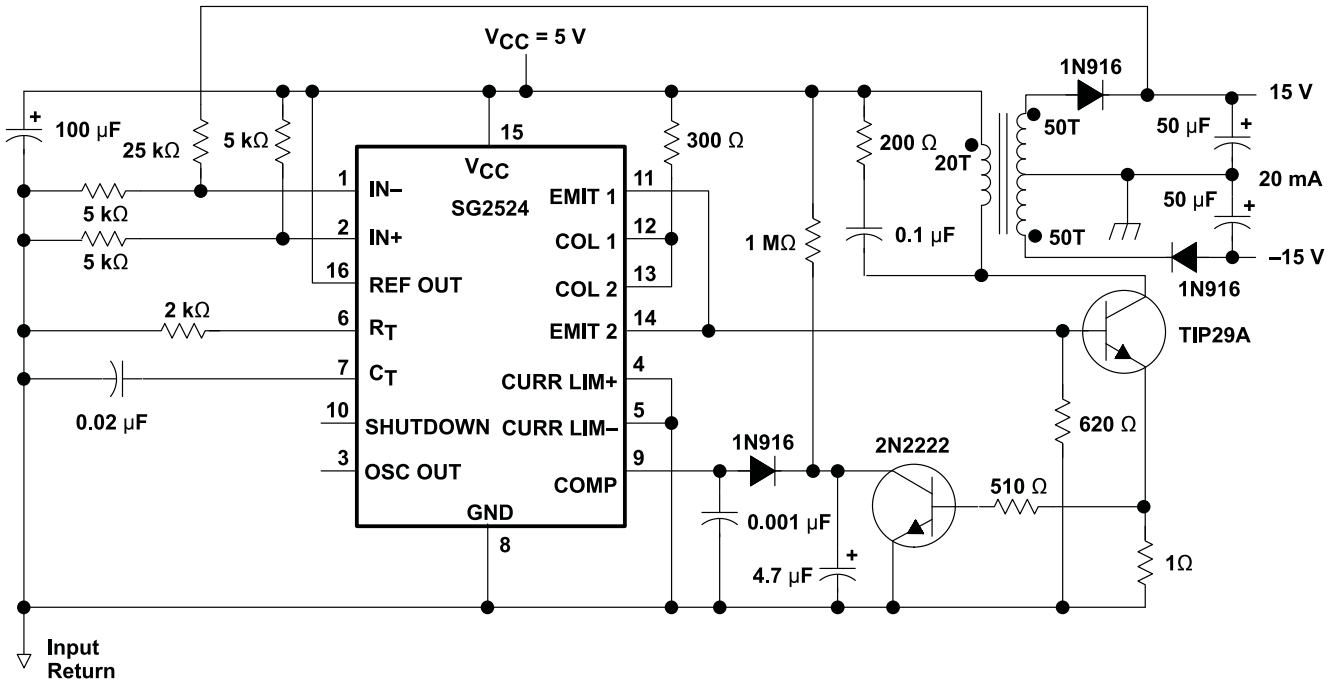
10.2.1.3 Application Curves



10-6. Output Dead Time vs Timing Capacitance

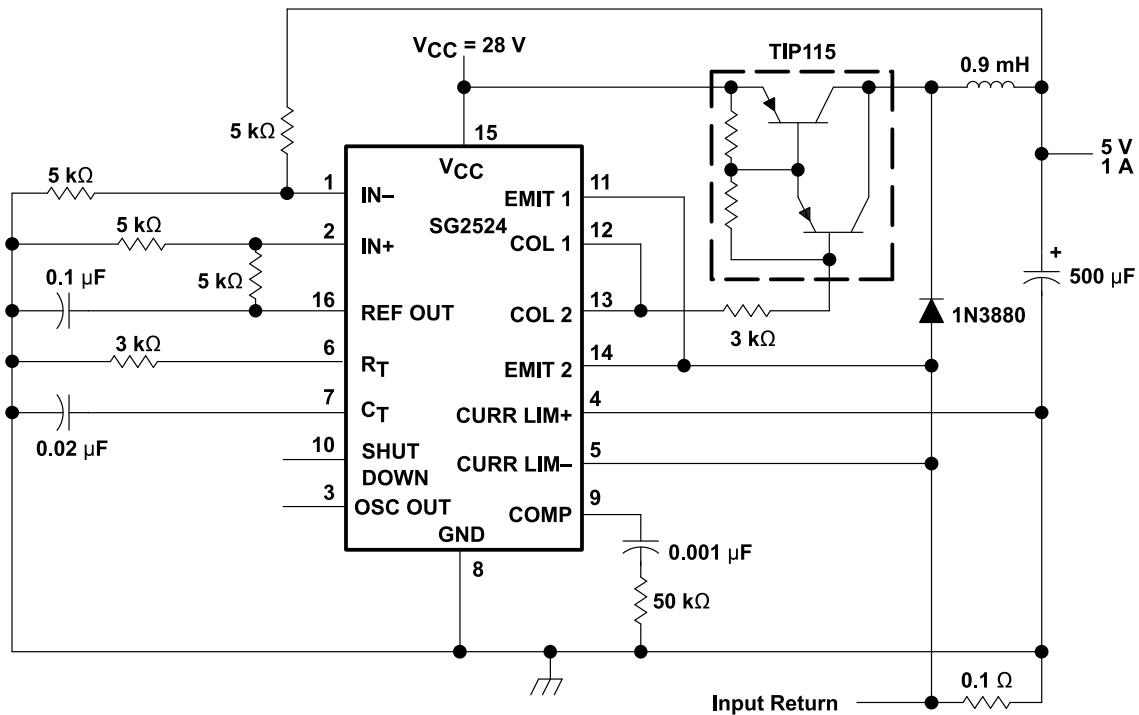
## 10.3 Examples of Other Output Stages

### 10.3.1 Flyback Converter



10-7. Flyback Converter Circuit Schematic

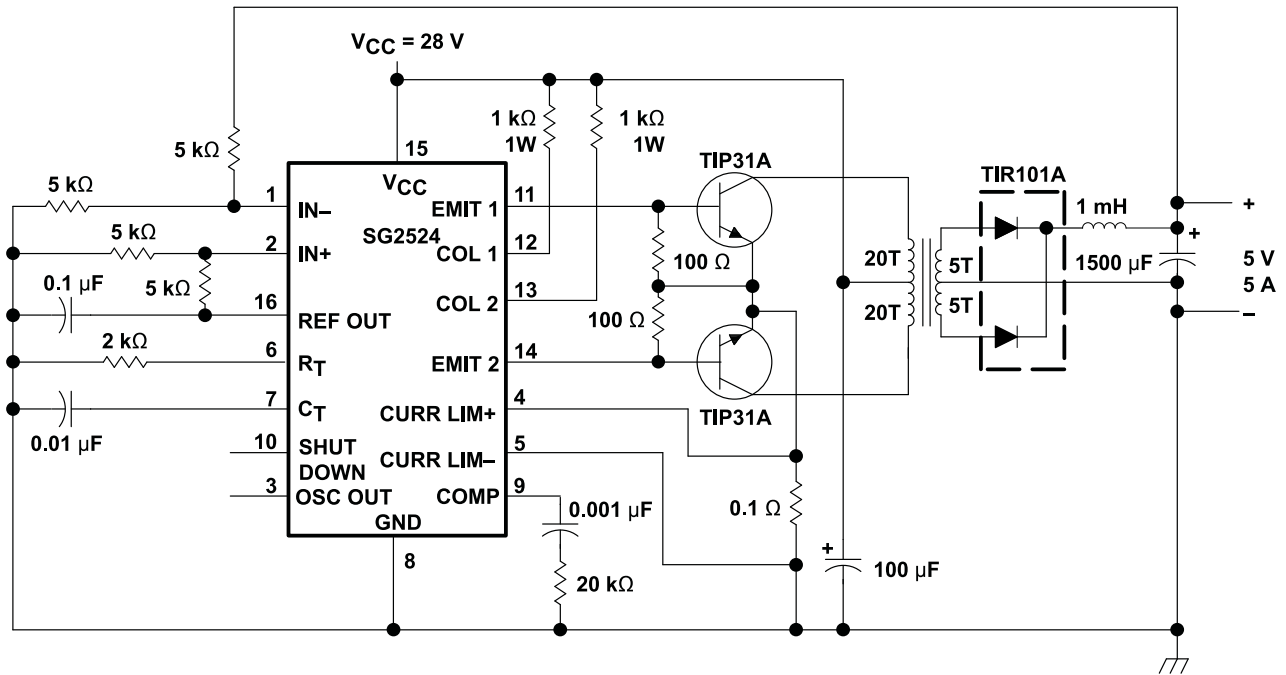
### 10.3.2 Single-Ended LC



10-8. Single-Ended LC Circuit Schematic



### 10.3.3 Push-Pull Transformer-Coupled



 10-9. Push-Pull Transformer-Coupled Circuit Schematic

## Power Supply Recommendations

SGx524 is designed to operate from an input voltage supply range between 8 V and 40 V. This input supply should be well regulated. If the input supply is located more than a few inches from the device, additional bulk capacitance may be required in addition to the ceramic bypass capacitors. A tantalum capacitor with a value of 47  $\mu\text{F}$  is a typical choice, however this may vary depending upon the output power being delivered.

## 10 Layout

### 10.1 Layout Guidelines

Always try to use a low EMI inductor with a ferrite type closed core. Some examples would be toroid and encased E core inductors. Open core can be used if they have low EMI characteristics and are located a bit more away from the low power traces and components. Make the poles perpendicular to the PCB as well if using an open core. Stick cores usually emit the most unwanted noise.

#### 10.1.1 Feedback Traces

Try to run the feedback trace as far from the inductor and noisy power traces as possible. You would also like the feedback trace to be as direct as possible and somewhat thick. These two sometimes involve a trade-off, but keeping it away from inductor EMI and other noise sources is the more critical of the two. Run the feedback trace on the side of the PCB opposite of the inductor with a ground plane separating the two.

#### 10.1.2 Input/Output Capacitors

When using a low value ceramic input filter capacitor, it should be located as close to the VIN pin of the IC as possible. This will eliminate as much trace inductance effects as possible and give the internal IC rail a cleaner voltage supply. Some designs require the use of a feed-forward capacitor connected from the output to the feedback pin as well, usually for stability reasons. In this case it should also be positioned as close to the IC as possible. Using surface mount capacitors also reduces lead length and lessens the chance of noise coupling into the effective antenna created by through-hole components.

#### 10.1.3 Compensation Components

External compensation components for stability should also be placed close to the IC. Surface mount components are recommended here as well for the same reasons discussed for the filter capacitors. These should not be located very close to the inductor either.

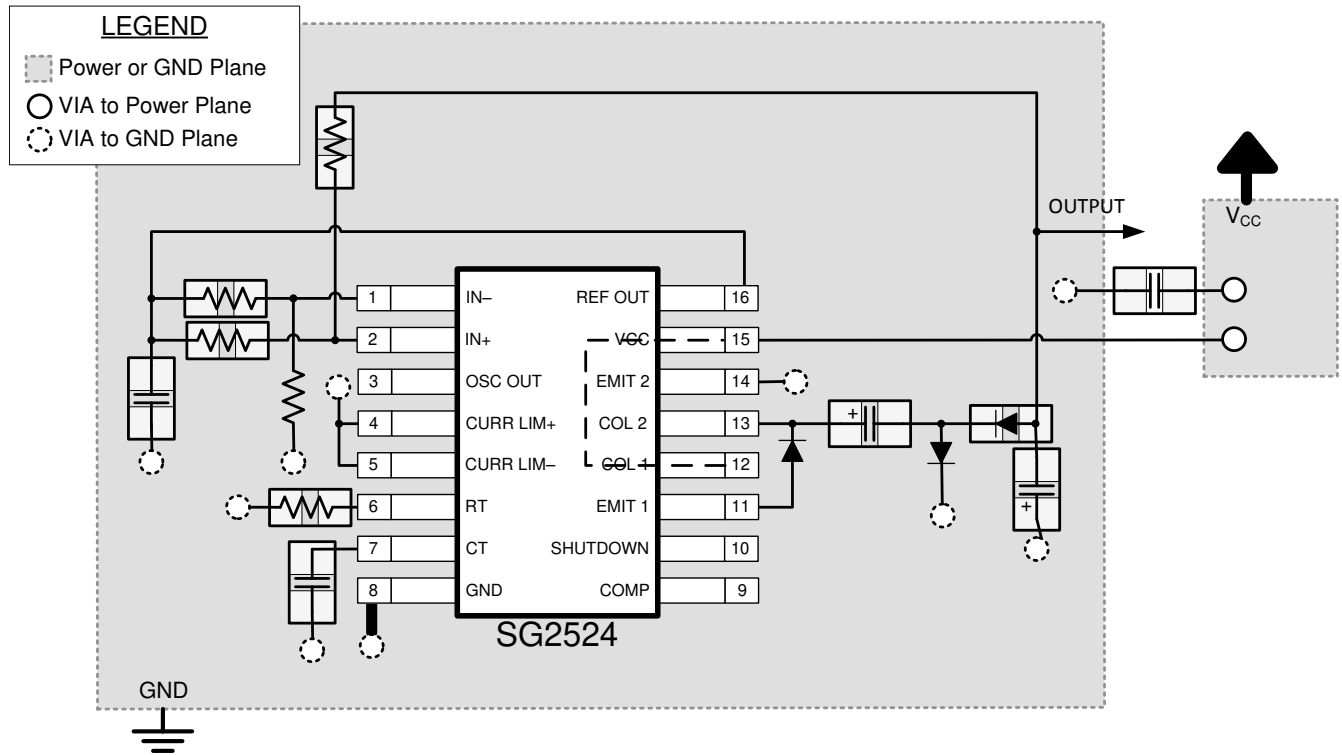
#### 10.1.4 Traces and Ground Planes

Make all of the power (high-current) traces as short, direct, and thick as possible. It is good practice on a standard PCB board to make the traces an absolute minimum of 15 mils (0.381 mm) per ampere. The inductor, output capacitors, and output diode should be as close to each other possible. This helps reduce the EMI radiated by the power traces due to the high switching currents through them. This will also reduce lead inductance and resistance as well, which in turn reduces noise spikes, ringing, and resistive losses that produce voltage errors.

The grounds of the IC, input capacitors, output capacitors, and output diode (if applicable) should be connected close together directly to a ground plane. It would also be a good idea to have a ground plane on both sides of the PCB. This will reduce noise as well by reducing ground loop errors as well as by absorbing more of the EMI radiated by the inductor. For multi-layer boards with more than two layers, a ground plane can be used to separate the power plane (where the power traces and components are) and the signal plane (where the feedback and compensation and components are) for improved performance. On multi-layer boards the use of vias will be required to connect traces and different planes. It is good practice to use one standard via per 200 mA of current if the trace will need to conduct a significant amount of current from one plane to the other.

Arrange the components so that the switching current loops curl in the same direction. Due to the way switching regulators operate, there are two power states. One state when the switch is on and one when the switch is off. During each state there will be a current loop made by the power components that are currently conducting. Place the power components so that during each of the two states the current loop is conducting in the same direction. This prevents magnetic field reversal caused by the traces between the two half-cycles and reduces radiated EMI.

## 10.2 Layout Example



**10-1. Layout Example for SG2524**

## 11 Device and Documentation Support

### 11.1 Related Links

The table below lists quick access links. Categories include technical documents, support and community resources, tools and software, and quick access to sample or buy.

**表 11-1. Related Links**

| PARTS  | PRODUCT FOLDER             | SAMPLE & BUY               | TECHNICAL DOCUMENTS        | TOOLS & SOFTWARE           | SUPPORT & COMMUNITY        |
|--------|----------------------------|----------------------------|----------------------------|----------------------------|----------------------------|
| SG2524 | <a href="#">Click here</a> | <a href="#">Click here</a> | <a href="#">Click here</a> | <a href="#">Click here</a> | <a href="#">Click here</a> |
| SG3524 | <a href="#">Click here</a> | <a href="#">Click here</a> | <a href="#">Click here</a> | <a href="#">Click here</a> | <a href="#">Click here</a> |

### 11.2 Trademarks

すべての商標は、それぞれの所有者に帰属します。

### Mechanical, Packaging, and Orderable Information

The following pages include mechanical, packaging, and orderable information. This information is the most current data available for the designated devices. This data is subject to change without notice and revision of this document. For browser-based versions of this data sheet, refer to the left-hand navigation.

**PACKAGING INFORMATION**

| Orderable Device | Status<br>(1) | Package Type | Package Drawing | Pins | Package Qty | Eco Plan<br>(2) | Lead finish/<br>Ball material<br>(6) | MSL Peak Temp<br>(3) | Op Temp (°C) | Device Marking<br>(4/5) | Samples                 |
|------------------|---------------|--------------|-----------------|------|-------------|-----------------|--------------------------------------|----------------------|--------------|-------------------------|-------------------------|
| SG2524D          | ACTIVE        | SOIC         | D               | 16   | 40          | RoHS & Green    | NIPDAU                               | Level-1-260C-UNLIM   | -25 to 85    | SG2524                  | <a href="#">Samples</a> |
| SG2524DR         | ACTIVE        | SOIC         | D               | 16   | 2500        | RoHS & Green    | NIPDAU                               | Level-1-260C-UNLIM   | -25 to 85    | SG2524                  | <a href="#">Samples</a> |
| SG2524DRE4       | ACTIVE        | SOIC         | D               | 16   | 2500        | RoHS & Green    | NIPDAU                               | Level-1-260C-UNLIM   | -25 to 85    | SG2524                  | <a href="#">Samples</a> |
| SG2524DRG4       | ACTIVE        | SOIC         | D               | 16   | 2500        | RoHS & Green    | NIPDAU                               | Level-1-260C-UNLIM   | -25 to 85    | SG2524                  | <a href="#">Samples</a> |
| SG2524N          | ACTIVE        | PDIP         | N               | 16   | 25          | RoHS & Green    | NIPDAU                               | N / A for Pkg Type   | -25 to 85    | SG2524N                 | <a href="#">Samples</a> |
| SG3524D          | OBSOLETE      | SOIC         | D               | 16   |             | TBD             | Call TI                              | Call TI              | 0 to 70      | SG3524                  |                         |
| SG3524DR         | ACTIVE        | SOIC         | D               | 16   | 2500        | RoHS & Green    | NIPDAU                               | Level-1-260C-UNLIM   | 0 to 70      | SG3524                  | <a href="#">Samples</a> |
| SG3524DRE4       | ACTIVE        | SOIC         | D               | 16   | 2500        | RoHS & Green    | NIPDAU                               | Level-1-260C-UNLIM   | 0 to 70      | SG3524                  | <a href="#">Samples</a> |
| SG3524N          | ACTIVE        | PDIP         | N               | 16   | 25          | RoHS & Green    | NIPDAU                               | N / A for Pkg Type   | 0 to 70      | SG3524N                 | <a href="#">Samples</a> |
| SG3524NE4        | ACTIVE        | PDIP         | N               | 16   | 25          | RoHS & Green    | NIPDAU                               | N / A for Pkg Type   | 0 to 70      | SG3524N                 | <a href="#">Samples</a> |
| SG3524NSR        | ACTIVE        | SO           | NS              | 16   | 2000        | RoHS & Green    | NIPDAU                               | Level-1-260C-UNLIM   | 0 to 70      | SG3524                  | <a href="#">Samples</a> |

(1) The marketing status values are defined as follows:

**ACTIVE:** Product device recommended for new designs.

**LIFEBUY:** TI has announced that the device will be discontinued, and a lifetime-buy period is in effect.

**NRND:** Not recommended for new designs. Device is in production to support existing customers, but TI does not recommend using this part in a new design.

**PREVIEW:** Device has been announced but is not in production. Samples may or may not be available.

**OBSOLETE:** TI has discontinued the production of the device.

(2) **RoHS:** TI defines "RoHS" to mean semiconductor products that are compliant with the current EU RoHS requirements for all 10 RoHS substances, including the requirement that RoHS substance do not exceed 0.1% by weight in homogeneous materials. Where designed to be soldered at high temperatures, "RoHS" products are suitable for use in specified lead-free processes. TI may reference these types of products as "Pb-Free".

**RoHS Exempt:** TI defines "RoHS Exempt" to mean products that contain lead but are compliant with EU RoHS pursuant to a specific EU RoHS exemption.

**Green:** TI defines "Green" to mean the content of Chlorine (Cl) and Bromine (Br) based flame retardants meet JS709B low halogen requirements of <=1000ppm threshold. Antimony trioxide based flame retardants must also meet the <=1000ppm threshold requirement.

(3) MSL, Peak Temp. - The Moisture Sensitivity Level rating according to the JEDEC industry standard classifications, and peak solder temperature.

- (4) There may be additional marking, which relates to the logo, the lot trace code information, or the environmental category on the device.
- (5) Multiple Device Markings will be inside parentheses. Only one Device Marking contained in parentheses and separated by a "~" will appear on a device. If a line is indented then it is a continuation of the previous line and the two combined represent the entire Device Marking for that device.
- (6) Lead finish/Ball material - Orderable Devices may have multiple material finish options. Finish options are separated by a vertical ruled line. Lead finish/Ball material values may wrap to two lines if the finish value exceeds the maximum column width.

**Important Information and Disclaimer:**The information provided on this page represents TI's knowledge and belief as of the date that it is provided. TI bases its knowledge and belief on information provided by third parties, and makes no representation or warranty as to the accuracy of such information. Efforts are underway to better integrate information from third parties. TI has taken and continues to take reasonable steps to provide representative and accurate information but may not have conducted destructive testing or chemical analysis on incoming materials and chemicals. TI and TI suppliers consider certain information to be proprietary, and thus CAS numbers and other limited information may not be available for release.

In no event shall TI's liability arising out of such information exceed the total purchase price of the TI part(s) at issue in this document sold by TI to Customer on an annual basis.

**TAPE AND REEL INFORMATION**

**QUADRANT ASSIGNMENTS FOR PIN 1 ORIENTATION IN TAPE**


\*All dimensions are nominal

| Device     | Package Type | Package Drawing | Pins | SPQ  | Reel Diameter (mm) | Reel Width W1 (mm) | A0 (mm) | B0 (mm) | K0 (mm) | P1 (mm) | W (mm) | Pin1 Quadrant |
|------------|--------------|-----------------|------|------|--------------------|--------------------|---------|---------|---------|---------|--------|---------------|
| SG2524DR   | SOIC         | D               | 16   | 2500 | 330.0              | 16.4               | 6.5     | 10.3    | 2.1     | 8.0     | 16.0   | Q1            |
| SG2524DRG4 | SOIC         | D               | 16   | 2500 | 330.0              | 16.4               | 6.5     | 10.3    | 2.1     | 8.0     | 16.0   | Q1            |
| SG3524DR   | SOIC         | D               | 16   | 2500 | 330.0              | 16.4               | 6.5     | 10.3    | 2.1     | 8.0     | 16.0   | Q1            |
| SG3524NSR  | SO           | NS              | 16   | 2000 | 330.0              | 16.4               | 8.2     | 10.5    | 2.5     | 12.0    | 16.0   | Q1            |



**TAPE AND REEL BOX DIMENSIONS**


\*All dimensions are nominal

| Device     | Package Type | Package Drawing | Pins | SPQ  | Length (mm) | Width (mm) | Height (mm) |
|------------|--------------|-----------------|------|------|-------------|------------|-------------|
| SG2524DR   | SOIC         | D               | 16   | 2500 | 353.0       | 353.0      | 32.0        |
| SG2524DRG4 | SOIC         | D               | 16   | 2500 | 353.0       | 353.0      | 32.0        |
| SG3524DR   | SOIC         | D               | 16   | 2500 | 353.0       | 353.0      | 32.0        |
| SG3524NSR  | SO           | NS              | 16   | 2000 | 356.0       | 356.0      | 35.0        |

**TUBE**


\*All dimensions are nominal

| Device    | Package Name | Package Type | Pins | SPQ | L (mm) | W (mm) | T (μm) | B (mm) |
|-----------|--------------|--------------|------|-----|--------|--------|--------|--------|
| SG2524D   | D            | SOIC         | 16   | 40  | 507    | 8      | 3940   | 4.32   |
| SG2524N   | N            | PDIP         | 16   | 25  | 506    | 13.97  | 11230  | 4.32   |
| SG3524N   | N            | PDIP         | 16   | 25  | 506    | 13.97  | 11230  | 4.32   |
| SG3524NE4 | N            | PDIP         | 16   | 25  | 506    | 13.97  | 11230  | 4.32   |



# PACKAGE OUTLINE

## NS0016A

### SOP - 2.00 mm max height

SOP



4220735/A 12/2021

#### NOTES:

1. All linear dimensions are in millimeters. Dimensions in parenthesis are for reference only. Dimensioning and tolerancing per ASME Y14.5M.
2. This drawing is subject to change without notice.
3. This dimension does not include mold flash, protrusions, or gate burrs. Mold flash, protrusions, or gate burrs shall not exceed 0.15 mm, per side.
4. This dimension does not include interlead flash. Interlead flash shall not exceed 0.25 mm, per side.

# EXAMPLE BOARD LAYOUT

NS0016A

SOP - 2.00 mm max height

SOP



SOLDER MASK DETAILS

4220735/A 12/2021

NOTES: (continued)

5. Publication IPC-7351 may have alternate designs.

6. Solder mask tolerances between and around signal pads can vary based on board fabrication site.

# EXAMPLE STENCIL DESIGN

NS0016A

SOP - 2.00 mm max height

SOP



SOLDER PASTE EXAMPLE  
BASED ON 0.125 mm THICK STENCIL  
SCALE:7X

4220735/A 12/2021

NOTES: (continued)

7. Laser cutting apertures with trapezoidal walls and rounded corners may offer better paste release. IPC-7525 may have alternate design recommendations.
8. Board assembly site may have different recommendations for stencil design.

D (R-PDSO-G16)

PLASTIC SMALL OUTLINE



- NOTES:
- A. All linear dimensions are in inches (millimeters).
  - B. This drawing is subject to change without notice.
  - C. Body length does not include mold flash, protrusions, or gate burrs. Mold flash, protrusions, or gate burrs shall not exceed 0.006 (0,15) each side.
  - D. Body width does not include interlead flash. Interlead flash shall not exceed 0.017 (0,43) each side.
  - E. Reference JEDEC MS-012 variation AC.

# MECHANICAL DATA

NS (R-PDSO-G\*\*)

PLASTIC SMALL-OUTLINE PACKAGE

14-PINS SHOWN



- NOTES:
- A. All linear dimensions are in millimeters.
  - B. This drawing is subject to change without notice.
  - C. Body dimensions do not include mold flash or protrusion, not to exceed 0,15.

N (R-PDIP-T\*\*)

PLASTIC DUAL-IN-LINE PACKAGE

16 PINS SHOWN



- NOTES:
- A. All linear dimensions are in inches (millimeters).
  - B. This drawing is subject to change without notice.
  - Falls within JEDEC MS-001, except 18 and 20 pin minimum body length (Dim A).
  - The 20 pin end lead shoulder width is a vendor option, either half or full width.



## 重要なお知らせと免責事項

TI は、技術データと信頼性データ(データシートを含みます)、設計リソース(リファレンス・デザインを含みます)、アプリケーションや設計に関する各種アドバイス、Web ツール、安全性情報、その他のリソースを、欠陥が存在する可能性のある「現状のまま」提供しており、商品性および特定目的に対する適合性の黙示保証、第三者の知的財産権の非侵害保証を含むいかなる保証も、明示的または黙示的にかかわらず拒否します。

これらのリソースは、TI 製品を使用する設計の経験を積んだ開発者への提供を意図したものです。(1) お客様のアプリケーションに適した TI 製品の選定、(2) お客様のアプリケーションの設計、検証、試験、(3) お客様のアプリケーションに該当する各種規格や、その他のあらゆる安全性、セキュリティ、規制、または他の要件への確実な適合に関する責任を、お客様のみが単独で負うものとします。

上記の各種リソースは、予告なく変更される可能性があります。これらのリソースは、リソースで説明されている TI 製品を使用するアプリケーションの開発の目的でのみ、TI はその使用をお客様に許諾します。これらのリソースに関して、他の目的で複製することや掲載することは禁止されています。TI や第三者の知的財産権のライセンスが付与されている訳ではありません。お客様は、これらのリソースを自身で使用した結果発生するあらゆる申し立て、損害、費用、損失、責任について、TI およびその代理人を完全に補償するものとし、TI は一切の責任を拒否します。

TI の製品は、[TI の販売条件](#)、または [ti.com](#) やかかる TI 製品の関連資料などのいずれかを通じて提供する適用可能な条項の下で提供されています。TI がこれらのリソースを提供することは、適用される TI の保証または他の保証の放棄の拡大や変更を意味するものではありません。

お客様がいかなる追加条項または代替条項を提案した場合でも、TI はそれらに異議を唱え、拒否します。

郵送先住所 : Texas Instruments, Post Office Box 655303, Dallas, Texas 75265  
Copyright © 2024, Texas Instruments Incorporated