

# SN54SC4T00-SEP レベル変換内蔵、耐放射線、クワッド、2 入力、正論理 NAND ゲート

## 1 特長

- VID (Vendor Item Drawing) V62/23627-01XE が利用可能
- 総吸収線量 (TID) 耐性 = 30krad(Si)
  - ウェハー ロットごとに 30krad(Si) までの総吸収線量放射線ロット受け入れ試験 (TID RLAT)
- シングル・イベント効果 (SEE) 特性:
  - シングル・イベント・ラッチアップ (SEL) 耐性: 線エネルギー付与 (LET) = 43MeV-cm<sup>2</sup>/mg
  - シングル・イベント過渡 (SET) 特性: 43MeV-cm<sup>2</sup>/mg
- 広い動作範囲: 1.2V~5.5V
- V<sub>CC</sub> = 5/3.3/2.5/1.8/1.2V の単電源レベル変換ゲート
  - TTL 互換入力:
    - 昇圧変換:
      - 1.8V – 1.2V からの入力
      - 2.5V – 1.8V からの入力
      - 3.3V – 1.8V、2.5V からの入力
      - 5.0V – 2.5V、3.3V からの入力
    - 降圧変換:
      - 1.2V – 1.8V、2.5V、3.3V、5.0V からの入力
      - 1.8V – 2.5V、3.3V、5.0V からの入力
      - 2.5V – 3.3V、5.0V からの入力
      - 3.3V – 5.0V からの入力
- 5.5V 耐圧入力ピン
- 5V で最大 25mA の出力駆動能力
- JESD 17 準拠で 250mA 超のラッチアップ性能
- 宇宙向け強化プラスチック (SEP)
  - 管理されたベースライン
  - 金ボンド・ワイヤ
  - NiPdAu リード仕上げ
  - 単一のアセンブリ/テスト施設
  - 単一の製造施設
  - 軍用温度範囲: -55°C~125°C
  - 長い製品ライフ・サイクル
  - 製品のトレーサビリティ
  - NASA ASTM E595 アウトガス仕様に適合

## 2 アプリケーション

- デジタル信号のイネーブルまたはディセーブル
- インジケータ LED の制御
- 通信モジュールとシステム・コントローラ間のレベル変換

## 3 概要

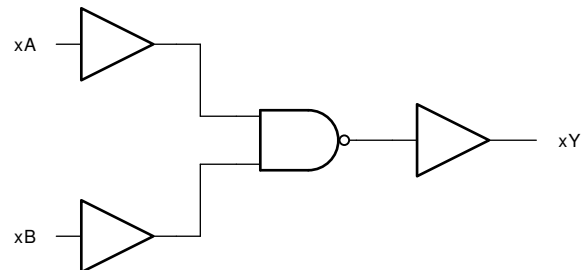
SN54SC4T00-SEP には、シュミットトリガ入力を備えた、4 つの独立した 2 入力 NAND ゲートが内蔵されています。各ゲートはブール関数  $Y = \overline{A \cdot B}$  を正論理で実行します。出力レベルは電源電圧 (V<sub>CC</sub>) を基準としており、1.8V、2.5V、3.3V、5V の CMOS レベルをサポートしています。

低電圧 CMOS 入力の昇圧変換 (例: 1.2V 入力から 1.8V 出力、1.8V 入力から 3.3V 出力) をサポートするため、低スレッショルド回路を使って入力を設計しました。また、5V 許容の入力ピンにより、降圧変換 (例: 3.3V 入力から 2.5V 出力) が可能です。

### パッケージ情報

| 部品番号           | パッケージ <sup>(1)</sup> | パッケージ・サイズ <sup>(2)</sup> | 本体サイズ (公称) <sup>(3)</sup> |
|----------------|----------------------|--------------------------|---------------------------|
| SN54SC4T00-SEP | PW (TSSOP, 14)       | 5.00mm × 6.40mm          | 5.00mm × 4.40mm           |

- (1) 詳細については、[セクション 11](#) を参照してください。
- (2) パッケージ・サイズ (長さ×幅) は公称値であり、該当する場合はピンも含まれます。
- (3) 本体サイズ (長さ×幅) は公称値であり、ピンは含まれません。



概略ロジック図



## Table of Contents

|  |    |  |    |
|--|----|--|----|
| <b>1 特長</b> .....                                | 1  | 7.3 Feature Description.....                                     | 11 |
| <b>2 アプリケーション</b> .....                          | 1  | 7.4 Device Functional Modes.....                                 | 13 |
| <b>3 概要</b> .....                                | 1  | <b>8 Application and Implementation</b> .....                    | 14 |
| <b>4 Pin Configuration and Functions</b> .....   | 3  | 8.1 Application Information.....                                 | 14 |
| <b>5 Specifications</b> .....                    | 4  | 8.2 Typical Application.....                                     | 14 |
| 5.1 Absolute Maximum Ratings.....                | 4  | 8.3 Power Supply Recommendations.....                            | 16 |
| 5.2 ESD Ratings.....                             | 4  | 8.4 Layout.....  | 16 |
| 5.3 Recommended Operating Conditions.....        | 4  | <b>9 Device and Documentation Support</b> .....                  | 18 |
| 5.4 Thermal Information.....                     | 5  | 9.1 Documentation Support.....                                   | 18 |
| 5.5 Electrical Characteristics.....              | 5  | 9.2 ドキュメントの更新通知を受け取る方法.....                                      | 18 |
| 5.6 Switching Characteristics.....               | 6  | 9.3 サポート・リソース.....   | 18 |
| 5.7 Noise Characteristics.....                   | 6  | 9.4 Trademarks.....  | 18 |
| 5.8 Typical Characteristics.....                 | 7  | 9.5 静電気放電に関する注意事項.....   | 18 |
| <b>6 Parameter Measurement Information</b> ..... | 10 | 9.6 用語集.....   | 18 |
| <b>7 Detailed Description</b> .....              | 11 | <b>10 Revision History</b> .....                                 | 18 |
| 7.1 Overview.....                                | 11 | <b>11 Mechanical, Packaging, and Orderable Information</b> ..... | 18 |
| 7.2 Functional Block Diagram.....                | 11 |  |    |

## 4 Pin Configuration and Functions

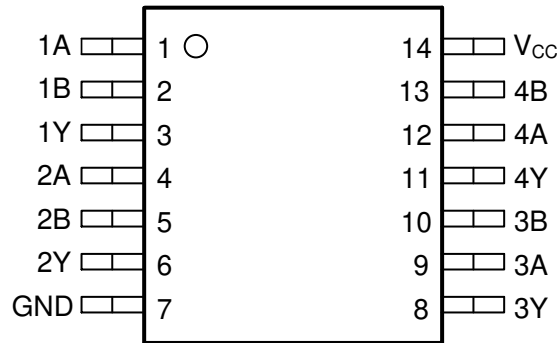


図 4-1. PW Package, 14-Pin TSSOP (Top View)

表 4-1. Pin Functions

| PIN             |     | TYPE <sup>(1)</sup> | DESCRIPTION         |
|-----------------|-----|---------------------|---------------------|
| NAME            | NO. |                     |                     |
| 1A              | 1   | I                   | Channel 1, Input A  |
| 1B              | 2   | I                   | Channel 1, Input B  |
| 1Y              | 3   | O                   | Channel 1, Output Y |
| 2A              | 4   | I                   | Channel 2, Input A  |
| 2B              | 5   | I                   | Channel 2, Input B  |
| 2Y              | 6   | O                   | Channel 2, Output Y |
| GND             | 7   | G                   | Ground              |
| 3Y              | 8   | O                   | Channel 3, Output Y |
| 3A              | 9   | I                   | Channel 3, Input A  |
| 3B              | 10  | I                   | Channel 3, Input B  |
| 4Y              | 11  | O                   | Channel 4, Output Y |
| 4A              | 12  | I                   | Channel 4, Input A  |
| 4B              | 13  | I                   | Channel 4, Input B  |
| V <sub>CC</sub> | 14  | P                   | Positive Supply     |

(1) I = Input, O = Output, I/O = Input or Output, G = Ground, P = Power.

## 5 Specifications

### 5.1 Absolute Maximum Ratings

over operating free-air temperature range (unless otherwise noted)<sup>(1)</sup>

|                  |   | MIN   | MAX                   | UNIT |    |
|------------------|---|---|-----------------------|------|----|
| V <sub>CC</sub>  | Supply voltage range  | -0.5  | 7                     | V    |    |
| V <sub>I</sub>   | Input voltage range <sup>(2)</sup>  | -0.5  | 7                     | V    |    |
| V <sub>O</sub>   | Voltage range applied to any output in the high-impedance or power-off state <sup>(2)</sup> | -0.5  | 7                     | V    |    |
| V <sub>O</sub>   | Output voltage range <sup>(2)</sup>   | -0.5  | V <sub>CC</sub> + 0.5 | V    |    |
| I <sub>IK</sub>  | Input clamp current   | V <sub>I</sub> < -0.5 V   |                       | -20  | mA |
| I <sub>OK</sub>  | Output clamp current  | V <sub>O</sub> < -0.5 V or V <sub>O</sub> > V <sub>CC</sub> + 0.5 V |                       | ±20  | mA |
| I <sub>O</sub>   | Continuous output current   | V <sub>O</sub> = 0 to V <sub>CC</sub>                               |                       | ±25  | mA |
|                  | Continuous output current through V <sub>CC</sub> or GND                                    |   |                       | ±50  | mA |
| T <sub>stg</sub> | Storage temperature   | -65   | 150                   | °C   |    |

- (1) Operation outside the *Absolute Maximum Ratings* may cause permanent device damage. Absolute maximum ratings do not imply functional operation of the device at these or any other conditions beyond those listed under *Recommended Operating Conditions*. If briefly operating outside the *Recommended Operating Conditions* but within the *Absolute Maximum Ratings*, the device may not sustain damage, but it may not be fully functional. Operating the device in this manner may affect device reliability, functionality, performance, and shorten the device lifetime.
- (2) The input and output voltage ratings may be exceeded if the input and output current ratings are observed.

### 5.2 ESD Ratings

|                    |                         |   | VALUE | UNIT |
|--------------------|-------------------------|---|-------|------|
| V <sub>(ESD)</sub> | Electrostatic discharge | Human-body model (HBM), per ANSI/ESDA/JEDEC JS-001 <sup>(1)</sup>     | ±2000 | V    |
|                    |                         | Charged-device model (CDM), per ANSI/ESDA/JEDEC JS-002 <sup>(2)</sup> | ±1000 |      |

- (1) JEDEC document JEP155 states that 500-V HBM allows safe manufacturing with a standard ESD control process.
- (2) JEDEC document JEP157 states that 250-V CDM allows safe manufacturing with a standard ESD control process.

### 5.3 Recommended Operating Conditions

over operating free-air temperature range (unless otherwise noted)

|                 |                          | MIN                                | MAX             | UNIT |    |
|-----------------|--------------------------|------------------------------------|-----------------|------|----|
| V <sub>CC</sub> | Supply voltage           | 1.2                                | 5.5             | V    |    |
| V <sub>I</sub>  | Input voltage            | 0                                  | 5.5             | V    |    |
| V <sub>O</sub>  | Output voltage           | 0                                  | V <sub>CC</sub> | V    |    |
| V <sub>IH</sub> | High-level input voltage | V <sub>CC</sub> = 1.2 V to 1.3 V   |                 | 0.78 | V  |
| V <sub>IH</sub> | High-level input voltage | V <sub>CC</sub> = 1.65 V to 2 V    |                 | 1.1  | V  |
|                 |                          | V <sub>CC</sub> = 2.25 V to 2.75 V |                 | 1.28 |    |
|                 |                          | V <sub>CC</sub> = 3 V to 3.6 V     |                 | 1.45 |    |
|                 |                          | V <sub>CC</sub> = 4.5 V to 5.5 V   |                 | 2    |    |
| V <sub>IL</sub> | Low-Level input voltage  | V <sub>CC</sub> = 1.2 V to 1.3 V   |                 | 0.18 | V  |
| V <sub>IL</sub> | Low-Level input voltage  | V <sub>CC</sub> = 1.65 V to 2 V    |                 | 0.5  | V  |
|                 |                          | V <sub>CC</sub> = 2.25 V to 2.75 V |                 | 0.65 |    |
|                 |                          | V <sub>CC</sub> = 3 V to 3.6 V     |                 | 0.75 |    |
|                 |                          | V <sub>CC</sub> = 4.5 V to 5.5 V   |                 | 0.85 |    |
| I <sub>O</sub>  | Output current           | V <sub>CC</sub> = 1.6 V to 2 V     |                 | ±3   | mA |
|                 |                          | V <sub>CC</sub> = 2.25 V to 2.75 V |                 | ±7   |    |
|                 |                          | V <sub>CC</sub> = 3.3 V to 5.0 V   |                 | ±15  |    |
| I <sub>O</sub>  | Output Current           | V <sub>CC</sub> = 4.5 V to 5.5 V   |                 | ±25  | mA |

### 5.3 Recommended Operating Conditions (続き)

over operating free-air temperature range (unless otherwise noted)

|                     |                                    |  | MIN | MAX | UNIT |
|---------------------|------------------------------------|--|-----|-----|------|
| $\Delta t/\Delta v$ | Input transition rise or fall rate | $V_{CC} = 1.6 \text{ V to } 5.0 \text{ V}$ |     | 20  | ns/V |
| $T_A$               | Operating free-air temperature     |  | -55 | 125 | °C   |

### 5.4 Thermal Information

| THERMAL METRIC <sup>(1)</sup> |  | SN54SC4T00-SEP |  | UNIT |
|-------------------------------|--|----------------|--|------|
|                               |  | PW (TSSOP)     |  |      |
|                               |  | 14 PINS        |  |      |
| $R_{\theta JA}$               | Junction-to-ambient thermal resistance       | 147.7          |  | °C/W |
| $R_{\theta JC(top)}$          | Junction-to-case (top) thermal resistance    | 77.4           |  | °C/W |
| $R_{\theta JB}$               | Junction-to-board thermal resistance         | 90.9           |  | °C/W |
| $\Psi_{JT}$                   | Junction-to-top characterization parameter   | 27.2           |  | °C/W |
| $Y_{JB}$                      | Junction-to-board characterization parameter | 90.2           |  | °C/W |
| $R_{\theta JC(bot)}$          | Junction-to-case (bottom) thermal resistance | N/A            |  | °C/W |

(1) For more information about traditional and new thermal metrics, see the [Semiconductor and IC Package Thermal Metrics](#) application report.

### 5.5 Electrical Characteristics

over operating free-air temperature range; typical ratings measured at  $T_A = 25^\circ\text{C}$  (unless otherwise noted).

| PARAMETER       | TEST CONDITIONS  | $V_{CC}$         | MIN          | TYP                 | MAX     | UNIT          |
|-----------------|--|------------------|--------------|---------------------|---------|---------------|
| $V_{OH}$        | $I_{OH} = -50 \mu\text{A}$   | 1.2 V to 5.5 V   | $V_{CC}-0.2$ |                     |         | V             |
|                 | $I_{OH} = -50 \mu\text{A}$   | 1.65 V to 5.5 V  | $V_{CC}-0.1$ |                     |         |               |
|                 | $I_{OH} = -1 \text{ mA}$   | 1.2 V            | 0.8          |                     |         |               |
|                 | $I_{OH} = -2 \text{ mA}$   | 1.65 V to 2 V    | 1.21         | 1.7 <sup>(1)</sup>  |         |               |
|                 | $I_{OH} = -3 \text{ mA}$   | 2.25 V to 2.75 V | 1.93         | 2.4 <sup>(1)</sup>  |         |               |
|                 | $I_{OH} = -5.5 \text{ mA}$   | 3 V to 3.6 V     | 2.49         | 3.08 <sup>(1)</sup> |         |               |
|                 | $I_{OH} = -8 \text{ mA}$   | 4.5 V to 5.5 V   | 3.95         | 4.65 <sup>(1)</sup> |         |               |
|                 | $I_{OH} = -24 \text{ mA}$  | 4.5 V to 5.5 V   | 3.15         |                     |         |               |
| $V_{OL}$        | $I_{OL} = 50 \mu\text{A}$  | 1.2 V to 5.5 V   |              |                     | 0.1     | V             |
|                 | $I_{OL} = 50 \mu\text{A}$  | 1.65 V to 5.5 V  |              |                     | 0.1     |               |
|                 | $I_{OL} = 1 \text{ mA}$  | 1.2 V            |              |                     | 0.2     |               |
|                 | $I_{OL} = 2 \text{ mA}$  | 1.65 V to 2 V    |              | 0.1 <sup>(1)</sup>  | 0.25    |               |
|                 | $I_{OL} = 3 \text{ mA}$  | 2.25 V to 2.75 V |              | 0.1 <sup>(1)</sup>  | 0.2     |               |
|                 | $I_{OL} = 5.5 \text{ mA}$  | 3 V to 3.6 V     |              | 0.2 <sup>(1)</sup>  | 0.25    |               |
|                 | $I_{OL} = 8 \text{ mA}$  | 4.5 V to 5.5 V   |              | 0.3 <sup>(1)</sup>  | 0.35    |               |
|                 | $I_{OL} = 24 \text{ mA}$   | 4.5 V to 5.5 V   |              |                     | 0.75    |               |
| $I_I$           | $V_I = 0 \text{ V or } V_{CC}$   | 0 V to 5.5 V     |              | $\pm 0.1$           | $\pm 1$ | $\mu\text{A}$ |
| $I_{CC}$        | $V_I = V_{CC} \text{ or GND, } I_O = 0$                                | 1.2 V to 5.5 V   |              | 2                   | 93      | $\mu\text{A}$ |
| $\Delta I_{CC}$ | One input at 0.3 V or 3.4 V, other inputs at 0 or $V_{CC}$ , $I_O = 0$ | 5.5 V            |              | 1.35                | 1.5     | mA            |
|                 | One input at 0.3 V or 1.1 V, other inputs at 0 or $V_{CC}$ , $I_O = 0$ | 1.8 V            |              |                     | 68      | $\mu\text{A}$ |
| $C_I$           | $V_I = V_{CC} \text{ or GND}$  | 5 V              |              | 3                   | 5       | pF            |
| $C_O$           | $V_O = V_{CC} \text{ or GND}$  | 5 V              |              | 5                   | 8       | pF            |

over operating free-air temperature range; typical ratings measured at  $T_A = 25^\circ\text{C}$  (unless otherwise noted).

| PARAMETER        | TEST CONDITIONS                            | $V_{CC}$       | MIN | TYP | MAX | UNIT |
|------------------|--|----------------|-----|-----|-----|------|
| $C_{PD}$ (2) (3) | $C_L = 50\text{ pF}$ , $F = 10\text{ MHz}$ | 1.2 V to 5.5 V |     | 11  | 25  | pF   |

- (1) Typical value at nearest nominal voltage (1.8 V, 2.5 V, 3.3 V, and 5 V)  
 (2)  $C_{PD}$  is used to determine the dynamic power consumption, per channel.  
 (3)  $P_D = V_{CC}^2 \times F_I \times (C_{PD} + C_L)$  where  $F_I$  = input frequency,  $C_L$  = output load capacitance,  $V_{CC}$  = supply voltage.

## 5.6 Switching Characteristics

over operating free-air temperature range; typical ratings measured at  $T_A = 25^\circ\text{C}$  (unless otherwise noted).

| PARAMETER | FROM (INPUT) | TO (OUTPUT) | LOAD CAPACITANCE     | $V_{CC}$ | MIN | TYP  | MAX   | UNIT |
|-----------|--------------|-------------|----------------------|----------|-----|------|-------|------|
| $t_{PHL}$ | A or B       | Y           | $C_L = 15\text{ pF}$ | 1.2 V    |     | 44.5 | 117.5 | nS   |
| $t_{PLH}$ | A or B       | Y           | $C_L = 15\text{ pF}$ | 1.2 V    |     | 39.5 | 102.8 | nS   |
| $t_{PHL}$ | A or B       | Y           | $C_L = 50\text{ pF}$ | 1.2 V    |     | 48.7 | 137.2 | nS   |
| $t_{PLH}$ | A or B       | Y           | $C_L = 50\text{ pF}$ | 1.2 V    |     | 45.1 | 115.2 | nS   |
| $t_{PHL}$ | A or B       | Y           | $C_L = 15\text{ pF}$ | 1.8 V    |     | 15.9 | 38.1  | nS   |
| $t_{PLH}$ | A or B       | Y           | $C_L = 15\text{ pF}$ | 1.8 V    |     | 13.5 | 33.7  | nS   |
| $t_{PHL}$ | A or B       | Y           | $C_L = 50\text{ pF}$ | 1.8 V    |     | 18.6 | 43.6  | nS   |
| $t_{PLH}$ | A or B       | Y           | $C_L = 50\text{ pF}$ | 1.8 V    |     | 15.6 | 38.0  | nS   |
| $t_{PHL}$ | A or B       | Y           | $C_L = 15\text{ pF}$ | 2.5 V    |     | 9.4  | 22.6  | nS   |
| $t_{PLH}$ | A or B       | Y           | $C_L = 15\text{ pF}$ | 2.5 V    |     | 7.7  | 20.2  | nS   |
| $t_{PHL}$ | A or B       | Y           | $C_L = 50\text{ pF}$ | 2.5 V    |     | 11.3 | 26.4  | nS   |
| $t_{PLH}$ | A or B       | Y           | $C_L = 50\text{ pF}$ | 2.5 V    |     | 9.5  | 23.1  | nS   |
| $t_{PHL}$ | A or B       | Y           | $C_L = 15\text{ pF}$ | 3.3 V    |     | 7.0  | 16.1  | nS   |
| $t_{PLH}$ | A or B       | Y           | $C_L = 15\text{ pF}$ | 3.3 V    |     | 5.7  | 14.6  | nS   |
| $t_{PHL}$ | A or B       | Y           | $C_L = 50\text{ pF}$ | 3.3 V    |     | 8.2  | 19.0  | nS   |
| $t_{PLH}$ | A or B       | Y           | $C_L = 50\text{ pF}$ | 3.3 V    |     | 7.0  | 16.7  | nS   |
| $t_{PHL}$ | A or B       | Y           | $C_L = 15\text{ pF}$ | 5 V      |     | 5.0  | 10.6  | nS   |
| $t_{PLH}$ | A or B       | Y           | $C_L = 15\text{ pF}$ | 5 V      |     | 4.7  | 9.7   | nS   |
| $t_{PHL}$ | A or B       | Y           | $C_L = 50\text{ pF}$ | 5 V      |     | 6.1  | 13.0  | nS   |
| $t_{PLH}$ | A or B       | Y           | $C_L = 50\text{ pF}$ | 5 V      |     | 5.7  | 11.4  | nS   |

## 5.7 Noise Characteristics

$V_{CC} = 5\text{ V}$ ,  $C_L = 50\text{ pF}$ ,  $T_A = 25^\circ\text{C}$

| PARAMETER   | DESCRIPTION                            | MIN  | TYP  | MAX | UNIT |
|-------------|--|------|------|-----|------|
| $V_{OL(P)}$ | Quiet output, maximum dynamic $V_{OL}$ |      | 1    | 1.2 | V    |
| $V_{OL(V)}$ | Quiet output, minimum dynamic $V_{OL}$ | -0.8 | -0.3 |     | V    |
| $V_{OH(V)}$ | Quiet output, minimum dynamic $V_{OH}$ | 4.4  | 5    |     | V    |
| $V_{IH(D)}$ | High-level dynamic input voltage       | 2.1  |      |     | V    |
| $V_{IL(D)}$ | Low-level dynamic input voltage        |      |      | 0.5 | V    |

## 5.8 Typical Characteristics

$T_A = 25^\circ\text{C}$  (unless otherwise noted)

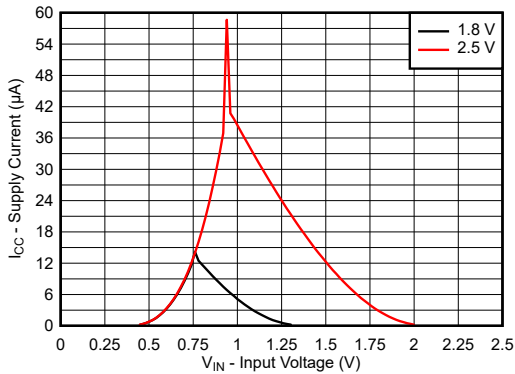


图 5-1. Supply Current Across Input Voltage 1.8-V and 2.5-V Supply

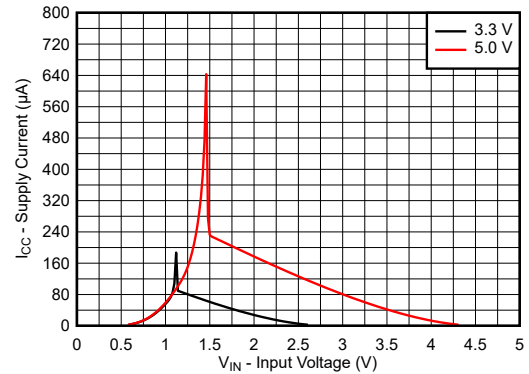


图 5-2. Supply Current Across Input Voltage 3.3-V and 5.0-V Supply

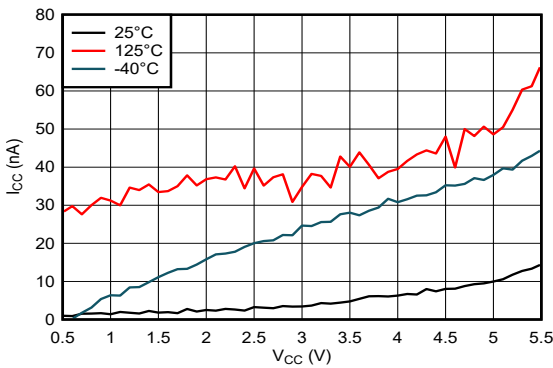


图 5-3. Supply Current Across Supply Voltage

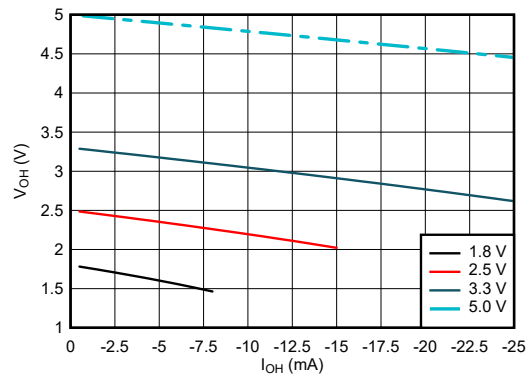


图 5-4. Output Voltage vs Current in HIGH State

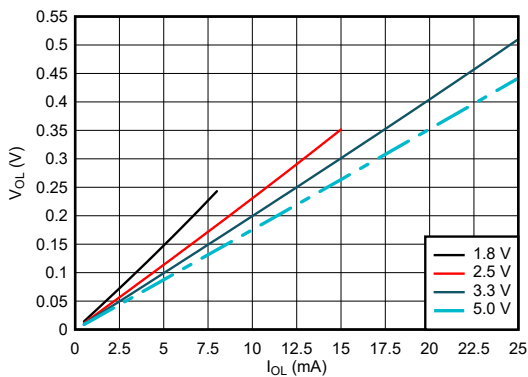


图 5-5. Output Voltage vs Current in LOW State

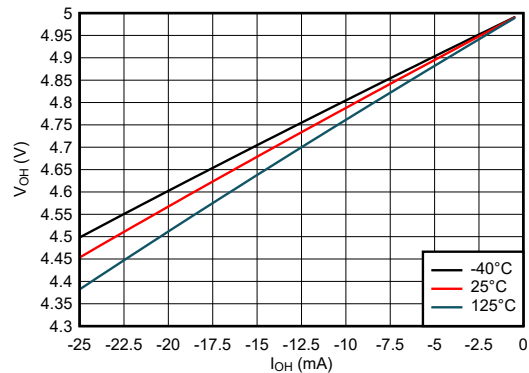


图 5-6. Output Voltage vs Current in HIGH State; 5-V Supply

## 5.8 Typical Characteristics (continued)

$T_A = 25^\circ\text{C}$  (unless otherwise noted)

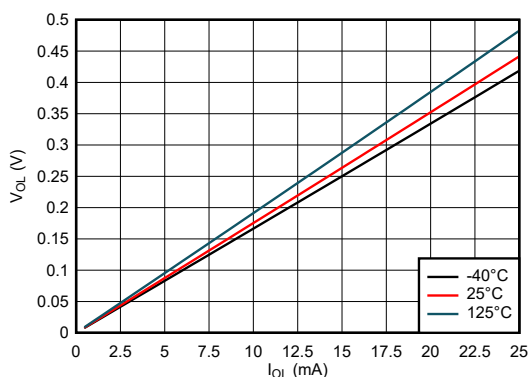


図 5-7. Output Voltage vs Current in LOW State; 5-V Supply

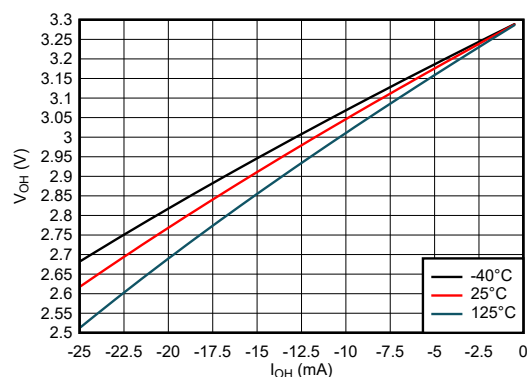


図 5-8. Output Voltage vs Current in HIGH State; 3.3-V Supply

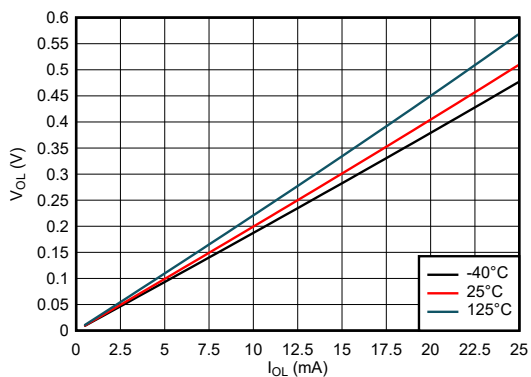


図 5-9. Output Voltage vs Current in LOW State; 3.3-V Supply

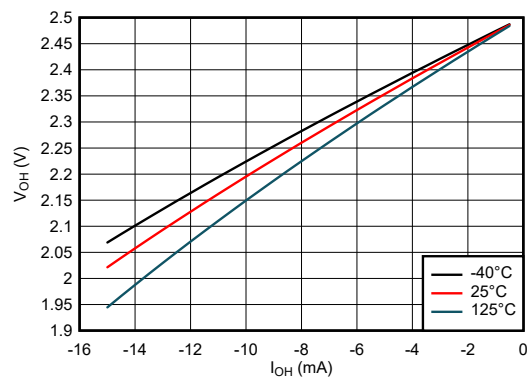


図 5-10. Output Voltage vs Current in HIGH State; 2.5-V Supply

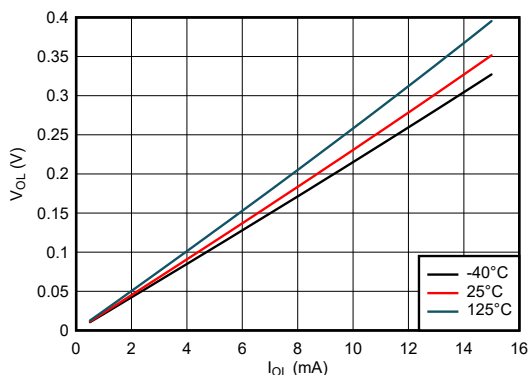


図 5-11. Output Voltage vs Current in LOW State; 2.5-V Supply

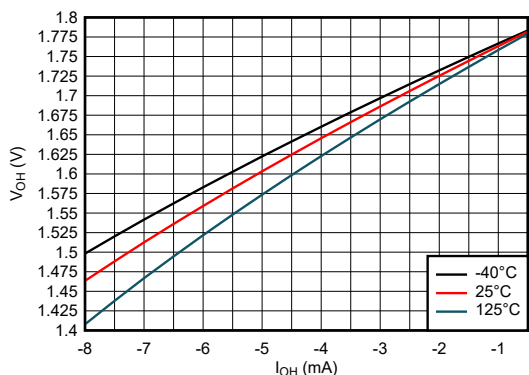


図 5-12. Output Voltage vs Current in HIGH State; 1.8-V Supply



## 5.8 Typical Characteristics (continued)

$T_A = 25^\circ\text{C}$  (unless otherwise noted)

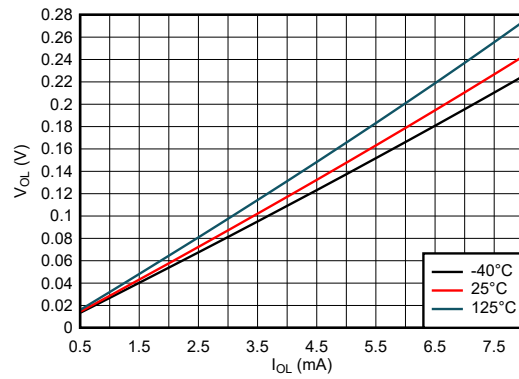


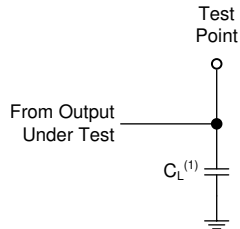
图 5-13. Output Voltage vs Current in LOW State; 1.8-V Supply

## 6 Parameter Measurement Information

Phase relationships between waveforms were chosen arbitrarily. All input pulses are supplied by generators having the following characteristics:  $PRR \leq 1 \text{ MHz}$ ,  $Z_O = 50 \ \Omega$ ,  $t_f < 2.5 \text{ ns}$ .

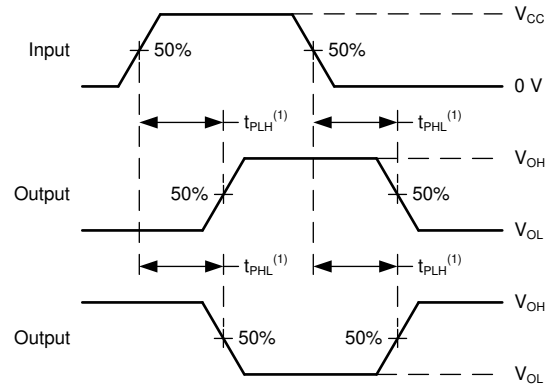
For clock inputs,  $f_{\text{max}}$  is measured when the input duty cycle is 50%.

The outputs are measured one at a time with one input transition per measurement.



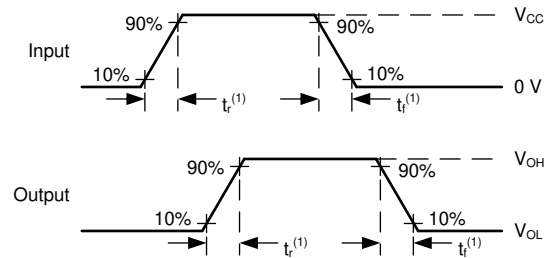
(1)  $C_L$  includes probe and test-fixture capacitance.

**图 6-1. Load Circuit for Push-Pull Outputs**



(1) The greater between  $t_{\text{PLH}}$  and  $t_{\text{PHL}}$  is the same as  $t_{\text{pd}}$ .

**图 6-2. Voltage Waveforms Propagation Delays**



(1) The greater between  $t_r$  and  $t_f$  is the same as  $t_t$ .

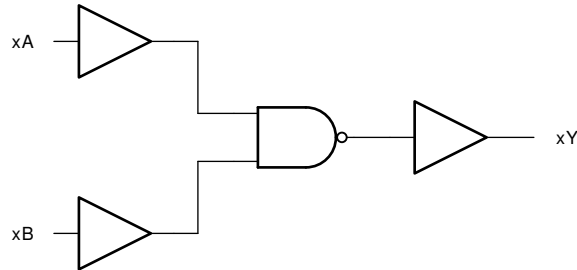
**图 6-3. Voltage Waveforms, Input and Output Transition Times**

## 7 Detailed Description

### 7.1 Overview

The SN54SC4T00-SEP contains a single buffer with extended voltage operation to allow for level translation. The buffer performs the Boolean function  $Y = A$  in positive logic. The output level is referenced to the supply voltage ( $V_{CC}$ ) and supports 1.8-V, 2.5-V, 3.3-V, and 5-V CMOS levels.

### 7.2 Functional Block Diagram



### 7.3 Feature Description

#### 7.3.1 Balanced CMOS Push-Pull Outputs

This device includes balanced CMOS push-pull outputs. The term *balanced* indicates that the device can sink and source similar currents. The drive capability of this device may create fast edges into light loads so routing and load conditions should be considered to prevent ringing. Additionally, the outputs of this device are capable of driving larger currents than the device can sustain without being damaged. It is important for the output power of the device to be limited to avoid damage due to overcurrent. The electrical and thermal limits defined in the *Absolute Maximum Ratings* must be followed at all times.

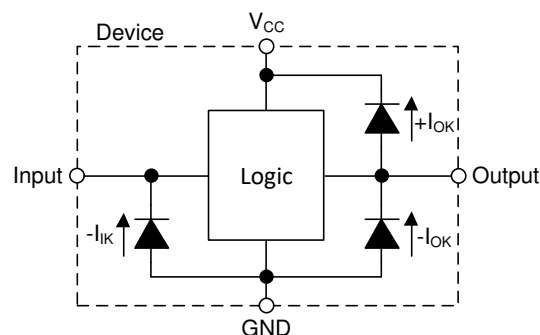
Unused push-pull CMOS outputs should be left disconnected.

#### 7.3.2 Clamp Diode Structure

As [Figure 7-1](#) shows, the outputs to this device have both positive and negative clamping diodes, and the inputs to this device have negative clamping diodes only.

**注意**

Voltages beyond the values specified in the *Absolute Maximum Ratings* table can cause damage to the device. The input and output voltage ratings may be exceeded if the input and output clamp-current ratings are observed.



**図 7-1. Electrical Placement of Clamping Diodes for Each Input and Output**

#### 7.3.3 SCxT Enhanced Input Voltage

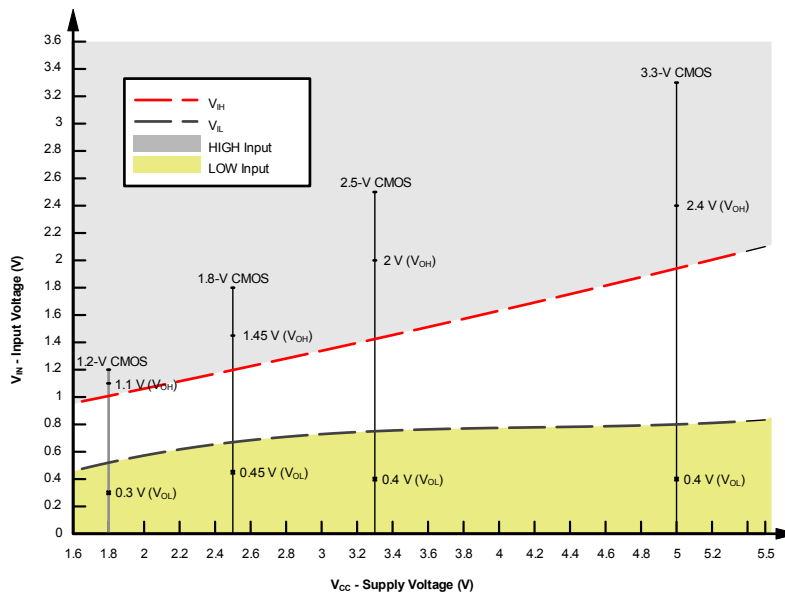
The SN54SC4T00-SEP belongs to TI's SCxT family of logic devices with integrated voltage level translation. This family of devices was designed with reduced input voltage thresholds to support up-translation, and inputs

tolerant of signals with up to 5.5 V levels to support down-translation. The output voltage will always be referenced to the supply voltage ( $V_{CC}$ ), as described in the *Electrical Characteristics* table. For proper functionality, input signals must remain at or below the specified  $V_{IH(MIN)}$  level for a HIGH input state, and at or below the specified  $V_{IL(MAX)}$  for a LOW input state. [Figure 7-2](#) shows the typical  $V_{IH}$  and  $V_{IL}$  levels for the SCxT family of devices, as well as the voltage levels for standard CMOS devices for comparison.

The inputs are high impedance and are typically modeled as a resistor in parallel with the input capacitance given in the *Electrical Characteristics*. The worst case resistance is calculated with the maximum input voltage, given in the *Absolute Maximum Ratings*, and the maximum input leakage current, given in the *Electrical Characteristics*, using Ohm's law ( $R = V \div I$ ).

The inputs require the input signals to transition between valid logic states quickly, as defined by the input transition time or rate in the *Recommended Operating Conditions* table. Failing to meet this specification will result in excessive power consumption and can cause oscillations. More details can be found in the [Implications of Slow or Floating CMOS Inputs](#) application report.

Do not leave inputs floating at any time during operation. Unused inputs must be terminated at  $V_{CC}$  or GND. If a system will not be actively driving an input at all times, a pull-up or pull-down resistor can be added to provide a valid input voltage during these times. The resistor value will depend on multiple factors; however, a 10-k $\Omega$  resistor is recommended and will typically meet all requirements.



**Figure 7-2. SCxT Input Voltage Levels**

### 7.3.3.1 Down Translation

Signals can be translated down using the SN54SC4T00-SEP. The voltage applied at the  $V_{CC}$  will determine the output voltage and the input thresholds as described in the *Recommended Operating Conditions* and *Electrical Characteristics* tables.

When connected to a high-impedance input, the output voltage will be approximately  $V_{CC}$  in the HIGH state, and 0 V in the LOW state. Ensure that the input signals in the HIGH state are between  $V_{IH(MIN)}$  and 5.5 V, and input signals in the LOW state are lower than  $V_{IL(MAX)}$  as shown in [Figure 7-2](#).

For example, standard CMOS inputs for devices operating at 5.0 V, 3.3 V or 2.5 V can be down-translated to match 1.8 V CMOS signals when operating from 1.8-V  $V_{CC}$ . See [Figure 7-3](#).

*Down Translation Combinations* are as follows:

- 1.8-V  $V_{CC}$  – Inputs from 2.5 V, 3.3 V, and 5.0 V
- 2.5-V  $V_{CC}$  – Inputs from 3.3 V and 5.0 V
- 3.3-V  $V_{CC}$  – Inputs from 5.0 V

### 7.3.3.2 Up Translation

Input signals can be up translated using the SN54SC4T00-SEP. The voltage applied at  $V_{CC}$  will determine the output voltage and the input thresholds as described in the *Recommended Operating Conditions* and *Electrical Characteristics* tables. When connected to a high-impedance input, the output voltage will be approximately  $V_{CC}$  in the HIGH state, and 0 V in the LOW state.

The inputs have reduced thresholds that allow for input HIGH state levels which are much lower than standard values. For example, standard CMOS inputs for a device operating at a 5-V supply will have a  $V_{IH(MIN)}$  of 3.5 V. For the SN54SC4T00-SEP,  $V_{IH(MIN)}$  with a 5-V supply is only 2 V, which would allow for up-translation from a typical 2.5-V to 5-V signals.

As shown in [Figure 7-3](#), ensure that the input signals in the HIGH state are above  $V_{IH(MIN)}$  and input signals in the LOW state are lower than  $V_{IL(MAX)}$ .

*Up Translation Combinations* are as follows:

- 1.8-V  $V_{CC}$  – Inputs from 1.2 V
- 2.5-V  $V_{CC}$  – Inputs from 1.8 V
- 3.3-V  $V_{CC}$  – Inputs from 1.8 V and 2.5 V
- 5.0-V  $V_{CC}$  – Inputs from 2.5 V and 3.3 V

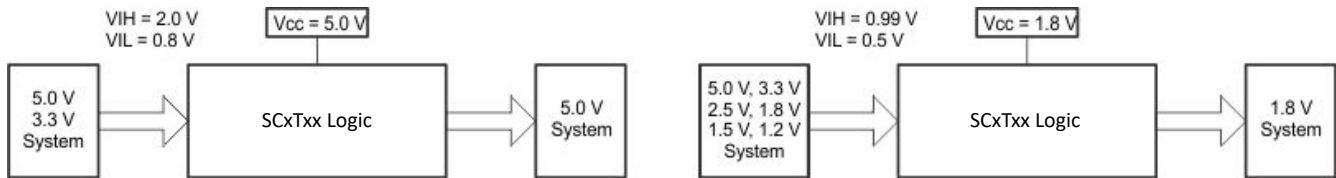


Figure 7-3. SCxT Up and Down Translation Example

## 7.4 Device Functional Modes

Table 7-1 is the function table for the SN54SC4T00-SEP.

Table 7-1. Function Table

| INPUTS <sup>(1)</sup> |   | OUTPUT<br>Y |
|-----------------------|---|-------------|
| A                     | B |             |
| H                     | H | L           |
| L                     | X | H           |
| X                     | L | H           |

(1) H = high voltage level, L = low voltage level, X = do not care, Z = high impedance

## 8 Application and Implementation

注

Information in the following applications sections is not part of the TI component specification, and TI does not warrant its accuracy or completeness. TI's customers are responsible for determining suitability of components for their purposes, as well as validating and testing their design implementation to confirm system functionality.

### 8.1 Application Information

図 8-1 shows how the SN54SC4T00-SEP is used to up-translate a 1.8-V signal to 3.3 V to drive an LED in this application. The SN54SC4T00-SEP does not limit the output current, so an added output resistor is used to provide the appropriate current limiting. The resistor value (R) should be determined by the LED's forward voltage ( $V_D$ ) and the desired forward current through the LED ( $I_D$ ) using this equation:  $R = (V_{CC} - V_D)/I_D$ .

### 8.2 Typical Application

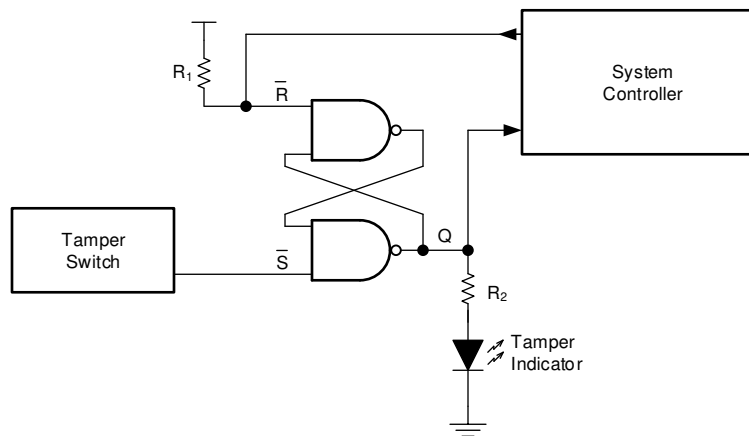


図 8-1. Typical Application Block Diagram

#### 8.2.1 Design Requirements

##### 8.2.1.1 Power Considerations

Ensure the desired supply voltage is within the range specified in the *Recommended Operating Conditions*. The supply voltage sets the device's electrical characteristics as described in the *Electrical Characteristics* section.

The positive voltage supply must be capable of sourcing current equal to the total current to be sourced by all outputs of the SN54SC4T00-SEP plus the maximum static supply current,  $I_{CC}$ , listed in the *Electrical Characteristics*, and any transient current required for switching. The logic device can only source as much current that is provided by the positive supply source. Be sure to not exceed the maximum total current through  $V_{CC}$  listed in the *Absolute Maximum Ratings*.

The ground must be capable of sinking current equal to the total current to be sunk by all outputs of the SN54SC4T00-SEP plus the maximum supply current,  $I_{CC}$ , listed in the *Electrical Characteristics*, and any transient current required for switching. The logic device can only sink as much current that can be sunk into its ground connection. Be sure to not exceed the maximum total current through GND listed in the *Absolute Maximum Ratings*.

The SN54SC4T00-SEP can drive a load with a total capacitance less than or equal to 50 pF while still meeting all of the data sheet specifications. Larger capacitive loads can be applied; however, it is not recommended to exceed 50 pF.

The SN54SC4T00-SEP can drive a load with total resistance described by  $R_L \geq V_O / I_O$ , with the output voltage and current defined in the *Electrical Characteristics* table with  $V_{OH}$  and  $V_{OL}$ . When outputting in the HIGH state, the output voltage in the equation is defined as the difference between the measured output voltage and the supply voltage at the  $V_{CC}$  pin.

Total power consumption can be calculated using the information provided in [CMOS Power Consumption and Cpd Calculation](#).

Thermal increase can be calculated using the information provided in [Thermal Characteristics of Standard Linear and Logic \(SLL\) Packages and Devices](#).

注意

The maximum junction temperature,  $T_{J(max)}$  listed in the *Absolute Maximum Ratings*, is an additional limitation to prevent damage to the device. Do not violate any values listed in the *Absolute Maximum Ratings*. These limits are provided to prevent damage to the device.

### 8.2.1.2 Input Considerations

Input signals must cross  $V_{IL(max)}$  to be considered a logic LOW, and  $V_{IH(min)}$  to be considered a logic HIGH. Do not exceed the maximum input voltage range found in the *Absolute Maximum Ratings*.

Unused inputs must be terminated to either  $V_{CC}$  or ground. The unused inputs can be directly terminated if the input is completely unused, or they can be connected with a pull-up or pull-down resistor if the input will be used sometimes, but not always. A pull-up resistor is used for a default state of HIGH, and a pull-down resistor is used for a default state of LOW. The drive current of the controller, leakage current into the SN54SC4T00-SEP (as specified in the *Electrical Characteristics*), and the desired input transition rate limits the resistor size. A 10-k $\Omega$  resistor value is often used due to these factors.

The SN54SC4T00-SEP has CMOS inputs and thus requires fast input transitions to operate correctly, as defined in the *Recommended Operating Conditions* table. Slow input transitions can cause oscillations, additional power consumption, and reduction in device reliability.

Refer to the *Feature Description* section for additional information regarding the inputs for this device.

### 8.2.1.3 Output Considerations

The positive supply voltage is used to produce the output HIGH voltage. Drawing current from the output will decrease the output voltage as specified by the  $V_{OH}$  specification in the *Electrical Characteristics*. The ground voltage is used to produce the output LOW voltage. Sinking current into the output will increase the output voltage as specified by the  $V_{OL}$  specification in the *Electrical Characteristics*.

Push-pull outputs that could be in opposite states, even for a very short time period, should never be connected directly together. This can cause excessive current and damage to the device.

Two channels within the same device with the same input signals can be connected in parallel for additional output drive strength.

Unused outputs can be left floating. Do not connect outputs directly to  $V_{CC}$  or ground.

Refer to the *Feature Description* section for additional information regarding the outputs for this device.

## 8.2.2 Detailed Design Procedure

1. Add a decoupling capacitor from  $V_{CC}$  to GND. The capacitor needs to be placed physically close to the device and electrically close to both the  $V_{CC}$  and GND pins. An example layout is shown in the *Layout* section.
2. Ensure the capacitive load at the output is  $\leq 50$  pF. This is not a hard limit; it will, however, optimize performance. This can be accomplished by providing short, appropriately sized traces from the SN54SC4T00-SEP to one or more of the receiving devices.
3. Ensure the resistive load at the output is larger than  $(V_{CC} / I_{O(max)}) \Omega$ . Doing so will not violate the maximum output current from the Absolute Maximum Ratings. Most CMOS inputs have a resistive load measured in  $M\Omega$ ; much larger than the minimum calculated previously.
4. Thermal issues are rarely a concern for logic gates; the power consumption and thermal increase, however, can be calculated using the steps provided in the application report, [CMOS Power Consumption and Cpd Calculation](#).

## 8.2.3 Application Curves

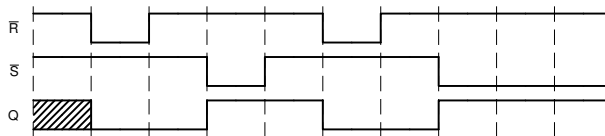


図 8-2. Application Timing Diagram

## 8.3 Power Supply Recommendations

The power supply can be any voltage between the minimum and maximum supply voltage rating located in the *Recommended Operating Conditions*. Each  $V_{CC}$  terminal should have a good bypass capacitor to prevent power disturbance. A 0.1- $\mu$ F capacitor is recommended for this device. It is acceptable to parallel multiple bypass capacitors to reject different frequencies of noise. The 0.1- $\mu$ F and 1- $\mu$ F capacitors are commonly used in parallel. The bypass capacitor should be installed as close to the power terminal as possible for best results, as shown in the following layout example.

## 8.4 Layout

### 8.4.1 Layout Guidelines

When using multiple-input and multiple-channel logic devices, inputs must never be left floating. In many cases, functions or parts of functions of digital logic devices are unused; for example, when only two inputs of a triple-input AND gate are used or only 3 of the 4 buffer gates are used. Such unused input pins must not be left unconnected because the undefined voltages at the outside connections result in undefined operational states. All unused inputs of digital logic devices must be connected to a logic high or logic low voltage, as defined by the input voltage specifications, to prevent them from floating. The logic level that must be applied to any particular unused input depends on the function of the device. Generally, the inputs are tied to GND or  $V_{CC}$ , whichever makes more sense for the logic function or is more convenient.



### 8.4.2 Layout Example

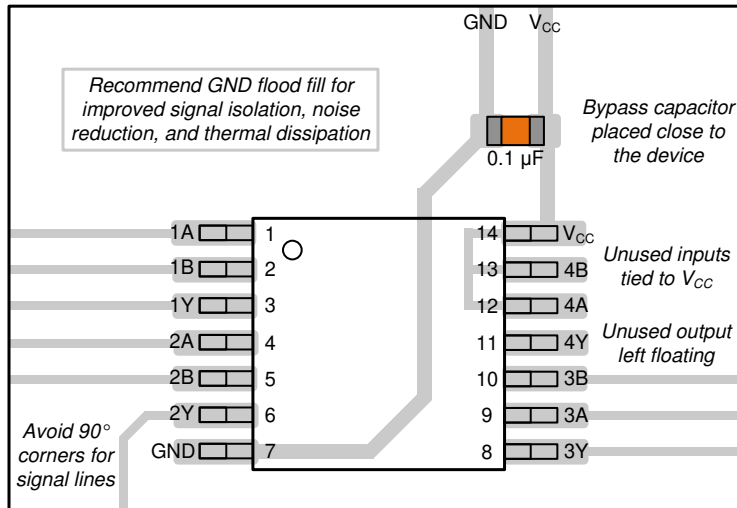


図 8-3. Example Layout for the SN54SC4T00-SEP

## 9 Device and Documentation Support

### 9.1 Documentation Support

#### 9.1.1 Related Documentation

For related documentation, see the following:

- Texas Instruments, [Implications of Slow or Floating CMOS Inputs application report](#)

### 9.2 ドキュメントの更新通知を受け取る方法

ドキュメントの更新についての通知を受け取るには、[www.tij.co.jp](http://www.tij.co.jp) のデバイス製品フォルダを開いてください。[通知] をクリックして登録すると、変更されたすべての製品情報に関するダイジェストを毎週受け取ることができます。変更の詳細については、改訂されたドキュメントに含まれている改訂履歴をご覧ください。

### 9.3 サポート・リソース

テキサス・インスツルメンツ E2E™ サポート・フォーラムは、エンジニアが検証済みの回答と設計に関するヒントをエキスパートから迅速かつ直接得ることができる場所です。既存の回答を検索したり、独自の質問をしたりすることで、設計に必要な支援を迅速に得ることができます。

リンクされているコンテンツは、各寄稿者により「現状のまま」提供されるものです。これらはテキサス・インスツルメンツの仕様を構成するものではなく、必ずしもテキサス・インスツルメンツの見解を反映したものではありません。テキサス・インスツルメンツの[使用条件](#)を参照してください。

### 9.4 Trademarks

テキサス・インスツルメンツ E2E™ is a trademark of Texas Instruments.

すべての商標は、それぞれの所有者に帰属します。

### 9.5 静電気放電に関する注意事項



この IC は、ESD によって破損する可能性があります。テキサス・インスツルメンツは、IC を取り扱う際には常に適切な注意を払うことを推奨します。正しい取り扱いおよび設置手順に従わない場合、デバイスを破損するおそれがあります。

ESD による破損は、わずかな性能低下からデバイスの完全な故障まで多岐にわたります。精密な IC の場合、パラメータがわずかに変化するだけで公表されている仕様から外れる可能性があるため、破損が発生しやすくなっています。

### 9.6 用語集

[テキサス・インスツルメンツ用語集](#) この用語集には、用語や略語の一覧および定義が記載されています。

## 10 Revision History

| DATE          | REVISION | NOTES           |
|---------------|----------|-----------------|
| November 2023 | *        | Initial Release |

## 11 Mechanical, Packaging, and Orderable Information

The following pages include mechanical, packaging, and orderable information. This information is the most current data available for the designated devices. This data is subject to change without notice and revision of this document. For browser-based versions of this data sheet, refer to the left-hand navigation.

**PACKAGING INFORMATION**

| Orderable Device  | Status<br>(1) | Package Type | Package Drawing | Pins | Package Qty | Eco Plan<br>(2) | Lead finish/<br>Ball material<br>(6) | MSL Peak Temp<br>(3) | Op Temp (°C) | Device Marking<br>(4/5) | Samples                 |
|-------------------|---------------|--------------|-----------------|------|-------------|-----------------|--------------------------------------|----------------------|--------------|-------------------------|-------------------------|
| SN54SC4T00MPWTSEP | ACTIVE        | TSSOP        | PW              | 14   | 250         | RoHS & Green    | NIPDAU                               | Level-1-260C-UNLIM   | -55 to 125   | SC00SEP                 | <a href="#">Samples</a> |
| V62/23627-01XE    | ACTIVE        | TSSOP        | PW              | 14   | 250         | RoHS & Green    | NIPDAU                               | Level-1-260C-UNLIM   |              | SC00SEP                 | <a href="#">Samples</a> |

(1) The marketing status values are defined as follows:

**ACTIVE:** Product device recommended for new designs.

**LIFEBUY:** TI has announced that the device will be discontinued, and a lifetime-buy period is in effect.

**NRND:** Not recommended for new designs. Device is in production to support existing customers, but TI does not recommend using this part in a new design.

**PREVIEW:** Device has been announced but is not in production. Samples may or may not be available.

**OBSOLETE:** TI has discontinued the production of the device.

(2) **RoHS:** TI defines "RoHS" to mean semiconductor products that are compliant with the current EU RoHS requirements for all 10 RoHS substances, including the requirement that RoHS substance do not exceed 0.1% by weight in homogeneous materials. Where designed to be soldered at high temperatures, "RoHS" products are suitable for use in specified lead-free processes. TI may reference these types of products as "Pb-Free".

**RoHS Exempt:** TI defines "RoHS Exempt" to mean products that contain lead but are compliant with EU RoHS pursuant to a specific EU RoHS exemption.

**Green:** TI defines "Green" to mean the content of Chlorine (Cl) and Bromine (Br) based flame retardants meet JS709B low halogen requirements of <=1000ppm threshold. Antimony trioxide based flame retardants must also meet the <=1000ppm threshold requirement.

(3) MSL, Peak Temp. - The Moisture Sensitivity Level rating according to the JEDEC industry standard classifications, and peak solder temperature.

(4) There may be additional marking, which relates to the logo, the lot trace code information, or the environmental category on the device.

(5) Multiple Device Markings will be inside parentheses. Only one Device Marking contained in parentheses and separated by a "~" will appear on a device. If a line is indented then it is a continuation of the previous line and the two combined represent the entire Device Marking for that device.

(6) Lead finish/Ball material - Orderable Devices may have multiple material finish options. Finish options are separated by a vertical ruled line. Lead finish/Ball material values may wrap to two lines if the finish value exceeds the maximum column width.

**Important Information and Disclaimer:**The information provided on this page represents TI's knowledge and belief as of the date that it is provided. TI bases its knowledge and belief on information provided by third parties, and makes no representation or warranty as to the accuracy of such information. Efforts are underway to better integrate information from third parties. TI has taken and continues to take reasonable steps to provide representative and accurate information but may not have conducted destructive testing or chemical analysis on incoming materials and chemicals. TI and TI suppliers consider certain information to be proprietary, and thus CAS numbers and other limited information may not be available for release.

In no event shall TI's liability arising out of such information exceed the total purchase price of the TI part(s) at issue in this document sold by TI to Customer on an annual basis.



**TAPE AND REEL INFORMATION**

**QUADRANT ASSIGNMENTS FOR PIN 1 ORIENTATION IN TAPE**


\*All dimensions are nominal

| Device            | Package Type | Package Drawing | Pins | SPQ | Reel Diameter (mm) | Reel Width W1 (mm) | A0 (mm) | B0 (mm) | K0 (mm) | P1 (mm) | W (mm) | Pin1 Quadrant |
|-------------------|--------------|-----------------|------|-----|--------------------|--------------------|---------|---------|---------|---------|--------|---------------|
| SN54SC4T00MPWTSEP | TSSOP        | PW              | 14   | 250 | 330.0              | 12.4               | 6.9     | 5.6     | 1.6     | 8.0     | 12.0   | Q1            |

**TAPE AND REEL BOX DIMENSIONS**


\*All dimensions are nominal

| Device            | Package Type | Package Drawing | Pins | SPQ | Length (mm) | Width (mm) | Height (mm) |
|-------------------|--------------|-----------------|------|-----|-------------|------------|-------------|
| SN54SC4T00MPWTSEP | TSSOP        | PW              | 14   | 250 | 356.0       | 356.0      | 35.0        |

PW (R-PDSO-G14)

PLASTIC SMALL OUTLINE



4040064-3/G 02/11

- NOTES:
- A. All linear dimensions are in millimeters. Dimensioning and tolerancing per ASME Y14.5M-1994.
  - B. This drawing is subject to change without notice.
  -  C. Body length does not include mold flash, protrusions, or gate burrs. Mold flash, protrusions, or gate burrs shall not exceed 0,15 each side.
  -  D. Body width does not include interlead flash. Interlead flash shall not exceed 0,25 each side.
  - E. Falls within JEDEC MO-153

## 重要なお知らせと免責事項

TI は、技術データと信頼性データ（データシートを含みます）、設計リソース（リファレンス・デザインを含みます）、アプリケーションや設計に関する各種アドバイス、Web ツール、安全性情報、その他のリソースを、欠陥が存在する可能性のある「現状のまま」提供しており、商品性および特定目的に対する適合性の黙示保証、第三者の知的財産権の非侵害保証を含むいかなる保証も、明示的または黙示的にかかわらず拒否します。

これらのリソースは、TI 製品を使用する設計の経験を積んだ開発者への提供を意図したものです。(1) お客様のアプリケーションに適した TI 製品の選定、(2) お客様のアプリケーションの設計、検証、試験、(3) お客様のアプリケーションに該当する各種規格や、その他のあらゆる安全性、セキュリティ、規制、または他の要件への確実な適合に関する責任を、お客様のみが単独で負うものとします。

上記の各種リソースは、予告なく変更される可能性があります。これらのリソースは、リソースで説明されている TI 製品を使用するアプリケーションの開発の目的でのみ、TI はその使用をお客様に許諾します。これらのリソースに関して、他の目的で複製することや掲載することは禁止されています。TI や第三者の知的財産権のライセンスが付与されている訳ではありません。お客様は、これらのリソースを自身で使用した結果発生するあらゆる申し立て、損害、費用、損失、責任について、TI およびその代理人を完全に補償するものとし、TI は一切の責任を拒否します。

TI の製品は、[TI の販売条件](#)、または [ti.com](#) やかかる TI 製品の関連資料などのいずれかを通じて提供する適用可能な条項の下で提供されています。TI がこれらのリソースを提供することは、適用される TI の保証または他の保証の放棄の拡大や変更を意味するものではありません。

お客様がいかなる追加条項または代替条項を提案した場合でも、TI はそれらに異議を唱え、拒否します。

郵送先住所：Texas Instruments, Post Office Box 655303, Dallas, Texas 75265  
Copyright © 2024, Texas Instruments Incorporated