

SN65C116xE ±15kV ESD 保護機能搭載、デュアル差動ドライバ/レシーバ

1 特長

- TIA/EIA-422-B および ITU Recommendation V.11 適合以上の性能
- 5V 単一電源で動作
- RS-422 バスピン用 ESD 保護機能
 - ±15kV 人体モデル (HBM)
 - ±8kV IEC 61000-4-2 接触放電
 - ±8kV IEC 61000-4-2 エアギャップ放電
- 小さい消費電流要件: 9mA 以下
- 低パルス スキュー
- レシーバ入力インピーダンス: 17kΩ (標準値)
- レシーバ入力感度: ±200mV
- レシーバ同相入力電圧範囲: -7V~+7V
- グリッチ フリーのパワーアップ/パワーダウン保護機能
- レシーバ 3 ステート出力アクティブ Low イネーブル (SN65C1167E のみ)

2 アプリケーション

- AC / サーボ モーター ドライブ
- ファクトリ オートメーション / 制御
- ワイヤレス インフラ

3 概要

SN65C1167E および SN65C1168E はデュアルドライバとデュアルレシーバで構成されており、RS-422 バスピンを ±15kV の ESD (人体モデル [HBM]) と ±8kV の ESD (IEC61000-4-2 エアギャップ放電および接触放電) から保護できます。これらのデバイスは、TIA/EIA-422-B および ITU Recommendation V.11 の要件を満たしています。

SN65C1167E は、デュアル 3 ステート差動ラインドライバとデュアル 3 ステート差動ラインレシーバを統合しており、どちらも 5V 単一電源で動作します。ドライバとレシーバはそれぞれアクティブ High、アクティブ Low のイネーブルを備えており、それらのイネーブルを外部で互いに接続することで、方向制御として機能させることができます。

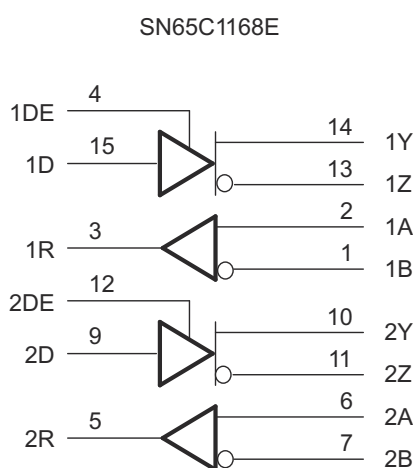
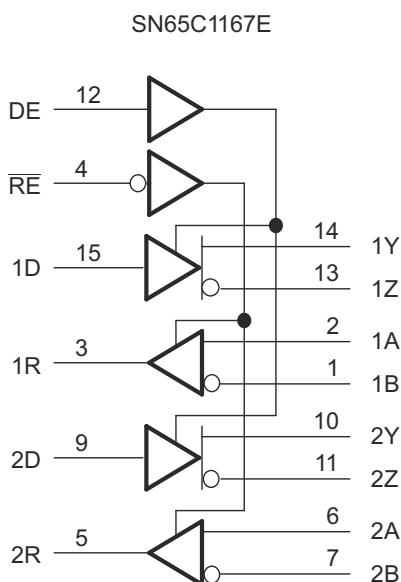
SN65C1168E ドライバは、個別のアクティブ High イネーブルを搭載しています。

パッケージ情報

部品番号	パッケージ (1)	パッケージ サイズ (2)
SN65C116xE	SO (16)	10.3mm × 5.3mm
	TSSOP (16)	5mm × 4.4mm
	VQFN (16)	4mm × 3.5mm

(1) 詳細については、[セクション 11](#) を参照してください。

(2) パッケージ サイズ (長さ × 幅) は公称値であり、該当する場合はピンも含まれます。



Copyright © 2017, Texas Instruments Incorporated

ブロック図



Table of Contents

1 特長	1	7.3 Feature Description.....	11
2 アプリケーション	1	7.4 Device Functional Modes.....	12
3 概要	1	8 Application and Implementation	13
4 Pin Configuration and Functions	3	8.1 Application Information.....	13
5 Specifications	5	8.2 Typical Application.....	14
5.1 Absolute Maximum Ratings.....	5	8.3 Power Supply Recommendations.....	14
5.2 Driver Output and Receiver Input ESD Ratings.....	5	9 Device and Documentation Support	15
5.3 Recommended Operating Conditions.....	6	9.1 Device Support.....	15
5.4 Thermal Information.....	6	9.2 Receiving Notification of Documentation Updates....	15
5.5 Driver Section Electrical Characteristics.....	7	9.3 サポート・リソース.....	15
5.6 Receiver Section Electrical Characteristics.....	7	9.4 Trademarks.....	15
5.7 Driver Section Switching Characteristics.....	8	9.5 静電気放電に関する注意事項.....	15
5.8 Receiver Section Switching Characteristics.....	8	9.6 用語集.....	15
6 Parameter Measurement Information	9	10 Revision History	15
7 Detailed Description	11	11 Mechanical, Packaging, and Orderable Information	16
7.1 Overview.....	11		
7.2 Functional Block Diagram.....	11		

4 Pin Configuration and Functions

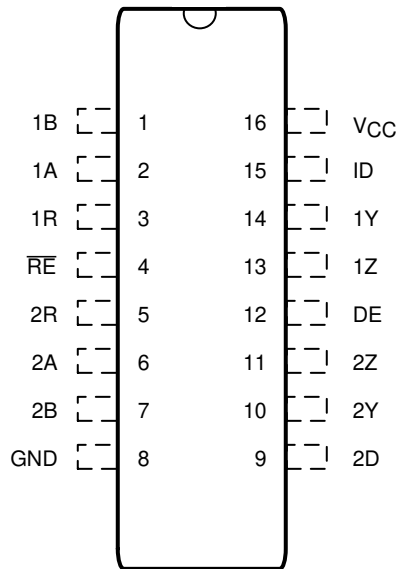


图 4-1. NS or PW Package 16 Pin (NS or TSSOP) Top View

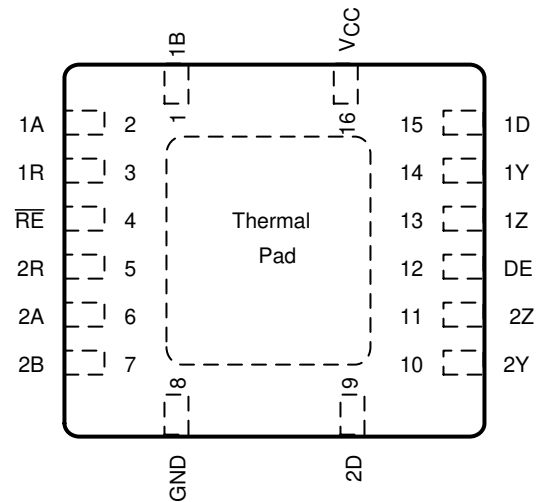
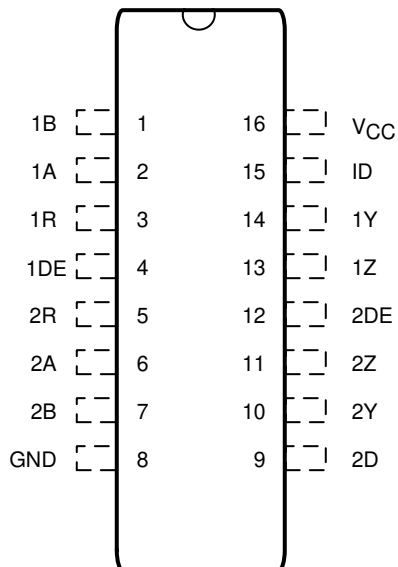


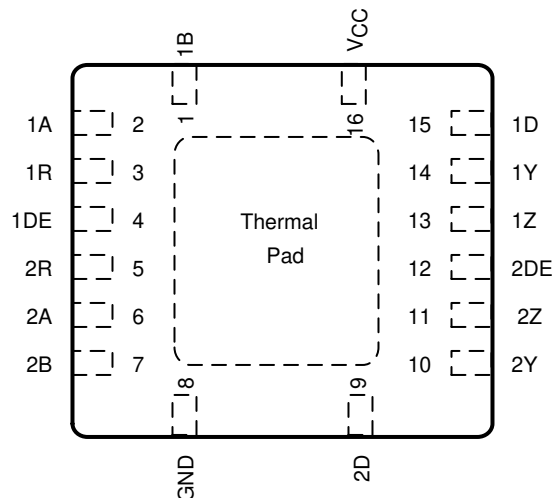
图 4-2. RGY Package 16 Pin (VQFN) Top View

表 4-1. Pin Functions, SN65C1167E

NAME	PIN			I/O	DESCRIPTION
	SO	TSSOP	VQFN		
1A	2	2	2	I	RS422 differential input (noninverting) to receiver 1
2A	6	6	6	I	RS422 differential input (noninverting) to receiver 2
1B	1	1	1	I	RS422 differential input (inverting) to receiver 1
2B	7	7	7	I	RS422 differential input (inverting) to receiver 2
1D	15	15	15	I	Logic data input to RS422 driver 1
2D	9	9	9	I	Logic data input to RS422 driver 2
DE	12	12	12	I	Driver enable (active high)
GND	8	8	8	—	Device ground pin
1R	3	3	3	O	Logic data output of RS422 receiver 1
2R	5	5	5	O	Logic data output of RS422 receiver 2
RE	4	4	4	I	Receiver enable pin (active low)
V _{CC}	16	16	16	—	Power supply
1Y	14	14	14	O	RS-422 differential (noninverting) driver output 1
2Y	10	10	10	O	RS-422 differential (noninverting) driver output 2
1Z	13	13	13	O	RS-422 differential (inverting) driver output 1
2Z	11	11	11	O	RS-422 differential (inverting) driver output 2



☒ 4-3. NS or PW Package 16 Pin (NS or TSSOP) Top View



☒ 4-4. RGY Package 16 Pin (VQFN) Top View

表 4-2. Pin Functions, SN65C1168E

NAME	PIN			I/O	DESCRIPTION
	SO	TSSOP	VQFN		
1A	2	2	2	I	RS422 differential input (noninverting) to receiver 1
2A	6	6	6	I	RS422 differential input (noninverting) to receiver 2
1B	1	1	1	I	RS422 differential input (inverting) to receiver 1
2B	7	7	7	I	RS422 differential input (inverting) to receiver 2
1D	15	15	15	I	Logic data input to RS422 driver 1
2D	9	9	9	I	Logic data input to RS422 driver 2
1DE	4	4	4	I	Driver 1 enable (active high)
2DE	12	12	12	I	Driver 2 enable (active high)
GND	8	8	8	—	Device ground
1R	3	3	3	O	Logic data output of RS422 receiver 1
2R	5	5	5	O	Logic data output of RS422 receiver 2
V _{CC}	16	16	16	—	Power supply
1Y	14	14	14	O	RS-422 differential (noninverting) driver output 1
2Y	10	10	10	O	RS-422 differential (noninverting) driver output 2
1Z	13	13	13	O	RS-422 differential (noninverting) driver output 1
2Z	11	11	11	O	RS-422 differential (noninverting) driver output 2

5 Specifications

5.1 Absolute Maximum Ratings

over recommended operating free-air temperature range (unless otherwise noted) ⁽¹⁾

		MIN	MAX	UNIT	
V _{CC}	Supply voltage ⁽²⁾	-0.5	7	V	
V _I	Input voltage	Driver, DE, RE	-0.5	7	V
		A or B, Receiver	-14	14	
V _{ID}	Differential input voltage ⁽³⁾	Receiver	-14	14	V
V _O	Output voltage	Driver	-0.5	7	V
		Receiver	-0.5	V _{CC} + 0.5	
I _{IK}	Input clamp current	Driver, V _I < 0		-20	mA
I _{OK}	Output clamp current	Driver, V _O < 0		-20	mA
		Receiver		±20	
I _O	Output current	Driver		±150	mA
		Receiver		±25	
I _{CC}	Supply current			200	mA
		GND current		-200	
T _J	Operating virtual junction temperature			150	°C
T _A	Operating free-air temperature	-40	85		°C
T _{stg}	Storage temperature	-65	150		°C

- (1) Stresses beyond those listed under "absolute maximum ratings" may cause permanent damage to the device. These are stress ratings only, and functional operation of the device at these or any other conditions beyond those indicated under "recommended operating conditions" is not implied. Exposure to absolute-maximum-rated conditions for extended periods may affect device reliability.
- (2) All voltage values except differential input voltage are with respect to the network GND.
- (3) Differential input voltage is measured at the noninverting terminal, with respect to the inverting terminal.

5.2 Driver Output and Receiver Input ESD Ratings

		VALUE	UNIT	
V _(ESD)	Electrostatic discharge	Human-body model (HBM), per ANSI/ESDA/JEDEC JS-001 ⁽¹⁾	±15000	V
		Charged-device model (CDM), per JEDEC specification JESD22-C101 ⁽²⁾	±1000	
		IEC 61000-4-2, air-gap discharge	±8000	
		IEC 61000-4-2, contact discharge	±8000	

- (1) JEDEC document JEP155 states that 500V HBM allows safe manufacturing with a standard ESD control process.
- (2) JEDEC document JEP157 states that 250V CDM allows safe manufacturing with a standard ESD control process.

5.3 Recommended Operating Conditions

		MIN	NOM	MAX	UNIT
V _{CC}	Supply voltage	4.5	5	5.5	V
V _{IC}	Common-mode input voltage ⁽¹⁾			±7	V
V _{ID}	Differential input voltage			±7	V
V _I	Input voltage	0		5.5	V
V _O	Output voltage	0		V _{CC}	V
V _{IH}	High-level input voltage	2			V
V _{IL}	Low-level input voltage			0.8	V
I _{OH}	High-level output current	Receiver		-6	mA
		Driver		-20	
I _{OL}	Low-level output current	Receiver		6	mA
		Driver		20	
T _A	Operating free-air temperature	-40		85	°C

(1) Refer to TIA/EIA-422-B for exact conditions.

5.4 Thermal Information

THERMAL METRIC ⁽¹⁾	SN65C116xE			UNIT	
	SO (NS)	PW (TSSOP)	RGY (VQFN)		
	16 PINS	16 PINS	16 PINS		
R _{θJA}	Junction-to-ambient thermal resistance	88.5	107.5	48.4	°C/W
R _{θJC(top)}	Junction-to-case (top) thermal resistance	46.2	38.4	46.4	°C/W
R _{θJB}	Junction-to-board thermal resistance	50.7	53.7	24.6	°C/W
ψ _{JT}	Junction-to-top characterization parameter	13.5	3.2	2.3	°C/W
ψ _{JB}	Junction-to-board characterization parameter	50.3	53.1	24.5	°C/W
R _{θJC(bot)}	Junction-to-case (bottom) thermal resistance	n/a	n/a	8.5	°C/W

(1) For more information about traditional and new thermal metrics, see the *Semiconductor and IC Package Thermal Metrics* application report, [SPRA953](#).

5.5 Driver Section Electrical Characteristics

over recommended supply voltage and operating free-air temperature ranges (unless otherwise noted)

PARAMETER		TEST CONDITIONS	MIN	TYP ⁽¹⁾	MAX	UNIT
V _{IK}	Input clamp voltage	I _I = -18mA			-1.5	V
V _{OH}	High-level output voltage	V _{IH} = 2V, V _{IL} = 0.8V, I _{OH} = -20mA	2.4	3.5		V
V _{OL}	Low-level output voltage	V _{IH} = 2V, V _{IL} = 0.8V, I _{OL} = 20mA		0.2	0.4	V
V _{OD1}	Differential output voltage 1	I _O = 0mA	2		6	V
V _{OD2}	Differential output voltage 2	R _L = 100Ω, See Figure 6-1 (2)	2	3.7		V
Δ V _{OD}	Change in magnitude of differential output voltage	R _L = 100Ω, See Figure 6-1 (2)			±0.4	V
V _{OC}	Common-mode output voltage	R _L = 100Ω, See Figure 6-1 (2)			±3	V
Δ V _{OC}	Change in magnitude of common-mode output voltage	R _L = 100Ω, See Figure 6-1 (2)			±0.4	V
I _{O(OFF)}	Output current with power off	V _{CC} = 0V V _O = 6V V _O = -0.25V			100 100	μA
I _{OZ}	High-impedance-state output current	V _O = 2.5V V _O = 5V			20 -20	μA
I _{IH}	High-level input current	V _I = V _{CC} or V _{IH}			1	μA
I _{IL}	Low-level input current	V _I = GND or V _{IL}			-1	μA
I _{OS}	Short-circuit output current	V _O = V _{CC} or GND ⁽³⁾	-30		-150	mA
I _{CC}	Supply current (total package)	No load, Enabled V _I = V _{CC} or GND V _I = 2.4 or 0.5V ⁽⁴⁾		4 5	6 9	mA
C _i	Input capacitance			6		pF

- (1) All typical values are at V_{CC} = 5V and T_A = 25°C.
- (2) Refer to TIA/EIA-422-B for exact conditions.
- (3) Not more than one output should be shorted at a time, and the duration of the short circuit should not exceed one second.
- (4) This parameter is measured per input, while the other inputs are at V_{CC} or GND.

5.6 Receiver Section Electrical Characteristics

over recommended ranges of common-mode input voltage, supply voltage, and operating free-air temperature (unless otherwise noted)

PARAMETER		TEST CONDITIONS	MIN	TYP ⁽¹⁾	MAX	UNIT
V _{IT+}	Positive-going input threshold voltage, differential input				0.2	V
V _{IT-}	Negative-going input threshold voltage, differential input		-0.2 ⁽²⁾			V
V _{hys}	Input hysteresis (V _{IT+} - V _{IT-})			60		mV
V _{IK}	Input clamp voltage, RE	SN65C1167E I _I = -18mA			-1.5	V
V _{OH}	High-level output voltage	V _{ID} = 200mV, I _{OH} = -6mA	3.8	4.2		V
V _{OL}	Low-level output voltage	V _{ID} = -200mV, I _{OL} = 6mA		0.1	0.3	V
I _{OZ}	High-impedance state output current	SN65C1167E V _O = V _{CC} or GND		±0.5	±5	μA
I _I	Line input current	Other input at 0V V _I = 10V V _I = -10V			1.5 -2.5	mA
I _I	Enable input current, RE	SN65C1167E V _I = V _{CC} or GND			±1	μA
r _I	Input resistance	V _{IC} = -7V to 7V, Other input at 0V	4	17		kΩ
I _{CC}	Supply current (total package)	No load, Enabled V _I = V _{CC} or GND V _{IH} = 2.4V or 0.5V ⁽³⁾		4 5	6 9	mA

- (1) All typical values are at V_{CC} = 5V and T_A = 25°C.
- (2) The algebraic convention, where the less positive (more negative) limit is designated as minimum, is used in this data sheet for common-mode input voltage and threshold voltage levels only.
- (3) Refer to TIA/EIA-422-B for exact conditions.

5.7 Driver Section Switching Characteristics

over recommended supply voltage and operating free-air temperature ranges (unless otherwise noted)

PARAMETER		TEST CONDITIONS		MIN	TYP ⁽¹⁾	MAX	UNIT
t _{PHL}	Propagation delay time, high- to low-level output	R1 = R2 = 50Ω, C1 = C2 = C3 = 40pF, See 6-2	R3 = 500Ω, S1 is open,		8	16	ns
t _{PLH}	Propagation delay time, low- to high-level output				8	16	ns
t _{sk(p)}	Pulse skew				1.5	4	ns
t _r	Rise time	R1 = R2 = 50Ω, C1 = C2 = C3 = 40pF, See 6-3	R3 = 500Ω, S1 is open,		5	8	ns
t _f	Fall time				5	8	ns
t _{PZH}	Output-enable time to high level	R1 = R2 = 50Ω, C1 = C2 = C3 = 40pF, See 6-4	R3 = 500Ω, S1 is closed,		10	19	ns
t _{PZL}	Output-enable time to low level				10	19	ns
t _{PHZ}	Output-disable time from high level	R1 = R2 = 50Ω, C1 = C2 = C3 = 40pF, See 6-4	R3 = 500Ω, S1 is closed,		7	16	ns
t _{PLZ}	Output-disable time from low level				7	16	ns
f _{SW}	Maximum switching frequency	R1 = R2 = 50Ω, C1 = C2 = C3 = 40pF, See 6-3	R3 = 500Ω, S1 is open,	20			MHz

(1) All typical values are at V_{CC} = 5V and T_A = 25°C.

5.8 Receiver Section Switching Characteristics

over recommended operating free-air temperature range (unless otherwise noted)⁽²⁾

PARAMETER		TEST CONDITIONS		MIN	TYP ⁽¹⁾	MAX	UNIT
t _{PLH}	Propagation delay time, low- to high-level output	See 6-5		9	15	27	ns
t _{PHL}	Propagation delay time, high- to low-level output	See 6-5		9	15	27	ns
t _{TLH}	Transition time, low- to high-level output	V _{IC} = V, See 6-5			4	9	ns
t _{THL}	Transition time, high- to low-level output				4	9	ns
t _{PZH}	Output-enable time to high level	SN65C1167E	R _L = 1kΩ, C _L = 50pF See 6-6		7	22	ns
t _{PZL}	Output-enable time to low level				7	22	ns
t _{PHZ}	Output-disable time from high level				12	22	ns
t _{PLZ}	Output-disable time from low level				12	22	ns

(1) All typical values are at V_{CC} = 5V and T_A = 25°C.

(2) Measured per input while the other inputs are at V_{CC} or GND

6 Parameter Measurement Information

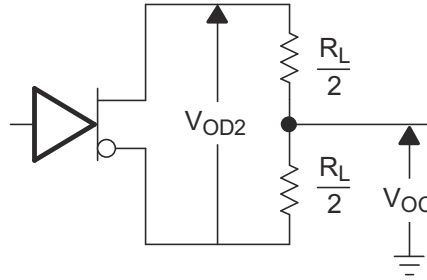
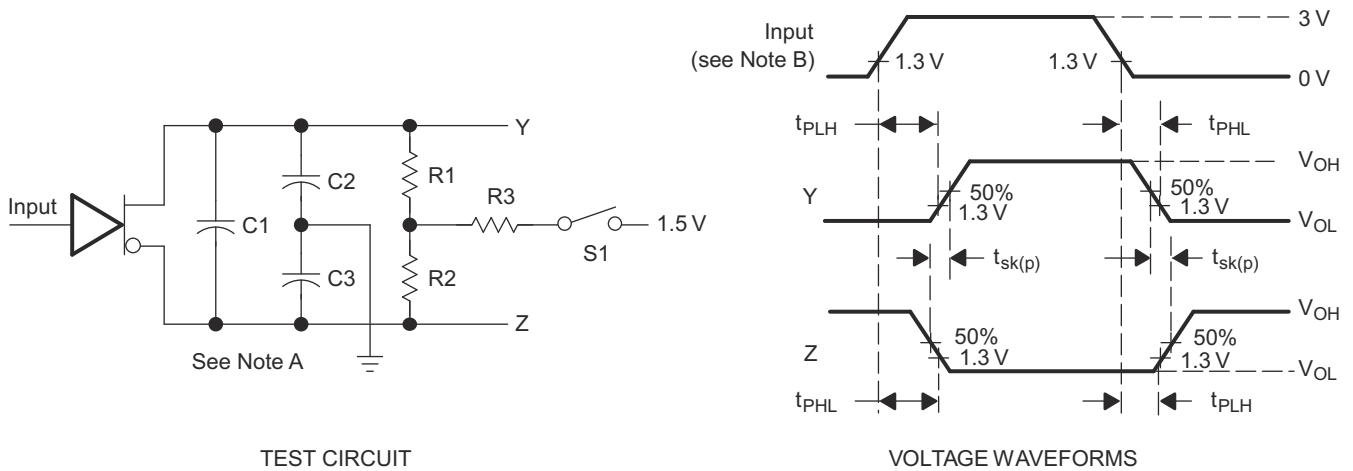
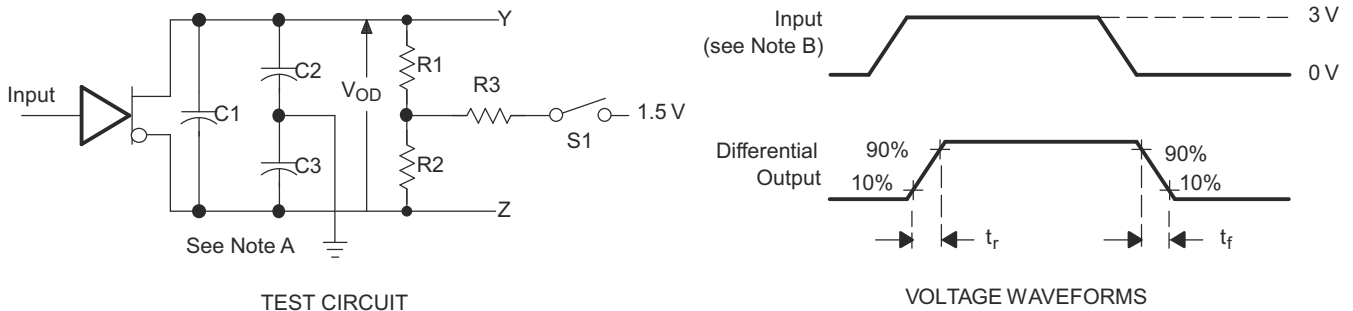


图 6-1. Driver Test Circuit, V_{OD} and V_{OC}



- A. C1, C2, and C3 include probe and jig capacitance.
B. The input pulse is supplied by a generator having the following characteristics: PRR = 1 MHz, duty cycle = 50%, $t_r = t_f \leq 6$ ns.

图 6-2. Driver Test Circuit and Voltage Waveforms

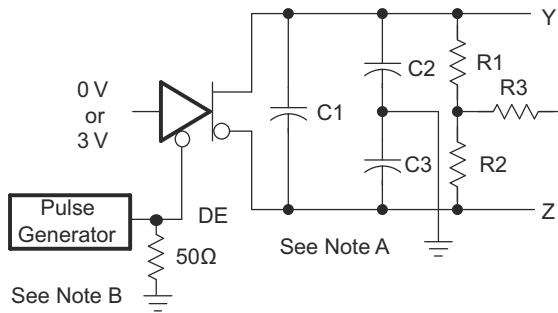


- A. C1, C2, and C3 include probe and jig capacitance.
B. The input pulse is supplied by a generator having the following characteristics: PRR = 1 MHz, duty cycle = 50%, $t_r = t_f \leq 6$ ns.

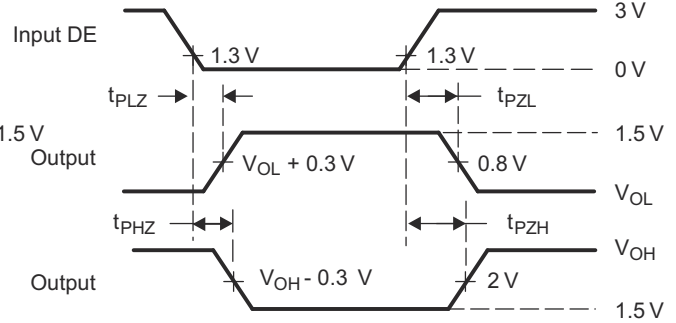
图 6-3. Driver Test Circuit and Voltage Waveforms

SN65C1167E, SN65C1168E

JAJSSZ6C – MARCH 2007 – REVISED FEBRUARY 2024



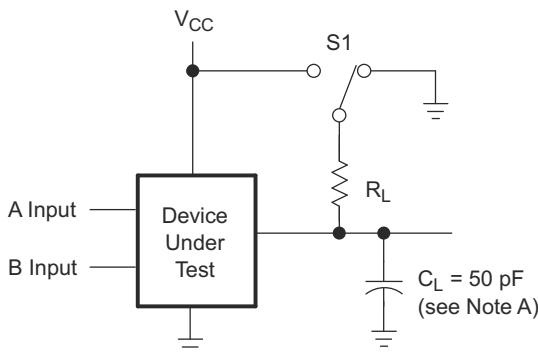
TEST CIRCUIT



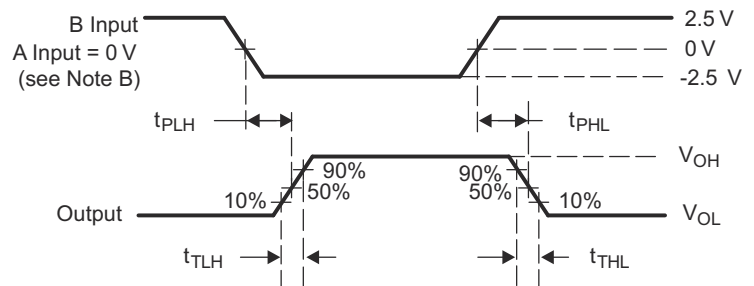
VOLTAGE WAVEFORMS

- A. C1, C2, and C3 include probe and jig capacitance.
- B. The input pulse is supplied by a generator having the following characteristics: PRR = 1 MHz, duty cycle = 50%, $t_r = t_f \leq 6\text{ns}$.

6-4. Driver Test Circuit and Voltage Waveforms



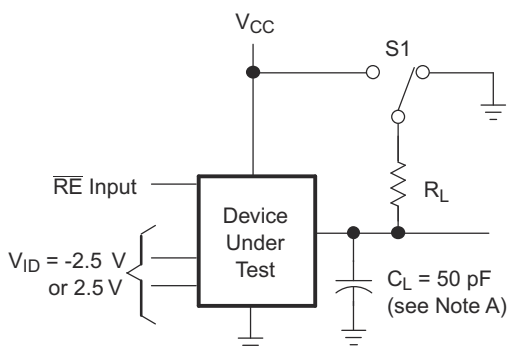
TEST CIRCUIT



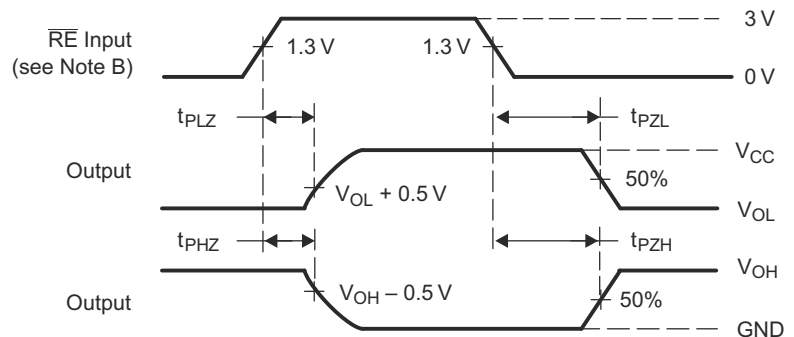
VOLTAGE WAVEFORMS

- A. C1, C2, and C3 include probe and jig capacitance.
- B. The input pulse is supplied by a generator having the following characteristics: PRR = 1 MHz, duty cycle = 50%, $t_r = t_f \leq 6\text{ns}$.

6-5. Receiver Test Circuit and Voltage Waveforms



TEST CIRCUIT



t_{PLZ}, t_{PZL} Measurement: S1 to V_{CC}
t_{PZH}, t_{PHZ} Measurement: S1 to GND

VOLTAGE WAVEFORMS

- A. C1, C2, and C3 include probe and jig capacitance.
- B. The input pulse is supplied by a generator having the following characteristics: PRR = 1 MHz, duty cycle = 50%, $t_r = t_f \leq 6\text{ns}$.

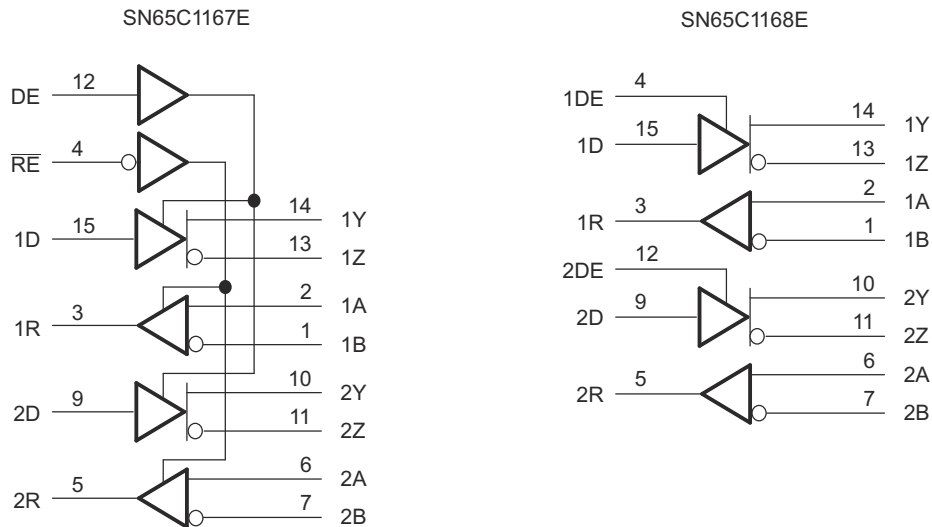
6-6. Receiver Test Circuit and Voltage Waveforms

7 Detailed Description

7.1 Overview

The SN65C1167E and SN65C1168E consist of dual drivers and dual receivers powered from a single 5V supply. These devices meet the requirements of TIA/EIA-422-B and ITU recommendation V.11.

7.2 Functional Block Diagram



Copyright © 2017, Texas Instruments Incorporated

7.3 Feature Description

7.3.1 Active High Driver Output Enables

Both drivers of SN65C1167E can be configured with the single DE logic input. Both drivers are set at high-impedance when disabled.

SN65C1168E drivers can be configured individually by 1DE and 2DE logic inputs. Both drivers are set at high-impedance when disabled.

7.3.2 Active Low Receiver Enables

Both SN65C1167E receivers can be configured with the single RE logic input. Receiver logic outputs are set at high-impedance when disabled.

7.4 Device Functional Modes

表 7-1 and 表 7-2 list the functional modes of SN65C1167E and SN65C1168E.

表 7-1. Each Driver

INPUT D	ENABLE DE	OUTPUTS	
		Y	Z
H	H	H	L
L	H	L	H
X	L	Z	Z

表 7-2. SN65C1167E, Each Receiver⁽¹⁾

DIFFERENTIAL INPUTS A-B	ENABLE RE	OUTPUT R
$V_{ID} \geq 0.2\text{ V}$	L	H
$-0.2\text{ V} < V_{ID} < 0.2\text{ V}$	L	?
$V_{ID} \leq -0.2\text{ V}$	L	L
X	H	Z
Open	L	H

(1) H = High level, L = Low level, ? = Indeterminate, X = Irrelevant, Z = High impedance (off)

表 7-3. SN65C1168E, Each Receiver⁽¹⁾

DIFFERENTIAL INPUTS A-B	OUTPUT R
$V_{ID} \geq 0.2\text{ V}$	H
$-0.2\text{ V} < V_{ID} < 0.2\text{ V}$?
$V_{ID} \leq -0.2\text{ V}$	L
Open	H


(1) H = High level, L = Low level, ? = Indeterminate

8 Application and Implementation

注

以下のアプリケーション情報は、TI の製品仕様に含まれるものではなく、TI ではその正確性または完全性を保証いたしません。個々の目的に対する製品の適合性については、お客様の責任で判断していただくこととなります。お客様は自身の設計実装を検証しテストすることで、システムの機能を確認する必要があります。

8.1 Application Information

 **8-1** shows a typical RS-422 application. One transmitter is able to broadcast to multiple receiving nodes connected together over a shared differential bus. Twisted-pair cabling with a controlled differential impedance is used, and a termination resistance is placed at the farthest receive end of the cable in order to match the transmission line impedance and minimize signal reflections.

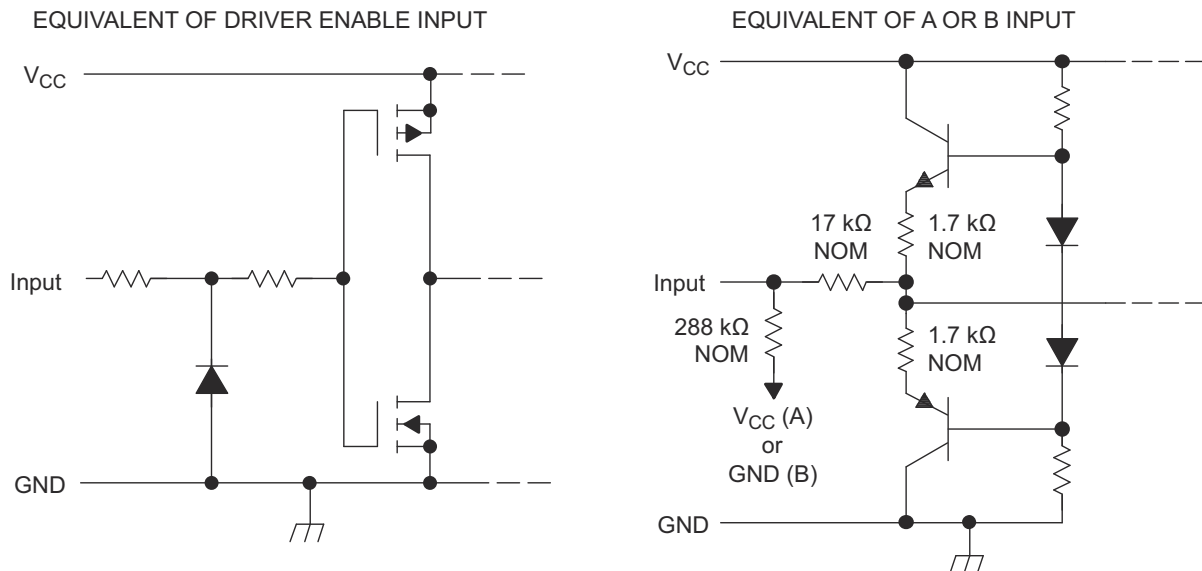


図 8-1. Schematic of Inputs

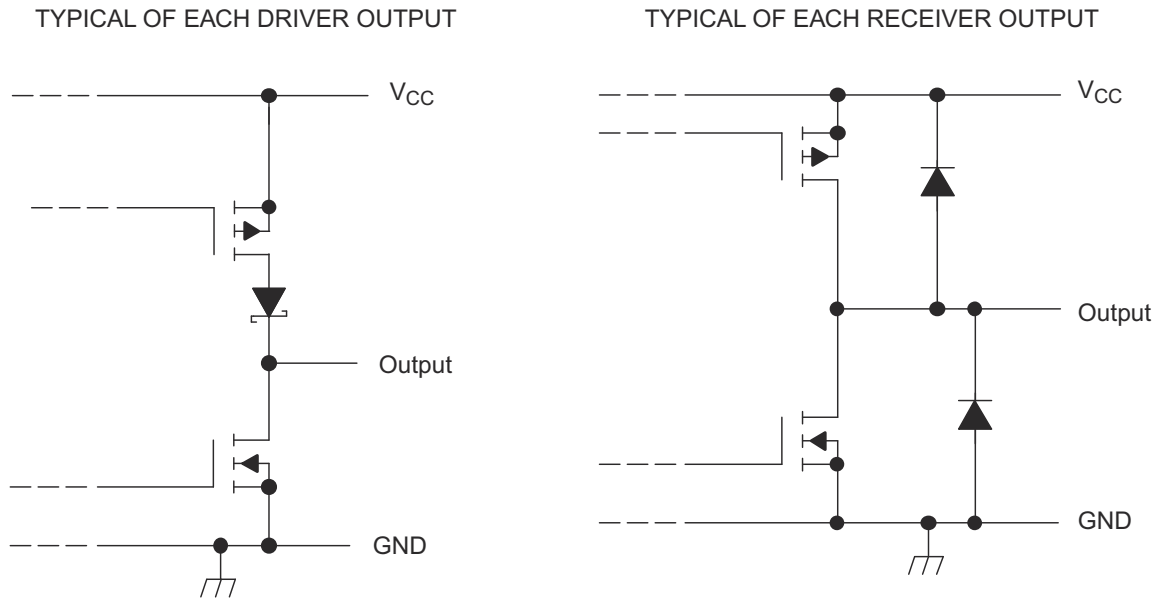


图 8-2. Schematic of Outputs

8.2 Typical Application

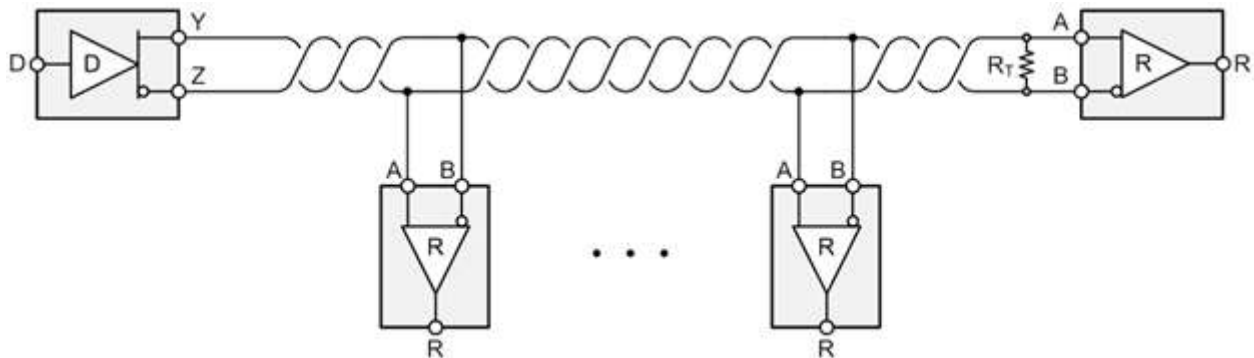


图 8-3. Typical RS-422 Application

8.2.1 Design Requirements

A typical RS-422 implementation using SN65C116xE requires the following:

- 5V power source.
- Connector that ensures the correct polarity for port pins.
- Cabling that supports the desired operating rate and transmission distance.

8.2.2 Detailed Design Procedure

Place the device close to bus connector to keep traces (stub) short to prevent adding reflections to the bus line. If desired, add external fail-safe biasing to ensure ±200 mV on the A-B port when the driver circuit is disabled.

8.3 Power Supply Recommendations

Use a 5V power supply for V_{CC} place 0.1μF bypass capacitors close to the power supply pins to reduce errors coupling in from noisy or high impedance power supplies.

9 Device and Documentation Support

9.1 Device Support

9.2 Receiving Notification of Documentation Updates

To receive notification of documentation updates, navigate to the device product folder on ti.com. In the upper right corner, click on Alert me to register and receive a weekly digest of any product information that has changed. For change details, review the revision history included in any revised document.

9.3 サポート・リソース

テキサス・インスツルメンツ E2E™ サポート・フォーラムは、エンジニアが検証済みの回答と設計に関するヒントをエキスパートから迅速かつ直接得ることができる場所です。既存の回答を検索したり、独自の質問をしたりすることで、設計に必要な支援を迅速に得ることができます。

リンクされているコンテンツは、各寄稿者により「現状のまま」提供されるものです。これらはテキサス・インスツルメンツの仕様を構成するものではなく、必ずしもテキサス・インスツルメンツの見解を反映したものではありません。テキサス・インスツルメンツの [使用条件](#) を参照してください。

9.4 Trademarks

テキサス・インスツルメンツ E2E™ is a trademark of Texas Instruments.

すべての商標は、それぞれの所有者に帰属します。

9.5 静電気放電に関する注意事項



この IC は、ESD によって破損する可能性があります。テキサス・インスツルメンツは、IC を取り扱う際には常に適切な注意を払うことを推奨します。正しい取り扱いおよび設置手順に従わない場合、デバイスを破損するおそれがあります。

ESD による破損は、わずかな性能低下からデバイスの完全な故障まで多岐にわたります。精密な IC の場合、パラメータがわずかに変化するだけで公表されている仕様から外れる可能性があるため、破損が発生しやすくなっています。

9.6 用語集

[テキサス・インスツルメンツ用語集](#) この用語集には、用語や略語の一覧および定義が記載されています。

10 Revision History

資料番号末尾の英字は改訂を表しています。その改訂履歴は英語版に準じています。

Changes from Revision B (May 2017) to Revision C (February 2024)	Page
• 「製品情報」表を「パッケージ情報」表に変更.....	1
• Deleted the thermal packaging information from the <i>Absolute Maximum Ratings</i>	5
• Changed the <i>Thermal Information</i> table.....	6

Changes from Revision A (April 2007) to Revision B (May 2017)	Page
• 「ESD 定格」表、「機能説明」セクション、「デバイスの機能モード」セクション、「アプリケーションと実装」セクション、「電源に関する推奨事項」セクション、「デバイスおよびドキュメントのサポート」セクション、「メカニカル、パッケージ、および注文情報」セクションを追加	1
• Changed the Rise Time Max value From: 10 ns To: 8 ns in the <i>Driver Section Switching Characteristics</i> table.....	8
• Changed the Fall Time Max value From: 10 ns To: 8 ns in the <i>Driver Section Switching Characteristics</i> table.....	8
• Added Maximum switching frequency to the <i>Driver Section Switching Characteristics</i> table.....	8

11 Mechanical, Packaging, and Orderable Information

The following pages include mechanical, packaging, and orderable information. This information is the most current data available for the designated devices. This data is subject to change without notice and revision of this document. For browser-based versions of this data sheet, refer to the left-hand navigation.

重要なお知らせと免責事項

テキサス・インスツルメンツは、技術データと信頼性データ(データシートを含みます)、設計リソース(リファレンス デザインを含みます)、アプリケーションや設計に関する各種アドバイス、Web ツール、安全性情報、その他のリソースを、欠陥が存在する可能性のある「現状のまま」提供しており、商品性および特定目的に対する適合性の黙示保証、第三者の知的財産権の非侵害保証を含むいかなる保証も、明示的または黙示的にかかわらず拒否します。

これらのリソースは、テキサス・インスツルメンツ製品を使用する設計の経験を積んだ開発者への提供を意図したものです。(1) お客様のアプリケーションに適したテキサス・インスツルメンツ製品の選定、(2) お客様のアプリケーションの設計、検証、試験、(3) お客様のアプリケーションに該当する各種規格や、その他のあらゆる安全性、セキュリティ、規制、または他の要件への確実な適合に関する責任を、お客様のみが単独で負うものとします。

上記の各種リソースは、予告なく変更される可能性があります。これらのリソースは、リソースで説明されているテキサス・インスツルメンツ製品を使用するアプリケーションの開発の目的でのみ、テキサス・インスツルメンツはその使用をお客様に許諾します。これらのリソースに関して、他の目的で複製することや掲載することは禁止されています。テキサス・インスツルメンツや第三者の知的財産権のライセンスが付与されている訳ではありません。お客様は、これらのリソースを自身で使用した結果発生するあらゆる申し立て、損害、費用、損失、責任について、テキサス・インスツルメンツおよびその代理人を完全に補償するものとし、テキサス・インスツルメンツは一切の責任を拒否します。

テキサス・インスツルメンツの製品は、[テキサス・インスツルメンツの販売条件](#)、または [ti.com](https://www.ti.com) やかかるテキサス・インスツルメンツ製品の関連資料などのいずれかを通じて提供する適用可能な条項の下で提供されています。テキサス・インスツルメンツがこれらのリソースを提供することは、適用されるテキサス・インスツルメンツの保証または他の保証の放棄の拡大や変更を意味するものではありません。

お客様がいかなる追加条項または代替条項を提案した場合でも、テキサス・インスツルメンツはそれらに異議を唱え、拒否します。

郵送先住所: Texas Instruments, Post Office Box 655303, Dallas, Texas 75265
Copyright © 2024, Texas Instruments Incorporated

PACKAGING INFORMATION

Orderable Device	Status (1)	Package Type	Package Drawing	Pins	Package Qty	Eco Plan (2)	Lead finish/ Ball material (6)	MSL Peak Temp (3)	Op Temp (°C)	Device Marking (4/5)	Samples
SN65C1167ENS	OBSOLETE	SO	NS	16		TBD	Call TI	Call TI	-40 to 85	65C1167E	
SN65C1167ENSR	ACTIVE	SO	NS	16	2000	RoHS & Green	NIPDAU	Level-1-260C-UNLIM	-40 to 85	65C1167E	Samples
SN65C1167EPW	OBSOLETE	TSSOP	PW	16		TBD	Call TI	Call TI	-40 to 85	CB1167E	
SN65C1167EPWR	ACTIVE	TSSOP	PW	16	2000	RoHS & Green	NIPDAU	Level-1-260C-UNLIM	-40 to 85	CB1167E	Samples
SN65C1167ERGYR	ACTIVE	VQFN	RGY	16	3000	RoHS & Green	NIPDAU	Level-1-260C-UNLIM	-40 to 85	CB1167	Samples
SN65C1168ENS	OBSOLETE	SO	NS	16		TBD	Call TI	Call TI	-40 to 85	65C1168E	
SN65C1168ENSR	ACTIVE	SO	NS	16	2000	RoHS & Green	NIPDAU	Level-1-260C-UNLIM	-40 to 85	65C1168E	Samples
SN65C1168EPW	OBSOLETE	TSSOP	PW	16		TBD	Call TI	Call TI	-40 to 85	CB1168E	
SN65C1168EPWR	ACTIVE	TSSOP	PW	16	2000	RoHS & Green	NIPDAU	Level-1-260C-UNLIM	-40 to 85	CB1168E	Samples
SN65C1168EPWRG4	ACTIVE	TSSOP	PW	16	2000	RoHS & Green	NIPDAU	Level-1-260C-UNLIM	-40 to 85	CB1168E	Samples
SN65C1168ERGYR	ACTIVE	VQFN	RGY	16	3000	RoHS & Green	NIPDAU	Level-2-260C-1 YEAR	-40 to 85	CB1168	Samples

(1) The marketing status values are defined as follows:

ACTIVE: Product device recommended for new designs.

LIFEBUY: TI has announced that the device will be discontinued, and a lifetime-buy period is in effect.

NRND: Not recommended for new designs. Device is in production to support existing customers, but TI does not recommend using this part in a new design.

PREVIEW: Device has been announced but is not in production. Samples may or may not be available.

OBSOLETE: TI has discontinued the production of the device.

(2) **RoHS:** TI defines "RoHS" to mean semiconductor products that are compliant with the current EU RoHS requirements for all 10 RoHS substances, including the requirement that RoHS substance do not exceed 0.1% by weight in homogeneous materials. Where designed to be soldered at high temperatures, "RoHS" products are suitable for use in specified lead-free processes. TI may reference these types of products as "Pb-Free".

RoHS Exempt: TI defines "RoHS Exempt" to mean products that contain lead but are compliant with EU RoHS pursuant to a specific EU RoHS exemption.

Green: TI defines "Green" to mean the content of Chlorine (Cl) and Bromine (Br) based flame retardants meet JS709B low halogen requirements of <=1000ppm threshold. Antimony trioxide based flame retardants must also meet the <=1000ppm threshold requirement.

(3) MSL, Peak Temp. - The Moisture Sensitivity Level rating according to the JEDEC industry standard classifications, and peak solder temperature.

(4) There may be additional marking, which relates to the logo, the lot trace code information, or the environmental category on the device.

⁽⁵⁾ Multiple Device Markings will be inside parentheses. Only one Device Marking contained in parentheses and separated by a "~" will appear on a device. If a line is indented then it is a continuation of the previous line and the two combined represent the entire Device Marking for that device.

⁽⁶⁾ Lead finish/Ball material - Orderable Devices may have multiple material finish options. Finish options are separated by a vertical ruled line. Lead finish/Ball material values may wrap to two lines if the finish value exceeds the maximum column width.

Important Information and Disclaimer:The information provided on this page represents TI's knowledge and belief as of the date that it is provided. TI bases its knowledge and belief on information provided by third parties, and makes no representation or warranty as to the accuracy of such information. Efforts are underway to better integrate information from third parties. TI has taken and continues to take reasonable steps to provide representative and accurate information but may not have conducted destructive testing or chemical analysis on incoming materials and chemicals. TI and TI suppliers consider certain information to be proprietary, and thus CAS numbers and other limited information may not be available for release.

In no event shall TI's liability arising out of such information exceed the total purchase price of the TI part(s) at issue in this document sold by TI to Customer on an annual basis.

TAPE AND REEL INFORMATION

QUADRANT ASSIGNMENTS FOR PIN 1 ORIENTATION IN TAPE


*All dimensions are nominal

Device	Package Type	Package Drawing	Pins	SPQ	Reel Diameter (mm)	Reel Width W1 (mm)	A0 (mm)	B0 (mm)	K0 (mm)	P1 (mm)	W (mm)	Pin1 Quadrant
SN65C1167ENSR	SO	NS	16	2000	330.0	16.4	8.2	10.5	2.5	12.0	16.0	Q1
SN65C1167EPWR	TSSOP	PW	16	2000	330.0	12.4	6.9	5.6	1.6	8.0	12.0	Q1
SN65C1167ERGYR	VQFN	RGY	16	3000	330.0	12.4	3.8	4.3	1.5	8.0	12.0	Q1
SN65C1168ENSR	SO	NS	16	2000	330.0	16.4	8.2	10.5	2.5	12.0	16.0	Q1
SN65C1168EPWR	TSSOP	PW	16	2000	330.0	12.4	6.9	5.6	1.6	8.0	12.0	Q1
SN65C1168ERGYR	VQFN	RGY	16	3000	330.0	12.4	3.8	4.3	1.5	8.0	12.0	Q1

TAPE AND REEL BOX DIMENSIONS


*All dimensions are nominal

Device	Package Type	Package Drawing	Pins	SPQ	Length (mm)	Width (mm)	Height (mm)
SN65C1167ENSR	SO	NS	16	2000	356.0	356.0	35.0
SN65C1167EPWR	TSSOP	PW	16	2000	356.0	356.0	35.0
SN65C1167ERGYR	VQFN	RGY	16	3000	367.0	367.0	35.0
SN65C1168ENSR	SO	NS	16	2000	367.0	367.0	38.0
SN65C1168EPWR	TSSOP	PW	16	2000	356.0	356.0	35.0
SN65C1168ERGYR	VQFN	RGY	16	3000	356.0	356.0	35.0

TUBE


*All dimensions are nominal

Device	Package Name	Package Type	Pins	SPQ	L (mm)	W (mm)	T (μm)	B (mm)
SN65C1167EPW	PW	TSSOP	16	90	530	10.2	3600	3.5
SN65C1168ENS	NS	SOP	16	50	530	10.5	4000	4.1
SN65C1168ENSG4	NS	SOP	16	50	530	10.5	4000	4.1
SN65C1168EPW	PW	TSSOP	16	90	530	10.2	3600	3.5



PACKAGE OUTLINE

NS0016A

SOP - 2.00 mm max height

SOP



4220735/A 12/2021

NOTES:

1. All linear dimensions are in millimeters. Dimensions in parenthesis are for reference only. Dimensioning and tolerancing per ASME Y14.5M.
2. This drawing is subject to change without notice.
3. This dimension does not include mold flash, protrusions, or gate burrs. Mold flash, protrusions, or gate burrs shall not exceed 0.15 mm, per side.
4. This dimension does not include interlead flash. Interlead flash shall not exceed 0.25 mm, per side.

EXAMPLE STENCIL DESIGN

NS0016A

SOP - 2.00 mm max height

SOP



SOLDER PASTE EXAMPLE
BASED ON 0.125 mm THICK STENCIL
SCALE:7X

4220735/A 12/2021

NOTES: (continued)

7. Laser cutting apertures with trapezoidal walls and rounded corners may offer better paste release. IPC-7525 may have alternate design recommendations.
8. Board assembly site may have different recommendations for stencil design.



4220204/A 02/2017

NOTES:

1. All linear dimensions are in millimeters. Any dimensions in parenthesis are for reference only. Dimensioning and tolerancing per ASME Y14.5M.
2. This drawing is subject to change without notice.
3. This dimension does not include mold flash, protrusions, or gate burrs. Mold flash, protrusions, or gate burrs shall not exceed 0.15 mm per side.
4. This dimension does not include interlead flash. Interlead flash shall not exceed 0.25 mm per side.
5. Reference JEDEC registration MO-153.

EXAMPLE BOARD LAYOUT

PW0016A

TSSOP - 1.2 mm max height

SMALL OUTLINE PACKAGE



LAND PATTERN EXAMPLE
EXPOSED METAL SHOWN
SCALE: 10X



SOLDER MASK DETAILS

4220204/A 02/2017

NOTES: (continued)

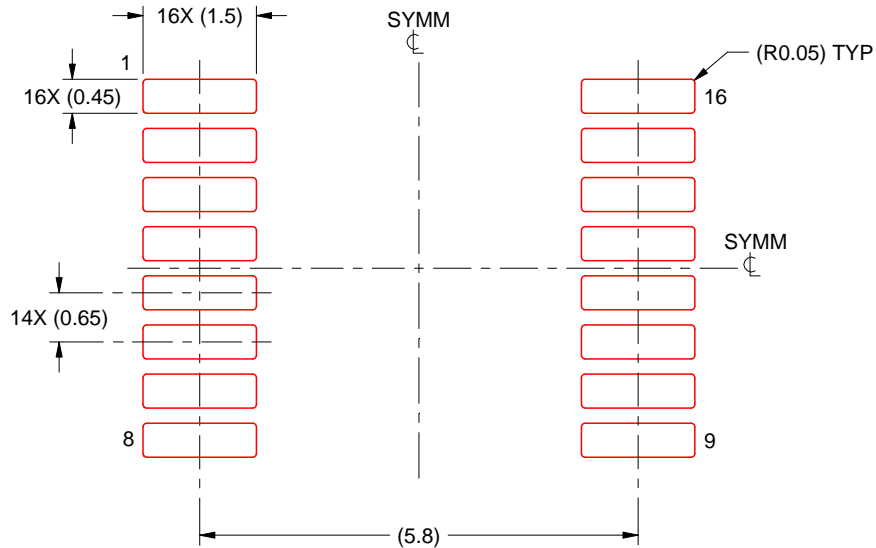
- 6. Publication IPC-7351 may have alternate designs.
- 7. Solder mask tolerances between and around signal pads can vary based on board fabrication site.

EXAMPLE STENCIL DESIGN

PW0016A

TSSOP - 1.2 mm max height

SMALL OUTLINE PACKAGE



SOLDER PASTE EXAMPLE
BASED ON 0.125 mm THICK STENCIL
SCALE: 10X

4220204/A 02/2017

NOTES: (continued)

8. Laser cutting apertures with trapezoidal walls and rounded corners may offer better paste release. IPC-7525 may have alternate design recommendations.
9. Board assembly site may have different recommendations for stencil design.

MECHANICAL DATA

NS (R-PDSO-G**)

PLASTIC SMALL-OUTLINE PACKAGE

14-PINS SHOWN



- NOTES:
- A. All linear dimensions are in millimeters.
 - B. This drawing is subject to change without notice.
 - C. Body dimensions do not include mold flash or protrusion, not to exceed 0,15.

RGY (R-PVQFN-N16)

PLASTIC QUAD FLATPACK NO-LEAD



4203539-3/1 06/2011

- NOTES:
- All linear dimensions are in millimeters. Dimensioning and tolerancing per ASME Y14.5M-1994.
 - This drawing is subject to change without notice.
 - QFN (Quad Flatpack No-Lead) package configuration.
 - The package thermal pad must be soldered to the board for thermal and mechanical performance.
 - See the additional figure in the Product Data Sheet for details regarding the exposed thermal pad features and dimensions.
 - Pin 1 identifiers are located on both top and bottom of the package and within the zone indicated. The Pin 1 identifiers are either a molded, marked, or metal feature.
 - Package complies to JEDEC MO-241 variation BA.

RGY (R-PVQFN-N16)

PLASTIC QUAD FLATPACK NO-LEAD

THERMAL INFORMATION

This package incorporates an exposed thermal pad that is designed to be attached directly to an external heatsink. The thermal pad must be soldered directly to the printed circuit board (PCB). After soldering, the PCB can be used as a heatsink. In addition, through the use of thermal vias, the thermal pad can be attached directly to the appropriate copper plane shown in the electrical schematic for the device, or alternatively, can be attached to a special heatsink structure designed into the PCB. This design optimizes the heat transfer from the integrated circuit (IC).

For information on the Quad Flatpack No-Lead (QFN) package and its advantages, refer to Application Report, QFN/SON PCB Attachment, Texas Instruments Literature No. SLUA271. This document is available at www.ti.com.

The exposed thermal pad dimensions for this package are shown in the following illustration.



Bottom View

Exposed Thermal Pad Dimensions

4206353-3/P 03/14

NOTE: All linear dimensions are in millimeters

RGY (R-PVQFN-N16)

PLASTIC QUAD FLATPACK NO-LEAD



4208122-3/P 03/14

- NOTES:
- A. All linear dimensions are in millimeters.
 - B. This drawing is subject to change without notice.
 - C. Publication IPC-7351 is recommended for alternate designs.
 - D. This package is designed to be soldered to a thermal pad on the board. Refer to Application Note, Quad Flat-Pack QFN/SON PCB Attachment, Texas Instruments Literature No. SLUA271, and also the Product Data Sheets for specific thermal information, via requirements, and recommended board layout. These documents are available at www.ti.com <<http://www.ti.com>>.
 - E. Laser cutting apertures with trapezoidal walls and also rounding corners will offer better paste release. Customers should contact their board assembly site for stencil design recommendations. Refer to IPC 7525 for stencil design considerations.
 - F. Customers should contact their board fabrication site for minimum solder mask web tolerances between signal pads.

重要なお知らせと免責事項

TI は、技術データと信頼性データ（データシートを含みます）、設計リソース（リファレンス・デザインを含みます）、アプリケーションや設計に関する各種アドバイス、Web ツール、安全性情報、その他のリソースを、欠陥が存在する可能性のある「現状のまま」提供しており、商品性および特定目的に対する適合性の黙示保証、第三者の知的財産権の非侵害保証を含むいかなる保証も、明示的または黙示的にかかわらず拒否します。

これらのリソースは、TI 製品を使用する設計の経験を積んだ開発者への提供を意図したものです。(1) お客様のアプリケーションに適した TI 製品の選定、(2) お客様のアプリケーションの設計、検証、試験、(3) お客様のアプリケーションに該当する各種規格や、その他のあらゆる安全性、セキュリティ、規制、または他の要件への確実な適合に関する責任を、お客様のみが単独で負うものとし、

上記の各種リソースは、予告なく変更される可能性があります。これらのリソースは、リソースで説明されている TI 製品を使用するアプリケーションの開発の目的でのみ、TI はその使用をお客様に許諾します。これらのリソースに関して、他の目的で複製することや掲載することは禁止されています。TI や第三者の知的財産権のライセンスが付与されている訳ではありません。お客様は、これらのリソースを自身で使用した結果発生するあらゆる申し立て、損害、費用、損失、責任について、TI およびその代理人を完全に補償するものとし、TI は一切の責任を拒否します。

TI の製品は、[TI の販売条件](#)、または [ti.com](#) やかかる TI 製品の関連資料などのいずれかを通じて提供する適用可能な条項の下で提供されています。TI がこれらのリソースを提供することは、適用される TI の保証または他の保証の放棄の拡大や変更を意味するものではありません。

お客様がいかなる追加条項または代替条項を提案した場合でも、TI はそれらに異議を唱え、拒否します。

郵送先住所：Texas Instruments, Post Office Box 655303, Dallas, Texas 75265
Copyright © 2024, Texas Instruments Incorporated