

TCA9548A-Q1 リセット機能搭載、車載用 8 チャンネル I²C スイッチ

1 特長

- AEC-Q100 (グレード 1): 車載アプリケーション認定済み
- 機能安全対応
 - 機能安全システムの設計に役立つ資料を利用可能
- 1 対 8 の双方向変換スイッチ
- I²C バスおよび SMBus 互換
- アクティブ LOW のリセット入力
- 3 本のアドレス・ピンにより、最大 8 個の TCA9548A-Q1 デバイスを I²C バスに接続可能
- I²C バス経由で、任意の組み合わせのチャンネルを選択可能
- 電源オン時にすべてのスイッチ・チャンネルを選択解除
- 低い R_{ON} のスイッチ
- 1.8V、2.5V、3.3V、5V のバス間での電圧レベル変換が可能
- 電源オン時のグリッチなし
- 活線挿抜をサポート
- 低い静止電流
- 1.65V~5.25V の動作電源電圧範囲
- 5V 許容の入力
- 0~400kHz のクロック周波数
- JESD 78、Class II 準拠で 100mA 超のラッチアップ性能

2 アプリケーション

- インフォテインメント
- 車体および制御
- ルーター (テレコム・スイッチング機器)
- ファクトリ・オートメーション
- I²C ターゲット・アドレス競合がある製品 (例: 複数の同じ温度センサ)

3 概要

TCA9548A-Q1 デバイスは、I²C バスで制御される 8 つの双方向変換スイッチを備えています。SCL/SDA アップストリーム・ペアが 8 つのダウンストリーム・ペア (チャンネル) にファンアウトされます。プログラム可能な制御レジスタの設定により、個別の SC_n/SD_n チャンネルまたは複数のチャンネルの組み合わせを選択できます。これらのダウンストリーム・チャンネルを使用して、I²C ターゲット・アドレスの競合を解決できます。たとえば、アプリケーションで 8 つの同じデジタル温度センサを必要とする場合、0~7 の各チャンネルにセンサを 1 つずつ接続できます。

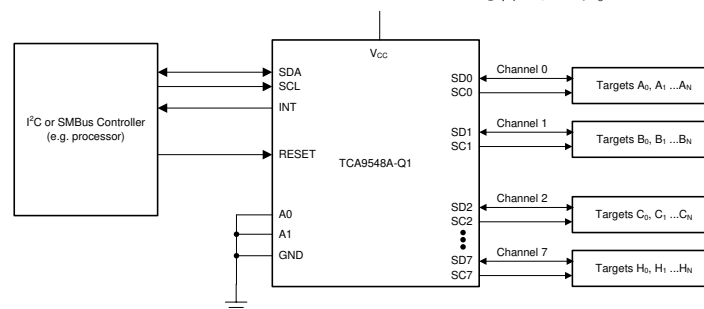
システム・コントローラは、タイムアウトまたはその他の不適切な動作が発生した場合、RESET 入力を LOW にアサートすることで TCA9548A-Q1 をリセットできます。同様に、パワーオン・リセットではすべてのチャンネルが選択解除され、I²C/SMBus ステート・マシンが初期化されます。RESET をアサートすると、デバイスを電源オフせずに、同じリセットと初期化が行われます。これにより、いずれかのダウンストリーム I²C バスが LOW 状態で停止した場合でも回復できます。

スイッチのパス・ゲートは、TCA9548A-Q1 から渡される HIGH 電圧の最大値を VCC ピンで制限できるように構成されています。最大 HIGH 電圧の制限により、ペアごとに異なるバス電圧を使用できるため、1.8V、2.5V、3.3V の部品が、追加保護の必要なしに 5V の部品と通信できます。外付けのプルアップ抵抗により、各チャンネルに求められる電圧レベルにバスをプルアップします。すべての I/O ピンは 5V 許容です。

パッケージ情報

部品番号	パッケージ ⁽¹⁾	パッケージ・サイズ ⁽²⁾
TCA9548A-Q1	VQFN (24)	4mm × 4mm

- (1) 利用可能なすべてのパッケージについては、データシートの末尾にある注文情報を参照してください。
- (2) パッケージ・サイズ (長さ × 幅) は公称値であり、該当する場合はピンも含まれます。



代表的なアプリケーション



Table of Contents

1 特長	1	8 Detailed Description	11
2 アプリケーション	1	8.1 Overview.....	11
3 概要	1	8.2 Functional Block Diagram.....	12
4 Revision History	2	8.3 Feature Description.....	12
5 Pin Configuration and Functions	3	8.4 Device Functional Modes.....	13
6 Specifications	4	8.5 Programming.....	13
6.1 Absolute Maximum Ratings.....	4	9 Layout	24
6.2 ESD Ratings.....	4	9.1 Layout Guidelines.....	24
6.3 Recommended Operating Conditions.....	4	9.2 Layout Example.....	24
6.4 Thermal Information.....	4	10 Device and Documentation Support	25
6.5 Electrical Characteristics.....	5	10.1 Documentation Support.....	25
6.6 I ² C Interface Timing Requirements.....	6	10.2 ドキュメントの更新通知を受け取る方法.....	25
6.7 Reset Timing Requirements.....	7	10.3 サポート・リソース.....	25
6.8 Switching Characteristics.....	7	10.4 商標.....	25
6.9 Typical Characteristics.....	8	10.5 静電気放電に関する注意事項.....	25
7 Parameter Measurement Information	9	10.6 用語集.....	25

4 Revision History

資料番号末尾の英字は改訂を表しています。その改訂履歴は英語版に準じています。

Changes from Revision B (October 2021) to Revision C (June 2023)	Page
• 「製品情報」表を「パッケージ情報」表に変更.....	1
• Added T _J Max Junction Temperature for V _{CC} ≤ 3.6 V in the <i>Absolute Maximum Ratings</i>	4
• Added T _A Operating free-air temperature at V _{CC} ≤ 3.6 V in the <i>Recommended Operating Conditions</i>	4
• Added I _{CC} Standby Mode at 85°C to 125°C in the <i>Electrical Characteristics</i>	5

Changes from Revision A (November 2019) to Revision B (October 2021)	Page
• 「特長」に「機能安全対応」を追加	1
• 車載用機能にグレード 1 を追加し、温度グレード 3: -40°C ~ +85°C、T _A を削除	1
• 旧式の用語を使用している場合、文書全体にわたってコントローラおよびターゲットに変更.....	1

Changes from Revision * (May 2019) to Revision A (November 2019)	Page
• V _{CC} value missing, added V _{CC} = 2.5 V in 図 9-1	19

5 Pin Configuration and Functions

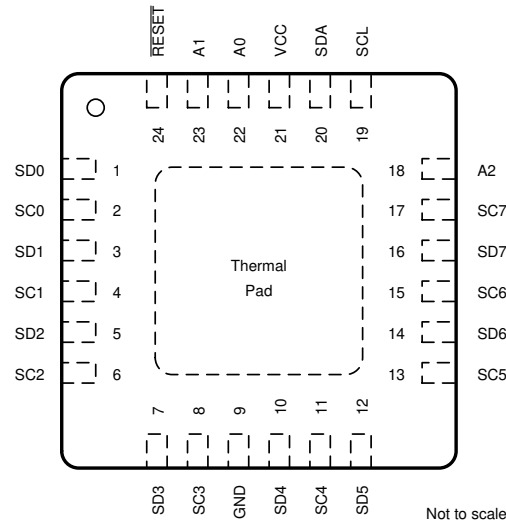


图 5-1. RGE Package, 24-Pin VQFN, Top View

表 5-1. Pin Functions

PIN		TYPE	DESCRIPTION
NAME	QFN (RGE)		
A0	22	I	Address input 0. Connect directly to V_{CC} or ground
A1	23	I	Address input 1. Connect directly to V_{CC} or ground
A2	18	I	Address input 2. Connect directly to V_{CC} or ground
GND	9	—	Ground
RESET	24	I	Active-low reset input. Connect to V_{CC} or V_{DPUM} ⁽¹⁾ through a pull-up resistor, if not used
SD0	1	I/O	Serial data 0. Connect to V_{DPU0} ⁽¹⁾ through a pull-up resistor
SC0	2	I/O	Serial clock 0. Connect to V_{DPU0} ⁽¹⁾ through a pull-up resistor
SD1	3	I/O	Serial data 1. Connect to V_{DPU1} ⁽¹⁾ through a pull-up resistor
SC1	4	I/O	Serial clock 1. Connect to V_{DPU1} ⁽¹⁾ through a pull-up resistor
SD2	5	I/O	Serial data 2. Connect to V_{DPU2} ⁽¹⁾ through a pull-up resistor
SC2	6	I/O	Serial clock 2. Connect to V_{DPU2} ⁽¹⁾ through a pull-up resistor
SD3	7	I/O	Serial data 3. Connect to V_{DPU3} ⁽¹⁾ through a pull-up resistor
SC3	8	I/O	Serial clock 3. Connect to V_{DPU3} ⁽¹⁾ through a pull-up resistor
SD4	10	I/O	Serial data 4. Connect to V_{DPU4} ⁽¹⁾ through a pull-up resistor
SC4	11	I/O	Serial clock 4. Connect to V_{DPU4} ⁽¹⁾ through a pull-up resistor
SD5	12	I/O	Serial data 5. Connect to V_{DPU5} ⁽¹⁾ through a pull-up resistor
SC5	13	I/O	Serial clock 5. Connect to V_{DPU5} ⁽¹⁾ through a pull-up resistor
SD6	14	I/O	Serial data 6. Connect to V_{DPU6} ⁽¹⁾ through a pull-up resistor
SC6	15	I/O	Serial clock 6. Connect to V_{DPU6} ⁽¹⁾ through a pull-up resistor
SD7	16	I/O	Serial data 7. Connect to V_{DPU7} ⁽¹⁾ through a pull-up resistor
SC7	17	I/O	Serial clock 7. Connect to V_{DPU7} ⁽¹⁾ through a pull-up resistor
SCL	19	I/O	Serial clock bus. Connect to V_{DPUM} ⁽¹⁾ through a pull-up resistor
SDA	20	I/O	Serial data bus. Connect to V_{DPUM} ⁽¹⁾ through a pull-up resistor
VCC	21	Power	Supply voltage

(1) V_{DPUX} is the pull-up reference voltage for the associated data line. V_{DPUM} is the controller I²C reference voltage and V_{DPU0} - V_{DPU7} are the target channel reference voltages.

6 Specifications

6.1 Absolute Maximum Ratings

over operating free-air temperature range (unless otherwise noted)⁽¹⁾

		MIN	MAX	UNIT	
V _{CC}	Supply voltage	-0.5	7	V	
V _I	Input voltage ⁽²⁾	-0.5	7	V	
I _I	Input current	-20	20	mA	
I _O	Output current	-25		mA	
I _{CC}	Supply current	-100	100	mA	
T _{stg}	Storage temperature	-65	150	°C	
T _J	Max Junction Temperature	V _{CC} ≤ 3.6 V		130	°C
		V _{CC} ≤ 5.25V		90	°C

- (1) Operation outside the *Absolute Maximum Ratings* may cause permanent device damage. *Absolute Maximum Ratings* do not imply functional operation of the device at these or any other conditions beyond those listed under *Recommended Operating Conditions*. If used outside the *Recommended Operating Conditions* but within the *Absolute Maximum Ratings*, the device may not be fully functional, and this may affect device reliability, functionality, performance, and shorten the device lifetime.
- (2) The input negative-voltage and output voltage ratings may be exceeded if the input and output current ratings are observed.

6.2 ESD Ratings

			VALUE	UNIT
V _(ESD)	Electrostatic discharge	Human body model (HBM), per AEC Q100-002 ⁽¹⁾ HBM ESD Classification Level 2	±2000	V
		Charged-device model (CDM), per AEC Q100-011 CDM ESD Classification Level C6	±1000	

- (1) AEC Q100-002 indicates that HBM stressing shall be in accordance with the ANSI/ESDA/JEDEC JS-001 specification.

6.3 Recommended Operating Conditions

			MIN	MAX	UNIT
V _{CC}	Supply voltage	-40 °C ≤ T _A ≤ 85 °C	1.65	5.25	V
V _{IH}	High-level input voltage	SCL, SDA	0.7 × V _{CC}	6	V
		A2–A0, RESET	0.7 × V _{CC}	V _{CC} + 0.5	
V _{IL}	Low-level input voltage	SCL, SDA	-0.5	0.3 × V _{CC}	V
		A2–A0, RESET	-0.5	0.3 × V _{CC}	
T _A	Operating free-air temperature	1.65 V ≤ V _{CC} ≤ 5.25 V	-40	85	°C
T _A	Operating free-air temperature	1.65 V ≤ V _{CC} ≤ 3.6 V	-40	125	°C

6.4 Thermal Information

THERMAL METRIC ⁽¹⁾		TCA9548A	UNIT
		RGE (VQFN)	
		24 PINS	
R _{θJA}	Junction-to-ambient thermal resistance	57.2	°C/W
R _{θJC(top)}	Junction-to-case (top) thermal resistance	62.5	°C/W
R _{θJB}	Junction-to-board thermal resistance	34.4	°C/W
ψ _{JT}	Junction-to-top characterization parameter	3.8	°C/W
ψ _{JB}	Junction-to-board characterization parameter	34.4	°C/W
R _{θJC(bot)}	Junction-to-case (bottom) thermal resistance	15.5	°C/W

- (1) For more information about traditional and new thermal metrics, see the [Semiconductor and IC Package Thermal Metrics](#) application report.

6.5 Electrical Characteristics

over recommended operating free-air temperature range (unless otherwise noted), see note (1)

PARAMETER		TEST CONDITIONS	V _{CC}	MIN	TYP	MAX	UNIT	
V _{PORR}	Power-on reset voltage, V _{CC} rising	No load, V _I = V _{CC} or GND ⁽⁴⁾			1.2	1.5	V	
V _{PORF}	Power-on reset voltage, V _{CC} falling ⁽²⁾	No load, V _I = V _{CC} or GND ⁽⁴⁾		0.8	1		V	
V _{o(sw)}	Switch output voltage	V _{I(sw)} = V _{CC} , I _{SWout} = -100 μA	5 V		3.6		V	
			4.5 V to 5.25 V	2.6		4.5		
			3.3 V		1.9			
			3 V to 3.6 V	1.6		2.8		
			2.5 V		1.5			
			2.3 V to 2.7 V	1.1		2		
			1.8 V		1.1			
			1.65 V to 1.95 V	0.6		1.25		
I _{OL}	SDA	V _{OL} = 0.4 V	1.65 V to 5.25 V	3	6		mA	
		V _{OL} = 0.6 V		5	9			
I _I	SCL, SDA	V _I = V _{CC} or GND ⁽⁴⁾	1.65 V to 5.25 V	-1		1	μA	
	SC7-SC0, SD7-SD0			-1		1		
	A2-A0			-1		1		
	RESET			-1		1		
I _{CC}	Operating mode	f _{SCL} = 400 kHz	V _I = V _{CC} or GND ⁽⁴⁾ , I _O = 0	5.25 V	50	80	μA	
				3.6 V	20	35		
				2.7 V	11	20		
				1.65 V	6	10		
		f _{SCL} = 100 kHz		5.25 V	9	30		
				3.6 V	6	15		
				2.7 V	4	8		
				1.65 V	2	4		
	Standby mode	Low inputs	V _I = GND ⁽⁴⁾ , I _O = 0	5.25 V	0.2	4		
				3.6 V	0.1	2		
				2.7 V	0.1	2		
				1.65 V	0.1	1		
		High inputs		V _I = V _{CC} , I _O = 0	5.25 V	0.2		4
				3.6 V	0.1	2		
				2.7 V	0.1	2		
				1.65 V	0.1	1		
Low inputs	V _I = V _{CC} or GND, I _O = 0, 85°C to 125°C	3.6 V	1	2				
		2.7 V	0.7	1.5				
		1.65 V	0.4	1				
		3.6 V	1	2				
High inputs		V _I = V _{CC} or GND, I _O = 0, 85°C to 125°C	2.7 V	0.7	1.5			
		1.65 V	0.4	2				

6.5 Electrical Characteristics (continued)

over recommended operating free-air temperature range (unless otherwise noted), see note ⁽¹⁾

PARAMETER		TEST CONDITIONS	V _{CC}	MIN	TYP	MAX	UNIT
R _{ON}	Switch-on resistance	V _O = 0.4 V, I _O = 15 mA	4.5 V to 5.25 V	4	10	25	Ω
			3 V to 3.6 V	5	12	35	
		V _O = 0.4 V, I _O = 10 mA	2.3 V to 2.7 V	7	15	45	
			1.65 V to 1.95 V	10	25	70	

(1) For operation between specified voltage ranges, refer to the worst-case parameter in both applicable ranges.

(2) The power-on reset circuit resets the I²C bus logic with V_{CC} < V_{PORF}.

(3) C_{iO(ON)} depends on internal capacitance and external capacitance added to the SCn lines when channels(s) are ON.

(4) RESET = V_{CC} (held high) when all other input voltages, V_I = GND.

6.6 I²C Interface Timing Requirements

over recommended operating free-air temperature range (unless otherwise noted) (see [7-1](#))

			MIN	MAX	UNIT
STANDARD MODE					
f _{scl}	I ² C clock frequency		0	100	kHz
t _{sch}	I ² C clock high time		4		μs
t _{scl}	I ² C clock low time		4.7		μs
t _{sp}	I ² C spike time			50	ns
t _{sds}	I ² C serial-data setup time		250		ns
t _{sdh}	I ² C serial-data hold time		0 ⁽¹⁾		μs
t _{icr}	I ² C input rise time			1000	ns
t _{icf}	I ² C input fall time			300	ns
t _{ocf}	I ² C output (SDn) fall time (10 pF to 400 pF bus)			300	ns
t _{buf}	I ² C bus free time between stop and start		4.7		μs
t _{sts}	I ² C start or repeated start condition setup		4.7		μs
t _{sth}	I ² C start or repeated start condition hold		4		μs
t _{sps}	I ² C stop condition setup		4		μs
t _{vdL(Data)}	Valid-data time (high to low) ⁽²⁾	SCL low to SDA output low valid		1	μs
t _{vdH(Data)}	Valid-data time (low to high) ⁽²⁾	SCL low to SDA output high valid		0.6	μs
t _{vd(ack)}	Valid-data time of ACK condition	ACK signal from SCL low to SDA output low		1	μs
C _b	I ² C bus capacitive load			400	pF
FAST MODE					
f _{scl}	I ² C clock frequency		0	400	kHz
t _{sch}	I ² C clock high time		0.6		μs
t _{scl}	I ² C clock low time		1.3		μs
t _{sp}	I ² C spike time			50	ns
t _{sds}	I ² C serial-data setup time		100		ns
t _{sdh}	I ² C serial-data hold time		0 ⁽¹⁾		μs
t _{icr}	I ² C input rise time		20	300	ns
t _{icf}	I ² C input fall time		20 × (V _{CC} / 5.5 V)	300	ns
t _{ocf}	I ² C output (SDn) fall time (10 pF to 400 pF bus)		20 × (V _{CC} / 5.5 V)	300	ns
t _{buf}	I ² C bus free time between stop and start		1.3		μs
t _{sts}	I ² C start or repeated start condition setup		0.6		μs
t _{sth}	I ² C start or repeated start condition hold		0.6		μs
t _{sps}	I ² C stop condition setup		0.6		μs
t _{vdL(Data)}	Valid-data time (high to low) ⁽²⁾	SCL low to SDA output low valid		1	μs
t _{vdH(Data)}	Valid-data time (low to high) ⁽²⁾	SCL low to SDA output high valid		0.6	μs

6.6 I²C Interface Timing Requirements (continued)

over recommended operating free-air temperature range (unless otherwise noted) (see [7-1](#))

PARAMETER			MIN	MAX	UNIT
$t_{vd(ack)}$	Valid-data time of ACK condition	ACK signal from SCL low to SDA output low		1	μ s
C_b	I ² C bus capacitive load			400	pF

- (1) A device internally must provide a hold time of at least 300 ns for the SDA signal (referred to the V_{IH} min of the SCL signal), to bridge the undefined region of the falling edge of SCL.
- (2) Data taken using a 1 k Ω pull-up resistor and 50 pF load (see [7-2](#))

6.7 Reset Timing Requirements

over recommended operating free-air temperature range (unless otherwise noted)

PARAMETER		MIN	MAX	UNIT
t_{WL}	Pulse duration, RESET low	6		ns
$t_{REC(STA)}$	Recovery time from RESET to start	0		ns

6.8 Switching Characteristics

over recommended operating free-air temperature range, $C_L \leq 100$ pF (unless otherwise noted) (see [7-1](#))

PARAMETER			FROM (INPUT)	TO (OUTPUT)	MIN	MAX	UNIT
$t_{pd}^{(1)}$	Propagation delay time	$R_{ON} = 20 \Omega, C_L = 15$ pF	SDA or SCL	SDn or SCn	0.3		ns
		$R_{ON} = 20 \Omega, C_L = 50$ pF			1		
$t_{rst}^{(2)}$	RESET time (SDA clear)		RESET	SDA	500		ns

- (1) The propagation delay is the calculated RC time constant of the typical ON-state resistance of the switch and the specified load capacitance, when driven by an ideal voltage source (zero output impedance).
- (2) t_{rst} is the propagation delay measured from the time the RESET pin is first asserted low to the time the SDA pin is asserted high, signaling a stop condition. It must be a minimum of t_{WL} .

6.9 Typical Characteristics

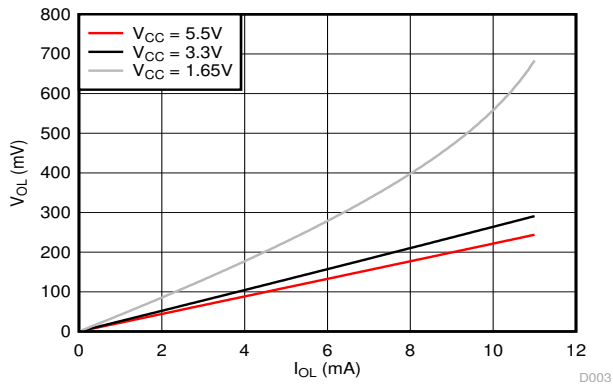


图 6-1. SDA Output Low Voltage (V_{OL}) vs Load Current (I_{OL}) at Three V_{CC} Levels

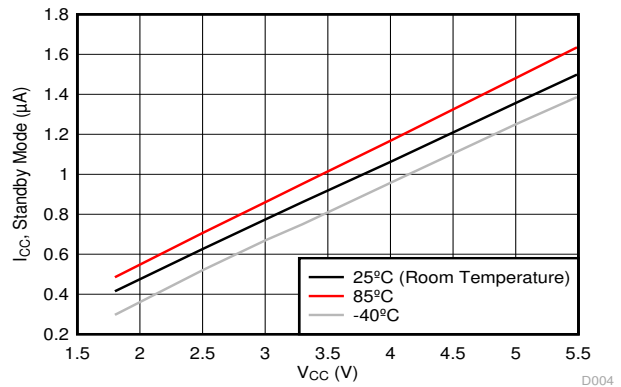


图 6-2. Standby Current (I_{CC}) vs Supply Voltage (V_{CC}) at three temperatures

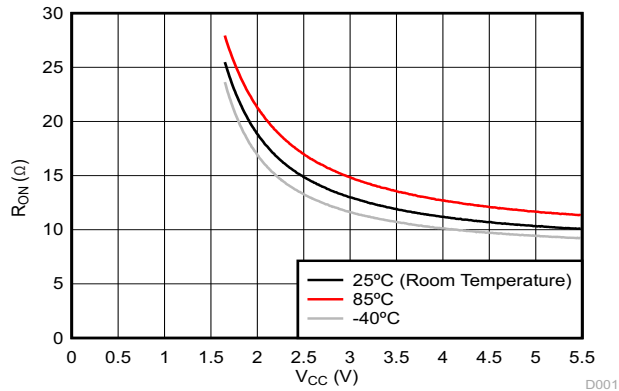
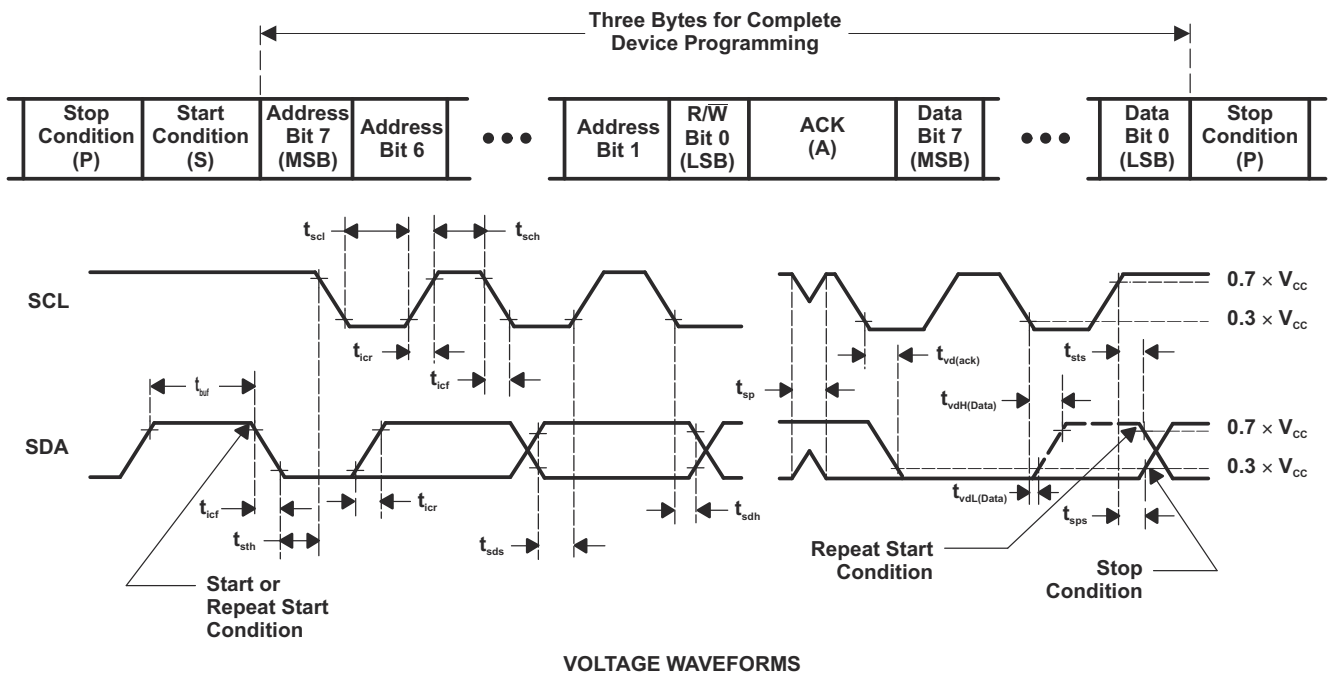
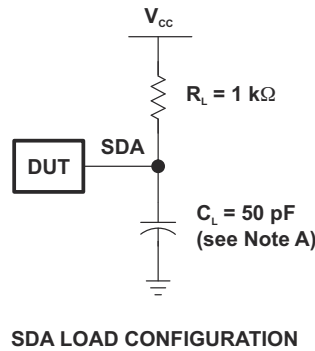


图 6-3. On-Resistance (R_{ON}) vs Supply Voltage (V_{CC}) at three temperatures

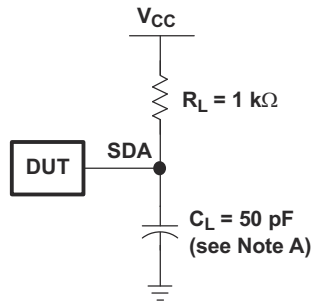
7 Parameter Measurement Information



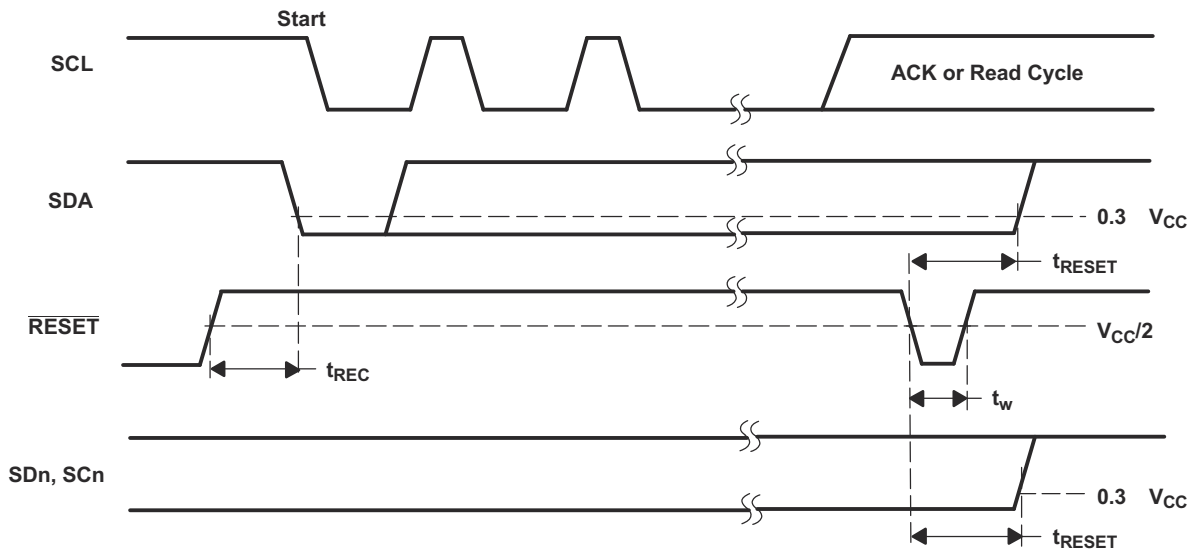
BYTE	DESCRIPTION
1	I ² C address
2, 3	P-port data

- A. C_L includes probe and jig capacitance.
- B. All inputs are supplied by generators having the following characteristics: PRR \leq 10 MHz, $Z_0 = 50 \Omega$, $t_r/t_f \leq 30$ ns.
- C. Not all parameters and waveforms are applicable to all devices.

7-1. I²C Load Circuit and Voltage Waveforms



SDA LOAD CONFIGURATION



- A. C_L includes probe and jig capacitance.
- B. All inputs are supplied by generators having the following characteristics: $PRR \leq 10\text{ MHz}$, $Z_O = 50\ \Omega$, $t_r/t_f \leq 30\text{ ns}$.
- C. I/Os are configured as inputs.
- D. Not all parameters and waveforms are applicable to all devices.

7-2. Reset Load Circuit and Voltage Waveforms

8 Detailed Description

8.1 Overview

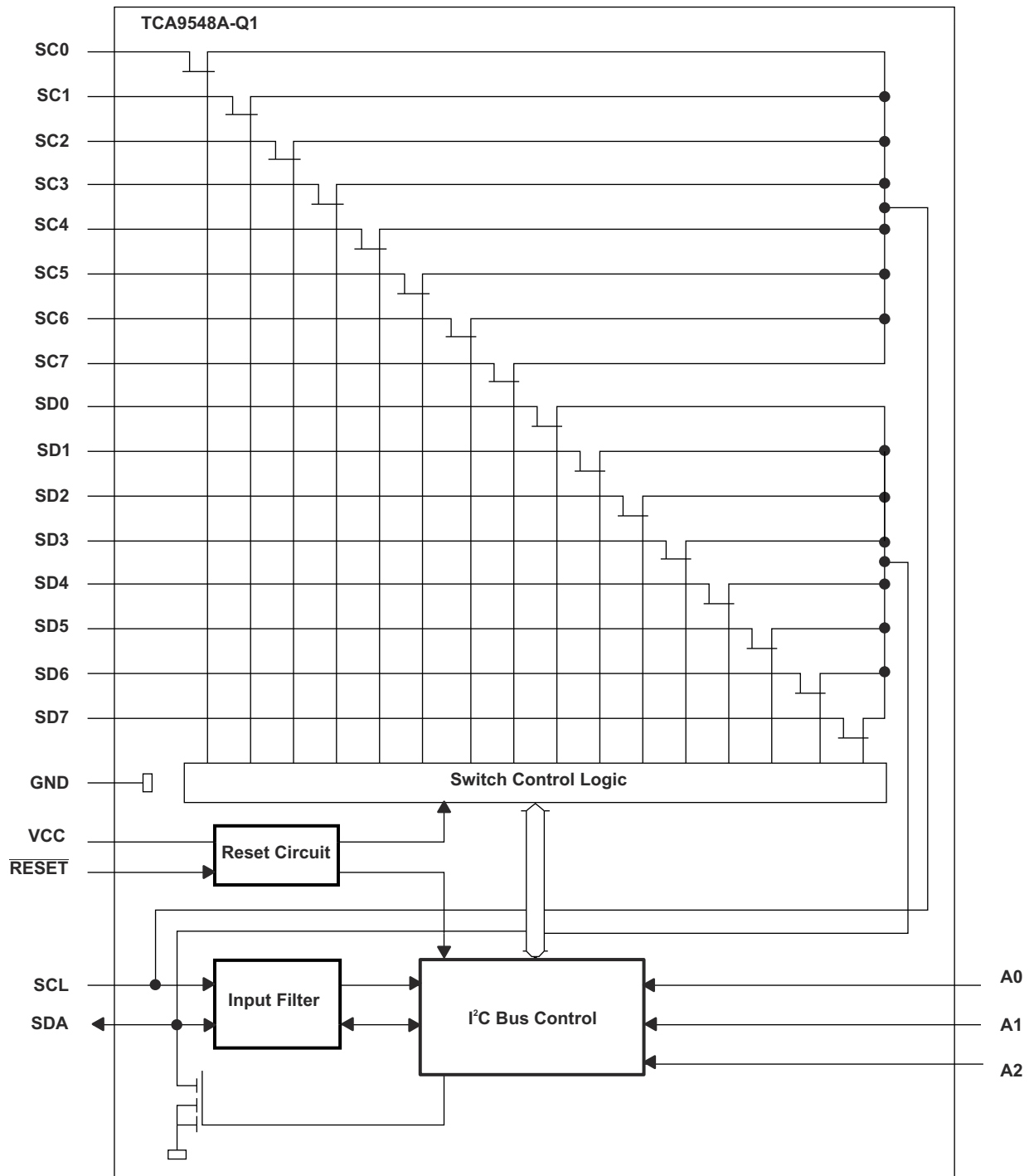
The TCA9548A-Q1 is an 8-channel, bidirectional translating I²C switch. The controller SCL/SDA signal pair is directed to eight channels of target devices, SC0/SD0-SC7/SD7. Any individual downstream channel can be selected as well as any combination of the eight channels.

The device offers an active-low $\overline{\text{RESET}}$ input which resets the state machine and allows the TCA9548A-Q1 to recover if one of the downstream I²C buses get stuck in a low state. The state machine of the device can also be reset by cycling the power supply, V_{CC}, also known as a power-on reset (POR). Both the $\overline{\text{RESET}}$ function and a POR cause all channels to be deselected.

The connections of the I²C data path are controlled by the same I²C controller device that is switched to communicate with multiple I²C targets. After the successful acknowledgment of the target address (hardware selectable by A0, A1, and A2 pins), a single 8-bit control register is written to or read from to determine the selected channels.

The TCA9548A-Q1 may also be used for voltage translation, allowing the use of different bus voltages on each SCn/SDn pair such that 1.8 V, 2.5 V, or 3.3 V parts can communicate with 5 V parts. This is achieved by using external pull-up resistors to pull the bus up to the desired voltage for the controller and each target channel.

8.2 Functional Block Diagram



8.3 Feature Description

The TCA9548A-Q1 is an 8-channel, bidirectional translating switch for I²C buses that supports Standard-Mode (100 kHz) and Fast-Mode (400 kHz) operation. The TCA9548A-Q1 features I²C control using a single 8-bit control register in which each bit controls the enabling and disabling of one of the corresponding 8 switch channels for I²C data flow. Depending on the application, voltage translation of the I²C bus can also be achieved using the TCA9548A-Q1 to allow 1.8 V, 2.5 V, or 3.3 V parts to communicate with 5 V parts. Additionally, in the

event that communication on the I²C bus enters a fault state, the TCA9548A-Q1 can be reset to resume normal operation using the RESET pin feature or by a power-on reset which results from cycling power to the device.

8.4 Device Functional Modes

8.4.1 RESET Input

The $\overline{\text{RESET}}$ input is an active-low signal that may be used to recover from a bus-fault condition. When this signal is asserted low for a minimum of t_{WL} , the TCA9548A-Q1 resets its registers and I²C state machine and deselects all channels. The $\overline{\text{RESET}}$ input must be connected to V_{CC} through a pull-up resistor.

8.4.2 Power-On Reset

When power is applied to the VCC pin, an internal power-on reset holds the TCA9548A-Q1 in a reset condition until V_{CC} has reached V_{PORR} . At this point, the reset condition is released, and the TCA9548A-Q1 registers and I²C state machine are initialized to their default states, all zeroes, causing all the channels to be deselected. Thereafter, V_{CC} must be lowered below V_{PORF} to reset the device.

8.5 Programming

8.5.1 I²C Interface

The TCA9548A-Q1 has a standard bidirectional I²C interface that is controlled by a controller device in order to be configured or read the status of this device. Each target on the I²C bus has a specific device address to differentiate between other target devices that are on the same I²C bus. Many target devices require configuration upon startup to set the behavior of the device. This is typically done when the controller accesses internal register maps of the target, which have unique register addresses. A device can have one or multiple registers where data is stored, written, or read.

The physical I²C interface consists of the serial clock (SCL) and serial data (SDA) lines. Both SDA and SCL lines must be connected to V_{CC} through a pull-up resistor. The size of the pull-up resistor is determined by the amount of capacitance on the I²C lines. (For further details, see the [I²C Pull-up Resistor Calculation](#) application report. Data transfer may be initiated only when the bus is idle. A bus is considered idle if both SDA and SCL lines are high after a STOP condition (See [Figure 8-1](#) and [Figure 8-2](#)).

The following is the general procedure for a controller to access a target device:

1. If a controller wants to send data to a target:
 - Controller-transmitter sends a START condition and addresses the target-receiver.
 - Controller-transmitter sends data to target-receiver.
 - Controller-transmitter terminates the transfer with a STOP condition.
2. If a controller wants to receive or read data from a target:
 - Controller-receiver sends a START condition and addresses the target-transmitter.
 - Controller-receiver sends the requested register to read to target-transmitter.
 - Controller-receiver receives data from the target-transmitter.
 - Controller-receiver terminates the transfer with a STOP condition.

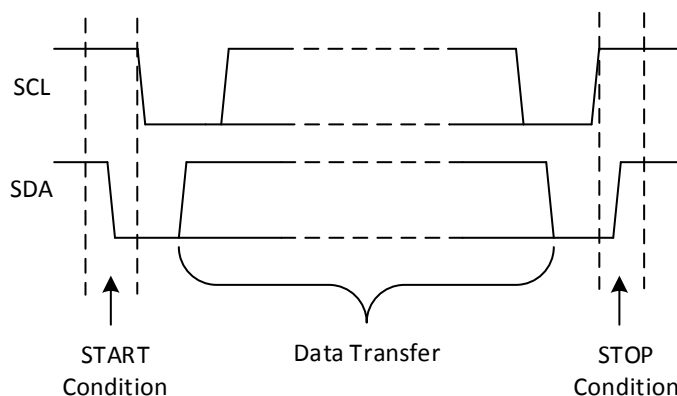


Figure 8-1. Definition of Start and Stop Conditions

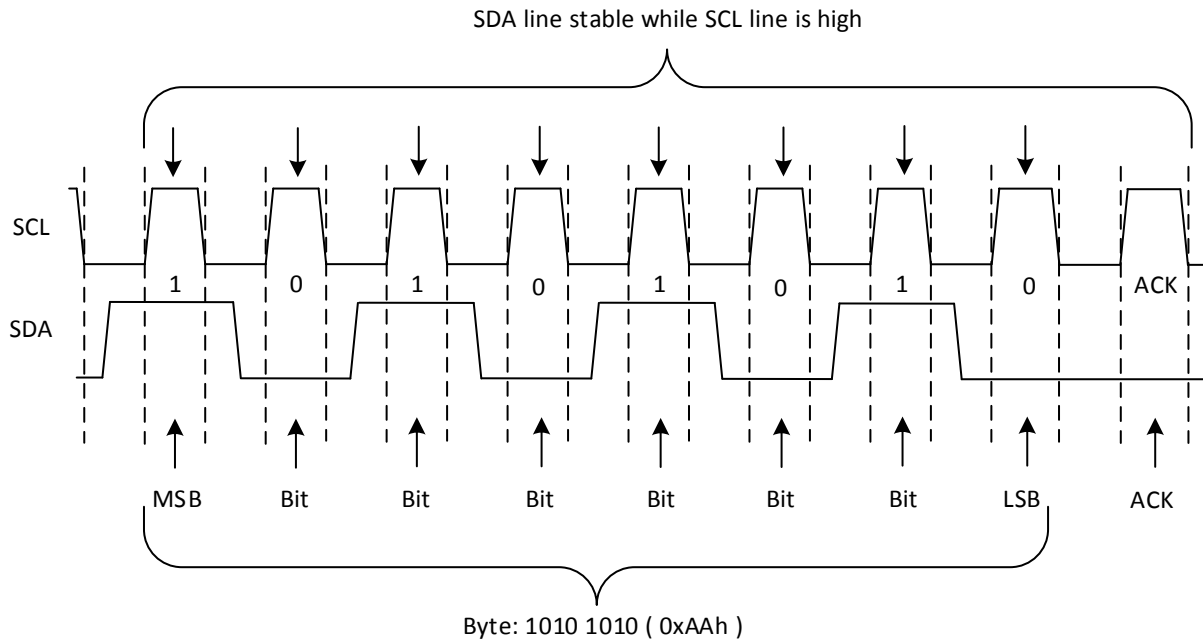


图 8-2. Bit Transfer

8.5.2 Device Address

图 8-3 shows the address byte of the TCA9548A-Q1.

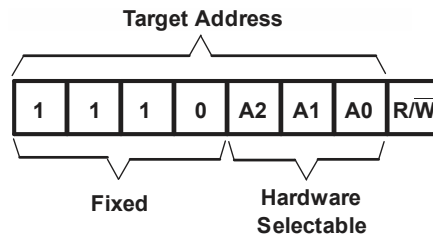


图 8-3. TCA9548A-Q1 Address

The last bit of the target address defines the operation (read or write) to be performed. When it is high (1), a read is selected, while a low (0) selects a write operation.

表 8-1 shows the TCA9548A-Q1 address reference.

表 8-1. Address Reference

INPUTS			I ² C BUS TARGET ADDRESS
A2	A1	A0	
L	L	L	112 (decimal), 70 (hexadecimal)
L	L	H	113 (decimal), 71 (hexadecimal)
L	H	L	114 (decimal), 72 (hexadecimal)
L	H	H	115 (decimal), 73 (hexadecimal)
H	L	L	116 (decimal), 74 (hexadecimal)
H	L	H	117 (decimal), 75 (hexadecimal)
H	H	L	118 (decimal), 76 (hexadecimal)
H	H	H	119 (decimal), 77 (hexadecimal)

8.5.3 Bus Transactions

Data must be sent to and received from the target devices, and this is accomplished by reading from or writing to registers in the target device.

Registers are locations in the memory of the target which contain information, whether it be the configuration information or some sampled data to send back to the controller. The controller must write information to these registers in order to instruct the target device to perform a task.

While it is common to have registers in I²C targets, note that not all target devices have registers. Some devices are simple and contain only 1 register, which may be written to directly by sending the register data immediately after the target address, instead of addressing a register. The TCA9548A-Q1 is example of a single-register device, which is controlled via I²C commands. Since it has 1 bit to enable or disable a channel, there is only 1 register needed, and the controller merely writes the register data after the target address, skipping the register number.

8.5.3.1 Writes

To write on the I²C bus, the controller sends a START condition on the bus with the address of the target, as well as the last bit (the R/ \bar{W} bit) set to 0, which signifies a write. The target acknowledges, letting the controller know it is ready. After this, the controller starts sending the control register data to the target until the controller has sent all the data necessary (which is sometimes only a single byte), and the controller terminates the transmission with a STOP condition.

There is no limit to the number of bytes sent, but the last byte sent is what is in the register.

Figure 8-4 shows an example of writing a single byte to a target register.

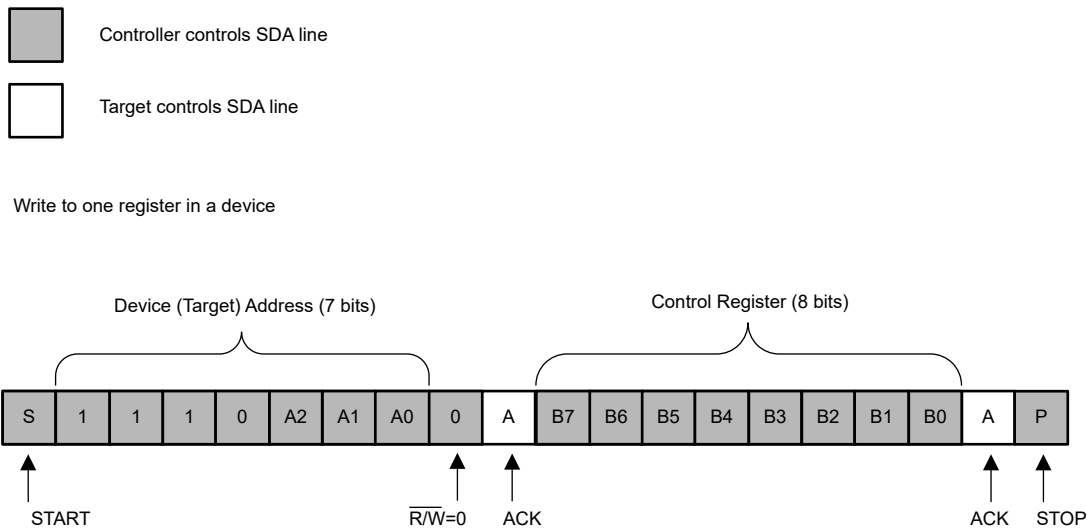


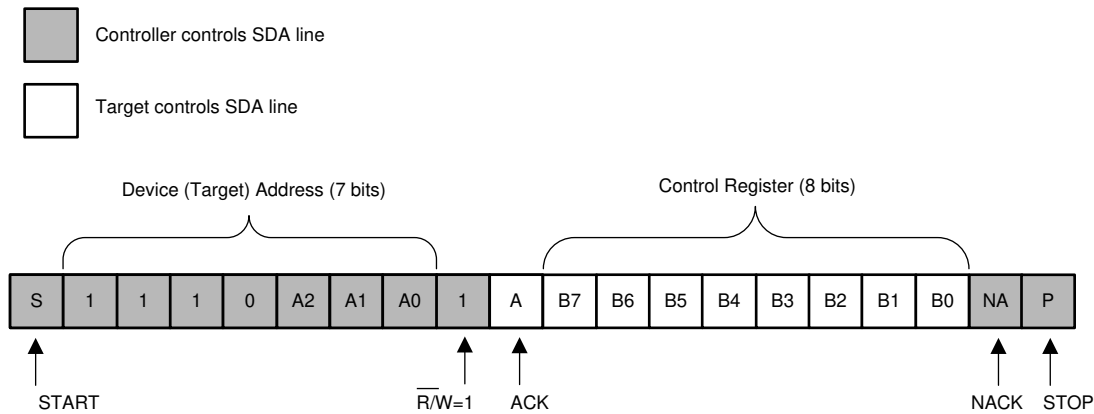
Figure 8-4. Write to Register

8.5.3.2 Reads

Reading from a target is very similar to writing, but the controller sends a START condition, followed by the target address with the R/ \bar{W} bit set to 1 (signifying a read). The target acknowledges the read request, and the controller releases the SDA bus but continues supplying the clock to the target. During this part of the transaction, the controller becomes the controller-receiver, and the target becomes the target-transmitter.

The controller continues to send out the clock pulses, but releases the SDA line so that the target can transmit data. At the end of every byte of data, the controller sends an ACK to the target, letting the target know that it is ready for more data. Once the controller has received the number of bytes it is expecting, it sends a NACK, signaling to the target to halt communications and release the bus. The controller follows this up with a STOP condition.

☒ 8-5 shows an example of reading a single byte from a target register.

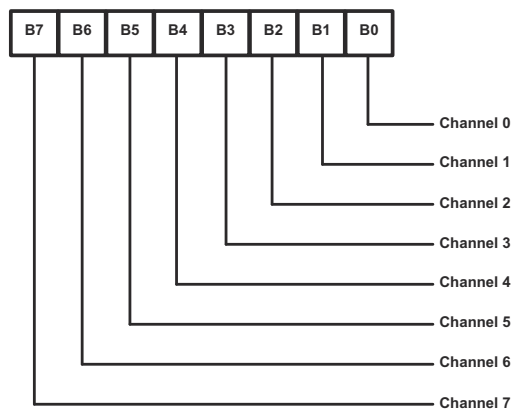


☒ 8-5. Read from Control Register

8.5.4 Control Register

Following the successful acknowledgment of the address byte, the bus controller sends a command byte that is stored in the control register in the TCA9548A-Q1 (see ☒ 8-6). This register can be written and read via the I²C bus. Each bit in the command byte corresponds to a SCn/SDn channel and a high (or 1) selects this channel. Multiple SCn/SDn channels may be selected at the same time. When a channel is selected, the channel becomes active after a stop condition has been placed on the I²C bus. This ensures that all SCn/SDn lines are in a high state when the channel is made active, so that no false conditions are generated at the time of connection. A stop condition always must occur immediately after the acknowledge cycle. If multiple bytes are received by the TCA9548A-Q1, it saves the last byte received.

Channel Selection Bits (Read/Write)



☒ 8-6. Control Register

表 8-2 shows the TCA9548A-Q1 Command Byte Definition.

表 8-2. Command Byte Definition

CONTROL REGISTER BITS								COMMAND
B7	B6	B5	B4	B3	B2	B1	B0	
X	X	X	X	X	X	X	0	Channel 0 disabled
							1	Channel 0 enabled
X	X	X	X	X	X	X	0	Channel 1 disabled
							1	Channel 1 enabled
X	X	X	X	X	X	X	0	Channel 2 disabled
							1	Channel 2 enabled
X	X	X	X	X	X	X	0	Channel 3 disabled
							1	Channel 3 enabled
X	X	X	X	X	X	X	0	Channel 4 disabled
							1	Channel 4 enabled
X	X	X	X	X	X	X	0	Channel 5 disabled
							1	Channel 5 enabled
X	X	X	X	X	X	X	0	Channel 6 disabled
							1	Channel 6 enabled
0	X	X	X	X	X	X	0	Channel 7 disabled
							1	Channel 7 enabled
0	0	0	0	0	0	0	0	No channel selected, power-up/reset default state

8.5.5 RESET Input

The $\overline{\text{RESET}}$ input is an active-low signal that may be used to recover from a bus-fault condition. When this signal is asserted low for a minimum of t_{WL} , the TCA9548A-Q1 resets its registers and I²C state machine and deselects all channels. The $\overline{\text{RESET}}$ input must be connected to V_{CC} through a pull-up resistor.

8.5.6 Power-On Reset

When power (from 0 V) is applied to V_{CC} , an internal power-on reset holds the TCA9548A-Q1 in a reset condition until V_{CC} has reached V_{POR} . At that point, the reset condition is released and the TCA9548A-Q1 registers and I²C state machine initialize to their default states. After that, V_{CC} must be lowered to below V_{POR} and then back up to the operating voltage for a power-reset cycle.

Application and Implementation

注

Information in the following applications sections is not part of the TI component specification, and TI does not warrant its accuracy or completeness. TI's customers are responsible for determining suitability of components for their purposes. Customers should validate and test their design implementation to confirm system functionality.

9.1 Application Information

Applications of the TCA9548A-Q1 contain an I²C (or SMBus) controller device and up to eight I²C target devices. The downstream channels are ideally used to resolve I²C target address conflicts. For example, if eight identical digital temperature sensors are needed in the application, one sensor can be connected at each channel: 0-7. When the temperature at a specific location needs to be read, the appropriate channel can be enabled and all other channels switched off, the data can be retrieved, and the I²C controller can move on and read the next channel.

In an application where the I²C bus contains many additional target devices that do not result in I²C target address conflicts, these target devices can be connected to any desired channel to distribute the total bus capacitance across multiple channels. If multiple switches are enabled simultaneously, additional design requirements must be considered (see the [Design Requirements](#) section and [Detailed Design Procedure](#) section).

9.2 Typical Application

Figure 9-1 shows an application in which the TCA9548A-Q1 can be used.

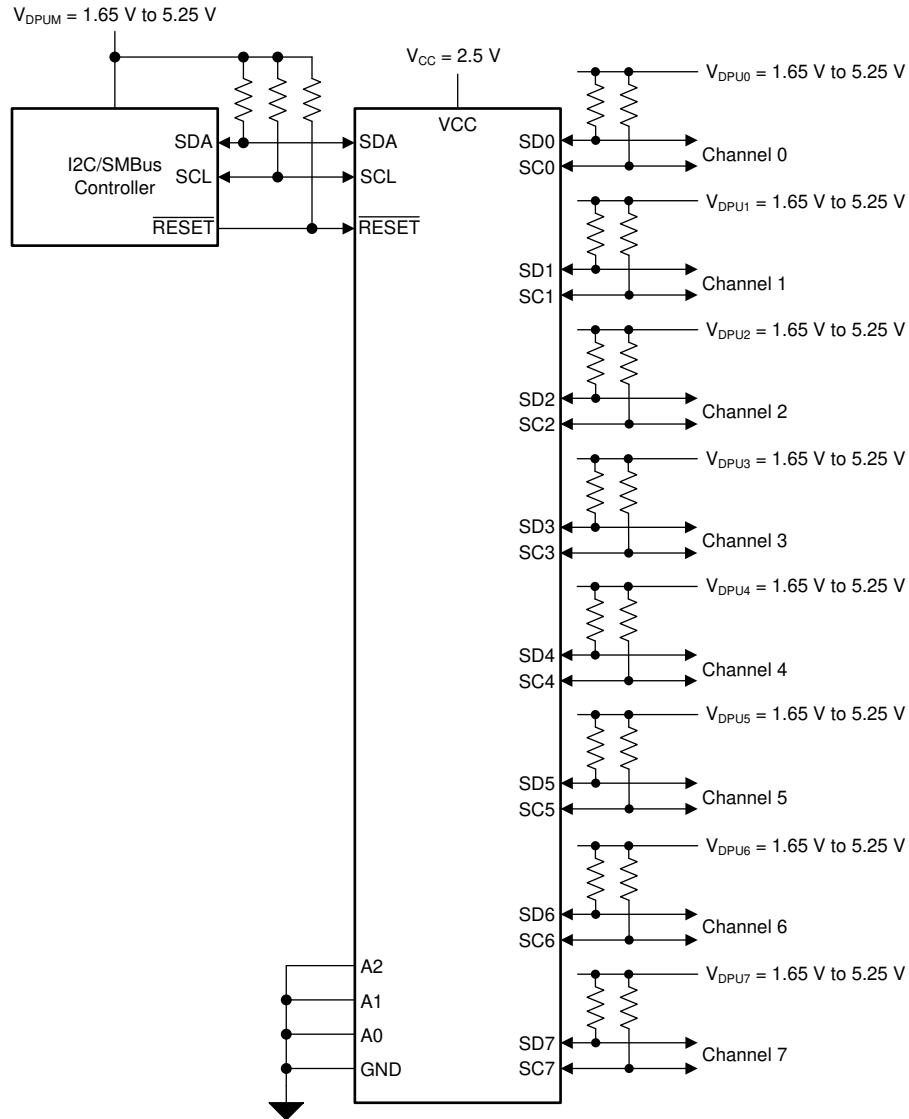


Figure 9-1. Typical Application Schematic

9.2.1 Design Requirements

A typical application of the TCA9548A-Q1 contains one or more data pull-up voltages, V_{DPUX} , one for the controller device (V_{DPUM}) and one for each of the selectable target channels ($V_{DPU0} - V_{DPU7}$). In the event where the controller device and all target devices operate at the same voltage, then $V_{DPUM} = V_{DPUX} = V_{CC}$. In an application where voltage translation is necessary, additional design requirements must be considered to determine an appropriate V_{CC} voltage.

The A0, A1, and A2 pins are hardware selectable to control the target address of the TCA9548A-Q1. These pins may be tied directly to GND or V_{CC} in the application.

If multiple target channels are activated simultaneously in the application, then the total I_{OL} from SCL/SDA to GND on the controller side is the sum of the currents through all pull-up resistors, R_p .

The pass-gate transistors of the TCA9548A-Q1 are constructed such that the V_{CC} voltage can be used to limit the maximum voltage that is passed from one I²C bus to another.

Figure 9-2 shows the voltage characteristics of the pass-gate transistors (note that the graph was generated using data specified in the [Electrical Characteristics](#) table). In order for the TCA9548A-Q1 to act as a voltage translator, the V_{PASS} voltage must be equal to or lower than the lowest bus voltage. For example, if the main bus is running at 5 V and the downstream buses are 3.3 V and 2.7 V, V_{PASS} must be equal to or below 2.7 V to effectively clamp the downstream bus voltages. As shown in Figure 9-2, $V_{PASS(max)}$ is 2.7 V when the TCA9548A-Q1 supply voltage is 4 V or lower, so the TCA9548A-Q1 supply voltage could be set to 3.3 V. Pull-up resistors then can be used to bring the bus voltages to their appropriate levels (see Figure 9-1).

9.2.2 Detailed Design Procedure

Once all the targets are assigned to the appropriate target channels and bus voltages are identified, the pull-up resistors, R_p , for each of the buses need to be selected appropriately. The minimum pull-up resistance is a function of V_{DPUX} , $V_{OL(max)}$, and I_{OL} as shown in Equation 1:

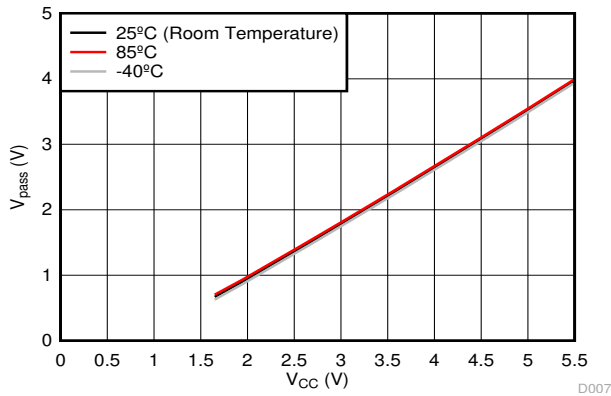
$$R_{p(min)} = \frac{V_{DPUX} - V_{OL(max)}}{I_{OL}} \quad (1)$$

The maximum pull-up resistance is a function of the maximum rise time, t_r (300 ns for fast-mode operation, $f_{SCL} = 400$ kHz) and bus capacitance, C_b as shown in Equation 2:

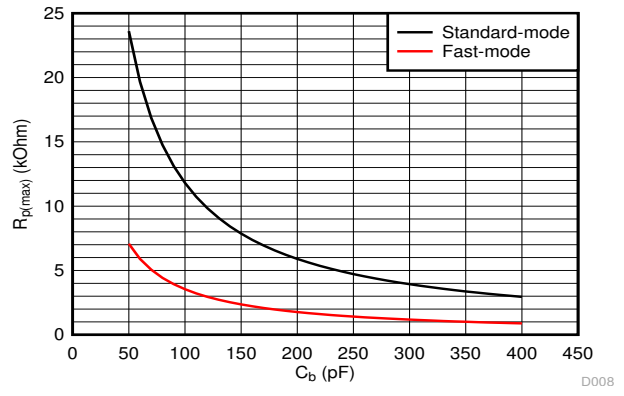
$$R_{p(max)} = \frac{t_r}{0.8473 \times C_b} \quad (2)$$

The maximum bus capacitance for an I²C bus must not exceed 400 pF for fast-mode operation. The bus capacitance can be approximated by adding the capacitance of the TCA9548A-Q1, $C_{iO(OFF)}$, the capacitance of wires, connections and traces, and the capacitance of each individual target on a given channel. If multiple channels are activated simultaneously, each of the targets on all channels contribute to total bus capacitance.

9.2.3 Application Curves

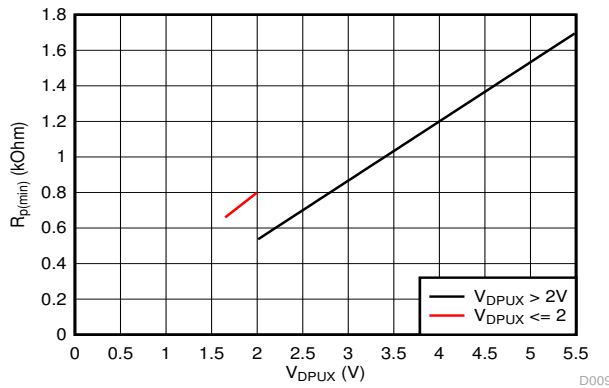


9-2. Pass-Gate Voltage (V_{pass}) vs Supply Voltage (V_{CC}) at Three Temperature Points



9-3. Maximum Pull-up Resistance ($R_{p(max)}$) vs Bus Capacitance (C_b)

Standard-mode ($f_{SCL} = 100$ kHz, $t_r = 1$ μ s) Fast-mode ($f_{SCL} = 400$ kHz, $t_r = 300$ ns)



$V_{OL} = 0.2 \times V_{DPUX}$, $I_{OL} = 2$ mA when $V_{DPUX} \leq 2$ V
 $V_{OL} = 0.4$ V, $I_{OL} = 3$ mA when $V_{DPUX} > 2$ V

9-4. Minimum Pull-up Resistance ($R_{p(min)}$) vs Pull-up Reference Voltage (V_{DPUX})

Power Supply Recommendations

The operating power-supply voltage range of the TCA9548A-Q1 is 1.65 V to 5.25 V applied at the VCC pin. When the TCA9548A-Q1 is powered on for the first time or anytime the device must be reset by cycling the power supply, the power-on reset requirements must be followed to ensure the I²C bus logic is initialized properly.

9.1 Power-On Reset Requirements

In the event of a glitch or data corruption, TCA9548A-Q1 can be reset to its default conditions by using the power-on reset feature. Power-on reset requires that the device go through a power cycle to be completely reset. This reset also happens when the device is powered on for the first time in an application.

A power-on reset is shown in [Figure 9-1](#).

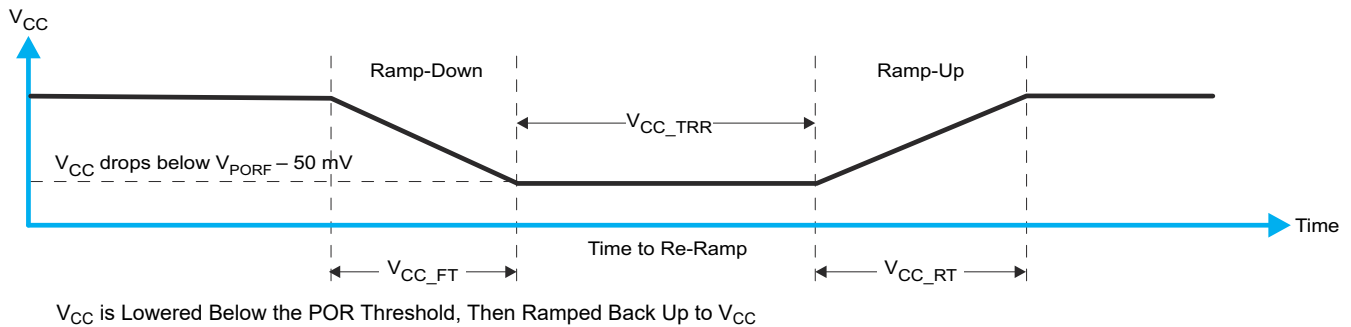


Figure 9-1. Power-On Reset Waveform

[Table 9-1](#) specifies the performance of the power-on reset feature for TCA9548A-Q1 for both types of power-on reset.

Table 9-1. Recommended Supply Sequencing and Ramp Rates⁽¹⁾

PARAMETER			MIN	MAX	UNIT
V _{CC_FT}	Fall time	See Figure 9-1	1	100	ms
V _{CC_RT}	Rise time	See Figure 9-1	0.1	100	ms
V _{CC_TRR}	Time to re-ramp (when V _{CC} drops below V _{PORF(min)} – 50 mV or when V _{CC} drops to GND)	See Figure 9-1	40		μs
V _{CC_GH}	Level that V _{CC} can glitch down to, but not cause a functional disruption when V _{CC_GW} = 1 μs	See Figure 9-2		1.2	V
V _{CC_GW}	Glitch width that does not cause a functional disruption when V _{CC_GH} = 0.5 × V _{CC}	See Figure 9-2		10	μs

(1) All supply sequencing and ramp rate values are measured at T_A = 25°C

Glitches in the power supply can also affect the power-on reset performance of this device. The glitch width (V_{CC_GW}) and height (V_{CC_GH}) are dependent on each other. The bypass capacitance, source impedance, and device impedance are factors that affect power-on reset performance. [Figure 9-2](#) and [Table 9-1](#) provide more information on how to measure these specifications.

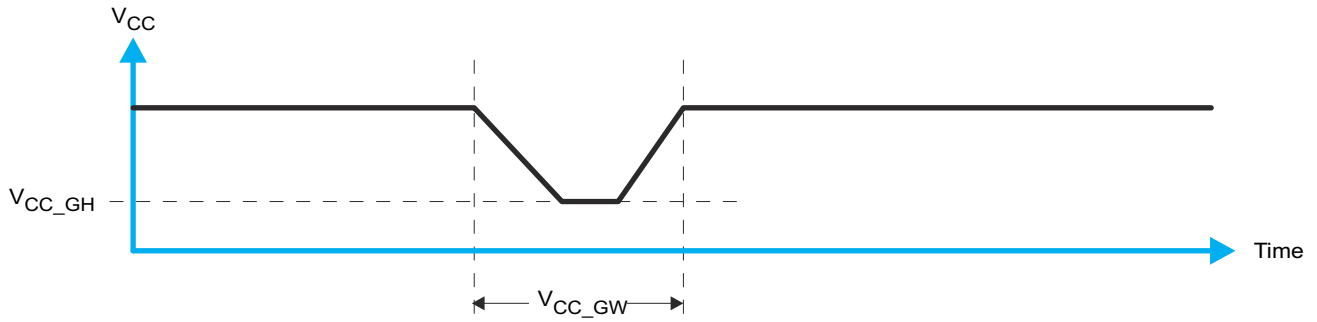


图 9-2. Glitch Width and Glitch Height

V_{POR} is critical to the power-on reset. V_{POR} is the voltage level at which the reset condition is released and all the registers and the I²C/SMBus state machine are initialized to their default states. The value of V_{POR} differs based on the V_{CC} being lowered to or from 0. 图 9-3 and 表 9-1 provide more details on this specification.

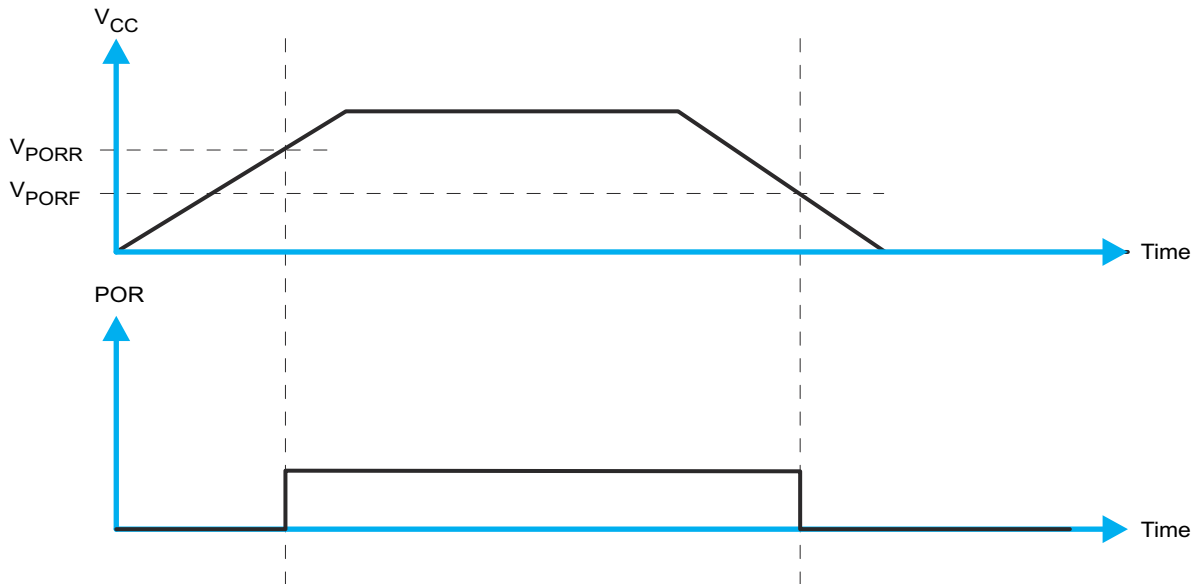


图 9-3. V_{POR} Example

9 Layout

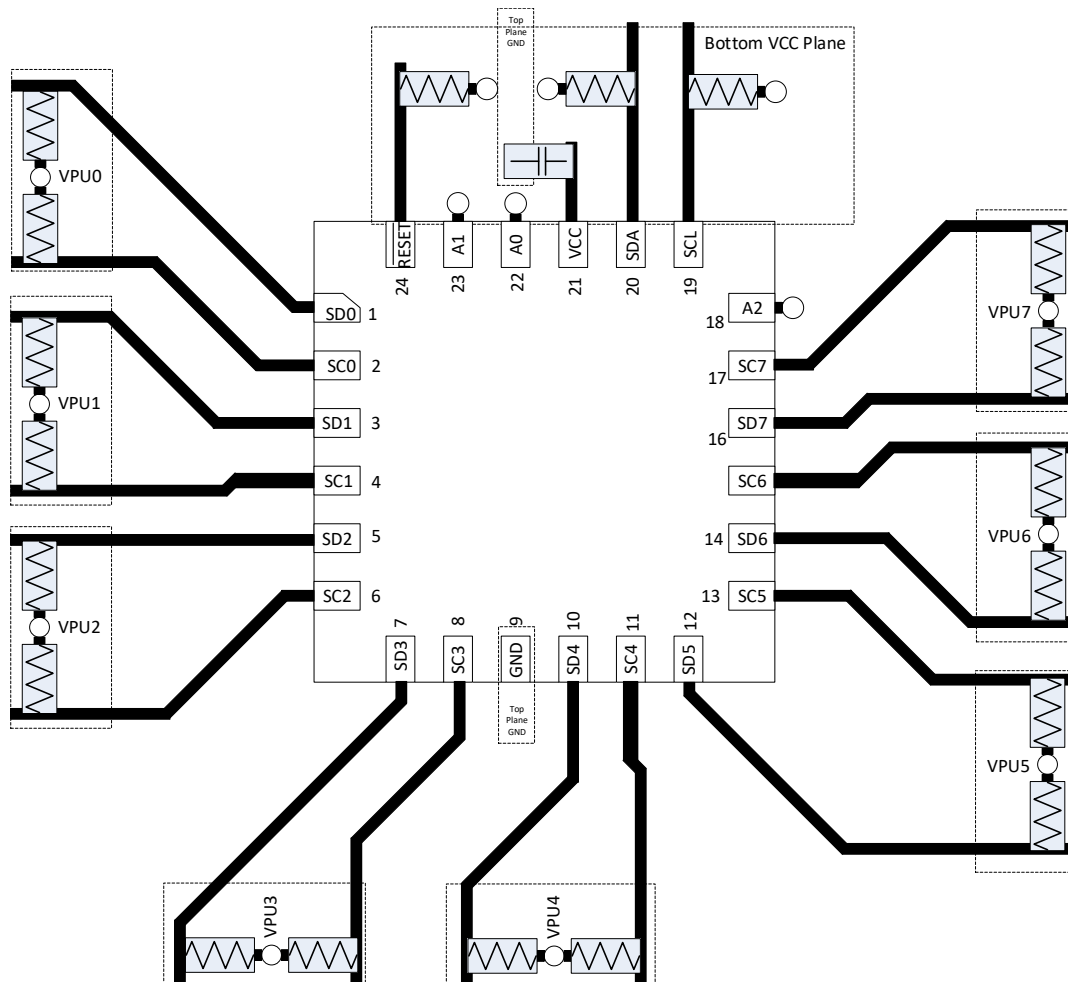
9.1 Layout Guidelines

For PCB layout of the TCA9548A-Q1, common PCB layout practices must be followed but additional concerns related to high-speed data transfer such as matched impedances and differential pairs are not a concern for I²C signal speeds. It is common to have a dedicated ground plane on an inner layer of the board and pins that are connected to ground must have a low-impedance path to the ground plane in the form of wide polygon pours and multiple vias. Bypass and decoupling capacitors are commonly used to control the voltage on the VCC pin, using a larger capacitor to provide additional power in the event of a short power supply glitch and a smaller capacitor to filter out high-frequency ripple.

In an application where voltage translation is not required, all V_{DPUX} voltages and V_{CC} could be at the same potential and a single copper plane could connect all of the pull-up resistors to the appropriate reference voltage. In an application where voltage translation is required, V_{DPU0} and V_{DPU0} – V_{DPU7}, may all be on the same layer of the board with split planes to isolate different voltage potentials.

To reduce the total I²C bus capacitance added by PCB parasitics, data lines (SC_n and SD_n) must be as short as possible and the widths of the traces must also be minimized (for example, 5-10 mils depending on copper weight).

9.2 Layout Example



9-1. Layout Schematic

10 Device and Documentation Support

10.1 Documentation Support

10.1.1 Related Documentation

For related documentation see the following:

- [I2C Bus Pull-Up Resistor Calculation](#)
- [Maximum Clock Frequency of I2C Bus Using Repeaters](#)
- [Introduction to Logic](#)
- [Understanding the I2C Bus](#)
- [Choosing the Correct I2C Device for New Designs](#)
- [TCA9548AEVM User's Guide](#)

10.2 ドキュメントの更新通知を受け取る方法

ドキュメントの更新についての通知を受け取るには、ti.com のデバイス製品フォルダを開いてください。「更新の通知を受け取る」をクリックして登録すると、変更されたすべての製品情報に関するダイジェストを毎週受け取れます。変更の詳細については、修正されたドキュメントに含まれている改訂履歴をご覧ください。

10.3 サポート・リソース

[TI E2E™ サポート・フォーラム](#)は、エンジニアが検証済みの回答と設計に関するヒントをエキスパートから迅速かつ直接得ることができる場所です。既存の回答を検索したり、独自の質問をしたりすることで、設計に必要な支援を迅速に得ることができます。

リンクされているコンテンツは、該当する貢献者により、現状のまま提供されるものです。これらは TI の仕様を構成するものではなく、必ずしも TI の見解を反映したものではありません。TI の[使用条件](#)を参照してください。

10.4 商標

TI E2E™ is a trademark of Texas Instruments.

すべての商標は、それぞれの所有者に帰属します。

10.5 静電気放電に関する注意事項



この IC は、ESD によって破損する可能性があります。テキサス・インスツルメンツは、IC を取り扱う際には常に適切な注意を払うことを推奨します。正しい取り扱いおよび設置手順に従わない場合、デバイスを破損するおそれがあります。

ESD による破損は、わずかな性能低下からデバイスの完全な故障まで多岐にわたります。精密な IC の場合、パラメータがわずかに変化するだけで公表されている仕様から外れる可能性があるため、破損が発生しやすくなっています。

10.6 用語集

[テキサス・インスツルメンツ用語集](#) この用語集には、用語や略語の一覧および定義が記載されています。

Mechanical, Packaging, and Orderable Information

The following pages include mechanical, packaging, and orderable information. This information is the most current data available for the designated devices. This data is subject to change without notice and revision of this document. For browser-based versions of this data sheet, refer to the left-hand navigation.

PACKAGING INFORMATION

Orderable Device	Status (1)	Package Type	Package Drawing	Pins	Package Qty	Eco Plan (2)	Lead finish/ Ball material (6)	MSL Peak Temp (3)	Op Temp (°C)	Device Marking (4/5)	Samples
TCA9548ARGERQ1	ACTIVE	VQFN	RGE	24	3000	RoHS & Green	NIPDAU	Level-2-260C-1 YEAR	-40 to 85	T9548A	Samples

(1) The marketing status values are defined as follows:

ACTIVE: Product device recommended for new designs.

LIFEBUY: TI has announced that the device will be discontinued, and a lifetime-buy period is in effect.

NRND: Not recommended for new designs. Device is in production to support existing customers, but TI does not recommend using this part in a new design.

PREVIEW: Device has been announced but is not in production. Samples may or may not be available.

OBSELETE: TI has discontinued the production of the device.

(2) **RoHS:** TI defines "RoHS" to mean semiconductor products that are compliant with the current EU RoHS requirements for all 10 RoHS substances, including the requirement that RoHS substance do not exceed 0.1% by weight in homogeneous materials. Where designed to be soldered at high temperatures, "RoHS" products are suitable for use in specified lead-free processes. TI may reference these types of products as "Pb-Free".

RoHS Exempt: TI defines "RoHS Exempt" to mean products that contain lead but are compliant with EU RoHS pursuant to a specific EU RoHS exemption.

Green: TI defines "Green" to mean the content of Chlorine (Cl) and Bromine (Br) based flame retardants meet JS709B low halogen requirements of <=1000ppm threshold. Antimony trioxide based flame retardants must also meet the <=1000ppm threshold requirement.

(3) MSL, Peak Temp. - The Moisture Sensitivity Level rating according to the JEDEC industry standard classifications, and peak solder temperature.

(4) There may be additional marking, which relates to the logo, the lot trace code information, or the environmental category on the device.

(5) Multiple Device Markings will be inside parentheses. Only one Device Marking contained in parentheses and separated by a "-" will appear on a device. If a line is indented then it is a continuation of the previous line and the two combined represent the entire Device Marking for that device.

(6) Lead finish/Ball material - Orderable Devices may have multiple material finish options. Finish options are separated by a vertical ruled line. Lead finish/Ball material values may wrap to two lines if the finish value exceeds the maximum column width.

Important Information and Disclaimer:The information provided on this page represents TI's knowledge and belief as of the date that it is provided. TI bases its knowledge and belief on information provided by third parties, and makes no representation or warranty as to the accuracy of such information. Efforts are underway to better integrate information from third parties. TI has taken and continues to take reasonable steps to provide representative and accurate information but may not have conducted destructive testing or chemical analysis on incoming materials and chemicals. TI and TI suppliers consider certain information to be proprietary, and thus CAS numbers and other limited information may not be available for release.

In no event shall TI's liability arising out of such information exceed the total purchase price of the TI part(s) at issue in this document sold by TI to Customer on an annual basis.

OTHER QUALIFIED VERSIONS OF TCA9548A-Q1 :

- Catalog : [TCA9548A](#)

NOTE: Qualified Version Definitions:

- Catalog - TI's standard catalog product

TAPE AND REEL INFORMATION

QUADRANT ASSIGNMENTS FOR PIN 1 ORIENTATION IN TAPE


*All dimensions are nominal

Device	Package Type	Package Drawing	Pins	SPQ	Reel Diameter (mm)	Reel Width W1 (mm)	A0 (mm)	B0 (mm)	K0 (mm)	P1 (mm)	W (mm)	Pin1 Quadrant
TCA9548ARGERQ1	VQFN	RGE	24	3000	330.0	12.4	4.25	4.25	1.15	8.0	12.0	Q2

TAPE AND REEL BOX DIMENSIONS


*All dimensions are nominal

Device	Package Type	Package Drawing	Pins	SPQ	Length (mm)	Width (mm)	Height (mm)
TCA9548ARGERQ1	VQFN	RGE	24	3000	367.0	367.0	35.0

GENERIC PACKAGE VIEW

RGE 24

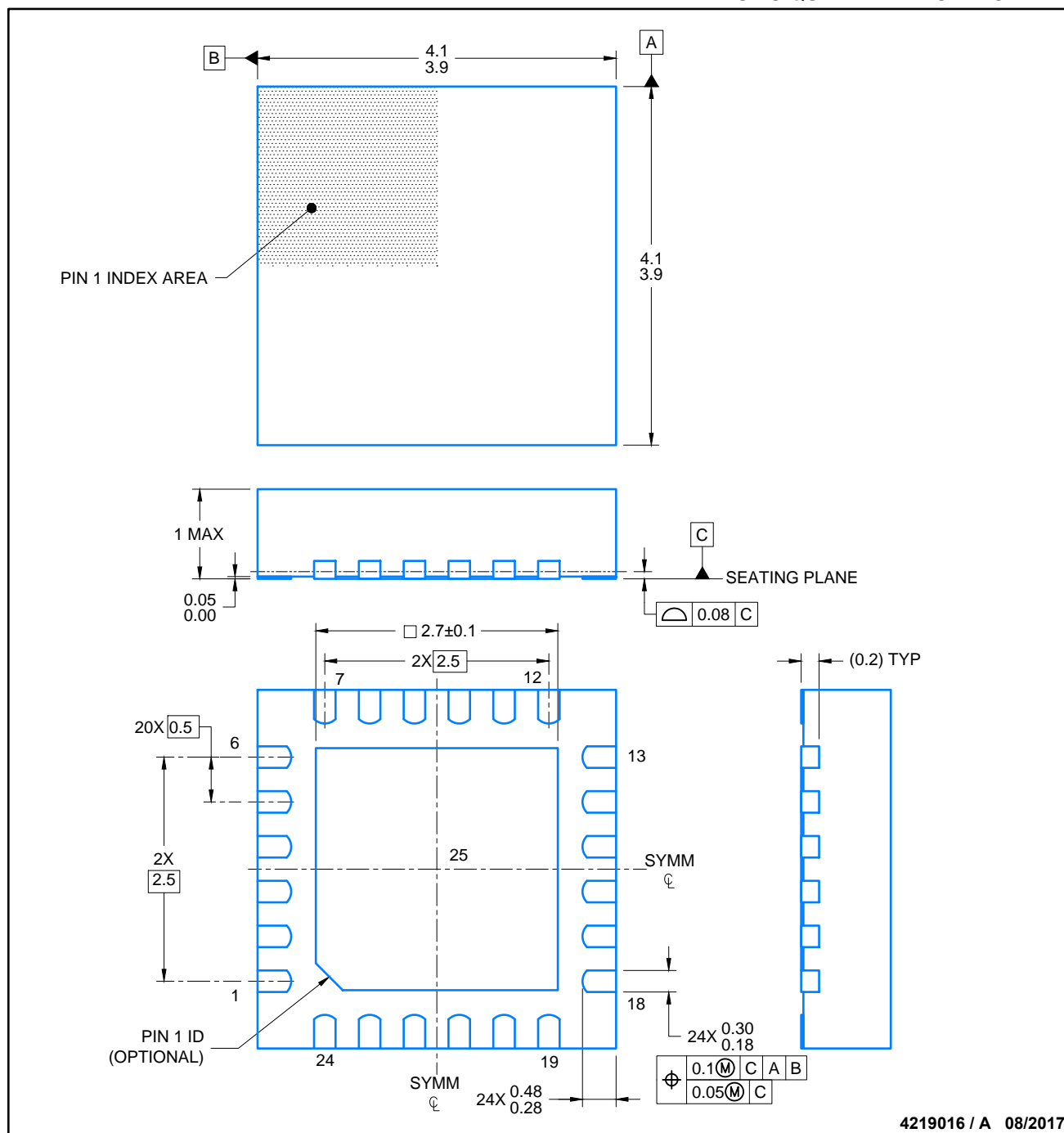
VQFN - 1 mm max height

PLASTIC QUAD FLATPACK - NO LEAD



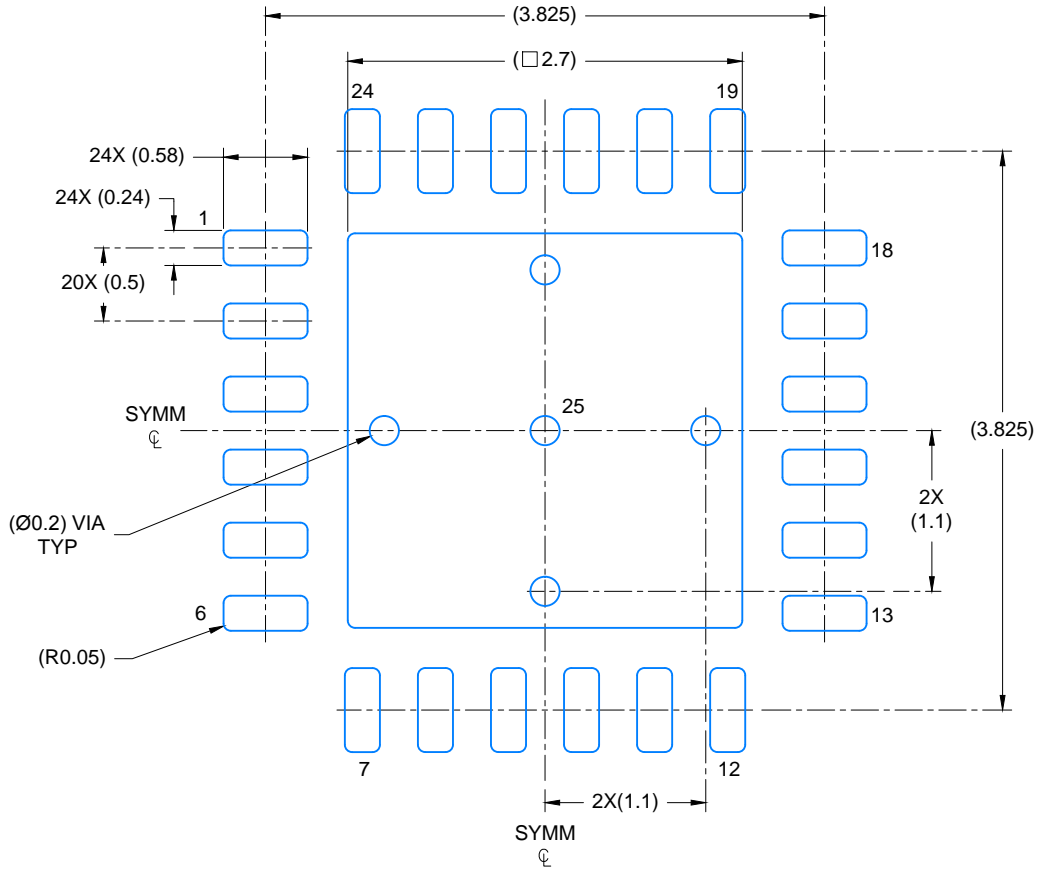
Images above are just a representation of the package family, actual package may vary.
Refer to the product data sheet for package details.

4204104/H

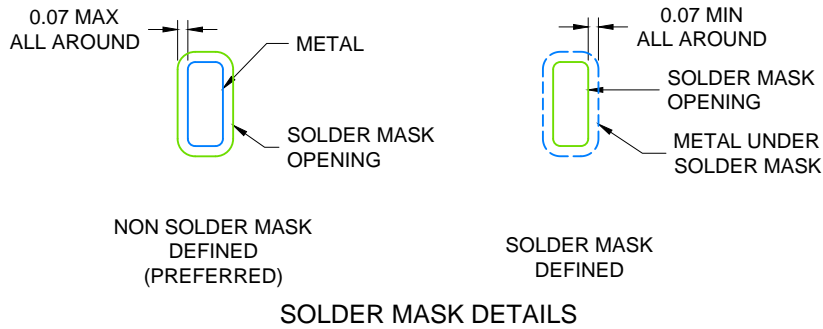


NOTES:

1. All linear dimensions are in millimeters. Any dimensions in parenthesis are for reference only. Dimensioning and tolerancing per ASME Y14.5M.
2. This drawing is subject to change without notice.
3. The package thermal pad must be soldered to the printed circuit board for thermal and mechanical performance.



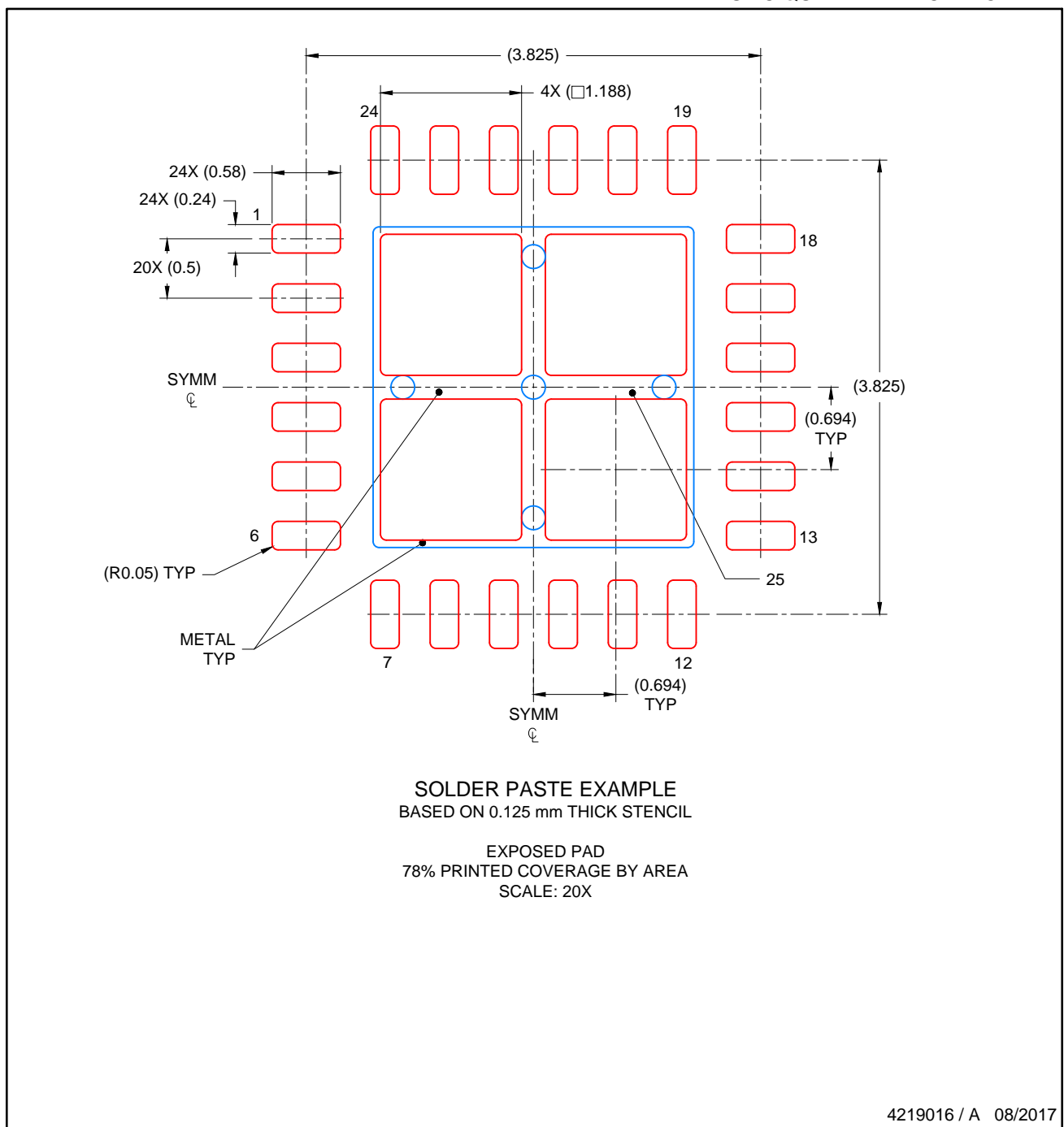
LAND PATTERN EXAMPLE
SCALE: 20X



4219016 / A 08/2017

NOTES: (continued)

4. This package is designed to be soldered to a thermal pad on the board. For more information, see Texas Instruments literature number SLUA271 (www.ti.com/lit/slua271).
5. Solder mask tolerances between and around signal pads can vary based on board fabrication site.



NOTES: (continued)

- 6. Laser cutting apertures with trapezoidal walls and rounded corners may offer better paste release. IPC-7525 may have alternate design recommendations..

重要なお知らせと免責事項

TI は、技術データと信頼性データ (データシートを含みます)、設計リソース (リファレンス・デザインを含みます)、アプリケーションや設計に関する各種アドバイス、Web ツール、安全性情報、その他のリソースを、欠陥が存在する可能性のある「現状のまま」提供しており、商品性および特定目的に対する適合性の黙示保証、第三者の知的財産権の非侵害保証を含むいかなる保証も、明示的または黙示的にかかわらず拒否します。

これらのリソースは、TI 製品を使用する設計の経験を積んだ開発者への提供を意図したものです。(1) お客様のアプリケーションに適した TI 製品の選定、(2) お客様のアプリケーションの設計、検証、試験、(3) お客様のアプリケーションに該当する各種規格や、その他のあらゆる安全性、セキュリティ、規制、または他の要件への確実な適合に関する責任を、お客様のみが単独で負うものとし、

上記の各種リソースは、予告なく変更される可能性があります。これらのリソースは、リソースで説明されている TI 製品を使用するアプリケーションの開発の目的でのみ、TI はその使用をお客様に許諾します。これらのリソースに関して、他の目的で複製することや掲載することは禁止されています。TI や第三者の知的財産権のライセンスが付与されている訳ではありません。お客様は、これらのリソースを自身で使用した結果発生するあらゆる申し立て、損害、費用、損失、責任について、TI およびその代理人を完全に補償するものとし、TI は一切の責任を拒否します。

TI の製品は、[TI の販売条件](#)、または [ti.com](https://www.ti.com) やかかる TI 製品の関連資料などのいずれかを通じて提供する適用可能な条項の下で提供されています。TI がこれらのリソースを提供することは、適用される TI の保証または他の保証の放棄の拡大や変更を意味するものではありません。

お客様がいかなる追加条項または代替条項を提案した場合でも、TI はそれらに異議を唱え、拒否します。

郵送先住所 : Texas Instruments, Post Office Box 655303, Dallas, Texas 75265
Copyright © 2023, Texas Instruments Incorporated