

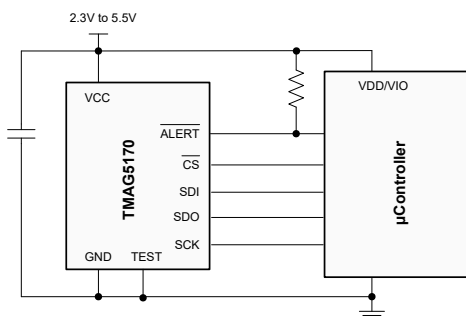
TMAG5170 高精度 3D リニア・ホール・エフェクト・センサ、SPI 付き

1 特長

- 位置センシング速度と精度を最適化する高精度リニア 3D ホール・エフェクト・センサ:
 - 線形測定の合計誤差: $\pm 2.6\%$ (最大値、25°C)
 - 感度の温度ドリフト: $\pm 2.8\%$ (最大値)
 - 1 軸で 20kSPS の変換レート
- 10MHz のシリアル・ペリフェラル・インターフェイス (SPI)、巡回冗長性検査 (CRC) 機能付き
- デジタル出力温度センサ内蔵、 $\pm 2^\circ\text{C}$ 未満の精度
- X、Y、Z の磁気範囲を独立に選択可能:
 - TMAG5170A1: ± 25 、 ± 50 、 $\pm 100\text{mT}$
 - TMAG5170A2: ± 75 、 ± 150 、 $\pm 300\text{mT}$
- 5nA (標準値) のディープ・スリープ・モード電流
- スレッシュホールド検出のために 1.5 μA しか消費しない自律的なウェイクアップおよびスリープモード
- センサ変換を開始する、または変換完了を示す **ALERT** 機能
- フォルト検出用の診断機能を内蔵
- ゲインおよびオフセット調整付き角度 CORDIC 計算機能を内蔵
- 2.3V~5.5V の動作電源電圧範囲
- 動作温度範囲: -40°C ~ $+150^\circ\text{C}$

2 アプリケーション

- ロボット・アームのセンサ
- 移動型ロボットのモーター制御
- 近接センサ
- リニア・モーター位置センサ
- サーボ・ドライブ位置センサ
- アクチュエータ
- ロボット芝刈り機
- ロボット掃除機
- 洗濯機 / 乾燥機
- ドア・センサおよび窓センサ



アプリケーションのブロック図

3 概要

TMAG5170 は、幅広い産業用およびパーソナル・エレクトロニクス・アプリケーション向けに設計された高精度 3D ホール・エフェクト・センサです。高いレベルの統合により、各種の位置センシング・システムでフレキシビリティと精度を実現できます。このデバイスは X、Y、Z 軸に対して 3 つの独立したホール・センサを備えています。

高精度シグナル・チェーンと内蔵の 12 ビット ADC により、高精度で低ドリフトの磁界測定を実現すると同時に、最高 20ksps のサンプリングをサポートします。オンチップの温度センサのデータを利用して、システム・レベルのドリフト補償を実施できます。

統合型角度計算エンジン (CORDIC) は、軸上と軸外の両方の角度測定トポロジについて、 360°C の角度位置情報を提供します。角度の計算は、ユーザーが選択した 2 つの磁気軸を使用して行います。このデバイスは磁気ゲインおよびオフセットの補正機能を搭載しており、システムの機械的誤差による影響を緩和します。

TMAG5170 は SPI を介して構成することにより、磁気軸と温度測定を自由に組み合わせて使用できます。複数のセンサ変換方式と SPI リード・フレームにより、スループットと精度を最適化できます。低消費電力のウェイクアップおよびスリープ・モード時に、専用の **ALERT** ピンをシステム割り込みとして使用でき、マイクロコントローラによって新しいセンサ変換をトリガすることもできます。

TMAG5170 は、システム・レベルとデバイス・レベルの両方の障害を検出および報告するためのさまざまな診断機能を備えています。SPI 通信は、ユーザーが選択できる巡回冗長性検査 (CRC) 機能を備えており、データの整合性が向上します。

このデバイスには 2 つの異なる注文可能製品があり、 $\pm 25\text{mT}$ ~ $\pm 300\text{mT}$ の広い範囲の磁界をサポートしています。

このデバイスは、 -40°C ~ $+150^\circ\text{C}$ の広い周囲温度範囲で正常に動作します。

製品情報⁽¹⁾

| 部品番号 | パッケージ | 本体サイズ (公称) |
|----------|-----------|-----------------|
| TMAG5170 | VSSOP (8) | 3.00mm × 3.00mm |

- (1) 提供されているすべてのパッケージについては、データシートの末尾にあるパッケージ・オプションについての付録を参照してください。



Table of Contents

| | | | |
|------------------------------------------------|----|--------------------------------------------------------|----|
| 1 特長 | 1 | 7.4 Device Functional Modes..... | 22 |
| 2 アプリケーション | 1 | 7.5 Programming..... | 25 |
| 3 概要 | 1 | 7.6 Register Map..... | 33 |
| 4 Revision History | 2 | 8 Application and Implementation | 45 |
| 5 Pin Configuration and Functions | 3 | 8.1 Application Information..... | 45 |
| 6 Specifications | 4 | 8.2 Typical Application..... | 48 |
| 6.1 Absolute Maximum Ratings | 4 | 8.3 Do's and Don'ts..... | 50 |
| 6.2 ESD Ratings | 4 | 9 Power Supply Recommendations | 51 |
| 6.3 Recommended Operating Conditions | 4 | 10 Layout | 51 |
| 6.4 Thermal Information | 4 | 10.1 Layout Guidelines..... | 51 |
| 6.5 Electrical Characteristics | 5 | 10.2 Layout Example..... | 52 |
| 6.6 Magnetic Characteristics | 6 | 11 Device and Documentation Support | 53 |
| 6.7 Power up Timing | 10 | 11.1 Receiving Notification of Documentation Updates.. | 53 |
| 6.8 SPI Interface Timing | 10 | 11.2 サポート・リソース..... | 53 |
| 6.9 Typical Characteristics..... | 11 | 11.3 Trademarks..... | 53 |
| 7 Detailed Description | 15 | 11.4 Electrostatic Discharge Caution..... | 53 |
| 7.1 Overview..... | 15 | 11.5 Glossary..... | 53 |
| 7.2 Functional Block Diagram..... | 15 | 12 Mechanical, Packaging, and Orderable | |
| 7.3 Feature Description..... | 15 | Information | 53 |

4 Revision History

資料番号末尾の英字は改訂を表しています。その改訂履歴は英語版に準じています。

| DATE | REVISION | NOTES |
|----------------|----------|-----------------|
| September 2021 | * | Initial Release |

5 Pin Configuration and Functions

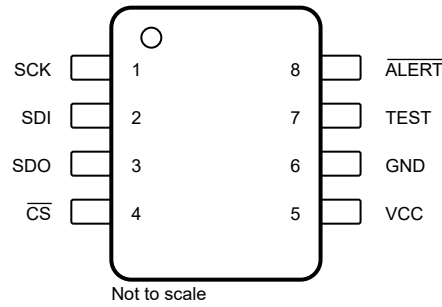


图 5-1. DGK Package 8-Pin VSSOP Top View

表 5-1. Pin Functions

| PIN | | TYPE ⁽¹⁾ | DESCRIPTION |
|-----|---------------------------|---------------------|--------------------------------------------------------------|
| NO. | NAME | | |
| 1 | SCK | I | Serial clock |
| 2 | SDI | I | Serial data in |
| 3 | SDO | O | Serial data out |
| 4 | $\overline{\text{CS}}$ | I | Chip select |
| 5 | VCC | P | Main power supply. Handles 2.3-V to 5.5-V power supply input |
| 6 | GND | G | Ground reference |
| 7 | TEST | P | TI test pin. Should be grounded in application |
| 8 | $\overline{\text{ALERT}}$ | I/O | Status output/trigger |

(1) I = input, O = output, I/O = input and output, G = ground, P = power

6 Specifications

6.1 Absolute Maximum Ratings

over operating free-air temperature range (unless otherwise noted)⁽¹⁾

| | | MIN | MAX | UNIT |
|------------------|------------------------------------------------|------|-----------|------|
| V _{VCC} | Main supply voltage | -0.3 | 7 | V |
| I _{OUT} | Output current, SDO, $\overline{\text{ALERT}}$ | -10 | 10 | mA |
| V _{OUT} | Output voltage, SDO, $\overline{\text{ALERT}}$ | -0.3 | 7 | V |
| B _{MAX} | Magnetic flux density | | Unlimited | T |
| T _J | Junction temperature | -40 | 170 | °C |
| T _{stg} | Storage temperature | -65 | 150 | °C |

- (1) Stresses beyond those listed under *Absolute Maximum Rating* may cause permanent damage to the device. These are stress ratings only, which do not imply functional operation of the device at these or any other conditions beyond those indicated under *Recommended Operating Condition*. Exposure to absolute-maximum-rated conditions for extended periods may affect device reliability.

6.2 ESD Ratings

| | | | VALUE | UNIT |
|--------------------|-------------------------|------------------------------------------------------------------------------------------|-------|------|
| V _(ESD) | Electrostatic discharge | Human body model (HBM), per ANSI/ESDA/ JEDEC JS-001, all pins ⁽¹⁾ | ±3500 | V |
| | | Charged device model (CDM), per JEDEC specification JESD22-C101, all pins ⁽²⁾ | ±1000 | |

- (1) JEDEC document JEP155 states that 500-V HBM allows safe manufacturing with a standard ESD control process.
(2) JEDEC document JEP157 states that 250-V CDM allows safe manufacturing with a standard ESD control process.

6.3 Recommended Operating Conditions

over operating free-air temperature range (unless otherwise noted)

| | | MIN | NOM | MAX | UNIT |
|------------------------|-------------------------------------------------------|------|-----|------|------------------|
| V _{VCC} | Main supply voltage | 2.3 | | 5.5 | V |
| I _{OUT} | Output current, SDO | -2 | | 2 | mA |
| I _{OUT} | Output current, $\overline{\text{ALERT}}$ | 0 | | 2 | mA |
| V _{IH} | Input HIGH voltage, SDI, $\overline{\text{CS}}$, SCK | 0.75 | | | V _{VCC} |
| V _{IL} | Input LOW voltage, SDI, $\overline{\text{CS}}$, SCK | | | 0.25 | V _{VCC} |
| t _{w_trigger} | Pulse width for conversion trigger input signal | 1 | | 25 | μs |
| T _A | Operating free air temperature | -40 | | 150 | C |

6.4 Thermal Information

| THERMAL METRIC ⁽¹⁾ | | TMAG5170 | | UNIT |
|-------------------------------|----------------------------------------------|--------------|--|------|
| | | DGK (8-MSOP) | | |
| | | PINS | | |
| R _{θJA} | Junction-to-ambient thermal resistance | 170.9 | | °C/W |
| R _{θJC(top)} | Junction-to-case (top) thermal resistance | 63.0 | | °C/W |
| R _{θJB} | Junction-to-board thermal resistance | 91.7 | | °C/W |
| Ψ _{JT} | Junction-to-top characterization parameter | 8.7 | | °C/W |
| Ψ _{JB} | Junction-to-board characterization parameter | 90.2 | | °C/W |

- (1) For more information about traditional and new thermal metrics, see the [Semiconductor and IC Package Thermal Metrics](#) application report.

6.5 Electrical Characteristics

over operating free-air temperature range (unless otherwise noted)

| PARAMETER | | TEST CONDITIONS | MIN | TYP | MAX | UNIT |
|-------------------------|----------------------------------------------------------------------------------------------------------|----------------------------------------------------------------------------------------|-----------------------|-----|-----------------|---------|
| SDO, ALERT | | | | | | |
| V _{OH} | Output HIGH voltage, SDO pin | I _{OUT} = -2mA | V _{CC} - 0.4 | | V _{CC} | V |
| V _{OL} | Output LOW voltage, SDO pin | I _{OUT} = 2mA | 0 | | 0.4 | V |
| V _{OL} | Output LOW voltage, $\overline{\text{ALERT}}$ pin | I _{OUT} = 2mA | 0 | | 0.4 | V |
| t _{FALL_ALERT} | $\overline{\text{ALERT}}$ output fall time | R _{PU} = 10K Ω , C _L = 20pF, V _{CC} = 2.3V to 5.5V | | 50 | | ns |
| t _{ALERT} | $\overline{\text{ALERT}}$ output pulse width with conversion complete or threshold cross interrupt event | ALERT_MODE = 0b, Interrupt & Trigger Mode | | 5 | | μ s |
| t _{ALERT} | $\overline{\text{ALERT}}$ output pulse width with other interrupt events | ALERT_MODE = 0b, Interrupt & Trigger Mode | | 31 | | μ s |
| I _{OZ} | Output Leakage current, $\overline{\text{ALERT}}$ pin | ALERT pin disabled, V _{OZ} = 5.5V | | 30 | | nA |
| DC Power | | | | | | |
| V _{VCC_UV} | Under voltage threshold at VCC | | | 2.1 | | V |
| V _{VCC_OV} | Over voltage threshold at VCC | | | 5.9 | | V |
| I _{ACT} | Active mode current from VCC | $\overline{\text{CS}}$ high, VCC = 5.5V | | 3.4 | | mA |
| I _{STDBY} | Stand-by mode current from VCC | $\overline{\text{CS}}$ high, VCC = 5.5V | | 840 | | μ A |
| I _{CFG} | Configuration mode current from VCC | $\overline{\text{CS}}$ high, VCC = 5.5V | | 60 | | μ A |
| I _{SLP} | Sleep mode current from VCC | $\overline{\text{CS}}$ high, VCC = 5.5V | | 1.5 | | μ A |
| I _{DEEP_SLP} | Deep sleep mode current from VCC | $\overline{\text{CS}}$ high, VCC = 5.5V | | 5 | | nA |

over operating free-air temperature range (unless otherwise noted)

| PARAMETER | | TEST CONDITIONS | MIN | TYP | MAX | UNIT |
|----------------------------|---------------------------------------------------------------------------|-------------------------------------------------------------------------------|------|-------|------|------------------|
| Average Power | | | | | | |
| I_{VCC_DCM} | Duty-cycle mode current consumption, one channel enabled, CONV_AVG = 000 | Data active rate 1000Hz, $V_{VCC} = 5V$ | | 245 | | μA |
| | | Data active rate 100Hz, $V_{VCC} = 5V$ | | 32 | | μA |
| | | Data active rate 10Hz, $V_{VCC} = 5V$ | | 4.5 | | μA |
| | | Data active rate 1Hz, $V_{VCC} = 5V$ | | 1.5 | | μA |
| | Duty-cycle mode current consumption, two channels enabled, CONV_AVG = 000 | Data active rate 1000Hz, $V_{VCC} = 5V$ | | 292 | | μA |
| | | Data active rate 100Hz, $V_{VCC} = 5V$ | | 39 | | μA |
| | | Data active rate 10Hz, $V_{VCC} = 5V$ | | 5 | | μA |
| | | Data active rate 1Hz, $V_{VCC} = 5V$ | | 1.6 | | μA |
| Operating Speed | | | | | | |
| $t_{measure}$ | Conversion time ⁽¹⁾ | CONV_AVG = 000, OPERATING_MODE = 010, only one channel enabled ⁽²⁾ | | 50 | | μs |
| | | CONV_AVG = 101, OPERATING_MODE = 010, only one channel enabled ⁽³⁾ | | 825 | | μs |
| f_{HFOSC} | Internal high-frequency oscillator speed | | 3 | 3.2 | 3.5 | MHz |
| f_{LFOSC} | Internal low-frequency oscillator speed | | 13.5 | 16 | 19.5 | KHz |
| Temperature Sensing | | | | | | |
| T_{SENS_RANGE} | Temperature sensing range | | -40 | | 170 | $^{\circ}C$ |
| T_{SENS_T0} | Reference temperature for TADC _{T0} | | 23 | 25 | 27 | $^{\circ}C$ |
| TADC _{T0} | TEMP_RESULT decimal value @ T_{SENS_T0} | | | 17522 | | |
| TADC _{RES} | Temp sensing resolution | | 58.2 | 60.0 | 61.8 | LSB/ $^{\circ}C$ |
| NRMS (T) | RMS (1 Sigma) temperature noise | CONV_AVG = 101 | | 0.06 | | $^{\circ}C$ |
| NRMS (T) | RMS (1 Sigma) temperature noise | CONV_AVG = 000 | | 0.35 | | $^{\circ}C$ |

- (1) To calculate the time between conversion request and the availability of the conversion result, add the initialization time to the $t_{measure}$ as explained in Comparing Operating Modes Table. For continuous conversion, the initialization time is applicable only for the first conversion.
- (2) Add 25 μs for each additional channel enabled for conversion with CONV_AVG = 000.
- (3) For conversion with CONV_AVG = 101, each axis data is collected 32 times. If an additional channel is enabled with CONV_AVG = 101, add 32 \times 25 μs = 800 μs to the $t_{measure}$ to calculate the conversion time for two axes.

6.6 Magnetic Characteristics

over operating free-air temperature range (unless otherwise noted)

| PARAMETER | | TEST CONDITIONS | MIN | TYP | MAX | UNIT |
|--------------------------------------|--------------------------------------------------------------------------------|-----------------------------------------------------------|-----|-------------|-------------|--------|
| TMAG5170A1 | | | | | | |
| B_{IN_A1} | Linear magnetic range | $x_RANGE^{(2)} = 00b$ | | ± 50 | | mT |
| | | $x_RANGE^{(2)} = 01b$ | | ± 25 | | mT |
| | | $x_RANGE^{(2)} = 10b$ | | ± 100 | | mT |
| SENS _{50_A1} | Sensitivity; X, Y, or Z axis | $x_RANGE^{(2)} = 00b$ | | 654 | | LSB/mT |
| SENS _{25_A1} | | $x_RANGE^{(2)} = 01b$ | | 1308 | | LSB/mT |
| SENS _{100_A1} | | $x_RANGE^{(2)} = 10b$ | | 326 | | LSB/mT |
| SENS _{ER_25C_A1} | Sensitivity error; X, Y, or Z axis, 25mT, 50mT range | $T_A = 25^{\circ}C$ | | $\pm 0.5\%$ | $\pm 2.5\%$ | |
| SENS _{ER_25C_A1} | Sensitivity error; X, Y, or Z axis; 100mT range | $T_A = 25^{\circ}C$ | | $\pm 0.5\%$ | $\pm 3.5\%$ | |
| SENS _{DR_A1} ⁽¹⁾ | Sensitivity Drift from 25 $^{\circ}C$ value; X, Y, or Z axis; 25mT, 50mT range | MAG_TEMP_CO = 00b, $T_A = 25^{\circ}C$ to 125 $^{\circ}C$ | | $\pm 0.9\%$ | $\pm 2.8\%$ | |

over operating free-air temperature range (unless otherwise noted)

| PARAMETER | | TEST CONDITIONS | MIN | TYP | MAX | UNIT |
|--------------------------------------------|----------------------------------------------------------------------|-----------------------------------------------------------------------|------|--------|-------|-------|
| SENS _{DR_A1} ⁽¹⁾ | Sensitivity Drift from 25°C value; X, Y, or Z axis; 25mT, 50mT range | MAG_TEMP_CO = 00b, T _A = 25°C to –40°C | | ±1.2% | ±4.3% | |
| SENS _{DR_A1} ⁽¹⁾ | Sensitivity Drift from 25°C value; X, Y, or Z axis; 25mT, 50mT range | MAG_TEMP_CO = 01b, 10b, 11b; T _A = –40°C to 125°C | | ±1.2% | ±3.8% | |
| SENS _{DR_A1} ⁽¹⁾ | Sensitivity Drift from 25°C value; X, Y, or Z axis; 100mT range | T _A = 25°C to 125°C | | ±1.0% | ±4.0% | |
| SENS _{DR_A1} ⁽¹⁾ | Sensitivity Drift from 25°C value; X, Y, or Z axis; 100mT range | T _A = 25°C to –40°C | | ±1.2% | ±4.6% | |
| SENS _{LDR_A1} | Sensitivity Lifetime drift, X, Y, Z axis | | | ±0.5% | | |
| SENS _{LER_XY_A1} | Sensitivity Linearity Error, X, Y-axis | T _A = 25°C | | ±0.1% | | |
| SENS _{LER_Z_A1} | Sensitivity Linearity Error, Z axis | | | ±0.05% | | |
| SENS _{MS_XY_A1} | Sensitivity mismatch among X-Y axes | T _A = 25°C | | ±0.02% | ±3.5% | |
| SENS _{MS_YZ_A1} | Sensitivity mismatch among Y-Z axes | T _A = 25°C | | ±0.17% | ±4.5% | |
| SENS _{MS_XZ_A1} | Sensitivity mismatch among X-Z axes | T _A = 25°C | | ±0.15% | ±4.0% | |
| SENS _{MS_DR_XY_A1} ⁽¹⁾ | Sensitivity mismatch drift from 25°C value; X-Y axes | T _A = 25°C to 125°C | | ±0.8% | ±4.0% | |
| SENS _{MS_DR_XY_A1} | Sensitivity mismatch drift from 25°C value; X-Y axes | T _A = 25°C to –40°C | | ±0.5% | ±3.4% | |
| SENS _{MS_DR_YZ_A1} ⁽¹⁾ | Sensitivity mismatch drift from 25°C value; Y-Z axes | T _A = 25°C to 125°C | | ±0.7% | ±3.5% | |
| SENS _{MS_DR_YZ_A1} | Sensitivity mismatch drift from 25°C value; Y-Z axes | T _A = 25°C to –40°C | | ±0.5% | ±3.6% | |
| SENS _{MS_DR_XZ_A1} ⁽¹⁾ | Sensitivity mismatch drift from 25°C value; X-Z axes | T _A = 25°C to 125°C | | ±1.4% | ±4.2% | |
| SENS _{MS_DR_XZ_A1} ⁽¹⁾ | Sensitivity mismatch drift from 25°C value; X-Z axes | T _A = 25°C to –40°C | | ±0.1% | ±3.5% | |
| B _{off_A1} | Offset; X, Y, or Z axis; 25mT, 50mT range | T _A = 25°C | | –10 | ±200 | μT |
| B _{off_A1} | Offset; X, Y, or Z axis; 100mT range | T _A = 25°C | | –150 | ±350 | μT |
| B _{off_DR_A1} ⁽¹⁾ | Offset drift from 25°C value; X or Y axis | T _A = 25°C to 125°C | | 0 | ±5.0 | μT/°C |
| B _{off_DR_A1} ⁽¹⁾ | Offset drift from 25°C value; Z axis | T _A = 25°C to 125°C | | 0 | ±1.5 | μT/°C |
| B _{off_DR_A1} ⁽¹⁾ | Offset drift from 25°C value; X or Y axis | T _A = 25°C to –40°C | –6.5 | –1.5 | 2.5 | μT/°C |
| B _{off_DR_A1} ⁽¹⁾ | Offset drift from 25°C value; Z axis | T _A = 25°C to –40°C | –3.0 | –1.0 | 1.0 | μT/°C |
| B _{off_DR_A1} | Offset Lifetime drift | | | ±50 | | μT |
| N _{RMS_XY_FAST_A1} | RMS (1 Sigma) magnetic noise (X or Y-axis) | x_RANGE ⁽²⁾ = 00b; CONV_AVG = 000b, T _A = 25°C | | 140 | 191 | μT |
| N _{RMS_XY_FAST_A1} | RMS (1 Sigma) magnetic noise (X or Y-axis) | x_RANGE ⁽²⁾ = 00b; CONV_AVG = 000b, T _A = 125°C | | 170 | 228 | μT |
| N _{RMS_XY_SLOW_A1} | RMS (1 Sigma) magnetic noise (X or Y-axis) | x_RANGE ⁽²⁾ = 00b; CONV_AVG = 101b, T _A = 25°C | | 24 | 34 | μT |
| N _{RMS_XY_SLOW_A1} | RMS (1 Sigma) magnetic noise (X or Y-axis) | x_RANGE ⁽²⁾ = 00b; CONV_AVG = 101b, T _A = 125°C | | 30 | 41 | μT |
| N _{RMS_Z_FAST_A1} | RMS (1 Sigma) magnetic noise (Z axis) | Z_RANGE = 00b; CONV_AVG = 000b, T _A = 25°C | | 61 | 76 | μT |
| N _{RMS_Z_FAST_A1} | RMS (1 Sigma) magnetic noise (Z axis) | Z_RANGE = 00b; CONV_AVG = 000b, T _A = 125°C | | 70 | 84 | μT |
| N _{RMS_Z_SLOW_A1} | RMS (1 Sigma) magnetic noise (Z axis) | Z_RANGE = 00b; CONV_AVG = 101b, T _A = 25°C | | 11 | 14.2 | μT |
| N _{RMS_Z_SLOW_A1} | RMS (1 Sigma) magnetic noise (Z axis) | Z_RANGE = 00b; CONV_AVG = 101b, T _A = 125°C | | 13 | 15.2 | μT |

over operating free-air temperature range (unless otherwise noted)

| PARAMETER | TEST CONDITIONS | MIN | TYP | MAX | UNIT |
|-----------------------------------------------|-------------------------------------------------------------------------|-----------------------------------------------|--------|-------|--------|
| A _{ERR_Y_Z_00_101_A1} ⁽³⁾ | Y-Z Angle error in full 360 degree rotation, 25°C | x_RANGE ⁽²⁾ = 00b, CONV_AVG = 101b | ±0.5 | | Degree |
| A _{ERR_X_Z_00_101_A1} ⁽³⁾ | X-Z Angle error in full 360 degree rotation, 25°C | x_RANGE ⁽²⁾ = 00b, CONV_AVG = 101b | ±0.5 | | Degree |
| A _{ERR_X_Y_00_101_A1} ⁽³⁾ | X-Y Angle error in full 360 degree rotation, 25°C | x_RANGE ⁽²⁾ = 00b, CONV_AVG = 101b | ±0.4 | | Degree |
| TMAG5170A2 | | | | | |
| B _{IN_A2} | Linear magnetic range | x_RANGE ⁽²⁾ = 00b | ±150 | | mT |
| | | x_RANGE ⁽²⁾ = 01b | ±75 | | mT |
| | | x_RANGE ⁽²⁾ = 10b | ±300 | | mT |
| SENS _{150_A2} | Sensitivity, X, Y, or Z axis | x_RANGE ⁽²⁾ = 00b | 218 | | LSB/mT |
| SENS _{75_A2} | | x_RANGE ⁽²⁾ = 01b | 436 | | LSB/mT |
| SENS _{300_A2} | | x_RANGE ⁽²⁾ = 10b | 108 | | LSB/mT |
| SENS _{ER_25C_A2} | Sensitivity error; X, Y, or Z axis, 75mT, 150mT range | T _A = 25°C | ±0.5% | ±3.5% | |
| SENS _{ER_25C_A2} | Sensitivity error; X, Y, or Z axis, 300mT range | T _A = 25°C | ±0.5% | ±6.0% | |
| SENS _{DR_A2} ⁽¹⁾ | Sensitivity Drift from 25°C value; X, Y, or Z axis; 75mT, 150mT range | T _A = -40°C to 125°C | ±0.5% | ±4.5% | |
| SENS _{DR_A2} ⁽¹⁾ | Sensitivity Drift from 25°C value; X, Y, or Z axis; 300mT range | T _A = 25°C to 125°C | ±0.5% | ±4.0% | |
| SENS _{DR_A2} ⁽¹⁾ | Sensitivity Drift from 25°C value; X, Y, or Z axis; 300mT range | T _A = 25°C to -40°C | ±1.6% | ±6.2% | |
| SENS _{LER_XY_A2} | Sensitivity Linearity Error, X, Y-axis | T _A = 25°C | ±0.1% | | |
| SENS _{LER_Z_A2} | Sensitivity Linearity Error, Z axis | T _A = 25°C | ±0.1% | | |
| SENS _{LDR_A2} | Sensitivity Lifetime drift, X, Y, Z axis | | ±0.6% | | |
| SENS _{MS_XY_A2} | Sensitivity mismatch among X-Y axes; 75mT, 150mT range | T _A = 25°C | ±0.37% | ±2.8% | |
| SENS _{MS_XY_A2} | Sensitivity mismatch among X-Y axes; 300mT range | T _A = 25°C | ±0.42% | ±5.8% | |
| SENS _{MS_YZ_A2} | Sensitivity mismatch among Y-Z axes; 75mT, 150mT range | T _A = 25°C | ±0.41% | ±4.3% | |
| SENS _{MS_YZ_A2} | Sensitivity mismatch among Y-Z axes; 300mT range | T _A = 25°C | ±0.37% | ±6.0% | |
| SENS _{MS_XZ_A2} | Sensitivity mismatch among X-Z axes; 75mT, 150mT range | T _A = 25°C | ±0.38% | ±3.6% | |
| SENS _{MS_XZ_A2} | Sensitivity mismatch among X-Z axes; 300mT range | T _A = 25°C | ±1.2% | ±7.5% | |
| SENS _{MS_DR_XY_A2} ⁽¹⁾ | Sensitivity mismatch drift from 25°C value; X-Y axes; 75mT, 150mT range | T _A = -40°C to 125°C | ±0.5% | ±4.0% | |
| SENS _{MS_DR_XY_A2} ⁽¹⁾ | Sensitivity mismatch drift from 25°C value; X-Y axes; 300mT range | T _A = 25°C to 125°C | ±0.5% | ±5.2% | |
| SENS _{MS_DR_XY_A2} ⁽¹⁾ | Sensitivity mismatch drift from 25°C value; X-Y axes; 300mT range | T _A = 25°C to -40°C | ±0.9% | ±7.6% | |
| SENS _{MS_DR_YZ_A2} ⁽¹⁾ | Sensitivity mismatch drift from 25°C value; Y-Z axes; 75mT, 150mT range | T _A = -40°C to 125°C | ±0.4% | ±4.0% | |
| SENS _{MS_DR_YZ_A2} ⁽¹⁾ | Sensitivity mismatch drift from 25°C value; Y-Z axes; 300mT range | T _A = 25°C to 125°C | ±0.2% | ±5.4% | |
| SENS _{MS_DR_YZ_A2} ⁽¹⁾ | Sensitivity mismatch drift from 25°C value; Y-Z axes; 300mT range | T _A = 25°C to -40°C | ±0.5% | ±8.1% | |
| SENS _{MS_DR_XZ_A2} ⁽¹⁾ | Sensitivity mismatch drift from 25°C value; X-Z axes; 75mT, 150mT range | T _A = -40°C to 125°C | ±0.2% | ±5.5% | |

over operating free-air temperature range (unless otherwise noted)

| PARAMETER | | TEST CONDITIONS | MIN | TYP | MAX | UNIT |
|---------------------------------------|----------------------------------------------------------------------------------|-----------------------------------------------------------------------|------|-------|-------|--------|
| SENS _{MS_DR_XZ_A2} (1) | Sensitivity mismatch drift from 25°C value; X-Z axes; 300mT range | T _A = -40°C to 125°C | | ±1.1% | ±6.6% | |
| B _{off_A2} | Offset; 75mT, 150mT range | T _A = 25°C | | -50 | ±300 | μT |
| B _{off_A2} | Offset; 300mT range | T _A = 25°C | | -300 | ±900 | μT |
| B _{off_DR_A2} (1) | Offset drift from value at T _A = 25°C; X or Y axis; 75mT, 150mT range | T _A = 25°C to 125°C | | 1.0 | ±5.5 | μT/°C |
| B _{off_DR_A2} (1) | Offset drift from value at T _A = 25°C; Z axis; 75mT, 150mT range | T _A = 25°C to 125°C | | -1.5 | ±3.5 | μT/°C |
| B _{off_DR_A2} (1) | Offset drift from value at T _A = 25°C; X or Y axis; 75mT, 150mT range | T _A = 25°C to -40°C | -8.0 | -3.0 | 2.0 | μT/°C |
| B _{off_DR_A2} (1) | Offset drift from value at T _A = 25°C; Z axis; 75mT, 150mT range | T _A = 25°C to -40°C | | -0.4 | ±5.0 | μT/°C |
| B _{off_DR_A2} (1) | Offset drift from value at T _A = 25°C; 300mT range | T _A = -40°C to 125°C | | ±2.5 | ±12.0 | μT/°C |
| B _{off_DR_A2} | Offset Lifetime drift | | | ±50 | | μT |
| N _{RMS} (X, Y) | RMS (1 Sigma) magnetic noise (X or Y-axis) | x_RANGE ⁽²⁾ = 00b; CONV_AVG = 000b, T _A = 25°C | | 160 | 236 | μT |
| N _{RMS} (X, Y) | RMS (1 Sigma) magnetic noise (X or Y-axis) | x_RANGE ⁽²⁾ = 00b; CONV_AVG = 000b, T _A = 125°C | | 193 | 251 | μT |
| N _{RMS} (X, Y) | RMS (1 Sigma) magnetic noise (X or Y-axis) | x_RANGE ⁽²⁾ = 00b; CONV_AVG = 101b, T _A = 25°C | | 28 | 41 | μT |
| N _{RMS} (X, Y) | RMS (1 Sigma) magnetic noise (X or Y-axis) | x_RANGE ⁽²⁾ = 00b; CONV_AVG = 101b, T _A = 125°C | | 34 | 46 | μT |
| N _{RMS} (Z) | RMS (1 Sigma) magnetic noise (Z axis) | Z_RANGE = 00b; CONV_AVG = 000b, T _A = 25°C | | 72 | 85 | μT |
| N _{RMS} (Z) | RMS (1 Sigma) magnetic noise (Z axis) | Z_RANGE = 00b; CONV_AVG = 000b, T _A = 125°C | | 84 | 98 | μT |
| N _{RMS} (Z) | RMS (1 Sigma) magnetic noise (Z axis) | Z_RANGE = 00b; CONV_AVG = 101b, T _A = 25°C | | 13 | 16 | μT |
| N _{RMS} (Z) | RMS (1 Sigma) magnetic noise (Z axis) | Z_RANGE = 00b; CONV_AVG = 101b, T _A = -40°C to 125°C | | 15 | 18 | μT |
| A _{ERR_Y_Z_00_101_A2} (3) | Y-Z Angle error in full 360 degree rotation, 25°C | x_RANGE ⁽²⁾ = 00b, CONV_AVG = 101b | | ±0.5 | | Degree |
| A _{ERR_X_Z_00_101_A2} (3) | X-Z Angle error in full 360 degree rotation, 25°C | x_RANGE ⁽²⁾ = 00b, CONV_AVG = 101b | | ±0.5 | | Degree |
| A _{ERR_X_Y_00_101_A2} (3) | X-Y Angle error in full 360 degree rotation, 25°C | x_RANGE ⁽²⁾ = 00b, CONV_AVG = 101b | | ±0.40 | | Degree |

over operating free-air temperature range (unless otherwise noted)

| PARAMETER | | TEST CONDITIONS | MIN | TYP | MAX | UNIT |
|---------------------------------|-----------------------------------------------|------------------|-----|------|-----|------|
| TEMPERATURE COMPENSATION | | | | | | |
| TC | Temperature compensation (no compensation) | MAG_TEMPSCO =00b | | 0 | | %/°C |
| TC | Temperature compensation (for NdBFe magnet) | MAG_TEMPSCO =01b | | 0.12 | | %/°C |
| TC | Temperature compensation (for SmCo magnet) | MAG_TEMPSCO =10b | | 0.03 | | %/°C |
| TC | Temperature compensation (for Ceramic magnet) | MAG_TEMPSCO =11b | | 0.2 | | %/°C |

- Drift at any temperature can be calculated from drift values at 125°C or -40°C. For example, drift at 85°C = $((85 - 25) / (125 - 25)) \times$ (drift at 125°C); similarly, drift at -20°C = $((25 - (-20)) / (25 - (-40))) \times$ (drift at -40°C).
- x_RANGE denotes the X_RANGE, Y_RANGE, or Z_RANGE register bits
- Angle measurement is performed in static condition. The input sinusoidal magnetic fields have peak magnitudes equal to 80% of the magnetic full range. Offset and gain corrections have been performed at 25°C.

6.7 Power up Timing

over operating free-air temperature range (unless otherwise noted)

| PARAMETER | | TEST CONDITIONS | MIN | TYP | MAX | UNIT |
|-------------------------------|--------------------------------------------------------------------------------------|-----------------|-----|-----|-----|------|
| V_{CC} = 5.5V | | | | | | |
| t _{start_power_up} | Time to start up after V _{VCC} supply voltage crossing V _{VCC_MIN} | | | 246 | 350 | μs |
| t _{start_sleep} | Time to activate from sleep mode | | | 40 | 50 | μs |
| t _{go_sleep} | Time to go into sleep mode after CS goes high | | | 50 | | μs |
| t _{start_deep_sleep} | Time to start up from deep sleep mode | | | 246 | 350 | μs |
| t _{start_deep_sleep} | Time to go into deep sleep mode after CS goes high | | | 75 | | μs |
| t _{stand_by} | Time to go to Stand-by mode from Configuration mode | | | 90 | | μs |
| t _{spi_sleep} | Setup time between CS going low and SCK start during sleep mode | | | 8 | 10 | μs |
| V_{CC} = 2.3V | | | | | | |
| t _{start_power_up} | Time to start up after V _{CC} supply voltage crossing V _{CC_MIN} | | | 260 | 500 | μs |
| t _{start_sleep} | Time to activate from sleep mode | | | 40 | 50 | μs |
| t _{go_sleep} | Time to go into sleep mode after CS goes high | | | 60 | | μs |
| t _{start_deep_sleep} | Time to start up from deep sleep mode | | | 260 | 500 | μs |
| t _{start_deep_sleep} | Time to go into deep sleep mode after CS goes high | | | 75 | | μs |
| t _{stand_by} | Time to go to Stand-by mode from Configuration mode | | | 90 | | μs |
| t _{spi_sleep} | Delay time between CS going low and SCK start during sleep mode | | | 8 | 10 | μs |

6.8 SPI Interface Timing

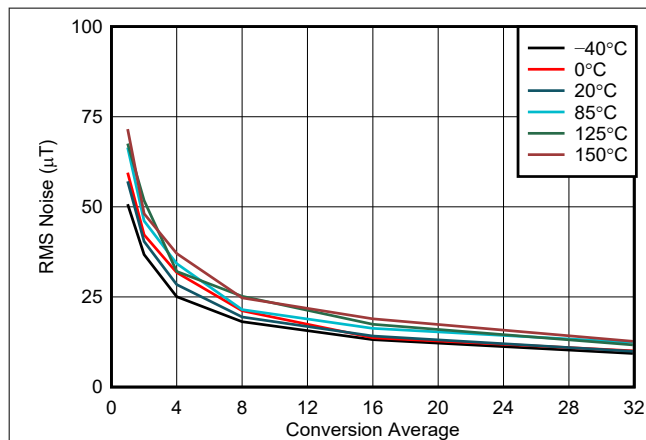
over operating free-air temperature range (unless otherwise noted)

| PARAMETER | | TEST CONDITIONS | MIN | TYP | MAX | UNIT |
|----------------------|-----------------------------------------------------------------------------|-----------------|-----|-----|-----|------|
| SPI Interface | | | | | | |
| f _{SPI} | SPI clock (SCK) frequency | LOAD = 25 pF | | | 10 | MHz |
| t _{whigh} | High time: SCK logic high time duration | | 45 | | | ns |
| t _{wlow} | Low time: SCK logic low time duration | | 45 | | | ns |
| t _{su_cs} | CS setup time: Time delay between falling edge of CS and rising edge of SCK | | 45 | | | ns |
| t _{h_cs} | Hold time: Time between the falling edge of SCK and rising edge of CS | | 45 | | | ns |

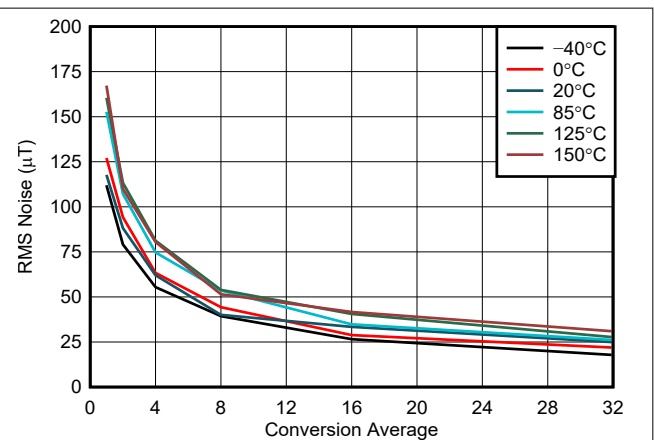
over operating free-air temperature range (unless otherwise noted)

| PARAMETER | | TEST CONDITIONS | MIN | TYP | MAX | UNIT |
|------------------|--------------------------------------------------------------------------------------------------------|-----------------|-----|-----|-----|---------|
| t_{pd_soen} | Delay time: Time delay from falling edge of \overline{CS} to data valid at SDO | | | | 45 | ns |
| t_{pd_sodis} | Delay time: Time delay from rising edge of \overline{CS} to SDO transition to tristate | | | | 55 | ns |
| t_{su_si} | SDI setup time: Setup time of SDI before the rising edge of SCK | | 25 | | | ns |
| t_{h_si} | Hold time: Time between the rising edge of SCK to SDI valid | | 25 | | | ns |
| t_{pd_so} | Propagation delay from falling edge of SCK to SDO | | | | 45 | ns |
| t_{w_cs} | SPI transfer inactive time (time between two transfers) during which \overline{CS} must remain high. | LOAD = 25 pF | 100 | | | ns |
| t_{spi_sleep} | Setup time between \overline{CS} going low and SCK start during sleep mode | | | 8 | 10 | μ s |

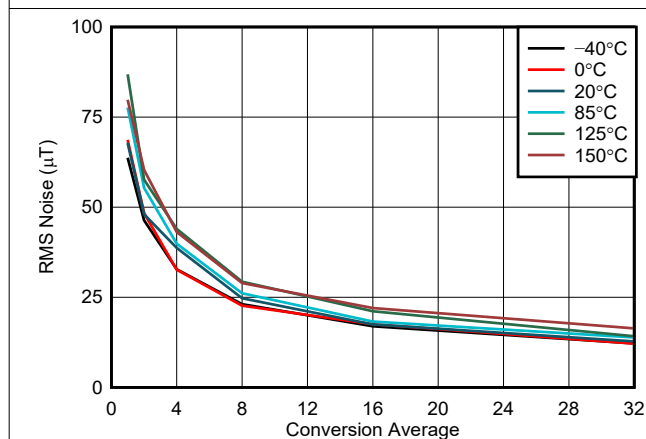
6.9 Typical Characteristics



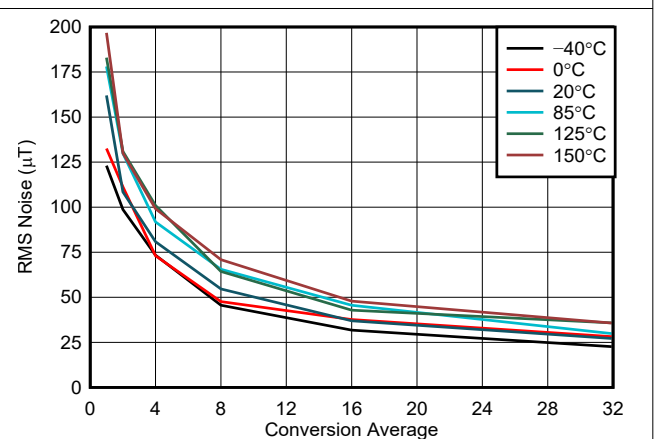
6-1. Z-Axis Noise vs. Conversion Average, 25-mT Range



6-2. X, Y-Axis Noise vs. Conversion Average, 25-mT Range

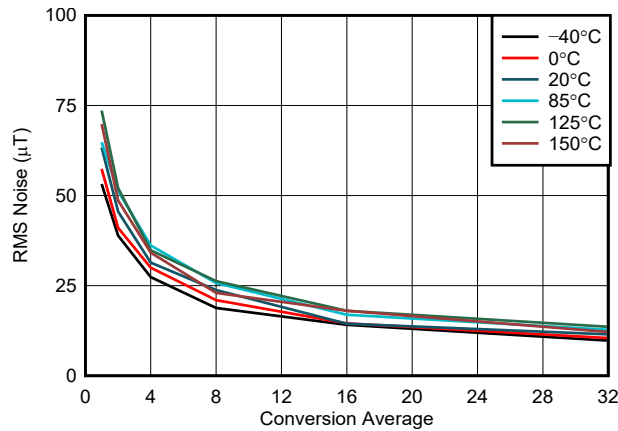


6-3. Z-Axis Noise vs. Conversion Average, 50-mT Range

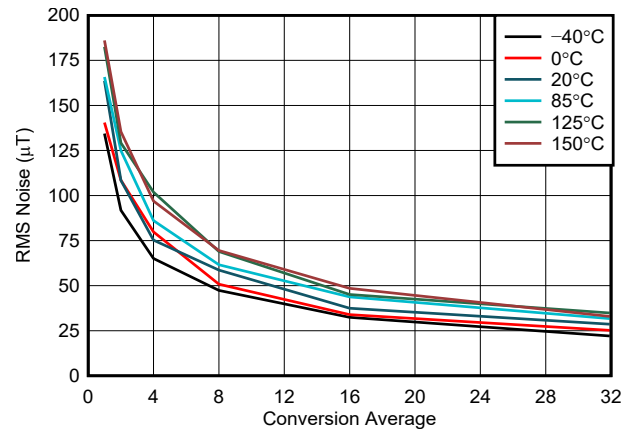


6-4. X, Y-Axis Noise vs. Conversion Average, 50-mT Range

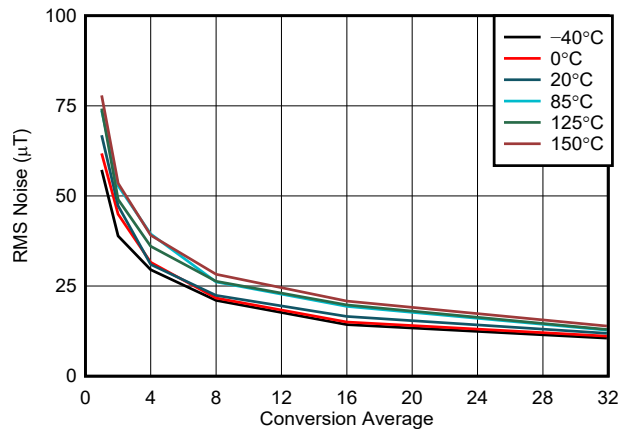
6.9 Typical Characteristics (continued)



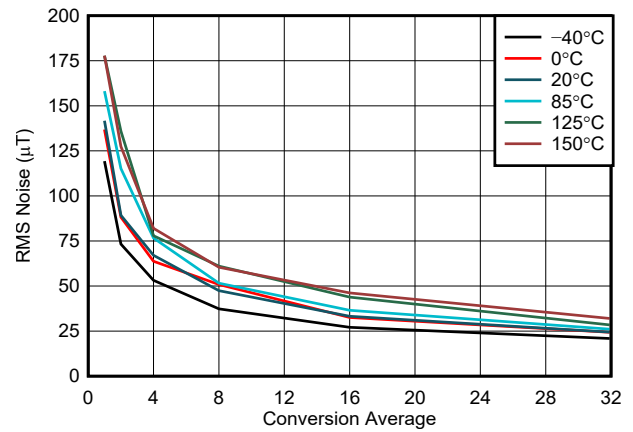
6-5. Z-Axis Input vs. Conversion Average, 75-mT Range



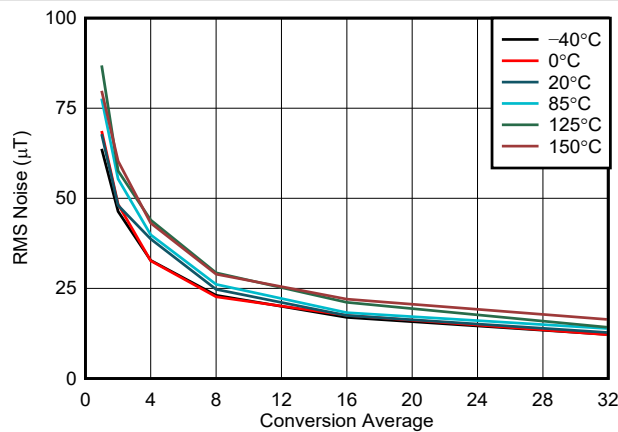
6-6. X, Y-Axis Noise vs. Conversion Average, 75-mT Range



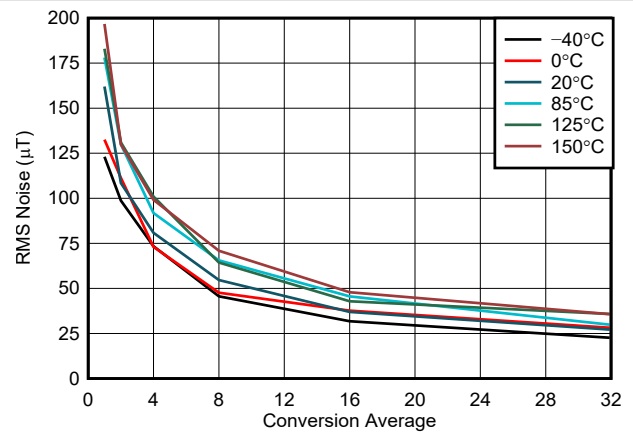
6-7. Z-Axis Noise vs. Conversion Average, 100-mT Range



6-8. X, Y-Axis Noise vs. Conversion Average, 100-mT Range

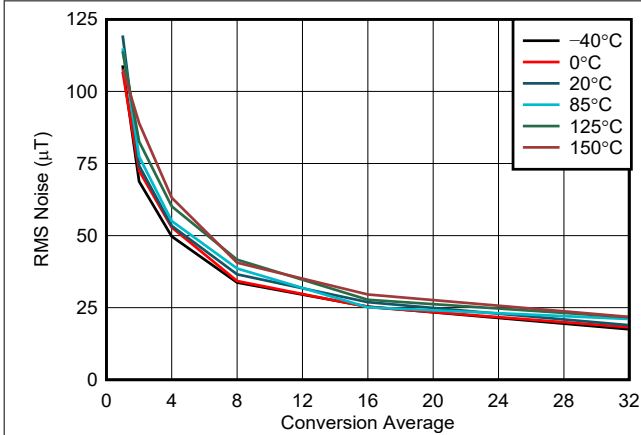


6-9. Z-Axis Noise vs. Conversion Average, 150-mT Range

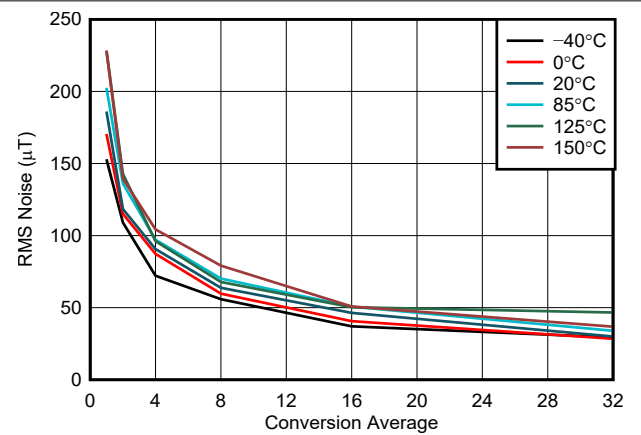


6-10. X, Y-Axis Noise vs. Conversion Average, 150-mT Range

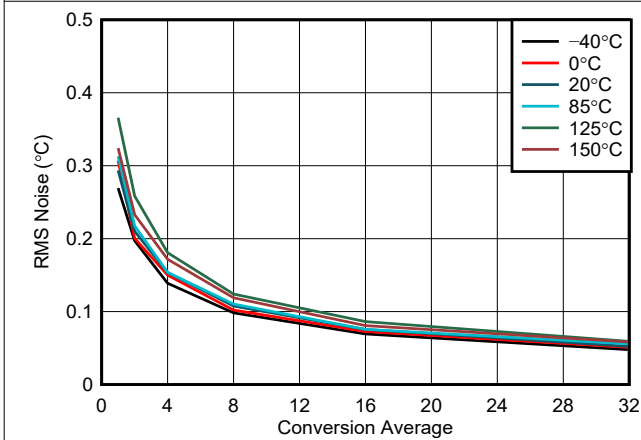
6.9 Typical Characteristics (continued)



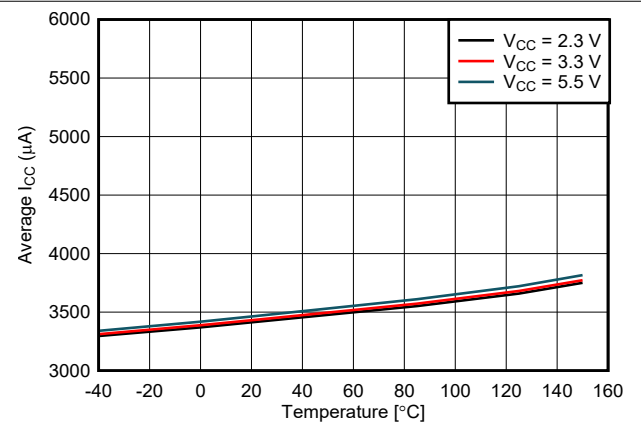
6-11. Z-Axis Noise vs. Conversion Average, 300-mT Range



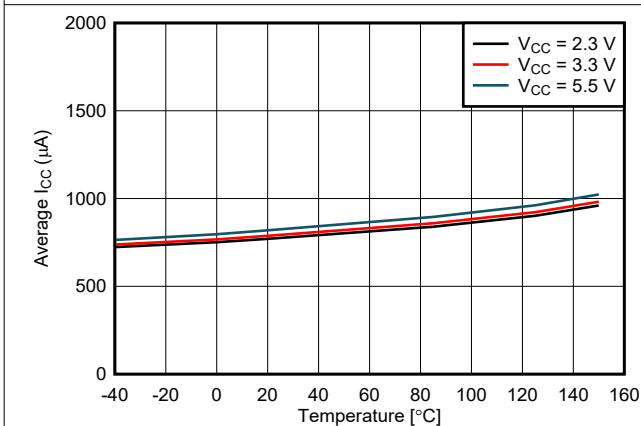
6-12. X, Y-Axis Noise vs. Conversion Average, 300-mT Range



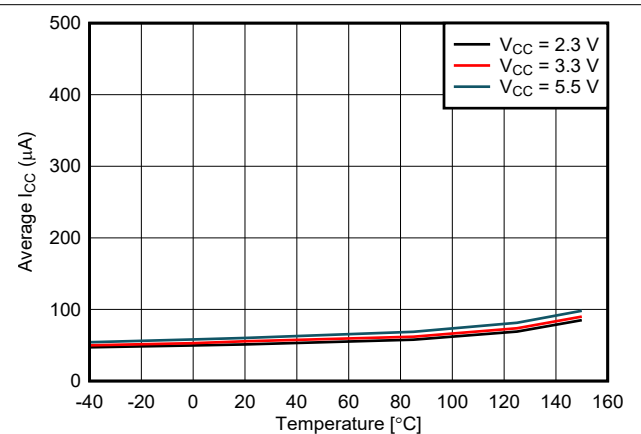
6-13. Temperature Sensor Noise vs. Conversion Average



6-14. Active Mode Supply Current vs. Temperature



6-15. Standby Mode Supply Current vs. Temperature



6-16. Configuration Mode Supply Current vs. Temperature

6.9 Typical Characteristics (continued)

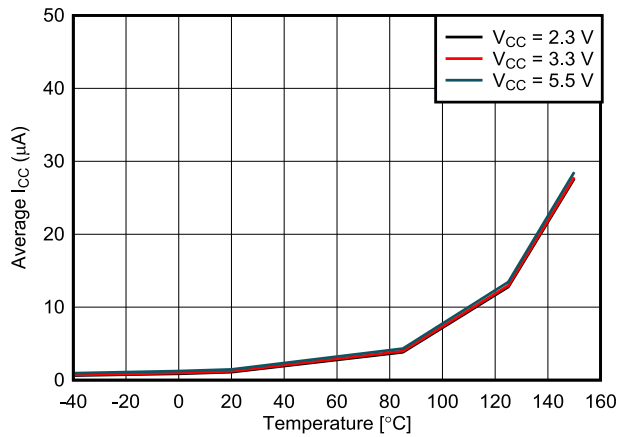


Fig 6-17. Sleep Mode Supply Current vs. Temperature

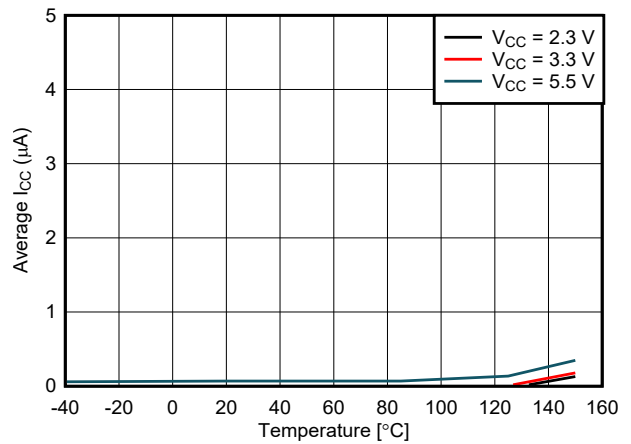


Fig 6-18. Deep Sleep Mode Supply Current vs. Temperature

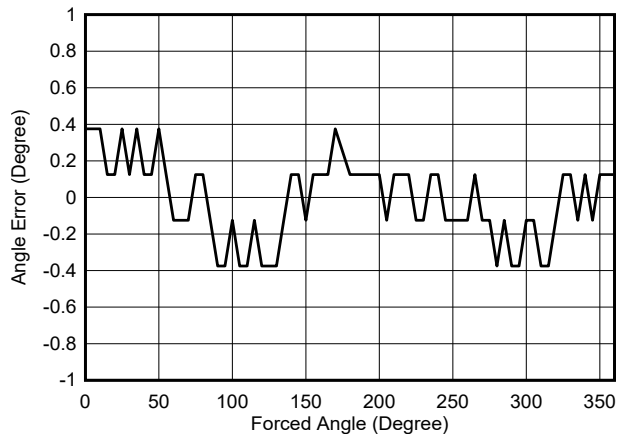


Fig 6-19. Angle Error at 25°C, X-Y Configuration, 50-mT Range

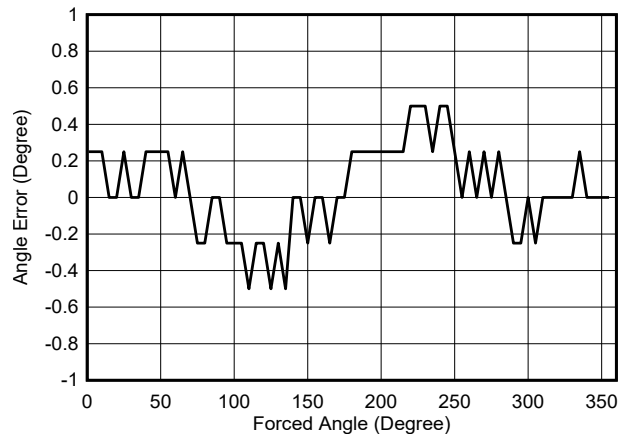


Fig 6-20. Angle Error at 25°C, X-Z Configuration, 50-mT Range

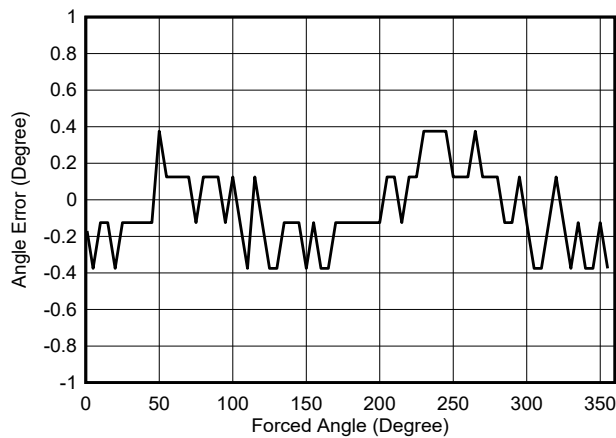


Fig 6-21. Angle Error at 25°C, Y-Z Configuration, 50-mT Range

7 Detailed Description

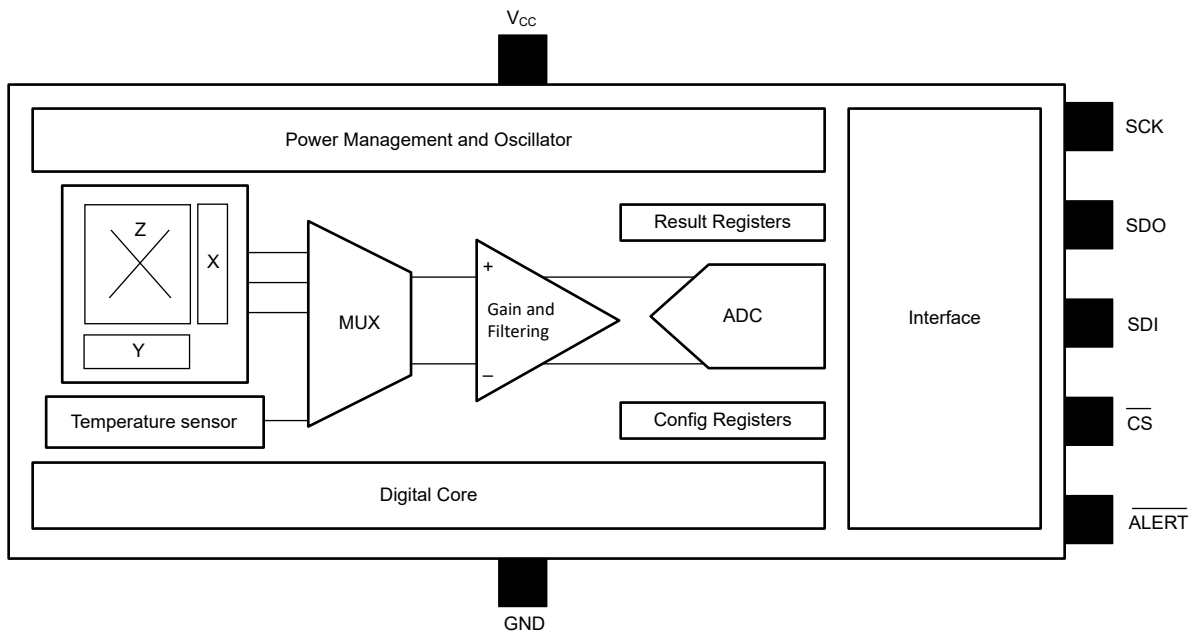
7.1 Overview

The TMAG5170 IC is based on the Hall-effect technology and precision mixed signal circuitry from Texas Instruments. The output signals (raw X, Y, Z Magnetic data and Die temperature data) is provided through the SPI. The device can be configured in multiple settings through user access registers through the SPI.

The IC consists of the following functional and building blocks:

- The Power Management & Oscillator block contains a low-power oscillator, biasing circuitry, undervoltage and overvoltage detection circuitry, and a fast oscillator.
- The sensing and temperature measurement block contains the Hall biasing, Hall sensors with multiplexers, noise filters, integrator circuit, temperature sensor, and the ADC. The Hall sensor data and temperature data are multiplexed through the same ADC.
- The Interface block contains the SPI control circuitry, ESD protection circuits, and all the I/O circuits. The TMAG5170 supports SPI along with integrated cyclic redundancy check (CRC).
- The diagnostic blocks are embedded in the circuitry to enable mandatory and user-enabled diagnostic checks.

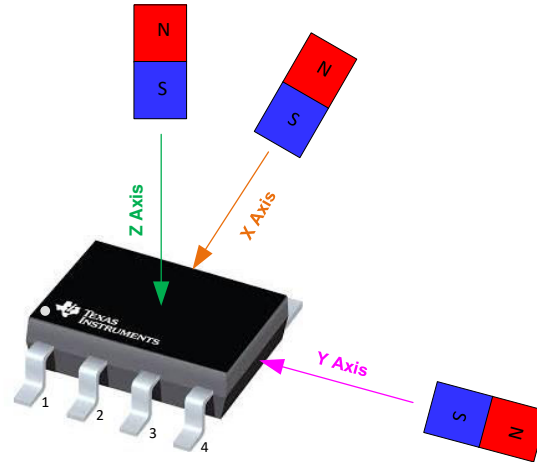
7.2 Functional Block Diagram



7.3 Feature Description

7.3.1 Magnetic Flux Direction

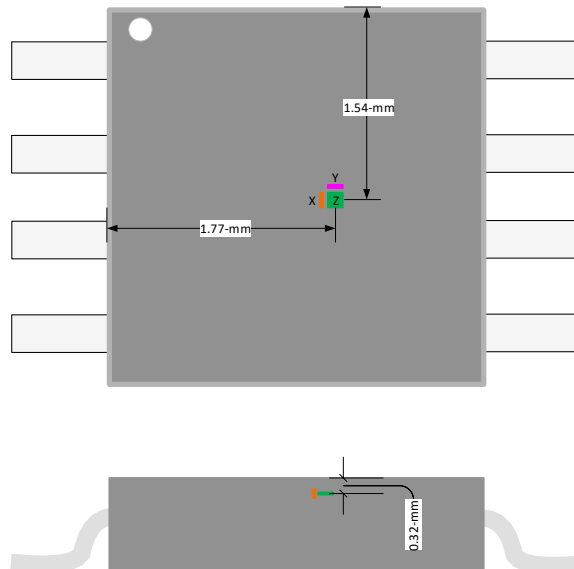
The TMAG5170 is sensitive to the magnetic field component in X, Y, and Z directions. The X and Y fields are in plane with the package. The Z field is perpendicular to the top of the package. The device is sensitive to both magnetic north and south poles in each axis. As shown in [Figure 7-1](#), the device will generate positive ADC codes in response to a magnetic south pole in the proximity. Similarly, the device will generate negative ADC codes if magnetic north poles approach from the same directions.



☒ 7-1. Direction of Applied Magnetic South Pole to Generate Positive ADC Codes

7.3.2 Sensor Location

☒ 7-2 shows the location of X, Y, Z Hall elements inside the TMAG5170.



☒ 7-2. Location of X, Y, Z Hall Elements

7.3.3 Magnetic Range Selection

表 7-1 shows the magnetic range selection for the TMAG5170 device. Each axis range can be independently selected irrespective of the others.

表 7-1. Magnetic Range Selection

| | RANGE REGISTER SETTING | TMAG5170A1 | TMAG5170A2 | COMMENT |
|--------------|------------------------|------------|------------|------------------------------|
| X Axis Field | X_RANGE = 00b | ±50 mT | ±150 mT | |
| | X_RANGE = 01b | ±25 mT | ±75 mT | Best resolution case |
| | X_RANGE = 10b | ±100 mT | ±300 mT | Highest range, best SNR case |
| Y Axis Field | Y_RANGE = 00b | ±50 mT | ±150 mT | |
| | Y_RANGE = 01b | ±25 mT | ±75 mT | Best resolution case |
| | Y_RANGE = 10b | ±100 mT | ±300 mT | Highest range, best SNR case |
| Z Axis Field | Z_RANGE = 00b | ±50 mT | ±150 mT | |
| | Z_RANGE = 01b | ±25 mT | ±75 mT | Best resolution case |
| | Z_RANGE = 10b | ±100 mT | ±300 mT | Highest range, best SNR case |

7.3.4 Update Rate Settings

The TMAG5170 offers multiple update rates for system design flexibility. 图 7-4 shows the different update rates for the TMAG5170 during continuous conversion.

表 7-2. Update Rate Settings

| OPERATING MODE | REGISTER SETTING | UPDATE RATE | | | COMMENT |
|----------------|------------------|-------------|-----------|------------|---------------------|
| | | SINGLE AXIS | TWO AXIS | THREE AXIS | |
| X, Y, Z Axis | CONV_AVG = 000b | 20 ksps | 13.3 ksps | 10 ksps | Fastest update rate |
| X, Y, Z Axis | CONV_AVG = 001b | 13.3 ksps | 8.0 ksps | 5.7 ksps | |
| X, Y, Z Axis | CONV_AVG = 010b | 8.0 ksps | 4.4 ksps | 3.1 ksps | |
| X, Y, Z Axis | CONV_AVG = 011b | 4.4 ksps | 2.4 ksps | 1.6 ksps | |
| X, Y, Z Axis | CONV_AVG = 100b | 2.4 ksps | 1.2 ksps | 0.8 ksps | |
| X, Y, Z Axis | CONV_AVG = 101b | 1.2 ksps | 0.6 ksps | 0.4 ksps | Best SNR case |

7.3.5 ALERT Function

The $\overline{\text{ALERT}}$ pin of the TMAG5170 supports multiple operating modes targeting different applications.

7.3.5.1 Interrupt and Trigger Mode

With ALERT_MODE at default value of 0b, the $\overline{\text{ALERT}}$ output can be configured to generate an interrupt signal for microcontroller when a user-defined event occurs. A user-defined event can be a conversion completion or an error from diagnostic tests. The $\overline{\text{ALERT}}$ pin can also be used in this mode to trigger a conversion start using the TRIGGER_MODE register bit.

7.3.5.2 Magnetic Switch Mode

With ALERT_MODE set at 1b, the $\overline{\text{ALERT}}$ output is configured as a magnetic switch. One or multiple magnetic channels can be selected in the ALERT_CONFIG register. The magnetic switch thresholds are determined by the *_THR_X_CONFIG register bits setting. If the measured magnetic field is greater than *_HI_THRESHOLD, or smaller than *_LO_THRESHOLD, the $\overline{\text{ALERT}}$ output will assert low. 图 7-3 shows the magnetic switch function using the X-axis magnetic field as an example.

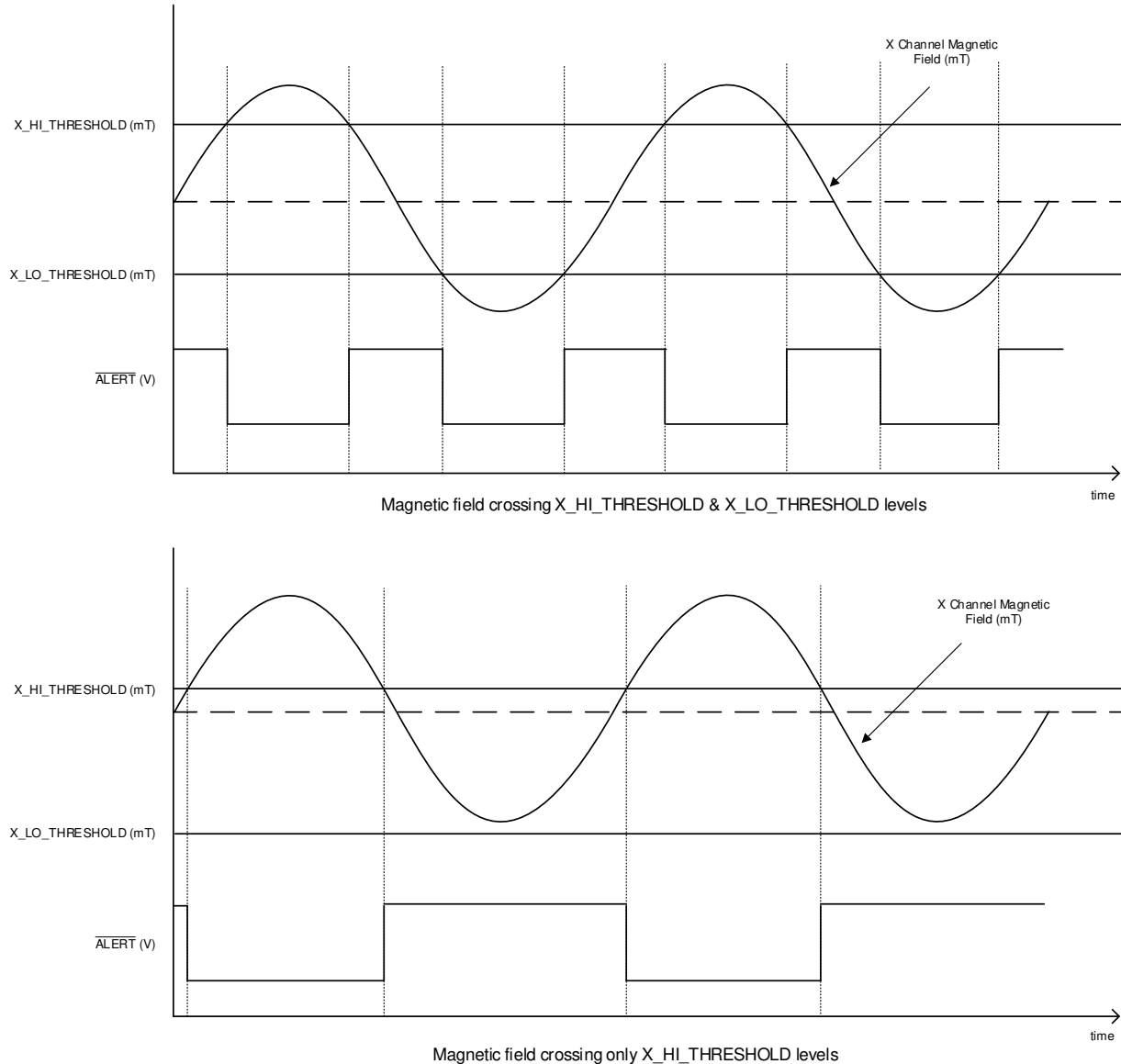


图 7-3. ALERT Pin Working as Magnetic Switch

7.3.6 Threshold Count

The THR_COUNT bits in the $ALERT_CONFIG$ register offer robust noise filtering and immunity against false tripping while the TMAG5170 implements the \overline{ALERT} function for a specific magnetic or temperature threshold crossing. With THR_COUNT at default 00b, only one measured value must cross the threshold to be considered a valid threshold crossing event. With THR_COUNT at 11b, four successive measured values must cross the threshold to be considered a valid threshold crossing. An internal counter tracks and records the number of threshold crossing for a given sensor.

The counter resets if any of the below events occur:

- The device meets the threshold cross count for the specified number per the THR_COUNT bits, the corresponding $*CH_THX$ bit(s) are set, and the SPI read of the SYS_STATUS register has occurred
- If a measured result does not cross the threshold

When the \overline{ALERT} pin is configured to work as a magnetic switch, the threshold count is active for both low-to-high and high-to-low transitions, offering noise immunity in both directions of the threshold cross.

7.3.7 Diagnostics

The TMAG5170 supports several device and system level diagnostics features to detect, monitor, and report failures during the device operation.

In the event of a failure, the TMAG5170 reports back to the controller through the following mechanisms:

- ERROR_STAT bit during the SDO read frame
- Direct read of the status registers through the SPI
- $\overline{\text{ALERT}}$ pin response to indicate a failure, if enabled
- No response through SDO line, or CRC error during SPI communication

The TMAG5170 performs the following device and system level checks:

7.3.7.1 Memory CRC Check

This diagnostic mechanism checks the content of the internal memory by comparing a calculated CRC of the read content against a factory-programmed expected CRC value. During runtime, when the internal memory is read again for configuration for different channels, the CRC is checked again, providing detection of memory errors even during runtime.

| | |
|---------------------------|-------------------------|
| Run Mode | Continuous |
| Configuration Register(s) | N/A |
| Fault Register Bit | TRIM_STAT |
| Impact if disabled | N/A. Cannot be disabled |

7.3.7.2 $\overline{\text{ALERT}}$ Integrity Check

This diagnostic mechanism checks and compares the read back value of the $\overline{\text{ALERT}}$ pin to the value that is driven by the device. This will check the presence of an external short on $\overline{\text{ALERT}}$ pin to a higher voltage such as VCC which will prevent device to indicate a fault. When the controller is driving the $\overline{\text{ALERT}}$ pin to trigger a measurement, it can read the ALRT_LVL bit to check if the correct polarity of the $\overline{\text{ALERT}}$ was detected by the device, thus checking any failures on the pin.

| | |
|---------------------------|------------------------------------------------------------------------------------------------------------------------------------------------------------------|
| Run Mode | Continuous |
| Configuration Register(s) | N/A |
| Fault Register Bit | ALRT_DRV and ALRT_LVL |
| Impact if disabled | When driven by device N/A. Cannot be disabled. When driven by controller, device may not detect a new measurement command and still report old measurement data. |

7.3.7.3 VCC Check

This diagnostic mechanism continuously checks the external voltage supply on VCC pin and flags a fault if the supply is out of range.

| | |
|-----------------------|---------------------------------------------|
| Run Mode | Continuous |
| Data Sheet Parameters | $V_{\text{VCC_UV}}$, $V_{\text{VCC_OV}}$ |
| Fault Register Bit | VCC_UV and VCC_OV |
| Impact if disabled | N/A. Cannot be disabled. |

7.3.7.4 Internal LDO Under Voltage Check

This diagnostic mechanism continuously monitors the internal regulator that supplies the critical analog blocks and Hall sensor biasing, and flags a fault if the internal regulator falls below a threshold after which the accuracy of the magnetic field measurement cannot be guaranteed.

| | |
|-----------------------|------------|
| Run Mode | Continuous |
| Data Sheet Parameters | N/A |
| Fault Register Bit | LDO_STAT |

Impact if disabled N/A. Cannot be disabled.

7.3.7.5 Digital Core Power-on Reset Check

This diagnostic mechanism continuously monitors the internal regulator that supplies the internal digital core, and puts the device in reset if the digital core cannot function reliably. The occurrence of the fault is detected by reading the CFG_RESET bit which can only be set at power up or if the digital core was reset.

| | |
|-----------------------|--------------------------|
| Run Mode | Continuous |
| Data Sheet Parameters | N/A |
| Fault Register Bit | CFG_RESET |
| Impact if disabled | N/A. Cannot be disabled. |

7.3.7.6 SDO Output Check

This diagnostic mechanism continuously compares the internally driven value by device on the SDO pin to the read-back value on SDO pin to detect any shorts to ground or power supply.

| | |
|-----------------------|-------------------------------------------------------|
| Run Mode | Continuous, every time a SPI transaction is initiated |
| Data Sheet Parameters | N/A |
| Fault Register Bit | SDO_DRV |
| Impact if disabled | N/A. Cannot be disabled. |

7.3.7.7 Communication CRC Check

This diagnostic mechanism for every SPI transaction will compute the CRC of the received SPI frame from the controller and check the CRC against the CRC value transmitted by the controller, and flag a fault if the values do not match. The device also embeds a CRC value as part of the SPI frame in the response for the controller to check the integrity of the received data. This check detects faults with SPI communication block in digital core and the SPI I/O buffers and also controller to check for any faults on the SPI external to the device.

Another check is also run in the background that counts the number of SPI clocks in a SPI frame and flags a fault if the number of clocks sent by the controller is not same as the expected value. This can help controller detect any issues with the SPI.

| | |
|---------------------------|---------------------------------------------------------------------------------------------------------------------------------------|
| Run Mode | Continuous, every time a SPI transaction is initiated |
| Configuration Register(s) | CRC_DIS to disable CRC in the SPI protocol |
| Fault Register Bit | CRC_STAT, FRAME_STAT |
| Impact if disabled | If CRC is disabled, then any fault with SPI communication will not be detected and incorrect value of measured field can be reported. |

7.3.7.8 Oscillator Integrity Check

This diagnostic mechanism allows the controller to check any hardware fault with the internal oscillator. With this check, any drift of internal oscillators can be checked. The high-frequency oscillator is critical for precision measurement of the magnetic field and low-power oscillator is critical to control wake-up and sleep mode and other state machine control.

To run this check, external software code on the controller is required. The controller has to instate the check by setting the OSC_CNT_CTL bits to select a particular oscillator and start the internal count on the device. At the same time, the controller should also start a counter using its own timebase. After a pre-determined time, the controller should issue a stop to the oscillator count by setting OSC_CNT_CTL=0x3 and read the OSC_COUNT. The read value of the OSC_COUNT should not exceed the value based off maximum f_{HFOSC} , f_{LFOSC} in the specification section. Variation of controller clock speed and SPI communication timing need to be considered while calculating the error margin for the OSC_COUNT.

| | |
|-------------------------|---------------------------------------------|
| Run Mode | On-demand as run by the external controller |
| Data Sheet Parameter(s) | f_{HFOSC} , f_{LFOSC} |

| | |
|---------------------------|-------------------------------------------------------------------------------------------------------------------------------------|
| Configuration Register(s) | OSC_CNT_CTL |
| Fault Register Bit | OSC_COUNT |
| Impact if disabled | If the controller decides not to run this test, then any drift of HF oscillator can impact the accuracy of the reported sensor data |

7.3.7.9 Magnetic Field Threshold Check

This diagnostic mechanism allows the controller to monitor the external applied field. The controller can use this check to determine if a magnetic field is present within specified thresholds. This check, though used as check at system level, can also indicate any gross problems with the signal path if a field much outside the expected range is detected and reported.

To run this check, the controller must enable the check separately for each axis and also set the thresholds for each axis independently. The user can configure the $\overline{\text{ALERT}}$ pin to toggle if the threshold crossed, which is also reported in the user register.

| | |
|---------------------------|---------------------------------------------------------------------------------------------------------------------------------------------------------------------------------------------|
| Run Mode | Every time a magnetic measurement is initiated and completed |
| Configuration Register(s) | X_HLT_EN, Y_HLT_EN, Z_HLT_EN to enable test. X_THRX_CONFIG, Y_THRX_CONFIG, Z_THRX_CONFIG to set threshold |
| Fault Register Bit | XCH_THX, YCH_THX, ZCH_THX |
| Impact if disabled | If disabled, it does not have impact on device-level failure detection but at system level. Examples of system failure would be loss of magnet, magnet too far, or too close to the sensor. |

7.3.7.10 Temperature Alert Check

This diagnostic mechanism allows the controller to monitor the junction temperature of the die, which is also an indication of the ambient temperature as the device does not generate significant self-heating. This is useful to monitor the temperature at the system level accurately and alert the controller if the temperature is exceeded. It can also be used to warn the controller if the die temperature due to some internal failure has increased beyond the expected range.

To run this check, the controller must enable the temperature check and set the threshold. The user can configure the $\overline{\text{ALERT}}$ pin to toggle if the threshold crossed, which is also reported in the user register.

| | |
|---------------------------|---------------------------------------------------------------------------------------------------------------------------------|
| Run Mode | Every time a magnetic measurement is initiated and completed |
| Configuration Register(s) | T_HLT_EN to enable test. T_THRX_CONFIG to set threshold |
| Fault Register Bit | TEMP_THX |
| Impact if disabled | If disabled, it does not have impact on device-level failure detection but at system level increase or decrease of temperature. |

7.3.7.11 Analog Front-End (AFE) Check

This diagnostic mechanism allows the controller to check the performance of the analog signal path. In this check, the device disconnects the Hall sensor from the signal path and uses an alternate resistance bridge to create a known, predetermined signal as an input to the signal path. This mechanism then checks if the measured digital value compared to a fixed value from the factory is within a pre-programmed, factory-determined value. This mechanism can detect issues with multiplexers, offset cancellation mechanism, the gain stages, the low-pass filter, and the ADC, as well.

To run this check, the controller must enable the check and set the scheduling for the run. During this check, the AFE is not available for magnetic field conversion. The user can configure the $\overline{\text{ALERT}}$ pin to toggle if an error is detected. This error is also reported in the user register.

| | |
|---------------------------|-----------------------------------------------------------------------------------------------|
| Run Mode | Every time a magnetic measurement is initiated and completed |
| Configuration Register(s) | DIAG_EN to enable test. DIAG_SEL to schedule when the test is run |
| Fault Register Bit | SENS_STAT |
| Impact if disabled | If disabled, any failures or drift with the analog front-end signal path may not be detected. |

7.3.7.12 Hall Resistance and Switch Matrix Check

This diagnostic mechanism allows the controller to check if the sensitivity of the Hall sensor is within the factory-determined limits by checking the resistance of the Hall-effect sensor. In this check, the biasing and multiplexing control of all directions of the Hall sensor (X, Y and Z) are also checked.

To run this check, the controller must enable the check and set the scheduling for the run. During this check, the Hall sensor is not available for magnetic field conversion. The user can configure the $\overline{\text{ALERT}}$ pin to toggle if an error is detected. This error is also reported in the user register.

| | |
|---------------------------|----------------------------------------------------------------------------------------------------------------------------------------------------------------------|
| Run Mode | Every time a magnetic measurement is initiated and completed |
| Configuration Register(s) | DIAG_EN to enable test. DIAG_SEL to schedule when the test is run |
| Fault Register Bit | ZHS_STAT, YHS_STAT and XHS_STAT |
| Impact if disabled | If disabled, any failures or drift in the Hall-effect sensor properties and biasing will not be detected, leading to potentially incorrect magnetic field conversion |

7.3.7.13 Hall Offset Check

This diagnostic mechanism allows the controller to check if the offset of the Hall sensor is within the factory-determined limits and the offset cancellation circuitry is working properly.

To run this check, the controller must enable the check and set the scheduling for the run. During this check, the AFE is not available for magnetic field conversion. The user can configure the $\overline{\text{ALERT}}$ pin to toggle if an error is detected. This error is also reported in the user register.

| | |
|---------------------------|------------------------------------------------------------------------------------------------------------------------------------------------------------------------------------|
| Run Mode | Every time a magnetic measurement is initiated and completed |
| Configuration Register(s) | DIAG_EN to enable test. DIAG_SEL to schedule when the test is run |
| Fault Register Bit | SENS_STAT |
| Impact if disabled | If disabled, any failures with offset cancellation mechanism or large drift of Hall-effect sensor may not be detected, leading to potentially incorrect magnetic field conversion. |

7.3.7.14 ADC Check

This diagnostic mechanism checks ADC functionality and conversion. This check is done by converting a known bandgap voltage, which is completely independent of the ADC reference, and comparing the voltage against the factory-determined tolerance limits.

To run this check, the controller must enable the check and set the scheduling for the run. During this check the AFE is not available for magnetic field conversion. The user can configure the $\overline{\text{ALERT}}$ pin to toggle if an error is detected. This error is also reported in the user register.

| | |
|---------------------------|-----------------------------------------------------------------------------------------------------------------------------------------------------|
| Run Mode | Every time a magnetic measurement is initiated and completed |
| Configuration Register(s) | DIAG_EN to enable test. DIAG_SEL to schedule when the test is run |
| Fault Register Bit | TEMP_STAT |
| Impact if disabled | If disabled, any failures with ADC conversion will not be detected, leading to potentially incorrect errors in the converted magnetic field values. |

7.4 Device Functional Modes

7.4.1 Operating Modes

The TMAG5170 supports multiple operating modes for wide array of applications as explained in [Figure 7-4](#). The device starts powering up after the VCC supply crosses the minimum threshold as specified in the [Recommended Operating Conditions](#) table. Any particular operating mode can be selected by setting the corresponding OPERATING_MODE register bits.

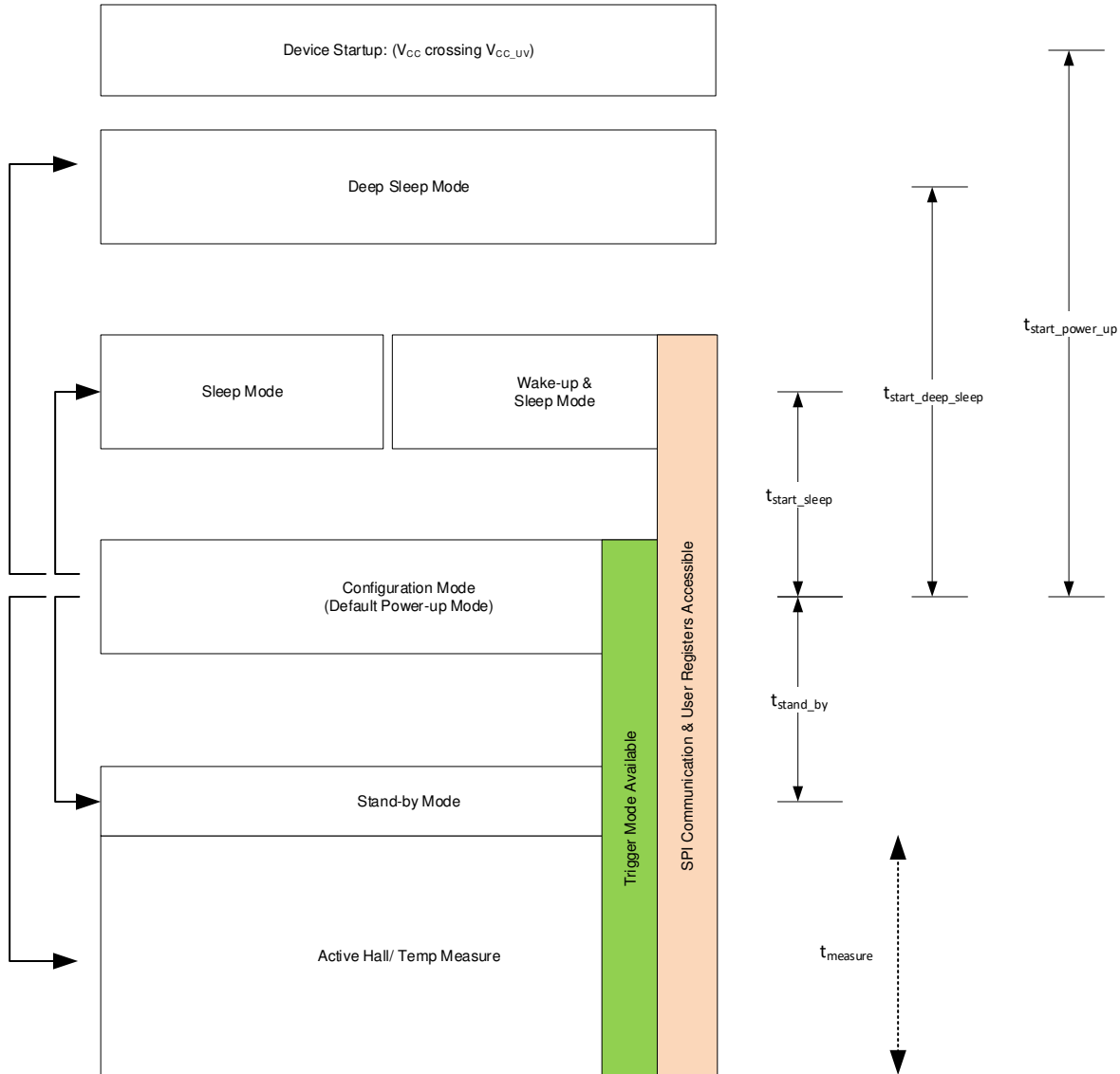


图 7-4. TMAG5170 Power-Up Sequence

表 7-3 shows different power saving modes of the TMAG5170.

表 7-3. Comparing Operating Modes

| OPERATING MODE | DEVICE FUNCTION | INITIALIZATION TIME TO START CONVERSION ⁽¹⁾ | DATA CONVERSION |
|----------------------|---------------------------------------------------------------------------------|--------------------------------------------------------|---------------------------------------------------------------------------------------------------------------------------|
| Active Conversion | Continuously measuring X, Y, Z axis, or temperature data | 10 μ s | Supports continuous and trigger mode conversion |
| Standby Mode | Device is ready to accept SPI commands and start active conversion | 35 μ s | Supports trigger mode conversion |
| Configuration Mode | SPI and user configuration registers active | $t_{stand_by} + 35 \mu$ s | Supports trigger mode conversion |
| Wake-up & Sleep Mode | Wakes up at a certain interval to measure the X, Y, Z axis, or temperature data | $t_{start_sleep} + t_{stand_by} + 35 \mu$ s | 1, 5, 10, 15, 20, 30, 100, 500, and 1000-ms intervals supported ⁽¹⁾ . |
| Sleep Mode | Device retains key configuration settings, and last measurement data | $t_{start_sleep} + t_{stand_by} + 35 \mu$ s | The microcontroller can use sleep mode to implement other power saving intervals not supported by wake-up and sleep mode. |

表 7-3. Comparing Operating Modes (continued)

| OPERATING MODE | DEVICE FUNCTION | INITIALIZATION TIME TO START CONVERSION ⁽¹⁾ | DATA CONVERSION |
|-----------------|------------------------------------------------------------------------------|-------------------------------------------------------------------------|---------------------------------------------------------|
| Deep-sleep Mode | Device does not retain key configuration settings, and last measurement data | $t_{\text{start_deep_sleep}} + t_{\text{stand_by}} + 35 \mu\text{s}$ | No conversion start is supported during deep-sleep mode |

(1) The timing numbers are typical parameters. Their value may vary depending on the internal oscillator frequency.

7.4.1.1 Active Mode

The TMAG5170 converts the magnetic sensor or temperature data during active mode. Active mode supports both continuous conversion and trigger mode conversion based off the OPERATING_MODE setting. Continuous operation at this mode is useful for applications where the fastest data conversion is required, and power budget is not stringent. In the Active trigger mode, a controller can trigger a conversion through one of several trigger mechanisms as described in the TRIGGER_MODE register bits. When the conversion started, the time it takes to finish a conversion is denoted by t_{measure} . The conversion time can vary widely based off the MAG_CH_EN, CONV_AVG, DIAG_SEL, and DIAG_EN register bits setting. The average current consumption during the active conversion is I_{ACT} .

7.4.1.2 Standby Mode

In the standby mode, the TMAG5170 is ready to start sensor conversion with a trigger command from a controller. Several trigger methods are supported as defined in the TRIGGER_MODE register bits. During this operating mode the relevant analog and digital support circuitry remain active to enable a faster conversion start. The average current consumption during this mode is denoted by I_{STDBY} . The time it takes for the device to go to standby mode from configuration mode is denoted by $t_{\text{stand_by}}$.

7.4.1.3 Configuration Mode (DEFAULT)

At power up, the TMAG5170 goes into the default configuration mode. In this mode, the SPI communication and user register access are enabled. A controller may configure the device to select the desired operating mode, sensor data conversion, enable/ disable diagnostic features, and so forth. The average current consumption during this mode is denoted by I_{CFG} . Similar to the standby mode, the configuration mode also supports sensor conversion start with a trigger. However, the configuration mode takes longer time to start the sensor conversion, and consumes approximately ten times less current compared to standby mode.

7.4.1.4 Sleep Mode

The TMAG5170 supports the sleep mode where it retains the user configuration settings and previous conversion results. A controller can wake up the device from sleep mode through either the SPI communication or the $\overline{\text{ALERT}}$ signal. The average power consumption in this mode is denoted by I_{SLP} . The time it takes for the device to go to the configuration mode from the sleep mode is denoted by $t_{\text{start_sleep}}$.

7.4.1.5 Wake-Up and Sleep Mode

The TMAG5170 supports the wake-up and sleep mode where the device is configured to wake up at a certain time interval, and perform the sensor conversion as defined in the SENSOR_CONFIG register setting. When the sensor conversion is complete, an $\overline{\text{ALERT}}$ signal can be generated to notify the controller that the new conversion data is ready. It is possible to generate an $\overline{\text{ALERT}}$ signal only in the event a particular magnetic or temperature threshold is exceeded. Detail setting on $\overline{\text{ALERT}}$ signal is specified in the ALERT_CONFIG register. A controller can wake up the TMAG5170 and access the conversion data at any time. The average power consumption in the wake-up and sleep mode is denoted by $I_{\text{VCC_DCM}}$. The time it takes for the device to go to configuration mode from wake-up and sleep mode is denoted by $t_{\text{start_sleep}}$.

7.4.1.6 Deep-Sleep Mode

For ultra-low power system, the TMAG5170 supports a deep-sleep mode to conserve power. In this mode, the TMAG5170 does not retain the user configuration or previous result data. The device reverts back to factory setting in this mode. The average power consumption in this mode is $I_{\text{DEEP_SLP}}$. The time it takes for the device to go to the configuration mode from the deep-sleep mode is denoted by $t_{\text{start_sleep}}$.

7.5 Programming

7.5.1 Data Definition

7.5.1.1 Magnetic Sensor Data

The X, Y, and Z magnetic sensor data are stored in the X_CH_RESULT, Y_CH_RESULT, and Z_CH_RESULT registers, respectively. The 12-bit ADC output is stored in 16-bit result registers in 2's complement format as shown in [Figure 7-5](#). With fastest conversion (CONV_AVG = 000b), the ADC output loads the 12 MSB bits of the 16-bit result register along with 4 LSB bits as zeros. With CONV_AVG ≠ 000b, all the 16 bits are used to store the results. With DATA_TYPE = 00b, the 16-bit magnetic sensor data can be accessed through regular 32-bit SPI read. Use [Equation 1](#) to calculate the measured magnetic field.

$$B = \frac{-(D_{15} \times 2^{15}) + \sum_{i=0}^{14} D_i \times 2^i}{2^{16}} \times 2|B_R| \quad (1)$$

where

- B is magnetic field in mT.
- D_i is the data bit as shown in [Figure 7-5](#).
- B_R is the magnetic range in mT for the corresponding channel.

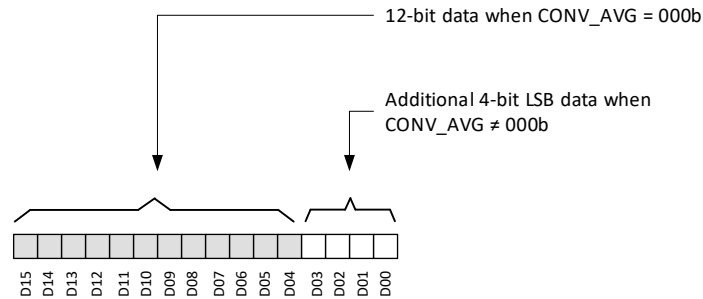


Figure 7-5. Magnetic Sensor Data Definition

With DATA_TYPE ≠ 00b, the 12 MSB bits (D04 to D15) from the magnetic result registers can be accessed. In this mode, use [Equation 2](#) to calculate the measured magnetic field.

$$B = \frac{-(D_{15} \times 2^{11}) + \sum_{i=4}^{14} D_i \times 2^{i-4}}{2^{12}} \times 2|B_R| \quad (2)$$

7.5.1.2 Temperature Sensor Data

The TMAG5170 temperature sensor will measure temperature from –40°C to 170°C. [Figure 7-6](#) shows the temperature stored in the 16-bit TEMP_RESULT register. With DATA_TYPE = 00b, the 16-bit temperature data can be accessed through regular 32-bit SPI read. Use [Equation 3](#) to calculate the temperature.

$$T = T_{SENS_T0} + \frac{TADC_T - TADC_{T0}}{TADC_{RES}} \quad (3)$$

where

- T is the measured temperature in degree Celsius.
- T_{SENS_T0} is the reference temperature in degree Celsius as listed in the [Electrical Characteristics](#) table.
- $TADC_{RES}$ is the change in ADC code per degree Celsius as listed in the [Electrical Characteristics](#) table.
- $TADC_{T0}$ is the TEMP_RESULT decimal value at reference temperature, T_{SENS_T0} as listed in the [Electrical Characteristics](#) table.
- $TADC_T$ is the measured TEMP_RESULT decimal value for temperature T.

With DATA_TYPE ≠ 00b, the 12 MSB bits from the TEMP_RESULT register can be accessed. In this mode, use 式 4 to calculate the temperature.

$$T = T_{SENS_T0} + \frac{16 \times \left(T_{ADC_T} - \frac{T_{ADC_T0}}{16} \right)}{T_{ADC_RES}} \quad (4)$$

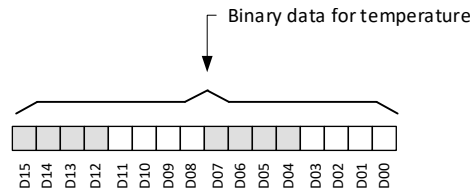


图 7-6. Temperature Sensor Data Definition

7.5.1.3 Magnetic Sensor Offset Correction

图 7-7 shows that the TMAG5170 can enable offset correction for a pair of magnetic axes. The magnetic axes and order are selected based off the ANGLE_EN register bit settings. The MAG_OFFSET_CONFIG register stores the offset values to be corrected in 2's complement data format. The selection and order of the sensors are defined in the ANGLE_EN register bits setting. The default value of these offset correction registers are set as zero.

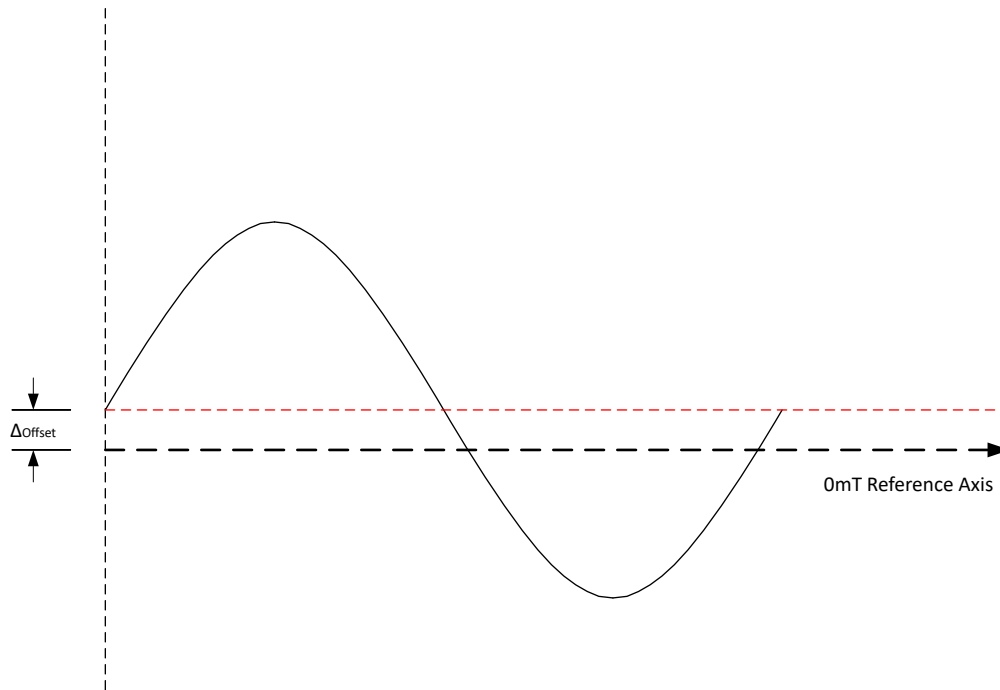


图 7-7. Magnetic Sensor Data Offset Correction

Use 式 5 and 式 6 to calculate the amount of offset for each axis. As an example, with a ±50mT magnetic range for X and Z axes, MAG_OFFSET_CONFIG set at 1110 0000 0011 0000b, ANGLE_EN set at 11b. With these conditions the offset correction for the X axis is -1.56mT and Z axis is 1.17mT. The offset values are added to the sensor conversion results before loading into the corresponding result registers.

$$\Delta_{Offset_Value1} = \frac{-(D_{13} \times 2^6) + \sum_{i=0}^5 D_i + 7 \times 2^i}{2^{12}} \times 2|B_R| \quad (5)$$

$$\Delta_{OffsetValue2} = \frac{-(D_6 \times 2^6) + \sum_{i=0}^5 D_i \times 2^i}{2^{12}} \times 2|B_R| \quad (6)$$

where

- Δ_{Offset_Value1} is the amount of offset correction (in mT) to be applied for first axis.
- Δ_{Offset_Value2} is the amount of offset correction (in mT) to be applied for second axis.
- D_i is the data bit in the offset MAG_OFFSET_CONFIG register.
- B_R is the magnetic range in mT for the corresponding channel.

7.5.1.4 Angle and Magnitude Data Definition

The TMAG5170 calculates the angle based off the ANGLE_EN register bit settings. [Fig 7-8](#) shows that the ANGLE_RESULT register stores the angle information in the 13-LSB bits. Bits D04-D12 store angle integer value from 0 to 360 degree. Bits D00-D03 store fractional angle value with a resolution of 1/16 degree. The 3-MSB bits are always populated as b000. The TMAG5170 CORDIC offers angle resolution of 1/4 degree. An external CORDIC may be used if higher angle resolution is required. Use [Equation 7](#) to calculate the angle.

$$A = \sum_{i=4}^{12} D_i \times 2^{i-4} + \frac{\sum_{i=0}^3 D_i \times 2^i}{16} \quad (7)$$

where

- A is the angle measured in degree.
- D_i is the data bit as shown in [Fig 7-8](#).

For example: a 354.50 degree is populated as 0001 0110 0010 1000b and a 17.25 degree is populated as 0000 0001 0001 0100b.

With DATA_TYPE \neq 00b, the D01-D12 bits from the ANGLE_RESULT register can be accessed. In this mode, the angle fractional value is represented by 3 bit with resolution of 1/8 degree. Use [Equation 8](#) to calculate the angle in degree.

$$A = \sum_{i=4}^{12} D_i \times 2^{i-4} + \frac{\sum_{i=1}^3 D_i \times 2^{i-1}}{8} \quad (8)$$

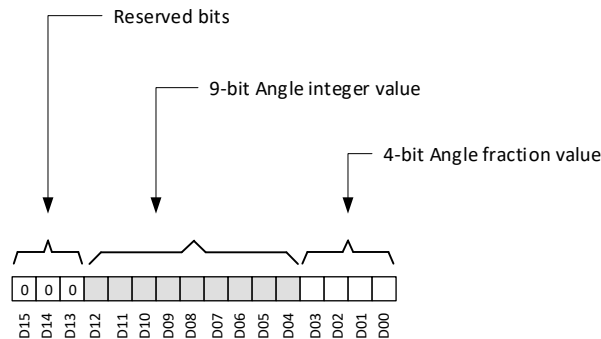


Fig 7-8. Angle Data Definition

During the angle calculation, use [Equation 9](#) to calculate the resultant vector magnitude.

$$M = \sqrt{MADC_{Ch1}^2 + MADC_{Ch2}^2} \quad (9)$$

where

- $MADC_{Ch1}$, $MADC_{Ch2}$ are the ADC codes of the two magnetic channels selected for the angle calculation.

Figure 7-9 shows the magnitude value stored in the MAGNITUDE_RESULT register. This value should be constant during 360 degree angle measurements.

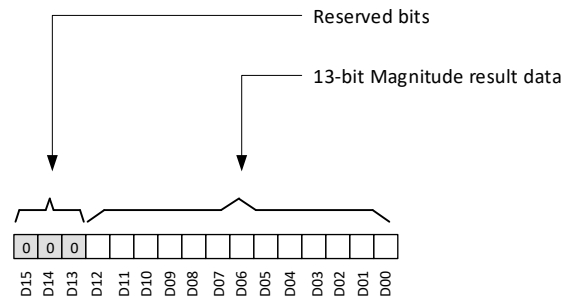


Figure 7-9. Magnitude Result Data Definition

The magnitude result can be accessed through SPI in 16-bit or 12-bit formats. In the 12-bit format, bit D01 to bit D12 are sent through the SPI.

7.5.2 SPI Interface

The Serial Peripheral Interface (SPI) is a synchronous serial communication interface used for short distance communication, usually between devices on a printed circuit board (PCB) assembly. The TMAG5170 supports a 4-wire SPI interface. The primary communication between the device and the external microcontroller is through the SPI bus that provides full-duplex communication. The external microcontroller works as the SPI controller that sends command requests on the SDI pin and receives device responses on the SDO pin. The TMAG5170 device works as the SPI peripheral device that receives command requests and sends responses (such as status and measured values) to the external microcontroller over the SDO line. The TMAG5170 supports a fixed 32-bit frame size to communicate with a controller device. However, the 32-bit frame can be configured through DATA_TYPE register bits to support a regular single register read data packet, or a special packet to read two-channel data simultaneously.

7.5.2.1 SCK

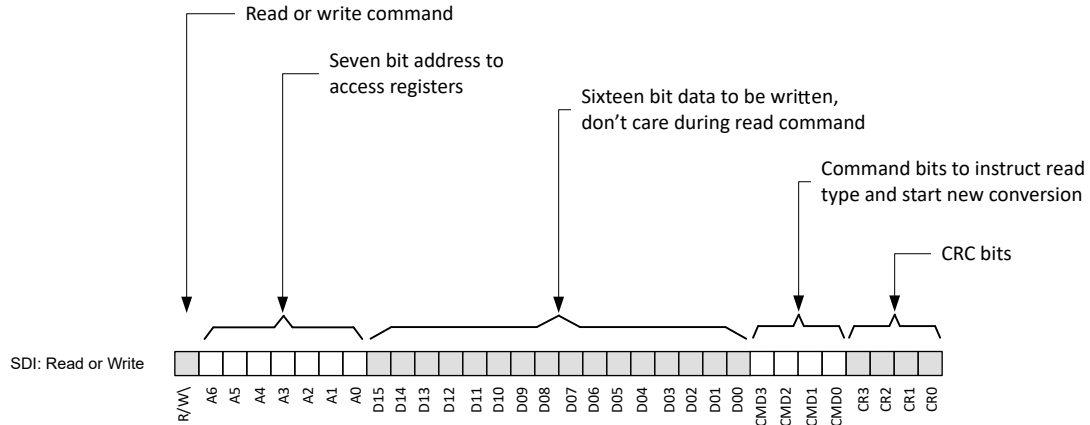
The Serial Clock (SCK) represents the controller clock signal. This clock determines the speed of data transfer and all receiving and sending are done synchronously to this clock. The output data on the SDO pin transitions on the falling edge of the SCK and input data on the SDI pin is latched on the rising edge of the SC.

7.5.2.2 \overline{CS}

The \overline{CS} activates the SPI interface at the SPI. As long as the \overline{CS} signal is at high level, the TMAG5170 will not accept the SCK signal or the Serial-data-in (SDI), and the Serial-data-out (SDO) is in high impedance. Hold \overline{CS} low for the duration of a communication frame without toggling to ensure proper communication. The SPI is disabled each time \overline{CS} is brought from low to high.

7.5.2.3 SDI

The Serial-data-in (SDI) line is used by the controller to configure the user access registers, start a new conversion, or send a read command. The SDI bits are transmitted with each SCK rising edge when the \overline{CS} pin is low. Figure 7-10 explains the SDI frame details. There are 4 command bits in the SDI line to select the status bit for the next frame or start a new conversion.



| | | |
|------|----------|--------------------------------------------------------------|
| CMD0 | CMD0 = 0 | No conversion start through command bits |
| | CMD0 = 1 | Start of conversion at the CS going high |
| CMD1 | CMD1 = 0 | Display SET_COUNT [2:0] in STAT [2:0] bits at SDO next frame |
| | CMD1 = 1 | Display DATA_TYPE [2:0] in STAT [2:0] bits at SDO next frame |

- * CMD2 & CMD3 are reserved bits
- ** SET_COUNT register bits indicate the rolling count of the conversion data set. The counter is reset after 111b.
- *** DATA_TYPE register bits indicate the type of data being read through the SDO line

7-10. 32-Bit Frame Definition of the SDI Line

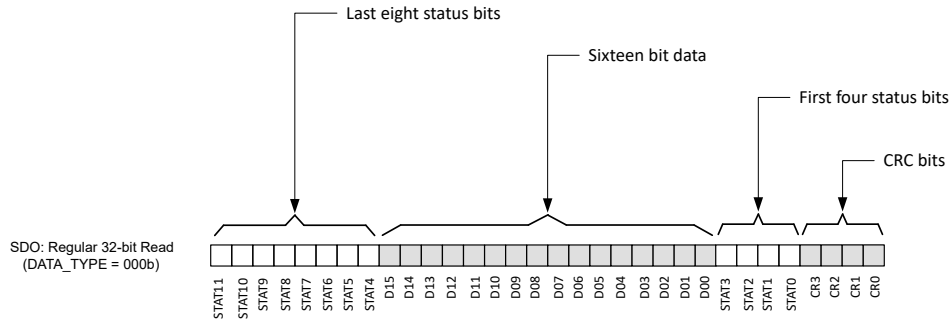
7.5.2.4 SDO

The Serial-data-out (SDO) line is used by the controller to read the data from the TMAG5170. The TMAG5170 will shift out command responses and ADC conversion data serially with each rising SCK edge when the \overline{CS} pin is low. This pin assumes a high-impedance state when \overline{CS} is high. Based off the DATA_TYPE bit setting, the TMAG5170 supports two different SDO frames:

- [Regular 32-Bit SDO Read](#)
- [Special 32-Bit SDO Read](#)

7.5.2.4.1 Regular 32-Bit SDO Read

With DATA_TYPE = 000b, the TMAG5170 supports a regular 16-bit register read during the 32-bit SDO frame as explained in [7-11](#). In this read mode, 12-bit status bits are displayed. All the status bits except for the ERROR_STAT bit are directly read from the status registers. The ERROR_STAT bit indicates if any error bit set in the device. [7-11](#) shows how the status bits STAT[2:0] can be changed based off CMD1 value in the previous frame.



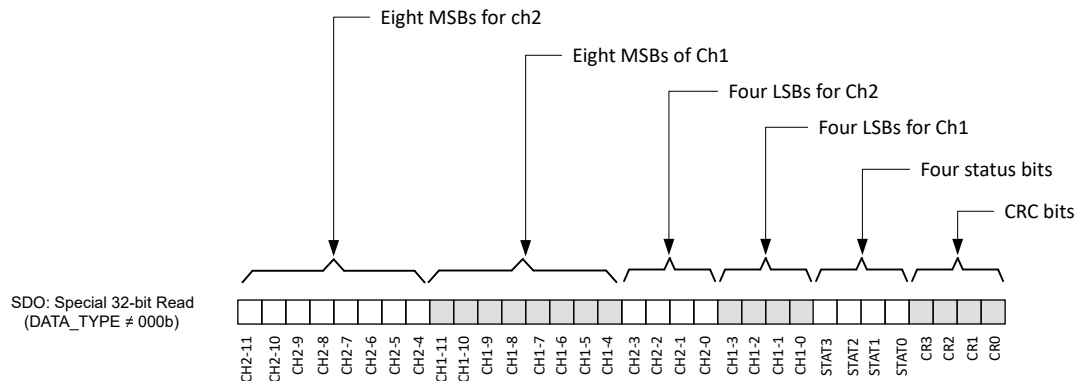
| | | | | | | | | | | | |
|---------------|-----------|--------------|--------------|-------|-------|-------|-------|------------|----------------------------------------------|-------|-------|
| STAT11 | STAT10 | STAT9 | STAT8 | STAT7 | STAT6 | STAT5 | STAT4 | STAT3 | STAT2 | STAT1 | STAT0 |
| PREV_CRC_STAT | CFG_RESET | ALRT_STATUS1 | ALRT_STATUS0 | X | Y | Z | T | ERROR_STAT | Follows CMD1 instruction from previous frame | | |

- * PREV_CRC_STAT indicates if there is any CRC error in the immediate past frame
- ** ERROR_STAT indicates if there is any error bit flipped in the part
- *** STAT10 to STAT4 indicate select status bits from the CONV_STATUS and AFE_STATUS registers

7-11. Regular 32-Bit SDO Read

7.5.2.4.2 Special 32-Bit SDO Read

With DATA_TYPE > 000b, the TMAG5170 supports a special 32-bit SDO frame for two-channel simultaneous data read. Each channel data is limited to 12 bits. This feature is useful for systems requiring faster data throughput while performing multi-axis measurements. 7-12 explains the detail construction of the special 32-bit SDO frame. When the device is set to special 32-bit read, it will continue to deliver the 2-channel data set through the SDO line during consecutive read or write cycles. DATA_TYPE bits must be reset to get back to a regular read cycle. Only four status bits are transmitted in this mode. All the status bits except for the ERROR_STAT bit are directly read from the status registers. The ERROR_STAT bit indicates if any error bit set in the device. The status bits, STAT[2:0] can be changed based off CMD1 value in the previous frame.



| | | | |
|------------|----------------------------------------------|-------|-------|
| STAT3 | STAT2 | STAT1 | STAT0 |
| ERROR_STAT | Follows CMD1 instruction from previous frame | | |

- * ERROR_STAT indicates if there is any error bit set in the device

7-12. Special 32-Bit SDO Read

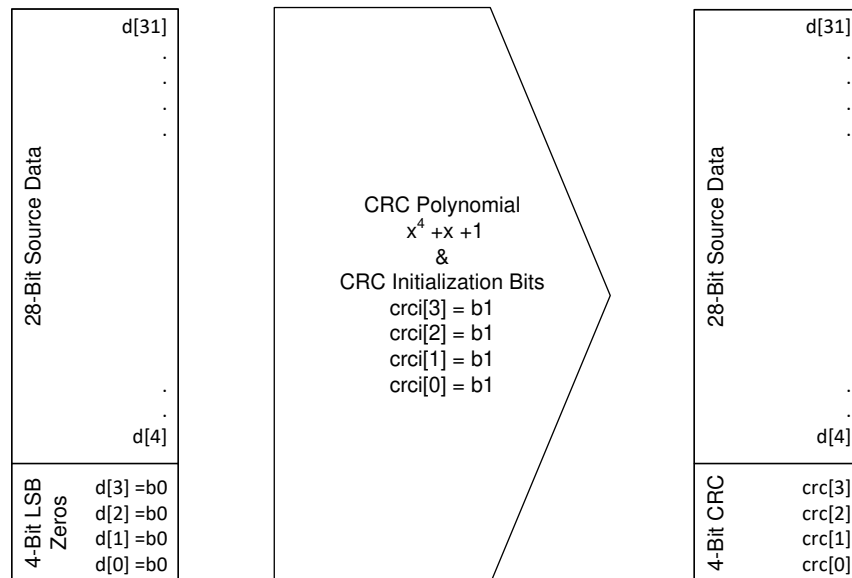
7.5.2.5 SPI CRC

The TMAG5170 performs mandatory CRC for SPI communication. The Data integrity is maintained in both directions by a 4-bit CRC covering the content of the incoming and outgoing 32-bit messages. The four LSB bits of each 32-bit SPI frame are dedicated for the CRC. The CRC code is generated by the polynomial $x^4 + x + 1$. Initialize the CRC bits with b1111.

During the SDI write frame, the TMAG5170 reads for the CRC data before executing a write instruction. The write instruction from the controller is ignored if there is any CRC error present in the frame. During the SDI regular read frame, the TMAG5170 starts to deliver the requested data through SDO line in the same frame and notifies the controller of any error occurrence through the `ERROR_STAT` bit. If the device detects a CRC error in the SDI line, the device will invert the last bit of the SDO CRC in the same frame to promptly signal to a controller that the SPI communication is compromised. A controller can also determine the presence of a CRC error in the SDI frame by checking the Status11 bit in the next regular read frame.

Note

The TMAG5170 default mode at power up is CRC-enabled. With CRC enabled, the device will ignore all the SDI commands if proper CRC codes are not received. To disable the CRC at the SDI line, send the SPI SDI command `x0F000407`.



7-13. 4-Bit CRC Calculation

Use the following XOR function equations to calculate the 4-bit CRC. 7-13 describes the notations of these equations.

$$crc[0] = d[30] \wedge d[26] \wedge d[25] \wedge d[24] \wedge d[23] \wedge d[21] \wedge d[19] \wedge d[18] \wedge d[15] \wedge d[11] \wedge d[10] \wedge d[9] \wedge d[8] \wedge d[6] \wedge d[4] \wedge d[3] \wedge d[0] \wedge crci[2] \quad (10)$$

$$crc[1] = d[31] \wedge d[30] \wedge d[27] \wedge d[23] \wedge d[22] \wedge d[21] \wedge d[20] \wedge d[18] \wedge d[16] \wedge d[15] \wedge d[12] \wedge d[8] \wedge d[7] \wedge d[6] \wedge d[5] \wedge d[3] \wedge d[1] \wedge d[0] \wedge crci[2] \wedge crci[3] \quad (11)$$

$$crc[2] = d[31] \wedge d[28] \wedge d[24] \wedge d[23] \wedge d[22] \wedge d[21] \wedge d[19] \wedge d[17] \wedge d[16] \wedge d[13] \wedge d[9] \wedge d[8] \wedge d[7] \wedge d[6] \wedge d[4] \wedge d[2] \wedge d[1] \wedge crci[0] \wedge crci[3] \quad (12)$$

$$crc[3] = d[29] \wedge d[25] \wedge d[24] \wedge d[23] \wedge d[22] \wedge d[20] \wedge d[18] \wedge d[17] \wedge d[14] \wedge d[10] \wedge d[9] \wedge d[8] \wedge d[7] \wedge d[5] \wedge d[3] \wedge d[2] \wedge crci[1] \quad (13)$$

The following shows example codes for calculating the 4-bit CRC.

```
function logic [3:0] calculate_crc4;
    input logic [27:0] frame;

    logic [31:0]    padded_frame;
    logic [3:0]    frame_crc;
    logic          inv;
    integer        i;

    padded_frame = {frame, 4'b0000};


    begin
        frame_crc = 4'hf; // initial value
        for (i=31; i >= 0; i=i-1) begin
            inv = padded_frame[i] ^ frame_crc[3];
            frame_crc[3] = frame_crc[2];
            frame_crc[2] = frame_crc[1];
            frame_crc[1] = frame_crc[0] ^ inv;
            frame_crc[0] = inv;
        end
        return frame_crc;
    end
endfunction
```

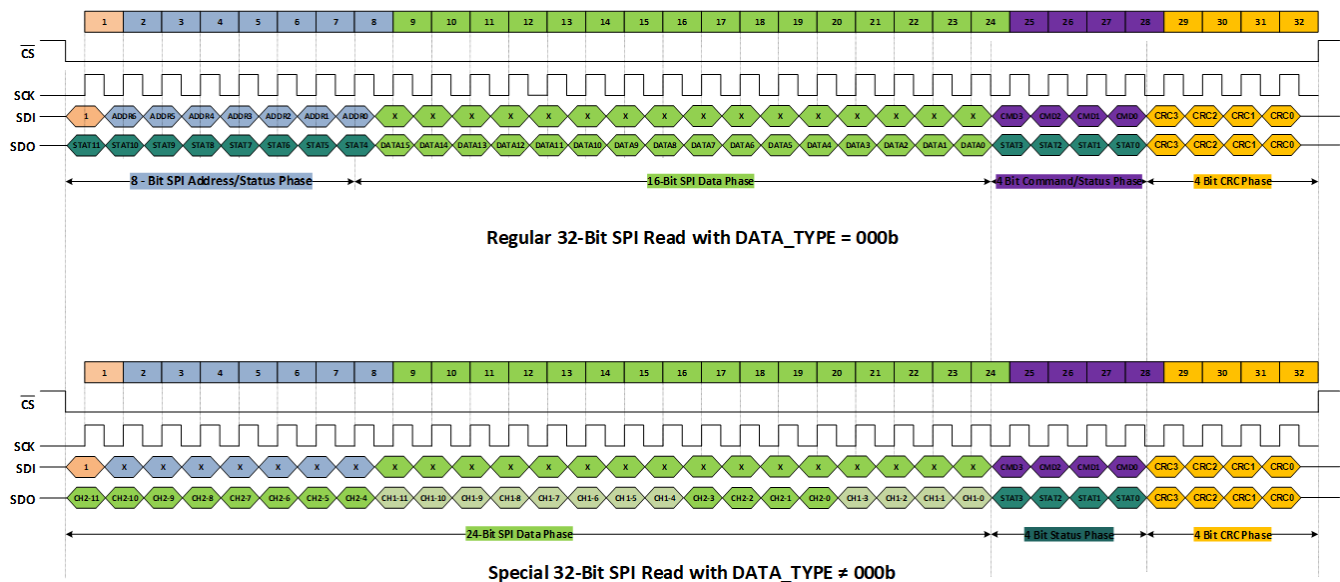
7.5.2.6 SPI Frame

With the flexible definition of the 32-bit frames, the TMAG5170 supports a wide array of application requirements catering to multiple user-specific data throughout. Two different frame examples are shown in this section to illustrate the complete SPI bus communication:

- [32-Bit Read Frame](#)
- [32-Bit Write Frame](#)

7.5.2.6.1 32-Bit Read Frame

 **7-14** shows both regular and special SDO frames during SDI read command. The TMAG5170 implements in-frame communication. When the controller sends a register read command during a regular read cycle, the corresponding 16-bit register data is sent through the SDO line in the same frame. During the special read cycle, the TMAG5170 ignores the address and data bits of the SDI line and sends the two channel data set through the SDO line as defined in the DATA_TYPE register bits.

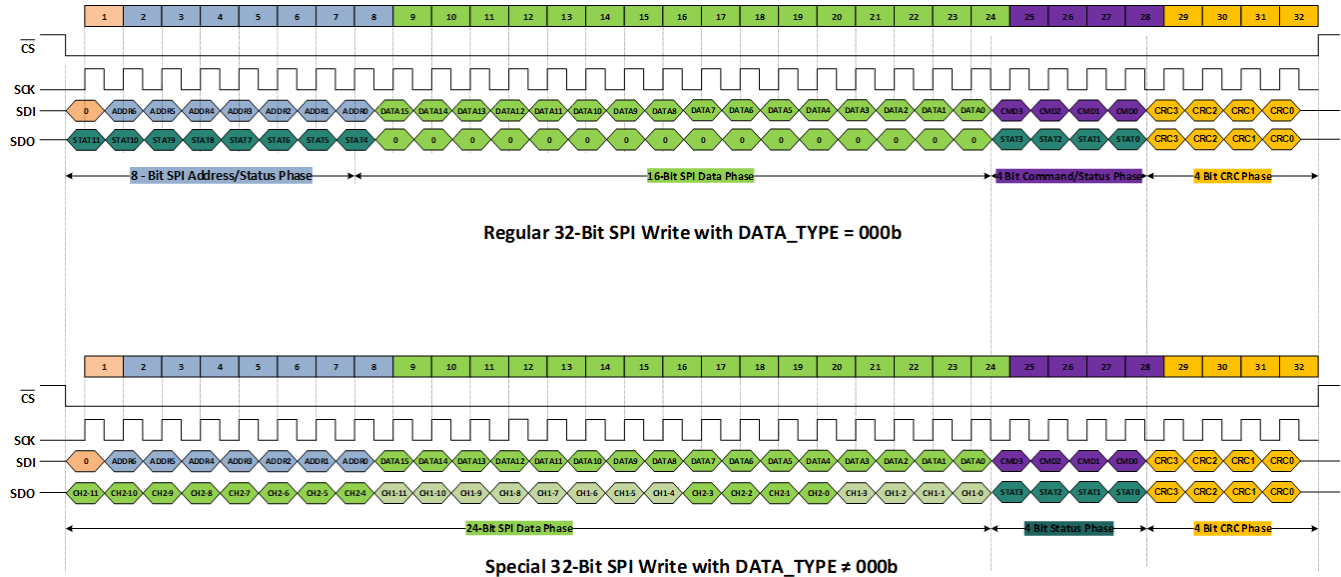


* With DATA_TYPE = 000b, the SDO will deliver the requested 16-bit register data during the same frame
 ** With DATA_TYPE ≠ 000b, the SDO will continue to deliver two channel data and ignore the address and data bits of the SDI line
 *** X = don't care

 **7-14. 32-Bit SPI Read**

7.5.2.6.2 32-Bit Write Frame

Figure 7-15 shows both regular and special SDO frames during SDI write command. During a regular 32-bit frame write command through SDI, the SDO delivers '0's in place of 16-bit data placeholders. During the special frame write cycle through SDI line, the TMAG5170 will continue to send the two channel data through SDO line as defined by the DATA_TYPE register bits.



* With DATA_TYPE = 000b, the SDO will deliver '0's in the 16-bit data space during write frame
** With DATA_TYPE ≠ 000b, the SDO will continue to deliver two channel data during either read or write frames.

Figure 7-15. 32-BIT WRITE FRAME

7.6 Register Map

7.6.1 TMAG5170 Registers

Table 7-4 lists the TMAG5170 registers. All register offset addresses not listed in Table 7-4 should be considered as reserved locations and the register contents should not be modified.

Reserved 2

Table 7-4. TMAG5170 Registers

| Offset | Acronym | Register Name | Section |
|--------|---------------|----------------------------------|--------------------|
| 0h | DEVICE_CONFIG | Configure Device Operation Modes | Go |
| 1h | SENSOR_CONFIG | Configure Device Operation Modes | Go |
| 2h | SYSTEM_CONFIG | Configure Device Operation Modes | Go |
| 3h | ALERT_CONFIG | Configure Device Operation Modes | Go |
| 4h | X_THRX_CONFIG | Configure Device Operation Modes | Go |
| 5h | Y_THRX_CONFIG | Configure Device Operation Modes | Go |
| 6h | Z_THRX_CONFIG | Configure Device Operation Modes | Go |
| 7h | T_THRX_CONFIG | Configure Device Operation Modes | Go |
| 8h | CONV_STATUS | Conversion Status Register | Go |
| 9h | X_CH_RESULT | Conversion Result Register | Go |
| Ah | Y_CH_RESULT | Conversion Result Register | Go |
| Bh | Z_CH_RESULT | Conversion Result Register | Go |
| Ch | TEMP_RESULT | Conversion Result Register | Go |
| Dh | AFE_STATUS | Status Register | Go |

表 7-4. TMAG5170 Registers (continued)

| Offset | Acronym | Register Name | Section |
|--------|-------------------|----------------------------------|--------------------|
| Eh | SYS_STATUS | Status Register | Go |
| Fh | TEST_CONFIG | Test Configuration Register | Go |
| 10h | OSC_MONITOR | Conversion Result Register | Go |
| 11h | MAG_GAIN_CONFIG | Configure Device Operation Modes | Go |
| 12h | MAG_OFFSET_CONFIG | Configure Device Operation Modes | Go |
| 13h | ANGLE_RESULT | Conversion Result Register | Go |
| 14h | MAGNITUDE_RESULT | Conversion Result Register | Go |

Complex bit access types are encoded to fit into small table cells. 表 7-5 shows the codes that are used for access types in this section.

表 7-5. TMAG5170 Access Type Codes

| Access Type | Code | Description |
|------------------------|--------|----------------------------------------|
| Read Type | | |
| R | R | Read |
| RC | R C | Read to Clear |
| Write Type | | |
| W | W | Write |
| Reset or Default Value | | |
| - n | | Value after reset or the default value |

7.6.1.1 DEVICE_CONFIG Register (Offset = 0h) [Reset = 0h]

DEVICE_CONFIG is shown in 表 7-6.

Return to the [Summary Table](#).

表 7-6. DEVICE_CONFIG Register Field Descriptions

| Bit | Field | Type | Reset | Description |
|-------|------------|------|-------|------------------------------------------------------------------------------------------------------------------------------------------------------------------------------------------------------------------------------------------------------------------------------------------------------------------------------------------------------------------------------------------------------------------------------------------------------------------------------------------------------------------------------|
| 15 | RESERVED | R | 0h | Reserved |
| 14-12 | CONV_AVG | R/W | 0h | Enables additional sampling of the sensor data to reduce the noise effect (or to increase resolution) 0h = 1x - 10.0Ksps (3-axes) or 20Ksps (1 axis) 1h = 2x - 5.7Ksps (3-axes) or 13.3Ksps (1 axis) 2h = 4x - 3.1Ksps (3-axes) or 8.0Ksps (1 axis) 3h = 8x - 1.6Ksps (3-axes) or 4.4Ksps (1 axis) 4h = 16x - 0.8Ksps (3-axes) or 2.4Ksps (1 axis) 5h = 32x - 0.4Ksps (3-axes) or 1.2Ksps (1 axis) 6h = Code not used, defaults to 000b if selected 7h = Code not used, defaults to 000b if selected |
| 11-10 | RESERVED | R | 0h | Reserved |
| 9-8 | MAG_TEMPCO | R/W | 0h | Temperature coefficient of sense magnet 0h = 0%/ deg C (Current sensor applications) 1h = 0.12%/deg C (NdBFe) 2h = 0.03% /deg C (SmCo) 3h = 0.2%/deg C (Ceramic) |
| 7 | RESERVED | R | 0h | Reserved |

表 7-6. DEVICE_CONFIG Register Field Descriptions (continued)

| Bit | Field | Type | Reset | Description |
|-----|----------------|------|-------|-----------------------------------------------------------------------------------------------------------------------------------------------------------------------------------------------------------------------------------------------------------------------------------------------------------------------------------------------------------------------------------------------------------------------------|
| 6-4 | OPERATING_MODE | R/W | 0h | Selects operating mode 0h = Configuration mode, Default (TRIGGER_MODE active) 1h = Stand-by mode (TRIGGER_MODE active) 2h = Active measure mode (Continuous conversion) 3h = Active trigger mode (TRIGGER_MODE active) 4h = Wake-up and sleep mode (duty-cycled mode) 5h = Sleep mode 6h = Deep sleep mode (wakes up at CS signal from controller) 7h = Code not used, defaults to 000b if selected |
| 3 | T_CH_EN | R/W | 0h | Enables data acquisition of the temperature channel 0h = Temp channel disabled, Default 1h = Temp channel enabled |
| 2 | T_RATE | R/W | 0h | Temperature conversion rate. It is linked to the CONV_AVG field 0h = Same as other sensors per CONV_AVG, Default 1h = Once per conversion set |
| 1 | T_HLT_EN | R/W | 0h | Enables temperature limit check 0h = Temperature limit check off, Default 1h = Temperature limit check on |
| 0 | RESERVED | R | 0h | Reserved |

7.6.1.2 SENSOR_CONFIG Register (Offset = 1h) [Reset = 0h]

SENSOR_CONFIG is shown in [表 7-7](#).

Return to the [Summary Table](#).

表 7-7. SENSOR_CONFIG Register Field Descriptions

| Bit | Field | Type | Reset | Description |
|-------|-----------|------|-------|-----------------------------------------------------------------------------------------------------------------------------------------------------------------------------------------------------------------------------------------------------------------------------------------------------------------------------------------------------------------------------------------------------------------------------------------------------------------------------------------------------------------------------------------------------------|
| 15-14 | ANGLE_EN | R/W | 0h | Enable angle calculation using two axis data 0h = No angle calculation (default) 1h = X-Y-angle calculation enabled 2h = Y-Z-angle calculation enabled 3h = X-Z-angle calculation enabled |
| 13-10 | SLEEPTIME | R/W | 0h | Selects the time spent in low power mode between conversions when OPERATING_MODE = 010b 0h = 1ms 1h = 5ms 2h = 10ms 3h = 15ms 4h = 20ms 5h = 30ms 6h = 50ms 7h = 100ms 8h = 500ms 9h = 1000ms Ah = Code not used, defaults to 0000b if selected Bh = Code not used, defaults to 0000b if selected Ch = Code not used, defaults to 0000b if selected Dh = Code not used, defaults to 0000b if selected Eh = Code not used, defaults to 0000b if selected Fh = Code not used, defaults to 0000b if selected |

表 7-7. SENSOR_CONFIG Register Field Descriptions (continued)

| Bit | Field | Type | Reset | Description |
|-----|-----------|------|-------|--------------------------------------------------------------------------------------------------------------------------------------------------------------------------------------------------------------------------------------------------------------------------------------------------------------------------------------------------------------------------------------------------------------------------------------------------------------------------------------------------------------------------------------------------|
| 9-6 | MAG_CH_EN | R/W | 0h | Enables data acquisition of the magnetic axis channel(s) 0h = All magnetic channels of OFF, DEFAULT 1h = X channel enabled 2h = Y channel enabled 3h = X, Y channel enabled 4h = Z channel enabled 5h = Z, X channel enabled 6h = Y, Z channel enabled 7h = X, Y, Z channel enabled 8h = XYX channel enabled 9h = YXY channel enabled Ah = YZY channel enabled Bh = ZYZ channel enabled Ch = ZXZ channel enabled Dh = XZX channel enabled Eh = XYZYX channel enabled Fh = XYZZYX channel enabled |
| 5-4 | Z_RANGE | R/W | 0h | Enables different magnetic ranges to support magnetic fields from $\pm 25\text{mT}$ to $\pm 300\text{mT}$ 0h = $\pm 50\text{mT}$ (TMAG5170A1)/ $\pm 150\text{mT}$ (TMAG5170A2), Default 1h = $\pm 25\text{mT}$ (TMAG5170A1)/ $\pm 75\text{mT}$ (TMAG5170A2) 2h = $\pm 100\text{mT}$ (TMAG5170A1)/ $\pm 300\text{mT}$ (TMAG5170A2) 3h = Code not used, defaults to 00b if selected |
| 3-2 | Y_RANGE | R/W | 0h | Enables different magnetic ranges to support magnetic fields from $\pm 25\text{mT}$ to $\pm 300\text{mT}$ 0h = $\pm 50\text{mT}$ (TMAG5170A1)/ $\pm 150\text{mT}$ (TMAG5170A2), Default 1h = $\pm 25\text{mT}$ (TMAG5170A1)/ $\pm 75\text{mT}$ (TMAG5170A2) 2h = $\pm 100\text{mT}$ (TMAG5170A1)/ $\pm 300\text{mT}$ (TMAG5170A2) 3h = Code not used, defaults to 00b if selected |
| 1-0 | X_RANGE | R/W | 0h | Enables different magnetic ranges to support magnetic fields from $\pm 25\text{mT}$ to $\pm 300\text{mT}$ 0h = $\pm 50\text{mT}$ (TMAG5170A1)/ $\pm 150\text{mT}$ (TMAG5170A2), Default 1h = $\pm 25\text{mT}$ (TMAG5170A1)/ $\pm 75\text{mT}$ (TMAG5170A2) 2h = $\pm 100\text{mT}$ (TMAG5170A1)/ $\pm 300\text{mT}$ (TMAG5170A2) 3h = Code not used, defaults to 00b if selected |

7.6.1.3 SYSTEM_CONFIG Register (Offset = 2h) [Reset = 0h]

SYSTEM_CONFIG is shown in [表 7-8](#).

Return to the [Summary Table](#).

表 7-8. SYSTEM_CONFIG Register Field Descriptions

| Bit | Field | Type | Reset | Description |
|-------|--------------|------|-------|--------------------------------------------------------------------------------------------------------------------------------------------------------------------------------------------------------------------------------------------------------------------------------------------------------------------------------------------------------------------------------------------------------------------------------------------------------------------------------------------|
| 15-14 | RESERVED | R | 0h | Reserved |
| 13-12 | DIAG_SEL | R/W | 0h | Selects a diagnostic mode run 0h = Run all data path diagnostics all together, Default 1h = Run only enabled data path diagnostics all together 2h = Run all data path diagnostics in sequence 3h = Run only enabled data path diagnostics in sequence |
| 11 | RESERVED | R | 0h | Reserved |
| 10-9 | TRIGGER_MODE | R/W | 0h | Selects a condition which initiates a single conversion based off already configured registers. A running conversion completes before executing a trigger. Redundant triggers are ignored. TRIGGER_MODE is available only during the modes explicitly mentioned in OPERATING_MODE. 0h = Conversion start at SPI command, Default 1h = Conversion start at $\overline{\text{CS}}$ pulse 2h = Conversion start at ALERT pulse 3h = Code not used, defaults to 00b if selected |

表 7-8. SYSTEM_CONFIG Register Field Descriptions (continued)

| Bit | Field | Type | Reset | Description |
|-----|-----------|------|-------|------------------------------------------------------------------------------------------------------------------------------------------------------------------------------------------------------------------------------------------------------------------------------------------------------------------|
| 8-6 | DATA_TYPE | R/W | 0h | Data Type to be accessed from results registers via SPI 0h = Default 32-bit register access 1h = 12-Bit XY data access 2h = 12-Bit XZ data access 3h = 12-Bit ZY data access 4h = 12-Bit XT data access 5h = 12-Bit YT data access 6h = 12-Bit ZT data access 7h = 12-Bit AM data access |
| 5 | DIAG_EN | R/W | 0h | Enables user controlled AFE diagnostic tests 0h = Execution of AFE diagnostics is disabled, Default 1h = Execution of AFE diagnostics is enabled |
| 4-3 | RESERVED | R | 0h | Reserved |
| 2 | Z_HLT_EN | R/W | 0h | Enables magnetic field limit check on Z axis 0h = Z axis limit check off, Default 1h = Z axis limit check on |
| 1 | Y_HLT_EN | R/W | 0h | Enables magnetic field limit check on Y axis 0h = Y axis limit check off, Default 1h = Y axis limit check on |
| 0 | X_HLT_EN | R/W | 0h | Enables magnetic field limit check on X axis 0h = X axis limit check off, Default 1h = X axis limit check on |

7.6.1.4 ALERT_CONFIG Register (Offset = 3h) [Reset = 0h]

ALERT_CONFIG is shown in [表 7-9](#).

Return to the [Summary Table](#).

表 7-9. ALERT_CONFIG Register Field Descriptions

| Bit | Field | Type | Reset | Description |
|-------|--------------|------|-------|----------------------------------------------------------------------------------------------------------------------------------------------------------------------------------------------------------------------------------------------------------------------------------------------------------------------------------------------------------|
| 15-14 | RESERVED | R | 0h | Reserved |
| 13 | ALERT_LATCH | R/W | 0h | Latched ALERT mode select 0h = ALERT sources are not latched. ALERT is asserted only while the source of the ALERT response is present 1h = ALERT sources are latched. ALERT response is latched when the source of the ALERT is asserted until cleared on Read of the corresponding status register (AFE_STATUS, SYS_STATUS, or result registers) |
| 12 | ALERT_MODE | R/W | 0h | ALERT mode select 0h = Interrupt mode 1h = Switch mode. This mode overrides any interrupt function (ALERT trigger is also disabled), and implements Hall switch function based off the *_THR*_ALRT settings. In the switch mode the corresponding X_HLT_EN, Y_HLT_EN, Z_HLT_EN need to be set. |
| 11 | STATUS_ALERT | R/W | 0h | Enable ALERT response when any flag in the AFE_STATUS or SYS_STATUS registers are set 0h = ALERT is not asserted when any of the AFE_STATUS or SYS_STATUS bit is set 1h = ALERT output is asserted when any of the AFE_STATUS or SYS_STATUS bit is set |
| 10-9 | RESERVED | R | 0h | Reserved |
| 8 | RSLT_ALERT | R/W | 0h | Enable ALERT response when the configured set of conversions is complete 0h = ALERT is not used to signal when the configured set of conversions are complete 1h = ALERT output is asserted when the configured set of conversions are complete |

表 7-9. ALERT_CONFIG Register Field Descriptions (continued)

| Bit | Field | Type | Reset | Description |
|-----|--------------|------|-------|-------------------------------------------------------------------------------------------------------------------------------------------------------------------------------------------------------------------------------------|
| 7-6 | RESERVED | R | 0h | Reserved |
| 5-4 | THRX_COUNT | R/W | 0h | Number of conversions above the HIGH threshold or below the LOW threshold before the ALERT response is initiated 0h = 1-Conversion result 1h = 2-Conversion results 2h = 3-Conversion results 3h = 4-Conversion results |
| 3 | T_THRX_ALERT | R/W | 0h | Temperature threshold ALERT enable 0h = ALERT is not used to signal when temperature thresholds are crossed 1h = ALERT output is asserted when temperature thresholds are crossed |
| 2 | Z_THRX_ALERT | R/W | 0h | Z-Channel threshold ALERT enable 0h = ALERT is not used to signal when Z-Axis magnetic thresholds are crossed 1h = ALERT output is asserted when Z-Axis magnetic thresholds are crossed |
| 1 | Y_THRX_ALERT | R/W | 0h | Y-Channel threshold ALERT enable 0h = ALERT is not used to signal when Y-Axis magnetic thresholds are crossed 1h = ALERT output is asserted when Y-Axis magnetic thresholds are crossed |
| 0 | X_THRX_ALERT | R/W | 0h | X-Channel threshold ALERT enable 0h = ALERT is not used to signal when X-Axis magnetic thresholds are crossed 1h = ALERT output is asserted when X-Axis magnetic thresholds are crossed |

7.6.1.5 X_THRX_CONFIG Register (Offset = 4h) [Reset = 7D83h]

X_THRX_CONFIG is shown in [表 7-10](#).

Return to the [Summary Table](#).

表 7-10. X_THRX_CONFIG Register Field Descriptions

| Bit | Field | Type | Reset | Description |
|------|----------------|------|-------|------------------------------------------------------------------------------------------------------------------------------------------------------------------------------------------------------------|
| 15-8 | X_HI_THRESHOLD | R/W | 7Dh | X-Axis maximum magnetic field threshold. User input as 2's complement 8-bit binary number. The threshold in mT can be calculated as: $(X_RANGE/128)*X_HI_THRESHOLD$. Default to 98% of the full-scale |
| 7-0 | X_LO_THRESHOLD | R/W | 83h | X-Axis minimum magnetic field threshold. User input as 2's complement 8-bit binary number. The threshold in mT can be calculated as: $(X_RANGE/128)*X_LO_THRESHOLD$. Default to -98% of the full-scale |

7.6.1.6 Y_THRX_CONFIG Register (Offset = 5h) [Reset = 7D83h]

Y_THRX_CONFIG is shown in [表 7-11](#).

Return to the [Summary Table](#).

表 7-11. Y_THRX_CONFIG Register Field Descriptions

| Bit | Field | Type | Reset | Description |
|------|----------------|------|-------|------------------------------------------------------------------------------------------------------------------------------------------------------------------------------------------------------------|
| 15-8 | Y_HI_THRESHOLD | R/W | 7Dh | Y-Axis maximum magnetic field threshold. User input as 2's complement 8-bit binary number. The threshold in mT can be calculated as: $(Y_RANGE/128)*Y_HI_THRESHOLD$. Default to 98% of the full-scale. |

表 7-11. Y_THRX_CONFIG Register Field Descriptions (continued)

| Bit | Field | Type | Reset | Description |
|-----|----------------|------|-------|-------------------------------------------------------------------------------------------------------------------------------------------------------------------------------------------------------------|
| 7-0 | Y_LO_THRESHOLD | R/W | 83h | Y-Axis minimum magnetic field threshold. User input as 2's complement 8-bit binary number. The threshold in mT can be calculated as: $(Y_RANGE/128)*Y_LO_THRESHOLD$. Default to -98% of the full-scale. |

7.6.1.7 Z_THRX_CONFIG Register (Offset = 6h) [Reset = 7D83h]

Z_THRX_CONFIG is shown in [表 7-12](#).

Return to the [Summary Table](#).

表 7-12. Z_THRX_CONFIG Register Field Descriptions

| Bit | Field | Type | Reset | Description |
|------|----------------|------|-------|------------------------------------------------------------------------------------------------------------------------------------------------------------------------------------------------------------|
| 15-8 | Z_HI_THRESHOLD | R/W | 7Dh | Z-Axis maximum magnetic field threshold. User input as 2's complement 8-bit binary number. The threshold in mT can be calculated as: $(Z_RANGE/128)*Z_HI_THRESHOLD$. Default to 98% of the full-scale |
| 7-0 | Z_LO_THRESHOLD | R/W | 83h | Z-Axis minimum magnetic field threshold. User input as 2's complement 8-bit binary number. The threshold in mT can be calculated as: $(Z_RANGE/128)*X_LO_THRESHOLD$. Default to -98% of the full-scale |

7.6.1.8 T_THRX_CONFIG Register (Offset = 7h) [Reset = 6732h]

T_THRX_CONFIG is shown in [表 7-13](#).

Return to the [Summary Table](#).

表 7-13. T_THRX_CONFIG Register Field Descriptions

| Bit | Field | Type | Reset | Description |
|------|----------------|------|-------|------------------------------------------------------------------------------------------------------------------------------------------------------------------------|
| 15-8 | T_HI_THRESHOLD | R/W | 67h | Temperature maximum threshold. User input as 2's complement 8-bit binary number. Each LSB in this field corresponds to 4.267°C. Default value of 67h represents 172°C. |
| 7-0 | T_LO_THRESHOLD | R/W | 32h | Temperature minimum threshold. User input as 2's complement 8-bit binary number. Each LSB in this field corresponds to 4.267°C. Default value of 32h represents -53°C. |

7.6.1.9 CONV_STATUS Register (Offset = 8h) [Reset = 0h]

CONV_STATUS is shown in [表 7-14](#).

Return to the [Summary Table](#).

表 7-14. CONV_STATUS Register Field Descriptions

| Bit | Field | Type | Reset | Description |
|-------|----------|------|-------|----------------------------------------------------------------------------------------------------------------------------------------------------|
| 15-14 | RESERVED | R | 0h | Reserved |
| 13 | RDY | R | 0h | Conversion data buffer is ready. 0h = Conversion data not valid (result registers hold previous conversion value) 1h = Conversion data valid |
| 12 | A | R | 0h | Angle/Magnitude data from current conversion 0h = Data is not current 1h = Data is current |
| 11 | T | R | 0h | Temperature data from current conversion 0h = Temperature data is not current 1h = Temperature data is current |

表 7-14. CONV_STATUS Register Field Descriptions (continued)

| Bit | Field | Type | Reset | Description |
|-----|-------------|------|-------|--------------------------------------------------------------------------------------------------------------------------------------------------------------------|
| 10 | Z | R | 0h | Z-Channel data from current conversion 0h = Z-Channel data is not current 1h = Z-Channel data is current |
| 9 | Y | R | 0h | Y-Channel data from current conversion 0h = Y-Channel data is not current 1h = Y-Channel data is current |
| 8 | X | R | 0h | X-Channel data from current conversion 0h = X-Channel data is not current 1h = X-Channel data is current |
| 7 | RESERVED | R | 0h | Reserved |
| 6-4 | SET_COUNT | R | 0h | Rolling count of conversion data sets |
| 3-2 | RESERVED | R | 0h | Reserved |
| 1-0 | ALRT_STATUS | R | 0h | State of ALERT response 0h = No ALERT conditions 1h = AFE status flag set 2h = SYS status flag set 3h = Flags set in both AFE and SYS status registers |

7.6.1.10 X_CH_RESULT Register (Offset = 9h) [Reset = 0h]

X_CH_RESULT is shown in [表 7-15](#).

Return to the [Summary Table](#).

表 7-15. X_CH_RESULT Register Field Descriptions

| Bit | Field | Type | Reset | Description |
|------|-------------|------|-------|-----------------------------------|
| 15-0 | X_CH_RESULT | R | 0h | X-Channel data conversion results |

7.6.1.11 Y_CH_RESULT Register (Offset = Ah) [Reset = 0h]

Y_CH_RESULT is shown in [表 7-16](#).

Return to the [Summary Table](#).

表 7-16. Y_CH_RESULT Register Field Descriptions

| Bit | Field | Type | Reset | Description |
|------|-------------|------|-------|-----------------------------------|
| 15-0 | Y_CH_RESULT | R | 0h | Y-Channel data conversion results |

7.6.1.12 Z_CH_RESULT Register (Offset = Bh) [Reset = 0h]

Z_CH_RESULT is shown in [表 7-17](#).

Return to the [Summary Table](#).

表 7-17. Z_CH_RESULT Register Field Descriptions

| Bit | Field | Type | Reset | Description |
|------|-------------|------|-------|-----------------------------------|
| 15-0 | Z_CH_RESULT | R | 0h | Z-Channel data conversion results |

7.6.1.13 TEMP_RESULT Register (Offset = Ch) [Reset = 0h]

TEMP_RESULT is shown in [表 7-18](#).

Return to the [Summary Table](#).

表 7-18. TEMP_RESULT Register Field Descriptions

| Bit | Field | Type | Reset | Description |
|------|-------------|------|-------|--------------------------------------------|
| 15-0 | TEMP_RESULT | R | 0h | Temperature sensor data conversion results |

7.6.1.14 AFE_STATUS Register (Offset = Dh) [Reset = 8000h]

AFE_STATUS is shown in [表 7-19](#).

Return to the [Summary Table](#).

表 7-19. AFE_STATUS Register Field Descriptions

| Bit | Field | Type | Reset | Description |
|-------|-----------|------|-------|--------------------------------------------------------------------------------------------------------------------------------------------------------------------------------------------------------------------------------------|
| 15 | CFG_RESET | RC | 1h | Device power up status. This bit is reset when microcontroller reads the AFE_STATUS register. 0h = Device reset has been acknowledged and cleared 1h = Device has experienced a hardware reset after a power down or brown-out |
| 14-13 | RESERVED | R | 0h | Reserved |
| 12 | SENS_STAT | RC | 0h | Analog front end sensor diagnostic status 0h = No error detected 1h = Analog front end sensor diagnostic test failed |
| 11 | TEMP_STAT | RC | 0h | Temperature sensor diagnostic status 0h = No error detected 1h = Analog front end temperature sensor diagnostic test failed |
| 10 | ZHS_STAT | RC | 0h | Z-Axis hall sensor diagnostic status 0h = No error detected 1h = Z-Axis hall sensor diagnostic test failed |
| 9 | YHS_STAT | RC | 0h | Y-Axis hall sensor diagnostic status 0h = No error detected 1h = Y-Axis hall sensor diagnostic test failed |
| 8 | XHS_STAT | RC | 0h | X-Axis hall sensor diagnostic status 0h = No error detected 1h = X-Axis hall sensor diagnostic test failed |
| 7-2 | RESERVED | R | 0h | Reserved |
| 1 | TRIM_STAT | RC | 0h | Trim data error 0h = No trim data errors were detected 1h = Trim data error was detected |
| 0 | LDO_STAT | RC | 0h | LDO error 0h = No faults in the internal LDO supplied power were detected 1h = A fault in the internal LDO supplied power was detected |

7.6.1.15 SYS_STATUS Register (Offset = Eh) [Reset = 0h]

SYS_STATUS is shown in [表 7-20](#).

Return to the [Summary Table](#).

表 7-20. SYS_STATUS Register Field Descriptions

| Bit | Field | Type | Reset | Description |
|-----|----------|------|-------|--------------------------------------------------------------------------------------------------------------------------------------------------------------------------------------------------------------------------------------------------------------------------------------------------------------------------------------------------|
| 15 | ALRT_LVL | R | 0h | Reflects the current state of the $\overline{\text{ALERT}}$ pin feed-back path 0h = The input $\overline{\text{ALERT}}$ logic level is low 1h = The input $\overline{\text{ALERT}}$ logic level is high |
| 14 | ALRT_DRV | RC | 0h | Each time the open drain $\overline{\text{ALERT}}$ signal is driven, the feedback circuit checks if the $\overline{\text{ALERT}}$ output goes Low. An error flag is generated at the ALRT_DRV bit if the output doesn't go Low. 0h = No $\overline{\text{ALERT}}$ drive error detected 1h = $\overline{\text{ALERT}}$ drive error detected |

表 7-20. SYS_STATUS Register Field Descriptions (continued)

| Bit | Field | Type | Reset | Description |
|------|----------------|------|-------|-----------------------------------------------------------------------------------------------------------------------------------------------------------------------------------------------------------------------------------------|
| 13 | SDO_DRV | RC | 0h | The Logic value driven output on SDO was not the value of the SDO Pin Feed-back path when SDO is being driven by the device 0h = No SDO drive error detected 1h = SDO drive error detected |
| 12 | CRC_STAT | RC | 0h | Cyclic redundancy check error 0h = No cyclic redundancy check error was detected 1h = Cyclic redundancy check error was detected for a SPI transaction |
| 11 | FRAME_STAT | RC | 0h | Incorrect number of clocks in SPI frame 0h = No frame error was detected 1h = Incorrect number of clocks detected for a SPI transaction |
| 10-8 | OPERATING_STAT | R | 0h | Reports the status of operating mode 0h = Config state 1h = Standby state 2h = Active measure (Continuous Mode) state 3h = Active triggered mode state 4h = DCM active state 5h = DCM Sleep state 6h = Sleep state |
| 7-6 | RESERVED | R | 0h | Reserved |
| 5 | VCC_OV | RC | 0h | VCC over-voltage detection in active or stand-by mode 0h = No over-voltage detected on VCC 1h = VCC was detected to be over-voltage |
| 4 | VCC_UV | RC | 0h | VCC under voltage detection in active or stand-by mode 0h = No under-voltage was detected on VCC 1h = VCC was detected to be under-voltage |
| 3 | TEMP_THX | RC | 0h | Temperature threshold crossing detected 0h = No temperature threshold crossing detected 1h = Temperature threshold crossing detected |
| 2 | ZCH_THX | RC | 0h | Z-Channel threshold crossing detected 0h = No Z-Axis magnetic field threshold crossing detected 1h = Z-Axis magnetic field threshold threshold crossing detected |
| 1 | YCH_THX | RC | 0h | Y-Channel threshold crossing detected 0h = No Y-Axis magnetic field threshold crossing detected 1h = Y-Axis magnetic field threshold crossing detected |
| 0 | XCH_THX | RC | 0h | X-Channel threshold crossing detected 0h = No X-Axis magnetic field threshold crossing detected 1h = X-Axis magnetic field threshold crossing detected |

7.6.1.16 TEST_CONFIG Register (Offset = Fh) [Reset = X]

TEST_CONFIG is shown in 表 7-21.

Return to the [Summary Table](#).

表 7-21. TEST_CONFIG Register Field Descriptions

| Bit | Field | Type | Reset | Description |
|------|----------|------|-------|-----------------------------------------------------------------------------------------------------------------------------------------|
| 15-6 | RESERVED | R | 1h | Reserved |
| 5-4 | VER | R | X | Indicates the version of the device 0h = A1 rev 1h = A2 rev 2h = reserved 3h = reserved |
| 3 | RESERVED | R | 0h | Reserved |
| 2 | CRC_DIS | R/W | 0h | Enable or disable CRC in SPI communication 0h = CRC enabled in SPI communication (Default) 1h = CRC disabled in SPI communication |

表 7-21. TEST_CONFIG Register Field Descriptions (continued)

| Bit | Field | Type | Reset | Description |
|-----|-------------|------|-------|-------------------------------------------------------------------------------------------------------------------------------------------------------------------------------------------------------------------------------------------------------------------------------------------------------------------|
| 1-0 | OSC_CNT_CTL | R/W | 0h | Oscillator count control - starts, stops, and resets the counter driven by the HFOSC or LFOSC oscillator to facilitate oscillator frequency and integrity checks 0h = Reset OSC counter (default) 1h = Start OSC counter driven by HFOSC 2h = Start OSC counter driven by LFOSC 3h = Stop OSC counter |

7.6.1.17 OSC_MONITOR Register (Offset = 10h) [Reset = 0h]

OSC_MONITOR is shown in [表 7-22](#).

Return to the [Summary Table](#).

表 7-22. OSC_MONITOR Register Field Descriptions

| Bit | Field | Type | Reset | Description |
|------|-----------|------|-------|---------------------------------------------------------------------------------------------------------------------------------------------------------------------------------------------------------------------|
| 15-0 | OSC_COUNT | R | 0h | Oscillator Counter. The number of selected oscillator clock cycles that have been counted since Oscillator Counter was started. The HFOSC and LFOSC clock roll-over the 16-bit counter once reaching the max value. |

7.6.1.18 MAG_GAIN_CONFIG Register (Offset = 11h) [Reset = 0h]

MAG_GAIN_CONFIG is shown in [表 7-23](#).

Return to the [Summary Table](#).

表 7-23. MAG_GAIN_CONFIG Register Field Descriptions

| Bit | Field | Type | Reset | Description |
|-------|----------------|------|-------|-----------------------------------------------------------------------------------------------------------------------------------------------------------------------------------------------------------------------------------|
| 15-14 | GAIN_SELECTION | R/W | 0h | Enables the selection of a particular Hall axis for amplitude correction to get accurate angle measurement 0h = No axis is selected (Default) 1h = X-axis is selected 2h = Y-axis is selected 3h = Z-axis is selected |
| 13-11 | RESERVED | R | 0h | Reserved |
| 10-0 | GAIN_VALUE | R/W | 0h | 11-bit gain value determined by controller to adjust the a particular Hall axis value. The gain value is anywhere between 0 and 2. Gain is calculated as 'user entered value/1024'. |

7.6.1.19 MAG_OFFSET_CONFIG Register (Offset = 12h) [Reset = 0h]

MAG_OFFSET_CONFIG is shown in [表 7-24](#).

Return to the [Summary Table](#).

表 7-24. MAG_OFFSET_CONFIG Register Field Descriptions

| Bit | Field | Type | Reset | Description |
|-------|------------------|------|-------|-----------------------------------------------------------------------------------------------------------------------------------------------------------------------------------------------------------------------------------------------------------------------------------------------------------------------------------------------------------------------------------------------------------------------------------------------------------------------------------------------------------------------------------------------------------------------------------------------------------------------------------------------------------------------------------------------------------------------------------------------------------------------------------------------------------------------------------------------------------------|
| 15-14 | OFFSET_SELECTION | R/W | 0h | Enables the selection of a particular Hall axis for offset correction to get accurate angle measurement: 00b = No axis is selected for offset correction (Default). 01b = Only OFFSET_VALUE1 is used for offset correction. Applied to X axis when ANGLE_EN = 01b or 11b, and to Y axis when ANGLE_EN = 10b. No axis is selected if ANGLE_EN = 00b. 10b = Only OFFSET_VALUE2 is used for offset correction. Applied to Y axis when ANGLE_EN = 01b, and to Z axis when ANGLE_EN = 10b or 11b. No axis is selected if ANGLE_EN = 00b. 11b = Both OFFSET_VALUE1 and OFFSET_VALUE2 are used for offset correction. OFFSET_VALUE1 applied to X axis when ANGLE_EN = 01b or 11b, and to Y axis when ANGLE_EN = 10b. OFFSET_VALUE2 applied to Y axis when ANGLE_EN = 01b, and to Z axis when ANGLE_EN = 10b or 11b. No axis is selected if ANGLE_EN = 00b. |
| 13-7 | OFFSET_VALUE1 | R/W | 0h | 7-bit, 2' complement offset value determined by controller to adjust a particular Hall axis value. The range of possible offset valid entries can be +/-64. The offset value is calculated from the user input as the 7 LSB bits of a 11-bit range per SENSOR_CONFIG register setting for the corresponding axis. Default offset value is 0. |
| 6-0 | OFFSET_VALUE2 | R/W | 0h | 7-bit, 2' complement offset value determined by controller to adjust a particular Hall axis value. The range of possible offset valid entries can be +/-64. The offset value is calculated from the user input as the 7 LSB bits of a 11-bit range per SENSOR_CONFIG register setting for the corresponding axis. Default offset value is 0. |

7.6.1.20 ANGLE_RESULT Register (Offset = 13h) [Reset = 0h]

ANGLE_RESULT is shown in [表 7-25](#).

Return to the [Summary Table](#).

表 7-25. ANGLE_RESULT Register Field Descriptions

| Bit | Field | Type | Reset | Description |
|------|--------------|------|-------|---------------------------------------------------------------------------------------------------------------------------------------------------------------------------|
| 15-0 | ANGLE_RESULT | R | 0h | Angle measurement result in degree. The data is displayed from 0 to 360 degree in 13 LSB bits. The 4 LSB bits allocated for fraction of an angle in the format (xxxx/16). |

7.6.1.21 MAGNITUDE_RESULT Register (Offset = 14h) [Reset = 0h]

MAGNITUDE_RESULT is shown in [表 7-26](#).

Return to the [Summary Table](#).

表 7-26. MAGNITUDE_RESULT Register Field Descriptions

| Bit | Field | Type | Reset | Description |
|------|------------------|------|-------|----------------------------------------------------------------------------------------------------------------------------|
| 15-0 | MAGNITUDE_RESULT | R | 0h | Resultant vector magnitude (during angle measurement) result. This value should be constant during 360 degree measurements |

8 Application and Implementation

Note

以下のアプリケーション情報は、TI の製品仕様に含まれるものではなく、TI ではその正確性または完全性を保証いたしません。個々の目的に対する製品の適合性については、お客様の責任で判断していただくこととなります。お客様は自身の設計実装を検証しテストすることで、システムの機能を確認する必要があります。

8.1 Application Information

8.1.1 Selecting the Sensitivity Option

Select the highest TMAG5170 sensitivity option that can measure the required range of magnetic flux density so that the ADC output range is maximized.

Larger-sized magnets and farther sensing distances can generally enable better positional accuracy than very small magnets at close distances, because magnetic flux density increases exponentially with the proximity to a magnet. TI created an online tool to help with simple magnet calculations under the [TMAG5170-Q1 product folder](#) on ti.com.

8.1.2 Temperature Compensation for Magnets

The TMAG5170 temperature compensation is designed to directly compensate the average temperature drift of several magnets as specified in the MAG_TEMP_CO register bits. The residual induction (B_r) of a magnet typically reduces by 0.12%/°C for NdFeB, and 0.20%/°C for ferrite magnets as the temperature increases. Set the MAG_TEMP_CO bit to default 00b if the device temperature compensation is not needed.

8.1.3 Sensor Conversion

Multiple conversion schemes can be adopted based off the MAG_CH_EN, CONV_AVG, DIAG_SEL, and DIAG_EN register bit settings.

8.1.3.1 Continuous Conversion

The TMAG5170 can be set in continuous conversion mode when OPERATING_MODE is set to 010b. [Figure 8-1](#) shows an example of continuous conversion where only X-axis is selected for conversion. The input magnetic field is processed in two steps. In the first step, the device spins the hall sensor elements and integrates the sampled data. In the second step, the ADC block converts the analog signal into digital bits and stores the signal in the corresponding result register. While the ADC starts processing the first magnetic sample, the spin block can start processing the second magnetic sample. In this mode, the maximum sampling rate is determined by the update interval, not by the conversion time.

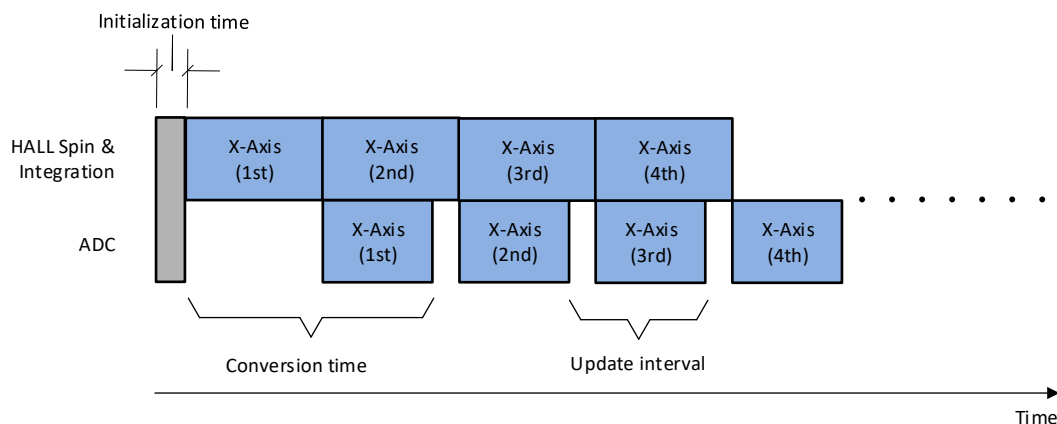


Figure 8-1. Continuous Conversion Selecting X Axis

8.1.3.2 Trigger Conversion

The TMAG5170 supports trigger conversion with OPERATING_MODE set to 00b, 001b, or 011b. During trigger conversion, the initialization time can vary depending on the operating mode as shown in 表 7-3. The trigger event can be initiated through SPI command, ALERT, or CS signal. 图 8-2 shows an example of trigger conversion with X, Y, Z, and temperature sensors activated.

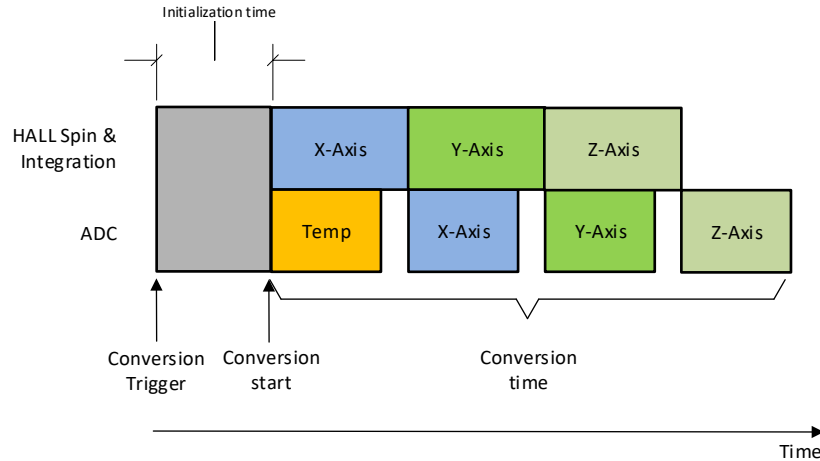


图 8-2. Trigger Conversion for X, Y, Z, and Temperature Sensors

8.1.3.3 Pseudo-Simultaneous Sampling

In absolute angle measurement, application sensor data from multiple axes are required to calculate an accurate angle. The magnetic field data collected at different times through the same signal chain introduces error in angle calculation. The TMAG5170 offers pseudo-simultaneous sampling data collection modes to eliminate this error. 图 8-3 shows an example where MAG_CH_EN is set at 1101b to collect XZX data. 式 14 shows that the time stamps for the X and Z sensor data are the same.

$$t_z = \frac{t_{x1} + t_{x2}}{2} \tag{14}$$

where

- t_{x1} , t_z , t_{x2} are time stamps for X, Z, X sensor data completion as defined in 图 8-3.

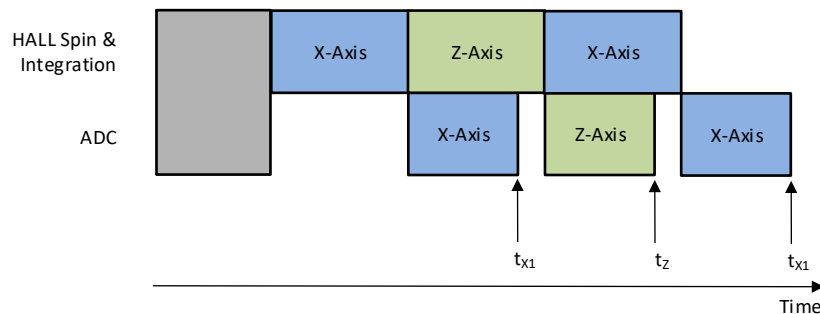


图 8-3. XZX Magnetic Field Conversion

The vertical X, Y sensors of the TMAG5170 exhibit more noise than the horizontal Z sensor. The pseudo-simultaneous sampling can be used to equalize the noise floor when two set of vertical sensor data are collected against one set of horizontal sensor data, as in examples of XZX or YZY modes.

8.1.4 Error Calculation During Linear Measurement

The TMAG5170 offers independent configurations to perform linear position measurements in X, Y, and Z axes. To calculate the expected error during linear measurement, the contributions from each of the individual error sources must be understood. The relevant error sources include sensitivity error, offset, noise, cross axis sensitivity, hysteresis, nonlinearity, drift across temperature, drift across life time, and so forth. For a 3-axis Hall solution like the TMAG5170, the cross-axis sensitivity and hysteresis error sources are insignificant. Use 式 15 to estimate the linear measurement error calculation at room temperature.

$$Error_{LM_25C} = \frac{\sqrt{(B \times SENS_{ER})^2 + B_{off}^2 + N_{RMS_25}^2}}{B} \times 100\% \quad (15)$$

where

- Error_{LM_25C} is total error in % during linear measurement at 25°C.
- B is input magnetic field.
- SENS_{ER} is sensitivity error at 25°C.
- B_{off} is offset error at 25°C.
- N_{RMS_25} is RMS noise at 25°C.

In many applications, system level calibration at room temperature can nullify the offset and sensitivity errors at 25°C. The noise errors can be reduced by further digital averaging the sensor data in a microcontroller. Use 式 15 to estimate the linear measurement error across temperature after calibration at room temperature.

$$Error_{LM_Temp} = \frac{\sqrt{(B \times SENS_{DR})^2 + B_{off_DR}^2 + N_{RMS_Temp}^2}}{B} \times 100\% \quad (16)$$

where

- Error_{LM_Temp} is total error in % during linear measurement across temperature after room temperature calibration.
- B is input magnetic field.
- SENS_{DR} is sensitivity drift from value at 25°C.
- B_{off_DR} is offset drift from value at 25°C.
- N_{RMS_125} is RMS noise across temperature.

If room temperature calibration is not performed, sensitivity and offset errors at room temperature must also account for total error calculation across temperature (see 式 17).

$$Error_{LM_Temp_NCal} = \frac{\sqrt{(B \times SENS_{ER})^2 + (B \times SENS_{DR})^2 + B_{off}^2 + B_{off_DR}^2 + N_{RMS_Temp}^2}}{B} \times 100\% \quad (17)$$

where

- Error_{LM_Temp_NCal} is total error in % during linear measurement across temperature without room temperature calibration.

The table below summarizes linear measurement error estimate for z-axis with magnetic field range of ±50mT and CONV_AVG = 101b:

表 8-1. Total Error Examples During Linear Measurement

| | Input Field 50mT | Input Field 25mT |
|------------------------------------------------------------------|------------------|------------------|
| Error % for z sensor at 25°C without any calibration | 2.6% | 2.8% |
| Error % for z sensor across temperature after 25°C calibration | 3.0% | 3.6% |
| Error % for z sensor across temperature without 25°C calibration | 4.0% | 4.5% |

Note

In this section, error sources such as system mechanical vibration, magnet temperature gradient, nonlinearity, lifetime drift, and so forth, are not considered. The user must take these additional error sources into account while calculating overall system error budgets.

8.1.5 Error Calculation During Angular Measurement

The TMAG5170 offers on-chip CORDIC to measure angle data from any of the two magnetic axes. The linear magnetic axis data can be used to calculate the angle using an external CORDIC as well. To calculate the expected error during angular measurement, the contributions from each individual error source must be understood. The relevant error sources include sensitivity error, offset, noise, axis-axis mismatch, nonlinearity, drift across temperature, drift across life time, and so forth. Use the [Angle Error Calculation Tool](#) to estimate the total error during angular measurement.

表 8-2 offers an example angular error estimate for X-Y plane with magnetic field range of ±100mT, peak X, Y field of ±80mT, and CONV_AVG =101b. The angle error can be improved by calibrating at room and high temperature, using multi-pole magnet, implementing linearization scheme in the controller, and so forth.

表 8-2. Error Estimates During Angle Measurement

| | Angle Error Calculation using Max Magnetic Specification | Expected Angle Error After Offset and Gain Calibrations |
|--------------------------------------------------|----------------------------------------------------------|---------------------------------------------------------|
| Angle error for 360° rotation at 25°C | 1.5° | ~0.5° |
| Angle error for 360° rotation across temperature | 2.1° | ~1.0° |

Note

In this section, system level error sources such as mechanical misalignment, vibration, magnet temperature gradient, lifetime drift, and so forth, are not considered. The user must take these additional error sources into account while calculating overall system error budgets.

8.2 Typical Application

Magnetic angle sensors are very popular due to contactless and reliable measurements, especially in applications requiring long-term measurements in rugged environments. The TMAG5170 offers an on-chip angle calculator that can provide angular measurement based off any two of the magnetic axes. The two axes of interest can be selected in the ANGLE_EN register bits. The device offers an angle output in complete 360 degree scale. Take several error sources into account for angle calculation, including sensitivity error, offset error, linearity error, noise, mechanical vibration, temperature drift, and so forth.

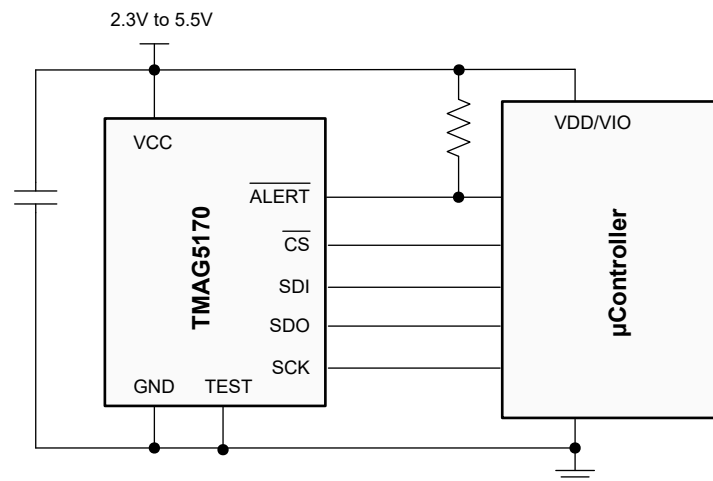


图 8-4. TMAG5170 Application Diagram

8.2.1 Design Requirements

Use the parameters listed in 表 8-3 for this design example

表 8-3. Design Parameters

| DESIGN PARAMETERS | ON-AXIS MEASUREMENT | OFF-AXIS MEASUREMENT |
|--------------------------|------------------------------------------------------------------------------------------------------|------------------------------------------------------------------------------------------------------|
| Device | TMAG5170-A1 | TMAG5170-A1 |
| VCC | 5 V | 5 V |
| Magnet | Cylinder: 4.7625-mm diameter, 12.7-mm thick, neodymium N52, Br = 1480 | Cylinder: 4.7625-mm diameter, 12.7-mm thick, neodymium N52, Br = 1480 |
| Magnetic Range Selection | Select the same range for both axes based off the highest possible magnetic field seen by the sensor | Select the same range for both axes based off the highest possible magnetic field seen by the sensor |
| RPM | <600 | <600 |
| Desired Accuracy | <1° for 360° rotation | <1° for 360° rotation |

8.2.1.1 Gain Adjustment for Angle Measurement

Common measurement topology include angular position measurements in on-axis or off-axis angular measurements shown in 图 8-5. Select the on-axis measurement topology whenever possible, as this offers the best optimization of magnetic field and the device measurement ranges. The TMAG5170 offers an on-chip gain adjustment option to account for mechanical position misalignments.



图 8-5. On-Axis vs. Off-Axis Angle Measurements

8.2.2 Detailed Design Procedure

For accurate angle measurement, the two axes amplitudes must be normalized by selecting the proper gain adjustment value in the MAG_GAN_CONFIG register. The gain adjustment value is a fractional decimal number between 0 and 1. The following steps must be followed to calculate this fractional value:

1. Set the device at 32x average mode and rotate the shaft a full 360 degree.
2. Record the two axes sensor ADC codes for the full 360 degree rotation.
3. Measure the maximum peak-peak ADC code delta for each axis, Ax and Ay, as shown in 图 8-6 or 图 8-7.
4. Calculate the gain adjustment value for X axis:

$$G_X = \frac{A_Y}{A_X} \quad (18)$$

5. If $G_X > 1$, apply the gain adjustment value to Y axis:

$$G_Y = \frac{1}{G_X} \tag{19}$$

6. Calculate the target binary gain setting at the GAIN_VALUE register bits:

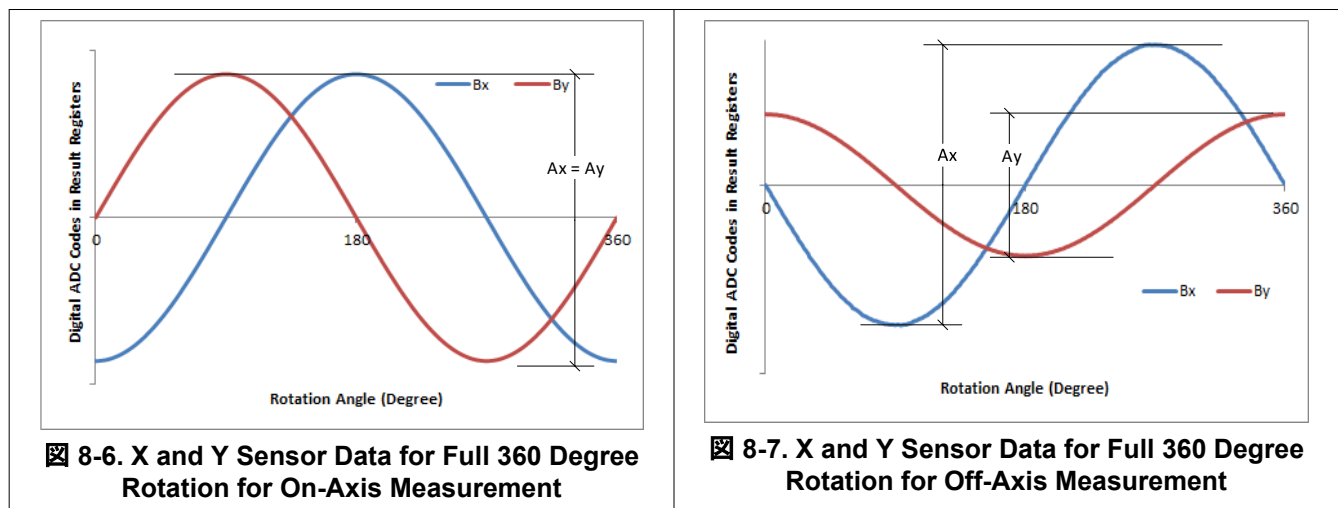
$$G_X \text{ or } G_Y = \text{GAIN_VALUE}_{\text{decimal}} / 1024 \tag{20}$$

Example 1: If $A_X = A_Y = 60,000$, the GAIN_SELECTION register bits can be set as 00b. The GAIN_VALUE register bits are don't care bits in this case.

Example 2: If $A_X = 60,000$, $A_Y = 45,000$, the $G_X = 45,000/60,000 = 0.75$. Select 01b for the GAIN_SELECTION register bits.

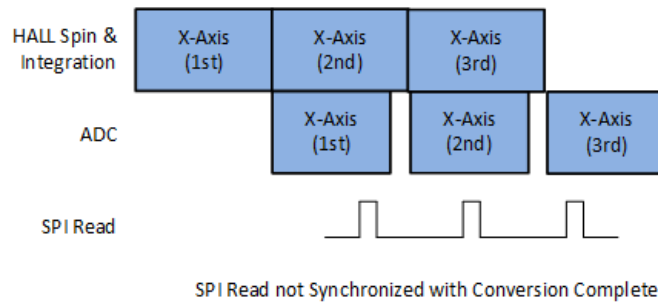
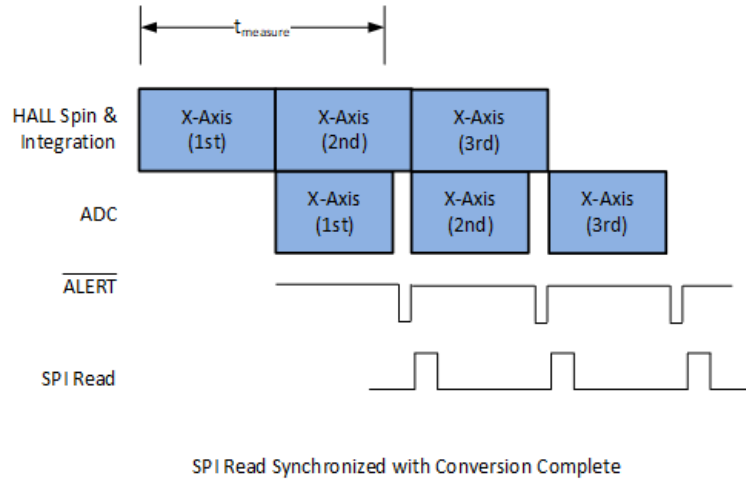
Example 3: If $A_X = 45,000$, $A_Y = 60,000$, the $G_X = (60,000/45,000) = 1.33$. Since $G_X > 1$, the gain adjustment needs to be applied to Y axis with $G_Y = 1/G_X$. Select 10b for the GAIN_SELECTION register bits.

8.2.3 Application Curves



8.3 Do's and Don'ts

The TMAG5170 updates the result registers at the end of a conversion. SPI read of the result register needs to be synchronized with the conversion update time to ensure reading the updated result data. The conversion update time, t_{measure} is defined in the *Electrical Characteristics* table. [8-8](#) shows examples of correct and incorrect SPI read timings for applications with strict timing budgets. Use the $\overline{\text{ALERT}}$ signal to notify the controller when a conversion is complete.



8-8. SPI Read During Continuous Conversion

9 Power Supply Recommendations

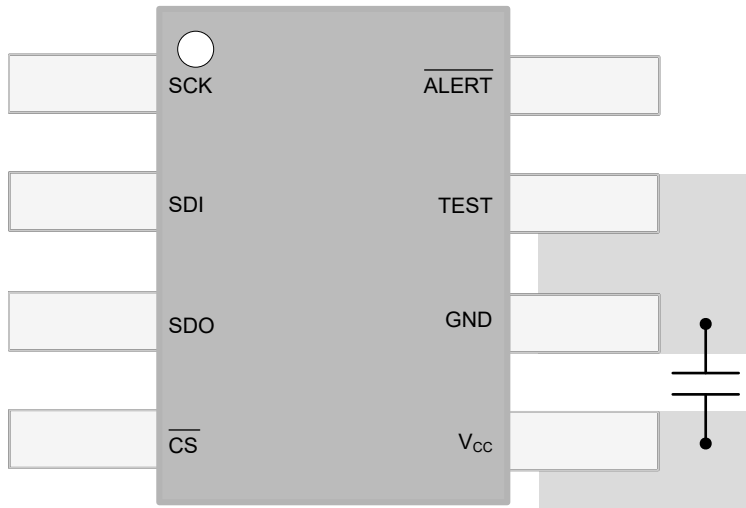
A decoupling capacitor close to the device must be used to provide local energy with minimal inductance. TI recommends using a ceramic capacitor with a value of at least 0.01 μF . Connect the TEST pin to ground.

10 Layout

10.1 Layout Guidelines

Magnetic fields pass through most nonferromagnetic materials with no significant disturbance. Embedding Hall-effect sensors within plastic or aluminum enclosures and sensing magnets on the outside is common practice. Magnetic fields also easily pass through most printed circuit boards (PCBs), which makes placing the magnet on the opposite side of the PCB possible.

10.2 Layout Example



 10-1. Layout Example With TMAG5170

11 Device and Documentation Support

11.1 Receiving Notification of Documentation Updates

To receive notification of documentation updates, navigate to the device product folder on [ti.com](https://www.ti.com). Click on *Subscribe to updates* to register and receive a weekly digest of any product information that has changed. For change details, review the revision history included in any revised document.

11.2 サポート・リソース

[TI E2E™ サポート・フォーラム](#)は、エンジニアが検証済みの回答と設計に関するヒントをエキスパートから迅速かつ直接得ることができる場所です。既存の回答を検索したり、独自の質問をしたりすることで、設計に必要な支援を迅速に得ることができます。

リンクされているコンテンツは、該当する貢献者により、現状のまま提供されるものです。これらは TI の仕様を構成するものではなく、必ずしも TI の見解を反映したものではありません。TI の[使用条件](#)を参照してください。

11.3 Trademarks

TI E2E™ is a trademark of Texas Instruments.

すべての商標は、それぞれの所有者に帰属します。

11.4 Electrostatic Discharge Caution



This integrated circuit can be damaged by ESD. Texas Instruments recommends that all integrated circuits be handled with appropriate precautions. Failure to observe proper handling and installation procedures can cause damage.

ESD damage can range from subtle performance degradation to complete device failure. Precision integrated circuits may be more susceptible to damage because very small parametric changes could cause the device not to meet its published specifications.

11.5 Glossary

[TI Glossary](#) This glossary lists and explains terms, acronyms, and definitions.

12 Mechanical, Packaging, and Orderable Information

The following pages include mechanical, packaging, and orderable information. This information is the most current data available for the designated devices. This data is subject to change without notice and revision of this document. For browser-based versions of this data sheet, refer to the left-hand navigation.

PACKAGING INFORMATION

| Orderable Device | Status (1) | Package Type | Package Drawing | Pins | Package Qty | Eco Plan (2) | Lead finish/ Ball material (6) | MSL Peak Temp (3) | Op Temp (°C) | Device Marking (4/5) | Samples |
|------------------|---------------|--------------|-----------------|------|-------------|-----------------|--------------------------------------|----------------------|--------------|-------------------------|-------------------------|
| TMAG5170A1QDGKR | ACTIVE | VSSOP | DGK | 8 | 2500 | RoHS & Green | SN | Level-2-260C-1 YEAR | -40 to 150 | 70A1 | Samples |
| TMAG5170A2QDGKR | ACTIVE | VSSOP | DGK | 8 | 2500 | RoHS & Green | SN | Level-2-260C-1 YEAR | -40 to 150 | 70A2 | Samples |

(1) The marketing status values are defined as follows:

ACTIVE: Product device recommended for new designs.

LIFEBUY: TI has announced that the device will be discontinued, and a lifetime-buy period is in effect.

NRND: Not recommended for new designs. Device is in production to support existing customers, but TI does not recommend using this part in a new design.

PREVIEW: Device has been announced but is not in production. Samples may or may not be available.

OBSOLETE: TI has discontinued the production of the device.

(2) **RoHS:** TI defines "RoHS" to mean semiconductor products that are compliant with the current EU RoHS requirements for all 10 RoHS substances, including the requirement that RoHS substance do not exceed 0.1% by weight in homogeneous materials. Where designed to be soldered at high temperatures, "RoHS" products are suitable for use in specified lead-free processes. TI may reference these types of products as "Pb-Free".

RoHS Exempt: TI defines "RoHS Exempt" to mean products that contain lead but are compliant with EU RoHS pursuant to a specific EU RoHS exemption.

Green: TI defines "Green" to mean the content of Chlorine (Cl) and Bromine (Br) based flame retardants meet JS709B low halogen requirements of <=1000ppm threshold. Antimony trioxide based flame retardants must also meet the <=1000ppm threshold requirement.

(3) MSL, Peak Temp. - The Moisture Sensitivity Level rating according to the JEDEC industry standard classifications, and peak solder temperature.

(4) There may be additional marking, which relates to the logo, the lot trace code information, or the environmental category on the device.

(5) Multiple Device Markings will be inside parentheses. Only one Device Marking contained in parentheses and separated by a "~" will appear on a device. If a line is indented then it is a continuation of the previous line and the two combined represent the entire Device Marking for that device.

(6) Lead finish/Ball material - Orderable Devices may have multiple material finish options. Finish options are separated by a vertical ruled line. Lead finish/Ball material values may wrap to two lines if the finish value exceeds the maximum column width.

Important Information and Disclaimer:The information provided on this page represents TI's knowledge and belief as of the date that it is provided. TI bases its knowledge and belief on information provided by third parties, and makes no representation or warranty as to the accuracy of such information. Efforts are underway to better integrate information from third parties. TI has taken and continues to take reasonable steps to provide representative and accurate information but may not have conducted destructive testing or chemical analysis on incoming materials and chemicals. TI and TI suppliers consider certain information to be proprietary, and thus CAS numbers and other limited information may not be available for release.

In no event shall TI's liability arising out of such information exceed the total purchase price of the TI part(s) at issue in this document sold by TI to Customer on an annual basis.

OTHER QUALIFIED VERSIONS OF TMAG5170 :

- Automotive : [TMAG5170-Q1](#)

NOTE: Qualified Version Definitions:

- Automotive - Q100 devices qualified for high-reliability automotive applications targeting zero defects

DGK0008A



PACKAGE OUTLINE

VSSOP - 1.1 mm max height

SMALL OUTLINE PACKAGE



NOTES:

PowerPAD is a trademark of Texas Instruments.

1. All linear dimensions are in millimeters. Any dimensions in parenthesis are for reference only. Dimensioning and tolerancing per ASME Y14.5M.
2. This drawing is subject to change without notice.
3. This dimension does not include mold flash, protrusions, or gate burrs. Mold flash, protrusions, or gate burrs shall not exceed 0.15 mm per side.
4. This dimension does not include interlead flash. Interlead flash shall not exceed 0.25 mm per side.
5. Reference JEDEC registration MO-187.

EXAMPLE BOARD LAYOUT

DGK0008A

™ VSSOP - 1.1 mm max height

SMALL OUTLINE PACKAGE



LAND PATTERN EXAMPLE
EXPOSED METAL SHOWN
SCALE: 15X



SOLDER MASK DETAILS

4214862/A 04/2023

NOTES: (continued)

6. Publication IPC-7351 may have alternate designs.
7. Solder mask tolerances between and around signal pads can vary based on board fabrication site.
8. Vias are optional depending on application, refer to device data sheet. If any vias are implemented, refer to their locations shown on this view. It is recommended that vias under paste be filled, plugged or tented.
9. Size of metal pad may vary due to creepage requirement.

EXAMPLE STENCIL DESIGN

DGK0008A

TM VSSOP - 1.1 mm max height

SMALL OUTLINE PACKAGE



SOLDER PASTE EXAMPLE
SCALE: 15X

4214862/A 04/2023

NOTES: (continued)

11. Laser cutting apertures with trapezoidal walls and rounded corners may offer better paste release. IPC-7525 may have alternate design recommendations.
12. Board assembly site may have different recommendations for stencil design.

重要なお知らせと免責事項

TI は、技術データと信頼性データ（データシートを含みます）、設計リソース（リファレンス・デザインを含みます）、アプリケーションや設計に関する各種アドバイス、Web ツール、安全性情報、その他のリソースを、欠陥が存在する可能性のある「現状のまま」提供しており、商品性および特定目的に対する適合性の黙示保証、第三者の知的財産権の非侵害保証を含むいかなる保証も、明示的または黙示的にかかわらず拒否します。

これらのリソースは、TI 製品を使用する設計の経験を積んだ開発者への提供を意図したものです。(1) お客様のアプリケーションに適した TI 製品の選定、(2) お客様のアプリケーションの設計、検証、試験、(3) お客様のアプリケーションに該当する各種規格や、その他のあらゆる安全性、セキュリティ、規制、または他の要件への確実な適合に関する責任を、お客様のみが単独で負うものとし、

上記の各種リソースは、予告なく変更される可能性があります。これらのリソースは、リソースで説明されている TI 製品を使用するアプリケーションの開発の目的でのみ、TI はその使用をお客様に許諾します。これらのリソースに関して、他の目的で複製することや掲載することは禁止されています。TI や第三者の知的財産権のライセンスが付与されている訳ではありません。お客様は、これらのリソースを自身で使用した結果発生するあらゆる申し立て、損害、費用、損失、責任について、TI およびその代理人を完全に補償するものとし、TI は一切の責任を拒否します。

TI の製品は、[TI の販売条件](#)、または [ti.com](#) やかかる TI 製品の関連資料などのいずれかを通じて提供する適用可能な条項の下で提供されています。TI がこれらのリソースを提供することは、適用される TI の保証または他の保証の放棄の拡大や変更を意味するものではありません。

お客様がいかなる追加条項または代替条項を提案した場合でも、TI はそれらに異議を唱え、拒否します。

郵送先住所：Texas Instruments, Post Office Box 655303, Dallas, Texas 75265
Copyright © 2024, Texas Instruments Incorporated