

# TMP103 低消費電力デジタル温度センサ、2線式インターフェイス付き、WCSPパッケージ

## 1 特長

- 複数デバイスへのアクセス(MDA)
  - グローバルな読み取り/書き込み操作
- I<sup>2</sup>C™および SMBus™互換のインターフェイス
- 分解能: 8ビット
- 精度: ±1°C (標準値、-10°C~100°C)
- 低い静止電流
  - 0.25HzでアクティブI<sub>Q</sub> 3μA
  - シャットダウン時1μA
- 電源電圧範囲: 1.4V~3.6V
- デジタル出力
- 4ボールのWCSP (DSBGA)パッケージ

## 2 アプリケーション

- 携帯電話
- ノートブックPC
- SSD
- サーバー
- 通信機器
- セット・トップ・ボックス
- 低消費電力環境
- センサ

## 3 概要

TMP103は、4ボールのウェハ・チップスケール・パッケージ(WCSP)に搭載したデジタル出力温度センサです。TMP103は、1°Cの分解能で温度を読み取ることができます。

TMP103は2線式のインターフェイスを備えており、I<sup>2</sup>CとSMBusの両方のインターフェイスと互換性があります。さらに、このインターフェイスは複数デバイス・アクセス(MDA)コマンドをサポートしているため、マスタがバス上で複数のデバイスと同時に通信でき、バス上の各TMP103へ個別にコマンドを送信する必要はありません。

最大8個のTMP103を互いに並列接続し、ホストから簡単に読み出すことができます。TMP103デバイスは、複数の温度測定域を監視する必要があるアプリケーションで、スペースに制約があり、消費電力の条件が厳しい場合に特に適しています。

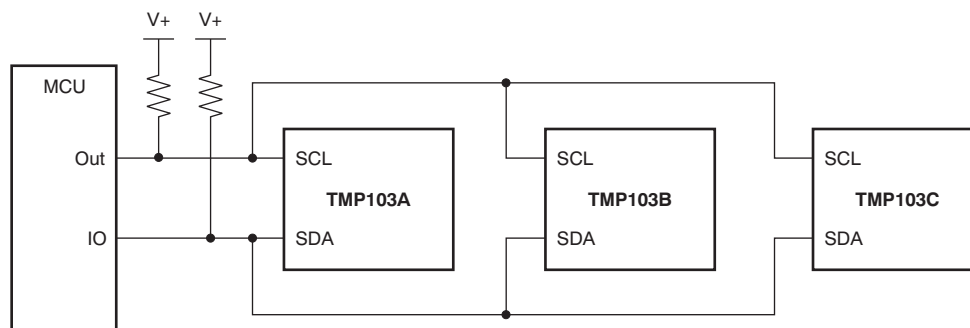
TMP103は、-40°C~125°Cの温度範囲で動作が規定されています。

### 製品情報<sup>(1)</sup>

型番	パッケージ	本体サイズ(公称)
TMP103	DSBGA (4)	0.76mmx0.76mm

(1) 提供されているすべてのパッケージについては、巻末の注文情報を参照してください。

### 代表的なアプリケーションの図



## 目次

1	特長	1	7.4	Device Functional Modes	11
2	アプリケーション	1	7.5	Programming	11
3	概要	1	7.6	Register Maps	16
4	改訂履歴	2	<b>8</b>	<b>Application and Implementation</b>	<b>19</b>
<b>5</b>	<b>Pin Configuration and Functions</b>	<b>3</b>	8.1	Application Information	19
<b>6</b>	<b>Specifications</b>	<b>3</b>	8.2	Typical Application	19
6.1	Absolute Maximum Ratings	3	<b>9</b>	<b>Power Supply Recommendations</b>	<b>21</b>
6.2	ESD Ratings	3	<b>10</b>	<b>Layout</b>	<b>21</b>
6.3	Recommended Operating Conditions	3	10.1	Layout Guidelines	21
6.4	Thermal Information	4	10.2	Layout Example	21
6.5	Electrical Characteristics	4	<b>11</b>	<b>デバイスおよびドキュメントのサポート</b>	<b>22</b>
6.6	Timing Requirements	5	11.1	ドキュメントの更新通知を受け取る方法	22
6.7	Typical Characteristics	9	11.2	コミュニティ・リソース	22
<b>7</b>	<b>Detailed Description</b>	<b>10</b>	11.3	商標	22
7.1	Overview	10	11.4	静電気放電に関する注意事項	22
7.2	Functional Block Diagram	10	11.5	Glossary	22
7.3	Feature Description	11	<b>12</b>	<b>メカニカル、パッケージ、および注文情報</b>	<b>22</b>

## 4 改訂履歴

資料番号末尾の英字は改訂を表しています。その改訂履歴は英語版に準じています。

Revision C (October 2018) から Revision D に変更	Page
<ul style="list-style-type: none"> <li>Changed input voltage maximum value in the Absolute Maximum Ratings table from: <math>(V^+) + 0.5</math>) and <math>\leq 4</math> to <math>(V^+) + 0.3</math>) and <math>\leq 4</math> .....</li> </ul>	3

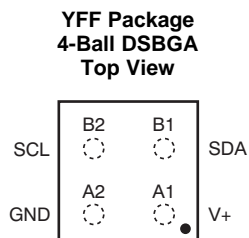
  

Revision A (March 2011) から Revision B に変更	Page
<ul style="list-style-type: none"> <li>「ESD定格」表、「機能説明」セクション、「デバイスの機能モード」セクション、「アプリケーションと実装」セクション、「電源に関する推奨事項」セクション、「レイアウト」セクション、「デバイスおよびドキュメントのサポート」セクション、「メカニカル、パッケージ、および注文情報」セクション 追加 .....</li> <li>「アプリケーション」セクションにSSD、サーバー、通信機器、セット・トップ・ボックス、低消費電力環境、センサを 追加 .....</li> </ul>	1

2011年2月発行のものから更新	Page
<ul style="list-style-type: none"> <li>「製品情報」表で、パッケージ略称をWCSP-4からDSBGA-4に変更 .....</li> </ul>	1

## 5 Pin Configuration and Functions



### Pin Functions

PIN		I/O	DESCRIPTION
NO.	NAME		
A1	V <sup>+</sup>	I	Supply voltage
A2	GND	I	Ground
B1	SDA	I/O	Input/output data pin
B2	SCL	I	Input clock pin

## 6 Specifications

### 6.1 Absolute Maximum Ratings

over operating free-air temperature range (unless otherwise noted)<sup>(1)</sup>

		MIN	MAX	UNIT
V <sup>+</sup>	Supply voltage		4	V
	Voltage at SCL and SDA	-0.3	((V <sup>+</sup> + 0.3) and ≤ 4	V
	Operating temperature	-55	150	°C
T <sub>J</sub>	Junction temperature		150	°C
T <sub>stg</sub>	Storage temperature	-60	150	°C

(1) Stresses beyond those listed under *Absolute Maximum Ratings* may cause permanent damage to the device. These are stress ratings only, which do not imply functional operation of the device at these or any other conditions beyond those indicated under *Recommended Operating Conditions*. Exposure to absolute-maximum-rated conditions for extended periods may affect device reliability.

### 6.2 ESD Ratings

		VALUE	UNIT
V <sub>(ESD)</sub>	Electrostatic discharge	Human body model (HBM), per ANSI/ESDA/JEDEC JS-001, all pins <sup>(1)</sup>	±2000
		Charged device model (CDM), per JEDEC specification JESD22-C101, all pins <sup>(2)</sup>	±1000
		Machine model (MM)	±200

(1) JEDEC document JEP155 states that 500-V HBM allows safe manufacturing with a standard ESD control process.

(2) JEDEC document JEP157 states that 250-V CDM allows safe manufacturing with a standard ESD control process.

### 6.3 Recommended Operating Conditions

over operating free-air temperature range (unless otherwise noted)

		MIN	MAX	UNIT
V <sup>+</sup>	Supply voltage	1.4	3.6	V
T <sub>A</sub>	Operating free-air temperature	-40	125	°C

## 6.4 Thermal Information

THERMAL METRIC <sup>(1)</sup>		TMP103	
		YFF (DSBGA)	UNIT
		4 BALLS	
$R_{\theta JA}$	Junction-to-ambient thermal resistance	160	°C/W
$R_{\theta JC(top)}$	Junction-to-case (top) thermal resistance	75	°C/W
$R_{\theta JB}$	Junction-to-board thermal resistance	76	°C/W
$\psi_{JT}$	Junction-to-top characterization parameter	3	°C/W
$\psi_{JB}$	Junction-to-board characterization parameter	74	°C/W

(1) For more information about traditional and new thermal metrics, see the [Semiconductor and IC Package Thermal Metrics](#) application report.

## 6.5 Electrical Characteristics

at  $T_A = 25^\circ\text{C}$  and  $V^+ = 1.4\text{ V}$  to  $3.6\text{ V}$  (unless otherwise noted)

PARAMETER	TEST CONDITIONS	MIN	TYP	MAX	UNIT
<b>TEMPERATURE INPUT</b>					
Range		-40		125	°C
Accuracy (temperature error)	-10°C to 100°C, $V^+ = 1.8\text{ V}$	-2	0	2	°C
	-40°C to 125°C, $V^+ = 1.8\text{ V}$ vs supply	-3	±1	3	
Resolution		-0.5	±0.2	0.5	°C/V
			1		°C
<b>DIGITAL INPUT/OUTPUT</b>					
$V_{IH}$ — Input logic levels		0.7 ( $V^+$ )		$V^+$	V
$V_{IL}$		-0.5		0.3 ( $V^+$ )	
$I_{IN}$ Input current	$0 < V_{IN} < (V^+) + 0.3\text{ V}$			1	µA
$V_{OL}$ SDA Output logic levels	$V^+ > 2\text{ V}$ , $I_{OL} = 2\text{ mA}$	0		0.4	V
	$V^+ < 2\text{ V}$ , $I_{OL} = 2\text{ mA}$	0		0.2 ( $V^+$ )	
Resolution			8		Bit
Conversion time			26	35	ms
Conversion modes	CR1 = 0, CR0 = 0 (default)		0.25		Conv/s
	CR1 = 0, CR0 = 1		1		
	CR1 = 1, CR0 = 0		4		
	CR1 = 1, CR0 = 1		8		
Timeout time			30	40	ms
<b>POWER SUPPLY</b>					
Operating supply range		1.4		3.6	V
$I_Q$ Quiescent current	Serial bus inactive, CR1 = 0, CR0 = 0 (default), $V^+ = 1.8\text{ V}$		1.5	3	µA
	Serial bus active, SCL frequency = 400 kHz		15		
	Serial bus active, SCL frequency = 3.4 MHz		85		
$I_{SD}$ Shutdown current	Serial bus inactive, $V^+ = 1.8\text{ V}$		0.5	1	µA
	Serial bus active, SCL frequency = 400 kHz		10		
	Serial bus active, SCL frequency = 3.4 MHz		80		
<b>TEMPERATURE</b>					
Specified range		-40		125	°C
Operating range		-55		150	°C

## 6.6 Timing Requirements

See <sup>(1)</sup>

		FAST MODE		HIGH-SPEED MODE		UNIT
		MIN	MAX	MIN	MAX	
$f_{(SCL)}$	SCL operating frequency, $V_S > 1.7\text{ V}$	0.001	0.4	0.001	3.4	MHz
$f_{(SCL)}$	SCL operating frequency, $V_S < 1.7\text{ V}$	0.001	0.4	0.001	2.75	MHz
$t_{(BUF)}$	Bus free time between STOP and START condition	600		160		ns
$t_{(HDSTA)}$	Hold time after repeated START condition. After this period, the first clock is generated.	100		100		ns
$t_{(SUSTA)}$	Repeated START condition setup time	100		100		ns
$t_{(SUSTO)}$	STOP condition setup Time	100		100		ns
$t_{(HDDAT)}$	Data hold time	20	400	10	125	ns
$t_{(SUDAT)}$	Data setup time	100		10		ns
$t_{(LOW)}$	SCL clock low period, $V_S > 1.7\text{ V}$	1300		160		ns
$t_{(LOW)}$	SCL clock low period, $V_S < 1.7\text{ V}$	1300		200		ns
$t_{(HIGH)}$	SCL clock high period	600		60		ns
$t_F$	Clock/data fall time		300			ns
$t_R$	Clock/data rise time		300		160	ns
$t_R$	Clock/data rise time for $SCLK \leq 100\text{ kHz}$		1000			ns

(1) Values based on a statistical analysis of a one-time sample of devices. Minimum and maximum values are not guaranteed and not production tested.

The TMP103 is two-wire and SMBus compatible. [Figure 1](#) to [Figure 5](#) describe the various operations on the TMP103. Parameters for [Figure 1](#) are defined in [Timing Requirements](#). Bus definitions are:

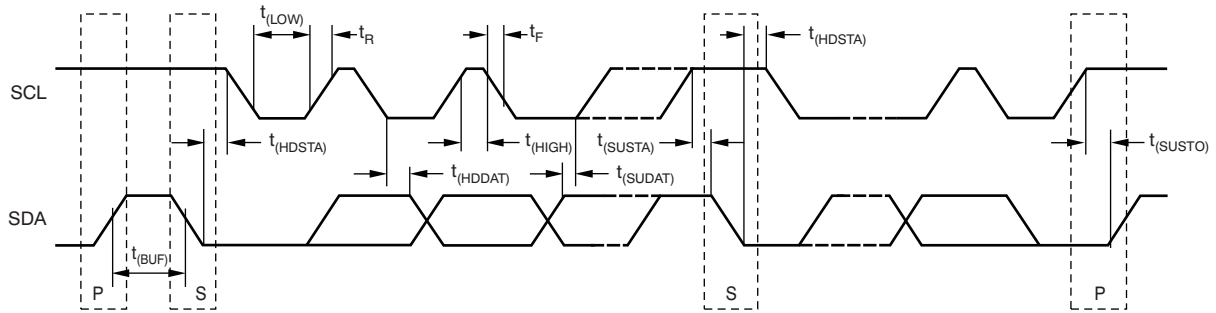
**Bus Idle:** Both SDA and SCL lines remain high.

**Start Data Transfer:** A change in the state of the SDA line, from high to low, while the SCL line is high, defines a START condition. Each data transfer is initiated with a START condition.

**Stop Data Transfer:** A change in the state of the SDA line from low to high while the SCL line is high defines a STOP condition. Each data transfer is terminated with a repeated START or STOP condition.

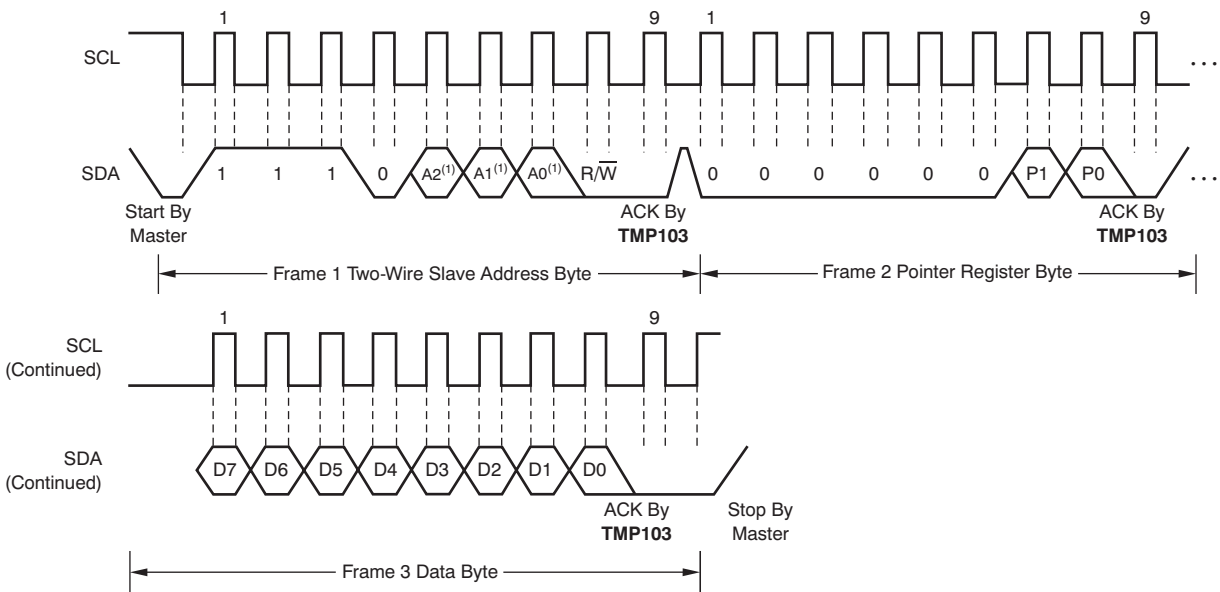
**Data Transfer:** The number of data bytes transferred between a START and a STOP condition is not limited and is determined by the master device.

**Acknowledge:** Each receiving device, when addressed, is obliged to generate an Acknowledge bit. A device that acknowledges must pull down the SDA line during the Acknowledge clock pulse in such a way that the SDA line is stable low during the high period of the Acknowledge clock pulse. Setup and hold times must be taken into account. On a master receive, the termination of the data transfer can be signaled by the master generating a *Not-Acknowledge* (1) on the last byte transmitted by the slave.



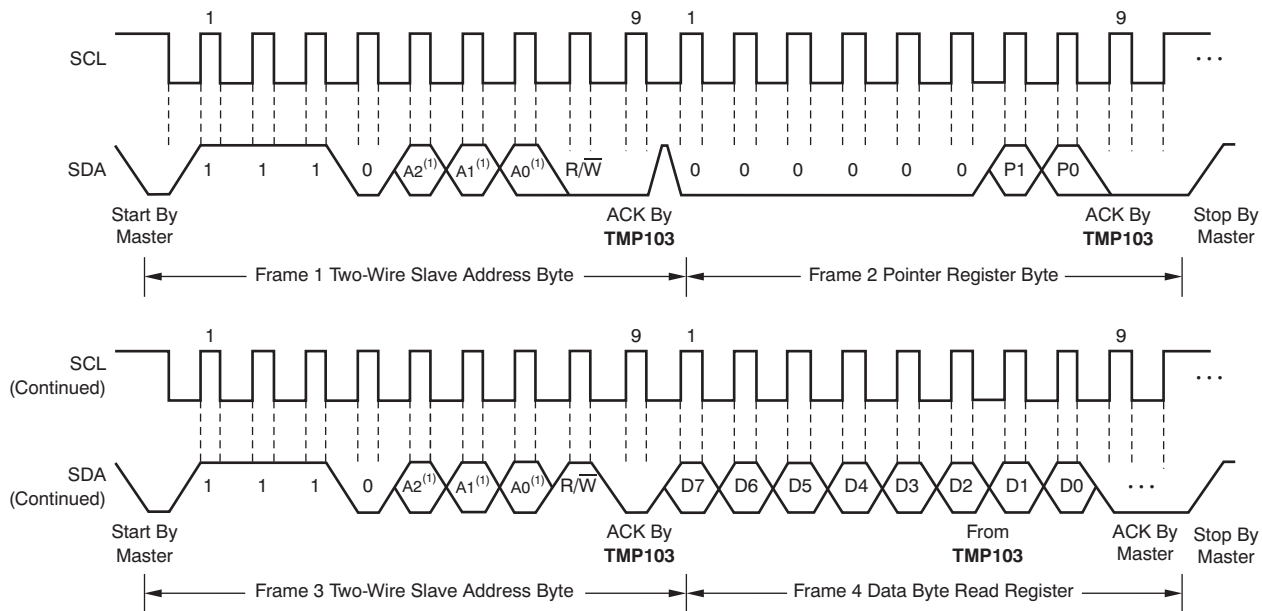
NOTE: P = STOP, S = START.

Figure 1. Two-Wire Timing Diagram



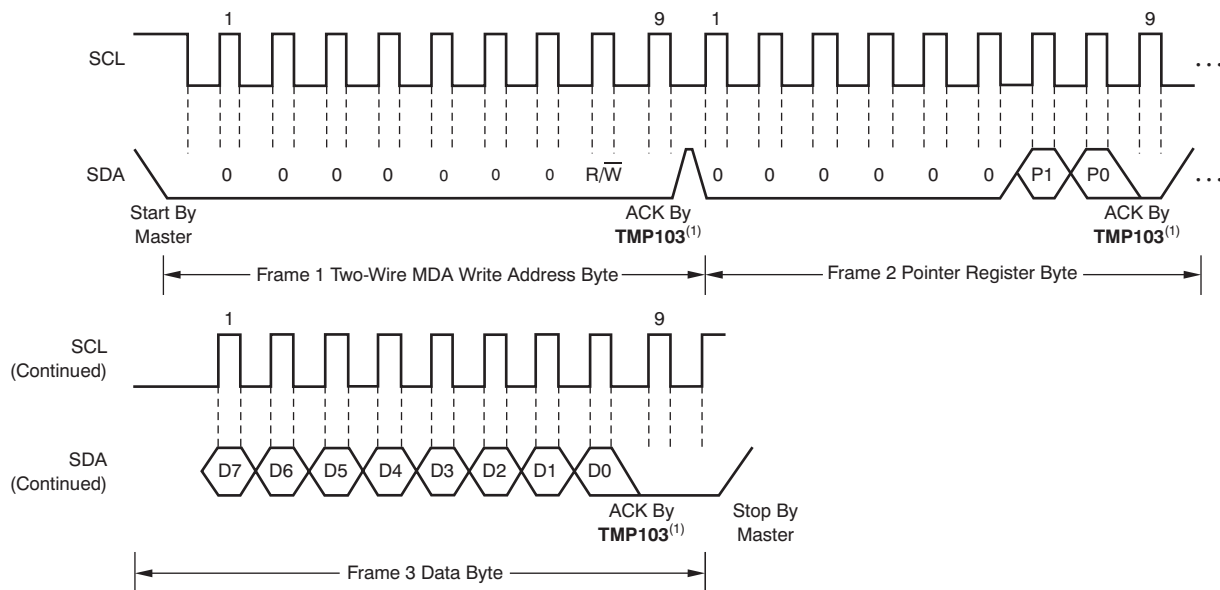
(1) The value of  $A_0$ ,  $A_1$ , and  $A_2$  are determined by the TMP103 version; see Table 2.

Figure 2. Two-Wire Timing Diagram for Write Word Format



(1) The value of A0, A1, and A2 are determined by the TMP103 version; see Table 2.

Figure 3. Two-Wire Timing Diagram for Read Word Format



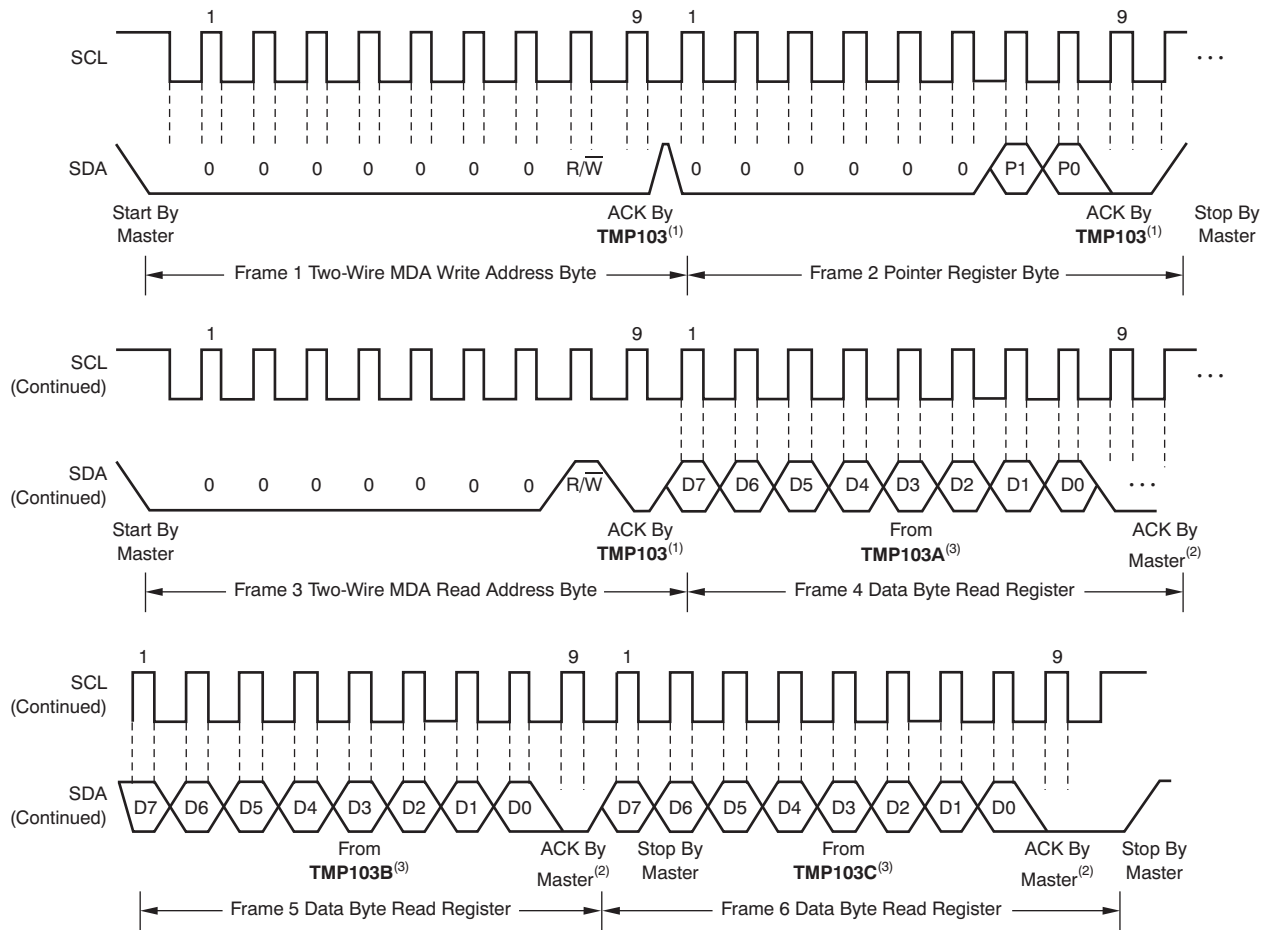
(1) All TMP103 devices on the bus acknowledge the byte.

Figure 4. Two-Wire Timing Diagram MDA Write Word Format

TMP103

JAJSGC5D – FEBRUARY 2011 – REVISED DECEMBER 2018

www.ti.com



- (1) All TMP103 devices on the bus acknowledge the byte.
- (2) The master must issue an acknowledge for each byte read to read all of the TMP103 devices on the bus.
- (3) Three TMP103 devices used in this case; up to eight devices can be used (see Table 2).

Figure 5. Two-Wire Timing Diagram MDA Read Word Format Using Figure 16 (Typical Application)



### 6.7 Typical Characteristics

At  $T_A = 25^\circ\text{C}$  and  $V^+ = 1.8\text{ V}$ , unless otherwise noted.

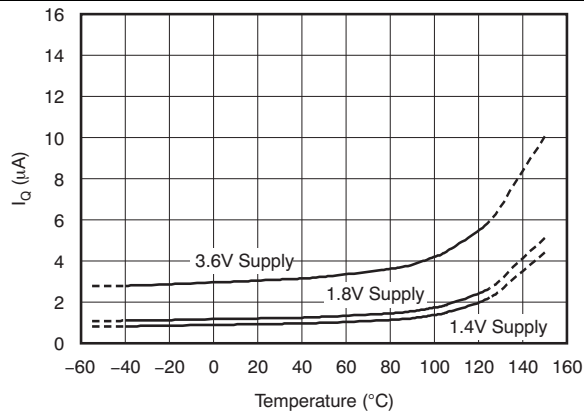


Figure 6. Quiescent Current vs Temperature (0.25 Conversions Per Second)

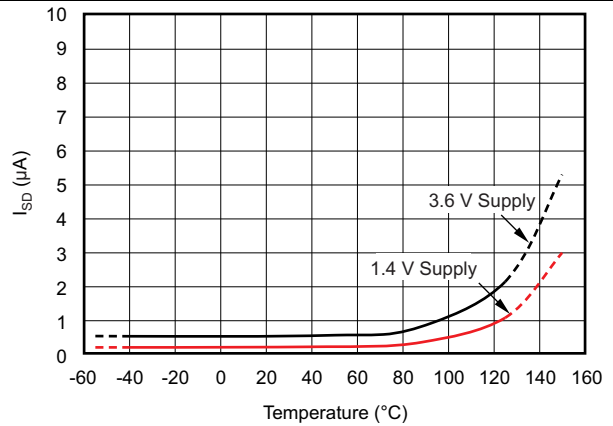


Figure 7. Shutdown Current vs Temperature

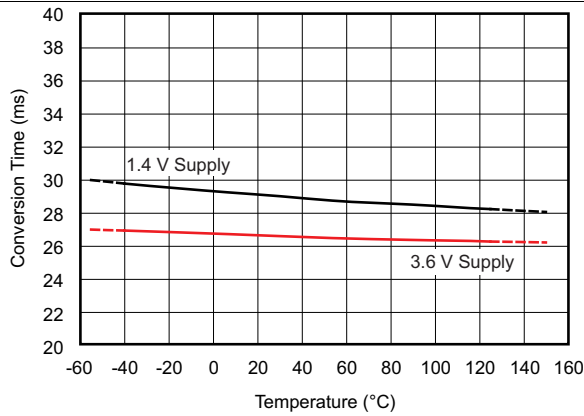


Figure 8. Conversion Time vs Temperature

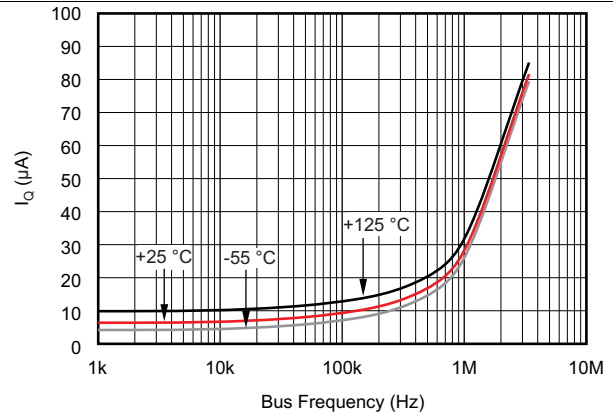


Figure 9. Quiescent Current vs Bus Frequency (Temperature at 3.3-V Supply)

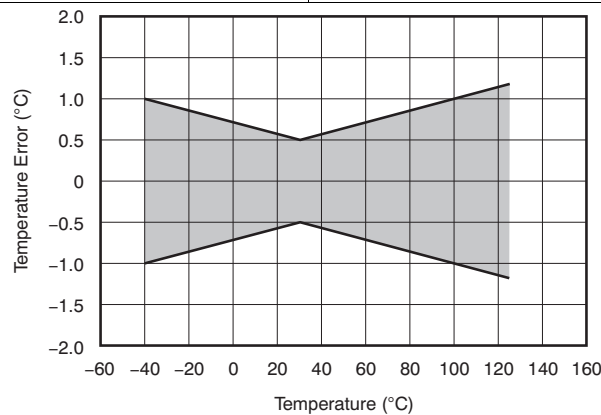


Figure 10. Temperature Error vs Temperature

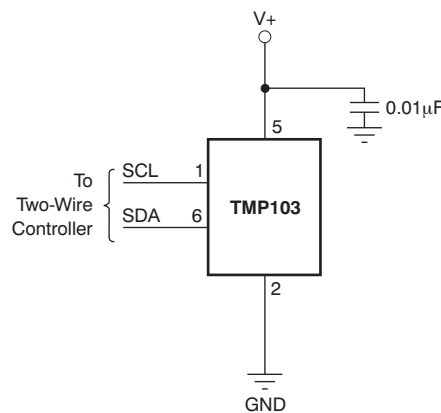
## 7 Detailed Description

### 7.1 Overview

The TMP103 is a digital output temperature sensor in a wafer chip-scale package (WCSP) that is optimal for thermal management and thermal profiling. The TMP103 includes a two-wire interface that is compatible with both I<sup>2</sup>C and SMBus interfaces. In addition, the TMP103 has the capability of executing multiple device access (MDA) commands that allow multiple TMP103 devices to respond to a single global bus command. MDA commands reduce communication time and power in a bus that contains multiple TMP103 devices. The TMP103 is specified over a temperature range of –40°C to 125°C.

The TMP103 serial interface is designed to support up to eight TMP103 devices on a single bus. The TMP103 is offered with eight internal interface addresses. Each unique address option can be used as a location or temperature zone designator. The TMP103 responds to standard I<sup>2</sup>C and SMBus slave protocols that allow the internal registers to be written to or read from on an individual basis. The TMP103 also responds to MDA commands that allow all the devices on the bus to be written to or read from, without having to send the individual address and commands to each device.

Pullup resistors are required on SCL and SDA. TI also recommends a 0.01-μF bypass capacitor, as shown in Figure 11.



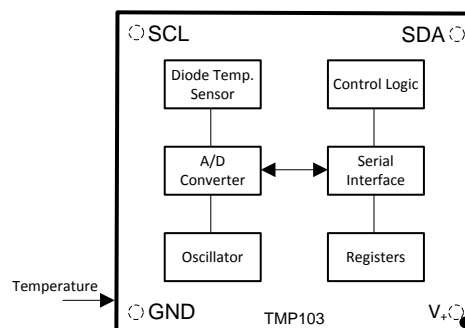
NOTE: SCL and SDA pins require pullup resistors.

Figure 11. Typical Connections

The temperature sensor in the TMP103 is the chip itself. Thermal paths run through the package bumps as well as the package. The lower thermal resistance of metal causes the bumps to provide the primary thermal path.

To maintain accuracy in applications that require air or surface temperature measurement, take care to isolate the package from ambient air temperature.

### 7.2 Functional Block Diagram



## 7.3 Feature Description

The TMP103 is a 1°C resolution digital output temperature sensor offered in a four-ball wafer chip-scale package (WCSP). The TMP103 features a two-wire interface that is compatible with both I<sup>2</sup>C and SMBus interfaces.

The serial interface supports multiple device access (MDA) commands that allow the master to communicate with multiple devices on the bus simultaneously, eliminating the need to send individual commands to each TMP103 device on the bus. Up to eight TMP103 devices can be tied together in parallel and easily read by the host.

The TMP103 is an ideal choice for space-constrained and power-sensitive applications with multiple temperature measurement zones to be monitored.

## 7.4 Device Functional Modes

### 7.4.1 Shutdown Mode

Shutdown mode saves maximum power by shutting down all device circuitry other than the serial interface, reducing current consumption to typically less than 0.5  $\mu$ A. For details on how to enter shutdown mode, see [Shutdown Mode \( \$M1 = 0, M0 = 0\$ \)](#) in [Programming](#).

### 7.4.2 One-Shot Mode

The TMP103 features a One-Shot Temperature Measurement mode. When the device is in Shutdown mode, the device can be instructed to complete a one-time temperature measurement before returning to the shutdown state. This feature is useful for reducing power consumption in the TMP103 when continuous temperature monitoring is not required.

As a result of the short conversion time, the TMP103 can achieve a higher conversion rate. A single conversion typically takes 26 ms and a read can take place in less than 20  $\mu$ s. When using One-Shot mode, 30 or more conversions per second are possible.

For details on how to enter One-Shot mode, see [One-Shot \( \$M1 = 0, M0 = 1\$ \)](#) in [Programming](#).

### 7.4.3 Continuous Conversion Mode

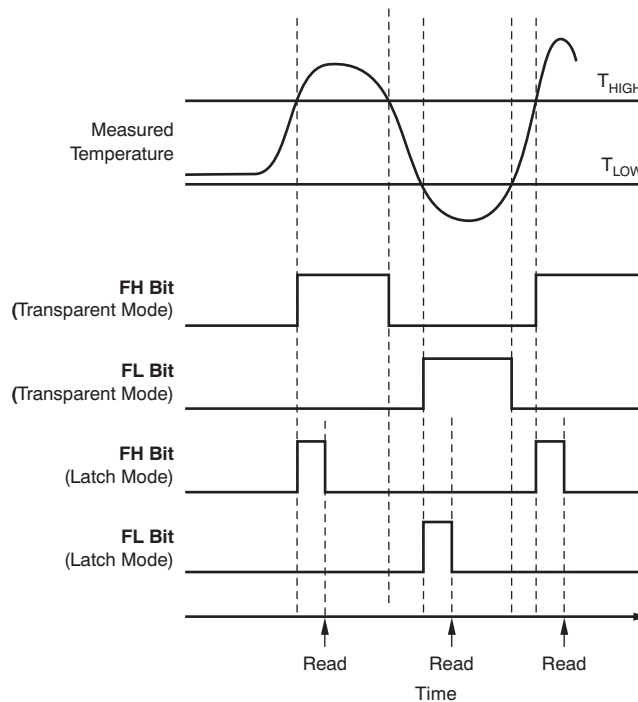
In Continuous Conversion mode, the TMP103 performs temperature conversion at a rate determined by the conversion rate bits (CR1 and CR0) set in the configuration register. Because the actual temperature conversion takes only 26 mS, the TMP103 powers down in between conversions and waits for the appropriate delay. For details on how to enter One-Shot mode, see [Continuous Conversion Mode \( \$M1 = 1\$ \)](#) and [Conversion Rate](#) in [Programming](#).

## 7.5 Programming

### 7.5.1 Temperature Watchdog Function

The TMP103 contains a watchdog function that monitors device temperature and compares the result to the values stored in the temperature limit registers ( $T_{HIGH}$  and  $T_{LOW}$ ) to determine if the device temperature is within these set limits. If the temperature of the TMP103 becomes greater than the value in the  $T_{HIGH}$  register, then the flag-high bit (FH) in the configuration register is set to 1. If the temperature falls below the value in the  $T_{LOW}$  register, then the flag-low bit (FL) is set to 1. If both flag bits remain 0, then the temperature is within the temperature *window* set by the temperature limit registers, as shown in [Figure 12](#).

**Programming (continued)**



**Figure 12. Temperature Flag Functional Diagram**

The latch bit (LC) in the configuration register is used to latch the value of the flag bits (FH and FL) until the master issues a read command to the configuration register. The flag bits are set to 0 if a read command is received by the TMP103, or if LC = 0 and the temperature is within the temperature limits. The power-on default values for these bits are FH = 0, FL = 0, and LC = 0.

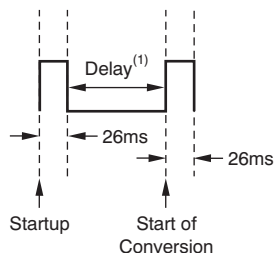
**7.5.2 Conversion Rate**

The conversion rate bits, CR1 and CR0 located in the Configuration Register, configure the TMP103 for conversion rates of 8 Hz, 4 Hz, 1 Hz, or 0.25 Hz (default). The TMP103 has a typical conversion time of 26 ms. To achieve different conversion rates, the TMP103 performs a single conversion and then powers down and waits for the appropriate delay set by CR1 and CR0. [Table 1](#) lists the settings for CR1 and CR0.

**Table 1. Conversion Rate Settings**

CR1	CR0	CONVERSION RATE
0	0	0.25 Hz (default)
0	1	1 Hz
1	0	4 Hz
1	1	8 Hz

After power up or general-call reset, the TMP103 immediately starts a conversion, as shown in Figure 13. The first result is available after 26 ms (typical). The active quiescent current during conversion is 40  $\mu$ A (typical at 27°C,  $V^+ = 1.8$  V). The quiescent current during delay is 1  $\mu$ A (typical at 27°C,  $V^+ = 1.8$  V).



(1) Delay is set by CR1 and CR0.

**Figure 13. Conversion Start**

### 7.5.3 Shutdown Mode (M1 = 0, M0 = 0)

Shutdown mode saves maximum power by shutting down all device circuitry other than the serial interface, reducing current consumption to typically less than 0.5  $\mu$ A. Shutdown mode is enabled when bits M1 and M0 (in the Configuration Register) = 00. The device shuts down when the current conversion is completed.

### 7.5.4 One-Shot (M1 = 0, M0 = 1)

The TMP103 features a One-Shot Temperature Measurement mode. When the device is in Shutdown mode, writing a 01 to bits M1 and M0 starts a single temperature conversion. During the conversion, bits M1 and M0 read 01. The device returns to the shutdown state at the completion of the single conversion. After the conversion, bits M1 and M0 read 00. This feature is useful for reducing power consumption in the TMP103 when continuous temperature monitoring is not required.

As a result of the short conversion time, the TMP103 can achieve a higher conversion rate. A single conversion typically takes 26 ms and a read can take place in less than 20  $\mu$ s. When using One-Shot mode, 30 or more conversions per second are possible.

### 7.5.5 Continuous Conversion Mode (M1 = 1)

When the TMP103 is in Continuous Conversion mode (M1 = 1), a single conversion is performed at a rate determined by the conversion rate bits, CR1 and CR0 (in the Configuration Register). The TMP103 performs a single conversion and then powers down and waits for the appropriate delay set by CR1 and CR0. See Table 1 for CR1 and CR0 settings.

### 7.5.6 Bus Overview

The device that initiates the transfer is called a *master*, and the devices controlled by the master are *slaves*. The bus must be controlled by a master device that generates the serial clock (SCL), controls the bus access, and generates the START and STOP conditions.

To address a specific device, a START condition is initiated, indicated by pulling the data line (SDA) from a high to low logic level while SCL is high. All slaves on the bus shift in the slave address byte on the rising edge of the clock, with the last bit indicating whether a read or write operation is intended. During the ninth clock pulse, the slave being addressed responds to the master by generating an Acknowledge and pulling SDA low.

Data transfer is then initiated and sent over eight clock pulses followed by an Acknowledge Bit. During data transfer, SDA must remain stable while SCL is high, because any change in SDA while SCL is high is interpreted as a START or STOP signal.

Once all data have been transferred, the master generates a STOP condition indicated by pulling SDA from low to high, while SCL is high.

### 7.5.7 Serial Interface

The TMP103 operates as a slave device only on the two-wire bus and SMBus. Connections to the bus are made through the open-drain I/O lines SDA and SCL. The SDA and SCL pins feature integrated spike suppression filters and Schmitt triggers to minimize the effects of input spikes and bus noise. The TMP103 supports the transmission protocol for both fast (1 kHz to 400 kHz) and high-speed (1 kHz to 3.4 MHz) modes. All data bytes are transmitted MSB first.

### 7.5.8 Serial Bus Address

To communicate with the TMP103, the master must first address slave devices through a slave address byte. The slave address byte consists of seven address bits, and a direction bit that indicates the intent of executing a read or write operation.

The TMP103 is available in eight versions, each with a different slave address, as shown in [Table 2](#). These addresses can be used as either a location or a temperature zone designator.

**Table 2. Device Slave Addresses**

PRODUCT	TWO-WIRE ADDRESS	TEMPERATURE ZONE
TMP103A	1110000	Zone1
TMP103B	1110001	Zone2
TMP103C	1110010	Zone3
TMP103D	1110011	Zone4
TMP103E	1110100	Zone5
TMP103F	1110101	Zone6
TMP103G	1110110	Zone7
TMP103H	1110111	Zone8

### 7.5.9 Writing and Reading Operation

Accessing a particular register on the TMP103 is accomplished by writing the appropriate value to the Pointer Register. The value for the Pointer Register is the first byte transferred after the slave address byte with the R/W bit low. Every write operation to the TMP103 requires a value for the Pointer Register (see [Figure 2](#)).

When reading from the TMP103, the last value stored in the Pointer Register by a write operation is used to determine which register is read by a read operation. To change the register pointer for a read operation, a new value must be written to the Pointer Register. This action is accomplished by issuing a slave address byte with the R/W bit low, followed by the Pointer Register byte. No additional data are required. The master can then generate a START condition and send the slave address byte with the R/W bit high to initiate the read command. See [Figure 3](#) for details of this sequence. If repeated reads from the same register are desired, it is not necessary to continually send the Pointer Register bytes; the TMP103 remembers the Pointer Register value until it is changed by the next write operation, or the TMP103 is reset.

### 7.5.10 Slave Mode Operations

The TMP103 can operate as a slave receiver or slave transmitter. As a slave device, the TMP103 never drives the SCL line.

#### 7.5.10.1 Slave Receiver Mode

The first byte transmitted by the master is the slave address, with the  $\overline{R/W}$  bit low. The TMP103 then acknowledges reception of a valid address. The next byte transmitted by the master is the Pointer Register. The TMP103 then acknowledges reception of the Pointer Register byte. The next byte is written to the register addressed by the Pointer Register. The TMP103 acknowledges reception of the data byte. The master can terminate data transfer by generating a START or STOP condition.

### 7.5.10.2 Slave Transmitter Mode

The first byte transmitted by the master is the slave address, with the  $R/\overline{W}$  bit high. The slave acknowledges reception of a valid slave address. The next byte is transmitted by the slave of the register indicated by the Pointer Register. The master acknowledges reception of the data byte. The master can terminate data transfer by generating a *Not-Acknowledge* on reception of the data byte, or generating a START or STOP condition.

### 7.5.11 General Call

The TMP103 responds to a two-wire General Call address (0000000) if the eighth bit is 0. The device acknowledges the General Call address and responds to commands in the second byte. If the second byte is 00000110, the TMP103 internal registers are reset to power-up values. The TMP103 does not support the General Address acquire command.

### 7.5.12 High-Speed (Hs) Mode

For the two-wire bus to operate at frequencies greater than 400 kHz, the master device must issue an Hs-mode master code (00001xxx) as the first byte after a START condition to switch the bus to high-speed operation. The TMP103 does not acknowledge this byte, but switches its input filters on SDA and SCL and its output filters on SDA to operate in Hs-mode, allowing transfers at up to 3.4 MHz. After the Hs-mode master code has been issued, the master transmits a START condition followed by a two-wire slave address to initiate a data transfer operation. The bus continues to operate in Hs-mode until a STOP condition occurs on the bus. Upon receiving the STOP condition, the TMP103 switches the input and output filters back to the default fast-mode operation.

### 7.5.13 Timeout Function

The TMP103 resets the serial interface if SCL is held low for 30 ms (typical). The TMP103 releases the bus if it is pulled low and waits for a START condition. To avoid activating the timeout function, it is necessary to maintain a communication speed of at least 1 kHz for SCL operating frequency.

### 7.5.14 Multiple Device Access

The TMP103 supports Multiple Device Access (MDA), which allows the master to communicate with multiple TMP103 devices on the same bus interface with one interface transaction. MDA commands consist of an MDA read address (00000001) and an MDA write address (00000000). The device acknowledges the MDA address and responds to the command accordingly. For the MDA to function correctly, different product versions of the TMP103 must be used in the system; see [Table 2](#).

#### 7.5.14.1 Multiple Device Access Write

The master transmits an MDA write address followed by the pointer address of the register to be accessed; see [Table 4](#). Following the pointer, all of the TMP103 devices on the bus acknowledge and wait for the next byte of data to be written to the addressed registers. When the data byte is received by the TMP103 devices, they store and acknowledge the transmitted byte. The TMP103 devices store the same data on all devices on the bus in one transaction; see [Figure 4](#).

#### 7.5.14.2 Multiple Device Access Read

Before an MDA read transaction can begin, the master must first send an MDA write transaction to set the appropriate pointer address of the register to be accessed, as stated in the previous section. The master can then transmit an MDA read address followed by a read byte for each TMP103 used on the bus. For example, if a TMP103A and TMP103B are used on the same bus and an MDA read address is sent, the address must be followed by two bytes of data and two master acknowledges. The TMP103A sends data on the first byte and the TMP103B sends data on the second byte. The master must issue an acknowledge for each byte read to read all of the TMP103 devices on the bus; see [Figure 5](#). If the master does not acknowledge each byte of data, the TMP103s stop sending subsequent data for any remaining devices.

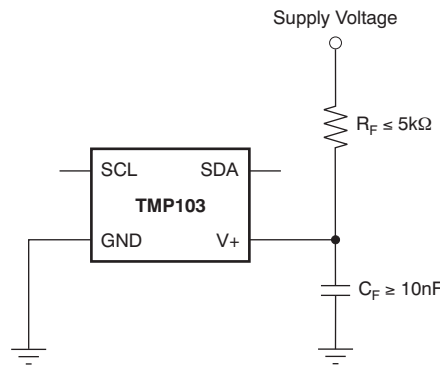
Up to eight TMP103 devices can be on the same bus and respond to MDA commands; see [Table 2](#).

**NOTE**

If the bus contains an incomplete sequence of TMP103 device addresses, the master must transmit all required dummy bytes for the missing device address to allow for normal MDA read operation. For example, if the TMP103A, TMP103B, and TMP103D devices are on the bus, the master must transmit an MDA read address followed by four bytes and four acknowledges to complete the MDA read transaction.

**7.5.15 NOISE**

The TMP103 is a very low-power device and generates very low noise on the supply bus. Applying an RC filter to the V<sup>+</sup> pin of the TMP103 can further reduce any noise the TMP103 might propagate to other components. R<sub>F</sub> in Figure 14 should be less than 5 kΩ and C<sub>F</sub> should be greater than 10 nF.

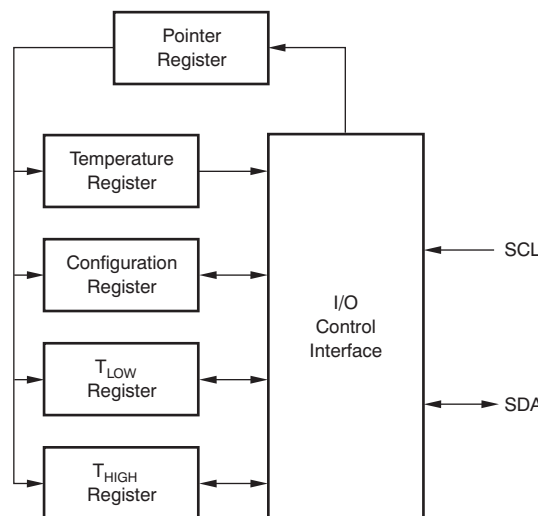


**Figure 14. Noise Reduction**

**7.6 Register Maps**

**7.6.1 Pointer Register**

Figure 15 shows the internal register structure of the TMP103. The 8-bit Pointer Register of the device is used to address a given data register. The Pointer Register uses the two LSBs to identify which of the data registers should respond to a read or write command. Table 3 identifies the bits of the Pointer Register byte. During a write command, P2 through P7 must always be 0. Table 4 describes the pointer address of the registers available in the TMP103. Power-up reset value of P1/P0 is 00. By default, the TMP103 reads the temperature on power up.



**Figure 15. Internal Register Structure**



**Register Maps (continued)**
**Table 3. Pointer Register Byte**

P7	P6	P5	P4	P3	P2	P1	P0
0	0	0	0	0	0	Register Bits	

**Table 4. Pointer Addresses**

P1	P0	REGISTER
0	0	Temperature Register (Read Only)
0	1	Configuration Register (Read/Write)
1	0	T <sub>LOW</sub> Register (Read/Write)
1	1	T <sub>HIGH</sub> Register (Read/Write)

**7.6.2 Temperature Register**

The Temperature Register of the TMP103 device is configured as an eight-bit, read-only register that stores the output of the most recent conversion. A single byte must be read to obtain data, and is described in [Table 5](#). The data format for temperature is summarized in [Table 6](#). One LSB equals 1°C.

**Table 5. Temperature Register**

D7	D6	D5	D4	D3	D2	D1	D0
T7	T6	T5	T4	T3	T2	T1	T0

Negative numbers are represented in binary twos complement format. Following power up or reset, the Temperature Register reads 0°C until the first conversion is complete.

**Table 6. 8-Bit Temperature Data Format<sup>(1)</sup>**

TEMPERATURE (°C)	DIGITAL OUTPUT (BINARY)	HEX
128	0111 1111	7F
127	0111 1111	7F
100	0110 0100	64
80	0101 0000	50
75	0100 1011	4B
50	0011 0010	32
25	0001 1001	19
0	0000 0000	00
-1	1111 1111	FF
-25	1110 0111	E7
-55	1100 1001	C9

(1) The resolution for the ADC is 1°C/count, where *count* is equal to the digital output of the ADC.

For positive temperatures (for example, 50°C):

Twos complement is not performed on positive numbers. Therefore, simply convert the number to binary code, left-justified format. Denote a positive number with MSB = 0.

Example:  $(50^{\circ}\text{C}) / (1^{\circ}\text{C}/\text{count}) = 50 = 32\text{h} = 0011\ 0010$

For negative temperatures (for example, -25°C):

Generate the twos complement of a negative number by complementing the absolute value binary number and adding 1. Denote a negative number with MSB = 1.

Example:  $(|-25^{\circ}\text{C}|) / (1^{\circ}\text{C}/\text{count}) = 25 = 19\text{h} = 0001\ 1001$

Twos complement format:  $1110\ 0110 + 1 = 1110\ 0111$

### 7.6.3 Configuration Register

The Configuration Register is an eight-bit read/write register used to store bits that control the operational modes of the temperature sensor. Read/write operations are performed MSB first. The format and power-up and reset value of the Configuration Register is shown in [Table 7](#). All registers are updated at the end of the data byte.

**Table 7. Configuration and Power-Up and Reset Format**

D7	D6	D5	D4	D3	D2	D1	D0
ID	CR1	CR0	FH	FL	LC	M1	M0
0	0	0	0	0	0	1	0

### 7.6.4 Temperature Limit Registers

The  $T_{HIGH}$  and  $T_{LOW}$  registers are used to store the temperature limit thresholds for the TMP103 watchdog function. At the end of each temperature measurement, the TMP103 compares the temperature results to each of these limits. If the temperature result is greater than the  $T_{HIGH}$  limit, then the FH bit in the configuration register is set to 1. If the temperature result is less than the  $T_{LOW}$  limit, then the FL bit in the configuration register is set to 1; see [Figure 12](#).

[Table 8](#) and [Table 9](#) describe the format for the  $T_{HIGH}$  and  $T_{LOW}$  registers. Power-up reset values for  $T_{HIGH}$  and  $T_{LOW}$  are:  $T_{HIGH} = 60^{\circ}\text{C}$  and  $T_{LOW} = -10^{\circ}\text{C}$ . The format of the data for  $T_{HIGH}$  and  $T_{LOW}$  is the same as for the Temperature Register.

**Table 8.  $T_{HIGH}$  Register**

D7	D6	D5	D4	D3	D2	D1	D0
H7	H6	H5	H4	H3	H2	H1	H0

**Table 9.  $T_{LOW}$  Register**

D7	D6	D5	D4	D3	D2	D1	D0
L7	L6	L5	L4	L3	L2	L1	L0

## 8 Application and Implementation

### NOTE

Information in the following applications sections is not part of the TI component specification, and TI does not warrant its accuracy or completeness. TI's customers are responsible for determining suitability of components for their purposes. Customers should validate and test their design implementation to confirm system functionality.

### 8.1 Application Information

The TMP103 is a digital output temperature sensor in a DSBGA package that is optimal for thermal management and thermal profiling. The TMP103 includes a two-wire interface that is compatible with both I<sup>2</sup>C and SMBus interfaces. In addition, the TMP103 has the capability of executing multiple device access (MDA) commands that allows multiple TMP103 devices to respond to a single global bus command. MDA commands reduce communication time and power in a bus that contains multiple TMP103 devices. The TMP103 is specified over a temperature range of –40°C to 125°C.

The TMP103 serial interface is designed to support up to eight TMP103 devices on a single bus. The TMP103 is offered with eight internal interface addresses. Each unique address option can be used as a location or temperature zone designator. The TMP103 responds to standard I<sup>2</sup>C and SMBus slave protocols that allow the internal registers to be written to or read from on an individual basis. The TMP103 also responds to MDA commands that allow all the devices on the bus to be written to or read from, without having to send the individual address and commands to each device.

### 8.2 Typical Application

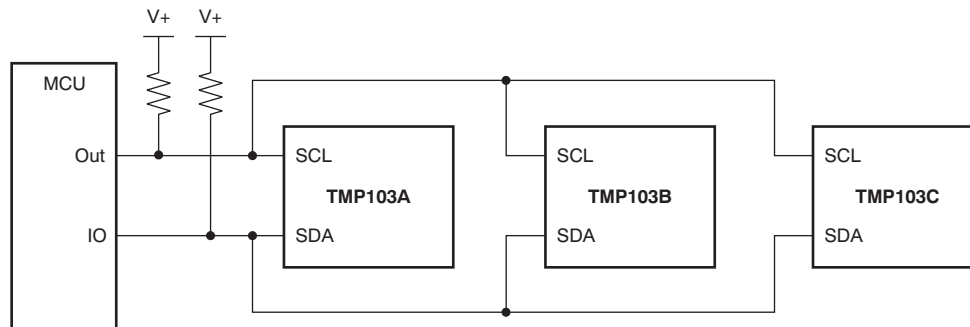


Figure 16. Typical Application Diagram

#### 8.2.1 Design Requirements

The TMP103 device requires pullup resistors on the SCL and SDA pins. The pullup resistor values must be selected such that the maximum current sinking capability of I/O pins is not violated. TI recommends a 0.01- $\mu$ F bypass capacitor on the supply.

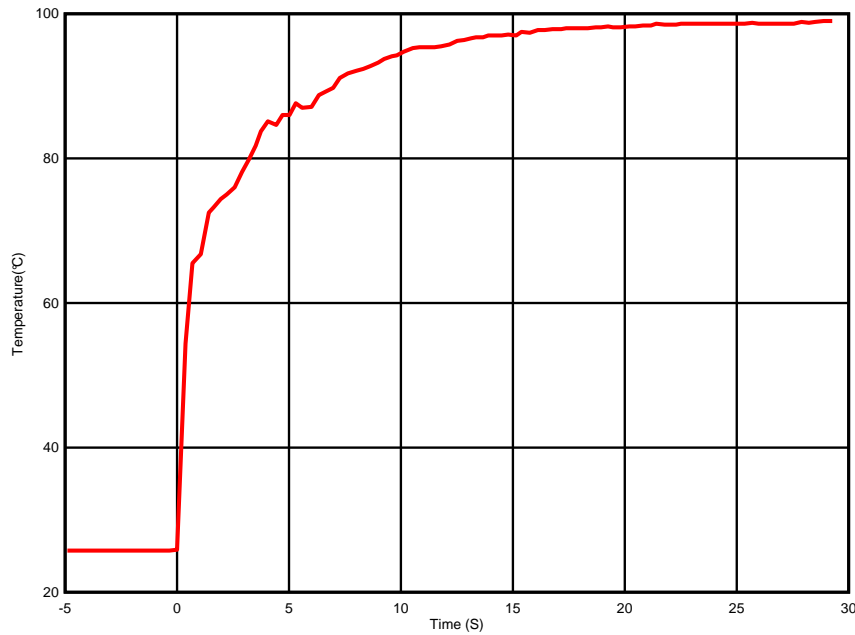
#### 8.2.2 Detailed Design Procedure

The TMP103 devices must be placed in close proximity to the heat source that must be monitored, with a proper layout for good thermal coupling. This placement ensures that temperature changes are captured within the shortest possible time interval. To maintain accuracy in applications that require air or surface temperature measurement, take care to isolate the package and leads from ambient air temperature. The TMP103 device is a very low-power device and generates very low noise on the supply bus. Applying an RC filter to the V<sup>+</sup> pin of the TMP103 device can further reduce any noise that the TMP103 device might propagate to other components.

**Typical Application (continued)**

**8.2.3 Application Curve**

Table 9 shows the step response of the TMP103 device to a submersion in an oil bath of 100°C from room temperature (25°C). The time-constant, or the time for the output to reach 63% of the input step, is 1.4 s. The time-constant result depends on the printed-circuit-board (PCB) that the TMP103 device is mounted. For this test, there are eight TMP103 devices soldered to a two-layer PCB that measured 2 in x 2 in, and the PCB thickness is 64 mils.



**Figure 17. Temperature vs Time**

## 9 Power Supply Recommendations

The TMP103 device operates with power supply in the range of 1.4 V to 3.6 V. The device is optimized for operation at 3.3-V supply but can measure temperature accurately in the full supply range. A power-supply bypass capacitor is required for proper operation. Place this capacitor as close as possible to the supply and ground pins of the device. A typical value for this supply bypass capacitor is 0.01  $\mu\text{F}$ . Applications with noisy or high-impedance power supplies may require additional decoupling capacitors to reject power-supply noise.

## 10 Layout

### 10.1 Layout Guidelines

Place the power-supply bypass capacitor as close as possible to the supply pin. The recommended value of this bypass capacitor is 0.01  $\mu\text{F}$ . Additional decoupling capacitance can be added to compensate for noisy or high-impedance power supplies. Pull up the SDA and SCL pins through 5-k $\Omega$  pullup resistors.

### 10.2 Layout Example

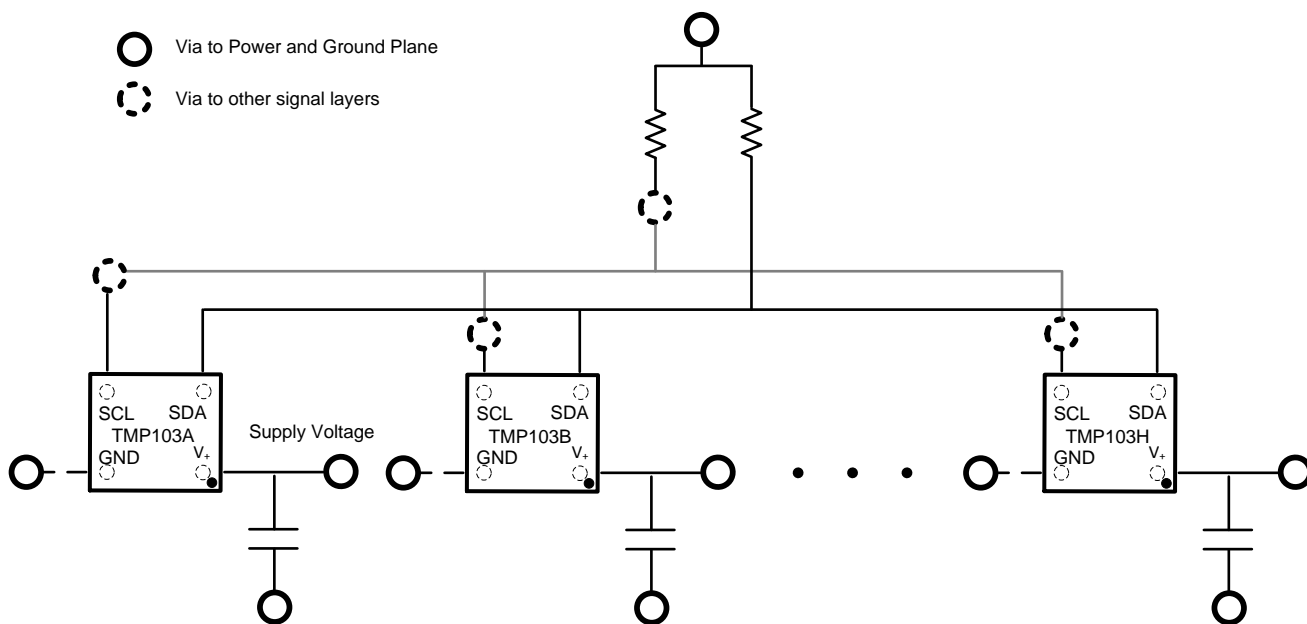


Figure 18. Recommended Layout Example

## 11 デバイスおよびドキュメントのサポート

### 11.1 ドキュメントの更新通知を受け取る方法

ドキュメントの更新についての通知を受け取るには、[ti.com](http://ti.com)のデバイス製品フォルダを開いてください。右上の隅にある「通知を受け取る」をクリックして登録すると、変更されたすべての製品情報に関するダイジェストを毎週受け取れます。変更の詳細については、修正されたドキュメントに含まれている改訂履歴をご覧ください。

### 11.2 コミュニティ・リソース

The following links connect to TI community resources. Linked contents are provided "AS IS" by the respective contributors. They do not constitute TI specifications and do not necessarily reflect TI's views; see TI's [Terms of Use](#).

**TI E2E™オンライン・コミュニティ** *TIのE2E (Engineer-to-Engineer) コミュニティ*。エンジニア間の共同作業を促進するために開設されたものです。e2e.ti.comでは、他のエンジニアに質問し、知識を共有し、アイデアを検討して、問題解決に役立てることができます。

**設計サポート** *TIの設計サポート* 役に立つE2Eフォーラムや、設計サポート・ツールをすばやく見つけることができます。技術サポート用の連絡先情報も参照できます。

### 11.3 商標

E2E is a trademark of Texas Instruments.

SMBus is a trademark of Intel.

I<sup>2</sup>C is a trademark of NXP Semiconductors.

All other trademarks are the property of their respective owners.

### 11.4 静電気放電に関する注意事項



これらのデバイスは、限定的なESD (静電破壊) 保護機能を内蔵しています。保存時または取り扱い時は、MOSゲートに対する静電破壊を防止するために、リード線同士をショートさせておくか、デバイスを導電フォームに入れる必要があります。

### 11.5 Glossary

[SLYZ022](#) — *TI Glossary*.

This glossary lists and explains terms, acronyms, and definitions.

## 12 メカニカル、パッケージ、および注文情報

以降のページには、メカニカル、パッケージ、および注文に関する情報が記載されています。この情報は、そのデバイスについて利用可能な最新のデータです。このデータは予告なく変更されることがあり、ドキュメントが改訂される場合もあります。本データシートのブラウザ版を使用されている場合は、画面左側の説明をご覧ください。

## PACKAGING INFORMATION

Orderable Device	Status (1)	Package Type	Package Drawing	Pins	Package Qty	Eco Plan (2)	Lead finish/ Ball material (6)	MSL Peak Temp (3)	Op Temp (°C)	Device Marking (4/5)	Samples
TMP103AYFFR	ACTIVE	DSBGA	YFF	4	3000	RoHS & Green	SNAGCU	Level-1-260C-UNLIM	-40 to 125	TA	<a href="#">Samples</a>
TMP103BYFFR	ACTIVE	DSBGA	YFF	4	3000	RoHS & Green	SNAGCU	Level-1-260C-UNLIM	-40 to 125	TB	<a href="#">Samples</a>
TMP103CYFFR	ACTIVE	DSBGA	YFF	4	3000	RoHS & Green	SNAGCU	Level-1-260C-UNLIM	-40 to 125	TC	<a href="#">Samples</a>
TMP103DYFFR	ACTIVE	DSBGA	YFF	4	3000	RoHS & Green	SNAGCU	Level-1-260C-UNLIM	-40 to 125	TD	<a href="#">Samples</a>
TMP103EYFFR	ACTIVE	DSBGA	YFF	4	3000	RoHS & Green	SNAGCU	Level-1-260C-UNLIM	-40 to 125	TE	<a href="#">Samples</a>
TMP103FYFFR	ACTIVE	DSBGA	YFF	4	3000	RoHS & Green	SNAGCU	Level-1-260C-UNLIM	-40 to 125	TF	<a href="#">Samples</a>
TMP103GYFFR	ACTIVE	DSBGA	YFF	4	3000	RoHS & Green	SNAGCU	Level-1-260C-UNLIM	-40 to 125	TG	<a href="#">Samples</a>
TMP103HYFFR	ACTIVE	DSBGA	YFF	4	3000	RoHS & Green	SNAGCU	Level-1-260C-UNLIM	-40 to 125	TH	<a href="#">Samples</a>

(1) The marketing status values are defined as follows:

**ACTIVE:** Product device recommended for new designs.

**LIFEBUY:** TI has announced that the device will be discontinued, and a lifetime-buy period is in effect.

**NRND:** Not recommended for new designs. Device is in production to support existing customers, but TI does not recommend using this part in a new design.

**PREVIEW:** Device has been announced but is not in production. Samples may or may not be available.

**OBSOLETE:** TI has discontinued the production of the device.

(2) **RoHS:** TI defines "RoHS" to mean semiconductor products that are compliant with the current EU RoHS requirements for all 10 RoHS substances, including the requirement that RoHS substance do not exceed 0.1% by weight in homogeneous materials. Where designed to be soldered at high temperatures, "RoHS" products are suitable for use in specified lead-free processes. TI may reference these types of products as "Pb-Free".

**RoHS Exempt:** TI defines "RoHS Exempt" to mean products that contain lead but are compliant with EU RoHS pursuant to a specific EU RoHS exemption.

**Green:** TI defines "Green" to mean the content of Chlorine (Cl) and Bromine (Br) based flame retardants meet JS709B low halogen requirements of <=1000ppm threshold. Antimony trioxide based flame retardants must also meet the <=1000ppm threshold requirement.

(3) MSL, Peak Temp. - The Moisture Sensitivity Level rating according to the JEDEC industry standard classifications, and peak solder temperature.

(4) There may be additional marking, which relates to the logo, the lot trace code information, or the environmental category on the device.

(5) Multiple Device Markings will be inside parentheses. Only one Device Marking contained in parentheses and separated by a "~" will appear on a device. If a line is indented then it is a continuation of the previous line and the two combined represent the entire Device Marking for that device.

<sup>(6)</sup> Lead finish/Ball material - Orderable Devices may have multiple material finish options. Finish options are separated by a vertical ruled line. Lead finish/Ball material values may wrap to two lines if the finish value exceeds the maximum column width.

**Important Information and Disclaimer:** The information provided on this page represents TI's knowledge and belief as of the date that it is provided. TI bases its knowledge and belief on information provided by third parties, and makes no representation or warranty as to the accuracy of such information. Efforts are underway to better integrate information from third parties. TI has taken and continues to take reasonable steps to provide representative and accurate information but may not have conducted destructive testing or chemical analysis on incoming materials and chemicals. TI and TI suppliers consider certain information to be proprietary, and thus CAS numbers and other limited information may not be available for release.

In no event shall TI's liability arising out of such information exceed the total purchase price of the TI part(s) at issue in this document sold by TI to Customer on an annual basis.



**TAPE AND REEL INFORMATION**

**QUADRANT ASSIGNMENTS FOR PIN 1 ORIENTATION IN TAPE**

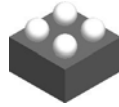

\*All dimensions are nominal

Device	Package Type	Package Drawing	Pins	SPQ	Reel Diameter (mm)	Reel Width W1 (mm)	A0 (mm)	B0 (mm)	K0 (mm)	P1 (mm)	W (mm)	Pin1 Quadrant
TMP103AYFFR	DSBGA	YFF	4	3000	180.0	8.4	0.85	0.85	0.64	4.0	8.0	Q1
TMP103BYFFR	DSBGA	YFF	4	3000	180.0	8.4	0.85	0.85	0.64	4.0	8.0	Q1
TMP103CYFFR	DSBGA	YFF	4	3000	180.0	8.4	0.85	0.85	0.64	4.0	8.0	Q1
TMP103DYFFR	DSBGA	YFF	4	3000	180.0	8.4	0.85	0.85	0.64	4.0	8.0	Q1
TMP103EYFFR	DSBGA	YFF	4	3000	180.0	8.4	0.85	0.85	0.64	4.0	8.0	Q1
TMP103FYFFR	DSBGA	YFF	4	3000	180.0	8.4	0.85	0.85	0.64	4.0	8.0	Q1
TMP103GYFFR	DSBGA	YFF	4	3000	180.0	8.4	0.85	0.85	0.64	4.0	8.0	Q1
TMP103HYFFR	DSBGA	YFF	4	3000	180.0	8.4	0.85	0.85	0.64	4.0	8.0	Q1

**TAPE AND REEL BOX DIMENSIONS**


\*All dimensions are nominal

Device	Package Type	Package Drawing	Pins	SPQ	Length (mm)	Width (mm)	Height (mm)
TMP103AYFFR	DSBGA	YFF	4	3000	182.0	182.0	20.0
TMP103BYFFR	DSBGA	YFF	4	3000	182.0	182.0	20.0
TMP103CYFFR	DSBGA	YFF	4	3000	182.0	182.0	20.0
TMP103DYFFR	DSBGA	YFF	4	3000	182.0	182.0	20.0
TMP103EYFFR	DSBGA	YFF	4	3000	182.0	182.0	20.0
TMP103FYFFR	DSBGA	YFF	4	3000	182.0	182.0	20.0
TMP103GYFFR	DSBGA	YFF	4	3000	182.0	182.0	20.0
TMP103HYFFR	DSBGA	YFF	4	3000	182.0	182.0	20.0

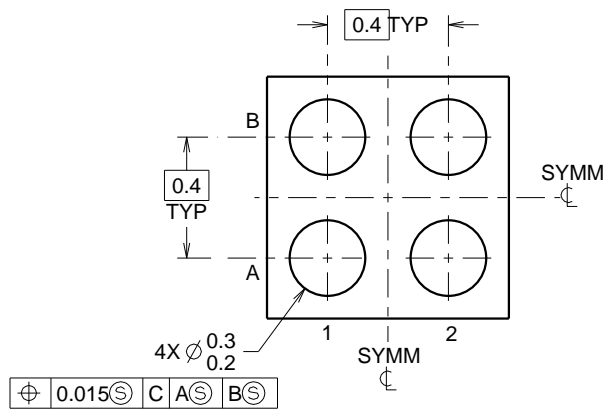
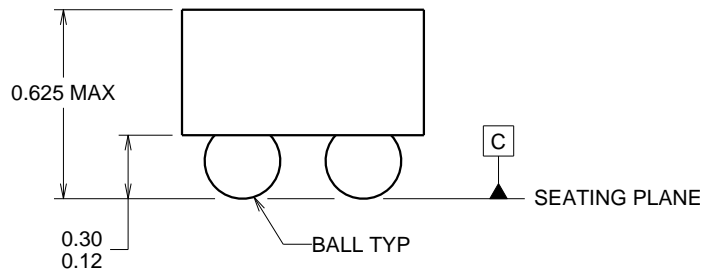
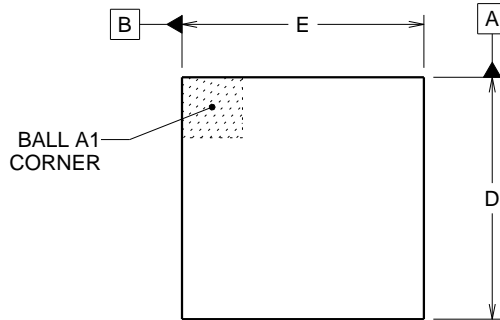


YFF0004

# PACKAGE OUTLINE

## DSBGA - 0.625 mm max height

DIE SIZE BALL GRID ARRAY



D: Max = 0.79 mm, Min = 0.73 mm
E: Max = 0.79 mm, Min = 0.73 mm

4219460/A 02/2014

### NOTES:

NanoFree Is a trademark of Texas Instruments.

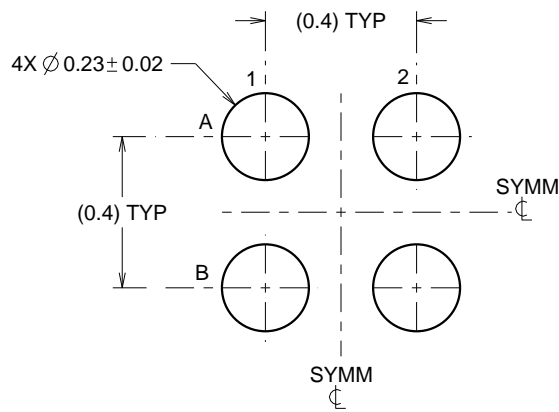
1. All linear dimensions are in millimeters. Any dimensions in parenthesis are for reference only. Dimensioning and tolerancing per ASME Y14.5M.
2. This drawing is subject to change without notice.
3. NanoFree™ package configuration.

# EXAMPLE BOARD LAYOUT

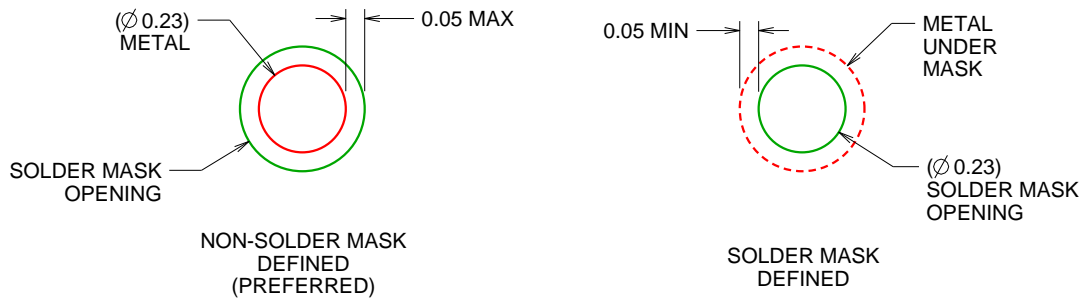
YFF0004

DSBGA - 0.625 mm max height

DIE SIZE BALL GRID ARRAY



LAND PATTERN EXAMPLE  
SCALE:50X



SOLDER MASK DETAILS  
NOT TO SCALE

4219460/A 02/2014

NOTES: (continued)

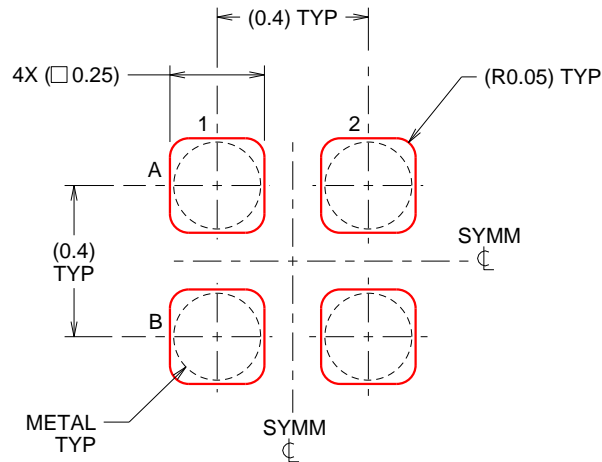
- Final dimensions may vary due to manufacturing tolerance considerations and also routing constraints. For more information, see Texas Instruments literature number SBVA017 ([www.ti.com/lit/sbva017](http://www.ti.com/lit/sbva017)).

# EXAMPLE STENCIL DESIGN

YFF0004

DSBGA - 0.625 mm max height

DIE SIZE BALL GRID ARRAY



SOLDER PASTE EXAMPLE  
BASED ON 0.1 mm THICK STENCIL  
SCALE:50X

4219460/A 02/2014

NOTES: (continued)

5. Laser cutting apertures with trapezoidal walls and rounded corners may offer better paste release.

## 重要なお知らせと免責事項

TI は、技術データと信頼性データ（データシートを含みます）、設計リソース（リファレンス・デザインを含みます）、アプリケーションや設計に関する各種アドバイス、Web ツール、安全性情報、その他のリソースを、欠陥が存在する可能性のある「現状のまま」提供しており、商品性および特定目的に対する適合性の黙示保証、第三者の知的財産権の非侵害保証を含むいかなる保証も、明示的または黙示的にかかわらず拒否します。

これらのリソースは、TI 製品を使用する設計の経験を積んだ開発者への提供を意図したものです。(1) お客様のアプリケーションに適した TI 製品の選定、(2) お客様のアプリケーションの設計、検証、試験、(3) お客様のアプリケーションに該当する各種規格や、その他のあらゆる安全性、セキュリティ、規制、または他の要件への確実な適合に関する責任を、お客様のみが単独で負うものとし、

上記の各種リソースは、予告なく変更される可能性があります。これらのリソースは、リソースで説明されている TI 製品を使用するアプリケーションの開発の目的でのみ、TI はその使用をお客様に許諾します。これらのリソースに関して、他の目的で複製することや掲載することは禁止されています。TI や第三者の知的財産権のライセンスが付与されている訳ではありません。お客様は、これらのリソースを自身で使用した結果発生するあらゆる申し立て、損害、費用、損失、責任について、TI およびその代理人を完全に補償するものとし、TI は一切の責任を拒否します。

TI の製品は、[TI の販売条件](#)、または [ti.com](#) やかかる TI 製品の関連資料などのいずれかを通じて提供する適用可能な条項の下で提供されています。TI がこれらのリソースを提供することは、適用される TI の保証または他の保証の放棄の拡大や変更を意味するものではありません。

お客様がいかなる追加条項または代替条項を提案した場合でも、TI はそれらに異議を唱え、拒否します。

郵送先住所：Texas Instruments, Post Office Box 655303, Dallas, Texas 75265  
Copyright © 2024, Texas Instruments Incorporated