

TMUX112x 5V、低リーク電流、1:1 (SPST)、2 チャンネル高精度スイッチ

1 特長

- 幅広い電源電圧範囲: 1.08V~5.5V
- 小さいリーク電流: 3pA
- 少ない電荷注入: -1.5pC
- 低いオン抵抗: 1.9Ω
- 動作温度範囲: -40°C~+125°C
- 1.8V ロジック互換
- フェイルセーフ ロジック
- レール ツー レールの動作
- 双方向の信号パス
- ブレイクビフォーメイクのスイッチング動作
- ESD 保護 (HBM): 2000V

2 アプリケーション

- サンプル アンド ホールド回路
- 帰還ゲイン スwitching
- 信号絶縁
- フィールドトランスミッタ
- プログラマブル ロジック コントローラ (PLC)
- ファクトリ オートメーション / 制御
- 超音波スキャナ
- メディカル モニタと診断
- 心電図 (ECG)
- データ アクイジション システム (DAQ)
- 半導体試験用機器
- バッテリー テスト機器
- 計測機器: ラボ、分析、ポータブル
- 超音波スマート メータ: 水道およびガス
- 光学ネットワーク機器
- 光学テスト機器

3 概要

TMUX1121、TMUX1122、TMUX1123 は、高精度の CMOS (相補型金属酸化膜半導体) デバイスで、2 つの 1:1 SPST (単極単投) スwitchを独立に選択可能です。1.08V~5.5V の広い電源電圧範囲で動作するため、医療機器から産業システムまで、幅広い用途に適しています。このデバイスは、ソース (Sx) およびドレイン (Dx) ピンで、GND から V_{DD} までの範囲の双方向アナログおよびデジタル信号をサポートします。

TMUX1121 のス switchは、適切なロジック制御入力のロジック 1 でオンになります。TMUX1122 のス switchは、ロジック 0 でオンになります。TMUX1123 の 2 つのチャンネルは、チャンネル 1 がロジック 1 を、チャンネル 2 がロジック 0 をサポートするように分割されています。TMUX1123 は Break-Before-Make のス switchingを行うため、クロスポイントのス switching アプリケーションに使用できます。

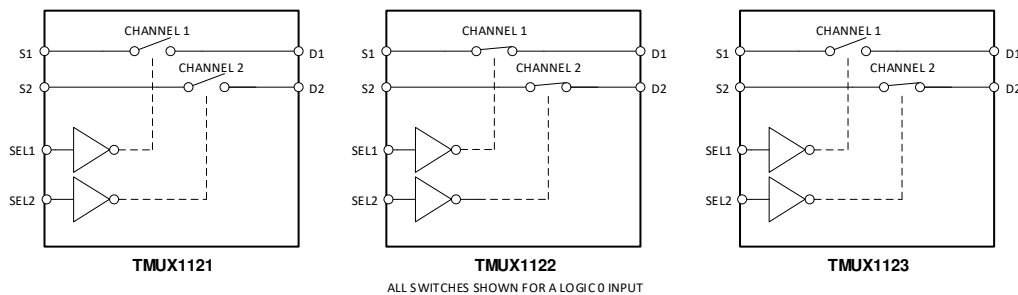
TMUX112x デバイスは、高精度ス switchおよびマルチプレクサのファミリの製品です。これらのデバイスは、オンおよびオフ時のリーク電流が非常に小さく、電荷注入も少ないため、高精度の測定用途に使用できます。消費電流が 7nA と低く、小さいパッケージ オプションが存在するため、携帯型アプリケーションでも使用できます。

製品情報

部品番号 ⁽¹⁾	コントロール ロジック ⁽¹⁾	パッケージ ⁽²⁾
TMUX1121	アクティブ High	DGK (VSSOP, 8)
TMUX1122	アクティブ Low	
TMUX1123	混合あり	

(1) 製品比較表を参照してください。

(2) 詳細については、セクション 12 を参照してください。



TMUX112x ブロック図



Table of Contents

1 特長	1	7.8 Channel-to-Channel Crosstalk.....	17
2 アプリケーション	1	7.9 Bandwidth.....	18
3 概要	1	8 Detailed Description	19
4 Device Comparison Table	2	8.1 Overview.....	19
5 Pin Configuration and Functions	3	8.2 Functional Block Diagram.....	19
6 Specifications	4	8.3 Feature Description.....	19
6.1 Absolute Maximum Ratings.....	4	8.4 Device Functional Modes.....	21
6.2 ESD Ratings.....	4	9 Application and Implementation	22
6.3 Recommended Operating Conditions.....	4	9.1 Application Information.....	22
6.4 Thermal Information.....	5	9.2 Typical Application - Sample-and-Hold Circuit.....	22
6.5 Electrical Characteristics ($V_{DD} = 5V \pm 10\%$).....	5	9.3 Typical Application - Switched Gain Amplifier.....	24
6.6 Electrical Characteristics ($V_{DD} = 3.3V \pm 10\%$).....	6	9.4 Power Supply Recommendations.....	26
6.7 Electrical Characteristics ($V_{DD} = 1.8V \pm 10\%$).....	8	9.5 Layout.....	26
6.8 Electrical Characteristics ($V_{DD} = 1.2V \pm 10\%$).....	9	10 Device and Documentation Support	28
6.9 Typical Characteristics.....	11	10.1 Documentation Support.....	28
7 Parameter Measurement Information	14	10.2 ドキュメントの更新通知を受け取る方法.....	28
7.1 On-Resistance.....	14	10.3 サポート・リソース.....	28
7.2 Off-Leakage Current.....	14	10.4 Trademarks.....	28
7.3 On-Leakage Current.....	15	10.5 静電気放電に関する注意事項.....	28
7.4 Transition time.....	15	10.6 用語集.....	28
7.5 Break-Before-Make.....	16	11 Revision History	28
7.6 Charge Injection.....	16	12 Mechanical, Packaging, and Orderable Information	29
7.7 Off Isolation.....	17		

4 Device Comparison Table

PRODUCT	DESCRIPTION
TMUX1121	Low-Leakage-Current, 1:1 (SPST), 2-Channel Precision Switches (Active High)
TMUX1122	Low-Leakage-Current, 1:1 (SPST), 2-Channel Precision Switches (Active Low)
TMUX1123	Low-Leakage-Current, 1:1 (SPST), 2-Channel Precision Switches (Active High + Active Low)

5 Pin Configuration and Functions

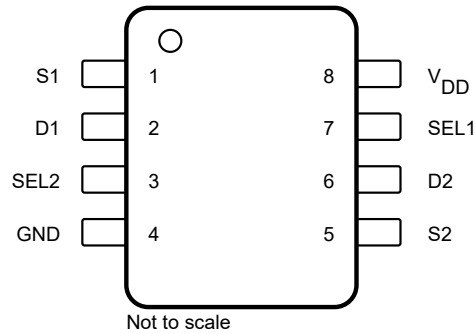


図 5-1. DGK Package, 8-Pin VSSOP (Top View)

表 5-1. Pin Functions

PIN		TYPE ⁽¹⁾	DESCRIPTION ⁽²⁾
NAME	NO.		
S1	1	I/O	Source pin 1. Can be an input or output.
D1	2	I/O	Drain pin 1. Can be an input or output.
SEL2	3	I	Logic control select pin 2. Controls channel 2 state as shown in Truth Tables .
GND	4	P	Ground (0V) reference
S2	5	I/O	Source pin 2. Can be an input or output.
D2	6	I/O	Drain pin 2. Can be an input or output.
SEL1	7	I	Logic control select pin 1. Controls channel 1 state as shown in Truth Tables .
V _{DD}	8	P	Positive power supply. This pin is the most positive power-supply potential. For reliable operation, connect a decoupling capacitor ranging from 0.1μF to 10μF between V _{DD} and GND.

(1) I = input, O = output, I/O = input and output, P = power

(2) Refer to [セクション 8.4](#) for what to do with unused pins

6 Specifications

6.1 Absolute Maximum Ratings

over operating free-air temperature range (unless otherwise noted) ⁽¹⁾ ⁽²⁾ ⁽³⁾

		MIN	MAX	UNIT
V _{DD}	Supply voltage	-0.5	6	V
V _{SEL}	Logic control input pin voltage (SELx)	-0.5	6	V
I _{SEL}	Logic control input pin current (SELx)	-30	30	mA
V _S or V _D	Source or drain voltage (Sx, Dx)	-0.5	V _{DD} +0.5	V
I _S or I _{D (CONT)}	Source or drain continuous current (Sx, Dx)	I _{DC} ± 10% ⁽⁴⁾	I _{DC} ± 10% ⁽⁴⁾	mA
I _S or I _{D (PEAK)}	Source and drain peak current: (1ms period max, 10% duty cycle maximum) (Sx, D)	I _{peak} ± 10% ⁽⁴⁾	I _{peak} ± 10% ⁽⁴⁾	mA
T _{stg}	Storage temperature	-65	150	°C
P _{tot}	Total power dissipation ⁽⁵⁾		300	mW
T _J	Junction temperature		150	°C

- (1) Stresses beyond those listed under *Absolute Maximum Rating* may cause permanent damage to the device. These are stress ratings only, which do not imply functional operation of the device at these or any other conditions beyond those indicated under *Recommended Operating Condition*. Exposure to absolute-maximum-rated conditions for extended periods may affect device reliability.
- (2) The algebraic convention, whereby the most negative value is a minimum and the most positive value is a maximum.
- (3) All voltages are with respect to ground, unless otherwise specified.
- (4) Refer to Recommended Operating Conditions for I_{DC} and I_{peak} ratings
- (5) For DGK (VSSOP) package: P_{tot} derates linearly above TA=88°C by 4.87mW/°C

6.2 ESD Ratings

			VALUE	UNIT
V _(ESD)	Electrostatic discharge	Human body model (HBM), per ANSI/ESDA/ JEDEC JS-001, all pins ⁽¹⁾	±2000	V
		Charged device model (CDM), per JEDEC specification JESD22-C101, all pins ⁽²⁾	±750	

- (1) JEDEC document JEP155 states that 500-V HBM allows safe manufacturing with a standard ESD control process.
- (2) JEDEC document JEP157 states that 250-V CDM allows safe manufacturing with a standard ESD control process.

6.3 Recommended Operating Conditions

over operating free-air temperature range (unless otherwise noted)

		MIN	NOM	MAX	UNIT
V _{DD}	Positive power supply voltage	1.08		5.5	V
V _S or V _D	Signal path input/output voltage (source or drain pins: Sx, Dx)	0		V _{DD}	V
V _{SEL}	Logic control input pin voltage (SELx)	0		5.5	V
T _A	Ambient temperature	-40		125	°C
I _{DC}	Signal path continuous current (source or drain pins: Sx, Dx)	T _J = 25°C		150	mA
		T _J = 85°C		120	mA
		T _J = 125°C		60	mA
		T _J = 130°C		50	mA
I _{peak}	Peak current through switch(1ms period max, 10% duty cycle maximum)	T _J = 25°C		300	mA
		T _J = 85°C		300	mA
		T _J = 125°C		180	mA
		T _J = 130°C		160	mA

6.4 Thermal Information

THERMAL METRIC ⁽¹⁾		TMUX1121 / TMUX1122 / TMUX1123	UNIT
		DGK (VSSOP)	
		8 PINS	
R _{θJA}	Junction-to-ambient thermal resistance	205.5	°C/W
R _{θJC(top)}	Junction-to-case (top) thermal resistance	91.7	°C/W
R _{θJB}	Junction-to-board thermal resistance	127.0	°C/W
Ψ _{JT}	Junction-to-top characterization parameter	25.9	°C/W
Ψ _{JB}	Junction-to-board characterization parameter	125.3	°C/W
R _{θJC(bot)}	Junction-to-case (bottom) thermal resistance	N/A	°C/W

(1) For more information about traditional and new thermal metrics, see the [Semiconductor and IC Package Thermal Metrics](#) application report.

6.5 Electrical Characteristics (V_{DD} = 5V ±10 %)

at T_A = 25°C, V_{DD} = 5V (unless otherwise noted)

PARAMETER		TEST CONDITIONS	TA	MIN	TYP	MAX	UNIT
ANALOG SWITCH							
R _{ON}	On-resistance	V _S = 0V to V _{DD} I _{SD} = 10mA Refer to セクション 7.1	25°C		1.9	4	Ω
			-40°C to +85°C			4.5	Ω
			-40°C to +125°C			4.9	Ω
ΔR _{ON}	On-resistance matching between channels	V _S = 0V to V _{DD} I _{SD} = 10mA Refer to セクション 7.1	25°C		0.13		Ω
			-40°C to +85°C			0.4	Ω
			-40°C to +125°C			0.5	Ω
R _{ON FLAT}	On-resistance flatness	V _S = 0V to V _{DD} I _{SD} = 10mA Refer to セクション 7.1	25°C		0.85		Ω
			-40°C to +85°C			1.6	Ω
			-40°C to +125°C			1.6	Ω
I _{S(OFF)}	Source off leakage current ⁽¹⁾	V _{DD} = 5V Switch Off V _D = 4.5V / 1.5V V _S = 1.5V / 4.5V Refer to セクション 7.2	25°C	-0.08	±0.003	0.08	nA
			-40°C to +85°C			0.3	nA
			-40°C to +125°C			0.9	nA
I _{D(OFF)}	Drain off leakage current ⁽¹⁾	V _{DD} = 5V Switch Off V _D = 4.5V / 1.5V V _S = 1.5V / 4.5V Refer to セクション 7.2	25°C	-0.08	±0.003	0.08	nA
			-40°C to +85°C			0.3	nA
			-40°C to +125°C			0.9	nA
I _{D(ON) I_{S(ON)}}	Channel on leakage current	V _{DD} = 5V Switch On V _D = V _S = 4.5V / 1.5V Refer to セクション 7.3	25°C	-0.1	±0.003	0.1	nA
			-40°C to +85°C			0.35	nA
			-40°C to +125°C			2	nA
LOGIC INPUTS (SELx)							
V _{IH}	Input logic high		-40°C to +125°C	1.49		5.5	V
V _{IL}	Input logic low		-40°C to +125°C	0		0.87	V
I _{IH I_{IL}}	Input leakage current		25°C		±0.005		μA
			-40°C to +125°C			±0.05	μA
C _{IN}	Logic input capacitance		25°C		1		pF
C _{IN}	Logic input capacitance		-40°C to +125°C			2	pF

6.5 Electrical Characteristics ($V_{DD} = 5V \pm 10\%$) (続き)

at $T_A = 25^\circ\text{C}$, $V_{DD} = 5V$ (unless otherwise noted)

PARAMETER		TEST CONDITIONS	TA	MIN	TYP	MAX	UNIT
POWER SUPPLY							
I_{DD}	V_{DD} supply current	Logic inputs = 0V or 5.5V	25°C	0.007			μA
			-40°C to +125°C			1	μA
DYNAMIC CHARACTERISTICS							
t_{TRAN}	Transition time between channels	$V_S = 3V$ $R_L = 200\Omega$, $C_L = 15\text{pF}$ Refer to セクション 7.4	25°C	12			ns
			-40°C to +85°C			17	ns
			-40°C to +125°C			18	ns
t_{OPEN} (BBM)	Break before make time (TMUX1123 Only)	$V_S = 3V$ $R_L = 200\Omega$, $C_L = 15\text{pF}$ Refer to セクション 7.5	25°C	8			ns
			-40°C to +85°C	1			ns
			-40°C to +125°C	1			ns
Q_C	Charge Injection	$V_S = 1V$ $R_S = 0\Omega$, $C_L = 1\text{nF}$ Refer to セクション 7.6	25°C	-1.5			pC
O_{ISO}	Off Isolation	$R_L = 50\Omega$, $C_L = 5\text{pF}$ $f = 1\text{MHz}$ Refer to セクション 7.7	25°C	-62			dB
			$R_L = 50\Omega$, $C_L = 5\text{pF}$ $f = 10\text{MHz}$ Refer to セクション 7.7	25°C	-40		
X_{TALK}	Crosstalk	$R_L = 50\Omega$, $C_L = 5\text{pF}$ $f = 1\text{MHz}$ Refer to セクション 7.8	25°C	-100			dB
			$R_L = 50\Omega$, $C_L = 5\text{pF}$ $f = 10\text{MHz}$ Refer to セクション 7.8	25°C	-90		
BW	Bandwidth	$R_L = 50\Omega$, $C_L = 5\text{pF}$ Refer to セクション 7.9	25°C	300			MHz
C_{SOFF}	Source off capacitance	$f = 1\text{MHz}$	25°C	6			pF
C_{DOFF}	Drain off capacitance	$f = 1\text{MHz}$	25°C	10			pF
C_{SON} C_{DON}	On capacitance	$f = 1\text{MHz}$	25°C	18			pF

(1) When V_S is 4.5V, V_D is 1.5V or when V_S is 1.5V, V_D is 4.5V.

6.6 Electrical Characteristics ($V_{DD} = 3.3V \pm 10\%$)

at $T_A = 25^\circ\text{C}$, $V_{DD} = 3.3V$ (unless otherwise noted)

PARAMETER		TEST CONDITIONS	TA	MIN	TYP	MAX	UNIT
ANALOG SWITCH							
R_{ON}	On-resistance	$V_S = 0V$ to V_{DD} $I_{SD} = 10\text{mA}$ Refer to セクション 7.1	25°C	3.7	8.8		Ω
			-40°C to +85°C			9.5	Ω
			-40°C to +125°C			9.8	Ω
ΔR_{ON}	On-resistance matching between channels	$V_S = 0V$ to V_{DD} $I_{SD} = 10\text{mA}$ Refer to セクション 7.1	25°C	0.13			Ω
			-40°C to +85°C			0.4	Ω
			-40°C to +125°C			0.5	Ω
R_{ON} FLAT	On-resistance flatness	$V_S = 0V$ to V_{DD} $I_{SD} = 10\text{mA}$ Refer to セクション 7.1	25°C	1.9			Ω
			-40°C to +85°C			2	Ω
			-40°C to +125°C			2.2	Ω

6.6 Electrical Characteristics ($V_{DD} = 3.3V \pm 10\%$) (続き)

at $T_A = 25^\circ C$, $V_{DD} = 3.3V$ (unless otherwise noted)

PARAMETER		TEST CONDITIONS	TA	MIN	TYP	MAX	UNIT
$I_{S(OFF)}$	Source off leakage current ⁽¹⁾	$V_{DD} = 3.3V$ Switch Off $V_D = 3V / 1V$ $V_S = 1V / 3V$ Refer to セクション 7.2	25°C	-0.05	±0.001	0.05	nA
			-40°C to +85°C	-0.2		0.2	nA
			-40°C to +125°C	-0.9		0.9	nA
$I_{D(OFF)}$	Drain off leakage current ⁽¹⁾	$V_{DD} = 3.3V$ Switch Off $V_D = 3V / 1V$ $V_S = 1V / 3V$ Refer to セクション 7.2	25°C	-0.05	±0.001	0.05	nA
			-40°C to +85°C	-0.2		0.2	nA
			-40°C to +125°C	-0.9		0.9	nA
$I_{D(ON)}$ $I_{S(ON)}$	Channel on leakage current	$V_{DD} = 3.3V$ Switch On $V_D = V_S = 3V / 1V$ Refer to セクション 7.3	25°C	-0.1	±0.003	0.1	nA
			-40°C to +85°C	-0.35		0.35	nA
			-40°C to +125°C	-2		2	nA
LOGIC INPUTS (SELx)							
V_{IH}	Input logic high		-40°C to +125°C	1.35		5.5	V
V_{IL}	Input logic low		-40°C to +125°C	0		0.8	V
I_{IH} I_{IL}	Input leakage current		25°C	±0.005			µA
			-40°C to +125°C		±0.05		
C_{IN}	Logic input capacitance		25°C	1			pF
C_{IN}	Logic input capacitance		-40°C to +125°C			2	pF
POWER SUPPLY							
I_{DD}	V_{DD} supply current	Logic inputs = 0V or 5.5V	25°C	0.004			µA
			-40°C to +125°C			1	µA
DYNAMIC CHARACTERISTICS							
t_{TRAN}	Transition time between channels	$V_S = 2V$ $R_L = 200\Omega$, $C_L = 15pF$ Refer to セクション 7.4	25°C	14			ns
			-40°C to +85°C			20	ns
			-40°C to +125°C			22	ns
t_{OPEN} (BBM)	Break before make time (TMUX1123 Only)	$V_S = 2V$ $R_L = 200\Omega$, $C_L = 15pF$ Refer to セクション 7.5	25°C	9			ns
			-40°C to +85°C	1			ns
			-40°C to +125°C	1			ns
Q_C	Charge Injection	$V_S = 1V$ $R_S = 0\Omega$, $C_L = 1nF$ Refer to セクション 7.6	25°C	-1.5			pC
O_{ISO}	Off Isolation	$R_L = 50\Omega$, $C_L = 5pF$ $f = 1MHz$ Refer to セクション 7.7	25°C	-62			dB
		$R_L = 50\Omega$, $C_L = 5pF$ $f = 10MHz$ Refer to セクション 7.7	25°C	-40			dB
X_{TALK}	Crosstalk	$R_L = 50\Omega$, $C_L = 5pF$ $f = 1MHz$ Refer to セクション 7.8	25°C	-100			dB
		$R_L = 50\Omega$, $C_L = 5pF$ $f = 10MHz$ Refer to セクション 7.8	25°C	-90			dB
BW	Bandwidth	$R_L = 50\Omega$, $C_L = 5pF$ Refer to セクション 7.9	25°C	300			MHz

6.6 Electrical Characteristics ($V_{DD} = 3.3V \pm 10\%$) (続き)

at $T_A = 25^\circ C$, $V_{DD} = 3.3V$ (unless otherwise noted)

PARAMETER		TEST CONDITIONS	TA	MIN	TYP	MAX	UNIT
C_{SOFF}	Source off capacitance	f = 1MHz	25°C		6		pF
C_{DOFF}	Drain off capacitance	f = 1MHz	25°C		10		pF
C_{SON} C_{DON}	On capacitance	f = 1MHz	25°C		18		pF

(1) When V_S is 3V, V_D is 1V or when V_S is 1V, V_D is 3V.

6.7 Electrical Characteristics ($V_{DD} = 1.8V \pm 10\%$)

at $T_A = 25^\circ C$, $V_{DD} = 1.8V$ (unless otherwise noted)

PARAMETER		TEST CONDITIONS	TA	MIN	TYP	MAX	UNIT
ANALOG SWITCH							
R_{ON}	On-resistance	$V_S = 0V$ to V_{DD} $I_{SD} = 10mA$ Refer to セクション 7.1	25°C		40		Ω
			-40°C to +85°C			80	Ω
			-40°C to +125°C			80	Ω
ΔR_{ON}	On-resistance matching between channels	$V_S = 0V$ to V_{DD} $I_{SD} = 10mA$ Refer to セクション 7.1	25°C		0.4		Ω
			-40°C to +85°C			1.5	Ω
			-40°C to +125°C			1.5	Ω
$I_{S(OFF)}$	Source off leakage current ⁽¹⁾	$V_{DD} = 1.98V$ Switch Off $V_D = 1.62V / 1V$ $V_S = 1V / 1.62V$ Refer to セクション 7.2	25°C	-0.05	± 0.001	0.05	nA
			-40°C to +85°C	-0.2		0.2	nA
			-40°C to +125°C	-0.9		0.9	nA
$I_{D(OFF)}$	Drain off leakage current ⁽¹⁾	$V_{DD} = 1.98V$ Switch Off $V_D = 1.62V / 1V$ $V_S = 1V / 1.62V$ Refer to セクション 7.2	25°C	-0.05	± 0.001	0.05	nA
			-40°C to +85°C	-0.2		0.2	nA
			-40°C to +125°C	-0.9		0.9	nA
$I_{D(ON)}$ $I_{S(ON)}$	Channel on leakage current	$V_{DD} = 1.98V$ Switch On $V_D = V_S = 1.62V / 1V$ Refer to セクション 7.3	25°C	-0.1	± 0.003	0.1	nA
			-40°C to +85°C	-0.35		0.35	nA
			-40°C to +125°C	-2		2	nA
LOGIC INPUTS (SELx)							
V_{IH}	Input logic high		-40°C to +125°C	1.07		5.5	V
V_{IL}	Input logic low		-40°C to +125°C	0		0.68	V
I_{IH} I_{IL}	Input leakage current		25°C		± 0.005		μA
			-40°C to +125°C			± 0.05	μA
C_{IN}	Logic input capacitance		25°C		1		pF
C_{IN}	Logic input capacitance		-40°C to +125°C			2	pF
POWER SUPPLY							
I_{DD}	V_{DD} supply current	Logic inputs = 0V or 5.5V	25°C		0.001		μA
			-40°C to +125°C			0.85	μA
DYNAMIC CHARACTERISTICS							
t_{TRAN}	Transition time between channels	$V_S = 1V$ $R_L = 200\Omega$, $C_L = 15pF$ Refer to セクション 7.4	25°C		25		ns
			-40°C to +85°C			44	ns
			-40°C to +125°C			44	ns

6.7 Electrical Characteristics ($V_{DD} = 1.8V \pm 10\%$) (続き)

at $T_A = 25^\circ\text{C}$, $V_{DD} = 1.8V$ (unless otherwise noted)

PARAMETER		TEST CONDITIONS	TA	MIN	TYP	MAX	UNIT
t_{OPEN} (BBM)	Break before make time (TMUX1123 Only)	$V_S = 1V$ $R_L = 200\Omega$, $C_L = 15\text{pF}$ Refer to セクション 7.5	25°C		17		ns
			-40°C to +85°C		1		ns
			-40°C to +125°C		1		ns
Q_C	Charge Injection	$V_S = 1V$ $R_S = 0\Omega$, $C_L = 1\text{nF}$ Refer to セクション 7.6	25°C		-0.5		pC
O_{ISO}	Off Isolation	$R_L = 50\Omega$, $C_L = 5\text{pF}$ $f = 1\text{MHz}$ Refer to セクション 7.7	25°C		-62		dB
			25°C		-40		dB
X_{TALK}	Crosstalk	$R_L = 50\Omega$, $C_L = 5\text{pF}$ $f = 1\text{MHz}$ Refer to セクション 7.8	25°C		-100		dB
			25°C		-90		dB
BW	Bandwidth	$R_L = 50\Omega$, $C_L = 5\text{pF}$ Refer to セクション 7.9	25°C		300		MHz
C_{SOFF}	Source off capacitance	$f = 1\text{MHz}$	25°C		6		pF
C_{DOFF}	Drain off capacitance	$f = 1\text{MHz}$	25°C		10		pF
C_{SON} C_{DON}	On capacitance	$f = 1\text{MHz}$	25°C		18		pF

(1) When V_S is 1.62 V, V_D is 1V or when V_S is 1V, V_D is 1.62 V.

6.8 Electrical Characteristics ($V_{DD} = 1.2V \pm 10\%$)

PARAMETER		TEST CONDITIONS	TA	MIN	TYP	MAX	UNIT	
ANALOG SWITCH								
R_{ON}	On-resistance	$V_S = 0V$ to V_{DD} $I_{SD} = 10\text{mA}$ Refer to セクション 7.1	25°C		70		Ω	
			-40°C to +85°C			105	Ω	
			-40°C to +125°C			105	Ω	
ΔR_{ON}	On-resistance matching between channels	$V_S = 0V$ to V_{DD} $I_{SD} = 10\text{mA}$ Refer to セクション 7.1	25°C		0.4		Ω	
			-40°C to +85°C			1.5	Ω	
			-40°C to +125°C			1.5	Ω	
$I_{S(\text{OFF})}$	Source off leakage current ⁽¹⁾	$V_{DD} = 1.32V$ Switch Off $V_D = 1V / 0.8V$ $V_S = 0.8V / 1V$ Refer to セクション 7.2	25°C	-0.05	± 0.001	0.05	nA	
			-40°C to +85°C		-0.2		0.2	nA
			-40°C to +125°C		-0.9		0.9	nA
$I_{D(\text{OFF})}$	Drain off leakage current ⁽¹⁾	$V_{DD} = 1.32V$ Switch Off $V_D = 1V / 0.8V$ $V_S = 0.8V / 1V$ Refer to セクション 7.2	25°C	-0.05	± 0.001	0.05	nA	
			-40°C to +85°C		-0.2		0.2	nA
			-40°C to +125°C		-0.9		0.9	nA
$I_{D(\text{ON})}$ $I_{S(\text{ON})}$	Channel on leakage current	$V_{DD} = 1.32V$ Switch On $V_D = V_S = 1V / 0.8V$ Refer to セクション 7.3	25°C	-0.1	± 0.003	0.1	nA	
			-40°C to +85°C		-0.35		0.35	nA
			-40°C to +125°C		-2		2	nA
LOGIC INPUTS (SELx)								

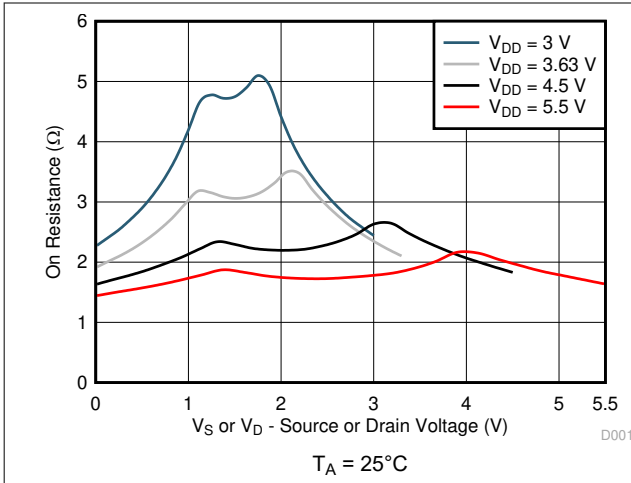
6.8 Electrical Characteristics ($V_{DD} = 1.2V \pm 10\%$) (続き)

PARAMETER		TEST CONDITIONS	TA	MIN	TYP	MAX	UNIT
V_{IH}	Input logic high		-40°C to +125°C	0.96		5.5	V
V_{IL}	Input logic low		-40°C to +125°C	0		0.36	V
I_{IH} I_{IL}	Input leakage current		25°C		±0.005		μA
I_{IH} I_{IL}	Input leakage current		-40°C to +125°C			±0.05	μA
C_{IN}	Logic input capacitance		25°C		1		pF
C_{IN}	Logic input capacitance		-40°C to +125°C			2	pF
POWER SUPPLY							
I_{DD}	V_{DD} supply current	Logic inputs = 0V or 5.5V	25°C		0.001		μA
			-40°C to +125°C			0.7	μA
DYNAMIC CHARACTERISTICS							
t_{TRAN}	Transition time between channels	$V_S = 1V$ $R_L = 200\Omega$, $C_L = 15pF$ Refer to セクション 7.4	25°C		55		ns
			-40°C to +85°C			190	ns
			-40°C to +125°C			190	ns
t_{OPEN} (BBM)	Break before make time (TMUX1123 Only)	$V_S = 1V$ $R_L = 200\Omega$, $C_L = 15pF$ Refer to セクション 7.5	25°C		28		ns
			-40°C to +85°C		1		ns
			-40°C to +125°C		1		ns
Q_C	Charge Injection	$V_S = 1V$ $R_S = 0\Omega$, $C_L = 1nF$ Refer to セクション 7.6	25°C		-0.5		pC
O_{ISO}	Off Isolation	$R_L = 50\Omega$, $C_L = 5pF$ $f = 1MHz$ Refer to セクション 7.7	25°C		-62		dB
		$R_L = 50\Omega$, $C_L = 5pF$ $f = 10MHz$ Refer to セクション 7.7	25°C		-40		dB
X_{TALK}	Crosstalk	$R_L = 50\Omega$, $C_L = 5pF$ $f = 1MHz$ Refer to セクション 7.8	25°C		-100		dB
		$R_L = 50\Omega$, $C_L = 5pF$ $f = 10MHz$ Refer to セクション 7.8	25°C		-90		dB
BW	Bandwidth	$R_L = 50\Omega$, $C_L = 5pF$ Refer to セクション 7.9	25°C		300		MHz
C_{SOFF}	Source off capacitance	$f = 1MHz$	25°C		6		pF
C_{DOFF}	Drain off capacitance	$f = 1MHz$	25°C		10		pF
C_{SON} C_{DON}	On capacitance	$f = 1MHz$	25°C		18		pF

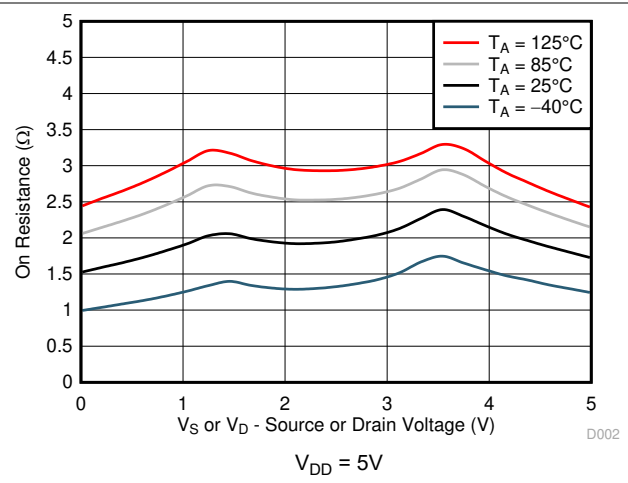
(1) When V_S is 1V, V_D is 0.8V or when V_S is 0.8V, V_D is 1V.

6.9 Typical Characteristics

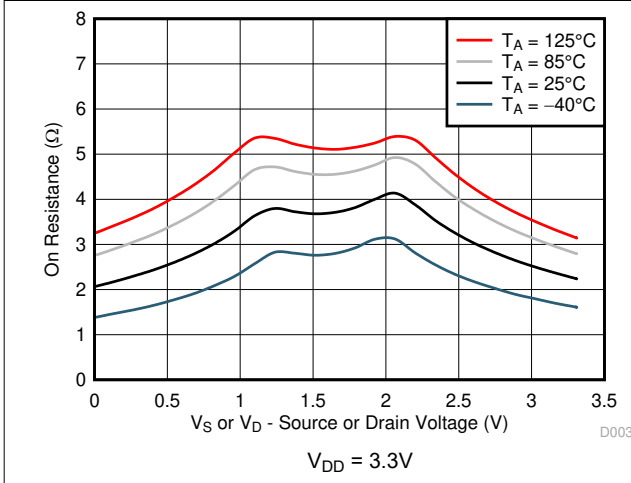
at $T_A = 25^\circ\text{C}$, $V_{DD} = 5\text{V}$ (unless otherwise noted)



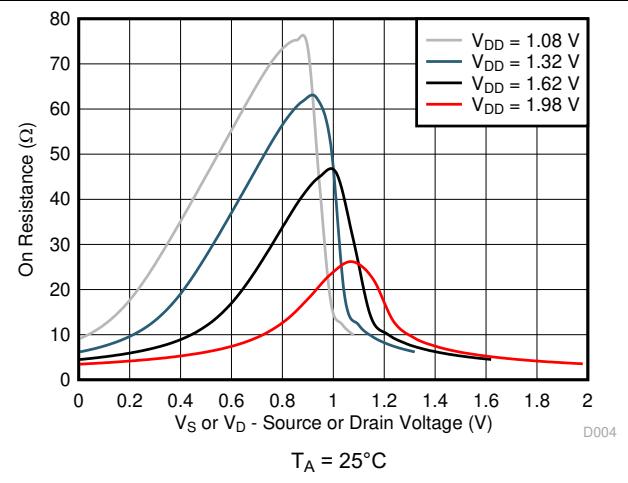
6-1. On-Resistance vs Source or Drain Voltage



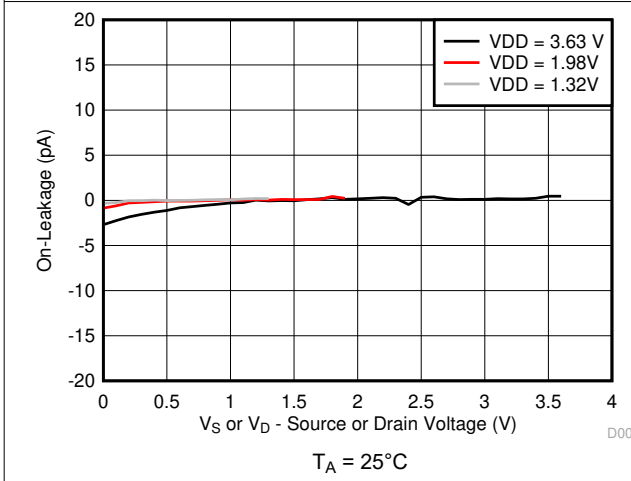
6-2. On-Resistance vs Temperature



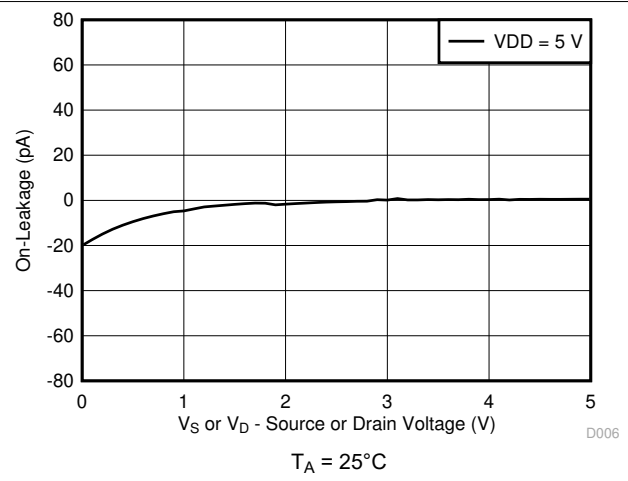
6-3. On-Resistance vs Temperature



6-4. On-Resistance vs Source or Drain Voltage



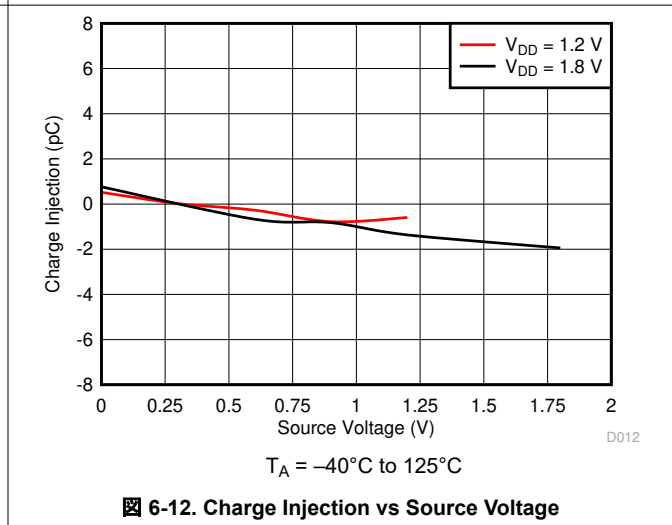
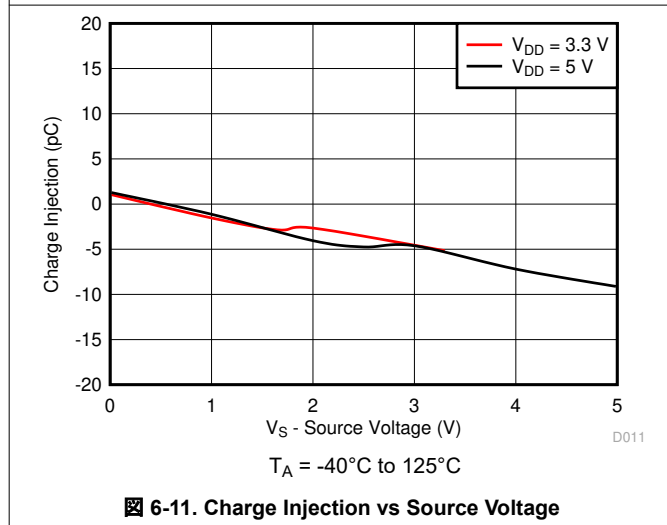
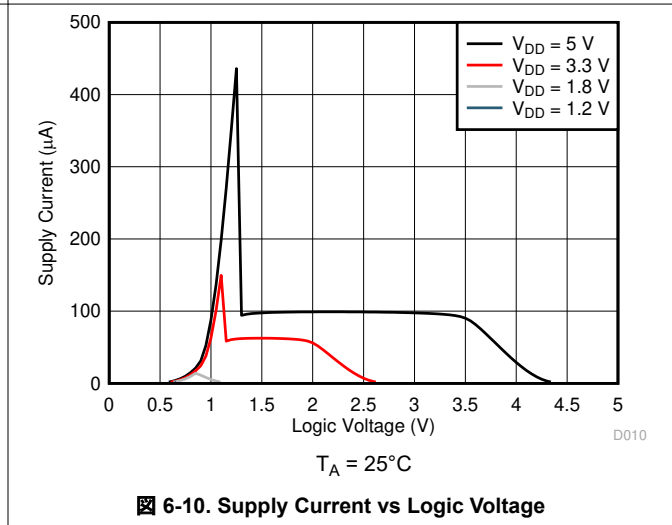
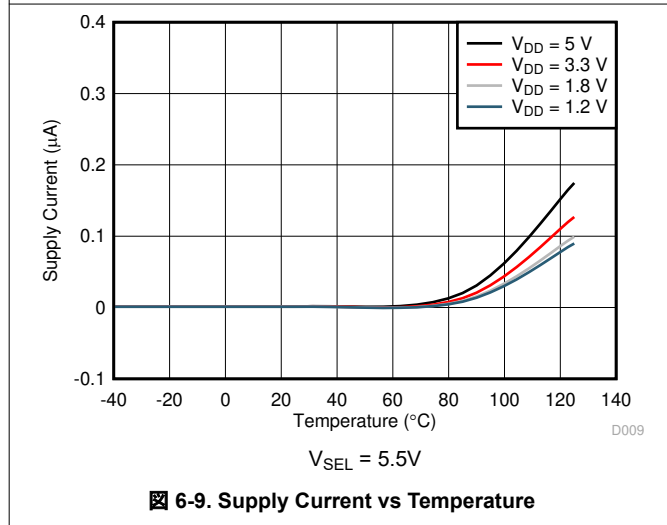
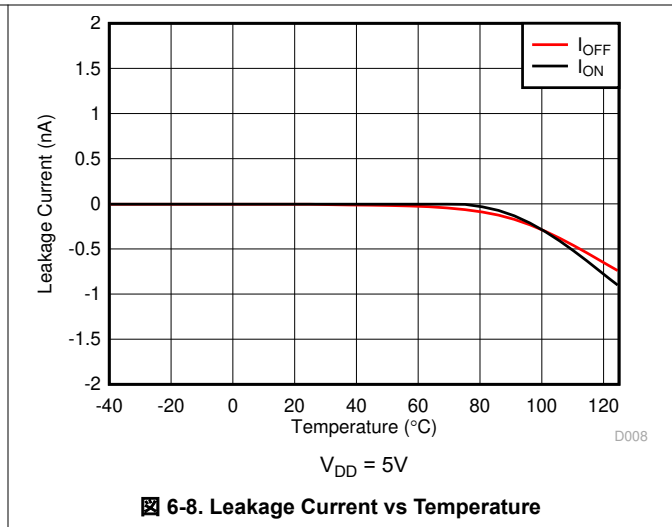
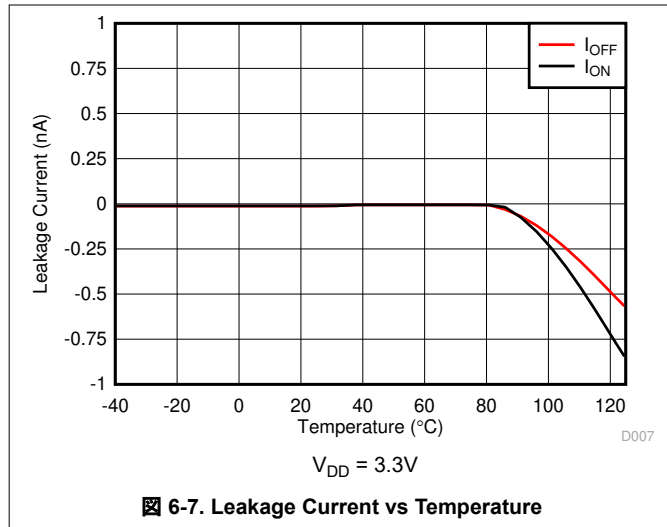
6-5. On-Leakage vs Source or Drain Voltage



6-6. On-Leakage vs Source or Drain Voltage

6.9 Typical Characteristics (continued)

at $T_A = 25^\circ\text{C}$, $V_{DD} = 5\text{V}$ (unless otherwise noted)



6.9 Typical Characteristics (continued)

at $T_A = 25^\circ\text{C}$, $V_{DD} = 5\text{V}$ (unless otherwise noted)

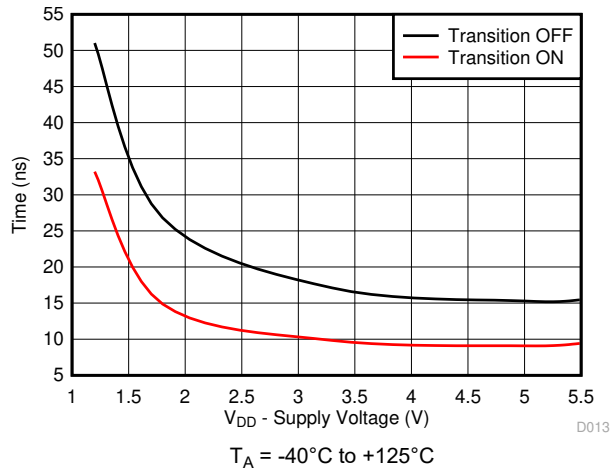


Figure 6-13. Output T_{TRANSITION} vs Supply Voltage

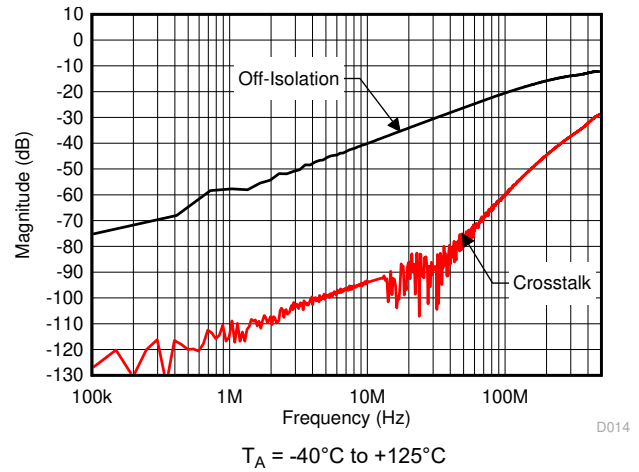


Figure 6-14. Off-Isolation vs Frequency

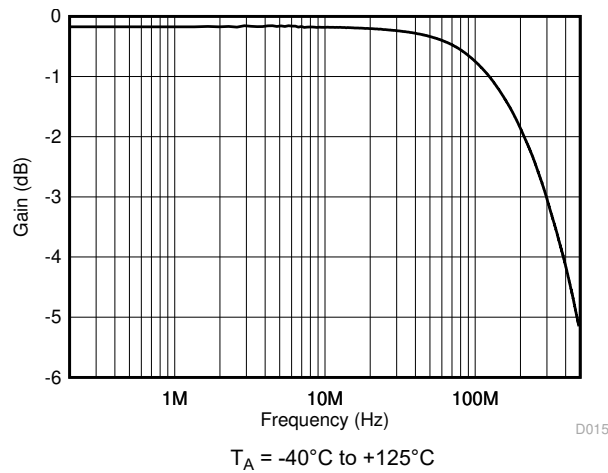


Figure 6-15. On Response vs Frequency

7 Parameter Measurement Information

7.1 On-Resistance

The on-resistance of a device is the ohmic resistance between the source (Sx) and drain (Dx) pins of the device. The on-resistance varies with input voltage and supply voltage. The symbol R_{ON} is used to denote on-resistance. The measurement setup used to measure R_{ON} is shown in [Figure 7-1](#). Voltage (V) and current (I_{SD}) are measured using this setup, and R_{ON} is computed with $R_{ON} = V / I_{SD}$:

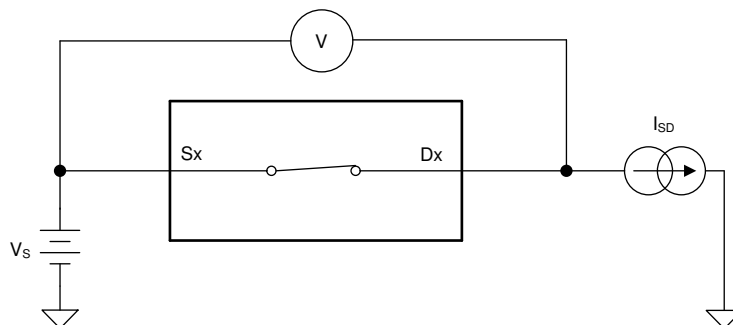


Figure 7-1. On-Resistance Measurement Setup

7.2 Off-Leakage Current

There are two types of leakage currents associated with a switch during the off state:

1. Source off-leakage current
2. Drain off-leakage current

Source leakage current is defined as the leakage current flowing into or out of the source pin when the switch is off. This current is denoted by the symbol $I_{S(OFF)}$.

Drain leakage current is defined as the leakage current flowing into or out of the drain pin when the switch is off. This current is denoted by the symbol $I_{D(OFF)}$.

The setup used to measure both off-leakage currents is shown in [Figure 7-2](#).

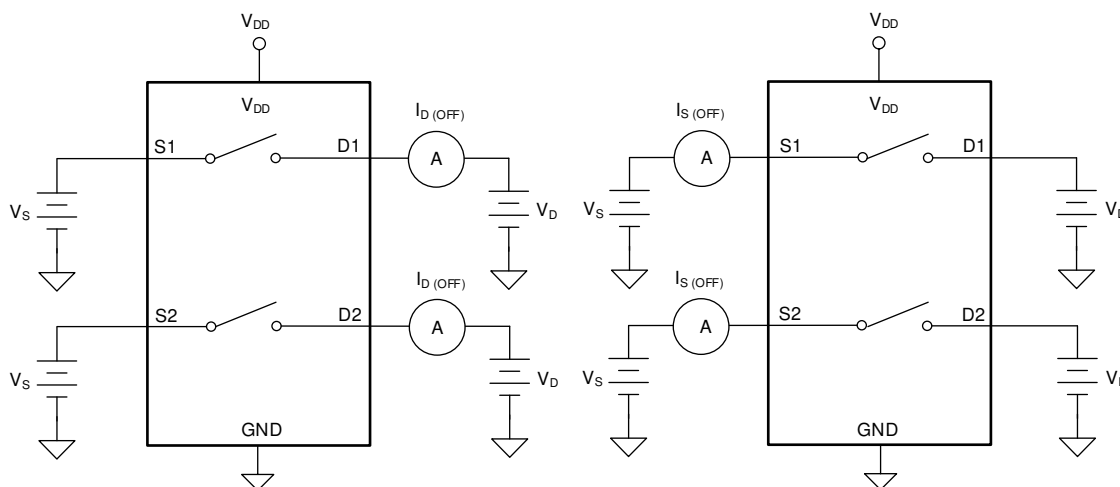
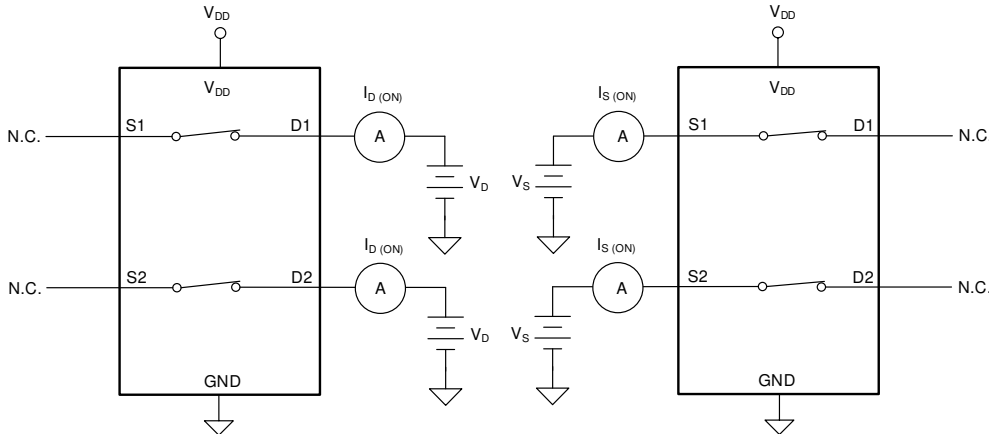


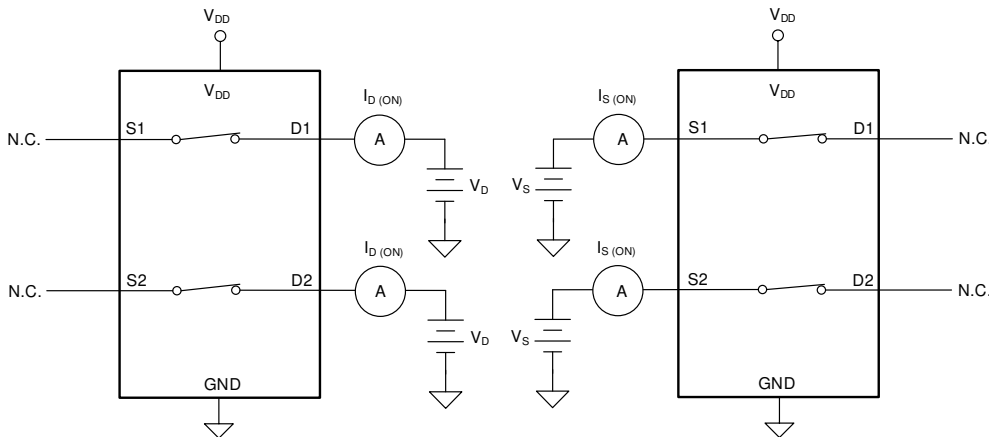
Figure 7-2. Off-Leakage Measurement Setup

7.3 On-Leakage Current

Source on-leakage current is defined as the leakage current flowing into or out of the source pin when the switch is on. This current is denoted by the symbol $I_{S(ON)}$.

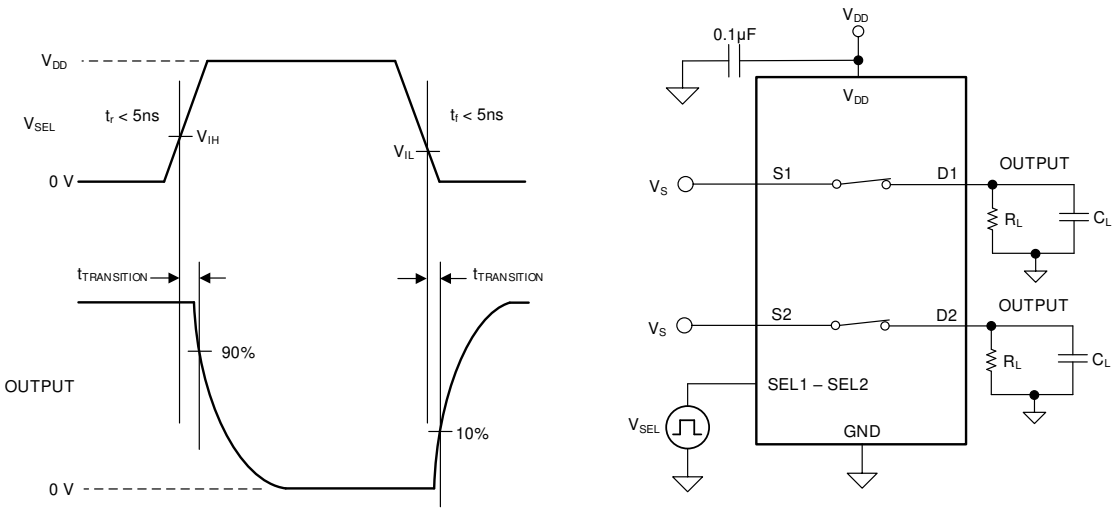
Drain on-leakage current is defined as the leakage current flowing into or out of the drain pin when the switch is on. This current is denoted by the symbol $I_{D(ON)}$.

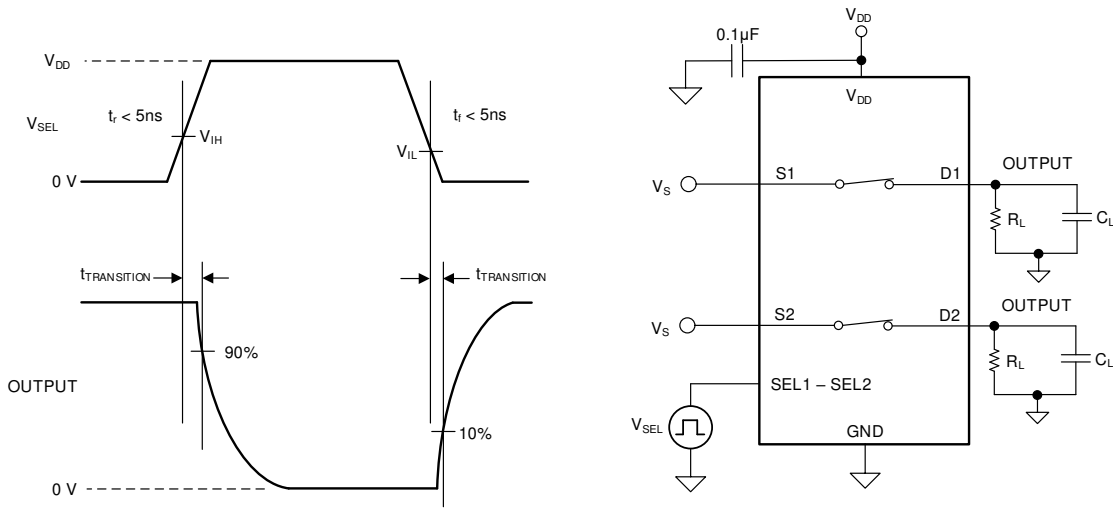
Either the source pin or drain pin is left floating during the measurement.  shows the circuit used for measuring the on-leakage current, denoted by $I_{S(ON)}$ or $I_{D(ON)}$.



 7-3. On-Leakage Measurement Setup

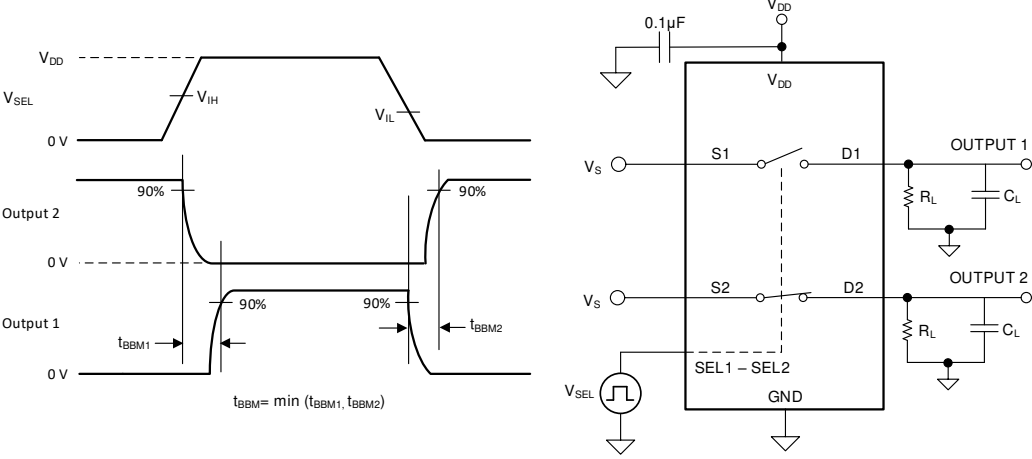
7.4 Transition time

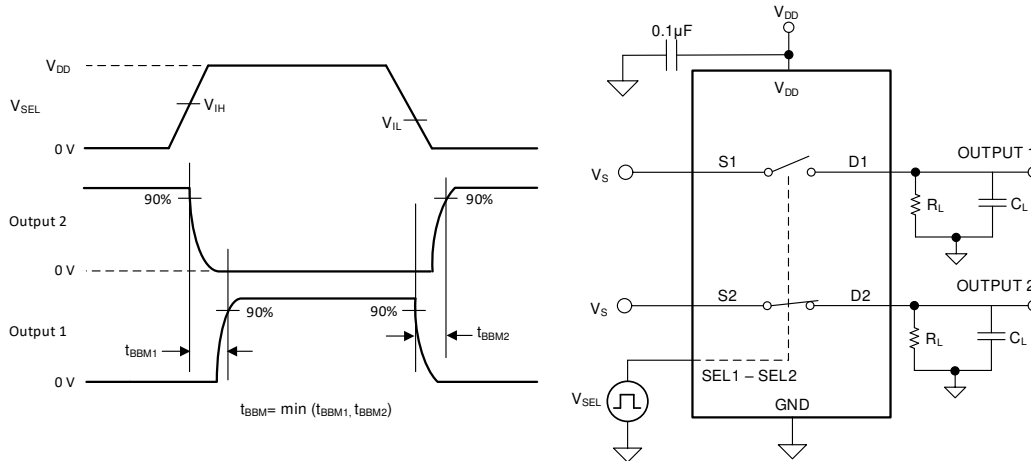
Transition time is defined as the time taken by the output of the device to rise or fall 10% after the address signal has risen or fallen past the logic threshold. The 10% transition measurement is utilized to provide the timing of the device. System level timing can then account for the time constant added from the load resistance and load capacitance.  shows the setup used to measure transition time, denoted by the symbol $t_{TRANSITION}$.



 7-4. Transition-Time Measurement Setup

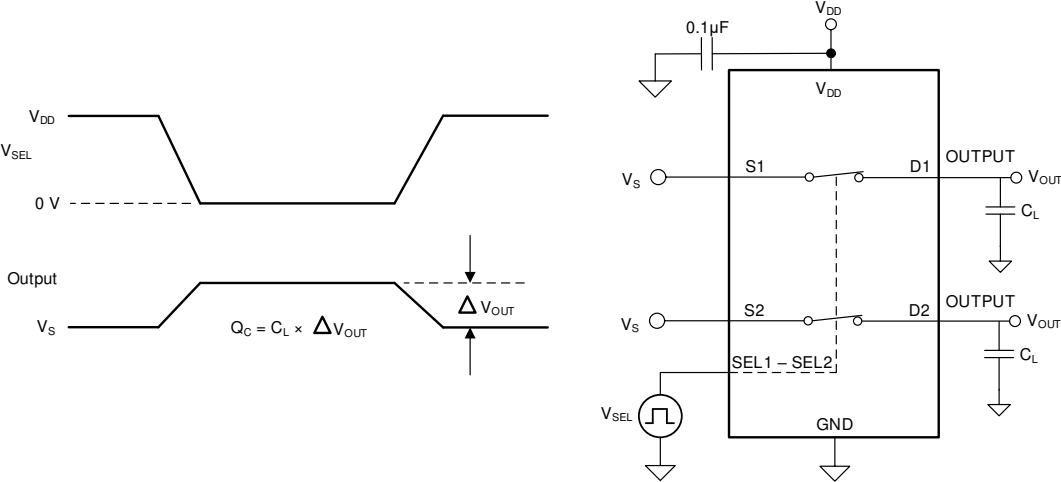
7.5 Break-Before-Make

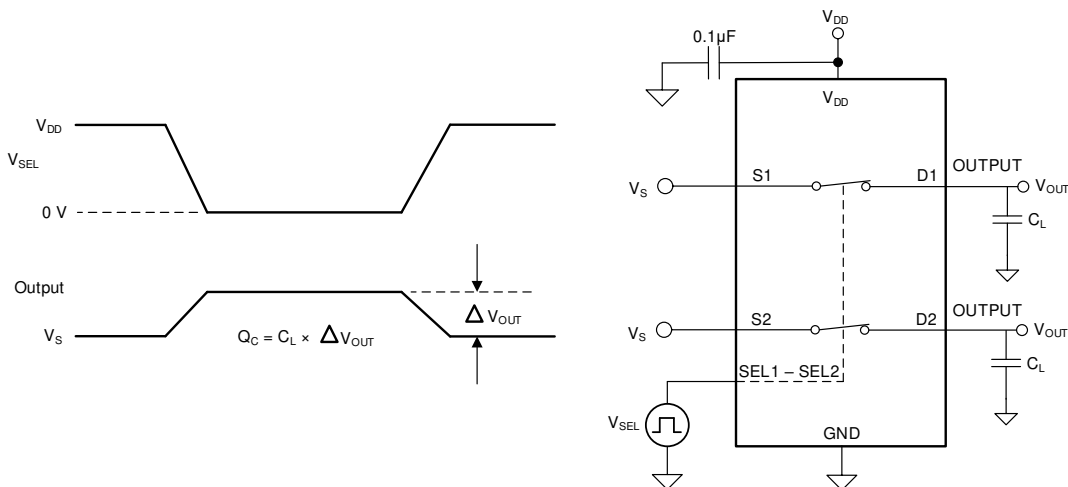
The TMUX1123 has break-before-make delay which allows the device to be used in cross-point switching application. The output first breaks from the on-state switch before making the connection with the next on-state switch. The time delay between the *break* and the *make* is known as break-before-make delay.  7-5 shows the setup used to measure break-before-make delay, denoted by the symbol $t_{\text{OPEN(BBM)}}$.



 7-5. Break-Before-Make Delay Measurement Setup

7.6 Charge Injection

The TMUX112x devices have a transmission-gate topology. Any mismatch in capacitance between the NMOS and PMOS transistors results in a charge injected into the drain or source during the falling or rising edge of the gate signal. The amount of charge injected into the source or drain of the device is known as charge injection, and is denoted by the symbol Q_C .  7-6 shows the setup used to measure charge injection from source (S_x) to drain (D_x).



 7-6. Charge-Injection Measurement Setup

7.7 Off Isolation

Off isolation is defined as the ratio of the signal at the drain pin (Dx) of the device when a signal is applied to the source pin (Sx) of an off-channel. The characteristic impedance, Z_0 , for the measurement is 50Ω . [Figure 7-7](#) shows the setup used to measure off isolation. Use off isolation equation to compute off isolation.

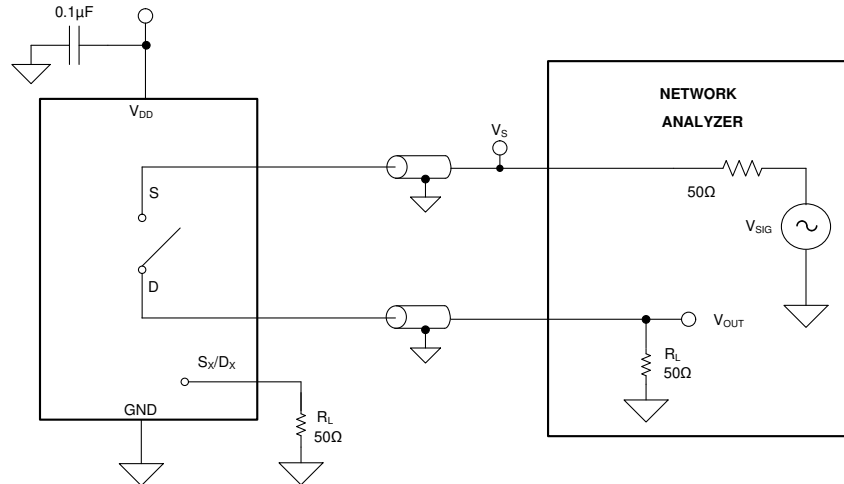


Figure 7-7. Off Isolation Measurement Setup

$$\text{Off Isolation} = 20 \cdot \text{Log} \left(\frac{V_{\text{OUT}}}{V_{\text{S}}} \right) \quad (1)$$

7.8 Channel-to-Channel Crosstalk

Crosstalk is defined as the ratio of the signal at the drain pin (Dx) of a different channel, when a signal is applied at the source pin (Sx) of an on-channel. The characteristic impedance, Z_0 , for the measurement is 50Ω . [Figure 7-8](#) shows the setup used to measure, and the equation used to compute crosstalk.

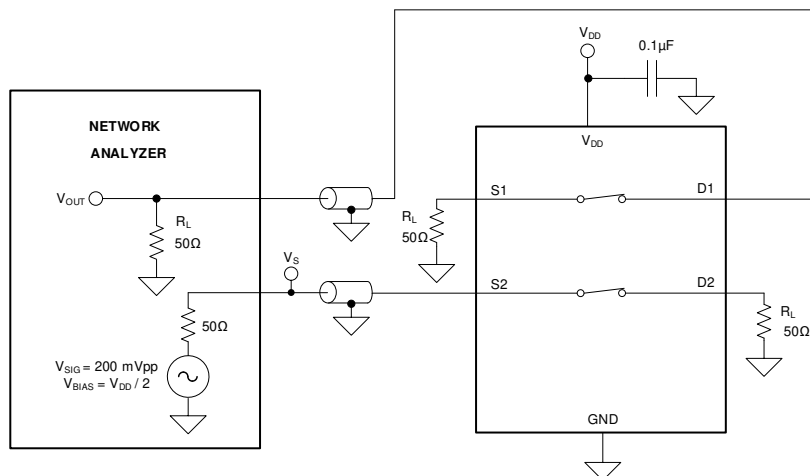

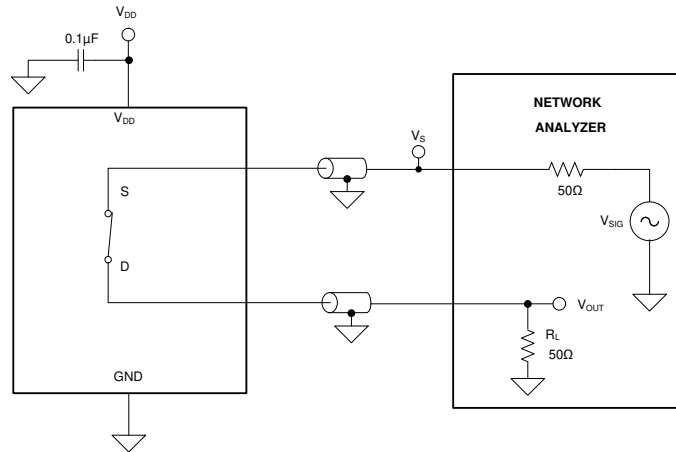


Figure 7-8. Channel-to-Channel Crosstalk Measurement Setup

$$\text{Channel-to-Channel Crosstalk} = 20 \cdot \text{Log} \left(\frac{V_{\text{OUT}}}{V_{\text{S}}} \right) \quad (2)$$

7.9 Bandwidth

Bandwidth is defined as the range of frequencies that are attenuated by less than 3dB when the input is applied to the source pin (Sx) of an on-channel, and the output is measured at the drain pin (Dx) of the device. The characteristic impedance, Z_0 , for the measurement is 50Ω.  7-9 shows the setup used to measure bandwidth.



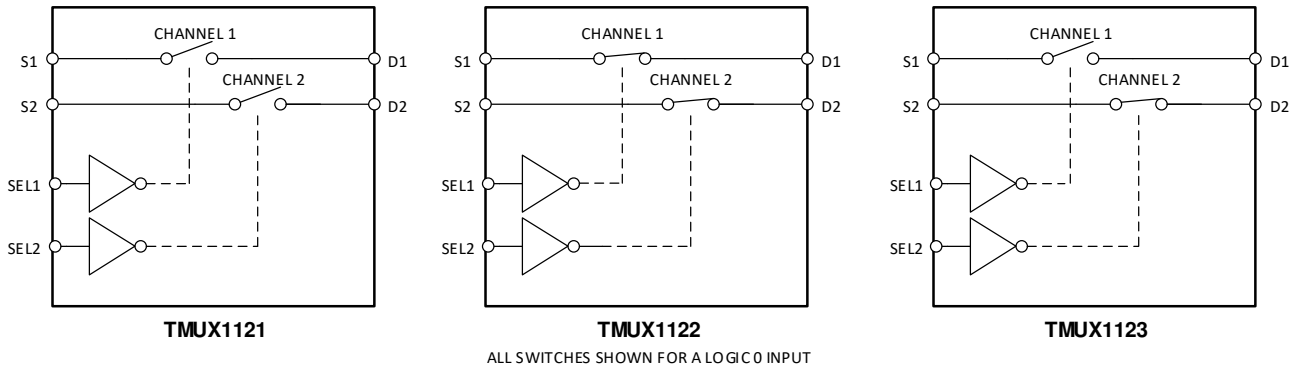
 7-9. Bandwidth Measurement Setup

8 Detailed Description

8.1 Overview

The TMUX1121, TMUX1122, and TMUX1123 are 1:1 (SPST), 2-Channel switches. The devices have two independently selectable single-pole, single-throw switches that are turned-on or turned-off based on the state of the corresponding select pin.

8.2 Functional Block Diagram



8.3 Feature Description

8.3.1 Bidirectional Operation

The TMUX112x conducts equally well from source (Sx) to drain (Dx) or from drain (Dx) to source (Sx). Each channel has very similar characteristics in both directions and supports both analog and digital signals.

8.3.2 Rail-to-Rail Operation

The valid signal path input/output voltage for TMUX112x ranges from GND to V_{DD} .

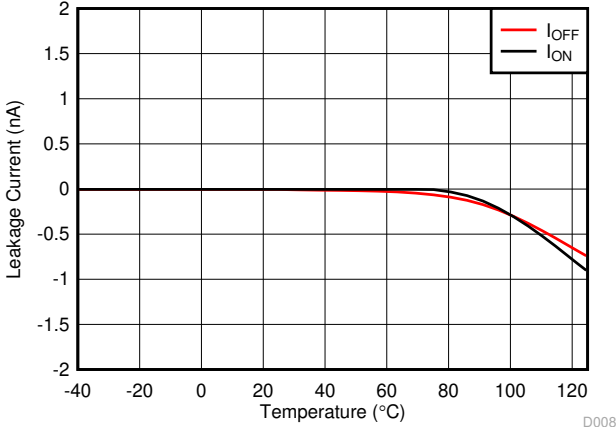
8.3.3 1.8V Logic Compatible Inputs

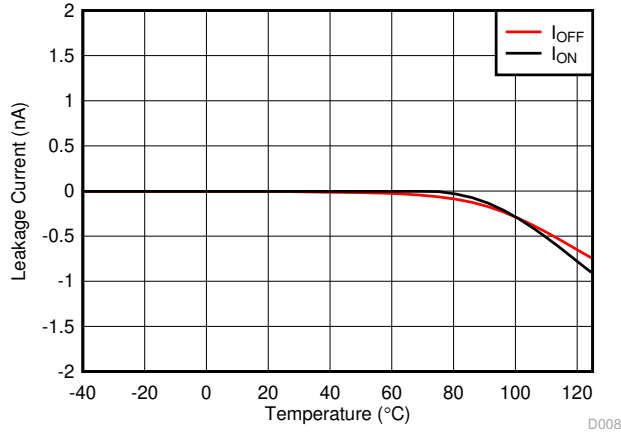
The TMUX112x devices have 1.8V logic compatible control for all logic control inputs. The logic input thresholds scale with supply, but still provide 1.8V logic control when operating at 5.5V supply voltage. 1.8V logic level inputs allows the TMUX112x devices to interface with processors that have lower logic I/O rails and eliminates the need for an external translator, which saves both space and BOM cost. The current consumption of the TMUX112x devices increase when using 1.8V logic with higher supply voltage as shown in [Figure 6-10](#). For more information on 1.8V logic implementations refer to [Simplifying Design with 1.8V logic Muxes and Switches](#)

8.3.4 Fail-Safe Logic

The TMUX112x supports Fail-Safe Logic on the control input pins (EN, A0, A1) allowing for operation up to 5.5V, regardless of the state of the supply pin. This feature allows voltages on the control pins to be applied before the supply pin, protecting the device from potential damage. Fail-Safe Logic minimizes system complexity by removing the need for power supply sequencing on the logic control pins. For example, the Fail-Safe Logic feature allows the select pins of the TMUX112x to be ramped to 5.5V while $V_{DD} = 0V$. Additionally, the feature enables operation of the TMUX112x with $V_{DD} = 1.2V$ while allowing the select pins to interface with a logic level of another device up to 5.5V.

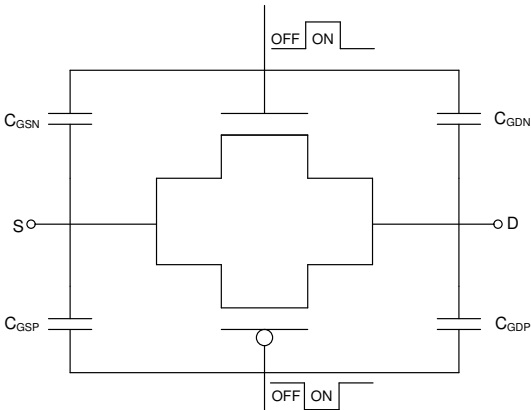
8.3.5 Ultra-Low Leakage Current

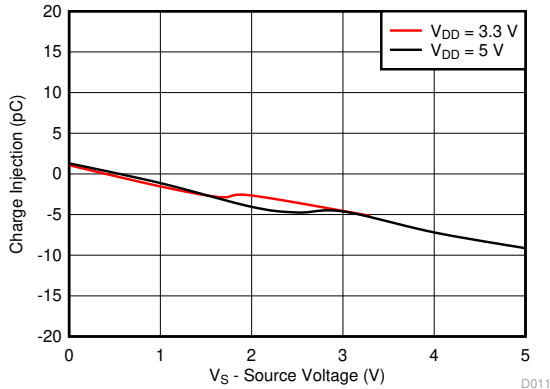
The TMUX112x devices provide extremely low on-leakage and off-leakage currents. The TMUX112x devices are capable of switching signals from high source-impedance inputs into a high input-impedance op amp with minimal offset error because of the ultra-low leakage currents.  8-1 shows typical leakage currents of the TMUX112x devices versus temperature at $V_{DD} = 5V$.

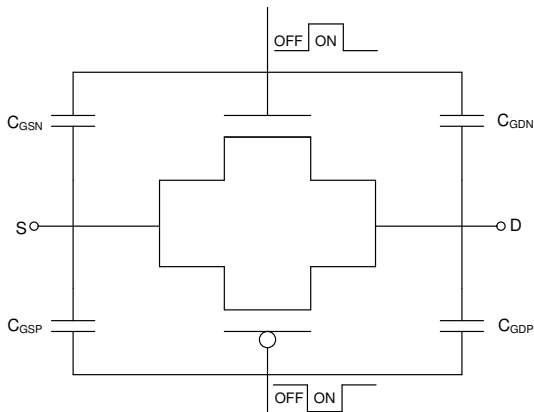


 8-1. Leakage Current vs Temperature

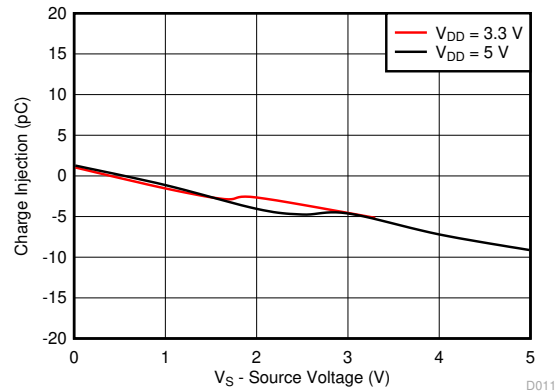
8.3.6 Ultra-Low Charge Injection

The TMUX112x devices have a transmission gate topology, as shown in  8-2. Any mismatch in the stray capacitance associated with the NMOS and PMOS causes an output level change whenever the switch is opened or closed.

The TMUX112x devices have special charge-injection cancellation circuitry that reduces the source-to-drain charge injection to -1.5pC at $V_S = 1V$ as shown in  8-3.



 8-2. Transmission Gate Topology



 8-3. Charge Injection vs Source Voltage

8.4 Device Functional Modes

The TMUX112x devices have two independently selectable single-pole, single-throw switches that are turned-on or turned-off based on the state of the corresponding select pin. The control pins can be as high as 5.5V.

The TMUX112x devices can be operated without any external components except for the supply decoupling capacitors. Unused logic control pins should be tied to GND or V_{DD} so that the device does not consume additional current as highlighted in *Implications of Slow or Floating CMOS Inputs*. Unused signal path inputs (Sx or Dx) should be connected to GND.

8.4.1 Truth Tables

表 8-1, 表 8-2, and 表 8-3 list the truth tables for the TMUX1121, TMUX1122, and TMUX1123, respectively.

表 8-1. TMUX1121 Truth Table

SEL1 ⁽¹⁾	SEL2	CHANNEL STATE
0	X	Channel 1 OFF
1	X	Channel 1 ON
X	0	Channel 2 OFF
X	1	Channel 2 ON

表 8-2. TMUX1122 Truth Table

SEL1	SEL2	CHANNEL STATE
0	X	Channel 1 ON
1	X	Channel 1 OFF
X	0	Channel 2 ON
X	1	Channel 2 OFF

表 8-3. TMUX1123 Truth Table

SEL1	SEL2	CHANNEL STATE
0	X	Channel 1 OFF
1	X	Channel 1 ON
X	0	Channel 2 ON
X	1	Channel 2 OFF

(1) X denotes *do not care*.

9 Application and Implementation


注

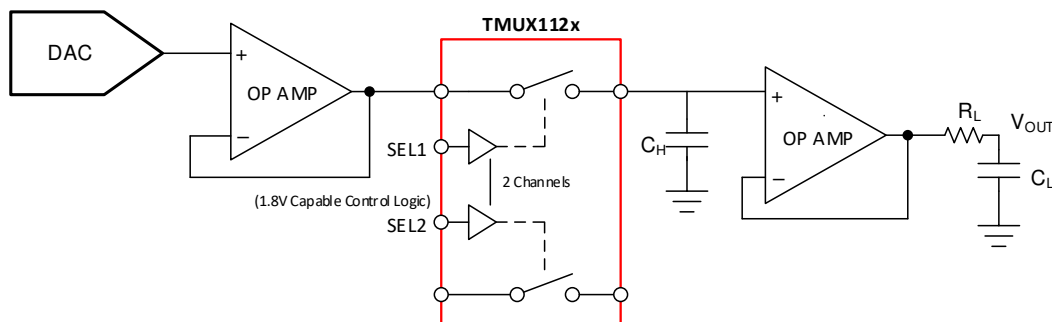
以下のアプリケーション情報は、テキサス・インスツルメンツの製品仕様に含まれるものではなく、テキサス・インスツルメンツはその正確性も完全性も保証いたしません。個々の目的に対する製品の適合性については、お客様の責任で判断していただくことになります。また、お客様は自身の設計実装を検証しテストすることで、システムの機能を確認する必要があります。

9.1 Application Information

The TMUX11xx family offers ultra-low input/output leakage currents and low charge injection. These devices operate up to 5.5V, and offer true rail-to-rail input and output of both analog and digital signals. The TMUX112x have a low on-capacitance which allows faster settling time when multiplexing inputs in the time domain. These features make the TMUX11xx devices a family of precision, high-performance switches and multiplexers for low-voltage applications.


9.2 Typical Application - Sample-and-Hold Circuit

One useful application to take advantage of the TMUX1121, TMUX1122, and TMUX1123 performance is the sample-and-hold circuit. A sample-and-hold circuit can be useful for an analog to digital converter (ADC) to sample a varying input voltage with improved reliability and stability. It can also be used to store the output samples from a single digital-to-analog converter (DAC) in a multi-output application. A simple sample-and-hold circuit can be realized using an analog switch such as the TMUX1121, TMUX1122, and TMUX1123 analog switches.  9-1 shows a single channel sample-and hold circuit using only 1 of 2 channels in the TMUX112x devices.



 9-1. Single Channel Sample-and-Hold Circuit Example

An optional operational amplifier is used before the switch since buffered DACs typically have limitations in driving capacitive loads. The additional buffer stage is included following the DAC to prevent potential stability problems from driving a large capacitive load.

Ideally, the switch delivers only the input signals to the holding capacitors. However, when the switch gets toggled, some amount of charge also gets transferred to the switch output in the form of charge injection, resulting in a pedestal sampling error. The TMUX1121, TMUX1122, and TMUX1123 switches have excellent charge injection performance of only -1.5pC, making them an excellent choice for minimizing sampling errors in this implementation. The pedestal error voltage is indirectly related to the size of the capacitance on the output, for better precision a larger capacitor is required due to charge injection. Larger capacitance limits the system settling time which may not be acceptable in some applications.  9-2 shows a TMUX112x device configured for a 2-channel sample-and-hold circuit with pedestal error compensation.

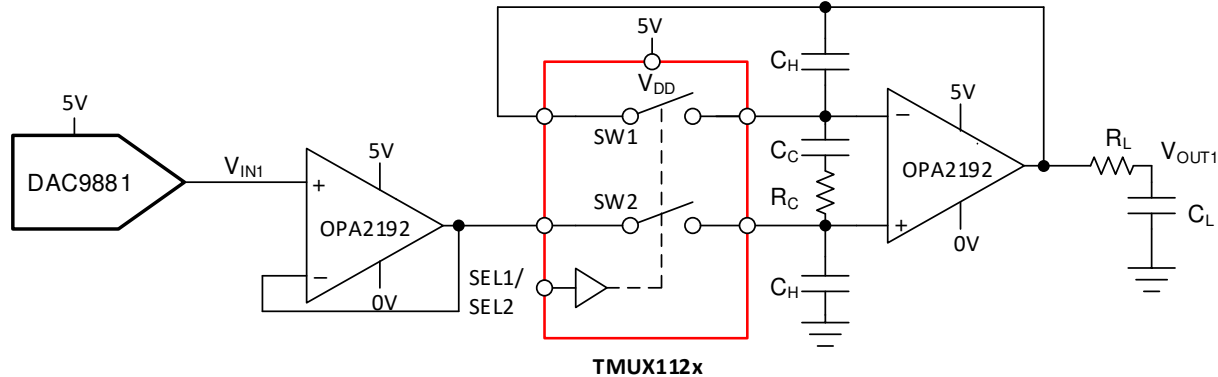


図 9-2. 2-Channel Sample-and-Hold Circuit with Pedestal Error Compensation

9.2.1 Design Requirements

The purpose of this precision design is to implement an optimized 2-output sample-and-hold circuit using a 2-channel 1:1 (SPST) switch. The sample and hold circuit needs to be capable of supporting high accuracy with minimized pedestal error and fast settling time.

9.2.2 Detailed Design Procedure

The TMUX1121, TMUX1122, or TMUX1123 switch is used in conjunction with the voltage holding capacitors (C_H) to implement the sample-and-hold circuit. The basic operation is:

1. When the switch (SW2) is closed, it samples the input voltage and charges the holding capacitors (C_H) to the input voltages values.
2. When the switch (SW2) is open, the holding capacitors (C_H) holds its previous value, maintaining stable voltage at the amplifier output (V_{OUT}).

Due to switch and capacitor leakage current, as well as amplifier bias current, the voltage on the hold capacitors droops with time. The TMUX1121, TMUX1122, or TMUX1123 minimize the droops due to its ultra-low leakage performance. At 25°C, the TMUX1121, TMUX1122, and TMUX1123 have extremely low leakage current at 3pA typical.

A second switch SW1 is also included to operate in parallel with SW2 to reduce pedestal error during switch toggling. Because both switches are driven at the same potential, they act as common-mode signal to the op-amp, thereby minimizing the charge injection effects caused by the switch toggling action. Compensation network consisting of R_C and C_C is also added to further reduce the pedestal error, while reducing the hold-time glitch and improving the settling time of the circuit. Refer to [Sample and Hold Glitch Reduction for Precision Outputs Reference Design](#) for more information on sample-and-hold circuits.

9.2.3 Application Curve

TMUX1121, TMUX1122, and TMUX1123 have excellent charge injection performance and ultra-low leakage current, making them ideal choices to minimize sampling error for the sample and hold application.

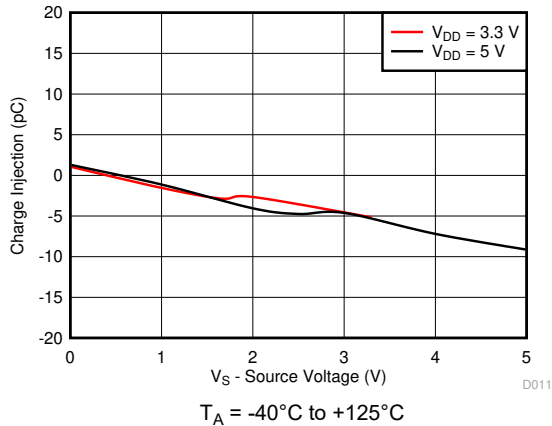


图 9-3. Charge Injection vs Source Voltage

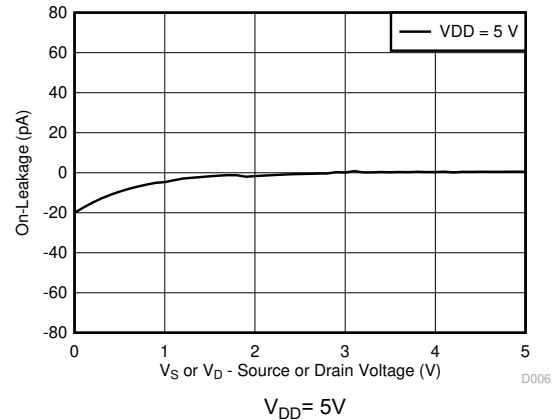


图 9-4. On-Leakage vs Source or Drain Voltage

9.3 Typical Application - Switched Gain Amplifier

Switches and multiplexers are commonly used in the feedback path of amplifier circuits to provide configurable gain control. By using various resistor values on each switch path, the TMUX112x allows the system to have multiple gain settings. An external resistor, or utilizing 1 channel that is always closed, causes the amplifier to not operate in an open loop configuration. A transimpedance amplifier (TIA) for photodiode inputs is a common circuit that requires gain control using a multi-channel switch to convert the output current of the photodiode into a voltage for the MCU or processor. The leakage current, capacitance, and charge injection performance of the TMUX112x are key specifications to evaluate when selecting a device for gain control.

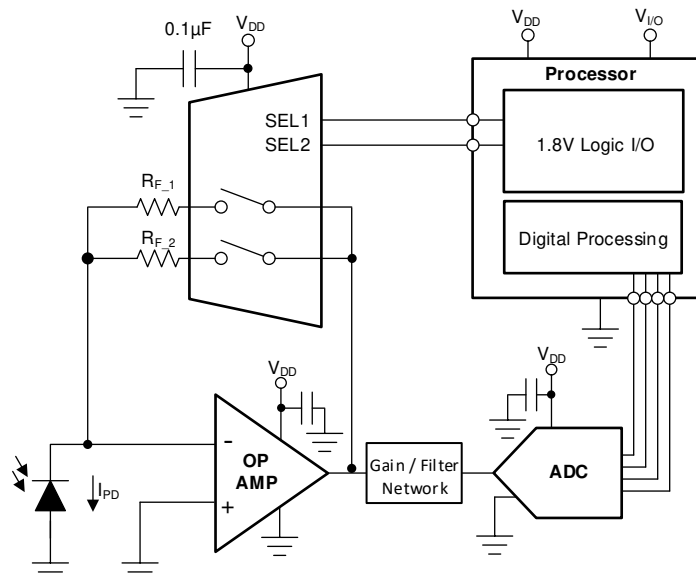


图 9-5. Switching Gain Settings of a TIA Circuit

9.3.1 Design Requirements

For this design example, use the parameters listed in 表 9-1.

表 9-1. Design parameters

PARAMETERS	VALUES
Supply (V _{DD})	3.3V
Input / Output signal range	0 μ A to 10 μ A
Control logic thresholds	1.8V compatible

9.3.2 Detailed Design Procedure

The TMUX112x devices can be operated without any external components except for the supply decoupling capacitors. All inputs signals passing through the switch must fall within the recommend operating conditions of the TMUX112x including signal range and continuous current. For this design example, with a supply of 3.3V, the signals can range from 0V to 3.3V when the device is powered. The maximum continuous current can be 30mA.

Photodiodes commonly have a current output that ranges from a few hundred picoamps to tens of microamps based on the amount of light being absorbed. The TMUX112x have a typical On-leakage current of less than 10pA which would lead to an accuracy well within 1% of a full scale 10 μ A signal. The low ON and OFF capacitance of the TMUX112x improves system stability by minimizing the total capacitance on the output of the amplifier. Lower capacitance leads to less overshoot and ringing in the system which can cause the amplifier circuit to go unstable if the phase margin is not at least 45°. Refer to [Improve Stability Issues with Low C_{ON} Multiplexers](#) for more information on calculating the phase margin versus percent overshoot.

9.3.3 Application Curve

The TMUX1121 is capable of switching signals from high source-impedance inputs into a high input-impedance op amp with minimal offset error because of the ultra-low leakage currents.

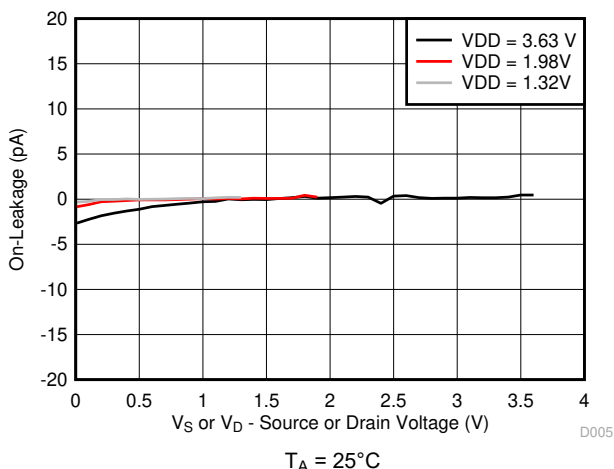


図 9-6. On-Leakage vs Source or Drain Voltage

9.4 Power Supply Recommendations

The TMUX112x operate across a wide supply range of 1.08V to 5.5V. Do not exceed the absolute maximum ratings because stresses beyond the listed ratings can cause permanent damage to the devices.

Power-supply bypassing improves noise margin and prevents switching noise propagation from the V_{DD} supply to other components. Good power-supply decoupling is important to achieve optimum performance. For improved supply noise immunity, use a supply decoupling capacitor ranging from 0.1 μF to 10 μF from V_{DD} to ground. Place the bypass capacitors as close to the power supply pins of the device as possible using low-impedance connections. TI recommends using multi-layer ceramic chip capacitors (MLCCs) that offer low equivalent series resistance (ESR) and inductance (ESL) characteristics for power-supply decoupling purposes. For very sensitive systems, or for systems in harsh noise environments, avoiding the use of vias for connecting the capacitors to the device pins may offer superior noise immunity. The use of multiple vias in parallel lowers the overall inductance and is beneficial for connections to ground planes.

9.5 Layout

9.5.1 Layout Guidelines

When a PCB trace turns a corner at a 90° angle, a reflection can occur. A reflection occurs primarily because of the change of width of the trace. At the apex of the turn, the trace width increases to 1.414 times the width. This increase upsets the transmission-line characteristics, especially the distributed capacitance and self-inductance of the trace which results in the reflection. Not all PCB traces can be straight, and therefore; some traces must turn corners. [Figure 9-7](#) shows progressively better techniques of rounding corners. Only the last example (BEST) maintains constant trace width and minimizes reflections.

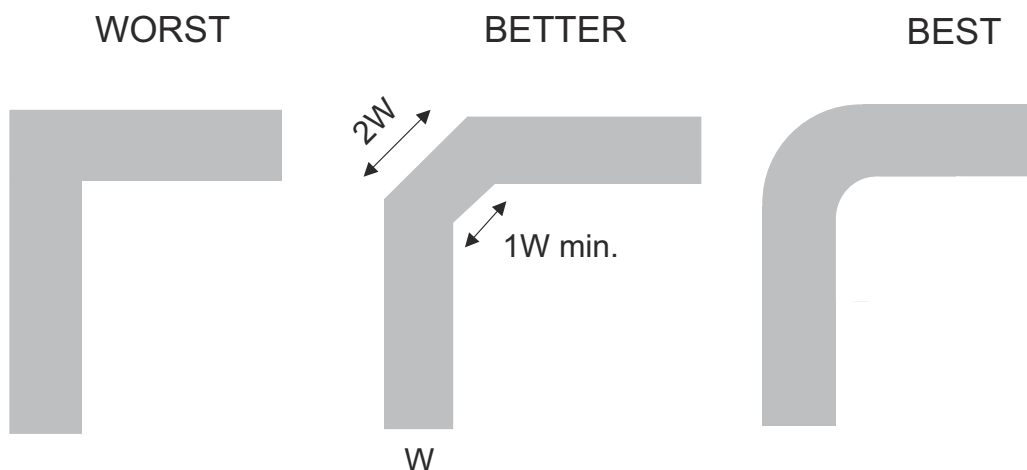


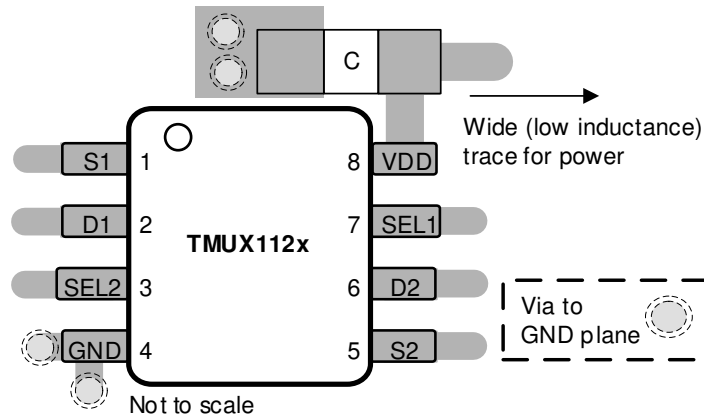
Figure 9-7. Trace Example

Route high-speed signals using a minimum of vias and corners which reduces signal reflections and impedance changes. When a via must be used, increase the clearance size around it to minimize its capacitance. Each via introduces discontinuities in the signal's transmission line and increases the chance of picking up interference from the other layers of the board. Be careful when designing test points, through-hole pins are not recommended at high frequencies.

☒ 9-8 shows an example of a PCB layout with the TMUX112x. Some key considerations are:

- Decouple the V_{DD} pin with a 0.1 μF capacitor, placed as close to the pin as possible. Ensure that the capacitor voltage rating is sufficient for the V_{DD} supply.
- Keep the input lines as short as possible.
- Use a solid ground plane to help reduce electromagnetic interference (EMI) noise pickup.
- Do not run sensitive analog traces in parallel with digital traces. Avoid crossing digital and analog traces if possible, and only make perpendicular crossings when necessary.

9.5.2 Layout Example



☒ 9-8. TMUX112x Layout Example

10 Device and Documentation Support

10.1 Documentation Support

10.1.1 Related Documentation

For related documentation, see the following:

- Texas Instruments, [Sample and Hold Glitch Reduction for Precision Outputs Reference Design](#).
- Texas Instruments, [True Differential, 4 x 2 MUX, Analog Front End, Simultaneous-Sampling ADC Circuit](#).
- Texas Instruments, [Improve Stability Issues with Low CON Multiplexers](#).
- Texas Instruments, [Simplifying Design with 1.8V logic Muxes and Switches](#).
- Texas Instruments, [Eliminate Power Sequencing with Powered-off Protection Signal Switches](#).
- Texas Instruments, [System-Level Protection for High-Voltage Analog Multiplexers](#).

10.2 ドキュメントの更新通知を受け取る方法

ドキュメントの更新についての通知を受け取るには、www.tij.co.jp のデバイス製品フォルダを開いてください。[通知] をクリックして登録すると、変更されたすべての製品情報に関するダイジェストを毎週受け取ることができます。変更の詳細については、改訂されたドキュメントに含まれている改訂履歴をご覧ください。

10.3 サポート・リソース

テキサス・インスツルメンツ E2E™ サポート・フォーラムは、エンジニアが検証済みの回答と設計に関するヒントをエキスパートから迅速かつ直接得ることができる場所です。既存の回答を検索したり、独自の質問をしたりすることで、設計に必要な支援を迅速に得ることができます。

リンクされているコンテンツは、各寄稿者により「現状のまま」提供されるものです。これらはテキサス・インスツルメンツの仕様を構成するものではなく、必ずしもテキサス・インスツルメンツの見解を反映したものではありません。テキサス・インスツルメンツの[使用条件](#)を参照してください。

10.4 Trademarks

テキサス・インスツルメンツ E2E™ is a trademark of Texas Instruments.

すべての商標は、それぞれの所有者に帰属します。

10.5 静電気放電に関する注意事項



この IC は、ESD によって破損する可能性があります。テキサス・インスツルメンツは、IC を取り扱う際には常に適切な注意を払うことを推奨します。正しい取り扱いおよび設置手順に従わない場合、デバイスを破損するおそれがあります。

ESD による破損は、わずかな性能低下からデバイスの完全な故障まで多岐にわたります。精密な IC の場合、パラメータがわずかに変化するだけで公表されている仕様から外れる可能性があるため、破損が発生しやすくなっています。

10.6 用語集

[テキサス・インスツルメンツ用語集](#) この用語集には、用語や略語の一覧および定義が記載されています。

11 Revision History

資料番号末尾の英字は改訂を表しています。その改訂履歴は英語版に準じています。

Changes from Revision A (September 2019) to Revision B (February 2024) Page

- | | |
|--|---|
| • Updated Is or Id (Continuous Current) values..... | 4 |
| • Added Ipeak values to <i>Recommended Operating Conditions</i> table..... | 4 |

Changes from Revision * (August 2019) to Revision A (September 2019) Page

- | | |
|--|---|
| • ドキュメントのステータスを次のように変更: 事前情報から「量産データ」に変更 | 1 |
|--|---|

12 Mechanical, Packaging, and Orderable Information

The following pages include mechanical, packaging, and orderable information. This information is the most current data available for the designated devices. This data is subject to change without notice and revision of this document. For browser-based versions of this data sheet, refer to the left-hand navigation.

重要なお知らせと免責事項

テキサス・インスツルメンツは、技術データと信頼性データ(データシートを含みます)、設計リソース(リファレンス デザインを含みます)、アプリケーションや設計に関する各種アドバイス、Web ツール、安全性情報、その他のリソースを、欠陥が存在する可能性のある「現状のまま」提供しており、商品性および特定目的に対する適合性の黙示保証、第三者の知的財産権の非侵害保証を含むいかなる保証も、明示的または黙示的にかかわらず拒否します。

これらのリソースは、テキサス・インスツルメンツ製品を使用する設計の経験を積んだ開発者への提供を意図したものです。(1) お客様のアプリケーションに適したテキサス・インスツルメンツ製品の選定、(2) お客様のアプリケーションの設計、検証、試験、(3) お客様のアプリケーションに該当する各種規格や、その他のあらゆる安全性、セキュリティ、規制、または他の要件への確実な適合に関する責任を、お客様のみが単独で負うものとします。

上記の各種リソースは、予告なく変更される可能性があります。これらのリソースは、リソースで説明されているテキサス・インスツルメンツ製品を使用するアプリケーションの開発の目的でのみ、テキサス・インスツルメンツはその使用をお客様に許諾します。これらのリソースに関して、他の目的で複製することや掲載することは禁止されています。テキサス・インスツルメンツや第三者の知的財産権のライセンスが付与されている訳ではありません。お客様は、これらのリソースを自身で使用した結果発生するあらゆる申し立て、損害、費用、損失、責任について、テキサス・インスツルメンツおよびその代理人を完全に補償するものとし、テキサス・インスツルメンツは一切の責任を拒否します。

テキサス・インスツルメンツの製品は、[テキサス・インスツルメンツの販売条件](#)、または [ti.com](https://www.ti.com) やかかるテキサス・インスツルメンツ製品の関連資料などのいずれかを通じて提供する適用可能な条項の下で提供されています。テキサス・インスツルメンツがこれらのリソースを提供することは、適用されるテキサス・インスツルメンツの保証または他の保証の放棄の拡大や変更を意味するものではありません。

お客様がいかなる追加条項または代替条項を提案した場合でも、テキサス・インスツルメンツはそれらに異議を唱え、拒否します。

郵送先住所: Texas Instruments, Post Office Box 655303, Dallas, Texas 75265
Copyright © 2024, Texas Instruments Incorporated

PACKAGING INFORMATION

Orderable Device	Status (1)	Package Type	Package Drawing	Pins	Package Qty	Eco Plan (2)	Lead finish/ Ball material (6)	MSL Peak Temp (3)	Op Temp (°C)	Device Marking (4/5)	Samples
TMUX1121DGKR	ACTIVE	VSSOP	DGK	8	2500	RoHS & Green	NIPDAUAG	Level-1-260C-UNLIM	-40 to 125	121	Samples
TMUX1122DGKR	ACTIVE	VSSOP	DGK	8	2500	RoHS & Green	NIPDAUAG	Level-1-260C-UNLIM	-40 to 125	122	Samples
TMUX1123DGKR	ACTIVE	VSSOP	DGK	8	2500	RoHS & Green	NIPDAUAG	Level-1-260C-UNLIM	-40 to 125	123	Samples

(1) The marketing status values are defined as follows:

ACTIVE: Product device recommended for new designs.

LIFEBUY: TI has announced that the device will be discontinued, and a lifetime-buy period is in effect.

NRND: Not recommended for new designs. Device is in production to support existing customers, but TI does not recommend using this part in a new design.

PREVIEW: Device has been announced but is not in production. Samples may or may not be available.

OBsolete: TI has discontinued the production of the device.

(2) **RoHS:** TI defines "RoHS" to mean semiconductor products that are compliant with the current EU RoHS requirements for all 10 RoHS substances, including the requirement that RoHS substance do not exceed 0.1% by weight in homogeneous materials. Where designed to be soldered at high temperatures, "RoHS" products are suitable for use in specified lead-free processes. TI may reference these types of products as "Pb-Free".

RoHS Exempt: TI defines "RoHS Exempt" to mean products that contain lead but are compliant with EU RoHS pursuant to a specific EU RoHS exemption.

Green: TI defines "Green" to mean the content of Chlorine (Cl) and Bromine (Br) based flame retardants meet JS709B low halogen requirements of <=1000ppm threshold. Antimony trioxide based flame retardants must also meet the <=1000ppm threshold requirement.

(3) MSL, Peak Temp. - The Moisture Sensitivity Level rating according to the JEDEC industry standard classifications, and peak solder temperature.

(4) There may be additional marking, which relates to the logo, the lot trace code information, or the environmental category on the device.

(5) Multiple Device Markings will be inside parentheses. Only one Device Marking contained in parentheses and separated by a "~" will appear on a device. If a line is indented then it is a continuation of the previous line and the two combined represent the entire Device Marking for that device.

(6) Lead finish/Ball material - Orderable Devices may have multiple material finish options. Finish options are separated by a vertical ruled line. Lead finish/Ball material values may wrap to two lines if the finish value exceeds the maximum column width.

Important Information and Disclaimer:The information provided on this page represents TI's knowledge and belief as of the date that it is provided. TI bases its knowledge and belief on information provided by third parties, and makes no representation or warranty as to the accuracy of such information. Efforts are underway to better integrate information from third parties. TI has taken and continues to take reasonable steps to provide representative and accurate information but may not have conducted destructive testing or chemical analysis on incoming materials and chemicals. TI and TI suppliers consider certain information to be proprietary, and thus CAS numbers and other limited information may not be available for release.

In no event shall TI's liability arising out of such information exceed the total purchase price of the TI part(s) at issue in this document sold by TI to Customer on an annual basis.

TAPE AND REEL INFORMATION

QUADRANT ASSIGNMENTS FOR PIN 1 ORIENTATION IN TAPE


*All dimensions are nominal

Device	Package Type	Package Drawing	Pins	SPQ	Reel Diameter (mm)	Reel Width W1 (mm)	A0 (mm)	B0 (mm)	K0 (mm)	P1 (mm)	W (mm)	Pin1 Quadrant
TMUX1121DGKR	VSSOP	DGK	8	2500	330.0	12.4	5.3	3.4	1.4	8.0	12.0	Q1
TMUX1122DGKR	VSSOP	DGK	8	2500	330.0	12.4	5.3	3.4	1.4	8.0	12.0	Q1
TMUX1123DGKR	VSSOP	DGK	8	2500	330.0	12.4	5.3	3.4	1.4	8.0	12.0	Q1

TAPE AND REEL BOX DIMENSIONS


*All dimensions are nominal

Device	Package Type	Package Drawing	Pins	SPQ	Length (mm)	Width (mm)	Height (mm)
TMUX1121DGKR	VSSOP	DGK	8	2500	364.0	364.0	27.0
TMUX1122DGKR	VSSOP	DGK	8	2500	364.0	364.0	27.0
TMUX1123DGKR	VSSOP	DGK	8	2500	364.0	364.0	27.0

DGK0008A



PACKAGE OUTLINE

VSSOP - 1.1 mm max height

SMALL OUTLINE PACKAGE



4214862/A 04/2023

NOTES:

PowerPAD is a trademark of Texas Instruments.

1. All linear dimensions are in millimeters. Any dimensions in parenthesis are for reference only. Dimensioning and tolerancing per ASME Y14.5M.
2. This drawing is subject to change without notice.
3. This dimension does not include mold flash, protrusions, or gate burrs. Mold flash, protrusions, or gate burrs shall not exceed 0.15 mm per side.
4. This dimension does not include interlead flash. Interlead flash shall not exceed 0.25 mm per side.
5. Reference JEDEC registration MO-187.

EXAMPLE BOARD LAYOUT

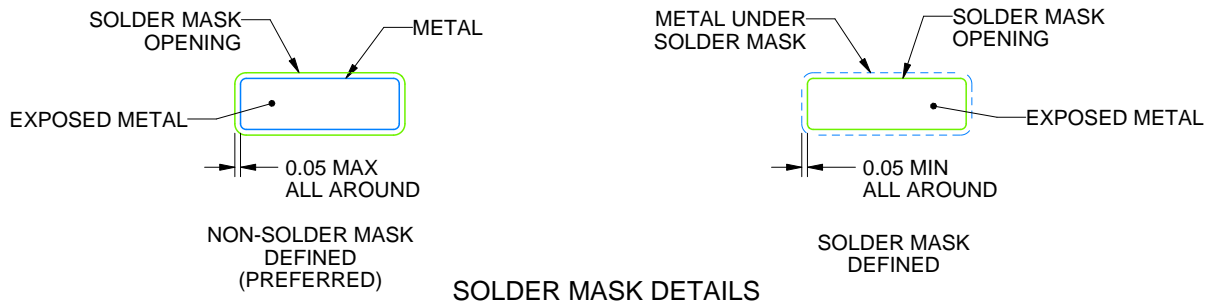
DGK0008A

™ VSSOP - 1.1 mm max height

SMALL OUTLINE PACKAGE



LAND PATTERN EXAMPLE
EXPOSED METAL SHOWN
SCALE: 15X



SOLDER MASK DETAILS

4214862/A 04/2023

NOTES: (continued)

6. Publication IPC-7351 may have alternate designs.
7. Solder mask tolerances between and around signal pads can vary based on board fabrication site.
8. Vias are optional depending on application, refer to device data sheet. If any vias are implemented, refer to their locations shown on this view. It is recommended that vias under paste be filled, plugged or tented.
9. Size of metal pad may vary due to creepage requirement.

EXAMPLE STENCIL DESIGN

DGK0008A

TM VSSOP - 1.1 mm max height

SMALL OUTLINE PACKAGE



SOLDER PASTE EXAMPLE
SCALE: 15X

4214862/A 04/2023

NOTES: (continued)

11. Laser cutting apertures with trapezoidal walls and rounded corners may offer better paste release. IPC-7525 may have alternate design recommendations.
12. Board assembly site may have different recommendations for stencil design.

重要なお知らせと免責事項

TI は、技術データと信頼性データ(データシートを含みます)、設計リソース(リファレンス・デザインを含みます)、アプリケーションや設計に関する各種アドバイス、Web ツール、安全性情報、その他のリソースを、欠陥が存在する可能性のある「現状のまま」提供しており、商品性および特定目的に対する適合性の黙示保証、第三者の知的財産権の非侵害保証を含むいかなる保証も、明示的または黙示的にかかわらず拒否します。

これらのリソースは、TI 製品を使用する設計の経験を積んだ開発者への提供を意図したものです。(1) お客様のアプリケーションに適した TI 製品の選定、(2) お客様のアプリケーションの設計、検証、試験、(3) お客様のアプリケーションに該当する各種規格や、その他のあらゆる安全性、セキュリティ、規制、または他の要件への確実な適合に関する責任を、お客様のみが単独で負うものとします。

上記の各種リソースは、予告なく変更される可能性があります。これらのリソースは、リソースで説明されている TI 製品を使用するアプリケーションの開発の目的でのみ、TI はその使用をお客様に許諾します。これらのリソースに関して、他の目的で複製することや掲載することは禁止されています。TI や第三者の知的財産権のライセンスが付与されている訳ではありません。お客様は、これらのリソースを自身で使用した結果発生するあらゆる申し立て、損害、費用、損失、責任について、TI およびその代理人を完全に補償するものとし、TI は一切の責任を拒否します。

TI の製品は、[TI の販売条件](#)、または [ti.com](#) やかかる TI 製品の関連資料などのいずれかを通じて提供する適用可能な条項の下で提供されています。TI がこれらのリソースを提供することは、適用される TI の保証または他の保証の放棄の拡大や変更を意味するものではありません。

お客様がいかなる追加条項または代替条項を提案した場合でも、TI はそれらに異議を唱え、拒否します。

郵送先住所 : Texas Instruments, Post Office Box 655303, Dallas, Texas 75265
Copyright © 2024, Texas Instruments Incorporated