



# 1.4 W/CH STEREO CLASS-D AUDIO SUBSYSTEM WITH DirectPath™ HEADPHONE AMPLIFIER AND 3:1 INPUT MUX

Check for Samples: [TPA2054D4A](#)

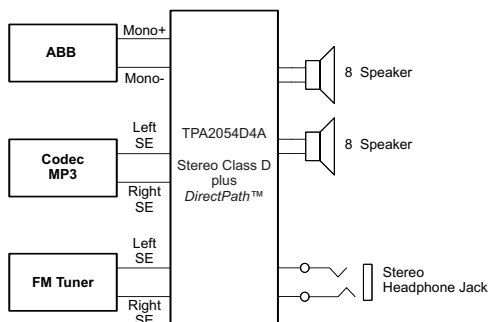
## FEATURES

- **Stereo Class-D Amp:**
  - 1.4 W into 8 Ω from 5.0 V (10% THD + N)
  - 1.25 W into 8 Ω from 5.0 V (1% THD + N)
- **DirectPath™ Stereo Headphone Amplifier**
  - No Output Capacitors Required
- **Independent Gain Select for Headphone Amplifier**
- **Eight Programmable Maximum Headphone Voltage Limits**
- **Two Single-Ended or One Differential Stereo Input**
- **3:1 Input MUX with Mode Control**
- **32-Step Volume Control for Both Input Channels**
- **Independent Shutdown for Headphone and Class-D Amplifiers**
- **Short-Circuit and Thermal-Overload Protection**
- **±8 kV HBM ESD Protection on Headphone Outputs**
- **I<sup>2</sup>C™ Interface**
- **25-Ball 2,61 mm × 2,61 mm WCSP**

## APPLICATIONS

- Smart Phones / Cellular Phones
- Laptop Computers
- Portable Gaming
- Portable Media Players

## SIMPLIFIED SYSTEM BLOCK DIAGRAM



## DESCRIPTION

The TPA2054D4A features a stereo Class-D power amplifier along with a stereo DirectPath™ headphone amplifier. The TPA2054D4A has a mono differential input and two stereo single-ended (SE) inputs that can be configured as one stereo differential input. Both input channels have a 32-step volume control and the DirectPath headphone amplifier has a 4-level gain control for coarse volume adjustment. All amplifiers have output short-circuit and thermal-overload protection.

The Class-D amplifiers deliver 1.25 W into 8 Ω at 1% THD from a 5.0 V supply, and 700 mW from 3.6 V. The DirectPath headphone amplifier features an output voltage limiter to reduce the maximum output power to one of seven possible limits. The voltage limiter is programmed through the I<sup>2</sup>C interface.

DirectPath eliminates the need for external DC-blocking output capacitors to the headphones. The built-in charge pump creates a negative supply voltage for the headphone amplifier, allowing a 0 V DC bias at the output.

The DirectPath headphone amplifier gains are +6 dB (default), 0 dB, –6 dB, and –14 dB, selected through the I<sup>2</sup>C interface. This allows the headphone volume to be different from the loudspeaker volume if both are used simultaneously.

The TPA2054D4A has a 3:1 input MUX for audio source selection. Mode and gain controls operate from a 1.7 V to 3.6 V compatible I<sup>2</sup>C interface.

The voltage supply range for both the Class-D amplifiers and the headphone charge pump is 2.5 V to 5.5 V. The Class-D amplifiers use a combined 7 mA and the headphone amplifier uses 10 mA of typical quiescent current.

Total supply current in shutdown reduces to less than 4 μA. Undervoltage lockout keeps supply current to less than 4 μA when the supply voltage is less than 2.1 V.

The TPA2054D4AYZK is available in a 25-ball 2,61 mm × 2,61 mm WCSP package.



Please be aware that an important notice concerning availability, standard warranty, and use in critical applications of Texas Instruments semiconductor products and disclaimers thereto appears at the end of this data sheet.

DirectPath is a trademark of Texas Instruments.

I<sup>2</sup>C is a trademark of NXP Semiconductors.



This integrated circuit can be damaged by ESD. Texas Instruments recommends that all integrated circuits be handled with appropriate precautions. Failure to observe proper handling and installation procedures can cause damage.

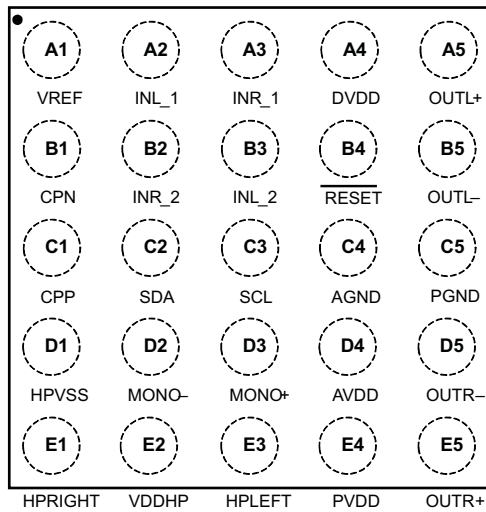
ESD damage can range from subtle performance degradation to complete device failure. Precision integrated circuits may be more susceptible to damage because very small parametric changes could cause the device not to meet its published specifications.

**ORDERING INFORMATION**

| T <sub>A</sub> | PACKAGED DEVICES <sup>(1)</sup> | PART NUMBER <sup>(2)</sup> |
|----------------|---------------------------------|----------------------------|
| -40°C to 85°C  | 25-ball, WCSP                   | TPA2054D4AYZKR             |
|                | 25-ball, WCSP                   | TPA2054D4AYZKT             |

- (1) For the most current package and ordering information, see the Package Option Addendum at the end of this document, or see the TI Web site at [www.ti.com](http://www.ti.com).
- (2) The YZK packages are only available taped and reeled. The suffix R indicates a reel of 3000, the suffix T indicates a reel of 250.

**DEVICE PINOUT**



FUNCTIONAL BLOCK DIAGRAM

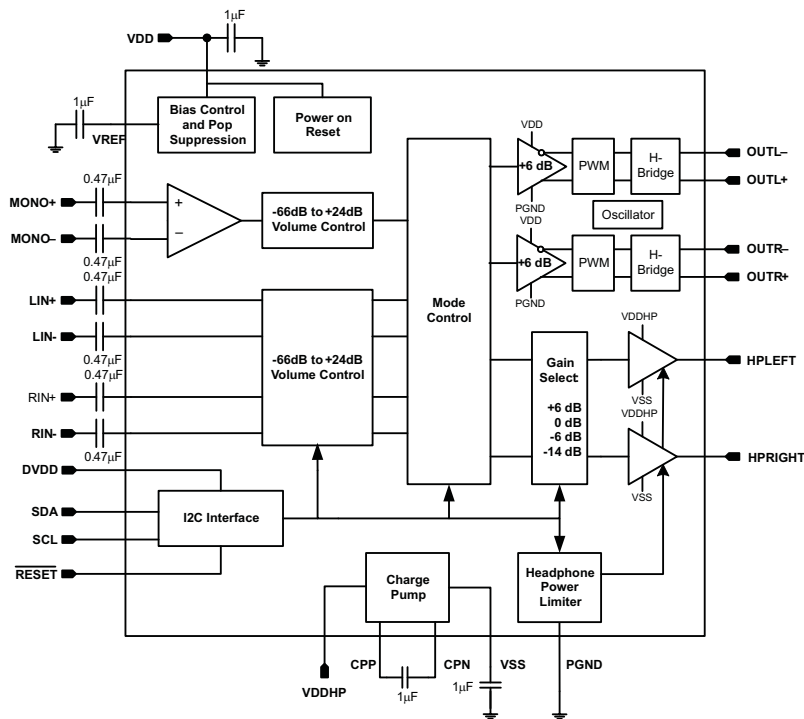


Figure 1. Differential Input Mode

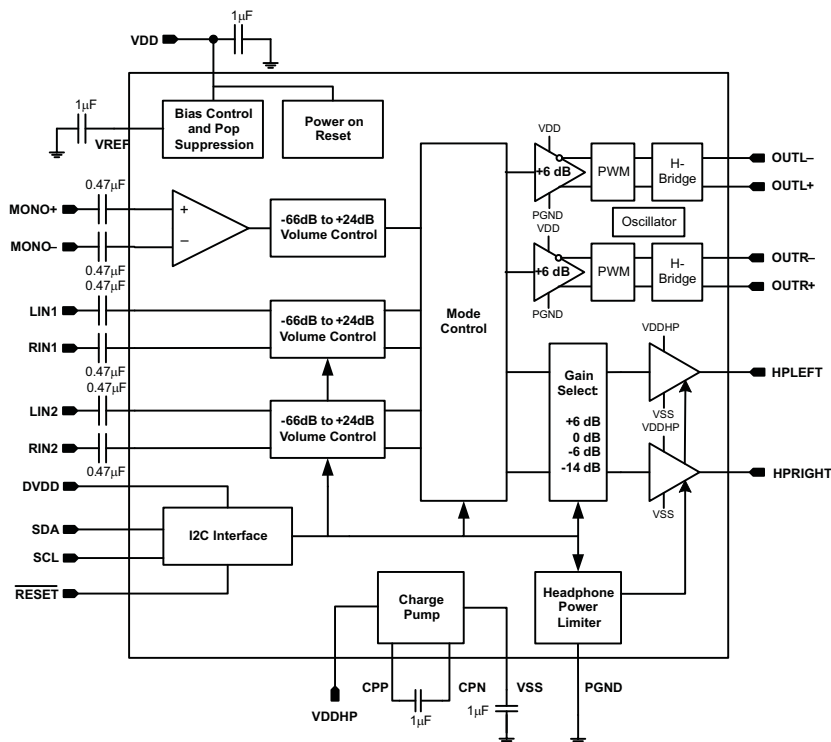


Figure 2. Single-Ended (SE) Input Mode

### TERMINAL FUNCTIONS

| TERMINAL                  |              | INPUT/ OUTPUT/<br>POWER (I/O/P) | DESCRIPTION   |
|---------------------------|--------------|---------------------------------|---|
| NAME                      | BALL<br>WCSP |                                 |   |
| OUTL+                     | A5           | O                               | Left speaker positive output; connect to + terminal of loudspeaker  |
| DVDD                      | A4           | P                               | I2C supply voltage; connect to 1.8V digital supply  |
| INR_1                     | A3           | I                               | Channel 1 right input (SE-In mode); Left– input (Diff-In mode); connect to ground through 0.47 $\mu$ F capacitor if unused  |
| INL_1                     | A2           | I                               | Channel 1 left input (SE-In mode); Left+ input (Diff-In mode); connect to ground through 0.47 $\mu$ F capacitor if unused   |
| VREF                      | A1           | I                               | 1.65 V reference voltage; connect a 1 $\mu$ F capacitor to ground   |
| OUTL–                     | B5           | O                               | Left speaker negative output; connect to negative terminal of loudspeaker   |
| $\overline{\text{RESET}}$ | B4           | I                               | Set to logic low to shut device down and return all I2C registers to default state; I2C can only be programmed once $\overline{\text{RESET}}$ returns to logic high |
| INL_2                     | B3           | I                               | Channel 2 left input (SE-In mode); Right+ input (Diff-In mode); connect to ground through 0.47 $\mu$ F capacitor if unused  |
| INR_2                     | B2           | I                               | Channel 2 right input (SE-In mode); Right– input (Diff-In mode); connect to ground through 0.47 $\mu$ F capacitor if unused   |
| CPP                       | B1           | P                               | Charge pump flying capacitor positive terminal; connect positive side of capacitor between CPP and CPN  |
| PGND                      | C5           | P                               | Class-D ground; connect to ground   |
| AGND                      | C4           | P                               | Analog ground; connect to ground  |
| SCL                       | C3           | I/O                             | I2C clock input   |
| SDA                       | C2           | I/O                             | I2C data input  |
| CPN                       | C1           | P                               | Charge pump flying capacitor negative terminal; connect negative side of capacitor between CPP and CPN  |
| OUTR–                     | D5           | O                               | Right speaker negative output; connect to negative terminal of loudspeaker  |
| AVDD                      | D4           | P                               | Supply voltage  |
| MONO–                     | D2           | I                               | Inverting mono input, typically connected to baseband OUT–  |
| MONO+                     | D3           | I                               | Non-inverting mono input, typically connected to baseband OUT+  |
| HPVSS                     | D1           | P                               | Negative supply generated by the charge pump; connect a 1 $\mu$ F capacitor to ground to reduce voltage ripple  |
| OUTR+                     | E5           | O                               | Right speaker positive output; connect to positive terminal of loudspeaker  |
| PVDD                      | E4           | P                               | Supply voltage  |
| HPLEFT                    | E3           | O                               | Headphone left channel output   |
| VDDHP                     | E2           | P                               | Headphone charge pump supply voltage  |
| HPRIGHT                   | E1           | O                               | Headphone right channel output  |

### ABSOLUTE MAXIMUM RATINGS<sup>(1)</sup>

over operating free-air temperature range,  $T_A = 25^\circ\text{C}$  (unless otherwise noted)

|   |  | VALUE                        | UNIT             |
|---|--|------------------------------|------------------|
| Supply voltage                            | VDDHP, PVDD, AVDD                        | –0.3 to 6.0                  | V                |
|   | DVDD                                     | –0.3 to 3.6                  | V                |
| $V_I$ Input voltage                       | INL_1, INL_2, INR_1, INR_2, MONO+, MONO– | –0.3 to VDD + 0.3            | V                |
|   | SDA, SCL, $\overline{\text{RESET}}$      | –0.3 to DVDD + 0.3           | V                |
| Output continuous total power dissipation |  | See Dissipation Rating Table |                  |
| $T_A$                                     | Operating free-air temperature range     | –40 to 85                    | $^\circ\text{C}$ |
| $T_J$                                     | Operating junction temperature range     | –40 to 150                   | $^\circ\text{C}$ |
| $T_{\text{stg}}$                          | Storage temperature range                | –65 to 150                   | $^\circ\text{C}$ |
| ESD Electrostatic discharge, HBM          | OUTL+, OUTL–, OUTR+, OUTR–               | 2 k                          | V                |
|   | HPLEFT and HPRIGHT                       | 8 k                          | V                |

(1) Stresses beyond those listed under *absolute maximum ratings* may cause permanent damage to the device. These are stress ratings only, and functional operation of the device at these or any other conditions beyond those indicated under *recommended operating conditions* is not implied. Exposure to absolute-maximum-rated conditions for extended periods may affect device reliability.

## DISSIPATION RATINGS

| PACKAGE    | T <sub>A</sub> < 25°C | DERATING FACTOR | T <sub>A</sub> = 70°C | T <sub>A</sub> = 85°C |
|------------|-----------------------|-----------------|-----------------------|-----------------------|
| YZK (WCSP) | 1.12 W                | 9 mW/°C         | 720 mW                | 585 mW                |

## RECOMMENDED OPERATING CONDITIONS

over operating free-air temperature range (unless otherwise noted)

|                                   |                                | MIN  | MAX | UNIT |
|-----------------------------------|--------------------------------|--|-----|------|
| Class-D supply voltage, PVDD      |                                | 2.5  | 5.5 | V    |
| Charge pump supply voltage, VDDHP |                                | 2.5  | 5.5 | V    |
| I2C supply voltage, DVDD          |                                | 1.7  | 3.3 | V    |
| V <sub>IH</sub>                   | High-level input voltage       | SDA, SCL, $\overline{\text{RESET}}$ , DVDD = 1.8 V |     | V    |
|                                   |                                | SDA, SCL, $\overline{\text{RESET}}$ , DVDD = 3.3 V |     |      |
| V <sub>IL</sub>                   | Low-level input voltage        | SDA, SCL, $\overline{\text{RESET}}$ , DVDD = 1.8 V |     | 0.3  |
|                                   |                                | SDA, SCL, $\overline{\text{RESET}}$ , DVDD = 3.3 V |     |      |
| T <sub>A</sub>                    | Operation free-air temperature | -40  | 85  | °C   |

## ELECTRICAL CHARACTERISTICS

 T<sub>A</sub> = 25°C (unless otherwise noted)

| PARAMETER   | TEST CONDITIONS  | MIN | TYP  | MAX  | UNIT |    |
|---|--|-----|------|------|------|----|
| DC Power supply rejection ratio (Class-D amplifiers)            | V <sub>DD</sub> = 2.5 V to 5.5 V, Single-ended mode  | 48  | 75   |      | dB   |    |
| DC Power supply rejection ratio (headphone amplifiers)          | V <sub>DD</sub> = 2.5 V to 5.5 V, Single-ended mode  | 60  | 80   |      | dB   |    |
| High-level input current (SDA, SCL, $\overline{\text{RESET}}$ ) |  |     |      | 1    | μA   |    |
| Low-level input current (SDA, SCL, $\overline{\text{RESET}}$ )  |  |     |      | 1    | μA   |    |
| AVDD Power on reset ON threshold                                |  |     | 2.0  | 2.3  | V    |    |
| AVDD Power on reset hysteresis                                  |  |     | 0.2  |      | V    |    |
| Supply current  | V <sub>DD</sub> = 5.5 V, Class-D and Headphone amplifiers active, no load                                  |     | 15.8 | 20   | mA   |    |
|   | V <sub>DD</sub> = 4.2 V, Class-D active, Headphone deactivated, no load                                    |     | 7.5  | 10.5 | mA   |    |
|   | V <sub>DD</sub> = 4.2 V, Headphone active, Class-D deactivated, no load                                    |     | 10   | 13.5 | mA   |    |
|   | V <sub>DD</sub> = 2.5 V to 5.5 V, $\overline{\text{RESET}} \geq V_{IH}$ , SWS = 1 (software shutdown mode) |     |      | 2.5  | 4    | μA |
|   | V <sub>DD</sub> = 2.5 V to 5.5 V, $\overline{\text{RESET}} \leq 0.3$ V (hard shutdown mode)                |     |      | 0.2  | 2    | μA |

## TIMING CHARACTERISTICS

 For I<sup>2</sup>C Interface Signals Over Recommended Operating Conditions (unless otherwise noted)

| PARAMETER          | TEST CONDITIONS                                | MIN | TYP | MAX | UNIT |
|--------------------|--|-----|-----|-----|------|
| f <sub>SCLN</sub>  | Frequency, SCL                                 |     |     | 400 | kHz  |
| t <sub>W(H)</sub>  | Pulse duration, SCL high                       | 0.6 |     |     | μs   |
| t <sub>W(L)</sub>  | Pulse duration, SCL low                        | 1.3 |     |     | μs   |
| t <sub>su1</sub>   | Setup time, SDA to SCL                         | 100 |     |     | ns   |
| t <sub>h1</sub>    | Hold time, SCL to SDA                          | 10  |     |     | ns   |
| t <sub>(buf)</sub> | Bus free time between stop and start condition | 1.3 |     |     | μs   |
| t <sub>su2</sub>   | Setup time, SCL to start condition             | 0.6 |     |     | μs   |
| t <sub>h2</sub>    | Hold time, start condition to SCL              | 0.6 |     |     | μs   |
| t <sub>su3</sub>   | Setup time, SCL to stop condition              | 0.6 |     |     | μs   |

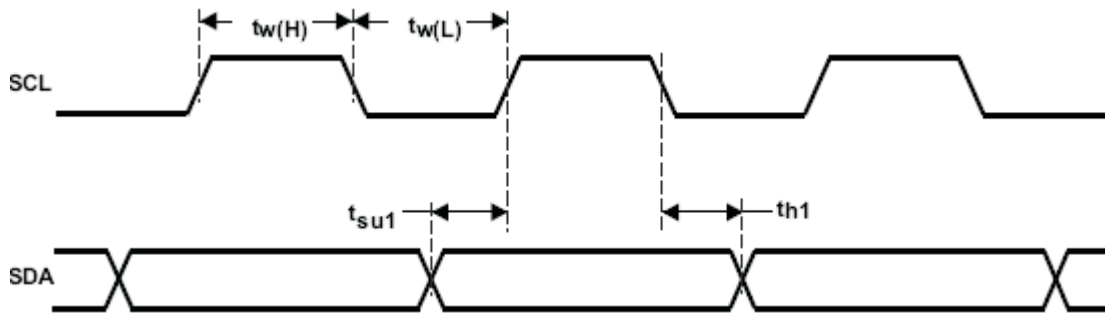


Figure 3. SCL and SDA Timing

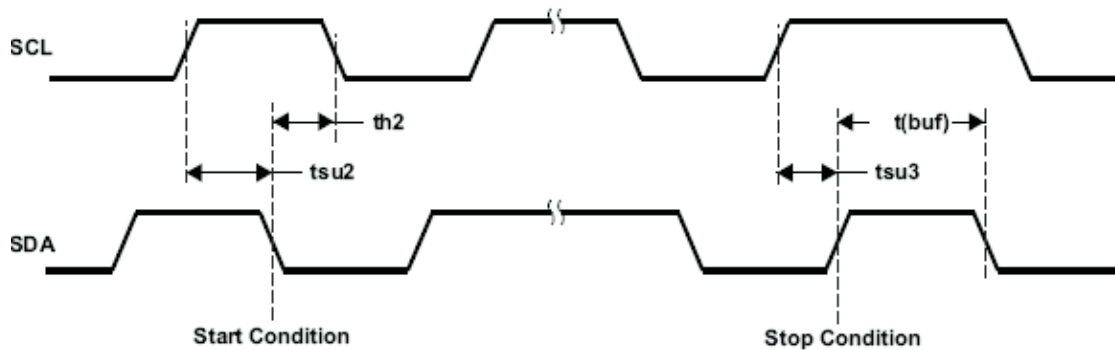


Figure 4. Start and Stop Conditions Timing

**DEVICE RESET**

Apply logic low to the  $\overline{RESET}$  pin to deactivate the TPA2054D4A and return all I<sup>2</sup>C registers to their default state. This clears the LIM\_Lock bit to logic low, allowing changes to the headphone output limiter byte. Refer to the Register Map section for a complete list of default states. The I<sup>2</sup>C registers cannot be programmed until  $\overline{RESET}$  returns to logic high. The TPA2054D4A activates in soft shutdown mode, SWS bit at logic high.

**OPERATING CHARACTERISTICS**

$V_{DD} = 3.6\text{ V}$ ,  $T_A = 25^\circ\text{C}$ ,  $R_{SPEAKER} = 8\ \Omega + 33\ \mu\text{H}$ ,  $R_{HEADPHONES} = 16\ \Omega$ , Total HP Gain = 6 dB, Total Class-D Gain = 6 dB, MODE[2:0] = 001 (single-ended mode)(unless otherwise noted)

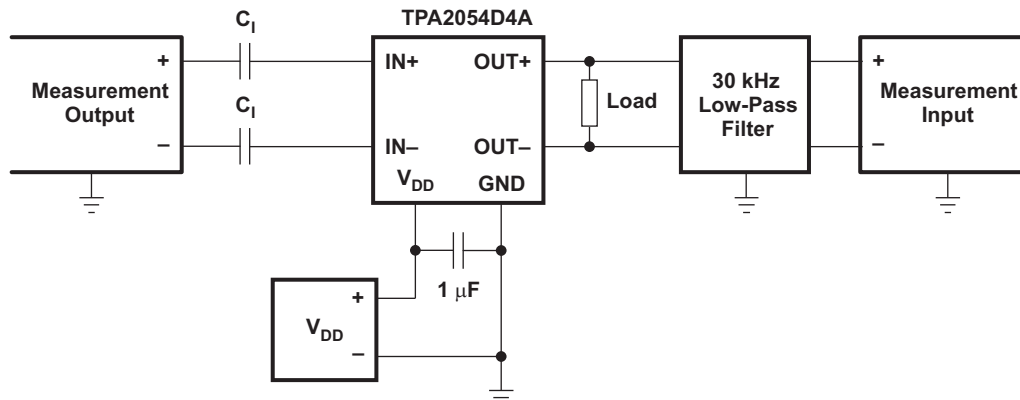
| PARAMETER              |                                      | TEST CONDITIONS  | MIN | TYP  | MAX | UNIT                |
|------------------------|--------------------------------------|--|-----|------|-----|---------------------|
| <b>POWER AMPLIFIER</b> |                                      |  |     |      |     |                     |
| P <sub>O</sub>         | Speaker output power                 | THD = 1%, $V_{DD} = 3.6\text{ V}$ , $f = 1\text{ kHz}$               |     | 700  |     | mW                  |
|                        |                                      | THD = 10%, $V_{DD} = 3.6\text{ V}$ , $f = 1\text{ kHz}$              |     | 860  |     | mW                  |
|                        |                                      | THD = 1%, $V_{DD} = 4.2\text{ V}$ , $f = 1\text{ kHz}$               |     | 940  |     | mW                  |
| V <sub>OS</sub>        | Offset Voltage                       | $V_{DD} = 5.5\text{ V}$  | -13 | 5    | 13  | mV                  |
|                        | Output impedance in shutdown         |  |     | 2    |     | k $\Omega$          |
| SNR                    | Signal-to-noise ratio                | $P_O = 250\text{ mW}$ ;  |     | 90   |     | dB                  |
| E <sub>n</sub>         | Noise output voltage                 | Total gain = 0 dB; A-weighted  |     | 22   |     | $\mu\text{V}_{RMS}$ |
| THD+N                  | Total harmonic distortion plus noise | $V_{DD} = 5.0\text{ V}$ , $P_O = 1\text{ W}$ , $f = 1\text{ kHz}$    |     | 0.18 |     | %                   |
|                        |                                      | $V_{DD} = 3.6\text{ V}$ , $P_O = 0.6\text{ W}$ , $f = 1\text{ kHz}$  |     | 0.25 |     | %                   |
| k <sub>SVR</sub>       | AC-Power supply rejection ratio      | 200 mV <sub>pp</sub> ripple, $f = 217\text{ Hz}$ , Total gain = 0 dB |     | -75  |     | dB                  |
|                        |                                      | 200 mV <sub>pp</sub> ripple, $f = 4\text{ kHz}$ , Total gain = 0 dB  |     | -70  |     | dB                  |

**OPERATING CHARACTERISTICS (continued)**

$V_{DD} = 3.6\text{ V}$ ,  $T_A = 25^\circ\text{C}$ ,  $R_{SPEAKER} = 8\ \Omega + 33\ \mu\text{H}$ ,  $R_{HEADPHONES} = 16\ \Omega$ , Total HP Gain = 6 dB, Total Class-D Gain = 6 dB, MODE[2:0] = 001 (single-ended mode)(unless otherwise noted)

| PARAMETER   | TEST CONDITIONS   | MIN  | TYP  | MAX | UNIT             |
|---|---|------|------|-----|------------------|
| Thermal shutdown  | Threshold   |      | 155  |     | $^\circ\text{C}$ |
|   | Hysteresis  |      | 35   |     | $^\circ\text{C}$ |
| Output short-circuit protection                                   |   |      | 2.4  |     | A                |
| $f_{CLK}$ Class-D switching frequency                             |   | 250  | 300  | 350 | kHz              |
| $\Delta A_V$ Gain matching  | Between left and right channels   |      | 0.1  |     | dB               |
| <b>HEADPHONE AMPLIFIER</b>  |   |      |      |     |                  |
| $P_O$ Headphone output power <sup>(1)</sup><br>(Outputs in Phase) | THD = 1%, $V_{DD} = 5.0\text{ V}$ , HP_Vout[2:0] = 000                                |      | 150  |     | mW               |
|   | THD = 1%, $V_{DD} = 3.0\text{ V}$ , HP_Vout[2:0] = 000                                |      | 83   |     |                  |
| $V_O$ Maximum headphone output voltage                            | THD = 10 %, HP_VOUT[2:0] = 111  |      | 0.14 |     | $V_{RMS}$        |
|   | THD = 10 %, HP_VOUT[2:0] = 100  |      | 0.23 |     |                  |
| $V_{OS}$ Offset Voltage   | $V_{DD} = 5.5\text{ V}$ , Total gain = 0 dB   | -3.5 | 0.5  | 3.5 | mV               |
| Output impedance in shutdown                                      |   |      | 225  |     | $M\Omega$        |
| SNR Signal-to-noise ratio   | $P_O = 50\text{ mW}$ ;  |      | 90   |     | dB               |
| $E_n$ Noise output voltage  | Total gain = 0 dB; A-weighted, $V_{DD} = 5.0\text{ V}$                                |      | 12   |     | $\mu V_{RMS}$    |
| THD+N Total harmonic distortion plus noise <sup>(1)</sup>         | $P_O = 30\text{ mW}$ into $16\ \Omega$ , $V_{DD} = 3.6\text{ V}$ , $f = 1\text{ kHz}$ |      | 0.02 |     | %                |
|   | $P_O = 50\text{ mW}$ into $32\ \Omega$ , $V_{DD} = 5.0\text{ V}$ , $f = 1\text{ kHz}$ |      | 0.01 |     | %                |
| $k_{SVR}$ AC-Power supply rejection ratio                         | 200 mV <sub>pp</sub> ripple, $f = 217\text{ Hz}$ , Total gain = 0 dB                  |      | -89  |     | dB               |
|   | 200 mV <sub>pp</sub> ripple, $f = 4\text{ kHz}$ , Total gain = 0 dB                   |      | -83  |     | dB               |
| Output short-circuit protection                                   |   |      | 200  |     | mA               |
| $f_{OSC}$ Charge pump switching frequency                         |   |      | 300  |     | kHz              |
| $\Delta A_V$ Gain matching  | Between Left and Right channels   |      | 0.1  |     | dB               |
| <b>INPUT SECTION</b>  |   |      |      |     |                  |
| $R_{IN}$ Input impedance (differential)                           | Volume = 24 dB  | 16   | 20.9 |     | k $\Omega$       |
| $V_{REF}$ Reference voltage                                       | $V_{DD} = 3.6\text{ V}$ , all active modes  |      | 1.65 |     | V                |
| Start-up time from shutdown                                       |   |      | 8.25 |     | ms               |

(1) Per output channel

**TEST SET-UP FOR GRAPHS**


- (1) All measurements were taken with a 1- $\mu\text{F}$   $C_1$  (unless otherwise noted.)
- (2) A 33- $\mu\text{H}$  inductor was placed in series with the load resistor to emulate a small speaker for efficiency measurements.
- (3) The 30-kHz low-pass filter is required, even if the analyzer has an internal low-pass filter. An RC low-pass filter (1 k $\Omega$  4.7 nF) is used on each output for the data sheet graphs.

TYPICAL CHARACTERISTIC GRAPHS

$C_l = 1 \mu\text{F}$ ,  $C_{\text{bypass}} = 1 \mu\text{F}$

**TOTAL HARMONIC DISTORTION + NOISE (SP) vs FREQUENCY**

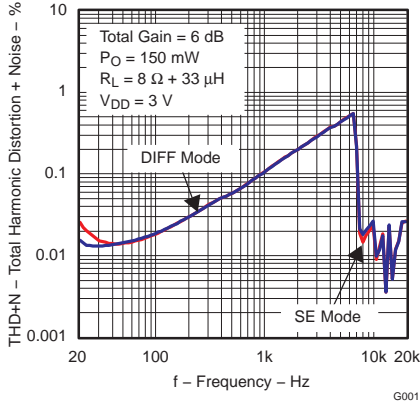


Figure 5.

**TOTAL HARMONIC DISTORTION + NOISE (SP) vs FREQUENCY**

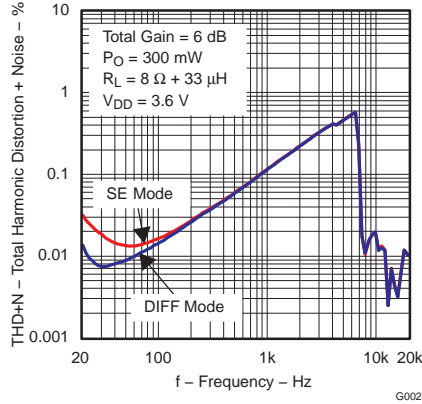


Figure 6.

**TOTAL HARMONIC DISTORTION + NOISE (SP) vs FREQUENCY**

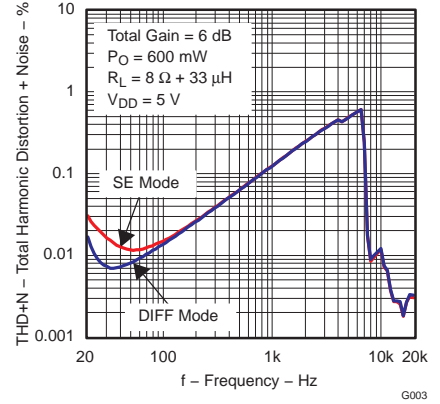


Figure 7.

**TOTAL HARMONIC DISTORTION + NOISE (HP) vs FREQUENCY**

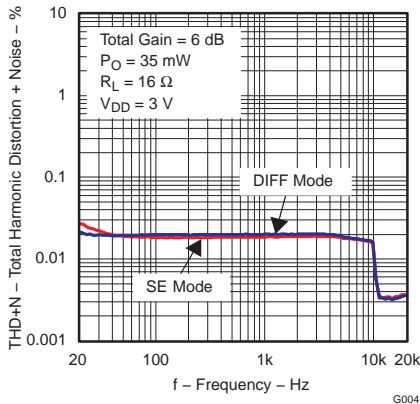


Figure 8.

**TOTAL HARMONIC DISTORTION + NOISE (HP) vs FREQUENCY**

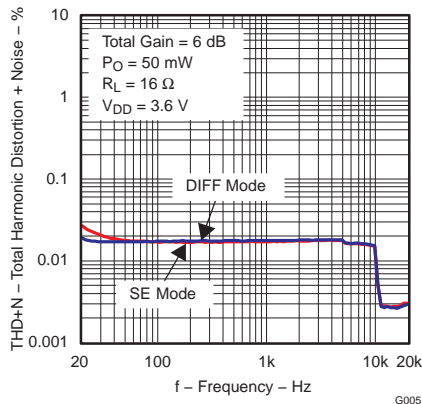


Figure 9.

**TOTAL HARMONIC DISTORTION + NOISE (HP) vs FREQUENCY**

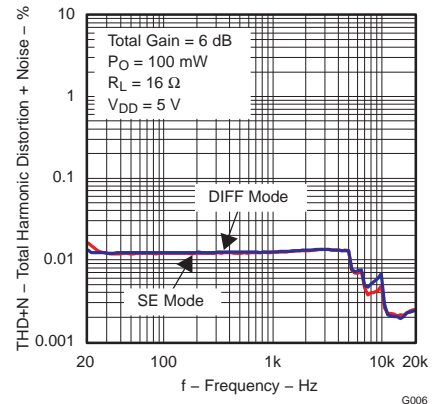


Figure 10.



TYPICAL CHARACTERISTIC GRAPHS (continued)

$C_1 = 1 \mu\text{F}$ ,  $C_{\text{bypass}} = 1 \mu\text{F}$

TOTAL HARMONIC DISTORTION + NOISE (HP) vs FREQUENCY

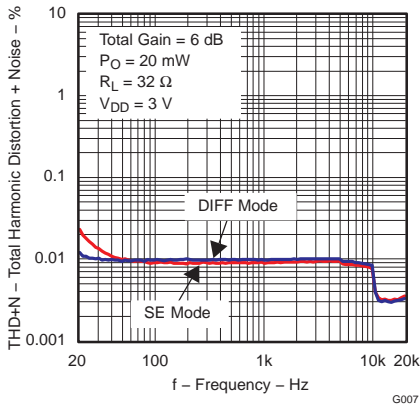


Figure 11.

TOTAL HARMONIC DISTORTION + NOISE (HP) vs FREQUENCY

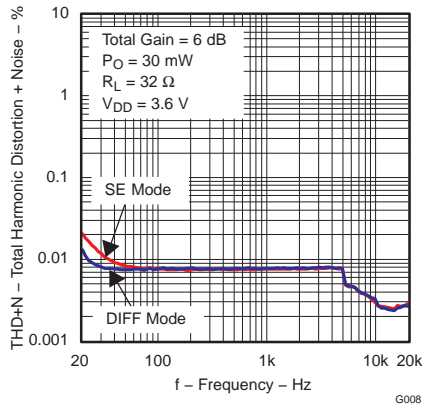


Figure 12.

TOTAL HARMONIC DISTORTION + NOISE (HP) vs FREQUENCY

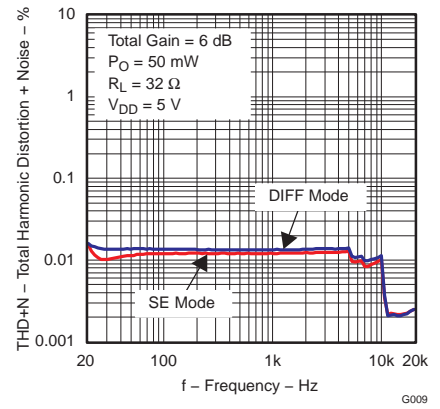


Figure 13.

TOTAL HARMONIC DISTORTION + NOISE (SP) vs OUTPUT POWER

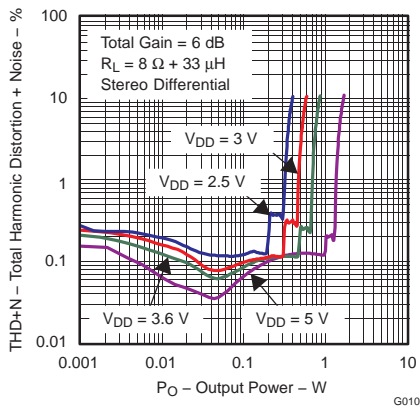


Figure 14.

TOTAL HARMONIC DISTORTION + NOISE (SP) vs OUTPUT POWER

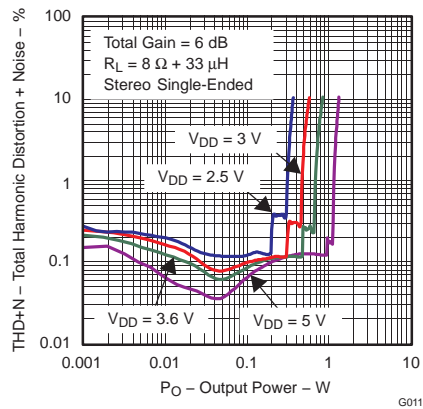


Figure 15.

TOTAL HARMONIC DISTORTION + NOISE (HP) vs OUTPUT POWER

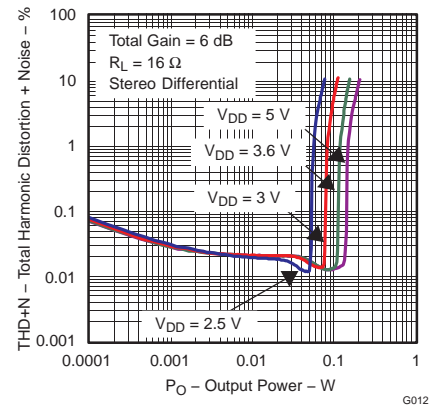


Figure 16.

TYPICAL CHARACTERISTIC GRAPHS (continued)

$C_I = 1 \mu\text{F}$ ,  $C_{\text{bypass}} = 1 \mu\text{F}$

**TOTAL HARMONIC DISTORTION + NOISE (HP) vs OUTPUT POWER**

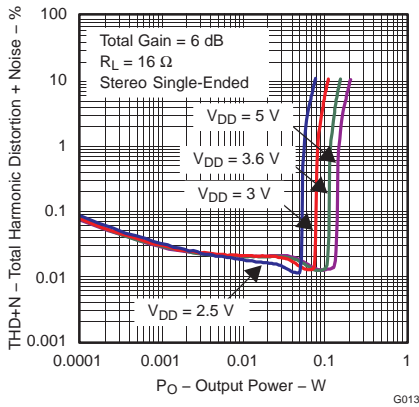


Figure 17.

**TOTAL HARMONIC DISTORTION + NOISE (HP) vs OUTPUT POWER**

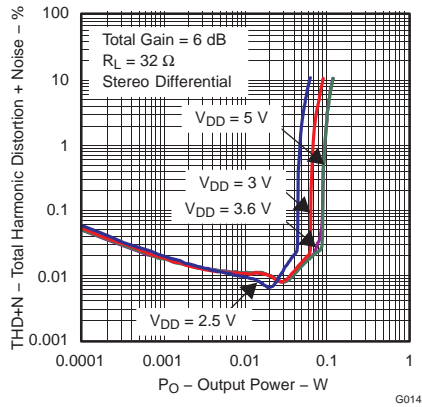


Figure 18.

**TOTAL HARMONIC DISTORTION + NOISE (HP) vs OUTPUT POWER**

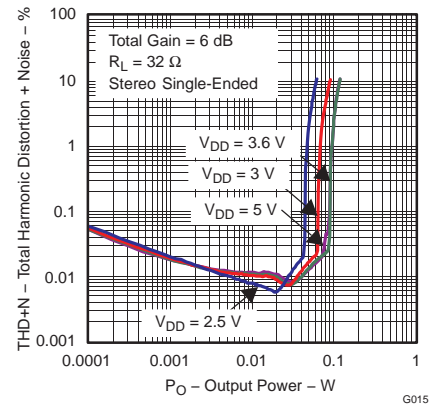


Figure 19.

**SUPPLY RIPPLE REJECTION RATIO (SP) vs FREQUENCY**

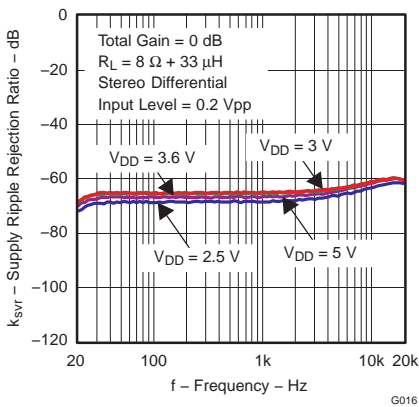


Figure 20.

**SUPPLY RIPPLE REJECTION RATIO (SP) vs FREQUENCY**

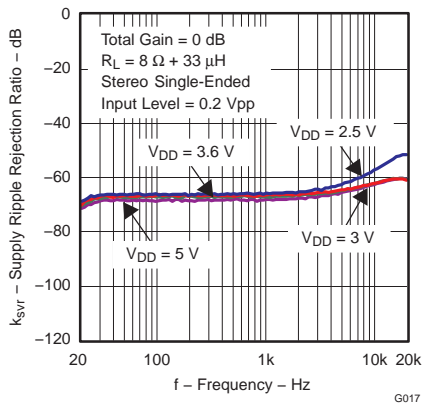


Figure 21.

**SUPPLY RIPPLE REJECTION RATIO (HP) vs FREQUENCY**

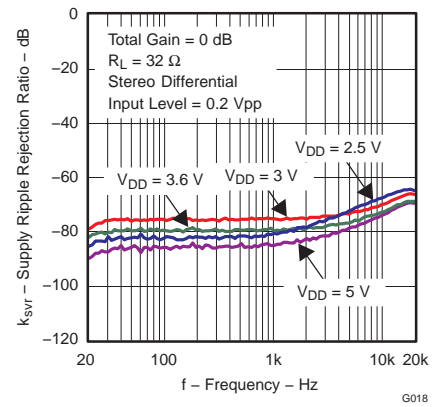


Figure 22.

TYPICAL CHARACTERISTIC GRAPHS (continued)

$C_1 = 1 \mu\text{F}$ ,  $C_{\text{bypass}} = 1 \mu\text{F}$

**SUPPLY RIPPLE REJECTION RATIO (HP)**  
vs  
**FREQUENCY**

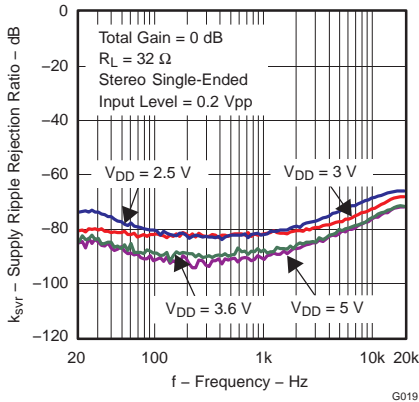


Figure 23.

**EFFICIENCY (SP)**  
vs  
**OUTPUT POWER PER CHANNEL**

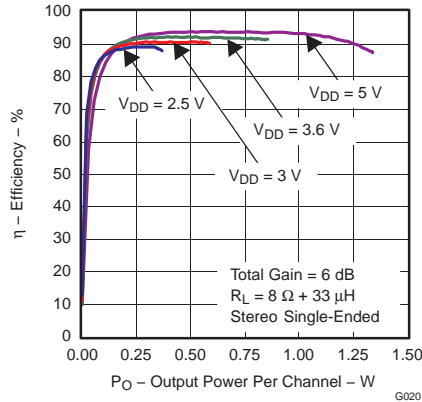


Figure 24.

**TOTAL POWER DISSIPATION (SP)**  
vs  
**TOTAL OUTPUT POWER**

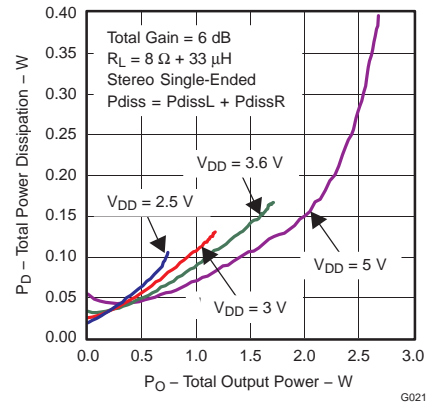


Figure 25.

**TOTAL POWER DISSIPATION (HP)**  
vs  
**TOTAL OUTPUT POWER**

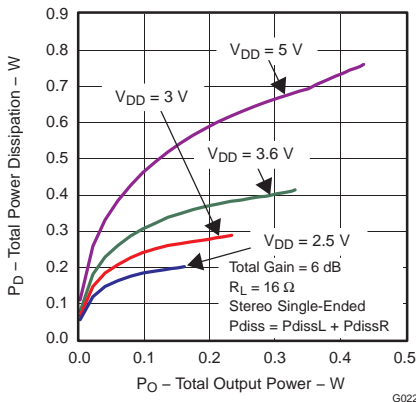


Figure 26.

**TOTAL POWER DISSIPATION (HP)**  
vs  
**TOTAL OUTPUT POWER**

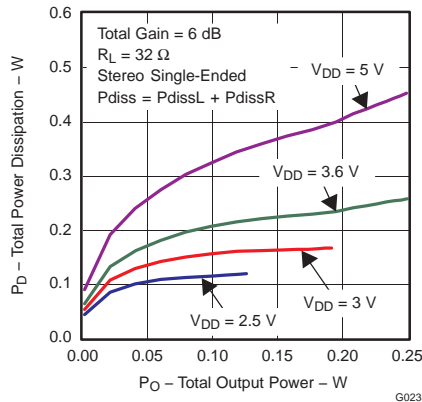


Figure 27.

**OUTPUT POWER PER CHANNEL (SP)**  
vs  
**SUPPLY VOLTAGE**

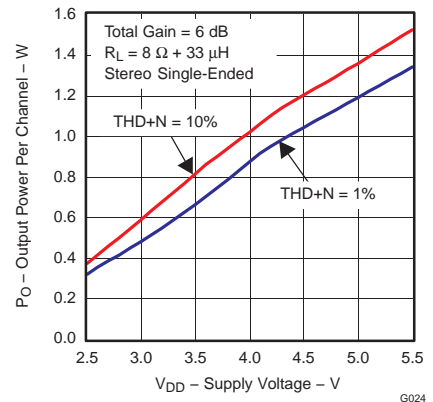


Figure 28.

TYPICAL CHARACTERISTIC GRAPHS (continued)

$C_1 = 1 \mu\text{F}$ ,  $C_{\text{bypass}} = 1 \mu\text{F}$

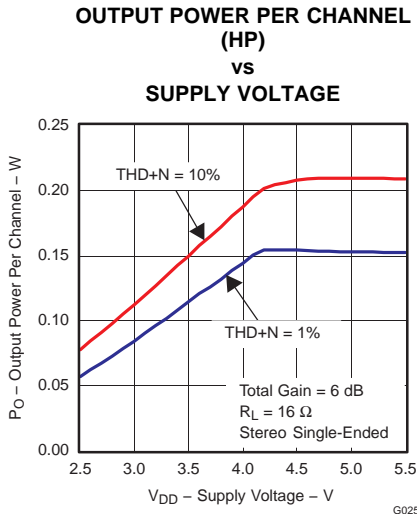


Figure 29.

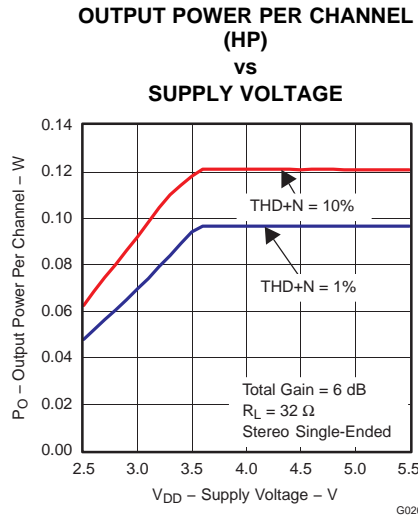


Figure 30.

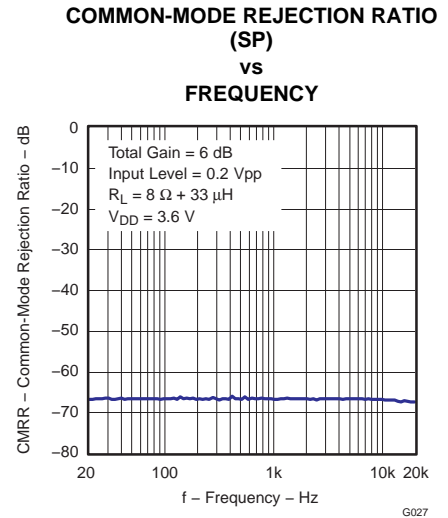


Figure 31.

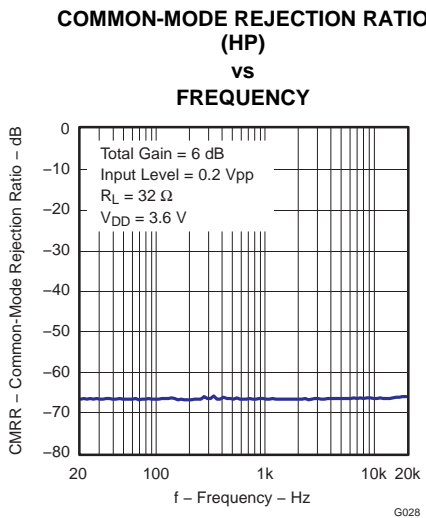


Figure 32.

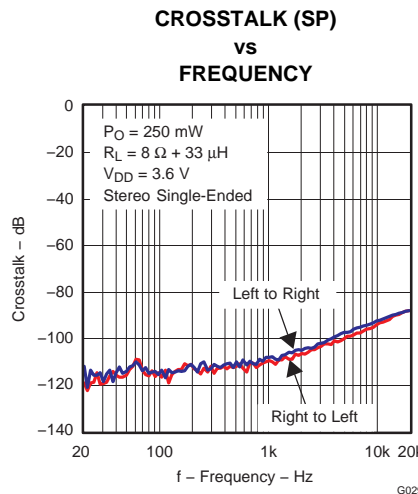


Figure 33.

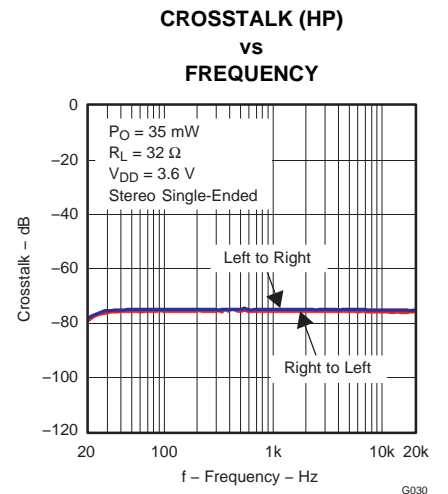


Figure 34.

TYPICAL CHARACTERISTIC GRAPHS (continued)

$C_1 = 1 \mu\text{F}$ ,  $C_{\text{bypass}} = 1 \mu\text{F}$

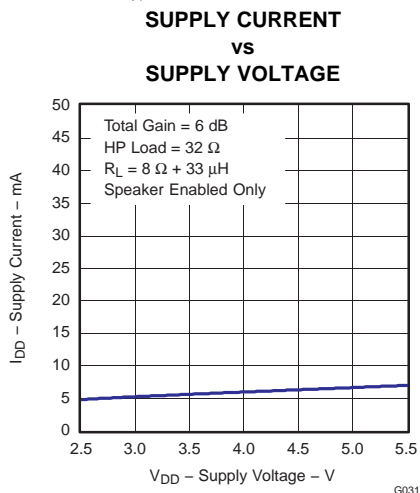


Figure 35.

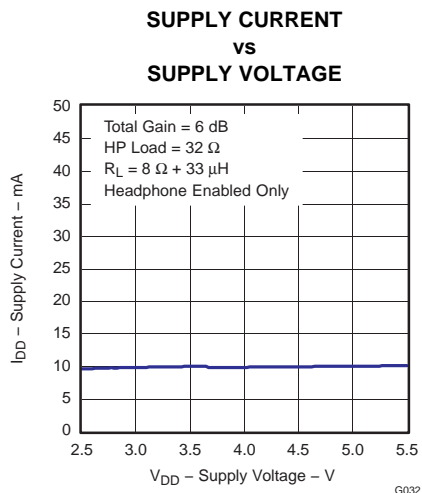


Figure 36.

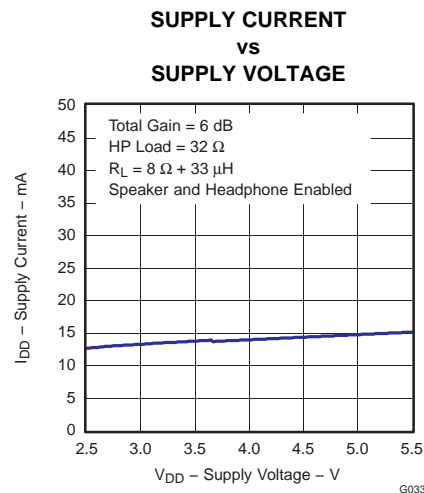


Figure 37.

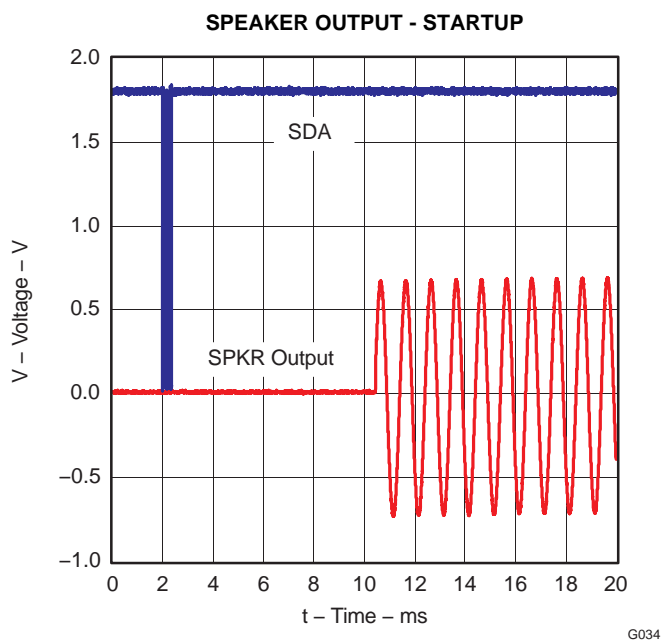


Figure 38.

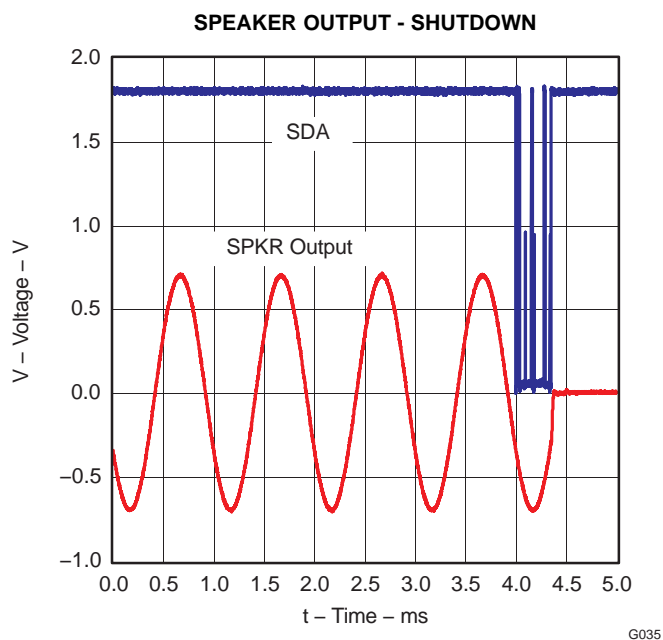


Figure 39.

TYPICAL CHARACTERISTIC GRAPHS (continued)

$C_l = 1 \mu\text{F}$ ,  $C_{\text{bypass}} = 1 \mu\text{F}$

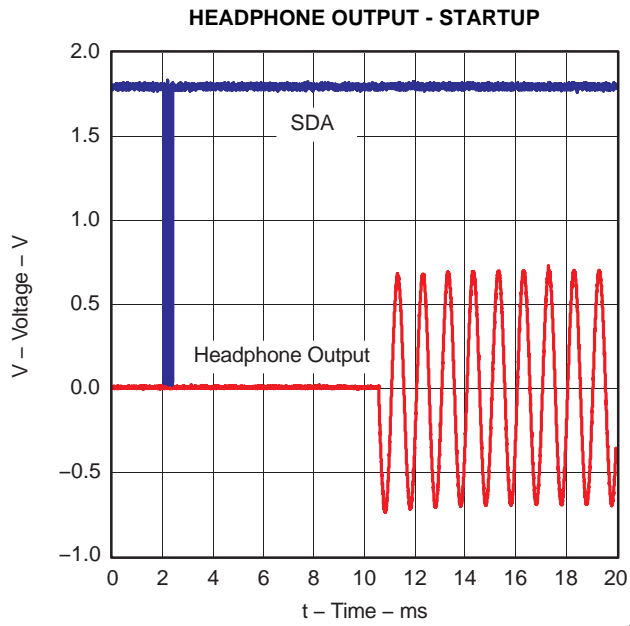


Figure 40.

G036

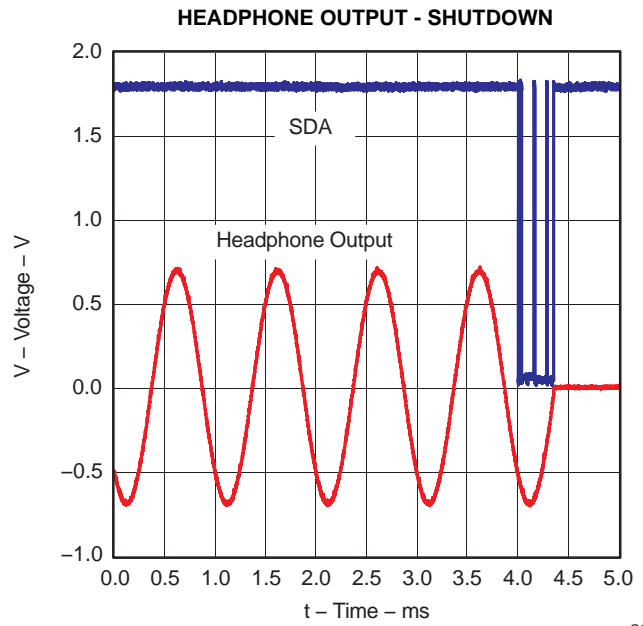


Figure 41.

G037

## DETAILED DESCRIPTION

### GENERAL I<sup>2</sup>C OPERATION

The I<sup>2</sup>C bus employs two signals, SDA (data) and SCL (clock), to communicate between integrated circuits in a system. The bus transfers data serially one bit at a time. The address and data 8-bit bytes are transferred most significant bit (MSB) first. In addition, each byte transferred on the bus is acknowledged by the receiving device with an acknowledge bit. Each transfer operation begins with the master device driving a start condition on the bus and ends with the master device driving a stop condition on the bus. The bus uses transitions on the data terminal (SDA) while the clock is at logic high to indicate start and stop conditions. A high-to-low transition on SDA indicates a start and a low-to-high transition indicates a stop. Normal data-bit transitions must occur within the low time of the clock period. Figure 42 shows a typical sequence. The master generates the 7-bit slave address and the read/write (R/W) bit to open communication with another device and then waits for an acknowledge condition. The TPA2054D4A holds SDA low during the acknowledge clock period to indicate acknowledgment. When this occurs, the master transmits the next byte of the sequence. Each device is addressed by a unique 7-bit slave address plus R/W bit (1 byte). All compatible devices share the same signals via a bidirectional bus using a wired-AND connection.

An external pull-up resistor must be used for the SDA and SCL signals to set the logic high level for the bus.

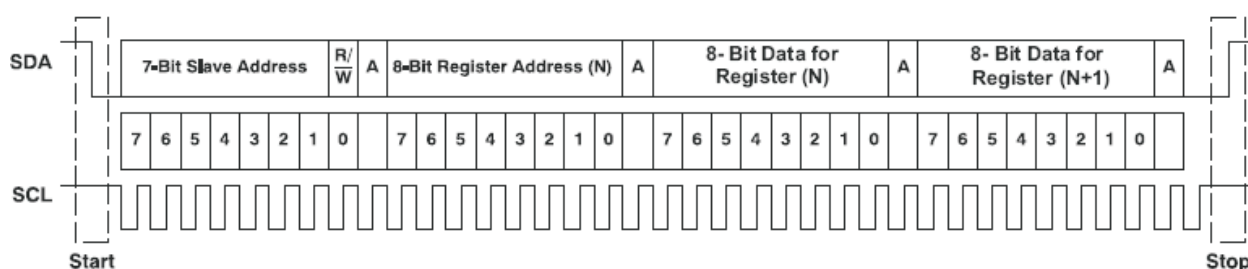


Figure 42. Typical I<sup>2</sup>C Sequence

There is no limit on the number of bytes that can be transmitted between start and stop conditions. When the last word transfers, the master generates a stop condition to release the bus. Figure 42 shows a generic data transfer sequence.

### SINGLE AND MULTI-BYTE TRANSFERS

The serial control interface supports both single-byte and multi-byte read/write operations for all registers. During multi-byte reads, the TPA2054D4A responds with data, one byte at a time, starting at the register assigned provided the master devices continue to acknowledge.

The TPA2054D4A supports sequential I<sup>2</sup>C addressing. For write transactions, if a register is issued followed by data for that register and all the remaining registers that follow, a sequential I<sup>2</sup>C write transaction has occurred. For I<sup>2</sup>C sequential write transactions, the register issued then serves as the starting point and the amount of data subsequently transmitted, before a stop or start is transmitted, determines how many registers are written to.

### SINGLE-BYTE WRITE

As shown in Figure 43, a single-byte data write transfer begins with the master device transmitting a start condition followed by the I<sup>2</sup>C device address and the read/write bit. The read/write bit determines the direction of the data transfer. For a write data transfer, the read/write bit must be set to 0. After receiving the correct I<sup>2</sup>C device address and the read/write bit, the TPA2054D4A responds with an acknowledge bit. Next, the master transmits the register byte corresponding to the TPA2054D4A internal memory address being accessed. After receiving the register byte, the TPA2054D4A again responds with an acknowledge bit. Finally, the master device transmits a data byte. After receiving the data byte, the TPA2054D4A again responds with an acknowledge bit. Finally, the master device transmits a stop condition to complete the single-byte data write transfer.

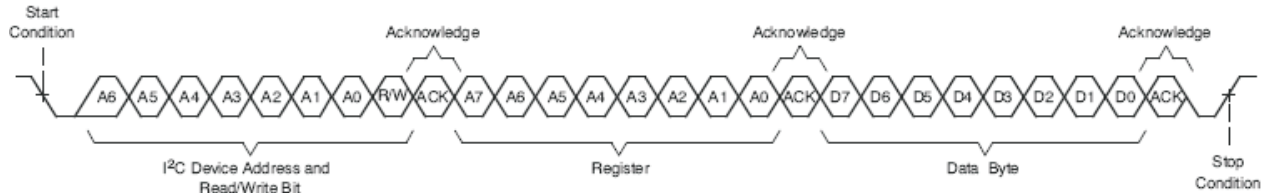


Figure 43. Single-Byte Write Transfer

### MULTI-BYTE WRITE AND INCREMENTAL MULTI-BYTE WRITER

A multiple-byte data write transfer is identical to a single-byte data write transfer with the exception that multiple data bytes are transmitted by the master device to the TPA2054D4A as shown in Figure 44. After receiving each data byte, the TPA2054D4A responds with an acknowledge bit.

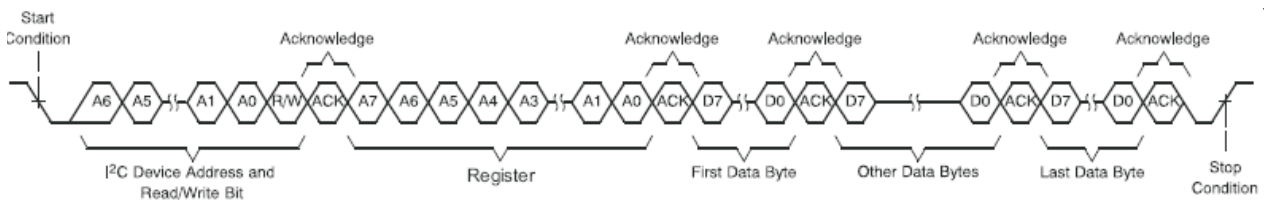


Figure 44. Multiple-Byte Write Transfer

### SINGLE-BYTE READ

As shown in Figure 45, a single-byte data read transfer begins with the master device transmitting a start condition followed by the I<sup>2</sup>C device address and the read/write bit. For the data read transfer, both a write followed by a read are actually done. Initially, a write is done to transfer the address byte of the internal memory address to be read. As a result, the read/write bit is set to a 0.

After receiving the TPA2054D4A address and the read/write bit, the TPA2054D4A responds with an acknowledge bit. The master then sends the internal memory address byte, after which the TPA2054D4A issues an acknowledge bit. The master device transmits another start condition followed by the TPA2054D4A address and the read/write bit again. This time, the read/write bit is set to 1, indicating a read transfer. Next, the TPA2054D4A transmits the data byte from the memory address being read. After receiving the data byte, the master device transmits a not-acknowledge followed by a stop condition to complete the single-byte data read transfer.

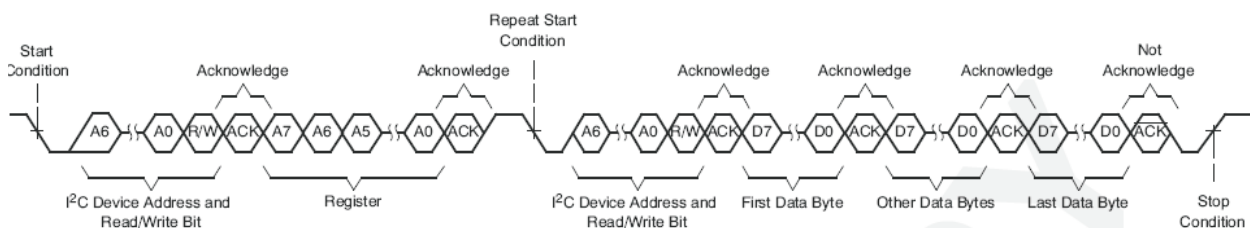


Figure 45. Single-Byte Read Transfer



### MULTI-BYTE READY

A multiple-byte data read transfer is identical to a single-byte read transfer except that multiple data bytes are transmitted by the TPA2054D4A to the master device as shown in Figure 46. With the exception of the last data byte, the master device responds with an acknowledge bit after receiving each data byte.

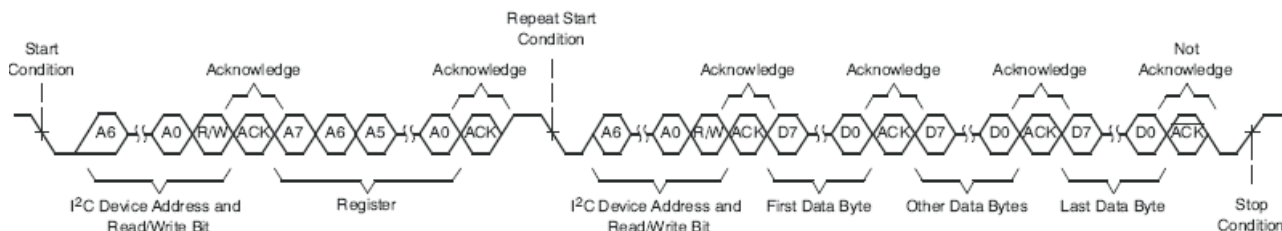


Figure 46. Multi-Byte Read Transfer

### REGISTER MAPS

| REGISTER | BIT 7    | BIT 6    | BIT 5    | BIT 4      | BIT 3      | BIT 2      | BIT 1      | BIT 0      |
|----------|----------|----------|----------|------------|------------|------------|------------|------------|
| 1        | Reserved | Reserved | Reserved | PAL_Fault  | PAR_Fault  | HPL_Fault  | HPR_Fault  | Thermal    |
| 2        | Reserved | Reserved | Reserved | SWS        | HPL_Enable | HPR_Enable | PA_Enable  | Reserved   |
| 3        | LIM_Lock | Reserved | Reserved | Reserved   | Reserved   | Mode[2]    | Mode[1]    | Mode[0]    |
| 4        | Reserved | Reserved | Reserved | Mon_Vol[4] | Mon_Vol[3] | Mon_Vol[2] | Mon_Vol[1] | Mon_Vol[0] |
| 5        | Reserved | Reserved | Reserved | ST1_Vol[4] | ST1_Vol[3] | ST1_Vol[2] | ST1_Vol[1] | ST1_Vol[0] |
| 6        | Reserved | Reserved | Reserved | ST2_Vol[4] | ST2_Vol[3] | ST2_Vol[2] | ST2_Vol[1] | ST2_Vol[0] |
| 7        | Reserved | Reserved | Reserved | HP_Vout[2] | HP_Vout[1] | HP_Vout[0] | HP_Gain[1] | HP_Gain[0] |

The TPA2054D4A I<sup>2</sup>C address is 0xE0 (binary 11100000) for writing and 0xE1 (binary 11100001) for reading. Refer to the General I<sup>2</sup>C Operation section for more details.

Bits labeled *Reserved* are reserved for future enhancements. They may not be written to as it may change the function of the device. If read, these bits may assume any value.

Any register above address 0x07 is reserved for testing and should not be written to because it may change the function of the device. If read, these bits may assume any value.

#### Fault Register (Address: 1)

| BIT         | 7        | 6        | 5        | 4         | 3         | 2         | 1         | 0       |
|-------------|----------|----------|----------|-----------|-----------|-----------|-----------|---------|
| Function    | Reserved | Reserved | Reserved | PAL_Fault | PAR_Fault | HPL_Fault | HPR_Fault | Thermal |
| Reset Value | 0        | 0        | 0        | 0         | 0         | 0         | 0         | 0       |

- Reserved** These bits are reserved for future enhancements. They will not change state if programmed. If read these bits may assume any value.
- PAL\_Fault** Logic high indicates an over-current event has occurred on the Class-D left channel output. This bit is clear-on-write. Only logic low can be written to this bit.
- PAR\_Fault** Logic high indicates an over-current event has occurred on the Class-D right channel output. This bit is clear-on-write. Only logic low can be written to this bit.
- HPL\_Fault** Logic high indicates an over-current event has occurred on the headphone left channel output. This bit is clear-on-write. Only logic low can be written to this bit.
- HPR\_Fault** Logic high indicates an over-current event has occurred on the headphone right channel output. This bit is clear-on-write. Only logic low can be written to this bit.
- Thermal** Logic high indicates thermal shutdown activated. Bit automatically clears when the thermal condition lowers past the hysteresis threshold.

**Power Management Register (Address: 2)**

| BIT         | 7        | 6        | 5        | 4   | 3          | 2          | 1         | 0        |
|-------------|----------|----------|----------|-----|------------|------------|-----------|----------|
| Function    | Reserved | Reserved | Reserved | SWS | HPL_Enable | HPR_Enable | PA_Enable | Reserved |
| Reset Value | 0        | 0        | 0        | 1   | 0          | 0          | 0         | 0        |

**Reserved** These bits are reserved for future enhancements. They will not change state if programmed. If read these bits may assume any value.

**SWS** Software shutdown. Set to logic high to deactivate the TPA2054D4A. Logic low reactivates the charge pump and input amplifiers; enable headphone and Class-D amplifiers using HPL\_Enable, HPR\_Enable, and PA\_Enable. Default on turn-on is SWS logic high.

**HPL\_Enable** Headphone left channel enable. Set to logic low to deactivate left channel.

**HPR\_Enable** Headphone right channel enable. Set to logic low to deactivate right channel.

**PA\_Enable** Class-D power amplifier enable. Set to logic low to deactivate both left and right Class-D power amplifiers.

**Mux Output Control Register (Address: 3)**

| BIT         | 7        | 6        | 5        | 4        | 3        | 2       | 1       | 0       |
|-------------|----------|----------|----------|----------|----------|---------|---------|---------|
| Function    | LIM_Lock | Reserved | Reserved | Reserved | Reserved | Mode[2] | Mode[1] | Mode[0] |
| Reset Value | 0        | 0        | 0        | 0        | 0        | 0       | 0       | 1       |

**Reserved** These bits are reserved for future enhancements. They will not change state if programmed. If read these bits may assume any value.

**LIM\_Lock** Limiter change lockout. Set bit to logic high to prevent any changes to the HP\_Vout[2:0] and LIM\_Lock bits. The LIM\_Lock bit can only be returned to 0 by applying logic low to the RESET pin or powering down VDD.

**Mode[2:0]** Sets mux output mode. Refer to Modes of Operation section for details. Default mode is 001 (Stereo 1 Input mode) on power-up.

**Mono Input Volume Control Register (Address: 4)**

| BIT         | 7        | 6        | 5        | 4          | 3          | 2          | 1          | 0          |
|-------------|----------|----------|----------|------------|------------|------------|------------|------------|
| Function    | Reserved | Reserved | Reserved | Mon_Vol[4] | Mon_Vol[3] | Mon_Vol[2] | Mon_Vol[1] | Mon_Vol[0] |
| Reset Value | 0        | 0        | 0        | 1          | 0          | 0          | 1          | 1          |

**Reserved** These bits are reserved for future enhancements. They will not change state if programmed. If read these bits may assume any value.

**Mon\_Vol[4:0]** Five-bit volume control for Mono Input. 11111 sets device to its highest gain (+24 dB); 00000 sets device to its lowest gain (–66 dB). Default setting on power-up is 10011 (+7 dB).

**Stereo Input 1 Volume Control Register (Address: 5)**

| BIT         | 7        | 6        | 5        | 4          | 3          | 2          | 1          | 0          |
|-------------|----------|----------|----------|------------|------------|------------|------------|------------|
| Function    | Reserved | Reserved | Reserved | ST1_Vol[4] | ST1_Vol[3] | ST1_Vol[2] | ST1_Vol[1] | ST1_Vol[0] |
| Reset Value | 0        | 0        | 0        | 1          | 0          | 0          | 0          | 0          |

**Reserved** These bits are reserved for future enhancements. They will not change state if programmed. If read these bits may assume any value.

**ST1\_Vol[4:0]** Five-bit volume control for Stereo Input 1 in single-ended input mode and stereo input pair in differential input mode. 11111 sets device to its highest gain (+24 dB); 00000 sets device to its lowest gain (–66 dB). Default setting on power-up is 10000 (+0 dB).

**Stereo Input 2 Volume Control Register (Address: 6)**

| BIT         | 7        | 6        | 5        | 4          | 3          | 2          | 1          | 0          |
|-------------|----------|----------|----------|------------|------------|------------|------------|------------|
| Function    | Reserved | Reserved | Reserved | ST2_Vol[4] | ST2_Vol[3] | ST2_Vol[2] | ST2_Vol[1] | ST2_Vol[0] |
| Reset Value | 0        | 0        | 0        | 1          | 0          | 0          | 0          | 0          |

**Reserved** These bits are reserved for future enhancements. They will not change state if programmed. If read these bits may assume any value.

**ST2\_Vol[4:0]** Five-bit volume control for Stereo Input 2. 11111 sets device to its highest gain (+24 dB); 00000 sets device to its lowest gain (–66 dB). Default setting on power-up is 10000 (+0 dB).

**Headphone Output Control Register (Address: 7)**

| BIT         | 7        | 6        | 5        | 4          | 3          | 2          | 1          | 0          |
|-------------|----------|----------|----------|------------|------------|------------|------------|------------|
| Function    | Reserved | Reserved | Reserved | HP_Vout[2] | HP_Vout[1] | HP_Vout[0] | HP_Gain[1] | HP_Gain[0] |
| Reset Value | 0        | 0        | 0        | 0          | 0          | 0          | 0          | 0          |

**Reserved** These bits are reserved for future enhancements. They will not change state if programmed. If read these bits may assume any value.

**HP\_Vout[2:0]** Headphone output voltage limiter. Sets the maximum output voltage / power to the headphones.

**HP\_Gain[1:0]** Headphone gain select. Sets the gain of the headphone output amplifiers.

## MODES OF OPERATION

The TPA2054D4A has several operating modes for single-ended and differential inputs. Stereo 1 refers to the LIN\_1 and RIN\_1 input pair; Stereo 2 refers to the LIN\_2 and RIN\_2 input pair.

### Mux Output Mode

The input mux selects which device input is directed to both the Class-D and headphone amplifiers. Mux summing and output are after the channel volume controls, as shown in the Simplified Functional Diagram. Program the mux mode using the Mode[2:0] bits in Mux Output Control (Register 3, Bits 0–2). Select the appropriate mode according to the table below.

| MODE BYTE:<br>MODE[2:0] | MUX MODE                        | MUX OUTPUT                    |                               | MUX OUTPUT DESCRIPTION  |
|-------------------------|---------------------------------|-------------------------------|-------------------------------|---|
|                         |                                 | LEFT                          | RIGHT                         |   |
| 000                     | Mono Input                      | Mono+ – Mono-                 | Mono+ – Mono-                 | Differential mono input   |
| 001                     | Stereo 1 Input                  | LIN_1                         | RIN_1                         | LIN_1 and RIN_1 stereo single-ended input   |
| 010                     | Stereo 2 Input                  | LIN_2                         | RIN_2                         | LIN_2 and RIN_2 stereo single-ended input   |
| 011                     | Stereo Differential             | LIN_1–RIN_1                   | LIN_2–RIN_2                   | LIN_1 and RIN_1 compose the left channel; LIN_2 and RIN_2 compose the right channel             |
| 100                     | Stereo Differential (mono-mode) | (LIN_1–RIN_1) + (LIN_2–RIN_2) | (LIN_1–RIN_1) + (LIN_2–RIN_2) | Left and right differential inputs summed and directed to left and right mux output             |
| 101                     | Stereo 1 (mono-mode)            | LIN_1 + RIN_1                 | LIN_1 + RIN_1                 | LIN_1 + RIN_1 distributed to both left and right inputs of the headphone and Class-D amplifiers |
| 110                     | Stereo 2 (mono-mode)            | LIN_2 + RIN_2                 | LIN_2 + RIN_2                 | LIN_2 + RIN_2 distributed to both left and right inputs of the headphone and Class-D amplifiers |
| 111                     | Mute                            | Mute                          | Mute                          | All inputs muted; no audio available at mux output  |

### Differential Input Mode

The LIN\_1 and RIN\_1 input pair and the LIN\_2 and RIN\_2 input pair are configurable as either single-ended or differential inputs. Differential transmission between an audio source and the TPA2054D4A input improves system noise rejection when compared to single-ended transmission.

In differential input modes, connect the Left+ and Left– source signal to LIN\_1 and RIN\_1, respectively; connect Right+ and Right– to LIN\_2 and RIN\_2, respectively. Single-ended input modes allow selection between two stereo sources. Differential input modes allow connection to only one stereo source.

## START-UP SEQUENCING AND SHUTDOWN CONTROL

For correct start up with no turn-on pop, apply PVDD and VDDHP before applying DVDD. The TPA2054D4A starts up in soft shutdown mode with the SWS bit (Register 2, Bit 4) at logic high.

The stereo Class-D power amplifiers, left headphone amplifier, and right headphone amplifier each have their own enable bits within the Power Management byte (Register 2, Bits 3–1). Set the corresponding bit to logic high to enable these amplifiers. Disabling an amplifier mutes its output and reduces supply current. Set SWS to logic high to deactivate all sections except the I2C interface, reducing total supply current to 2  $\mu$ A, max.

Set  $\overline{\text{RESET}}$  to logic low to deactivate all sections including the I<sup>2</sup>C interface. The I<sup>2</sup>C registers cannot be programmed while  $\overline{\text{RESET}}$  remains at logic low. Refer to the Headphone Output Limiter Lockout section for more details on using  $\overline{\text{RESET}}$ .

All register contents are maintained provided the supply voltage is not powered down and  $\overline{\text{RESET}}$  remains at logic high. On deactivation of DVDD or PVDD, or on  $\overline{\text{RESET}}$  set to logic low, all information programmed into the registers by the user is lost, returning to their default state once power is reapplied.

## Class-D Output Amplifiers

To enable both Class-D power amplifiers, set the PA\_Enable bit (Register 2, Bit 1) to logic high. The left and right channel Class-D outputs cannot be separately activated. Total Class-D section typical current is 7 mA when active and less than 1  $\mu$ A when deactivated.

All Class-D outputs have short-circuit current protection and thermal overload protection. The PAL\_Fault and PAR\_Fault bits (Register 1, Bits 4 and 3) indicate an over-current event on the left and right Class-D channel outputs. These bits are clear-on-write; only logic low can be written.

The Thermal bit (Register 1, Bit 1) goes to logic high if a thermal shutdown event occurs. It returns to logic low once the device temperature returns below 150°C.

## DirectPath Headphone Amplifier

Set the HPL\_Enable bit (Register 2, Bit 3) to logic high to enable the headphone left output and the HPR\_Enable bit (Register 2, Bit 2) to logic high to enable the headphone right output. The headphone amplifier draws 10 mA of typical supply current with both left and right outputs active and less than 1  $\mu$ A when deactivated.

The HPL\_Fault and HPR\_Fault bits (Register 1, Bits 2 and 1) indicate an over-current event on the left and right headphone outputs. These bits are clear-on-write; only logic low can be written.

## HEADPHONE OUTPUT LIMITER LOCKOUT

Setting the LIM\_Lock bit (Register 3, Bit 7) to logic high prevents any register changes to the HP\_Vout byte (Register 7, Bits 4-2) and the LIM\_Lock bit itself. The LIM\_Lock bit will remain locked at logic high until the power supply is deactivated or logic low is applied to the  $\overline{\text{RESET}}$  pin. All volume control, mux modes and shutdown registers remain writable regardless of LIM\_Lock status.

## MAXIMUM HEADPHONE POWER REGULATOR

The HP\_Vout byte (Register 7, Bits 4-2) sets the maximum output voltage from the headphone amplifiers. This is useful for limiting the maximum output power to the headphones. The HP\_Vout byte sets the internally regulated supply voltage to the headphone amplifiers according to the table below. The table also shows the equivalent 10% THD output into 16  $\Omega$  and 32  $\Omega$  loads.

| MAX HEADPHONE OUTPUT BYTE: HP_VOUT[2:0] | V <sub>OUT,MAX</sub>       | P <sub>OUT,MAX</sub> INTO 16 $\Omega$ (10% THD) | P <sub>OUT,MAX</sub> INTO 32 $\Omega$ (10% THD) |
|---|----------------------------|---|---|
| 000                                     | $\pm$ VDDHP <sup>(1)</sup> | 130 mW (at VDDHP = 3.6 V)                       | 65 mW (at VDDHP = 3.6 V)                        |
| 001                                     | $\pm$ 1.13 V               | 40 mW   | 20 mW   |
| 010                                     | $\pm$ 0.54 V               | 9 mW  | 4.5 mW  |
| 011                                     | $\pm$ 0.38 V               | 4.5 mW  | 2.3 mW  |
| 100                                     | $\pm$ 0.315 V              | 3.1 mW  | 1.6 mW  |
| 101                                     | $\pm$ 0.253 V              | 2.0 mW  | 1.0 mW  |
| 110                                     | $\pm$ 0.227 V              | 1.6 mW  | 0.8 mW  |
| 111                                     | $\pm$ 0.196 V              | 1.2 mW  | 0.6 mW  |

(1) With no load. Maximum output voltage decreases as load resistance decreases.

## HEADPHONE GAIN VALUES

For the DirectPath headphone amplifier, left and right output channels

| HEADPHONE GAIN REGISTER BYTE: HP_GAIN[1:0] | NOMINAL GAIN |
|--|--------------|
| 00   | +6 dB        |
| 01   | 0 dB         |
| 10   | -6 dB        |
| 11   | -14 dB       |

## INPUT VOLUME CONTROL

The TPA2054D4A has three independent volume controls: one for the Mono differential input, one for the STEREO1 input pair (LIN\_1 and RIN\_1), and one for the STEREO2 input pair (LIN\_2 and RIN\_2). Each has 5-bit (32-step) resolution and are audio tapered; gain step changes are smaller at higher gain settings. The volume control range is –66 dB to +24 dB.

Total input-to-output gain is input gain plus the headphone or Class-D amplifier gain. The Class-D amplifier gain is fixed at +6 dB. The headphone gain is programmable at +6 dB (default), 0 dB, –6 dB, and –14 dB. Headphone gain is set via the I2C interface.

The Mono Input volume control byte is located at Register 4, Bits 4 – 0. The Stereo Input 1 volume control byte is located at Register 5, Bits 4–0. The Stereo Input 2 volume control byte is at Register 6, Bits 4–0. Gain matching between the left and right channels for STEREO1 and STEREO2 is within 0.1 dB. In differential input mode, the Stereo Input 1 byte (Register 5) controls left and right channel gain.

The input impedance to the TPA2054D4A decreases as channel gain increases. See the Operating Characteristics section for specifications. Values listed in Audio Taper Gain Values table are nominal values.

## AUDIO TAPER GAIN VALUES

For input channel volume controls

| VOLUME CONTROL REGISTER BYTE: VOL[4:0] | NOMINAL GAIN | VOLUME CONTROL REGISTER BYTE: VOL[4:0] | NOMINAL GAIN |
|--|--------------|--|--------------|
| 00000                                  | –66 dB       | 10000                                  | 0 dB         |
| 00001                                  | –56 dB       | 10001                                  | +3 dB        |
| 00010                                  | –48 dB       | 10010                                  | +5 dB        |
| 00011                                  | –44 dB       | 10011                                  | +7 dB        |
| 00100                                  | –40 dB       | 10100                                  | +9 dB        |
| 00101                                  | –36 dB       | 10101                                  | +11 dB       |
| 00110                                  | –32 dB       | 10110                                  | +13 dB       |
| 00111                                  | –28 dB       | 10111                                  | +15 dB       |
| 01000                                  | –24 dB       | 11000                                  | +17 dB       |
| 01001                                  | –21 dB       | 11001                                  | +18 dB       |
| 01010                                  | –18 dB       | 11010                                  | +19 dB       |
| 01011                                  | –15 dB       | 11011                                  | +20 dB       |
| 01100                                  | –12 dB       | 11100                                  | +21 dB       |
| 01101                                  | –9 dB        | 11101                                  | +22 dB       |
| 01110                                  | –6 dB        | 11110                                  | +23 dB       |
| 01111                                  | –3 dB        | 11111                                  | +24 dB       |

## DECOUPLING CAPACITOR, $C_S$

The TPA2054D4A is a high-performance Class-D audio amplifier that requires adequate power supply decoupling to ensure the efficiency is high and total harmonic distortion (THD) is low. For higher frequency transients, spikes, or digital hash on the line, a good low equivalent-series-resistance (ESR) 1- $\mu$ F ceramic capacitor (typically) placed as close as possible to the device PVDD (L, R) lead works best. Placing this decoupling capacitor close to the TPA2054D4A is important for the efficiency of the Class-D amplifier, because any resistance or inductance in the trace between the device and the capacitor can cause a loss in efficiency. For filtering lower-frequency noise signals, a 4.7  $\mu$ F or greater capacitor placed near the audio power amplifier would also help, but it is not required in most applications because of the high PSRR of this device.

## INPUT CAPACITORS, $C_I$

The input capacitors and input resistors form a high-pass filter with the corner frequency,  $f_C$ , determined in [Equation 1](#).

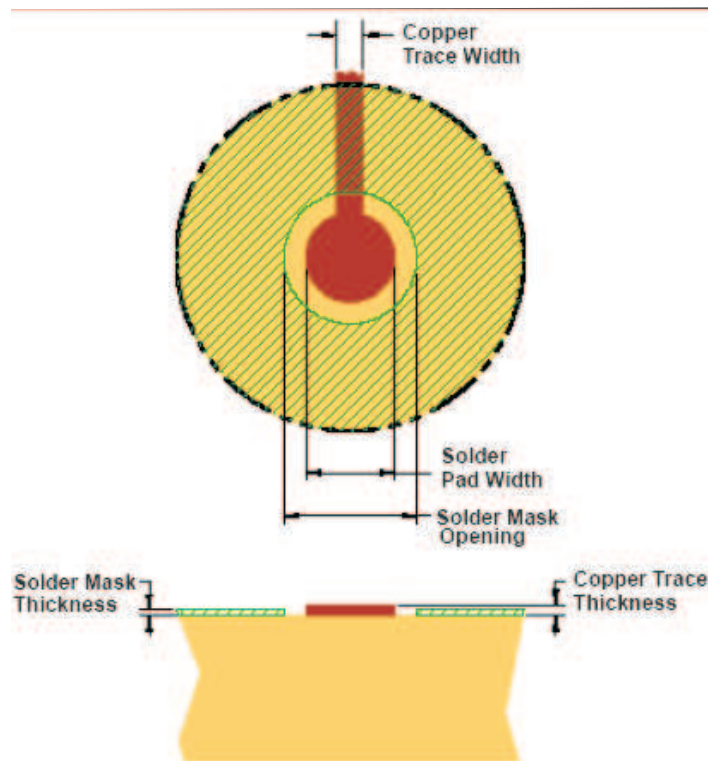
$$f_C = \frac{1}{(2\pi \times R_I \times C_I)} \quad (1)$$

The value of the input capacitor is important to consider as it directly affects the bass (low frequency) performance of the circuit. Speakers in wireless phones cannot usually respond well to low frequencies, so the corner frequency can be set to block low frequencies in this application. Not using input capacitors can increase output offset. [Equation 2](#) is used to solve for the input coupling capacitance. If the corner frequency is within the audio band, the capacitors should have a tolerance of  $\pm 10\%$  or better, because any mismatch in capacitance causes an impedance mismatch at the corner frequency and below.

$$C_I = \frac{1}{(2\pi \times R_I \times f_C)} \quad (2)$$

## BOARD LAYOUT

In making the pad size for the WCSP balls, it is recommended that the layout use non solder mask defined (NSMD) land. With this method, the solder mask opening is made larger than the desired land area, and the opening size is defined by the copper pad width. [Figure 47](#) and [Table 1](#) shows the appropriate diameters for a WCSP layout. The TPA2054D4A evaluation module (EVM) layout is shown in the next section as a layout example.



**Figure 47. Land Pattern Dimensions**

**Table 1. Land Pattern Dimensions<sup>(1) (2) (3) (4)</sup>**

| SOLDER PAD DEFINITIONS         | COPPER PAD                                      | SOLDER MASK <sup>(5)</sup> OPENING              | COPPER THICKNESS             | STENCIL <sup>(6) (7)</sup> OPENING                                 | STENCIL THICKNESS       |
|--------------------------------|---|---|------------------------------|--|-------------------------|
| Non solder mask defined (NSMD) | 275 $\mu\text{m}$<br>(+0.0, -25 $\mu\text{m}$ ) | 375 $\mu\text{m}$<br>(+0.0, -25 $\mu\text{m}$ ) | 1 oz max (32 $\mu\text{m}$ ) | 275 $\mu\text{m}$ $\times$ 275 $\mu\text{m}$ Sq. (rounded corners) | 125 $\mu\text{m}$ thick |

- (1) Circuit traces from NSMD defined PWB lands should be 75  $\mu\text{m}$  to 100  $\mu\text{m}$  wide in the exposed area inside the solder mask opening. Wider trace widths reduce device stand off and impact reliability.
- (2) Best reliability results are achieved when the PWB laminate glass transition temperature is above the operating the range of the intended application.
- (3) Recommend solder paste is Type 3 or Type 4.
- (4) For a PWB using a Ni/Au surface finish, the gold thickness should be less 0.5  $\mu\text{m}$  to avoid a reduction in thermal fatigue performance.
- (5) Solder mask thickness should be less than 20  $\mu\text{m}$  on top of the copper circuit pattern
- (6) Best solder stencil performance is achieved using laser cut stencils with electro polishing. Use of chemically etched stencils results in inferior solder paste volume control.
- (7) Trace routing away from WCSP device should be balanced in X and Y directions to avoid unintentional component movement due to solder wetting forces.

## COMPONENT LOCATION

Place all the external components very close to the TPA2054D4A. Placing the decoupling capacitor,  $C_S$ , close to the TPA2054D4A is important for the efficiency of the Class-D amplifier. Any resistance or inductance in the trace between the device and the capacitor can cause a loss in efficiency.

## TRACE WIDTH

Recommended trace width at the solder balls is 75  $\mu\text{m}$  to 100  $\mu\text{m}$  to prevent solder wicking onto wider PCB traces. For high current pins (PVDD (L, R), PGND, and audio output pins) of the TPA2054D4A, use 100- $\mu\text{m}$  trace widths at the solder balls and at least 500- $\mu\text{m}$  PCB traces to ensure proper performance and output power for the device. For the remaining signals of the TPA2054D4A, use 75- $\mu\text{m}$  to 100- $\mu\text{m}$  trace widths at the solder balls. The audio input pins (INR $\pm$  and INL $\pm$ ) must run side-by-side to maximize common-mode noise cancellation.



## EFFICIENCY AND THERMAL INFORMATION

The maximum ambient temperature depends on the heat-sinking ability of the PCB system. The derating factor for the packages are shown in the dissipation rating table. Converting this to  $\theta_{JA}$  for the WCSP package:

$$\theta_{JA} = \frac{1}{\text{Derating Factor}} = \frac{1}{0.009} = 111^{\circ}\text{C/W} \quad (3)$$

Given  $\theta_{JA}$  of  $111^{\circ}\text{C/W}$ , the maximum allowable junction temperature of  $150^{\circ}\text{C}$ , and the maximum internal dissipation of 0.12 W (0.06 W per channel) for 1.4 W per channel, 8- $\Omega$  load, 5-V supply, from [Figure 24](#), the maximum ambient temperature can be calculated with the following equation:

$$T_{A\text{Max}} = T_{J\text{Max}} - \theta_{JA}P_{D\text{MAX}} = 150 - 111(0.12) = 137^{\circ}\text{C} \quad (4)$$

[Equation 4](#) shows that the calculated maximum ambient temperature is  $137^{\circ}\text{C}$  at maximum power dissipation with a 5-V supply and 8- $\Omega$  load. The TPA2054D4A is designed with thermal protection that turns the device off when the junction temperature surpasses  $150^{\circ}\text{C}$  to prevent damage to the IC. Also, using speakers more resistive than 8- $\Omega$  dramatically increases the thermal performance by reducing the output current and increasing the efficiency of the amplifier.

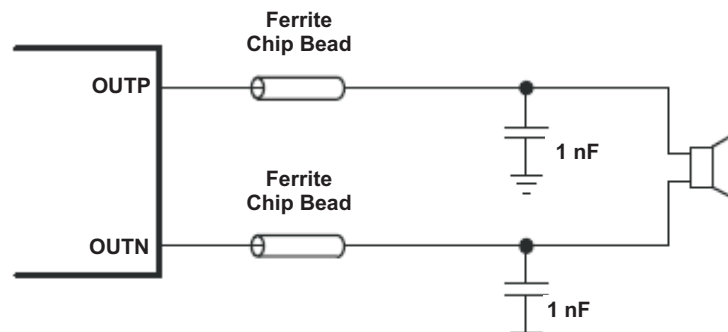
## OPERATION WITH DACS AND CODECS

In using Class-D amplifiers with CODECs and DACs, sometimes there is an increase in the output noise floor from the audio amplifier. This occurs when mixing of the output frequencies of the CODEC/DAC mix with the switching frequencies of the audio amplifier input stage. The noise increase can be solved by placing a low-pass filter between the CODEC/DAC and audio amplifier. This filters off the high frequencies that cause the problem and allow proper performance. See the functional block diagram.

## FILTER FREE OPERATION AND FERRITE BEAD FILTERS

A ferrite bead filter can often be used if the design is failing radiated emissions without an LC filter and the frequency sensitive circuit is greater than 1 MHz. This filter functions well for circuits that just have to pass FCC and CE because FCC and CE only test radiated emissions greater than 30 MHz. When choosing a ferrite bead, choose one with high impedance at high frequencies, and low impedance at low frequencies. In addition, select a ferrite bead with adequate current rating to prevent distortion of the output signal.

Use an LC output filter if there are low frequency (< 1 MHz) EMI sensitive circuits and/or there are long leads from amplifier to speaker. [Figure 48](#) shows typical ferrite bead and LC output filters.



**Figure 48. Typical Ferrite Bead Filter (Chip bead example: TDK: MPZ1608S221A)**

**PACKAGING INFORMATION**

| Orderable Device | Status<br>(1) | Package Type | Package Drawing | Pins | Package Qty | Eco Plan<br>(2) | Lead finish/<br>Ball material<br>(6) | MSL Peak Temp<br>(3) | Op Temp (°C) | Device Marking<br>(4/5) | Samples                 |
|------------------|---------------|--------------|-----------------|------|-------------|-----------------|--------------------------------------|----------------------|--------------|-------------------------|-------------------------|
| TPA2054D4AYZKR   | ACTIVE        | DSBGA        | YZK             | 25   | 3000        | RoHS & Green    | SNAGCU                               | Level-1-260C-UNLIM   | -40 to 85    | TPA2054D4A              | <a href="#">Samples</a> |
| TPA2054D4AYZKT   | ACTIVE        | DSBGA        | YZK             | 25   | 250         | RoHS & Green    | SNAGCU                               | Level-1-260C-UNLIM   | -40 to 85    | TPA2054D4A              | <a href="#">Samples</a> |

(1) The marketing status values are defined as follows:

**ACTIVE:** Product device recommended for new designs.

**LIFEBUY:** TI has announced that the device will be discontinued, and a lifetime-buy period is in effect.

**NRND:** Not recommended for new designs. Device is in production to support existing customers, but TI does not recommend using this part in a new design.

**PREVIEW:** Device has been announced but is not in production. Samples may or may not be available.

**OBSELETE:** TI has discontinued the production of the device.

(2) **RoHS:** TI defines "RoHS" to mean semiconductor products that are compliant with the current EU RoHS requirements for all 10 RoHS substances, including the requirement that RoHS substance do not exceed 0.1% by weight in homogeneous materials. Where designed to be soldered at high temperatures, "RoHS" products are suitable for use in specified lead-free processes. TI may reference these types of products as "Pb-Free".

**RoHS Exempt:** TI defines "RoHS Exempt" to mean products that contain lead but are compliant with EU RoHS pursuant to a specific EU RoHS exemption.

**Green:** TI defines "Green" to mean the content of Chlorine (Cl) and Bromine (Br) based flame retardants meet JS709B low halogen requirements of <=1000ppm threshold. Antimony trioxide based flame retardants must also meet the <=1000ppm threshold requirement.

(3) MSL, Peak Temp. - The Moisture Sensitivity Level rating according to the JEDEC industry standard classifications, and peak solder temperature.

(4) There may be additional marking, which relates to the logo, the lot trace code information, or the environmental category on the device.

(5) Multiple Device Markings will be inside parentheses. Only one Device Marking contained in parentheses and separated by a "~" will appear on a device. If a line is indented then it is a continuation of the previous line and the two combined represent the entire Device Marking for that device.

(6) Lead finish/Ball material - Orderable Devices may have multiple material finish options. Finish options are separated by a vertical ruled line. Lead finish/Ball material values may wrap to two lines if the finish value exceeds the maximum column width.

**Important Information and Disclaimer:**The information provided on this page represents TI's knowledge and belief as of the date that it is provided. TI bases its knowledge and belief on information provided by third parties, and makes no representation or warranty as to the accuracy of such information. Efforts are underway to better integrate information from third parties. TI has taken and continues to take reasonable steps to provide representative and accurate information but may not have conducted destructive testing or chemical analysis on incoming materials and chemicals. TI and TI suppliers consider certain information to be proprietary, and thus CAS numbers and other limited information may not be available for release.

In no event shall TI's liability arising out of such information exceed the total purchase price of the TI part(s) at issue in this document sold by TI to Customer on an annual basis.



**TAPE AND REEL INFORMATION**

**QUADRANT ASSIGNMENTS FOR PIN 1 ORIENTATION IN TAPE**


\*All dimensions are nominal

| Device         | Package Type | Package Drawing | Pins | SPQ  | Reel Diameter (mm) | Reel Width W1 (mm) | A0 (mm) | B0 (mm) | K0 (mm) | P1 (mm) | W (mm) | Pin1 Quadrant |
|----------------|--------------|-----------------|------|------|--------------------|--------------------|---------|---------|---------|---------|--------|---------------|
| TPA2054D4AYZKR | DSBGA        | YZK             | 25   | 3000 | 180.0              | 8.4                | 2.75    | 2.75    | 0.81    | 4.0     | 8.0    | Q1            |
| TPA2054D4AYZKT | DSBGA        | YZK             | 25   | 250  | 180.0              | 8.4                | 2.75    | 2.75    | 0.81    | 4.0     | 8.0    | Q1            |

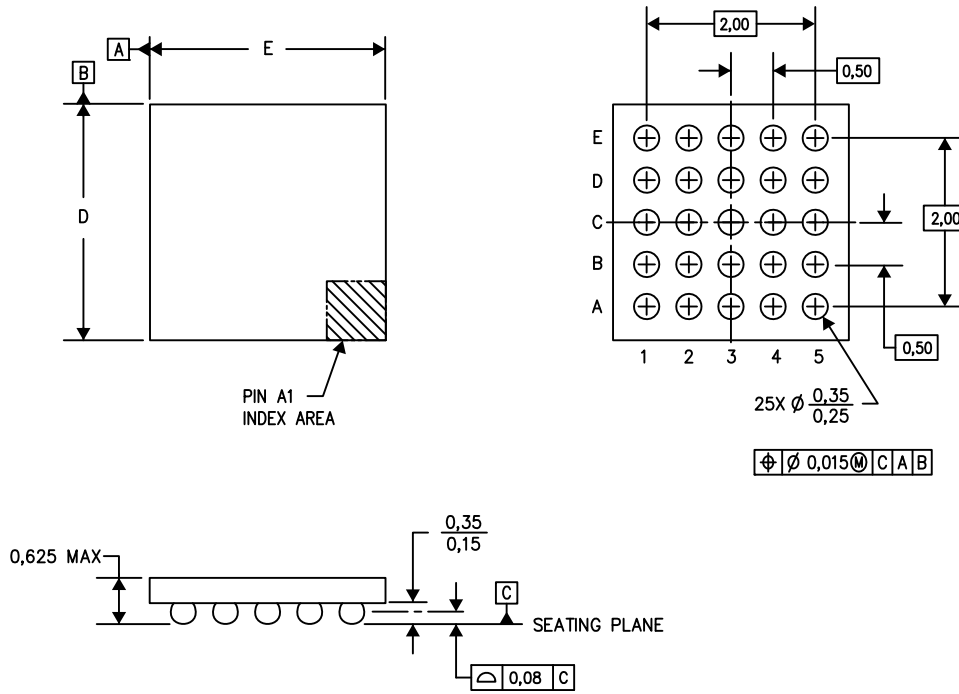
**TAPE AND REEL BOX DIMENSIONS**


\*All dimensions are nominal

| Device         | Package Type | Package Drawing | Pins | SPQ  | Length (mm) | Width (mm) | Height (mm) |
|----------------|--------------|-----------------|------|------|-------------|------------|-------------|
| TPA2054D4AYZKR | DSBGA        | YZK             | 25   | 3000 | 182.0       | 182.0      | 20.0        |
| TPA2054D4AYZKT | DSBGA        | YZK             | 25   | 250  | 182.0       | 182.0      | 20.0        |

YZK (S-XBGA-N25)

DIE-SIZE BALL GRID ARRAY



D: Max = 2.602 mm, Min = 2.542 mm

E: Max = 2.602 mm, Min = 2.542 mm

4205062-3/F 07/13

- NOTES:
- A. All linear dimensions are in millimeters. Dimensioning and tolerancing per ASME Y14.5M-1994.
  - B. This drawing is subject to change without notice.
  - C. NanoFree™ package configuration.

NanoFree is a trademark of Texas Instruments.

## IMPORTANT NOTICE AND DISCLAIMER

TI PROVIDES TECHNICAL AND RELIABILITY DATA (INCLUDING DATA SHEETS), DESIGN RESOURCES (INCLUDING REFERENCE DESIGNS), APPLICATION OR OTHER DESIGN ADVICE, WEB TOOLS, SAFETY INFORMATION, AND OTHER RESOURCES "AS IS" AND WITH ALL FAULTS, AND DISCLAIMS ALL WARRANTIES, EXPRESS AND IMPLIED, INCLUDING WITHOUT LIMITATION ANY IMPLIED WARRANTIES OF MERCHANTABILITY, FITNESS FOR A PARTICULAR PURPOSE OR NON-INFRINGEMENT OF THIRD PARTY INTELLECTUAL PROPERTY RIGHTS.

These resources are intended for skilled developers designing with TI products. You are solely responsible for (1) selecting the appropriate TI products for your application, (2) designing, validating and testing your application, and (3) ensuring your application meets applicable standards, and any other safety, security, regulatory or other requirements.

These resources are subject to change without notice. TI grants you permission to use these resources only for development of an application that uses the TI products described in the resource. Other reproduction and display of these resources is prohibited. No license is granted to any other TI intellectual property right or to any third party intellectual property right. TI disclaims responsibility for, and you will fully indemnify TI and its representatives against, any claims, damages, costs, losses, and liabilities arising out of your use of these resources.

TI's products are provided subject to [TI's Terms of Sale](#) or other applicable terms available either on [ti.com](https://www.ti.com) or provided in conjunction with such TI products. TI's provision of these resources does not expand or otherwise alter TI's applicable warranties or warranty disclaimers for TI products.

TI objects to and rejects any additional or different terms you may have proposed.

Mailing Address: Texas Instruments, Post Office Box 655303, Dallas, Texas 75265  
Copyright © 2024, Texas Instruments Incorporated