

# TPS65235 I<sup>2</sup>C インターフェイス搭載の LNB 電圧レギュレータ

## 1 特長

- LNB および I<sup>2</sup>C インターフェイス用の完全な統合ソリューション
- DiSEqC 2.x および DiSEqC 1.x 互換
- 5V、12V、15V の電源レールに対応
- 外付け抵抗により 1000mA までの高精度出力電流制限を設定可能
- 昇圧スイッチ・ピーク電流制限は LDO 電流制限に比例
- 140mΩ の低 R<sub>ds(on)</sub> 内部電力スイッチ付き昇圧コンバータ
- 昇圧スイッチング周波数は 1MHz または 500kHz を選択可能
- I<sup>2</sup>C 以外のアプリケーション用の専用イネーブル・ピン
- 低ドロップ出力 LDO と、VLNB 出力用のプッシュプル出力段
- 高精度の 22kHz トーン・ジェネレータを搭載、外部トーン入力をサポート
- 外部の 44kHz および 22kHz トーン入力をサポート
- ソフトスタートおよび 13V から 18V への電圧遷移時間を調整可能
- 650mV～750mV、22kHz のトーン振幅選択
- EN LOW 時に I<sup>2</sup>C レジスタへアクセス可能
- 動的な短絡保護
- 出力電圧レベル、DiSEqC トーン入力および出力、電流レベル、ケーブル接続の診断
- 過熱保護機能を搭載
- 20 ピンの WQFN 3mm × 3mm (RUK) パッケージ

## 2 アプリケーション

- セットトップ・ボックスの衛星放送受信機
- テレビの衛星放送受信機
- PC カードの衛星放送受信機
- 衛星放送テレビ

## 3 概要

TPS65235 は、I<sup>2</sup>C インターフェイスを搭載したモノリシックな電圧レギュレータで、アナログおよびデジタルの衛星放送受信機用に設計されており、13V～18V の電源と 22kHz のトーン信号を、皿型アンテナの LNB ダウン・コンバータ、またはマルチスイッチ・ボックスへ供給します。最小の部品数、低消費電力、単純な設計、I<sup>2</sup>C 標準インターフェイス搭載の完全なソリューションを提供します。

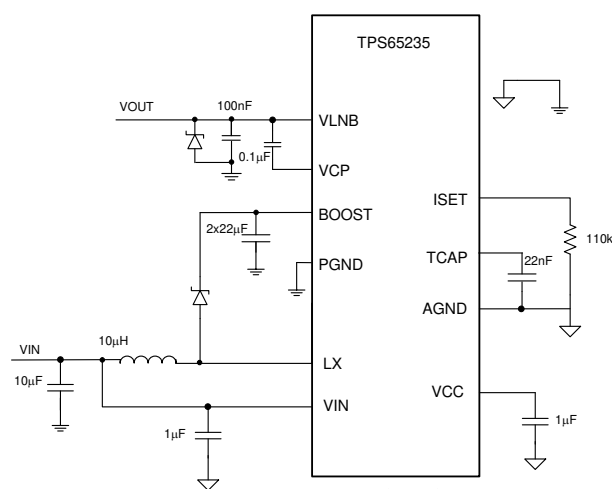
TPS65235 は高い電力効率を実現しています。昇圧コンバータには 140mΩ のパワー MOSFET が内蔵され、スイッチング周波数に 1MHz または 500kHz を選択できます。リニア・レギュレータでのドロップアウト電圧は 0.8V で、電力損失を最小化できます。TPS65235 では、複数の方法で 22kHz 信号を生成できます。内蔵のリニア・レギュレータとプッシュプル出力段は 22kHz のトーン信号を生成し、負荷がゼロのときでも出力に重畳されます。リニア・レギュレータの電流制限は、外付け抵抗により ±10% の精度でプログラム可能です。I<sup>2</sup>C で読み取られる幅広い診断情報をシステム監視に使用可能です。

TPS65235 は、22kHz のトーン検出回路と出力インターフェイスにより、先進の DiSEqC 2.x 規格をサポートしています。

### 製品情報(1)

部品番号	パッケージ	本体サイズ (公称)
TPS65235	WQFN	3.00mm × 3.00mm

- (1) 利用可能なすべてのパッケージについては、このデータシートの末尾にある注文情報を参照してください。



Copyright © 2016, Texas Instruments Incorporated

### 概略回路図



## Table of Contents

1 特長.....	1	7.5 Programming.....	18
2 アプリケーション.....	1	7.6 Register Maps.....	20
3 概要.....	1	<b>8 Application and Implementation.....</b>	<b>23</b>
<b>4 Revision History.....</b>	<b>2</b>	8.1 Application Information.....	23
<b>5 Pin Configuration and Functions.....</b>	<b>3</b>	8.2 Typical Application for DiSEqc1.x Support.....	23
<b>6 Specifications.....</b>	<b>4</b>	<b>9 Power Supply Recommendations.....</b>	<b>29</b>
6.1 Absolute Maximum Ratings.....	4	<b>10 Layout.....</b>	<b>30</b>
6.2 ESD Ratings.....	4	10.1 Layout Guidelines.....	30
6.3 Recommended Operating Conditions.....	4	10.2 Layout Example.....	30
6.4 Thermal Information.....	4	<b>11 Device and Documentation Support.....</b>	<b>31</b>
6.5 Electrical Characteristics.....	5	11.1 Receiving Notification of Documentation Updates..	31
6.6 Timing Requirements.....	6	11.2 サポート・リソース.....	31
6.7 Typical Characteristics.....	7	11.3 Trademarks.....	31
<b>7 Detailed Description.....</b>	<b>8</b>	11.4 Electrostatic Discharge Caution.....	31
7.1 Overview.....	8	11.5 Glossary.....	31
7.2 Functional Block Diagram.....	8	<b>12 Mechanical, Packaging, and Orderable Information.....</b>	<b>31</b>
7.3 Feature Description.....	8		
7.4 Device Functional Modes.....	17		

## 4 Revision History

Changes from Revision C (July 2019) to Revision D (May 2021)	Page
• 文書全体にわたって表、図、相互参照の採番方法を更新.....	1
• Changed $V_{(drop)}$ min and max values.....	5
• Changed $I_{(rev\_dis)}$ min and max values.....	5
Changes from Revision B (July 2018) to Revision C (July 2019)	Page
• Changed $V_{(drop)}$ at TONEAMP = 0b From: MIN = 0.59 TYP = 0.8 MAX = 1 To: MIN = 0.49 TYP = 0.8 MAX = 1.1 in the <i>Electrical Characteristics</i> .....	5
• Changed $V_{(drop)}$ at TONEAMP = 1b From: MIN = 0.71 TYP = 0.9 MAX = 1.12 To: MIN = 0.65 TYP = 0.9 MAX = 1.2 in the <i>Electrical Characteristics</i> .....	5
Changes from Revision A (December 2017) to Revision B (December 2017)	Page
• Changed the GDR TONE_TRANS = 1b value From: MAX = 24.03V To: MAX = 24.33V in the <i>Electrical Characteristics</i> .....	5
Changes from Revision * (January 2017) to Revision A (December 2017)	Page
• Changed the VCP values From: VLNB to 7 V To: -0.3 V to 7 V in the <i>Absolute Maximum Ratings</i> .....	4
• Changed the GDR values From: VLNB to VCP To: -0.3 V to 7 V in the <i>Absolute Maximum Ratings</i> .....	4
• Changed the Operating junction temperature From: 125°C To: 150°C in the <i>Absolute Maximum Ratings</i> .....	4
• Changed $V_{IN}$ MAX value From: 16 V To: 20 V in <i>Recommended Operating Conditions</i> .....	4
• Changed $V_{IN}$ MAX value From: 16 V To: 20 V in <i>Electrical Characteristics</i> .....	5
• Changed 4.7 $\mu$ F To: 4 $\mu$ F in the line callouts of <a href="#">図 7-6</a> .....	13
• Changed 4 $\mu$ F To: 5 $\mu$ F in the graph legends of <a href="#">図 7-7</a> .....	13
• Changed the description of bit 1 TONE_AUTO From: "controlled by TONE_RECEIVE" To: "controlled by TONE_TRANS" in <a href="#">表 7-7</a> .....	21

## 5 Pin Configuration and Functions

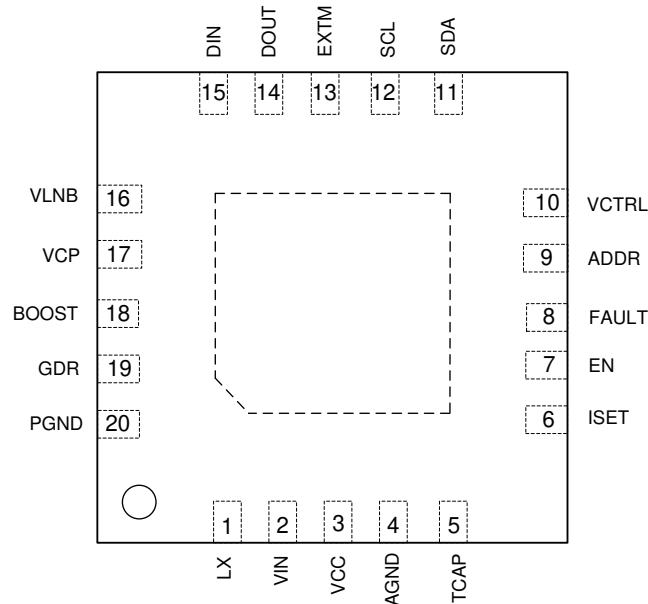


图 5-1. 20 Pin (WQFN-20) RUK Package (Top View)

表 5-1. Pin Functions

PIN		I/O <sup>(1)</sup>	DESCRIPTION
NAME	NO.		
LX	1	I	Switching node of the boost converter
VIN	2	S	Input of internal linear regulator
VCC	3	O	Internal 6.3-V power supply. Connect a 1- $\mu$ F ceramic capacitor from this pin to ground. When $V_{IN}$ is 5 V, connect VCC to VIN.
AGND	4	S	Analog ground. Connect all ground pins and power pad together.
TCAP	5	O	Connect a capacitor to this pin to set the rise time of the LNB output.
ISET	6	O	Connect a resistor to this pin to set the LNB output current limit.
EN	7	I	Enable pin to enable the VLNB output; pull to ground to disable output, and output will be pulled to ground, when the EN is low, the I <sup>2</sup> C can be accessed
FAULT	8	O	Open drain output pin, it goes low if any fault flag is set.
ADDR	9	I	Connecting different resistor to this pin to set different I <sup>2</sup> C address, see 表 7-4.
VCTRL	10	I	Voltage level at this pin to set the output voltage, see 表 7-3.
SDA	11	I/O	I <sup>2</sup> C compatible bi-directional data
SCL	12	I	I <sup>2</sup> C compatible clock input
EXTM	13	I	External modulation logic input pin which activates the 22-kHz tone output, feeding signal can be 22-kHz tone or logic high or low.
DOUT	14	O	Tone detection output
DIN	15	I	Tone detection input
VLNB	16	O	Output of the power supply connected to satellite receiver or switch.
VCP	17	O	Gate drive supply voltage, output of charge pump, connect a capacitor between this pin to pin VLNB.
BOOST	18	O	Output of the boost regulator and Input voltage of the internal linear regulator.
GDR	19	O	Control the gate of the external MOSFET for DiSEqc 2.x support.
PGND	20	S	Power ground for Boost Converter
Thermal PAD			Must be soldered to PCB for optimal thermal performance. Have thermal Vias on the PCB to enhance power dissipation.

(1) I = input, O = output, I/O = input and output, S = power supply

## 6 Specifications

### 6.1 Absolute Maximum Ratings

over operating free-air temperature range (unless otherwise noted)<sup>(1)</sup>

		MIN	MAX	UNIT
Voltage	VIN, LX, BOOST, VLNB	1	30	V
	VCP, GDR (referenced to VLNB pin)	-0.3	7	
	VCC, EN, ADDR, FAULT, SCL, SDA, VCTRL, EXTM, DOUT, DIN, TCAP	-0.3	7	
	ISET	-0.3	3.6	
	PGND	-0.3	0.3	
Operating junction temperature, T <sub>J</sub>		-40	150	°C
Storage temperature, T <sub>stg</sub>		-55	150	

- (1) Stresses beyond those listed under *Absolute Maximum Ratings* may cause permanent damage to the device. These are stress ratings only, which do not imply functional operation of the device at these or any other conditions beyond those indicated under *Recommended Operating Conditions*. Exposure to absolute-maximum-rated conditions for extended periods may affect device reliability.

### 6.2 ESD Ratings

		VALUE	UNIT
V <sub>(ESD)</sub> Electrostatic discharge	Human-body model (HBM), per ANSI/ESDA/JEDEC JS-001, all pins <sup>(1)</sup>	±4000	V
	Charged-device model (CDM), per JEDEC specification JESD22-C101, all pins <sup>(2)</sup>	±1500	

- (1) JEDEC document JEP155 states that 500-V HBM allows safe manufacturing with a standard ESD control process.  
 (2) JEDEC document JEP157 states that 250-V CDM allows safe manufacturing with a standard ESD control process.

### 6.3 Recommended Operating Conditions

over operating free-air temperature range (unless otherwise noted)

		MIN	NOM	MAX	UNIT
V <sub>IN</sub>	Input operating voltage	4.5		20	V
T <sub>A</sub>	Operating junction temperature	-40		125	°C

### 6.4 Thermal Information

THERMAL METRIC <sup>(1)</sup>		TPS65235	UNIT
		RUK (WQFN)	
		20 PINS	
R <sub>θJA</sub>	Junction-to-ambient thermal resistance	44.8	°C/W
R <sub>θJC(top)</sub>	Junction-to-case (top) thermal resistance	47.3	°C/W
R <sub>θJB</sub>	Junction-to-board thermal resistance	16.5	°C/W
ψ <sub>JT</sub>	Junction-to-top characterization parameter	0.5	°C/W
ψ <sub>JB</sub>	Junction-to-board characterization parameter	16.4	°C/W
R <sub>θJC(bot)</sub>	Junction-to-case (bottom) thermal resistance	3.6	°C/W

- (1) For more information about traditional and new thermal metrics, see the [Semiconductor and IC Package Thermal Metrics](#) application report.

## 6.5 Electrical Characteristics

$T_J = -40^{\circ}\text{C}$  to  $125^{\circ}\text{C}$ ,  $V_{IN} = 12\text{ V}$ ,  $f_{SW} = 1\text{ MHz}$  (unless otherwise noted)

PARAMETER		TEST CONDITIONS	MIN	TYP	MAX	UNIT
<b>INPUT SUPPLY</b>						
$V_{IN}$	Input voltage range	$V_{IN}$	4.5	12	20	V
$I_{DD(SDN)}$	Shutdown supply current	EN = 0	90	120	150	$\mu\text{A}$
$I_{LDO(Q)}$	LDO quiescent current	EN = 1, $I_O = 0\text{ A}$ , VLNB = 18.2 V	2.2	5	7.8	mA
UVLO	$V_{IN}$ Undervoltage Lockout	$V_{IN}$ Rising	4.15	4.3	4.45	V
		Hysteresis	280	480	550	mV
<b>OUTPUT VOLTAGE</b>						
$V_{OUT}$	Regulated output voltage	$V_{(ctrl)} = 1$ , $I_O = 500\text{ mA}$	18	18.2	18.4	V
		$V_{(ctrl)} = 0$ , $I_O = 500\text{ mA}$	13.25	13.4	13.55	V
		SCL = 1, $V_{(ctrl)} = 1$ , $I_O = 500\text{ mA}$ (Non I <sup>2</sup> C)	19.18	19.4	19.62	V
		SCL = 1, $V_{(ctrl)} = 0$ , $I_O = 500\text{ mA}$ (Non I <sup>2</sup> C)	14.44	14.6	14.76	V
$I_{(OCP)}$	Output short circuit current limit	$R_{(SET)} = 200\text{ k}\Omega$ , Full temperature	580	650	720	mA
		$T_J = 25^{\circ}\text{C}$	629	650	688	mA
Fsw	Boost switching frequency	1 MHz	977	1060	1134	kHz
$I_{(limitsw)}$	Switching current limit	$V_{IN} = 12\text{ V}$ , $V_{OUT} = 18.2\text{ V}$ , $R_{(SET)} = 200\text{ k}\Omega$	2.4	3	3.6	A
$R_{ds(on)_LS}$	On resistance of low side FET	$V_{IN} = 12\text{ V}$	90	140	210	m $\Omega$
$V_{(drop)}$	Linear regulator voltage drop-out	$I_O = 500\text{ mA}$ , TONEAMP = 0	0.44	0.8	1.15	V
		$I_O = 500\text{ mA}$ , TONEAMP = 1	0.55	0.9	1.2	V
$I_{(cable)}$	Cable good detection current threshold	$V_{IN} = 12\text{ V}$ , $V_{OUT} = 13.4\text{ V}$ or $18.2\text{ V}$	0.9	5	8.8	mA
$I_{(rev)}$	Reverse bias current	EN = 1, VLNB = 21 V	49	58	65	mA
$I_{(rev\_dis)}$	Disabled reverse bias current	EN = 0, VLNB = 21 V	2.9	4.6	6.3	mA
<b>LOGIC SIGNALS</b>						
$V_{(EN)}$	Enable threshold High		1.6			V
	Enable threshold Low				0.8	V
$I_{(EN)}$	Enable internal pull up current	$V_{(EN)} = 1.5\text{ V}$	5	6	7	$\mu\text{A}$
		$V_{(EN)} = 1\text{ V}$	2	3	4	$\mu\text{A}$
$V_{(VCTRL\_H)}$ $V_{(EXTM\_H)}$	VCTRL, EXTM Logic threshold level	High level input voltage	2			V
$V_{(VCTRL\_L)}$ $V_{(EXTM\_L)}$		Low level input voltage			0.8	V
$V_{OL(FAULT)}$	FAULT output low voltage	FAULT open drain, $I_{OL} = 1\text{ mA}$			0.4	V
<b>tone</b>						
$f_{(tone)}$	Tone frequency	22 kHz tone output	20	22	24	kHz
$A_{(tone)}$	Tone amplitude	$I_O = 0\text{ mA}$ to $500\text{ mA}$ , $C_O = 100\text{ nF}$ , TONEAMP = 0	617	650	696	mV
		$I_O = 0\text{ mA}$ to $500\text{ mA}$ , $C_O = 100\text{ nF}$ , TONEAMP = 1	703	750	803	mV
$D_{(tone)}$	Tone duty cycle		45%	50%	55%	
$f_{(EXTM)}$	External tone input frequency range	22 kHz tone output	17.6	22	26.4	kHz
		44 kHz tone output	35.2	44	52.8	kHz
<b>tone DETECTION</b>						
$f_{(DIN)}$	Tone detector frequency capture range	0.4 V <sub>pp</sub> sine wave	17.6	22	26.4	kHz
$V_{(DIN)}$	Tone detector input amplitude	Sine wave, 22 kHz	0.3		1.5	V
$V_{(DOUT)}$	DOUT output voltage	Tone present, $I_{load} = 2\text{ mA}$			0.4	V
GDR	Bypass FET gate voltage/LNB	TONE_TRANS = 1, $V_{(LNB)} = 18.2\text{ V}$	23.11	23.5	24.33	V
		TONE_TRANS = 0, $V_{(LNB)} = 18.2\text{ V}$	18.17	18.2	18.23	V
<b>THERMAL SHUT-DOWN (JUNCTION TEMPERATURE)</b>						
$T_{(TRIP)}$	Thermal protection trip Point	Temperature Rising		160		$^{\circ}\text{C}$
$T_{(HYST)}$	Thermal protection hysteresis			20		$^{\circ}\text{C}$

$T_J = -40^{\circ}\text{C}$  to  $125^{\circ}\text{C}$ ,  $V_{IN} = 12\text{ V}$ ,  $f_{SW} = 1\text{ MHz}$  (unless otherwise noted)

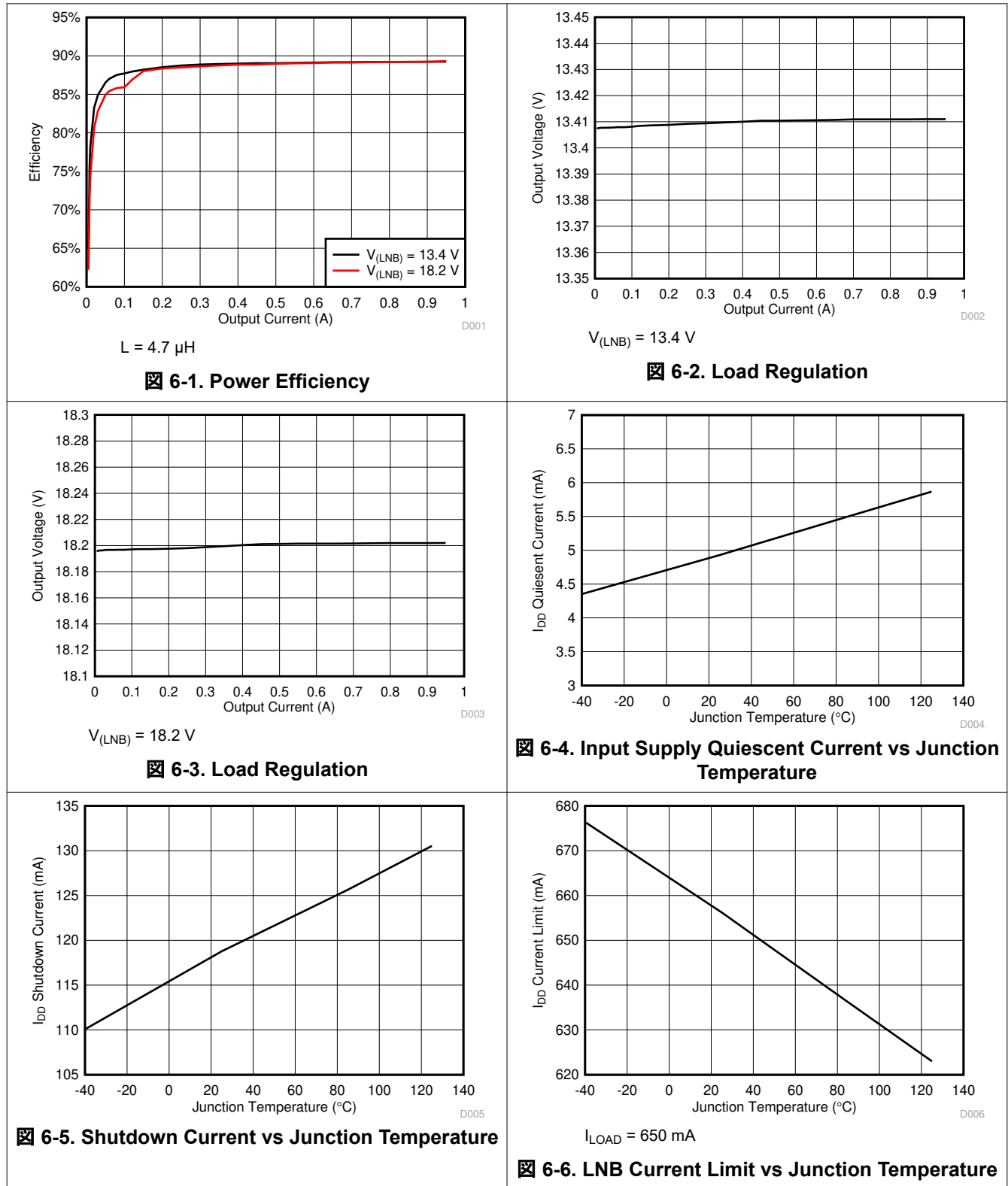
PARAMETER		TEST CONDITIONS	MIN	TYP	MAX	UNIT
<b>I<sup>2</sup>C READ BACK FAULT STATUS</b>						
V <sub>(PGOOD)</sub>	PGOOD trip levels	Feedback voltage UVP low	94%	96%	97.1%	
		Feedback voltage UVP high	93%	94.5%	95.5%	
		Feedback voltage OVP high	104%	106.6%	108%	
		Feedback voltage OVP low	102%	104.6%	106%	
T <sub>(warn)</sub>	Temperature warning Threshold		125			°C
<b>I<sup>2</sup>C INTERFACE</b>						
V <sub>IH</sub>	SDA,SCL input high voltage		2			V
V <sub>IL</sub>	SDA,SCL input low voltage				0.8	V
I <sub>I</sub>	Input current	SDA, SCL, V <sub>I</sub> = 0.4 to 4.5 V	-10		10	μA
V <sub>OL</sub>	SDA output low voltage	SDA open drain, I <sub>OL</sub> = 2 mA			0.4	V
f <sub>(SCL)</sub>	Maximum SCL clock frequency		400			kHz

## 6.6 Timing Requirements

			MIN	NOM	MAX	UNIT
<b>OUTPUT VOLTAGE</b>						
t <sub>r</sub> , t <sub>f</sub>	13 V to 18 V transition rising falling time	C <sub>(TCAP)</sub> = 22 nF		2		ms
t <sub>ON(min)</sub>	Minimum on time for the Low side FET		75	102	130	ns
<b>-tone</b>						
t <sub>r(tone)</sub>	Tone rise time	I <sub>O</sub> = 0 mA to 500 mA, C <sub>O</sub> = 100 nF, Control Reg1[0] = 0		11		μs
		I <sub>O</sub> = 0 mA to 500 mA, C <sub>O</sub> = 100 nF, Control Reg1[0] = 1, and EXTM has 44 kHz input		5.5		μs
t <sub>f(tone)</sub>	Tone fall time	I <sub>O</sub> = 0 mA to 500 mA, C <sub>O</sub> = 100 nF, Control Reg1[0] = 0		10.8		μs
		I <sub>O</sub> = 0 mA to 500 mA, C <sub>O</sub> = 100 nF, Control Reg1[0] = 1, and EXTM has 44 kHz input		5.4		μs
<b>PROTECTION</b>						
t <sub>ON</sub>	Overcurrent protection ON Time	TIMER=0	2.3	3.75	5.52	ms
t <sub>OFF</sub>	Overcurrent protection OFF Time	TIMER=0	98.5	118	133.5	ms
<b>I<sup>2</sup>C INTERFACE</b>						
t <sub>BUF</sub>	Bus free time between a STOP and START condition		1.3			μs
t <sub>HD_STA</sub>	Hold time (repeated) START condition		0.6			μs
t <sub>SU_STO</sub>	Setup time for STOP condition		0.6			μs
t <sub>LOW</sub>	LOW period of the SCL clock		1.3			μs
t <sub>HIGH</sub>	HIGH period of the SCL clock		0.6			μs
t <sub>SU_STA</sub>	Setup time for a repeated START condition		0.6			μs
t <sub>SU_DAT</sub>	Data setup time		0.1			μs
t <sub>HD_DAT</sub>	Data hold time		0		0.9	μs
t <sub>RCL</sub>	Rise time of SCL signal	Capacitance of one bus line (pF)	20 + 0.1 C <sub>B</sub>		300	ns
t <sub>RCL1</sub>	Rise time of SCL Signal after a Repeated START condition and after an acknowledge BIT	Capacitance of one bus line (pF)	20 + 0.1 C <sub>B</sub>		300	ns
t <sub>FCL</sub>	Fall time of SCL signal	Capacitance of one bus line (pF)	20 + 0.1 C <sub>B</sub>		300	ns
t <sub>RDA</sub>	Rise time of SDA signal	Capacitance of one bus line (pF)	20 + 0.1 C <sub>B</sub>		300	ns
t <sub>FDA</sub>	Fall time of SDA signal	Capacitance of one bus line (pF)	20 + 0.1 C <sub>B</sub>		300	ns
C <sub>B</sub>	Capacitance of one bus line(SCL and SDA)				400	pF

## 6.7 Typical Characteristics

$T_A = 25^\circ\text{C}$ ,  $V_{IN} = 12\text{ V}$ ,  $f_{SW} = 1\text{ MHz}$ ,  $C_{Boost} = 2 \times 22\ \mu\text{F}/35\text{ V}$  (unless otherwise noted)



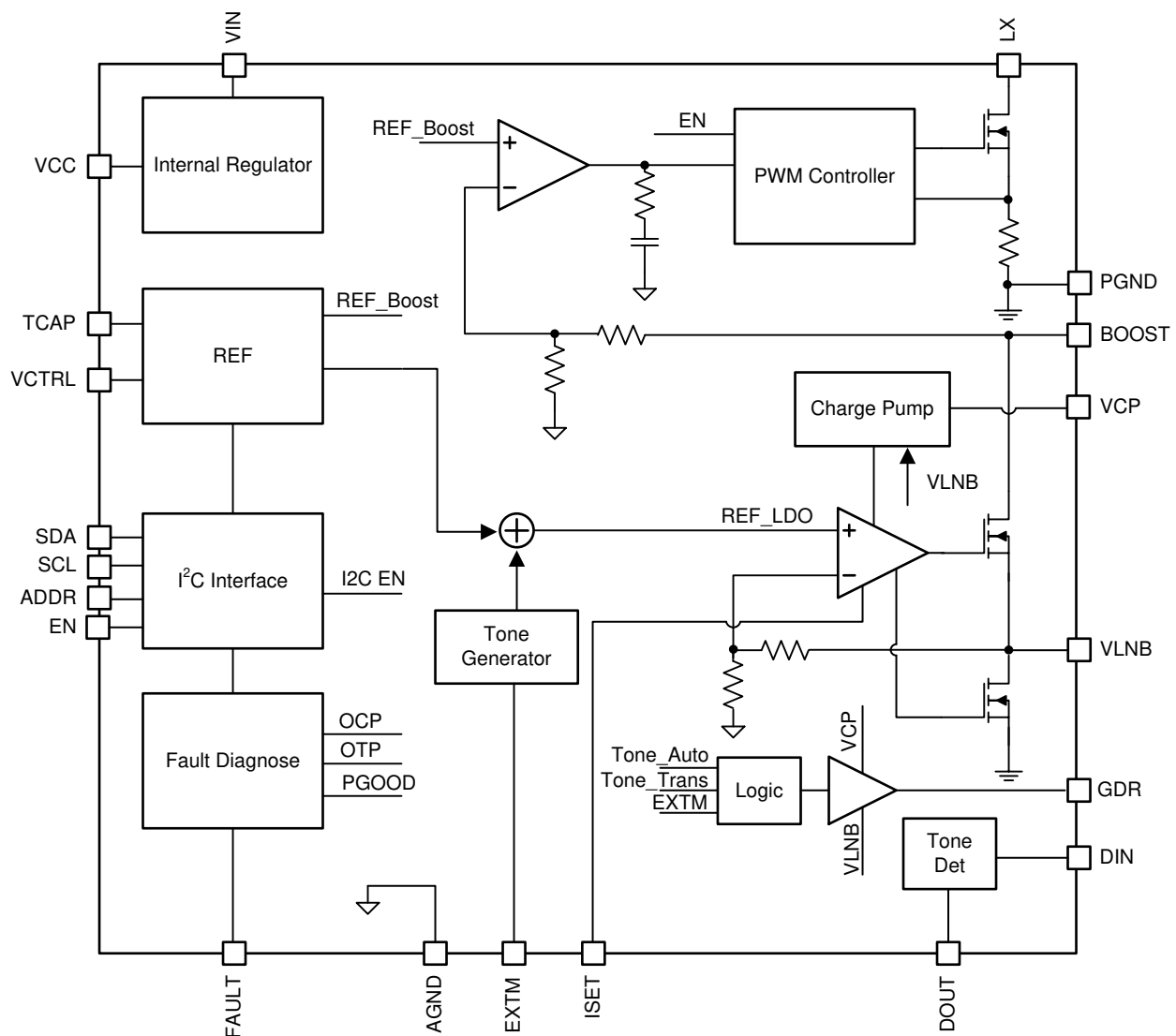
## 7 Detailed Description

### 7.1 Overview

TPS65235 is the Power management IC that integrates a boost converter, a LDO and a 22 kHz tone generator to serve as a LNB power supply. This solution compiles the DiSEqC 2.x standard with or without I<sup>2</sup>C interface. Output current limitation can be precisely programmed by an external resistor. There are two ways to generate the 22 kHz tone signal, with or without I<sup>2</sup>C. Integrated boost features low R<sub>ds(on)</sub> MOSFET and internal compensation. 1 MHz or 500 kHz selectable switching frequency is designed to save passive components size and be flexible for design.

TPS65235 can support the 44-kHz tone output, when the EXTM has 44-kHz tone input, and the bit EXTM TONE of [Control Register 1](#) is set to “1”, the LNB tone output is 44 kHz. By default, the TPS65235 has a typical 22-kHz tone output.

### 7.2 Functional Block Diagram



Copyright © 2016, Texas Instruments Incorporated

### 7.3 Feature Description

#### 7.3.1 Boost Converter

The TPS65235 consists of an internal compensated boost converter and linear regulator. The boost converter tracks the LNB output voltage within 800 mV even at loading 1000 mA, which minimizes power loss. When the




input voltage  $V_{IN}$  is greater than the expected output voltage  $V_{LNB}$ , the linear regulator drops the voltage difference between  $V_{IN}$  and  $V_{LNB}$ , which causes the lower efficiency and the higher power loss on the internal linear regulator if the current loading is high. For this application, care must be taken to ensure that the safe operating temperature range of the TPS65235 is not exceeded. Recommend to work at force PWM mode when  $V_{IN} > V_{OUT}$  to reduce output ripple.

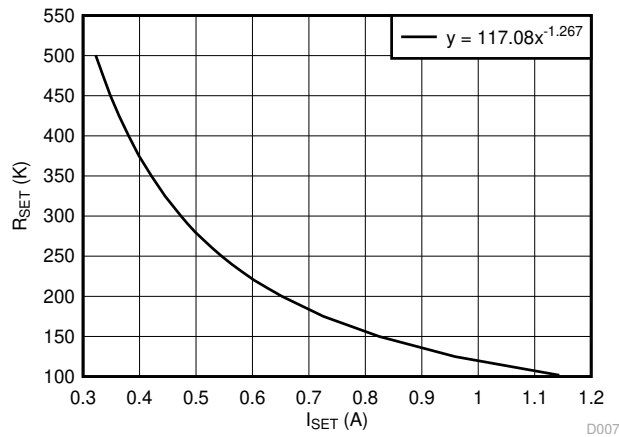
As default, the boost converter operates at 1 MHz. TPS65235 has internal cycle-by-cycle peak current limit in the boost converter and DC current limit in the LNB output to protect the IC against short circuits and over loading. When the LNB output is shorted to ground, the LNB output current is clamped at the LDO current limit. The LDO current limit is set by the external resistor at ISET pin; meanwhile the Boost switch current limit is proportional with LDO current limit. If overcurrent condition lasts for more than 4 ms, the Boost converter enters hiccup mode and will re-try startup in 128 ms. This hiccup mode ON/OFF time can be selectable by I<sup>2</sup>C control register 0x01, either 4 ms / 128 ms or 8 ms / 256 ms. At extremely light loads, the boost converter operates in a pulse-skipping mode automatically.

Boost converter is stable with either ceramic capacitor or electrolytic capacitor.

If two or more set top box LNB outputs are connected together, one output voltage could be set higher than others. The output with lower set voltage would be effectively turned off. Once the voltage drops to the set level, the LNB output with lower set output voltage returns to normal conditions.

### 7.3.2 Linear Regulator and Current Limit

The linear regulator is used to generate the 22-kHz tone signal by changing the LDO reference voltage. The linear regulator features low drop out voltage to minimize power loss while keeps enough head room for the 22-kHz tone with 650-mV amplitude. It also implements a tight current limit for overcurrent protection. The current limit is set by an external resistor connected to ISET pin.  7-1 shows the relationship between the current limit threshold and the resistor value.



 7-1. Linear Regulator Current Limit Vs Resistor

$$R_{SET}(k\Omega) = 117.08 \times I_{SET}^{-1.267}(A) \quad (1)$$

A 200-k $\Omega$  resistor sets the current to be 0.65 A, and 110-k $\Omega$  resistor sets the current to approximately 1 A.

### 7.3.3 Boost Converter Current Limit

The boost converter has the cycle-by-cycle peak current limit on the internal Power MOSFET switch to serve as the secondary protection when LNB output is hard short. With ISW bit default setting “0” on I<sup>2</sup>C control register 0x01, the switch current limit I<sub>SW</sub> is proportional as LDO current limit I<sub>(OCP)</sub> set by ISET pin resistor, and the relationship can be expressed as:

$$I_{SW} = 3 \times I_{(OCP)} + 0.8A \quad (2)$$

For the 5 V V<sub>IN</sub>, if LNB current load is up to 1 A, the ISW bit should be written as “1”, the switch current limit I<sub>SW</sub> for the internal Power MOSFET is:

$$I_{SW} = 5 \times I_{(OCP)} + 0.8A \quad (3)$$

While due to the high power loss at 5 V, V<sub>IN</sub>, it has a chance to trigger the thermal shutdown before the loading is up to 1 A, especially the VLNB output is high.

### 7.3.4 Charge Pump

The charge pump circuitry generates a voltage to drive the NMOS of the linear regulator. The voltage across the charge pump capacitor between VLNB and VCP is about 5.4 V, so the absolute value of the VCP voltage will be VLNB + 5.4 V.

### 7.3.5 Slew Rate Control

When LNB output voltage transits from 13.4 V to 18.2 V or 18.2 V to 13.4 V, the cap at pin TCAP controls the transition time. This transition time makes sure the boost converter output to follow LNB output change. Usually boost converter has low bandwidth and can't response fast. The voltage at TCAP acts as the reference voltage of the linear regulator. The boost converter's reference is also based on TCAP with additional fixed voltage to generate a 0.8 V above the LNB output.

The charging and discharging current is 10 μA, thus the transition time can be estimated as:

$$t_{TCAP}(ms) = 0.8 \times \frac{C_{SS}(nF)}{I_{SS}(\mu A)} \quad (4)$$

A 22-nF capacitor generates about 2 ms transition time.

In light load conditions, when LNB output voltage is set from 18.2 V to 13.4 V, the voltage drops very slow, which causes wrong VOUT\_GOOD (Bit 0 at status register 0x02) logic for LNB output voltage detection. TPS65235 has integrated a pull down circuit to pull down the output during the transition. This ensures the voltage change can follow the voltage at TCAP. When the 22-kHz tone signal is superimposing on the LNB output voltage, the pull down current can also provide square wave instead of a distorted waveforms.

### 7.3.6 Short Circuit Protection, Hiccup and Overtemperature Protection

The LNB output current limit can be set by an external resistor. When short circuit conditions occur or current limit is triggered, the output current is clamped at the current limit for 4 ms with LDO on. If the condition retains, the converter will shut down for 128 ms and then restart. This hiccup behavior prevents IC from being overheat. The hiccup ON/OFF time can be set by I<sup>2</sup>C register. Refer to [Control Register 1](#) for detail.

The low side MOSFET of the boost converter has a peak current limit threshold which serves as the secondary protection. If boost converter's peak current limit is triggered, the peak current will be clamped as high as 3.8 A when setting I<sub>SW</sub> default and LNB current limit up to 1 A. If loading current continues to increase, output voltage starts to drop and output power drops.

Thermal shutdown prevents the chip from operating at exceedingly high temperatures. When the junction temperature exceeds 160°C, the output shuts down. When the die temperature drops below its lower threshold typically 140°C, the output is enabled.

When the chip is in overcurrent protection or thermal shutdown, the I<sup>2</sup>C interface and logic are still active. The Fault pin is pulled down to signal the processor. The Fault pin signal remains low unless the following action is taken:

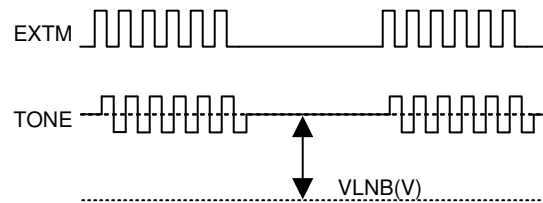
1. If I<sup>2</sup>C interface is not used to control, EN pin must be recycled in order to pull Fault pin back to high.
2. If I<sup>2</sup>C interface is used, the I<sup>2</sup>C master need to read the status [Control Register 2](#), then the Fault pin will be back to high.

### 7.3.7 Tone Generation

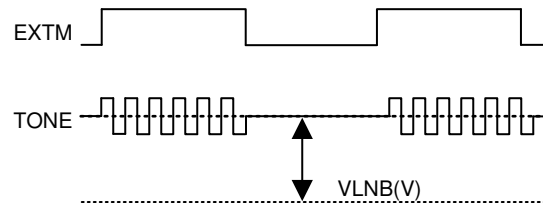
22 kHz tone signal is implemented at the LNB output voltage as a carrier for DiSEqC command. This tone signal can be generated by feeding an external 22-kHz clock at the EXTM pin, and it can also be generated with its internal tone generator controlled by EXTM pin. If EXTM pin is toggled to high, the internal tone signal will be superimposed at the LNB output, if EXTM pin is low, there will be no tone superimposed at the output stage of the regulator facilitates a push-pull circuit, so even at zero loading; the 22-kHz tone at the output is still clean without distortion.

There are two ways to generate the 22 kHz tone signal at the output.

For option1, if the EXTM has 44-kHz tone input, and the bit EXTM TONE of the [Control Register 1](#) is set to "1", the LNB tone output is 44 kHz.



Option 1. Use external tone, gated by EXTM logic pulse



Option 2. Use internal tone, gated by EXTM logic envelop

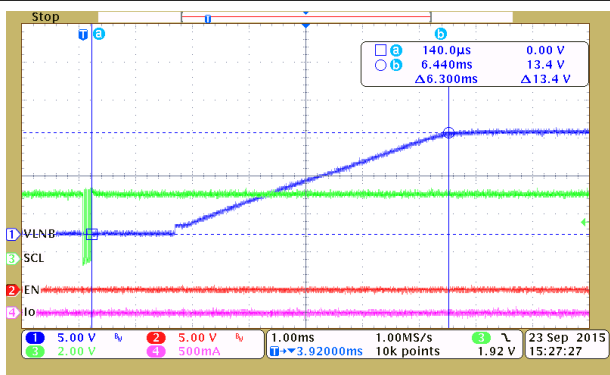
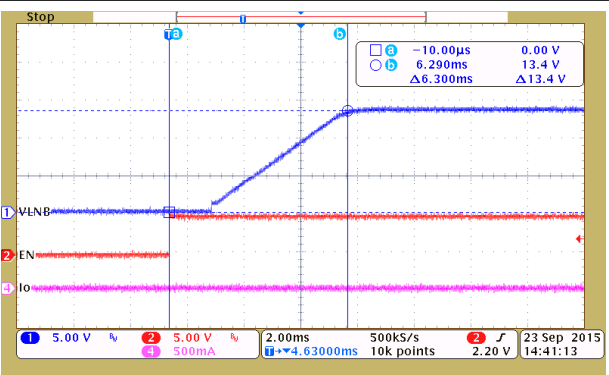
### 7-2. Two Ways to Generate 22 kHz Tone

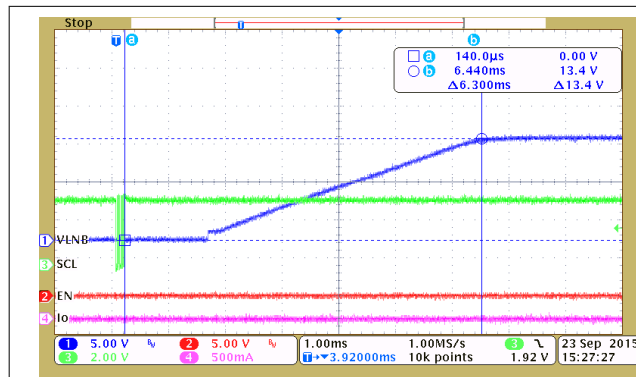
### 7.3.8 Tone Detection

A 22-kHz tone detector is implemented in the TPS65235 solution. The detector extracts the AC coupled tone signal from the DIN input and provides it as an open-drain signal on the DOUT pin. With bit DOUTMODE default setting of the [Control Register 2](#), if tone is present, the DOUT output is logic low; if tone is not present, the internal output FET is off. If a pull high resistor is connected to the DOUT pin, the output is logic high. The maximum tone out delay with respect to the input is one and half tone cycle.

Bit DOUTMODE of [Control Register 2](#) is reserved and should not be used.

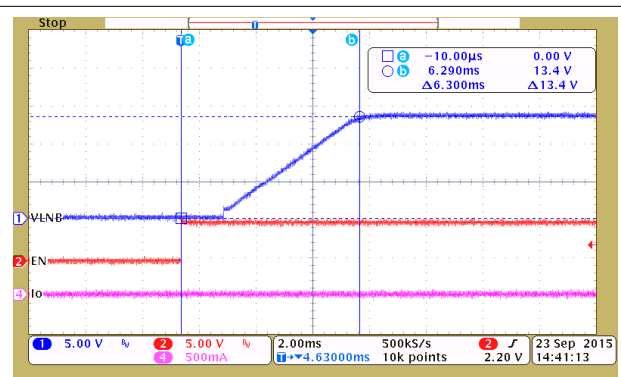
### 7.3.9 Disable and Enable

TPS65235 has a dedicated EN pin to disable and enable the LNB output. At non-I<sup>2</sup>C application, when the EN pin is pulled to high, the LNB output is enabled, when the EN pin is pull to low, the LNB output is disabled. At I<sup>2</sup>C application, either EN pin is low or high, the I<sup>2</sup>C registers can be accessed, which allows customer to change the default LNB output when system power up. When the bit I2C\_CON of *Control Register 1* is set to “1”, the LNB output enable or disable is controlled by bit EN of *Control Register 2*. By default, the bit I2C\_CON of the control register is set to “0”, which makes the LNB output is controlled by the EN pin.  and  shows the detail control behavior.



EN pin = 0 V Bit I2C\_CON = 1

 **7-3. VLNB Output Controlled by bit EN of Control Register 2**



Bit I2C\_CON = 0

 **7-4. VLNB Output Controlled by EN Pin**

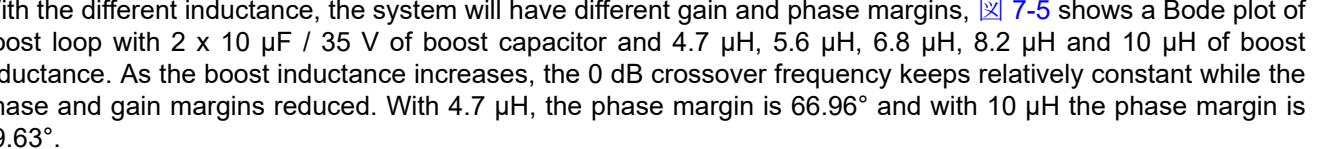
### 7.3.10 Component Selection

#### 7.3.10.1 Boost Inductor

TPS65235 is recommended to operate with a boost inductor value of 4.7 µH or 10 µH. The boost inductor must be able to support the peak current requirement to maintain the maximum LNB output current without saturation. Below formula can be used to estimate the peak current of the boost inductor.

$$I_{\text{peak}} = \frac{I_{\text{OUT}}}{1-D} + \frac{1}{2} \times \frac{V_{\text{IN}} \times D}{L \times f_{\text{S}}} \quad (5)$$

$$D = 1 - \frac{V_{\text{IN}}}{V_{\text{LNB}} + 0.8} \quad (6)$$

With the different inductance, the system will have different gain and phase margins,  shows a Bode plot of boost loop with 2 x 10 µF / 35 V of boost capacitor and 4.7 µH, 5.6 µH, 6.8 µH, 8.2 µH and 10 µH of boost inductance. As the boost inductance increases, the 0 dB crossover frequency keeps relatively constant while the phase and gain margins reduced. With 4.7 µH, the phase margin is 66.96° and with 10 µH the phase margin is 39.63°.

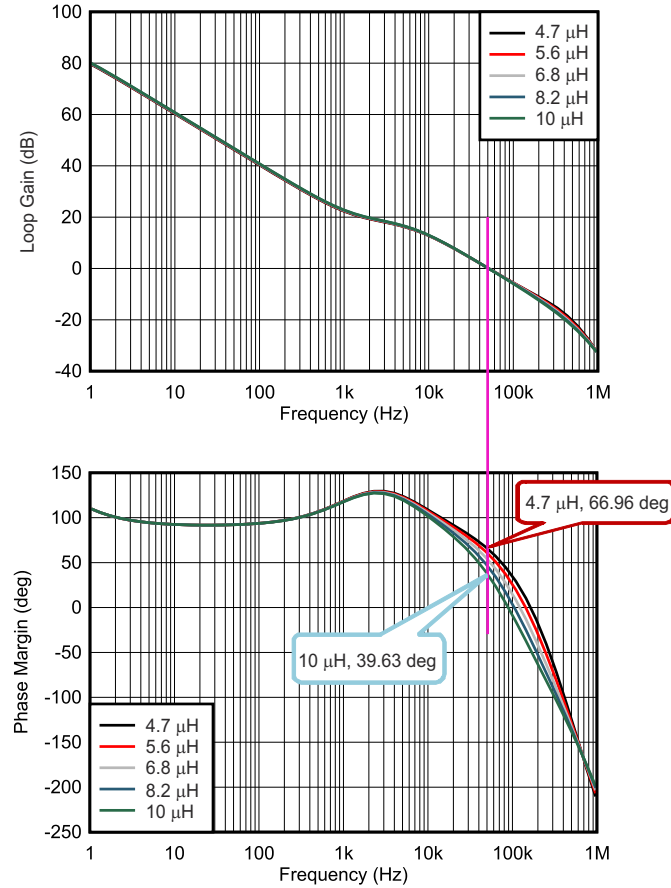


图 7-5. Gain and Phase Margin of the Boost Loop with Different Inductance ( $V_{IN} = 12\text{ V}$ ,  $V_{OUT} = 18.2\text{ V}$ ,  $I_{LOAD} = 1\text{ A}$ ,  $F_{SW} = 1\text{ MHz}$ ,  $5\text{ }\mu\text{F}$ , Typical Bode Plot)

### 7.3.10.2 Capacitor Selection

TPS65235 has a 1 MHz non-synchronous boost converter integrated and the boost converter features the internal compensation network. TPS65235 works well with both ceramic capacitor and electrolytic capacitor.

In TPS65235 application, the recommended ceramic capacitors rated are at least X7R/X5R, 35 V rating and 1206 size for the achieving lower LNB output ripple. 表 7-1 shows the recommended ceramic capacitors list for both 4.7uH and 10uH boost inductors.

If lower cost is demanded, a 100- $\mu\text{F}$  electrolytic (Low ESR) and a 10- $\mu\text{F}$ /35-V ceramic capacitor also work well, this solution provides lower system cost.

表 7-1. Boost Inductor and Capacitor Selections

Boost Inductor	Capacitors	Tolerance (%)	Rating (V)	Size
10 $\mu\text{H}$	2 x 22 $\mu\text{F}$	$\pm 10$	35	1206
	2 x 10 $\mu\text{F}$	$\pm 10$	35	1206
4.7 $\mu\text{H}$	2 x 22 $\mu\text{F}$	$\pm 10$	35	1206
	2 x 10 $\mu\text{F}$	$\pm 10$	35	1206
	22 $\mu\text{F}$	$\pm 10$	35	1206

Figure 7-6 and Figure 7-7 show a Bode plot of boost loop with 4.7  $\mu\text{H}$  / 10  $\mu\text{H}$  inductance and 4  $\mu\text{F}$ , 5  $\mu\text{F}$ , 7.5  $\mu\text{F}$ , 10  $\mu\text{F}$ , 15  $\mu\text{F}$  and 20  $\mu\text{F}$  of boost capacitance after degrading. As the boost capacitance increases, the phase margin decreases.

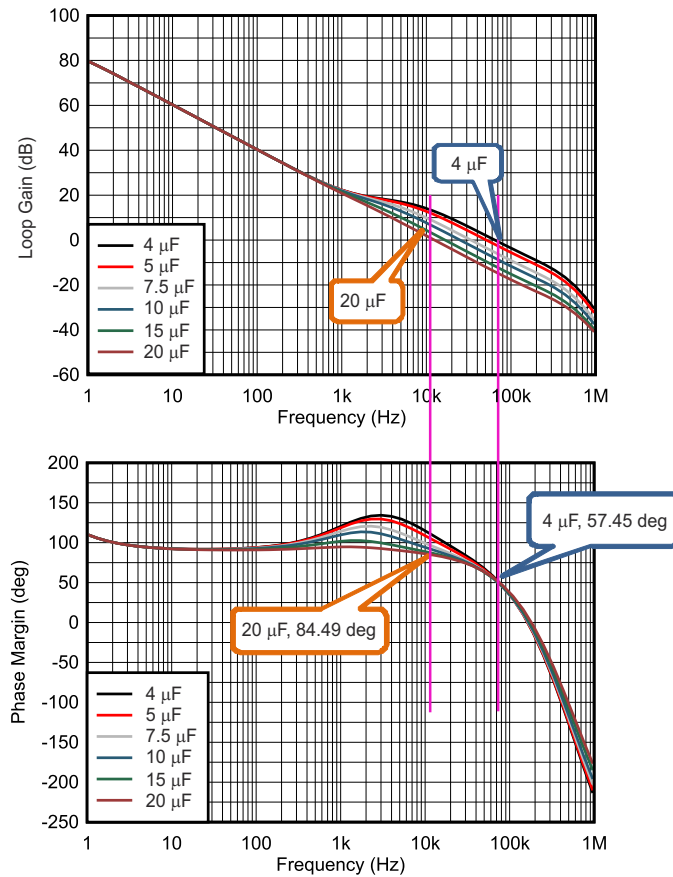
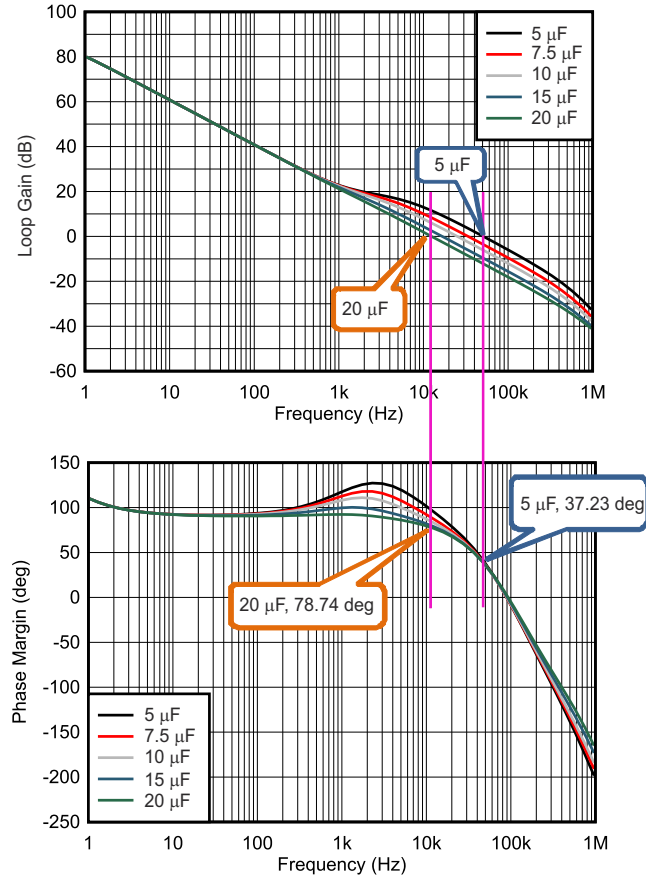


Figure 7-6. Gain and Phase Margin of the Boost Loop With Different Boost Capacitance ( $V_{\text{IN}} = 12 \text{ V}$ ,  $V_{\text{OUT}} = 18.2 \text{ V}$ ,  $I_{\text{LOAD}} = 1 \text{ A}$ ,  $F_{\text{SW}} = 1 \text{ MHz}$ , 4.7  $\mu\text{H}$ , Typical Bode Plot)



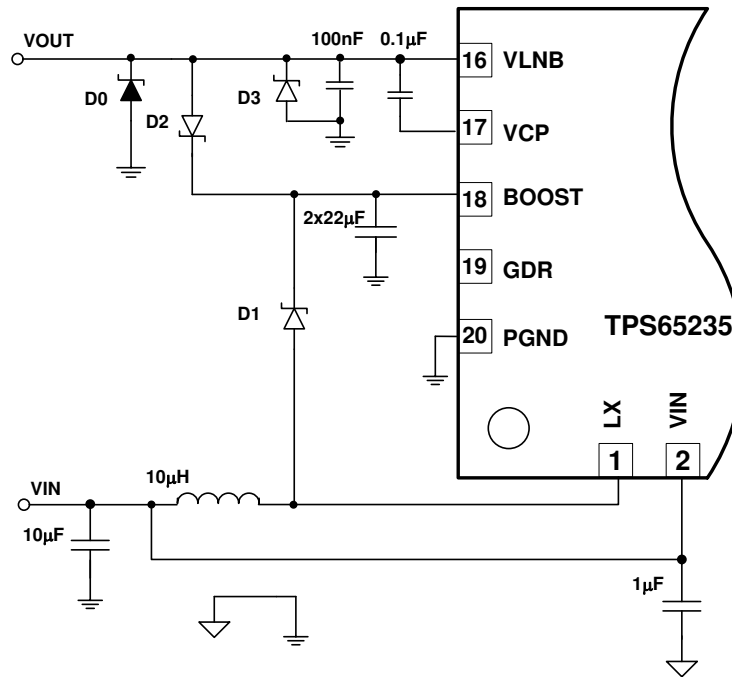
**7-7. Gain and Phase Margin of the Boost Loop With Different Boost Capacitance ( $V_{IN} = 12\text{ V}$ ,  $V_{OUT} = 18.2\text{ V}$ ,  $I_{LOAD} = 1\text{ A}$ ,  $F_{SW} = 1\text{ MHz}$ ,  $10\text{ }\mu\text{H}$ , Typical Bode Plot)**

### 7.3.10.3 Surge Components

If surge test is needed for the application, D0 and D2 should be added as the external protection components. If no surge test needed. The D0 and D2 can be removed.

**表 7-2. Surge Components**

Designator	Description	Part Number	Manufacturer
D0	Diode, TVS, Uni, 28 V, 1500 W, SMC	SMCJ28A	Fairchild Semiconductor
D2	Diode, Schottky, 40 V, 2 A, SMA	B240A-13-F	Diodes Inc.



Copyright © 2016, Texas Instruments Incorporated

**图 7-8. Surge Components Selection**

### 7.3.10.4 Consideration for Boost Filtering and LNB Noise

Smaller capacitance on boost will lead the cost down for the system, while when the inductor in system is same, the smaller capacitance on the boost and the larger ripple on the LNB output.



## 7.4 Device Functional Modes

表 7-3. Logic table

EN	I2C_CON <sup>(1) (2) (3)</sup>	SCL	VCTRL	VLNB <sup>(4)</sup>
H	0	H	H	19.4 V
H	0	H	L	14.6 V
H	0	L	H	18.2 V
H	0	L	L	13.4 V
X	1	X	X	Controlled by VSET[3:0] bits at 0x01 register <sup>(5)</sup>
L	0	X	X	0 V

- (1) I2C\_CON is the bit7 of the I<sup>2</sup>C control register 0x01, which is used to set the VLNB output controlled by the I<sup>2</sup>C register or not.
- (2) When I<sup>2</sup>C interface is used in design, all the I<sup>2</sup>C registers are accessible even if the I2C\_CON bit is "0".
- (3) When I2C\_CON is "1", the VLNB output is controlled by the I<sup>2</sup>C control register even if the EN pin is low.
- (4) When I<sup>2</sup>C interface is used in design, it is recommended to set the I2C\_CON with "1", if not, the LNB output will be variable because the SCL is toggled by the I<sup>2</sup>C register access as the clock signal.
- (5) Bit EN of the control register2 is used to disable or enable the LNB output, by default , the bit EN is "1" which enable the LNB output

## 7.5 Programming

### 7.5.1 Serial Interface Description

I<sup>2</sup>C is a 2-wire serial interface developed by Philips Semiconductor (see I<sup>2</sup>C-Bus Specification, Version 2.1, January 2000). The bus consists of a data line (SDA) and a clock line (SCL) with pull-up structures. When the bus is idle, both SDA and SCL lines are pulled high external. All the I<sup>2</sup>C compatible devices connect to the I<sup>2</sup>C bus through open drain I/O pins, SDA and SCL. A master device, usually a microcontroller or a digital signal processor, controls the bus. The master is responsible for generating the SCL signal and device addresses. The master also generates specific conditions that indicate the START and STOP of data transfer. A slave device receives and/or transmits data on the bus under control of the master device.

The TPS65235 device works as a slave and supports the following data transfer modes, as defined in the I<sup>2</sup>C Bus Specification: standard mode (100 kbps), and fast mode (400 kbps). The interface adds flexibility to the power supply solution, enabling most functions to be programmed to new values depending on the instantaneous application requirements. Register contents remain intact as long as supply voltage remains above 4.5 V (typical).

The data transfer protocol for standard and fast modes is exactly the same; therefore, they are referred to as F/S-mode in this document. The TPS65235 device supports 7-bit addressing; 10-bit addressing and general call address are not supported.

The TPS65235 device has a 7-bit address set by ADDR pin. 表 7-4 shows how to set the I<sup>2</sup>C address.

表 7-4. I<sup>2</sup>C Address Selection

ADDR PIN	I <sup>2</sup> C ADDRESS	Address Format (A6 ≥ A0)
Connect to VCC	0x08H	000 1000
Floating	0x09H	000 1001
Connected to GND	0x10H	001 0000
Resistor divider to make ADDR pin voltage in 3 V ~ V <sub>CC</sub> - 0.8 V	0x11H	001 0001

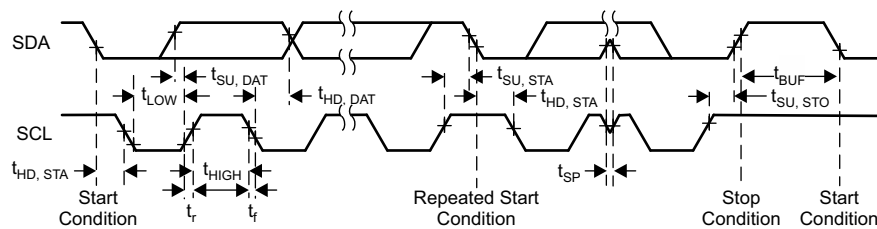


图 7-9. I<sup>2</sup>C Interface Timing Diagram

### 7.5.2 TPS65235 I<sup>2</sup>C Update Sequence

The TPS65235 requires a start condition, a valid I<sup>2</sup>C address, a register address byte, and a data byte for a single update. After the receipt of each byte, TPS65235 device acknowledges by pulling the SDA line low during the high period of a single clock pulse. TPS65235 performs an update on the falling edge of the LSB byte.

When the TPS65235 is disabled (EN pin tied to ground) the device cannot be updated via the I<sup>2</sup>C interface.

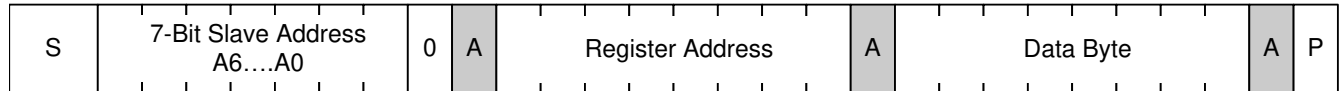
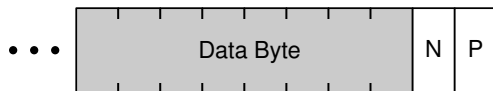
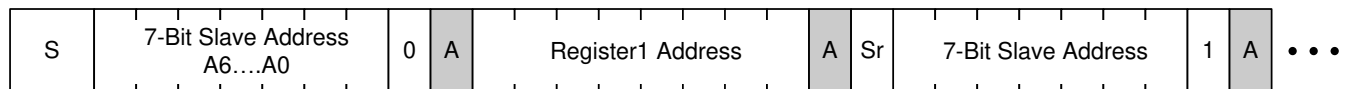


Fig 7-10. I<sup>2</sup>C Write Data Format



A: Acknowledge

N: Not Acknowledge

S: Start

P: Stop

Sr: Repeated Start

System Host

Chip

Fig 7-11. I<sup>2</sup>C Read Data Format

## 7.6 Register Maps

### 7.6.1 Control Register 1 (address = 0x00H) [reset = 00010000]

图 7-10. Control Register 1

7	6	5	4	3	2	1	0
0	0	0	0	1	0	0	0
R/W	R/W	R/W	R/W	R/W	R/W	R/W	R/W

LEGEND: R/W = Read/Write; R = Read only; -n = value after reset

表 7-5. Control Register 1

Bit	Field	Type	Reset	Description
7	I2C_CON	R/W	0	1: I <sup>2</sup> C control enabled 0: I <sup>2</sup> C control disabled
6	PWM/PSM	R/W	0	0: PSM at light load 1: Forced PWM
5		R/W		See 表 7-6 for output voltage selection
4	VSET3	R/W	0	
3	VSET2	R/W	1	
2	VSET1	R/W	0	
1	VSET0	R/W	0	
0	EXTM TONE	R/W	0	1: EXTM 44-kHz tone input support, with 44-kHz tone output at LNB 0: EXTM 44-kHz tone input not support, with only 22-kHz tone output at LNB

表 7-6. LNB Output Voltage Selection

VSET3	VSET2	VSET1	VSET0	LNB(V)
0	0	0	0	11
0	0	0	1	11.6
0	0	1	0	12.2
0	0	1	1	12.8
0	1	0	0	13.4
0	1	0	1	14
0	1	1	0	14.6
0	1	1	1	15.2
1	0	0	0	15.8
1	0	0	1	16.4
1	0	1	0	17
1	0	1	1	17.6
1	1	0	0	18.2
1	1	0	1	18.8
1	1	1	0	19.4
1	1	1	1	20

## 7.6.2 Control Register 2 (address = 0x01H) [reset = 0000101]

图 7-11. Control Register 2

7	6	5	4	3	2	1	0
0	0	0	0	1	0	0	1
R/W	R/W	R/W	R/W	R/W	R/W	R/W	R/W

LEGEND: R/W = Read/Write; R = Read only; -n = value after reset

表 7-7. Control Register 2

Bit	Field	Type	Reset	Description
7	TONEAMP	R/W	0	1: 22 kHz tone amplitude is 750 mV (typ) 0: 22 kHz tone amplitude is 650 mV (typ)
6	TIMER	R/W	0	1: Hiccup ON/OFF time set to 8 ms / 256 ms 0: Hiccup ON/OFF time set to 4 ms / 128 ms
5	l <sub>sw</sub>	R/W	0	1: Boost switch peak current limit set to 5 x I <sub>ocp</sub> + 0.8 A 0: Boost switch peak current limit set to 3 x I <sub>ocp</sub> + 0.8 A
4	FSET	R/W	0	1: 500 kHz switching frequency 0: 1 MHz switching frequency
3	EN	R/W	1	1: LNB output voltage Enabled 0: LNB output disabled
2	DOUTMODE	R/W	0	1: Reserved, cannot set to "1" 0: DOUT is kept to low when DIN has the tone input
1	TONE_AUTO	R/W	0	1: GDR (External bypass FET control) is automatically controlled by 22 kHz tones transmit 0: GDR (External bypass FET control) is controlled by TONE_TRANS
0	TONE_TRANS	R/W	1	1: GDR output with VCP voltage. Bypass FET is ON for tone transmit from TPS65235 0: GDR output with VLNB voltage for tone receive. Bypass FET is OFF for tone receiving from satellite

表 7-8. 22-kHz Tone Receive Mode Selection

TONE_AUTO	TONE_TRANS	Bypass FET
0	0	OFF
0	1	ON
1	x	Auto Detect

TPS65235 has full range of diagnostic flags for operation and debug. Processor can read the status register to check the error conditions. Once the error happens, the flags are changed, once the errors are gone, the flags are set back without I<sup>2</sup>C access.

If flags TSD and OCP are triggered, FAULT pin will be pulled low, so FAULT pin can be the interrupt signal to processor. Once TSD and OCP are set to "1", the FAULT pin logic is latched to low, processor need to read this status register in order to release the fault conditions.

### 7.6.3 Status Register (address = 0x02H) [reset = x0100000]

☒ 7-12. Status Register

7	6	5	4	3	2	1	0
0	0	0	0	1	0	0	1
R	R	R	R	R	R	R	R

LEGEND: R/W = Read/Write; R = Read only; -n = value after reset

表 7-9. Status Register

Bit	Field	Type	Reset	Description
7	Reserved	R		Reserved
6	TDETGOOD	R	0	1: 22 kHz tone detected on DIN pin is in range 0: 22 kHz tone detected on DIN pin is out of range
5	LDO_ON	R	1	1: Internal LDO is turned on and boost converter is on 0: Internal LDO is turned off but boost converter is on
4	T125	R	0	Die temperature > 125°C Die temperature < 125°C
3	TSD	R	0	1: Thermal shutdown triggered. The Fault pin logic is latched to low, processor need to read this register in order to release the fault conditions 0: No thermal shutdown triggered
2	OCP	R	0	1: Over current protection triggered. The Fault pin logic is latched to low, processor need to read this register in order to release the fault conditions 0: Overcurrent protection conditions released
1	CABLE_GOOD	R	0	1: Cable connection good 0: Cable not connected
0	VOUT_GOOD	R	0	1: LNB output voltage in range 0: LNB output voltage out of range

## 8 Application and Implementation

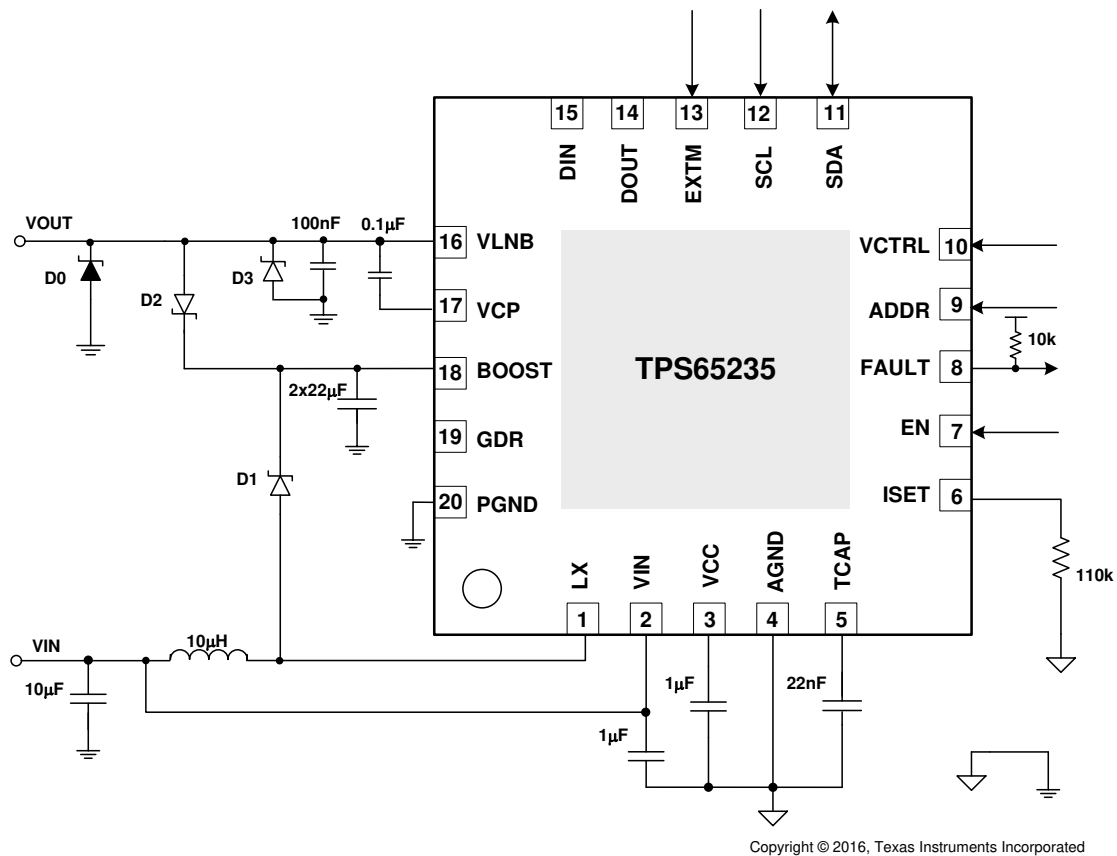
### Note

Information in the following applications sections is not part of the TI component specification, and TI does not warrant its accuracy or completeness. TI's customers are responsible for determining suitability of components for their purposes, as well as validating and testing their design implementation to confirm system functionality.

### 8.1 Application Information

#### 8.2 Typical Application for DiSEqC1.x Support

TPS65235 can work at both I<sup>2</sup>C and non I<sup>2</sup>C interface mode, [Figure 8-1](#) shows the application with I<sup>2</sup>C interface for supporting DiSEqC 1.x application. With non I<sup>2</sup>C mode, the SCL, SDA and ADDR pins can be floating.



**Figure 8-1. Application for DiSEqC1.x Support**

#### 8.2.1 Design Requirements

For this design example, see the parameters in [Table 8-1](#).

**Table 8-1. Design Parameters**

PARAMETER	VALUE
Input voltage range, $V_{IN}$	4.5 V to 16 V
Output voltage range $V_{LNB}$	11 V to 20 V
Output current range	0 A to 1 A

## 8.2.2 Detailed Design Procedure

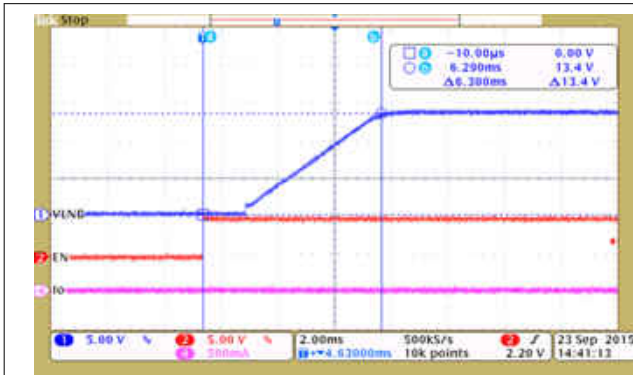
To begin the design process, following need to be done:

- Inductor choose
  - Based on the cost requirement, ripple requirement and [セクション 7.3.10](#) to choose the appropriate inductor.
- Boost capacitor choose
  - Based on the cost requirement, ripple requirement and [セクション 7.3.10](#) to choose the appropriate capacitors.
- Diodes choose.
  - D0 and D2 are for the surge protection requirement, if not requirement for surge, it can be removed. Refer to [セクション 7.3.10.3](#) for the part selection.
  - D1 is for the boost loop, schottky diode is recommended. The current and voltage capability of the D1 can be determined by the detail application which including input and output power range, and current requirement.
  - D3 is for the  $V_{LNB}$  output protection, schottky diode is recommended. The current and voltage capability of the D3 can be determined by the detail application for the output.



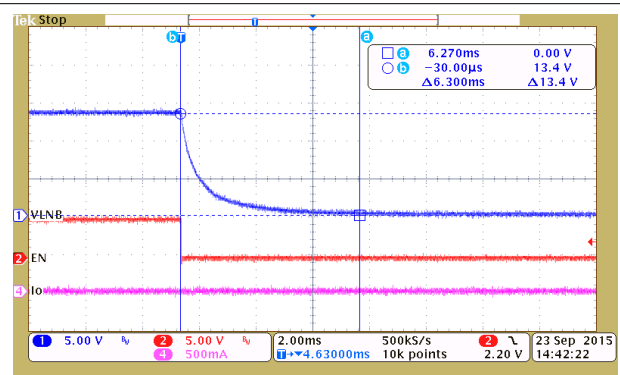
### 8.2.3 Application Curves

$T_A = 25^\circ\text{C}$ ,  $V_{IN} = 12\text{ V}$ ,  $f_{SW} = 1\text{ MHz}$ ,  $C_{Boost} = 2 \times 22\ \mu\text{F}/35\text{ V}$  (unless otherwise noted)



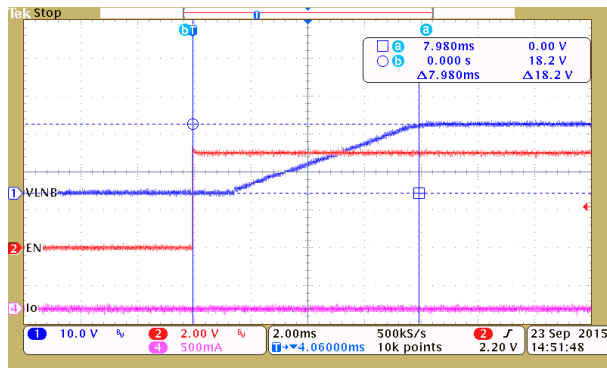
$V_{LNB} = 13.4\text{ V}$

8-2. Soft Start, Delay from EN High to LNB Output High



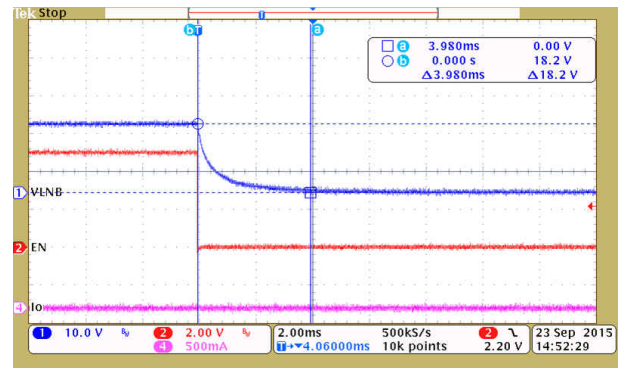
$V_{LNB} = 13.4\text{ V}$

8-3. Disabled, Delay From EN Low to LNB Output Low



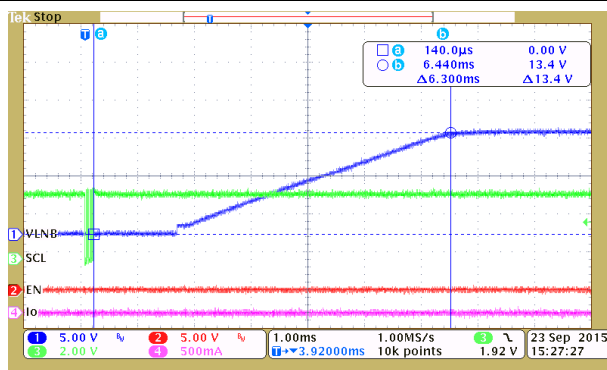
$V_{LNB} = 18.2\text{ V}$

8-4. Soft Start, Delay from EN High to LNB Output High



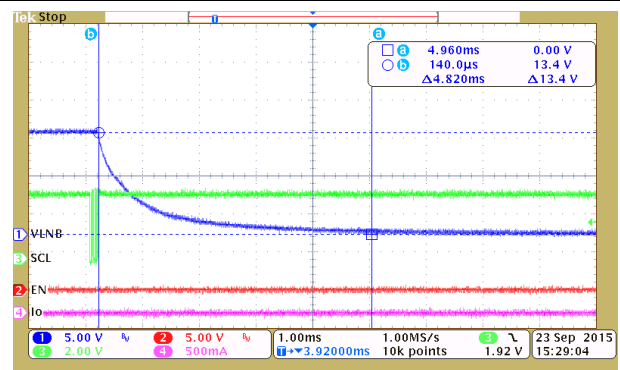
$V_{LNB} = 18.2\text{ V}$

8-5. Disabled, Delay From EN Low to LNB Output Low



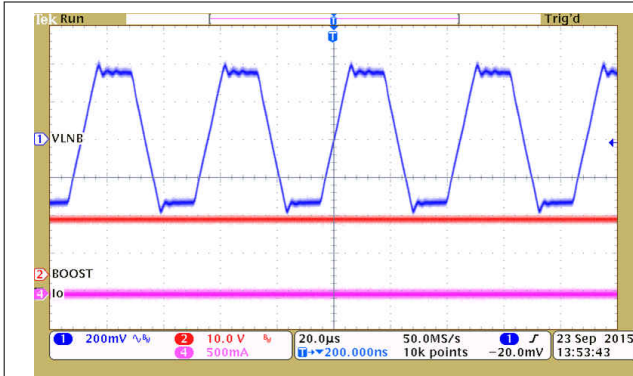
$EN = 0$   $V_{LNB} = 13.4\text{ V}$

8-6. Soft Start, Delay From I<sup>2</sup>C Enable (I2C\_CON=1) to LNB Output High



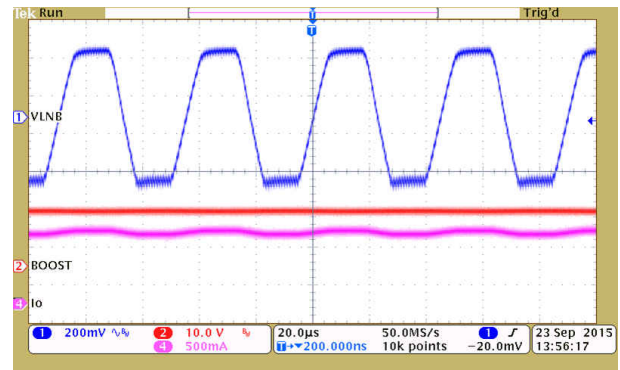
$EN = 0$   $V_{LNB} = 13.4\text{ V}$

8-7. Delay From I<sup>2</sup>C Disable (I2C\_CON=0) to LNB Output Low



$V_{LNB} = 13.4 \text{ V}$

**8-8. No Load, 22 kHz Tone Output**



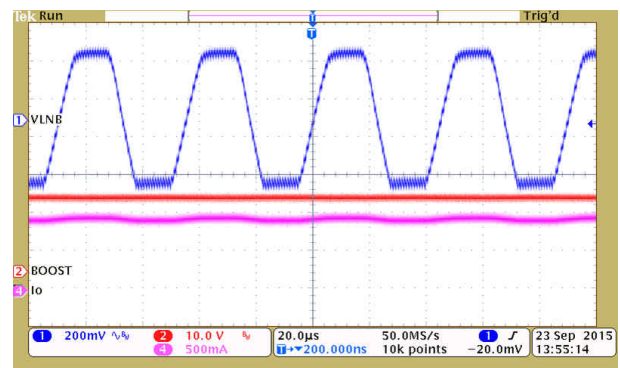
$V_{LNB} = 13.4 \text{ V}$

**8-9. 950 mA Load, 22 kHz Tone Output**



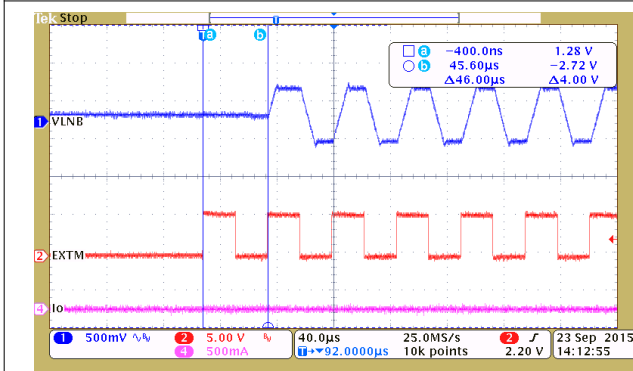
$V_{LNB} = 18.2 \text{ V}$

**8-10. No Load, 22 kHz Tone Output**

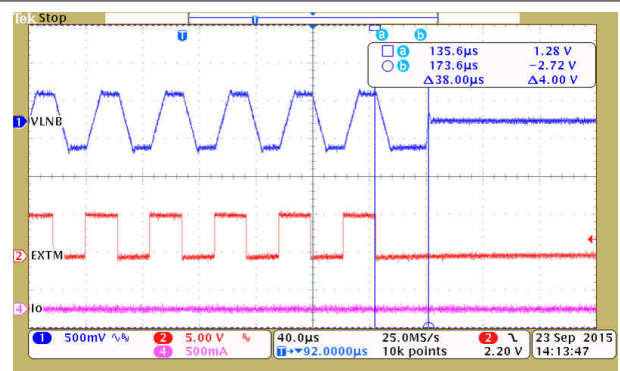


$V_{LNB} = 18.2 \text{ V}$

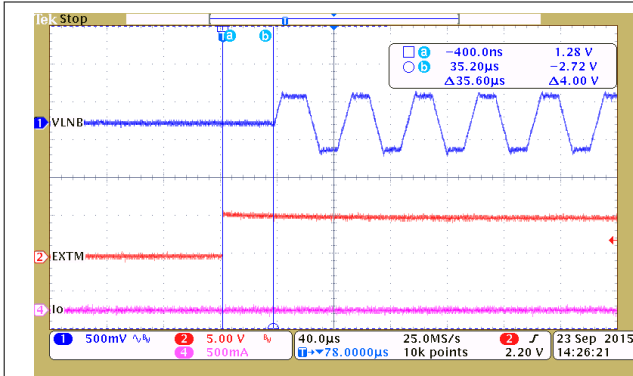
**8-11. 950 mA Load, 22 kHz Tone Output**



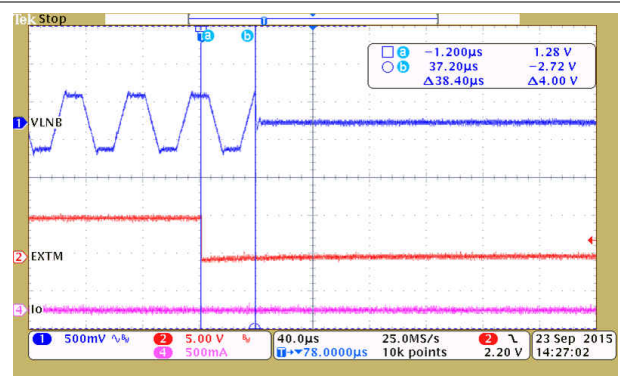
**8-12. No load, 22 kHz Tone Delay from EXTM 22 kHz Input Turns High To Output Tone On**



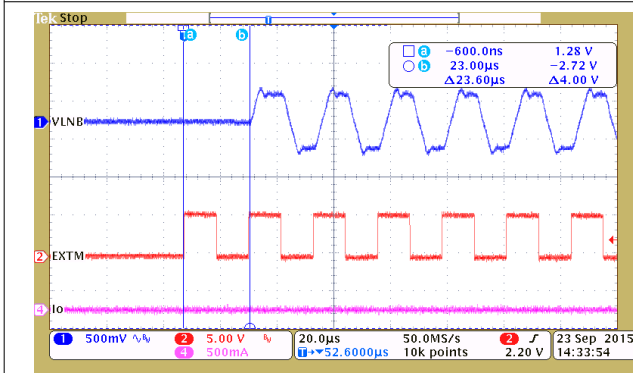
**8-13. No load, 22 kHz Tone Delay from EXTM 22 kHz Input Turns Low To Output Tone Off**



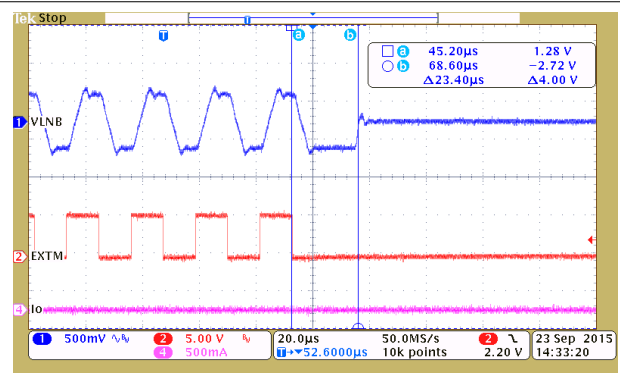

**8-14. No Load, 22 kHz Tone Delay From EXTM Tone Envelop Input Turns High To Output Tone On**




**8-15. No Load, 22 kHz Tone Delay From EXTM Tone Envelop Input Turns Low To Output Tone Off**




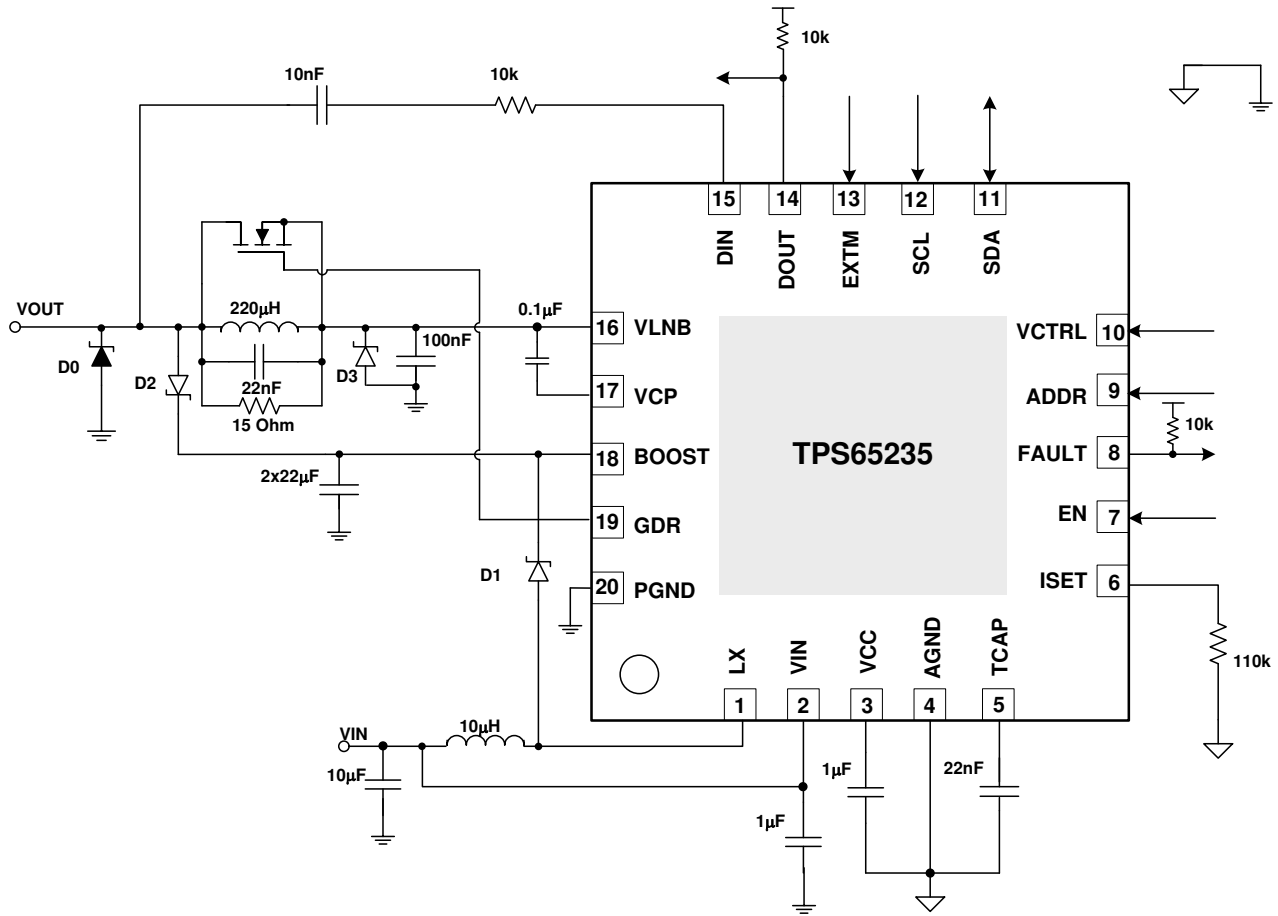

**8-16. No Load, 44 kHz Tone Delay From EXTM 22 kHz Input Turns High To Output Tone On**




**8-17. No Load, 44 kHz Tone Delay From EXTM 22 kHz Input Turns Low To Output Tone Off**

### 8.2.4 Typical Application for DiSEqC2.x Support

TPS65235 can support both DiSEqC 1.x application and DiSEqC 2.x application,  8-18 shows the application for supporting DiSEqC 2.x application.



Copyright © 2016, Texas Instruments Incorporated

 8-18. Application for DiSEqC2.x Support

#### 8.2.4.1 Design Requirements

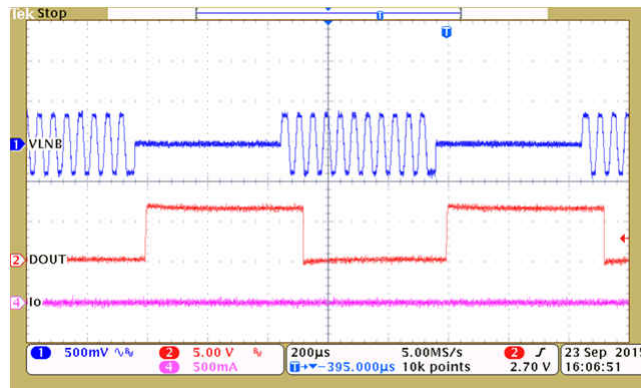
Refer to [セクション 8.2](#) for design requirements.

#### 8.2.4.2 Detailed Design Procedure

Refer to [セクション 8.2](#) for detailed design procedures.

### 8.2.4.3 Application Curves

Refer to [セクション 8.2](#) for application curves. While [図 8-19](#) is special for DiSEqC 2.x application for tone detection.



**図 8-19. DOUT Tone Detection Output**

## 9 Power Supply Recommendations

The devices are designed to operate from an input supply ranging from 4.5 V to 16 V. The input supply should be well regulated. If the input supply is located more than a few inches from the converter, an additional bulk capacitance typically 100 µF may be required in addition to the ceramic bypass capacitors.

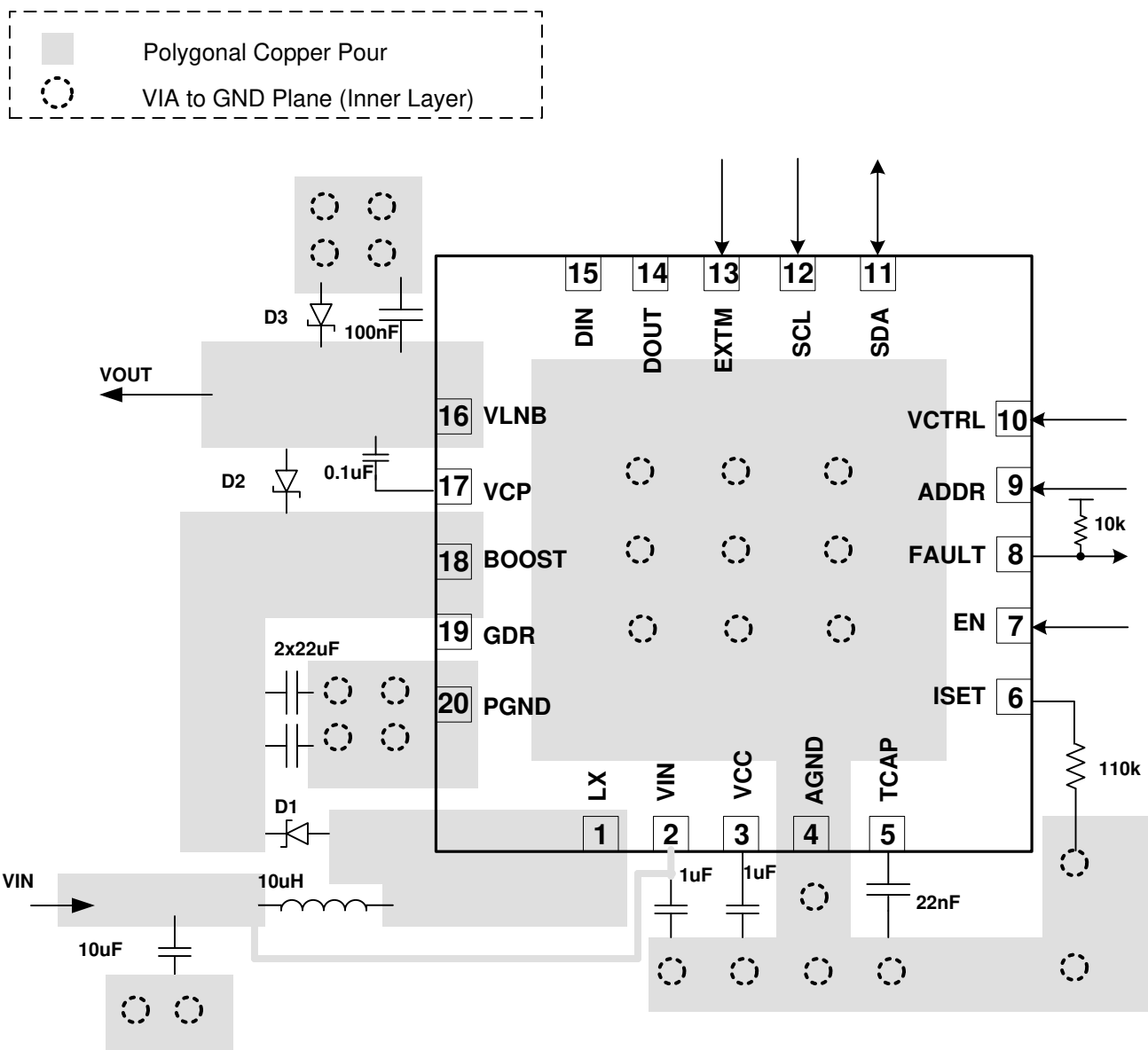
## 10 Layout

### 10.1 Layout Guidelines

TPS65235 is designed to layout in 2-layer PCB. To ensure reliability of the device, following common printed-circuit board layout guidelines is recommended.

- It is critical to make sure the GND of input capacitor, output capacitor and the boost converter are connected at one point at same layer.
- PGND and AGND are in different region, they are connected to the thermal pad. Other components are connected AGND.
- Put the capacitors for boost as close as possible.
- The loop from  $V_{IN}$ , inductor to LX should be as short as possible.
- The loop from  $V_{IN}$ , inductor, D1 Schottky diode to Boost should be as short as possible.
- The loop for boost capacitors to PGND should be within the loop from LX, D1 Schottky diode to Boost.

### 10.2 Layout Example



10-1. Layout

## 11 Device and Documentation Support

### 11.1 Receiving Notification of Documentation Updates

To receive notification of documentation updates, navigate to the device product folder on [ti.com](https://www.ti.com). Click on *Subscribe to updates* to register and receive a weekly digest of any product information that has changed. For change details, review the revision history included in any revised document.

### 11.2 サポート・リソース

[TI E2E™ サポート・フォーラム](#)は、エンジニアが検証済みの回答と設計に関するヒントをエキスパートから迅速かつ直接得ることができる場所です。既存の回答を検索したり、独自の質問をしたりすることで、設計に必要な支援を迅速に得ることができます。

リンクされているコンテンツは、該当する貢献者により、現状のまま提供されるものです。これらは TI の仕様を構成するものではなく、必ずしも TI の見解を反映したものではありません。TI の[使用条件](#)を参照してください。

### 11.3 Trademarks

TI E2E™ is a trademark of Texas Instruments.

すべての商標は、それぞれの所有者に帰属します。

### 11.4 Electrostatic Discharge Caution



This integrated circuit can be damaged by ESD. Texas Instruments recommends that all integrated circuits be handled with appropriate precautions. Failure to observe proper handling and installation procedures can cause damage.

ESD damage can range from subtle performance degradation to complete device failure. Precision integrated circuits may be more susceptible to damage because very small parametric changes could cause the device not to meet its published specifications.

### 11.5 Glossary

[TI Glossary](#) This glossary lists and explains terms, acronyms, and definitions.

## 12 Mechanical, Packaging, and Orderable Information

The following pages include mechanical, packaging, and orderable information. This information is the most current data available for the designated devices. This data is subject to change without notice and revision of this document. For browser-based versions of this data sheet, refer to the left-hand navigation.

**PACKAGING INFORMATION**

Orderable Device	Status (1)	Package Type	Package Drawing	Pins	Package Qty	Eco Plan (2)	Lead finish/ Ball material (6)	MSL Peak Temp (3)	Op Temp (°C)	Device Marking (4/5)	Samples
TPS65235RUKR	ACTIVE	WQFN	RUK	20	3000	RoHS & Green	NIPDAU	Level-2-260C-1 YEAR	-40 to 125	65235	<a href="#">Samples</a>
TPS65235RUKT	ACTIVE	WQFN	RUK	20	250	RoHS & Green	NIPDAU	Level-2-260C-1 YEAR	-40 to 125	65235	<a href="#">Samples</a>

(1) The marketing status values are defined as follows:

**ACTIVE:** Product device recommended for new designs.

**LIFEBUY:** TI has announced that the device will be discontinued, and a lifetime-buy period is in effect.

**NRND:** Not recommended for new designs. Device is in production to support existing customers, but TI does not recommend using this part in a new design.

**PREVIEW:** Device has been announced but is not in production. Samples may or may not be available.

**OBSOLETE:** TI has discontinued the production of the device.

(2) **RoHS:** TI defines "RoHS" to mean semiconductor products that are compliant with the current EU RoHS requirements for all 10 RoHS substances, including the requirement that RoHS substance do not exceed 0.1% by weight in homogeneous materials. Where designed to be soldered at high temperatures, "RoHS" products are suitable for use in specified lead-free processes. TI may reference these types of products as "Pb-Free".

**RoHS Exempt:** TI defines "RoHS Exempt" to mean products that contain lead but are compliant with EU RoHS pursuant to a specific EU RoHS exemption.

**Green:** TI defines "Green" to mean the content of Chlorine (Cl) and Bromine (Br) based flame retardants meet JS709B low halogen requirements of <=1000ppm threshold. Antimony trioxide based flame retardants must also meet the <=1000ppm threshold requirement.

(3) MSL, Peak Temp. - The Moisture Sensitivity Level rating according to the JEDEC industry standard classifications, and peak solder temperature.

(4) There may be additional marking, which relates to the logo, the lot trace code information, or the environmental category on the device.

(5) Multiple Device Markings will be inside parentheses. Only one Device Marking contained in parentheses and separated by a "~" will appear on a device. If a line is indented then it is a continuation of the previous line and the two combined represent the entire Device Marking for that device.

(6) Lead finish/Ball material - Orderable Devices may have multiple material finish options. Finish options are separated by a vertical ruled line. Lead finish/Ball material values may wrap to two lines if the finish value exceeds the maximum column width.

**Important Information and Disclaimer:**The information provided on this page represents TI's knowledge and belief as of the date that it is provided. TI bases its knowledge and belief on information provided by third parties, and makes no representation or warranty as to the accuracy of such information. Efforts are underway to better integrate information from third parties. TI has taken and continues to take reasonable steps to provide representative and accurate information but may not have conducted destructive testing or chemical analysis on incoming materials and chemicals. TI and TI suppliers consider certain information to be proprietary, and thus CAS numbers and other limited information may not be available for release.

In no event shall TI's liability arising out of such information exceed the total purchase price of the TI part(s) at issue in this document sold by TI to Customer on an annual basis.





**TAPE AND REEL INFORMATION**

**QUADRANT ASSIGNMENTS FOR PIN 1 ORIENTATION IN TAPE**


\*All dimensions are nominal

Device	Package Type	Package Drawing	Pins	SPQ	Reel Diameter (mm)	Reel Width W1 (mm)	A0 (mm)	B0 (mm)	K0 (mm)	P1 (mm)	W (mm)	Pin1 Quadrant
TPS65235RUKR	WQFN	RUK	20	3000	330.0	12.4	3.3	3.3	1.1	8.0	12.0	Q2
TPS65235RUKT	WQFN	RUK	20	250	180.0	12.4	3.3	3.3	1.1	8.0	12.0	Q2

**TAPE AND REEL BOX DIMENSIONS**


\*All dimensions are nominal

Device	Package Type	Package Drawing	Pins	SPQ	Length (mm)	Width (mm)	Height (mm)
TPS65235RUKR	WQFN	RUK	20	3000	346.0	346.0	33.0
TPS65235RUKT	WQFN	RUK	20	250	210.0	185.0	35.0

## GENERIC PACKAGE VIEW

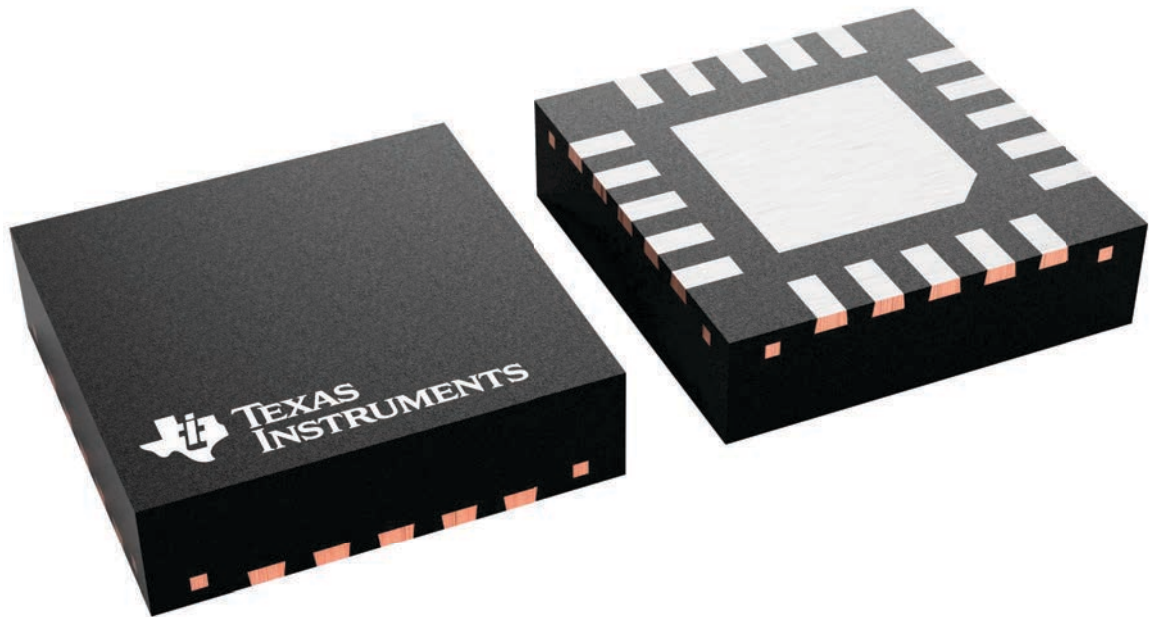
**RUK 20**

**WQFN - 0.8 mm max height**

3 x 3, 0.4 mm pitch

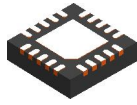
PLASTIC QUAD FLATPACK - NO LEAD

This image is a representation of the package family, actual package may vary.  
Refer to the product data sheet for package details.



4229651/A

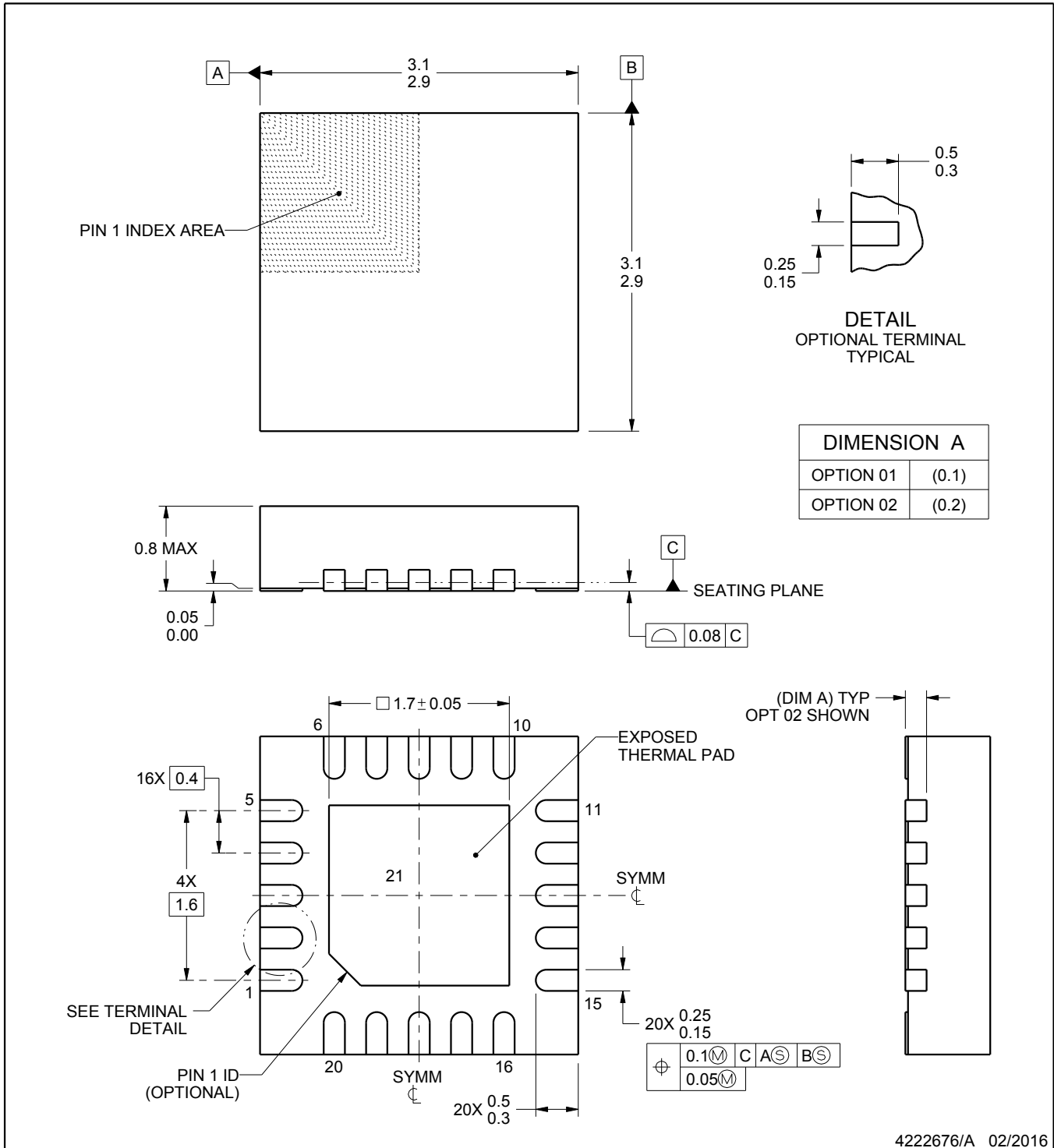
# RUK0020B



# PACKAGE OUTLINE

## WQFN - 0.8 mm max height

PLASTIC QUAD FLATPACK - NO LEAD



4222676/A 02/2016

**NOTES:**

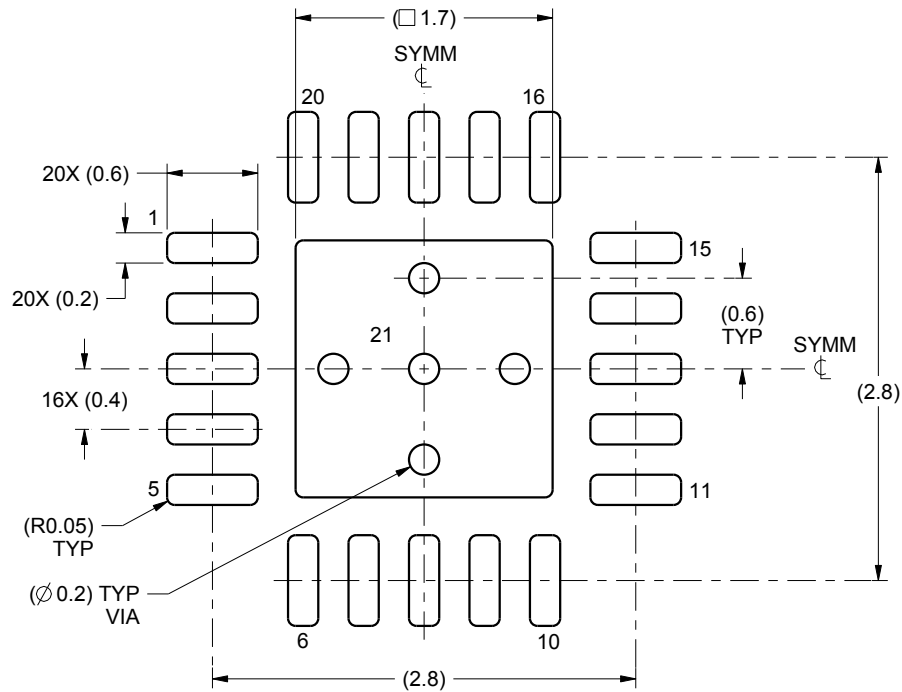
1. All linear dimensions are in millimeters. Any dimensions in parenthesis are for reference only. Dimensioning and tolerancing per ASME Y14.5M.
2. This drawing is subject to change without notice.
3. The package thermal pad must be soldered to the printed circuit board for thermal and mechanical performance.

# EXAMPLE BOARD LAYOUT

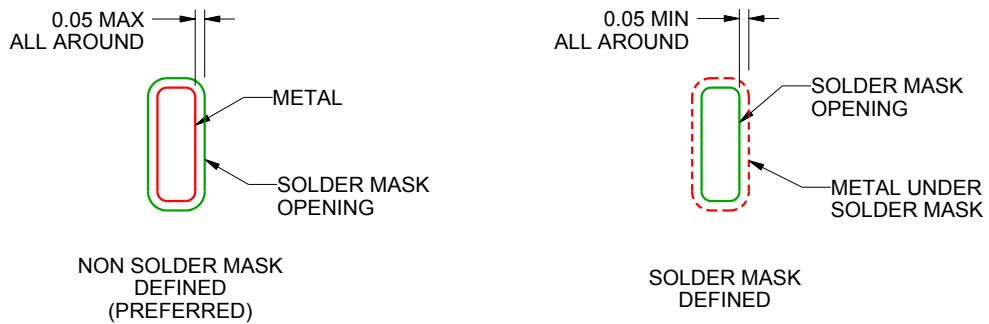
RUK0020B

WQFN - 0.8 mm max height

PLASTIC QUAD FLATPACK - NO LEAD



LAND PATTERN EXAMPLE  
SCALE:20X



SOLDER MASK DETAILS

4222676/A 02/2016

NOTES: (continued)

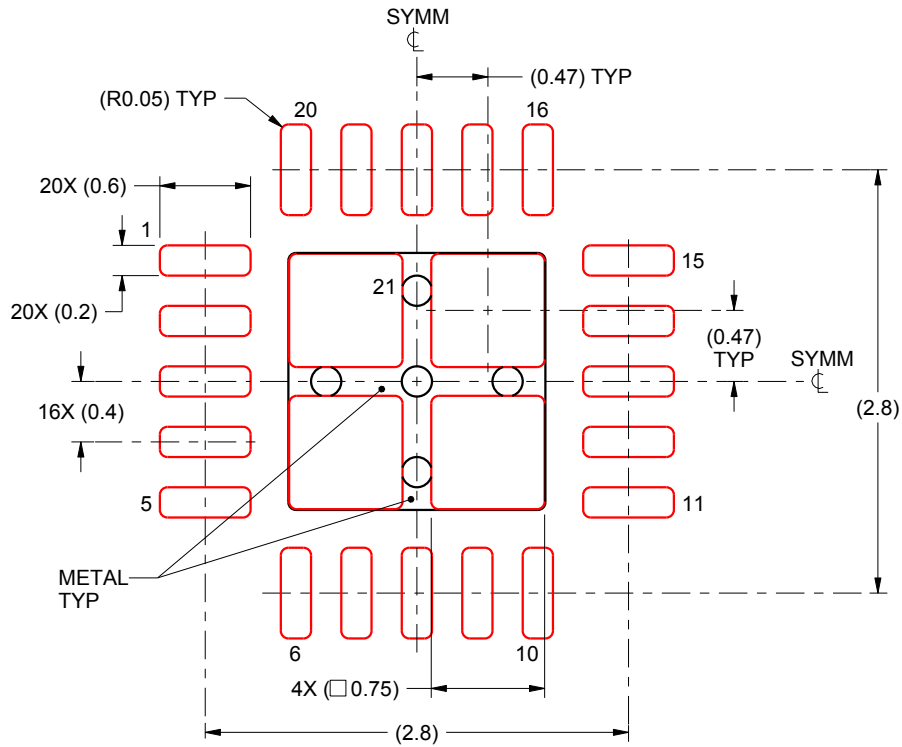
4. This package is designed to be soldered to a thermal pad on the board. For more information, see Texas Instruments literature number SLUA271 ([www.ti.com/lit/sluea271](http://www.ti.com/lit/sluea271)).
5. Vias are optional depending on application, refer to device data sheet. If any vias are implemented, refer to their locations shown on this view. It is recommended that vias under paste be filled, plugged or tented.

# EXAMPLE STENCIL DESIGN

RUK0020B

WQFN - 0.8 mm max height

PLASTIC QUAD FLATPACK - NO LEAD



## SOLDER PASTE EXAMPLE BASED ON 0.1 mm THICK STENCIL

EXPOSED PAD 21:  
78% PRINTED SOLDER COVERAGE BY AREA UNDER PACKAGE  
SCALE:20X

4222676/A 02/2016

NOTES: (continued)

6. Laser cutting apertures with trapezoidal walls and rounded corners may offer better paste release. IPC-7525 may have alternate design recommendations.

## 重要なお知らせと免責事項

TI は、技術データと信頼性データ（データシートを含みます）、設計リソース（リファレンス・デザインを含みます）、アプリケーションや設計に関する各種アドバイス、Web ツール、安全性情報、その他のリソースを、欠陥が存在する可能性のある「現状のまま」提供しており、商品性および特定目的に対する適合性の黙示保証、第三者の知的財産権の非侵害保証を含むいかなる保証も、明示的または黙示的にかかわらず拒否します。

これらのリソースは、TI 製品を使用する設計の経験を積んだ開発者への提供を意図したものです。(1) お客様のアプリケーションに適した TI 製品の選定、(2) お客様のアプリケーションの設計、検証、試験、(3) お客様のアプリケーションに該当する各種規格や、その他のあらゆる安全性、セキュリティ、規制、または他の要件への確実な適合に関する責任を、お客様のみが単独で負うものとし、

上記の各種リソースは、予告なく変更される可能性があります。これらのリソースは、リソースで説明されている TI 製品を使用するアプリケーションの開発の目的でのみ、TI はその使用をお客様に許諾します。これらのリソースに関して、他の目的で複製することや掲載することは禁止されています。TI や第三者の知的財産権のライセンスが付与されている訳ではありません。お客様は、これらのリソースを自身で使用した結果発生するあらゆる申し立て、損害、費用、損失、責任について、TI およびその代理人を完全に補償するものとし、TI は一切の責任を拒否します。

TI の製品は、[TI の販売条件](#)、または [ti.com](#) やかかる TI 製品の関連資料などのいずれかを通じて提供する適用可能な条項の下で提供されています。TI がこれらのリソースを提供することは、適用される TI の保証または他の保証の放棄の拡大や変更を意味するものではありません。

お客様がいかなる追加条項または代替条項を提案した場合でも、TI はそれらに異議を唱え、拒否します。

郵送先住所：Texas Instruments, Post Office Box 655303, Dallas, Texas 75265  
Copyright © 2024, Texas Instruments Incorporated