

TUSB521-Q1 車載用 USB Type-C® 5Gbps リニア リドライバのマルチプレクサとデマルチプレクサ

1 特長

- USB Type-C® 2:1 または 1:2 リドライバ マルチプレクサ
- 最大 5Gbps の USB 3.2 をサポート
- 超低消費電力アーキテクチャ
- 2.5GHz で最大 11.6dB のイコライゼーションを備えたリニアリドライバ
- 16 のイコライゼーション設定
- GPIO または I²C により設定可能
- 1.8V または 3.3V の I²C 信号レベルをサポート
- ホットプラグ対応
- ホスト/デバイス側の要件が不要
- 3.3V 単一電源で動作
- 車載グレード 2 の温度範囲: -40°C~105°C
- パッケージ: 5mm × 7mm、0.5mm ピッチの VQFN

2 アプリケーション

- [車載テスター](#)
- [車載ヘッド ユニット](#)
- [車載用インフォテインメントおよびクラスタ](#)

3 概要

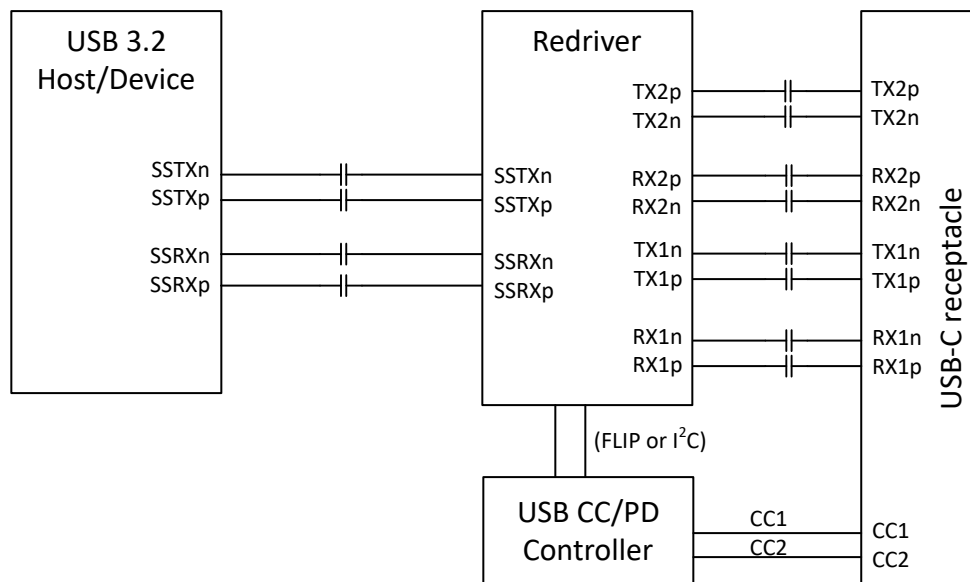
TUSB521-Q1 は、リニア リドライバで、USB Type-C® アプリケーション向けに 1:2 デマルチプレクサまたは 2:1 マルチプレクサ機能を搭載しています。TUSB521-Q1 は、ホストと USB-C® レセプタクルの間、または USB デバイスと USB-C® レセプタクルの間に設置することを意図しています。5 は、最大 TUSB521-Q1Gbps の USB 3.2 データレートに加えて、USB 3.2 の低消費電力状態 (切断、U1、U2、U3) をサポートしています。

TUSB521-Q1 には、16 レベルの受信リニア イコライゼーションがあり、ケーブルおよび基板配線での損失によるシンボル間干渉 (ISI) を補償できます。このデバイスは単一の 3.3V 電源で動作し、車載グレード 2 の温度範囲に対応しています。

パッケージ情報

部品番号	パッケージ ⁽¹⁾	パッケージ サイズ ⁽²⁾
TUSB521-Q1	RGF (VQFN, 40)	7mm × 5mm

- (1) 供給されているすべてのパッケージについては、[セクション 12](#) を参照してください。
- (2) パッケージ サイズ (長さ × 幅) は公称値であり、該当する場合はピンも含まれます。



概略回路図



Table of Contents

1 特長	1	8.2 Typical Application.....	22
2 アプリケーション	1	8.3 Power Supply Recommendations.....	26
3 概要	1	8.4 Layout.....	26
4 Pin Configuration and Functions	3	9 Register Maps	28
5 Specifications	6	9.1 General Register (address = 0x0A) [reset = 00000001].....	28
5.1 Absolute Maximum Ratings.....	6	9.2 USB3.2 Control/Status Registers (address = 0x20) [reset = 00000000].....	28
5.2 ESD Ratings.....	6	9.3 USB3.2 Control/Status Registers (address = 0x21) [reset = 00000000].....	29
5.3 Recommended Operating Conditions.....	6	9.4 USB3.2 Control/Status Registers (address = 0x22) [reset = 00000000].....	29
5.4 Thermal Information.....	6	10 Device and Documentation Support	31
5.5 Electrical Characteristics.....	7	10.1 ドキュメントの更新通知を受け取る方法.....	31
5.6 Timing Requirements.....	9	10.2 サポート・リソース.....	31
5.7 Switching Characteristics.....	9	10.3 Trademarks.....	31
5.8 Typical Characteristics.....	11	10.4 静電気放電に関する注意事項.....	31
6 Parameter Measurement Information	13	10.5 用語集.....	31
7 Detailed Description	14	11 Revision History	31
7.1 Overview.....	14	12 Mechanical, Packaging, and Orderable Information	31
7.2 Functional Block Diagram.....	15		
7.3 Feature Description.....	15		
7.4 Device Functional Modes.....	16		
7.5 Programming.....	18		
8 Application and Implementation	22		
8.1 Application Information.....	22		

4 Pin Configuration and Functions

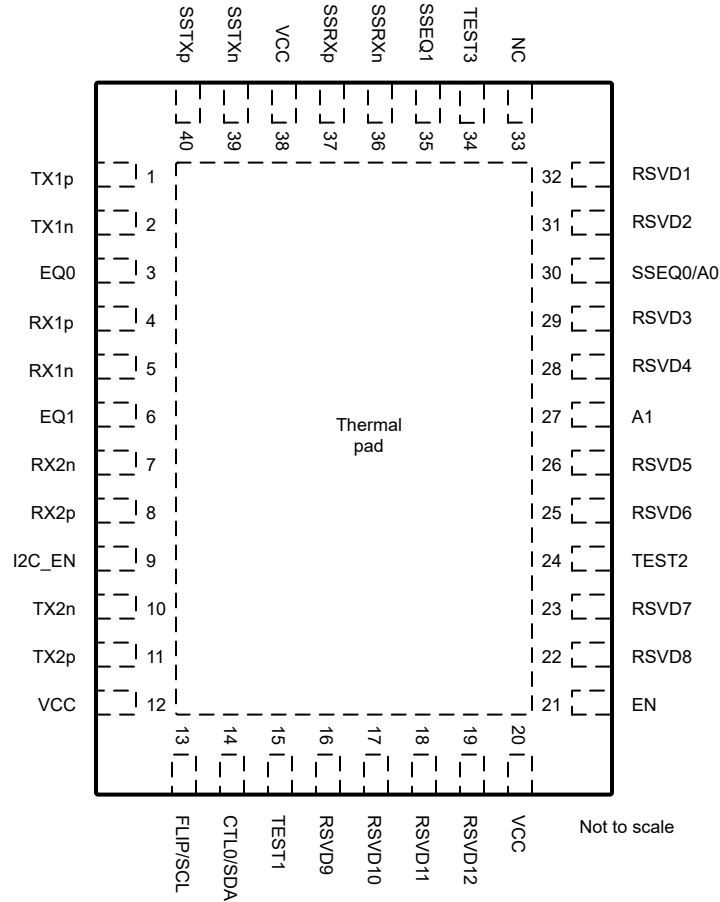


図 4-1. RGF Package, 40-Pin (VQFN) (Top View)

表 4-1. Pin Functions

PIN		TYPE ⁽¹⁾	DESCRIPTION
NAME	NO.		
RSVD1	32	O	Reserved. Leave unconnected.
RSVD2	31	O	Reserved. Leave unconnected.
RSVD3	29	O	Reserved. Leave unconnected.
RSVD4	28	O	Reserved. Leave unconnected.
RSVD5	26	O	Reserved. Leave unconnected.
RSVD6	25	O	Reserved. Leave unconnected.
RSVD7	23	O	Reserved. Leave unconnected.
RSVD8	22	O	Reserved. Leave unconnected.
TX1n	2	Diff O	Differential negative output. Connect to the TX1n pin on the Type-C receptacle through an external AC-coupling capacitor.
TX1p	1	Diff O	Differential positive output. Connect to the TX1p pin on the Type-C receptacle through an external AC-coupling capacitor.
RX1n	5	Diff I	Differential negative input. Connect to the RX1n pin on the Type-C receptacle through an external AC-coupling capacitor.
RX1p	4	Diff I	Differential positive input. Connect to the RX1p pin on the Type-C receptacle through an external AC-coupling capacitor.

表 4-1. Pin Functions (続き)

PIN		TYPE ⁽¹⁾	DESCRIPTION
NAME	NO.		
RX2p	8	Diff I	Differential positive input. Connect to the RX2p pin on the Type-C receptacle through an external AC-coupling capacitor.
RX2n	7	Diff I	Differential negative input. Connect to the RX2p pin on the Type-C receptacle through an external AC-coupling capacitor.
TX2p	11	Diff O	Differential positive output. Connect to the TX2p pin on the Type-C receptacle through an external AC-coupling capacitor.
TX2n	10	Diff O	Differential negative output. Connect to the TX2n pin on the Type-C receptacle through an external AC-coupling capacitor.
SSTXp	40	Diff I	Differential positive input. Connect to the USB3.2 Host/Device transmitter through an external AC-coupling capacitor.
SSTXn	39	Diff I	Differential negative input. Connect to the USB3.2 Host/Device transmitter through an external AC-coupling capacitor.
SSRXp	37	Diff O	Differential positive output. Connect to the USB3.2 Host/Device receiver through an external AC-coupling capacitor.
SSRXn	36	Diff O	Differential negative output. Connect to the USB3.2 Host/Device receiver through an external AC-coupling capacitor.
EQ1	6	4 Level I	This pin along with EQ0 sets the USB receiver equalizer gain for RX1 and RX2. If not used, this pin can be left unconnected.
EQ0	3	4 Level I	This pin along with EQ1 sets the USB receiver equalizer gain for RX1 and RX2. If not used, this pin can be left unconnected.
EN	21	2 Level I (PD)	Device Enable. For normal operation, pull this pin up to 3.3V through a 10k to 50kΩ resistor.
TEST2	24	2 Level I	Test4. Connect directly to GND or pulldown with a 100k or less resistor.
I2C_EN	9	4 Level I	I ² C Programming Mode or GPIO Programming Select. I ² C is only disabled when this pin is "0". 0 = GPIO mode (I ² C disabled) R = TI Test Mode (I ² C enabled at 3.3V) F = I ² C enabled at 1.8V 1 = I ² C enabled at 3.3V.
RSVD9	16	I/O, CMOS	Reserved. Leave unconnected.
RSVD10	17	I/O, CMOS	Reserved. Leave unconnected.
RSVD11	18	I/O, CMOS	Reserved. Leave unconnected.
RSVD12	19	I/O, CMOS	Reserved. Leave unconnected.
TEST3	34	4 Level I	Test pin. Leave unconnected.
A1	27	4 Level I	When I2C_EN ≠ "0", this pin also sets the TUSB521-Q1 I ² C address.
SSEQ1	35	4 Level I	Along with SSEQ0, sets the USB receiver equalizer gain for SSTXP/N receiver.
SSEQ0/A0	30	4 Level I	Along with SSEQ1, sets the USB receiver equalizer gain for SSTXP/N receiver. When I2C_EN ≠ "0", this pin also sets the TUSB521-Q1 I ² C address. If I2C_EN = "F", then this pin must be set to "F" or "0".
FLIP/SCL	13	2 Level I (Failsafe) (PD)	When I2C_EN = "0", this is Flip control pin, L: normal orientation H: flip orientation When I2C_EN != "0", this pin is I ² C clock. When used for a I ² C clock, pull up to the VCC I2C supply on the I ² C controller.
CTL0/SDA	14	2 Level I (Failsafe) (PD)	When I2C_EN = "0", this is a USB3.2 control pin, L: USB disabled H: USB enabled When I2C_EN != "0", this pin is I ² C data. When used for I ² C data, pull up to the VCC I2C supply on the I ² C controller.
TEST1	15	2 Level I (PD)	Test. Leave unconnected or pulldown to GND.
VCC	12	P	3.3V Power Supply

表 4-1. Pin Functions (続き)

PIN		TYPE ⁽¹⁾	DESCRIPTION
NAME	NO.		
VCC	20	P	3.3V Power Supply
VCC	38	P	3.3V Power Supply
NC	33	NC	No connect pin. Leave open.
GND	Thermal Pad	G	Ground

(1) I = input, O = output, Diff = differential, P = power, NC = no connection, G = ground

5 Specifications

5.1 Absolute Maximum Ratings

over operating free-air temperature and voltage range (unless otherwise noted)⁽¹⁾

		MIN	MAX	UNIT
V _{CC}	Supply voltage range	-0.3	4	V
V _{IN_DIFF}	Differential voltage at differential inputs		±2.5	V
V _{IN_SE}	Input voltage at differential inputs	-0.5	4	V
V _{IN_CMOS}	Input voltage at CMOS inputs	-0.3	4	V
T _J	Junction temperature		125	°C
T _{STG}	Storage temperature	-65	150	°C

(1) Operation outside the *Absolute Maximum Ratings* may cause permanent device damage. Absolute Maximum Ratings do not imply functional operation of the device at these or any other conditions beyond those listed under *Recommended Operating Conditions*. If used outside the Recommended Operating Conditions but within the Absolute Maximum Ratings, the device may not be fully functional, and this may affect device reliability, functionality, performance, and shorten the device lifetime.

5.2 ESD Ratings

			VALUE	UNIT
V _(ESD)	Electrostatic discharge	Human body model (HBM), per AEC Q100-002 ⁽¹⁾ , all pins	±4000	V
		Charged device model (CDM), per AEC Q100-011, all pins	±1500	

(1) AEC Q100-002 indicates that HBM stressing must be in accordance with the ANSI/ESDA/JEDEC JS-001 specification.

5.3 Recommended Operating Conditions

over operating free-air temperature and voltage range (unless otherwise noted)

		MIN	NOM	MAX	UNIT
V _{CC}	Supply voltage	3	3.3	3.6	V
V _{CC_RAMP}	Power supply ramp	0.1		100	ms
V _{I2C}	Supply that external resistors on SDA and SCL are pulled up too	1.7		3.6	V
V _{PSN}	Power supply noise on VCC			100	mV
T _A	Ambient temperature	-40		105	°C
T _{PCB}	PCB temperature (1mm away from the device)	-40		112	°C

5.4 Thermal Information

THERMAL METRIC ⁽¹⁾		Device	UNIT
		RGF (VQFN)	
		40 PINS	
R _{θJA}	Junction-to-ambient thermal resistance	29.3	°C/W
R _{θJC(top)}	Junction-to-case (top) thermal resistance	18.6	°C/W
R _{θJB}	Junction-to-board thermal resistance	10.8	°C/W
Ψ _{JT}	Junction-to-top characterization parameter	0.3	°C/W
Ψ _{JB}	Junction-to-board characterization parameter	10.7	°C/W
R _{θJC(bot)}	Junction-to-case (bottom) thermal resistance	3.5	°C/W

(1) For more information about traditional and new thermal metrics, see the [Semiconductor and IC Package Thermal Metrics](#) application note.

5.5 Electrical Characteristics

over operating free-air temperature and voltage range (unless otherwise noted)

PARAMETER		TEST CONDITIONS	MIN	TYP	MAX	UNIT
Power						
$P_{CC-ACTIVE-USB}$	Average active power in USB-only mode while in U0	CTL0 = H; Link in U0 at 5Gbps;		340		mW
$P_{CC-NC-USB}$	Average power in USB mode while in disconnect state.	CTL0 = H; No USB device detected;		2.5		mW
$P_{CC-U2U3}$	Average power in USB mode while in U2/U3 state	CTL0 = H; Link in U2 or U3;		2.5		mW
$P_{CC-SHUTDOWN}$	Average power in shutdown mode.	CTL0 = L; I2C_EN = "0";		0.7		mW
4-State CMOS Inputs(EQ[1:0], SSEQ[1:0], I2C_EN)						
I_{IH}	High-level input current	$V_{CC} = 3.6V; V_{IN} = 3.6V$	20		80	μA
I_{IL}	Low-level input current	$V_{CC} = 3.6V; V_{IN} = 0V$	-160		-40	μA
4-Level V_{TH}	Threshold 0 / R	$V_{CC} = 3.3V$		0.59		V
	Threshold R/ Float	$V_{CC} = 3.3V$		1.65		V
	Threshold Float / 1	$V_{CC} = 3.3V$		2.7		V
R_{PU}	Internal pullup resistance			45		k Ω
R_{PD}	Internal pulldown resistance			95		k Ω
2-State CMOS Input (EN, FLIP, CTL0) CTL0 and FLIP are Failsafe						
V_{IH}	High-level input voltage		2.2		3.6	V
V_{IL}	Low-level input voltage		0		0.8	V
R_{PD}	Internal pull-down resistance for FLIP, CTL0, and EN.			500		k Ω
I_{IH-EN}	High-level input current for EN pin	$V_{IN} = 3.6V$	4		12	μA
I_{IL-EN}	Low-level input current for EN pin	$V_{IN} = GND, V_{CC} = 3.6V$	-1		1	μA
$I_{IH-FLIP}$	High-level input current for FLIP pin	$V_{IN} = 3.6V$	4		12	μA
$I_{IL-FLIP}$	Low-level input current for FLIP pin	$V_{IN} = GND, V_{CC} = 3.6V$	-1		1	μA
$I_{IH-CTL0}$	High-level input current for CTL0 pin	$V_{IN} = 3.6V$	4		12	μA
$I_{IL-CTL0}$	Low-level input current for CTL0 pin	$V_{IN} = GND, V_{CC} = 3.6V$	-1		1	μA
I2C Control Pins SCL, SDA						
V_{IH}	High-level input voltage	I2C_EN = "1" or "R" (3.3V I2C levels)	2.2		3.6	V
V_{IL}	Low-level input voltage	I2C_EN = "1" or "R" (3.3V I2C levels)	0		0.8	V
V_{IH}	High-level input voltage	I2C_EN = "F" (1.8V I2C levels)	1.2		3.6	V
V_{IL}	Low-level input voltage	I2C_EN = "F" (1.8V I2C levels)	0		0.4	V
V_{OL}	Low-level output voltage	I2C_EN != "0"; $I_{OL} = 3mA$	0		0.4	V
I_{OL}	Low-level output current	I2C_EN != "0"; $V_{OL} = 0.4V$	20			mA
I_{i_I2C}	Input current on SDA pin	$0.1 \times V_{I2C} < \text{Input voltage} < 3.3V$	-10		10	μA
C_{i_I2C}	Input capacitance				10	pF
USB Differential Receiver (RX1P/N, RX2P/N, SSTXP/N)						
$V_{RX-DIFF-PP}$	Input differential peak-peak voltage swing linear dynamic range	AC-coupled differential peak-to-peak signal measured post CTLE through a reference channel		1200		mVppd
$V_{RX-DC-CM}$	Common-mode voltage bias in the receiver (DC)			0		V
$R_{RX-DIFF-DC}$	Differential input impedance (DC)	Present after a USB3 device is detected on TXP/TXN	72		120	Ω

5.5 Electrical Characteristics (続き)

over operating free-air temperature and voltage range (unless otherwise noted)

PARAMETER		TEST CONDITIONS	MIN	TYP	MAX	UNIT
R _{RX-CM-DC}	Receiver DC common mode impedance	Present after a USB3 device is detected on TXP/TXN	18		30	Ω
Z _{RX-HIGH-IMP-DC-POS}	Common-mode input impedance with termination disabled (DC)	Present when no USB3 device is detected on TXP/TXN. Measured over the range of 0V to 500mV with respect to GND.	25			kΩ
V _{SIGNAL-DET-DIFF-PP}	Input differential peak-to-peak signal detect assert level	At 5Gbps, No loss and bit rate PRBS7 pattern		80		mVppd
V _{RX-IDLE-DET-DIFF-PP}	Input differential peak-to-peak signal detect de-assert level	At 5Gbps, No loss and bit rate PRBS7 pattern		60		mVppd
V _{RX-LFPS-DET-DIFF-PP}	Low-frequency periodic signaling (LFPS) detect threshold	25°C ≤ T _A ≤ 105°C; Below the minimum is squelched. Tested at 25MHz and 300mVppd VIN.	100		300	mVppd
RL _{RX-DIFF}	Differential return loss	50MHz to 1.25GHz at 90Ω; Lowest EQ setting; FLIP = L;		-23		dB
RL _{RX-DIFF}	Differential return loss	2.5GHz at 90Ω; Lowest EQ setting; FLIP = L;		-22		dB
RL _{RX-CM}	Common-mode return loss	50MHz to 2.5GHz at 90Ω; Lowest EQ setting; FLIP = L;		-13		dB
EQ _{SS}	Receiver equalization for RX1/2 receivers at maximum setting	At 2.5GHz; FLIP = L;		11.6		dB
EQ _{SS}	Receiver equalization for SSTX receiver at maximum setting	At 2.5GHz; FLIP = L;		10		dB
USB Differential Transmitter (TX1P/N, TX2P/N, SSRXP/N)						
V _{TX-DIFF-PP}	Transmitter dynamic differential voltage swing range.			1300		mVppd
V _{TX-RCV-DETECT}	Amount of voltage change allowed during Receiver Detection	At 3.3V			600	mV
V _{TX-CM-IDLE-DELTA}	Transmitter idle common-mode voltage change while in U2/U3 and not actively transmitting LFPS	Measured at the connector side of the AC-coupling capacitor with 50Ω load	-600		600	mV
V _{TX-DC-CM}	Common-mode voltage bias in the transmitter (DC)	In U0;	1.5		2.1	V
V _{TX-CM-AC-PP-ACTIVE}	TX AC common-mode voltage active	At 3.3V; Maximum mismatch from Txp+Txn for both time and amplitude			100	mVpp
V _{TX-IDLE-DIFF-AC-PP}	AC electrical idle differential peak-to-peak output voltage	At package pins after high-pass filter (HPF) to remove DC component; HPF = 1/LPF; No AC or DC signals are applied at RX terminals;	0		10	mV
V _{TX-IDLE-DIFF-DC}	DC electrical idle differential output voltage	At package pins after low-pass filter (LPF) to remove AC component; LPF = 1/HPF; No AC or DC signals are applied at RX terminals;	0		10	mV
V _{TX-CM-DC-ACTIVE-IDLE-DELTA}	Absolute DC common-mode voltage between U1 and U0	At package pin			200	mV
R _{TX-DIFF}	Differential impedance of the driver		75		120	Ω
R _{TX-CM}	Common-mode impedance of the driver	Measured with respect to AC ground over 0V to 500mV	18		30	Ω

5.5 Electrical Characteristics (続き)

over operating free-air temperature and voltage range (unless otherwise noted)

PARAMETER		TEST CONDITIONS	MIN	TYP	MAX	UNIT
C _{AC-COUPLING}	External AC-coupling capacitor		75		265	nF
I _{TX-SHORT}	TX short-circuit current	TX+/- shorted to GND			67	mA
RL _{TX-DIFF}	Differential return loss (SDD22)	50MHz to 1.25GHz at 90Ω; Lowest EQ setting; FLIP = L;		-25		dB
RL _{TX-DIFF-2.5G}	Differential return loss (SDD22)	2.5GHz at 90Ω; Lowest EQ setting; FLIP = L;		-12		dB
RL _{TX-CM}	Common-mode return loss (SCC22)	50MHz to 2.5GHz at 90Ω; Lowest EQ setting; FLIP = L;		-14		dB
AC Electrical Characteristics						
Crosstalk	Differential crosstalk between TX and RX signal pairs	At 2.5GHz; FLIP = L;		-45		dB
G _{LF}	Low-frequency voltage gain.	At 100MHz, 600mVpp V _{ID}	-0.25	0.6	1.5	dB
G _{LF_LFPS_TX1/2}	Low-frequency voltage gain for SSTX → TX1/TX2 path	At 10MHz to 50MHz sine wave; 1.0Vpp V _{ID} ; EQ = 0; FLIP = 0 and 1;	-0.5	0.8	1.6	dB
CP _{1 dB-LF}	Low-frequency -1dB compression point	At 100MHz, 200mVpp < V _{ID} < 2000mVpp		1000		mVpp
CP _{1 dB-HF}	High-frequency -1dB compression point	At 2.5GHz, 200mVpp < V _{ID} < 2000mVpp		1000		mVpp
D _{J_5G}	TX output deterministic jitter	200mVpp < V _{ID} < 2000mVpp, PRBS7, 5Gbps, 10dB pre-channel and 1dB post-channel, Optimal EQ setting		0.025		UIpp

5.6 Timing Requirements

		MIN	NOM	MAX	UNIT
USB3					
t _{IDLEEntry}	Delay from U0 to electrical idle		10		ns
t _{IDLEExit_U1}	U1 exit time: break in electrical idle to the transmission of LFPS		6		ns
t _{IDLEExit_U2U3}	U2/U3 exit time: break in electrical idle to transmission of LFPS		10		μs
t _{RXDET_INTVL}	RX detect interval while in disconnect			12	ms
t _{DLEExit_DISC}	Disconnect exit time		10		μs
t _{Exit_SHTDN}	Shutdown exit time (CTL0 = V _{CC} /2 to U2/U3)		1		ms
t _{DIFF_DLY}	Differential propagation delay (20% to 80% of differential voltage measured 1.7 inch from the output pin)			300	ps
t _{PWRUPACTIVE}	Time when V _{CC} reaches 70% to device active			1	ms
t _R , t _F	Output rise/fall time		40		ps
t _{RF-MM}	Output rise/fall time mismatch (20% to 80% of differential voltage measured 1.7 inch from the output pin)			5	ps

5.7 Switching Characteristics

over operating free-air temperature range (unless otherwise noted)

PARAMETER		TEST CONDITIONS	MIN	TYP	MAX	UNIT
I²C (SDA and SCL)						
f _{SCL}	I ² C clock frequency				1	MHz

5.7 Switching Characteristics (続き)

over operating free-air temperature range (unless otherwise noted)

PARAMETER		TEST CONDITIONS	MIN	TYP	MAX	UNIT
t_{BUF}	Bus free time between START and STOP conditions		0.5			μs
t_{HDSTA}	Hold time after repeated START condition. After this period, the first clock pulse is generated		0.26			μs
t_{LOW}	Low period of the I ² C clock		0.5			μs
t_{HIGH}	High period of the I ² C clock		0.26			μs
t_{SUSTA}	Setup time for a repeated START condition		0.26			μs
t_{HDDAT}	Data hold time		0.004			μs
t_{SUDAT}	Data setup time		50			ns
t_R	Rise time of both SDA and SCL signals				120	ns
t_F	Device output fall time for SDA	30pF load	0.7		5	ns
t_{SUSTO}	Setup time for STOP condition		0.26			μs
C_b	Capacitive load for each bus line				100	pF

5.8 Typical Characteristics

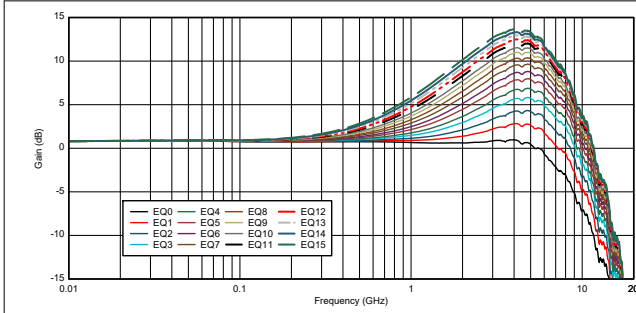


図 5-1. USB RX1 EQ Settings Curves

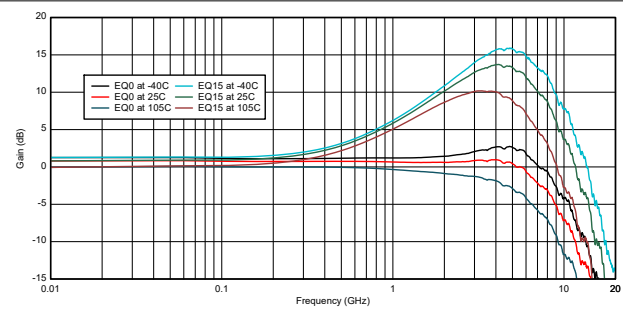


図 5-2. USB3 RX1 EQ0 and EQ15 Across Temperature

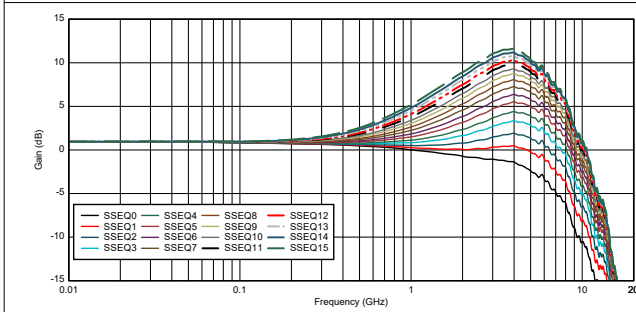


図 5-3. USB SSTX EQ Settings Curves

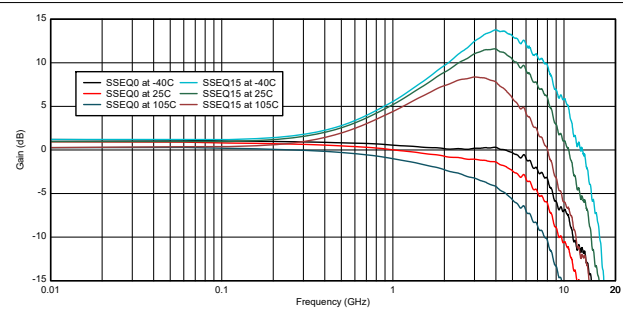


図 5-4. USB3 SSTX SSEQ0 and SSEQ15 Across Temperature

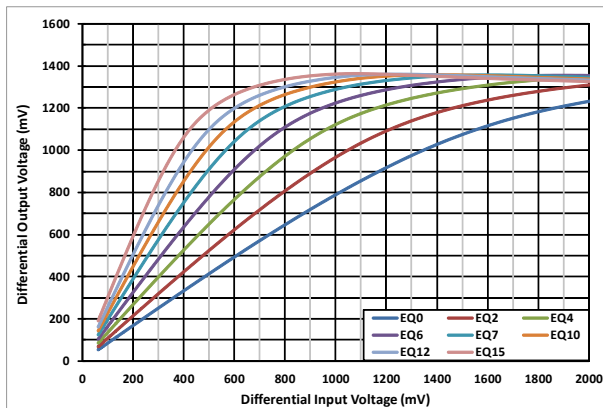


図 5-5. USB SSTX Linearity Curves at 2.5GHz

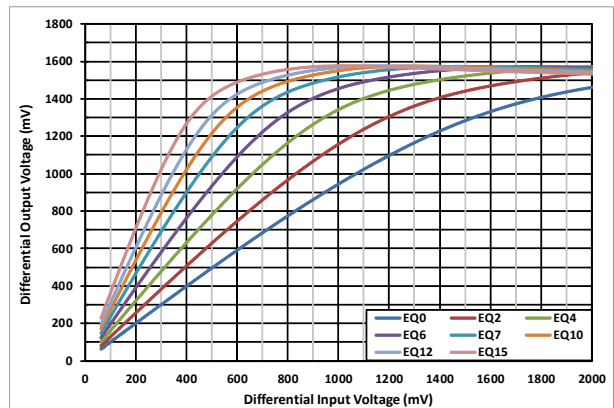


図 5-6. USB RX1 Linearity Curves at 2.5GHz

5.8 Typical Characteristics (continued)

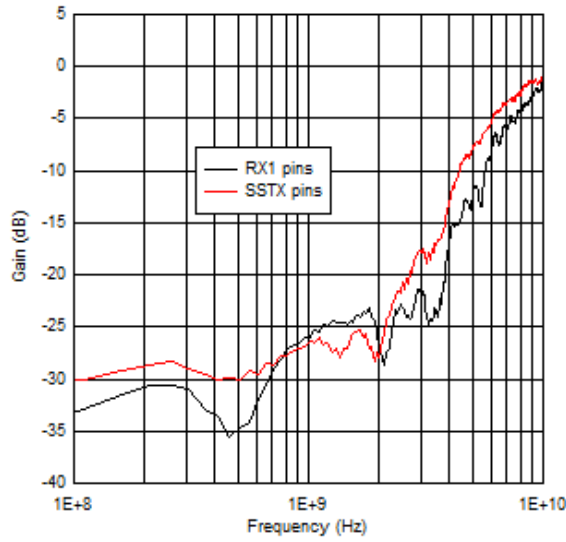


図 5-7. Input Return Loss Performance

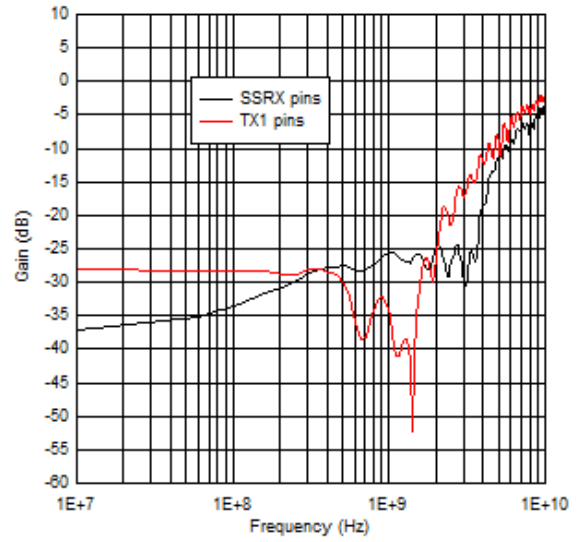


図 5-8. Output Return Loss Performance

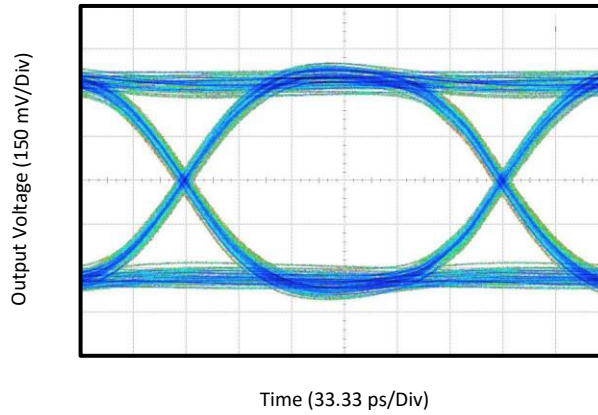


図 5-9. USB 3.2 Gen1 Eye-Pattern Performance with 12-inch Input PCB Trace at 5Gbps

6 Parameter Measurement Information

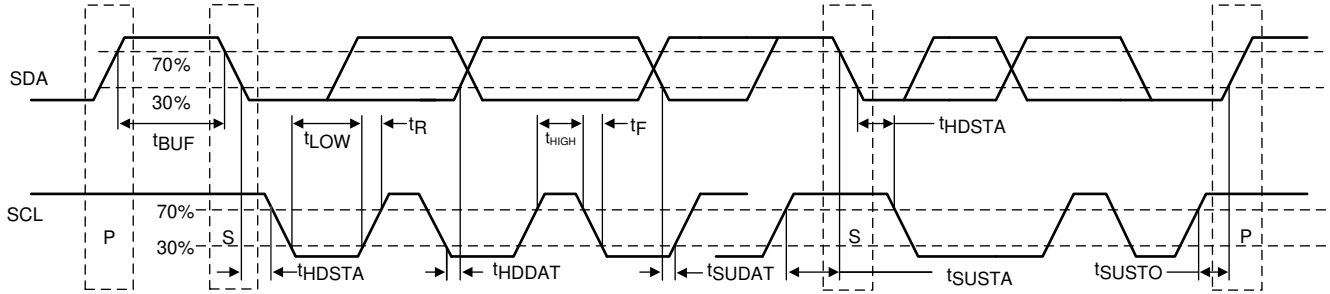


图 6-1. I²C Timing Diagram Definitions

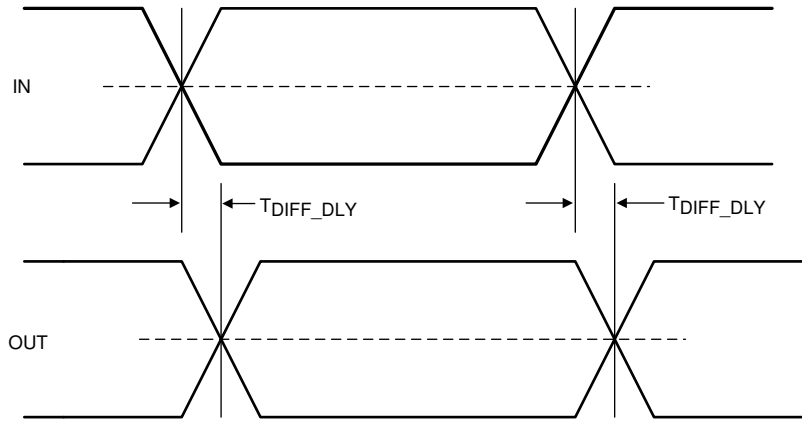


图 6-2. Propagation Delay

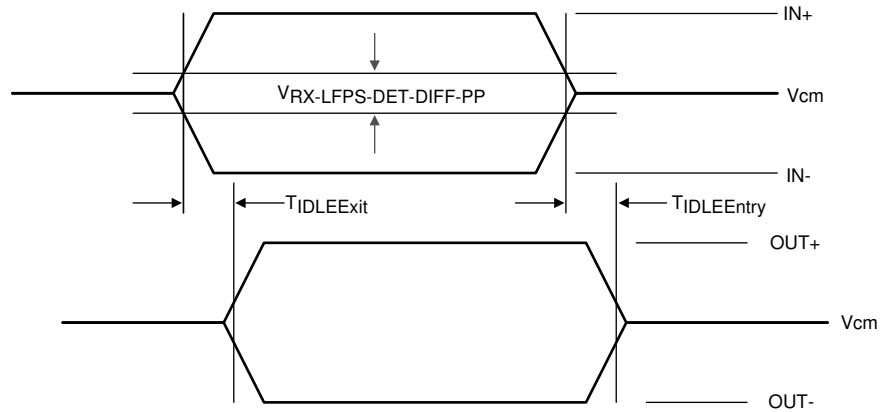


图 6-3. Electrical Idle Mode Exit and Entry Delay

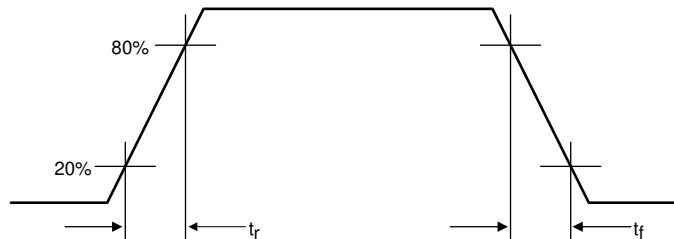


图 6-4. Output Rise and Fall Times

7 Detailed Description

7.1 Overview

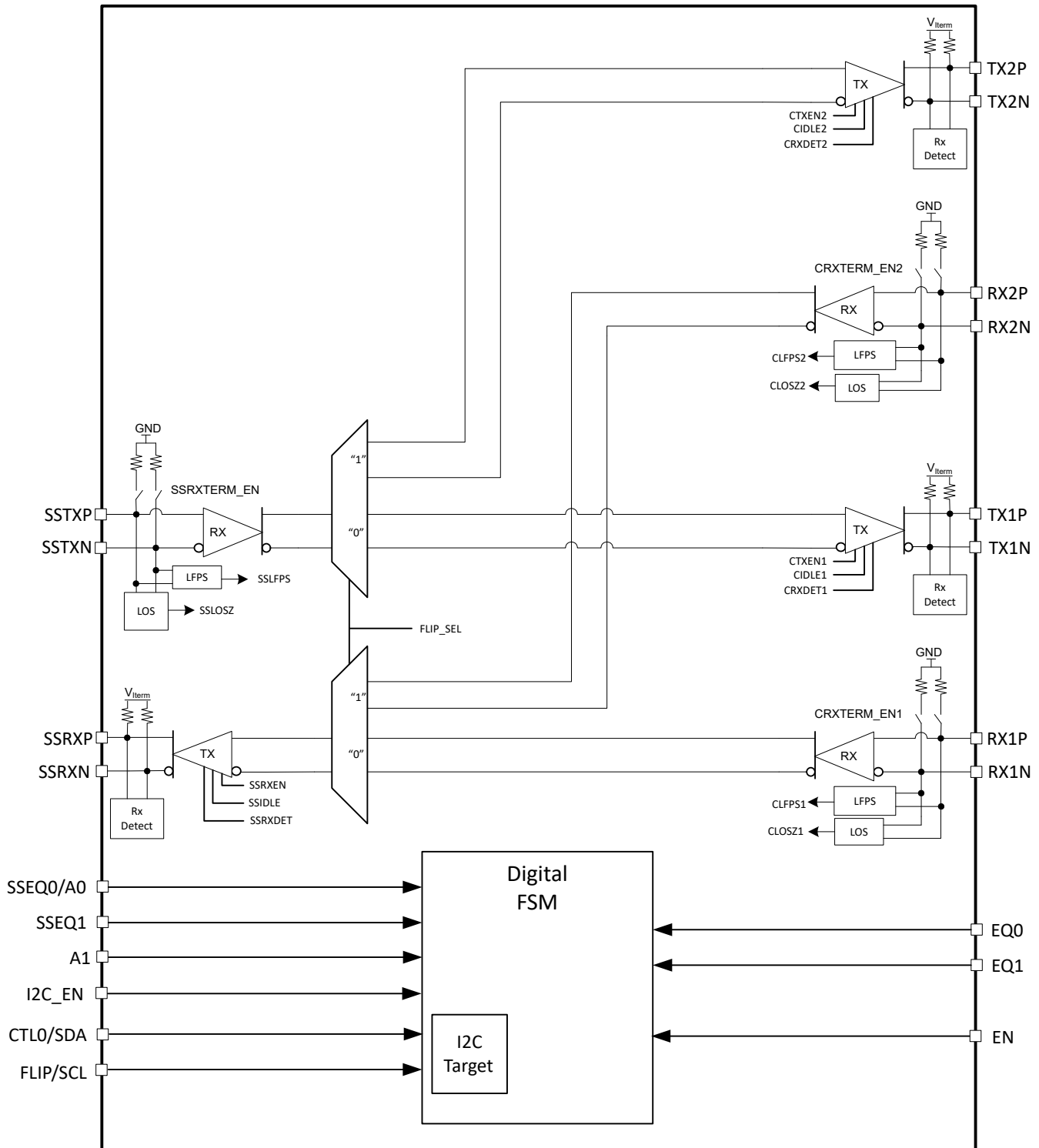
The TUSB521-Q1 is a linear re-driving switch that supports data rates up to 5Gbps. This device uses 5th generation USB re-driver technology.

The TUSB521-Q1 provides sixteen levels of receive equalization to compensate for cable and board trace loss which if not equalized causes inter-symbol interference (ISI) when USB 3.2 signals travel across a PCB or cable. This device requires a 3.3V power supply. The device comes in an automotive grade 2 temperature range.

The TUSB521-Q1 enables the system to pass both transmitter compliance and receiver jitter tolerance tests for USB 3.2. The re-driver recovers incoming data by applying equalization that compensates for channel loss, and drives out signals with a high differential voltage. Each channel has a receiver equalizer with selectable gain settings. Set the equalization based on the amount of insertion loss in the channels connected to the TUSB521-Q1. Independent equalization control for each channel can be set using EQ[1:0] and SSEQ[1:0] pins.

The TUSB521-Q1 advanced state machine makes the device transparent to hosts and devices. After power up, the TUSB521-Q1 periodically performs receiver detection on the TX pairs. If the device detects a USB 3.2 receiver, the RX termination is enabled, and the TUSB521-Q1 is ready to re-drive.

7.2 Functional Block Diagram



7.3 Feature Description

7.3.1 USB 3.2

The TUSB521-Q1 supports USB 3.2 up to 5Gbps. The TUSB521-Q1 supports all the USB defined power states (U0, U1, U2, and U3). The TUSB521-Q1 is a linear redriver, therefore the TUSB521-Q1 cannot decode USB3.2

physical layer traffic. The TUSB521-Q1 monitors the actual physical layer conditions like receiver termination, electrical idle, LFPS, and SuperSpeed signaling rate to determine the USB power state of the USB 3.2 interface.

The TUSB521-Q1 features an intelligent low-frequency periodic signaling (LFPS) detector. The LFPS detector automatically senses the low-frequency signals and disables receiver equalization functionality. When not receiving LFPS, the TUSB521-Q1 enables receiver equalization based on the EQ[1:0] and SSEQ[1:0] pins or values programmed into EQ1_SEL, EQ2_SEL, and SSEQ_SEL registers.

7.3.2 4-Level Inputs

The TUSB521-Q1 has (I2C_EN, EQ[1:0], and SSEQ[1:0]) 4-level inputs pins that are used to control the equalization gain and place TUSB521-Q1 into different modes of operation. These 4-level inputs use a resistor divider to help set the four valid levels and provide a wider range of control settings. There is an internal 35k Ω pullup and a 95k Ω pulldown. These resistors, together with the external resistor connection combine to achieve the desired voltage level.

表 7-1. 4-Level Control Pin Settings

LEVEL	SETTINGS
0	Tie 1k Ω 5% to GND
R	Tie 20k Ω 5% to GND
F	Float (leave pin open)
1	Tie 1k Ω 5% to V _{CC}

注

All 4-level inputs are latched after the rising edge of internal reset. After t_{cfg_hd} , the internal pullup and pulldown resistors are isolated to save power.

7.3.3 Receiver Linear Equalization

The purpose of receiver equalization is to compensate for channel insertion loss and the resulting inter-symbol interference in the system before the input or after the output of the TUSB521-Q1. The receiver overcomes these losses by attenuating the low-frequency components of the signals with respect to the high-frequency components. Select the proper gain setting to match the channel insertion loss. Two 4-level input pins enable up to 16 possible equalization settings. USB3.2 upstream path and USB3.2 downstream path each have two 4-level inputs. The TUSB521-Q1 also provides the flexibility of adjusting settings through I²C registers.

7.4 Device Functional Modes

7.4.1 USB 3.2 2:1 MUX Description

The TUSB521-Q1 implements a 2:1 MUX between the USB-C receptacle and the USB 3.2 host, hub, or device. In pin-strap mode the selection of MUX path is controlled from the FLIP pin. In I²C mode, the MUX is controlled by FLIP_SEL register.

表 7-2. USB 3.2 MUX Control

FLIP PIN OR FLIP_SEL REGISTER	CTL0 PIN OR CTLSEL REGISTER	USB PATH
X	0	Disabled
0	1	RX1 → SSRX
		SSTX → TX1
1	1	RX2 → SSRX
		SSTX → TX2

7.4.2 Linear EQ Configuration

Each of the TUSB521-Q1 receiver lanes has individual controls for receiver equalization. The receiver equalization gain value can be controlled either through I²C registers or through GPIOs. The following table details the gain value for each available combination when TUSB521-Q1 is in GPIO mode. These same options are also available in I²C mode by updating registers EQ1_SEL, EQ2_SEL, and SSEQ_SEL. Each of the 4-bit EQ configuration registers is mapped to the configuration pins as follows: x_SEL = {x1[1:0],x0[1:0]} where xn[1:0] are the EQ configuration pins with pin levels mapped to 2-bit values as: 0 = 00, R = 01, F = 10, 1 = 11.

表 7-3. TUSB521-Q1 Receiver Equalization GPIO Control

EQUALIZATION SETTING #	RX1 and RX2 PORTS			SSTX PORT		
	EQ1 PIN LEVEL	EQ0 PIN LEVEL	EQ GAIN AT 2.5GHz (dB)	SSEQ1 PIN LEVEL	SSEQ0 PIN LEVEL	EQ GAIN AT 2.5GHz (dB)
0	0	0	-0.7	0	0	-0.9
1	0	R	1.8	0	R	0.2
2	0	F	2.7	0	F	1.1
3	0	1	3.7	0	1	2.2
4	R	0	4.6	R	0	3.0
5	R	R	5.5	R	R	4.0
6	R	F	6.3	R	F	4.8
7	R	1	7.0	R	1	5.6
8	F	0	7.8	F	0	6.4
9	F	R	8.5	F	R	7.0
10	F	F	9.1	F	F	7.6
11	F	1	9.7	F	1	8.2
12	1	0	10.1	1	0	8.7
13	1	R	10.7	1	R	9.2
14	1	F	11.1	1	F	9.7
15	1	1	11.6	1	1	10.2

7.4.3 USB3.2 Modes

The TUSB521-Q1 monitors the physical layer conditions like receiver termination, electrical idle, LFPS, and SuperSpeed signaling rate to determine the state of the USB3.2 interface. Depending on the state of the USB 3.2 interface, the TUSB521-Q1 can be in one of four primary modes of operation when USB 3.2 is enabled (CTL0 = H or CTLSEL0 = 1b1): Disconnect, U2/U3, U1, and U0.

The Disconnect mode is the state in which TUSB521-Q1 has not detected far-end termination on upstream facing port (UFP) or downstream facing port (DFP). The Disconnect mode is the lowest power mode of each of the four modes. The TUSB521-Q1 remains in this mode until far-end receiver termination has been detected on both UFP and DFP. The TUSB521-Q1 immediately exits this mode and enter U0 after far-end termination is detected.

When in U0 mode, the TUSB521-Q1 redrives all traffic received on UFP and DFP. U0 is the highest power mode of all USB3.1 modes. The TUSB521-Q1 remains in U0 mode until electrical idle occurs on both UFP and DFP. Upon detecting electrical idle, the TUSB521-Q1 immediately transitions to U1.

The U1 mode is the intermediate mode between U0 mode and U2/U3 mode. In U1 mode, the TUSB521-Q1 UFP and DFP receiver termination remains enabled. The UFP and DFP transmitter DC common mode is maintained. The power consumption in U1 is similar to power consumption of U0.

Next to the Disconnect mode, the U2/U3 mode is next lowest power state. While in this mode, the TUSB521-Q1 periodically performs far-end receiver detection. Anytime the far-end receiver termination is not detected on either UFP or DFP, the TUSB521-Q1 leaves the U2/U3 mode and transitions to the Disconnect mode. The device also monitors for a valid LFPS. Upon detection of a valid LFPS, the TUSB521-Q1 immediately transitions to the U0 mode. In U2/U3 mode, the TUSB521-Q1 receiver terminations remain enabled but the TX DC common-mode voltage is not maintained.

7.4.4 Operation Timing – Power Up

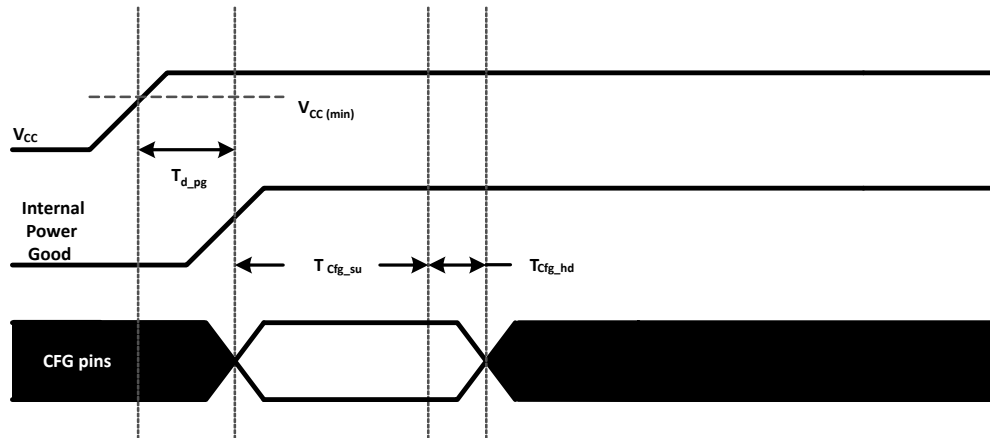


図 7-1. Power-Up Timing

表 7-4. Power-Up Timing (1) (2)

PARAMETER		MIN	MAX	UNIT
t_{d_pg}	V_{CC} (minimum) to Internal Power Good asserted high		500	μ s
t_{cfg_su}	CFG ⁽¹⁾ pins setup ⁽²⁾	50		μ s
t_{cfg_hd}	CFG ⁽¹⁾ pins hold	10		μ s
t_{VCC_RAMP}	V_{CC} supply ramp requirement (10% to 90%)	0.1	50	ms

(1) Following pins comprise CFG pins: I2C_EN, EQ[1:0], and SSEQ[1:0].

(2) Recommend CFG pins are stable when V_{CC} is at minimum value.

7.5 Programming

For further programmability, the TUSB521-Q1 can be controlled using I²C. The SCL and SDA pins are used for I²C clock and I²C data respectively.

表 7-5. TUSB521-Q1 I²C Target Address

A1 PIN LEVEL	SSEQ0/A0 PIN LEVEL	BIT 7 (MSB)	BIT 6	BIT 5	BIT 4	BIT 3	BIT 2	BIT 1	BIT 0 (W/R)
0	0	1	0	0	0	1	0	0	0/1
0	R	1	0	0	0	1	0	1	0/1
0	F	1	0	0	0	1	1	0	0/1
0	1	1	0	0	0	1	1	1	0/1
R	0	0	1	0	0	0	0	0	0/1
R	R	0	1	0	0	0	0	1	0/1
R	F	0	1	0	0	0	1	0	0/1
R	1	0	1	0	0	0	1	1	0/1
F	0	0	0	1	0	0	0	0	0/1
F	R	0	0	1	0	0	0	1	0/1
F	F	0	0	1	0	0	1	0	0/1
F	1	0	0	1	0	0	1	1	0/1
1	0	0	0	0	1	1	0	0	0/1
1	R	0	0	0	1	1	0	1	0/1
1	F	0	0	0	1	1	1	0	0/1
1	1	0	0	0	1	1	1	1	0/1

7.5.1 TUSB521-Q1 I²C Target Behavior

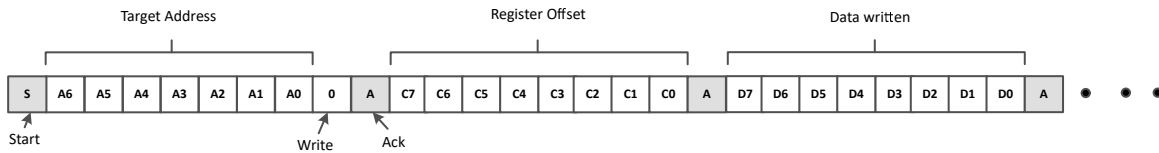


Figure 7-2. I²C Write with Data

Use the following procedure to write data to TUSB521-Q1 I²C registers (refer to [Figure 7-2](#)):

1. The controller initiates a write operation by generating a start condition (S), followed by the TUSB521-Q1 7-bit address and a zero-value W/R bit to indicate a write cycle.
2. The TUSB521-Q1 acknowledges the address cycle.
3. The controller presents the register offset within TUSB521-Q1 to be written, consisting of one byte of data, MSB-first.
4. The TUSB521-Q1 acknowledges the sub-address cycle.
5. The controller presents the first byte of data to be written to the I²C register.
6. The TUSB521-Q1 acknowledges the byte transfer.
7. The controller can continue presenting additional bytes of data to be written, with each byte transfer completing with an acknowledge from the TUSB521-Q1.
8. The controller terminates the write operation by generating a stop condition (P).

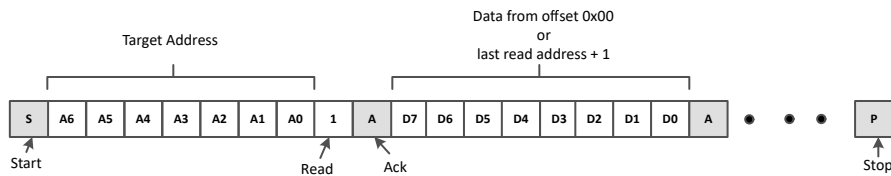


Figure 7-3. I²C Read Without Repeated Start

Use the following procedure to read the TUSB521-Q1 I²C registers without a repeated Start (refer to [Figure 7-3](#)):

1. The controller initiates a read operation by generating a start condition (S), followed by the TUSB521-Q1 7-bit address and a zero-value W/R bit to indicate a read cycle.
2. The TUSB521-Q1 acknowledges the 7-bit address cycle.
3. Following the acknowledge the controller continues sending clock.
4. The TUSB521-Q1 transmits the contents of the memory registers MSB-first starting at register 00h or last read register offset+1. If a write to the I²C register occurred prior to the read, then the TUSB521-Q1 shall start at the register offset specified in the write.
5. The TUSB521-Q1 waits for either an acknowledge (ACK) or a not-acknowledge (NACK) from the controller after each byte transfer; the I²C controller acknowledges reception of each data byte transfer.
6. If an ACK is received, the TUSB521-Q1 transmits the next byte of data as long as controller provides the clock. If a NAK is received, the TUSB521-Q1 stops providing data and waits for a stop condition (P).
7. The controller terminates the write operation by generating a stop condition (P).

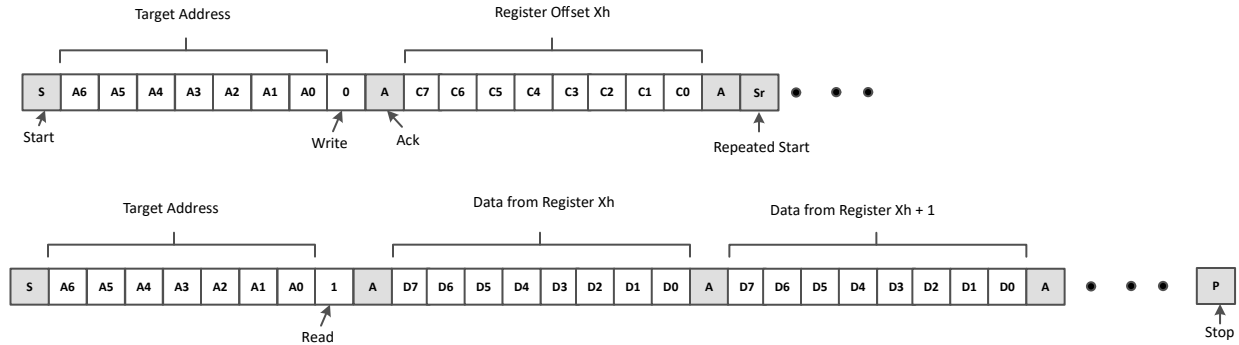


図 7-4. I²C Read with Repeated Start

Use the following procedure to read the TUSB521-Q1 I²C registers with a repeated Start (refer [図 7-4](#)).

1. The controller initiates a read operation by generating a start condition (S), followed by the TUSB521-Q1 7-bit address and a zero-value W/R bit to indicate a write cycle.
2. The TUSB521-Q1 acknowledges the 7-bit address cycle.
3. The controller presents the register offset within TUSB521-Q1 to be written, consisting of one byte of data, MSB-first.
4. The TUSB521-Q1 acknowledges the register offset cycle.
5. The controller presents a repeated start condition (Sr).
6. The controller initiates a read operation by generating a start condition (S), followed by the TUSB521-Q1 7-bit address and a one-value W/R bit to indicate a read cycle.
7. The TUSB521-Q1 acknowledges the 7-bit address cycle.
8. The TUSB521-Q1 transmits the contents of the memory registers MSB-first starting at the register offset.
9. The TUSB521-Q1 shall wait for either an acknowledge (ACK) or a not-acknowledge (NACK) from the controller after each byte transfer; the I²C controller acknowledges reception of each data byte transfer.
10. If an ACK is received, the TUSB521-Q1 transmits the next byte of data as long as controller provides the clock. If a NAK is received, the TUSB521-Q1 stops providing data and waits for a stop condition (P).
11. The controller terminates the read operation by generating a stop condition (P).

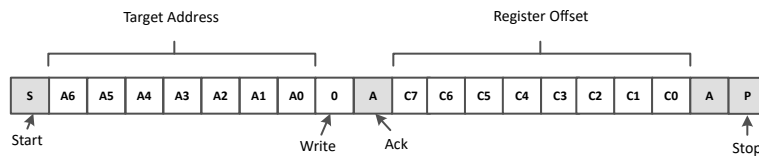


図 7-5. I²C Write Without Data

Use the following procedure to set a starting sub-address for I²C reads (refer to [図 7-5](#)).

1. The controller initiates a write operation by generating a start condition (S), followed by the TUSB521-Q1 7-bit address and a zero-value W/R bit to indicate a write cycle.
2. The TUSB521-Q1 acknowledges the address cycle.
3. The controller presents the register offset within TUSB521-Q1 to be written, consisting of one byte of data, MSB-first.
4. The TUSB521-Q1 acknowledges the register offset cycle.
5. The controller terminates the write operation by generating a stop condition (P).

注

After initial power up, if no register offset is included for the read procedure (refer to [図 7-3](#)), then reads start at register offset 00h and continue byte by byte through the registers until the I²C controller terminates the read operation. During a read operation, the TUSB521-Q1 auto-increments the I²C internal register address of the last byte transferred independent of whether or not an ACK was received from the I²C controller.

Software must only access (read or write) addresses detailed in this document. Accessing reserved or undocumented addresses can result in TUSB521-Q1 entering an undefined state.

8 Application and Implementation

注

Information in the following applications sections is not part of the TI component specification, and TI does not warrant its accuracy or completeness. TI's customers are responsible for determining suitability of components for their purposes, as well as validating and testing their design implementation to confirm system functionality.

8.1 Application Information

The TUSB521-Q1 is a linear redriver designed specifically to compensate for intersymbol interference (ISI) jitter causes by signal attenuation through a passive medium like PCB traces or cables. Placing the TUSB521-Q1 between the USB connector and a USB 3.2 host, hub, and device can correct signal integrity issues resulting in a more robust system.

8.2 Typical Application

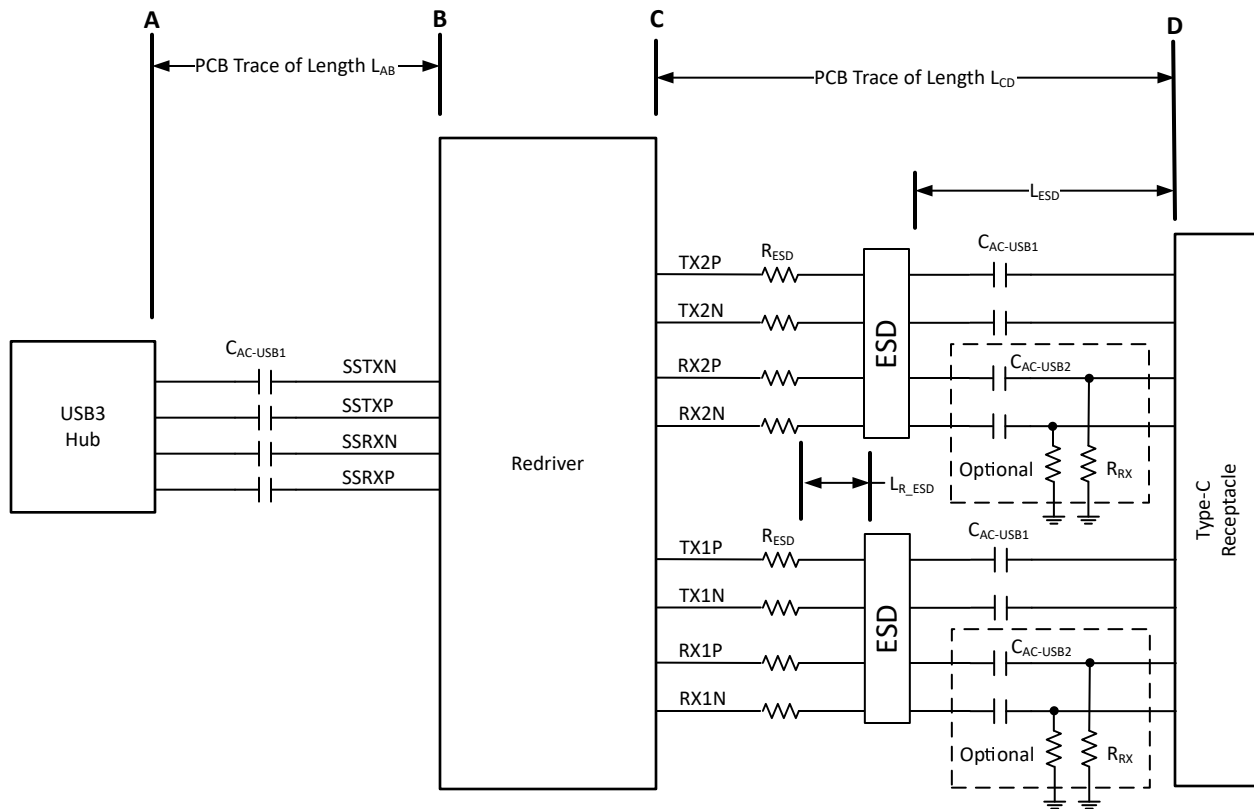


図 8-1. TUSB521-Q1 in a Host Application

8.2.1 Design Requirements

For this design example, use the parameters shown in 表 8-1.

表 8-1. Design Parameters

PARAMETER ⁽¹⁾	VALUE
Pre-channel A to B PCB trace length, L_{AB} . Refer to 図 8-1.	1 inches $\leq L_{AB} \leq$ 11 inches – L_{CD}
Post-channel C to D PCB trace length, L_{CD} . Refer to 図 8-1.	up to 4 inches
Maximum distance of ESD component from the USB receptacle, L_{ESD}	1.0 inches
Maximum distance of series resistor (R_{ESD}) from ESD component, L_{R_ESD} .	0.25 inches
$C_{AC-USB1}$ AC-coupling capacitor (75nF to 265nF)	220nF
$C_{AC-USB2}$ AC-coupling capacitor (297nF to 363nF)	<ul style="list-style-type: none"> Options: • RX1 and RX2 are DC-coupled to USB receptacle • 330nF AC-couple with R_{RX} resistor
Optional R_{RX} resistor (220k Ω \pm 5%)	Not used
Optional R_{ESD} (0 Ω to 2.2 Ω)	0 Ω
V_{CC} supply (3V to 3.6V)	3.3V
I ² C Mode or Pin-strap Mode	I ² C Mode. (MODE = "F")
1.8V or 3.3V I ² C Interface	3.3V I ² C. VIO_SEL pin to Float "F".

(1) Maximum trace length assumes an insertion loss of 0.2dB/inch/GHz. If insertion loss is more than 0.2dB/inch/GHz, then maximum trace length must be reduced accordingly.

8.2.2 Detailed Design Procedure

図 8-2 shows a typical usage of the TUSB521-Q1 device. The device can be controlled either through the GPIO pins or the I²C interface. In the example shown below, a Type-C PD controller is used to configure the device through the I²C interface. In I²C mode, the equalization settings for each receiver can be independently controlled through I²C registers. For this reason, all of the equalization pins (EQ[1:0], SSEQ[1:0]) can be left unconnected. If these pins are left unconnected, the TUSB521-Q1 7-bit I²C target address is 0x12 because both A1 and SSEQ0/A0 are at pin level "F". If a different I²C target address is desired, set the A1 and SSEQ0/A0 pins to a level which produces the desired I²C target address.

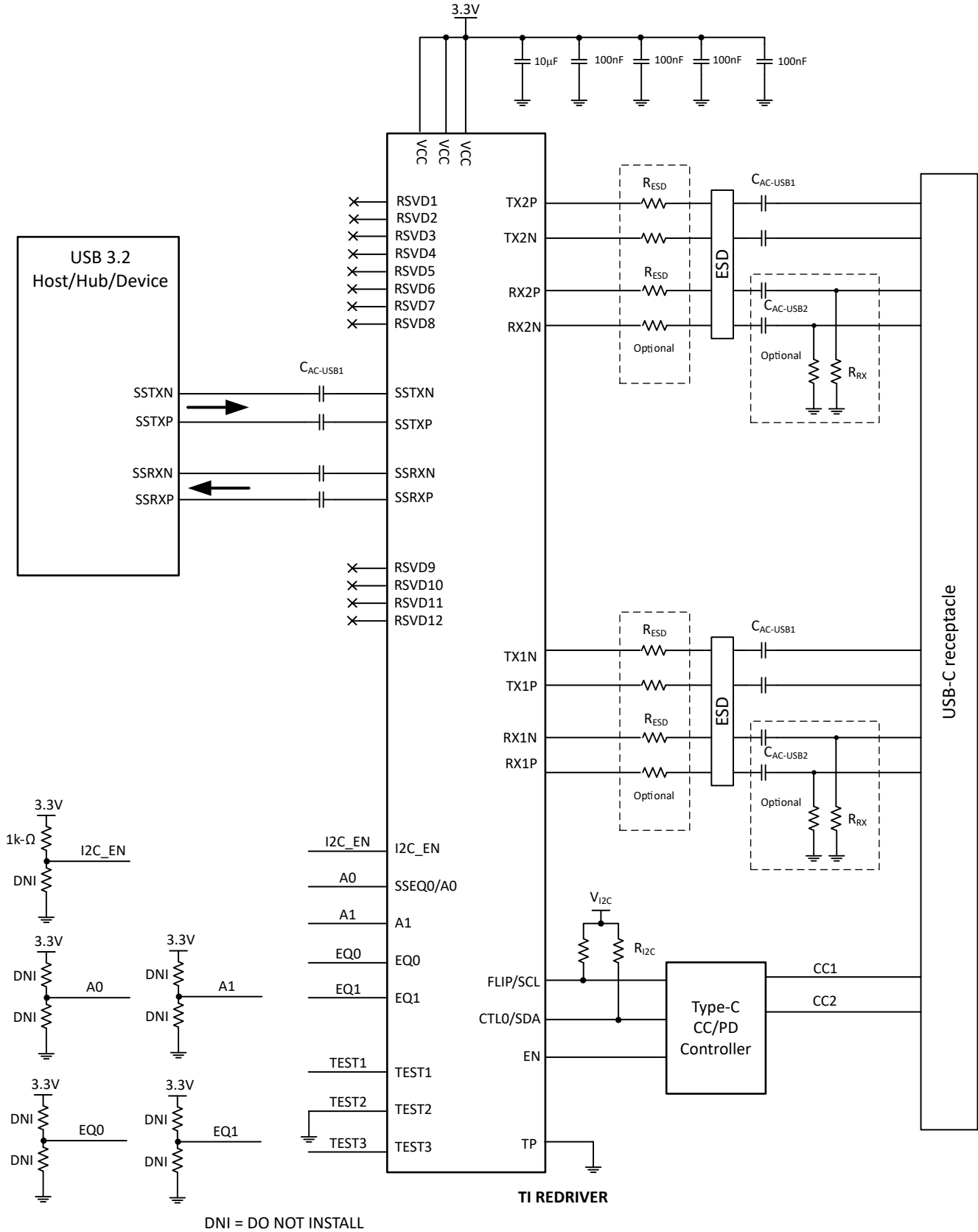


図 8-2. Application Circuit

8.2.2.1 USB SSTX1/2 Receiver Configuration

Configuring the TUSB521-Q1 involves understanding the insertion loss (SDD21) of the pre-channel (L_{AB}). Set the SSEQ[1:0] pins of the device when in pin-strap mode, or the SSEQ2_SEL and SSEQ1_SEL registers when in I²C mode, to the level of the pre-channel insertion loss at 5GHz. A good rule for FR4 trace insertion loss at 5GHz is approximately equal to -1dB per inch. Using this rule, program the TUSB521-Q1 SSEQ to -8dB if the pre-channel for the USB (X_{AB}) is 8 inches.

8.2.2.2 USB RX1/2 Receiver Configuration

TI recommends to set TUSB521-Q1 EQ[1:0] pins if pin-strap mode, or EQ1_SEL and EQ2_SEL if I²C mode to about 4db to 5dB greater than loss of the post channel (L_{CD}). For example, if post channel is 0.5 inches, then assuming -1dB per inch at 5GHz, program the EQ1_SEL and EQ2_SEL between 4.5dB and 5.5dB. TI recommends to perform USB 3.2 Rx JTOL long and short channel tests to optimize the setting.

8.2.2.3 ESD Protection

It may be necessary to incorporate an ESD component to protect the TUSB521-Q1 from electrostatic discharge (ESD). TI recommends following the ESD protection recommendations listed in 表 8-2. A clamp voltage greater than value specified in 表 8-2 may require a R_{ESD} on each differential pin. Place the ESD component near the USB connector.

表 8-2. ESD Diodes Recommended Characteristics

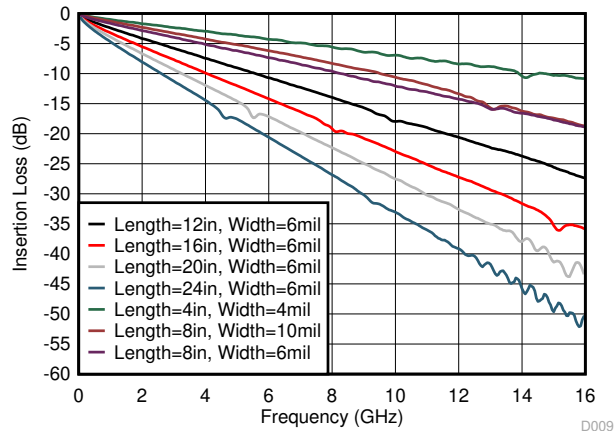
PARAMETER	RECOMMENDATION
Breakdown voltage	$\geq 3.5\text{V}$
I/O line capacitance	Data rates $\leq 5\text{Gbps}$: $\leq 0.50\text{pF}$
	Data rates $> 5\text{Gbps}$: $\leq 0.35\text{pF}$
Delta capacitance between any P and N I/O pins	$\leq 0.07\text{pF}$
Clamping voltage at 8A I_{PP} IO to GND ⁽¹⁾	$\leq 4.5\text{V}$
Typical dynamic resistance	$\leq 30\text{m}\Omega$

(1) According to IEC 61000-4-5 (8/20 μs current waveform)

表 8-3. Recommended ESD Protection Component

MANUFACTURER	PART NUMBER	R_{ESD} TO SUPPORT IEC 61000-4-2 CONTACT $\pm 8\text{kV}$
Nexperia	PUSB3FR4	1 Ω
Nexperia	PESD2V8Y1BSF	1 Ω
Texas Instruments	TPD1E04U04DPLR	2 Ω
Texas Instruments	TPD4E02B04DQAR	2 Ω

8.2.3 Application Curve



8-3. Insertion Loss of FR4 PCB Traces

8.3 Power Supply Recommendations

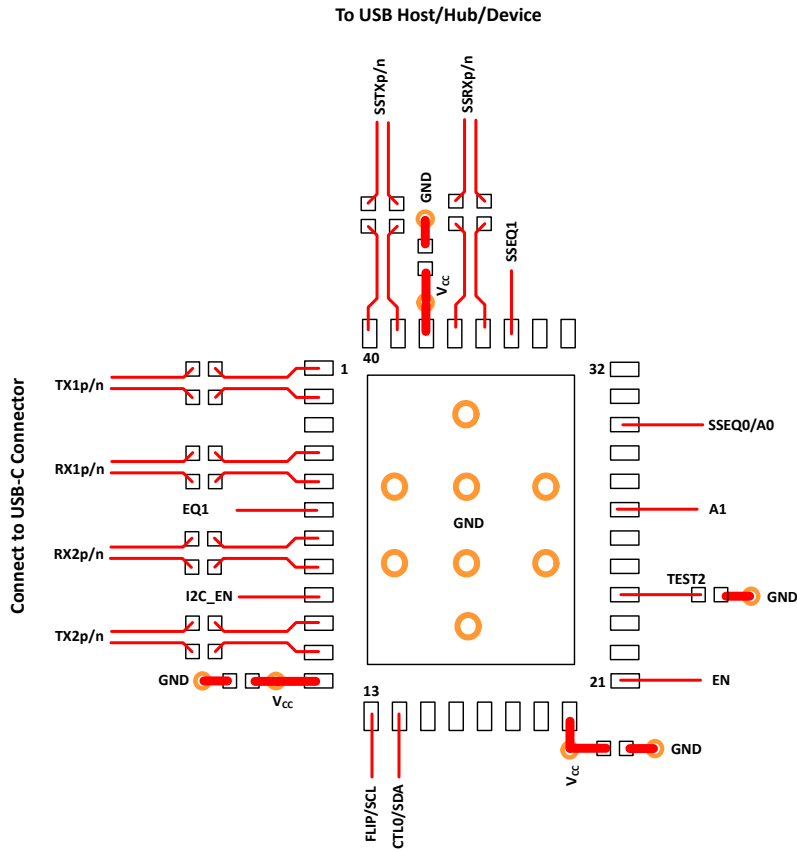
The TUSB521-Q1 is designed to operate with a 3.3V power supply. Do not use levels above those listed in *Recommended Operating Conditions*. If using a higher voltage system power supply, a voltage regulator can be used to step down to 3.3V. Use decoupling capacitors to reduce noise and improve power supply integrity. Use a 0.1 μ F capacitor on each power pin.

8.4 Layout

8.4.1 Layout Guidelines

1. Reroute the RXP/N and TXP/N with controlled 90 Ω differential impedance ($\pm 15\%$).
2. Keep away from other high speed signals.
3. Keep the intra-pair routing to within 2 mils.
4. Place length matching near the location of mismatch.
5. Separate each pair by at least 3 times the signal trace width.
6. Keep the use of bends in differential traces to a minimum. When bends are used, make sure to keep the number of left and right bends as equal as possible and the angle of the bend ≥ 135 degrees. This minimizes any length mismatch causes by the bends and therefore minimizes the impact bends have on EMI.
7. Route all differential pairs on the same of layer.
8. Keep the number of vias to a minimum. TI recommends to keep the via count to 2 or less.
9. Keep traces on layers adjacent to ground plane.
10. Do NOT route differential pairs over any plane split.
11. Note that adding test points can cause impedance discontinuity, and therefore negatively impact signal performance. If test points are used, place the points in series and symmetrically. The points must not be placed in a manner that causes a stub on the differential pair.

8.4.2 Layout Example



8-4. Layout Example

9 Register Maps

表 9-1. Register Legend

ACCESS TAG	NAME	MEANING
R	Read	The field may be read by software
W	Write	The field may be written by software
S	Set	The field may be set by a write of one. Writes of zeros to the field have no effect.
C	Clear	The field may be cleared by a write of one. Write of zero to the field have no effect.
U	Update	Hardware may autonomously update this field.
NA	No Access	Not accessible or not applicable

9.1 General Register (address = 0x0A) [reset = 00000001]

図 9-1. General Registers

7	6	5	4	3	2	1	0
Reserved		Reserved	EQ_OVERRIDE	Reserved	FLIP_SEL	Reserved	CTLSEL
R		R	R/W	R/W		R/W	

LEGEND: R/W = Read/Write; R = Read only; -n = value after reset

表 9-2. General Registers

Bit	Field	Type	Reset	Description
7:5	Reserved.	R	00	Reserved.
4	EQ_OVERRIDE	R/W	0	Setting this field allows software to use EQ settings from registers instead of value sample from pins. 0: EQ settings based on sampled state of the EQ pins (SSEQ[1:0], EQ[1:0]). 1: EQ settings based on programmed value of each of the EQ registers
3	Reserved	R/W	0	Reserved
2	FLIP_SEL	R/W	0	FLIP_SEL. 0: Normal orientation 1: Flip orientation
1	Reserved	R/W	0	Reserved
0	CTLSEL	R/W	1	0: Disabled. All RX and TX are disabled. 1: USB3.1 enabled. (Default)

9.2 USB3.2 Control/Status Registers (address = 0x20) [reset = 00000000]

図 9-2. USB3.2 Control/Status Registers (0x20)

7	6	5	4	3	2	1	0
EQ2_SEL				EQ1_SEL			
R/W/U				R/W/U			

LEGEND: R/W = Read/Write; R = Read only; -n = value after reset

表 9-3. USB3.2 Control/Status Registers (0x20)

Bit	Field	Type	Reset	Description
7:4	EQ2_SEL	R/W/U	0000	Field selects EQ level for USB3.2 RX2 receiver. When EQ_OVERRIDE = 1'b0, this field reflects the sampled state of EQ[1:0] pins. When EQ_OVERRIDE = 1'b1, software can change the EQ setting for USB3.2 RX2 receiver based on value written to this field.

表 9-3. USB3.2 Control/Status Registers (0x20) (続き)

Bit	Field	Type	Reset	Description
3:0	EQ1_SEL	R/W/U	0000	Field selects EQ level for USB3.2 RX1 receiver. When EQ_OVERRIDE = 1'b0, this field reflects the sampled state of EQ[1:0] pins. When EQ_OVERRIDE = 1'b1, software can change the EQ setting for USB3.2 RX1 receiver based on value written to this field.

9.3 USB3.2 Control/Status Registers (address = 0x21) [reset = 00000000]

図 9-3. USB3.2 Control/Status Registers (0x21)

7	6	5	4	3	2	1	0
Reserved				SSEQ_SEL			
R				R/W/U			

LEGEND: R/W = Read/Write; R = Read only; -n = value after reset

表 9-4. USB3.2 Control/Status Registers (0x21)

Bit	Field	Type	Reset	Description
7:4	Reserved	R	0000	Reserved
3:0	SSEQ_SEL	R/W/U	0000	Field selects EQ for USB3.1 SSTXP/N receiver. When EQ_OVERRIDE = 1'b0, this field reflects the sampled state of SSEQ[1:0] pins. When EQ_OVERRIDE = 1'b1, software can change the EQ setting for USB3.2 SSTXP/N receiver based on value written to this field.

9.4 USB3.2 Control/Status Registers (address = 0x22) [reset = 00000000]

図 9-4. USB3.2 Control/Status Registers (0x22)

7	6	5	4	3	2	1	0
CM_ACTIVE	LFPS_EQ	U2U3_LFPS_D EBOUNCE	DISABLE_U2U 3_RXDET	DFP_RXDET_INTERVAL	USB3_COMPLIANCE_CTRL		
R/U	R/W	R/W	R/W	R/W	R/W		

LEGEND: R/W = Read/Write; R = Read only; -n = value after reset

表 9-5. USB3.2 Control/Status Registers (0x22)

Bit	Field	Type	Reset	Description
7	CM_ACTIVE	R/U	0	0: Device not in USB 3.2 compliance mode. (Default) 1: Device in USB 3.2 compliance mode
6	LFPS_EQ	R/W	0	Controls whether settings of EQ based on EQ1_SEL, EQ2_SEL and SSEQ_SEL applies to received LFPS signal. 0: EQ set to zero when receiving LFPS (default) 1: EQ set to EQ1_SEL, EQ2_SEL, and SSEQ_SEL when receiving LFPS.
5	U2U3_LFPS_DEBOUNCE	R/W	0	0: No debounce of LFPS before U2/U3 exit. (Default) 1: 200µs debounce of LFPS before U2/U3 exit.
4	DISABLE_U2U3_RXDET	R/W	0	0: Rx.Detect in U2/U3 enabled. (Default) 1: Rx.Detect in U2/U3 disabled.
3:2	DFP_RXDET_INTERVAL	R/W	00	This field controls the Rx.Detect interval for the Downstream facing port (TX1P/N and TX2P/N). 00: 8ms 01: 12ms (default) 10: Reserved 11: Reserved

表 9-5. USB3.2 Control/Status Registers (0x22) (続き)

Bit	Field	Type	Reset	Description
1:0	USB3_COMPLIANCE_CTRL	R/W	00	00: FSM determined compliance mode. (Default) 01: Compliance Mode enabled in DFP direction (SSTX -> TX1/ TX2) 10: Compliance Mode enabled in UFP direction (RX1/RX2 -> SSRX) 11: Compliance Mode Disabled.

10 Device and Documentation Support

10.1 ドキュメントの更新通知を受け取る方法

ドキュメントの更新についての通知を受け取るには、www.tij.co.jp のデバイス製品フォルダを開いてください。[通知] をクリックして登録すると、変更されたすべての製品情報に関するダイジェストを毎週受け取ることができます。変更の詳細については、改訂されたドキュメントに含まれている改訂履歴をご覧ください。

10.2 サポート・リソース

[テキサス・インスツルメンツ E2E™ サポート・フォーラム](#)は、エンジニアが検証済みの回答と設計に関するヒントをエキスパートから迅速かつ直接得ることができる場所です。既存の回答を検索したり、独自の質問をしたりすることで、設計に必要な支援を迅速に得ることができます。

リンクされているコンテンツは、各寄稿者により「現状のまま」提供されるものです。これらはテキサス・インスツルメンツの仕様を構成するものではなく、必ずしもテキサス・インスツルメンツの見解を反映したものではありません。テキサス・インスツルメンツの[使用条件](#)を参照してください。

10.3 Trademarks

テキサス・インスツルメンツ E2E™ is a trademark of Texas Instruments.
USB Type-C® and USB-C® are registered trademarks of USB Implementers Forum.
すべての商標は、それぞれの所有者に帰属します。

10.4 静電気放電に関する注意事項



この IC は、ESD によって破損する可能性があります。テキサス・インスツルメンツは、IC を取り扱う際には常に適切な注意を払うことを推奨します。正しい取り扱いおよび設置手順に従わない場合、デバイスを破損するおそれがあります。

ESD による破損は、わずかな性能低下からデバイスの完全な故障まで多岐にわたります。精密な IC の場合、パラメータがわずかに変化するだけで公表されている仕様から外れる可能性があるため、破損が発生しやすくなっています。

10.5 用語集

[テキサス・インスツルメンツ用語集](#) この用語集には、用語や略語の一覧および定義が記載されています。

11 Revision History

Changes from Revision * (May 2024) to Revision A (September 2024)	Page
• データシートステータスを「事前情報」から「量産データ」に変更.....	1

12 Mechanical, Packaging, and Orderable Information

The following pages include mechanical, packaging, and orderable information. This information is the most current data available for the designated devices. This data is subject to change without notice and revision of this document. For browser-based versions of this data sheet, refer to the left-hand navigation.

重要なお知らせと免責事項

テキサス・インスツルメンツは、技術データと信頼性データ (データシートを含みます)、設計リソース (リファレンス デザインを含みます)、アプリケーションや設計に関する各種アドバイス、Web ツール、安全性情報、その他のリソースを、欠陥が存在する可能性のある「現状のまま」提供しており、商品性および特定目的に対する適合性の黙示保証、第三者の知的財産権の非侵害保証を含むいかなる保証も、明示的または黙示的にかかわらず拒否します。

これらのリソースは、テキサス・インスツルメンツ製品を使用する設計の経験を積んだ開発者への提供を意図したものです。(1) お客様のアプリケーションに適した テキサス・インスツルメンツ製品の選定、(2) お客様のアプリケーションの設計、検証、試験、(3) お客様のアプリケーションに該当する各種規格や、その他のあらゆる安全性、セキュリティ、規制、または他の要件への確実な適合に関する責任を、お客様のみが単独で負うものとします。

上記の各種リソースは、予告なく変更される可能性があります。これらのリソースは、リソースで説明されている テキサス・インスツルメンツ製品を使用するアプリケーションの開発の目的でのみ、テキサス・インスツルメンツはその使用をお客様に許諾します。これらのリソースに関して、他の目的で複製することや掲載することは禁止されています。テキサス・インスツルメンツや第三者の知的財産権のライセンスが付与されている訳ではありません。お客様は、これらのリソースを自身で使用した結果発生するあらゆる申し立て、損害、費用、損失、責任について、テキサス・インスツルメンツおよびその代理人を完全に補償するものとし、テキサス・インスツルメンツは一切の責任を拒否します。

テキサス・インスツルメンツの製品は、[テキサス・インスツルメンツの販売条件](#)、または [ti.com](https://www.ti.com) やかかる テキサス・インスツルメンツ製品の関連資料などのいずれかを通じて提供する適用可能な条項の下で提供されています。テキサス・インスツルメンツがこれらのリソースを提供することは、適用されるテキサス・インスツルメンツの保証または他の保証の放棄の拡大や変更を意味するものではありません。

お客様がいかなる追加条項または代替条項を提案した場合でも、テキサス・インスツルメンツはそれらに異議を唱え、拒否します。

郵送先住所: Texas Instruments, Post Office Box 655303, Dallas, Texas 75265

Copyright © 2024, Texas Instruments Incorporated

PACKAGING INFORMATION

Orderable Device	Status (1)	Package Type	Package Drawing	Pins	Package Qty	Eco Plan (2)	Lead finish/ Ball material (6)	MSL Peak Temp (3)	Op Temp (°C)	Device Marking (4/5)	Samples
TUSB521RGFRQ1	ACTIVE	VQFN	RGF	40	3000	RoHS & Green	NIPDAU	Level-2-260C-1 YEAR	-40 to 105	TSB6421	Samples
TUSB521RGFTQ1	ACTIVE	VQFN	RGF	40	250	RoHS & Green	NIPDAU	Level-2-260C-1 YEAR	-40 to 105	TSB6421	Samples

(1) The marketing status values are defined as follows:

ACTIVE: Product device recommended for new designs.

LIFEBUY: TI has announced that the device will be discontinued, and a lifetime-buy period is in effect.

NRND: Not recommended for new designs. Device is in production to support existing customers, but TI does not recommend using this part in a new design.

PREVIEW: Device has been announced but is not in production. Samples may or may not be available.

OBSOLETE: TI has discontinued the production of the device.

(2) **RoHS:** TI defines "RoHS" to mean semiconductor products that are compliant with the current EU RoHS requirements for all 10 RoHS substances, including the requirement that RoHS substance do not exceed 0.1% by weight in homogeneous materials. Where designed to be soldered at high temperatures, "RoHS" products are suitable for use in specified lead-free processes. TI may reference these types of products as "Pb-Free".

RoHS Exempt: TI defines "RoHS Exempt" to mean products that contain lead but are compliant with EU RoHS pursuant to a specific EU RoHS exemption.

Green: TI defines "Green" to mean the content of Chlorine (Cl) and Bromine (Br) based flame retardants meet JS709B low halogen requirements of <=1000ppm threshold. Antimony trioxide based flame retardants must also meet the <=1000ppm threshold requirement.

(3) MSL, Peak Temp. - The Moisture Sensitivity Level rating according to the JEDEC industry standard classifications, and peak solder temperature.

(4) There may be additional marking, which relates to the logo, the lot trace code information, or the environmental category on the device.

(5) Multiple Device Markings will be inside parentheses. Only one Device Marking contained in parentheses and separated by a "~" will appear on a device. If a line is indented then it is a continuation of the previous line and the two combined represent the entire Device Marking for that device.

(6) Lead finish/Ball material - Orderable Devices may have multiple material finish options. Finish options are separated by a vertical ruled line. Lead finish/Ball material values may wrap to two lines if the finish value exceeds the maximum column width.

Important Information and Disclaimer:The information provided on this page represents TI's knowledge and belief as of the date that it is provided. TI bases its knowledge and belief on information provided by third parties, and makes no representation or warranty as to the accuracy of such information. Efforts are underway to better integrate information from third parties. TI has taken and continues to take reasonable steps to provide representative and accurate information but may not have conducted destructive testing or chemical analysis on incoming materials and chemicals. TI and TI suppliers consider certain information to be proprietary, and thus CAS numbers and other limited information may not be available for release.

In no event shall TI's liability arising out of such information exceed the total purchase price of the TI part(s) at issue in this document sold by TI to Customer on an annual basis.

GENERIC PACKAGE VIEW

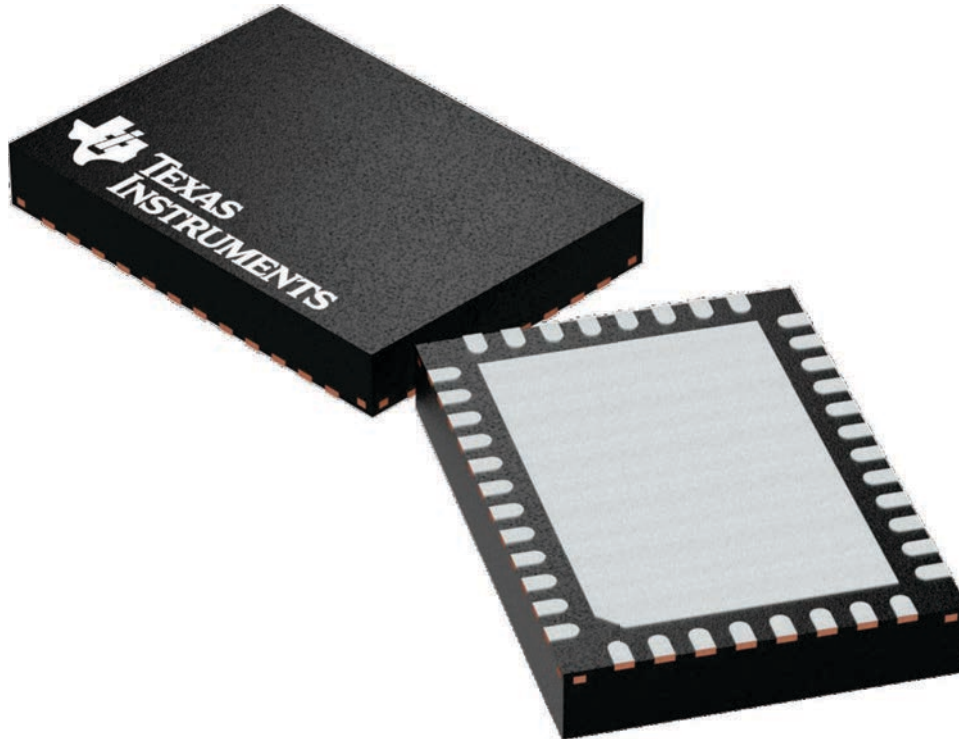
RGF 40

VQFN - 1 mm max height

5 x 7, 0.5 mm pitch

PLASTIC QUAD FLAT PACK- NO LEAD

This image is a representation of the package family, actual package may vary.
Refer to the product data sheet for package details.



4225115/A

重要なお知らせと免責事項

TI は、技術データと信頼性データ(データシートを含みます)、設計リソース(リファレンス・デザインを含みます)、アプリケーションや設計に関する各種アドバイス、Web ツール、安全性情報、その他のリソースを、欠陥が存在する可能性のある「現状のまま」提供しており、商品性および特定目的に対する適合性の黙示保証、第三者の知的財産権の非侵害保証を含むいかなる保証も、明示的または黙示的にかかわらず拒否します。

これらのリソースは、TI 製品を使用する設計の経験を積んだ開発者への提供を意図したものです。(1) お客様のアプリケーションに適した TI 製品の選定、(2) お客様のアプリケーションの設計、検証、試験、(3) お客様のアプリケーションに該当する各種規格や、その他のあらゆる安全性、セキュリティ、規制、または他の要件への確実な適合に関する責任を、お客様のみが単独で負うものとし、

上記の各種リソースは、予告なく変更される可能性があります。これらのリソースは、リソースで説明されている TI 製品を使用するアプリケーションの開発の目的でのみ、TI はその使用をお客様に許諾します。これらのリソースに関して、他の目的で複製することや掲載することは禁止されています。TI や第三者の知的財産権のライセンスが付与されている訳ではありません。お客様は、これらのリソースを自身で使用した結果発生するあらゆる申し立て、損害、費用、損失、責任について、TI およびその代理人を完全に補償するものとし、TI は一切の責任を拒否します。

TI の製品は、[TI の販売条件](#)、または [ti.com](#) やかかる TI 製品の関連資料などのいずれかを通じて提供する適用可能な条項の下で提供されています。TI がこれらのリソースを提供することは、適用される TI の保証または他の保証の放棄の拡大や変更を意味するものではありません。

お客様がいかなる追加条項または代替条項を提案した場合でも、TI はそれらに異議を唱え、拒否します。

郵送先住所 : Texas Instruments, Post Office Box 655303, Dallas, Texas 75265
Copyright © 2024, Texas Instruments Incorporated