

TUSB8042A 4ポート USB 3.2 x1 Gen1 ハブ

1 特長

- 4ポートの USB 3.2 x1 Gen1 (5Gbps) ハブ
- USB 2.0 ハブ機能
 - MTT (Multiple Transaction Translator) ハブ: 4つのトランザクション・トランスレータ
 - トランザクション・トランスレータごとに 2つの非同期エンドポイント・バッファ
- バッテリ充電のサポート
 - 上流ポートの未接続または未構成時に、D+/D- デバイダ充電ポート (ACP1、ACP2、ACP3) をサポート
 - 上流ポートの未接続時に、DCP または ACP モード間の自動移行モードをサポート
 - Galaxy 充電をサポート
 - CDP モード (上流ポート接続時)
 - DCP モード (上流ポート未接続時)
 - DCP モードは中国電気通信業界標準 YD/T 1591-2009 に準拠
- USB 3.2 x1 Gen1 または USB 2.0 複合デバイスとしての動作をサポート
- ポート単位または一括制御のパワー・スイッチングおよび過電流通知入力
- 4つの外部下流ポートをサポート
- I²C の読み出し/書き込みと、100k での EEPROM の読み出しに対するベンダー要求をサポート
- I²C マスタでクロック・ストレッチングをサポート
- OTP ROM、シリアル EEPROM、または I²C/SMBus スレーブ・インターフェイスで次のカスタム構成をサポート
 - VID および PID
 - ポートのカスタマイズ
 - メーカーおよび製品文字列 (OTP ROM は除く)
 - シリアル番号 (OTP ROM は除く)
- ピン選択か、EEPROM または I²C/SMBus スレーブ・インターフェイスを使用したアプリケーション機能の選択
- 128 ビットの UUID (Universally Unique Identifier) を提供
- 単一クロック入力、24MHz の水晶または発振器
- 下流ポートは USB 2.0 の構成のみ
- 64 ピン QFN パッケージ (RGC)

2 アプリケーション

コンピュータ・システム、ドッキング・ステーション、モニタ、セットトップ・ボックス

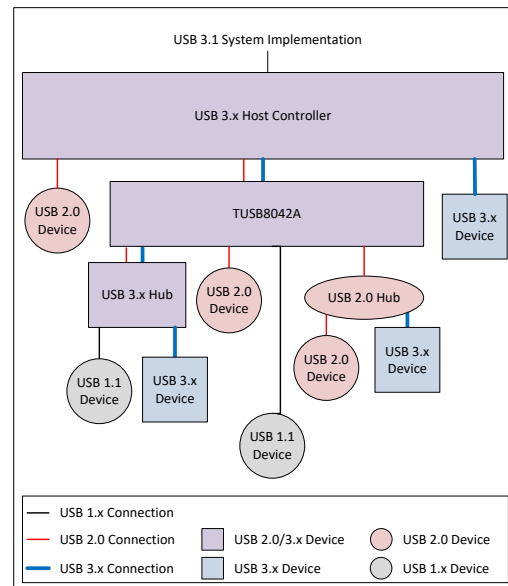
3 概要

TUSB8042A は、4ポートの USB 3.2 x1 Gen1 (5Gbps) ハブです。上流ポートでスーパー・スピードUSBおよびハイ・スピード/フル・スピード接続を同時に提供し、下流ポートでスーパー・スピードUSB、ハイ・スピード、フル・スピード、ロー・スピード接続を提供します。ハイ・スピード、フル・スピード、ロー・スピード接続のみをサポートする電子環境に上流ポートが接続されている場合、スーパー・スピード USB接続は下流ポートで無効化されます。

製品情報⁽¹⁾

| 型番 | パッケージ | 本体サイズ(公称) |
|------------|-----------|---------------|
| TUSB8042A | VQFN (64) | 9.00mm×9.00mm |
| TUSB8042AI | VQFN (64) | 9.00mm×9.00mm |

(1) 利用可能なすべてのパッケージについては、このデータシートの末尾にある注文情報を参照してください。



目次

| | | | | | |
|----------|--|-----------|-----------|---|-----------|
| 1 | 特長 | 1 | 8.5 | Register Maps | 24 |
| 2 | アプリケーション | 1 | 9 | Application and Implementation | 39 |
| 3 | 概要 | 1 | 9.1 | Application Information | 39 |
| 4 | 改訂履歴 | 2 | 9.2 | Typical Application | 39 |
| 5 | 概要 (続き) | 3 | 10 | Power Supply Recommendations | 48 |
| 6 | Pin Configuration and Functions | 4 | 10.1 | TUSB8042A Power Supply | 48 |
| 7 | Specifications | 9 | 10.2 | Downstream Port Power | 48 |
| 7.1 | Absolute Maximum Ratings | 9 | 10.3 | Ground | 48 |
| 7.2 | ESD Ratings | 9 | 11 | Layout | 49 |
| 7.3 | Recommended Operating Conditions | 9 | 11.1 | Layout Guidelines | 49 |
| 7.4 | Thermal Information | 9 | 11.2 | Layout Examples | 50 |
| 7.5 | Electrical Characteristics | 10 | 12 | デバイスおよびドキュメントのサポート | 52 |
| 7.6 | Timing Requirements | 12 | 12.1 | ドキュメントの更新通知を受け取る方法 | 52 |
| 8 | Detailed Description | 14 | 12.2 | コミュニティ・リソース | 52 |
| 8.1 | Overview | 14 | 12.3 | 商標 | 52 |
| 8.2 | Functional Block Diagram | 14 | 12.4 | 静電気放電に関する注意事項 | 52 |
| 8.3 | Feature Description | 15 | 12.5 | Glossary | 52 |
| 8.4 | Device Functional Modes | 21 | 13 | メカニカル、パッケージ、および注文情報 | 52 |

4 改訂履歴

資料番号末尾の英字は改訂を表しています。その改訂履歴は英語版に準じています。

| 日付 | リビジョン | 注 |
|---------|-------|----|
| 2019年6月 | * | 初版 |

5 概要 (続き)

フル・スピード、ロー・スピード接続のみをサポートする電子環境に上流ポートが接続されている場合、スーパー・スピード USBおよびハイ・スピード接続は下流ポートで無効化されます。

TUSB8042Aは、ポート別または一括制御のパワー・スイッチングと過電流保護を提供し、バッテリー充電アプリケーションをサポートします。

ポート別電力制御のハブでは、USBホストからの要求に応じて各下流ポートへの電力がオン/オフされます。また、過電流を検出した場合には、影響を受ける下流ポートへの電力だけがオフになります。

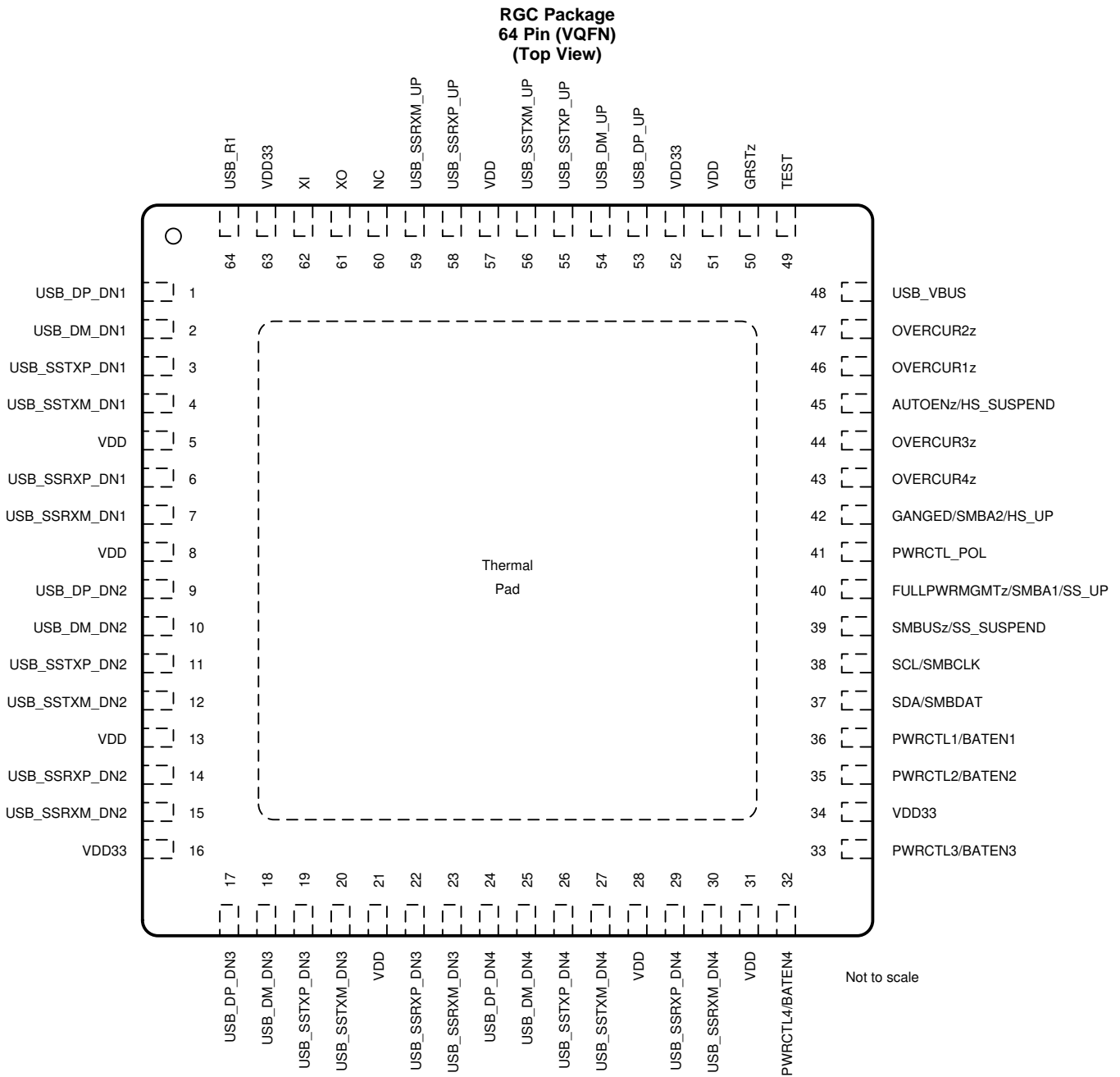
一括制御のハブでは、いずれかのポートで電力が必要になると、すべての下流ポートへの給電をオンにします。下流ポートへの給電は、すべてのポートが給電を停止できる状態にならない限り、オフになりません。また、一括制御のハブが過電流イベントを検出すると、すべての下流ポートへの給電がオフになります。

TUSB8042Aの下流ポートは、Battery Charging Downstream Port (CDP)ハンドシェイクに対応することで、バッテリー充電アプリケーションをサポートを提供します。また、上流ポートの未接続時にDedicated Charging Port (DCP)をサポートします。DCPモードは、USBバッテリー充電、Galaxy充電、中国電気通信業界標準YD/T 1591-2009をサポートするUSBデバイスに対応します。上流ポートの未接続時、TUSB8042A はさらに、デバイダ充電ポート・モード (ACPx モード) と、ACP3 から DCP までの全モード間の自動移行をサポートします。

TUSB8042Aは、バッテリー充電サポートなどの機能のためにピン・ストラップ構成を提供しており、OTP ROM、I²C EEPROM、またはI²C/SMBusスレーブ・インターフェイスを介した、PID、VID、カスタム・ポート、PHY構成のカスタマイズをサポートしています。また、I²C EEPROMまたはI²C/SMBusスレーブ・インターフェイスを使用する場合、カスタム文字列をサポートします。

このデバイスは 64 ピンの RGC パッケージで供給されます。0°C~70°C の温度範囲で動作する民生用バージョン (TUSB8042A) と、-40°C~85°C の温度範囲で動作する産業用バージョン (TUSB8042AI) を提供しています。

6 Pin Configuration and Functions



Pin Functions

| PIN | | I/O | DESCRIPTION |
|--------------------------------|-----|-------|---|
| NAME | NO. | | |
| Clock and Reset Signals | | | |
| GRSTz | 50 | I, PU | Global power reset. This reset brings all of the TUSB8042A internal registers to their default states. When GRSTz is asserted, the device is completely nonfunctional. |
| XI | 62 | I | Crystal input. This pin is the crystal input for the internal oscillator. The input may alternately be driven by the output of an external oscillator. When using a crystal a 1-MΩ feedback resistor is required between XI and XO. |

Pin Functions (continued)

| PIN | | I/O | DESCRIPTION |
|-------------------------------|-----|---------|---|
| NAME | NO. | | |
| XO | 61 | O | Crystal output. This pin is the crystal output for the internal oscillator. If XI is driven by an external oscillator this pin may be left unconnected. When using a crystal a 1-M Ω feedback resistor is required between XI and XO. |
| USB Upstream Signals | | | |
| USB_SSTXP_UP | 55 | O | USB SuperSpeed transmitter differential pair (positive) |
| USB_SSTXM_UP | 56 | O | USB SuperSpeed transmitter differential pair (negative) |
| USB_SSRXP_UP | 58 | I | USB SuperSpeed receiver differential pair (positive) |
| USB_SSRXM_UP | 59 | I | USB SuperSpeed receiver differential pair (negative) |
| USB_DP_UP | 53 | I/O | USB High-speed differential transceiver (positive) |
| USB_DM_UP | 54 | I/O | USB High-speed differential transceiver (negative) |
| USB_R1 | 64 | I | Precision resistor reference. A 9.53-k Ω \pm 1% resistor should be connected between USB_R1 and GND. |
| USB_VBUS | 48 | I | USB upstream port power monitor. The VBUS detection requires a voltage divider. The signal USB_VBUS must be connected to VBUS through a 90.9-K Ω \pm 1% resistor, and to ground through a 10-k Ω \pm 1% resistor from the signal to ground. |
| USB Downstream Signals | | | |
| USB_SSTXP_DN1 | 3 | O | USB SuperSpeed transmitter differential pair (positive) |
| USB_SSTXM_DN1 | 4 | O | USB SuperSpeed transmitter differential pair (negative) |
| USB_SSRXP_DN1 | 6 | I | USB SuperSpeed receiver differential pair (positive) |
| USB_SSRXM_DN1 | 7 | I | USB SuperSpeed receiver differential pair (negative) |
| USB_DP_DN1 | 1 | I/O | USB High-speed differential transceiver (positive) |
| USB_DM_DN1 | 2 | I/O | USB High-speed differential transceiver (negative) |
| PWRCTL1/BATEN1 | 36 | I/O, PD | <p>USB Port 1 Power On Control for Downstream Power/Battery Charging Enable. The pin is used for control of the downstream power switch for Port 1. This pin be left unconnected if power management is not implemented.</p> <p>In addition, the value of the pin is sampled at the de-assertion of reset to determine the value of the battery charging support for Port 1 as indicated in the Battery Charging Support register:</p> <p>0 = Battery charging not supported 1 = Battery charging supported</p> |
| OVERCUR1z | 46 | I, PU | <p>USB Port 1 Over-Current Detection. This pin is typically connected to the over current output of the downstream port power switch for Port 1.</p> <p>0 = An over current event has occurred 1 = An over current event has not occurred</p> <p>When GANGED power management is enabled, this pin or one of the other OVERCURz pins must be connected to the over current output of the power switch or circuit which detects the over current conditions. For the case when another OVERCURz pin is used, this pin can be left unconnected.</p> |
| USB_SSTXP_DN2 | 11 | O | USB SuperSpeed transmitter differential pair (positive) |
| USB_SSTXM_DN2 | 12 | O | USB SuperSpeed transmitter differential pair (negative) |
| USB_SSRXP_DN2 | 14 | I | USB SuperSpeed receiver differential pair (positive) |
| USB_SSRXM_DN2 | 15 | I | USB SuperSpeed receiver differential pair (negative) |
| USB_DP_DN2 | 9 | I/O | USB High-speed differential transceiver (positive) |
| USB_DM_DN2 | 10 | I/O | USB High-speed differential transceiver (negative) |
| PWRCTL2/BATEN2 | 35 | I/O, PD | <p>USB Port 2 Power On Control for Downstream Power/Battery Charging Enable. The pin is used for control of the downstream power switch for Port 2. This pin be left unconnected if power management is not implemented.</p> <p>In addition, the value of the pin is sampled at the de-assertion of reset to determine the value of the battery charging support for Port 2 as indicated in the Battery Charging Support register:</p> <p>0 = Battery charging not supported 1 = Battery charging supported</p> |

Pin Functions (continued)

| PIN | | I/O | DESCRIPTION |
|--|-----|---------|---|
| NAME | NO. | | |
| OVERCUR2z | 47 | I, PU | <p>USB Port 2 Over-Current Detection. This pin is typically connected to the over current output of the downstream port power switch for Port 2.</p> <p>0 = An over current event has occurred 1 = An over current event has not occurred</p> <p>When GANGED power management is enabled, this pin or one of the other OVERCURz pins must be connected to the over current output of the power switch or circuit which detects the over current conditions. For the case when another OVERCURz pin is used, this pin can be left unconnected.</p> |
| USB_SSTXP_DN3 | 19 | O | USB SuperSpeed transmitter differential pair (positive) |
| USB_SSTXM_DN3 | 20 | O | USB SuperSpeed transmitter differential pair (negative) |
| USB_SSRXP_DN3 | 22 | I | USB SuperSpeed receiver differential pair (positive) |
| USB_SSRXM_DN3 | 23 | I | USB SuperSpeed receiver differential pair (negative) |
| USB_DP_DN3 | 17 | I/O | USB High-speed differential transceiver (positive) |
| USB_DM_DN3 | 18 | I/O | USB High-speed differential transceiver (negative) |
| PWRCTL3/BATEN3 | 33 | I/O, PD | <p>USB Port 3 Power On Control for Downstream Power/Battery Charging Enable. The pin is used for control of the downstream power switch for Port 3. This pin be left unconnected if power management is not implemented.</p> <p>In addition, the value of the pin is sampled at the de-assertion of reset to determine the value of the battery charging support for Port 3 as indicated in the Battery Charging Support register:</p> <p>0 = Battery charging not supported 1 = Battery charging supported</p> |
| OVERCUR3z | 44 | I, PU | <p>USB Port 3 Over-Current Detection. This pin is typically connected to the over current output of the downstream port power switch for Port 3.</p> <p>0 = An over current event has occurred 1 = An over current event has not occurred</p> <p>When GANGED power management is enabled, this pin or one of the other OVERCURz pins must be connected to the over current output of the power switch or circuit which detects the over current conditions. For the case when another OVERCURz pin is used, this pin can be left unconnected.</p> |
| USB_SSTXP_DN4 | 26 | O | USB SuperSpeed transmitter differential pair (positive) |
| USB_SSTXM_DN4 | 27 | O | USB SuperSpeed transmitter differential pair (negative) |
| USB_SSRXP_DN4 | 29 | I | USB SuperSpeed receiver differential pair (positive) |
| USB_SSRXM_DN4 | 30 | I | USB SuperSpeed receiver differential pair (negative) |
| USB_DP_DN4 | 24 | I/O | USB High-speed differential transceiver (positive) |
| USB_DM_DN4 | 25 | I/O | USB High-speed differential transceiver (negative) |
| PWRCTL4/BATEN4 | 32 | I/O, PD | <p>USB Port 4 Power On Control for Downstream Power/Battery Charging Enable. The pin is used for control of the downstream power switch for Port 4. This pin be left unconnected if power management is not implemented.</p> <p>In addition, the value of the pin is sampled at the de-assertion of reset to determine the value of the battery charging support for Port 4 as indicated in the Battery Charging Support register:</p> <p>0 = Battery charging not supported 1 = Battery charging supported</p> |
| OVERCUR4z | 43 | I, PU | <p>USB Port 4 Over-Current Detection. This pin is typically connected to the over current output of the downstream port power switch for Port 4.</p> <p>0 = An over current event has occurred 1 = An over current event has not occurred</p> <p>When GANGED power management is enabled, this pin or one of the other OVERCURz pins must be connected to the over current output of the power switch or circuit which detects the over current conditions. For the case when another OVERCURz pin is used, this pin can be left unconnected.</p> |
| I²C/SMBUS I²C Signals | | | |

Pin Functions (continued)

| PIN | | I/O | DESCRIPTION |
|---------------------------------------|-----|---------|--|
| NAME | NO. | | |
| SCL/SMBCLK | 38 | I/O, PD | I ² C clock/SMBus clock. Function of pin depends on the setting of the SMBUSz input. When SMBUSz = 1, this pin acts as the serial clock interface for an I ² C EEPROM. When SMBUSz = 0, this pin acts as the serial clock interface for an SMBus host. Can be left unconnected if external interface not implemented. |
| SDA/SMBDAT | 37 | I/O, PD | I ² C data/SMBus data. Function of pin depends on the setting of the SMBUSz input. When SMBUSz = 1, this pin acts as the serial data interface for an I ² C EEPROM. When SMBUSz = 0, this pin acts as the serial data interface for an SMBus host. Can be left unconnected if external interface not implemented. |
| SMBUSz/SS_SUSPEND | 39 | I/O, PU | I ² C/SMBus mode select/SuperSpeed USB Suspend Status. The value of the pin is sampled at the de-assertion of reset set I ² C or SMBus mode as follows: 1 = I ² C Mode Selected 0 = SMBus Mode Selected Can be left unconnected if external interface not implemented. After reset, this signal indicates the SuperSpeed USB Suspend status of the upstream port if enabled through the stsOutputEn bit in the Additional Feature Configuration register. When enabled, a value of 1 indicates the connection is suspended. |
| Test and Miscellaneous Signals | | | |
| FULLPWRMGMTz/FULL AUTOz/SMBA1/SS_UP | 40 | I/O, PD | Full power management enable/SMBus address bit 1/SuperSpeed USB Connection Status Upstream port. The value of the pin is sampled at the de-assertion of reset to set the power switch control follows: 0 = Power switching and over current inputs supported 1 = Power switching and over current inputs not supported Full power management is the ability to control power to the downstream ports of the TUSB8042A using PWRCTL[4:1]/BATEN[4:1]. If BATENx = 1 on any port, full power management must be enabled so the value of the terminal is sampled at the de-assertion to initialize the value of the FULLAUTOz bit. When AUTOENz = 0 and FULLAUTOz = 0: all ACP modes are supported. When AUTOENz = 0 and FULLAUTOz = 1: only highest current ACP mode is used in auto mode. When SMBus mode is enabled, this pin sets the value of the SMBus slave address bit 1. Can be left unconnected if full power management and SMBus are not implemented. After reset, this signal indicates the SuperSpeed USB connection status of the upstream port if enabled through the stsOutputEn bit in the Additional Feature Configuration register. When enabled a value of 1 indicates the upstream port is connected to a SuperSpeed USB capable port. Note: Power switching must be supported for battery charging applications. |
| PWRCTL_POL | 41 | I/O, PU | Power Control Polarity. The value of the pin is sampled at the de-assertion of reset to set the polarity of PWRCTL[4:1]. 0 = PWRCTL polarity is active low 1 = PWRCTL polarity is active high |

Pin Functions (continued)

| PIN | | I/O | DESCRIPTION |
|---------------------------------|------------------------------|---------|--|
| NAME | NO. | | |
| GANGED/SMBA2/HS_UP | 42 | I/O, PD | <p>Ganged operation enable/SMBus Address bit 2/HS Connection Status Upstream Port.</p> <p>The value of the pin is sampled at the de-assertion of reset to set the power switch and over current detection mode as follows:</p> <ul style="list-style-type: none"> 0 = Individual power control supported when power switching is enabled 1 = Power control gangs supported when power switching is enabled <p>When SMBus mode is enabled using SMBUSz, this pin sets the value of the SMBus slave address bit 2.</p> <p>After reset, this signal indicates the High-speed USB connection status of the upstream port if enabled through the stsOutputEn bit in Additional Feature Configuration register. When enabled, a value of 1 indicates the upstream port is connected to a High-speed USB capable port.</p> <p>Note: Individual power control must be enabled for battery charging applications.</p> |
| AUTOENz/HS_SUSPEND | 45 | I/O, PU | <p>Automatic Charge Mode Enable/HS Suspend Status.</p> <p>The value of the pin is sampled at the de-assertion of reset to determine if automatic mode is enabled as follows:</p> <ul style="list-style-type: none"> 0 = Automatic Mode is enabled on ports that are enabled for battery charging when the hub is unconnected. Please note that CDP is not supported on Port 1 when operating in Automatic mode. 1 = Automatic Mode is disabled <p>This value is also used to set the autoEnz bit in the Battery Charging Support Register.</p> <p>After reset, this signal indicates the High-speed USB Suspend status of the upstream port if enabled through the stsOutputEn bit in Additional Feature Configuration register. When enabled, a value of 1 indicates the connection is suspended.</p> |
| TEST | 49 | I | <p>This pin is reserved for factory test. For normal operation, this pin requires an external pull down resistor to ground on PCB. Recommend 10k or stronger resistor.</p> |
| Power and Ground Signals | | | |
| VDD | 5, 8, 13, 21, 28, 31, 51, 57 | PWR | 1.1-V power rail |
| VDD33 | 16, 34, 52, 63 | PWR | 3.3-V power rail |
| VSS (Thermal Pad) | | PWR | Ground. Thermal pad must be connected to ground. |
| NC | 60 | — | No connect, leave floating |

7 Specifications

7.1 Absolute Maximum Ratings

over operating free-air temperature range (unless otherwise noted)⁽¹⁾

| | | MIN | MAX | UNIT |
|----------------------|---|------|------|------|
| Supply Voltage Range | V _{DD} Supply voltage range | -0.3 | 1.4 | V |
| | V _{DD33} Supply voltage range | -0.3 | 3.8 | V |
| Voltage Range | USB_SSRXP_UP, USB_SSRXN_UP, SSRXP_DN[4:1], USB_RXN_DP[4:1] and USB_VBUS terminals | -0.3 | 1.4 | V |
| | XI terminal | -0.3 | 2.45 | V |
| | All other terminals | -0.3 | 3.8 | V |
| T _{stg} | Storage temperature | -65 | 150 | °C |

(1) Stresses beyond those listed under *Absolute Maximum Rating* may cause permanent damage to the device. These are stress ratings only, which do not imply functional operation of the device at these or any other conditions beyond those indicated under *Recommended Operating Condition*. Exposure to absolute-maximum-rated conditions for extended periods may affect device reliability.

7.2 ESD Ratings

| | | | VALUE | UNIT |
|--------------------|-------------------------|--|-------|------|
| V _(ESD) | Electrostatic discharge | Human body model (HBM), per ANSI/ESDA/JEDEC JS-001, all pins ⁽¹⁾ | ±2000 | V |
| | | Charged device model (CDM), per JEDEC specification JESD22-C101, all pins ⁽²⁾ | ±500 | |

(1) JEDEC document JEP155 states that 500-V HBM allows safe manufacturing with a standard ESD control process.

(2) JEDEC document JEP157 states that 250-V CDM allows safe manufacturing with a standard ESD control process.

7.3 Recommended Operating Conditions

over operating free-air temperature range (unless otherwise noted)

| | | MIN | NOM | MAX | UNIT |
|-------------------|--------------------------------|------|-----|-------|------|
| V _{DD} | 1.1V Supply voltage | 0.99 | 1.1 | 1.26 | V |
| V _{DD33} | 3.3V Supply voltage | 3.0 | 3.3 | 3.6 | V |
| USB_VBUS | Voltage at USB_VBUS terminal. | 0 | | 1.155 | V |
| T _A | TUSB8042A Ambient temperature | 0 | | 70 | °C |
| T _A | TUSB8042AI Ambient temperature | -40 | | 85 | °C |
| T _J | Junction temperature | -40 | | 105 | °C |

7.4 Thermal Information

| THERMAL METRIC ⁽¹⁾ | | TUSB8042A | | UNIT |
|-------------------------------|--|-----------|--|------|
| | | RGC | | |
| | | 64 PINS | | |
| R _{θJA} | Junction-to-ambient thermal resistance | 26 | | °C/W |
| R _{θJC(top)} | Junction-to-case (top) thermal resistance | 11.5 | | °C/W |
| R _{θJB} | Junction-to-board thermal resistance | 5.3 | | °C/W |
| Ψ _{JT} | Junction-to-top characterization parameter | 0.2 | | °C/W |
| Ψ _{JB} | Junction-to-board characterization parameter | 5.2 | | °C/W |
| R _{θJC(bot)} | Junction-to-case (bottom) thermal resistance | 1.0 | | °C/W |

(1) For more information about traditional and new thermal metrics, see the [Semiconductor and IC Package Thermal Metrics](#) application report.

7.5 Electrical Characteristics

over operating free-air temperature and voltage range (unless otherwise noted)

| PARAMETER | | TEST CONDITIONS | MIN | TYP | MAX | UNIT |
|---|---|---|-----|-----|-----|------|
| Low Power Modes | | | | | | |
| $I_{DD_PWRO\ N}$ | V_{DD} current after Power On (after reset) | $V_{DD} = 1.1V; V_{DD33} = 3.3V; T_A = 25\ ^\circ C;$ | | 18 | | mA |
| $I_{DD33_PW\ RON}$ | V_{DD33} current after Power On (after reset) | $V_{DD} = 1.1V; V_{DD33} = 3.3V; T_A = 25\ ^\circ C;$ | | 2 | | mA |
| $I_{DD_UPDIS\ C}$ | V_{DD} current when upstream port is disconnected | $V_{DD} = 1.1V; V_{DD33} = 3.3V; T_A = 25\ ^\circ C;$ | | 21 | | mA |
| $I_{DD33_UP\ DISC}$ | V_{DD33} current when upstream port is disconnected | $V_{DD} = 1.1V; V_{DD33} = 3.3V; T_A = 25\ ^\circ C;$ | | 2 | | mA |
| $I_{DD_SUSP\ END}$ | V_{DD} current in Suspend | $V_{DD} = 1.1V; V_{DD33} = 3.3V; T_A = 25\ ^\circ C;$ | | 20 | | mA |
| $I_{DD33_SUS\ PEND}$ | V_{DD33} current in Suspend | $V_{DD} = 1.1V; V_{DD33} = 3.3V; T_A = 25\ ^\circ C;$ | | 2 | | mA |
| Active Power Modes (US State / DS State) | | | | | | |
| $I_{DD_SMBU\ S}$ | V_{DD} current during SMBus programming. | $V_{DD} = 1.1V; V_{DD33} = 3.3V; T_A = 25\ ^\circ C;$ | | 275 | | mA |
| $I_{DD33_SM\ BUS}$ | V_{DD33} current during SMBus programming | $V_{DD} = 1.1V; V_{DD33} = 3.3V; T_A = 25\ ^\circ C;$ | | 75 | | mA |
| $I_{DD_3H_1S\ S_0HS_U12}$ | V_{DD} current upstream port connected to USB 3.0 Host, downstream port(s) connected to 1 SS device, and 0 HS device. Links in U1/U2. | $V_{DD} = 1.1V; V_{DD33} = 3.3V; T_A = 25\ ^\circ C;$ | | 215 | | mA |
| $I_{DD33_3H_1SS_0HS_U12}$ | V_{DD33} current upstream port connected to USB 3.0 Host, downstream port(s) connected to 1 SS device, and 0 HS device. Links in U1/U2. | $V_{DD} = 1.1V; V_{DD33} = 3.3V; T_A = 25\ ^\circ C;$ | | 45 | | mA |
| $I_{DD_3H_1S\ S_0HS_U0}$ | V_{DD} current upstream port connected to USB 3.0 Host, downstream port(s) connected to 1 SS device, and 0 HS device. Links in U0. | $V_{DD} = 1.1V; V_{DD33} = 3.3V; T_A = 25\ ^\circ C;$ | | 330 | | mA |
| $I_{DD33_3H_1SS_0HS_U0}$ | V_{DD33} current upstream port connected to USB 3.0 Host, downstream port(s) connected to 1 SS device, and 0 HS device. Links in U0. | $V_{DD} = 1.1V; V_{DD33} = 3.3V; T_A = 25\ ^\circ C;$ | | 45 | | mA |
| $I_{DD_3H_2S\ S_0HS_U12}$ | V_{DD} current upstream port connected to USB 3.0 Host, downstream port(s) connected to 2 SS devices, and 0 HS device. Links in U1/U2 | $V_{DD} = 1.1V; V_{DD33} = 3.3V; T_A = 25\ ^\circ C;$ | | 301 | | mA |
| $I_{DD33_3H_2SS_0HS_U12}$ | V_{DD33} current upstream port connected to USB 3.0 Host, downstream port(s) connected to 2 SS devices, and 0 HS device. Links in U1/U2 | $V_{DD} = 1.1V; V_{DD33} = 3.3V; T_A = 25\ ^\circ C;$ | | 45 | | mA |
| $I_{DD_3H_2S\ S_0HS_U0}$ | V_{DD} current upstream port connected to USB 3.0 Host, downstream port(s) connected to 2 SS devices, and 0 HS device. Links in U0. | $V_{DD} = 1.1V; V_{DD33} = 3.3V; T_A = 25\ ^\circ C;$ | | 440 | | mA |
| $I_{DD33_3H_2SS_0HS_U0}$ | V_{DD33} current upstream port connected to USB 3.0 Host, downstream port(s) connected to 2 SS devices, and 0 HS device. Links in U0. | $V_{DD} = 1.1V; V_{DD33} = 3.3V; T_A = 25\ ^\circ C;$ | | 45 | | mA |
| $I_{DD_3H_3S\ S_0HS_U12}$ | V_{DD} current upstream port connected to USB 3.0 Host, downstream port(s) connected to 3 SS devices, and 0 HS device. Links in U1/U2 | $V_{DD} = 1.1V; V_{DD33} = 3.3V; T_A = 25\ ^\circ C;$ | | 360 | | mA |
| $I_{DD33_3H_3SS_0HS_U12}$ | V_{DD33} current upstream port connected to USB 3.0 Host, downstream port(s) connected to 3 SS devices, and 0 HS device. Links in U1/U2 | $V_{DD} = 1.1V; V_{DD33} = 3.3V; T_A = 25\ ^\circ C;$ | | 45 | | mA |

Electrical Characteristics (continued)

over operating free-air temperature and voltage range (unless otherwise noted)

| PARAMETER | | TEST CONDITIONS | MIN | TYP | MAX | UNIT |
|-----------------------------------|---|--|-----|-----|-----|------|
| $I_{DD_3H_3S}$ S_0HS_U0 | V_{DD} current upstream port connected to USB 3.0 Host, downstream port(s) connected to 3 SS devices, and 0 HS device. Links in U0. | $V_{DD} = 1.1V$; $V_{DD33} = 3.3V$; $T_A = 25\text{ }^\circ\text{C}$; | | 560 | | mA |
| $I_{DD33_3H_3SS_0HS_U0}$ | V_{DD33} current upstream port connected to USB 3.0 Host, downstream port(s) connected to 3 SS devices, and 0 HS device. Links in U0. | $V_{DD} = 1.1V$; $V_{DD33} = 3.3V$; $T_A = 25\text{ }^\circ\text{C}$; | | 45 | | mA |
| $I_{DD_3H_4S}$ S_0HS_U12 | V_{DD} current upstream port connected to USB 3.0 Host, downstream port(s) connected to 4 SS devices, and 0 HS device. Links in U1/U2 | $V_{DD} = 1.1V$; $V_{DD33} = 3.3V$; $T_A = 25\text{ }^\circ\text{C}$; | | 467 | | mA |
| $I_{DD33_3H_4SS_0HS_U12}$ | V_{DD33} current upstream port connected to USB 3.0 Host, downstream port(s) connected to 4 SS devices, and 0 HS device. Links in U1/U2 | $V_{DD} = 1.1V$; $V_{DD33} = 3.3V$; $T_A = 25\text{ }^\circ\text{C}$; | | 45 | | mA |
| $I_{DD_3H_4S}$ S_0HS_U0 | V_{DD} current upstream port connected to USB 3.0 Host, downstream port(s) connected to 4 SS devices, and 0 HS device. Links in U0. | $V_{DD} = 1.1V$; $V_{DD33} = 3.3V$; $T_A = 25\text{ }^\circ\text{C}$; | | 650 | | mA |
| $I_{DD33_3H_4SS_0HS_U0}$ | V_{DD33} current upstream port connected to USB 3.0 Host, downstream port(s) connected to 4 SS devices, and 0 HS device. Links in U0. | $V_{DD} = 1.1V$; $V_{DD33} = 3.3V$; $T_A = 25\text{ }^\circ\text{C}$; | | 45 | | mA |
| $I_{DD_3H_1S}$ S_1HS_U0 | V_{DD} current upstream port connected to USB 3.0 Host, downstream port(s) connected to 1 SS device, and 1 HS device. Links in U0. | $V_{DD} = 1.1V$; $V_{DD33} = 3.3V$; $T_A = 25\text{ }^\circ\text{C}$; | | 372 | | mA |
| $I_{DD33_3H_1SS_1HS_U0}$ | V_{DD33} current upstream port connected to USB 3.0 Host, downstream port(s) connected to 1 SS devices, and 1 HS device. Links in U0. | $V_{DD} = 1.1V$; $V_{DD33} = 3.3V$; $T_A = 25\text{ }^\circ\text{C}$; | | 84 | | mA |
| $I_{DD_3H_1S}$ S_2HS_U0 | V_{DD} current upstream port connected to USB 3.0 Host, downstream port(s) connected to 2 SS device, and 2 HS device. Links in U0. | $V_{DD} = 1.1V$; $V_{DD33} = 3.3V$; $T_A = 25\text{ }^\circ\text{C}$; | | 480 | | mA |
| $I_{DD33_3H_1SS_2HS_U0}$ | V_{DD33} current upstream port connected to USB 3.0 Host, downstream port(s) connected to 2 SS devices, and 2 HS device. Links in U0. | $V_{DD} = 1.1V$; $V_{DD33} = 3.3V$; $T_A = 25\text{ }^\circ\text{C}$; | | 95 | | mA |
| $I_{DD_2H_0S}$ S_1HS | V_{DD} current upstream port connected to USB 2.0 Host, downstream port(s) connected to 0 SS device, and 1 HS device. | $V_{DD} = 1.1V$; $V_{DD33} = 3.3V$; $T_A = 25\text{ }^\circ\text{C}$; | | 45 | | mA |
| $I_{DD33_2H_0SS_1HS}$ | V_{DD33} current upstream port connected to USB 2.0 Host, downstream port(s) connected to 0 SS devices, and 1 HS device. | $V_{DD} = 1.1V$; $V_{DD33} = 3.3V$; $T_A = 25\text{ }^\circ\text{C}$; | | 45 | | mA |
| $I_{DD_2H_0S}$ S_4HS | V_{DD} current upstream port connected to USB 2.0 Host, downstream port(s) connected to 0 SS device, and 4 HS device. | $V_{DD} = 1.1V$; $V_{DD33} = 3.3V$; $T_A = 25\text{ }^\circ\text{C}$; | | 74 | | mA |
| $I_{DD33_2H_0SS_4HS}$ | V_{DD33} current upstream port connected to USB 2.0 Host, downstream port(s) connected to 0 SS devices, and 4 HS device. | $V_{DD} = 1.1V$; $V_{DD33} = 3.3V$; $T_A = 25\text{ }^\circ\text{C}$; | | 76 | | mA |
| 3.3V I/O | | | | | | |
| V_{IH} | High-level input voltage ⁽¹⁾ | | 2 | | 3.6 | V |

(1) Applies to external inputs and bi-directional buffers

Electrical Characteristics (continued)

over operating free-air temperature and voltage range (unless otherwise noted)

| PARAMETER | | TEST CONDITIONS | MIN | TYP | MAX | UNIT |
|------------------|---|---|------|-----|-------------------------|------|
| V _{IL} | Low-level input voltage ⁽¹⁾ | | 0 | | 0.8 | V |
| V _I | Input voltage | | 0 | | 3.6 | V |
| V _O | Output voltage ⁽²⁾ | | 0 | | 3.6 | V |
| t _t | Input transition time (t _{RISE} and t _{FALL}) | | | | 25 | ns |
| V _{HYS} | Input hysteresis ⁽³⁾ | | | | 1.3 x V _{DD33} | V |
| V _{OH} | High-level output voltage | I _{OH} = -4 mA | 2.4 | | | V |
| V _{OL} | Low-level output voltage | I _{OH} = 4 mA | | | 0.4 | V |
| I _{OZP} | High-impedance output current with internal pullup or pulldown resistor. ⁽⁴⁾ | V _I = 0 to V _{DD33} ; | -250 | | 250 | μA |
| I _I | Input current ⁽⁵⁾ | V _I = 0 to V _{DD33} ; | -15 | | 15 | μA |
| R _{PD} | Internal pull-down resistance | | 13.5 | 19 | 27.5 | kΩ |
| R _{PU} | Internal pull-up resistance | | 14.5 | 19 | 25 | kΩ |

(2) Applies to external outputs and bi-directional buffers

(3) Applies to GRSTZ

(4) Applies to pins with internal pullups/pulldowns.

(5) Applies to external input buffers

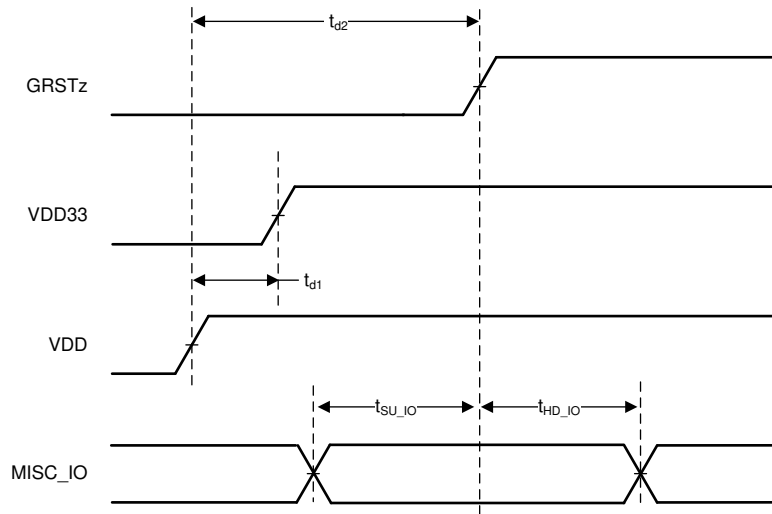
7.6 Timing Requirements

| | | MIN | NOM | MAX | UNIT |
|---|---|-----|-----|-----|------|
| Power-on timings. Refer to 1 | | | | | |
| t _{d1} | V _{DD} stable before V _{DD33} stable. ⁽¹⁾ ⁽²⁾ | 0 | | | ms |
| t _{d2} | V _{DD} and V _{DD33} before de-assertion of GRSTz. | 3 | | | ms |
| t _{su_io} | Setup for MISC inputs. ⁽³⁾ | 0.1 | | | μs |
| t _{hd_io} | Hold for MISC inputs. ⁽³⁾ | 0.1 | | | μs |
| t _{VDD33_RAM P} | V _{DD33} supply ramp requirement. | 0.2 | | 100 | ms |
| t _{VDD_RAMP} | V _{DD} supply ramp requirement. | 0.2 | | 100 | ms |

(1) As long as GRSTz is de-asserted after both supplies are stable, there is no power-on relationship between V_{DD33} and V_{DD}. If GRSTz is only connected to a capacitor to GND, then V_{DD} must be stable minimum of 10 μs before V_{DD33}.

(2) An active reset is required if the V_{DD33} supply is stable before V_{DD} supply. This active reset shall meet the 3 ms power-up delay counting from both power supplies stable to de-assertion of GRSTz.

(3) MISC pins sampled at de-assertion of GRSTz: BATEN[4:1], AUTOENz, FULLPWRMGMTz, GANGED, SMBUSz, and PWRCTL_POL.



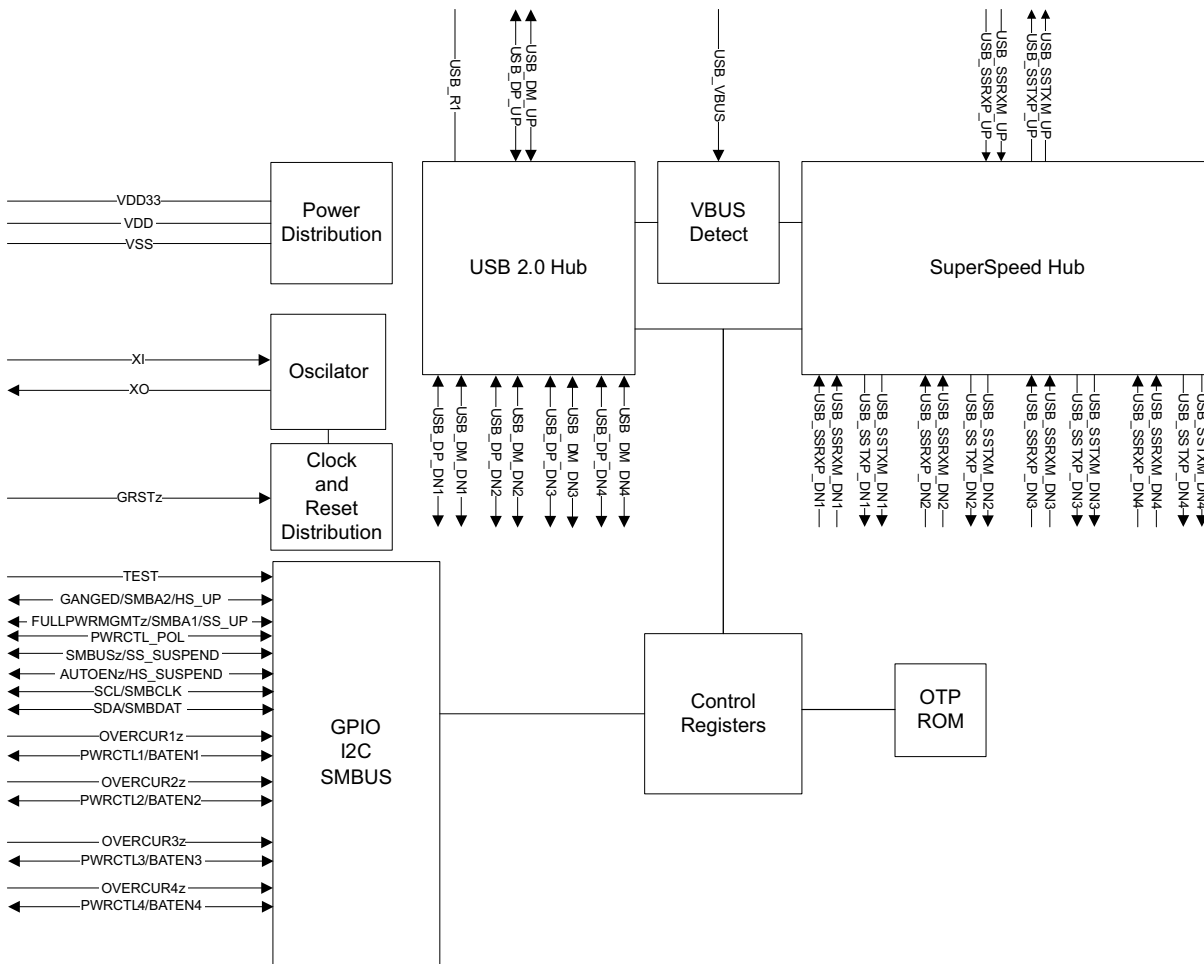
⊠ 1. Power-Up Timing Requirements

8 Detailed Description

8.1 Overview

The TUSB8042A is a four-port USB 3.2 x1 Gen1 compliant hub. It provides simultaneous SuperSpeed USB and high-speed/full-speed connections on the upstream port and provides SuperSpeed USB, high-speed, full-speed, or low-speed connections on the downstream ports. When the upstream port is connected to an electrical environment that only supports high-speed or full-speed/low-speed connections, SuperSpeed USB connectivity is disabled on the downstream ports. When the upstream port is connected to an electrical environment that only supports full-speed/low-speed connections, SuperSpeed USB and high-speed connectivity are disabled on the downstream ports.

8.2 Functional Block Diagram



8.3 Feature Description

8.3.1 Battery Charging Features

The TUSB8042A provides support for USB Battery Charging (BC1.2) and custom charging. Battery charging support may be enabled on a per port basis through the REG_6h(batEn[3:0]) or the BATEN[4:1] pins.

USB Battery charging support includes both Charging Downstream Port (CDP) and Dedicated Charging Port (DCP) modes. The DCP mode is compliant with the Chinese Telecommunications Industry Standard YD/T 1591-2009. CDP is enabled when the upstream port has detected valid VBUS, configured, and host sets port power. When the upstream port is not connected and battery charging support is enabled, the TUSB8042A enables DCP mode once all other battery modes such as ACPx have failed or are disabled.

In addition to USB Battery charging (BC1.2), the TUSB8042A supports custom charging indications: Divider Charging (ACP3, ACP2, ACP1 modes), and Galaxy compatible charging. These custom charging modes are only supported when upstream port is unconnected and AUTOMODE is enabled. AUTOMODE can be enabled either thru AUTOENz pin or from Reg_0Ah bit 1 (autoModeEnz) . When in AUTOMODE and upstream port is disconnected, the port automatically transitions from ACP mode to the DCP mode depending on the portable device connected. The divided mode places a fixed DC voltage on the ports DP and DM signals which allows some devices to identify the capabilities of the charger. The default divider mode indicates support for up to 10W (ACP3). The divider mode can be configured to report a lower-current setting (up to 5 W) through REG_0Ah (HiCurAcpModeEn).

When the upstream port is not connected and battery charging support is enabled for a port, the TUSB8042A drives the port power enable active. If AUTOMODE is disabled, then DCP mode is used. If AUTOMODE is enabled and fully automatic mode is disabled (FullAutoEn bit is cleared (Reg_25h Bit 0) or FULLAUTOz pin = 0), then TUSB8042A starts with highest enabled divider current mode (ACPx). The TUSB8042A remains in highest current mode as long as a pull-up is not detected on DP pin. If an pull-up is detected on DP pin, then TUSB8042A drives the port power enable inactive and switch to Galaxy mode, if enabled, or to DCP mode if Galaxy mode is disabled. The TUSB8042A again drives the port power enable active. The TUSB8042A remains in Galaxy mode as long as no pull-up is detected on DP pin. If an pull-up is detected on DP pin, then TUSB8042A drives the port power enable inactive and transition to DCP mode. The TUSB8042A again drives the port power enable active. In DCP mode, the TUSB8042A looks for a pull-up detected on DP pin or RxVdat. If a pull-up or RxVdat is detected on DP, the TUSB8042A remains in DCP mode. If no pull-up or RxVdat is detected on DP pin after 2 seconds, the TUSB8042A drives the port power enable inactive and transition back to ACPx mode. This sequence repeats until upstream port is connected.

When Automatic mode is enabled and full automatic mode is enabled (FullAutoEn Reg_25h bit 0 is set or FULLAUTOz pin = 1), TUSB8042A performs same sequence described in previous paragraph with the addition of attempting all supported ACPx modes before sequencing to Galaxy Mode (if enabled) or DCP mode.

The supported battery charging modes when TUSB8042A configured for SMBus or external EEPROM is detailed in [Battery Charging Modes with SMBus/EEPROM Table](#).

The supported battery charging modes when TUSB8042A configured for I2C but without an external EEPROM is determined by the sampled state of the pins. These modes are detailed in [Battery Charging Modes without EEPROM Table](#).

Feature Description (continued)
表 1. TUSB8042A Battery Charging Modes with SMBus or I2C EEPROM

| batEn[n] Reg_06h Bits 3:0 | Upstream VBUS | HiCurAcpMode En Reg_0Ah Bit 4 | autoModeEnz Reg_0Ah Bit 1 | FullAutoEn Reg_25h Bit 0 | Galaxy_Enz_Reg_25h Bit 1 | Battery Charging Mode Port x (x = n + 1) |
|---------------------------|---------------|-------------------------------|---------------------------|--------------------------|--------------------------|---|
| 0 | Don't Care | Don't Care | Don't Care | Don't Care | Don't Care | No Charging support |
| 1 | > 4V | Don't Care | Don't Care | Don't Care | Don't Care | CDP |
| 1 | < 4V | Don't Care | 1 | Don't Care | Don't Care | DCP |
| 1 | < 4V | Don't Care | 0 | 1 | 1 | AUTOMODE enabled. Sequences through all ACPx modes and DCP. Alternate ACP3, ACP2, ACP1, DCP |
| 1 | < 4V | 0 | 0 | 0 | 1 | AUTOMODE enabled. Sequences between ACP2 and DCP. Alternate ACP2, DCP |
| 1 | < 4V | 1 | 0 | 0 | 1 | AUTOMODE enabled. Sequences between ACP3 and DCP. Alternate ACP3, DCP |
| 1 | < 4V | Don't Care | 0 | 1 | 0 | AUTOMODE enabled with Galaxy compatible charging support. Alternate ACP3, ACP2, ACP1, Galaxy, DCP |
| 1 | < 4V | 0 | 0 | 0 | 0 | AUTOMODE enabled with Galaxy compatible charging support. Alternate ACP2, Galaxy, DCP |
| 1 | < 4V | 1 | 0 | 0 | 0 | AUTOMODE enabled with Galaxy compatible charging support. Alternate ACP3, Galaxy, DCP |

表 2. TUSB8042A Battery Charging Modes without EEPROM

| BATEN[3:0] pins | Upstream VBUS | AUTOENZ pin | FULLAUTOZ pin | Battery Charging Mode Port x (x = n + 1) |
|-----------------|---------------|-------------|---------------|--|
| 0 | Don't Care | Don't Care | Don't Care | No Charging support |
| 1 | > 4V | Don't Care | Don't Care | CDP |
| 1 | < 4V | 1 | 0 | DCP |
| 1 | < 4V | 0 | 0 | AUTOMODE enabled with Galaxy compatible charging support. Sequences through all ACPx modes. Alternate ACP3, ACP2, ACP1, Galaxy, DCP. |
| 1 | < 4V | 0 | 1 | AUTOMODE enabled with Galaxy compatible charging support. Alternate ACP3, Galaxy, DCP |
| 1 | < 4V | 1 | 1 | AUTOMODE enabled. Sequences through all ACPx modes. Alternate ACP3, ACP2, ACP1, DCP. |

8.3.2 USB Power Management

The TUSB8042A can be configured for power switched applications using either per-port (Full power managed) or ganged power-enable controls and over-current status inputs. When battery charge is enabled, the TUSB8042A always functions in full power managed.

Power switch support is enabled by REG_5h (fullPwrMgmtz) and the per-port or ganged mode is configured by REG_5h(ganged).

The TUSB8042A supports both active high and active low power-enable controls. The PWRCTL[4:1] polarity is configured by REG_Ah(pwrctlPol). The power control polarity can also be selected by the PWRCTL_POL pin.

8.3.3 One Time Programmable (OTP) Configuration

The TUSB8042A allows device configuration through one time programmable non-volatile memory (OTP). The programming of the OTP is supported using vendor-defined USB device requests. For details using the OTP features please contact your TI representative.

表 3 provides a list features which may be configured using the OTP.

表 3. OTP Configurable Features

| CONFIGURATION REGISTER OFFSET | BIT FIELD | DESCRIPTION |
|-------------------------------|-----------|---|
| REG_01h | [7:0] | Vendor ID LSB |
| REG_02h | [7:0] | Vendor ID MSB |
| REG_03h | [7:0] | Product ID LSB |
| REG_04h | [7:0] | Product ID MSB |
| REG_07h | [0] | Port removable configuration for downstream ports 1. OTP configuration is inverse of rmb[3:0], i.e. 1 = not removable, 0 = removable. |
| REG_07h | [1] | Port removable configuration for downstream ports 2. OTP configuration is inverse of rmb[3:0], i.e. 1 = not removable, 0 = removable. |
| REG_07h | [2] | Port removable configuration for downstream ports 3. OTP configuration is inverse of rmb[3:0], i.e. 1 = not removable, 0 = removable. |
| REG_07h | [3] | Port removable configuration for downstream ports 4. OTP configuration is inverse of rmb[3:0], i.e. 1 = not removable, 0 = removable. |
| REG_08h | [3:0] | Port used Configured register. |
| REG_0Ah | [1] | Battery Charger Automatic Mode enable. |
| REG_0Ah | [4] | High-current divider mode enable. |
| REG_0Bh | [0] | USB 2.0 port polarity configuration for upstream port. |
| REG_0Bh | [1] | USB 2.0 port polarity configuration for downstream ports 1. |
| REG_0Bh | [2] | USB 2.0 port polarity configuration for downstream ports 2. |
| REG_0Bh | [3] | USB 2.0 port polarity configuration for downstream ports 3. |
| REG_0Bh | [4] | USB 2.0 port polarity configuration for downstream ports 4. |
| REG_25h | [4:0] | Device Configuration Register 3 |
| REG_26h | [3:0] | USB2.0 Only Port Register |
| REG_F0h | [3:1] | USB BC power switch power off duration during automode. |

8.3.4 Clock Generation

The TUSB8042A accepts a crystal input to drive an internal oscillator or an external clock source. If a clock is provided to XI instead of a crystal, XO is left open. Otherwise, if a crystal is used, the connection needs to follow the guidelines below. Since XI and XO are coupled to other leads and supplies on the PCB, it is important to keep them as short as possible and away from any switching leads. It is also recommended to minimize the capacitance between XI and XO. This can be accomplished by shielding C1 and C2 with the clean ground lines.

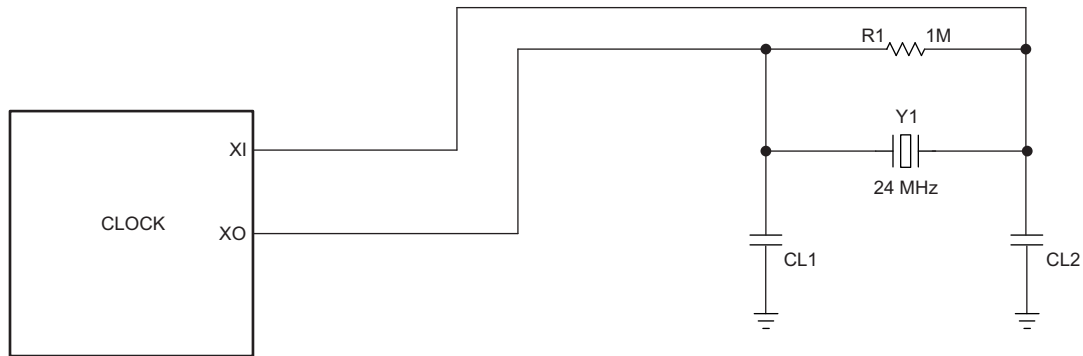


图 2. TUSB8042A Clock

8.3.5 Crystal Requirements

The crystal must be fundamental mode with load capacitance of 12 pF - 24 pF and frequency stability rating of ± 100 PPM or better. To ensure proper startup oscillation condition, a maximum crystal equivalent series resistance (ESR) of 50 Ω is recommended. A parallel load capacitor should be used if a crystal source is used. The exact load capacitance value used depends on the crystal vendor. Refer to application note *Selection and Specification for Crystals for Texas Instruments USB2.0 devices (SLLA122)* for details on how to determine the load capacitance value.

8.3.6 Input Clock Requirements

When using an external clock source such as an oscillator, the reference clock should have a ± 100 PPM or better frequency stability and have less than 50-ps absolute peak to peak jitter or less than 25-ps peak to peak jitter after applying the USB 3.2 Gen1 jitter transfer function. XI should be tied to the 1.8-V clock source and XO should be left floating.

8.3.7 Power-Up and Reset

The TUSB8042A does not have specific power sequencing requirements with respect to the core power (VDD) or I/O and analog power (VDD33) as long as GRSTz is held in an asserted state while supplies ramp. The core power (VDD) or I/O power (VDD33) may be powered up for an indefinite period of time while the other is not powered up if all of these constraints are met:

- All maximum ratings and recommended operating conditions are observed.
- All warnings about exposure to maximum rated and recommended conditions are observed, particularly junction temperature. These apply to power transitions as well as normal operation.
- Bus contention while VDD33 is powered up must be limited to 100 hours over the projected life-time of the device.
- Bus contention while VDD33 is powered down may violate the absolute maximum ratings.

A supply bus is powered up when the voltage is within the recommended operating range. It is powered down when it is below that range, either stable or in transition.

A minimum reset duration of 3 ms is required. This is defined as the time when the power supplies are in the recommended operating range to the de-assertion of GRSTz. This can be generated using programmable-delay supervisory device or using an RC circuit. When a RC circuit is used, the external capacitor size chosen must be large enough to meet the 3ms minimum duration requirement. The R of the RC circuit is the internal R_{PU} .

8.4 Device Functional Modes

8.4.1 External Configuration Interface

The TUSB8042A supports a serial interface for configuration register access. The device may be configured by an attached I²C EEPROM or accessed as a slave by an external SMBus master. The external interface is enabled when both the SCL/SMBCLK and SDA/SMBDAT pins are pulled up to 3.3 V at the de-assertion of reset. The mode, I²C master or SMBus slave, is determined by the state of SMBUSz/SS_SUSPEND pin at reset.

8.4.2 I²C EEPROM Operation

The TUSB8042A supports a single-master, standard mode (100 KHz) or fast mode (400KHz) connection to a dedicated I²C EEPROM when the I²C interface mode is enabled. In I²C mode, the TUSB8042A reads the contents of the EEPROM at bus address 1010000b using 7-bit addressing starting at address 0. The TUSB8042A reads the entire EEPROM contents using a single burst read transaction. The burst read transaction ends when the address reaches FFh.

If the value of the EEPROM contents at address byte 00h equals 55h, the TUSB8042A loads the configuration registers according to the EEPROM map. If the first byte is not 55h, the TUSB8042A exits the I²C mode and continues execution with the default values in the configuration registers. The hub is not connect on the upstream port until the configuration is completed.

注

The bytes located above offset Ah are optional. The requirement for data in those addresses is dependent on the options configured in the Device Configuration, and Device Configuration 2 registers.

The minimum size I²C EEPROM required is 2Kbit.

For details on I²C operation refer to the UM10204 I²C-bus Specification and User Manual.

8.4.3 Port Configuration

The TUSB8042A port configurations can be selected by registers or efuse. The Port Used Configuration register (USED[3:0]) define how many ports can possibly be reported by the hub. The device removable configuration register (RMBL[3:0]) define if the ports that USB 3.2 are reported as used have permanently connected devices or not. The USB 2.0 Only Port register (USB2_ONLY[3:0]) define whether or not a used port is reported as part of the USB 2.0 hub or both the USB2.0 and SS hubs. The USB2_ONLY field enables the USB2.0 port even if the corresponding USED bit is low. [表 4](#) shows examples of the possible combinations.

Device Functional Modes (continued)
表 4. TUSB8042A Downstream Port Configuration Examples

| USED[3:0] | RMBL[3:0] | USB2_ONLY [3:0] | Reported Port Configuration | Physical to Logical Port mapping |
|-----------|-----------|-----------------|--|--|
| 1111 | 1111 | 0000 | 4 Port USB 3.2 Hub 4 Port USB2.0 Hub | Physical1 => Logical Port1 for USB 3.2 and USB2.0. Physical2 => Logical Port2 for USB 3.2 and USB2.0. Physical3 => Logical Port3 for USB 3.2 and USB2.0. Physical4 => Logical Port4 for USB 3.2 and USB2.0. |
| 1110 | 1111 | 0000 | 3 Port USB 3.2 Hub 3 Port USB2.0 Hub | Physical1 Not used. Physical2 => Logical Port1 for USB 3.2 and USB2.0. Physical3 => Logical Port2 for USB 3.2 and USB2.0. Physical4 => Logical Port3 for USB 3.2 and USB2.0. |
| 1100 | 0111 | 0000 | 2 Port USB 3.2 Hub 2 Port USB2.0 hub with permanently attached device on Port 2 | Physical1 Not used. Physical2 Not used. Physical3 => Logical Port1 for USB 3.2 and USB2.0. Physical4 => Logical Port2 for USB 3.2 and USB2.0. |
| 0011 | 1111 | 0010 | 1 Port USB 3.2 Hub 2 Port USB 2.0 Hub | Physical1 => Logical Port1 for USB 3.2 and USB2.0. Physical2 => Logical Port2 for USB2.0. Physical3 Not Used. Physical4 Not used. |
| 1000 | 1111 | 0010 | 1 Port USB 3.2 Hub 2 Port USB 2.0 Hub | Physical1 Not used. Physical2 => Logical Port2 for USB2.0. Physical3 Not used Physical4 => Logical Port1 for USB 3.2 and USB2.0. |
| 1111 | 1111 | 1110 | 1 Port USB 3.2 Hub 4 Port USB 2.0 Hub | Physical1 => Logical Port1 for USB 3.2 and USB2.0. Physical2 => Logical Port2 for USB2.0. Physical3 => Logical Port3 for USB2.0. Physical4 => Logical Port4 for USB2.0. |

8.4.4 SMBus Slave Operation

When the SMBus interface mode is enabled, the TUSB8042A supports read block and write block protocols as a slave-only SMBus device.

The TUSB8042A slave address is 1000 1xyz, where:

- x is the state of GANGED/SMBA2/HS_UP pin at reset,
- y is the state of FULLPWRRMGMTz/SMBA1/SS_UP pin at reset, and
- z is the read/write bit; 1 = read access, 0 = write access.

For details on SMBus requirements, refer to the System Management Bus Specification.

注

If the TUSB8042A is addressed by a host using an unsupported protocol it does not respond. The TUSB8042A waits indefinitely for configuration by the SMBus host and does not connect on the upstream port until the SMBus host indicates configuration is complete by clearing the CFG_ACTIVE bit.

8.5 Register Maps

8.5.1 Configuration Registers

The internal configuration registers are accessed on byte boundaries. The configuration register values are loaded with defaults but can be over-written when the TUSB8042A is in I²C or SMBus mode. Refer to [表 3](#) for registers configurable from OTP.

表 5. TUSB8042A Register Map

| BYTE ADDRESS | CONTENTS | EEPROM CONFIGURABLE |
|--------------|--|---------------------------------|
| 00h | ROM Signature Register | Yes |
| 01h | Vendor ID LSB | Yes |
| 02h | Vendor ID MSB | Yes |
| 03h | Product ID LSB | Yes |
| 04h | Product ID MSB | Yes |
| 05h | Device Configuration Register | Yes |
| 06h | Battery Charging Support Register | Yes |
| 07h | Device Removable Configuration Register | Yes |
| 08h | Port Used Configuration Register | Yes |
| 09h | Reserved. Must default to 00h. | Yes |
| 0Ah | Device Configuration Register 2 | Yes |
| 0Bh | USB 2.0 Port Polarity Control Register | Yes |
| 0Ch-0Fh | Reserved | No |
| 10h-1Fh | UUID Byte [15:0] | No |
| 20h-21h | LangID Byte [1:0] | Yes |
| 22h | Serial Number Length | Yes |
| 23h | Manufacturer String Length | Yes |
| 24h | Product String Length | Yes |
| 25h | Device Configuration Register 3 | Yes |
| 26h | USB 2.0 Only Port Register | Yes |
| 27h-2Eh | Reserved | Yes |
| 2Fh | Reserved | No |
| 30h-4Fh | Serial Number String Byte [31:0] | Yes |
| 50h-8Fh | Manufacturer String Byte [63:0] | Yes |
| 90h-CFh | Product String Byte [63:0] | Yes |
| D0h-D4h | Reserved | Yes, but do not change default. |
| D5h-D7h | Reserved | No |
| D8h-DCh | Reserved | Yes, but do not change default. |
| DDh-EFh | Reserved | No |
| F0h | Additional Features Configuration Register | Yes |
| F1h-F7h | Reserved | No |
| F8h | SMBus Device Status and Command Register | No |
| F9h - FFh | Reserved | No |

8.5.2 ROM Signature Register

图 3. Register Offset 0h

| Bit No. | 7 | 6 | 5 | 4 | 3 | 2 | 1 | 0 |
|-------------|---|---|---|---|---|---|---|---|
| Reset State | 0 | 0 | 0 | 0 | 0 | 0 | 0 | 0 |

表 6. Bit Descriptions – ROM Signature Register

| Bit | Field | Type | Description |
|-----|--------------|------|---|
| 7:0 | romSignature | RW | ROM Signature Register. This register is used by the TUSB8042A in I ² C mode to validate the attached EEPROM has been programmed. The first byte of the EEPROM is compared to the mask 55h and if not a match, the TUSB8042A aborts the EEPROM load and executes with the register defaults. |

8.5.3 Vendor ID LSB Register

图 4. Register Offset 1h

| Bit No. | 7 | 6 | 5 | 4 | 3 | 2 | 1 | 0 |
|-------------|---|---|---|---|---|---|---|---|
| Reset State | 0 | 1 | 0 | 1 | 0 | 0 | 0 | 1 |

表 7. Bit Descriptions – Vendor ID LSB Register

| Bit | Field | Type | Description |
|-----|-------------|-------|---|
| 7:0 | vendorIdLsb | RO/RW | Vendor ID LSB. Least significant byte of the unique vendor ID assigned by the USB-IF; the default value of this register is 51h representing the LSB of the TI Vendor ID 0451h. The value may be over-written to indicate a customer Vendor ID. Value used for this field is the non-zero value written by EEPROM/SMBus to both PID and VID. If a zero value is written by EEPROM/SMBus to both PID and VID, then value used for this field is the non-zero value from OTP. If a zero value is written by OTP, then value used for this field is 51h. |

8.5.4 Vendor ID MSB Register

图 5. Register Offset 2h

| Bit No. | 7 | 6 | 5 | 4 | 3 | 2 | 1 | 0 |
|-------------|---|---|---|---|---|---|---|---|
| Reset State | 0 | 0 | 0 | 0 | 0 | 1 | 0 | 0 |

表 8. Bit Descriptions – Vendor ID MSB Register

| Bit | Field | Type | Description |
|-----|-------------|-------|--|
| 7:0 | vendorIdMsb | RO/RW | Vendor ID MSB. Most significant byte of the unique vendor ID assigned by the USB-IF; the default value of this register is 04h representing the MSB of the TI Vendor ID 0451h. The value may be over-written to indicate a customer Vendor ID. Value used for this field is the non-zero value written by EEPROM/SMBus to both PID and VID. If a zero value is written by EEPROM/SMBus to both PID and VID, then value used for this field is the non-zero value from OTP. If a zero value is written by OTP, then value used for this field is 04h. |

8.5.5 Product ID LSB Register
图 6. Register Offset 3h

| Bit No. | 7 | 6 | 5 | 4 | 3 | 2 | 1 | 0 |
|-------------|---|---|---|---|---|---|---|---|
| Reset State | 0 | 1 | 0 | 0 | 0 | 0 | 0 | 0 |

表 9. Bit Descriptions – Product ID LSB Register

| Bit | Field | Type | Description |
|-----|--------------|-------|---|
| 7:0 | productIdLsb | RO/RW | Product ID LSB. Least significant byte of the product ID assigned by Texas Instruments and reported in the SuperSpeed Device descriptor. the default value of this register is 40h representing the LSB of the SuperSpeed product ID assigned by Texas Instruments. The value reported in the USB 2.0 Device descriptor is the value of this register bit wise XORed with 00000010b. The value may be over-written to indicate a customer product ID. Value used for this field is the non-zero value written by EEPROM/SMBus to both PID and VID. If a zero value is written by EEPROM/SMBus to both PID and VID, then value used for this field is the non-zero value from OTP. If a zero value is written by OTP, then value used for this field is 40h . |

8.5.6 Product ID MSB Register
图 7. Register Offset 4h

| Bit No. | 7 | 6 | 5 | 4 | 3 | 2 | 1 | 0 |
|-------------|---|---|---|---|---|---|---|---|
| Reset State | 1 | 0 | 0 | 0 | 0 | 0 | 0 | 1 |

表 10. Bit Descriptions – Product ID MSB Register

| Bit | Field | Type | Description |
|-----|--------------|-------|--|
| 7:0 | productIdMsb | RO/RW | Product ID MSB. Most significant byte of the product ID assigned by Texas Instruments; the default value of this register is 82h representing the MSB of the product ID assigned by Texas Instruments. The value may be over-written to indicate a customer product ID. Value used for this field is the non-zero value written by EEPROM/SMBus to both PID and VID. If a zero value is written by EEPROM/SMBus to both PID and VID, then value used for this field is the non-zero value from OTP. If a zero value is written by OTP, then value used for this field is 82h. |

8.5.7 Device Configuration Register

☒ 8. Register Offset 5h

| Bit No. | 7 | 6 | 5 | 4 | 3 | 2 | 1 | 0 |
|-------------|---|---|---|---|---|---|---|---|
| Reset State | 0 | 0 | 0 | 1 | X | X | 0 | 0 |

表 11. Bit Descriptions – Device Configuration Register

| Bit | Field | Type | Description |
|-----|---------------|------|---|
| 7 | customStrings | RW | Custom strings enable. This bit controls the ability to write to the Manufacturer String Length, Manufacturer String, Product String Length, Product String, and Language ID registers 0 = The Manufacturer String Length, Manufacturer String, Product String Length, Product String, and Language ID registers are read only 1 = The Manufacturer String Length, Manufacturer String, Product String Length, Product String, and Language ID registers may be loaded by EEPROM or written by SMBus The default value of this bit is 0. |
| 6 | customSernum | RW | Custom serial number enable. This bit controls the ability to write to the serial number registers. 0 = The Serial Number String Length and Serial Number String registers are read only 1 = Serial Number String Length and Serial Number String registers may be loaded by EEPROM or written by SMBus The default value of this bit is 0. |
| 5 | u1u2Disable | RW | U1 U2 Disable. This bit controls the U1/U2 support. 0 = U1/U2 support is enabled 1 = U1/U2 support is disabled, the TUSB8042A will not initiate or accept any U1 or U2 requests on any port, upstream or downstream, unless it receives or sends a Force_LinkPM_Accept LMP. After receiving or sending an FLPMA LMP, it continues to enable U1 and U2 according to USB 3.2 protocol until it gets a power-on reset or is disconnected on its upstream port. When the TUSB8042A is in I ² C mode, the TUSB8042A loads this bit from the contents of the EEPROM. When the TUSB8042A is in SMBUS mode, the value may be overwritten by an SMBus host. |
| 4 | RSVD | RO | Reserved. This bit is reserved and returns 1 when read. |
| 3 | ganged | RW | Ganged. This bit is loaded at the de-assertion of reset with the value of the GANGED/SMBA2/HS_UP pin. 0 = When fullPwrMgmtz = 0, each port is individually power switched and enabled by the PWRCTL[4:1]/BATEN[4:1] pins 1 = When fullPwrMgmtz = 0, the power switch control for all ports is ganged and enabled by the PWRCTL[4:1]/BATEN1 pin When the TUSB8042A is in I ² C mode, the TUSB8042A loads this bit from the contents of the EEPROM. When the TUSB8042A is in SMBUS mode, the value may be overwritten by an SMBus host. |
| 2 | fullPwrMgmtz | RW | Full Power Management. This bit is loaded at the de-assertion of reset with the value of the FULLPWRMGMTz/SMBA1/SS_UP pin. 0 = Port power switching status reporting is enabled 1 = Port power switching status reporting is disabled When the TUSB8042A is in I ² C mode, the TUSB8042A loads this bit from the contents of the EEPROM. When the TUSB8042A is in SMBUS mode, the value may be overwritten by an SMBus host. |
| 1 | u1u2TimerOvr | RW | U1 U2 Timer Override. When this field is set, the TUSB8042A overrides the downstream ports U1/U2 timeout values set by USB 3.2 Host software. If software sets value in the range of 1h - FFh, the TUSB8042A uses the value of FFh. If software sets value to 0, then TUSB8042A uses value of 0. REG_09h [6] must be set to enable this feature. |
| 0 | RSVD | RO | Reserved. This field is reserved and returns 0 when read. |

8.5.8 Battery Charging Support Register

☒ 9. Register Offset 6h

| Bit No. | 7 | 6 | 5 | 4 | 3 | 2 | 1 | 0 |
|-------------|---|---|---|---|---|---|---|---|
| Reset State | 0 | 0 | 0 | 0 | X | X | X | X |

表 12. Bit Descriptions – Battery Charging Support Register

| Bit | Field | Type | Description |
|-----|------------|------|---|
| 7:4 | RSVD | RO | Reserved. Read only, returns 0 when read. |
| 3:0 | batEn[3:0] | RW | Battery Charger Support. The bits in this field indicate whether the downstream port implements the charging port features. 0 = The port is not enabled for battery charging support features 1 = The port is enabled for battery charging support features Each bit corresponds directly to a downstream port, i.e. batEn0 corresponds to downstream port 1, and batEN1 corresponds to downstream port 2. The default value for these bits are loaded at the de-assertion of reset with the value of PWRCTL/BATEN[3:0]. When in I2C/SMBus mode the bits in this field may be over-written by EEPROM contents or by an SMBus host. |

8.5.9 Device Removable Configuration Register

☒ 10. Register Offset 7h

| Bit No. | 7 | 6 | 5 | 4 | 3 | 2 | 1 | 0 |
|-------------|---|---|---|---|---|---|---|---|
| Reset State | 0 | 0 | 0 | 0 | X | X | X | X |

表 13. Bit Descriptions – Device Removable Configuration Register

| Bit | Field | Type | Description |
|-----|------------|-------|--|
| 7 | customRmbl | RW | Custom Removable. This bit controls selection of port removable bits, port used bits, and USB2_ONLY bits. 0 = rmb[3:0], used[3:0], and USB2_ONLY[3:0] are read only and the values are loaded from the OTP ROM 1 = rmb[3:0], used[3:0], and USB2_ONLY[3:0] are read/write and can be loaded by EEPROM or written by SMBus This bit may be written simultaneously with rmb[3:0]. |
| 6:4 | RSVD | RO | Reserved. Read only, returns 0 when read. |
| 3:0 | rmb[3:0] | RO/RW | Removable. The bits in this field indicate whether a device attached to downstream ports 4 through 1 are removable or permanently attached. 0 = The device attached to the port is not removable 1 = The device attached to the port is removable Each bit corresponds directly to a downstream port n + 1, i.e. rmbI0 corresponds to downstream port 1, rmbI1 corresponds to downstream port 2, etc. This field is read only unless the customRmbl bit is set to 1. Otherwise the value of this field reflects the inverted values of the OTP ROM non_rmb[3:0] field. |

8.5.10 Port Used Configuration Register

☒ 11. Register Offset 8h

| Bit No. | 7 | 6 | 5 | 4 | 3 | 2 | 1 | 0 |
|-------------|---|---|---|---|---|---|---|---|
| Reset State | 0 | 0 | 0 | 0 | 1 | 1 | 1 | 1 |

表 14. Bit Descriptions – Port Used Configuration Register

| Bit | Field | Type | Description |
|-----|-----------|-------|--|
| 7:4 | RSVD | RO | Reserved. Read only. |
| 3:0 | used[3:0] | RO/RW | Used. The bits in this field indicate whether a port is enabled. 0 = The port is not used or disabled 1 = The port is used or enabled Each bit corresponds directly to a downstream port, i.e. used0 corresponds to downstream port 1, used1 corresponds to downstream port 2, etc. This field is read only unless the customRmbl bit is set to 1. When the corresponding USB2_ONLY bit is set, the USB2 port is used and enabled regardless of the bit programmed into this field. |

8.5.11 Device Configuration Register 2
☒ 12. Register Offset Ah

| Bit No. | 7 | 6 | 5 | 4 | 3 | 2 | 1 | 0 |
|-------------|---|---|---|---|---|---|---|---|
| Reset State | 0 | 0 | X | 0 | 0 | 0 | 0 | 0 |

表 15. Bit Descriptions – Device Configuration Register 2

| Bit | Field | Type | Description |
|-----|------------------|-------|--|
| 7 | Reserved | RO | Reserved. Read-only, returns 0 when read. |
| 6 | customBCfeatures | RW | Custom Battery Charging Feature Enable. This bit controls the ability to write to the battery charging feature configuration controls. 0 = The HiCurAcpModeEn is read only and the values are loaded from the OTP ROM. 1 = The HiCurAcpModeEn bit is read/write and can be loaded by EEPROM or written by SMBus. This bit may be written simultaneously with HiCurAcpModeEn. |
| 5 | pwrctlPol | RW | Power enable polarity. This bit is loaded at the de-assertion of reset with the value of the PWRCTL_POL pin. 0 = PWRCTL polarity is active low 1 = PWRCTL polarity is active high When the TUSB8042A is in I ² C mode, the TUSB8042A loads this bit from the contents of the EEPROM. When the TUSB8042A is in SMBUS mode, the value may be overwritten by an SMBus host. |
| 4 | HiCurAcpModeEn | RO/RW | High-current ACP mode enable. This bit enables the high-current tablet charging mode when the automatic battery charging mode is enabled for downstream ports. 0 = High current divider mode disabled . High current is ACP2(default) 1 = High current divider mode enabled. High current mode is ACP3 This bit is read only unless the customBCfeatures bit is set to 1. If customBCfeatures is 0, the value of this bit reflects the value of the OTP ROM HiCurAcpModeEn bit. |
| 3:2 | Reserved | RW | Reserved. These registers are unused and returns whatever value was written. |
| 1 | autoModeEnz | RW | Automatic Mode Enable. This bit is loaded at the de-assertion of reset with the value of the AUTOENz/HS_SUSPEND pin. The automatic mode only applies to downstream ports with battery charging enabled when the upstream port is not connected. Under these conditions: 0 = Automatic mode battery charging features are enabled. 1 = Automatic mode is disabled; only Battery Charging DCP and CDP mode is supported. NOTE: When the upstream port is connected, Battery Charging CDP mode is supported on all ports that are enabled for battery charging support regardless of the value of this bit. |
| 0 | RSVD | RO | Reserved. Read only, returns 0 when read. |

8.5.12 USB 2.0 Port Polarity Control Register

☒ 13. Register Offset Bh

| Bit No. | 7 | 6 | 5 | 4 | 3 | 2 | 1 | 0 |
|-------------|---|---|---|---|---|---|---|---|
| Reset State | 0 | 0 | 0 | 0 | 0 | 0 | 0 | 0 |

表 16. Bit Descriptions – USB 2.0 Port Polarity Control Register

| Bit | Field | Type | Description |
|-----|----------------|-------|---|
| 7 | customPolarity | RW | Custom USB 2.0 Polarity. This bit controls the ability to write the p[4:0]_usb2pol bits. 0 = The p[4:0]_usb2pol bits are read only and the values are loaded from the OTP ROM. 1 = The p[4:0]_usb2pol bits are read/write and can be loaded by EEPROM or written by SMBus. This bit may be written simultaneously with the p[4:0]_usb2pol bits |
| 6:5 | RSVD | RO | Reserved. Read only, returns 0 when read. |
| 4 | p4_usb2pol | RO/RW | Downstream Port 4 DM/DP Polarity. This controls the polarity of the port. 0 = USB 2.0 port polarity is as documented by the pin out 1 = USB 2.0 port polarity is swapped from that documented in the pin out, i.e. DM becomes DP, and DP becomes DM. This bit is read only unless the customPolarity bit is set to 1. If customPolarity is 0 the value of this bit reflects the value of the OTP ROM p4_usb2pol bit. |
| 3 | p3_usb2pol | RO/RW | Downstream Port 3 DM/DP Polarity. This controls the polarity of the port. 0 = USB 2.0 port polarity is as documented by the pin out 1 = USB 2.0 port polarity is swapped from that documented in the pin out, i.e. DM becomes DP, and DP becomes DM. This bit is read only unless the customPolarity bit is set to 1. If customPolarity is 0 the value of this bit reflects the value of the OTP ROM p3_usb2pol bit. |
| 2 | p2_usb2pol | RO/RW | Downstream Port 2 DM/DP Polarity. This controls the polarity of the port. 0 = USB 2.0 port polarity is as documented by the pin out 1 = USB 2.0 port polarity is swapped from that documented in the pin out, i.e. DM becomes DP, and DP becomes DM. This bit is read only unless the customPolarity bit is set to 1. If customPolarity is 0 the value of this bit reflects the value of the OTP ROM p2_usb2pol bit. |
| 1 | p1_usb2pol | RORW | Downstream Port 1 DM/DP Polarity. This controls the polarity of the port. 0 = USB 2.0 port polarity is as documented by the pin out 1 = USB 2.0 port polarity is swapped from that documented in the pin out, i.e. DM becomes DP, and DP becomes DM. This bit is read only unless the customPolarity bit is set to 1. If customPolarity is 0 the value of this bit reflects the value of the OTP ROM p1_usb2pol bit. |
| 0 | p0_usb2pol | RO/RW | Upstream Port DM/DP Polarity. This controls the polarity of the port. 0 = USB 2.0 port polarity is as documented by the pin out 1 = USB 2.0 port polarity is swapped from that documented in the pin out, i.e. DM becomes DP, and DP becomes DM. This bit is read only unless the customPolarity bit is set to 1. If customPolarity is 0 the value of this bit reflects the value of the OTP ROM p0_usb2pol bit. |

8.5.13 UUID Registers

图 14. Register Offset 10h-1Fh

| Bit No. | 7 | 6 | 5 | 4 | 3 | 2 | 1 | 0 |
|-------------|---|---|---|---|---|---|---|---|
| Reset State | X | X | X | X | X | X | X | X |

表 17. Bit Descriptions – UUID Byte N Register

| Bit | Field | Type | Description |
|-----|-------------|------|---|
| 7:0 | uuidByte[n] | RO | UUID byte N. The UUID returned in the Container ID descriptor. The value of this register is provided by the device and it meets the UUID requirements of Internet Engineering Task Force (IETF) RFC 4122 A UUID URN Namespace. |

8.5.14 Language ID LSB Register

图 15. Register Offset 20h

| Bit No. | 7 | 6 | 5 | 4 | 3 | 2 | 1 | 0 |
|-------------|---|---|---|---|---|---|---|---|
| Reset State | 0 | 0 | 0 | 0 | 1 | 0 | 0 | 1 |

表 18. Bit Descriptions – Language ID LSB Register

| Bit | Field | Type | Description |
|-----|-----------|-------|--|
| 7:0 | langIdLsb | RO/RW | Language ID least significant byte. This register contains the value returned in the LSB of the LANGID code in string index 0. The TUSB8042A only supports one language ID. The default value of this register is 09h representing the LSB of the LangID 0409h indicating English United States. When customStrings is 1, this field may be over-written by the contents of an attached EEPROM or by an SMBus host. |

8.5.15 Language ID MSB Register

图 16. Register Offset 21h

| Bit No. | 7 | 6 | 5 | 4 | 3 | 2 | 1 | 0 |
|-------------|---|---|---|---|---|---|---|---|
| Reset State | 0 | 0 | 0 | 0 | 0 | 0 | 0 | 0 |

表 19. Bit Descriptions – Language ID MSB Register

| Bit | Field | Type | Description |
|-----|-----------|-------|---|
| 7:0 | langIdMsb | RO/RW | Language ID most significant byte. This register contains the value returned in the MSB of the LANGID code in string index 0. The TUSB8042A only supports one language ID. The default value of this register is 04h representing the MSB of the LangID 0409h indicating English United States. When customStrings is 1, this field may be over-written by the contents of an attached EEPROM or by an SMBus host. |

8.5.16 Serial Number String Length Register

☒ 17. Register Offset 22h

| Bit No. | 7 | 6 | 5 | 4 | 3 | 2 | 1 | 0 |
|-------------|---|---|---|---|---|---|---|---|
| Reset State | 0 | 0 | 0 | 1 | 1 | 0 | 0 | 0 |

表 20. Bit Descriptions – Serial Number String Length Register

| Bit | Field | Type | Description |
|-----|-----------------|-------|--|
| 7:6 | RSVD | RO | Reserved. Read only, returns 0 when read. |
| 5:0 | serNumStringLen | RO/RW | Serial number string length. The string length in bytes for the serial number string. The default value is 18h indicating that a 24 byte serial number string is supported. The maximum string length is 32 bytes. When customSernum is 1, this field may be over-written by the contents of an attached EEPROM or by an SMBus host. When the field is non-zero, a serial number string of serNumbStringLen bytes is returned at string index 1 from the data contained in the Serial Number String registers. |

8.5.17 Manufacturer String Length Register

☒ 18. Register Offset 23h

| Bit No. | 7 | 6 | 5 | 4 | 3 | 2 | 1 | 0 |
|-------------|---|---|---|---|---|---|---|---|
| Reset State | 0 | 0 | 0 | 0 | 0 | 0 | 0 | 0 |

表 21. Bit Descriptions – Manufacturer String Length Register

| Bit | Field | Type | Description |
|-----|--------------|-------|--|
| 7 | RSVD | RO | Reserved. Read only, returns 0 when read. |
| 6:0 | mfgStringLen | RO/RW | Manufacturer string length. The string length in bytes for the manufacturer string. The default value is 0, indicating that a manufacturer string is not provided. The maximum string length is 64 bytes. When customStrings is 1, this field may be over-written by the contents of an attached EEPROM or by an SMBus host. When the field is non-zero, a manufacturer string of mfgStringLen bytes is returned at string index 3 from the data contained in the Manufacturer String registers. |

8.5.18 Product String Length Register

☒ 19. Register Offset 24h

| Bit No. | 7 | 6 | 5 | 4 | 3 | 2 | 1 | 0 |
|-------------|---|---|---|---|---|---|---|---|
| Reset State | 0 | 0 | 0 | 0 | 0 | 0 | 0 | 0 |

表 22. Bit Descriptions – Product String Length Register

| Bit | Field | Type | Description |
|-----|---------------|-------|--|
| 7 | RSVD | RO | Reserved. Read only, returns 0 when read. |
| 6:0 | prodStringLen | RO/RW | Product string length. The string length in bytes for the product string. The default value is 0, indicating that a product string is not provided. The maximum string length is 64 bytes. When customStrings is 1, this field may be over-written by the contents of an attached EEPROM or by an SMBus host. When the field is non-zero, a product string of prodStringLen bytes is returned at string index 3 from the data contained in the Product String registers. |

8.5.19 Device Configuration Register 3

图 20. Register Offset 25h

| Bit No. | 7 | 6 | 5 | 4 | 3 | 2 | 1 | 0 |
|-------------|---|---|---|---|---|---|---|---|
| Reset State | 0 | 0 | 0 | 0 | 0 | 0 | 0 | 0 |

表 23. Bit Descriptions – Device Configuration Register 3

| Bit | Field | Type | Description |
|-----|-----------------|------|--|
| 7:6 | RSVD | RO | Reserved. Read only, returns 0 when read. |
| 5 | bcdUSB30 | RW | This field when set forces SS hub to report bcdUSB = 3.0 instead of 3.2. |
| 4 | USB2.0_only | RW | USB 2.0 hub reports as 2.0 only. This bit disables the USB 2.0 hub from reporting 5Gbps support in the wSpeedsSupported field of the USB SS BOS SS device capability descriptor. This bit also disables the USB3.0 hub. This bit is read/write but the read value returned is the Boolean OR of this bit and the corresponding eFuse bit. If either bit is set, this feature is enabled. |
| 3 | USB2_DFP_UNCONF | RW | This field when set enables USB 2.0-defined Unconfigured state on DFPS. |
| 2 | I2C_100k | R/W | I2C 100kHz. This bit controls the clock rate of the I2C master for both USB to I2C requests. The EEPROM reads occurs at 400K unless eFuse is used to set the rate to 100k. This bit is read/write but the read value returned is the Boolean OR of this bit and the corresponding eFuse bit. If either bit is set, this feature is enabled. |
| 1 | Galaxy_Enz | R/W | Disable Galaxy compatible modes. When this field is high, Galaxy charging compatible mode does not included in AUTOMODE charger sequence. This bit is read/write but the read value returned is the Boolean OR of this bit and the corresponding eFuse bit. If either bit is set, this feature is disabled. |
| 0 | FullAutoEn | R/W | Enable all divider battery charging modes. When automode is enabled and this bit is set, any DS port enabled for battery charging attempts all divider battery charging modes before DCP, starting with the highest current option. The bit is writable, but the value read back is the Boolean OR of this bit and the corresponding eFuse control. If either bit is set, eFuse or this register, this feature is enabled. |

8.5.20 USB 2.0 Only Port Register

图 21. Register Offset 26h

| Bit No. | 7 | 6 | 5 | 4 | 3 | 2 | 1 | 0 |
|-------------|---|---|---|---|---|---|---|---|
| Reset State | 0 | 0 | 0 | 0 | 0 | 0 | 0 | 0 |

表 24. Bit Descriptions – USB 2.0 Only Port Register

| Bit | Field | Type | Description |
|-----|----------------|-------|--|
| 7:4 | RSVD | RO | Reserved. Read only. |
| 3:0 | USB2_ONLY[3:0] | RO/RW | USB 2.0 Only Ports. The bits in this field primarily indicate whether a port is enabled only for USB 2.0 operation. This field is read-only unless customRmbl bit is set. Also, these bits overrides the corresponding USED bit. A value of 0 indicates the hub port is enabled for both USB 3.2 and USB 2.0. A value of 1 indicates the hub port is enabled only for USB 2.0 operation. |

8.5.21 Serial Number String Registers
☒ 22. Register Offset 30h-4Fh

| Bit No. | 7 | 6 | 5 | 4 | 3 | 2 | 1 | 0 |
|-------------|---|---|---|---|---|---|---|---|
| Reset State | X | X | x | x | x | x | x | x |

表 25. Bit Descriptions – Serial Number Registers

| Bit | Field | Type | Description |
|-----|-----------------|-------|--|
| 7:0 | serialNumber[n] | RO/RW | Serial Number byte N. The serial number returned in the Serial Number string descriptor at string index 1. The default value of these registers is assigned by TI. When customSernum is 1, these registers may be over-written by EEPROM contents or by an SMBus host. |

8.5.22 Manufacturer String Registers

图 23. Register Offset 50h-8Fh

| Bit No. | 7 | 6 | 5 | 4 | 3 | 2 | 1 | 0 |
|-------------|---|---|---|---|---|---|---|---|
| Reset State | 0 | 0 | 0 | 0 | 0 | 0 | 0 | 0 |

表 26. Bit Descriptions – Manufacturer String Registers

| Bit | Field | Type | Description |
|-----|------------------|------|--|
| 7:0 | mfgStringByte[n] | RW | Manufacturer string byte N. These registers provide the string values returned for string index 3 when mfgStringLen is greater than 0. The number of bytes returned in the string is equal to mfgStringLen. The programmed data should be in UNICODE UTF-16LE encodings as defined by The Unicode Standard, Worldwide Character Encoding, Version 5.0. |

8.5.23 Product String Registers

图 24. Register Offset 90h-CFh

| Bit No. | 7 | 6 | 5 | 4 | 3 | 2 | 1 | 0 |
|-------------|---|---|---|---|---|---|---|---|
| Reset State | 0 | 0 | 0 | 0 | 0 | 0 | 0 | 0 |

表 27. Bit Descriptions – Product String Byte N Register

| Bit | Field | Type | Description |
|-----|-------------------|-------|---|
| 7:0 | prodStringByte[n] | RO/RW | Product string byte N. These registers provide the string values returned for string index 2 when prodStringLen is greater than 0. The number of bytes returned in the string is equal to prodStringLen. The programmed data should be in UNICODE UTF-16LE encodings as defined by The Unicode Standard, Worldwide Character Encoding, Version 5.0. |

8.5.24 Additional Feature Configuration Register
☒ 25. Register Offset F0h

| Bit No. | 7 | 6 | 5 | 4 | 3 | 2 | 1 | 0 |
|-------------|---|---|---|---|---|---|---|---|
| Reset State | 0 | 0 | 0 | 0 | 0 | 0 | 0 | 0 |

表 28. Bit Descriptions – Additional Feature Configuration Register

| Bit | Field | Type | Description |
|-----|---------------|------|--|
| 7:5 | Reserved | RW | Reserved. This field defaults to 3'b000 and must not be changed. |
| 4 | stsOutputEn | RW | Status output enable. This field when set enables of the Status output signals, HS_UP, HS_SUSPEND, SS_UP, SS_SUSPEND. 0 = STS outputs are disabled. 1 = STS outputs are enabled. This bit may be loaded by EEPROM or over-written by a SMBUS host. |
| 3:1 | pwrnTime | RW | Power On Delay Time. When the efuse_pwrnTime field is all 0s, this field sets the delay time from the removal disable of PWRCTL to the enable of PWRCTL when transitioning battery charging modes. For example, when disabling the power on a transition from ACP to DCP Mode. The nominal timing is defined as follows: $TPWRON_EN = (pwrnTime \times 1) \times 200 \text{ ms} \quad (1)$ This field may be over-written by EEPROM contents or by an SMBus host. |
| 0 | usb3spreadDis | RW | USB3 Spread Spectrum Disable. This bit allows firmware to disable the spread spectrum function of the USB3 phy PLL. 0 = Spread spectrum function is enabled 1 = Spread spectrum function is disabled This bit may be loaded by EEPROM or over-written by a SMBUS host. |

8.5.25 SMBus Device Status and Command Register
☒ 26. Register Offset F8h

| Bit No. | 7 | 6 | 5 | 4 | 3 | 2 | 1 | 0 |
|-------------|---|---|---|---|---|---|---|---|
| Reset State | 0 | 0 | 0 | 0 | 0 | 0 | 0 | 0 |

表 29. Bit Descriptions – SMBus Device Status and Command Register

| Bit | Field | Type | Description |
|-----|-----------|------|--|
| 7:2 | RSVD | RO | Reserved. Read only, returns 0 when read. |
| 1 | smbusRst | RSU | SMBus interface reset. This bit loads the registers back to their GRSTz values. Note, that since this bit can only be set when in SMBus mode the cfgActive bit is also reset to 1. When software sets this bit it must reconfigure the registers as necessary. This bit is set by writing a 1 and is cleared by hardware on completion of the reset. A write of 0 has no effect. |
| 0 | cfgActive | RCU | Configuration active. This bit indicates that configuration of the TUSB8042A is currently active. The bit is set by hardware when the device enters the I2C or SMBus mode. The TUSB8042A shall not connect on the upstream port while this bit is 1. When in I2C mode, the bit is cleared by hardware when the TUSB8042A exits the I2C mode. When in the SMBus mode, this bit must be cleared by the SMBus host in order to exit the configuration mode and allow the upstream port to connect. The bit is cleared by a writing 1. A write of 0 has no effect. |

9 Application and Implementation

注

Information in the following applications sections is not part of the TI component specification, and TI does not warrant its accuracy or completeness. TI's customers are responsible for determining suitability of components for their purposes. Customers should validate and test their design implementation to confirm system functionality.

9.1 Application Information

The TUSB8042A is a four-port USB 3.2 x1 Gen1 compliant hub. It provides simultaneous SuperSpeed USB and high-speed/full-speed connections on the upstream port and provides SuperSpeed USB, high-speed, full-speed, or low speed connections on the downstream port. The TUSB8042A can be used in any application that needs additional USB compliant ports. For example, a specific notebook may only have two downstream USB ports. By using the TUSB8042A, the notebook can increase the downstream port count to five.

9.2 Typical Application

9.2.1 Discrete USB Hub Product

A common application for the TUSB8042A is as a self powered standalone USB hub product. The product is powered by an external 5V DC Power adapter. In this application, using a USB cable TUSB8042A upstream port is plugged into a USB Host controller. The downstream ports of the TUSB8042A are exposed to users for connecting USB hard drives, cameras, flash drives, and so forth.

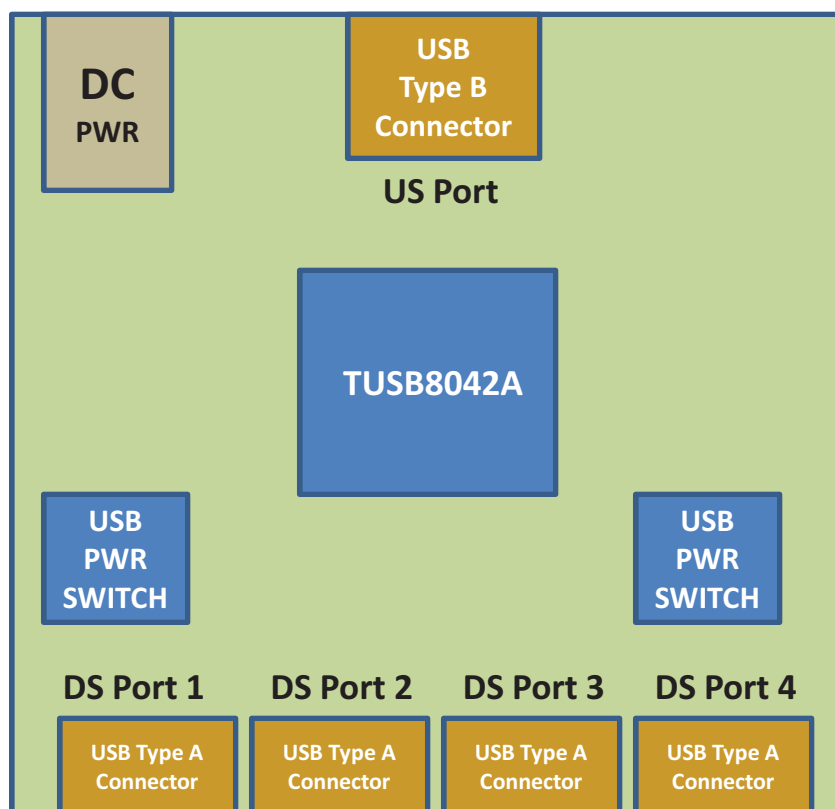


图 27. Discrete USB Hub Product

Typical Application (continued)

9.2.1.1 Design Requirements

表 30. Design Parameters

| DESIGN PARAMETER | EXAMPLE VALUE |
|---|-------------------------------|
| VDD Supply | 1.1 V |
| VDD33 Supply | 3.3 V |
| Upstream Port USB Support (SS, HS, FS) | SS, HS, FS |
| Downstream Port 1 USB Support (SS, HS, FS, LS) | SS, HS, FS, LS |
| Downstream Port 2 USB Support (SS, HS, FS, LS) | SS, HS, FS, LS |
| Downstream Port 3 USB Support (SS, HS, FS, LS) | SS, HS, FS, LS |
| Downstream Port 4 USB Support (SS, HS, FS, LS) | SS, HS, FS, LS |
| Number of Removable external exposed Downstream Ports | 4 |
| Number of Non-Removable external exposed Downstream Ports | 0 |
| Full Power Management of Downstream Ports | Yes. (FULLPWRMGMTZ = 0) |
| Individual Control of Downstream Port Power Switch | Yes. (GANGED = 0) |
| Power Switch Enable Polarity | Active High. (PWRCTL_POL = 1) |
| Battery Charge Support for Downstream Port 1 | Yes |
| Battery Charge Support for Downstream Port 2 | Yes |
| Battery Charge Support for Downstream Port 3 | Yes |
| Battery Charge Support for Downstream Port 4 | Yes |
| I2C EEPROM Support | No |
| 24MHz Clock Source | Crystal |

9.2.1.2 Detailed Design Procedure

9.2.1.2.1 Upstream Port Implementation

The upstream of the TUSB8042A is connected to a USB3 Type B connector. This particular example has GANGED pin and FULLPWRMGMTZ pin pulled low which results in individual power support each downstream port. The VBUS signal from the USB3 Type B connector is feed through a voltage divider. The purpose of the voltage divider is to make sure the level meets USB_VBUS input requirements

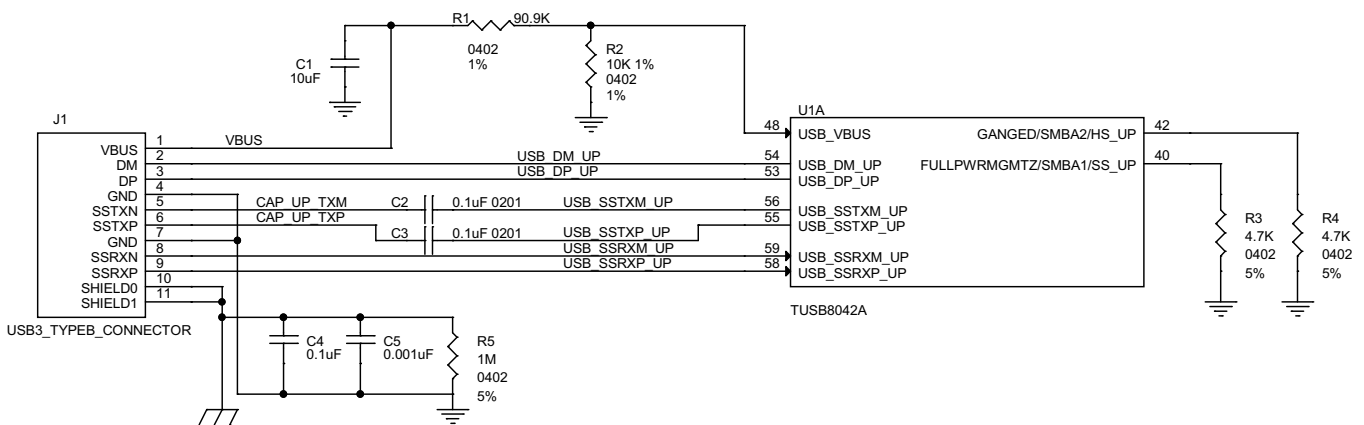
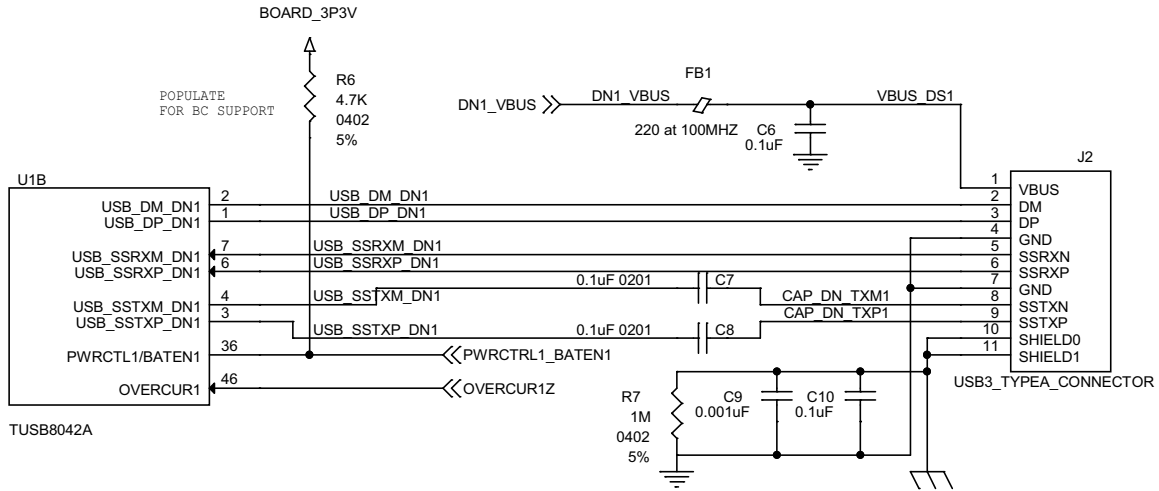


图 28. Upstream Port Implementation

9.2.1.2.2 Downstream Port 1 Implementation

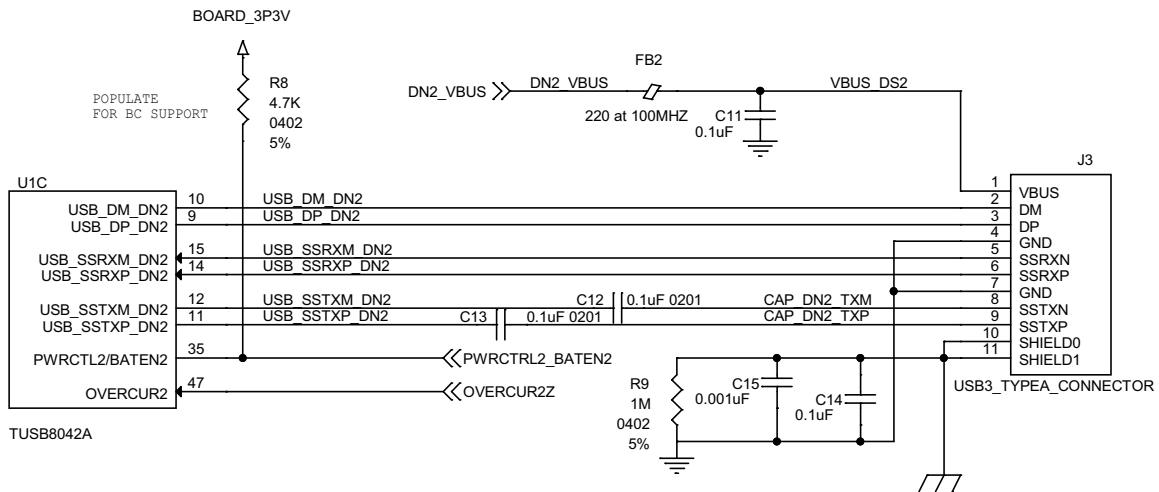
The downstream port 1 of the TUSB8042A is connected to a USB3 Type A connector. With BATEN1 pin pulled up, Battery Charge support is enabled for Port 1. If Battery Charge support is not needed, then pull-up resistor on BATEN1 should be uninstalled.



29. Downstream Port 1 Implementation

9.2.1.2.3 Downstream Port 2 Implementation

The downstream port 2 of the TUSB8042A is connected to a USB3 Type A connector. With BATEN2 pin pulled up, Battery Charge support is enabled for Port 2. If Battery Charge support is not needed, then pull-up resistor on BATEN2 should be uninstalled. For ferrite bead used on the VBUS connection, a lower resistance is recommended due to noticeable IR drop during high current charging modes. The isolation between the Type-A connectors shield ground and signal ground pins is not required. Some applications may have better ESD/EMI performance when the grounds are shorted together.



30. Downstream Port 2 Implementation

9.2.1.2.4 Downstream Port 3 Implementation

The downstream port3 of the TUSB8042A is connected to a USB3 Type A connector. With BATEN3 pin pulled up, Battery Charge support is enabled for Port 3. If Battery Charge support is not needed, then pull-up resistor on BATEN3 should be uninstalled. For ferrite bead used on the VBUS connection, a lower resistance is recommended due to noticeable IR drop during high current charging modes. The isolation between the Type-A connectors shield ground and signal ground pins is not required. Some applications may have better ESD/EMI performance when the grounds are shorted together.

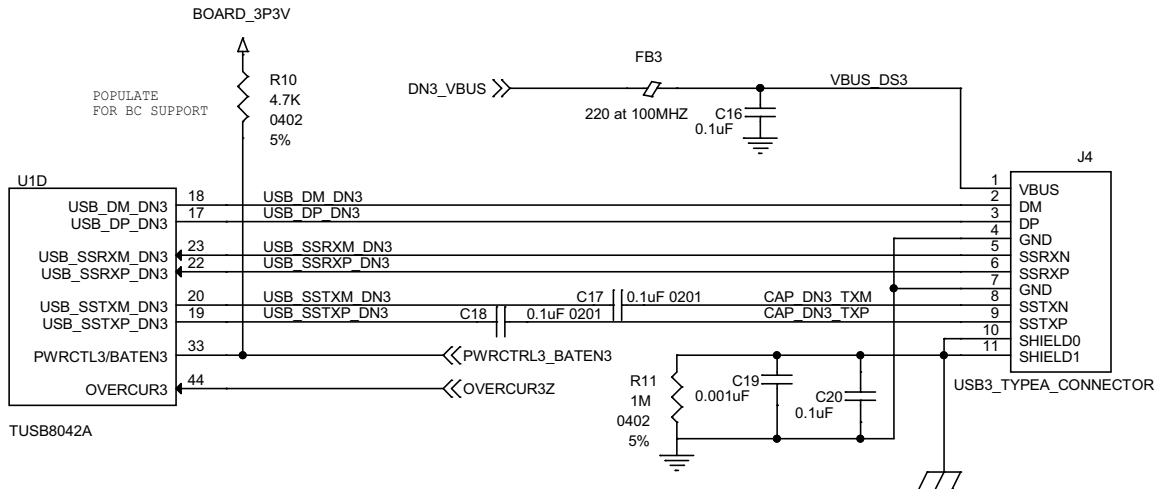


Fig 31. Downstream Port 3 Implementation

9.2.1.2.5 Downstream Port 4 Implementation

The downstream port 4 of the TUSB8042A is connected to a USB3 Type A connector. With BATEN4 pin pulled up, Battery Charge support is enabled for Port 4. If Battery Charge support is not needed, then pull-up resistor on BATEN4 should be uninstalled. For ferrite bead used on the VBUS connection, a lower resistance is recommended due to noticeable IR drop during high current charging modes. The isolation between the Type-A connectors shield ground and signal ground pins is not required. Some applications may have better ESD/EMI performance when the grounds are shorted together.

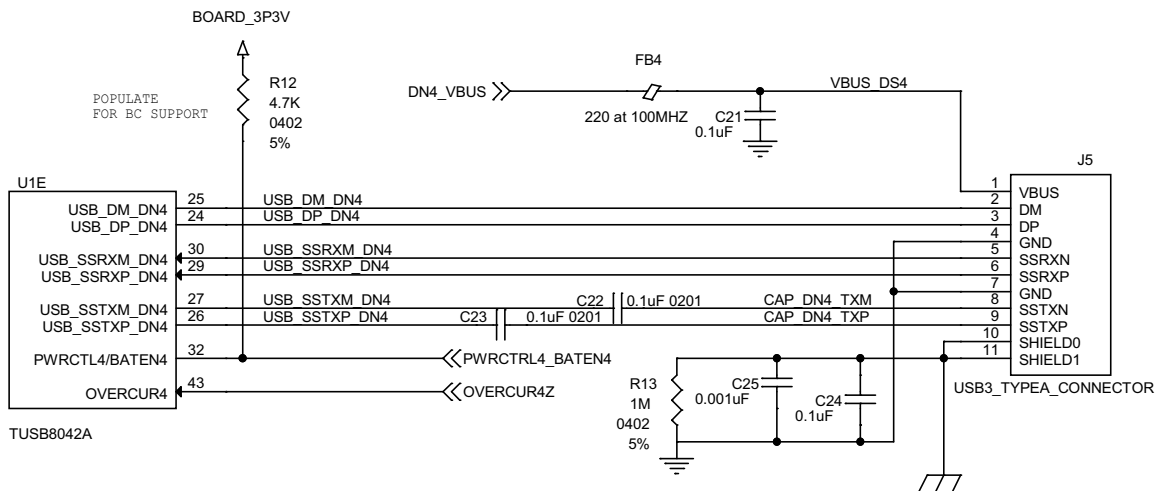
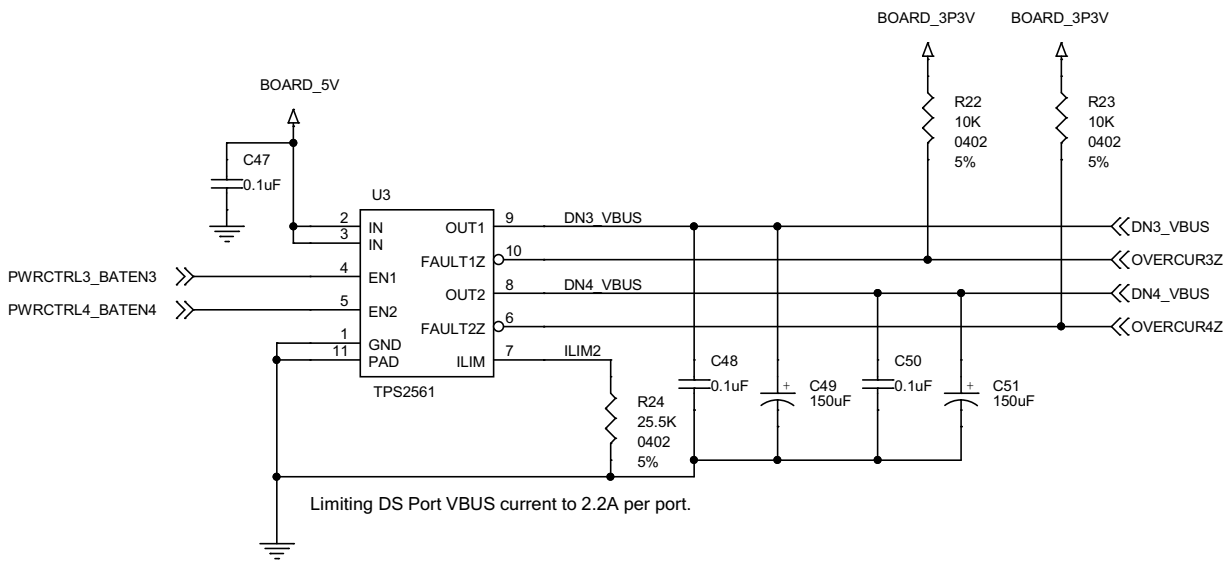
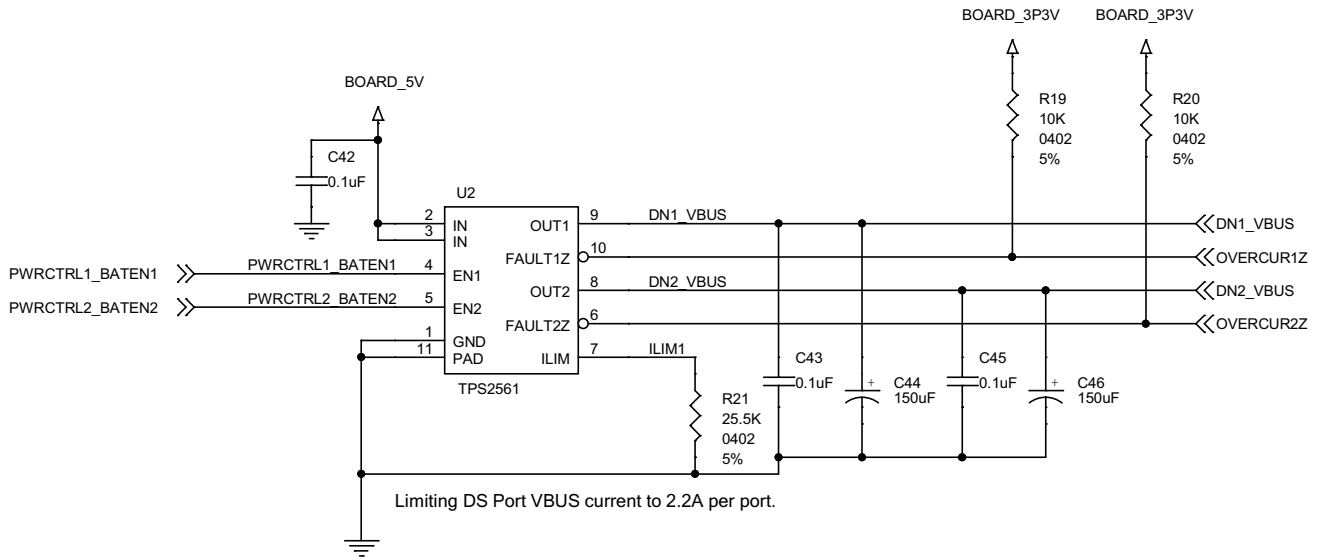


Fig 32. Downstream Port 4 Implementation

9.2.1.2.6 VBUS Power Switch Implementation

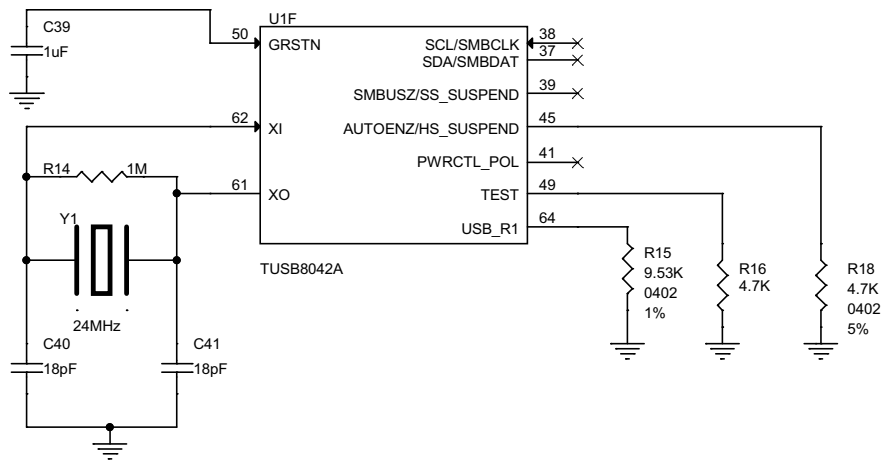
This particular example uses the Texas Instruments TPS2561 Dual Channel Precision Adjustable Current-Limited power switch. For details on this power switch or other power switches available from Texas Instruments, refer to the Texas Instruments website.



33. VBUS Power Switch Implementation

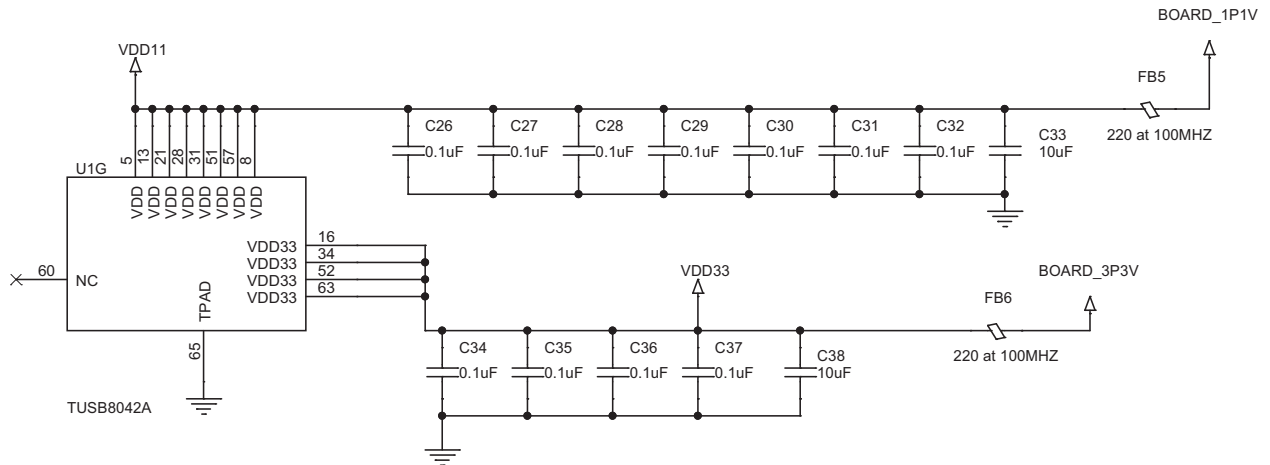
9.2.1.2.7 Clock, Reset, and Misc

The PWRCTL_POL is left unconnected which results in active high power enable (PWRCTL1, PWRCTL2, PWRCTL3, and PWRCTL4) for a USB VBUS power switch. SMBUSz pin is also left unconnected which selects I2C mode. Both PWRCTL_POL and SMBUSz pins have internal pull-ups. The 1 µF capacitor on the GRSTN pin can only be used if the VDD11 supply is stable before the VDD33 supply. The depending on the supply ramp of the two supplies the capacitor size may have to be adjusted.



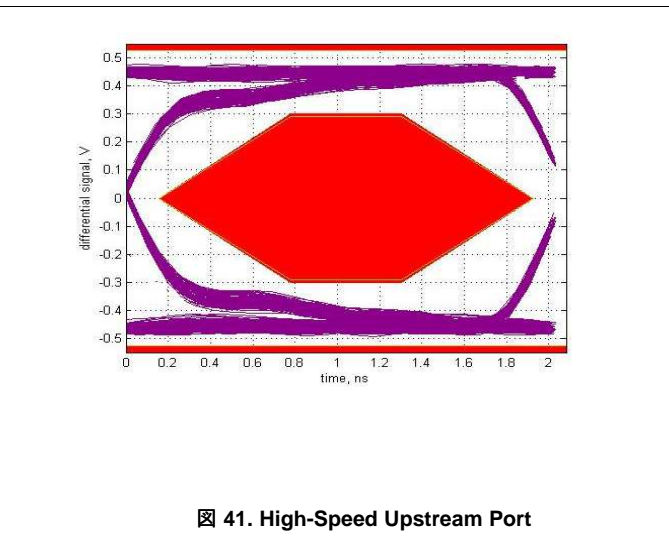
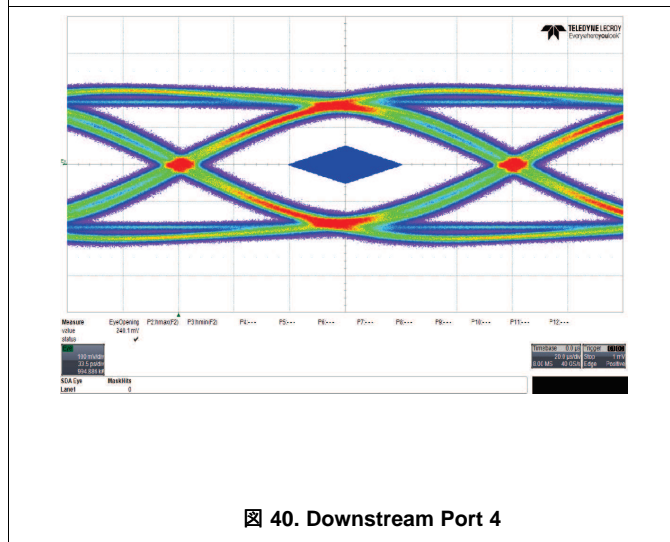
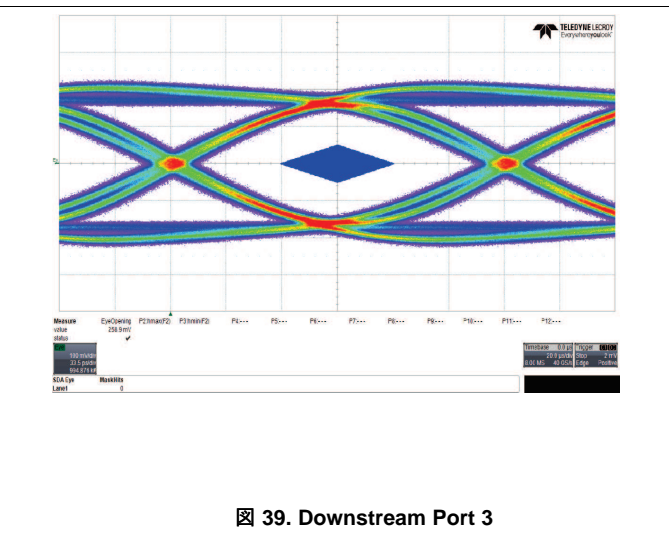
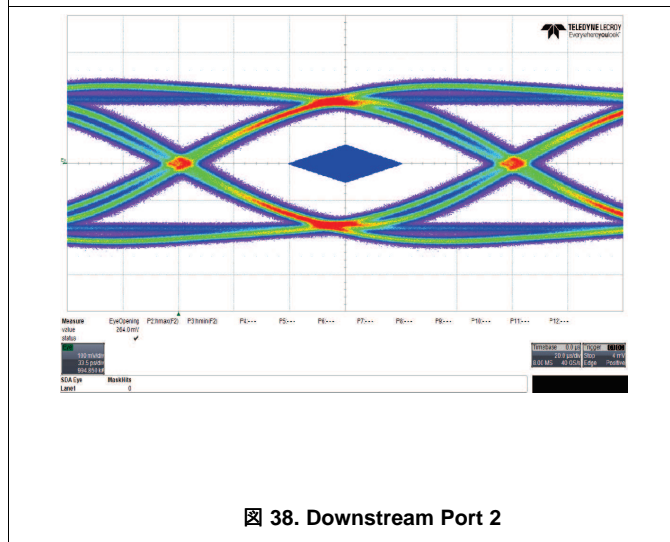
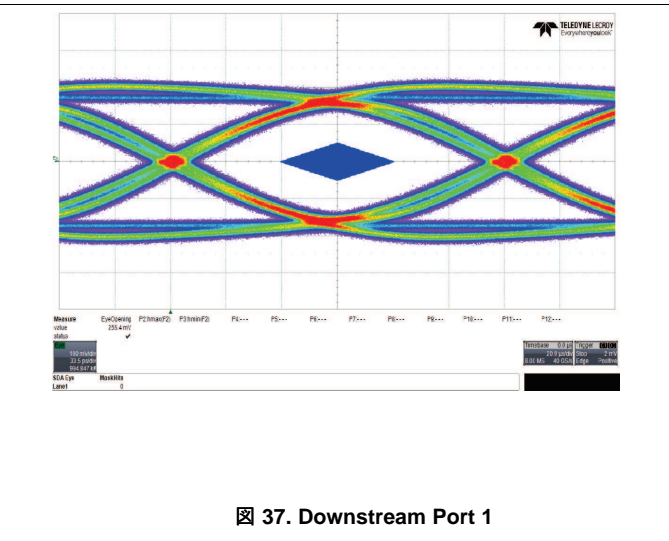
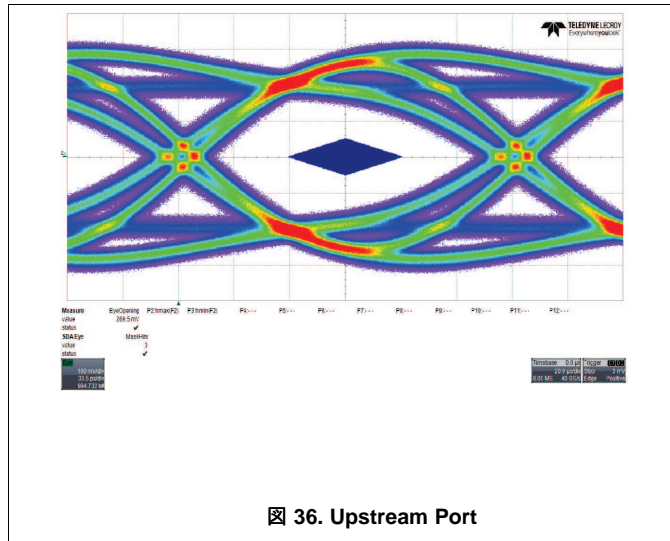
☒ 34. Clock, Reset, and Misc

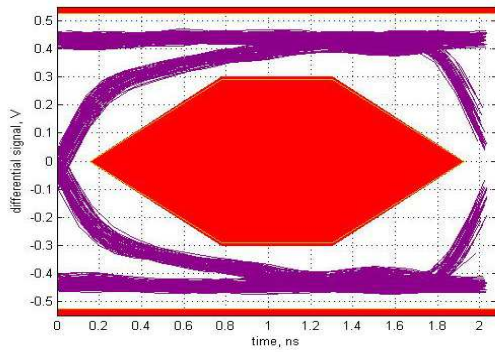
9.2.1.2.8 TUSB8042A Power Implementation



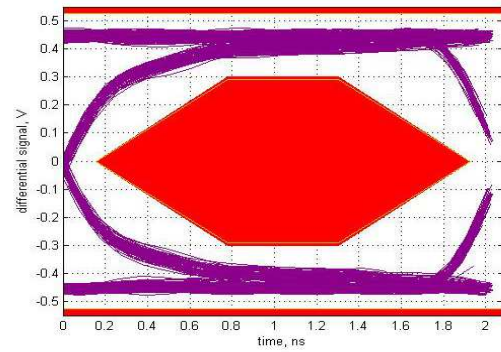
35. TUSB8042A Power Implementation

9.2.1.3 Application Curves

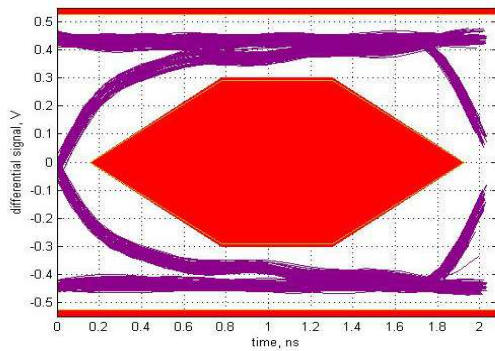




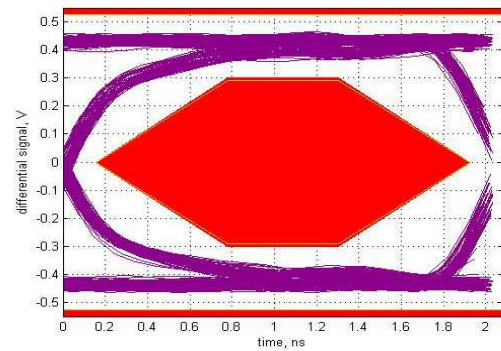
⊠ 42. High-Speed Downstream Port 1



⊠ 43. High-Speed Downstream Port 2



⊠ 44. High-Speed Downstream Port 3



⊠ 45. High-Speed Downstream Port 4

10 Power Supply Recommendations

10.1 TUSB8042A Power Supply

V_{DD} should be implemented as a single power plane, as should V_{DD33} .

- The V_{DD} pins of the TUSB8042A supply 1.1 V (nominal) power to the core of the TUSB8042A. This power rail can be isolated from all other power rails by a ferrite bead to reduce noise.
- The DC resistance of the ferrite bead on the core power rail can affect the voltage provided to the device due to the high current draw on the power rail. The output of the core voltage regulator may need to be adjusted to account for this or a ferrite bead with low DC resistance (less than 0.05 Ω) can be selected.
- The V_{DD33} pins of the TUSB8042A supply 3.3 V power rail to the I/O of the TUSB8042A. This power rail can be isolated from all other power rails by a ferrite bead to reduce noise.
- All power rails require a 10 μ F capacitor or 1 μ F capacitors for stability and noise immunity. These bulk capacitors can be placed anywhere on the power rail. The smaller decoupling capacitors should be placed as close to the TUSB8042A power pins as possible with an optimal grouping of two of differing values per pin.

10.2 Downstream Port Power

- The downstream port power, VBUS, must be supplied by a source capable of supplying 5V and up to 900 mA per port. Downstream port power switches can be controlled by the TUSB8042A signals. It is also possible to leave the downstream port power always enabled.
- A large bulk low-ESR capacitor of 22 μ F or larger is required on each downstream port's VBUS to limit in-rush current.
- The ferrite beads on the VBUS pins of the downstream USB port connections are recommended for both ESD and EMI reasons. A 0.1 μ F capacitor on the USB connector side of the ferrite provides a low impedance path to ground for fast rise time ESD current that might have coupled onto the VBUS trace from the cable.

10.3 Ground

It is recommended that only one board ground plane be used in the design. This provides the best image plane for signal traces running above the plane. The thermal pad of the TUSB8042A and any of the voltage regulators should be connected to this plane with vias. An earth or chassis ground is implemented only near the USB port connectors on a different plane for EMI and ESD purposes.

11 Layout

11.1 Layout Guidelines

11.1.1 Placement

1. 9.53K +/-1% resistor connected to pin USB_R1 should be placed as close as possible to the TUSB8042A.
2. A 0.1 μ F should be placed as close as possible on each VDD and VDD33 power pin.
3. The 100 nF capacitors on the SSTXP and SSTXM nets should be placed close to the USB connector (Type A, Type B, and so forth).
4. The ESD and EMI protection devices (if used) should also be placed as close as possible to the USB connector.
5. If a crystal is used, it must be placed as close as possible to the TUSB8042A XI and XO pins.
6. Place voltage regulators as far away as possible from the TUSB8042A, the crystal, and the differential pairs.
7. In general, the large bulk capacitors associated with each power rail should be placed as close as possible to the voltage regulators.

11.1.2 Package Specific

1. The TUSB8042A package has a 0.5-mm pin pitch.
2. The TUSB8042A package has a 6.0-mm x 6.0-mm thermal pad. This thermal pad must be connected to ground through a system of vias.
3. All vias under device, except for those connected to thermal pad, should be solder masked to avoid any potential issues with thermal pad layouts.

11.1.3 Differential Pairs

This section describes the layout recommendations for all the TUSB8042A differential pairs: USB_DP_XX, USB_DM_XX, USB_SSTXP_XX, USB_SSTXM_XX, USB_SSRXP_XX, and USB_SSRXM_XX.

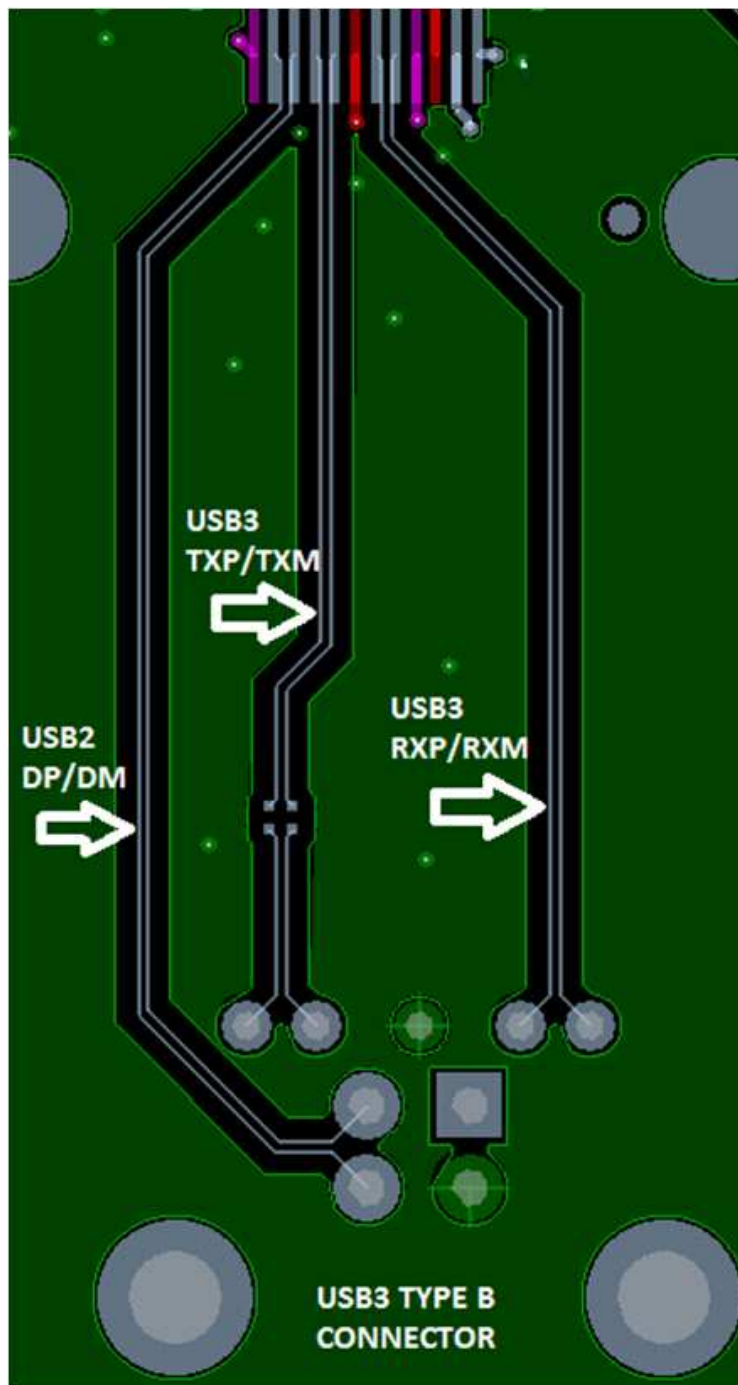
1. Must be designed with a differential impedance of $90 \Omega \pm 10\%$.
2. In order to minimize cross talk, it is recommended to keep high speed signals away from each other. Each pair should be separated by at least 5 times the signal trace width. Separating with ground as depicted in the layout example also helps minimize cross talk.
3. Route all differential pairs on the same layer adjacent to a solid ground plane.
4. Do not route differential pairs over any plane split.
5. Adding test points causes impedance discontinuity; and therefore, negative impacts signal performance. If test points are used, they should be placed in series and symmetrically. They must not be placed in a manner that causes stub on the differential pair.
6. Avoid 90 degree turns in trace. The use of bends in differential traces should be kept to a minimum. When bends are used, the number of left and right bends should be as equal as possible and the angle of the bend should be ≥ 135 degrees. This minimizes any length mismatch causes by the bends and therefore minimize the impact bends have on EMI.
7. Minimize the trace lengths of the differential pair traces. The maximum recommended trace length for SS differential pair signals and USB 2.0 differential pair signals is eight inches. Longer trace lengths require very careful routing to assure proper signal integrity.
8. Match the etch lengths of the differential pair traces (i.e. DP and DM or SSRXP and SSRXM or SSTXP and SSTXM). There should be less than 5 mils difference between a SS differential pair signal and its complement. The USB 2.0 differential pairs should not exceed 50 mils relative trace length difference.
9. The etch lengths of the differential pair groups do not need to match (i.e. the length of the SSRX pair to that of the SSTX pair), but all trace lengths should be minimized.
10. Minimize the use of vias in the differential pair paths as much as possible. If this is not practical, make sure that the same via type and placement are used for both signals in a pair. Any vias used should be placed as close as possible to the TUSB8042A device.
11. To ease routing, the polarity of the SS differential pairs can be swapped. This means that SSTXP can be routed to SSTXM or SSRXM can be routed to SSRXP.

Layout Guidelines (continued)

12. To ease routing of the USB2 DP and DM pair, the polarity of these pins can be swapped. If this is done, the appropriate Px_usb2pol register, where x = 0, 1, 2, 3, or 4, must be set.
13. Do not place power fuses across the differential pair traces.

11.2 Layout Examples

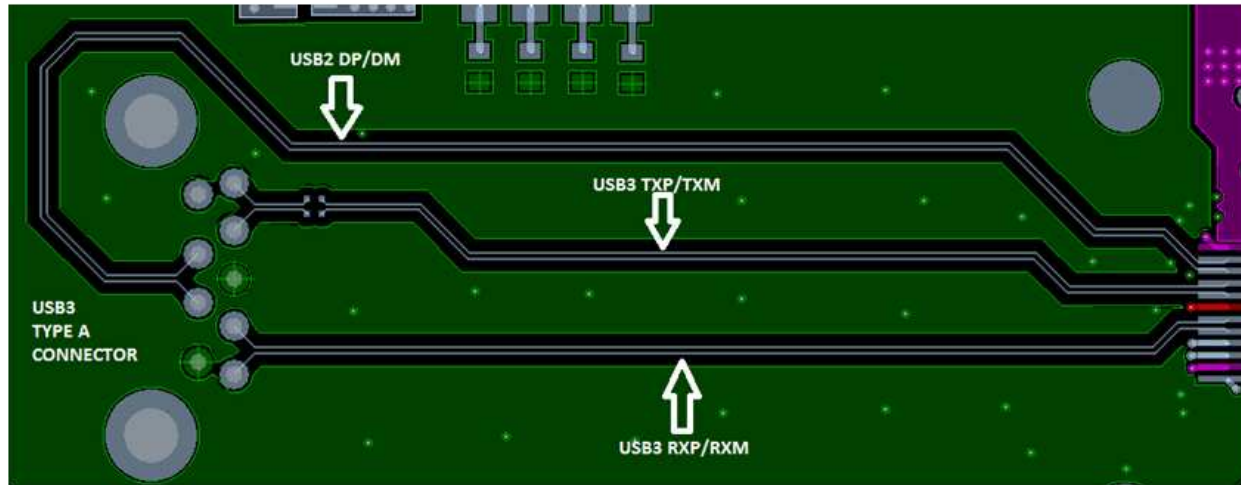
11.2.1 Upstream Port



☒ 46. Example Routing of Upstream Port

Layout Examples (continued)

11.2.2 Downstream Port



⊠ 47. Example Routing of Downstream Port

The remaining three downstream ports routing can be similar to the example provided.

12 デバイスおよびドキュメントのサポート

12.1 ドキュメントの更新通知を受け取る方法

ドキュメントの更新についての通知を受け取るには、ti.comのデバイス製品フォルダを開いてください。右上の「アラートを受け取る」をクリックして登録すると、変更されたすべての製品情報に関するダイジェストを毎週受け取れます。変更の詳細については、修正されたドキュメントに含まれている改訂履歴をご覧ください。

12.2 コミュニティ・リソース

The following links connect to TI community resources. Linked contents are provided "AS IS" by the respective contributors. They do not constitute TI specifications and do not necessarily reflect TI's views; see TI's [Terms of Use](#).

TI E2E™ Online Community *TI's Engineer-to-Engineer (E2E) Community*. Created to foster collaboration among engineers. At e2e.ti.com, you can ask questions, share knowledge, explore ideas and help solve problems with fellow engineers.

Design Support *TI's Design Support* Quickly find helpful E2E forums along with design support tools and contact information for technical support.

12.3 商標

E2E is a trademark of Texas Instruments.
All other trademarks are the property of their respective owners.

12.4 静電気放電に関する注意事項



これらのデバイスは、限定的なESD(静電破壊)保護機能を内蔵しています。保存時または取り扱い時は、MOSゲートに対する静電破壊を防止するために、リード線同士をショートさせておくか、デバイスを導電フォームに入れる必要があります。

12.5 Glossary

SLYZ022 — *TI Glossary*.

This glossary lists and explains terms, acronyms, and definitions.

13 メカニカル、パッケージ、および注文情報

以降のページには、メカニカル、パッケージ、および注文に関する情報が記載されています。これらの情報は、指定のデバイスに対して提供されている最新のデータです。このデータは予告なく変更されることがあり、ドキュメントが改訂される場合もあります。本データシートのブラウザ版を使用されている場合は、画面左側の説明をご覧ください。

重要なお知らせと免責事項

TI は、技術データと信頼性データ(データシートを含みます)、設計リソース(リファレンス・デザインを含みます)、アプリケーションや設計に関する各種アドバイス、Web ツール、安全性情報、その他のリソースを、欠陥が存在する可能性のある「現状のまま」提供しており、商品性および特定目的に対する適合性の黙示保証、第三者の知的財産権の非侵害保証を含むいかなる保証も、明示的または黙示的にかかわらず拒否します。

これらのリソースは、TI 製品を使用する設計の経験を積んだ開発者への提供を意図したものです。(1) お客様のアプリケーションに適した TI 製品の選定、(2) お客様のアプリケーションの設計、検証、試験、(3) お客様のアプリケーションが適用される各種規格や、その他のあらゆる安全性、セキュリティ、またはその他の要件を満たしていることを確実にする責任を、お客様のみが単独で負うものとします。上記の各種リソースは、予告なく変更される可能性があります。これらのリソースは、リソースで説明されている TI 製品を使用するアプリケーションの開発の目的でのみ、TI はその使用をお客様に許諾します。これらのリソースに関して、他の目的で複製することや掲載することは禁止されています。TI や第三者の知的財産権のライセンスが付与されている訳ではありません。お客様は、これらのリソースを自身で使用した結果発生するあらゆる申し立て、損害、費用、損失、責任について、TI およびその代理人を完全に補償するものとし、TI は一切の責任を拒否します。

TI の製品は、TI の販売条件 (www.tij.co.jp/ja-jp/legal/termssofsale.html)、または ti.com やかかる TI 製品の関連資料などのいずれかを通じて提供する適用可能な条項の下で提供されています。TI がこれらのリソースを提供することは、適用される TI の保証または他の保証の放棄の拡大や変更を意味するものではありません。

Copyright © 2020, Texas Instruments Incorporated
日本語版 日本テキサス・インスツルメンツ株式会社

PACKAGING INFORMATION

| Orderable Device | Status (1) | Package Type | Package Drawing | Pins | Package Qty | Eco Plan (2) | Lead finish/ Ball material (6) | MSL Peak Temp (3) | Op Temp (°C) | Device Marking (4/5) | Samples |
|------------------|---------------|--------------|-----------------|------|-------------|-----------------|--------------------------------------|----------------------|--------------|-------------------------|-------------------------|
| TUSB8042AIRGCR | ACTIVE | VQFN | RGC | 64 | 2000 | RoHS & Green | NIPDAU | Level-3-260C-168 HR | -40 to 85 | TUSB8042A | Samples |
| TUSB8042AIRGCT | ACTIVE | VQFN | RGC | 64 | 250 | RoHS & Green | NIPDAU | Level-3-260C-168 HR | -40 to 85 | TUSB8042A | Samples |
| TUSB8042ARGCR | ACTIVE | VQFN | RGC | 64 | 2000 | RoHS & Green | NIPDAU | Level-3-260C-168 HR | 0 to 70 | TUSB8042A | Samples |
| TUSB8042ARGCT | ACTIVE | VQFN | RGC | 64 | 250 | RoHS & Green | NIPDAU | Level-3-260C-168 HR | 0 to 70 | TUSB8042A | Samples |

(1) The marketing status values are defined as follows:

ACTIVE: Product device recommended for new designs.

LIFEBUY: TI has announced that the device will be discontinued, and a lifetime-buy period is in effect.

NRND: Not recommended for new designs. Device is in production to support existing customers, but TI does not recommend using this part in a new design.

PREVIEW: Device has been announced but is not in production. Samples may or may not be available.

OBSOLETE: TI has discontinued the production of the device.

(2) **RoHS:** TI defines "RoHS" to mean semiconductor products that are compliant with the current EU RoHS requirements for all 10 RoHS substances, including the requirement that RoHS substance do not exceed 0.1% by weight in homogeneous materials. Where designed to be soldered at high temperatures, "RoHS" products are suitable for use in specified lead-free processes. TI may reference these types of products as "Pb-Free".

RoHS Exempt: TI defines "RoHS Exempt" to mean products that contain lead but are compliant with EU RoHS pursuant to a specific EU RoHS exemption.

Green: TI defines "Green" to mean the content of Chlorine (Cl) and Bromine (Br) based flame retardants meet JS709B low halogen requirements of <=1000ppm threshold. Antimony trioxide based flame retardants must also meet the <=1000ppm threshold requirement.

(3) MSL, Peak Temp. - The Moisture Sensitivity Level rating according to the JEDEC industry standard classifications, and peak solder temperature.

(4) There may be additional marking, which relates to the logo, the lot trace code information, or the environmental category on the device.

(5) Multiple Device Markings will be inside parentheses. Only one Device Marking contained in parentheses and separated by a "-" will appear on a device. If a line is indented then it is a continuation of the previous line and the two combined represent the entire Device Marking for that device.

(6) Lead finish/Ball material - Orderable Devices may have multiple material finish options. Finish options are separated by a vertical ruled line. Lead finish/Ball material values may wrap to two lines if the finish value exceeds the maximum column width.

Important Information and Disclaimer: The information provided on this page represents TI's knowledge and belief as of the date that it is provided. TI bases its knowledge and belief on information provided by third parties, and makes no representation or warranty as to the accuracy of such information. Efforts are underway to better integrate information from third parties. TI has taken and

continues to take reasonable steps to provide representative and accurate information but may not have conducted destructive testing or chemical analysis on incoming materials and chemicals. TI and TI suppliers consider certain information to be proprietary, and thus CAS numbers and other limited information may not be available for release.

In no event shall TI's liability arising out of such information exceed the total purchase price of the TI part(s) at issue in this document sold by TI to Customer on an annual basis.

TAPE AND REEL INFORMATION

QUADRANT ASSIGNMENTS FOR PIN 1 ORIENTATION IN TAPE


*All dimensions are nominal

| Device | Package Type | Package Drawing | Pins | SPQ | Reel Diameter (mm) | Reel Width W1 (mm) | A0 (mm) | B0 (mm) | K0 (mm) | P1 (mm) | W (mm) | Pin1 Quadrant |
|----------------|--------------|-----------------|------|------|--------------------|--------------------|---------|---------|---------|---------|--------|---------------|
| TUSB8042AIRGCR | VQFN | RGC | 64 | 2000 | 330.0 | 16.4 | 9.3 | 9.3 | 1.1 | 12.0 | 16.0 | Q2 |
| TUSB8042AIRGCT | VQFN | RGC | 64 | 250 | 180.0 | 16.4 | 9.3 | 9.3 | 1.1 | 12.0 | 16.0 | Q2 |
| TUSB8042ARGCR | VQFN | RGC | 64 | 2000 | 330.0 | 16.4 | 9.3 | 9.3 | 1.1 | 12.0 | 16.0 | Q2 |
| TUSB8042ARGCT | VQFN | RGC | 64 | 250 | 180.0 | 16.4 | 9.3 | 9.3 | 1.1 | 12.0 | 16.0 | Q2 |

TAPE AND REEL BOX DIMENSIONS


*All dimensions are nominal

| Device | Package Type | Package Drawing | Pins | SPQ | Length (mm) | Width (mm) | Height (mm) |
|----------------|--------------|-----------------|------|------|-------------|------------|-------------|
| TUSB8042AIRGCR | VQFN | RGC | 64 | 2000 | 367.0 | 367.0 | 38.0 |
| TUSB8042AIRGCT | VQFN | RGC | 64 | 250 | 210.0 | 185.0 | 35.0 |
| TUSB8042ARGCR | VQFN | RGC | 64 | 2000 | 367.0 | 367.0 | 38.0 |
| TUSB8042ARGCT | VQFN | RGC | 64 | 250 | 210.0 | 185.0 | 35.0 |

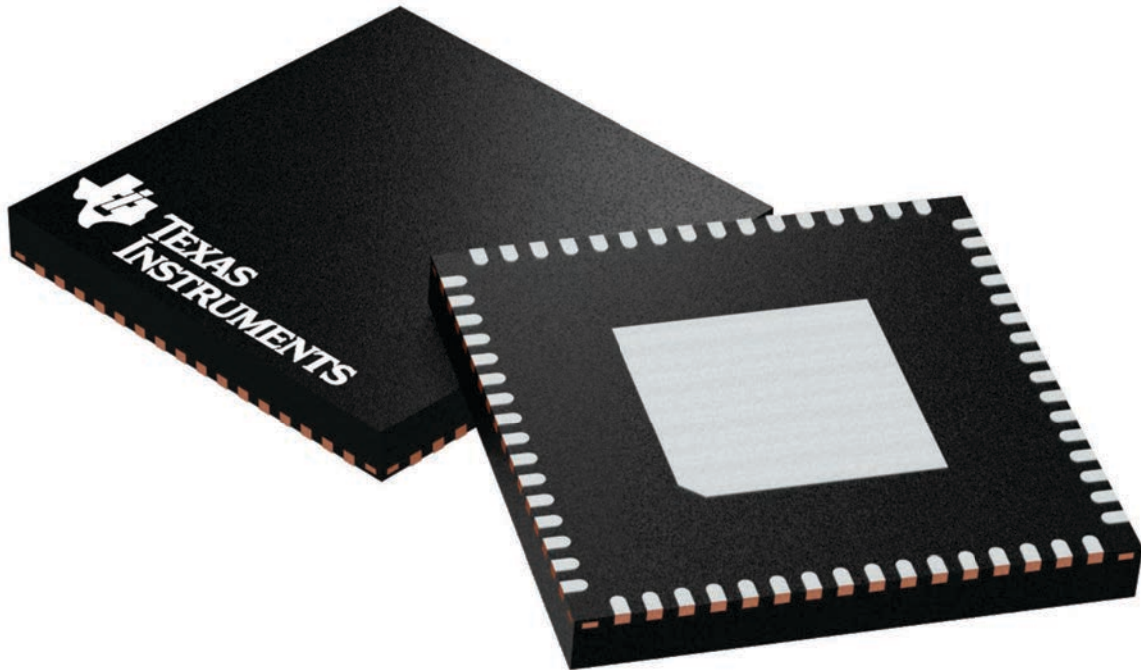
GENERIC PACKAGE VIEW

RGC 64

VQFN - 1 mm max height

9 x 9, 0.5 mm pitch

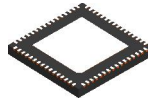
PLASTIC QUAD FLATPACK - NO LEAD



Images above are just a representation of the package family, actual package may vary.
Refer to the product data sheet for package details.

4224597/A

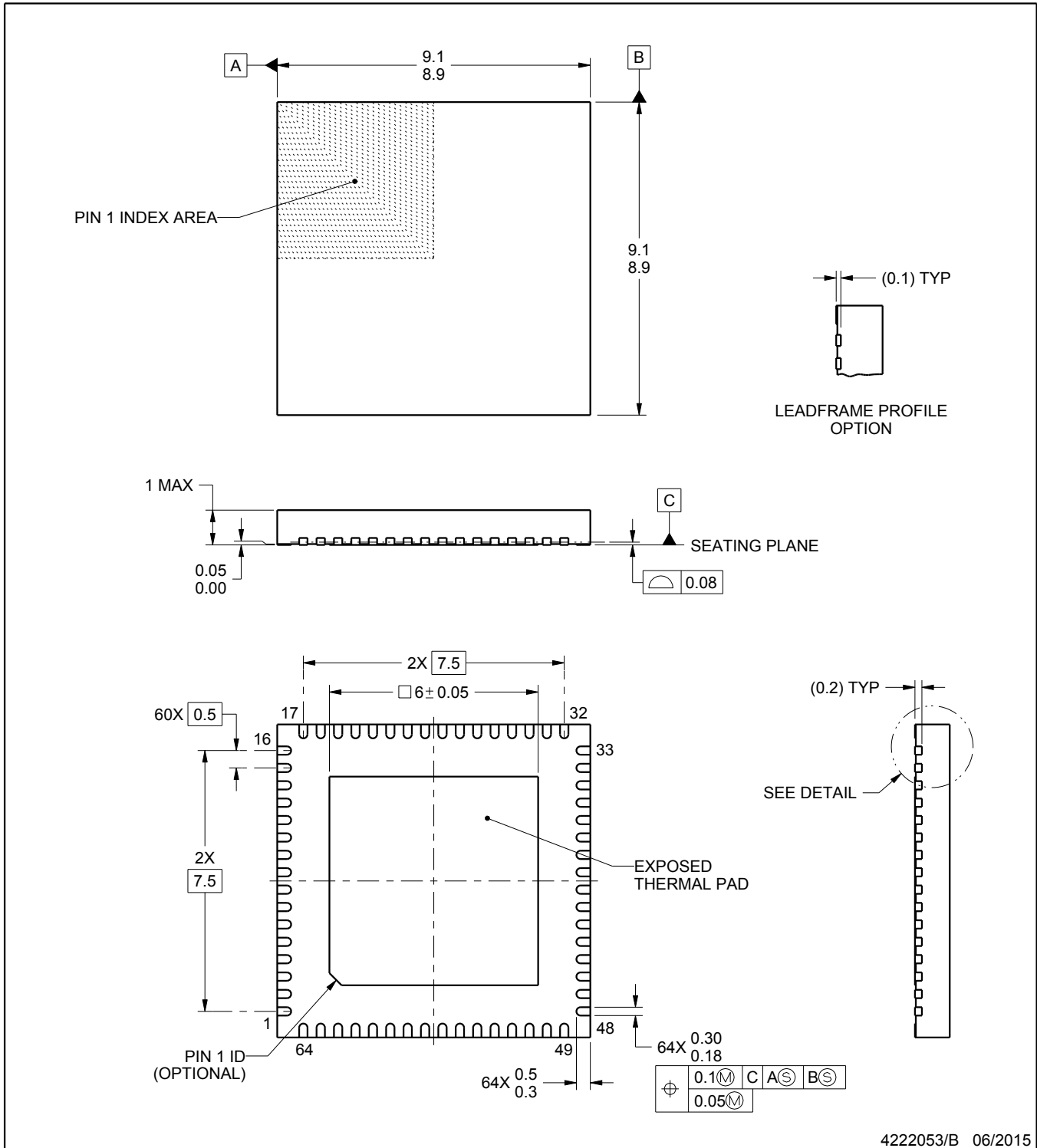
RGC0064G



PACKAGE OUTLINE

VQFN - 1 mm max height

PLASTIC QUAD FLATPACK - NO LEAD



4222053/B 06/2015

NOTES:

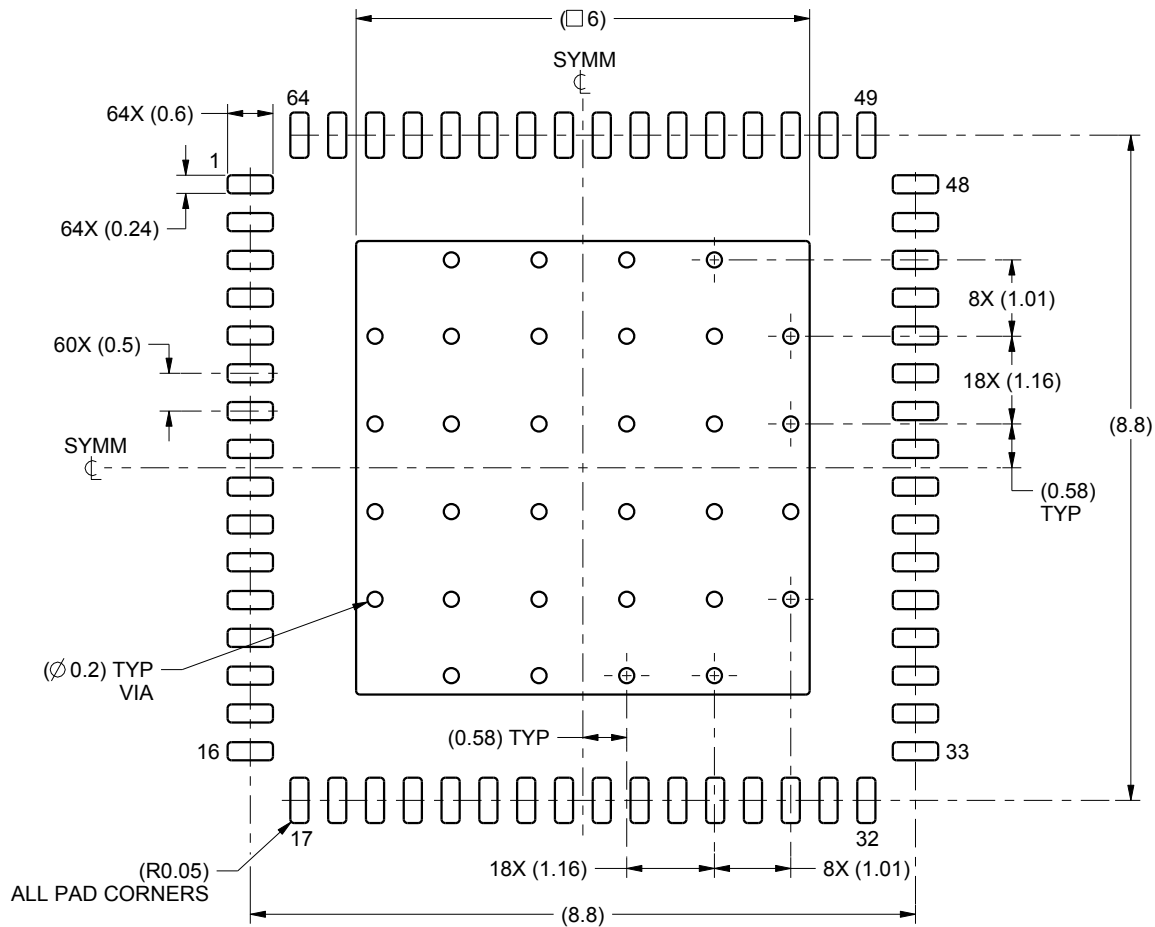
1. All linear dimensions are in millimeters. Any dimensions in parenthesis are for reference only. Dimensioning and tolerancing per ASME Y14.5M.
2. This drawing is subject to change without notice.
3. The package thermal pad must be soldered to the printed circuit board for thermal and mechanical performance.

EXAMPLE BOARD LAYOUT

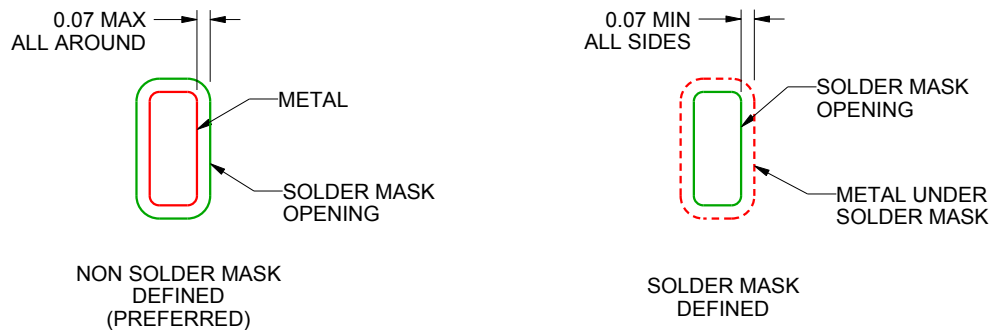
RGC0064G

VQFN - 1 mm max height

PLASTIC QUAD FLATPACK - NO LEAD



LAND PATTERN EXAMPLE
SCALE:10X



SOLDER MASK DETAILS

4222053/B 06/2015

NOTES: (continued)

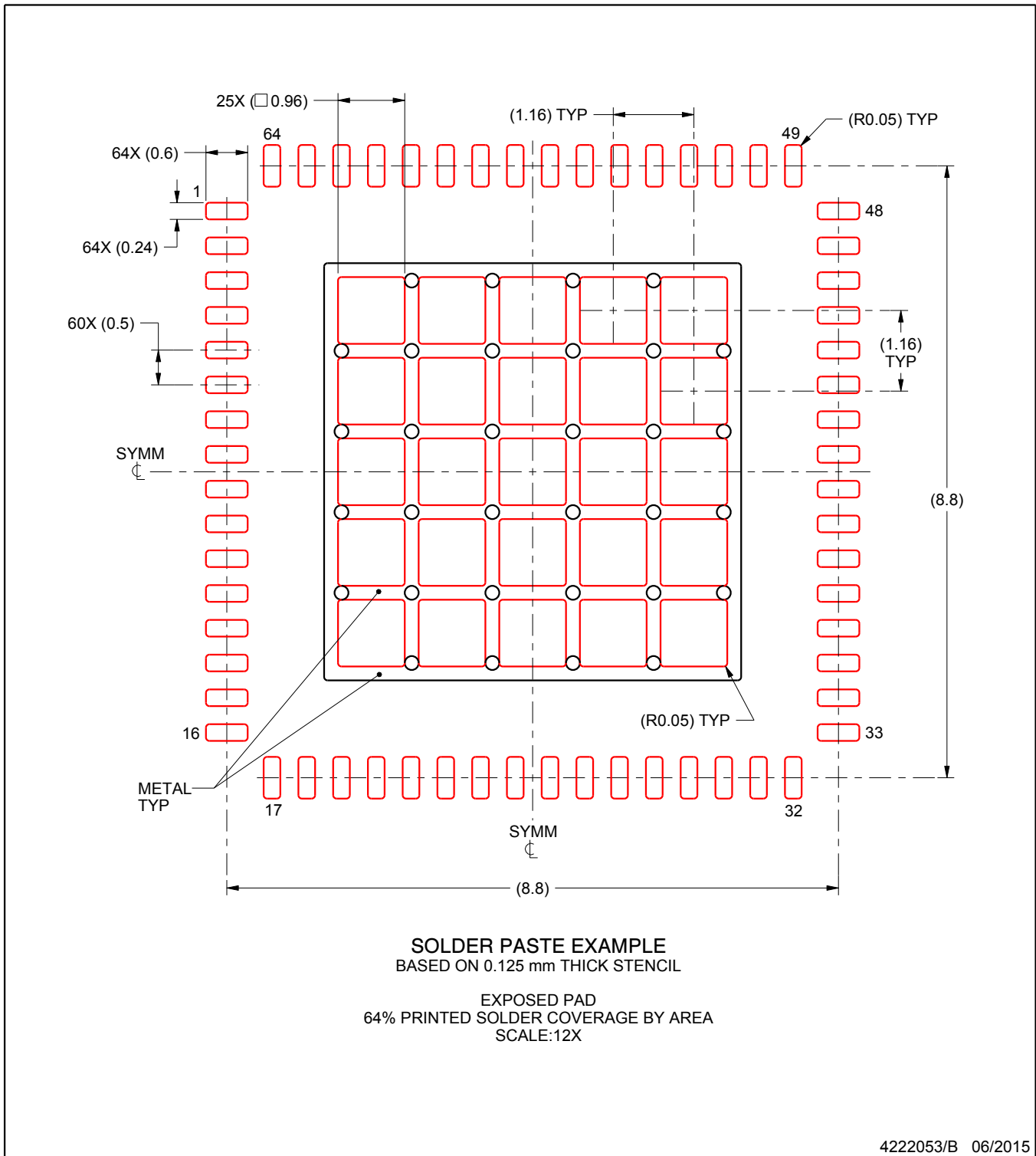
4. This package is designed to be soldered to a thermal pad on the board. For more information, see Texas Instruments literature number SLUA271 (www.ti.com/lit/slua271).

EXAMPLE STENCIL DESIGN

RGC0064G

VQFN - 1 mm max height

PLASTIC QUAD FLATPACK - NO LEAD



NOTES: (continued)

5. Laser cutting apertures with trapezoidal walls and rounded corners may offer better paste release. IPC-7525 may have alternate design recommendations.

重要なお知らせと免責事項

TI は、技術データと信頼性データ(データシートを含みます)、設計リソース(リファレンス・デザインを含みます)、アプリケーションや設計に関する各種アドバイス、Web ツール、安全性情報、その他のリソースを、欠陥が存在する可能性のある「現状のまま」提供しており、商品性および特定目的に対する適合性の黙示保証、第三者の知的財産権の非侵害保証を含むいかなる保証も、明示的または黙示的にかかわらず拒否します。

これらのリソースは、TI 製品を使用する設計の経験を積んだ開発者への提供を意図したものです。(1) お客様のアプリケーションに適した TI 製品の選定、(2) お客様のアプリケーションの設計、検証、試験、(3) お客様のアプリケーションが適用される各種規格や、その他のあらゆる安全性、セキュリティ、またはその他の要件を満たしていることを確実にする責任を、お客様のみが単独で負うものとします。上記の各種リソースは、予告なく変更される可能性があります。これらのリソースは、リソースで説明されている TI 製品を使用するアプリケーションの開発の目的でのみ、TI はその使用をお客様に許諾します。これらのリソースに関して、他の目的で複製することや掲載することは禁止されています。TI や第三者の知的財産権のライセンスが付与されている訳ではありません。お客様は、これらのリソースを自身で使用した結果発生するあらゆる申し立て、損害、費用、損失、責任について、TI およびその代理人を完全に補償するものとし、TI は一切の責任を拒否します。

TI の製品は、TI の販売条件 (www.tij.co.jp/ja-jp/legal/termsofsale.html)、または ti.com やかかる TI 製品の関連資料などのいずれかを通じて提供する適用可能な条項の下で提供されています。TI がこれらのリソースを提供することは、適用される TI の保証または他の保証の放棄の拡大や変更を意味するものではありません。

Copyright © 2020, Texas Instruments Incorporated

日本語版 日本テキサス・インスツルメンツ株式会社