

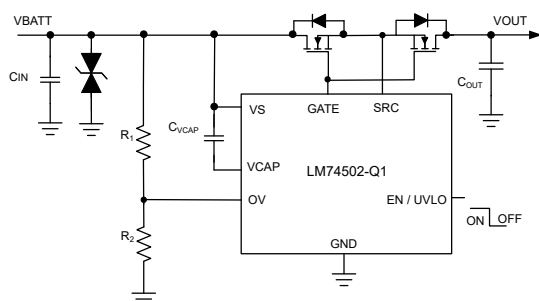
# LM74502-Q1、LM74502H-Q1 過電圧保護機能付き車載用低 IQ 逆極性保護コントローラ

## 1 特長

- 下記内容で AEC-Q100 認定済み
  - デバイス温度グレード 1:
    - 40°C~+125°Cの動作時周囲温度範囲
  - デバイス HBM ESD 分類レベル 2
  - デバイス CDM ESD 分類レベル C4B
- 3.2V~65V の入力範囲 (スタートアップ時 3.9V)
- 入力逆電圧定格:-65V
- 駆動用チャージ・ポンプを内蔵
  - 外部のバック・ツー・バック N チャンネル MOSFET
  - 外部のハイサイド・スイッチ MOSFET
  - 外部の逆極性保護 MOSFET
- ゲート駆動バリエーション
  - LM74502-Q1:ピーク・ゲート駆動ソース容量: 60μA
  - LM74502H-Q1:ピーク・ゲート駆動ソース容量: 11mA
- ピーク・ゲート・シンク電流容量:2A
- シャットダウン時電流 (EN/UVLO = Low): 1μA
- 動作時静止電流 (標準値, EN/UVLO = High): 45μA
- 可変出力過電圧および低電圧保護
- TVS ダイオードを追加することで車載用 ISO7637 パルス 1 過渡要件に適合
- 8 ピンの SOT-23 パッケージ (2.90mm × 1.60mm) で供給

## 2 アプリケーション

- ボディ・エレクトロニクスおよび照明
- 車載用インフォテインメント・システム - デジタル計器クラスタ、ヘッド・ユニット
- 車載用 USB ハブ



LM74502-Q1 の代表的なアプリケーション回路

## 3 概要

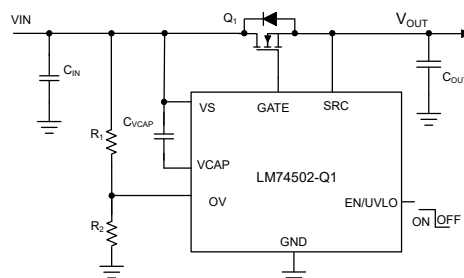
LM74502-Q1、LM74502H-Q1 は、外付けのバック・ツー・バック接続型 N チャンネル MOSFET と組み合わせることで、低損失の逆極性保護および負荷切断ソリューションとして動作する車載用 AEC-Q100 認定済みコントローラです。入力電源電圧範囲が 3.2V~65V と広いこと、12V、24V、48V の車載用バッテリー・システムも含め、多くの一般的な DC バス電圧を制御できます。3.2V の入力電圧をサポートしているため、車載用システムの厳しいコールド・クランク要件に特に適しています。このデバイスは最低 -65V の負の電源電圧に耐え、その電圧から負荷を保護できます。LM74502-Q1、LM74502H-Q1 は逆電流ブロック機能を備えていないため、車載用車体制御モジュールのモーター負荷など、入力電源にエネルギーを戻す可能性がある負荷の入力逆極性保護に適しています。

LM74502-Q1 コントローラは、外部の N チャンネル MOSFET に対してチャージ・ポンプによるゲート駆動を行います。LM74502-Q1 は電圧定格が高いため、車載用 ISO7637 保護のシステム設計が簡単になります。イネーブル・ピンを LOW にすると、コントローラはオフになり、消費電流は約 1μA に低減されます。そのため、スリープ・モードでのシステム電流を低減できます。LM74502-Q1 はプログラム可能な過電圧および低電圧保護を搭載し、これらの故障が発生した場合、入力ソースから負荷を遮断します。

### 製品情報<sup>(1)</sup>

部品番号	パッケージ	本体サイズ (公称)
LM74502-Q1 LM74502H-Q1	SOT-23 (8)	2.90mm × 1.60mm

- (1) 利用可能なパッケージについては、このデータシートの末尾にある注文情報を参照してください。



LM74502-Q1 過電圧保護機能付きロード・スイッチ・コントローラ



## Table of Contents

<b>1 特長</b> .....	<b>1</b>	<b>10 Application and Implementation</b> .....	<b>15</b>
<b>2 アプリケーション</b> .....	<b>1</b>	10.1 Application Information.....	15
<b>3 概要</b> .....	<b>1</b>	10.2 Typical Application.....	15
<b>4 Revision History</b> .....	<b>2</b>	10.3 Surge Stopper Using LM74502-Q1, LM74502H-Q1.....	20
<b>5 Device Comparison Table</b> .....	<b>3</b>	10.4 Fast Turn-On and Turn-Off High Side Switch Driver Using LM74502H-Q1.....	21
<b>6 Pin Configuration and Functions</b> .....	<b>4</b>	<b>11 Power Supply Recommendations</b> .....	<b>23</b>
<b>7 Specifications</b> .....	<b>5</b>	<b>12 Layout</b> .....	<b>23</b>
7.1 Absolute Maximum Ratings.....	5	12.1 Layout Guidelines.....	23
7.2 ESD Ratings.....	5	12.2 Layout Example.....	23
7.3 Recommended Operating Conditions.....	5	<b>13 Device and Documentation Support</b> .....	<b>24</b>
7.4 Thermal Information.....	6	13.1 Receiving Notification of Documentation Updates..	24
7.5 Electrical Characteristics.....	6	13.2 サポート・リソース.....	24
7.6 Switching Characteristics.....	7	13.3 Trademarks.....	24
7.7 Typical Characteristics.....	8	13.4 Electrostatic Discharge Caution.....	24
<b>8 Parameter Measurement Information</b> .....	<b>10</b>	13.5 Glossary.....	24
<b>9 Detailed Description</b> .....	<b>11</b>	<b>14 Mechanical, Packaging, and Orderable Information</b> .....	<b>25</b>
9.1 Overview.....	11		
9.2 Functional Block Diagram.....	11		
9.3 Feature Description.....	12		
9.4 Device Functional Modes.....	14		

## 4 Revision History

資料番号末尾の英字は改訂を表しています。その改訂履歴は英語版に準じています。

<b>Changes from Revision * (February 2022) to Revision A (May 2022)</b>	<b>Page</b>
• ステータスを「事前情報」から「量産データ」に変更.....	<b>1</b>

## 5 Device Comparison Table

Parameter	LM74502-Q1	LM74502H-Q1
Gate drive strength	60 $\mu$ A	11 mA

## 6 Pin Configuration and Functions

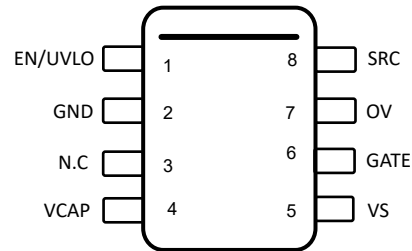


图 6-1. DDF Package 8-Pin SOT-23 LM74502-Q1, LM74502H-Q1 Top View

表 6-1. LM74502-Q1, LM74502H-Q1 Pin Functions

PIN		I/O <sup>(1)</sup>	DESCRIPTION
NO.	NAME		
1	EN/UVLO	I	EN/UVLO input. Connect to VS pin for always ON operation. Can be driven externally from a micro controller I/O. Pulling this pin low below V(ENF) makes the device enter into low Iq shutdown mode. For UVLO, connect an external resistor ladder from input supply to EN/UVLO to GND.
2	GND	G	Ground pin
3	N.C	—	No connection
4	VCAP	O	Charge pump output. Connect to external charge pump capacitor.
5	VS	I	Input power supply pin to the controller. Connect a 100-nF capacitor across VS and GND pins.
6	GATE	O	Gate drive output. Connect to gate of the external N-channel MOSFET.
7	OV	I	Adjustable overvoltage threshold input. Connect a resistor ladder across input and output. When the voltage at OV pin exceeds the overvoltage cutoff threshold, then the GATE is pulled low. GATE turns ON when the OV pin voltage goes below the OV protection falling threshold. Connect OV pin to GND if OV feature is not used.
8	SRC	I	Source pin. Connect to common source point of external back-to-back connected N-channel MOSFETs or the source pin of the high side switch MOSFET.

(1) I = Input, O = Output, G = GND

## 7 Specifications

### 7.1 Absolute Maximum Ratings

over operating free-air temperature range (unless otherwise noted)<sup>(1)</sup>

		MIN	MAX	UNIT
Input Pins	VS to GND	-65	65	V
	EN/UVLO, OV to GND, $V_{(VS)} > 0$ V	-0.3	65	V
	EN/UVLO, OV, $V_{(VS)} \leq 0$ V	$V_{(VS)}$	$(65 + V_{(VS)})$	
	SRC to GND, $V_{(VS)} \leq 0$ V		$(V_{(VS)} + 0.3)$	V
Input Pins	SRC to GND, $V_{(VS)} > 0$ V	$-(70 - V_{(VS)})$	$V_{(VS)}$	V
Output Pins	GATE to SRC	0	15	V
	VCAP to VS	-0.3	15	V
Operating junction temperature <sup>(2)</sup>		-40	150	°C
Storage temperature, $T_{stg}$		-40	150	°C

- (1) Operation outside the Absolute Maximum Ratings may cause permanent device damage. Absolute Maximum Ratings do not imply functional operation of the device at these or any other conditions beyond those listed under Recommended Operating Conditions. If used outside the Recommended Operating Conditions but within the Absolute Maximum Ratings, the device may not be fully functional, and this may affect device reliability, functionality, performance, and shorten the device lifetime.
- (2) High junction temperatures degrade operating lifetimes. Operating lifetime is de-rated for junction temperatures greater than 125°C.

### 7.2 ESD Ratings

			VALUE	UNIT	
$V_{(ESD)}$	Electrostatic discharge	Human body model (HBM), per AEC Q100-002 <sup>(1)</sup>	±2000	V	
		Charged device model (CDM), per AEC Q100-011	Corner pins (EN, VCAP, SRC, VS)		±750
			Other pins		±500

- (1) AEC Q100-002 indicates that HBM stressing shall be in accordance with the ANSI/ESDA/JEDEC JS-001 specification.

### 7.3 Recommended Operating Conditions

over operating free-air temperature range (unless otherwise noted)<sup>(1)</sup>

		MIN	NOM	MAX	UNIT
Input Pins	VS to GND	-60		60	V
	EN/UVLO, OV, SRC to GND	-60		60	
External capacitance	VS	22			nF
	VCAP to VS	0.1			µF
External MOSFET max $V_{GS}$ rating	GATE to SRC	15			V
$T_J$	Operating junction temperature range <sup>(2)</sup>	-40		150	°C

- (1) Recommended Operating Conditions are conditions under which the device is intended to be functional. For specifications and test conditions, see *electrical characteristics*.
- (2) High junction temperatures degrade operating lifetimes. Operating lifetime is de-rated for junction temperatures greater than 125°C.

## 7.4 Thermal Information

THERMAL METRIC <sup>(1)</sup>		LM74502-Q1 LM74502H-Q1	UNIT
		DDF (SOT)	
		8 PINS	
$R_{\theta JA}$	Junction-to-ambient thermal resistance	133.8	°C/W
$R_{\theta JC(top)}$	Junction-to-case (top) thermal resistance	72.6	°C/W
$R_{\theta JB}$	Junction-to-board thermal resistance	54.5	°C/W
$\Psi_{JT}$	Junction-to-top characterization parameter	4.6	°C/W
$\Psi_{JB}$	Junction-to-board characterization parameter	54.2	°C/W

(1) For more information about traditional and new thermal metrics, see the Semiconductor and IC Package Thermal Metrics application report, SPRA953.

## 7.5 Electrical Characteristics

$T_J = -40^{\circ}\text{C}$  to  $+125^{\circ}\text{C}$ ; typical values at  $T_J = 25^{\circ}\text{C}$ ,  $V_{(VS)} = 12\text{ V}$ ,  $C_{(VCAP)} = 0.1\ \mu\text{F}$ ,  $V_{(EN/UVLO)} = 3.3\text{ V}$ , over operating free-air temperature range (unless otherwise noted)

PARAMETER		TEST CONDITIONS	MIN	TYP	MAX	UNIT
<b>V<sub>S</sub> SUPPLY VOLTAGE</b>						
$V_{(VS)}$	Operating input voltage		4		60	V
$V_{(VS\_POR)}$	VS POR Rising threshold				3.9	V
	VS POR Falling threshold		2.2	2.8	3.1	V
$V_{(VS\_POR(Hys))}$	VS POR Hysteresis		0.44		0.67	V
$I_{(SHDN)}$	Shutdown Supply Current	$V_{(EN/UVLO)} = 0\text{ V}$		0.9	1.5	$\mu\text{A}$
$I_{(Q)}$	Operating Quiescent Current	$I_{GND}$		45	65	$\mu\text{A}$
$I_{(REV)}$	I(S) leakage current during input reverse polarity	$0\text{ V} \leq V_{(VS)} \leq -65\text{ V}$		100	150	$\mu\text{A}$
<b>ENABLE INPUT</b>						
$V_{(EN\_UVLOF)}$	Enable/UVLO falling threshold		1.027	1.14	1.235	V
$V_{(EN\_UVLOR)}$	Enable/UVLO rising threshold		1.16	1.24	1.32	
$V_{(ENF)}$	Enable threshold voltage for low $I_Q$ shutdown		0.32	0.64	0.94	V
$V_{(EN\_Hys)}$	Enable Hysteresis		38	90	132	mV
$I_{(EN)}$	Enable sink current	$V_{(EN/UVLO)} = 12\text{ V}$		3	5	$\mu\text{A}$
<b>GATE DRIVE</b>						
$I_{(GATE)}$	Peak source current	$V_{(GATE)} - V_{(SRC)} = 5\text{ V}$	40	60	77	$\mu\text{A}$
$I_{(GATE)}$	Peak source current	$V_{(GATE)} - V_{(SRC)} = 5\text{ V}$ , LM74502H-Q1	3	11		mA
	Peak sink current	EN/UVLO = High to Low $V_{(GATE)} - V_{(SRC)} = 5\text{ V}$		2370		mA
$RDS_{ON}$	discharge switch $RDS_{ON}$	EN/UVLO = High to Low $V_{(GATE)} - V_{(SRC)} = 100\text{ mV}$	0.4		2	$\Omega$
<b>CHARGE PUMP</b>						
$I_{(VCAP)}$	Charge Pump source current (Charge pump on)	$V_{(VCAP)} - V_{(S)} = 7\text{ V}$	162	300	600	$\mu\text{A}$
	Charge Pump sink current (Charge pump off)	$V_{(VCAP)} - V_{(S)} = 14\text{ V}$		5	10	$\mu\text{A}$
$V_{(VCAP)} - V_{(VS)}$	Charge pump voltage at $V_{(S)} = 3.2\text{ V}$	$I_{(VCAP)} \leq 30\ \mu\text{A}$	8			V
$V_{(VCAP)} - V_{(VS)}$	Charge pump turn-on voltage		10.3	11.6	13	V
$V_{(VCAP)} - V_{(VS)}$	Charge pump turn-off voltage		11	12.4	13.9	V
$V_{(VCAP)} - V_{(VS)}$	Charge Pump Enable comparator Hysteresis		0.45	0.8	1.25	V

## 7.5 Electrical Characteristics (continued)

$T_J = -40^{\circ}\text{C}$  to  $+125^{\circ}\text{C}$ ; typical values at  $T_J = 25^{\circ}\text{C}$ ,  $V_{(VS)} = 12\text{ V}$ ,  $C_{(VCAP)} = 0.1\ \mu\text{F}$ ,  $V_{(EN/UVLO)} = 3.3\text{ V}$ , over operating free-air temperature range (unless otherwise noted)

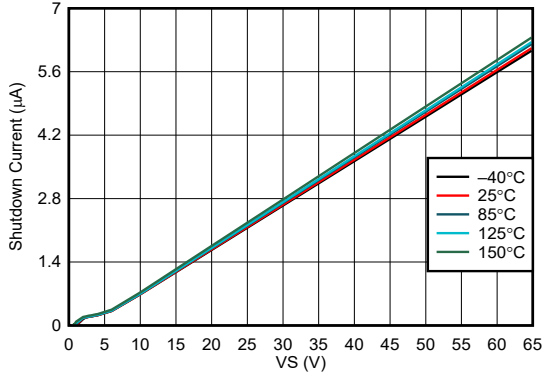
PARAMETER		TEST CONDITIONS	MIN	TYP	MAX	UNIT
$V_{(VCAP\ UVLO)}$	$V_{(VCAP)} - V_{(VS)}$ UV release at rising edge		5.7	6.5	7.5	V
$V_{(VCAP\ UVLO)}$	$V_{(VCAP)} - V_{(VS)}$ UV threshold at falling edge		5.05	5.4	6.2	V
<b>OVERVOLTAGE PROTECTION</b>						
$V_{(OVR)}$	Overvoltage threshold input, rising		1.165	1.25	1.333	V
$V_{(OVF)}$	Overvoltage threshold input, falling		1.063	1.143	1.222	V
$V_{(OV\_Hys)}$	OV Hysteresis			100		mV
$I_{(OV)}$	OV Input leakage current	$0\text{ V} < V_{(OV)} < 5\text{ V}$	12	50	110	nA

## 7.6 Switching Characteristics

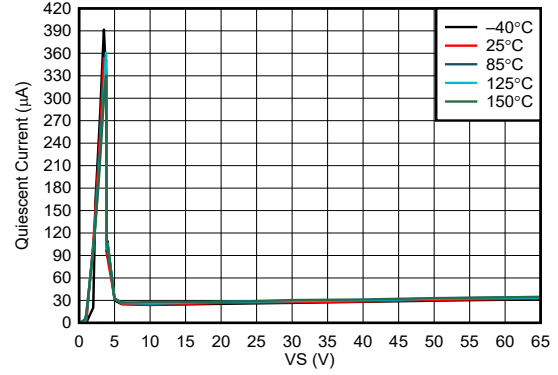
$T_J = -40^{\circ}\text{C}$  to  $+125^{\circ}\text{C}$ ; typical values at  $T_J = 25^{\circ}\text{C}$ ,  $V_{(VS)} = 12\text{ V}$ ,  $C_{IN} = C_{(VCAP)} = C_{OUT} = 0.1\ \mu\text{F}$ ,  $V_{(EN/UVLO)} = 3.3\text{ V}$ , over operating free-air temperature range (unless otherwise noted)

PARAMETER		TEST CONDITIONS	MIN	TYP	MAX	UNIT
$EN_{TDLY}$	EN high to Gate Turn-on delay	$V_{(VCAP)} > V_{(VCAP\ UVLO)}$ , $V_{(EN/UVLO)}$ step from (0 V to $> V_{(EN\ UVLO)}$ ), $V_{(GATE-SRC)} > 5\text{ V}$ , $C_{(GATE-SRC)} = 4.7\text{ nF}$ , LM74502H-Q1		75	110	$\mu\text{s}$
$t_{EN\_OFF(deg\_GATE)}$	GATE Turn-off delay during EN/UVLO	$V_{(EN/UVLO)} \downarrow$ to $V_{(GATE-SRC)} < 1\text{ V}$ , $C_{(GATE-SRC)} = 4.7\text{ nF}$		2		$\mu\text{s}$
$t_{OVP\_OFF(deg\_GATE)}$	GATE Turn-off delay during OV	$V_{(OV)} \uparrow$ to $V_{(GATE-SRC)} < 1\text{ V}$ , $C_{(GATE-SRC)} = 4.7\text{ nF}$		0.6	1	$\mu\text{s}$
$t_{OVP\_ON(deg\_GATE)}$	GATE Turn-on delay during OV	$V_{(OV)} \downarrow$ to $V_{(GATE-SRC)} > 5\text{ V}$ , $C_{(GATE-SRC)} = 4.7\text{ nF}$ , LM74502H-Q1,		5	10	$\mu\text{s}$

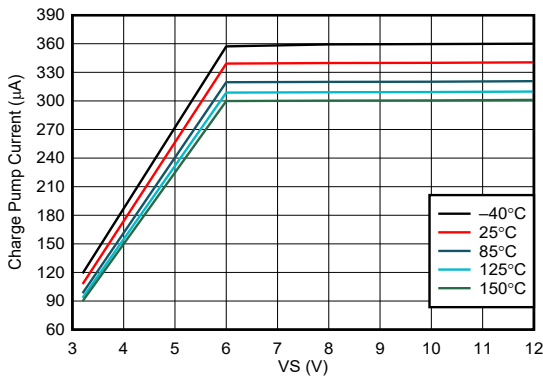
## 7.7 Typical Characteristics



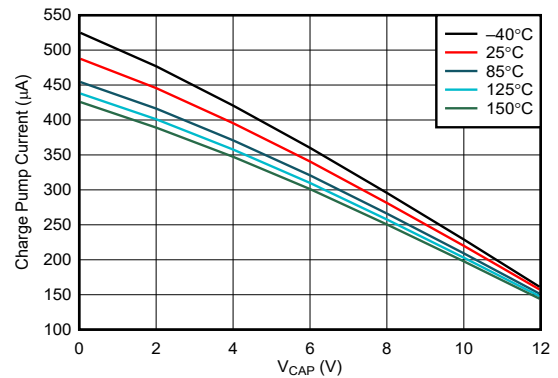
7-1. Shutdown Supply Current vs Supply Voltage



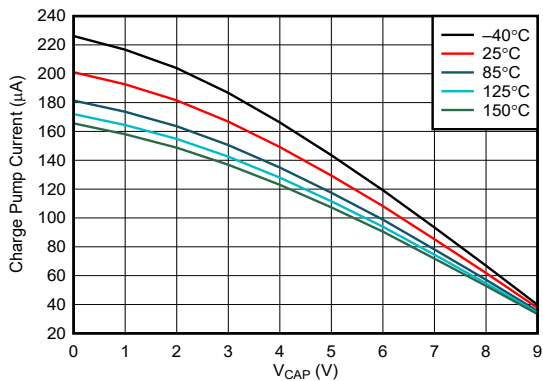
7-2. Operating Quiescent Current vs Supply Voltage



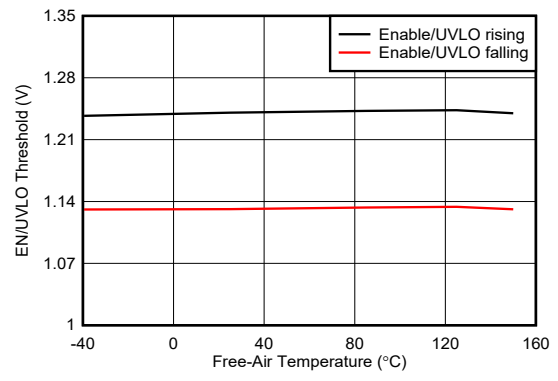
7-3. Charge Pump Current vs Supply Voltage at  $V_{CAP} = 6\text{ V}$



7-4. Charge Pump V-I Characteristics at  $V_S \geq 12\text{ V}$



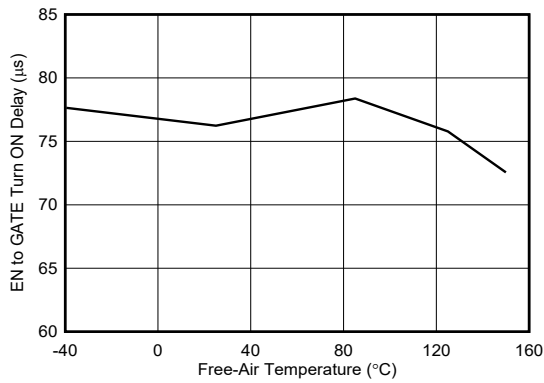
7-5. Charge Pump V-I Characteristics at  $V_S = 3.2\text{ V}$



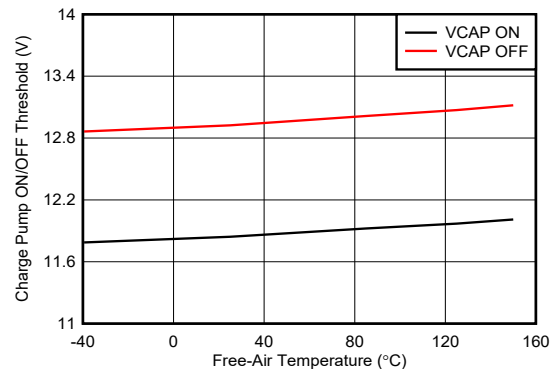
7-6. EN/UVLO Rising and Falling threshold vs Temperature



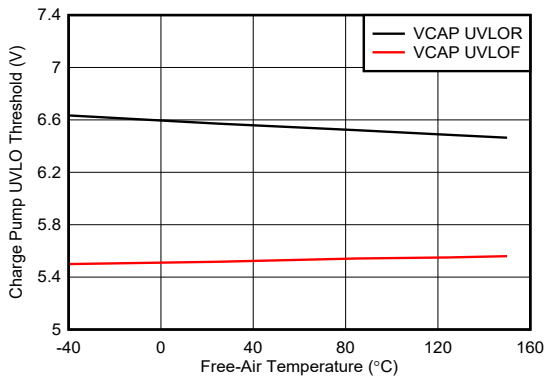
## 7.7 Typical Characteristics (continued)



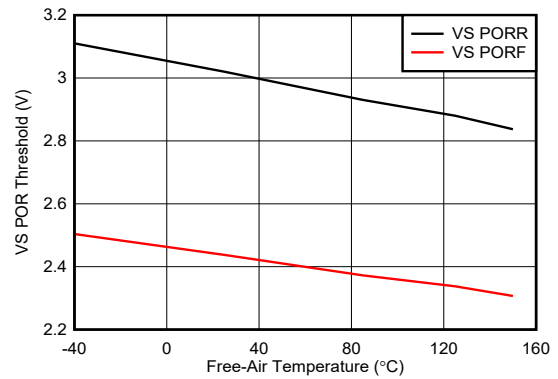
**7-7. Enable to Gate Delay vs Temperature (LM74502H-Q1)**



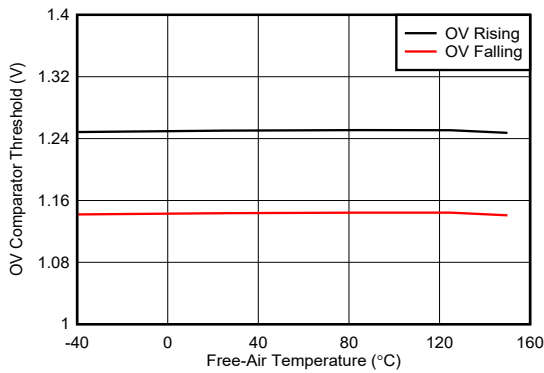
**7-8. Charge Pump ON and OFF Threshold vs Temperature**



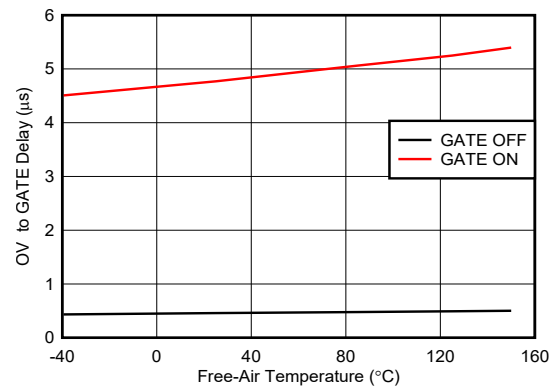
**7-9. Charge Pump UVLO Threshold vs Temperature**



**7-10. VS POR Threshold vs Temperature**

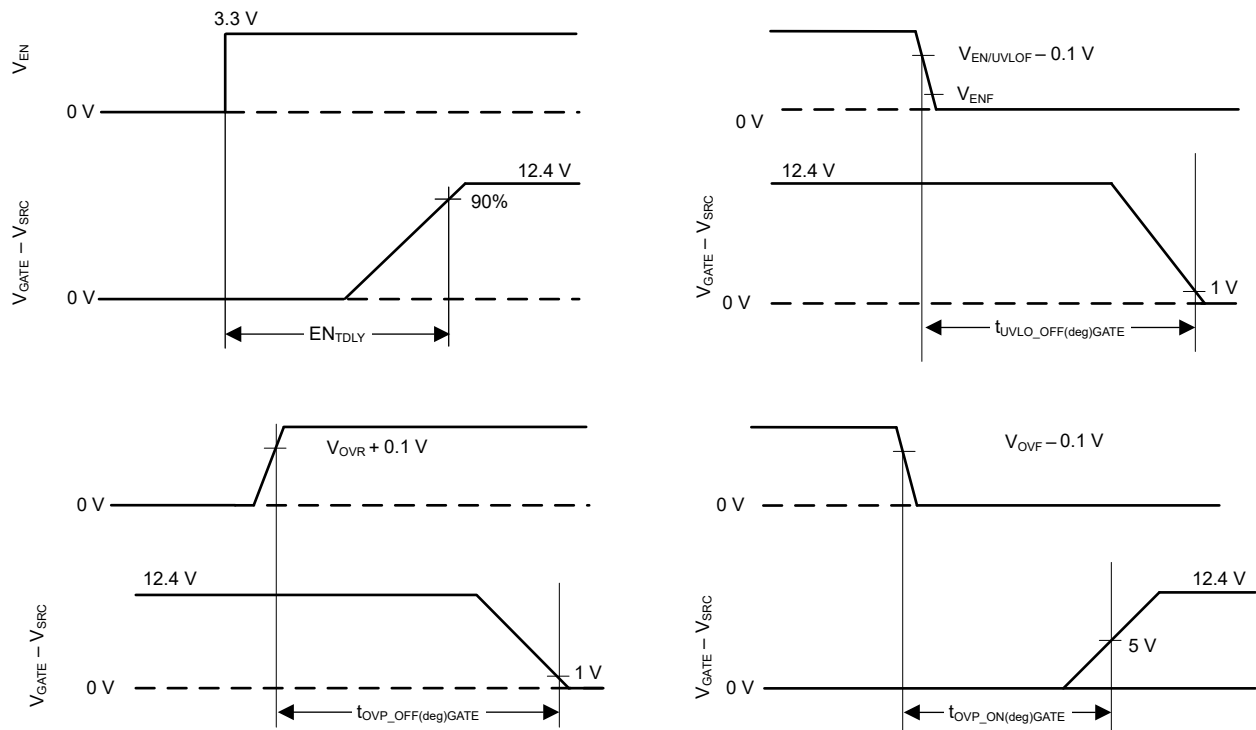


**7-11. OV Comparator Threshold vs Temperature**



**7-12. OV to GATE Delay vs Temperature (LM74502H-Q1)**

## 8 Parameter Measurement Information



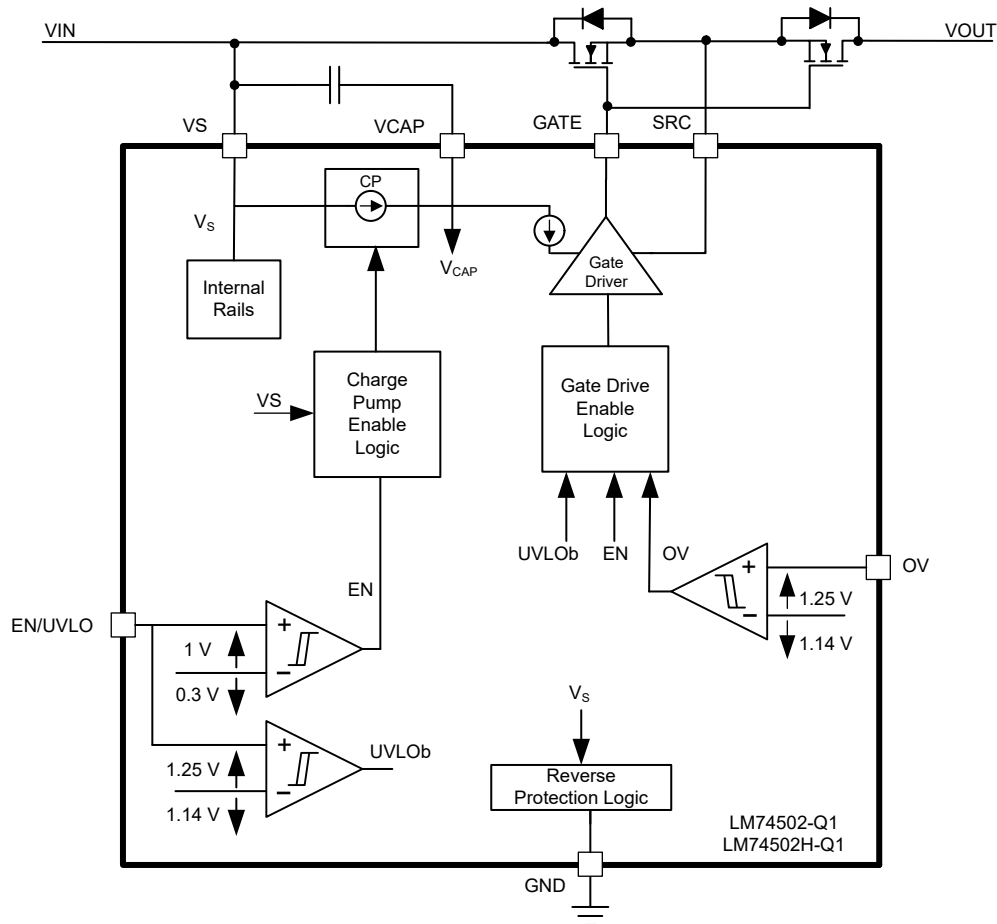
**8-1. Timing Waveforms**

## 9 Detailed Description

### 9.1 Overview

The LM74502-Q1, LM74502H-Q1 controller has all the features necessary to implement an efficient and fast reverse polarity protection circuit with load disconnect function. This easy to use reverse polarity protection controller is paired with an external back-to-back connected N-channel MOSFETs to replace other reverse polarity schemes such as a P-channel MOSFETs. The wide input supply of 4 V to 65 V allows protection and control of 12-V and 24-V automotive battery powered ECUs. The device can withstand and protect the loads from negative supply voltages down to  $-65$  V. An integrated charge pump drives external back-to-back connected N-channel MOSFETs with gate drive voltage of approximately 12.4 V to realize reverse polarity protection and load disconnect function in case of overvoltage and undervoltage event. LM74502-Q1 with its typical gate drive strength of  $60 \mu\text{A}$  provides smooth start-up with inherent inrush current control due to its lower gate drive strength. LM74502H-Q1 with its 11-mA typical peak gate drive strength is suitable for applications which need faster turn on such as load switch applications. LM74502-Q1 features an adjustable overvoltage cutoff protection feature using a programming resistor divider to OV terminal. LM74502-Q1 features enable control. With the enable pin low during the standby mode, both the external MOSFETs and controller is off and draws a very low  $1 \mu\text{A}$  of current.

### 9.2 Functional Block Diagram



## 9.3 Feature Description

### 9.3.1 Input Voltage (VS)

The VS pin is used to power the LM74502-Q1's internal circuitry, typically drawing 45  $\mu\text{A}$  when enabled and 1  $\mu\text{A}$  when disabled. If the VS pin voltage is greater than the POR Rising threshold, then LM74502-Q1 operates in either shutdown mode or conduction mode in accordance with the EN/UVLO pin voltage. The voltage from VS to GND is designed to vary from 65 V to  $-65$  V, allowing the LM74502-Q1 to withstand negative voltage transients.

### 9.3.2 Charge Pump (VCAP)

The charge pump supplies the voltage necessary to drive the external N-channel MOSFET. An external charge pump capacitor is placed between VCAP and VS pin to provide energy to turn on the external MOSFET. For the charge pump to supply current to the external capacitor the EN/UVLO pin, voltage must be above the specified input high threshold,  $V_{(EN\_IH)}$ . When enabled the charge pump sources a charging current of 300- $\mu\text{A}$  typically. If EN/UVLO pins is pulled low, then the charge pump remains disabled. To ensure that the external MOSFET can be driven above its specified threshold voltage, the VCAP to VS voltage must be above the undervoltage lockout threshold, typically 6.5 V, before the internal gate driver is enabled. Use 式 1 to calculate the initial gate driver enable delay.

$$T_{(DRV\_EN)} = 75 \mu\text{s} + C_{(VCAP)} \times \frac{V_{(VCAP\_UVLOR)}}{300 \mu\text{A}} \quad (1)$$

where

- $C_{(VCAP)}$  is the charge pump capacitance connected across VS and VCAP pins
- $V_{(VCAP\_UVLOR)} = 6.5$  V (typical)

To remove any chatter on the gate drive approximately 800 mV of hysteresis is added to the VCAP undervoltage lockout. The charge pump remains enabled until the VCAP to VS voltage reaches 12.4 V, typically, at which point the charge pump is disabled decreasing the current draw on the VS pin. The charge pump remains disabled until the VCAP to VS voltage is below to 11.6 V typically at which point the charge pump is enabled. The voltage between VCAP and VS continue to charge and discharge between 11.6 V and 12.4 V as shown in 图 9-1. By enabling and disabling the charge pump, the operating quiescent current of the LM74502-Q1 is reduced. When the charge pump is disabled it sinks 5- $\mu\text{A}$  typical.

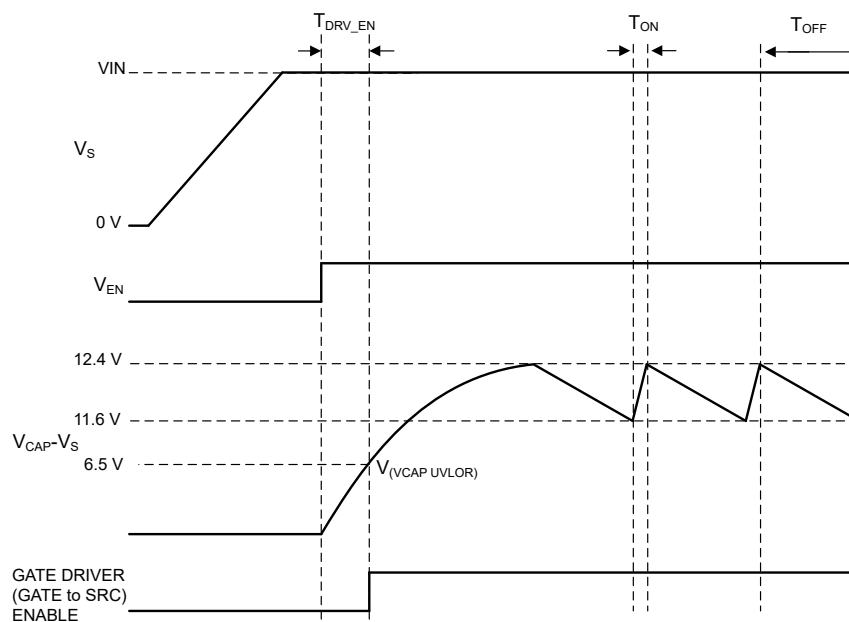


图 9-1. Charge Pump Operation

### 9.3.3 Gate Driver (GATE an SRC)

The gate driver is used to control the external N-Channel MOSFET by setting the appropriate GATE to SRC voltage.

Before the gate driver is enabled following three conditions must be achieved:

- The EN/UVLO pin voltage must be greater than the specified input high voltage.
- The VCAP to VS voltage must be greater than the undervoltage lockout voltage.
- The VS voltage must be greater than  $V_S$  POR Rising threshold.

If the above conditions are not achieved, then the GATE pin is internally connected to the SRC pin, assuring that the external MOSFET is disabled. After these conditions are achieved the gate driver operates in the conduction mode enhancing the external MOSFET completely.

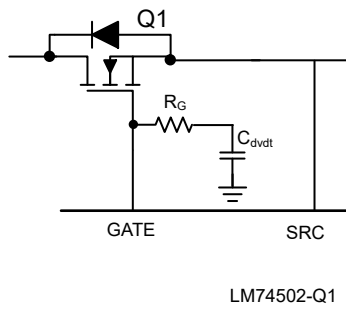
The controller offers two gate drive variants. LM74502-Q1 with typical peak gate drive strength of 60  $\mu$ A is suitable to achieve smooth start-up with inherent inrush current control due to its lower gate drive strength.

LM74502H-Q1 with its 11-mA typical peak gate drive strength is suitable for applications which need faster turn-on such as load switch applications.

LM74502-Q1, LM74502H-Q1 SRC pin is capable of handling negative voltage which also makes it suitable for load disconnect switch applications with loads which are inductive in nature.

#### 9.3.3.1 Inrush Current Control

An external circuit as shown in [Figure 9-2](#) can be added on the GATE pin of the LM74502-Q1 to have additional inrush current control for the applications which have large capacitive loads.



**Figure 9-2. Inrush Current Limiting Using LM74502-Q1**

The  $C_{dvdt}$  capacitor is required for slowing down the GATE voltage ramp during power up for inrush current limiting. Use [Equation 2](#) to calculate  $C_{dvdt}$  capacitance value.

$$C_{dvdt} = \frac{I_{GATE} \times C_{OUT}}{I_{INRUSH}} \quad (2)$$

where  $I_{GATE}$  is 60  $\mu$ A (typical),  $I_{INRUSH}$  is the inrush current and  $C_{OUT}$  is the output load capacitance. An extra resistor,  $R_G$ , in series with the  $C_{dvdt}$  capacitor acts as an isolation resistor between  $C_{dvdt}$  and gate of the MOSFET.

The inrush current control scheme shown in [Figure 9-2](#) is not applicable to LM74502H-Q1 as its gate drive is optimized for fast turn-on load switch applications.

### 9.3.4 Enable and Undervoltage Lockout (EN/UVLO)

The LM74502-Q1 has an enable pin, EN/UVLO. The enable pin allows for the gate driver to be either enabled or disabled by an external signal. If the EN/UVLO pin voltage is greater than the rising threshold, the gate driver and charge pump operates as described in [Gate Driver](#) and [Charge Pump](#) sections. If the enable pin voltage is less than the input low threshold, the charge pump and gate driver are disabled placing the LM74502-Q1 in

shutdown mode. The EN/UVLO pin can withstand a voltage as large as 65 V and as low as –65 V. This feature allows for the EN/UVLO pin to be connected directly to the VS pin if enable functionality is not needed. In conditions where EN/UVLO is left floating, the internal sink current of 3  $\mu$ A pulls EN/UVLO pin low and disables the device.

An external resistor divider connected from input to EN/UVLO to ground can be used to implement the input Undervoltage Lockout (UVLO) functionality. When EN/UVLO pin voltage is lower than UVLO comparator falling threshold ( $V_{EN/UVLO\text{R}}$ ) but higher than enable falling threshold ( $V_{EN\text{F}}$ ), the device disables gate drive voltage, however, charge pump is kept on. This action ensures quick recovery of gate drive when UVLO condition is removed. If UVLO functionality is not required, connect EN/UVLO pin to VS.

### 9.3.5 Overvoltage Protection (OV)

LM74502-Q1 provides programmable overvoltage protection feature with OV pin. A resistor divider can be connected from input source to OV pin to ground to set overvoltage threshold. An internal comparator compares the input voltage against fixed reference (1.25 V) and disables the gate drive as soon as OV pin voltage goes above the OV comparator reference. When the resistor divider is referred from input supply side, the device is configured for overvoltage cutoff functionality. When the resistor divider is referred from output side ( $V_{OUT}$ ), the device is configured for overvoltage clamp functionality.

When OV pin voltage goes above OV comparator  $V_{OVR}$  threshold (1.25-V typical), the device disables gate drive, however, charge pump remains active. When OV pin voltage falls below  $V_{OVF}$  threshold (1.14-V typical), the gate is quickly turned on as charge pump is kept on and the device does not go through the device start-up process. When OV pin is not used, it can be connected to ground.

## 9.4 Device Functional Modes

### 9.4.1 Shutdown Mode

The LM74502-Q1 enters shutdown mode when the EN/UVLO pin voltage is below the specified input low threshold  $V_{(EN\_IL)}$ . Both the gate driver and the charge pump are disabled in shutdown mode. During shutdown mode the LM74502-Q1 enters low  $I_Q$  operation with the VS pin only sinking 1  $\mu$ A.

### 9.4.2 Conduction Mode

For the LM74502-Q1, LM74502H-Q1 to operate in conduction mode the gate driver must be enabled as described in the [Gate Driver \(GATE an SRC\)](#) section. If these conditions are achieved the GATE pin is

- Internally driven through 60- $\mu$ A current source in case of LM74502-Q1
- Internally connected to the VCAP for fast turn-on of external FET in case of LM74502H-Q1

LM74502-Q1, LM74502H-Q1 gate drive is disabled when OV pin voltage is above  $V_{OVR}$  threshold or EN/UVLO pin voltage is lower than  $V_{EN/UVLO\text{F}}$  threshold.

## 10 Application and Implementation

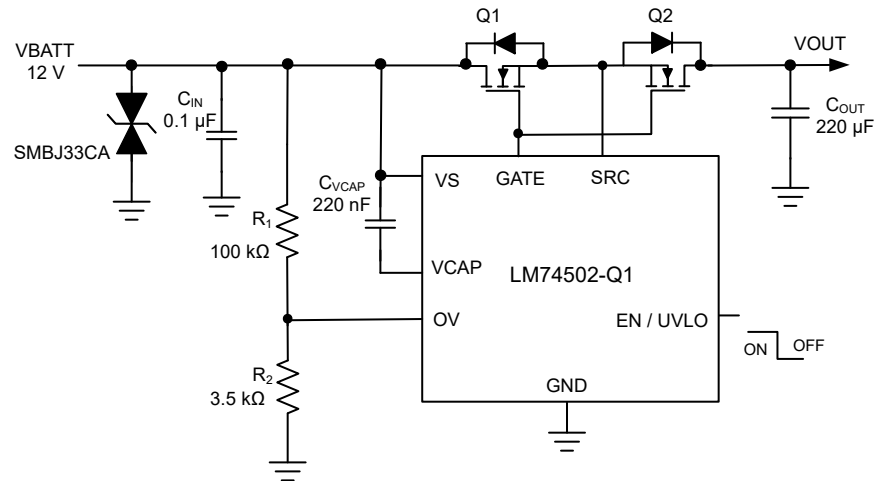
### Note

Information in the following applications sections is not part of the TI component specification, and TI does not warrant its accuracy or completeness. TI's customers are responsible for determining suitability of components for their purposes, as well as validating and testing their design implementation to confirm system functionality.

### 10.1 Application Information

The LM74502-Q1 is used with N-Channel MOSFET controller in a typical reverse polarity protection application. The schematic for the 12-V battery protection application is shown in [Figure 10-1](#) where the LM74502-Q1 is used to drive back-to-back connected MOSFETs Q1 and Q2 in series with a battery to realize reverse polarity protection and load disconnect solution. The TVS is not required for the LM74502-Q1 to operate, but they are used to clamp the positive and negative voltage surges. TI recommends the output capacitor  $C_{OUT}$  to protect the immediate output voltage collapse as a result of line disturbance.

### 10.2 Typical Application



**Figure 10-1. Typical Application Circuit**

#### 10.2.1 Design Requirements

[Table 10-1](#) list design examples with system design parameters.

**Table 10-1. Design Parameters**

DESIGN PARAMETER	EXAMPLE VALUE
Input voltage range	12-V battery, 12-V nominal with 3.2-V cold crank and 35-V load dump
Output voltage	3.2 V during cold crank to 35-V load dump
Output current range	3-A nominal, 5-A maximum
Output capacitance	220-μF typical output capacitance
Overvoltage Protection	37-V typical
Automotive EMC compliance	ISO 7637-2 and ISO 16750-2

## 10.2.2 Detailed Design Procedure

### 10.2.2.1 Design Considerations

- Input operating voltage range, including overvoltage conditions
- Nominal load current and maximum load current

### 10.2.2.2 MOSFET Selection

The important MOSFET electrical parameters are the maximum continuous drain current,  $I_D$ , the maximum drain-to-source voltage,  $V_{DS(MAX)}$ , the maximum source current through body diode, and the drain-to-source On resistance,  $R_{DS(ON)}$ .

The maximum continuous drain current,  $I_D$ , rating must exceed the maximum continuous load current. The maximum drain-to-source voltage,  $V_{DS(MAX)}$ , must be high enough to withstand the highest differential voltage seen in the application. This requirement includes any anticipated fault conditions. TI recommends to use MOSFETs with voltage rating up to 60-V maximum with the LM74502-Q1 because SOURCE pin maximum voltage rating is 65 V. The maximum  $V_{GS}$  LM74502-Q1 can drive is 13.9 V, so a MOSFET with 15-V minimum  $V_{GS}$  rating must be selected. If a MOSFET with  $V_{GS}$  rating < 15 V is selected, a Zener diode can be used to clamp  $V_{GS}$  to safe level.

To reduce the MOSFET conduction losses, lowest possible  $R_{DS(ON)}$  is preferred. Selecting a MOSFET with  $R_{DS(ON)}$  that gives VDS drop 20 mV to 50 mV at full load provides good trade off in terms of power dissipation and cost.

Thermal resistance of the MOSFET must be considered against the expected maximum power dissipation in the MOSFET to ensure that the junction temperature ( $T_J$ ) is well controlled.

### 10.2.2.3 Overvoltage Protection

Resistors R1 and R2 connected in series is used to program the overvoltage threshold. Connecting R1 to VIN provides overvoltage cutoff and switching the connection to VOUT provides overvoltage clamp response. The resistor values required for setting the overvoltage threshold  $V_{OV}$  to 37 V are calculated by solving [式 3](#)

$$V_{OVR} = \frac{R_2 \times V_{OV}}{R_1 + R_2} \quad (3)$$

For minimizing the input current drawn from the supply through resistors R1 and R2, TI recommends to use higher value of resistance. Using high value resistors adds error in the calculations because the current through the resistors at higher value becomes comparable to the leakage current into the OV pin. Select  $(R_1 + R_2)$  such that current through resistors is around 100 times higher than the leakage through OV pin. Based on the device electrical characteristics,  $V_{OVR}$  is 1.25 V, select  $(R_1) = 100 \text{ k}\Omega$  and  $R_2 = 3.5 \text{ k}\Omega$  as a standard resistor value to set overvoltage cutoff of 37 V.

Based on application use case, overvoltage threshold can be set at the lower voltage as it enables lower rated downstream components, thus providing solution size and lower cost benefit.

### 10.2.2.4 Charge Pump VCAP, Input and Output Capacitance

Minimum required capacitance for charge pump VCAP and input and output capacitance are:

- VCAP: Minimum recommended value of VCAP ( $\mu\text{F}$ )  $\geq 10 \times C_{ISS(MOSFET\_effective)}$  ( $\mu\text{F}$ ),  
 $C_{VCAP}$  of 0.22  $\mu\text{F}$  is selected
- $C_{IN}$ : Typical input capacitor of 0.1  $\mu\text{F}$
- $C_{OUT}$ : Typical output capacitor 220  $\mu\text{F}$

## 10.2.3 Selection of TVS Diodes for 12-V Battery Protection Applications

TVS diodes are used in automotive systems for protection against transients. In the 12-V battery protection application circuit shown in [图 10-1](#), a bi-directional TVS diode is used to protect from positive and negative



transient voltages that occur during normal operation of the car and these transient voltage levels and pulses are specified in ISO 7637-2 and ISO 16750-2 standards.

The two important specifications of the TVS are breakdown voltage and clamping voltage. Breakdown voltage is the voltage at which the TVS diode goes into avalanche similar to a Zener diode and is specified at a low current value typical 1 mA and the breakdown voltage must be higher than worst case steady state voltages seen in the system. The breakdown voltage of the TVS+ must be higher than 24-V jump start voltage and 35-V suppressed load dump voltage and less than the maximum input voltage rating of LM74502-Q1 (65 V). The breakdown voltage of TVS– must be higher than maximum reverse battery voltage –16 V, so that the TVS– is not damaged due to long time exposure to reverse connected battery.

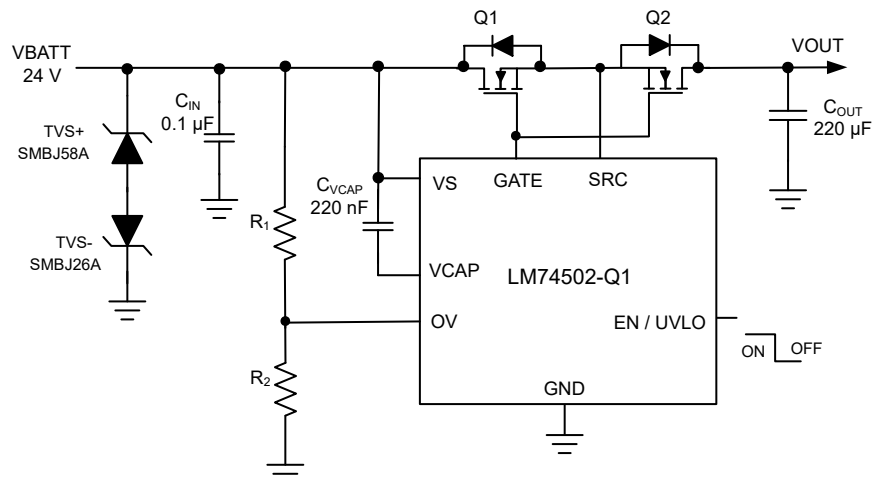
Clamping voltage is the voltage the TVS diode clamps in high current pulse situations and this voltage is much higher than the breakdown voltage. TVS diodes are meant to clamp transient pulses and must not interfere with steady state operation. In the case of an ISO 7637-2 pulse 1, the input voltage goes up to –150 V with a generator impedance of 10 Ω. This action translates to 15 A flowing through the TVS– and the voltage across the TVS is close to its clamping voltage.

The next criterion is that the absolute minimum rating of source voltage of the LM74502-Q1 (–65 V) and the maximum  $V_{DS}$  rating MOSFET are not exceeded. In the design example, 60-V rated MOSFET is chosen.

SMBJ series of TVS' are rated up to 600-W peak pulse power levels. This rating is sufficient for ISO 7637-2 pulses and suppressed load dump (ISO-16750-2 pulse B).

#### 10.2.4 Selection of TVS Diodes and MOSFET for 24-V Battery Protection Applications

Typical 24-V battery protection application circuit shown in [10-2](#) uses two uni-directional TVS diodes to protect from positive and negative transient voltages.



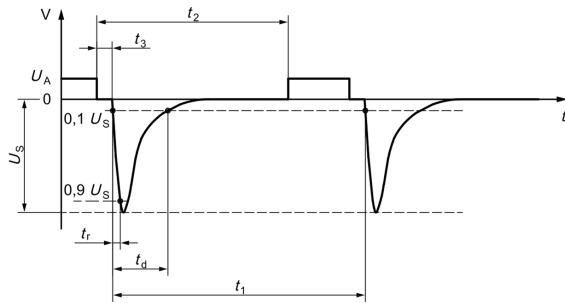
**10-2. Typical 24-V Battery Protection with Two Uni-Directional TVS**

The breakdown voltage of the TVS+ must be higher than 48-V jump start voltage, less than the absolute maximum ratings of source and enable pin of LM74502-Q1 (65 V) and must withstand 65-V suppressed load dump. The breakdown voltage of TVS– must be lower than maximum reverse battery voltage –32 V, so that the TVS– is not damaged due to long time exposure to reverse connected battery.

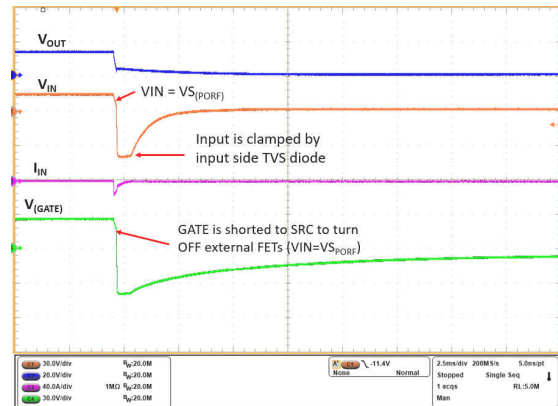
During ISO 7637-2 pulse 1, the input voltage goes up to –600 V with a generator impedance of 50 Ω. Single bi-directional TVS cannot be used for 24-V battery protection because breakdown voltage for TVS+  $\geq 48$  V, maximum negative clamping voltage is  $\leq -65$  V. Two uni-directional TVS connected back-to-back must be used at the input. For positive side TVS+, TI recommends SMBJ58A with the breakdown voltage of 64.4 V (minimum), 67.8 (typical). For the negative side TVS–, TI recommends SMBJ26A with breakdown voltage close to 32 V (to withstand maximum reverse battery voltage –32 V) and maximum clamping voltage of 42 V.

For 24-V battery protection, TI recommends a 75-V rated MOSFET to be used along with SMBJ26A and SMBJ58A connected back-to-back at the input.

### 10.2.5 Application Curves

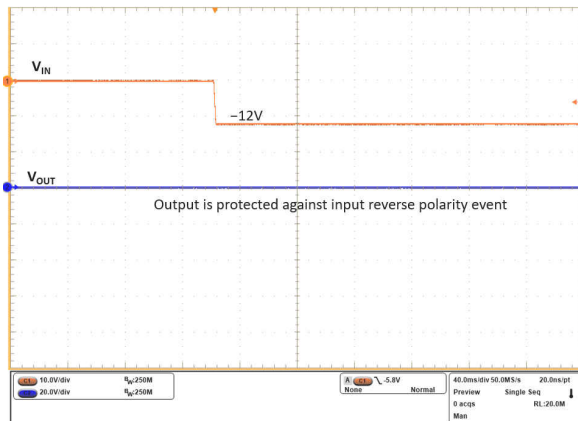


**10-3. ISO 7637-2 Pulse 1**



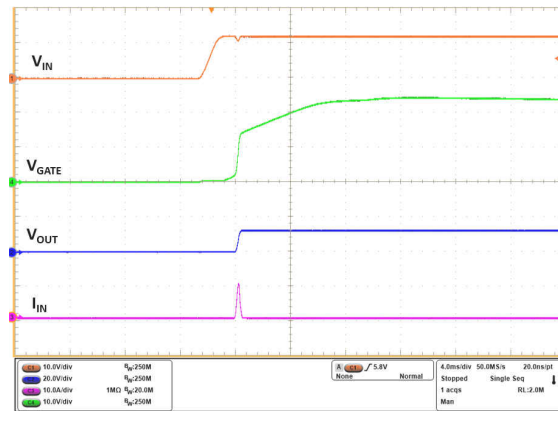
Time (2.5 ms/DIV)

**10-4. Response to ISO 7637-2 Pulse 1 (-150 V)**



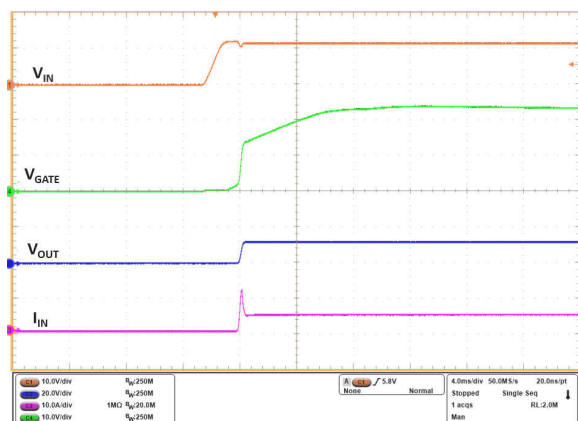
Time (40 ms/DIV)

**10-5. Start-up with Input Reverse Voltage (-12 V)**



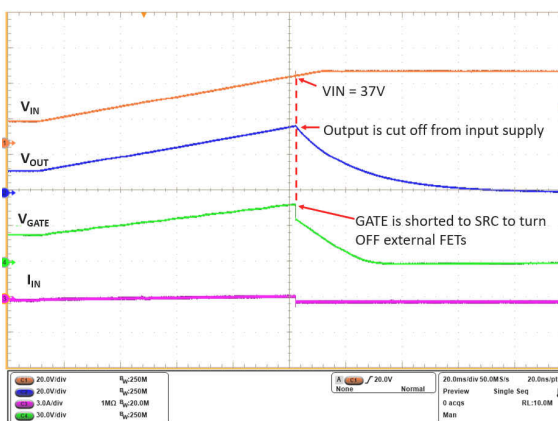
Time (4 ms/DIV)

**10-6. Start-up with No Load**



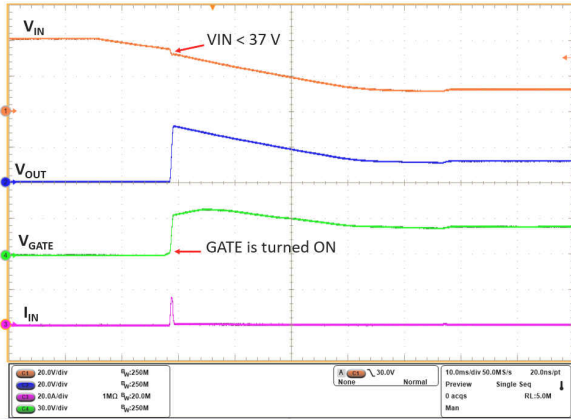
Time (4 ms/DIV)

**10-7. Start-up with 5-A Load**



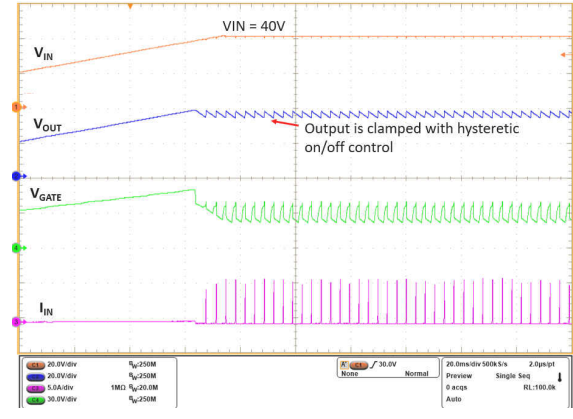
Time (20 ms/DIV)

**10-8. Overvoltage Cutoff Response (37 V)**



Time (10 ms/DIV)

**10-9. Overtolerance Recovery**



Time (20 ms/DIV)

**10-10. Overtolerance Clamp Response**

### 10.3 Surge Stopper Using LM74502-Q1, LM74502H-Q1

Many automotive applications are designed to comply with unsuppressed load dump transients specified by ISO16750-2 Pulse 5A. LM74502, LM74502H can be configured as input surge stopper to provide overvoltage along with input reverse supply protection and protect the downstream loads in case of unsuppressed load dump event.

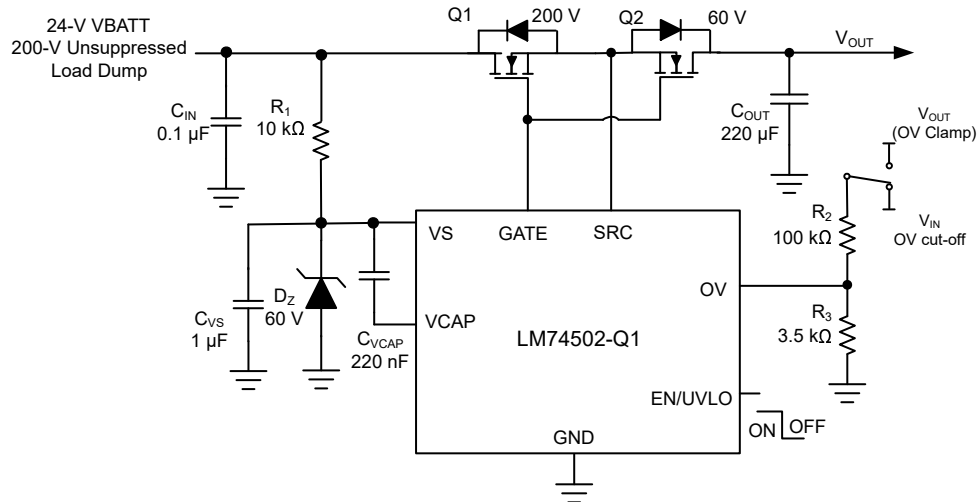


FIG 10-11. Typical Surge Stopper Application for 24-V Powered Systems

As shown in FIG 10-11, MOSFET Q1 is used to turn off or clamp output voltage to acceptable safe level and protect the MOSFET Q2 and LM74502 from input transient. Note that only the VS pin is exposed to input transient through a resistor, R1. A 60-V rated Zener diode is used to clamp and protect the VS pin within recommended operating condition. The rest of the circuit is not exposed to higher voltage as the MOSFET Q1 can either be turned off completely or output voltage clamped to safe level.

#### 10.3.1 VS Capacitance, Resistor R<sub>1</sub> and Zener Clamp (D<sub>Z</sub>)

A minimum of 1-μF C<sub>VS</sub> capacitance is required. During input overvoltage transient, resistor R1 and Zener diode, D<sub>Z</sub>, are used to protect VS pin from exceeding the maximum ratings by clamping V<sub>VS</sub> to 60 V. Choosing R1 = 10 kΩ, the peak power dissipated in Zener diode D<sub>Z</sub> can be calculated using 式 4 .

$$P_{DZ} = V_{DZ} \times \frac{(V_{IN(MAX)} - V_{DZ})}{R_1} \quad (4)$$

Where V<sub>DZ</sub> is the breakdown voltage of Zener diode. Select the Zener diode that can handle peak power requirement.

Peak power dissipated in resistor R1 can be calculated using 式 5.

$$P_{R1} = \frac{(V_{IN(MAX)} - V_{DZ})^2}{R_1} \quad (5)$$

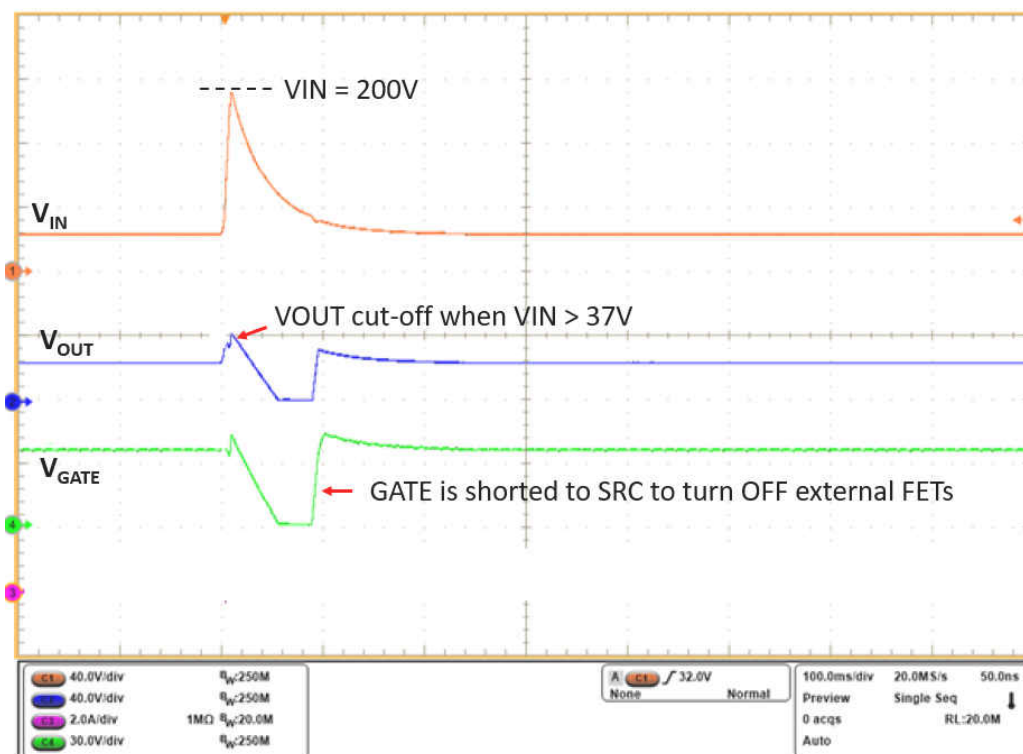
Select a resistor package which can handle peak power and maximum DC voltage.

#### 10.3.2 Overvoltage Protection

For the overvoltage setting, refer to the resistor selection procedure described in [Overvoltage Protection](#). Select (R2) = 100 kΩ and R3 = 3.5 kΩ as a standard resistor value to set overvoltage cutoff of 37 V.

### 10.3.3 MOSFET Selection

The VDS rating of the MOSFET Q1 must be minimum  $V_{IN(max)}$  for designs with output overvoltage cutoff where output can reach 0 V with higher loads. For designs with output overvoltage clamp, MOSFET VDS rating must be  $(V_{IN(max)} - V_{OUT\_CLAMP})$ . The VGS rating is based on GATE-SRC maximum voltage of 15 V. TI recommends a 20-V VGS rated MOSFET. Power dissipation on MOSFET Q1 on a design where output is clamped is critical and SOA characteristics of the MOSFET must be considered with sufficient design margin for reliable operation. An additional Zener diode from GATE to SRC can be needed to protect the external FET in case output is expected to drop to the level where it can exceed external FET  $V_{GS(max)}$  rating.

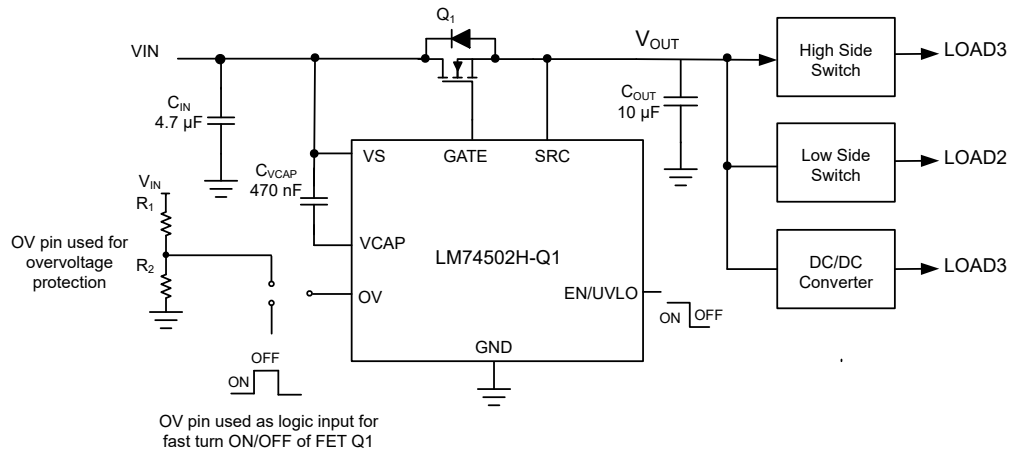


☒ 10-12. 200-V Surge Stopper with Overvoltage Cutoff Using LM74502-Q1

### 10.4 Fast Turn-On and Turn-Off High Side Switch Driver Using LM74502H-Q1

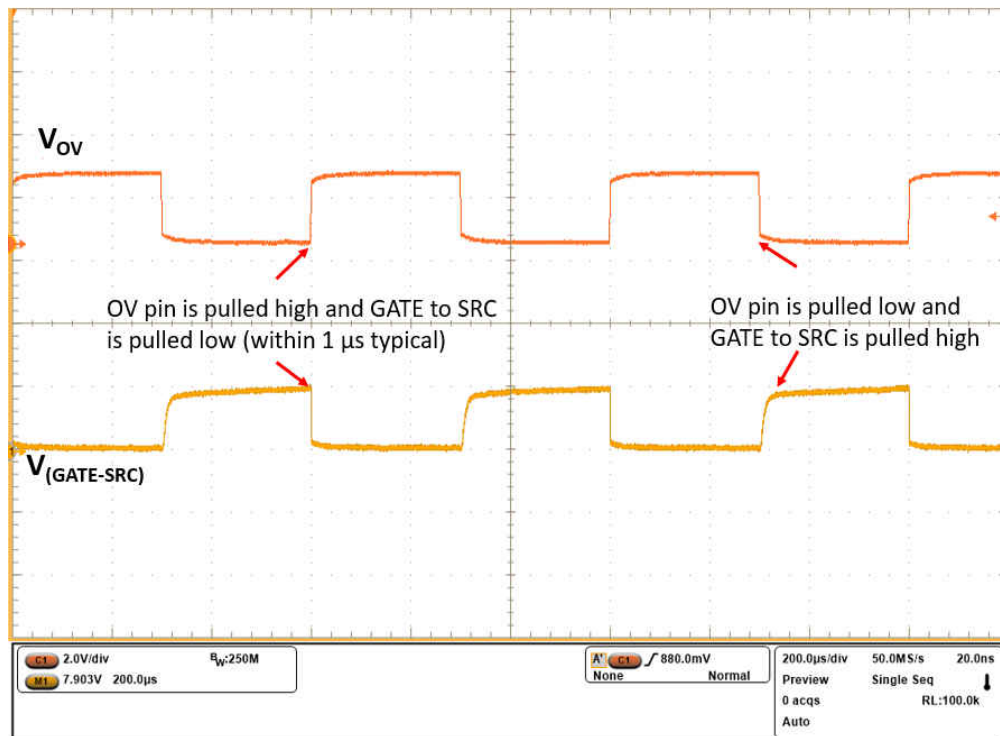
In automotive load driving applications N-Channel MOSFET based high side switch is very commonly used to disconnect the loads from supply line in case of faults such as overvoltage event. LM74502-Q1, LM74502H-Q1 can be used to drive external MOSFET to realize simple high side switch with overvoltage protection. ☒ 10-13 shows a typical application circuit where LM74502H-Q1 is used to drive external MOSFET Q1 as a main power path connect and disconnect switch. A resistor divider from input to OV pin to ground can be used to set the overvoltage threshold.

If  $V_{OUT}$  node (SRC pin) of the device is expected to drop in case of events such as overcurrent or short-circuit on load side then additional Zener diode is required across gate and source pin of external MOSFET to protect it from exceeding its maximum  $V_{GS}$  rating.



10-13. Fast Turn-ON and OFF High Side Switch Using LM74502H-Q1

Many safety applications require fast switching off of the MOSFET in case of fault events such as overvoltage or overcurrent fault. Some of the load driving path applications also require PWM operation of high side switch. LM74502H-Q1 OV pin can be used as control input to realize fast turn-on and turn-off load switch functionality. With OV pin pulled above  $V_{OVR}$  threshold of (1.25-V typical), LM74502H-Q1 turns off the external MOSFET (with  $C_{iss} = 4.7$  nF) within 1  $\mu$ s typically. When OV pin is pulled low, LM74502H-Q1 with its peak gate drive strength of 11 mA turns on external MOSFET with turn-on speed of 7- $\mu$ s typical. 10-14 shows LM74502H-Q1 GATE to SRC response when OV pin is toggled with ON/OFF logic input.



10-14. Fast Turn-On and Turn-Off High Side Switch Driver Using LM74502H-Q1

## 11 Power Supply Recommendations

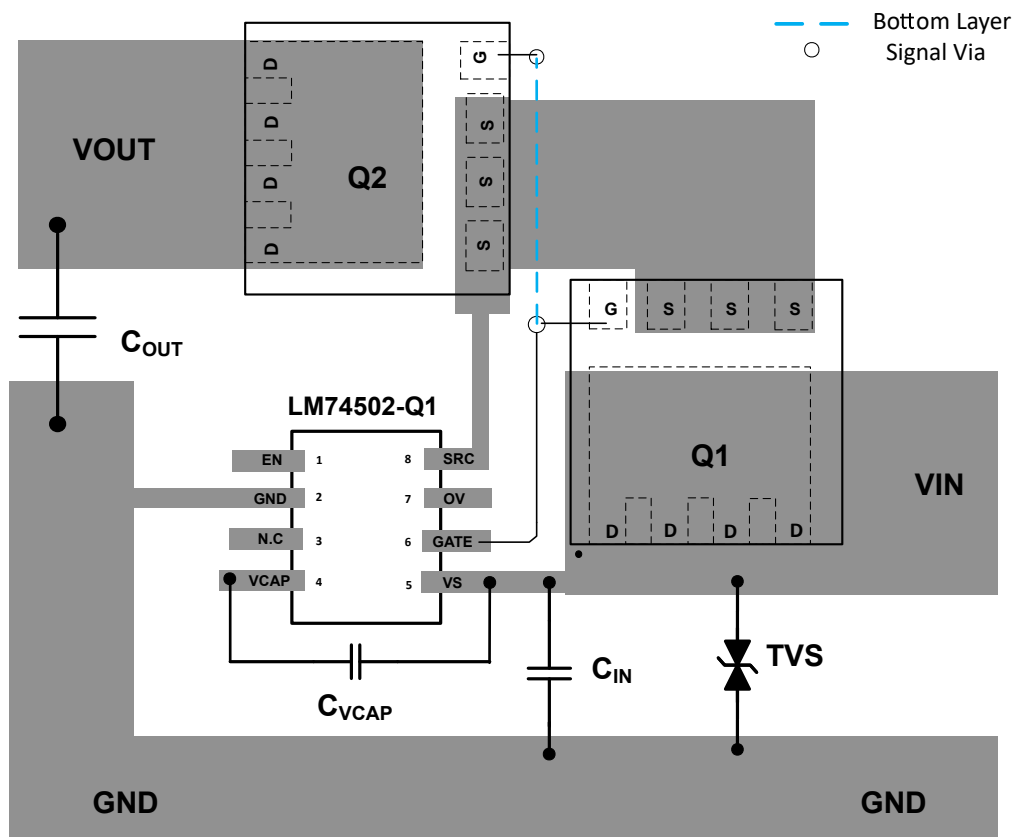
The LM74502-Q1, LM74502H-Q1 reverse polarity protection controller is designed for the supply voltage range of  $3.2\text{ V} \leq V_S \leq 65\text{ V}$ . If the input supply is located more than a few inches from the device, TI recommends an input ceramic bypass capacitor higher than  $0.1\text{ }\mu\text{F}$ . Based on system requirements, a higher input bypass capacitor can be needed with LM74502H-Q1 to avoid supply glitch in case of high inrush current start-up event. To prevent LM74502-Q1 and surrounding components from damage under the conditions of a direct output short circuit, use a power supply having overload and short-circuit protection.

## 12 Layout

### 12.1 Layout Guidelines

- Connect GATE and SRC pin of LM74502-Q1 close to the MOSFET's gate and source pin.
- Use thick traces for source and drain of the MOSFET to minimize resistive losses because the high current path of for this solution is through the MOSFET.
- Keep the charge pump capacitor across VCAP and VS pin away from the MOSFET to lower the thermal effects on the capacitance value.
- Connect the GATE pin of the LM74502-Q1 to the MOSFET gate with short trace. Avoid excessively thin and long running trace to the Gate Drive.

### 12.2 Layout Example



12-1. Layout Example



## 13 Device and Documentation Support

### 13.1 Receiving Notification of Documentation Updates

To receive notification of documentation updates, navigate to the device product folder on [ti.com](https://www.ti.com). Click on *Subscribe to updates* to register and receive a weekly digest of any product information that has changed. For change details, review the revision history included in any revised document.

### 13.2 サポート・リソース

TI E2E™ サポート・フォーラムは、エンジニアが検証済みの回答と設計に関するヒントをエキスパートから迅速かつ直接得ることができる場所です。既存の回答を検索したり、独自の質問をしたりすることで、設計に必要な支援を迅速に得ることができます。

リンクされているコンテンツは、該当する貢献者により、現状のまま提供されるものです。これらは TI の仕様を構成するものではなく、必ずしも TI の見解を反映したものではありません。TI の[使用条件](#)を参照してください。

### 13.3 Trademarks

TI E2E™ is a trademark of Texas Instruments.

すべての商標は、それぞれの所有者に帰属します。

### 13.4 Electrostatic Discharge Caution



This integrated circuit can be damaged by ESD. Texas Instruments recommends that all integrated circuits be handled with appropriate precautions. Failure to observe proper handling and installation procedures can cause damage.

ESD damage can range from subtle performance degradation to complete device failure. Precision integrated circuits may be more susceptible to damage because very small parametric changes could cause the device not to meet its published specifications.

### 13.5 Glossary

[TI Glossary](#) This glossary lists and explains terms, acronyms, and definitions.



## 14 Mechanical, Packaging, and Orderable Information

The following pages include mechanical, packaging, and orderable information. This information is the most current data available for the designated devices. This data is subject to change without notice and revision of this document. For browser-based versions of this data sheet, refer to the left-hand navigation.

**PACKAGING INFORMATION**

Orderable Device	Status (1)	Package Type	Package Drawing	Pins	Package Qty	Eco Plan (2)	Lead finish/ Ball material (6)	MSL Peak Temp (3)	Op Temp (°C)	Device Marking (4/5)	Samples
LM74502HQDDFRQ1	ACTIVE	SOT-23-THIN	DDF	8	3000	RoHS & Green	NIPDAU	Level-1-260C-UNLIM	-40 to 125	502HQ	<a href="#">Samples</a>
LM74502QDDFRQ1	ACTIVE	SOT-23-THIN	DDF	8	3000	RoHS & Green	NIPDAU	Level-1-260C-UNLIM	-40 to 125	L502Q	<a href="#">Samples</a>

(1) The marketing status values are defined as follows:

**ACTIVE:** Product device recommended for new designs.

**LIFEBUY:** TI has announced that the device will be discontinued, and a lifetime-buy period is in effect.

**NRND:** Not recommended for new designs. Device is in production to support existing customers, but TI does not recommend using this part in a new design.

**PREVIEW:** Device has been announced but is not in production. Samples may or may not be available.

**OBSOLETE:** TI has discontinued the production of the device.

(2) **RoHS:** TI defines "RoHS" to mean semiconductor products that are compliant with the current EU RoHS requirements for all 10 RoHS substances, including the requirement that RoHS substance do not exceed 0.1% by weight in homogeneous materials. Where designed to be soldered at high temperatures, "RoHS" products are suitable for use in specified lead-free processes. TI may reference these types of products as "Pb-Free".

**RoHS Exempt:** TI defines "RoHS Exempt" to mean products that contain lead but are compliant with EU RoHS pursuant to a specific EU RoHS exemption.

**Green:** TI defines "Green" to mean the content of Chlorine (Cl) and Bromine (Br) based flame retardants meet JS709B low halogen requirements of <=1000ppm threshold. Antimony trioxide based flame retardants must also meet the <=1000ppm threshold requirement.

(3) MSL, Peak Temp. - The Moisture Sensitivity Level rating according to the JEDEC industry standard classifications, and peak solder temperature.

(4) There may be additional marking, which relates to the logo, the lot trace code information, or the environmental category on the device.

(5) Multiple Device Markings will be inside parentheses. Only one Device Marking contained in parentheses and separated by a "~" will appear on a device. If a line is indented then it is a continuation of the previous line and the two combined represent the entire Device Marking for that device.

(6) Lead finish/Ball material - Orderable Devices may have multiple material finish options. Finish options are separated by a vertical ruled line. Lead finish/Ball material values may wrap to two lines if the finish value exceeds the maximum column width.

**Important Information and Disclaimer:**The information provided on this page represents TI's knowledge and belief as of the date that it is provided. TI bases its knowledge and belief on information provided by third parties, and makes no representation or warranty as to the accuracy of such information. Efforts are underway to better integrate information from third parties. TI has taken and continues to take reasonable steps to provide representative and accurate information but may not have conducted destructive testing or chemical analysis on incoming materials and chemicals. TI and TI suppliers consider certain information to be proprietary, and thus CAS numbers and other limited information may not be available for release.

In no event shall TI's liability arising out of such information exceed the total purchase price of the TI part(s) at issue in this document sold by TI to Customer on an annual basis.

**OTHER QUALIFIED VERSIONS OF LM74502-Q1, LM74502H-Q1 :**

- Catalog : [LM74502](#), [LM74502H](#)

## NOTE: Qualified Version Definitions:

- Catalog - TI's standard catalog product

## 重要なお知らせと免責事項

TI は、技術データと信頼性データ (データシートを含みます)、設計リソース (リファレンス・デザインを含みます)、アプリケーションや設計に関する各種アドバイス、Web ツール、安全性情報、その他のリソースを、欠陥が存在する可能性のある「現状のまま」提供しており、商品性および特定目的に対する適合性の黙示保証、第三者の知的財産権の非侵害保証を含むいかなる保証も、明示的または黙示的にかかわらず拒否します。

これらのリソースは、TI 製品を使用する設計の経験を積んだ開発者への提供を意図したものです。(1) お客様のアプリケーションに適した TI 製品の選定、(2) お客様のアプリケーションの設計、検証、試験、(3) お客様のアプリケーションに該当する各種規格や、その他のあらゆる安全性、セキュリティ、規制、または他の要件への確実な適合に関する責任を、お客様のみが単独で負うものとし、

上記の各種リソースは、予告なく変更される可能性があります。これらのリソースは、リソースで説明されている TI 製品を使用するアプリケーションの開発の目的でのみ、TI はその使用をお客様に許諾します。これらのリソースに関して、他の目的で複製することや掲載することは禁止されています。TI や第三者の知的財産権のライセンスが付与されている訳ではありません。お客様は、これらのリソースを自身で使用した結果発生するあらゆる申し立て、損害、費用、損失、責任について、TI およびその代理人を完全に補償するものとし、TI は一切の責任を拒否します。

TI の製品は、[TI の販売条件](#)、または [ti.com](https://www.ti.com) やかかる TI 製品の関連資料などのいずれかを通じて提供する適用可能な条項の下で提供されています。TI がこれらのリソースを提供することは、適用される TI の保証または他の保証の放棄の拡大や変更を意味するものではありません。

お客様がいかなる追加条項または代替条項を提案した場合でも、TI はそれらに異議を唱え、拒否します。

郵送先住所 : Texas Instruments, Post Office Box 655303, Dallas, Texas 75265  
Copyright © 2023, Texas Instruments Incorporated