

UCC25800-Q1 絶縁型バイアス電源向け、超低 EMI トランス・ドライバ

1 特長

- 高効率ハーフブリッジ・トランス・ドライバ
- 低い巻線間容量により極めて低い EMI
- トランスの小型化および低コスト化
 - 周波数をプログラム可能：0.1MHz ~ 1.2MHz
- 広い入力電圧範囲：9V ~ 34V
 - 34V 入力 で 9W
 - 24V 入力 で 6W
 - 15V 入力 で 4W
- 最大デッドタイム・プログラミングによる自動デッドタイム調整
- 外部クロック同期により低ノイズ
- 堅牢な保護機能
 - 低電圧誤動作防止 (UVLO)
 - プログラム可能な過電流保護 (OCP)
 - 入力過電圧保護 (OVP)
 - 過熱保護 (TSD)
 - 内蔵ソフトスタートにより突入電流を低減
 - 外部ディセーブル機能とフォルト・コード出力
- 車載アプリケーション用に AEC-Q100 認定取得済み：
 - 温度グレード 1：-40°C ~ +125°C、T_A
- 機能安全対応
 - 機能安全システムの設計に役立つ資料を利用可能
- サーマル・パッド付き 8 ピン DGN パッケージ

2 アプリケーション

- 車載用トラクション・インバータおよびモータ制御
- 車載用オンボード充電器 (OBC)
- 車載用 DC/DC コンバータ
- EV 充電ステーション、DC 高速充電ステーション
- UPS およびソーラー・インバータ
- 産業用モーター、エレベータ、エスカレータ
- GaN、IGBT、SiC ゲート・トランス・ドライバのバイアス電源

3 概要

UCC25800-Q1 は、スイッチング電力段、制御回路、保護回路を統合した 超低 EMI トランス・ドライバであり、絶縁型バイアス電源の設計を簡素化します。この設計では、漏れインダクタンスの大きい変圧器を使っても、1 次側から 2 次側への寄生容量をかなり小さくできます。この低容量トランスの設計では、バイアス・トランスを通過する同相モード電流注入が大幅に低下します。このため、このトランス・ドライバは、高速スイッチング・デバイスにより発生する EMI ノイズを最小限に抑えることができ、さまざまな車載アプリケーションの絶縁型バイアス電源向けの理想的な

ソリューションとなります。ソフト・スイッチング機能は、EMI ノイズをさらに低減します。

このトランス・ドライバの周波数は、100kHz ~ 1.2MHz の範囲でプログラム可能です。この高いスイッチング周波数により、変圧器のサイズとフットプリント、およびバイアス電源の全体的なコストが削減されます。内蔵の SYNC 機能を使ってシステム・バイアス電源を外部クロック信号と同期させると、システム・レベルのノイズをさらに低減できます。

デッドタイムは、導通損失を最小化するように自動的に調整されるので、設計を簡素化できます。プログラム可能な最大デッドタイムにより、出力段の設計の柔軟性が確保されています。

このトランス・ドライバは、低抵抗のスイッチング電力段を内蔵しているため、24V 入力 で 6W、34V 入力 で最大 9W の設計を実現できます。固定入力電圧の場合、開ループ制御は、負荷が 10% を上回ったときでも出力レギュレーションを ±5% に維持するのにも役立ちます。

プログラム可能な過電流保護 (OCP) により、電源段の設計の柔軟性を高め、変圧器のサイズを最小化できます。可変 OCP、入力 OVP、TSD、ピン障害からの保護などの保護機能により、堅牢な動作が保証されます。1.5ms の固定ソフトスタート期間により、スタートアップ時およびフォルト回復時の突入電流を低減します。

また、このトランス・ドライバには、外部ディセーブル、およびフォルト・コード通知のための専用マルチファンクション・ピンもあります。バイアス電源が保護モードになると、フォルト・コード通知機能によりフォルト・コードが送信されます。

UCC25800-Q1 トランス・ドライバは、サーマル・パッド付き 8 ピン DGN パッケージで供給され、温度に関する対応能力を強化しています。

製品情報

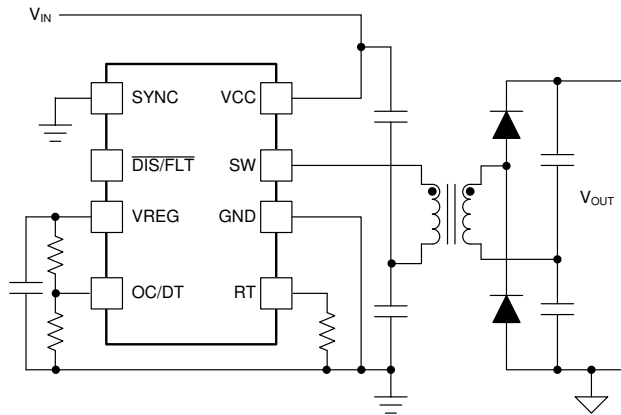
部品番号	パッケージ ⁽¹⁾	本体サイズ (公称)
UCC25800-Q1	HVSSOP (8)	3.00mm × 3.00mm

- (1) 利用可能なすべてのパッケージについては、データシートの末尾にある注文情報を参照してください。



UCC25800-Q1, UCC25800B-Q1

JAJSJLJ6C – NOVEMBER 2020 – REVISED AUGUST 2023



アプリケーション概略図

Table of Contents

1 特長	1	9 Application and Implementation	27
2 アプリケーション	1	9.1 Application Information.....	27
3 概要	1	9.2 Typical Application.....	27
4 Revision History	3	9.3 What to Do and What Not to Do.....	35
5 Device Comparison Table	4	10 Power Supply Recommendations	36
6 Pin Configuration and Functions	5	11 Layout	37
7 Specifications	6	11.1 Layout Guidelines.....	37
7.1 Absolute Maximum Ratings.....	6	11.2 Layout Example.....	37
7.2 ESD Ratings.....	6	12 Device and Documentation Support	38
7.3 Recommended Operating Conditions.....	6	12.1 Documentation Support.....	38
7.4 Thermal Information.....	7	12.2 ドキュメントの更新通知を受け取る方法.....	38
7.5 Electrical Characteristics.....	7	12.3 サポート・リソース.....	38
7.6 Typical Characteristics.....	9	12.4 Trademarks.....	38
8 Detailed Description	11	12.5 静電気放電に関する注意事項.....	38
8.1 Overview.....	11	12.6 用語集.....	38
8.2 Functional Block Diagram.....	12	13 Mechanical, Packaging, and Orderable Information	39
8.3 Feature Description.....	12		
8.4 Device Functional Modes.....	25		

4 Revision History

資料番号末尾の英字は改訂を表しています。その改訂履歴は英語版に準じています。

Changes from Revision B (November 2021) to Revision C (August 2023)	Page
• UCC25800B-Q1 デバイスの初版リリース.....	1
• Updated to include new device UCC25800B-Q1.....	4
• Updated to include fault mode implications of new device UCC25800B-Q1.....	25

Changes from Revision A (July 2021) to Revision B (November 2021)	Page
• データシートのステータスを「事前情報」から「量産データ」に変更.....	1

5 Device Comparison Table

Part Number	OCP1 Protection
UCC25800-Q1	Enable
UCC25800B-Q1	Disable

6 Pin Configuration and Functions

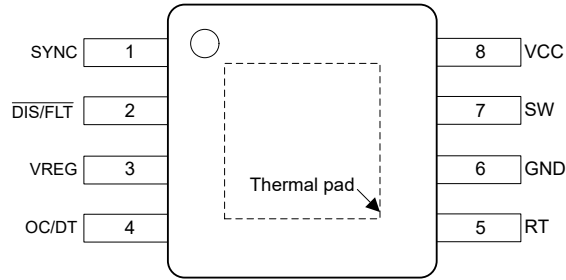


図 6-1. DGN Package, 8-Pin PDSO (Top View)

表 6-1. Pin Functions

PIN		TYPE ⁽¹⁾	DESCRIPTION
NAME	NO.		
DIS/FLT	2	I/O	UCC25800-Q1 disable pin (active low) and fault code output pin.
GND	6	G	The GND pin is the return for all the control and power signals. The layout should separate the power and control signals.
OC/DT	4	I	Voltage on this pin sets the maximum dead-time between the internal switching power devices. The Thevenin resistance on the pin is measured at start-up to set the OCP level.
RT	5	–	Switching frequency setting pin. Connect a resistor from RT pin to GND to set the converter switching frequency. The RT pin can be left open to operate the converter at the default 1.2-MHz switching frequency.
SW	7	–	The switch node of the integrated half-bridge. Connect this pin directly to the transformer.
SYNC	1	I	External clock input for frequency synchronization. The internal MOSFETs are switched synchronized with the rising edge of the SYNC signal, with half of the SYNC pin signal frequency.
VCC	8	I	The input for power and control of UCC25800-Q1. A good high-frequency by-pass capacitor between VCC and GND is needed to ensure high-efficiency, low-EMI design. Use the bypass capacitor layout to minimize the VCC-GND-bypass capacitor loop to reduce the stresses on internal power devices. Referring to セクション 11 for layout guidelines.
VREG	3	O	Internal regulated reference. Put a decoupling capacitor right across VREG pin and GND with shortest distance. The VREG pin can also be used as an external supply.
Thermal Pad		–	Connect this pad to GND pin to provide thermal management for the device. Thermal vias are recommended if the design uses multilayer PCB.

(1) I = input, O = output, I/O = input or output, FB = feedback, G = ground, P = power

7 Specifications

7.1 Absolute Maximum Ratings

over operating free-air temperature range (unless otherwise noted)⁽¹⁾

		MIN	MAX	UNIT
VCC		-0.3	40	V
VREG		-0.3	5.5	V
RT		-0.3	5.5	V
DIS/FLT		-0.3	5.5	V
SYNC		-0.3	5.5	V
OC/DT		-0.3	5.5	V
SW	Pin voltage	-1	VCC + 1	V
	Current transient (100ns)	-7	7	A
	Voltage transient (50ns)	higher of -5V or (VCC-41V)	Lower of (VCC+5V) or 41V	V
I _{Qrms}	MOSFET RMS current		600	mA
T _J	Junction temperature	-40	150	°C
T _{AMB}	Ambient temperature	-40	125	°C
T _{stg}	Storage temperature	-65	150	°C

- (1) Stresses beyond those listed under *Absolute Maximum Rating* may cause permanent damage to the device. These are stress ratings only, which do not imply functional operation of the device at these or any other conditions beyond those indicated under *Recommended Operating Condition*. Exposure to absolute-maximum-rated conditions for extended periods may affect device reliability.

7.2 ESD Ratings

			VALUE	UNIT	
V _(ESD)	Electrostatic discharge	Human body model (HBM), per AEC Q100-002 ⁽¹⁾ HBM ESD classification level 2	±2000	V	
		Charged device model (CDM), per AEC Q100-011 CDM ESD classification level C4B	Corner pins (SYNC, OC/DT, RT, and VCC)	±750	V
			Other pins	±500	V

- (1) AEC Q100-002 indicates that HBM stressing must be in accordance with the ANSI/ESDA/JEDEC JS-001 specification.

7.3 Recommended Operating Conditions

over operating free-air temperature range (unless otherwise noted)

		MIN	NOM	MAX	UNIT
VCC	Supply voltage	9		34	V
VREG	VREG current	0		1	mA
C _{VREG}	VREG capacitor	0.1		1	μF
R _{RT}	Switching frequency set pin resistor	10			kΩ
C _{RT}	Capacitor on RT			1000	pF
DIS/FLT	Disable pin	0		VREG	V
OC/DT	OCP/Dead Time setting pin	1		3.9	V
R _{OC/DT}	Thevenin resistance	2.5		22.7	kΩ
C _{OC/DT}	Capacitor on OC/DT			1000	pF
SYNC	External sync input voltage	0		VREG	V
t _{SYNCmin}	Minimum SYNC pulse width, high	150			ns
	Minimum SYNC pulse width, low	150			ns

over operating free-air temperature range (unless otherwise noted)

		MIN	NOM	MAX	UNIT
SW	Half bridge output pin	-0.6		VCC + 0.6	V
f _{SW}	Switching frequency range	100		1200	kHz
I _{QRMS}	Internal MOSFET RMS current rating			500	mA
I _{QPeak}	Internal MOSFET peak current rating, steady state			1	A

7.4 Thermal Information

THERMAL METRIC ⁽¹⁾		UCC25800-Q1	UNIT
		DGN (HVSSOP)	
		8 PINS	
R _{ΘJA}	Junction-to-ambient thermal resistance	47.9	°C/W
R _{ΘJC(top)}	Junction-to-case (top) thermal resistance	59.1	°C/W
R _{ΘJB}	Junction-to-board thermal resistance	18.4	°C/W
Ψ _{JT}	Junction-to-top characterization parameter	1.6	°C/W
Ψ _{JB}	Junction-to-board characterization parameter	18.4	°C/W
R _{ΘJC(bot)}	Junction-to-case (bottom) thermal resistance	5.6	°C/W

(1) For more information about traditional and new thermal metrics, see the [Semiconductor and IC Package Thermal Metrics](#) application report.

7.5 Electrical Characteristics

Unless otherwise stated: V_{VCC} = 15 V, R_{RT} = open, C_{VREG} = 470 nF, and -40 °C < T_J = T_A < 125 °C

PARAMETER		TEST CONDITIONS	MIN	TYP	MAX	UNIT
SUPPLY VOLTAGE						
UVLOR	VCC turn on threshold	VCC rising	8	8.6	9	V
UVLOF	VCC turn off threshold	VCC falling	7.5	8	8.5	V
OVSD	VCC overvoltage shutdown threshold	VCC rising	35	37	39	V
OVRS	VCC overvoltage reset	VCC falling	34	36	38	V
OVBLNK	Overvoltage blanking time	V _{VCC} = 40 V	0.75	1.3	2	μs
SUPPLY CURRENT						
IVCC _{UVLO}	VCC current during UVLO	V _{VCC} = 7.5 V		200	500	μA
IVCC _{RUN}	Input current, not including FET current ⁽³⁾	f _{SW} = 1.2 MHz, DIS/FLT = 1, SW open, I _{VREG} = 0 mA, V _{VCC} = 12 V		14	20	mA
IVCC _{DIS}	Supply current when disabled	No switching, DIS/FLT = 0, I _{VREG} = 0 mA		660	800	μA
VREG OUTPUT						
VREG	Internal regulated reference	I _{VREG} = 0 mA, DIS/FLT = 0	4.75	5	5.25	V
VREG _{LINE}	Line Regulation	I _{VREG} = 0 mA, 9 V ≤ V _{VCC} ≤ 34 V			10	mV
VREG _{LOAD}	Load Regulation	0 mA ≤ I _{VREG} ≤ 1 mA	-100			mV
VREG _{OK}	Threshold for VREG GOOD	VREG rising	4.05	4.5	4.95	V
VREG _{LOW}	VREG fault threshold	VREG falling	3.6	4	4.4	V
MOSFETs						
RDSON	On Resistance	PMOS I _{SW} = -500 mA		0.45	0.75	Ω
		NMOS I _{SW} = +500 mA		0.3	0.5	Ω
OSCILLATOR						

Unless otherwise stated: $V_{VCC} = 15\text{ V}$, $R_{RT} = \text{open}$, $C_{VREG} = 470\text{ nF}$, and $-40\text{ }^{\circ}\text{C} < T_J = T_A < 125\text{ }^{\circ}\text{C}$

PARAMETER		TEST CONDITIONS	MIN	TYP	MAX	UNIT
f_{SW}	SW switching frequency	$V_{RT} = 0.25\text{ V}$	94	100	106	kHz
		$V_{RT} = 2.5\text{ V}$	0.94	1	1.06	MHz
		Default switching frequency, RT open	1.128	1.2	1.272	MHz
f_{SWtol}	Tolerance	$10\text{ k}\Omega \leq R_{RT} \leq 100\text{ k}\Omega$	94		106	%
Duty	Duty cycle	RT open	49	50	51	%
RT_{SHORT}	Short circuit fault threshold		130	150	170	mV
RT_{OPEN}	Open-circuit default f_{OSC} threshold		2.9	3	3.1	V
SYNC						
$SYNC_{RISING}$	SYNC rising threshold	V_{SYNC} rising	2.0	2.2	2.4	V
$SYNC_{FALLING}$	SYNC falling threshold	V_{SYNC} falling	1.53	1.7	1.87	V
ADAPTIVE DEAD-TIME						
$DT_{HS_{TH}}$	High-side dead-time detection threshold with respect to VCC	SW rising	-1.2	-1	-0.8	V
$DT_{LS_{TH}}$	Low-side dead-time detection threshold	SW falling	0.8	1	1.2	V
$DT_{HS_{DELAY}}$	High-side turn on delay	From SW crossing $DT_{HS_{TH}}$ to HS turning on		20	45	ns
$DT_{LS_{DELAY}}$	Low-side turn on delay	From SW crossing $DT_{LS_{TH}}$ to LS turning on		20	45	ns
PROGRAMMABLE MAXIMUM DEAD-TIME						
OC/DT_{SHORT}	short threshold for OC/DT pin		450	500	550	mV
OC/DT_{OPEN}	open threshold for OC/DT pin		4.3	4.5	4.7	V
DT_{MAX}	Programmable maximum dead-time	$V_{OC/DT} = 3.9\text{ V}$	45	50	55	ns
		$V_{OC/DT} = 1.9\text{ V}$	135	150	165	ns
OVER-CURRENT PROTECTION						
$I_{OCP1_{max}}$	First level maximum OCP setting threshold	Low side only	0.9	1	1.1	A
$OCP1_{TO}$	OCP1 time out	Peak current exceeds threshold time out to trigger OCP1 fault	1.9	2.1	2.3	ms
$I_{OCP2_{max}}$	Second level maximum OCP threshold	Low side and high side	4.25	5	5.75	A
$OCP2_{FILTER}$	OCP2 filter time	Continuous over-current to trigger OCP2 fault, low side and high side	80	100	120	ns
OVER-TEMPERATURE PROTECTION						
TSD	Thermal shutdown threshold	$T_J = T_A$ ⁽¹⁾		160		$^{\circ}\text{C}$
T_{HYST}	Hysteresis	$T_J = T_A$ ⁽¹⁾		20		$^{\circ}\text{C}$
ENABLE_DISABLE FUNCTION						
EN_{TH}	Enable threshold	\overline{DIS}/FLT rising	2	2.2	2.4	V
DIS_{TH}	Disable threshold	\overline{DIS}/FLT falling	1.53	1.7	1.87	V
I_{pd_DIS}	Internal pull down disable current	$V_{\overline{DIS}/FLT} = 5\text{ V}$	650	750	850	μA
$RESTART_{DEL}$	Restart delay after fault ⁽²⁾			100		ms

(1) Specified by design. No production tested.

(2) Specified by bench characterization. No production tested.

(3) This current includes the SW pin parasitic capacitor charge and discharge current. When operating with LLC, soft switching removes the capacitor charge and discharge current. Actual current is smaller.

7.6 Typical Characteristics

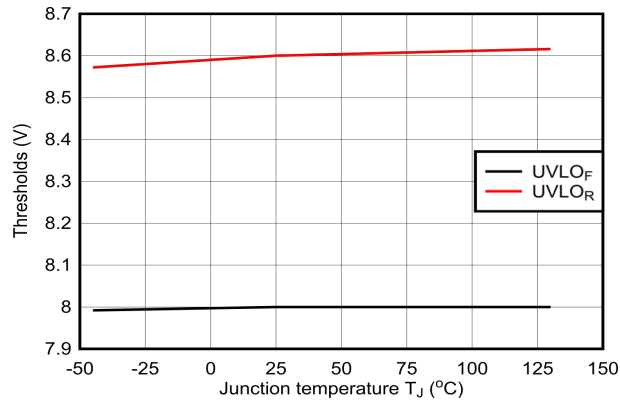


Figure 7-1. UVLO thresholds vs junction temperature

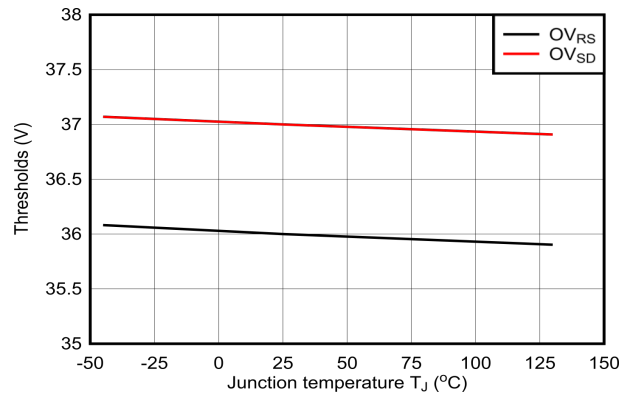
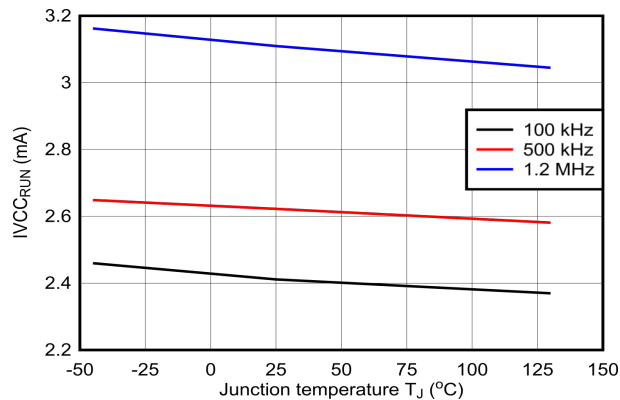
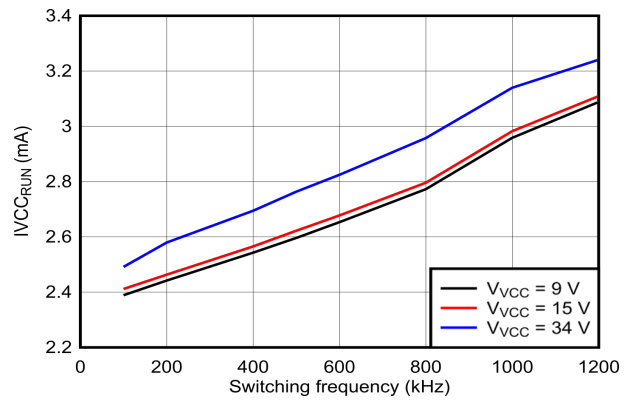


Figure 7-2. OVP thresholds vs junction temperature



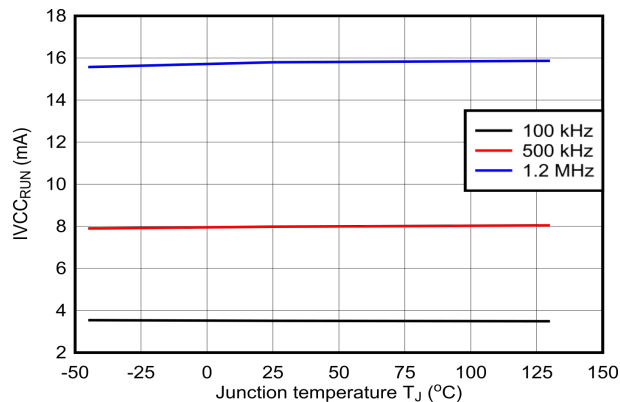
IC is set in test mode. The oscillator is enabled but the internal gate driver and power stage are disabled. $V_{VCC} = 15\text{ V}$

Figure 7-3. VCC current vs junction temperature and switching frequency (Test mode, driver disabled)



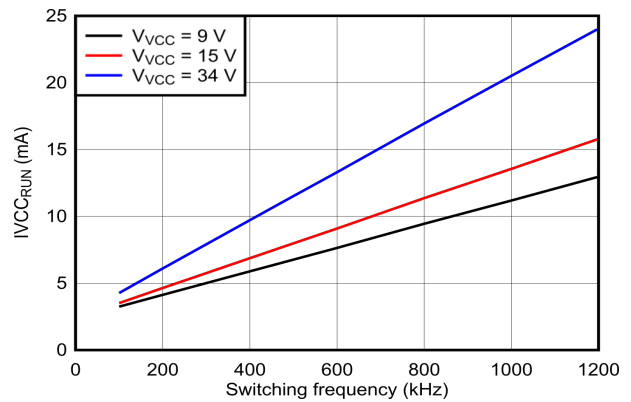
IC is set in test mode. The oscillator is enabled but the internal gate driver and power stage are disabled. $T_J = 25\text{ °C}$

Figure 7-4. VCC current vs switching frequency and VCC voltage (Test mode, driver disabled)



$V_{VCC} = 15\text{ V}$

Figure 7-5. VCC current vs junction temperature and switching frequency



$T_J = 25\text{ °C}$

Figure 7-6. VCC current vs switching frequency and VCC voltage

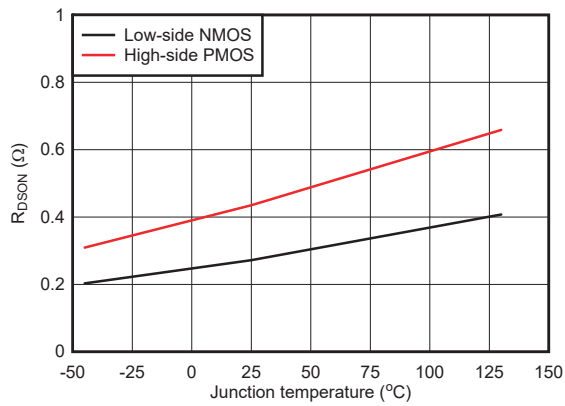
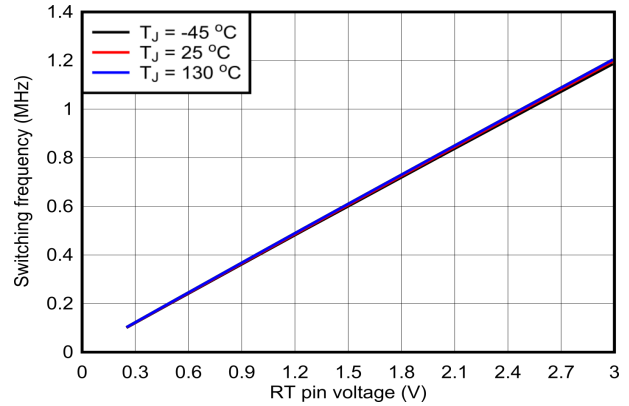
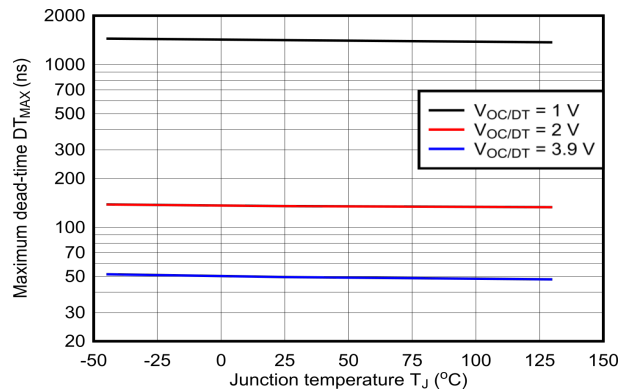


Figure 7-7. $R_{DS(on)}$ vs junction temperature



$V_{VCC} = 15\text{ V}$

Figure 7-8. Switching frequency vs RT pin voltage and temperature



$V_{VCC} = 15\text{ V}$

Figure 7-9. Programmed maximum dead-time vs junction temperature

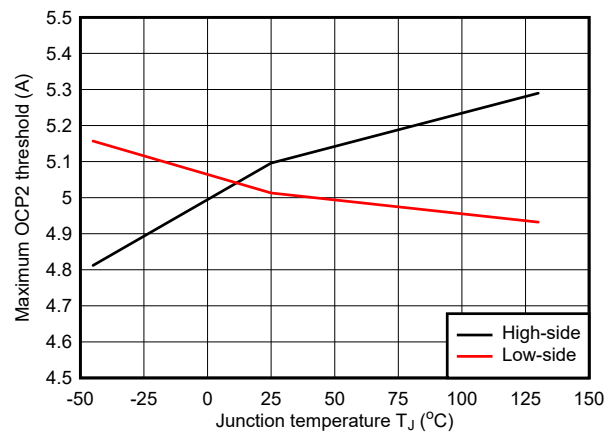


Figure 7-10. Maximum OCP2 thresholds vs junction temperature

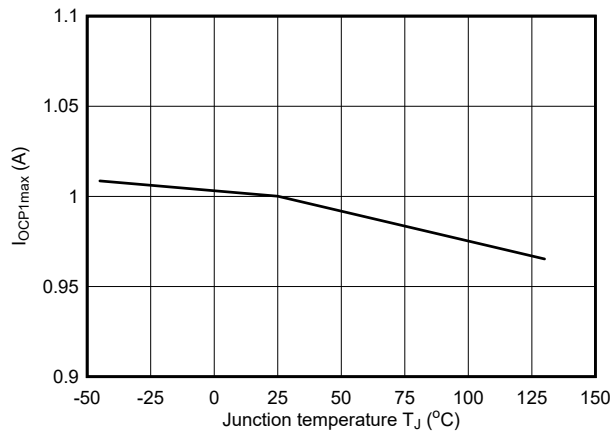


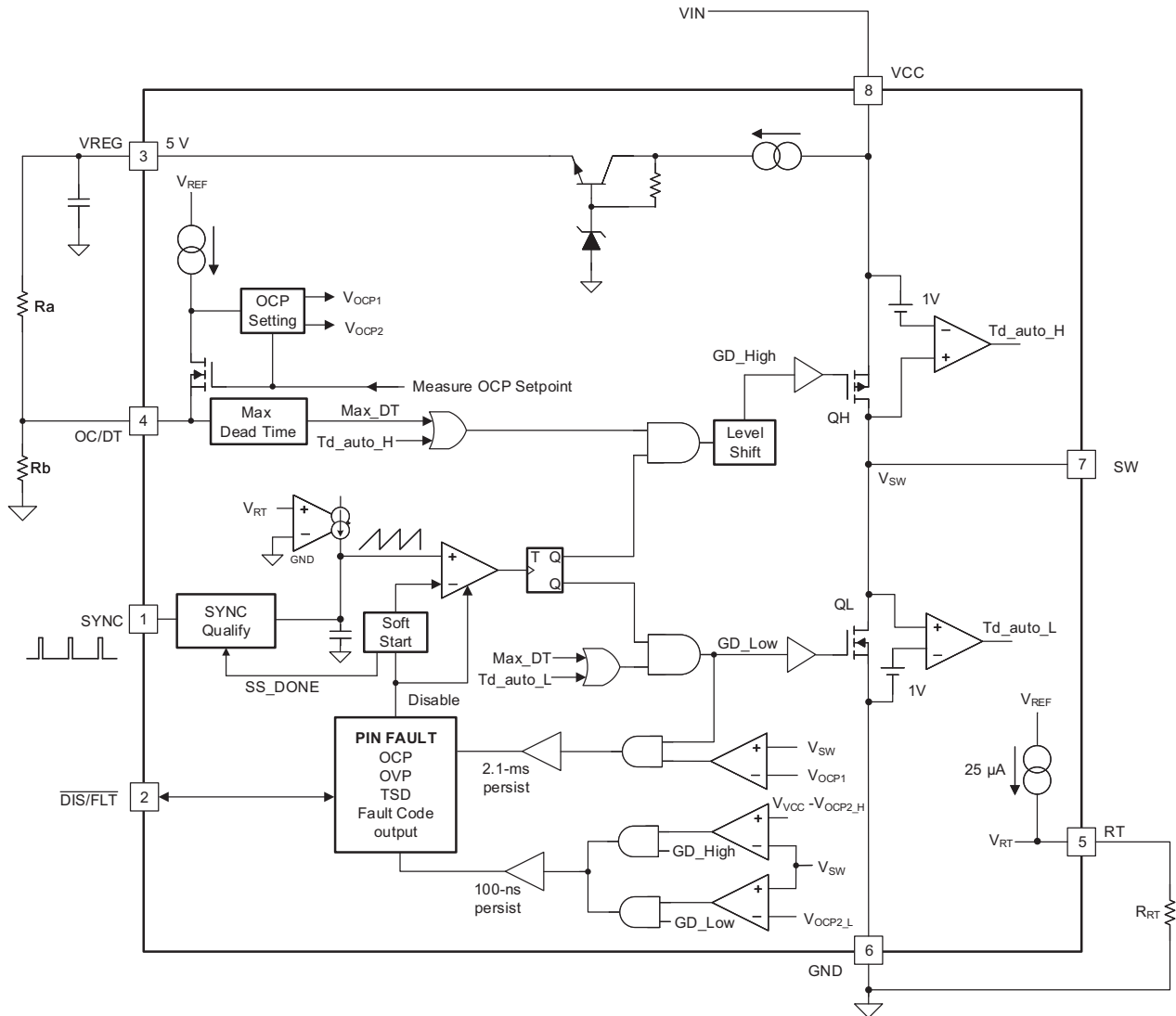
Figure 7-11. Maximum OCP1 threshold vs junction temperature

8 Detailed Description

8.1 Overview

Modern high-voltage, high-power-inverter, and motor-drive applications require floating bias supply voltages to power at least the high-side totem-pole switches, where source (and gate) voltages move up and down with the inverter switch-node. The traditional way of providing small amounts of isolated bias power has been to use a flyback converter. Often a single flyback converter with multiple outputs can generate the required rails for all the switches. However, issues with reliability, redundancy, shock and vibration testing, noise immunity and particularly EMI and common mode current have led to a trend away from the flyback topology and centralized architecture toward distributed open-loop approaches. The open-loop approaches such as 50% duty cycle push-pull, open-loop half bridge or full bridge without an output inductor are deployed while the flyback converter or *flybuck* (an isolated buck converter) continue to be used by some designs to provide regulated outputs despite the larger common-mode capacitance (transformer primary-side to secondary-side parasitic capacitance). With the adoption of SiC and GaN devices, the inverter power stage switches at a much higher dv/dt . This behavior causes much larger common-mode current injection through the isolated bias transformers and drives the needs for a bias supply design with minimum parasitic capacitance. The need to further reduce the primary-to-secondary capacitance without suffering performance degradation has led some designs to deploy resonant topologies such as the LLC. As the leakage inductance in an LLC is a component of the power train, the topology can enable a higher leakage inductance transformer to be used with an associated reduction in the parasitic primary-secondary capacitance. The UCC25800-Q1 transformer driver is a small, simple controller enabling this topology to be deployed with low component count, integrated protection features, high switching frequency, high parameter tolerance and robust operation. An 8-pin DGN package with thermal pad is used to provide up to 6-W power handling capability with 24-V input.

8.2 Functional Block Diagram



8.3 Feature Description

UCC25800-Q1 is an 8-pin open-loop half-bridge transformer driver that integrates all the control and power devices. It converts a fixed input voltage to an isolated voltage source through an isolation transformer. The relationship between the output voltage and input voltage is fixed, which is determined by the transformer turns-ratio and the rectification method. The open-loop control, together with the LLC resonant converter operation, makes the solution more robust, smaller size, higher efficiency, as well as lower EMI and common mode noise. The transformer driver requires a minimum of external components while providing design flexibility and robust protection features. The 1.2-MHz maximum switching frequency reduces the transformer size and cost, making it easier to pass the shock and vibration test in the automotive applications. The fault code output allows the designer to identify the protection mode, during the development stage, as well as during normal operation. This makes the development process much easier. It also enables the system controller to make intelligent decisions when bias supply faults happen.

8.3.1 Power Management

The VCC pin powers the UCC25800-Q1 transformer driver. When the VCC pin voltage is below the UVLO rising threshold ($UVLO_R$), the VREG pin 5-V regulator is disabled ($VREG = 0\text{ V}$). After the VCC pin voltage exceeds $UVLO_R$, the 5-V regulator is enabled and VREG pin rises, while the $\overline{DIS/FLT}$ pin is internally pulled low through an internal 750- μA current source, ($\overline{DIS/FLT} = 0\text{ V}$). When the VREG exceeds 4.5 V ($VREG_{OK}$), the $\overline{DIS/FLT}$ pin is released. If the $\overline{DIS/FLT}$ pin is not pulled low externally, it rises to VREG pin voltage level via an internal 100-k Ω pull up resistor. When $\overline{DIS/FLT}$ pin voltage exceeds the rising enable threshold (EN_{TH}), the internal regulators and references are turned on and the transformer driver reads the Thevenin resistance on the OC/DT pin to set the overcurrent protection (OCP) thresholds. After this process completes, the faults are checked and if they are all cleared, the oscillator is enabled and the power stage starts switching. The time to complete this process is approximately 500 μs .

If a fault is detected, the transformer driver activates the internal pull-down current source on the $\overline{DIS/FLT}$ pin, the power stage stops switching, and the device outputs the fault code.

The rise time of the $\overline{DIS/FLT}$ pin depends on the external loading on the pin. An external pull-up can be added to the pin if there is concern over noise immunity. The values are specified in [セクション 8.3.6](#).

When the VCC pin voltage is above the $UVLO_R$ threshold and $\overline{DIS/FLT}$ pin is pulled low externally the transformer driver remains disabled with $IVCC_{DIS} = 660\ \mu\text{A}$.

If after a completed power-up sequence, VCC falls below the UVLO falling threshold ($UVLO_F$), the power stage switching is immediately stopped. The VREG pin voltage regulator is disabled making the VREG pin voltage fall.

The VCC pin current is a combination of the IC bias current and the power stage current. It is important to have a low ESL bypass capacitor to minimize the current loop among this capacitor and VCC, GND pins. Refer to [セクション 11](#) for details.

8.3.2 Oscillator

The internal oscillator of the UCC25800-Q1 transformer driver sets the switching frequency of the power stage. It operates at a 50% duty cycle. The voltage on the RT pin sets the oscillator frequency. A 25- μA current source flows out of the pin so that the switching frequency can be set by connecting a resistor to GND. [図 8-1](#) shows the internal oscillator.

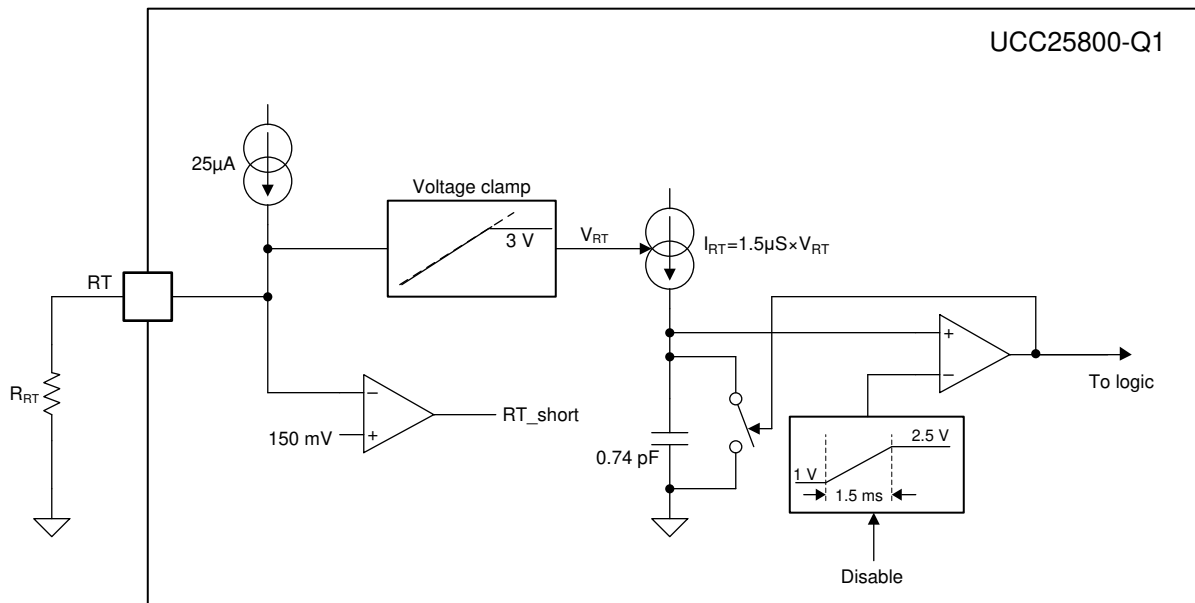


図 8-1. Equivalent circuit for internal oscillator

Use [式 1](#) to calculate the RT pin resistance for a required switching frequency.

$$f_{SW} = R_{RT} \times 10 \frac{\text{Hz}}{\Omega} \tag{1}$$

If the RT pin is left open, or an RT pin resistor value results in an RT pin voltage at R_{T_OPEN} threshold or above, the power stage operates with the default switching frequency of 1.2 MHz. If the RT pin voltage is below 150 mV, the transformer driver considers the RT pin shorted to ground and declares a fault. The programmable voltage range on the RT pin is 250 mV to 2.5 V. The relationship between the power stage switching frequency and the RT-pin voltage is shown in [Figure 8-2](#).

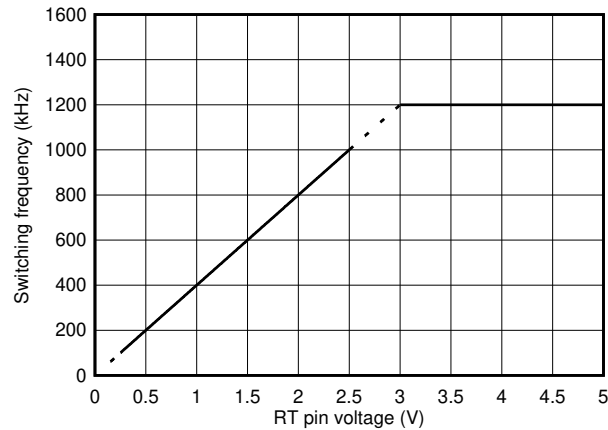


Figure 8-2. Relationship between switching frequency and RT-pin voltage

To avoid the excessive current stress during the start-up process, the transformer driver integrates a soft-start function. The oscillator starts by ramping the oscillator reference from 1 V to 2.5 V, which results in the switching frequency reducing from 2.5 times of the set frequency to the set frequency. Because the current source in the oscillator remains the same while the reference changes, the switching cycle decays linearly. The soft-start time is fixed internally at 1.5 ms. This long soft-start time limits the inrush current when charging large output capacitors. The soft-start is enabled during the start-up and fault recovery process. [Figure 8-3](#) shows the switching frequency variation during the start-up time.

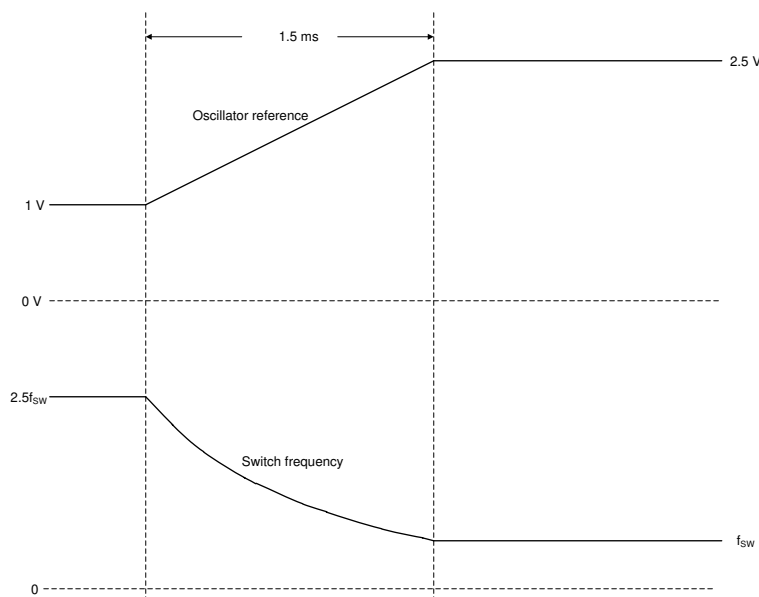


Figure 8-3. Switching frequency during soft start time

During the soft-start sequence, the first pulse from the oscillator is a half of the second pulse width (25% of the period at the starting switching frequency) and followed immediately by 50% duty cycle pulses. This process

ensures the LLC transformer magnetizing current is symmetrical from the first pulse to minimize ringing in the system. The high-side switch is always turned on at the first pulse to avoid uncertainty of the circuit operation.

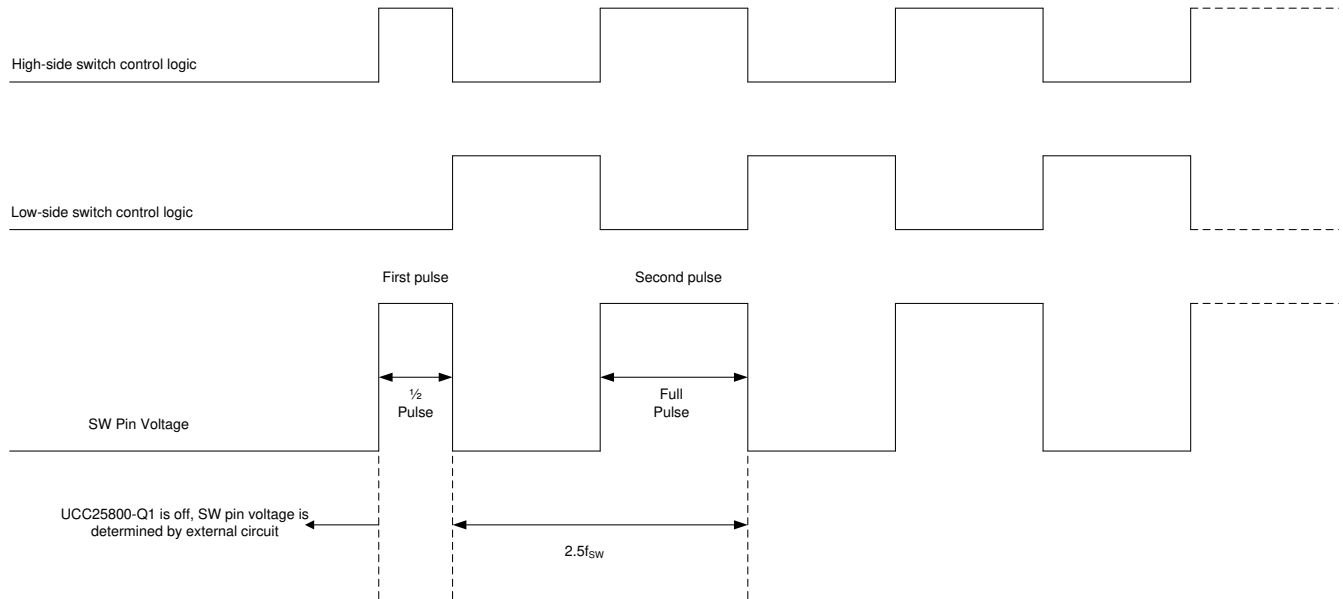


図 8-4. SW pin voltage and control logic at the first switching cycle (dead-time is not shown)

8.3.3 External Synchronization

An external signal connected to the SYNC pin synchronizes the switching frequency of the UCC25800-Q1 transformer driver.

In the external synchronization mode, the switching frequency of the SW pin is half of the SYNC pin signal frequency. Given that, to ensure the output voltage remains within the normal operation range, the half of the frequency of external synchronization signal needs to be between 15% and 30% (nominal) above the programmed switching frequency with a tolerance of 5% or less, as described in 式 2. A minimum high and low pulse width of 150 ns is required. The SYNC pin logic is compatible with TTL and CMOS levels for the design simplicity. It is recommended to use 50% duty cycle signal.

$$1.15 \times f_{SW} < \frac{1}{2} \times f_{SYNC} < 1.3 \times f_{SW} \quad (2)$$

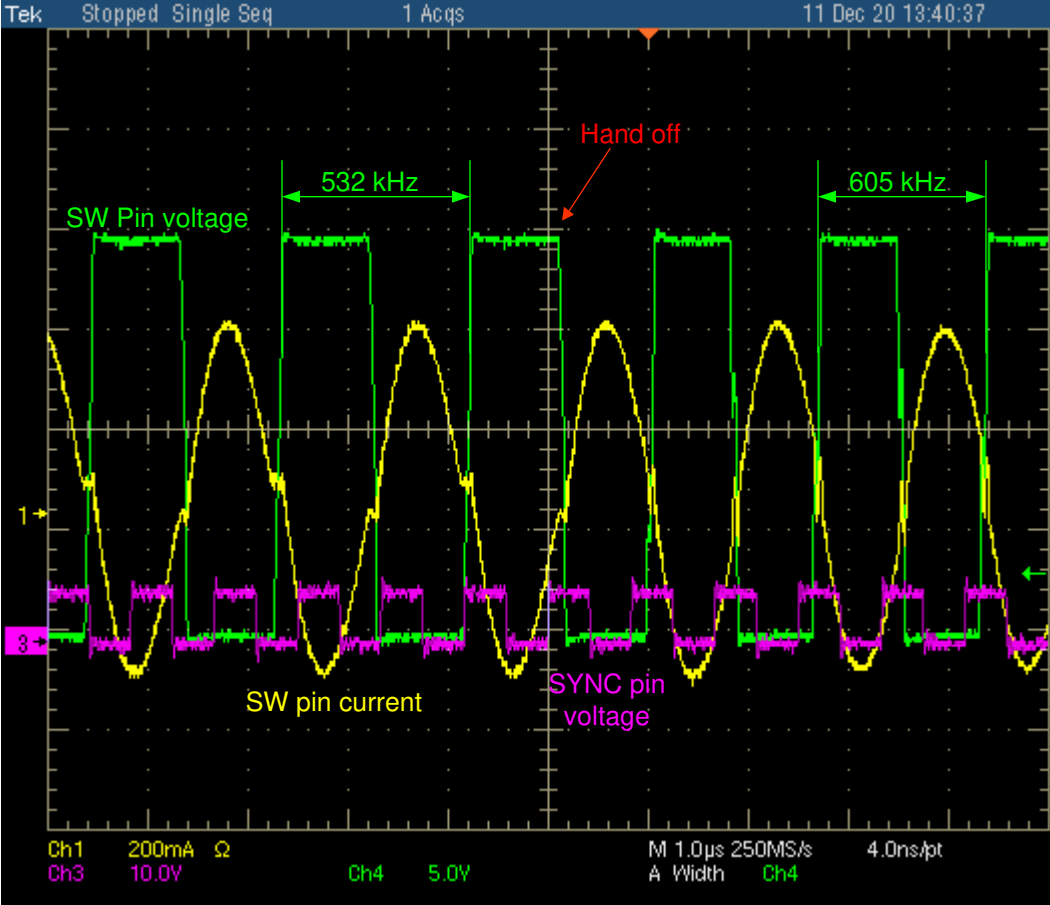
where

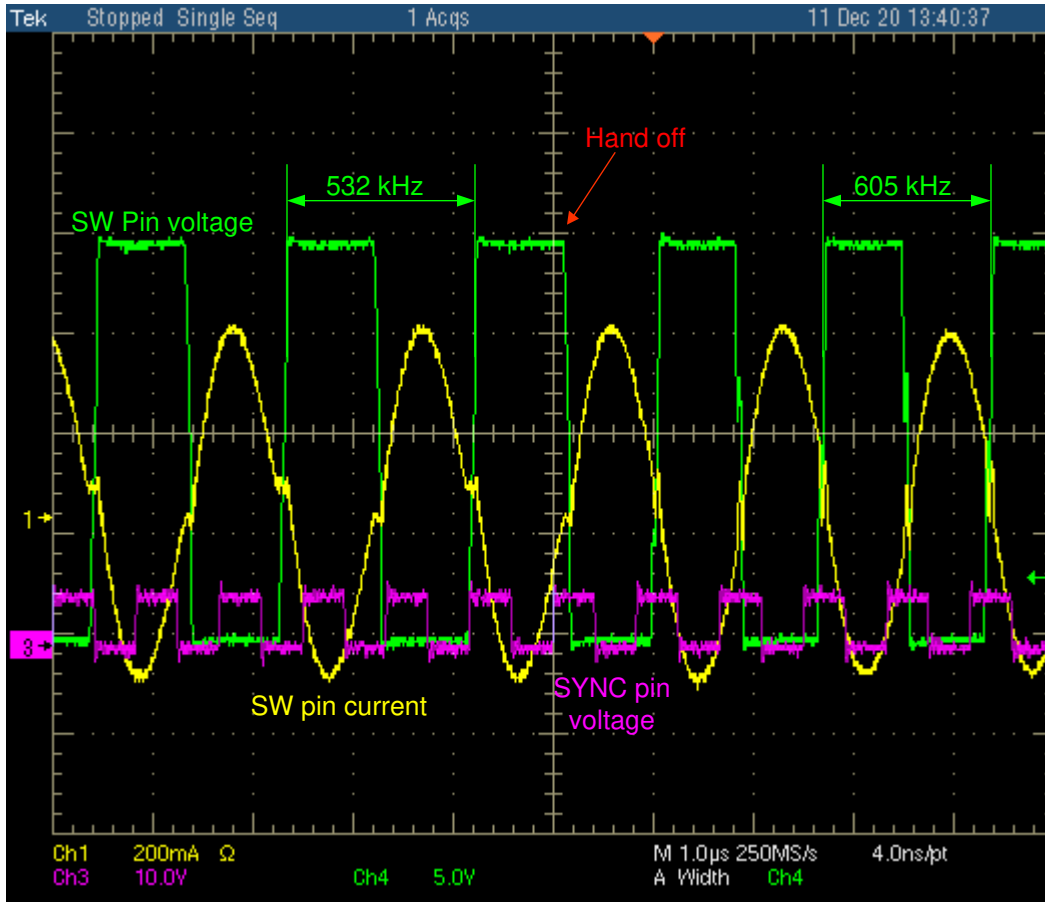
- f_{SW} is the RT pin programmed SW-pin switching frequency
- f_{SYNC} is the SYNC pin signal frequency

The transformer driver ignores the external synchronization signal during the 1.5-ms soft-start time. The switching frequency during the soft-start time is based on the RT pin voltage as described in セクション 8.3.2. After the soft-start period ends, if an external synchronization signal is present and its frequency and pulse width are within the specified range, the switch node is driven by the SYNC pin signal. The transformer driver also integrates a hand-off algorithm so that when the switching frequency transitions from internal oscillator to the external synchronization signal, the disturbance is minimal and transformer saturation is avoided.

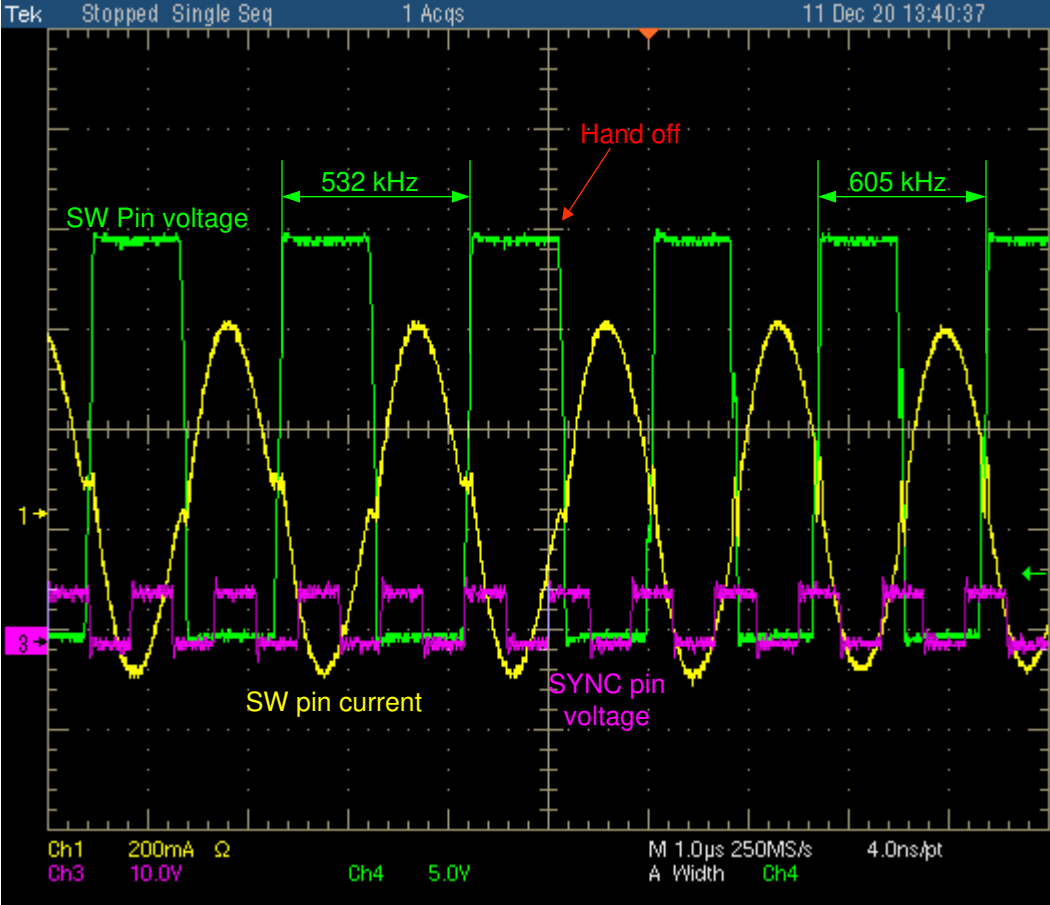
The hand-off algorithm first confirms that the external synchronization signal is within the range. If the frequency is not within the acceptable range, the hand-off doesn't happen. If the frequency is within the acceptable range, the hand-off algorithm begins to search for the optimal transition point and locks the switching frequency with the external SYNC signal. After the frequency is locked, the hand-off algorithm stops monitoring the SYNC pin frequency. It is important to ensure external synchronization source has a stable frequency. There is an internal watchdog timer to prevent the external frequency from falling below the set frequency (the watchdog time does not monitor if the SYNC pin frequency goes above the range). If the SYNC pin frequency drops below the

set frequency, the transformer driver loses synchronization and the converter operates with the set frequency determined by RT pin voltage.

The  8-5 shows an oscilloscope screen capture for the controller transition from internal oscillator to the external synchronization signal. The smooth transition can be observed and the SW pin current sees minimal disturbance.



 8-5. Transition from internal oscillator to external synchronization

The internal MOSFET gate drives are toggled on each SYNC pin voltage rising edge, so the switch-node frequency is equal to half of the SYNC pin signal frequency, as shown in  8-6. Due to the internal filter delays, the SW pin switching edge is not aligned with the SYNC pin switching edge. There is a delay of approximately 150 ns.

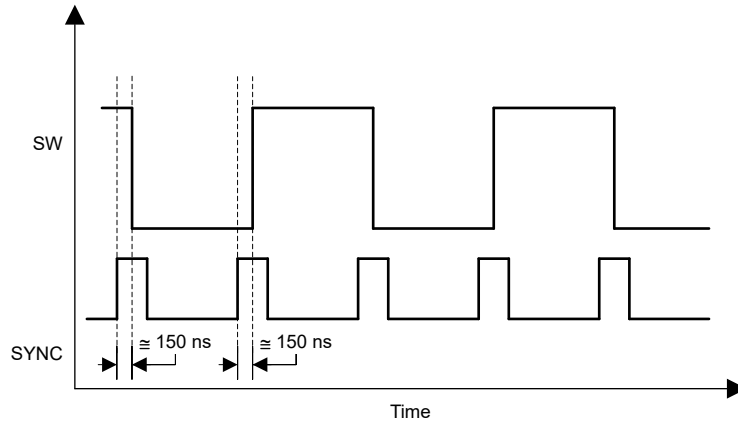


图 8-6. External SYNC signal drives switching frequency

8.3.4 Dead-Time

A dead-time is needed between the turn off of one switch and the turn on of the other switch to avoid shoot through. This also allows the switch-node voltage to transition to the opposite rail voltage, which reduces switching loss and EMI noise.

8.3.4.1 Adaptive Dead-time

The UCC25800-Q1 transformer driver automatically detects the dead-time after the switch-node voltage slews to within 1 V of the opposite rail. This slewing of the node is driven by the current flowing through the SW pin into the resonant tank at the end of the each MOSFET on-time. There must be sufficient current flowing through the SW pin at the end of the on-time to drive the SW pin voltage to the opposite rail. The voltage on the OC/DT pin programs the maximum dead-time. Even if the SW pin voltage crossing the threshold is not detected within the maximum programmed dead-time, the internal MOSFET switches on when the maximum programmed dead-time expires. [图 8-7](#) and [图 8-8](#) demonstrate the two adaptive dead-time operation conditions.

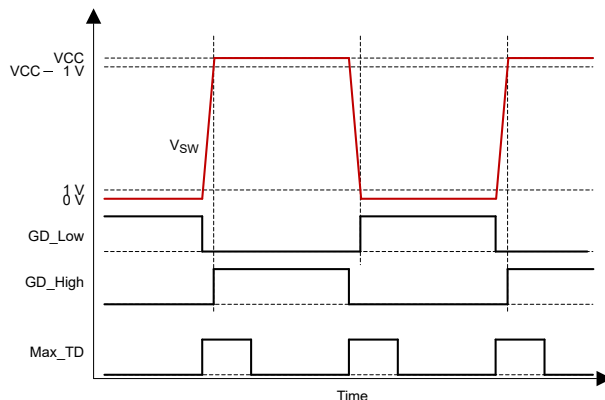


图 8-7. Adaptive dead-time operation without triggering maximum dead-time

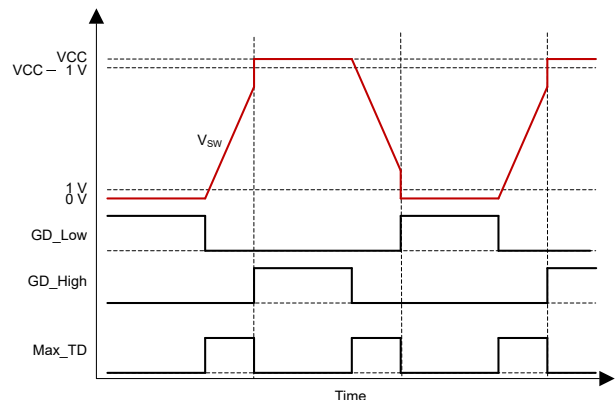


图 8-8. Adaptive dead-time operation with triggering maximum dead-time

8.3.4.2 Maximum Programmable Dead-time

During operation, the voltage on the OC/DT pin sets a maximum duration of the dead-time. If the adaptive dead-time has not triggered the turn-on of the internal MOSFET within this time, it switches on when the maximum dead-time expires. The relationship between the OC/DT pin voltage and this maximum programmable dead-time is shown in [图 8-9](#) and given by [式 3](#). The UCC25800-Q1 transformer driver also limits the maximum dead-time to be 1/8 of the switching cycle. Therefore, the programmed maximum dead-time is the lower value of these two.

$$DT_{MAX} = \frac{150 \text{ ns} \times 1 \text{ V}}{V_{OC/DT} - 0.9 \text{ V}} \quad (3)$$

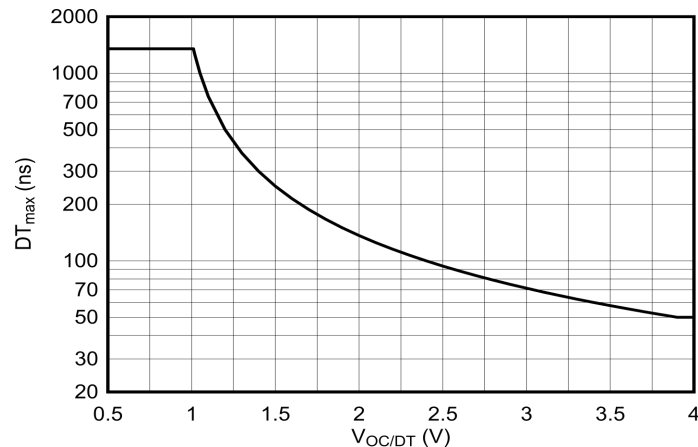


图 8-9. Maximum dead time vs. OC/DT pin voltage

When the OC/DT pin voltage falls below 0.5 V, the transformer driver triggers the pin-short protection and it shuts down. When the OC/DT pin voltage is between 0.5 V to 3.95 V, the maximum dead-time is set by 式 3 with a clamped maximum value of 1.35 μ s and a clamped minimum value of 50 ns. When the OC/DT pin voltage is between 3.95 V and 4.5 V, it triggers the DT-out-of-range fault and the transformer driver shuts down. When the OC/DT pin voltage is above 4.5 V, the transformer driver shuts down due to the OC/DT open pin fault protection.

8.3.5 Protections

UCC25800-Q1 transformer driver provides a full set of protection functions to improve the system level reliability, meeting automotive design requirements. The protection functions include programmable two-level over current protection (OCP), input undervoltage protection (UVLO), input over-voltage protection (OVP), and over-temperature protection (TSD). This design considers possible pin fault conditions such as pin open and pin short.. Extra protection mechanisms are also integrated inside the design.

8.3.5.1 Overcurrent Protection

The UCC25800-Q1 transformer driver has two levels of overcurrent protection (OCP).

- The first level (OCP1) triggers if the current through the low-side MOSFET exceeds programmed threshold I_{OCP} during its on-time in each switching cycle for 2.1 ms. Refer to [OCP Threshold Setting](#) for OCP1 threshold programming details.
 - OCP1 detection is based on only the low-side MOSFET current, when the SW pin current flows into the SW pin
- The second level (OCP2) triggers if the current in either the high-side or low-side MOSFET exceeds $5 \times I_{OCP}$ for 100 ns.
 - The OCP2 threshold is set significantly above OCP1 threshold to allow the unit to cope with heavy load surges for a short duration, or during the start-up to charge the large output capacitor. If OCP2 is exceeded, it indicates that there is a serious fault in the system. OCP2 tracks OCP1 so that events like output overload can still trip OCP2, even if the current limit is set well below the maximum current limit of the transformer driver.
- During soft-start
 - The OCP1 is disabled
 - The OCP2 threshold is fixed at its maximum value of 5 A
- After soft-start
 - OCP1 is enabled, with the threshold I_{OCP} equal to the programmed value
 - OCP2 threshold becomes 5 times of the programmed I_{OCP} level.
- The OCP1 overcurrent timer is implemented as an up-down counter to ensure that the repetitive short over-current events as well as a sustained 2.1-ms over current trigger the OCP.

- OCP1 overcurrent timer counts up if the SW current crosses I_{OCP} for longer than 100 ns in each switching cycle
- OCP1 overcurrent timer counts down if the SW current does not cross I_{OCP} for longer than 100 ns in the entire switching cycle
- The internal counter for OCP1 overcurrent timer counts up in 2.1 ms from 0 to the trip threshold and counts down in 180 ms from the trip threshold down to 0.
- OCP2 detection has an analog filter which filters out pulses of less than 100 ns.

The transformer driver imposes a restart time of 100 ms before restarting from overcurrent protection to maintain the RMS current in the transformer driver below its limit. The OCP behaviors are illustrated in [Fig 8-10](#) and [Fig 8-11](#).

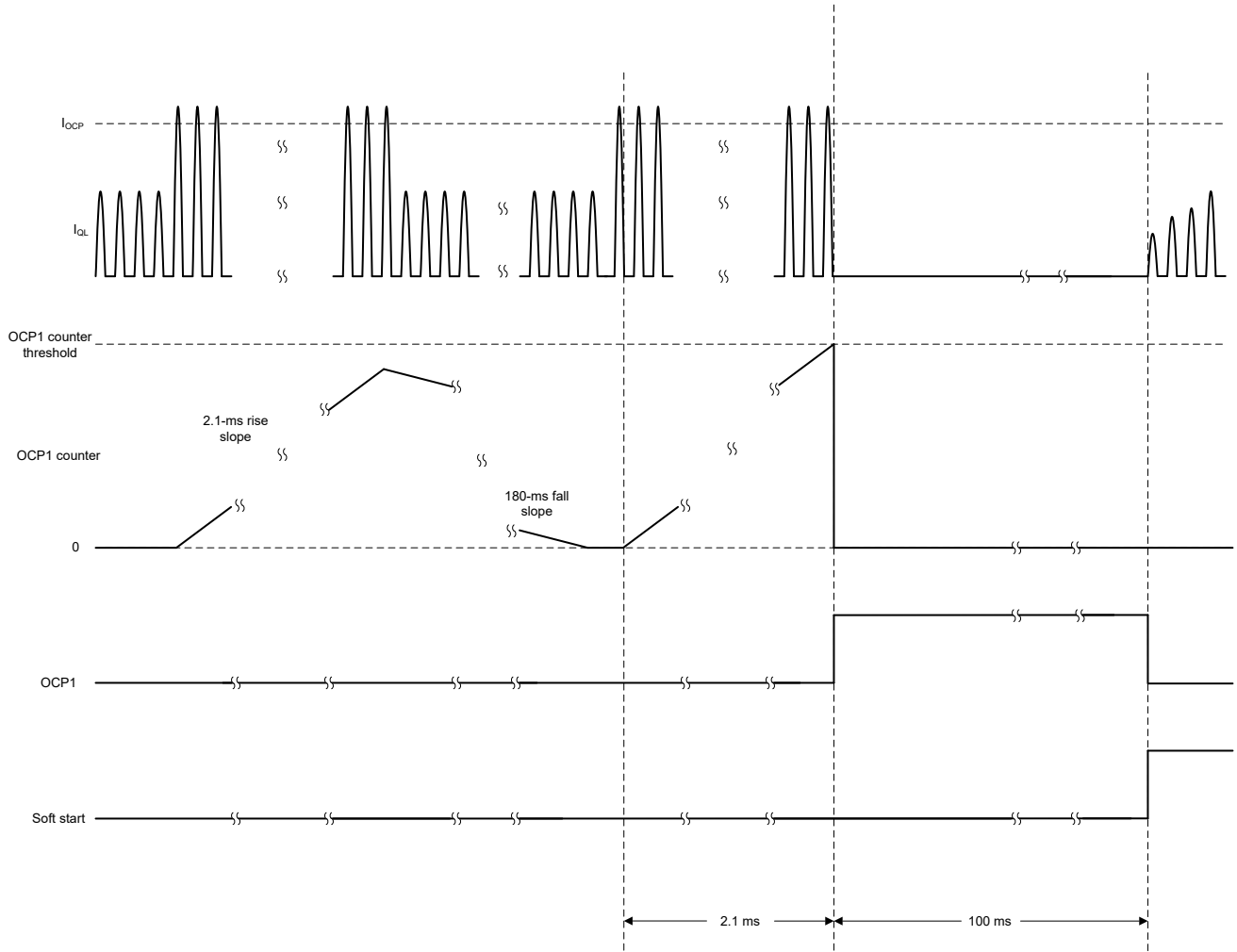


Fig 8-10. OCP1 protection and recovery behavior

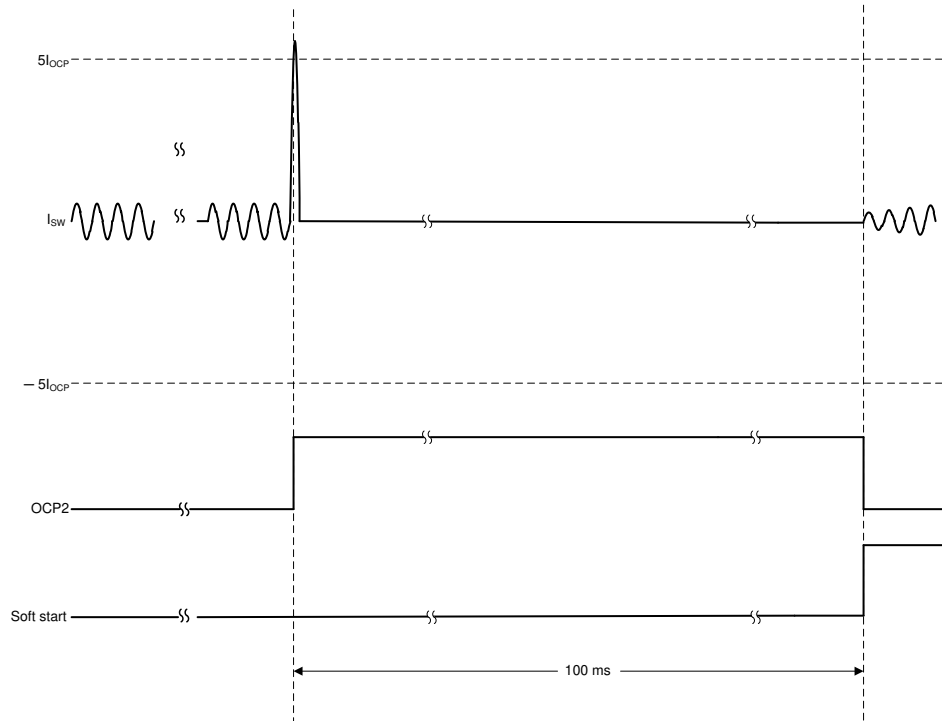


图 8-11. OCP2 protection and recovery behavior

8.3.5.1.1 OCP Threshold Setting

The UCC25800-Q1 transformer driver can support 6-W output power with 24-V input. For designs with lower power levels, the overcurrent protection (OCP) threshold can be adjusted accordingly to limit the maximum output power to improve the system reliability.

The OCP threshold setting shares the same pin as the maximum dead-time programming through OC/DT pin. During the transformer driver start-up sequence (after its VREG pin settles down to its final value) an internal 50- μ A current source flowing out of OC/DT pin is turned on and off. The voltage on the OC/DT pin is measured at the current source on and off conditions. The measured voltage difference is used to set the OCP threshold. After the OCP setting is determined, the current source is turned off, so that the voltage on the OC/DT pin can be used for the maximum dead-time setting.

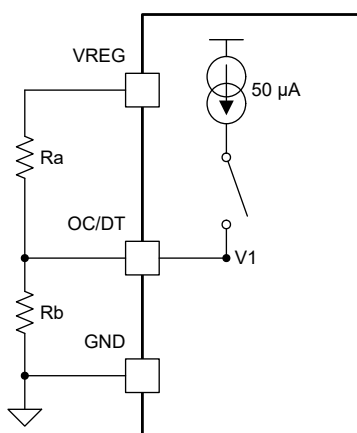


图 8-12. Current Source On

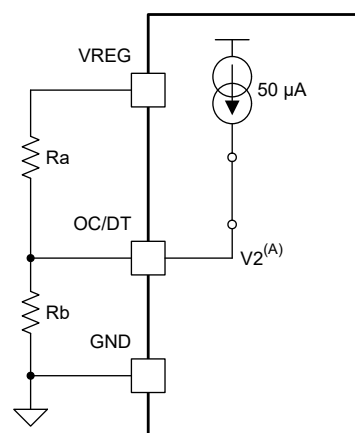


图 8-13. Current Source Off

According to the Thevenin theorem, the measured voltage difference is the current source multiplied by the Thevenin resistance on the voltage divider on OC/DT pin. The OCP settings using different Thevenin resistance are summarized in 表 8-1. The Thevenin resistance can be calculated using 式 5.

$$R_{th} = \frac{R_a \times R_b}{R_a + R_b} \quad (5)$$

表 8-1. OCP Settings

	OCP1_1	OCP1_2	OCP1_3	OCP1_4	OCP1_5	OCP1_6
R_{th}	22.25 kΩ ~ 23.15 kΩ	16.4 kΩ ~ 17 kΩ	11.7 kΩ ~ 12.1 kΩ	7.95 kΩ ~ 8.25 kΩ	4.9 kΩ ~ 5.1 kΩ	2.45 kΩ ~ 2.55 kΩ
OCP1 threshold (I_{OCP})	$1/6 I_{OCP1max}$	$1/3 I_{OCP1max}$	$1/2 I_{OCP1max}$	$2/3 I_{OCP1max}$	$5/6 I_{OCP1max}$	$I_{OCP1max}$
OCP2 threshold during soft-start	5 A	5 A	5 A	5 A	5 A	5 A
OCP2 threshold after soft-start	$5/6 I_{OCP1max}$	$5/3 I_{OCP1max}$	$5/2 I_{OCP1max}$	$10/3 I_{OCP1max}$	$25/6 I_{OCP1max}$	$5 I_{OCP1max}$

To ensure accurate reading of the Thevenin resistance, the time constant of R_{th} and any capacitance connected to the OC/DT pin should not be greater than 20 μs. For this reason, the maximum recommended capacitance on the pin is 1 nF. It is not required to add capacitance to the pin.

The OC/DT pin voltage during start-up is illustrated in 図 8-14.

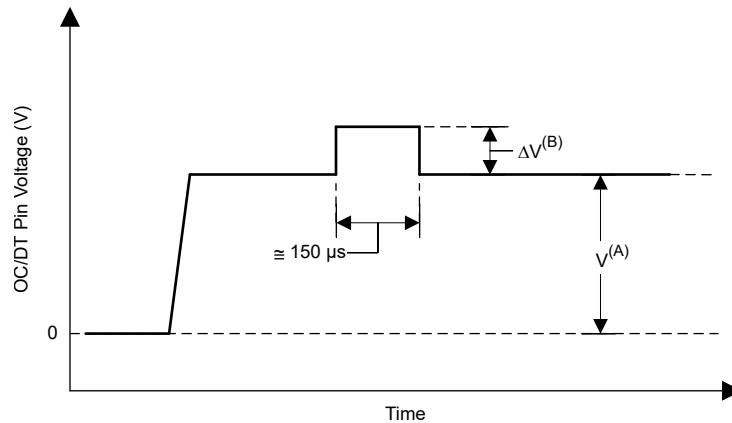


図 8-14. OC/DT pin voltage during start-up

A. $V = V_{REG} \times \frac{R_b}{R_a + R_b} \quad (6)$

B. $\Delta V = 50 \mu A \times R_{th} \quad (7)$

8.3.5.1.2 Output Power Capability

図 8-15 shows the output power capability of the UCC25800-Q1 transformer driver at different input voltages and switching frequencies with its highest OCP set-point ($I_{OCP} = I_{OCP1max} = 1 A$), based on an input-output efficiency of 90%. There are two limiting factors on the power handling capability of the transformer driver; the OCP1 threshold and the thermal stress.

OCP1 serves as an over-power limit rather than over current protection since it has a 2.1-ms timer. Given its maximum value is 1 A and considering the sinusoidal current shaped, transformer driver limits its maximum output power proportionally to the input voltage. In 図 8-15, the 100-kHz line is approximately the OCP1 limit.

The thermal limitation is to prevent the junction temperature of the transformer driver from becoming too high. Assuming its loss is only the IC bias consumption and the MOSFET conduction loss, at 125°C ambient

temperature and 90% efficiency, the maximum output power creates the loss to make the junction temperature reach 150°C. 図 8-15 shows that with higher the switching frequency, the IC power consumption increases and the maximum power capability decreases.

The power handling capability can be increased by increasing the input voltage or lowering the switching frequency, but it cannot exceed the OCP1 limit.

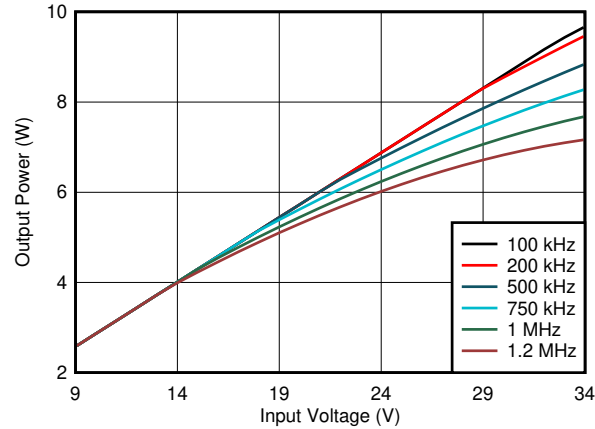


図 8-15. Power rating curves

8.3.5.2 Input Overvoltage Protection (OVP)

Due to the lack of feedback, UCC25800-Q1 transformer driver includes input overvoltage protection to prevent the output voltage from becoming too high, in case its input voltage becomes too high. If the VCC pin voltage exceeds the overvoltage set-point of OV_{SD} for overvoltage blanking time (OV_{BLNK} , 1.3 μs typical), the input overvoltage protection is triggered. When the input overvoltage protection is triggered, the fault mode is activated, stops the switching, and discharges the $\overline{DIS/FLT}$ pin and disables the transformer driver. Before restarting from an OVP fault, the input voltage must be below the OVP recovery threshold OV_{RS} . The transformer driver attempts to restart after 100 ms as described in セクション 8.4.5.

The overvoltage protection threshold is a fixed value and cannot be programmed.

8.3.5.3 Over-Temperature Protection (TSD)

Over-temperature protection is required, primarily to stop the internal MOSFETs from failing in either high ambient temperature operation conditions or due to self-heating from high switching current. An over-temperature condition occurs when the junction temperature goes above the TSD threshold of 160°C (typical). In this case, the fault mode is activated, the switching stops, discharging the $\overline{DIS/FLT}$ pin and disabling the UCC25800-Q1 transformer driver. Before restarting from a TSD fault, the junction temperature must be below the overtemperature protection recover threshold ($TSD-T_{HYST}$). Over-temperature protection parameters are specified by design.

8.3.5.4 Pin-Fault Protections

表 8-2 below shows the UCC25800-Q1 transformer driver response to open and short circuits on the pins. For example, the SYNC function operates on the rising edge of the SYNC pin. Hence if the pin is open or short the only impact is the loss of synchronization functionality. The transformer driver continues to operate as normal at the switching frequency programmed by the RT pin. .

表 8-2. Pin Open and Short Response

PIN	OPEN	SHORT TO GND
SYNC	Normal operation with the programmed frequency	Normal operation with the programmed frequency
$\overline{DIS/FLT}$	Normal operation	OFF
VREG	OFF (VREG open protection)	OFF
OC/DT	Fault (OC/DT open protection)	Fault (OC/DT short protection)

表 8-2. Pin Open and Short Response (continued)

PIN	OPEN	SHORT TO GND
RT	$f_{SW} = 1.2 \text{ MHz}$	Fault (RT short protection)
GND	Unknown	-
SW	$V_{OUT} = 0$	Fault (OCP) / ✖
VCC	OFF	OFF

表 8-3. Pin-to-Pin Shorts Responses

1 2 3	SYNC	DIS/FLT	VREG	OC/DT	VCC	SW	GND	RT
SYNC	-							
DIS/FLT	- / OFF	-						
VREG	No SYNC	Always enabled	-					
OC/DT	- / OC/DT Fault	Indeterminate	Fault (OC/DT_OPEN)	-				
VCC	✖	✖	✖	✖	-			
SW	✖	OCP Fault / ✖	✖	Fault / ✖	Fault / ✖	-		
GND	No SYNC	OFF	OFF	Fault (OC/DT_SHORT)	IC not biased	Fault (OCP) / ✖	-	
RT	Indeterminate	Indeterminate	Fault (RT_OPEN)	Indeterminate	✖	✖	Fault (RT_SHORT)	-

- ✖ indicates that the transformer driver will or may become damaged.
- indicates no effect on the circuit operation.
- Indeterminate indicates the IC behavior is unpredictable

8.3.5.5 VREG Pin Protection

The VREG pin is an internal linear regulator output and the bias pin for most of the internal circuits. It is important to ensure a good regulated voltage on VREG pin. A low ESL decoupling capacitor is recommended between VREG to GND. The layout should follow the [Layout Guidelines](#).

VREG pin is equipped with two sets of protection functions to prevent the pin from being left open or over loaded from external circuit.

When VREG pin is left open, since there is no decoupling capacitor, the internal linear regulator becomes unstable. The UCC25800-Q1 transformer driver detects this condition, stops the operation, shuts down the internal linear regulator, and enters the latch-off mode. VCC must be recycled to clear this protection.

To prevent VREG pin from being over-loaded, the VREG pin has its own over-current protection. During start-up, when VREG pin voltage is below 1 V, the VREG pin current is limited to 15-mA, to protect the IC from short or over-load conditions. When the VREG pin voltage rises above 1 V, the VREG pin current limit increases to 40 mA for a fast start-up. When the voltage crosses the $V_{REG_{OK}}$ value, the VREG pin current limit returns to 15 mA. Because the VREG pin provides current for both internal circuit and external circuit, it is recommended to maintain the VREF pin external load to a value less than 1 mA. When the external VREG-pin current is between 1 mA and 15 mA, excessive VREG pin current can cause the VREG pin voltage to drop. During normal operation, if the VREG pin is over loaded and its voltage drops below the $V_{REG_{low}}$ threshold, the transformer driver shuts down the linear regulator and enters latch-off mode. VCC must be recycled to clear this protection.

8.3.6 DIS/FLT Pin operation

The DIS/FLT pin is an input/output pin. It can be

- Externally driven to enable or disable the transformer driver
- Read as a status flag telling whether the transformer driver is in fault mode or not and specifically what fault it is
- Left floating to enable the transformer driver by default

Internally the pin is tied high through a 100-k Ω pullup resistor from VREG. This pullup resistor activates only after the VREG pin is high. If the UCC25800-Q1 transformer driver enters the fault mode, the $\overline{\text{DIS/FLT}}$ pin is pulled low internally via a 750- μA current source. When the pin is low, switching is inhibited.

The $\overline{\text{DIS/FLT}}$ internal pulldown current source is activated during the power-up sequence once the VCC voltage exceeds the UVLO rising threshold. After the VREG voltage has risen above the VREG_{OK} threshold, the pulldown current source is released and the $\overline{\text{DIS/FLT}}$ pin rises (unless it is externally pulled down). When the $\overline{\text{DIS/FLT}}$ pin voltage exceeds the EN_{TH} threshold, the transformer driver is enabled. When $\overline{\text{DIS/FLT}}$ pin falls below the DIS_{TH} the transformer driver is disabled. When the transformer driver is disabled its power consumption is reduced to IVCC_{DIS}.

If there is concern about noise coupling to the $\overline{\text{DIS/FLT}}$ pin it can be pulled up with an external resistor to an external rail or to VREG. In order to read the pin as a status flag, the external resistor value must be high enough that the 750- μA current source can pull the pin below the threshold level of the device reading the pin. It is recommended that the value for an external pullup resistor to 5 V is 10 k Ω and the value for an external pullup resistor to 3.3 V is 4.7 k Ω in order for the pin to be read as a fault output.

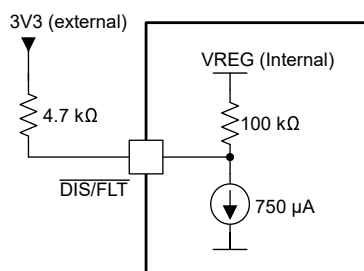


图 8-16. External Pullup for 3.3-V Supply

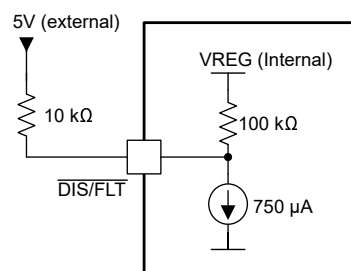


图 8-17. External Pullup for 5-V Supply

If the $\overline{\text{DIS/FLT}}$ pin functionality is not required, it can be left floating or tied to VREG to allow the transformer driver to operate normally.

8.3.6.1 FAULT Codes

When the UCC25800-Q1 transformer driver enters fault mode, it outputs a train of pulses to indicate which faults have occurred through the $\overline{\text{DIS/FLT}}$ pin. The pulse train consists of a number 50% duty cycle pulses at 50 kHz, (that is, 10- μs wide pulses), where the number of pulses indicates the fault listed in 表 8-4. The pulse train is created through controlling the internal 750- μA pull-down current source, together with the 100-k Ω pull-up resistor.

表 8-4. Fault codes

NO. OF PULSES	FAULT
1	OCP1
2	OCP2
3	Input overvoltage protection
4	Over temperature protection
5	DT out of range
6	OC/DT open
7	OC/DT short
8	RT short
9	OTP (one-time-programmable bit) error

The pulse train starts 10 μs after the fault has been asserted. Transmission of the fault code begins with a 100- μs wide high pulse. If more than one fault is detected, the codes are transmitted successively based on the order in 表 8-4, separated by a 100- μs wide high pulse, as shown below in 图 8-18.

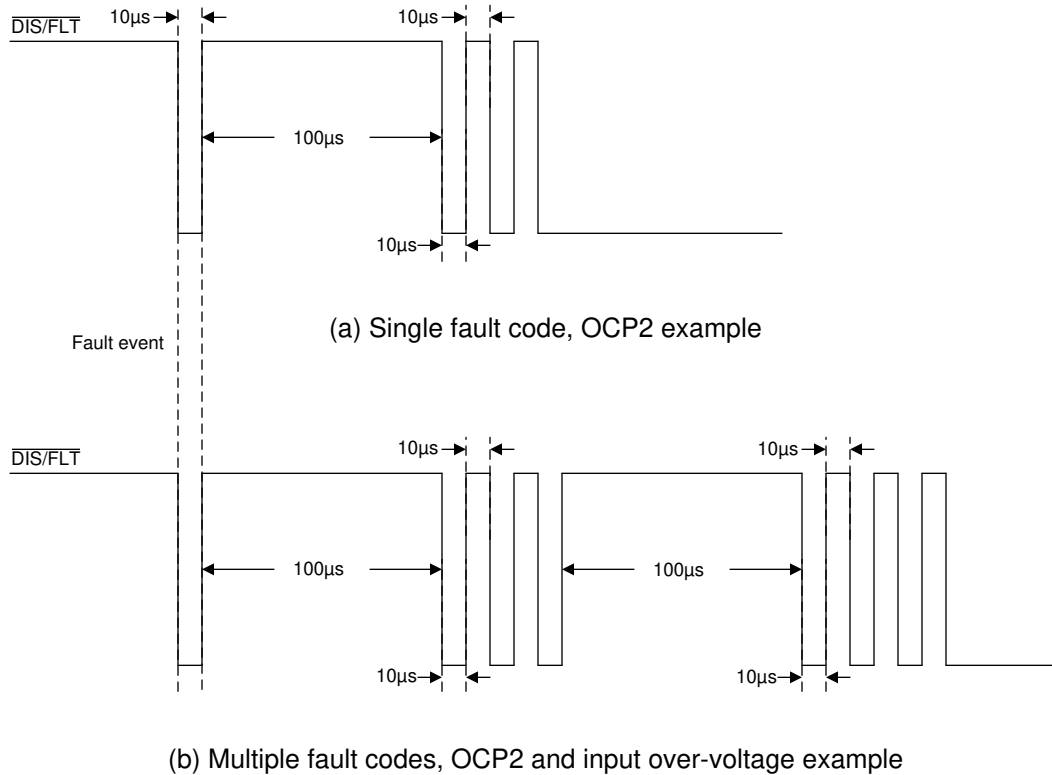


图 8-18. Fault code diagram

8.4 Device Functional Modes

Depending on the operating condition, the UCC25800-Q1 transformer driver can operate in different modes, including UVLO, soft-start, normal operation, disabled and the fault modes.

8.4.1 UVLO Mode

When the input voltage on VCC is less than the transformer driver UVLO threshold, the transformer driver is disabled. There is no switching on the SW pin and VREG is off.

8.4.2 Soft-start Mode

After the VCC voltage is above the UVLO threshold, all the faults are cleared, and $\overline{\text{DIS/FLT}}$ is released, the converter operates in the soft-start mode. During the soft-start period, the switching frequency gradually decreases to reduce the current stress. The soft-start period duration is 1.5 ms. The UCC25800-Q1 transformer driver always operates in soft-start mode during startup or after fault recovery. Refer to [セクション 8.3.2](#) for more details of soft-start mode.

8.4.3 Normal Operation Mode

Most of the cases, the UCC25800-Q1 transformer driver operates in the normal operation mode. The switching frequency is fixed, determined by either the RT pin voltage or external synchronization signal.

8.4.4 Disabled Mode

When the $\overline{\text{DIS/FLT}}$ pin is pulled low externally, the UCC25800-Q1 transformer driver enters disabled mode. In this mode, the VREG pin is regulated while the SW pin remains off. The VCC current consumption reduces to the disable current $I_{\text{VCC_DIS}}$.

8.4.5 Fault Modes

Occasionally, different fault conditions occur and the UCC25800-Q1 transformer driver protects the system from more severe damage by entering the following fault modes.

表 8-5. Fault Mode Summary

FAULT	DESCRIPTION
Overcurrent (OCP1)	OCP1 occurs when the current in the internal low-side MOSFET during the low-side MOSFET on time exceeds I_{OCP} for 2.1 ms. UCC25800B-Q1 disables the OCP1 fault action.
Overcurrent (OCP2)	OCP2 occurs when the current in either MOSFET exceeds five times of the I_{OCP} for more than 100 ns. UCC25800B-Q1 keeps the same OCP2 setting and fault action as UCC25800-Q1.
Over temperature (TSD)	Over temperature protection (TSD) occurs when the junction temperature goes above TSD threshold.
Input overvoltage	Input overvoltage protection occurs when VCC voltage is above the overvoltage shut-down (OV_{SD}) threshold for more than 1.3 μ s.
OC/DT open	OC/DT open protection occurs if the OC/DT pin exceeds 4.5 V after the OCP check has been completed.
OC/DT short	OC/DT short protection occurs if the OC/DT pin falls below 500 mV.
OC/DT out of range	OC/DT out-of-range protection occurs when the OC/DT pin voltage is between 3.95 V and 4.5 V during the OCP programming check.
RT short	RT short protection occurs when RT pin is below 150 mV.
OTP error	OTP error fault occurs when, during the OTP reading at start-up, the OTP sanity check fails. In case of OTP error fault, only OTP error fault code is transmitted while all other faults are ignored. The OTP error fault can be cleared only with a power cycle that forces a new OTP reading.

When any fault occurs the switching is immediately (after individual detection delays) stopped. The $\overline{DIS/FLT}$ pin is internally pulled down. After the fault codes are transmitted, the transformer driver current consumption is reduced to $IVCC_{DIS}$. The VREG regulator remains enabled and the RT pin remains at its programmed level.

When the transformer driver enters fault mode it pulses the pull-down current on the $\overline{DIS/FLT}$ pin on and off to output a fault code and signal which fault has been triggered as explained in [セクション 8.3.6.1](#).

After a delay time of 100 ms, the $\overline{DIS/FLT}$ pin is released and, if it is not pulled low externally. When it crosses the EN_{TH} , the transformer driver is enabled, the power up sequence occurs and the switching can start again. Before starting switching, the faults are checked again. If the protection that caused the fault condition still presents, or a new protection is triggered, the switching is not started and a new fault condition is asserted; fault codes are transmitted again. And the transformer driver current consumption is reduced to $IVCC_{DIS}$. This fault and power-up sequence is automatically cycled until all the faults are cleared.

9 Application and Implementation

注

以下のアプリケーション情報は、TI の製品仕様に含まれるものではなく、TI ではその正確性または完全性を保証いたしません。個々の目的に対する製品の適合性については、お客様の責任で判断していただくことになります。お客様は自身の設計実装を検証しテストすることで、システムの機能を確認する必要があります。

9.1 Application Information

The isolated bias supply is required in many applications, such as the gate driver bias for the traction inverters, on board chargers in electrical vehicles. It is also used in other sensing and control circuits in the electrical vehicles to minimize the noise or provide safety isolation. The open-loop LLC converter based on the UCC25800-Q1 transformer driver provides a reliable solution for these applications. It uses the open-loop control to improve the noise immunity. The LLC topology is able to operate at a higher switching frequency with soft switching, achieve high efficiency and low EMI, reducing the transformer size. Furthermore, the LLC topology is able to absorb the transformer leakage inductance as part of the resonant circuit. This absorption allows the transformer to have extremely low primary side to secondary side parasitic capacitance, which reduces the system level common-mode noise. The LLC topology also helps to simplify the transformer construction and reduces the transformer cost.

9.2 Typical Application

In the automotive traction inverters or on-board chargers, a regulated bus voltage is often generated from the 12-V battery and then processed by the isolated bias supplies to provide the gate driver bias power for the inverter switches, as shown in [図 9-1](#). The isolated bias supply can be used to bias the high-side drivers or low-side drivers, to provide the isolation for function, safety, or noise immunity.

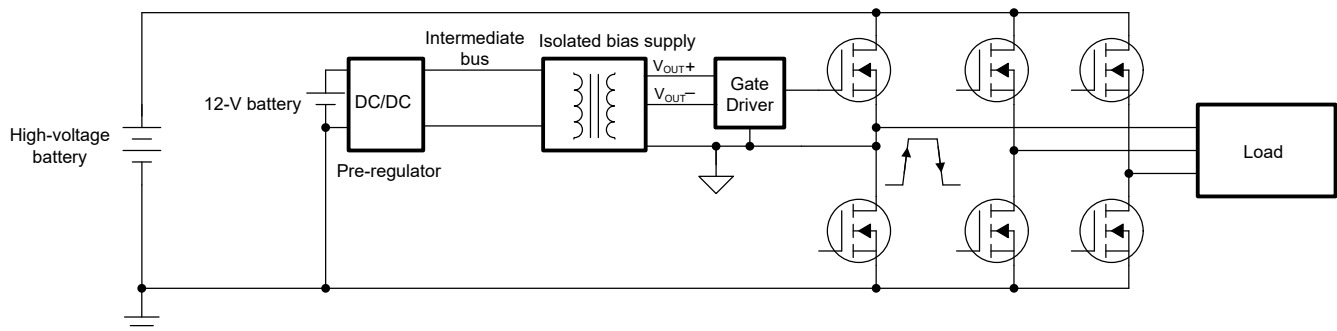


図 9-1. Gate driver bias supply example for automotive traction inverter

When the isolated based bias supply used in the inverter applications, especially for the high side switches, the high dv/dt on the inverter switch-node can couple through the bias supply transformer and causes extra EMI noise, as demonstrated in [図 9-2](#).

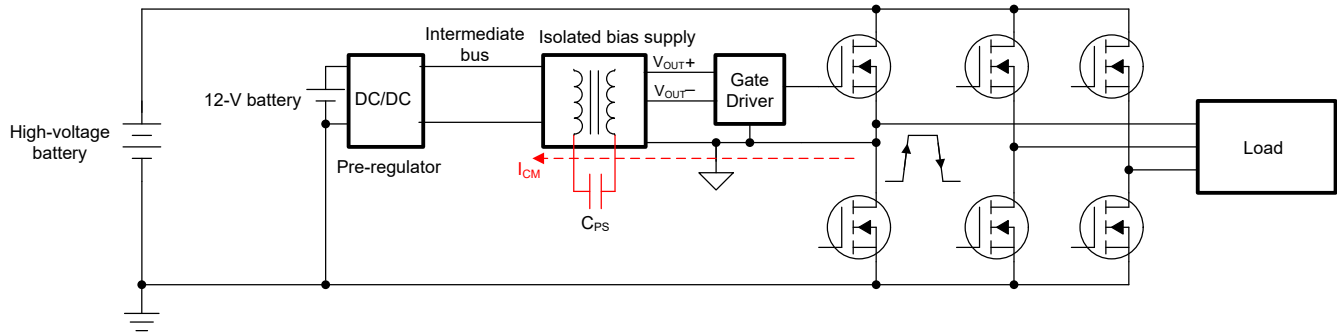


图 9-2. Noise coupling path from inverter power stage to isolated bias supply

Given the high dv/dt is caused by the inverter power stage, to minimize this noise coupling, it is desired to minimize the transformer primary side to secondary side parasitic capacitor (inter-winding capacitor) C_{PS} . Popular topologies, such as Flyback or Push-pull, require the minimum leakage inductance to improve the efficiency, reduce the voltage and current stress, as well as minimize the noise created by the converter. In turn, this type of transformers suffer from larger inter-winding capacitance. When they are used in the gate driver bias supply applications, the high dv/dt from the inverter power stage could be coupled through the transformer inter-winding capacitor to the low-voltage side. This creates a much severe EMI noise issue. Instead, the LLC topology utilizes the transformer leakage inductance as its resonant component, allowing the converter to use a transformer with larger leakage inductance but much smaller inter-winding capacitance. This results in less system EMI noise challenges.

9.2.1 LLC Converter Operation Principle

Different than the traditional PWM converters, LLC converters adjust the output voltage through varying the switching frequency. It is often called a PFM (pulse frequency modulation) converter. As shown in 图 9-3, the LLC converter has three resonant elements, the resonant inductor (L_r), the magnetizing inductor (L_m), and the resonant capacitor (C_r). In the isolated bias supply design, the transformer leakage inductor, and the magnetizing inductor can be used as part of the resonant circuit. In this case, the only external resonant component is the resonant capacitor.

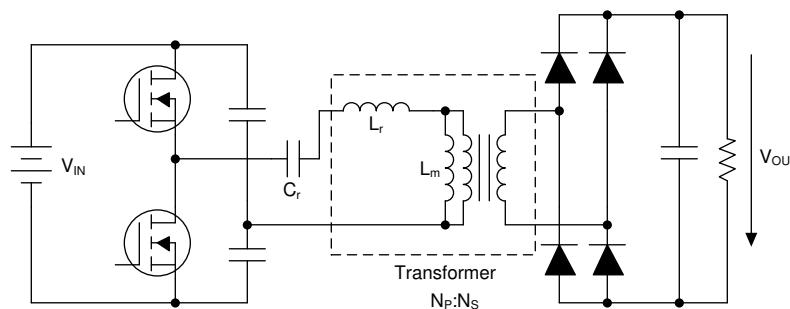


图 9-3. LLC Converter

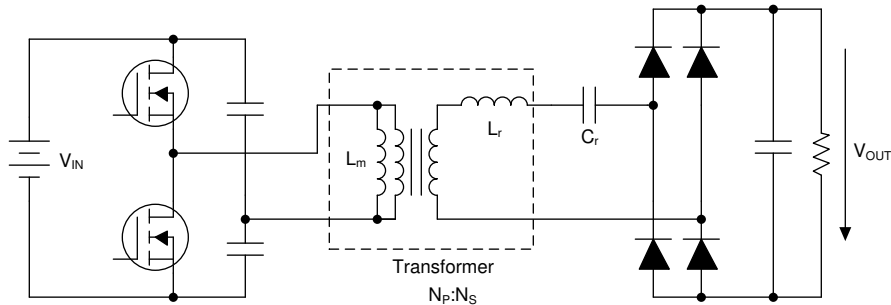
At the resonant switching frequency (series resonant frequency of L_r and C_r), the impedance of the resonant tank (L_r and C_r) is equal to zero. The input and output voltage are virtually connected together through the transformer. Therefore, the gain of the converter is equal to the transformer turns ratio, as shown in 式 8.

$$\frac{V_{OUT}}{V_{IN}} = \frac{1}{2} \frac{N_S}{N_P} \tag{8}$$

In this equation, the $\frac{1}{2}$ comes from the half-bridge architecture that the transformer primary side only sees half of the input voltage.

UCC25800-Q1 transformer driver controls the LLC converter to operate at a fixed switching frequency very close to the resonant frequency, to create an output voltage proportional to the input voltage, through a transformer

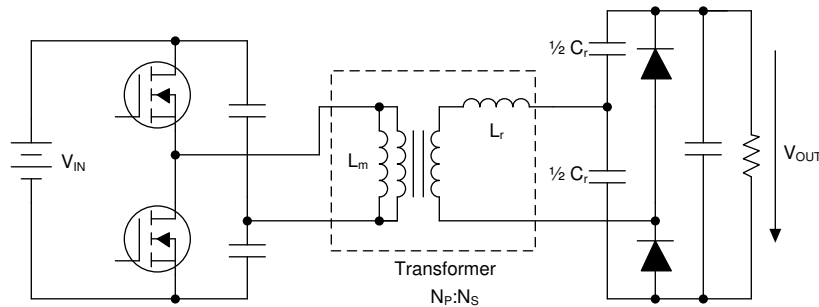
turns-ratio. Depending on the location of the resonant capacitor, the LLC converter can be configured as primary-side resonant (as shown in 9-3), or secondary-side resonant (as shown in 9-4). When the resonant capacitor is moved to the secondary side, the magnetizing inductor no longer affects the converter gain. Therefore, the converter is less sensitive to the switching frequency and resonant component tolerances. The secondary-side resonant is more suitable for the open-loop LLC converter and it is a preferred configuration for transformer driver.



9-4. Secondary side resonant LLC converter

Furthermore, the secondary-side full-wave rectifier can be replaced with a voltage-doubler rectifier. Together with splitting the resonant capacitor into two, as shown in 9-5, the converter configuration becomes simpler and fewer diodes are used. In this case, the transformer primary side sees half of the input voltage and the transformer secondary side sees half of the output voltage. The converter voltage gain becomes purely the transformer turns-ratio, as shown in 9.

$$\frac{V_{OUT}}{V_{IN}} = \frac{N_S}{N_P} \tag{9}$$



9-5. Secondary side resonant LLC converter with voltage doubler rectifier

The LLC operation waveforms are shown in 9-6, when switching frequency is equal to the resonant frequency or below the resonant frequency.

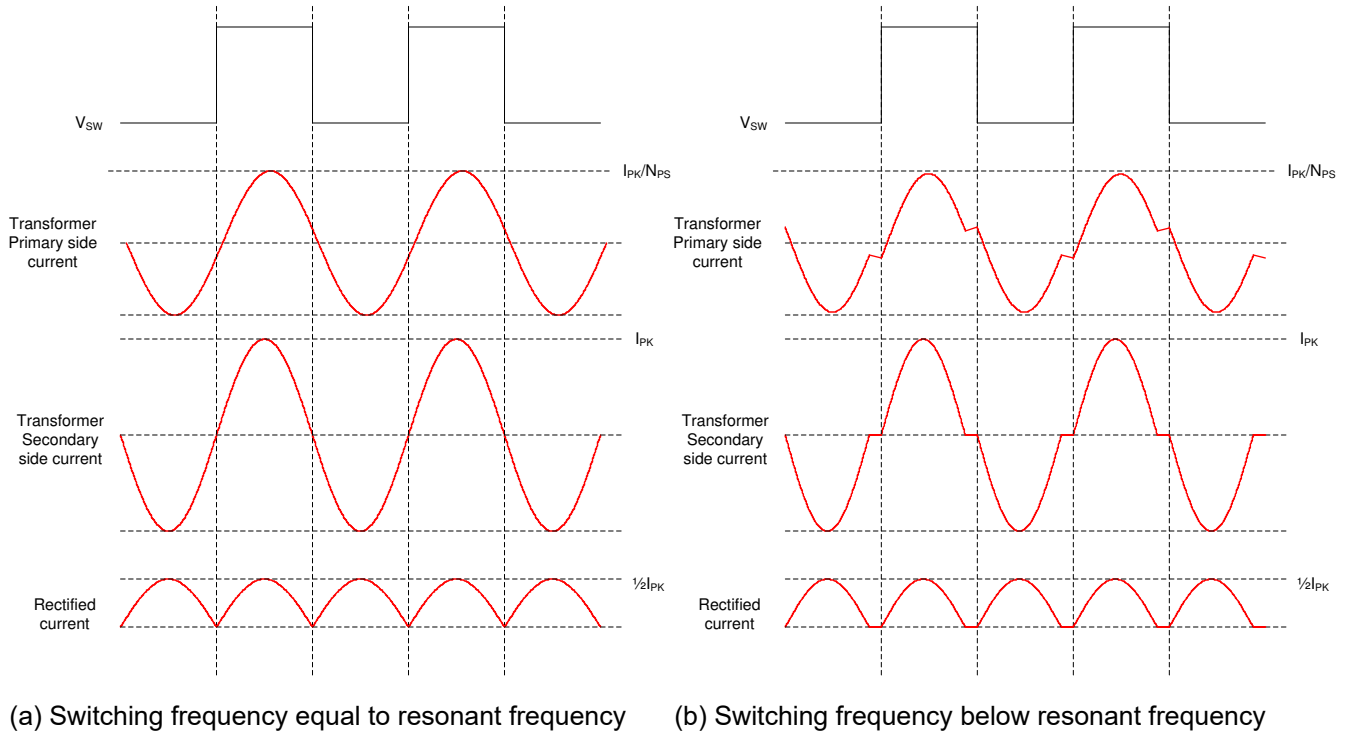


图 9-6. LLC converter operation waveforms

9.2.2 Design Requirements

A 2-W traction inverter gate driver bias supply design demonstrates the design process based on the UCC25800-Q1 transformer driver.

表 9-1. Electrical Performance Specifications

PARAMETER	TEST CONDITIONS	MIN	NOM	MAX	UNIT
Input Characteristics					
V _{IN} , Input voltage, DC			15		V
Output Characteristics					
V _{OUT1} , set point, DC		17.93	18.10	18.27	V
I _{OUT1} , output current range		0		85	mA
V _{OUT1} , regulation	I _{OUT1} = I _{OUT2} , 0 to full load	-1.0		1.0	%
V _{OUT2} , set point		-5.02	-4.98	-4.94	V
I _{OUT1} , output current range		-85		0	mA
V _{OUT2} , regulation	I _{OUT1} = I _{OUT2} , 0 to full load	-1.0		1.0	%
V _{OUT1} , peak to peak ripple	I _{OUT1} = I _{OUT2} , full load		50		mV
V _{OUT2} , peak to peak ripple	I _{OUT1} = I _{OUT2} , full load		35		mV
System Characteristics					
f _{SW} , switching frequency	Normal operation		500		kHz
I _{OC} , Over current limit			100		mA

9.2.3 Detailed Design Procedure

The design of the isolated bias supply based on the UCC25800-Q1 transformer driver involves both the power-stage design and the controller parameters design.

The power-stage design involves the selection of the transformer and the resonant capacitors. Traditionally, the LLC transformer design is complicated because the design goal is to optimize the efficiency performance, the input and output voltage ranges, achieving ZVS, as well as minimizing the size of the transformer. It is a lot easier when design the transformer for the isolated bias supply because the design goal is to make it simple and robust. The efficiency is important but not critical since the gate driver power is a tiny portion of the overall system power.

Step 1: Transformer turns-ratio selection

Because this isolated bias supply operates with open-loop control, the voltage accuracy is not able to get down to 1%. The post regulators, such as a linear regulator can be used to achieve 1% regulation accuracy. Therefore, when designing the LLC converter output voltage, the headroom for the post regulator stage needs to be considered.

At the resonant frequency, together with the voltage doubler output, the LLC converter voltage gain is equal to the transformer turns-ratio. Therefore, the transformer turns-ratio can be calculated as:

$$\frac{N_P}{N_S} = N_{PS} = \frac{V_{IN}}{V_{OUT1} + V_{OUT2} + 2 V_F + V_{headroom}} = \frac{15V}{18V + 5V + 2 \times 0.5V + 1V} = \frac{15V}{25V} = 0.6 \quad (10)$$

Where:

- V_F is the output diode forward voltage drop
- $V_{headroom}$ is the extra headroom needed for the post regulator

Step 2: Calculate transformer volt-second rating

The transformer volt-second rating on the primary side can be calculated as:

$$VS = \frac{V_{IN}}{2} \times \frac{1}{4f_{SW}} = \frac{15V}{2} \times \frac{1}{4 \times 500kHz} = 3.75V\mu s \quad (11)$$

Step 3: Calculate the transformer currents

The transformer sees highest RMS current right before over current protection. According to [图 9-6](#), the output current is equal to the average current of the secondary-side rectified current. When load current is at the over current protection level of 100 mA, the primary side current can be calculated. The transformer primary-side and secondary-side peak and RMS current can be calculated based on [式 12](#) through [式 15](#).

$$I_{rmsS} = \frac{\pi}{\sqrt{2}} I_{OC} = \frac{\pi}{\sqrt{2}} \times 100mA = 222mA \quad (12)$$

$$I_{pkS} = \sqrt{2} I_{rmsS} = 314mA \quad (13)$$

$$I_{rmsP} = \frac{I_{rmsS}}{N_{PS}} = \frac{222mA}{0.6} = 370mA \quad (14)$$

$$I_{pkP} = \frac{I_{pkS}}{N_{PS}} = \frac{314mA}{0.6} = 523mA \quad (15)$$

From step 1 through 3, the key transformer information can be summarized in [表 9-2](#). It can be used to share with transformer vender to get the transformer designed and manufactured. It is recommended to leave some design margins (30%~50%) for the current ratings to consider the tolerance of the components.

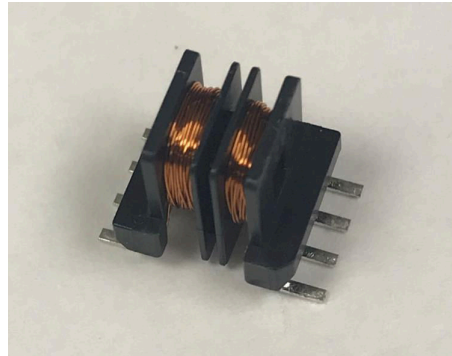
表 9-2. Transformer parameter summary

Parameter Name	Value	Unit
Primary side to secondary side turns ratio	0.6	
Primary side volt-second	3.75	V μ s
Primary side peak current	523	mA
Primary side RMS current	370	mA

表 9-2. Transformer parameter summary (continued)

Parameter Name	Value	Unit
Secondary side peak current	314	mA
Secondary side RMS current	222	mA

To minimize the transformer inter-winding capacitance, the split chamber bobbin is recommended, as shown in [图 9-7](#).

**图 9-7. Split chamber bobbin**

Another key transformer parameter is the magnetizing inductance. In traditional LLC converter design, the magnetizing inductor is used to achieve ZVS and the desired voltage gain to cover the entire input and output voltage range. Given the open-loop LLC operates with fixed input and output voltages, the sole goal of the magnetizing inductor is to achieve ZVS. Based on the ZVS criteria, the design target of the magnetizing inductance can be calculated based on [式 16](#). In this equation, L_m is the magnetizing inductor value, t_d is the dead-time, f_{SW} is the switching frequency, and C_{SW} is the SW-pin parasitic capacitance (it has a typical value of 170 pF). With 500-kHz switching frequency and 50-ns of dead-time, the magnetizing inductance can be calculated as 73.5 μ H. This inductor value gives an initial design target of the transformer and the final value can be different. If the magnetizing inductance is larger, it does not have enough magnetizing current to achieve full ZVS. With the low input voltage and small parasitic capacitance on the switch node, partial ZVS still brings in the EMI and loss reduction benefit. If the magnetizing inductance is smaller than the target, it'll create more current than needed, which results in extra conduction loss. But the loss increase is limited without causing concerns on the thermal stress or efficiency. Normally, it is recommended to use the core without an air gap, and the transformer magnetizing inductance is more than 20 times higher than the leakage inductance. Otherwise, a minimum air gap is recommended without causing extra manufacture cost.

$$L_m = \frac{t_d}{8C_{SW}f_{SW}} \quad (16)$$

Based on the calculation results, Würth transformer 750319177 is selected to be the transformer. It has a turns ratio of $N_{PS} = 1:1.67$, which is 0.6. The magnetizing inductance measured from primary side is 16.5 μ H and the leakage inductance measured from primary side is 0.75 μ H. Given the secondary-side resonant is used, the leakage inductance should be measured from secondary side, with primary side shorted, at the resonant frequency. The secondary-side leakage inductance is measured as 1.4 μ H.

Step 4: Select resonant capacitor

The resonant capacitor selection is based on the resonant frequency. Choose the resonant tank resonant frequency 10~15% above the switching frequency.

$$C_r = \frac{1}{4\pi^2 L_r f_r^2} = \frac{1}{4\pi^2 L_r (1.1f_{SW})^2} = 60\text{nF} \quad (17)$$

When using the voltage double rectifier, each resonant capacitor value should be half of this value. Therefore, a 22-nF resonant capacitor can be used on each of the resonant capacitor.

Step 5: Choose output capacitor

The output capacitor selection is based on the output voltage ripple requirement. The output capacitor can be calculated based on 式 18. Design the capacitor based on half of the ripple amplitude so that there is margin for the voltage ripple caused by the capacitor ESR. Choose the output capacitor needs to consider both the ripple requirement and the gate driver requirement. A 10-μF capacitor can be used in this case. It should be noticed that the ceramic capacitor loses its capacitance when the voltage is applied.

$$C_{OUT} > \frac{0.421 \times I_{OUT}}{4V_{ripple}f_{SW}} = \frac{0.421 \times 85\text{mA}}{4 \times 50\text{mV} \times 500\text{kHz}} = 0.358\mu\text{F} \quad (18)$$

Step 6: Choose primary side DC blocking capacitor

The primary-side half-bridge DC blocking capacitors need to be much larger than the resonant capacitor. Given the high-switching frequency design, low ESR X7R capacitors with value between 1 μF and 10 μF are recommended.

Once the power stage is set up, the programming pins of the IC can be set up accordingly. Given the minimum external components, setting up the UCC25800-Q1 is extremely easy.

Step 7: Setting up RT pin resistor

To set the switching frequency to 500 kHz, according to the description in [Oscillator](#), the RT pin resistor can be calculated as:

$$R_{RT} = \frac{f_{SW}}{10 \frac{\text{Hz}}{\Omega}} = \frac{500\text{kHz}}{10 \frac{\text{Hz}}{\Omega}} = 50\text{k}\Omega \quad (19)$$

Given 50 kΩ is not a standard resistor value, choose an R_{RT} value of 49.9 kΩ.

Step 8: Setting up OC/DT pin resistor divider

The OC/DT pin is a multi-function pin. It sets the maximum dead-time for the adaptive dead-time, and sets the OCP levels for over current protection.

For the dead-time setting, generally choose 5 % to 10% of the switching cycle, as the maximum dead-time. This value can be further adjusted according to the measurement result, depending on the soft switching conditions. 式 3 calculates the voltage on DT/CT pin:

$$V_{OC/DT} = \frac{150\text{ns} \times 1\text{V}}{DT_{MAX}} + 0.9\text{V} = \frac{150\text{ns} \times 1\text{V}}{\frac{0.05}{500\text{kHz}}} + 0.9\text{V} = 2.4\text{V} \quad (20)$$

The OCP setting is determined by the primary-side peak current. In 式 15, the primary-side peak current is calculated as 523 mA. Leaving extra 30% margin, the OCP1 level should be roughly 680 mA. OCP1_4 can be used as the OCP1 setting.

According to 表 8-1, the Thevenin resistance should be between 7.95 kΩ and 8.25 kΩ. We can use the value in the middle to set up the resistor and verify the Thevenin resistance after the resistor values are calculated,

The pull-up resistor can be calculated as

$$R_a = \frac{R_{th} \times V_{REG}}{V_{OC/DT}} = \frac{8.1\text{k}\Omega \times 5\text{V}}{2.4\text{V}} = 16.875\text{k}\Omega \cong 16.9\text{k}\Omega \quad (21)$$

And the pull-down resistor can be calculated as

$$R_b = \frac{R_{th} \times V_{REG}}{V_{REG} - V_{OC/DT}} = \frac{8.1\text{k}\Omega \times 5\text{V}}{5\text{V} - 2.4\text{V}} = 15.58\text{k}\Omega \cong 15.4\text{k}\Omega \quad (22)$$

It can be seen, due to the limited standard resistor value, the selected resistor values are different than the calculated resistor values. The Thevenin resistance needs to be checked. In this case, the Thevenin resistance is 8.058 kΩ and it is within the OCP1_4 setting range.

The UCC25800-Q1 based LLC converter can output a single output. It needs some help to split it into the dual outputs needed for the final designs. Depending on the regulation accuracy requirement, the splitting can be done using a simple Zener diode, a shunt-regulator, or even with a linear regulator, as demonstrated in [Figure 9-8](#).

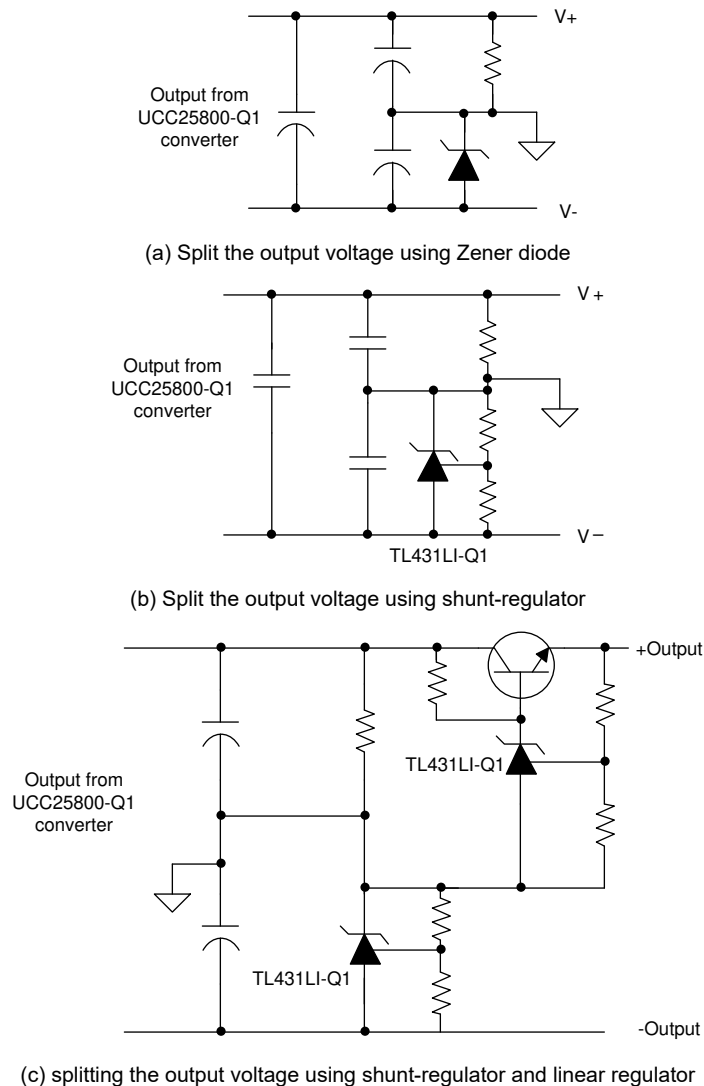


Figure 9-8. Different ways of splitting single output voltage to positive and negative outputs

Using the Zener diode, the negative rail voltage is determined by the Zener voltage and the rest of the output voltage becomes the positive rail. Due to the tolerance of the Zener diode, a shunt-regulator can be used to improve the negative rail voltage accuracy. Furthermore, a linear regulator can be added to improve the positive rail voltage accuracy as well. The designer can choose the right solution based on the performance and cost tradeoffs.

In this design, the shunt-regulator and linear-regulator are used to get 1% accuracy required for the positive and negative rail. ATL431-Q1 is used as the shunt-regulator and the voltage reference for the linear regulator. Given the reference voltage of ATL431-Q1 is 2.5 V, to create 5-V shunt-regulator voltage, a 1-kΩ and 1-kΩ voltage divider can be used to set up the 5-V regulation voltage. On the positive rail side, to create 18-V output voltage, 6.34 kΩ and 1 kΩ can be used to set up the output voltage divider $((6.34+1) \times 2.5V = 18.35V)$.

With all the calculated circuit parameters, the design schematic is shown in [Figure 9-9](#).

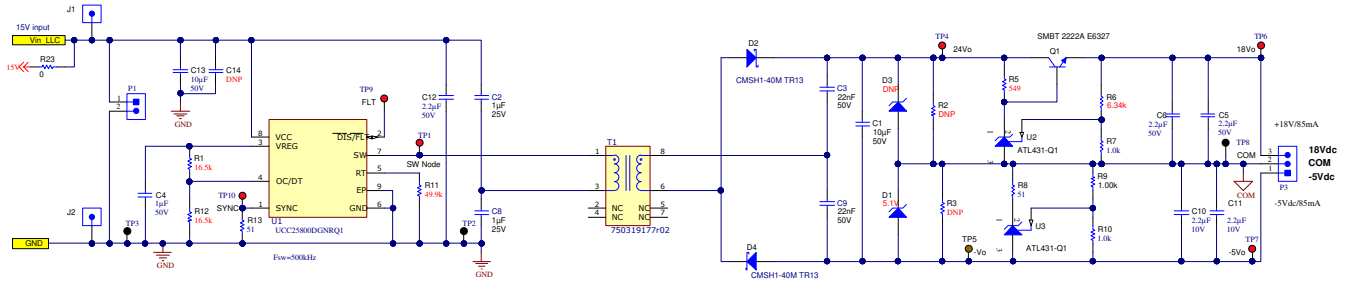
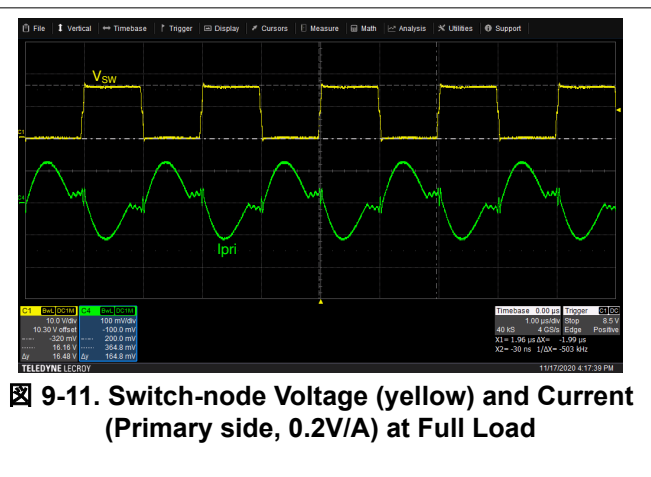
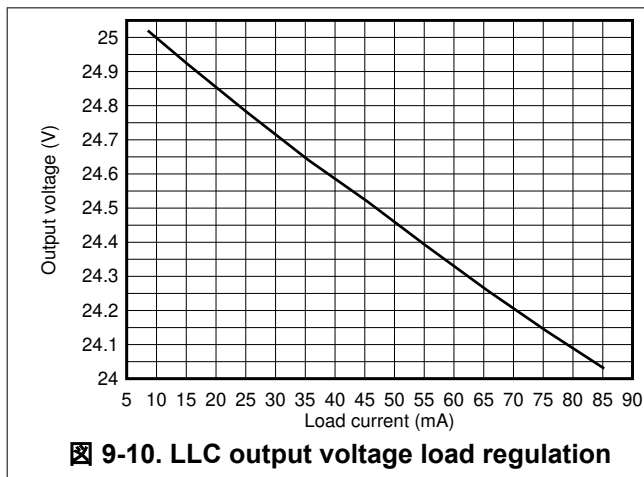


Figure 9-9. Circuit schematic for the designed isolated bias supply

9.2.4 Application Curves



9.3 What to Do and What Not to Do

Do

- Good decoupling between VCC and GND, minimize the loop of VCC-GND and the decoupling capacitor
- Use transformer with split chamber bobbin to minimize the EMI noise coupling from the inverter power stage
- The UCC25800-Q1 transformer driver can be used to drive single higher power transformer or multiple lower power transformer
- Setting the OCP1 level according to the designed load
- Use post regulator if the voltage regulation requirement can't be met
- Add Zener clamp at output if the output load can be completely removed
- If cost is acceptable, use NP0 or C0G type resonant capacitor, or use X7R with much higher voltage rating than needed
- Sufficient copper area for thermal management if the ambient temperature is high or the power level is high

Not to Do

- Long VCC-GND decoupling capacitor trace
- Set up the OCP1 to the highest level for all designs

10 Power Supply Recommendations

The UCC25800-Q1 transformer driver drives an LLC converter with constant switching frequency to make the LLC converter operate near its resonant frequency. When LLC converter operates at its resonant frequency, the impedance of the resonant tank is equal to zero. The input and output voltages are virtually connected together, through the transformer turns-ratio. Given the LLC converter is a half-bridge converter, the transformer primary side only sees half of the input voltage. If the secondary side uses voltage double rectifier, it also only sees half of the output voltage. The relationship between the input and output voltages is simply the transformer turns-ratio.

Given that, to achieve a fixed output voltage, the input voltage needs to be fixed. Even though the transformer driver is recommended to operate with an input voltage source between 9 V and 34 V, it is meant to be one fixed voltage within this voltage range. Because the relationship between input and output voltages is simply the transformer turns-ratio, the accuracy of the input would impact the accuracy of the output. There is no requirement from the transformer driver, while the input voltage accuracy is demanded by the output voltage requirements.

When the input voltage is very close to 9 V (because it is very close to the UVLO threshold $UVLO_F$) sufficient input bypass capacitor is recommended to ensure the load transient does not cause the VCC voltage drops below UVLO threshold $UVLO_F$.

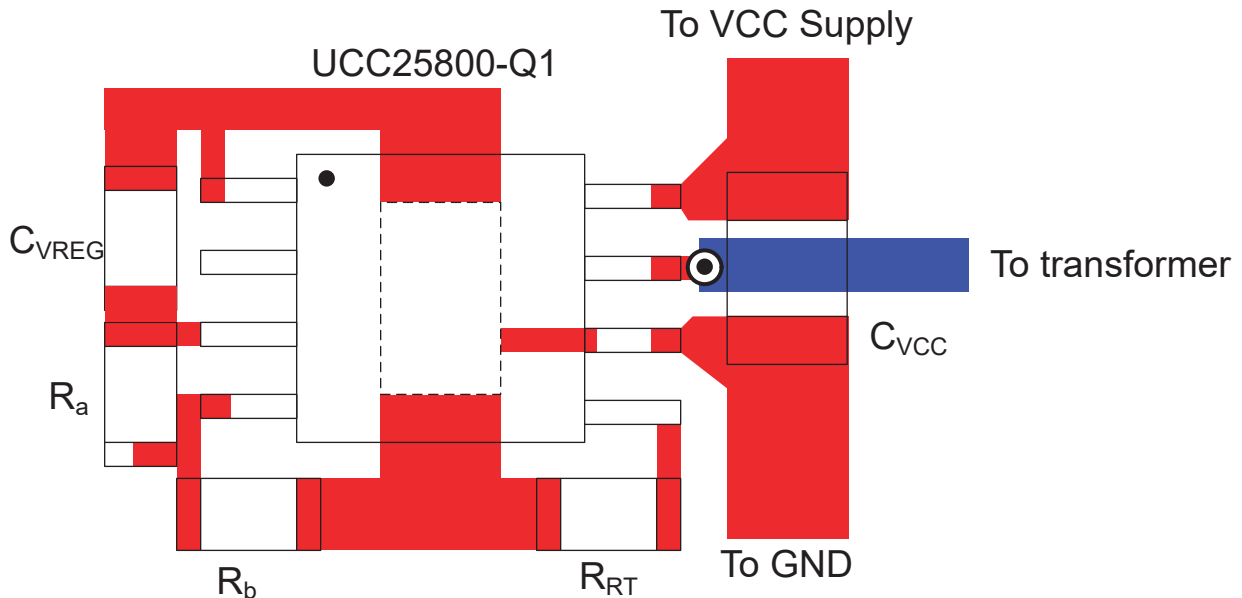
11 Layout

Given the minimum external components, transformer driver layout is straightforward. The main considerations are the power loop and the grounding.

11.1 Layout Guidelines

- The most important layout guideline is to minimize the VCC-GND-bypass capacitor loop. Because this loop carries all the switching current, it is important to have a low ESL bypass capacitor between VCC and GND, with the minimum loop. Refer to [Layout Example](#) for how to layout the bypass capacitor on VCC to GND.
- Return all control signals to GND pin through a separated plane. Avoid sharing path between the signal ground and the power ground. Use a short trace to connect GND pin to the thermal pad.
- Separate the power stage components and signal component to minimize the coupling between these components
- Short VREG-GND-decoupling capacitor loop is recommended. A low ESL decoupling capacitor between VREG and GND is needed to ensure stable operation of the internal linear regulator.
- Add decoupling capacitors on RT and DT/OC pin to improve the noise immunity if it is needed. Refer to [セクション 7.3](#) for recommended maximum capacitor values.
- Short SYNC pin to GND when external synchronization is not used.
- Minimize the current loop with high di/dt and minimize the copper area of the switch-node with high dv/dt.
- Other general power supply design layout guidelines.
- The secondary side of the LLC converter is often connected with the high dv/dt node in the end equipment. In these cases, it is recommended to minimize the secondary-side copper area.

11.2 Layout Example



☒ 11-1. Layout example

12 Device and Documentation Support

12.1 Documentation Support

12.1.1 Related Documentation

For related documentation see the following:

- Texas Instruments, [UCC25800EVM-1, 2-W LLC converter with 6-V to 26-V DC input and 18-V and 5-V outputs](#)
- Texas Instruments, [Reference design PMP22835, Isolated IGBT and SiC driver bias supply reference design for traction-inverter applications](#)
- Texas Instruments, [Reference design PMP23061, Pre-regulated isolated driver bias supply reference design for traction-inverter applications](#)
- Texas Instruments, [UCC25800-Q1 design Calculator](#)
- Texas Instruments, [UCC25800-Q1 SIMPLIS Transient Model](#)
- Texas Instruments, [Application note, Bias Supply Design for Isolated Gate Driver Using UCC25800-Q1](#)
- Texas Instruments, [Functional-safety information, UCC25800-Q1 Functional Safety, FIT Rate, Failure Mode Distribution and Pin FMA](#)
- Texas Instruments, [White paper, Power Through the Isolation Barrier: The Landscape of Isolated DC/DC Bias Power](#)

12.2 ドキュメントの更新通知を受け取る方法

ドキュメントの更新についての通知を受け取るには、[ti.com](#) のデバイス製品フォルダを開いてください。「更新の通知を受け取る」をクリックして登録すると、変更されたすべての製品情報に関するダイジェストを毎週受け取れます。変更の詳細については、修正されたドキュメントに含まれている改訂履歴をご覧ください。

12.3 サポート・リソース

[TI E2E™ サポート・フォーラム](#) は、エンジニアが検証済みの回答と設計に関するヒントをエキスパートから迅速かつ直接得ることができる場所です。既存の回答を検索したり、独自の質問をしたりすることで、設計に必要な支援を迅速に得ることができます。

リンクされているコンテンツは、該当する貢献者により、現状のまま提供されるものです。これらは TI の仕様を構成するものではなく、必ずしも TI の見解を反映したものではありません。TI の [使用条件](#) を参照してください。

12.4 Trademarks

TI E2E™ is a trademark of Texas Instruments.

すべての商標は、それぞれの所有者に帰属します。

12.5 静電気放電に関する注意事項



この IC は、ESD によって破損する可能性があります。テキサス・インスツルメンツは、IC を取り扱う際には常に適切な注意を払うことを推奨します。正しい取り扱いおよび設置手順に従わない場合、デバイスを破損するおそれがあります。

ESD による破損は、わずかな性能低下からデバイスの完全な故障まで多岐にわたります。精密な IC の場合、パラメータがわずかに変化するだけで公表されている仕様から外れる可能性があるため、破損が発生しやすくなっています。

12.6 用語集

[テキサス・インスツルメンツ用語集](#) この用語集には、用語や略語の一覧および定義が記載されています。

13 Mechanical, Packaging, and Orderable Information

The following pages include mechanical, packaging, and orderable information. This information is the most current data available for the designated devices. This data is subject to change without notice and revision of this document. For browser-based versions of this data sheet, refer to the left-side navigation.

PACKAGING INFORMATION

Orderable Device	Status (1)	Package Type	Package Drawing	Pins	Package Qty	Eco Plan (2)	Lead finish/ Ball material (6)	MSL Peak Temp (3)	Op Temp (°C)	Device Marking (4/5)	Samples
UCC25800AQDGNQ1	ACTIVE	HVSSOP	DGN	8	80	RoHS & Green	NIPDAUAG	Level-2-260C-1 YEAR	-40 to 125	580Q	Samples
UCC25800AQDGNRQ1	ACTIVE	HVSSOP	DGN	8	2500	RoHS & Green	NIPDAUAG	Level-2-260C-1 YEAR	-40 to 125	580Q	Samples
UCC25800BQDGNRQ1	ACTIVE	HVSSOP	DGN	8	2500	RoHS & Green	NIPDAUAG	Level-2-260C-1 YEAR	-40 to 125	80BQ	Samples

(1) The marketing status values are defined as follows:

ACTIVE: Product device recommended for new designs.

LIFEBUY: TI has announced that the device will be discontinued, and a lifetime-buy period is in effect.

NRND: Not recommended for new designs. Device is in production to support existing customers, but TI does not recommend using this part in a new design.

PREVIEW: Device has been announced but is not in production. Samples may or may not be available.

OBSOLETE: TI has discontinued the production of the device.

(2) **RoHS:** TI defines "RoHS" to mean semiconductor products that are compliant with the current EU RoHS requirements for all 10 RoHS substances, including the requirement that RoHS substance do not exceed 0.1% by weight in homogeneous materials. Where designed to be soldered at high temperatures, "RoHS" products are suitable for use in specified lead-free processes. TI may reference these types of products as "Pb-Free".

RoHS Exempt: TI defines "RoHS Exempt" to mean products that contain lead but are compliant with EU RoHS pursuant to a specific EU RoHS exemption.

Green: TI defines "Green" to mean the content of Chlorine (Cl) and Bromine (Br) based flame retardants meet JS709B low halogen requirements of <=1000ppm threshold. Antimony trioxide based flame retardants must also meet the <=1000ppm threshold requirement.

(3) MSL, Peak Temp. - The Moisture Sensitivity Level rating according to the JEDEC industry standard classifications, and peak solder temperature.

(4) There may be additional marking, which relates to the logo, the lot trace code information, or the environmental category on the device.

(5) Multiple Device Markings will be inside parentheses. Only one Device Marking contained in parentheses and separated by a "~" will appear on a device. If a line is indented then it is a continuation of the previous line and the two combined represent the entire Device Marking for that device.

(6) Lead finish/Ball material - Orderable Devices may have multiple material finish options. Finish options are separated by a vertical ruled line. Lead finish/Ball material values may wrap to two lines if the finish value exceeds the maximum column width.

Important Information and Disclaimer:The information provided on this page represents TI's knowledge and belief as of the date that it is provided. TI bases its knowledge and belief on information provided by third parties, and makes no representation or warranty as to the accuracy of such information. Efforts are underway to better integrate information from third parties. TI has taken and continues to take reasonable steps to provide representative and accurate information but may not have conducted destructive testing or chemical analysis on incoming materials and chemicals. TI and TI suppliers consider certain information to be proprietary, and thus CAS numbers and other limited information may not be available for release.

In no event shall TI's liability arising out of such information exceed the total purchase price of the TI part(s) at issue in this document sold by TI to Customer on an annual basis.

TAPE AND REEL INFORMATION

QUADRANT ASSIGNMENTS FOR PIN 1 ORIENTATION IN TAPE


*All dimensions are nominal

Device	Package Type	Package Drawing	Pins	SPQ	Reel Diameter (mm)	Reel Width W1 (mm)	A0 (mm)	B0 (mm)	K0 (mm)	P1 (mm)	W (mm)	Pin1 Quadrant
UCC25800AQDGNRQ1	HVSSOP	DGN	8	2500	330.0	12.4	5.3	3.4	1.4	8.0	12.0	Q1
UCC25800BQDGNRQ1	HVSSOP	DGN	8	2500	330.0	12.4	5.3	3.4	1.4	8.0	12.0	Q1

TAPE AND REEL BOX DIMENSIONS


*All dimensions are nominal

Device	Package Type	Package Drawing	Pins	SPQ	Length (mm)	Width (mm)	Height (mm)
UCC25800AQDGNRQ1	HVSSOP	DGN	8	2500	366.0	364.0	50.0
UCC25800BQDGNRQ1	HVSSOP	DGN	8	2500	366.0	364.0	50.0

TUBE


*All dimensions are nominal

Device	Package Name	Package Type	Pins	SPQ	L (mm)	W (mm)	T (μm)	B (mm)
UCC25800AQDGNQ1	DGN	HVSSOP	8	80	330	6.55	500	2.88

GENERIC PACKAGE VIEW

DGN 8

PowerPAD VSSOP - 1.1 mm max height

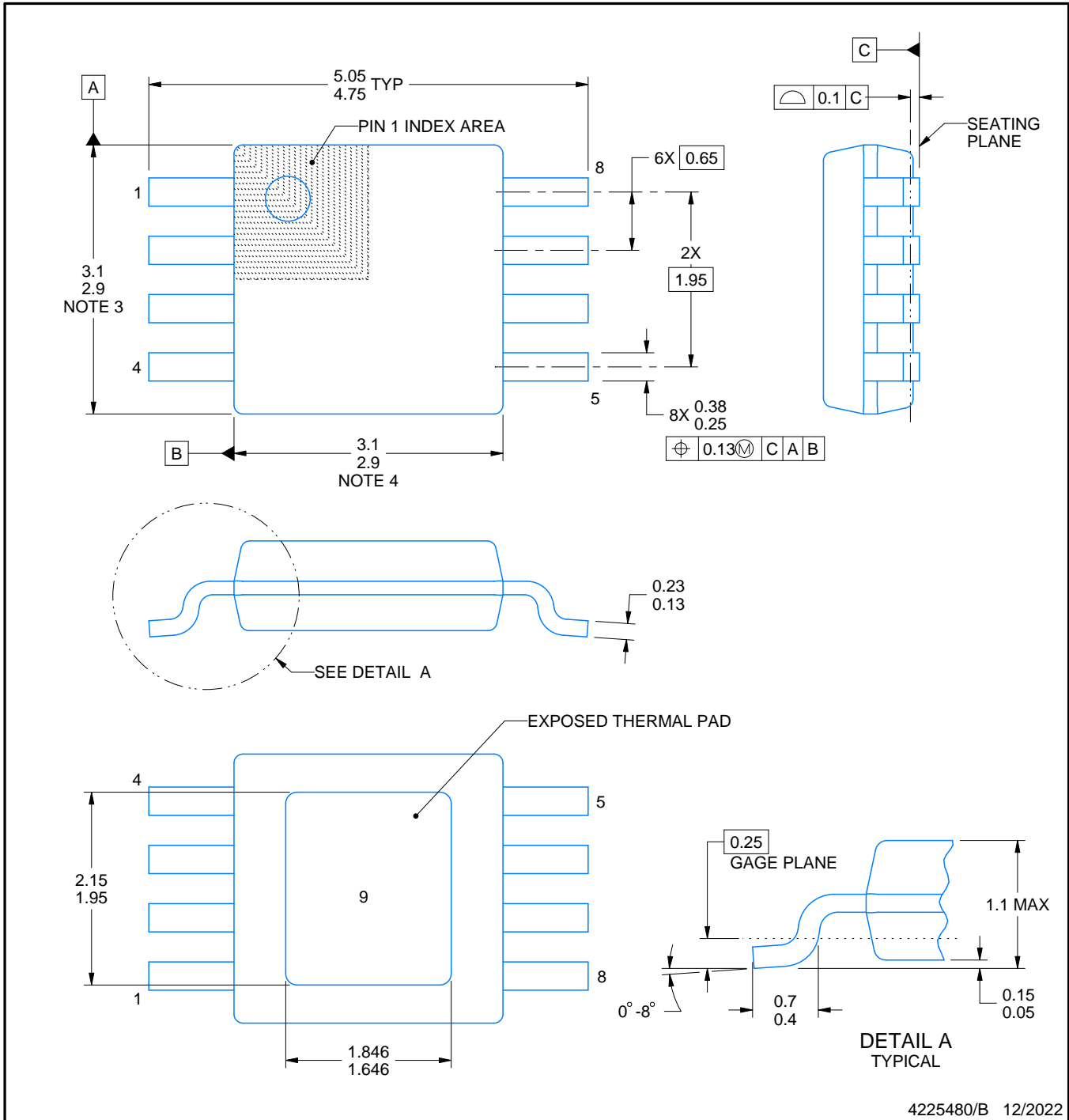
3 x 3, 0.65 mm pitch

SMALL OUTLINE PACKAGE

This image is a representation of the package family, actual package may vary.
Refer to the product data sheet for package details.



4225482/A



4225480/B 12/2022

PowerPAD is a trademark of Texas Instruments.

NOTES:

1. All linear dimensions are in millimeters. Any dimensions in parenthesis are for reference only. Dimensioning and tolerancing per ASME Y14.5M.
2. This drawing is subject to change without notice.
3. This dimension does not include mold flash, protrusions, or gate burrs. Mold flash, protrusions, or gate burrs shall not exceed 0.15 mm per side.
4. This dimension does not include interlead flash. Interlead flash shall not exceed 0.25 mm per side.
5. Reference JEDEC registration MO-187.

EXAMPLE BOARD LAYOUT

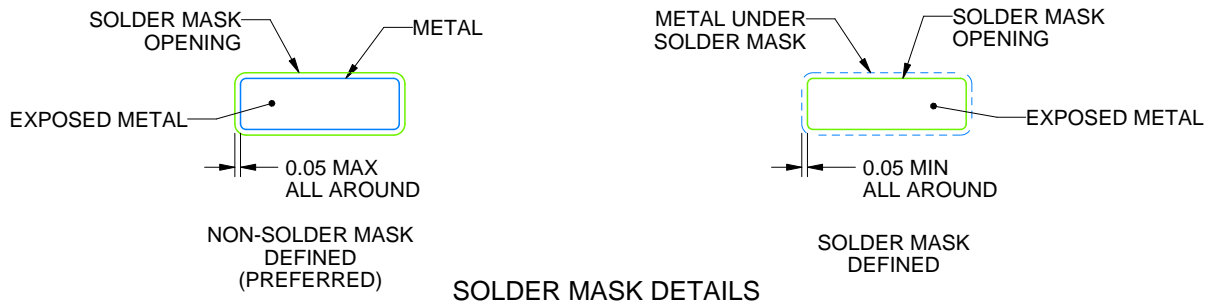
DGN0008G

PowerPAD™ VSSOP - 1.1 mm max height

SMALL OUTLINE PACKAGE



LAND PATTERN EXAMPLE
EXPOSED METAL SHOWN
SCALE: 15X



4225480/B 12/2022

NOTES: (continued)

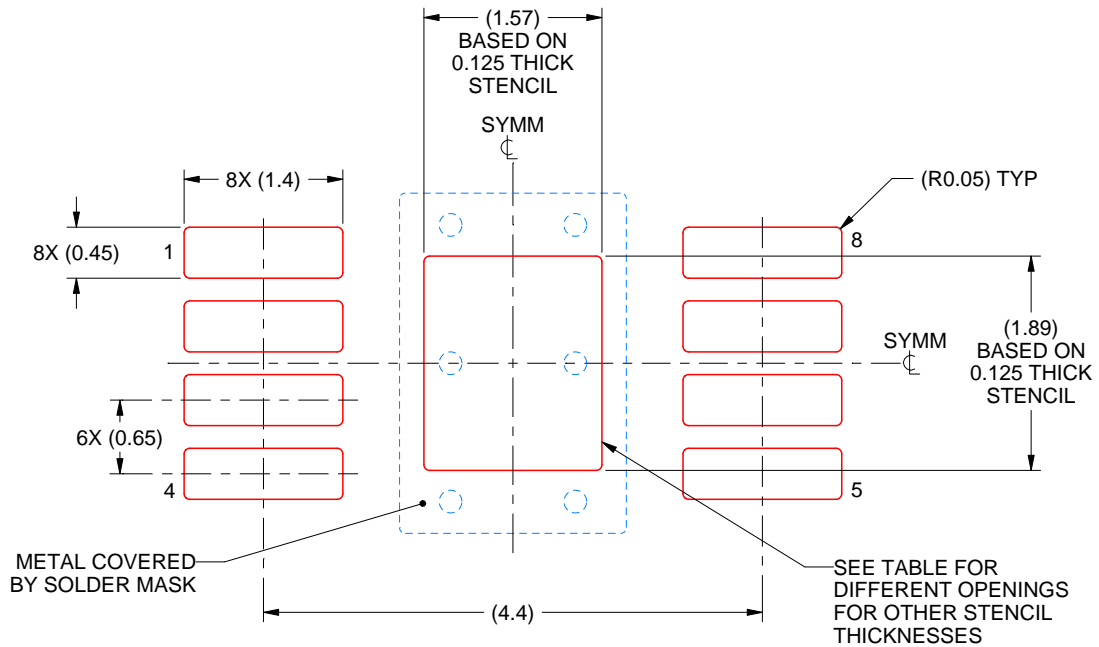
6. Publication IPC-7351 may have alternate designs.
7. Solder mask tolerances between and around signal pads can vary based on board fabrication site.
8. Vias are optional depending on application, refer to device data sheet. If any vias are implemented, refer to their locations shown on this view. It is recommended that vias under paste be filled, plugged or tented.
9. Size of metal pad may vary due to creepage requirement.

EXAMPLE STENCIL DESIGN

DGN0008G

PowerPAD™ VSSOP - 1.1 mm max height

SMALL OUTLINE PACKAGE



SOLDER PASTE EXAMPLE
EXPOSED PAD 9:
100% PRINTED SOLDER COVERAGE BY AREA
SCALE: 15X

STENCIL THICKNESS	SOLDER STENCIL OPENING
0.1	1.76 X 2.11
0.125	1.57 X 1.89 (SHOWN)
0.15	1.43 X 1.73
0.175	1.33 X 1.60

4225480/B 12/2022

NOTES: (continued)

10. Laser cutting apertures with trapezoidal walls and rounded corners may offer better paste release. IPC-7525 may have alternate design recommendations.
11. Board assembly site may have different recommendations for stencil design.

重要なお知らせと免責事項

TI は、技術データと信頼性データ (データシートを含みます)、設計リソース (リファレンス・デザインを含みます)、アプリケーションや設計に関する各種アドバイス、Web ツール、安全性情報、その他のリソースを、欠陥が存在する可能性のある「現状のまま」提供しており、商品性および特定目的に対する適合性の黙示保証、第三者の知的財産権の非侵害保証を含むいかなる保証も、明示的または黙示的にかかわらず拒否します。

これらのリソースは、TI 製品を使用する設計の経験を積んだ開発者への提供を意図したものです。(1) お客様のアプリケーションに適した TI 製品の選定、(2) お客様のアプリケーションの設計、検証、試験、(3) お客様のアプリケーションに該当する各種規格や、その他のあらゆる安全性、セキュリティ、規制、または他の要件への確実な適合に関する責任を、お客様のみが単独で負うものとし、

上記の各種リソースは、予告なく変更される可能性があります。これらのリソースは、リソースで説明されている TI 製品を使用するアプリケーションの開発の目的でのみ、TI はその使用をお客様に許諾します。これらのリソースに関して、他の目的で複製することや掲載することは禁止されています。TI や第三者の知的財産権のライセンスが付与されている訳ではありません。お客様は、これらのリソースを自身で使用した結果発生するあらゆる申し立て、損害、費用、損失、責任について、TI およびその代理人を完全に補償するものとし、TI は一切の責任を拒否します。

TI の製品は、[TI の販売条件](#)、または [ti.com](https://www.ti.com) やかかる TI 製品の関連資料などのいずれかを通じて提供する適用可能な条項の下で提供されています。TI がこれらのリソースを提供することは、適用される TI の保証または他の保証の放棄の拡大や変更を意味するものではありません。

お客様がいかなる追加条項または代替条項を提案した場合でも、TI はそれらに異議を唱え、拒否します。

郵送先住所 : Texas Instruments, Post Office Box 655303, Dallas, Texas 75265
Copyright © 2023, Texas Instruments Incorporated