

## Design Guide: TIDA-01457

小型の低ノイズ・システム用の  $V_{IN} = 3 \sim 11.5V$ 、 $V_{OUT} = -5V$ 、 $1.5A$  の反転電源モジュールのリファレンス・デザイン

## 概要

この小型で単純な、低ノイズの反転電源モジュール・デザイン (電圧インバータ) は、 $3 \sim 11.5V$  の入力により、 $-5V$  の出力電圧と最大  $1.5A$  の電流をクリーンにサポートします。テキサス・インスツルメンツの TPS82130 MicroSiP™ 電源モジュール降圧コンバータを反転昇降圧トポロジで使用することで、 $584mW/mm^3$  の電力密度と、 $50mm^2$  未満のソリューション・サイズを実現しており、光モジュールなど容積が制約される高温の通信機器において、感受性の高いアナログ負荷に電力を供給できます。また、このデザインは、 $5V$  入力および  $-5V$  出力電圧で  $1A$  までのインバータを必要とするものなど、多くの一般的な工業用機器をサポートします。

## リソース

TIDA-01457

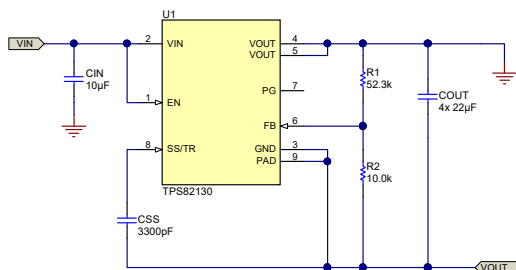
デザイン・フォルダ

TPS82130

プロダクト・フォルダ



テキサス・インスツルメンツの TI E2E™ サポート・エキスパートにお問い合わせください

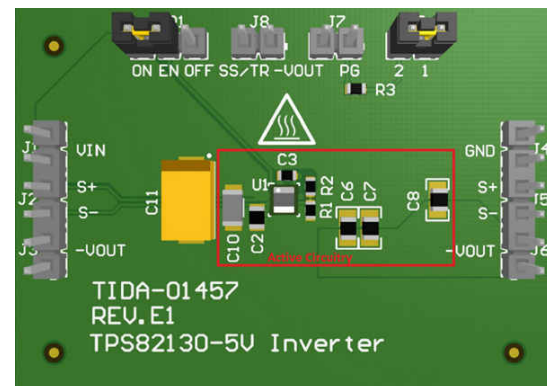


## 特長

- シンプルな電源モジュール設計
- ソリューションの合計サイズは  $50mm^2$  未満
- 大きな出力電流:  $1.5A$  ( $V_{IN} \geq 7.5V$ )
- 広い入力電圧範囲:  $3 \sim 11.5V$
- 低ノイズ (出力リップル  $10mV$  未満)
- $125^\circ C$  定格のソリューション

## アプリケーション

- 光ライン・カード
- 光モジュール
- 光学ネットワーク機器: EPON
- 通信インフラ: リモート無線ユニット (RRU)
- 一般的な産業用途



## 1 System Description

A negative voltage around  $-5\text{ V}$  is frequently required to bias the laser driver in an optical module and other communications equipment. This function requires several hundred milliamps of current and is powered from a 3.3-V source. This reference design delivers an output current up to 600 mA at the lowest 3-V input voltage, which is a good match to the required output power and input voltage.

A negative voltage is also required in numerous industrial applications to bias operational amplifiers (op amps), programmable gain amplifiers (PGAs), and data converters (ADCs or DACs). In both applications, an integrated power module shortens the design time and enables a very-small solution size, while the low-output noise has a minimal effect on the actual signal.

### 1.1 Key System Specifications

表 1-1. Key System Specifications

PARAMETER	SPECIFICATIONS	DETAILS
Input voltage range ( $V_{IN}$ )	3 to 11.5 V	—
Output voltage ( $V_{OUT}$ )	$-5\text{ V}$	—
Output current ( $V_{IN} \geq 7.5\text{ V}$ )	1.5 A	<a href="#">☒ 4-1</a>
Output current ( $V_{IN} = 5\text{ V}$ )	1 A	<a href="#">☒ 4-1</a>
Output current ( $V_{IN} = 3\text{ V}$ )	600 mA	<a href="#">☒ 4-1</a>

## 2 System Overview

### 2.1 Block Diagram

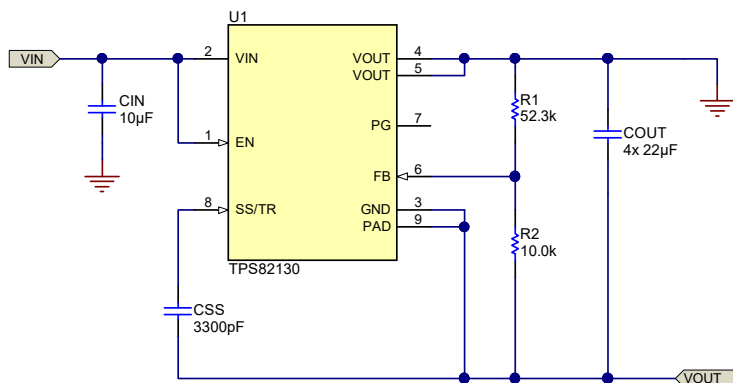


図 2-1. TIDA-01457 Block Diagram

## 2.2 Highlighted Products

### 2.2.1 TPS82130

The TPS82130 is a 3-A, step-down converter power module, which integrates the power inductor to achieve a very-small solution size and simple design. The power module accepts up to a 17-V input voltage from its input pin to ground pin. This wide input voltage range is ideally suited for an inverting converter, which, at a minimum, requires a voltage rating of the input voltage plus the output voltage.

## 2.3 Design Considerations

### 2.3.1 Inverting Buck-Boost Topology Concept

The inverting buck-boost topology is very similar to the buck topology. In the buck configuration that 図 2-2 shows, the positive connection ( $V_{OUT}$ ) is connected to the VOUT pin of the power module and the return connection is connected to the ground (GND) of the power module. However, in the inverting buck-boost configuration that 図 2-3 shows, the power module ground is used as the negative output voltage pin (labeled as  $-V_{OUT}$ ). The terminal formerly known as the positive output in the buck configuration is used as the ground. This inverting topology allows the output voltage to be inverted and always lower than the ground.

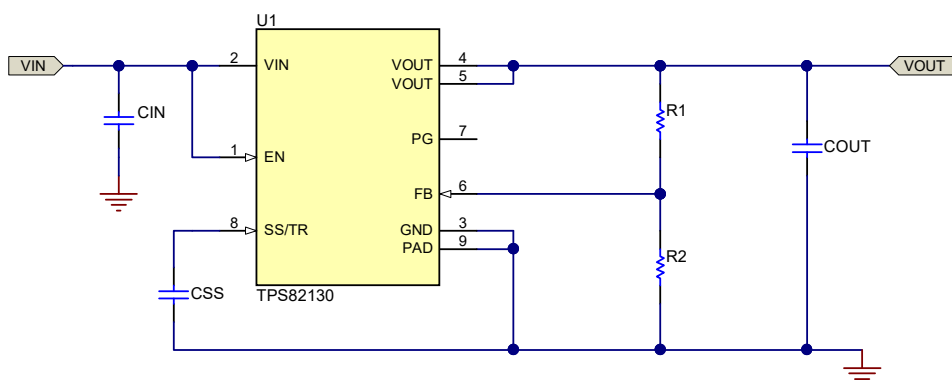


図 2-2. TPS82130 Buck Topology

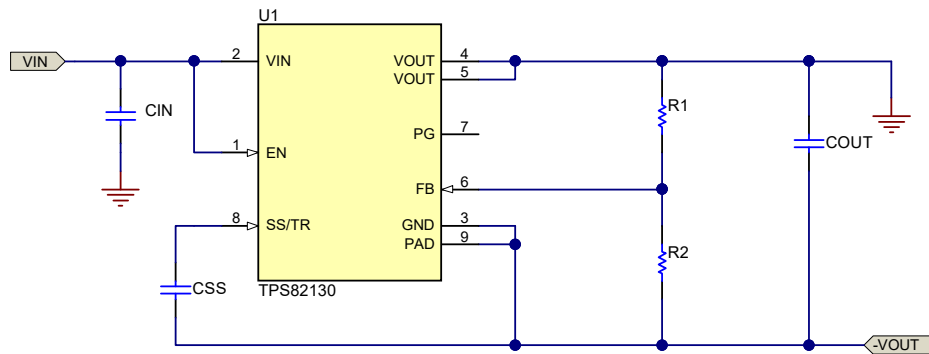


図 2-3. TPS82130 Inverting Buck-Boost Topology

The circuit operation is different in the inverting buck-boost topology than in the buck topology. 図 2-4 (a) shows that the output voltage terminals are reversed, though the components are wired the same as a buck converter. As 図 2-4 (b) shows, during the ON-time of the control MOSFET, the inductor is charged with current while the output capacitor supplies the load current. The inductor does not provide current to the load during this time. During the OFF-time of the control MOSFET and the ON-time of the synchronous MOSFET (see 図 2-4 (c)), the inductor provides current to the load and the output capacitor. These changes affect many parameters, which the following subsections describe in further detail.

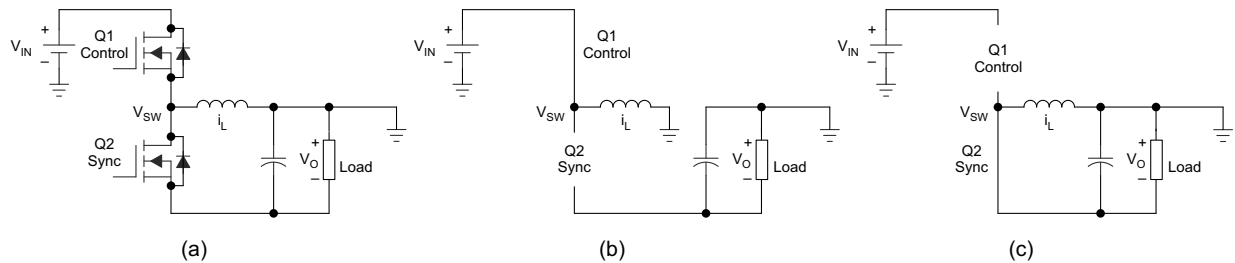


図 2-4. Inverting Buck-Boost Configuration

The average inductor current is affected in this topology. In the buck configuration, the average inductor current is equal to the average output current because the inductor always supplies current to the load during both the ON- and OFF-times of the control MOSFET. However, in the inverting buck-boost configuration, only the output capacitor supplies the load with current, while the load is completely disconnected from the inductor during the ON-time of the control MOSFET. During the OFF-time, the inductor connects to both the output capacitor and the load (see 図 2-4). Because the OFF-time is  $1 - D$  of the switching period, the average inductor current in 式 1 is calculated as:

$$I_{L(Avg)} = \frac{I_{OUT}}{(1 - D)} \quad (1)$$

The duty cycle for the typical buck converter is simply  $V_{OUT} / V_{IN}$ , but the calculation of the duty cycle in 式 2 for an inverting buck-boost converter becomes:

$$D = \frac{V_{OUT}}{(V_{OUT} - V_{IN})} \quad (2)$$

式 3 provides the peak-to-peak inductor ripple current:

$$\Delta I_L = \frac{V_{IN} D}{f_S L} \quad (3)$$

where:

- $\Delta I_L$  (A): Peak-to-peak inductor ripple current
- D: Duty cycle
- $f_S$  (MHz): Switching frequency
- L ( $\mu$ H): Inductor value of typically 1  $\mu$ H
- $V_{IN}$  (V): Input voltage with respect to ground, not with respect to the device ground or  $V_{OUT}$

式 4 calculates the maximum inductor current:

$$I_L = I_{L(avg)} + \frac{\Delta I_L}{2} \quad (4)$$

### 2.3.2 $V_{IN}$ and $V_{OUT}$ Range

The input voltage that can be applied to an integrated circuit (IC) operating in the inverting buck-boost topology is less than the input voltage for the same IC operating in the buck topology. The reason for this difference is because the ground pin of the IC is connected to the (negative) output voltage. Therefore, the input voltage across the device is  $V_{IN}$  to  $V_{OUT}$ , not  $V_{IN}$  to ground. Thus, the input voltage range of the TPS82130 is 3 to 17 V +  $V_{OUT}$ , where  $V_{OUT}$  is a negative value.

The output voltage range is the same as when configured as a buck converter, but negative. The output voltage for the inverting buck-boost topology must be set between  $-0.9$  and  $-6$  V. The output voltage is set in the same way as the buck configuration, with two resistors connected to the FB pin. Use the same equation in the TPS82130 data sheet to set the output voltage, keeping both  $V_{OUT}$  and  $V_{FB}$  as positive values. The TIDA-01457 design sets the output voltage at  $-5$  V, which gives an input voltage range of 3 to 12 V. However, it is not recommended to use a 12-V input voltage because voltage tolerances on the input supply can violate the recommended operating range of the TPS82130.

### 2.3.3 Maximum Output Current

In the inverting buck-boost topology, the maximum output current is reduced as compared to the buck topology. This reduction is a result of the peak inductor current being higher, as calculated in 式 4. With a power module, there are additional thermal limits arising from the small size of the power module itself. Finally, there are further limits on the maximum output current that occur from stability due to the right-half plane zero, which occurs in the inverting buck-boost topology. 図 4-1 shows the maximum output current based on temperature rise and stability for the TIDA-01457 design. The current limit for the TPS82130 device occurs above all curves in 図 4-1 and therefore does not limit the maximum output current more than thermal or stability limits. The current limit itself still operates to limit the peak inductor current.

#### 2.3.3.1 Thermal Limits

The primary maximum output current limitation in most designs is a thermal limitation. As the output current increases, the absolute power loss (in mW) in the TPS82130 also increases, which causes a higher temperature rise across the thermal impedance of the TPS82130 device.

The TPS82130 data sheet recommends operating below a device temperature of  $110^\circ\text{C}$  and forbids operating above  $125^\circ\text{C}$  for reliability. Therefore, 図 4-1 contains two thermal limit lines: one for a  $110^\circ\text{C}$  and one for a  $125^\circ\text{C}$  operating temperature. These lines are calculated by multiplying the power loss of the TPS82130 from 図 4-2 by the  $\theta_{JA}$  of the TPS82130EVM-720, which is provided in the device data sheet as  $46.1^\circ\text{C/W}$ , and adding this value to a  $25^\circ\text{C}$  ambient temperature.

Using this method, the maximum output current at any ambient temperature can be calculated. Simply subtract the maximum ambient temperature from either 110°C or 125°C to obtain the allowable temperature rise. Divide the  $\theta_{JA}$  of the printed circuit board (PCB) by this temperature rise to obtain the allowable power loss. Find this power loss in [Figure 4-2](#) to determine the maximum output current under specific conditions. 46.1°C/W is useful as an estimate of  $\theta_{JA}$ . See [Equation 5](#) for the calculation.

$$P_{\text{LOSS}} \leq \frac{125 - T_{A\_MAX}}{\theta_{JA}} \quad (5)$$

### 2.3.3.2 Stability Limits and Output Capacitor Selection

The "recommended" curve in [Figure 4-1](#) shows the recommended maximum output current based on stability. The TIDA-01457 design must be operated at load currents below this line. In most applications, which have ambient temperatures above 25°C, the thermal limit lines move down below the recommended line (as explained in [Section 2.3.3.1](#)), which further limits the maximum output current.

The inverting buck-boost topology contains a right-half plane zero, which significantly and negatively impacts the control loop response by adding an increase in gain along with a decrease in phase at a high frequency. This right-half plane zero can cause instability. [Equation 6](#) estimates the frequency of the right-half plane zero.

$$f_{(RHP)} = \frac{-(1-D)^2 \times V_{OUT}}{(D \times L \times I_{OUT} \times 2 \times \pi)} \quad (6)$$

The TIDA-01457 design uses four 22- $\mu$ F output capacitors, which have an effective capacitance of about 36  $\mu$ F at the -5-V output voltage. This amount of capacitance pushes the crossover frequency of the control loop down to frequencies low enough so that the right-half plane zero is sufficiently higher in frequency for stability. While one of these output capacitors requires placement near the TPS82130 device, the others can be placed at the point of load and serve as their input decoupling capacitor. When three of the output capacitors are placed at the point of load, the solution size is below 50 mm<sup>2</sup>. If these three capacitors are included, the solution size of all components shown within the *Active Circuitry* box on the [front page](#) becomes around 75 mm<sup>2</sup>.

More output capacitance improves stability by increasing the separation between the right-half plane zero and crossover. The right-half plane zero frequency occurs at lower frequencies with lower input voltages, which have a higher duty cycle. Load transient testing is the best test for stability, as described in the [Simplifying Stability Checks](#) application report. Because the VOS pin of the TPS82130 is connected on the device, it is impossible to break the entire control loop and measure a bode plot.

### 2.3.4 Design Precautions

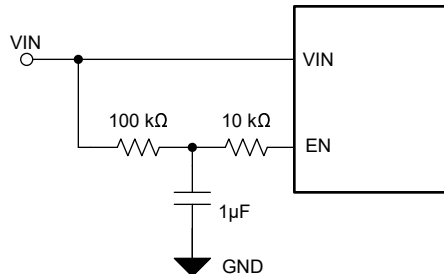
When using TPS82130 module for an inverting buck-boost application, there is a risk if VIN and EN pins are connected together directly.

The inverting buck-boost is commonly used to power the negative side of a differential rail. If the positive rail is applied to this differential rail first, the downstream devices activate and their Iq charges a positive prebias voltage on the negative rail. Input brownout and quick power cycles are other scenarios that can prebias the negative rail and cause startup issues. With VIN and EN tied together and having a positive prebias on the output of inverting buck-boost, the device might enable before it has time to initialize internal circuitry which can cause unexpected startup behavior or cause the device to get stuck. Ensuring that the EN pin is asserted after VIN is powered on can eliminate this issue robustly.

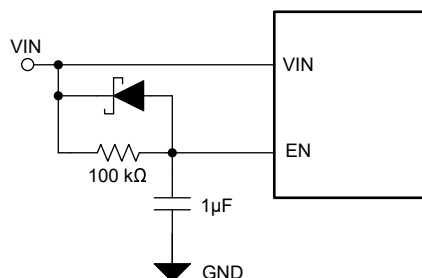
There are three proposed workarounds to avoid this issue:

1. The first suggestion is to adjust the system power up sequence to prevent the unintended voltage buildup on the negative rail. This means enabling the negative rail first so that it is able to start up correctly, then enabling the positive rail. Adjusting the power on sequence this way can ensure that the TPS82130 as inverting buck-boost converter has a correct startup.
2. If the application relies on the device enabling with VIN, then an RC filter is required to add a delay between VIN and EN pin. This ensures that the device has enough time to initialize the internal circuitry before the device is enabled to start regulating the output. The 100 k $\Omega$  and 1  $\mu$ F RC filter provides the necessary delay between the VIN and EN pins for the device's initialization. An example of this schematic modification is

shown in two different options. One using a series resistors to limit the current into the EN pin [図 2-5](#) and another using a schottky diode to clamp the EN pin [図 2-6](#). When using the schottky diode option, the forward voltage drop needs to be selected less than 0.3 V so that the device does not exceed the absolute maximum rating on EN pin.



**図 2-5. EN Pin Delay Using an RC Filter and Series Resistor**



**図 2-6. EN Pin Delay Using an RC Filter and Schottky Diode**

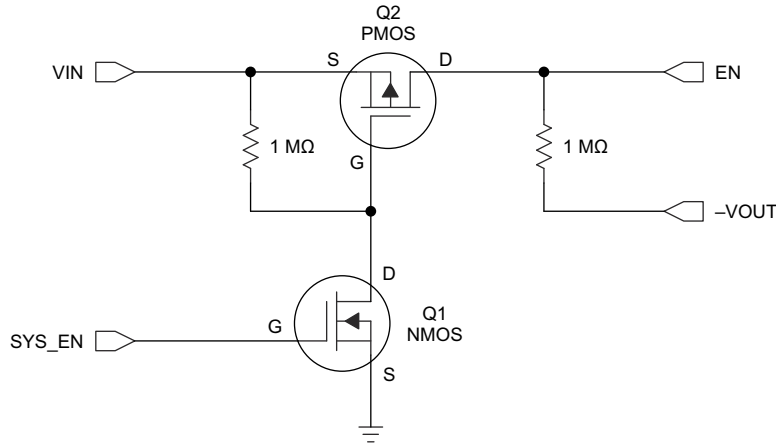
3. Lastly, if the application requires enabling and disabling of the device from an external control signal, like a microcontroller or PG pin from an upstream device, then the order of power sequence is important. During power up, VIN must be applied before the EN signal and during power down, the EN pin needs to go low before VIN is removed. This ensures that EN pin does not exceed the maximum rating of VIN + 0.3 V, which can damage the device. See [セクション 2.3.5](#) for more information on level shifting the digital inputs.

### 2.3.5 Enable Pin Configuration

The device is enabled when the voltage at the EN pin trips its threshold and the input voltage is above the undervoltage lockout (UVLO) threshold. The TPS82130 device stops operation when the voltage on the EN pin falls below its threshold or the input voltage falls below the UVLO threshold.

Because  $V_{OUT}$  is the IC ground in this configuration, the EN pin must be referenced to  $V_{OUT}$  instead of ground. In the buck configuration, 0.9 V is considered as high and less than 0.3 V is considered as low. In the inverting buck-boost configuration, however, the  $V_{OUT}$  voltage is the reference; therefore, the high threshold is 0.9 V +  $V_{OUT}$  and the low threshold is 0.3 V +  $V_{OUT}$ . For example, if  $V_{OUT} = -5$  V, then  $V_{EN}$  is considered at a high level for voltages above -4.1 V and a low level for voltages below -4.7 V.

This behavior can cause difficulties enabling or disabling the part because, in some applications, the IC providing the EN signal may not be able to produce negative voltages. The level-shifter circuit that [Figure 2-7](#) shows removes any difficulties associated with the offset EN threshold voltages by eliminating the requirement for negative EN signals. If disabling the TPS82130 is not desired, the EN pin may be directly connected to  $V_{IN}$  without this circuit.



VOUT is the negative output voltage of the inverting buck-boost converter

**Figure 2-7. EN Pin Level Shifter**

The positive signal that originally drove EN is instead tied to the gate of Q1 (SYS\_EN). When Q1 is OFF (SYS\_EN grounded), Q2 has 0 V across its  $V_{GS}$  and also remains OFF. In this state, the EN pin is initially at the level of the output voltage ( $-5$  V), which is below the low-level threshold, and disables the device.

When SYS\_EN provides enough positive voltage to turn Q1 ON ( $V_{GS}$  threshold as specified in the MOSFET data sheet), the gate of Q2 is at ground potential through Q1. This action drives the  $V_{GS}$  of Q2 negative and turns Q2 ON. Then  $V_{IN}$  ties to EN through Q2 and the pin is above the high-level threshold, which turns the device ON. Be careful to ensure that the  $V_{GD}$  and  $V_{GS}$  of Q2 remain within the MOSFET ratings during both the enabled and disabled states. Failing to adhere to this constraint can result in damaged MOSFETs.

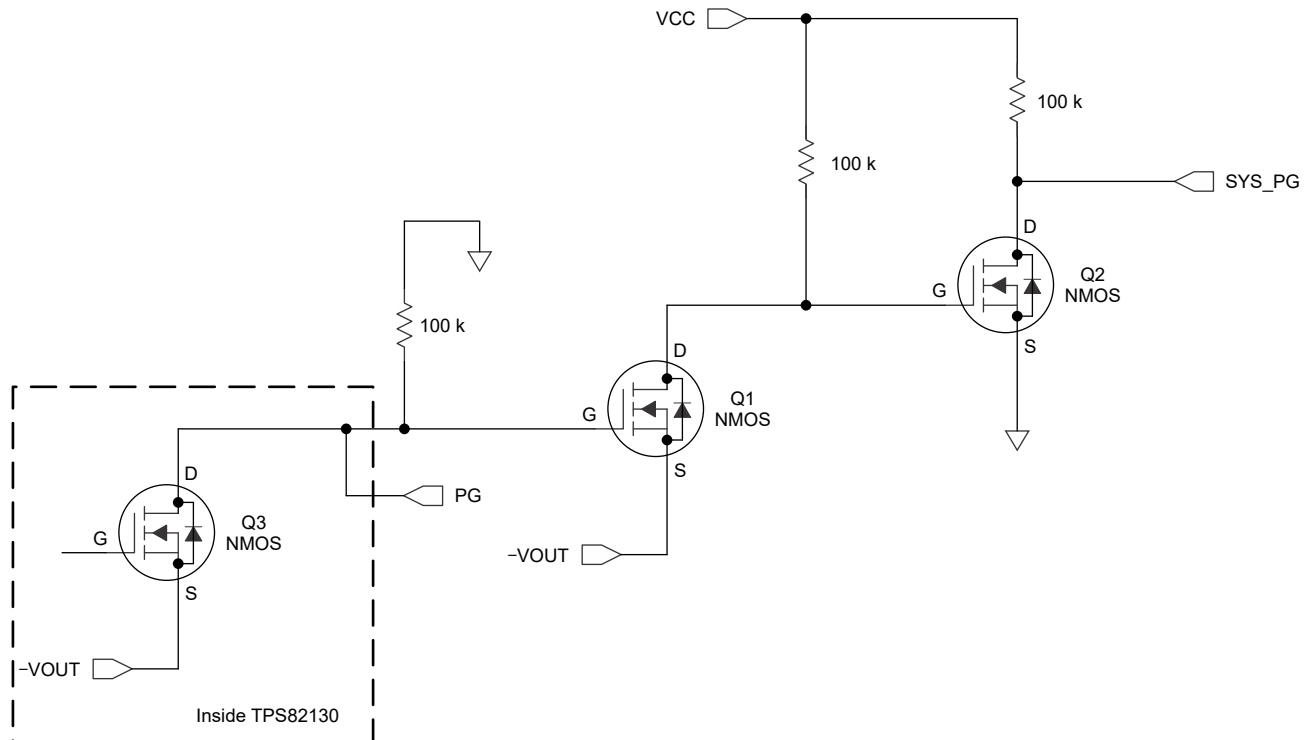
[Figure 4-17](#) and [Figure 4-18](#) show the enable and disable sequence. The SYS\_EN signal activates the enable circuit and the G/D node signal represents the shared node between Q1 and Q2. This circuit has been tested with a 5-V SYS\_EN signal and dual N/PFET Si1029X. The EN signal is the output of the circuit and goes from  $V_{IN}$  to  $V_{OUT}$  to properly enable and disable the device. The PG pin is used as an output discharge to accelerate the return of  $V_{OUT}$  to 0 V, when the IC is disabled.



### 2.3.6 Power Good Pin Configuration

The TPS82130 has a built-in power good (PG) function to indicate whether the output voltage has reached its appropriate level or not. The PG pin is an open-drain output that requires a pullup resistor. Because  $V_{OUT}$  is the IC ground in this configuration, the PG pin is referenced to  $V_{OUT}$  instead of ground, which means that the TPS82130 device pulls PG to  $V_{OUT}$  when it is low.

This behavior can cause difficulties in reading the state of the PG pin, because in some applications the IC detecting the voltage level of the PG pin may not be able to withstand negative voltages. The level-shifter circuit shown in [Figure 2-8](#) removes any difficulties associated with the offset PG pin voltages by eliminating the negative output signals of the PG pin. If the PG pin functionality is not required, it may be left floating or connected to  $V_{OUT}$  without this circuit. Note that to avoid violating its absolute maximum rating, the PG pin should not be driven more than 6 V above the negative output voltage (IC ground).



**Figure 2-8. PG Pin Level Shifter**

Inside the TPS82130, the PG pin is connected to an N-channel MOSFET (Q3). By tying the PG pin to the gate of Q1, when the PG pin is pulled low, Q1 is off and Q2 is on because Q2's  $V_{GS}$  is at  $V_{CC}$ . SYS\_PG is then pulled to ground.

When Q3 turns OFF, the gate of Q1 is pulled to ground potential which turns Q1 ON. This sequence of events pulls the gate of Q2 below ground, which turns it OFF. SYS\_PG is then pulled up to the  $V_{CC}$  voltage. Note that the  $V_{CC}$  voltage must be at an appropriate logic level for the circuitry connected to the SYS\_PG net.

[Figure 4-19](#) and [Figure 4-20](#) show this PG pin level-shifter sequence. The PG signal activates the PG pin level-shifter circuit and the G/D node signal represents the shared node between Q1 and Q2. This circuit has been tested with a  $V_{CC}$  of 5 V and dual NFET Si1902DL. The SYS\_PG net is the output of the circuit and goes between ground and 5 V and is easily read by a separate device.

### 2.3.7 Discharging Output Voltage

If the TPS82130 device is disabled in a light-load or no-load condition, the PG pin can accelerate return of  $V_{OUT}$  to 0 V by providing an additional discharge path. When the IC has been disabled through the EN pin, the PG pin is connected to the device ground ( $-V_{OUT}$ ) through an internal MOSFET. Placing a resistor between ground and the PG pin creates a discharge path to ground.

The added resistor must be sized to limit the current into the PG pin to a safe level, which the TPS82130 datasheet specifies as 10 mA at maximum. A 499- $\Omega$  PG resistor has been chosen for this  $-5$ -V output voltage.

### 2.3.8 Adjustable Soft-Start Time

The TPS82130 features an adjustable soft-start time. The soft-start time is the rise time of the output voltage and is adjustable with the capacitor, CSS, on the SS/TR pin. If needed, the output voltage rise time is adjustable to match the rise time of a corresponding 5-V rail in the system. The soft-start time is set in the same way as described in the TPS82130 data sheet.

### 2.3.9 Input Capacitor Selection

An input capacitor, CIN, is required to provide a local bypass for the input voltage source. A low equivalent series resistance (ESR) X5R or X7R ceramic capacitor is best for input voltage filtering and minimizing interference with other circuits. For most applications, a 10- $\mu$ F ceramic capacitor is recommended from  $V_{IN}$  to ground (system ground, not  $-V_{OUT}$ ). The CIN capacitor value can be increased without any limit for better input voltage filtering.

For the inverting buck-boost configuration of the TPS82130, TI does not recommend installing a capacitor from  $V_{IN}$  to  $-V_{OUT}$ . Such a capacitor, if installed, provides an AC path from  $V_{IN}$  to  $-V_{OUT}$ . When  $V_{IN}$  is applied to the circuit, this  $dV/dt$  across a capacitor from  $V_{IN}$  to  $-V_{OUT}$  creates a current that must return to ground (the return of the input supply) to complete its loop. This current may flow through the body diode of the internal low-side MOSFET and the inductor to return to ground. Flowing through the body diode pulls the  $V_{OUT}$  pin below IC ground, which violates its absolute maximum rating. Such a condition may damage the TPS82130 and is not recommended; therefore, a capacitor from  $V_{IN}$  to  $-V_{OUT}$  is not required or recommended. If such a capacitor (CBP) is present, then a Schottky diode must be installed on the output, as the schematic in [Figure 2-9](#) shows.

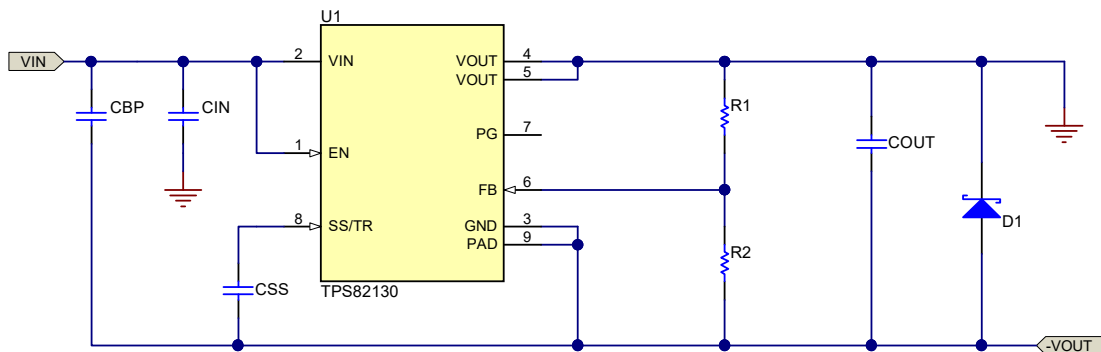


図 2-9. Installation of Schottky Diode D1 Required, if Installing CBP

### 3 Getting Started Hardware

To test this reference design, simply apply an input voltage between the J1 and J4 connectors. Then, connect a jumper between ON and EN on JP1.

### 4 Testing and Results

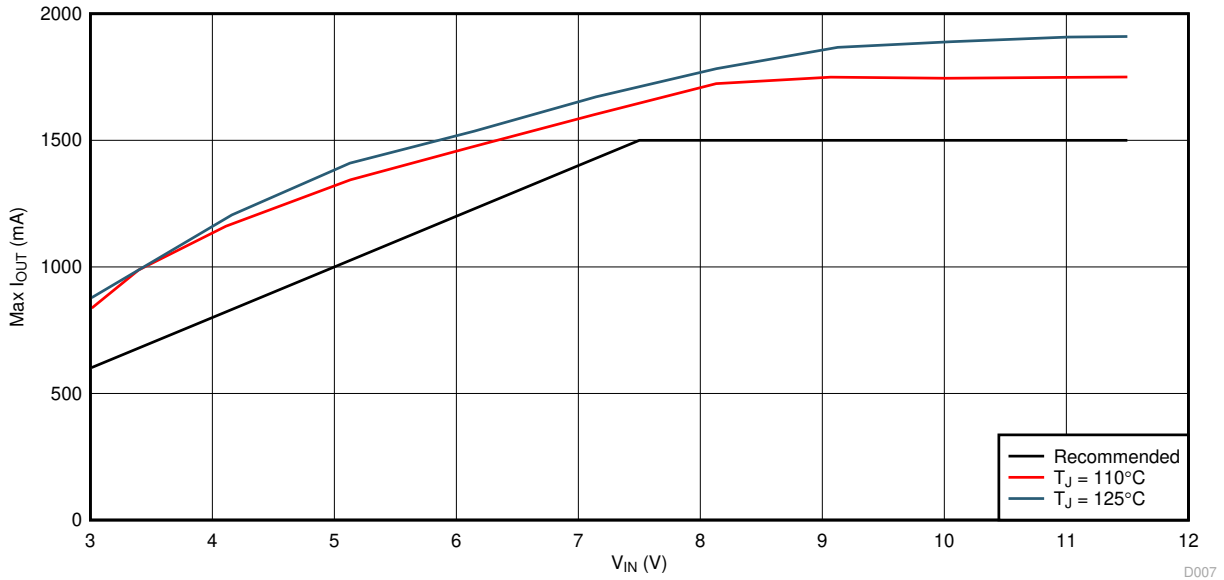


図 4-1. Maximum Output Current

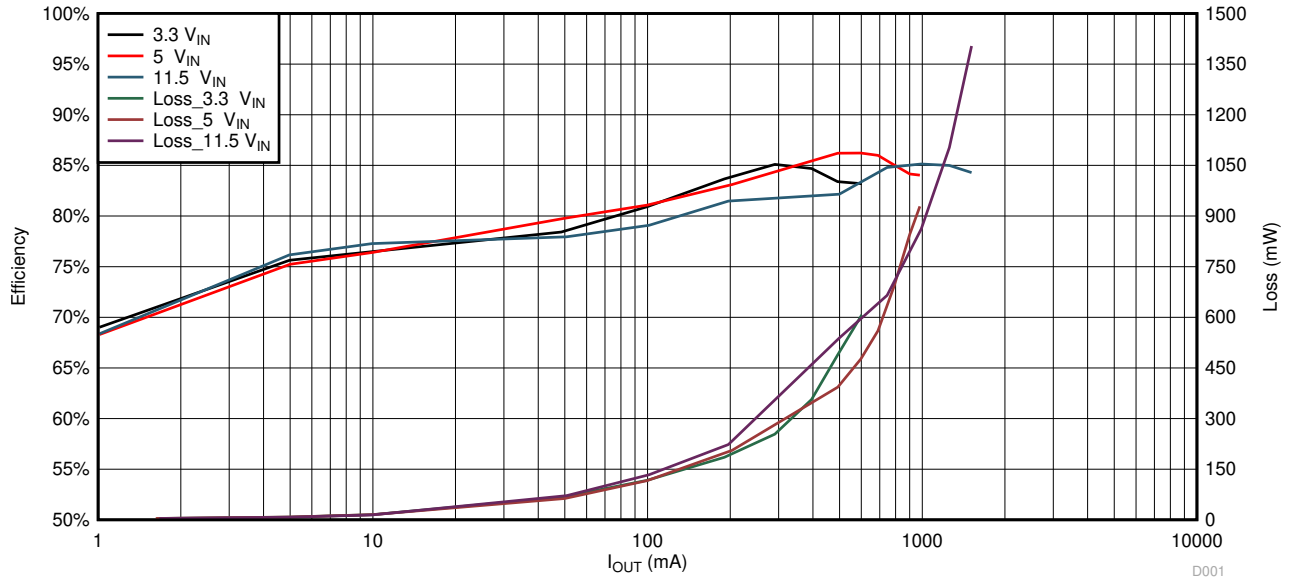


図 4-2. Efficiency Over Load

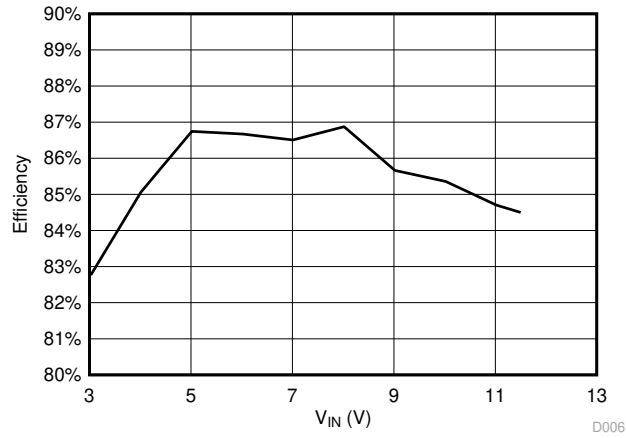


図 4-3. Efficiency Over V<sub>IN</sub> (600-mA Load)

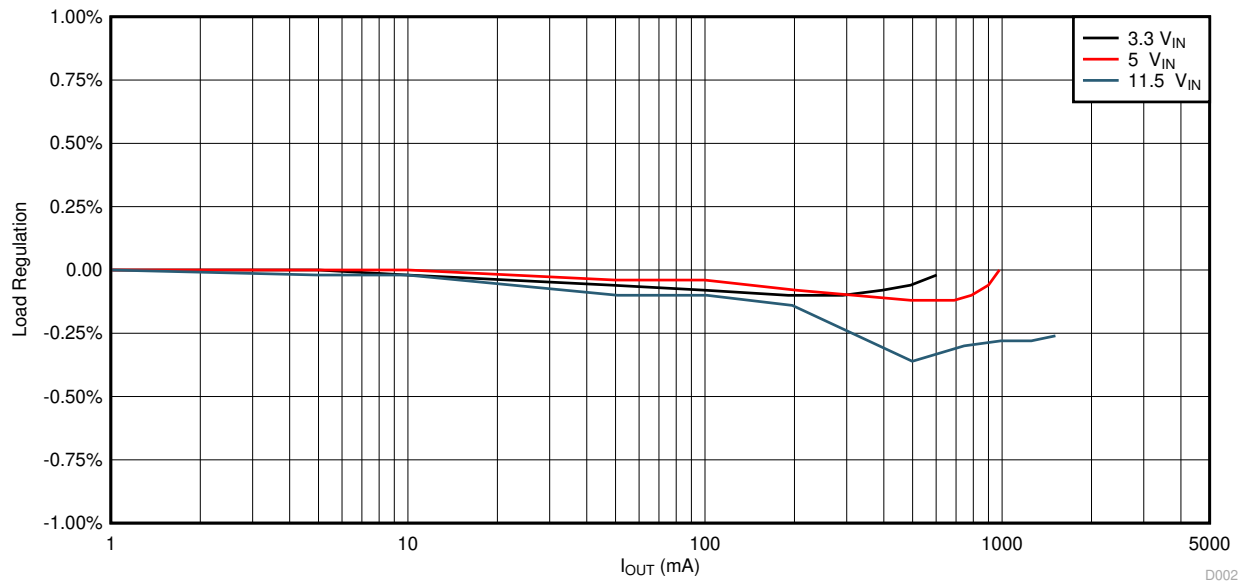


図 4-4. Load Regulation

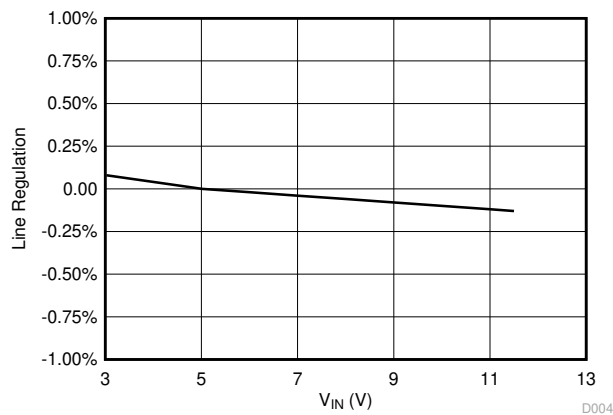


図 4-5. Line Regulation (600-mA Load)

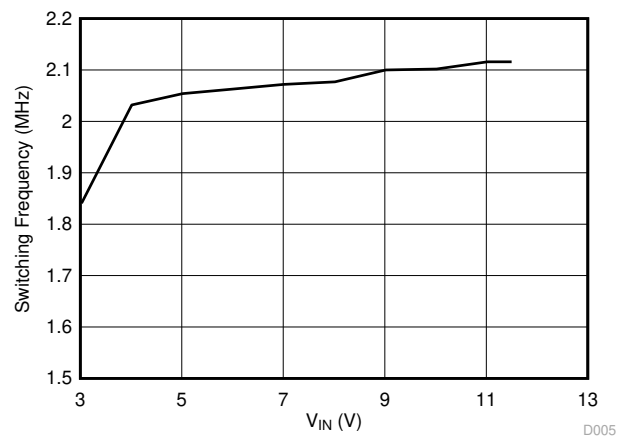


図 4-6. Switching Frequency Over V<sub>IN</sub> (600-mA Load)

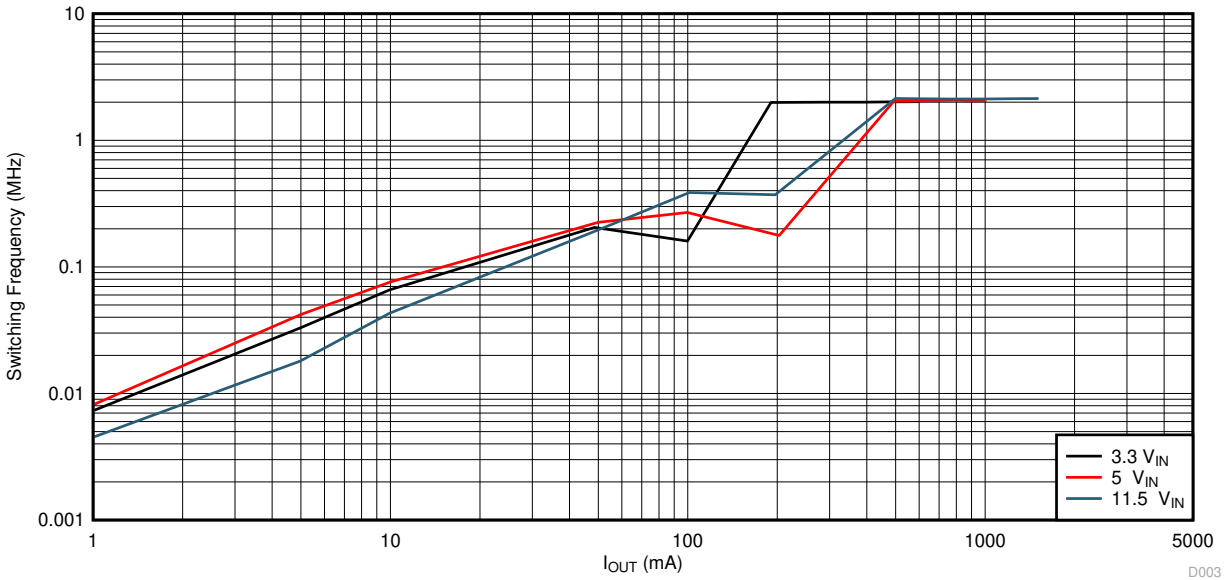


図 4-7. Switching Frequency Over Load

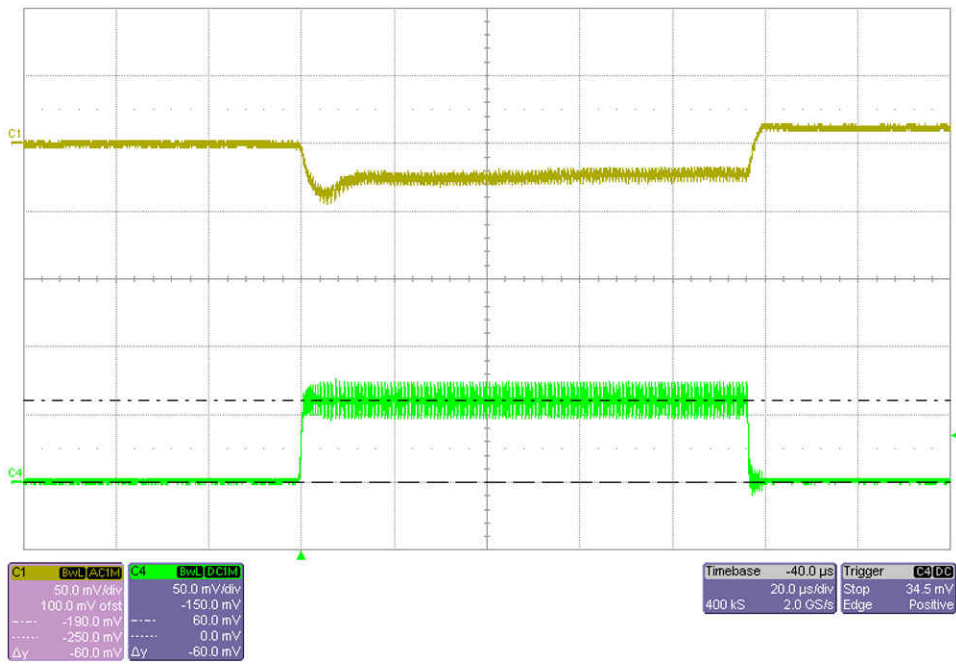


図 4-8. Transient Response ( $3.3 V_{IN}$ , 0- to 600-mA Load Step)

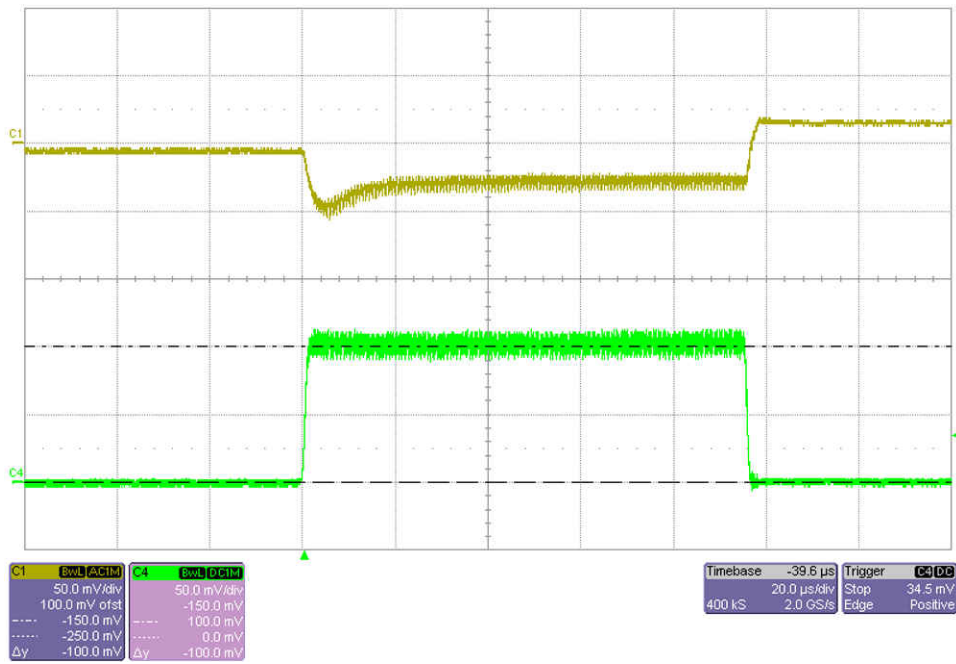


図 4-9. Transient Response (5 V<sub>IN</sub>, 0- to 1-A Load Step)

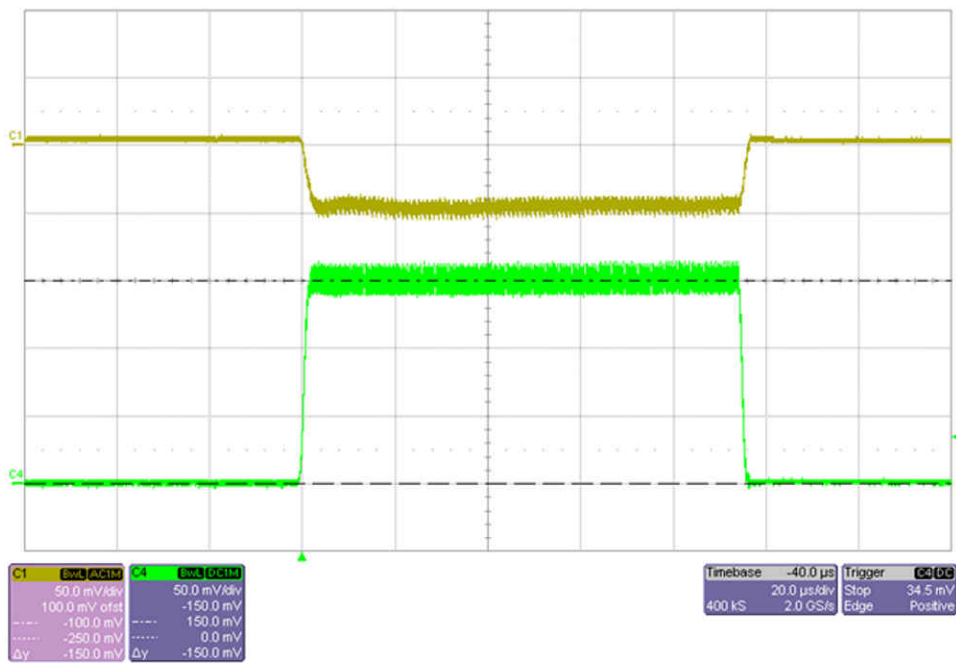


図 4-10. Transient Response (7.5 V<sub>IN</sub>, 0- to 1.5-A Load Step)

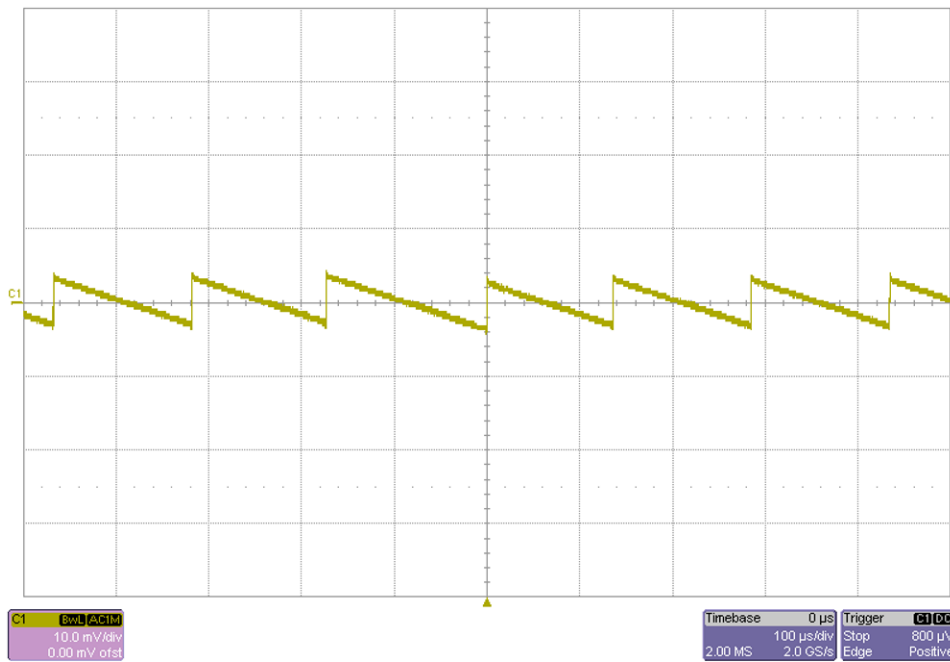


図 4-11. Output Voltage Ripple (3.3 V<sub>IN</sub>, 1-mA Load)

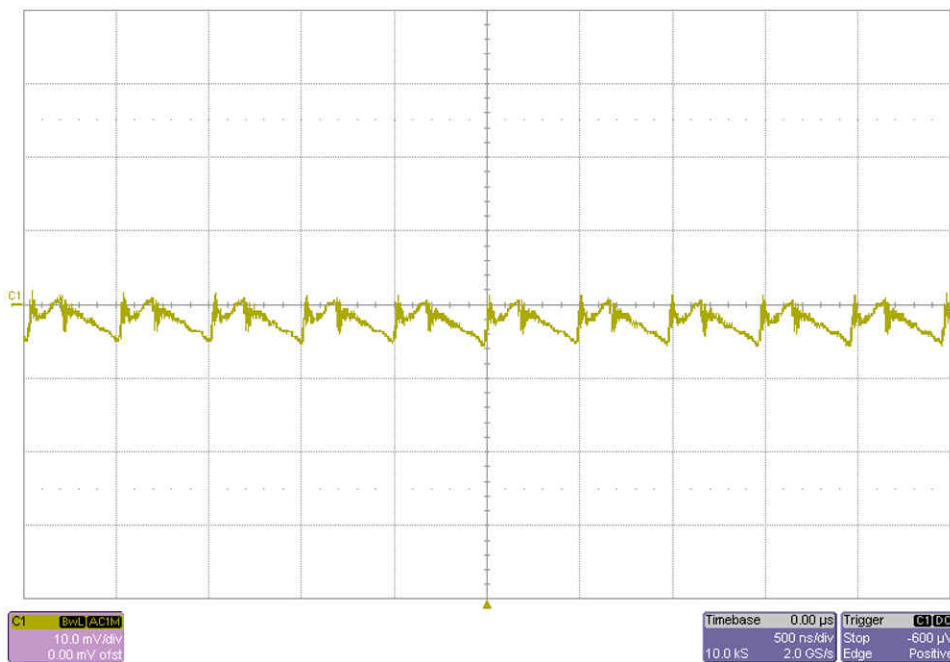


図 4-12. Output Voltage Ripple (3.3 V<sub>IN</sub>, 600-mA Load)

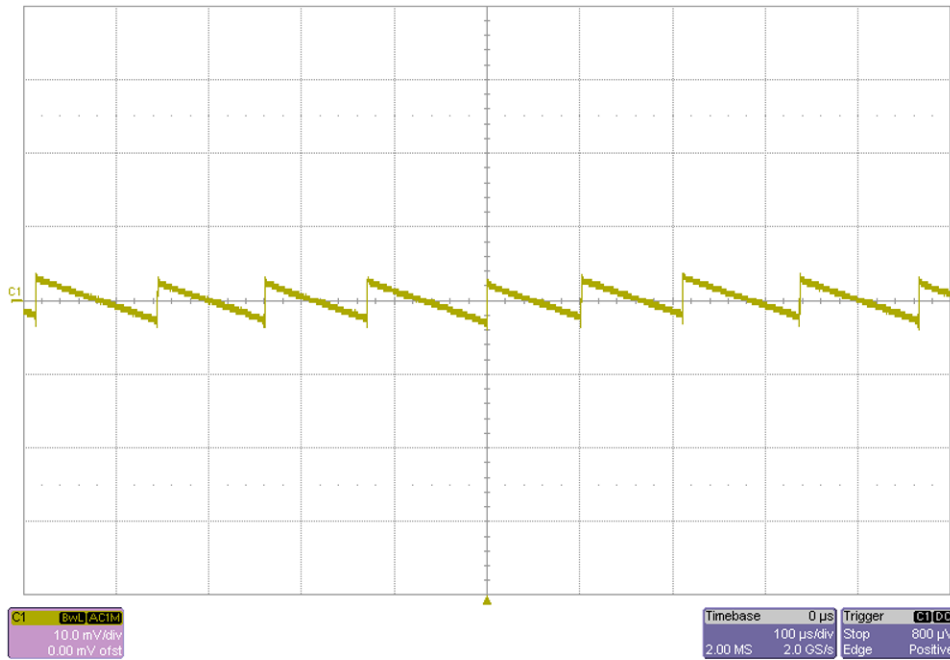


図 4-13. Output Voltage Ripple (5 V<sub>IN</sub>, 1-mA Load)

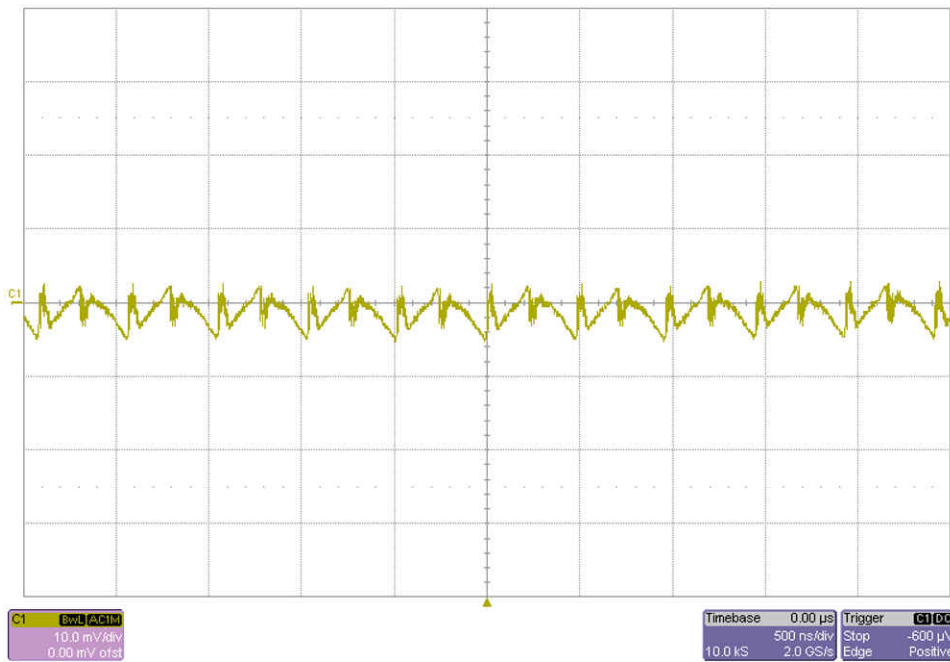


図 4-14. Output Voltage Ripple (5 V<sub>IN</sub>, 1-A Load)



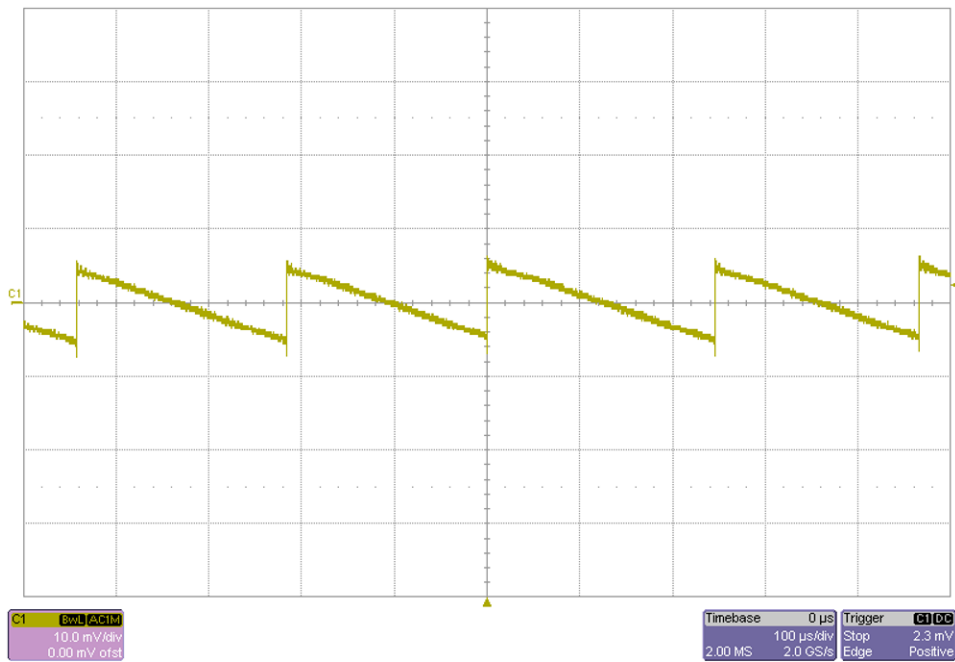


図 4-15. Output Voltage Ripple (11.5 V<sub>IN</sub>, 1-mA Load)

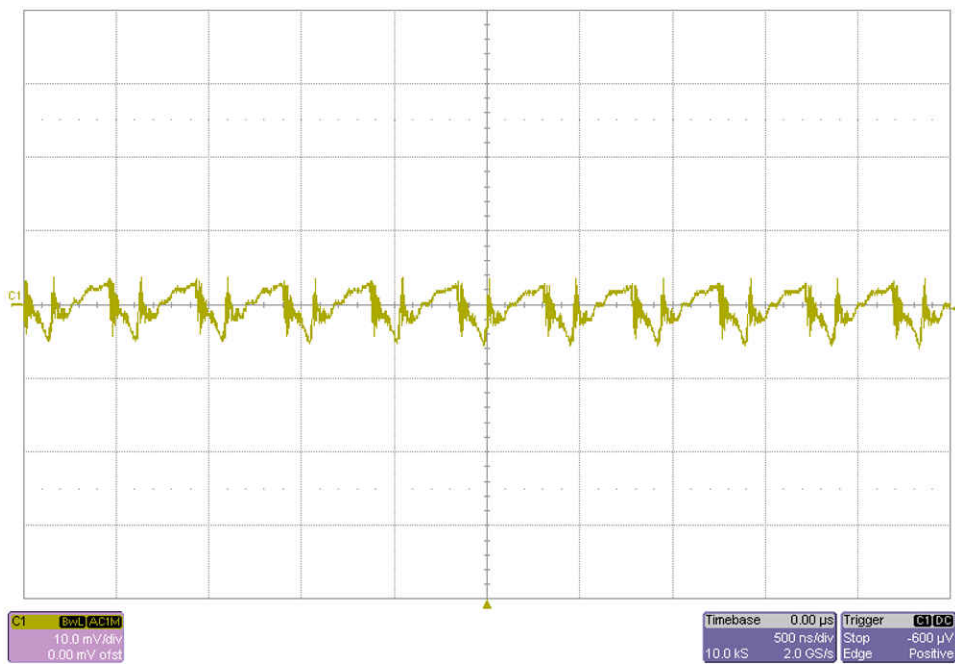


図 4-16. Output Voltage Ripple (11.5 V<sub>IN</sub>, 1.5-A Load)

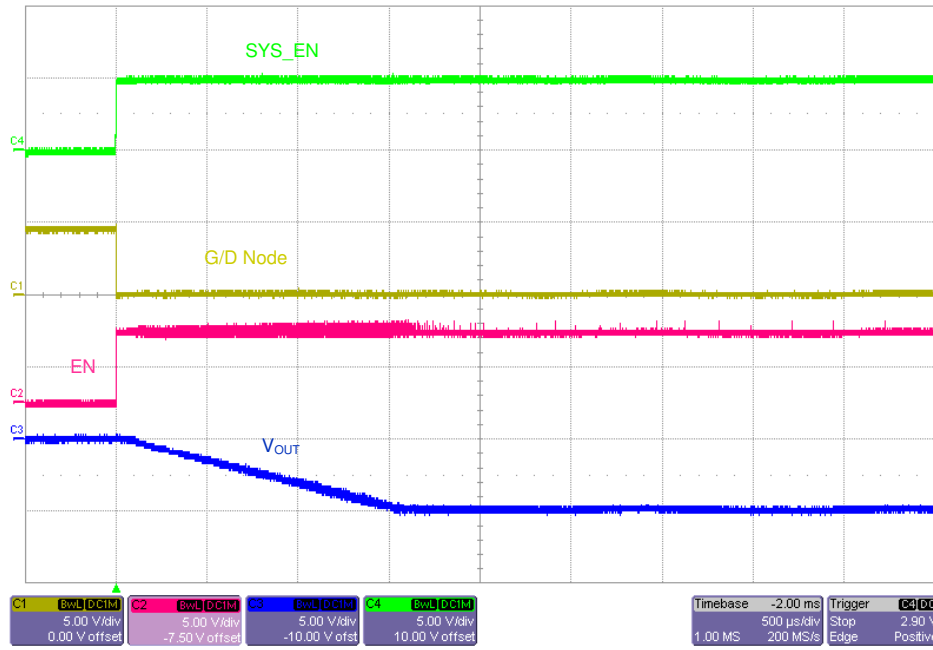


図 4-17. Start-up on EN (5 V<sub>IN</sub>, No Load)

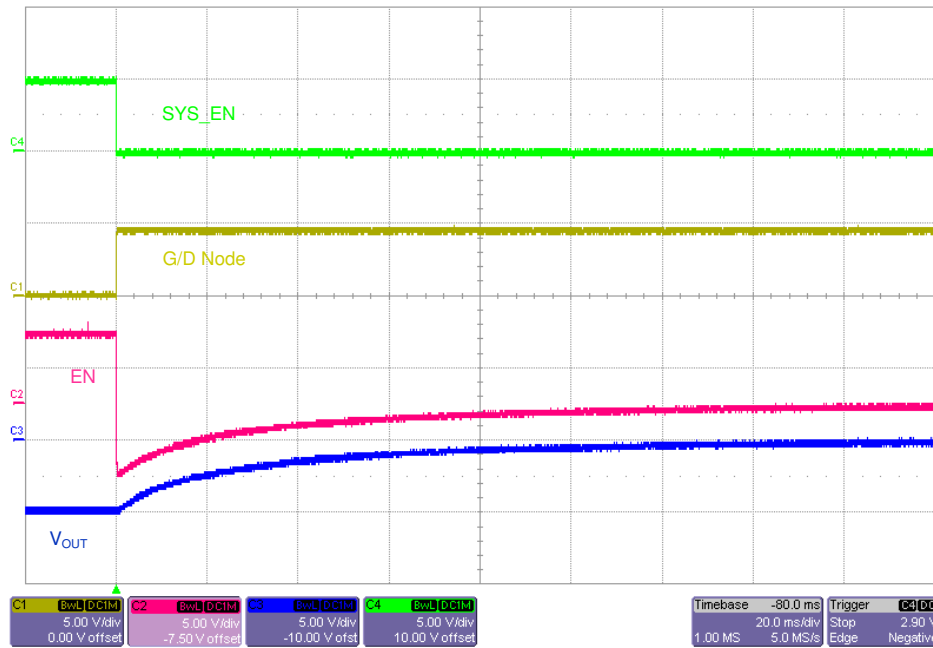


図 4-18. Shutdown on EN (5 V<sub>IN</sub>, No Load)

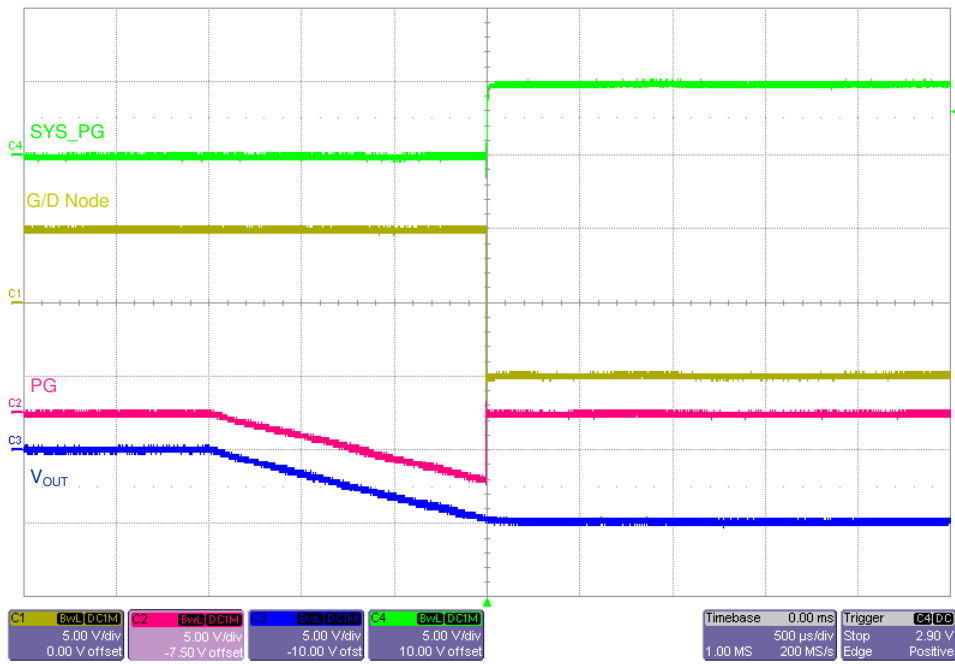


図 4-19. PG on Start-up (5 V<sub>IN</sub>, No Load)

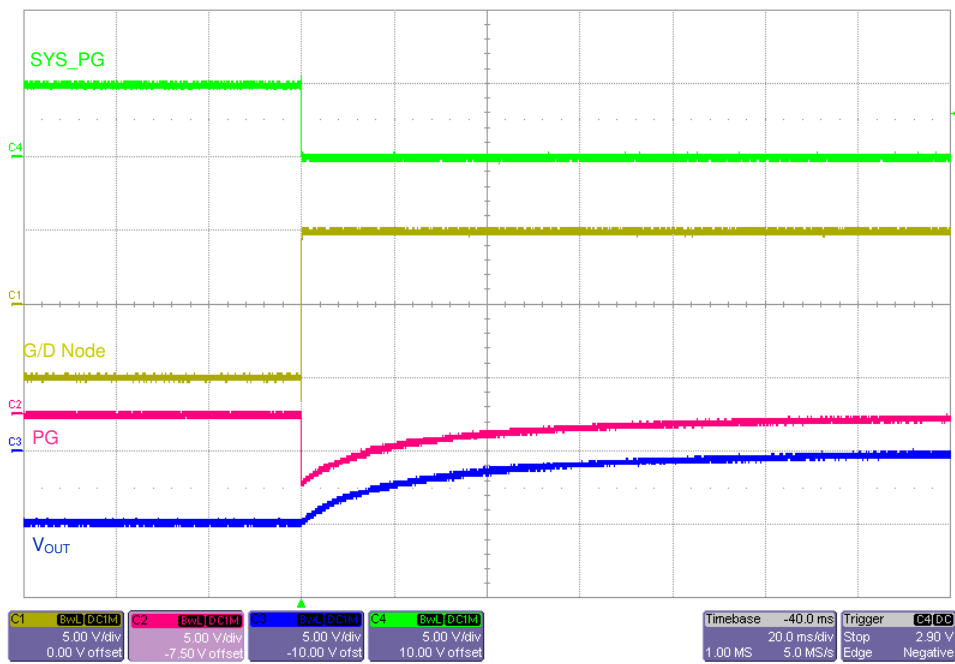


図 4-20. PG on Shutdown (5 V<sub>IN</sub>, No Load)

## 5 Design Files

### 5.1 Schematics

To download the schematics, see the design files at [TIDA-01457](#).

### 5.2 Bill of Materials

To download the bill of materials (BOM), see the design files at [TIDA-01457](#).

### 5.3 PCB Layout Recommendations

#### 5.3.1 Layout Prints

To download the layer plots, see the design files at [TIDA-01457](#).

### 5.4 Gerber Files

To download the Gerber files, see the design files at [TIDA-01457](#).

### 5.5 Assembly Drawings

To download the assembly drawings, see the design files at [TIDA-01457](#).

## 6 Related Documentation

1. Texas Instruments, [Simplifying Stability Checks](#), application note.
2. Texas Instruments, [Using the TPS62125 in an Inverting Buck-Boost Topology](#), application note.
3. Texas Instruments, [TPS82130 17-V Input 3-A Step-Down Converter MicroSiP™ Module with Integrated Inductor](#), data sheet.

## 7 Trademarks

MicroSiP™ and TI E2E™ are trademarks of Texas Instruments.

すべての商標は、それぞれの所有者に帰属します。

## 8 Revision History

Changes from Revision * (June 2017) to Revision A (January 2023)	Page
• 文書全体にわたって表、図、相互参照の採番方法を更新.....	1
• Added <i>Design Precautions</i> section.....	6

## 重要なお知らせと免責事項

TI は、技術データと信頼性データ (データシートを含みます)、設計リソース (リファレンス・デザインを含みます)、アプリケーションや設計に関する各種アドバイス、Web ツール、安全性情報、その他のリソースを、欠陥が存在する可能性のある「現状のまま」提供しており、商品性および特定目的に対する適合性の黙示保証、第三者の知的財産権の非侵害保証を含むいかなる保証も、明示的または黙示的にかかわらず拒否します。

これらのリソースは、TI 製品を使用する設計の経験を積んだ開発者への提供を意図したものです。(1) お客様のアプリケーションに適した TI 製品の選定、(2) お客様のアプリケーションの設計、検証、試験、(3) お客様のアプリケーションに該当する各種規格や、その他のあらゆる安全性、セキュリティ、規制、または他の要件への確実な適合に関する責任を、お客様のみが単独で負うものとし、

上記の各種リソースは、予告なく変更される可能性があります。これらのリソースは、リソースで説明されている TI 製品を使用するアプリケーションの開発の目的でのみ、TI はその使用をお客様に許諾します。これらのリソースに関して、他の目的で複製することや掲載することは禁止されています。TI や第三者の知的財産権のライセンスが付与されている訳ではありません。お客様は、これらのリソースを自身で使用した結果発生するあらゆる申し立て、損害、費用、損失、責任について、TI およびその代理人を完全に補償するものとし、TI は一切の責任を拒否します。

TI の製品は、[TI の販売条件](#)、または [ti.com](https://www.ti.com) やかかる TI 製品の関連資料などのいずれかを通じて提供する適用可能な条項の下で提供されています。TI がこれらのリソースを提供することは、適用される TI の保証または他の保証の放棄の拡大や変更を意味するものではありません。

お客様がいかなる追加条項または代替条項を提案した場合でも、TI はそれらに異議を唱え、拒否します。

郵送先住所 : Texas Instruments, Post Office Box 655303, Dallas, Texas 75265  
Copyright © 2023, Texas Instruments Incorporated