

TI Designs: TIDA-01448

5V、1Aでコスト効率の優れた、シングル・レイヤで効率93%のTO-247 LDO代替品のリファレンス・デザイン



概要

このリファレンス・デザインでは、主要な家電製品でLDOの代替品となる、小型、高効率で低EMIのDC/DCモジュールのソリューションを紹介します。LDOをDC/DCモジュールに交換することで、システム効率が劇的に向上し、ソリューションのサイズが小さくなり、BOMコストが低減すると同時に、ヒート・シンクも不要になります。このモジュールはTO-247パッケージと同じ容積で、TO-220 LDOとピン互換なため、迅速な評価が可能で、市場投入までの期間を短縮できます。TPS561201電力コンバータは、全負荷、低負荷、およびスタンバイ動作において、より大きな出力電流と、低い消費電力を実現します。

このモジュールはTO-247パッケージと同じサイズで、TO-220 LDOとピン互換なため、迅速な評価が可能で、市場投入までの期間を短縮できます。

リソース

TIDA-01448

デザイン・フォルダ

TPS561201

プロダクト・フォルダ



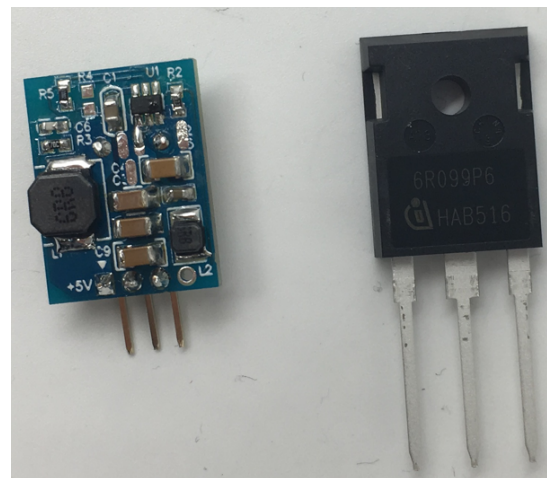
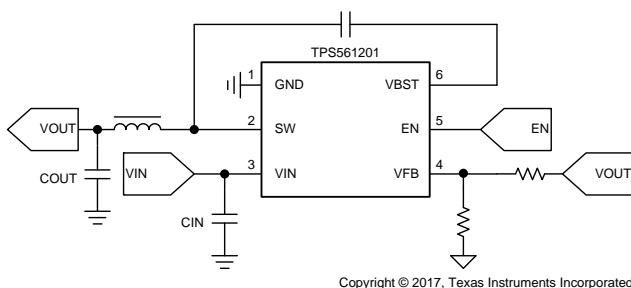
E2Eエキスパートに質問

特長

- 5Vにレギュレートされた、最大1Aの出力負荷
- 93%の効率
- スタンバイ電流1.3μA、無負荷時電流472μA
- 小型のフォーム・ファクタ: TO-220とピン互換で、TO-247とサイズ互換(15mm×20mm)
- 全負荷時に35°C未満の温度上昇、ヒート・シンク不要
- オンボードDC/DC設計の複雑性を低減、スイッチング電源のEMC設計の研究開発の期間と労力を削減(市場投入までの期間短縮)

アプリケーション

- 洗濯機、乾燥機
- 冷蔵庫、冷凍庫
- 食器洗い機
- エアコンの室内機

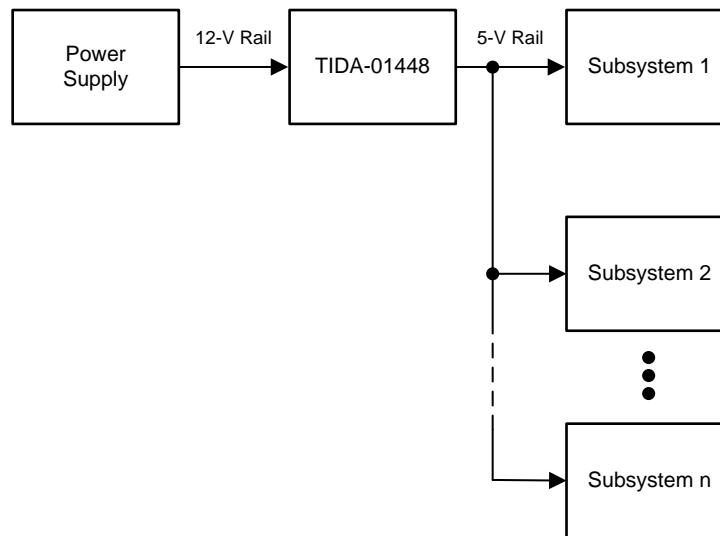




使用許可、知的財産、その他免責事項は、最終ページにあるIMPORTANT NOTICE(重要な注意事項)をご参照くださいますようお願いいたします。英語版のTI製品についての情報を翻訳したこの資料は、製品の概要を確認する目的で便宜的に提供しているものです。該当する正式な英語版の最新情報は、www.ti.comで閲覧でき、その内容が常に優先されます。TIでは翻訳の正確性および妥当性につきましては一切保証いたしません。実際の設計などの前には、必ず最新版の英語版をご参照くださいますようお願いいたします。

1 System Description

Traditionally, low dropout regulators (LDO) are used in home appliances to generate 5 V or 3.3 V from the 12-V rail. These LDOs are chosen mainly for their cost and size.



Copyright © 2017, Texas Instruments Incorporated

図 1. System Diagram

With the tightening requirements on active and standby power consumption and the increasing current needs due to the addition of new features (for example, the Wi-Fi® module), the LDOs become an obstacle to achieving stringent energy ratings.

The TIDA-01448 is developed to answer this need of higher efficiency and current capability with the additional benefit of saving space by eliminating the heat sink, which is normally used to allow the LDOs to dissipate the losses.

1.1 Key System Specifications

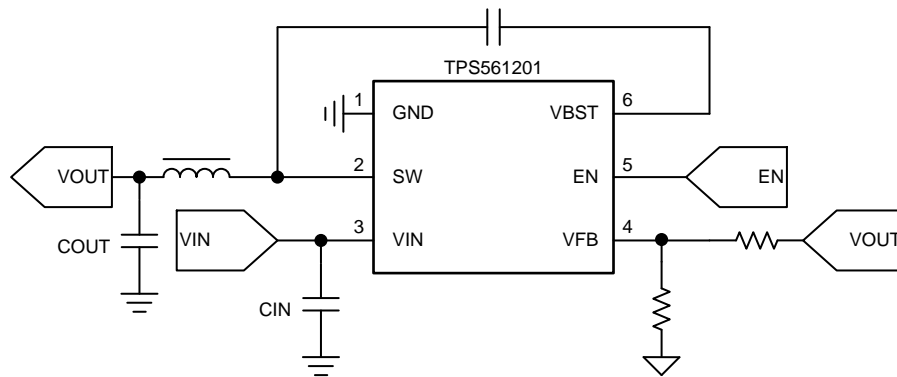
The specifications of the TIDA-01448 design are listed in 表 1:

表 1. Key System Specifications

PARAMETER	SPECIFICATIONS	DETAILS
Input voltage range	6.5 to 17 V	—
Output voltage and max current	5 V at 1 A	—
Efficiency (full load, rated load, and light load)	91.5%: 12 V → 5 V at 1 A; 82%: 12 V → 5 V at 10 mA	3.2.2.1
EMI performance	EN55022 class A, >4-dB margin	3.2.2.10
Regulation (line and load)	±3% across the input range and load current range	3.2.2.3
Transient response	±3% from 0.1 to 1.0 A	3.2.2.5
Protections	Short-circuit, hiccup mode OCP for both FETs, OTP, OVP	3.2.2.7
Operating ambient temperature	−30°C to 85°C	3.2.2.2

2 System Overview

2.1 Block Diagram



Copyright © 2017, Texas Instruments Incorporated

図 2. Block Diagram

2.2 Highlighted Products

2.2.1 TPS561201

The TPS561201 is a simple, easy-to-use, 1-A synchronous step-down converters in a SOT-23 package. The devices are optimized to operate with minimum external component counts and also optimized to achieve low standby current.

These switch mode power supply (SMPS) devices employ D-CAP2™ mode control providing a fast transient response and supporting both low equivalent series resistance (ESR) output capacitors such as specialty polymer and ultra-low ESR ceramic capacitors with no external compensation components.

The TPS561201 operates in pulse skip mode, which maintains high efficiency during light load operation. The TPS561201 is available in a 6-pin 1.6×2.9-mm SOT (DDC) package and specified from –40°C to 125°C of junction temperature.

Features:

- 1-A converter integrated 140-mΩ and 84-mΩ FETs
- D-CAP2 mode control with fast transient response
- Input voltage range: 4.5 to 17 V
- Output voltage range: 0.76 to 7 V
- Pulse-skip mode
- 580-kHz switching frequency
- Low shutdown current less than 10 μA
- 2% feedback voltage accuracy (25°C)
- Startup from pre-biased output voltage
- Cycle-by-cycle overcurrent limit
- Hiccup-mode overcurrent protection
- Non-latch UVP and TSD protections

- Fixed soft-start: 1.0 ms

2.3 System Design Theory

LDOs are devices that regulate the output voltage while the output current is the same as the input current. This implies losses are proportional to the dropout between input and output voltage and the output current, as shown in 式 1. These losses are the root cause of poor efficiency in LDOs. This translates to a limitation of the ratio between input and output voltage and maximum output current as well as the need of a heat sink. That heat sink adds cost and size to the overall solution.

A DC/DC switch mode power supply, including a Buck topology as in this project, present the advantage of having a higher efficiency, allowing them to be used in a wider variety of applications as well as being competitive with an LDO-based design with respect to cost and size (including all components and heat sink). Find more details on how a Buck topology works in the application report [Understanding Buck Power Stages In Switchmode Power Supplies](#) (SLVA057).

Compare the efficiency of the TIDA-01448 and an LDO-based design. The efficiency data for the TIDA-01448 design can be found in 3.2.2.1. In an LDO, the power to be dissipated can be estimated by 式 1.

$$P_{DISSIPATED} = (V_{IN} - V_{OUT}) \times I_{OUT} \tag{1}$$

Now calculate the power dissipated by a 12-V input, 5-V output design at 1 A, 500 mA, and 100 mA to see what the performances are for the TIDA-01448 and for the LDO-based design.

For 1 A, the efficiency of the TIDA-01448 is 91.5% (8.5% loss). With 5 W at the output, 0.425 W are dissipated. For the LDO-based design, 式 1 gives 7 W to be dissipated by the LDO.

For 500 mA, the efficiency of the TIDA-01448 is 90% (10% loss). With 2.5 W at the output, 0.25 W are dissipated. This is to be compared with 3.5 W for the LDO.

Finally for 100 mA, 0.055 W needs to be dissipated for the TIDA-01448 (86% efficiency) versus 0.7 W for the LDO-based design.

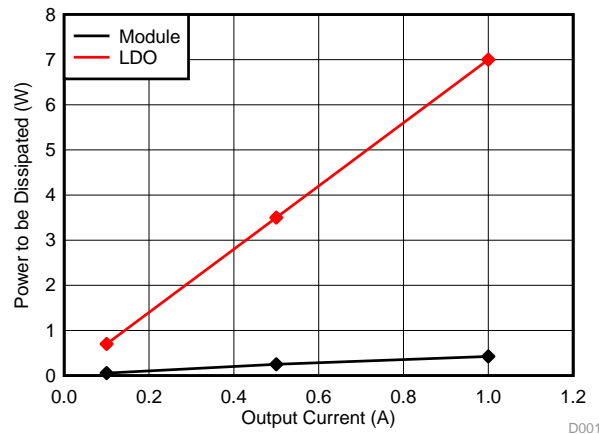


図 3. Comparison of Power Dissipated

As shown in 図 3, the LDO-based design needs to dissipate much more power than the TIDA-01448 design, which impacts both power consumption and cost and size due to the necessity of a heat sink.

2.4 Design Considerations

2.4.1 Part and Topology Selection

The first step of the design is to select the circuit topology. As cost and space are key in home appliance design and no isolation is needed for the 12-V to 5-V conversion, a Buck topology is chosen. Still, with the aim to reduce bill of material cost and size, a synchronous converter with integrated FET is preferred.

With this in mind, as well as the specification in 1.1, the TPS561201 is chosen. The converter includes two integrated switching FETs, internal loop compensation, and a 1-ms internal soft start to reduce component count. It integrates a 140-mΩ and a 84-mΩ MOSFET for up to 1-A continuous output current.

2.4.2 Design Steps and Passive Components Selection

The first step is to set the output voltage, which is adjusted by the resistor divider (R3 and R5). Set the range of the resistors; higher values decrease the losses in the resistor divider but make the feedback signal more sensitive to noise, while lower values will make the feedback signal more robust against noise but increase losses. On this project, a good trade-off is setting R5 at 10 kΩ and use 式 2 to calculate R3.

$$R_3 = \left(\frac{V_{OUT}}{0.768} - 1 \right) \times R_5 \quad (2)$$

where:

- R5 = 10 kΩ
- V_{OUT} = 5 V

式 2 gives R3 = 55.1 kΩ. A resistor value of 56.2 kΩ is then used for R3. By reversing 式 2, an effective output voltage of V_{OUT} = 5.084 V is given.

Then comes the choice of the output filter, including the output inductor (L1) and output capacitors (C3 and C4).

The LC filter used as the output filter has double pole at:

$$F_P = \frac{1}{2\pi\sqrt{L_{OUT} \times C_{OUT}}} \quad (3)$$

At low frequencies, the overall loop gain is set by the output set-point resistor divider network and the internal gain of the device. The low-frequency phase is 180 degrees. At the output filter pole frequency, the gain rolls off at a -40 dB per decade rate and the phase drops rapidly. D-CAP2 introduces a high frequency zero that reduces the gain roll off to -20 dB per decade and increases the phase to 90 degrees one decade above the zero frequency. The inductor and capacitor for the output filter must be selected so that the double pole of 式 3 is located below the high frequency zero but close enough that the phase boost provided by the high-frequency zero provides adequate phase margin for a stable circuit.

The inductor peak-to-peak ripple current, peak current, and RMS current are calculated using 式 4, 式 5, and 式 6. The inductor saturation current rating must be greater than the calculated peak current, and the RMS or heating current rating must be greater than the calculated RMS current. Use 580 kHz for f_{SW}. Make sure the chosen inductor is rated for the peak current of 式 5 and the RMS current of 式 6.

$$I_{p-p} = \frac{V_{OUT}}{V_{IN(MAX)}} \times \frac{V_{IN(MAX)} - V_{OUT}}{L_O \times f_{SW}} \quad (4)$$

$$I_{peak} = I_O + \frac{I_{p-p}}{2} \quad (5)$$

$$I_{LO(RMS)} = \sqrt{I_o^2 + \frac{1}{12} I_{p-p}^2} \quad (6)$$

For this TI Design, the inductor used is a Coilank ABG06A28M6R8 (6.8 μ H) with a peak current rating of 2.94 A and an RMS current rating of 2.47 A.

An inductor between 3.3 and 4.7 μ H is recommended, but during testing, a 6.8 μ H show improved performance increasing the stability of the whole system. At the same time, C6 (100 pF) is also added to increase the transient response.

The capacitor value and ESR determines the amount of output voltage ripple. The TPS561201 is intended for use with ceramic or other low-ESR capacitors. Recommended values range from 20 to 68 μ F. Use [式 7](#) to determine the required RMS current rating for the output capacitor.

$$I_{CO(RMS)} = \frac{V_{OUT} \times (V_{IN} - V_{OUT})}{\sqrt{12} \times V_{IN} \times L_o \times f_{SW}} \quad (7)$$

For this design, two MURATA 22- μ F output capacitors are used.

The next step is to set the input capacitor. The TPS561201 requires an input decoupling capacitor and a bulk capacitor is needed depending on the application. TI recommends a ceramic capacitor over 10 μ F for the decoupling capacitor. An additional 0.1- μ F capacitor (C3) from pin 3 to ground is optional to provide additional high-frequency filtering. The capacitor voltage rating needs to be greater than the maximum input voltage.

For bootstrap capacitor selection, a 0.1- μ F ceramic capacitor must be connected between the VBST to SW pin for proper operation. TI recommends to use a ceramic capacitor.

The last step is to select the input filter. Considering the rated input RMS current, this TI Design uses the ABG03A15M6R8 (6.8 μ H) with a peak current rating of 0.88 A and an RMS current rating of 0.88 A as the input inductor and use the C3216X5R1E226M160AB (22 μ F) as the input capacitor.

3 Hardware, Testing Requirements, and Test Results

3.1 Required Hardware

3.1.1 PCB Overview

A picture of the PCB with the functional blocks is shown in [Figure 4](#).

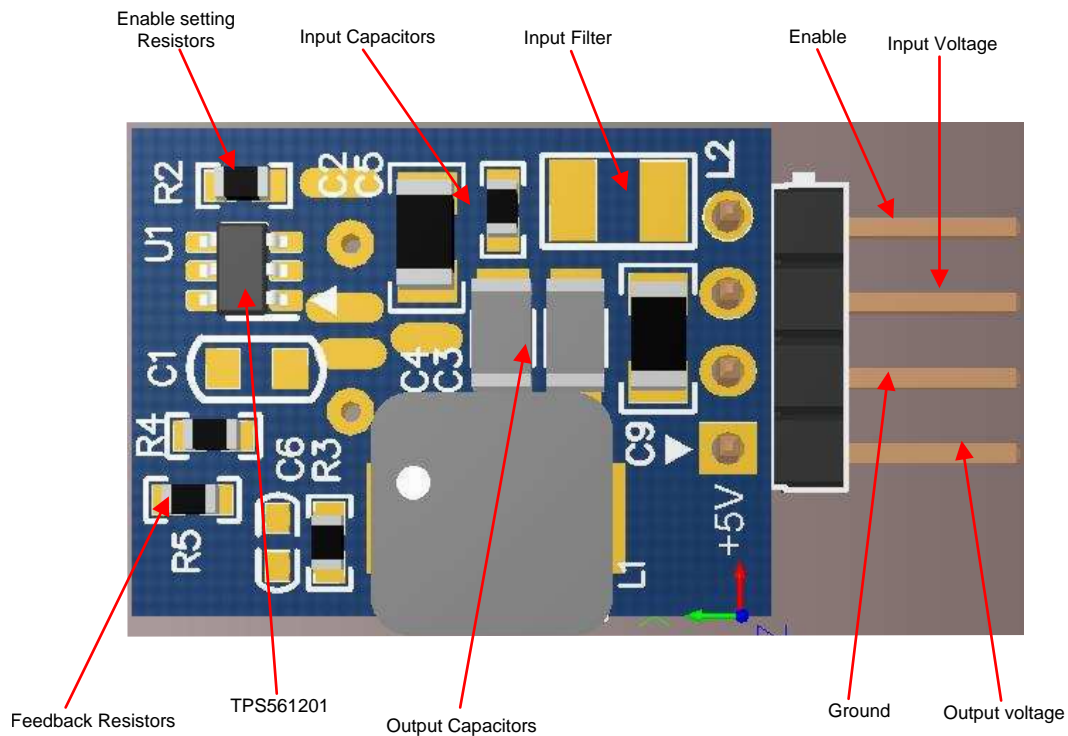


図 4. TIDA-01448 PCB With Functional Blocks

3.1.2 Connectors Settings

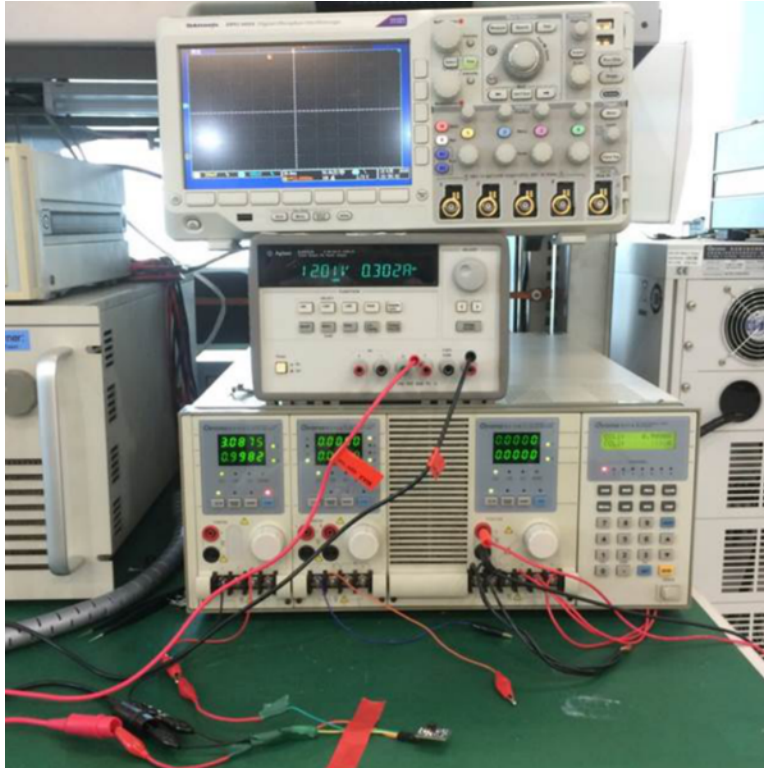
表 2. Connector Settings

CONNECTOR	FUNCTION
J1-1	EN
J1-2	V_{IN}
J1-3	GND
J1-4	V_{OUT}

3.2 Testing and Results

3.2.1 Test Setup

☒ 5 shows the setup and the test equipment used.



☒ 5. Picture of Test Setup for TIDA-01448

表 3 lists the test equipment used to test the TIDA-01448.

表 3. Test Equipment

TEST EQUIPMENT	PART NUMBER
Oscilloscope	Tektronix DPO 3054
Voltage probe	Tektronix P6139A
Current probe	Tektronix TCP202
Multimeter	Fluke 287C
Power supply	Agilent E3631A
Electronic load	Chroma 63103 and 63102
Thermal camera	Fluke T1110

3.2.2 Test Results

3.2.2.1 Efficiency

To test the efficiency, four multimeters are used: two are set up as voltmeters to measure the input and output voltages, and two are set up as ammeters to measure the input and output currents.

The measurements are done at a temperature of 28.1°C and with the enable setting resistors (R2 and R4) not populate, with a 6-V apply to the Enable pin.

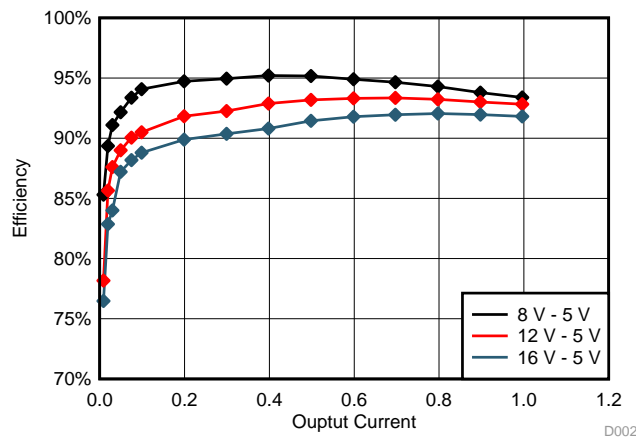


図 6. TIDA-01448 Efficiency

表 4, 表 5, and 表 6 list the details of the efficiency curves shown in 図 6.

表 4. Efficiency With 8-V Input

V _{IN} (V)	I _{IN} (mA)	V _{OUT} (V)	I _{OUT} (mA)	η
7.930	0.6593	4.9010	0.9962	0.933845385
7.940	0.5914	4.9070	0.8975	0.937883062
7.940	0.5232	4.9130	0.7973	0.942931818
7.950	0.4556	4.9180	0.6971	0.946526469
7.960	0.3900	4.9230	0.5984	0.948950908
7.960	0.3241	4.9280	0.4982	0.951661113
7.970	0.2588	4.9340	0.3980	0.952049707
7.980	0.1950	4.9380	0.2992	0.949456719
7.980	0.1363	5.1775	0.1990	0.947271425
7.990	0.0681	5.1860	0.0987	0.940710029
7.990	0.0519	5.1760	0.0748	0.933644898
7.990	0.0346	5.1680	0.0493	0.921608658
7.990	0.0212	5.1605	0.0299	0.910920195
7.995	0.0140	5.1555	0.0194	0.893564728
7.995	0.0068	5.1530	0.0090	0.853051540

表 5. Efficiency With 12-V Input

V_{IN} (V)	I_{IN} (mA)	V_{OUT} (V)	I_{OUT} (mA)	η
11.950	0.4453	4.958	0.9963	0.928273713
11.960	0.4005	4.964	0.8975	0.930106180
11.960	0.3553	4.969	0.7973	0.932318654
11.965	0.3105	4.975	0.6971	0.933499007
11.970	0.2668	4.980	0.5984	0.933127421
11.970	0.2227	4.986	0.4982	0.931840603
11.980	0.1782	4.982	0.3980	0.928800151
11.980	0.1415	5.227	0.2992	0.922573193
11.985	0.0945	5.226	0.1990	0.918232447
11.990	0.0472	5.189	0.0987	0.904981376
11.990	0.0359	5.182	0.0748	0.900503437
11.990	0.0239	5.173	0.0493	0.889963742
11.990	0.0147	5.164	0.0299	0.876033883
11.990	0.0098	5.161	0.0195	0.856491804
11.990	0.0049	5.160	0.0089	0.781671801

表 6. Efficiency With 16-V Input

V_{IN} (V)	I_{IN} (mA)	V_{OUT} (V)	I_{OUT} (mA)	η
15.97	0.3388	4.986	0.9963	0.918108666
15.97	0.3051	4.992	0.8976	0.919624000
15.97	0.2711	4.998	0.7974	0.920530218
15.98	0.2374	5.004	0.6971	0.919506692
15.98	0.2044	5.010	0.5984	0.917849856
15.98	0.1707	5.007	0.4982	0.914473276
15.98	0.1437	5.239	0.3980	0.908025254
15.98	0.1087	5.246	0.2992	0.903615260
15.99	0.0724	5.229	0.1990	0.898844754
15.99	0.0361	5.193	0.0987	0.887932208
15.99	0.0275	5.184	0.0748	0.881831144
15.99	0.0183	5.176	0.0493	0.872050496
15.99	0.0115	5.166	0.0299	0.840000000
15.99	0.0076	5.164	0.0195	0.828626444
15.99	0.0038	5.163	0.0090	0.764737830

3.2.2.2 Thermal

The thermal picture in [Figure 7](#) was taken at a room temperature of 28.1°C, with a 12-V input, 5 V at 1-A output without airflow.

The hottest point of the design is the TPS561201 at 61.6°C. This is an increase of 33.5°C. Because the acceptable ambient temperature range is –30°C to 85°C, no heat sink is required for the TIDA-01448 to function properly.

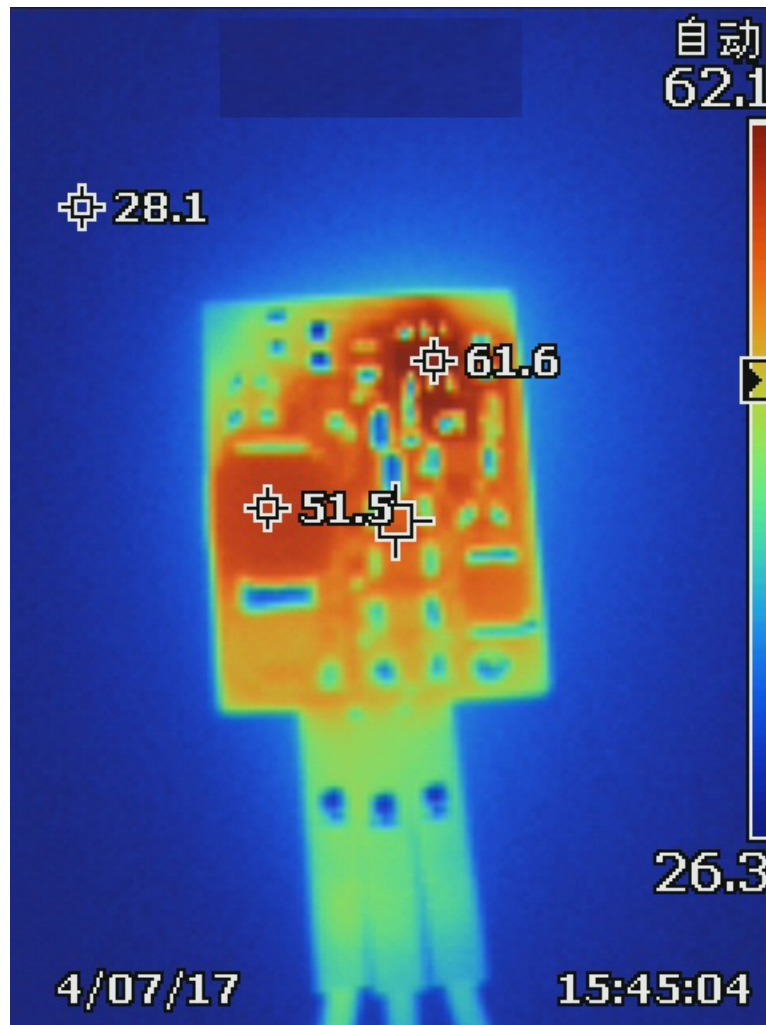


図 7. Top-Side Thermal Picture With 12-V_{IN}, 5 V at 1-A Output

3.2.2.3 Line and Load Regulation

Figure 8, Figure 9, and Figure 10 show the output voltage variation, depending on load current, input voltage, and temperature. Across all input voltages and output currents, the output voltage varies between 5.25 and 4.9 V.

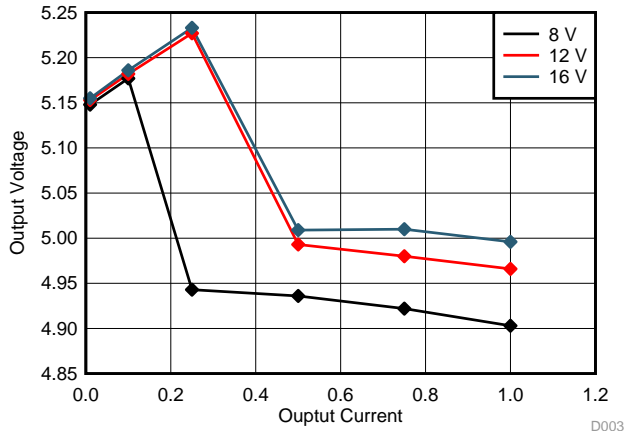


Figure 8. Line and Load Regulation at 85°C

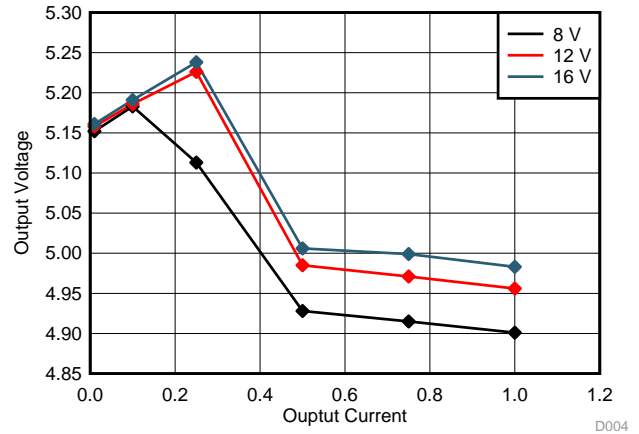


Figure 9. Line and Load Regulation at 23°C

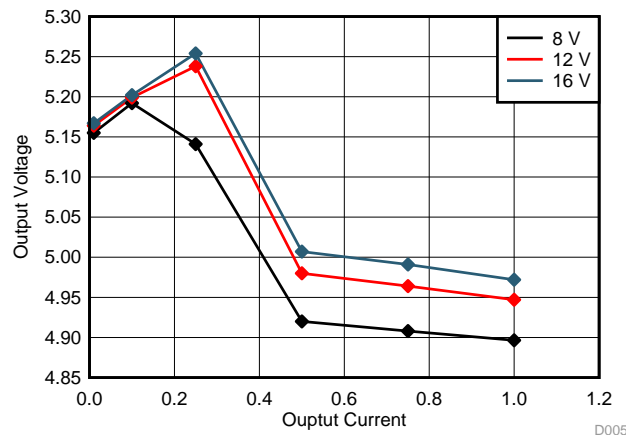


Figure 10. Line and Load Regulation at -30°C

表 7, 表 8, and 表 9 list the details of the regulation curves shown in 図 8 and 図 10.

表 7. Line and Load Regulation at 85°C

V_{IN}	V_{OUT}	I_{OUT}
16	4.996	1.00
16	5.010	0.75
16	5.009	0.50
16	5.233	0.25
16	5.186	0.10
16	5.155	0.01
12	4.966	1.00
12	4.980	0.75
12	4.993	0.50
12	5.227	0.25
12	5.182	0.10
12	5.153	0.01
8	4.903	1.00
8	4.922	0.75
8	4.936	0.50
8	4.943	0.25
8	5.177	0.10
8	5.148	0.01

表 8. Line and Load Regulation at 23°C

V_{IN}	V_{OUT}	I_{OUT}
16	4.983	1.00
16	4.999	0.75
16	5.006	0.50
16	5.238	0.25
16	5.191	0.10
16	5.161	0.01
12	4.956	1.00
12	4.971	0.75
12	4.985	0.50
12	5.226	0.25
12	5.186	0.10
12	5.158	0.01
8	4.901	1.00
8	4.915	0.75
8	4.928	0.50
8	5.113	0.25
8	5.183	0.10
8	5.152	0.01

表 9. Line and Load Regulation at -30°C

V_{IN}	V_{OUT}	I_{OUT}
16	4.9720	1.00
16	4.9910	0.75
16	5.0070	0.50
16	5.2540	0.25
16	5.2020	0.10
16	5.1670	0.01
12	4.9470	1.00
12	4.9640	0.75
12	4.9800	0.50
12	5.2380	0.25
12	5.1990	0.10
12	5.1640	0.01
8	4.8965	1.00
8	4.9080	0.75
8	4.9200	0.50
8	5.1410	0.25
8	5.1920	0.10
8	5.1550	0.01

3.2.2.4 Output Voltage Ripple

The output voltage ripple remains below 30 mVpp under full load (1 A), low load (10 mA), or no load. This ripple is well below the initial requirements of $\pm 1\%$.

Measurements are done at 28.1°C room temperature with a 12-V input voltage. The upper curve (1) is the output voltage with an oscilloscope in AC-coupling mode with 20 mV/div. The lower curve (2) is the switch node (pin 2 of the TPS561201) with 5 V/div.

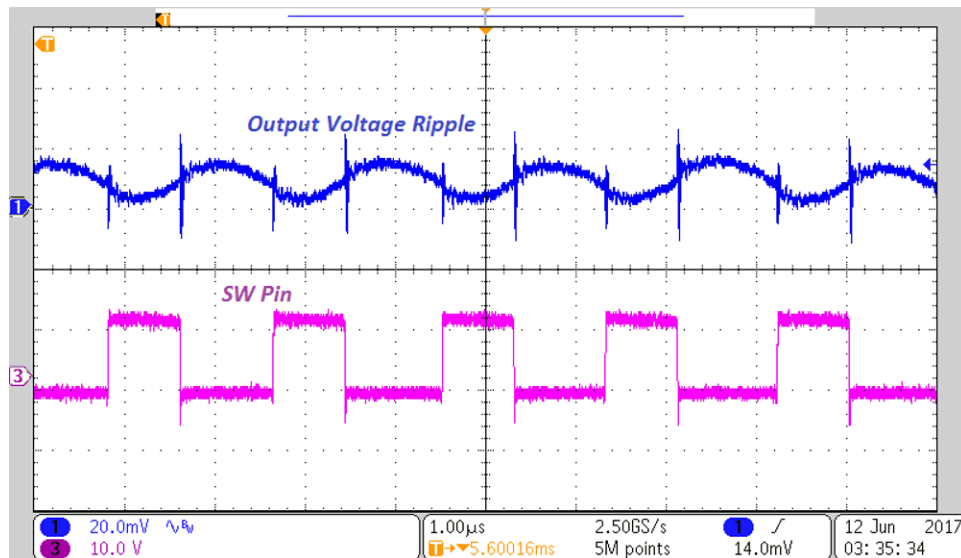


図 11. Output Voltage Ripple at 1-A Output Load

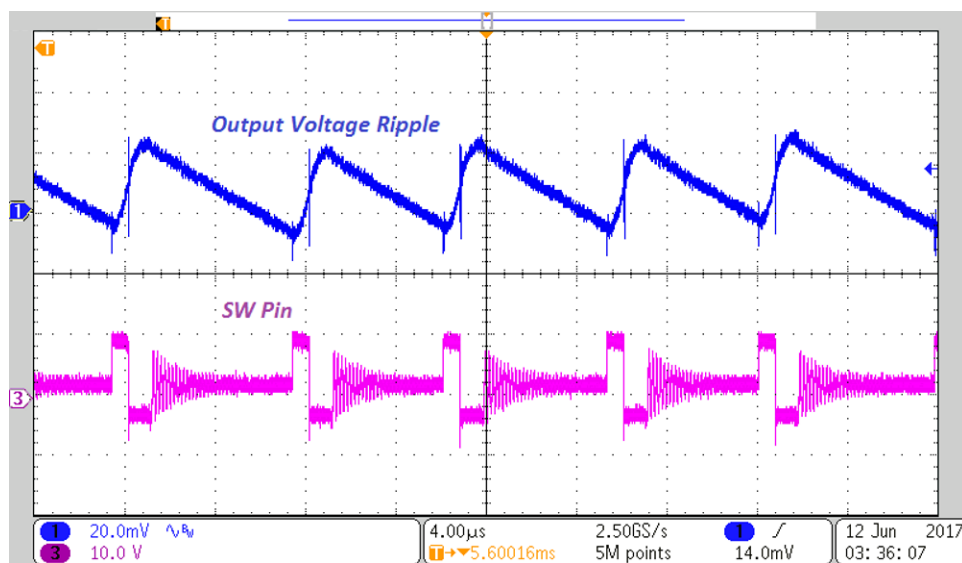


図 12. Output Voltage Ripple at 10-mA Output Load

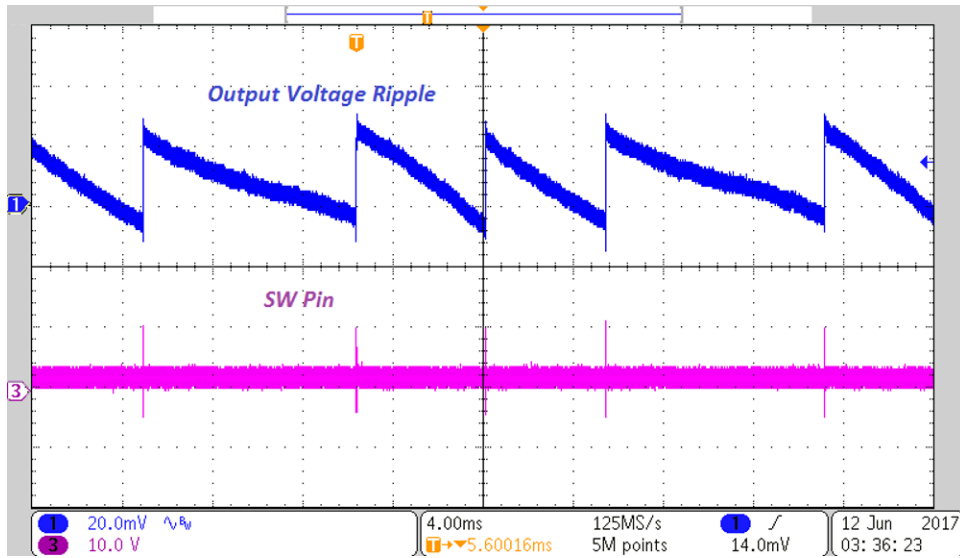


図 13. Output Voltage Ripple at No Load Output

3.2.2.5 Transient Response

The transient response is below ± 10 mV for load steps between 10 mA and 1 A, which are the design requirements ($\pm 3\%$).

Measurements are done at 28.1°C room temperature with a 12-V input voltage. The upper curve (1) is the output voltage with an oscilloscope in AC-coupling mode with 10 mV/div. The lower curve (4) is the output current with 1 A/div. The load step is applied with a 1-A/ms slew rate.

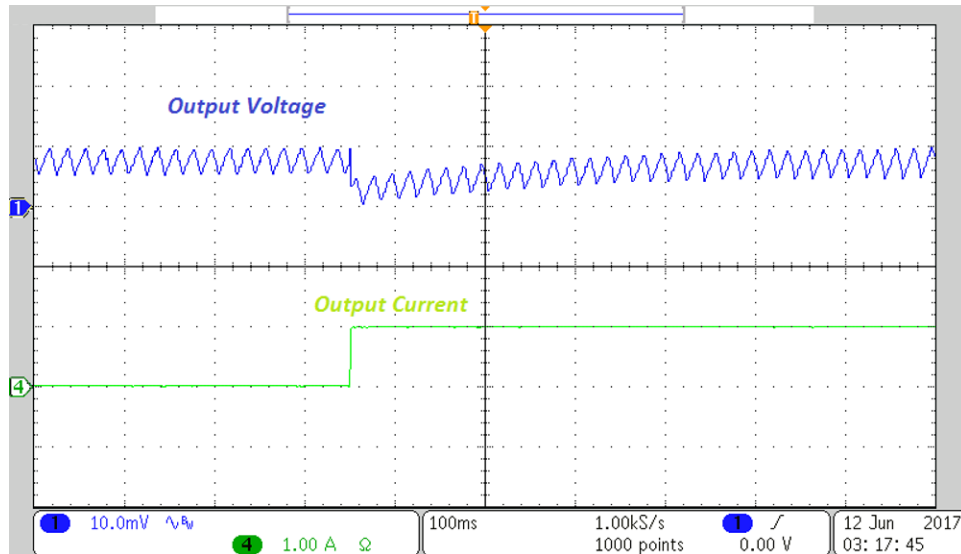


図 14. Transient Response From 10-mA to 1-A Output Load

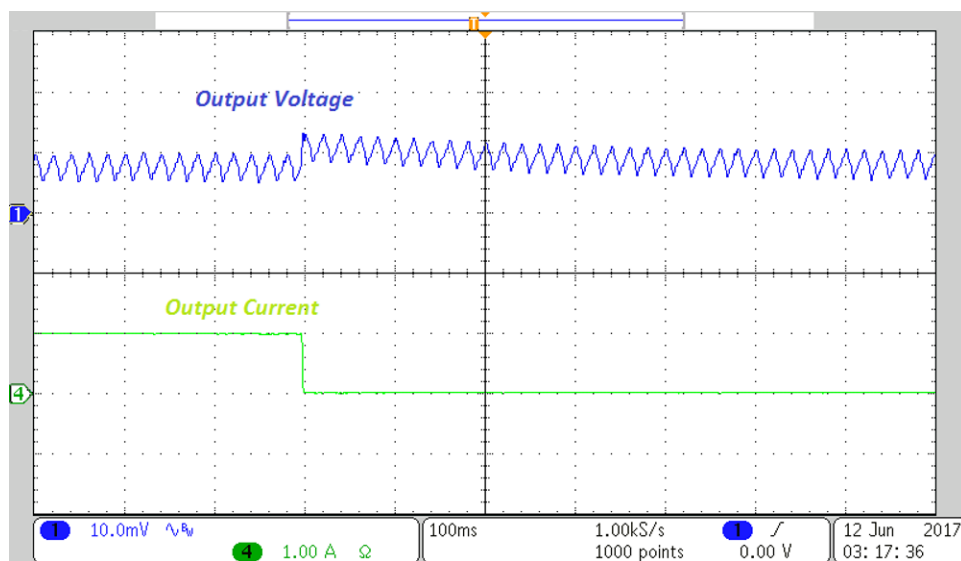


図 15. Transient Response From 1-A to 10-mA Output Load

3.2.2.6 Start-up and Shutdown

For the start-up and the shutdown behavior, 12 V is applied at the input with a 1-A load at the output.

Measurements are done at 28.1°C room temperature. The upper curve (3) is the EN pin with an oscilloscope in DC-coupling mode with 2 V/div. The lower curve (2) is the switch node pin signal with an oscilloscope in DC-coupling mode with 10 V/div. The upper curve (1) is the output voltage with an oscilloscope in DC-coupling mode with 5 V/div. The lower curve (4) is the output current with 1 A/div.

The TIDA-01448 design takes 1.7 ms to provide 5 V. The output voltage is reached without overshoot.

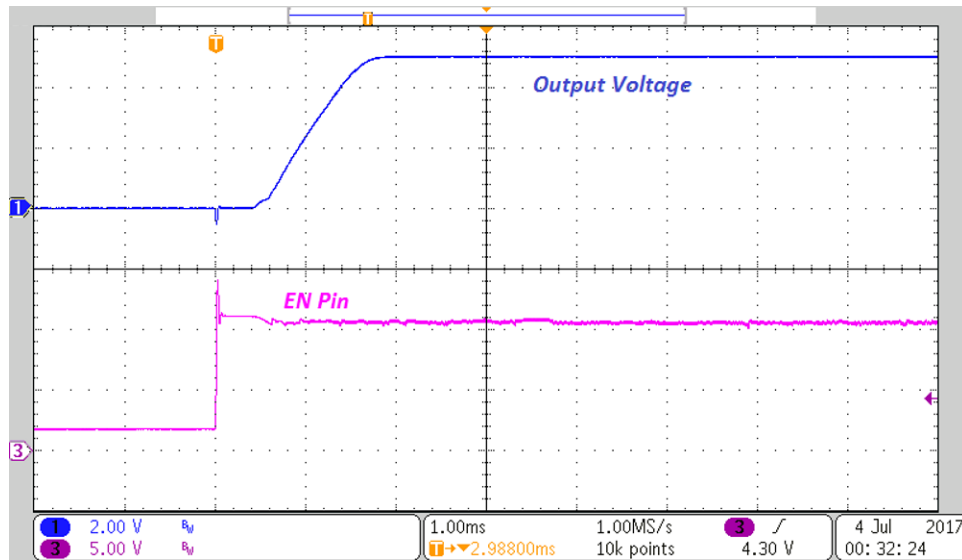


図 16. Start-up at 12-V Input and 1-A Output Load

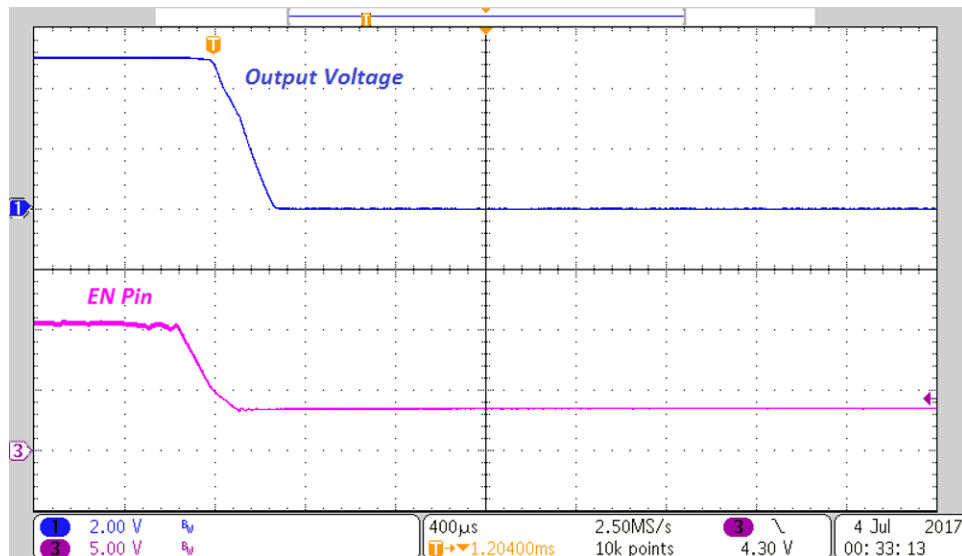


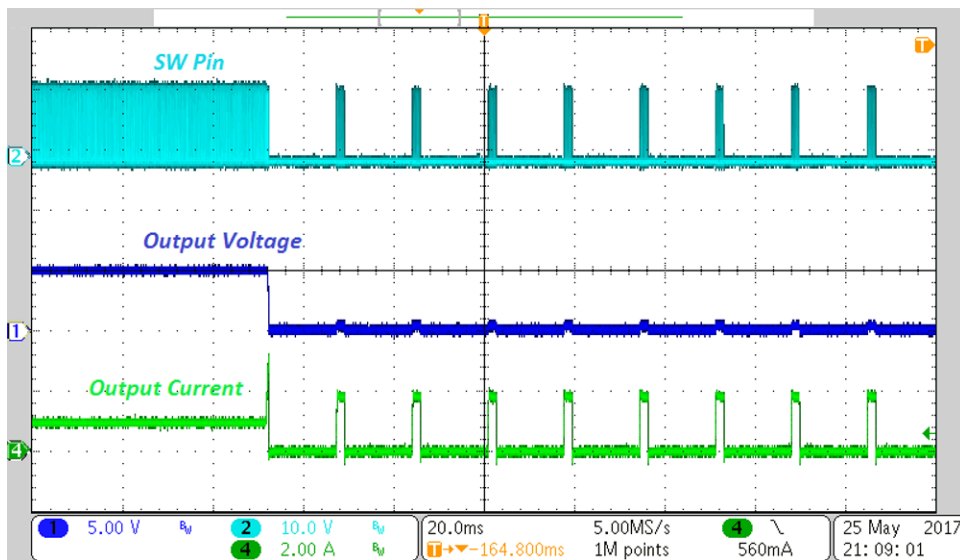
図 17. Shutdown at 12-V Input and 1-A Output Load

3.2.2.7 Overcurrent and Short-Circuit Test

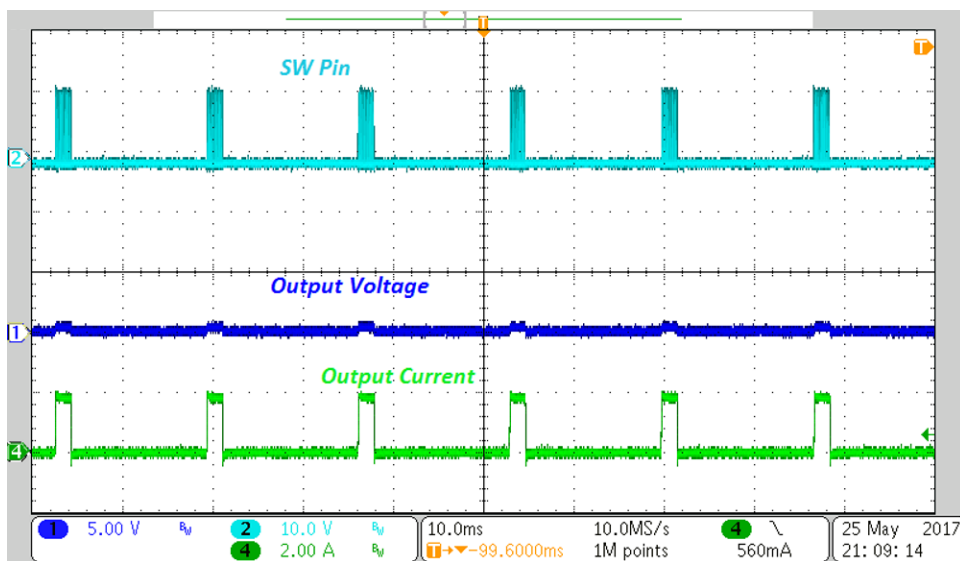
The overcurrent protection is tested by having a transient load from a 1- to 3-A output current while the board is supplied with 12 V. The short-circuit protection is tested by shorting the output pin to ground.

The upper curve (1) is the output voltage with an oscilloscope in DC-coupling mode with 2 V/div (☒ 18) and 1 V/div (☒ 19). The lower curve (4) is the output current with 2 A/div.

As shown in ☒ 18 and ☒ 19, when the current is rising to the current limit level, the device enters overcurrent protection as described in the TPS561201 datasheet (SLVSC95). After waiting the pre-programmed time, the device tries to restart. Once the fault condition is removed, the device starts normally.



☒ 18. Overcurrent Protection



☒ 19. Short-Circuit Protection

3.2.2.8 Overvoltage Test

The overvoltage protection is tested by applying 6 V at the output of the TIDA-01448 board while the board is supplied with 12 V and with a 1-A output load.

The upper curve (1) is the output voltage with an oscilloscope in DC-coupling mode with 2 V/div. The lower curve (2) is voltage at the switch node with 5 V/div.

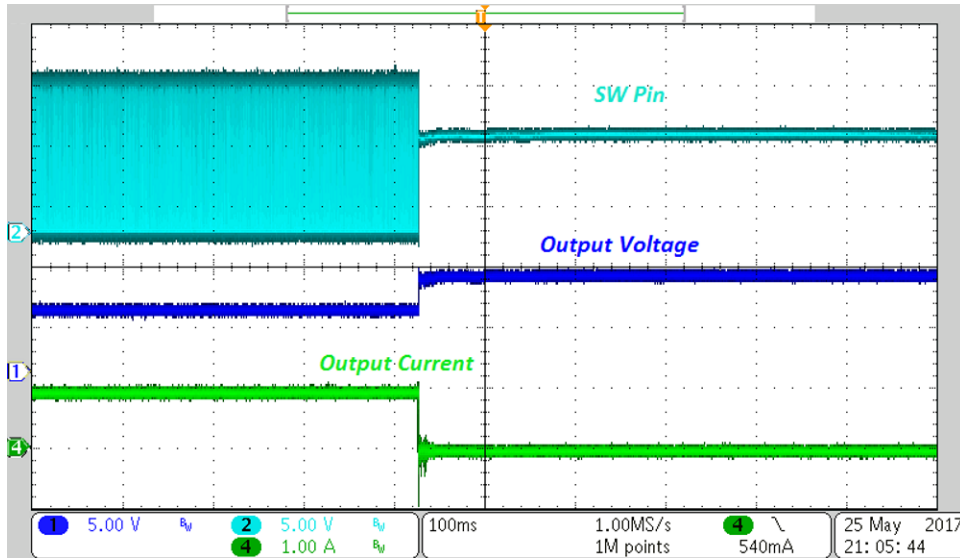


図 20. Overvoltage Protection From 5 to 6 V

3.2.2.9 Standby and No-Load Currents

The standby current is measured with an ammeter at 26°C room temperature with a 12-V input voltage. The enable pin was set low through the connector, and the enable setting resistors (R2 and R4) not populated. The standby current was measured at 1.3 μ A.

The no-load current was measured with an ammeter at 26°C room temperature with a 12-V input voltage, with the enable setting resistors (R2 and R4) populated and no load attached at the output. The no-load current was measured at 472 μ A.

3.2.2.10 EMC Tests

The TIDA-01448 TI Design has been tested for EMI according to EN55022 Class A conducted emissions. The EMC tests were performed by the Shanghai Institute of Measurement and Testing Technology Fundamental Performance Test Centre (China).

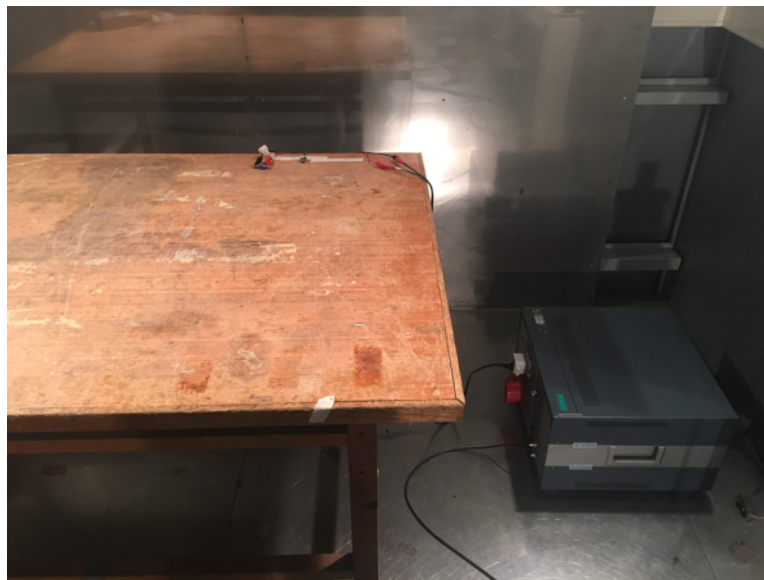


図 21. Conducted Emission Test Setup

The board pass the conducted emission test with more than 4 dB of margin.

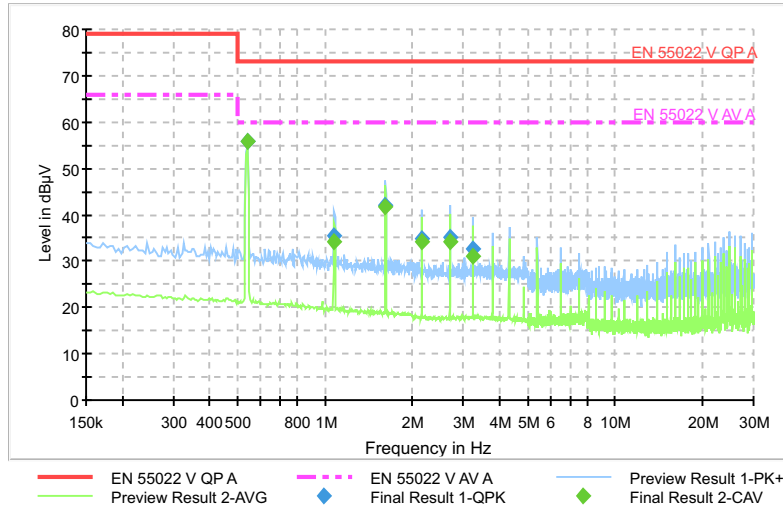


図 22. Conducted Emission Test Result

表 10. Final Result 1

FREQ (MHz)	QUASIPEAK (dBµV)	MEAS TIME (ms)	BANDWIDTH (kHz)	PE	LINE	CORR (dB)	MARGIN (dB)	LIMIT (dBµV)
0.5405	55.8	1000	9	FLO	L1	20.3	17.2	73
1.0760	35.5	1000	9	FLO	L1	20.4	37.5	73
1.1610	42.2	1000	9	FLO	L1	20.5	30.8	73
2.1560	34.8	1000	9	FLO	L1	20.6	38.2	73
2.6960	35.0	1000	9	FLO	L1	20.6	38.0	73
3.2360	32.6	1000	9	FLO	L1	20.7	40.4	73

表 11. Final Result 2

FREQ (MHz)	AVERAGE (dBµV)	MEAS TIME (ms)	BANDWIDTH (kHz)	PE	LINE	CORR (dB)	MARGIN (dB)	LIMIT (dBµV)
0.5405	55.9	1000	9	FLO	L1	20.3	4.1	60
1.0760	34.2	1000	9	FLO	L1	20.4	25.8	60
1.1610	41.6	1000	9	FLO	L1	20.5	18.4	60
2.1560	34.2	1000	9	FLO	L1	20.6	25.8	60
2.6960	34.0	1000	9	FLO	L1	20.6	26	60
3.2360	31.0	1000	9	FLO	L1	20.7	29	60

4 Design Files

4.1 Schematics

To download the schematics, see the design files at [TIDA-01448](#).

4.2 Bill of Materials

To download the bill of materials (BOM), see the design files at [TIDA-01448](#).

4.3 PCB Layout Recommendations

In switch mode DC/DC, take care to avoid coupling between the different loops to improve performances. In a Buck topology, the input loop is particularly critical; for this reason, place the input capacitors as close as possible to the TPS561201.

This is done by separating the noise sensitive loop (feedback and enable) from the high di/dt loops (input, switch node, bootstrap). Separate these loops by placing the components and traces of the feedback and enable loop as far as possible from components and traces with high di/dt.

Also give special attention to the ground plane; try to make it as large and as solid as possible to both reduce noise sensitivity and help thermal dissipation. With regards to thermal dissipation, the input and output voltage planes must also be made as large and solid as possible to help keep the board as cool as possible.

Lastly, the soldering pad for the inductor was slightly enlarged to allow the tests of several inductors.

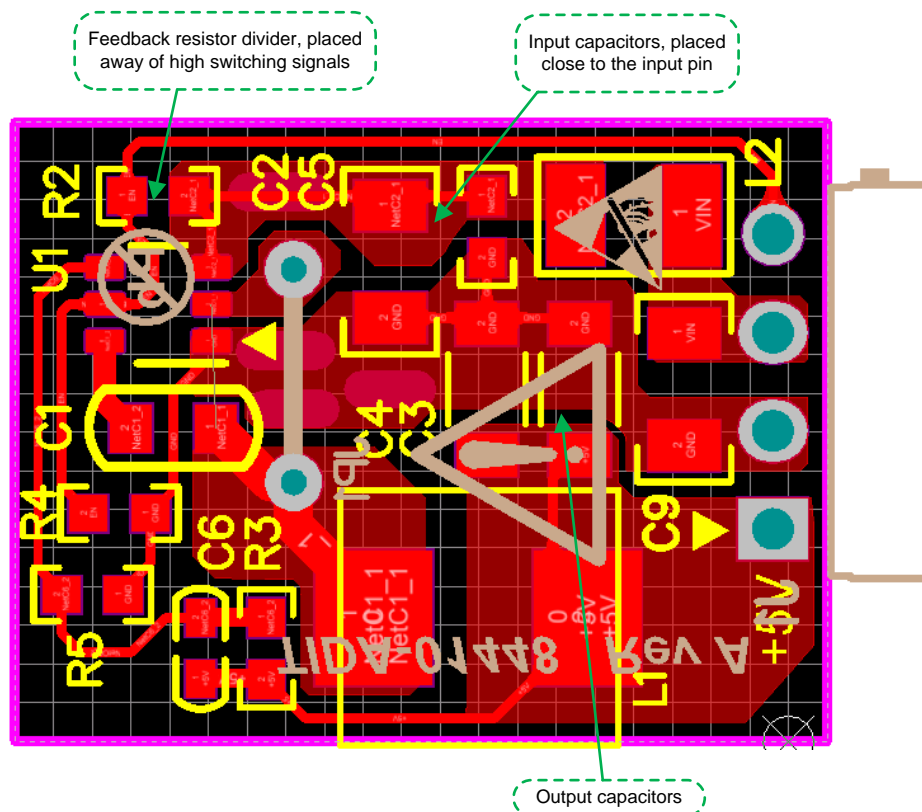


図 23. Top Layer

4.3.1 Layout Prints

To download the layer plots, see the design files at [TIDA-01448](#).

4.4 Altium Project

To download the Altium project files, see the design files at [TIDA-01448](#).

4.5 Gerber Files

To download the Gerber files, see the design files at [TIDA-01448](#).

4.6 Assembly Drawings

To download the assembly drawings, see the design files at [TIDA-01448](#).

5 Related Documentation

1. Texas Instruments, [Understanding Buck Power Stages In Switchmode Power Supplies](#), Application Report (SLVA057)
2. Texas Instruments, [Layout Tips for EMI Reduction in DC / DC Converters](#), AN-2155 Application Report (SNVA638)
3. Texas Instruments, [Simple Success With Conducted EMI From DCDC Converters](#), AN-2162 Application Report (SNVA489)

5.1 商標

D-CAP2 is a trademark of Texas Instruments.

Wi-Fi is a registered trademark of Wi-Fi Alliance.

すべての商標および登録商標はそれぞれの所有者に帰属します。

6 About the Authors

YUAN (JASON) TAO is a systems engineer at Texas Instruments, where he is responsible for developing reference design solutions for the industrial segment. Yuan brings to this role his extensive experience in power electronics, high-frequency DC-DC, AC-DC converters, and analog circuit design. Yuan earned his master of IC design and manufacture from Shanghai Jiao Tong University in 2007.

KEVIN STAUDER is a system engineer in the Industrial Systems team at Texas Instruments, responsible for developing TI Designs for industrial applications.

TIの設計情報およびリソースに関する重要な注意事項

Texas Instruments Incorporated ("TI")の技術、アプリケーションその他設計に関する助言、サービスまたは情報は、TI製品を組み込んだアプリケーションを開発する設計者に役立つことを目的として提供するものです。これにはリファレンス設計や、評価モジュールに関する資料が含まれますが、これらに限られません。以下、これらを総称して「TIリソース」と呼びます。いかなる方法であっても、TIリソースのいずれかをダウンロード、アクセス、または使用した場合、お客様(個人、または会社を代表している場合にはお客様の会社)は、これらのリソースをここに記載された目的にのみ使用し、この注意事項の条項に従うことに合意したものとします。

TIによるTIリソースの提供は、TI製品に対する該当の発行済み保証事項または免責事項を拡張またはいかなる形でも変更するものではなく、これらのTIリソースを提供することによって、TIにはいかなる追加義務も責任も発生しないものとします。TIは、自社のTIリソースに訂正、拡張、改良、およびその他の変更を加える権利を留保します。

お客様は、自らのアプリケーションの設計において、ご自身が独自に分析、評価、判断を行う責任がお客様にあり、お客様のアプリケーション(および、お客様のアプリケーションに使用されるすべてのTI製品)の安全性、および該当するすべての規制、法、その他適用される要件への遵守を保証するすべての責任をお客様のみが負うことを理解し、合意するものとします。お客様は、自身のアプリケーションに関して、(1) 故障による危険な結果を予測し、(2) 障害とその結果を監視し、および、(3) 損害を引き起こす障害の可能性を減らし、適切な対策を行う目的で、安全策を開発し実装するために必要な、すべての技術を保持していることを表明するものとします。お客様は、TI製品を含むアプリケーションを使用または配布する前に、それらのアプリケーション、およびアプリケーションに使用されているTI製品の機能性を完全にテストすることに合意するものとします。TIは、特定のTIリソース用に発行されたドキュメントで明示的に記載されているもの以外のテストを実行していません。

お客様は、個別のTIリソースにつき、当該TIリソースに記載されているTI製品を含むアプリケーションの開発に関連する目的でのみ、使用、コピー、変更することが許可されています。明示的または黙示的を問わず、禁反言の法理その他どのような理由でも、他のTIの知的所有権に対するその他のライセンスは付与されません。また、TIまたは他のいかなる第三者のテクノロジーまたは知的所有権についても、いかなるライセンスも付与されるものではありません。付与されないものには、TI製品またはサービスが使用される組み合わせ、機械、プロセスに関連する特許権、著作権、回路配置利用権、その他の知的所有権が含まれますが、これらに限られません。第三者の製品やサービスに関する、またはそれらを参照する情報は、そのような製品またはサービスを利用するライセンスを構成するものではなく、それらに対する保証または推奨を意味するものでもありません。TIリソースを使用するため、第三者の特許または他の知的所有権に基づく第三者からのライセンス、あるいはTIの特許または他の知的所有権に基づくTIからのライセンスが必要な場合があります。

TIのリソースは、それに含まれるあらゆる欠陥も含めて、「現状のまま」提供されます。TIは、TIリソースまたはその仕様に関して、明示的か暗黙的にかかわらず、他のいかなる保証または表明も行いません。これには、正確性または完全性、権原、続発性の障害に関する保証、および商品性、特定目的への適合性、第三者の知的所有権の非侵害に対する黙示的保証が含まれますが、これらに限られません。

TIは、いかなる苦情に対しても、お客様への弁済または補償を行う義務はなく、行わないものとします。これには、任意の製品の組み合わせに関連する、またはそれらに基づく侵害の請求も含まれますが、これらに限られず、またその事実についてTIリソースまたは他の場所に記載されているか否かを問わないものとします。いかなる場合も、TIリソースまたはその使用に関連して、またはそれらにより発生した、実際の、直接的、特別、付随的、間接的、懲罰的、偶発的、または、結果的な損害について、そのような損害の可能性についてTIが知らされていたかどうかにかかわらず、TIは責任を負わないものとします。

お客様は、この注意事項の条件および条項に従わなかったために発生した、いかなる損害、コスト、損失、責任からも、TIおよびその代表者を完全に免責するものとします。

この注意事項はTIリソースに適用されます。特定の種類の資料、TI製品、およびサービスの使用および購入については、追加条項が適用されます。これには、半導体製品(<http://www.ti.com/sc/docs/stdterms.htm>)、評価モジュール、およびサンプル(<http://www.ti.com/sc/docs/sampterm.htm>)についてのTIの標準条項が含まれますが、これらに限られません。