

## TI Designs: TIDA-01466

# 超音波アナログ・フロント・エンド用低電圧、低ノイズ電源のリファレンス・デザイン



### 概要

このリファレンス・デザインは、超音波イメージング・システムにおける8つの16チャンネルAFE ICへの給電用に最適化された電源です。この電源デザインでは部品点数を削減しながら、シングルチップのDC-DCコンバータ+LDOコンボ・レギュレータを使用して効率性を最大限に高め、各LDO入力をドロップアウト電圧より少し高く設定できます。超低ノイズのLDOにより、A/D変換からより高い分解能を獲得しやすくなり、画質の向上につながります。このデザインでは、システム・クロックによる周波数同期が可能になり、設計者がフィルタリング技術を適用して接地ループの電源スイッチング・ノイズを除去したり、拡散スペクトラム・クロッキングを使用してEMIを低減することができます。このデザインは、シンプルで柔軟な過電流保護を実現するeFuse ICを実装しています。

### リソース

<a href="#">TIDA-01466</a>	デザイン・フォルダ
<a href="#">TPS54122-Q1</a>	プロダクト・フォルダ
<a href="#">TPS54824</a>	プロダクト・フォルダ
<a href="#">TPS7A84</a>	プロダクト・フォルダ
<a href="#">TPS7A8300</a>	プロダクト・フォルダ
<a href="#">LM3881</a>	プロダクト・フォルダ
<a href="#">CDCLVC1106</a>	プロダクト・フォルダ
<a href="#">TPS25926</a>	プロダクト・フォルダ
<a href="#">TLV704</a>	プロダクト・フォルダ



[E2Eエキスパートに質問](#)

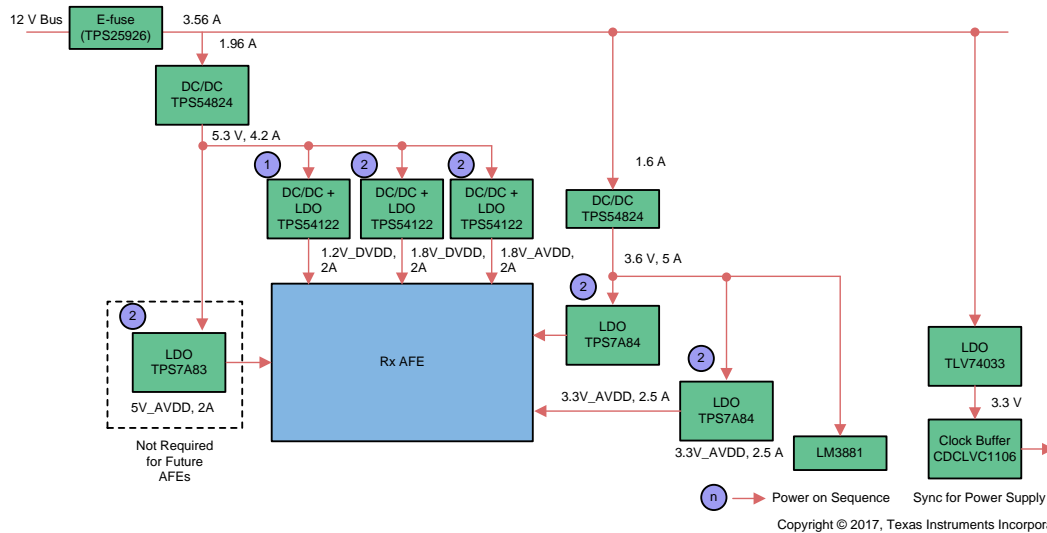
### 特長

- 12V入力超音波システム・フロント・エンドに最適
- 入力電流制限4.2Aで動作するeFuse
- 最大128チャンネル(拡張可能なチャンネル数)で8つのAFEに給電可能、36Wの電源出力をサポート
- コンボDC/DCコンバータ+LDO ICにより、LDO入力をドロップアウト電圧より少し高く設定して、最大限のLDO効率を実現
- 高PSRRで超低ノイズ(4.4 $\mu$ V<sub>RMS</sub>)のLDOを使用することにより、A/D変換で得られる最高の分解能を実現
- 同一T/R基板上のすべてのAFEに共通の同期電源により、基板面積を削減し、ノイズ低減とEMI除去を支援

### アプリケーション

- 医療用超音波スキャナ
- SONARイメージング機器
- 非破壊検査機器





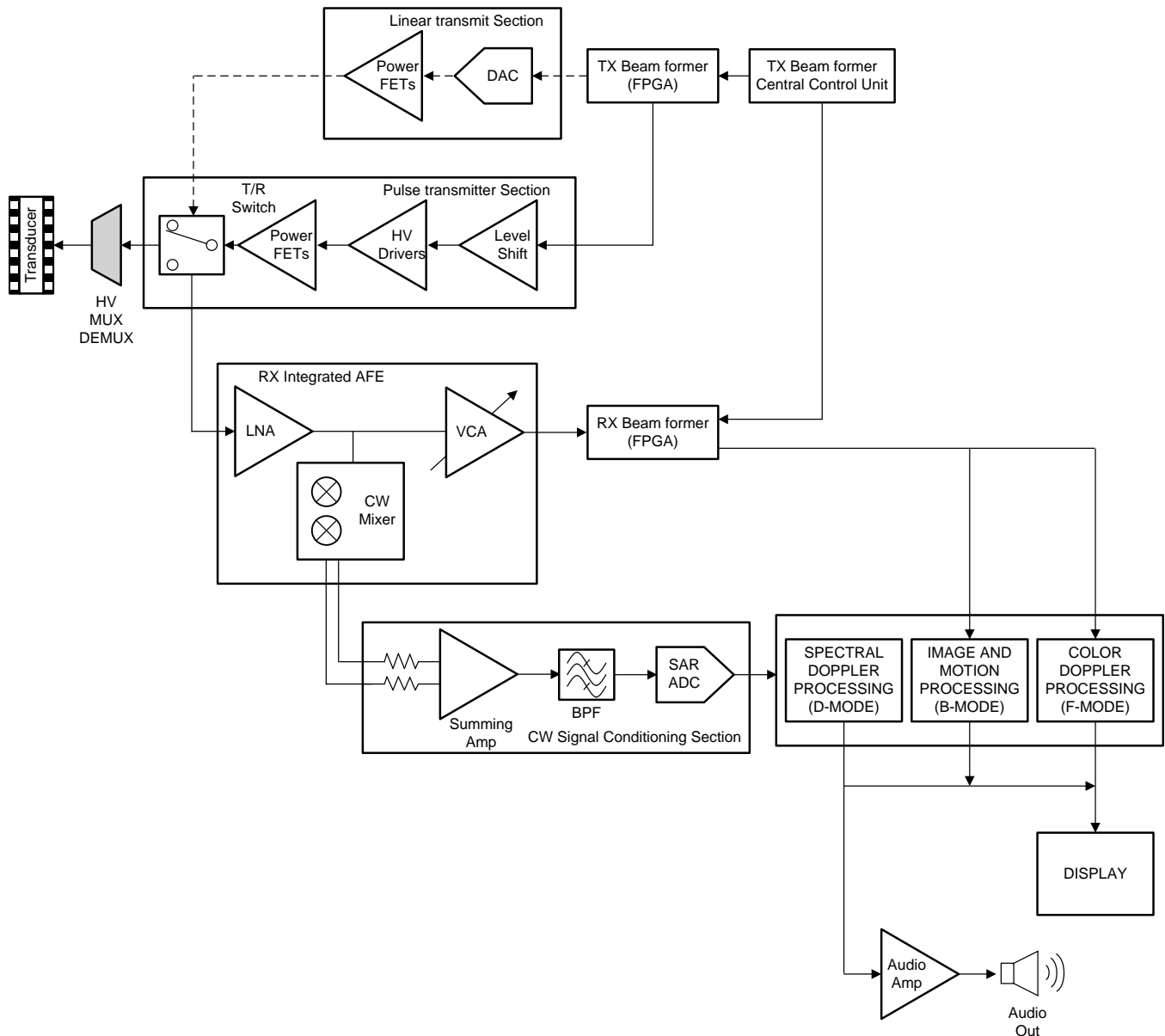
使用許可、知的財産、その他免責事項は、最終ページにあるIMPORTANT NOTICE(重要な注意事項)をご参照くださいますようお願いいたします。英語版のTI製品についての情報を翻訳したこの資料は、製品の概要を確認する目的で便宜的に提供しているものです。該当する正式な英語版の最新情報は、[www.ti.com](http://www.ti.com)で閲覧でき、その内容が常に優先されます。TIでは翻訳の正確性および妥当性につきましては一切保証いたしません。実際の設計などの前には、必ず最新版の英語版をご参照くださいますようお願いいたします。

## 1 System Description

Ultrasound imaging systems use high-frequency sound waves (several MHz or more) to image internal structures by the differing reflection signals produced when a beam of sound waves is projected into the body and bounces back at the interfaces between those structures. Ultrasound diagnosis differs from radiological diagnosis in that there is no ionizing radiation involved. The use of ultrasound to create images is based on the reflection and transmission of a wave at a boundary. When an ultrasound wave travels inside an object that is made up of different materials (such as the human body), each time it encounters a boundary (for example, between bone and muscle, or muscle and fat), part of the wave is reflected and part of it is transmitted. The reflected rays are detected and used to construct an image of the object.

図 1 shows the block diagram of an ultrasound imaging system. An ultrasound imaging system has a transmitter section and a linear or pulse transmitter section, which generates excitation pulses for ultrasound transducers of frequencies typically ranging from 1 to 15 MHz of amplitude  $\pm 2.5$  to  $\pm 100$  V. On the transmit (Tx) side, the Tx beamformer determines the delay pattern and pulse train that set the desired transmit focal point. Ultrasound transducers are piezoelectric transducers that undergo mechanical deformation on the application of electrical pulses, which in turn produces an ultrasound waveform. The process is also reversible, and it can convert ultrasound to electrical energy. The reflected signal received transducer is conditioned by the receiver analog front end (AFE). The AFE is usually integrated with a voltage controlled amplifier (VCA), a low-noise amplifier (LNA), PGA, and an analog-to-digital converter (ADC). The AFE produces digitized output that is given to the receive beamformer FPGA and then to the DSP for processing, image forming, and displaying. On the receive (Rx) side, there is a T/R switch, generally a diode bridge, that blocks the high-voltage Tx pulses. This switch is followed by an LNA and one or more variable-gain amplifiers (VGAs), which implement time gain compensation (TGC). Time gain control—which provides increased gain for signals from deeper in the body (and therefore arriving later)—is under operator control and used to maintain image uniformity.

As continuous wave (CW) Doppler has the largest dynamic range of all signals in an ultrasound system—during CW, a sine wave is transmitted continuously with half of the transducer array while the other half is receiving. There is a strong tendency for the Tx signal to leak into the Rx side; there are also strong reflections coming from stationary body parts that are close to the surface. This tends to interfere with examination of, for example, blood flow in a vein deep in the body along with very weak Doppler signals. At its current state, CW Doppler signals cannot be processed through the main imaging (B-mode) and pulsed wave (PW) Doppler (F-mode) path in a digital beamforming system; for this reason, images can be formed as a sequence of analog levels that are delayed with analog delay lines, summed, and converted to digital after summation, indicated as CW Doppler processing. The Rx AFE also integrates CW mixer and a low-noise summer to form a CWD beamformer. LNA output is passed through the CW mixer to demodulate the Doppler frequencies and produce I and Q signals. These I and Q signals from all the channels in the same AFE are summed at a low-noise summer. Sixteen selectable phase delays can be applied to each analog input signal. The most common use of ultrasound, creating images, has industrial and medical applications. Ultrasound systems has different forms or variants available in the market including cart based, portable, or handheld.



Copyright © 2016, Texas Instruments Incorporated

図 1. Ultrasound Imaging System Block Diagram

This reference design is a power supply optimized specifically for providing power to eight 16-channel receive AFE ICs for ultrasound imaging systems. This design uses single-chip DC-DC converter + LDO combo regulators to obtain maximum efficiency by setting the low dropout (LDO) input just above the dropout voltage while taking full advantage of the LDO PSRR and reducing part count. In addition, ultra-low-noise LDOs helps to attain highest resolution possible from A/D conversion, leading to higher image quality. This reference design is capable of switching frequency synchronization with the master and system clock frequency to aid system designers apply simple filtering techniques to remove power supply switching noise on ground loops or use spread-spectrum clocking to reduce EMI. Additionally, the design implements an eFuse IC, providing a simple and flexible means of overcurrent protection.

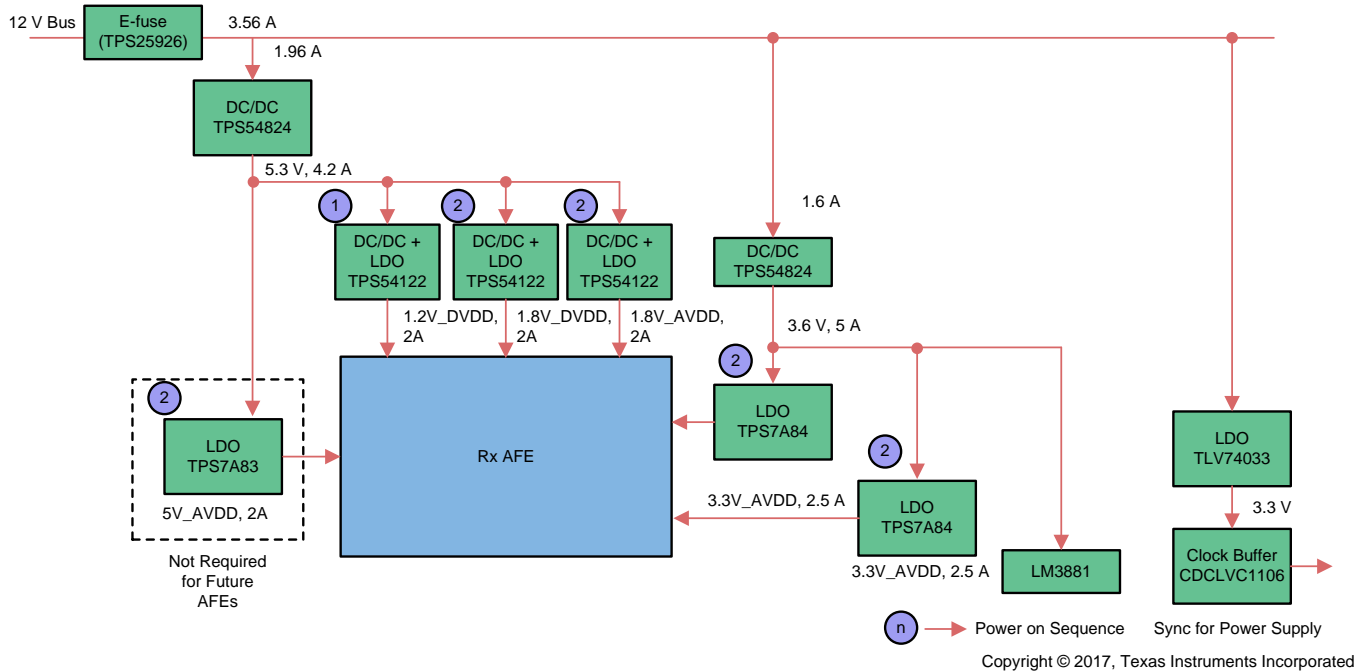
## 1.1 Key System Specifications

表 1. Key System Specifications

PARAMETER	SPECIFICATIONS
Input voltage (V)	12 V
<b>OUTPUT VOLTAGES (V)</b>	
Vout_1, Iout_1	5 V, 2 A
Vout_2, Iout_2	3.3 V, 2.5 A
Vout_3, Iout_3	3.3 V, 2.5 A
Vout_4, Iout_4	1.8 V, 2 A
Vout_5, Iout_5	1.8 V, 2 A
Vout_6, Iout_6	1.2 V, 2 A
<b>LOAD REGULATION</b>	
Vout_1 (5 V)	0.04%
Vout_2 (3.3V_1)	0.091%
Vout_3 (3.3V_2)	0.06%
Vout_4 (1.8V_1)	0.78%
Vout_5 (1.8V_2)	0.723%
Vout_6 (1.2V)	0.90%
<b>OUTPUT VOLTAGE NOISE (dBm)</b>	
Vout_5V	Max -60.04 dBm at 524 kHz
Vout_3V3	Max -73.23 dBm at 524 kHz
Vout_1V8	Max -50.23 dBm at 480 kHz
Vout_1V2	Max -60.47 dBm at 476.2 kHz
Rated output power (W)	36.1 W
Efficiency	91.20%
Protections	The overall power exceeds 50-W eFuse cuts of, this sets a limit of 4.2 A

## 2 System Overview

### 2.1 Block Diagram



☒ 2. TIDA-01466 Block Diagram

### 2.2 Highlighted Products

#### 2.2.1 TPS54122

The TPS54122 device combines the efficiency of a step-down switching (DC-DC) converter with a high power-supply rejection (PSR), low-noise, LDO to provide an ultra-low-noise power supply that delivers QuietSupply™ rails to noise-sensitive applications. The TPS54122 device is ideally suited for systems with 5-V power buses and can support 3-A continuous output current on both the DC-DC or LDO output. The LDO output voltage can be set from 0.8 to 3.6 V and the DC-DC can be adjusted from 0.83 to 5.0 V using external resistors. The TPS54122 device can be used in a wide range of low-noise applications because the DC-DC converter and LDO are completely configurable. In addition, the TPS54122 device includes features such as soft-start, switching frequency synchronization, and a power-good signal. The TPS54122 device can also be configured as a dual-supply rail device, supplying a total of 3 A. The TPS54122 device is available in a space-saving, 3.50-mm×5.50-mm VQFN package, and is specified to operate over a –40°C to 125°C ambient temperature range.

#### 2.2.2 TPS54824

The TPS54824 is a full featured 17-V, 8-A synchronous step-down converter in a 3.5-mm×3.5-mm HotRod™ QFN package. The device is optimized for small solution size through high efficiency and integrating the high-side and low-side MOSFETs. Further space savings are achieved through peak current mode control, which reduces component count, and by selecting a high switching frequency, which reduces the inductor footprint. The peak current mode control simplifies the loop compensation and provides fast transient response. Cycle-by-cycle peak current limiting on the high-side and low-side sourcing current limit protects the device in overload situations. Hiccup limits MOSFET power dissipation if

a short circuit or overloading fault persists. A power good supervisor circuit monitors the regulator output. The PGOOD pin is an open drain output and goes high impedance when the output voltage is in regulation. An internal deglitch time prevents the PGOOD pin from pulling low unless a fault has occurred. A dedicated EN pin can be used to control the regulator on/off and adjust the input undervoltage lockout. The output voltage startup ramp is controlled by the SS/TRK pin, which allows operation as either a standalone power supply or in tracking situations.

### 2.2.3 TPS7A84

The TPS7A84 is a low-noise ( $4.4 \mu\text{V}_{\text{RMS}}$ ) LDO capable of sourcing 3 A with only 180 mV of maximum dropout. The device output voltage is pin-programmable from 0.8 to 3.95 V and adjustable from 0.8 to 5.0 V using an external resistor divider. The combination of low noise ( $4.4 \mu\text{V}_{\text{RMS}}$ ), high PSRR, and high-output current capability makes the TPS7A84 ideal to power noise-sensitive components such as those found in high-speed communications, video, medical, or test and measurement applications. The high performance of the TPS7A84 limits power-supply-generated phase noise and clock jitter, making this device ideal for powering high-performance serializer and deserializer (SerDes), ADCs, digital-to-analog converters (DACs), and RF components. Specifically, RF amplifiers benefit from the high-performance and 5.0-V output capability of the device. For digital loads [such as application-specific integrated circuits (ASICs), field-programmable gate arrays (FPGAs), and digital signal processors (DSPs)] requiring low-input, low-output (LILO) voltage operation, the exceptional accuracy (0.75% over load and temperature), remote sensing, excellent transient performance, and soft-start capabilities of the TPS7A84 ensure optimal system performance. The versatility of the TPS7A84 makes the device a component of choice for many demanding applications.

### 2.2.4 TPS7A83

The TPS7A83A device is a low-noise ( $4.4 \mu\text{V}_{\text{RMS}}$ ) LDO capable of sourcing 2 A with only 200 mV of maximum dropout. The device output voltage is pin-programmable from 0.8 to 3.95 V and adjustable from 0.8 to 5.2 V using an external resistor divider. The combination of low noise ( $4.4 \mu\text{V}_{\text{RMS}}$ ), high PSRR, and high-output current capability makes the TPS7A83A ideal to power noise-sensitive components such as those found in high-speed communications, video, medical, or test and measurement applications. The high performance of the TPS7A83A limits power-supply-generated phase noise and clock jitter, making this device ideal for powering high-performance SerDes, ADCs, DACs, and RF components. Specifically, RF amplifiers benefit from the high-performance and 5.2-V output capability of the device. For digital loads (such as ASICs, FPGAs, and DSPs) requiring LILO voltage operation, the exceptional accuracy (0.75% over load and temperature), remote sensing, excellent transient performance, and soft-start capabilities of the TPS7A83A ensure optimal system performance. The versatility of the TPS7A83A makes the device a component of choice for many demanding applications.

### 2.2.5 LM3881

The LM3881 Simple Power Sequencer offers the easiest method to control the power-up and power-down of multiple power supplies (switching or linear regulators). By staggering the start-up sequence, it is possible to avoid latch conditions or large inrush currents that can affect the reliability of the system. Available in VSSOP-8 package, the Simple Sequencer contains a precision enable pin and three open-drain output flags. When the LM3881 is enabled, the three output flags sequentially release after individual time delays, thus permitting the connected power supplies to start up. The output flags follow a reverse sequence during power down to avoid latch conditions. Time delays are defined using an external capacitor, and the output flag states can be inverted by the user.

### 2.2.6 TLV70433

The TLV704 series of LDO regulators are ultra-low quiescent current devices designed for extremely power-sensitive applications. Quiescent current is virtually constant over the complete load current and ambient temperature range. These devices are an ideal power-management attachment to low-power microcontrollers, such as the MSP430™ MCU. The TLV704 operates over a wide operating input voltage of 2.5 to 24 V. Thus, the device is an excellent choice for both battery-powered systems as well as industrial applications that undergo large line transients. The TLV704 is available in a 3-mm × 3-mm SOT23-5 package, which is ideal for cost-effective board manufacturing.

### 2.2.7 TPS25926

The TPS25925x/TPS25926x family of eFuses is a highly integrated circuit protection and power management solution in a tiny package. The devices use few external components and provide multiple protection modes. They are a robust defense against overloads, shorts circuits, voltage surges, excessive inrush current. Current limit level can be set with a single external resistor and current limit set has a typical accuracy of ±15%. Overvoltage events are limited by internal clamping circuits to a safe fixed maximum with no external components required. TPS25926x devices provide overvoltage protection (OVP) for 12-V systems and TPS25925x devices for 5-V systems. In cases with particular voltage ramp requirements, a dV/dT pin is provided that can be programmed with a single capacitor to ensure proper output ramp rates.

### 2.2.8 CDCLVC1106

The CDCLVC11xx is a modular, high-performance, low-skew, general-purpose clock buffer family from Texas Instruments. The entire family is designed with a modular approach in mind. It is intended to round up TI's series of LVCMOS clock generators. Seven different fan-out variations, 1:2 to 1:12, are available. All of the devices are pin-compatible to each other for easy handling. All family members share the same high performing characteristics such as low additive jitter, low skew, and wide operating temperature range. The CDCLVC11xx supports an asynchronous output enable control (1G) which switches the outputs into a low state when 1G is low. The CDCLVC11xx family operates in a 2.5-V and 3.3-V environment and are characterized for operation from -40°C to 85°C.

## 2.3 System Design Theory

This reference design is a power supply designed for providing power to eight 16-channel receive AFEs of 12-V ultrasound Imaging systems. This design is based on the specifications of the TI Ultrasound AFE, AFE5818. 表 2 shows the specification summary of eight AFE5818 devices for a 128-channel ultrasound system.

表 2. Specification Summary of 8 AFE5818 for 128-Channel System

AFE RAIL	V <sub>IN</sub>	V <sub>OUT</sub>	CURRENT (SINGLE AFE ONLY)	CURRENT (128 CHANNELS, 8 AFEs)	SOLUTION
AVDD_5V	12 V	5 V	0.14 A	1.12 A	Buck + High PSRR LDO
AVDD_3V3	12 V	3.3 V	0.5 A	4 A	Buck + High PSRR LDO
AVDD_1V8	12 V	1.8 V	0.2 A	1.6 A	Buck + DC-DC and LDO
AVDD_1P2	12 V	1.2 V	0.2 A	1.6 A	Buck + DC-DC and LDO



表 2. Specification Summary of 8 AFE5818 for 128-Channel System (continued)

AFE RAIL	V <sub>IN</sub>	V <sub>OUT</sub>	CURRENT (SINGLE AFE ONLY)	CURRENT (128 CHANNELS, 8 AFES)	SOLUTION
AVDD_1P8	12 V	1.8 V	0.15 A	1.2 A	Buck + DC-DC and LDO

This reference design has three low-noise DC-DC converter + LDO combos (TPS54122) to provide 1.2 DVDD, 1.8 DVDD, and 1.8 AVDD for the AFEs, a low-dropout voltage regulator (TPS7A83) to provide 5 AVDD, a high-current, high-accuracy, low-noise LDO voltage regulator (TPS7A84) to provide 3.3 AVDD, and two 8-A synchronous swift step-down converters (TPS54824) to generate the input voltages (5.6 V and 3.6 V) for TPS54122, TPS7A83, and TPS7A84. This reference design also uses a power sequencer with adjustable timing (LM3881) for the power sequencing of AFE5818. A low-jitter 1:6 LVCMOS fan out clock buffer (CDCLVC1106) acts as a clock signal fan out buffer for external clock in sync mode for all the DC-DC converters used on board. A 12-V, accurate adjustable current limit eFuse (TPS25926) provides multiple protections. A 24-V, 150-mA, ultra-low I<sub>Q</sub> LDO regulator (TLV70433) provides power to the clock buffer.

### 2.3.1 5.6-V Generation Using DC-DC Converter

図 3 shows the switching circuit to generate 5.6 V using the TPS54824 from a 12-V input. This 5.6 V is used as input for the LDO TPS7A83 for 5-V generation and input to the DC-DC + LDO combo TPS54122 for 1.8 DVDD, 1.8 AVDD, and 1.2 DVDD generation. The TPS54824 DC-DC is a synchronous buck converter designed to provide up to 4.2 A.

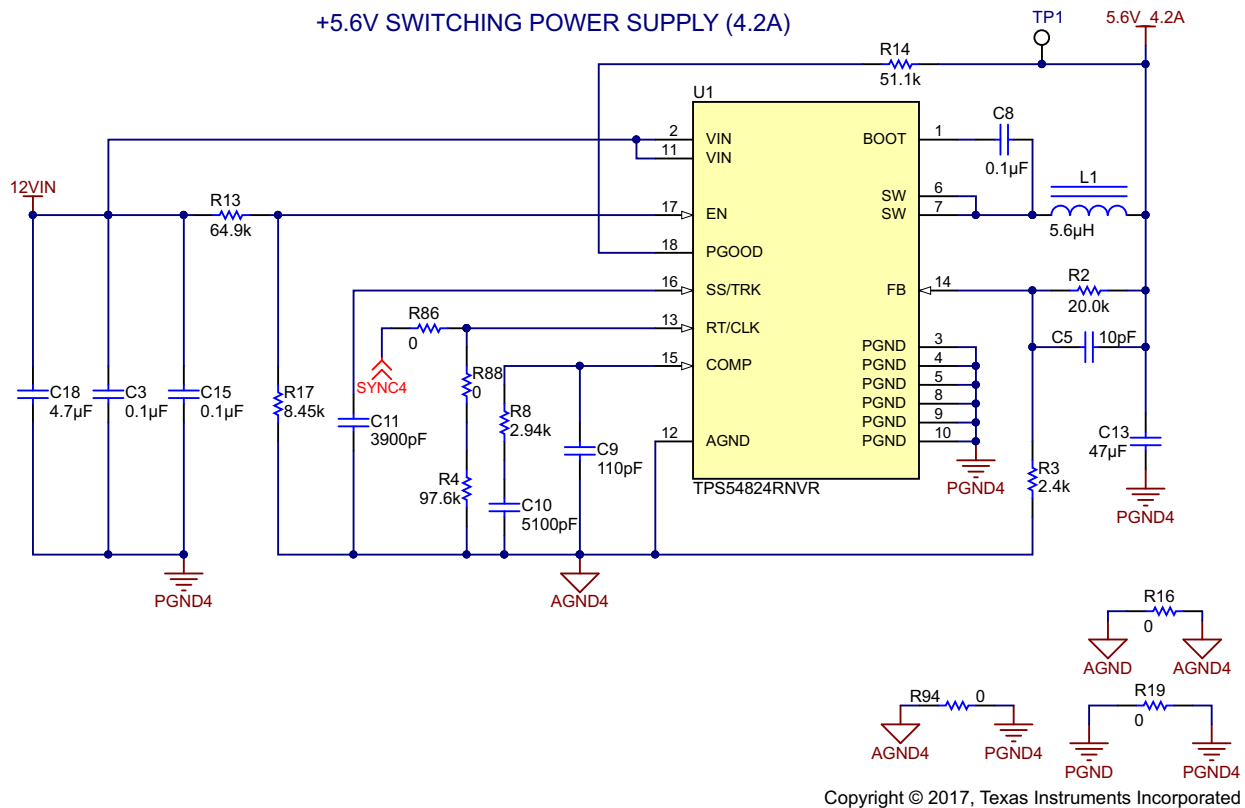


図 3. 5.6-V Generation Using DC-DC Converter

### 2.3.1.1 Voltage Set Point

The output voltage is set by the resistor divider network of R2 and R3, and the reference voltage  $V_{REF}$  is 0.6 V. Output voltage can be calculated using 式 1.

$$R2 = R3 \times \left( \frac{V_{OUT}}{0.6 \text{ V}} - 1 \right) \quad (1)$$

Where:

- R2 = 20 kΩ
- R3 = 2.4 kΩ

Substituting R2 and R3 in 式 1 gives:

$$V_{OUT} = \left( \frac{20 \text{ k}\Omega}{2.4 \text{ k}\Omega} + 1 \right) \times 0.6 \text{ V} = 5.6 \text{ V}$$

### 2.3.1.2 Adjustable Switching Frequency and Synchronization (RT/CLK)

The RT/CLK pin can set the switching frequency of the device in two modes: RT and CLK.

In RT mode, the R4 (R<sub>T</sub>) resistor is connected between the RT/CLK pin and GND. The switching frequency of the device can be adjustable by using a resistor R4 (RT) of value, which ranges from 50 to 150 kΩ based on the inductor rating chosen for the DC-DC converter. To determine the value of the RT resistor for a given switching frequency (F<sub>SW</sub>), use 式 2.

$$F_{SW} \text{ (kHz)} = 43660 \times R_T \text{ (k}\Omega\text{)}^{-0.973} \quad (2)$$

Where:

- R4 = 97.6 kΩ

Substituting R4 in 式 2 gives:

$$F_{SW} \text{ (kHz)} = 43660 \times 97.6^{-0.973} = 506 \text{ kHz}$$

### 2.3.1.3 CLK Mode

In CLK mode, an external clock is connected through the clock buffer (U11) to the RT/CLK pin. The DC-DC converter is synchronized to the external clock frequency with an internal phase-locked loop (PLL) circuit. The DC-DC converter is able to automatically detect the required mode and switch from RT mode to CLK mode. CLK mode overrides RT mode. An internal PLL is implemented to allow synchronization between 200 and 1600 kHz and to easily switch from RT mode to CLK mode. To implement the synchronization feature, connect a square-wave clock signal to the RT/CLK pin with a minimum on-time of at least 35 ns. The clock signal amplitude must transition from lower than 0.8 V and higher than 2 V. The start of the switching cycle is synchronized to the falling edge of the RT/CLK pin.

In this reference design, 0-Ω resistors R86 and R88 are used on board to select between RT/CLK mode. Placing R86 resistor sets external sync and placing R88 sets CLK mode. See the TPS54824 datasheet ([SLVSDC9](#)) for more details.

### 2.3.1.4 Adjustable UVLO

The undervoltage lockout (UVLO) can be adjusted externally using R13 and R17. See the TPS54824 datasheet ([SLVSDC9](#)) for detailed instructions for setting the external UVLO. Additionally, the TPS54824 provides adjustable soft start and a power good output.

See the TPS54824 datasheet ([SLVSDC9](#)) and TPS54824 EVM user's guide ([SLVUAX8](#)) for the detailed design instructions and recommendations. See the Texas Instruments [WEBENCH® Design Center](#) for generating solutions using this part.

### 2.3.2 3.6-V Generation Using DC-DC Converter

Figure 4 shows the switching circuit to generate 3.6 V using TPS54824 from a 12-V input. This 3.6 V is used as input for the two LDOs (TPS7A84) to generate 3.3 V. The TPS54824 DC-DC is a synchronous buck converter designed to provide up to 5 A.

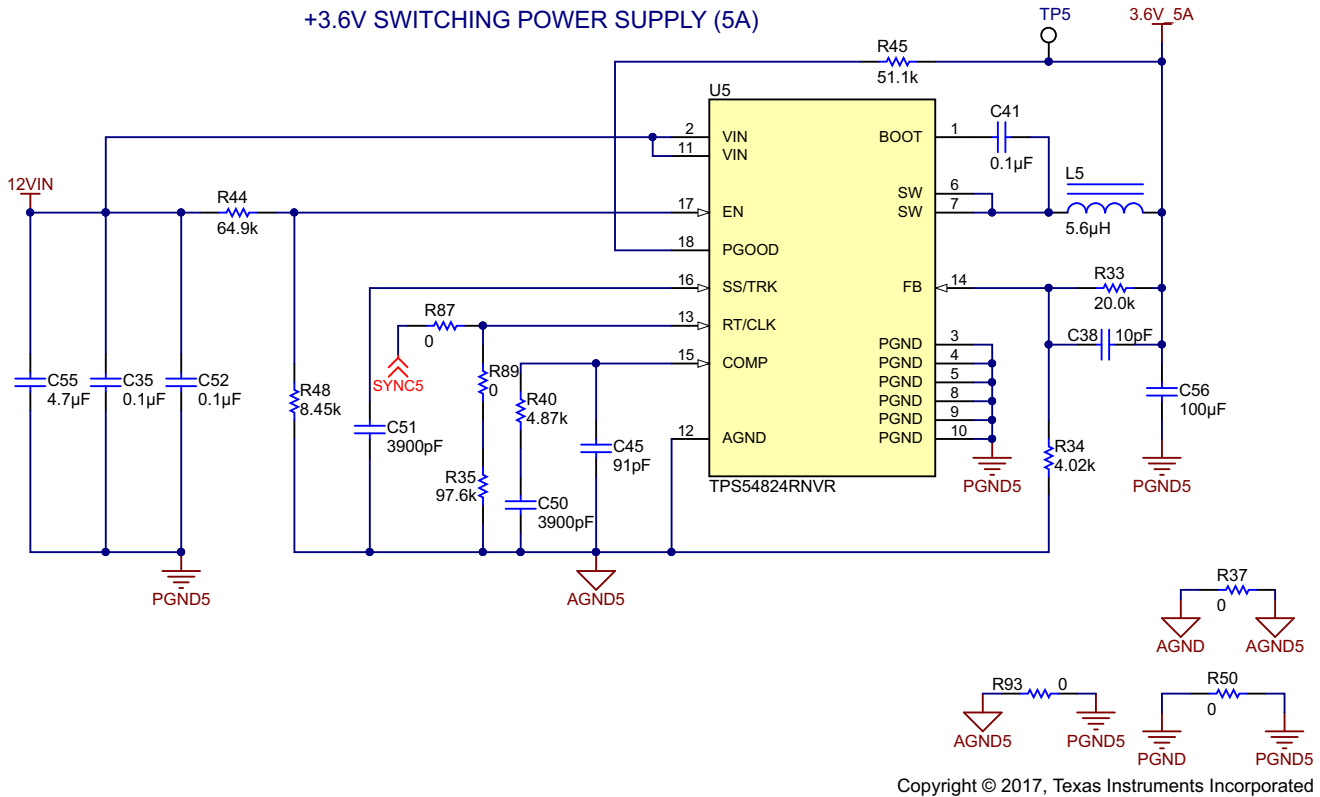


Figure 4. 3.6-V Generation Using DC-DC Converter

#### 2.3.2.1 Voltage Set Point

The output voltage is set by the resistor divider network of R33 and R34 and the reference voltage ( $V_{REF}$ ) is 0.6 V. Output voltage can be calculated using Equation 3.

$$R33 = R34 \times \left( \frac{V_{OUT}}{0.6 \text{ V}} - 1 \right) \tag{3}$$

Where:

- R33 = 20 kΩ
- R34 = 4.02 kΩ

Substituting R33 and R34 in Equation 3 gives:

$$V_{OUT} = \left( \frac{20 \text{ k}\Omega}{4.02 \text{ k}\Omega} + 1 \right) \times 0.6 \text{ V} = 3.6 \text{ V}$$

### 2.3.2.2 Adjustable Switching Frequency and Synchronization (RT/CLK)

The RT/CLK pin can set the switching frequency of the device in two modes: RT and CLK.

In RT mode, the R35 (RT) resistor is connected between the RT/CLK pin and GND. The switching frequency of the device can be adjustable by using a resistor R35 (RT) of value, which ranges from 50 to 150 k $\Omega$  based on the inductor rating chosen for the DC-DC converter. To determine the value of the RT resistor for a given switching frequency ( $F_{SW}$ ), use 式 4.

$$F_{SW} \text{ (kHz)} = 43660 \times R_T \text{ (k}\Omega\text{)}^{-0.973} \quad (4)$$

Where:

- R35 = 97.6 k $\Omega$

Substituting  $F_{SW}$  in 式 4 gives:

$$F_{SW} \text{ (kHz)} = 43660 \times 97.6^{-0.973} = 506 \text{ kHz}$$

### 2.3.2.3 CLK Mode

See 2.3.1 for CLK mode operation using the TPS54824.

In this reference design, 0- $\Omega$  resistors R87 and R89 are used on board to select between RT/CLK mode. Placing an R87 resistor sets external sync, and placing R89 sets CLK mode. See the TPS54824 datasheet ([SLVSDC9](#)) for more details

### 2.3.2.4 Adjustable UVLO

The UVLO can be adjusted externally using R44 and R48. See the TPS54824 datasheet ([SLVSDC9](#)) for detailed instructions for setting the external UVLO. Additionally, the TPS54824 provides adjustable soft start and a power good output.

See the TPS54824 datasheet and TPS54824 EVM user's guide ([SLVUAX8](#)) for the detailed design instructions and recommendations. See the Texas Instruments [WEBENCH Design Center](#) for generating solutions using this part.

## 2.3.3 1.2-V and 1.8-V Generation Using DC-DC Converter + LDO

図 5 shows the TPS54122 DC-DC + LDO combo circuit to generate 1.2 DVDD from a 5.6-V input. The TPS54122 is designed to provide up to 2 A. With the TPS54122's flexibility of having a DC-DC converter and an LDO in a single device, it is possible to obtain maximum LDO efficiency by setting LDO input just above the dropout voltage. This demonstrates the printed circuit board (PCB) space saving compared to standalone switcher and LDO topologies. The TPS54122 device combines the efficiency of a step-down switching (DC-DC) converter with a high power-supply rejection (PSR), low-noise, LDO to provide an ultra-low-noise power supply that delivers quiet supply rails. LDO is kept 0.5 V for good PSRR with a DC-DC converter output of 1.7 V.

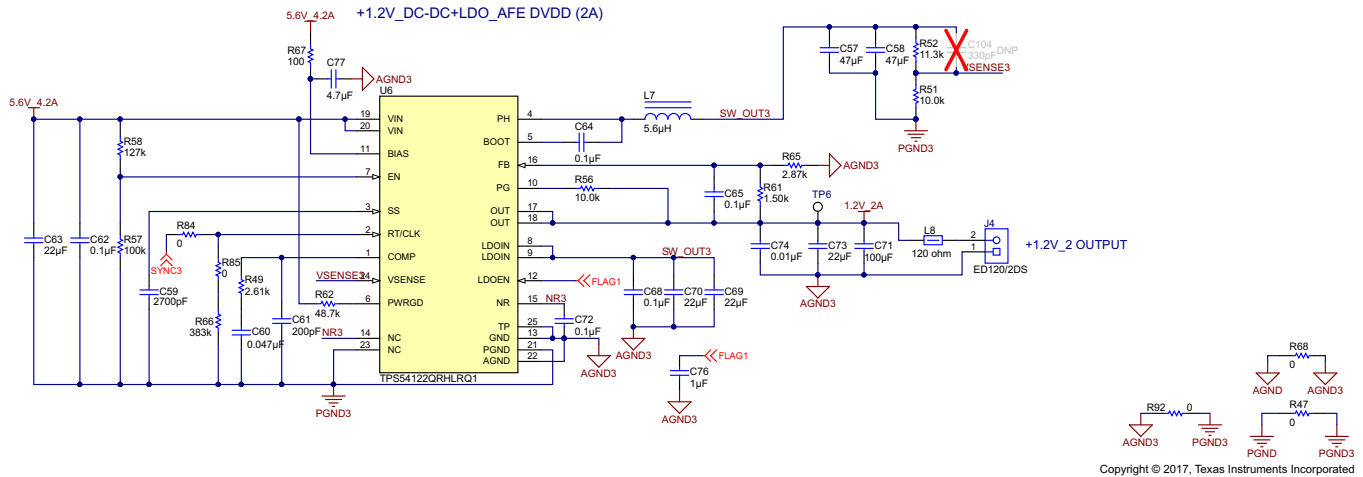


図 5. 1.2-V Generation Using TPS54122

### 2.3.3.1 DC-DC Converter Output Voltage Set Point

The switcher output voltage can be set using 式 5.

$$R52 = R51 \times \left( \frac{V_{OUT}}{V_{REF}} - 1 \right) \tag{5}$$

Where:

- R52 = 11.3 kΩ
- R51 = 10 kΩ
- V<sub>REF</sub> = 0.827 V

Substituting R52, R51, and V<sub>REF</sub> in 式 5 gives:

$$V_{OUT} = \left( \frac{11.3 \text{ k}\Omega}{10 \text{ k}\Omega} + 1 \right) \times 0.827 \text{ V} = 1.76 \text{ V}$$

### 2.3.3.2 LDO Output Voltage Set Point

The LDO output voltage can be set using 式 6.

$$R61 = R65 \times \left( \frac{V_{OUT}}{V_{REF}} - 1 \right) \tag{6}$$

Where:

- R61 = 1.5 kΩ
- R65 = 2.87 kΩ
- V<sub>REF</sub> = 0.8 V

Substituting R61, R65, and V<sub>REF</sub> in 式 6 gives:

$$V_{OUT} = \left( \frac{1.5 \text{ k}\Omega}{2.87 \text{ k}\Omega} + 1 \right) \times 0.8 \text{ V} = 1.218 \text{ V}$$

### 2.3.3.3 Adjustable Switching Frequency and Synchronization (RT/CLK)

In RT mode, the R66 (RT) resistor is connected between the RT/CLK pin and GND. The switching frequency of the device can be adjustable by using a resistor R66 (RT) of value, which ranges from 350 to 450 kΩ based on the inductor rating chosen for the DC-DC converter. To determine the value of the RT resistor for a given switching frequency ( $F_{sw}$ ), use 式 7.

$$R_T \text{ (k}\Omega\text{)} = 311890 \times F_{sw} \text{ (kHz)}^{-1.0793} \quad (7)$$

Where:

- $R_T = R66 = 383 \text{ k}\Omega$

Substituting  $R_T = 383 \text{ k}\Omega$  in 式 7 gives  $F_{sw} = 500 \text{ kHz}$ .

### 2.3.3.4 CLK Mode

In CLK mode, an external clock is connected through the clock buffer (U11) to the RT/CLK pin. The DC-DC converter is synchronized to the external clock frequency with an internal phase-locked loop (PLL) circuit. The DC-DC converter is able to automatically detect the required mode and switch from RT mode to CLK mode. CLK mode overrides RT mode. An internal PLL is implemented to allow synchronization between 300 kHz and 2 MHz and to easily switch from RT mode to CLK mode. To implement the synchronization feature, connect a square-wave clock signal to the RT/CLK pin with a minimum on-time of at least 75 ns. The clock signal amplitude must transition to less than 0.6 V and to greater than 1.6 V. The PH rising edge is synchronized to the RT/CLK pin falling edge. In applications where the RT mode and CLK mode are required, the device can be configured to have an RT resistor and an external clock connected at the same time to the RT/CLK pin. If no external clock is present, the device functions in RT mode and the switching frequency is set by the R66 (RT) resistor.

The EN pin of the 1.2-V LDO is connected to the output (Flag1) of LM3881 as per the sequencing requirement of AFE5818 mentioned in 2.3.6.

In this reference design, 0-Ω resistors R84 and R85 are used on board to select between RT/CLK mode. Placing an R84 resistor sets external sync and placing R85 sets CLK mode.

### 2.3.3.5 Soft-Start of DC-DC Converter

The rate at which the output voltage of the switcher rises up to the full operational level during the start-up phase is controlled through the SS pin. The  $C_{SS}$  capacitor is connected between the SS pin and ground. The size of the capacitor determines the soft-start ramp-up time ( $t_{ss}$ , 10% to 90%), as shown in 式 8.

$$t_{ss} \text{ (ms)} = \frac{(C_{SS} \text{ (nF)} \times V_{REF} \text{ (V)})}{I_{SS} \text{ (}\mu\text{A)}} \quad (8)$$

Where:

- $V_{REF} \text{ (V)} = 0.827 \text{ V}$
- $C_{SS} \text{ (nF)} = 2.7 \text{ nF}$
- $I_{SS} \text{ (}\mu\text{A)} = 2.2 \text{ }\mu\text{A}$

Substituting  $V_{REF} \text{ (V)}$ ,  $C_{SS} \text{ (nF)}$ , and  $I_{SS} \text{ (}\mu\text{A)}$  in 式 8 gives:

$$t_{ss} = \frac{(2.7 \times 0.827)}{2.2} = 1.01 \text{ ms}$$

The device has an internal pullup current source ( $I_{SS}$ ) of 2.2  $\mu\text{A}$  that charges the external soft-start capacitor,  $C_{SS}$ . The voltage reference,  $V_{REF}$ , for this device is 0.827 V. By sourcing a constant current onto the capacitor, the device linearly ramps up the voltage on the SS pin that corresponds to the voltage on the FB pin, and thus, the output voltage of the switcher. When the voltage on the SS pin exceeds the value of the internal reference, the device starts regulating to the internal reference value. If the input UVLO is triggered (or the EN pin is pulled below 1.21 V or a thermal shutdown event occurs), then the device stops switching and enters low-current operation. At the subsequent power-up when the shutdown condition is removed, the DC-DC does not start switching until the SS pin is discharged to ground, ensuring proper soft-start behavior.

### 2.3.3.6 NR Soft-Start Time and LDO Start-Up

The primary purpose of the NR capacitor is to filter the noise from the LDO band gap and thereby reduce the LDO output noise. However, the NR capacitor affects the start-up time of the LDO. The TPS54122 device has a soft-start circuit to charge CNR at a controlled rate for a monotonic soft-start. The controlled voltage ramp of the output reduces peak inrush current during start-up.

The soft-start ramp time depends on the soft-start charging current ( $I_{NR}$ ), the external noise-reduction capacitor (CNR), and the internal voltage reference of the LDO and can be calculated as shown in 式 9.

$$t_{SS} \text{ (ms)} = 1096 \times \text{CNR} \text{ (}\mu\text{F)} \tag{9}$$

Where:

- CNR ( $\mu\text{F}$ ) = 0.1  $\mu\text{F}$

Substituting CNR ( $\mu\text{F}$ ) in 式 9 gives:

$$t_{SS} \text{ (ms)} = 1096 \times 0.1 \mu\text{F} = 109.6 \text{ ms}$$

In this reference design, the delay between 1.2 V and all other rails (1.8 AVDD, 1.8 DVDD, 5 AVDD, 3.3 AVDD) is set as 50 ms by choosing the Tadj capacitor (C75) as 47 nF. The LM3881 is powered using the 3.6-V TPS7A84 LDO. Keep the delay sufficiently large such that the tolerances of the capacitors do not make the second voltage override the first due to the soft start.

See the TPS54122 datasheet ([SLVSDC9](#)) and TPS54122 EVM user's guide ([SLVUAX8](#)) for the detailed design instructions and recommendations. See the Texas Instruments [WEBENCH Design Center](#) for generating solution using this part. The DC-DC converter equivalent part for the TPS54122 is the TPS54319, which can be used in webench for simulation.

Both the switcher and the LDO have independent protection and control features such as internal current limit, thermal shutdown, power good signal, and enable circuitry.

図 6 shows the TPS54122 DC-DC + LDO combo circuit to generate 1.8 DVDD/1.8 AVDD from a 5.6-V input. The TPS54122 is designed to provide up to 2 A. With the TPS54122's flexibility of having a DC-DC converter and LDO in a single device, it is possible to obtain maximum LDO efficiency by setting LDO input just above dropout voltage. This demonstrates the PCB space saving compared to standalone switcher and LDO topologies. The TPS54122 device combines the efficiency of a step-down switching (DC-DC) converter with a high PSR, low-noise LDO to provide an ultra-low-noise power supply that delivers quiet supply rails. The LDO is kept 0.5 V for good PSRR with a DC-DC converter output of 2.3 V.



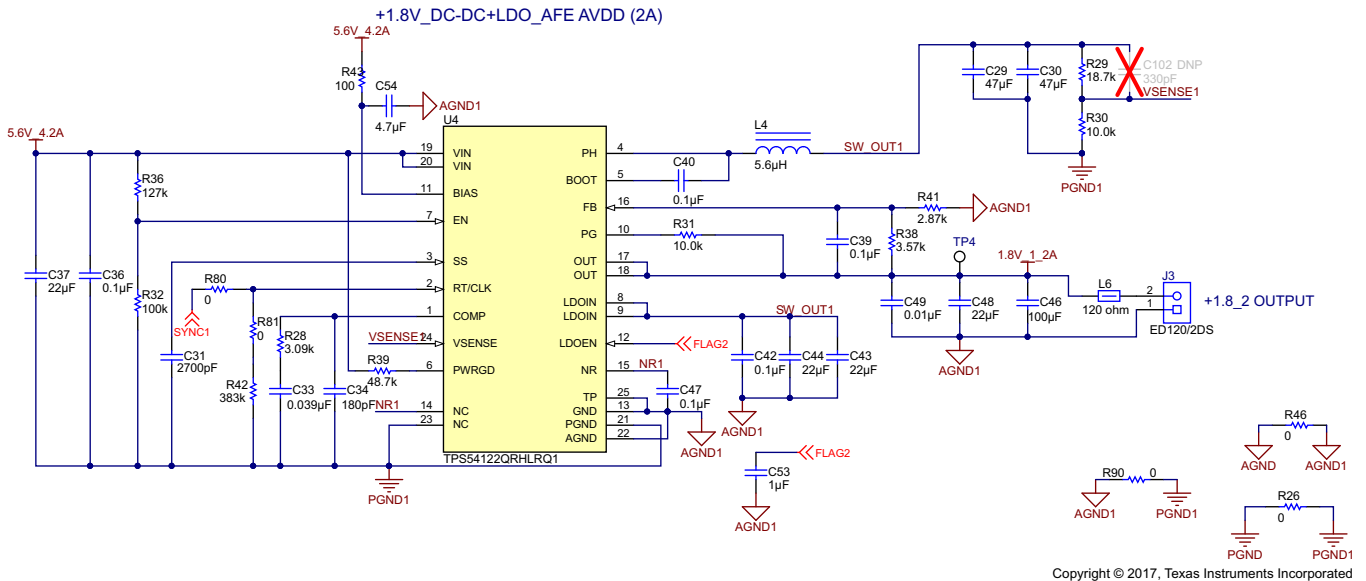


図 6. 1.8-V Generation Using TPS54122

### 2.3.3.7 DC-DC Converter Output Voltage Set Point

The switcher output voltage can be set using 式 10:

$$R29 = R30 \times \left( \frac{V_{OUT}}{V_{REF}} - 1 \right) \quad (10)$$

Where:

- R29 = 18.7 kΩ
- R30 = 10 kΩ
- $V_{REF} = 0.827$  V

Substituting R29, R30, and  $V_{REF}$  in 式 10 gives:

$$V_{OUT} = (18.7 / 10 + 1) \times 0.827 = 2.37 \text{ V} \quad V_{OUT} = \left( \frac{18.7}{10} + 1 \right) \times 0.827 \text{ V} = 2.37 \text{ V}$$

### 2.3.3.8 LDO Output Voltage Set Point

The LDO output voltage can be set using 式 11:

$$R38 = R41 \times \left( \frac{V_{OUT}}{V_{REF}} - 1 \right) \quad (11)$$

Where:

- R38 = 3.57 kΩ
- R41 = 2.87 kΩ
- $V_{REF} = 0.8$  V

Substituting R38, R41, and  $V_{REF}$  in 式 11 gives:

$$V_{OUT} = \left( \frac{3.57 \text{ k}\Omega}{2.87 \text{ k}\Omega} + 1 \right) \times 0.8 = 1.79$$

### 2.3.3.9 Adjustable Switching Frequency and Synchronization (RT/CLK)

In RT mode, the R42 (RT) resistor is connected between the RT/CLK pin and GND. The switching frequency of the device can be adjustable by using a resistor R42 (RT) of value, which ranges from 350 to 450 kΩ based on the inductor rating chosen for the DC-DC converter. To determine the value of the RT resistor for a given switching frequency ( $F_{sw}$ ), use 式 12.

$$R_T \text{ (kHz)} = 311890 \times F_{sw} \text{ (kHz)}^{-1.0793} \quad (12)$$

Where:

- $R_T = R42 = 383 \text{ k}\Omega$

Substituting  $R_T = 383 \text{ k}\Omega$  in 式 12 gives  $F_{sw} = 500 \text{ kHz}$ .

### 2.3.3.10 CLK Mode

In CLK mode, an external clock is connected through the clock buffer (U11) to the RT/CLK pin. The DC-DC converter is synchronized to the external clock frequency with an internal phase-locked loop (PLL) circuit. The DC-DC converter is able to automatically detect the required mode and switch from RT mode to CLK mode. CLK mode overrides RT mode. An internal PLL is implemented to allow synchronization between 300 kHz and 2 MHz and to easily switch from RT mode to CLK mode. To implement the synchronization feature, connect a square-wave clock signal to the RT/CLK pin with a minimum on-time of at least 75 ns. The clock signal amplitude must transition to less than 0.6 V and to greater than 1.6 V. The PH rising edge is synchronized to the RT/CLK pin falling edge. In applications where the RT mode and CLK mode are required, the device can be configured to have an RT resistor and an external clock connected at the same time to the RT/CLK pin. If no external clock is present, the device functions in RT mode and the switching frequency is set by the R42 (RT) resistor.

The EN pin of the 1.8-V LDO is connected to the output (Flag2) of LM3881 as per the sequencing requirement of AFE5818 mentioned in 2.3.6.

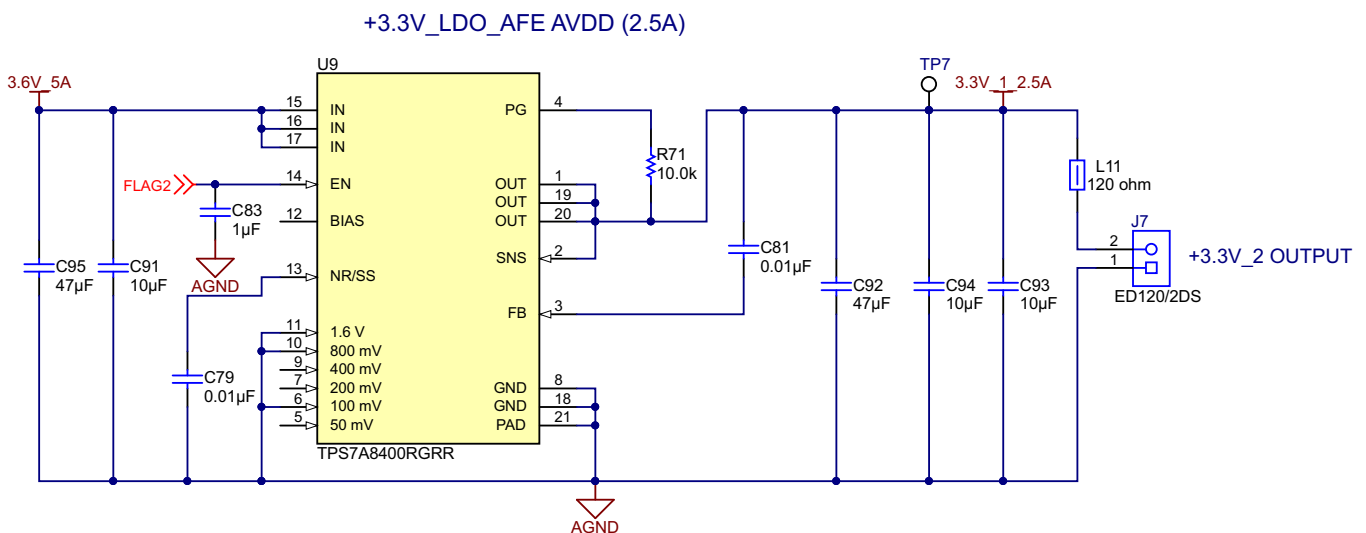
In this reference design, 0-Ω resistors R80 and R81 are used on board to select between RT/CLK mode. Placing R80 resistor sets external sync and placing R81 sets CLK mode

Both the switcher and the LDO have independent protection and control features such as soft start, internal current limit, thermal shutdown, power good signal, and enable circuitry.

See the TPS54122 datasheet (SLVSDC9) and TPS54122 EVM user's guide (SLVUAX8) for the detailed design instructions and recommendations. See the Texas Instruments WEBENCH Design Center for generating solution using this part. The DC-DC converter equivalent part for TPS54122 is TPS54319, which can be used in webench for simulation.

### 2.3.4 3.3-V Generation Using LDO

Figure 7 shows the LDO circuit to generate 3.3 V from a 3.6-V input using the TPS7A84. Two such circuits are used to provide the total 5-A requirement of eight AFEs. To have an optimal PSRR, 0.3-V LDO is set for the TPS7A83.



Copyright © 2017, Texas Instruments Incorporated

Figure 7. 3.3-V Generation Using TPS7A84

### 2.3.4.1 Output Voltage Set

The TPS7A84 can use either external resistors or the internally-matched ANY-OUT feedback resistor network to set output voltage. The ANY-OUT resistors are accessible through pin 2 and pins 5 to 11 and are used to program the regulated output voltage. Each pin is can be connected to ground (active) or left open (floating), or connected to SNS. ANY-OUT programming is set by 式 13 as the sum of the internal reference voltage ( $V_{NR} / SS = 0.8 \text{ V}$ ) plus the accumulated sum of the respective voltages assigned to each active pin. In this reference design 1.6 V (pin 11), 800 mV (pin 10), 100 mV (pin 6) plus  $V_{REF}$  of 0.8 V gives a 3.3-V output; the voltages at each pin are 50 mV (pin 5), 100 mV (pin 6), 200 mV (pin 7), 400 mV (pin 9), 800 mV (pin 10), or 1.6 V (pin 11). 表 3 summarizes these voltage values associated with each active pin setting for reference. By leaving all program pins open, or floating, the output is thereby programmed to the minimum possible output voltage equal to  $V_{REF}$ .

$$V_{OUT} = V_{REF} + (\epsilon \text{ ANY OUT Pins to Ground}) \tag{13}$$

表 3. ANY OUT Programmable Output Voltage

PIN	VALUE
Pin 5	50 mV
Pin 6	100 mV
Pin 7	200 mV
Pin 9	400 mV
Pin 10	800 mV
Pin 11	1.6 V

There are several alternative ways to set the output voltage. The program pins can be driven using external general-purpose input/output pins (GPIOs), manually connected to ground using 0-Ω resistors (or left open), or hardwired by the given layout of the PCB to set the ANY-OUT voltage. Using the ANY-OUT network allows the TPS7A8300 to be programmed from 0.8 to 3.95 V. The EN pin of the 3.3-V LDO is connected to the output (Flag2) of the LM3881 as per the sequencing requirement of the AFE5818 mentioned in 2.3.6.

See the TPS7A84 datasheet ([SBVS233](#)) and TPS7A84 EVM ([SBVU028](#)) for detailed design instructions and recommendations. See the Texas Instruments [WEBENCH Design Center](#) for generating solution using this part.

### 2.3.5 5-V Generation Using LDO

図 8 shows the LDO circuit to generate 5 V from a 5.6-V input using the TPS7A83. To have an optimal PSRR, 0.6-V LDO is set for the TPS7A83.

#### 2.3.5.1 Output Voltage Set

The TPS7A8300 can be used either with the internal ANY-OUT network or using external resistors. Using the ANY-OUT network allows the TPS7A8300 to be programmed from 0.8 to 3.95 V. To extend this range of output voltage operation to 5.0 V, external resistors must be used. 式 14 shows how to set the output voltage in adjustable output operation.

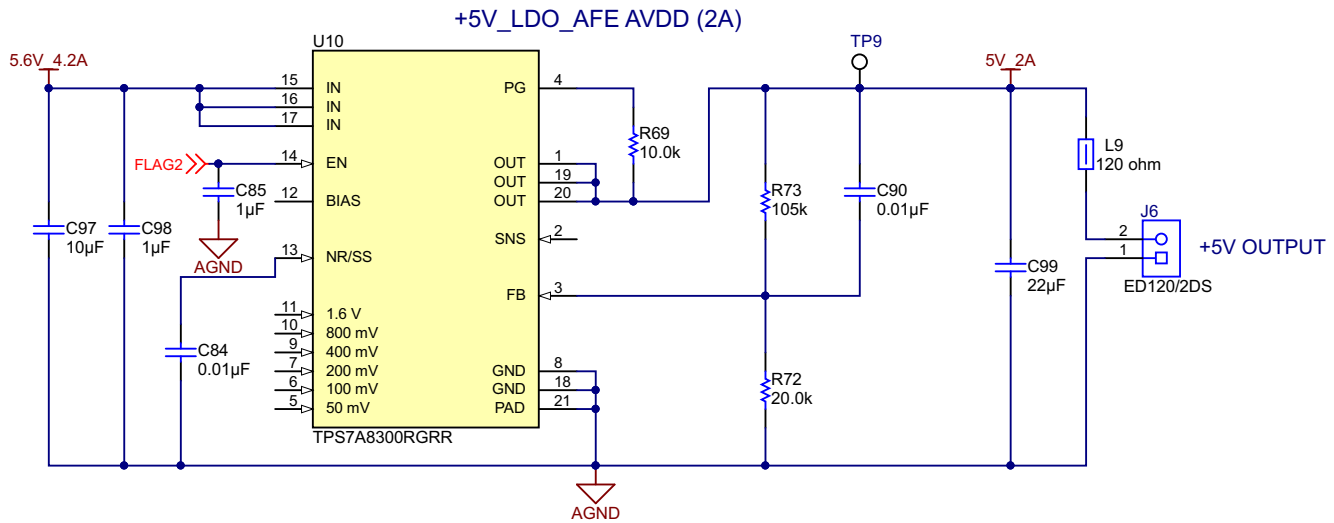
$$R73 = R72 \times \left( \frac{V_{OUT}}{V_{REF}} - 1 \right) \tag{14}$$

Where:

- $V_{REF} = 0.8 \text{ V}$

- R73 = 105 kΩ
- R72 = 20 kΩ

Substituting  $V_{REF}$ , R73, and R72 in 式 14 gives  $V_{OUT} = 5 V$ . The EN pin of the 5-V LDO is connected to the output (Flag2) of the LM3881 as per the sequencing requirement of the AFE5818 mentioned in 2.3.6.



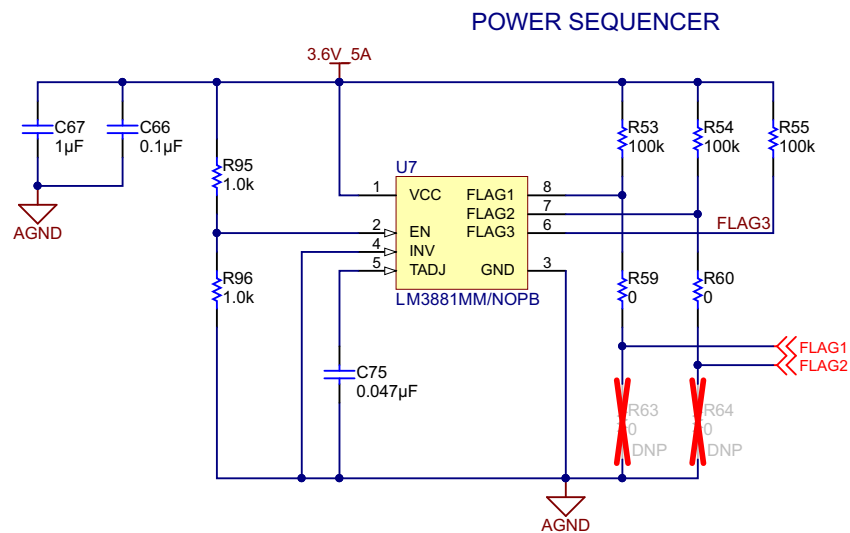
Copyright © 2017, Texas Instruments Incorporated

図 8. 5-V Generation Using TPS7A83

See the TPS7A83 datasheet (SBVS197) and TPS7A83 EVM (SLVU919) for detailed design instructions and recommendations. See the Texas Instruments WEBENCH Design Center for generating solution using this part.

### 2.3.6 Power Sequencer and 3.3-V Generation for Power Sequencer

図 9 shows the power sequencing circuit for the power supplies of this reference design using the LM3881.

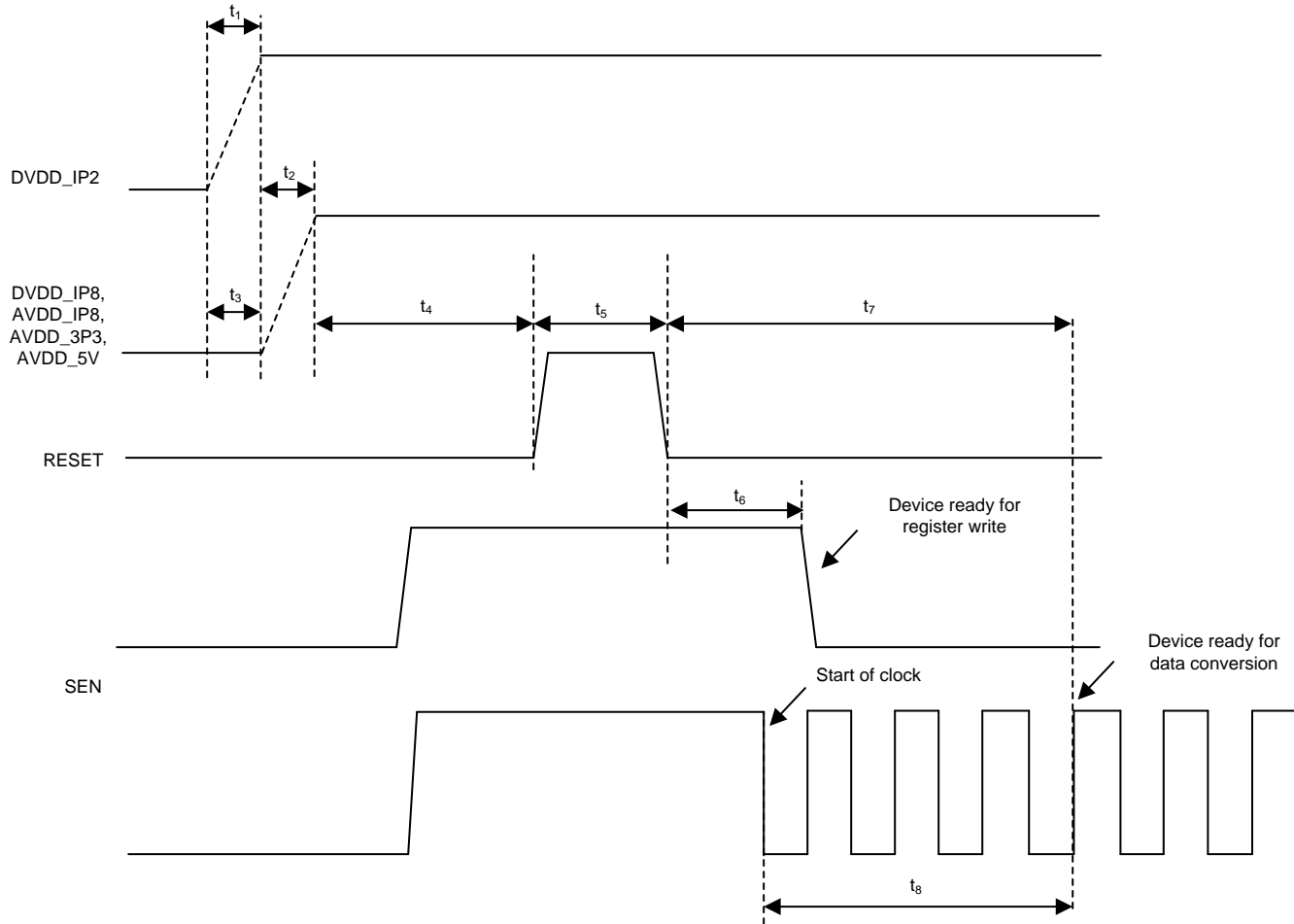


Copyright © 2017, Texas Instruments Incorporated

図 9. Power Sequencing Circuit

The requirements for power sequencing the AFE5818 is as shown in [Figure 10](#):

- The DVDD\_1.2V supply must rise before the AVDD\_1.8V supply.
- If the AVDD\_1.8V supply rises before the DVDD\_1.2V supply, the AVDD\_1.8V supply current is 8 to 12 times larger than the normal current until the DVDD\_1.2V supply reaches a 1.2-V level.



Note:  $10 \mu\text{s} < t_1 < 50 \text{ ms}$ ,  $10 \mu\text{s} < t_2 < 50 \text{ ms}$ ,  $t_3 > t_1$ ,  $t_4 > 10 \text{ ms}$ ,  $t_5 > 100 \text{ ns}$ ,  $t_6 > 100 \text{ ns}$ ,  $t_7 > 4$  ADC clock cycles, and  $t_8 > 100 \mu\text{s}$

**Figure 10. Power Sequencing of AFE5818**

In this reference design, the delay between 1.2 V and all other rails (1.8 AVDD, 1.8 DVDD, 5 AVDD, 3.3 AVDD) is set as 50 ms by choosing the Tadj capacitor (C75) as 47 nF. The LM3881 is powered using a 3.6-V TPS7A84 LDO. Keep the delay sufficiently large such that the tolerances of the capacitors do not make the second voltage override the first due to the soft start. See the LM3881 datasheet ([SNVS555](#)) and LM3881 EVM ([SNVA322](#)) for design details. See the Texas Instruments [WEBENCH Design Center](#) for generating solution using this part.

### 2.3.7 Clock Buffer and 3.3-V Generation

Figure 11 shows the clock signal fan out buffer using the CDCLVC1106, a 1:6, 3.3-V LVCMOS, high-performance, low-skew, general purpose clock buffer that supports frequencies up to 180 MHz. In an ultrasound system, the switching frequencies are in the range of 100 to 500 kHz, hence the CDCLVC1106 is selected for this reference design. It is recommended to place 15-Ω series resistors close to the driver to minimize signal reflection.

See the CDCLVC1106 datasheet (SCAS895) and CDCLVC1106 EVM (SCAU041) for detailed information.

Figure 12 shows the circuit to generate the 3.3-V supply for the CDCLVC1106 using the LDO TLV70433.

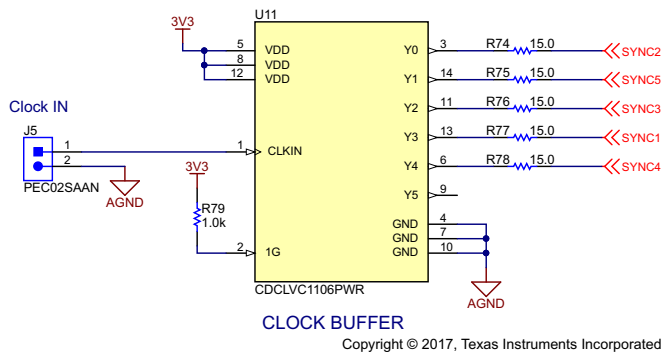


Figure 11. Clock Signal Fan Out Buffer

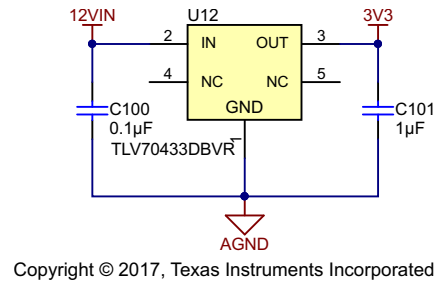


Figure 12. 3.3-V Generation

See the TLV70433 datasheet (SBVS148) for more details.

### 2.3.8 eFUSE

Figure 13 shows the eFuse circuit for this reference design using the TPS259260, a 12-V eFuse protection switch.

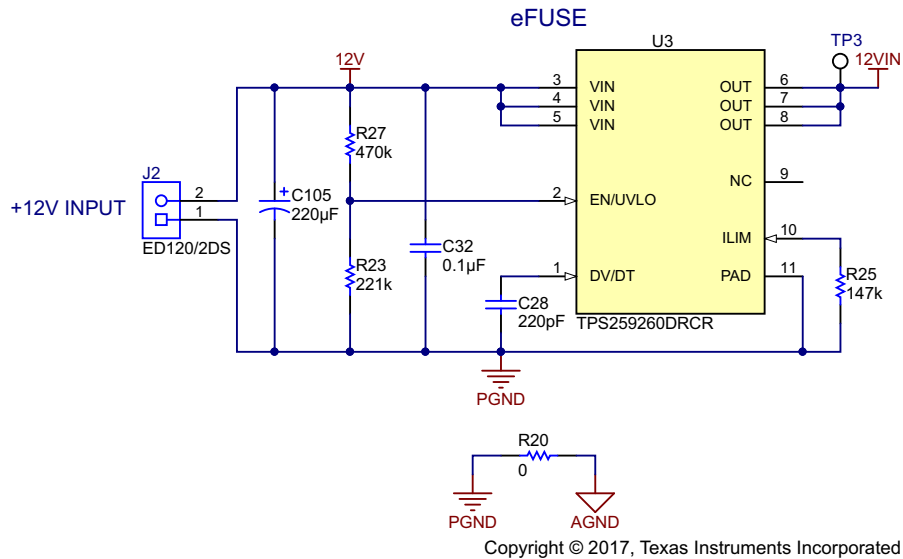


Figure 13. eFUSE Circuit for TIDA-01466

### 2.3.8.1 ILIM

The device continuously monitors the load current and keeps it limited to the value programmed by  $R_{ILIM}$ . After start-up event and during normal operation, current limit is set to  $I_{OL}$  (overload current limit). ILIM can be calculated using 式 15:

$$I_{OL} = 0.7 + 3 \times 10^{-5} (R_{ILIM}) \quad (15)$$

Where:

- $R_{ILIM} = 147 \text{ k}\Omega$

Substituting  $R_{ILIM}$  in 式 15 gives  $I_{OL} = 4.2 \text{ A}$ .

### 2.3.8.2 UVLO Set Point

The UVLO trip point is adjusted using the external voltage divider network of R27 and R23 as connected between IN, EN/UVLO, and GND pins of the device. UVLO can be calculated using 式 16:

$$V_{UR} = \frac{R27 + R23}{R23} \times V_{ENR} \quad (16)$$

Where:

- $V_{ENR} = 1.4 \text{ V}$
- $R27 = 470 \text{ k}\Omega$
- $R23 = 221 \text{ k}\Omega$

Substituting  $V_{ENR}$ , R27, and R23 in 式 16 gives  $V_{UR} = 4.37 \text{ V}$ .

### 2.3.8.3 Setting Output Voltage Ramp Time ( $T_{dV/dT}$ )

The total ramp time ( $T_{dV/dT}$ ) for 0 to  $V_{IN}$  can be calculated using 式 17:

$$T_{dV/dT} = 10^{16} \times V_{IN} \times (C_{dV/dT} + 70 \text{ pF}) \quad (17)$$

Where:

- $V_{IN} = 12 \text{ V}$
- $C_{dV/dT} = C28 = 220 \text{ pF}$

Substituting  $V_{IN}$ ,  $C_{dV/dT}$  in 式 17 gives  $T_{dV/dT} = 3.26 \text{ ms}$ .

### 2.3.8.4 Inrush Current ( $I_{INRUSH}$ ) Setting

Inrush current can be set using 式 18:

$$I_{INRUSH} = \frac{C_{OUT} \times V_{IN}}{T_{dV/dT}} \quad (18)$$

Where:

- $C_{OUT} = 100 \text{ }\mu\text{F}$  (total output capacitance)
- $V_{IN} = 12 \text{ V}$
- $T_{dV/dT} = 3.26 \text{ ms}$

Substituting  $C_{OUT}$ ,  $V_{IN}$ , and  $T_{dV/dT}$  in 式 18 gives  $I_{INRUSH} = 0.37 \text{ A}$ . See the TPS259260 datasheet (SLVSCQ3) and design calculator for more details.



### 3 Hardware, Testing Requirements, and Test Results

#### 3.1 Required Hardware

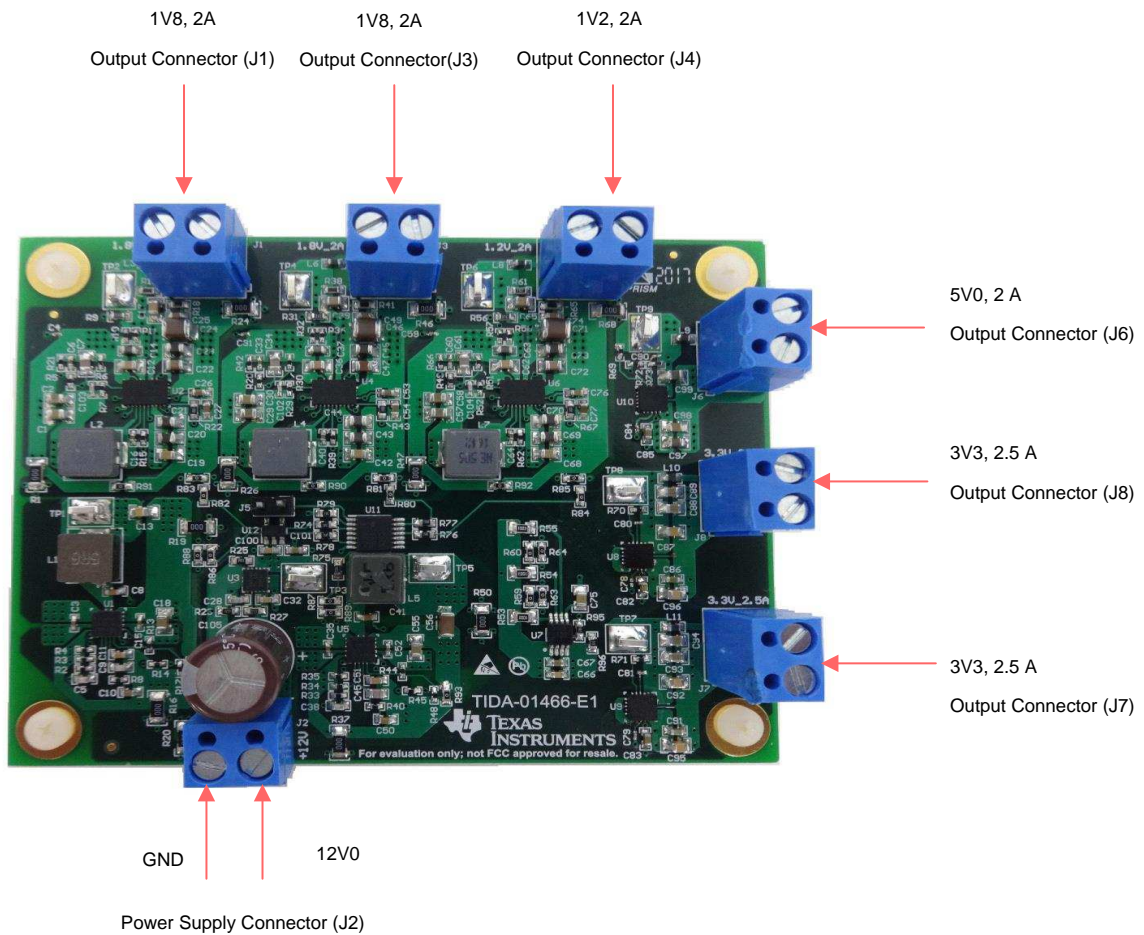


図 14. TIDA-01466 PCB Connectors

表 4. TIDA-01466 Connector Description

SIGNAL	CONNECTOR	FUNCTION
+12V Input	J2	This pin is used to connect the input power supply. Set power supply to 12 V with a 5-A current limit.
Clock IN	J5	Clock IN for sync mode operation
+1.8V_1 Output	J1	1.8-V_1, 2-A output connector
+1.8V_2 Output	J3	1.8-V_2, 2-A output connector
+1.2V_2 Output	J4	1.2-V, 2-A output connector
+3.3V_1 Output	J8	3.3-V_1, 2.5-A output connector
+3.3V_2 Output	J7	3.3-V_2, 2.5-A output connector
+5V Output	J6	5-V, 2-A output connector

## 3.2 Testing and Results

### 3.2.1 Test Setup

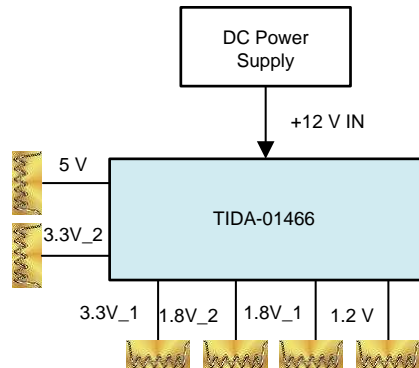


図 15. TIDA-01466 Test Setup

図 15 shows the test setup of the reference design for load test and ripple measurement. The following tests are conducted to evaluate the reference design using this test setup.

#### 3.2.1.1 Load Regulation

In this test, heater filaments are used as load resistors for each output, and output voltages are observed under no load and full load conditions. Load regulation is calculated as per 式 19, and 表 5 shows the value of the resistors used for each voltage output. See 3.2.2 for test results.

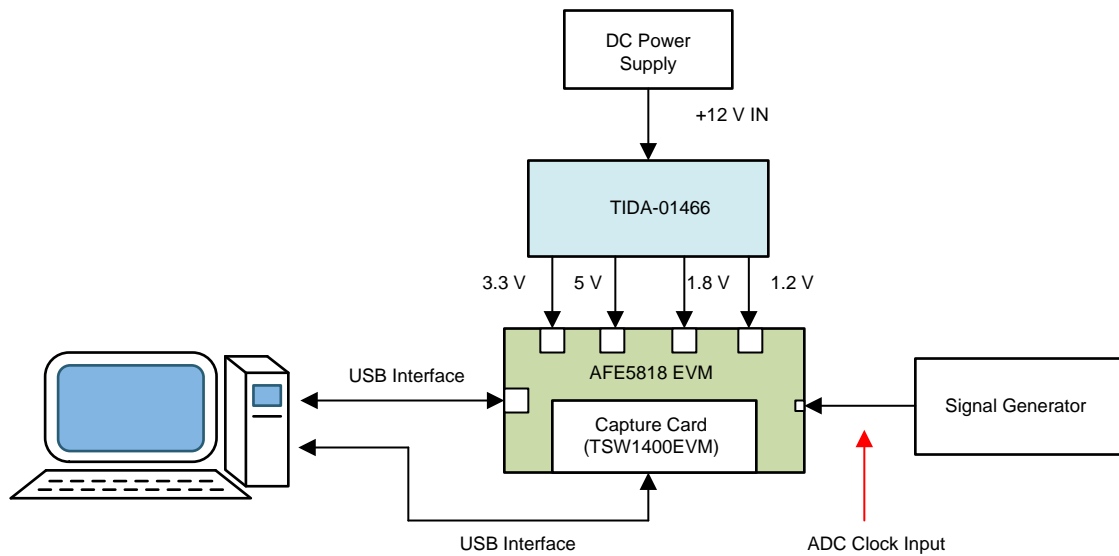
$$\text{Load regulation (\%)} = \frac{(V_{NL} - V_{FL})}{V_{FL}} \times 100 \tag{19}$$

表 5. Load Resistors

OUTPUT VOLTAGES	LOADS ( $\Omega$ )
5 V	2.50
3.3 V_1	1.32
3.3 V_2	1.32
1.8 V_1	0.90
1.8 V_2	0.90
1.2 V	0.60

#### 3.2.1.2 Output Ripple Measurement

図 16 shows the test setup used to measure the output voltage ripple. Measurements are taken using PXA Signal Analyzer N9030B 3 Hz to 44 GHz in dBm. See 3.2.2 for the test results.



Copyright © 2017, Texas Instruments Incorporated

☒ 16. TIDA-01466 Test Setup For Test With AFE Integrated

☒ 16 shows the test setup to evaluate the performance of TI AFE AFE5818 EVM using this reference design. Following test was conducted to evaluate the performance.

### 3.2.1.3 Test With AFE Integrated

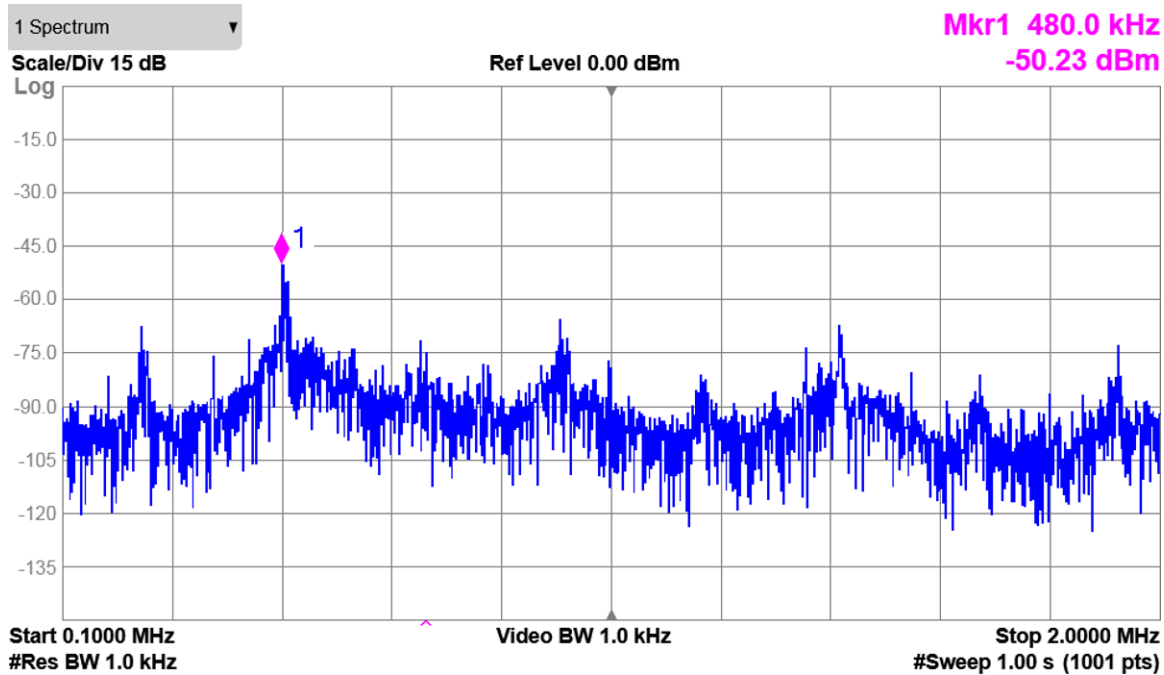
This test evaluates the performance of AFE5818 EVM using this reference design. The test is conducted by disconnecting the onboard EVM power supplies (linear regulators) and by connecting the reference design supplies. Tests are carried out in both TGC and CW mode. In TGC mode, the test is conducted to mimic the beam forming feature of the AFE5818 in the system by coherently summing the outputs of all the 16 channels. These results are averaged and FFT is taken to evaluate the correlated noise. There is no difference observed in the test results between the onboard AFE5818 EVM power supply and the reference design. In this test, 60M clock is used for the AFE ADC provided by the signal generator SG382 and the coherently sampled results are taken. In this test, AFE5818 EVM is controlled using HMC-DAQ GUI. The TSW1400 EVM is also required for capturing data from the AFE5818 EVM and its analysis using the graphical user interface (GUI), called High Speed Data Converter Pro (HSDCPro). The USB connections from the AFE5818 EVM and TSW EVM to the PC are used for communication from the GUIs to the boards. The TSW1400EVM is a complete pattern generator and data capture circuit board used to evaluate most of Texas Instruments' high speed ADCs and DACs. The TSW1400EVM features a high-speed LVDS bus capable of providing 16 bits of data at 1.5 GSPS. The board comes with 1GB of memory, which provides a 16-bit sample depth of 512 MB. This improved memory enables better FFT frequency resolution and larger capture sizes for more realistic tests. HSDC PRO GUI is an easy-to-use GUI that allows users to conduct time domain tests, single- or multiple-tone frequency tests, and even load their own test patterns. See the AFE5818 EVM and TSW1400 EVM for more details.

In CW Mode, summing amplifier output was measured using the signal analyzer PXA Signal Analyzer N9030B 3 Hz to 44 GHz. This test is carried out with an input signal of 15 kHz, 4 dBm. See 3.2.2 for test results.

### 3.2.2 Test Results

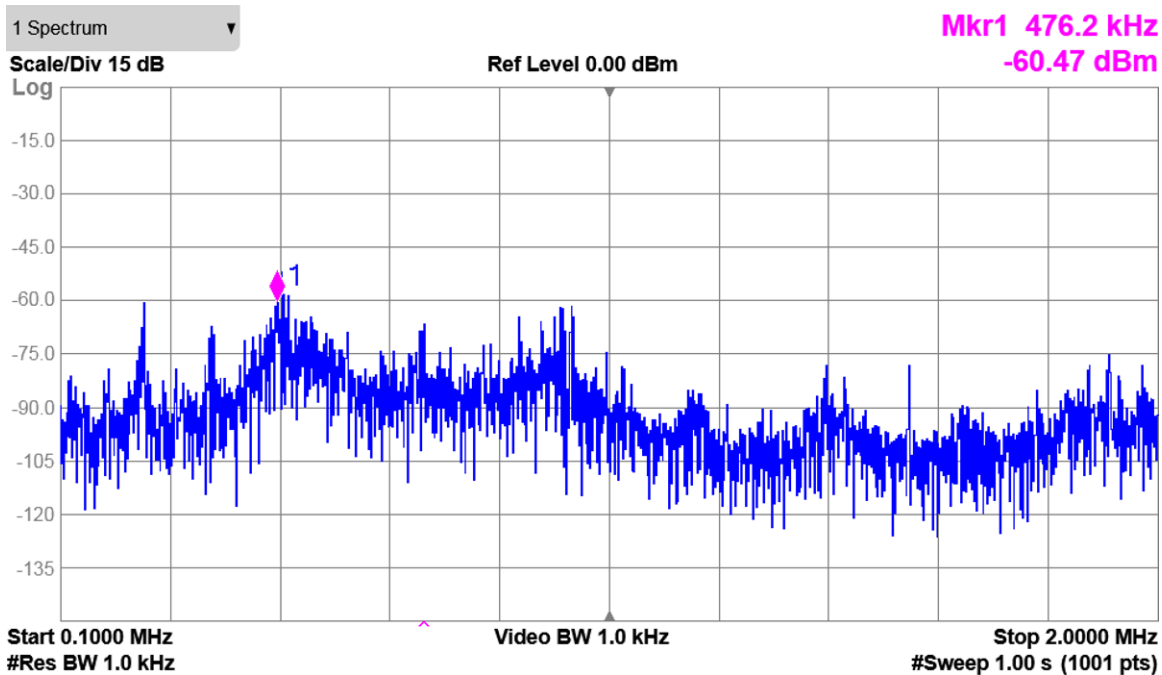
#### 3.2.2.1 LDO Output Voltage Spectrum: 1.8 V, 1.2 V, 3.3 V, and 5 V

☒ 17 shows the output voltage noise spectrum for the TPS54122 with LDO  $V_{OUT} = 1.8\text{ V}$ , SW OUT = 2.3 V,  $V_{IN} = 5.6\text{ V}$ . The max peak is  $-50.23\text{ dBm}$  at 480 kHz with a 2-A load.



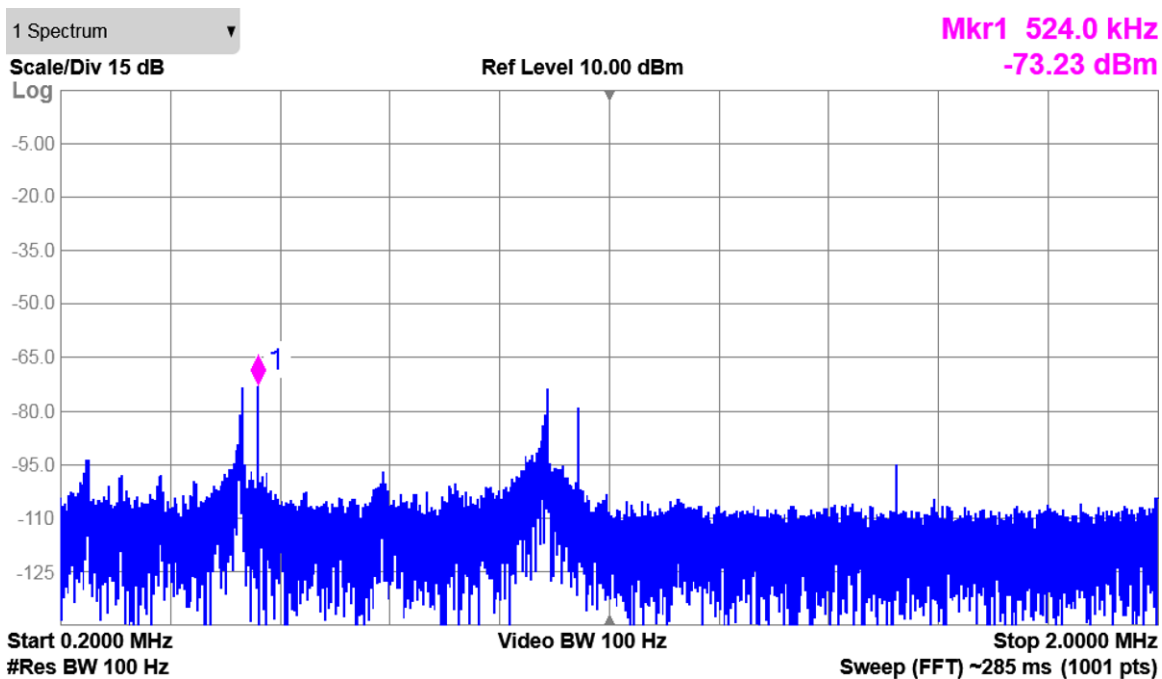
☒ 17. Output Voltage Spectrum of TPS54122 With LDO  $V_{OUT} = 1.8\text{ V}$ , 2-A Load,  $-50.23\text{ dBm}$  Max Peak at 476 kHz

☒ 18 shows the output voltage noise spectrum for the TPS54122 with LDO  $V_{OUT} = 1.2\text{ V}$ , SW OUT = 1.7 V,  $V_{IN} = 5.6\text{ V}$ . The max peak is  $-60.47\text{ dBm}$  at 476 kHz with a 2-A load.



☒ 18. Output Voltage Spectrum of TPS54122 With LDO  $V_{OUT} = 1.2$  V, 2-A Load,  $-60$  dBm Max Peak at 476 kHz

☒ 19 shows the output voltage noise spectrum for the TPS7A84 with LDO  $V_{OUT} = 3.3$  V,  $V_{IN} = 3.6$  V. The max peak is  $-73.23$  dBm at 524 kHz with a 2.5-A load.



☒ 19. Output Voltage Spectrum of TPS7A84 With LDO  $V_{OUT} = 3.3$  V, 2.5-A Load,  $-73.23$  dBm Max Peak at 524 kHz

☒ 20 shows the output voltage noise spectrum for the TPS7A83 with LDO  $V_{OUT} = 5$  V,  $V_{IN} = 5.6$  V. The max peak is  $-60$  dBm at 524 kHz with a 2-A load.

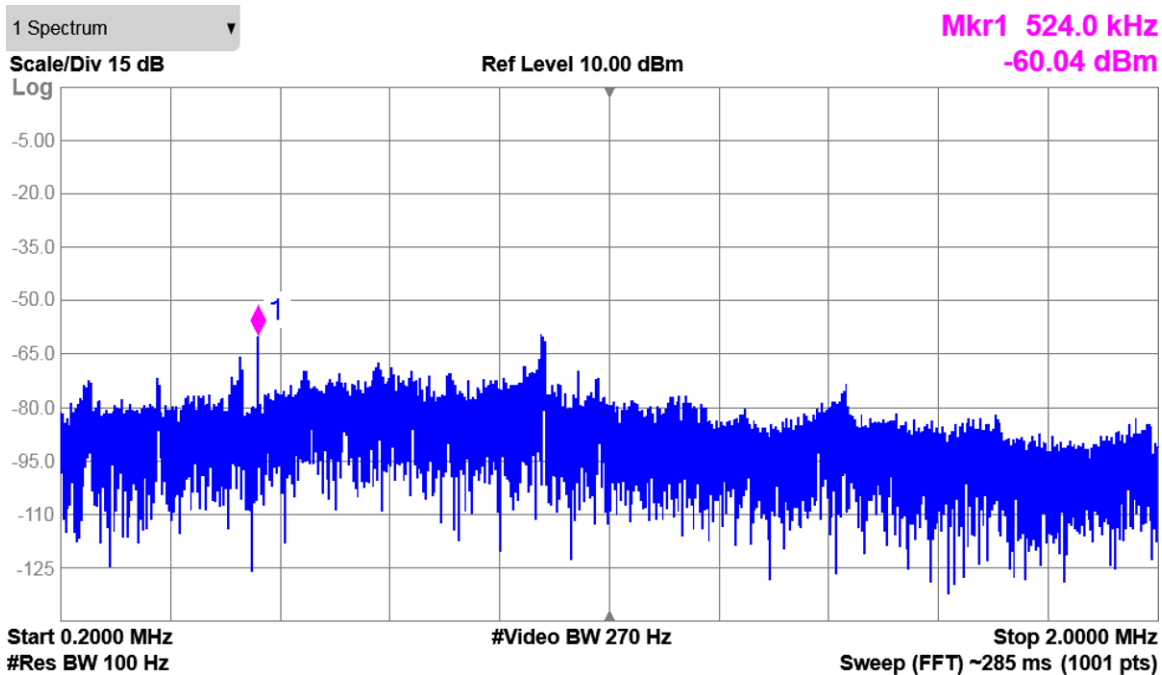


図 20. Output Voltage Spectrum of TPS7A83 With LDO  $V_{OUT} = 5\text{ V}$ , 2-A Load,  $-60\text{ dBm}$  Max Peak at 524 kHz

### 3.2.2.2 Load Regulation

表 6 shows the load regulation of this reference design.

表 6. Load Regulation of TIDA-01466 Power Supplies

OUTPUT VOLTAGES	NO LOAD VOLTAGES (V)	FULL LOAD VOLTAGES (V)	LOAD REGULATION
1.8 V_1	1.811	1.797	0.780%
1.8 V_2	1.811	1.798	0.723%
1.2 V	1.228	1.217	0.900%
5 V	4.972	4.970	0.040%
3.3 V_1	3.297	3.294	0.091%
3.3 V_2	3.301	3.299	0.060%

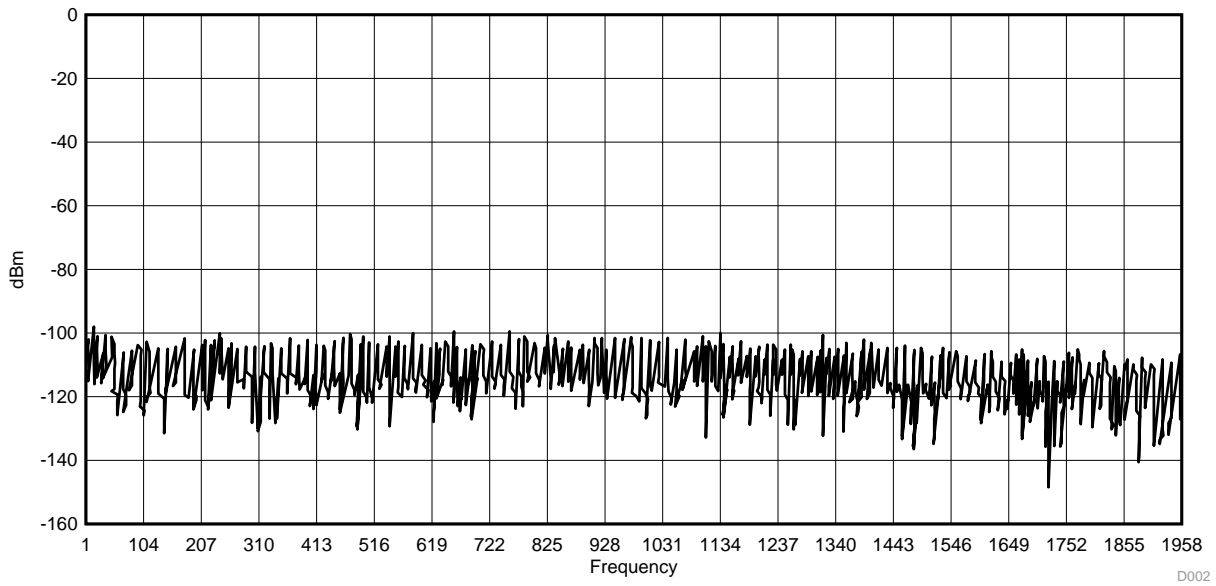
### 3.2.2.3 Test Results With AFE5818 Integrated (For TGC and CW Mode)

#### 3.2.2.3.1 In TGC Mode

図 21 shows the AFE5818 EVM test result for TGC Mode with total gain of 42, and the calculated SNR is 70.12. With the AFE5818 EVM onboard power supply, SNR is 70.95. Gain settings of the TGC Mode are as shown in 表 7.

表 7. TGC Mode Gain Settings

LNA	ATTN	PGA	TOTAL GAIN
18	0	24	42



☒ 21. AFE TGC Path Result With Total Gain of 42, SNR = 70.12

### 3.2.2.3.2 In CW Mode

Figure 22 shows the CW summing amplifier output measured using signal analyzer. The input signal used for this test is a 15-kHz, -4-dBm sine wave. First and second harmonic are -96.7 dBm and -77.8 dBm, respectively.

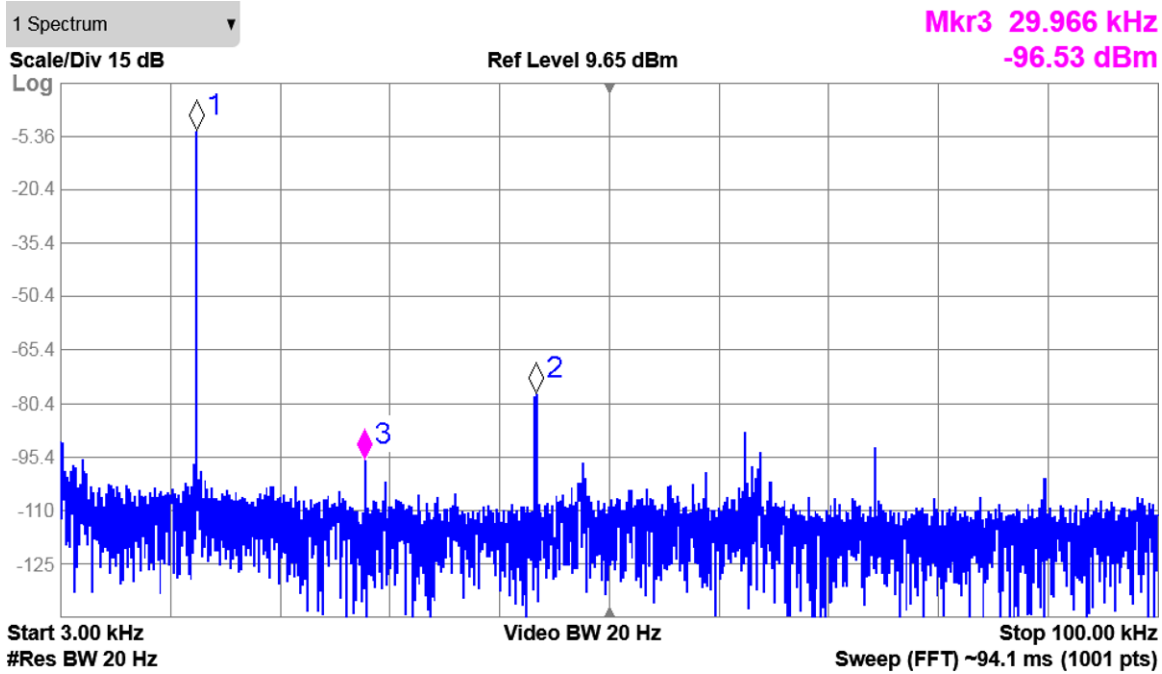


Figure 22. AFE5818 CW Summer Output With TIDA-01466 Integrated; First Harmonic = -96.7 dBm, Second Harmonic = -77.8 dBm

### 3.2.2.4 Power Sequencing

Figure 23 shows the power sequencing of this reference design with regards to 1.2 V and 1.8 V. All other output voltages appear at the same instant as 1.8 V. There is a 50-ms delay between 1.2 V and all other voltage rails.

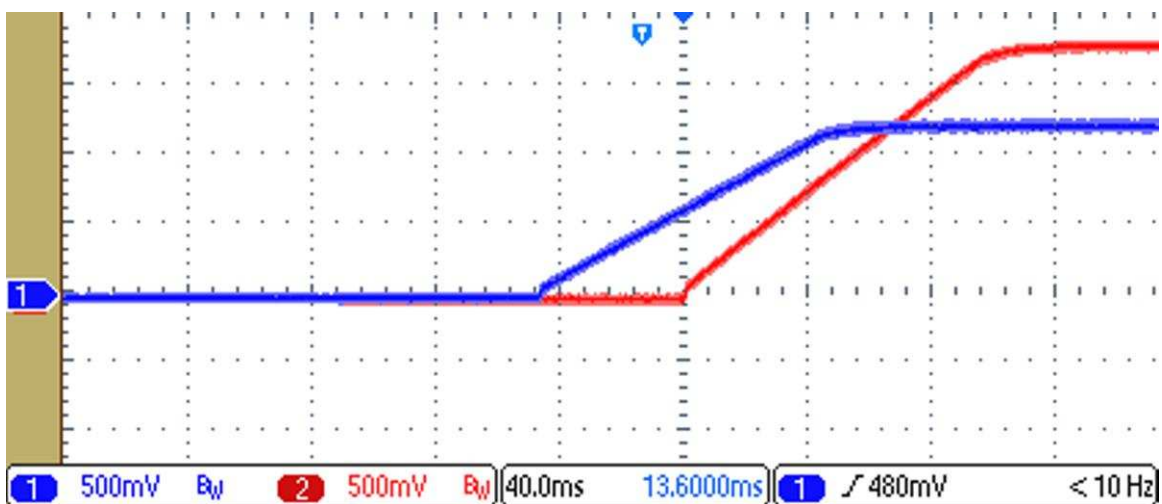
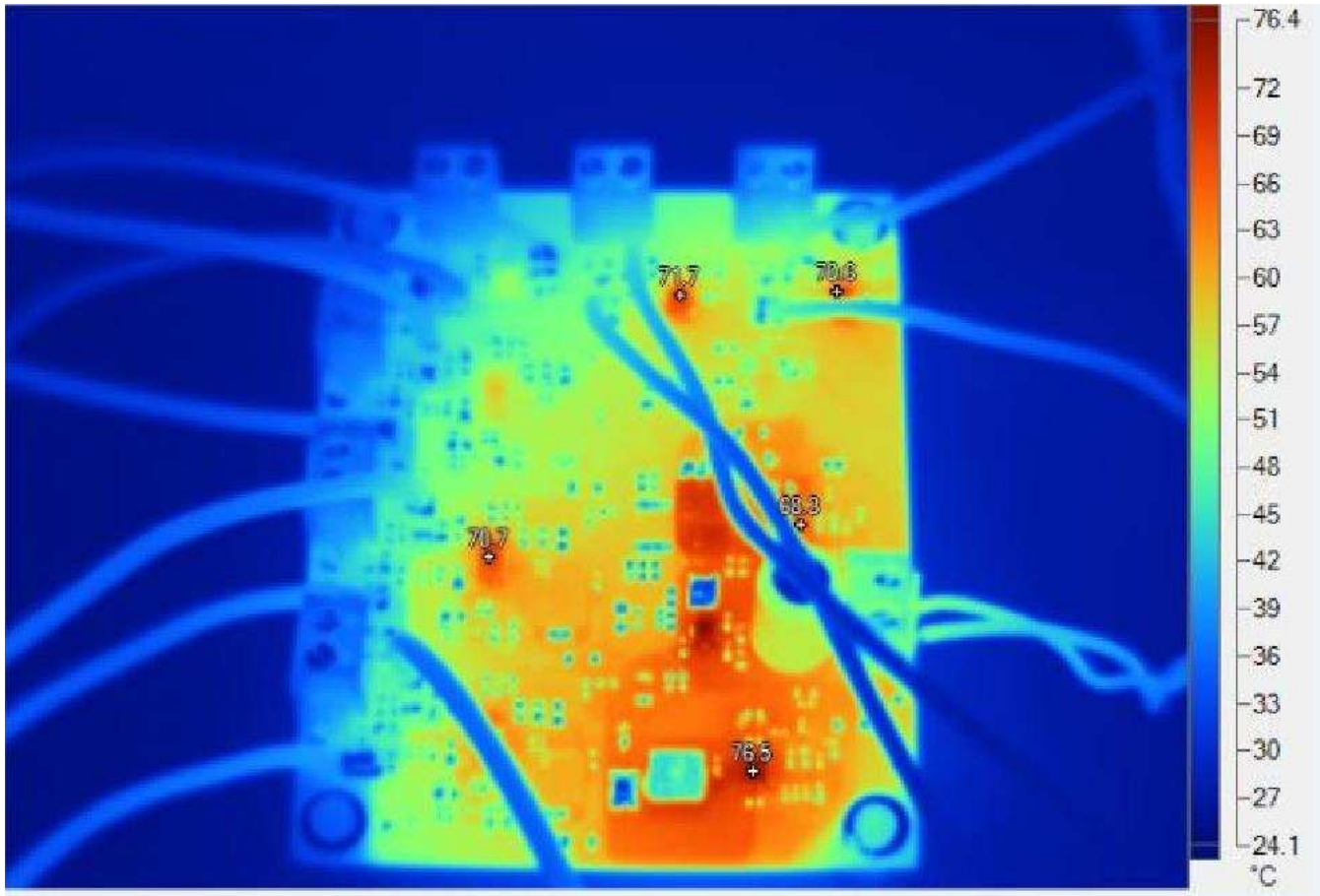


Figure 23. Delay Between 1.2 V and 1.8 V is 50 ms, Soft Start is 100 ms



### 3.2.2.5 Thermal Shot

☒ 24 shows the thermal shot of this reference design under full load condition. The maximum temperature measured is 76.5°C.



☒ 24. TIDA-01466 Thermal Shot

## 4 Design Files

### 4.1 Schematics

To download the schematics, see the design files at [TIDA-01466](#).

### 4.2 Bill of Materials

To download the bill of materials (BOM), see the design files at [TIDA-01466](#).

### 4.3 PCB Layout Recommendations

#### 4.3.1 Layout Prints

To download the layer plots, see the design files at [TIDA-01466](#).

### 4.4 Altium Project

To download the Altium project files, see the design files at [TIDA-01466](#).

### 4.5 Gerber Files

To download the Gerber files, see the design files at [TIDA-01466](#).

### 4.6 Assembly Drawings

To download the assembly drawings, see the design files at [TIDA-01466](#).

## 5 Software Files

To download the software files, see the design files at [TIDA-01466](#).

## 6 Related Documentation

1. Texas Instruments, [AFE5818 16-Channel Analog Front End Evaluation Module \(EVM Rev. C\)](#), User's Guide (SLOU430)
2. Texas Instruments, [www.ti.com/tool/TSW1400EVM](http://www.ti.com/tool/TSW1400EVM)

### 6.1 商標

QuietSupply, HotRod, MSP430 are trademarks of Texas Instruments.  
WEBENCH is a registered trademark of Texas Instruments.  
すべての商標および登録商標はそれぞれの所有者に帰属します。

## 7 About the Author

**LENI SKARIAH** is a systems engineer at Texas Instruments, where she is responsible for developing subsystem design solutions for the Medical, Healthcare and Fitness sector. Leni brings her experience in precision analog and mixed signal designs to this role. Leni earned her bachelor of technology in electronics and communication engineering from the University of Kannur and her master of technology in digital electronics and communication systems from Visvesvaraya Technological University, Karnataka.

## TIの設計情報およびリソースに関する重要な注意事項

Texas Instruments Incorporated ("TI")の技術、アプリケーションその他設計に関する助言、サービスまたは情報は、TI製品を組み込んだアプリケーションを開発する設計者に役立つことを目的として提供するものです。これにはリファレンス設計や、評価モジュールに関する資料が含まれますが、これらに限られません。以下、これらを総称して「TIリソース」と呼びます。いかなる方法であっても、TIリソースのいずれかをダウンロード、アクセス、または使用した場合、お客様(個人、または会社を代表している場合にはお客様の会社)は、これらのリソースをここに記載された目的にのみ使用し、この注意事項の条項に従うことに合意したものとします。

TIによるTIリソースの提供は、TI製品に対する該当の発行済み保証事項または免責事項を拡張またはいかなる形でも変更するものではなく、これらのTIリソースを提供することによって、TIにはいかなる追加義務も責任も発生しないものとします。TIは、自社のTIリソースに訂正、拡張、改良、およびその他の変更を加える権利を留保します。

お客様は、自らのアプリケーションの設計において、ご自身が独自に分析、評価、判断を行う責任がお客様にあり、お客様のアプリケーション(および、お客様のアプリケーションに使用されるすべてのTI製品)の安全性、および該当するすべての規制、法、その他適用される要件への遵守を保証するすべての責任をお客様のみが負うことを理解し、合意するものとします。お客様は、自身のアプリケーションに関して、(1) 故障による危険な結果を予測し、(2) 障害とその結果を監視し、および、(3) 損害を引き起こす障害の可能性を減らし、適切な対策を行う目的で、安全策を開発し実装するために必要な、すべての技術を保持していることを表明するものとします。お客様は、TI製品を含むアプリケーションを使用または配布する前に、それらのアプリケーション、およびアプリケーションに使用されているTI製品の機能性を完全にテストすることに合意するものとします。TIは、特定のTIリソース用に発行されたドキュメントで明示的に記載されているもの以外のテストを実行していません。

お客様は、個別のTIリソースにつき、当該TIリソースに記載されているTI製品を含むアプリケーションの開発に関連する目的でのみ、使用、コピー、変更することが許可されています。明示的または黙示的を問わず、禁反言の法理その他どのような理由でも、他のTIの知的所有権に対するその他のライセンスは付与されません。また、TIまたは他のいかなる第三者のテクノロジーまたは知的所有権についても、いかなるライセンスも付与されるものではありません。付与されないものには、TI製品またはサービスが使用される組み合わせ、機械、プロセスに関連する特許権、著作権、回路配置利用権、その他の知的所有権が含まれますが、これらに限られません。第三者の製品やサービスに関する、またはそれらを参照する情報は、そのような製品またはサービスを利用するライセンスを構成するものではなく、それらに対する保証または推奨を意味するものでもありません。TIリソースを使用するため、第三者の特許または他の知的所有権に基づく第三者からのライセンス、あるいはTIの特許または他の知的所有権に基づくTIからのライセンスが必要な場合があります。

TIのリソースは、それに含まれるあらゆる欠陥も含めて、「現状のまま」提供されます。TIは、TIリソースまたはその仕様に関して、明示的か暗黙的にかかわらず、他のいかなる保証または表明も行いません。これには、正確性または完全性、権原、続発性の障害に関する保証、および商品性、特定目的への適合性、第三者の知的所有権の非侵害に対する黙示的保証が含まれますが、これらに限られません。

TIは、いかなる苦情に対しても、お客様への弁護または補償を行う義務はなく、行わないものとします。これには、任意の製品の組み合わせに関連する、またはそれらに基づく侵害の請求も含まれますが、これらに限られず、またその事実についてTIリソースまたは他の場所に記載されているか否かを問わないものとします。いかなる場合も、TIリソースまたはその使用に関連して、またはそれらにより発生した、実際の、直接的、特別、付随的、間接的、懲罰的、偶発的、または、結果的な損害について、そのような損害の可能性についてTIが知らされていたかどうかにかかわらず、TIは責任を負わないものとします。

お客様は、この注意事項の条件および条項に従わなかったために発生した、いかなる損害、コスト、損失、責任からも、TIおよびその代表者を完全に免責するものとします。

この注意事項はTIリソースに適用されます。特定の種類の資料、TI製品、およびサービスの使用および購入については、追加条項が適用されます。これには、半導体製品(<http://www.ti.com/sc/docs/stdterms.htm>)、評価モジュール、およびサンプル(<http://www.ti.com/sc/docs/sampterm.htm>)についてのTIの標準条項が含まれますが、これらに限られません。