

TI Designs: TIDA-01534

車載用オフ・バッテリー、デュアル・フェーズ昇圧コンバータのリファレンス・デザイン



概要

このリファレンス・デザインは大電力、広い入力電圧範囲(公称9V~20V、過渡は最低6V、最高36V)で、同期整流昇圧コントローラをデュアル・フェーズ構成で使用し、4つの切り替え可能な12Vレールを出力する回路です。これらの各レールは最大2.5Aを供給でき、診断機能が搭載されています。また、このリファレンス・デザインにはデュアル同期整流降圧コントローラも実装されており、2つの大電流、低電圧レール(公称5V、3Aおよび3.8V、6.5A)を生成します。このデザインは、車載用オフ・バッテリーのインフォテイメント・アプリケーションに適しています。

リソース

[TIDA-01534](#)

デザイン・フォルダ

[LM74700-Q1](#)

プロダクト・フォルダ

[LM25122-Q1](#)

プロダクト・フォルダ

[LM5140-Q1](#)

プロダクト・フォルダ

[TPS1H100-Q1](#)

プロダクト・フォルダ



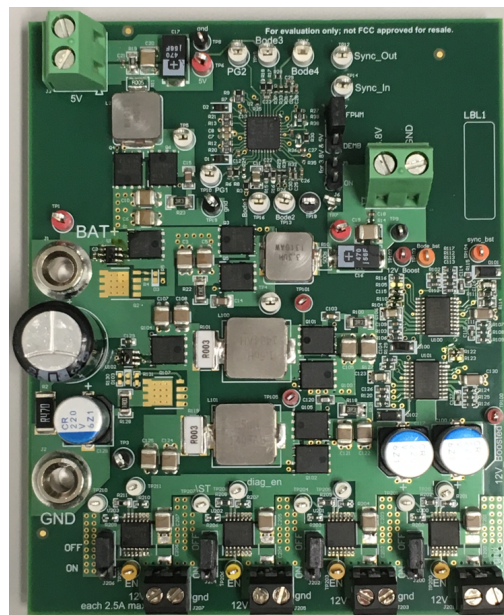
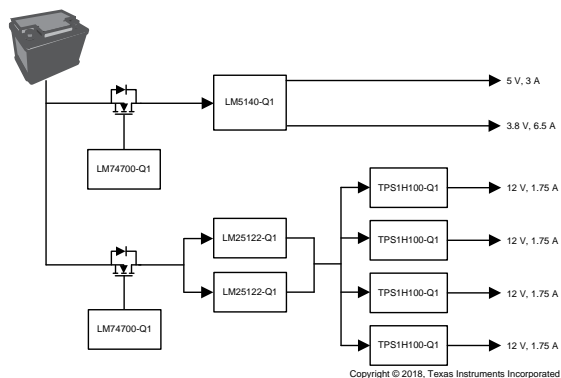
[E2Eエキスパートに質問](#)

特長

- 9V~20Vの広い入力電圧範囲、最低6V、最高36Vの過渡に対応
- デュアル・フェーズの大電流同期整流昇圧コントローラ構成
 - 診断機能を備えた4つの切り替え可能な12V出力
 - 各出力で1.75Aの公称電流
 - 標準的な動作条件で98%を超える効率
- デュアル同期整流降圧コントローラ
 - 公称5V、3A
 - 公称3.8V、6.5A
- ゼロ I_Q のスマート・ダイオード・コントローラによるバッテリー逆極性保護
- AMラジオ帯域の干渉を最小化

アプリケーション

- 車載用ヘッド・ユニット
- アフターマーケット・ヘッド・ユニット





使用許可、知的財産、その他免責事項は、最終ページにあるIMPORTANT NOTICE(重要な注意事項)をご参照くださいますようお願いいたします。英語版のTI製品についての情報を翻訳したこの資料は、製品の概要を確認する目的で便宜的に提供しているものです。該当する正式な英語版の最新情報は、www.ti.comで閲覧でき、その内容が常に優先されます。TIでは翻訳の正確性および妥当性につきましては一切保証いたしません。実際の設計などの前には、必ず最新版の英語版をご参照くださいますようお願いいたします。

1 System Description

The battery system of a vehicle normally supplies the power to end equipment in typical automotive infotainment applications. This reference design implements a circuit that converts a wide-input voltage to four 12-V outputs using a dual-phase synchronous boost circuit. This design also has a circuit that converts the input voltage to two lower voltages at 3.8 V and 5 V using a dual, synchronous buck circuit. The normal operating input voltage range is from 9 V to 20 V, and the design is able to handle transient voltages down to 6 V and up to 36 V. This design is a good fit for automotive head unit, aftermarket head unit, and voltage conditioning module (VCM) applications.

1.1 Key System Specifications

表 1. Key System Specifications

PARAMETER	SPECIFICATIONS	DETAILS
Input voltage range	6-V to 36-V DC	2.4.1
Boost output voltage	12.1 V	2.4.2
Boost output current (per channel)	1.75 A	2.4.2
Boost supply switching frequency	398 kHz	2.4.2
Buck output 1 voltage	5 V ± 1%	2.4.3
Buck output 1 current	3 A	2.4.3
Buck output 2 voltage	3.8 V ± 1%	2.4.3
Buck output 2 current	6.5 A	2.4.3
Buck supply switching frequency	440 kHz (default) or 2.2 MHz	2.4.3

2 System Overview

2.1 Block Diagram

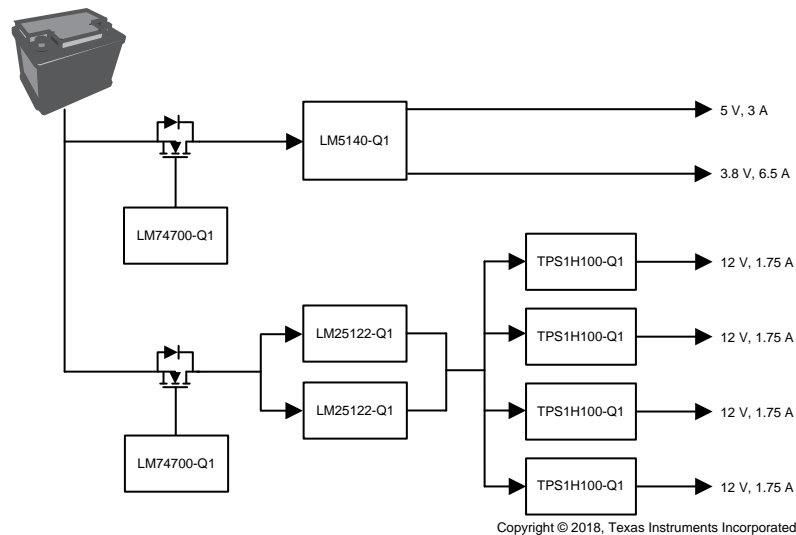


図 1. TIDA-01534 Block Diagram

2.2 Design Considerations

Some of the design considerations for off-battery, infotainment-end-equipment applications are:

- Wide-input voltage range
- Reverse battery condition
- Low-loss and high efficiency
- AM radio band electromagnetic interference (EMI)

The devices in this reference design have a wide supply input range that can accommodate the transient conditions in an off-battery application.

Protection from reverse battery conditions, which are typically caused by an incorrect installation or a jump-start connection, is mandatory. Low-loss and high efficient solutions are important, especially in high-current applications. This design utilizes two protection circuits in parallel to further reduce power loss.

Radio band EMI (especially in the AM band) must be minimized in infotainment end equipment. Using power supplies that have switching frequencies outside of the AM band, as well as the capability to operate in out-of-phase mode, helps achieve this objective.

2.3 Highlighted Products

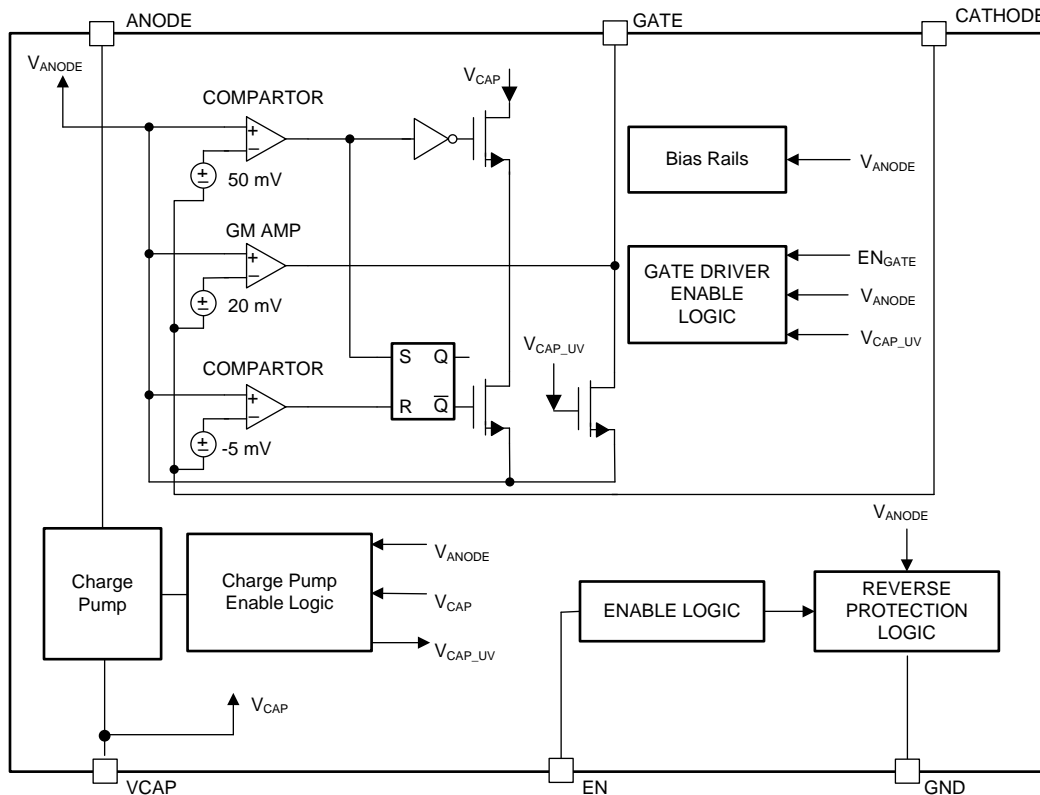
2.3.1 LM74700-Q1

The LM74700-Q1 is a smart diode controller that operates in conjunction with an external N-channel MOSFET to function as an ideal diode rectifier for low-loss reverse polarity protection. The wide supply input range of 3 V to 65 V allows control of many popular DC bus voltages. The device can withstand and protect the loads from negative supply voltages down to -65 V. With a low $R_{DS(ON)}$ external N-channel MOSFET, a very-low forward voltage drop can be achieved while minimizing the amount of power dissipated in the MOSFET.

For low-load currents, the forward voltage is regulated to 20 mV to enable graceful shutdown of the MOSFET. TI recommends external MOSFETs with a 5 V or lower threshold voltage. With the enable pin low, the controller is off and draws approximately 3 μ A of current.

The LM74700-Q1 controller provides a charge pump gate drive for an external N-channel MOSFET. The high voltage rating of the LM74700-Q1 helps to simplify the system designs for automotive ISO 7637 protection. Fast response to reverse current blocking makes the device suitable for systems with output voltage holdup requirements during ISO 7637 pulse testing, as well as power fail and brownout conditions. The LM74700-Q1 is also suitable for ORing applications or AC rectification.

Figure 2 shows the LM74700-Q1 functional block diagram.



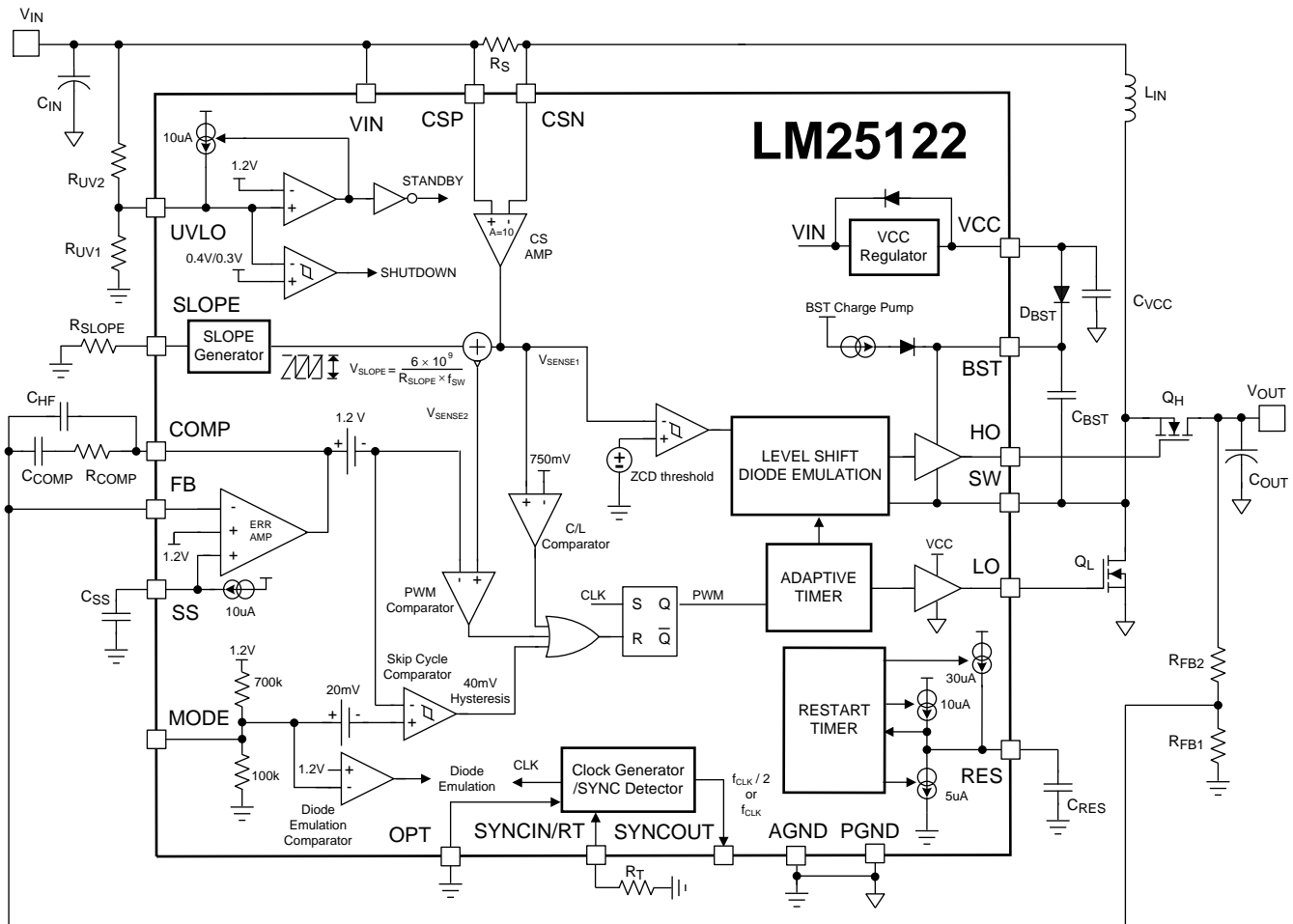
Copyright © 2017, Texas Instruments Incorporated

Figure 2. LM74700-Q1 Functional Block Diagram

2.3.2 LM25122-Q1

The LM25122-Q1 is a multiphase-capable synchronous boost controller intended for high-efficiency synchronous boost regulator applications. The control method is based on peak current mode control. Current mode control provides inherent line feedforward, cycle-by-cycle current limiting, and ease-of-loop compensation.

The switching frequency is programmable up to 600 kHz. Higher efficiency is achieved by two robust N-channel MOSFET gate drivers with adaptive deadtime control. A user-selectable diode emulation mode also enables discontinuous mode operation for improved efficiency at light load conditions.



Copyright © 2016, Texas Instruments Incorporated

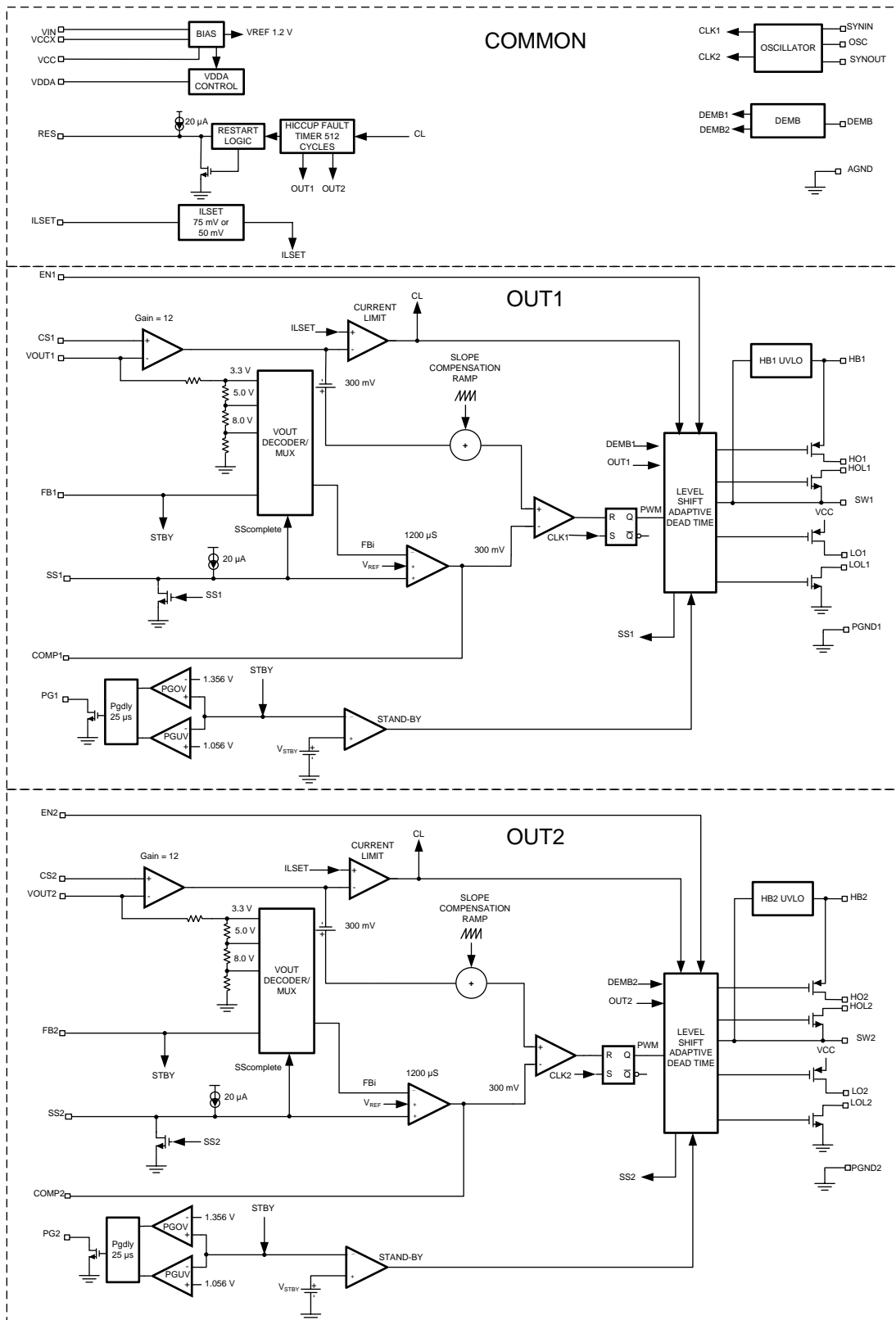
図 3. LM25122-Q1 Functional Block Diagram

2.3.3 LM5140-Q1

The LM5140-Q1 is a dual synchronous buck controller intended for high voltage wide VIN step-down converter applications. The control method is based on current mode control. Current mode control provides inherent line feedforward, cycle-by-cycle current limiting, and easier loop compensation.

The LM5140-Q1 features adjustable slew rate control to simplify compliance with the CISPR and automotive EMI requirements. The LM5140-Q1 operates at selectable switching frequencies of 2.2 MHz or 440 kHz, with the two controller channels switching 180° out of phase. In light or no-load conditions, the LM5140-Q1 operates in skip cycle mode for improved low power efficiency. The LM5140-Q1 includes a high voltage bias regulator with automatic switch-over to an external bias supply, to improve efficiency and reduce input current.

Additional features include frequency synchronization, cycle-by-cycle current limit, hiccup mode fault protection for sustained overloads, independent power good outputs, and independent enable inputs.



4. LM5140-Q1 Functional Block Diagram

2.3.4 TPS1H100-Q1

The TPS1H100-Q1 is a high-side power switch that is fully protected and single channel, with integrated NMOS power FET and charge pump. Full diagnostics and high-accuracy current sense features enable intelligent control of the load. Programmable current limit function greatly improves the reliability of the entire system. The device diagnostic reporting has two versions to support both digital status and analog current sense output, both of which can be set as high impedance when diagnostics are disabled, for multiplexing the MCU analog or digital interface among devices.

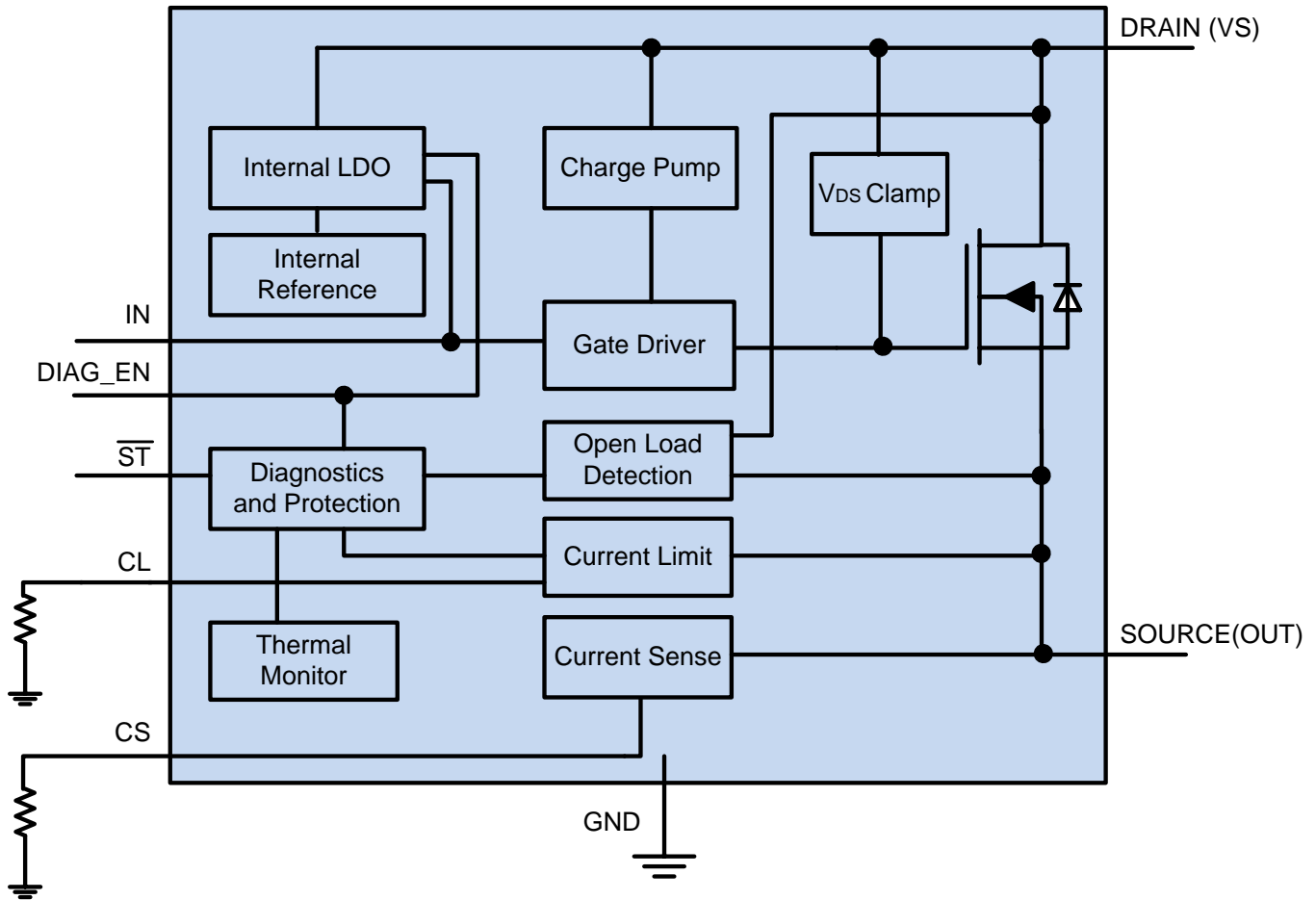


図 5. TPS1H100-Q1 Functional Block Diagram

2.4 System Design Theory

2.4.1 Input Protection

The LM74700-Q1 smart diode controller is used to protect the circuit from reverse battery condition. The very low $R_{DS(ON)}$ of the n-channel MOSFET helps reduce power loss, especially during high-current operation. By using two separate input paths, the resistance is reduced to improve overall power loss of the system.

2.4.2 Boost Voltage Supply Controllers (LM25122-Q1)

Two LM25122-Q1s are used to provide high current output for the boost voltage to supply up to 2.5 A for each of the four downstream systems. To help reduce EMI, the two devices are designed to operate in dual phase interleaved operation, with outputs 180° out of phase from each other. U100 is set as the master device with SYNCOUT connecting to SYNCIN of the slave device (U101). [Figure 6](#) shows the connections between a master device and a slave device.

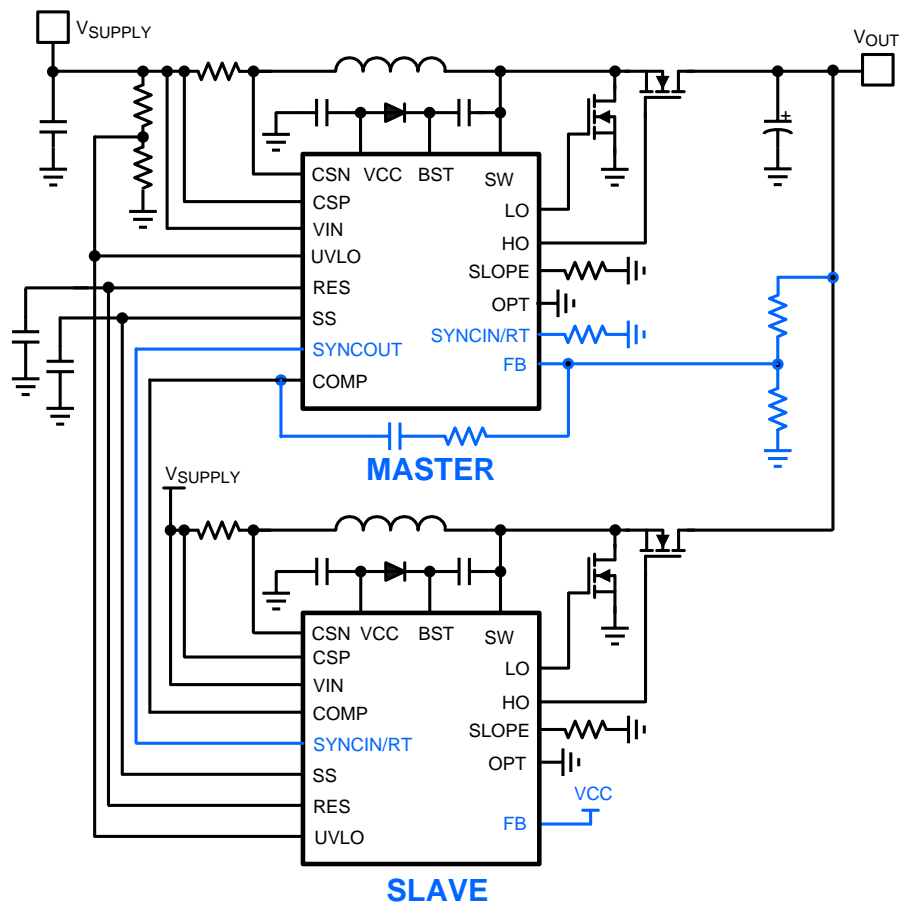


図 6. LM25122-Q1 Dual-Phase Interleaved Boost Configuration

To avoid the AM radio band, the SYNCIN/RT pin of U100 is used to set the switching frequency to 398 kHz with resistor R115:

$$f_{sw} = \frac{9 \times 10^9}{R115} = \frac{9 \times 10^9}{22.6 \text{ k}} = 398 \text{ kHz}$$

(1)

The output voltage is set to 12.1 V with feedback resistors R102, R112, and R117 to the master device (U100):

$$V_{\text{OUT}} (12\text{V_Boosted}) = \frac{51\ \Omega + 90.9\ \text{k}\Omega}{10\ \text{k}\Omega} + 1 \times 1.2\ \text{V} = 12.1\ \text{V} \quad (2)$$

Resistor R102 is used to facilitate measurement of loop transfer function of the power supply. For more information, see [AN-1889 How to Measure the Loop Transfer Function of Power Supplies](#).

When the input voltage is equal to or greater than the set output voltage (12.1 V), the LM25122-Q1s are in 100% duty cycle operation for the high-side synchronous switch (bypass operation); thus the output voltage is equal to the input voltage.

2.4.3 Buck Voltage Supply Controller (LM5140-Q1)

The LM5140-Q1 generates 5-V and 3.8-V output rails from the battery source. Pin 3 (FB2) is connected to feedback resistors R28, R33, and R37 for 5-V output. Pin 28 (FB1) is connected to feedback resistors R26, R29, and R34 for 3.8-V output. The two outputs switch 180° out of phase to each other to help reduce EMI.

$$V_{\text{OUT}} (5\text{V}0) = \frac{51\ \Omega + 31.6\ \text{k}\Omega}{10\ \text{k}\Omega} + 1 \times 1.2\ \text{V} = 5\ \text{V} \quad (3)$$

$$V_{\text{OUT}} (3\text{V}8) = \frac{165\ \Omega + 21.5\ \text{k}\Omega}{10\ \text{k}\Omega} + 1 \times 1.2\ \text{V} = 3.8\ \text{V} \quad (4)$$

To avoid the AM radio band, switching frequency is set to 440 kHz by grounding pin 37 (OSC) through a 0-Ω resistor (R39).

3 Hardware, Testing Requirements, and Test Results

3.1 Required Hardware


The hardware for this design is as follows:

- Agilent 1000-W power supply or other comparable power supply
- Thermal imager for temperature measurements
- Oscilloscope for signal measurements
- Variable loads
- Frequency Response Analyzer (Venable 3120)

3.2 Testing and Results

3.2.1 Test Setup

CAUTION



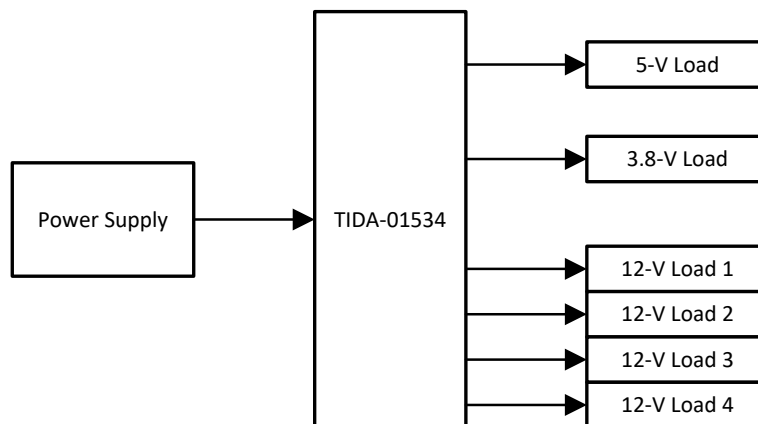
Hot surface. Contact may cause burns. Avoid touch.

Connect proper variable loads to outputs for desired loading base on specific test

Connect power supply to PCB inputs (J1: V_{IN} , J2: GND)

For boost outputs, install shunt between pins 1 and 2 of corresponding header to enable, or between pins 2 and 3 to disable:

- J200 header for J201 output
- J202 header for J203 output
- J204 header for J205 output
- J206 header for J207 output



Copyright © 2018, Texas Instruments Incorporated

図 7. Test Setup Block Diagram

3.2.2 Test Results

3.2.2.1 Start-up Waveforms

The following three figures show captures of input and outputs during start-up with various input voltages.

- Channel 1, 2 V/div (yellow): V_{IN} source input
- Channel 2, 2 V/div (magenta): 12-V boost output
- Channel 3, 1 V/div (cyan): 3.8-V buck output
- Channel 4, 1 V/div (green): 5-V buck output

Figure 8 shows start-up waveforms with source input voltage (V_{IN}) at 9 V.

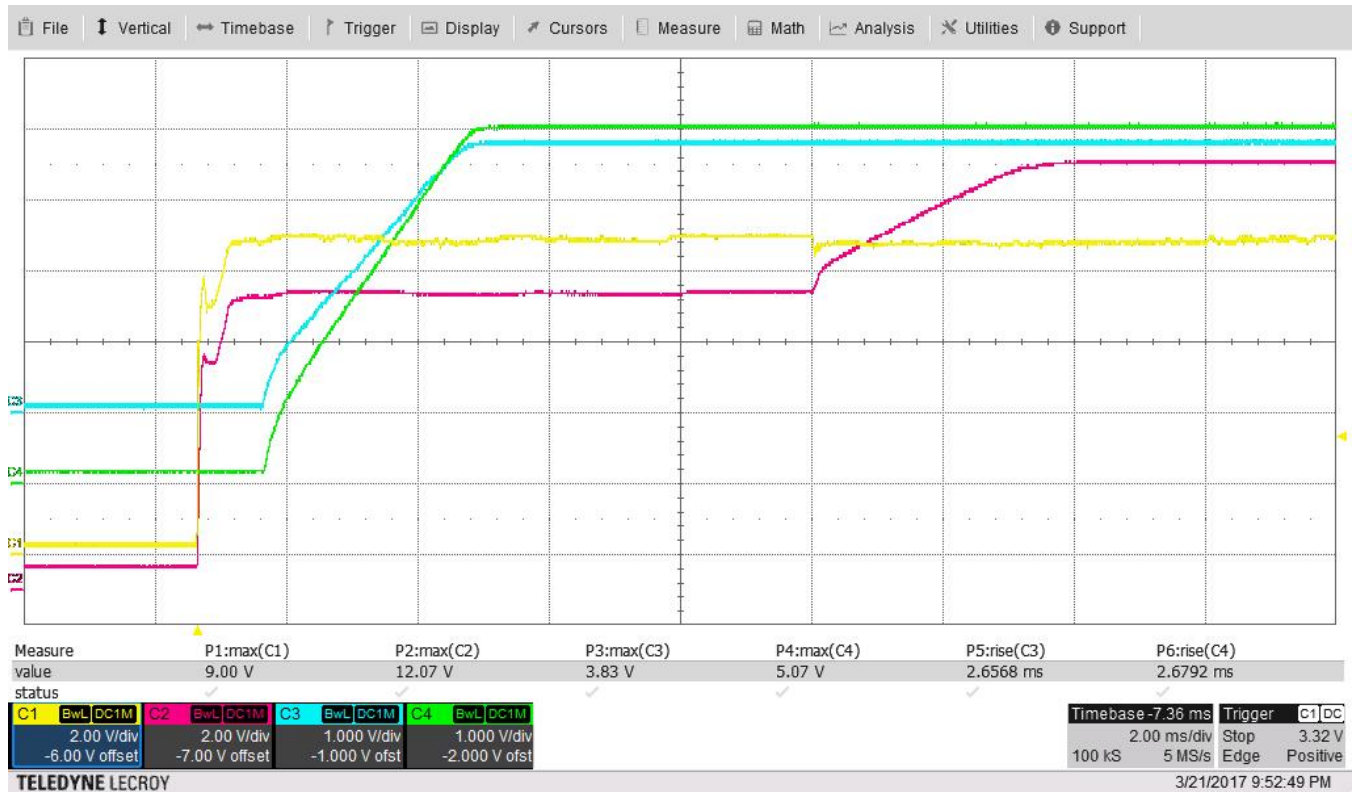


Figure 8. Start-up With Input at 9 V

Figure 9 and Figure 10 show start-up waveforms without soft-start at the boost with source input voltage (V_{IN}) at 6 V and at 9 V, respectively.

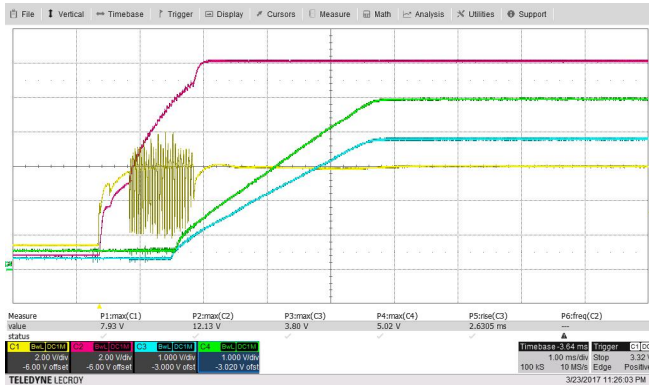


Figure 9. Start-up Without Boost Soft-Start With Input at 6 V

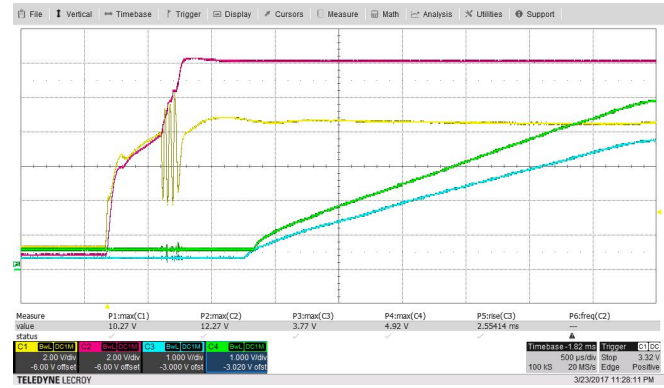


Figure 10. Start-up Without Boost Soft-Start With Input at 9 V

Figure 11 and Figure 12 show the in-rush current during start-up without soft-start at the boost with source input voltage (V_{IN}) at 9 V and at 15 V, respectively.

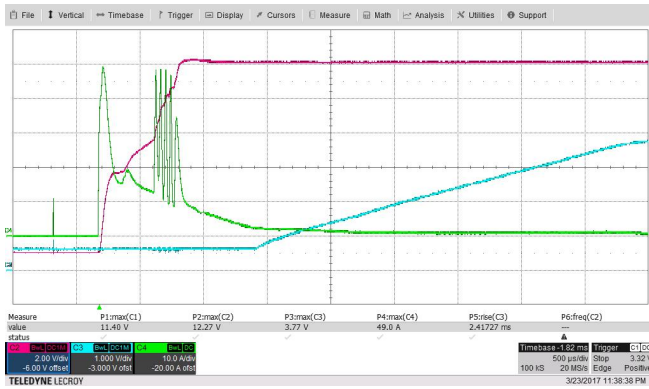


Figure 11. In-rush Current During Start-up Without Boost Soft-Start With Input at 9 V

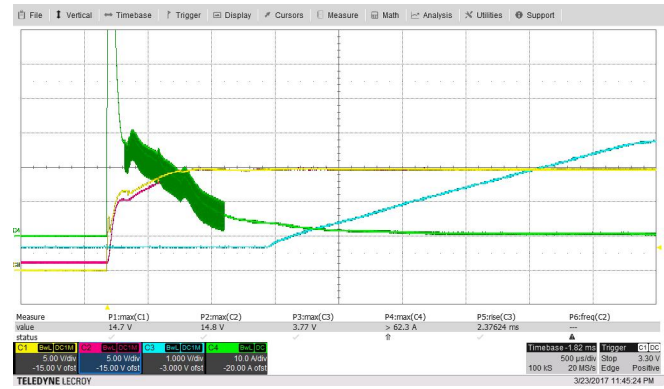
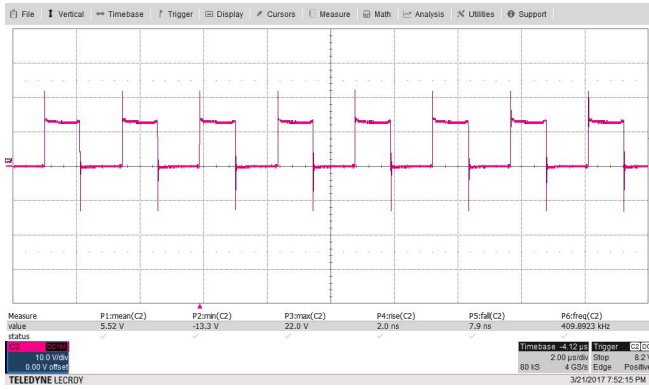


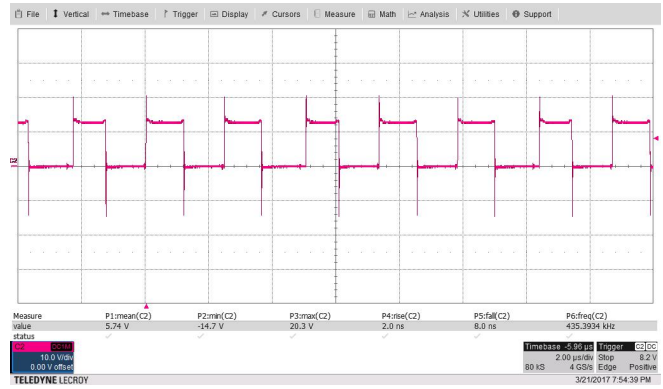
Figure 12. In-rush Current During Start-up Without Boost Soft-Start With Input at 15 V

3.2.2.2 Output Switch Nodes Waveforms

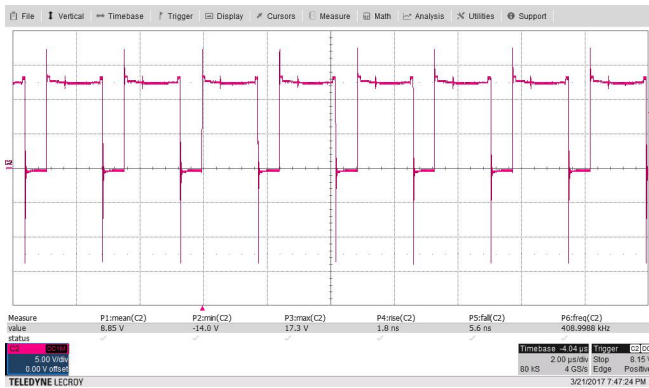
The following figures show the waveforms at the switch nodes at different levels of input voltage.



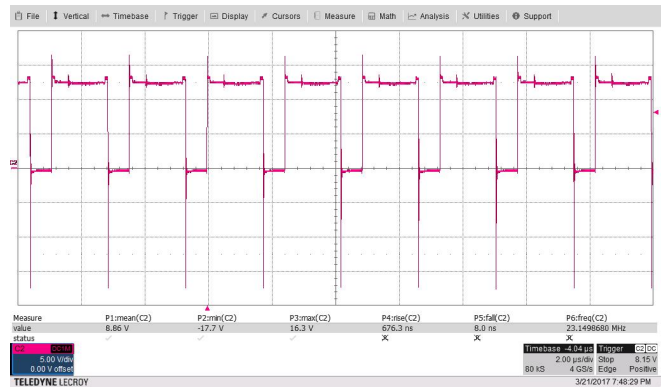
13. Boost 12-V Output Switch Node 1 (TP101) With Input at 6 V



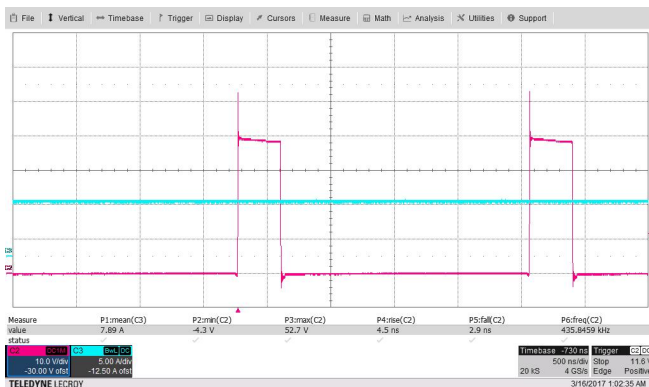
14. Boost 12-V Output Switch Node 2 (TP105) With Input at 6 V



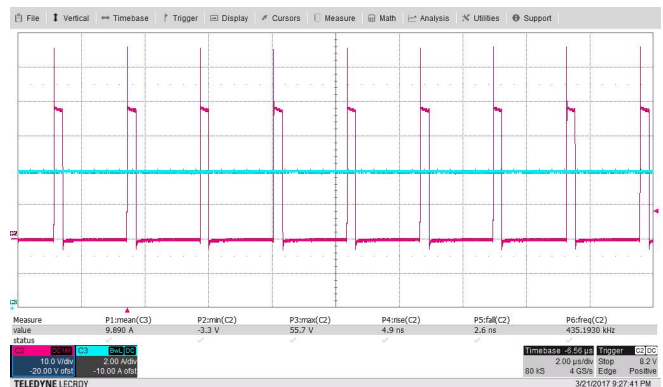
15. Boost 12-V Output Switch Node 1 (TP101) With Input at 9 V



16. Boost 12-V Output Switch Node 2 (TP105) With Input at 9 V



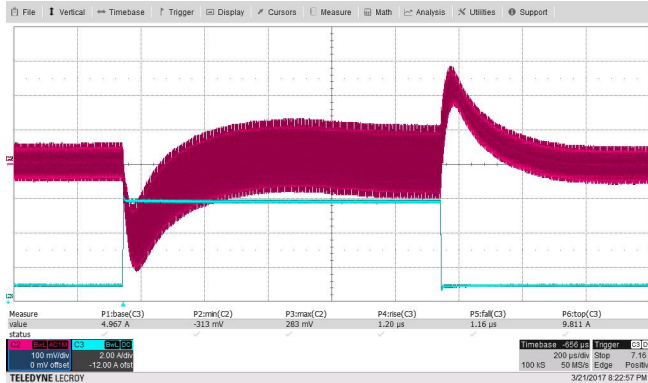
17. Buck 5-V Output Switch Node (TP5) With Input at 36 V and Output Current at 8 A



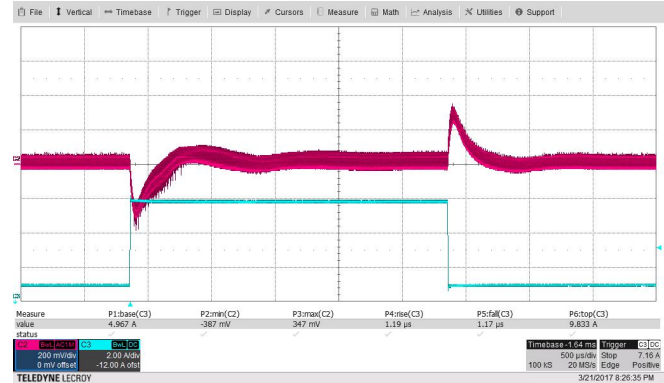
18. Buck 3.8-V Output Switch Node (TP4) With Input at 36 V and Output Current at 10 A

3.2.2.3 Output Ripple and Dynamic Load-step Waveforms

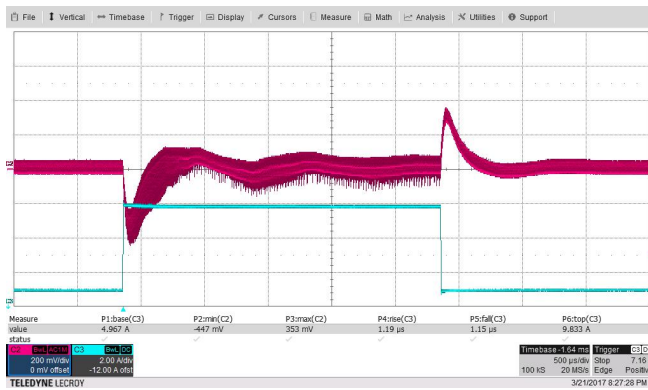
The following figures show the boost output ripple and response to dynamic current 50% load-step from 5-A half load to 10-A full load at different levels of input voltage.



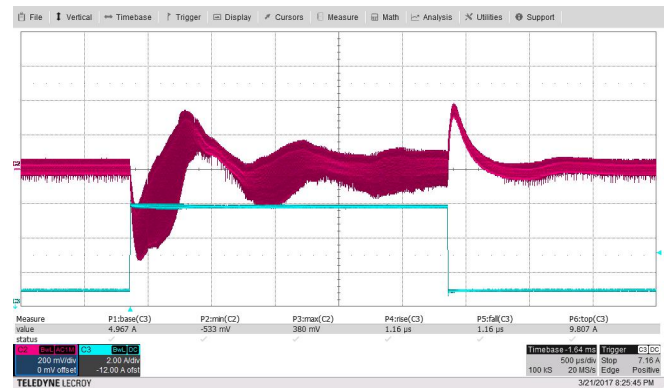
19. Boost 12-V Output With Load-Step From 5 A to 10 A With Input at 9 V



20. Boost 12-V Output With Load-Step From 5 A to 10 A With Input at 7 V

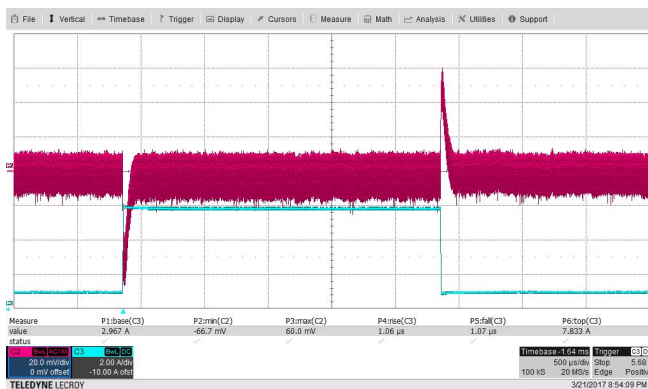


21. Boost 12-V Output With Load-Step From 5 A to 10 A With Input at 6.5 V

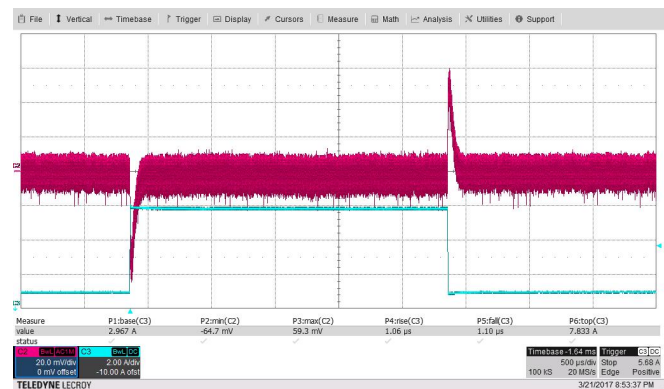


22. Boost 12-V Output With Load-Step From 5 A to 10 A With Input at 6 V

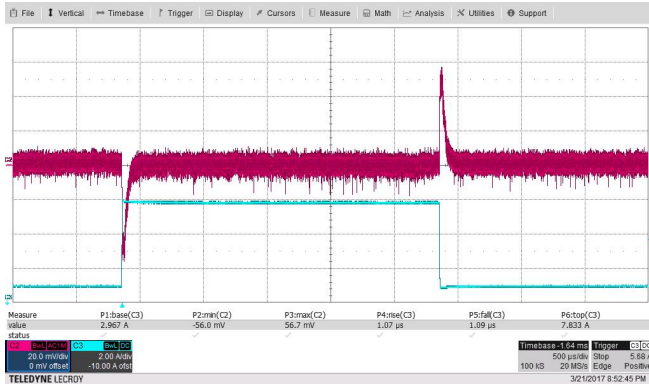
The following figures show the buck output ripple and response to dynamic current load-step from 3 A to 8 A (for 5-V output), and from 5 A to 10 A (for 3.8-V output), at different levels of input voltage:



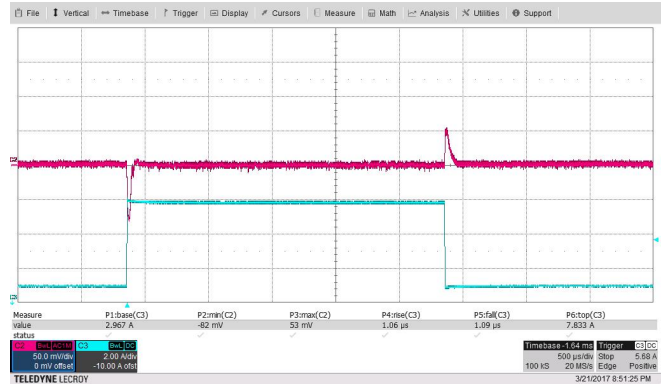
23. Buck 5-V Output With Load-Step From 3 A to 8 A With Input at 36 V



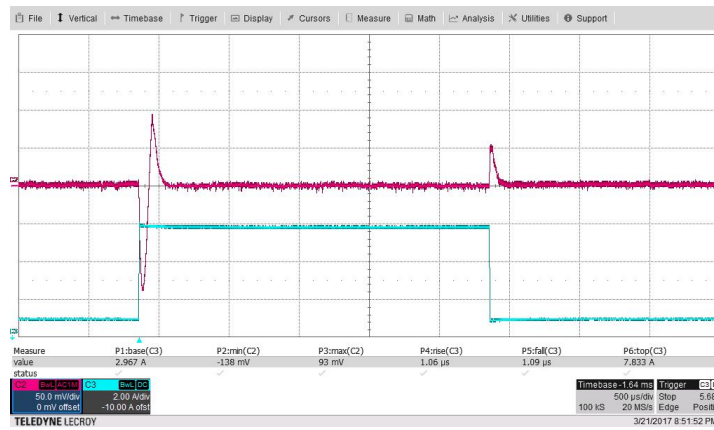
24. Buck 5-V Output With Load-Step From 3 A to 8 A With Input at 20 V



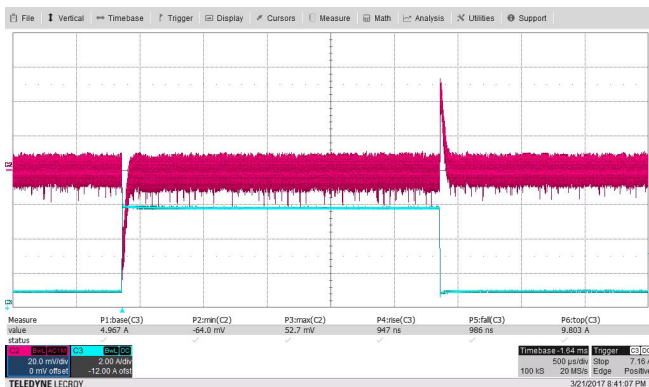
25. Buck 5-V Output With Load-Step From 3 A to 8 A With Input at 9 V



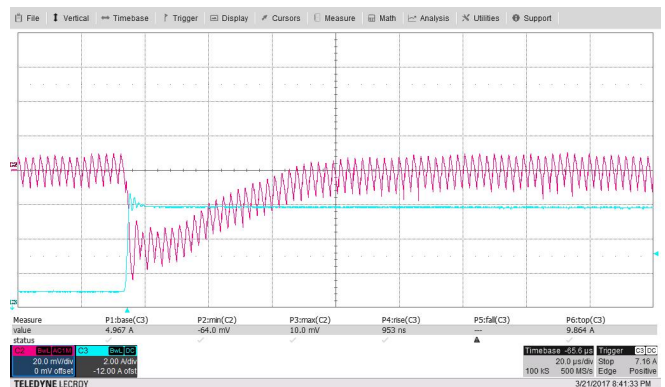
26. Buck 5-V Output With Load-Step From 3 A to 8 A With Input at 6.5 V



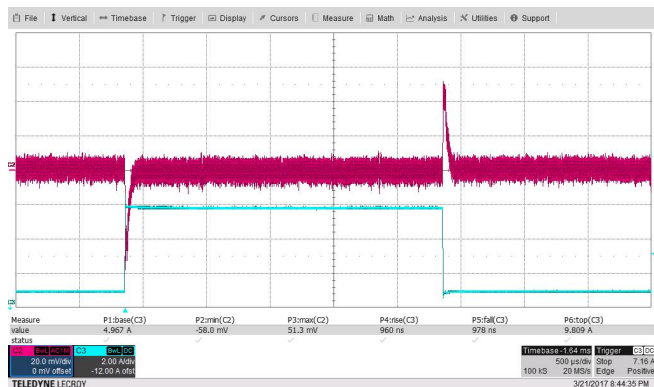
27. Buck 5-V Output With Load-Step From 3 A to 8 A With Input at 6 V



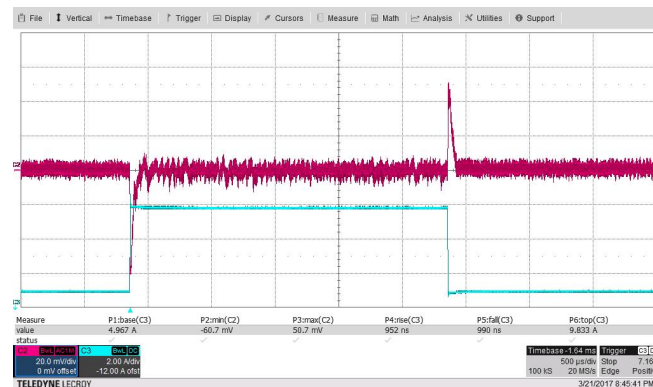
28. Buck 3.8-V Output With Load-Step From 5 A to 10 A With Input at 36 V



29. Buck 3.8-V Output With Load-Step From 5 A to 10 A With Input at 36 V (Zoomed)



30. Buck 3.8-V Output With Load-Step From 5 A to 10 A With Input at 9 V



31. Buck 3.8-V Output With Load-Step From 5 A to 10 A With Input at 6 V

3.2.2.4 Efficiency Measurements

The efficiency of the 12-V outputs are measured at various input voltages, with the disabled buck controller circuit drawing less than 100 μ A. At typical operating conditions, the efficiency is more than 95%.

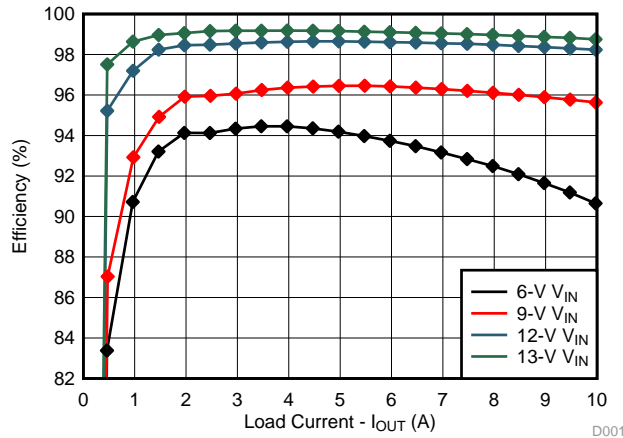


図 32. Boost 12-V Output Efficiency

表 2. Boost 12-V Output Measurements With Input at 6 V

V _{IN} (V)	I _{IN} (A)	V _{OUT} (V)	I _{OUT} (A)	EFFICIENCY (%)	P _{LOSS} (W)
5.999	0.179	12.065	0.000	0.000	1.071
5.999	1.113	12.065	0.461	83.378	1.110
5.999	2.134	12.065	0.963	90.717	1.188
5.999	3.157	12.066	1.463	93.208	1.286
5.999	4.198	12.064	1.965	94.126	1.480
5.999	5.265	12.061	2.465	94.122	1.856
5.999	6.315	12.060	2.964	94.339	2.145
5.999	7.375	12.059	3.465	94.457	2.452
5.999	8.442	12.059	3.967	94.452	2.810
5.999	9.519	12.059	4.468	94.353	3.225
5.999	10.601	12.059	4.967	94.186	3.698
5.999	11.695	12.059	5.468	93.974	4.228
5.999	12.796	12.059	5.968	93.739	4.807
5.999	13.908	12.059	6.468	93.473	5.446
5.999	15.032	12.059	6.967	93.164	6.165
5.999	16.177	12.059	7.471	92.833	6.955
5.999	17.322	12.060	7.970	92.489	7.806
5.999	18.490	12.060	8.471	92.092	8.772
5.999	19.680	12.061	8.972	91.653	9.855
5.999	20.882	12.061	9.472	91.188	11.039
5.999	22.118	12.062	9.973	90.650	12.407

表 3. Boost 12-V Output Measurements With Input at 9 V

V _{IN} (V)	I _{IN} (A)	V _{OUT} (V)	I _{OUT} (A)	EFFICIENCY (%)	P _{LOSS} (W)
9.000	0.092	12.068	0.000	0.000	0.825
9.000	0.730	12.068	0.474	87.035	0.852
9.000	1.406	12.068	0.975	92.924	0.896
9.000	2.084	12.068	1.475	94.919	0.953
9.000	2.761	12.068	1.975	95.919	1.014
9.000	3.458	12.066	2.475	95.961	1.257
9.000	4.151	12.063	2.975	96.067	1.469
9.000	4.836	12.062	3.473	96.246	1.634
9.000	5.531	12.061	3.977	96.364	1.810
9.000	6.220	12.061	4.475	96.417	2.006
9.000	6.915	12.061	4.977	96.450	2.209
9.000	7.609	12.061	5.477	96.459	2.425
9.000	8.305	12.061	5.976	96.426	2.671
9.000	9.005	12.061	6.475	96.366	2.945
9.000	9.708	12.060	6.976	96.293	3.239
9.000	10.414	12.060	7.476	96.204	3.558
9.000	11.120	12.061	7.976	96.113	3.890
9.000	11.832	12.061	8.477	96.011	4.248
9.000	12.547	12.061	8.978	95.891	4.640
9.000	13.262	12.061	9.477	95.772	5.047
9.000	13.982	12.061	9.978	95.633	5.495

表 4. Boost 12-V Output Measurements With Input at 12 V

V _{IN} (V)	I _{IN} (A)	V _{OUT} (V)	I _{OUT} (A)	EFFICIENCY (%)	P _{LOSS} (W)
11.999	0.016	12.068	0.000	0.000	0.191
11.999	0.492	12.068	0.465	95.219	0.282
11.999	1.001	12.068	0.968	97.194	0.337
11.999	1.501	12.068	1.467	98.239	0.317
11.999	2.010	12.068	1.968	98.458	0.372
11.999	2.520	12.068	2.468	98.484	0.459
11.999	3.030	12.068	2.969	98.541	0.530
11.999	3.539	12.068	3.469	98.594	0.597
11.999	4.049	12.068	3.971	98.630	0.666
11.999	4.559	12.068	4.472	98.650	0.738
11.999	5.069	12.069	4.972	98.651	0.820
11.999	5.580	12.068	5.473	98.632	0.916
11.999	6.090	12.068	5.971	98.610	1.016
11.999	6.602	12.068	6.471	98.589	1.117
11.999	7.114	12.069	6.971	98.551	1.237
11.999	7.628	12.069	7.473	98.530	1.345
11.999	8.143	12.069	7.973	98.486	1.479
11.999	8.659	12.068	8.473	98.422	1.639
11.999	9.177	12.068	8.976	98.368	1.797
11.999	9.695	12.068	9.475	98.300	1.978
11.999	10.214	12.068	9.976	98.237	2.160

表 5. Boost 12-V Output Measurements With Input at 13 V

V _{IN} (V)	I _{IN} (A)	V _{OUT} (V)	I _{OUT} (A)	EFFICIENCY (%)	P _{Loss} (W)
13.004	0.011	12.972	0.000	0.000	0.138
13.004	0.475	12.968	0.465	97.509	0.154
13.004	0.976	12.963	0.966	98.634	0.173
13.004	1.476	12.958	1.466	98.964	0.199
13.004	1.977	12.952	1.966	99.059	0.242
13.004	2.477	12.947	2.467	99.156	0.272
13.004	2.977	12.942	2.967	99.177	0.319
13.004	3.478	12.936	3.467	99.176	0.373
13.004	3.981	12.931	3.971	99.182	0.423
13.004	4.481	12.926	4.471	99.177	0.480
13.004	4.979	12.920	4.969	99.161	0.544
13.004	5.481	12.915	5.470	99.127	0.622
13.004	5.980	12.909	5.970	99.106	0.696
13.004	6.481	12.904	6.470	99.070	0.784
13.004	6.979	12.899	6.969	99.044	0.867
13.004	7.480	12.893	7.470	99.008	0.965
13.004	7.981	12.887	7.970	98.969	1.070
13.004	8.481	12.879	8.471	98.917	1.194
13.004	8.982	12.872	8.972	98.871	1.319
13.004	9.483	12.864	9.474	98.824	1.450
13.004	9.985	12.856	9.974	98.753	1.620

The efficiency of the 5-V output is measured with no load at the 3.8-V output. The estimated 22 mA of input current drawn by the 3.8-V circuit with the input at 13 V (or 23 mA with the input at 20 V), and 11 mA by the boost circuit, are subtracted in the calculations. At typical operating conditions, the efficiency is more than 90%.

Similarly, the efficiency of the 3.8-V output is measured with no load at the 5-V output. The estimated 26 mA of input current drawn by the 5-V circuit with the input at 13 V (or 27 mA with the input at 20 V), and 11 mA by the boost circuit, are subtracted in the calculations. At typical operating conditions, the efficiency is more than 90%.

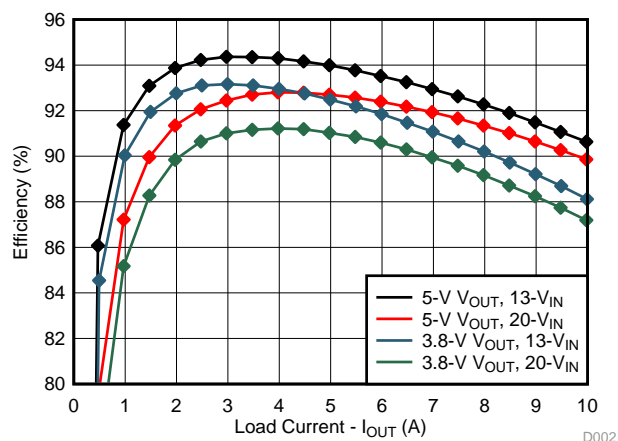


図 33. Buck 5-V and 3.8-V Output Efficiency

表 6. Buck 5-V Output Measurements With Input at 13 V

V _{IN} (V)	I _{IN} (A)		V _{OUT} (V)	I _{OUT} (A)	EFFICIENCY (%)	P _{LOSS} (W)
	MEASURED	CORRECTED				
13.004	0.059	0.026	5.035	0.000	0.000	0.341
13.004	0.244	0.211	5.035	0.469	86.074	0.382
13.004	0.444	0.411	5.035	0.969	91.376	0.460
13.004	0.644	0.611	5.034	1.470	93.091	0.549
13.004	0.846	0.813	5.034	1.972	93.875	0.648
13.004	1.049	1.016	5.034	2.472	94.225	0.763
13.004	1.252	1.219	5.034	2.972	94.363	0.894
13.004	1.457	1.424	5.034	3.472	94.350	1.047
13.004	1.665	1.632	5.034	3.975	94.304	1.209
13.004	1.872	1.839	5.034	4.474	94.163	1.396
13.004	2.082	2.049	5.034	4.975	93.993	1.600
13.004	2.293	2.260	5.034	5.476	93.774	1.830
13.004	2.506	2.473	5.034	5.974	93.522	2.083
13.004	2.720	2.687	5.033	6.474	93.251	2.358
13.004	2.937	2.904	5.033	6.975	92.948	2.664
13.004	3.157	3.124	5.033	7.476	92.628	2.995
13.004	3.378	3.345	5.033	7.975	92.276	3.360
13.004	3.603	3.570	5.033	8.477	91.897	3.762
13.004	3.831	3.798	5.033	8.978	91.490	4.203
13.004	4.061	4.028	5.033	9.477	91.065	4.680
13.004	4.294	4.261	5.033	9.978	90.634	5.189

表 7. Buck 5-V Output Measurements With Input at 20 V

V _{IN} (V)	I _{IN} (A)		V _{OUT} (V)	I _{OUT} (A)	EFFICIENCY (%)	P _{LOSS} (W)
	MEASURED	CORRECTED				
20.499	0.061	0.027	5.035	0.000	0.000	0.557
20.494	0.179	0.145	5.035	0.469	79.431	0.611
20.489	0.307	0.273	5.035	0.970	87.216	0.716
20.301	0.439	0.405	5.035	1.470	89.959	0.826
19.993	0.577	0.543	5.035	1.971	91.349	0.940
19.993	0.710	0.676	5.035	2.471	92.061	1.073
19.993	0.843	0.809	5.034	2.971	92.446	1.222
19.993	0.977	0.943	5.034	3.472	92.706	1.375
19.993	1.112	1.078	5.034	3.974	92.804	1.551
19.993	1.248	1.214	5.034	4.474	92.789	1.750
19.993	1.385	1.351	5.034	4.974	92.701	1.972
19.993	1.523	1.489	5.034	5.476	92.574	2.211
19.993	1.662	1.628	5.034	5.975	92.394	2.476
19.992	1.803	1.769	5.034	6.475	92.177	2.766
19.992	1.944	1.910	5.034	6.973	91.935	3.079
19.992	2.087	2.053	5.034	7.475	91.660	3.424
19.992	2.232	2.198	5.033	7.975	91.343	3.804
19.992	2.379	2.345	5.033	8.476	91.015	4.212
19.992	2.528	2.494	5.033	8.978	90.649	4.662
19.992	2.677	2.643	5.033	9.477	90.270	5.142
19.992	2.830	2.796	5.033	9.978	89.858	5.668

表 8. Buck 3.8-V Output Measurements With Input at 13 V

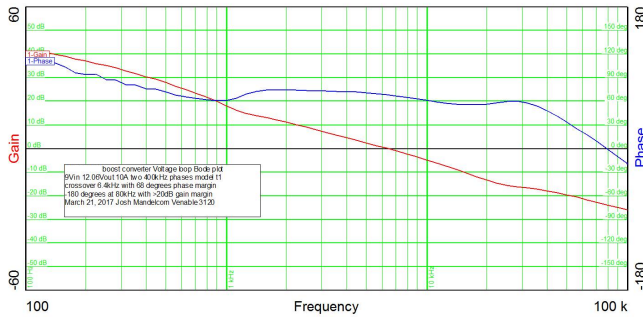
V _{IN} (V)	I _{IN} (A)		V _{OUT} (V)	I _{OUT} (A)	EFFICIENCY (%)	P _{LOSS} (W)
	MEASURED	CORRECTED				
13.333	0.059	0.022	3.821	0.000	0.000	0.294
13.327	0.204	0.167	3.820	0.493	84.545	0.344
13.321	0.353	0.316	3.820	0.993	90.039	0.420
13.314	0.503	0.466	3.820	1.493	91.946	0.500
13.308	0.654	0.617	3.820	1.994	92.763	0.594
13.301	0.806	0.769	3.820	2.493	93.107	0.705
13.295	0.960	0.923	3.820	2.992	93.165	0.838
13.288	1.115	1.078	3.820	3.491	93.107	0.987
13.282	1.272	1.235	3.820	3.994	92.957	1.156
13.275	1.430	1.393	3.819	4.493	92.758	1.340
13.268	1.591	1.554	3.819	4.992	92.486	1.549
13.261	1.753	1.716	3.819	5.493	92.191	1.777
13.254	1.916	1.879	3.819	5.991	91.852	2.030
13.247	2.083	2.046	3.819	6.491	91.468	2.312
13.240	2.250	2.213	3.819	6.989	91.079	2.614
13.233	2.421	2.384	3.819	7.489	90.648	2.950
13.226	2.593	2.556	3.818	7.987	90.208	3.311
13.218	2.770	2.733	3.818	8.488	89.721	3.713
13.211	2.949	2.912	3.818	8.990	89.215	4.149
13.203	3.131	3.094	3.818	9.489	88.692	4.619
13.195	3.317	3.280	3.818	9.989	88.116	5.143

表 9. Buck 3.8-V Output Measurements With Input at 20 V

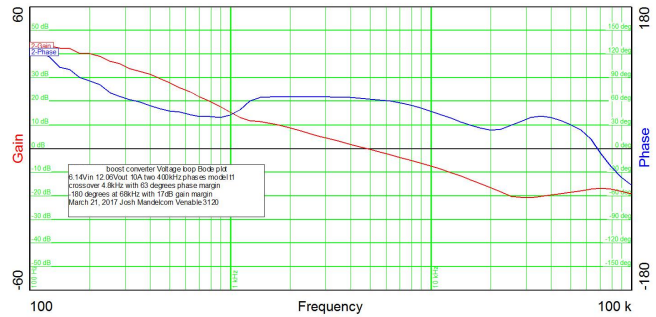
V _{IN} (V)	I _{IN} (A)		V _{OUT} (V)	I _{OUT} (A)	EFFICIENCY (%)	P _{LOSS} (W)
	MEASURED	CORRECTED				
20.499	0.061	0.023	3.821	0.000	0.000	0.475
20.495	0.152	0.114	3.821	0.469	76.528	0.550
20.491	0.250	0.212	3.820	0.970	85.172	0.645
20.487	0.349	0.311	3.820	1.471	88.275	0.746
20.483	0.447	0.409	3.820	1.973	89.843	0.852
20.478	0.547	0.509	3.820	2.473	90.645	0.975
20.474	0.647	0.609	3.820	2.972	91.006	1.122
20.470	0.749	0.711	3.820	3.473	91.161	1.286
20.465	0.851	0.813	3.820	3.975	91.220	1.461
20.461	0.954	0.916	3.819	4.475	91.189	1.651
20.456	1.058	1.020	3.819	4.975	91.030	1.872
20.452	1.164	1.126	3.819	5.477	90.848	2.107
20.447	1.270	1.232	3.819	5.975	90.597	2.368
20.443	1.378	1.340	3.819	6.476	90.300	2.656
20.438	1.487	1.449	3.819	6.974	89.955	2.974
20.433	1.597	1.559	3.819	7.475	89.583	3.319
20.428	1.710	1.672	3.818	7.975	89.171	3.698
20.423	1.824	1.786	3.818	8.476	88.714	4.117
20.418	1.941	1.903	3.818	8.979	88.244	4.567
20.413	2.058	2.020	3.818	9.477	87.741	5.056
20.408	2.179	2.141	3.818	9.977	87.193	5.595

3.2.2.5 Bode Plots

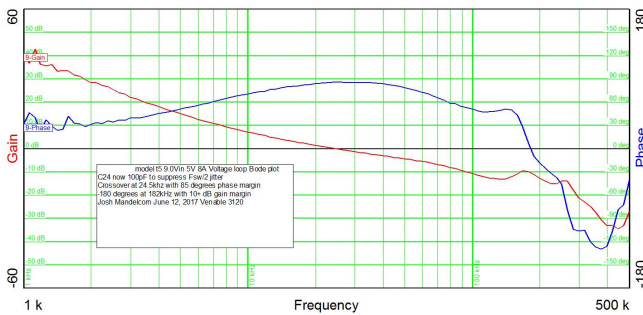
The following figures show the bode plots of the design.



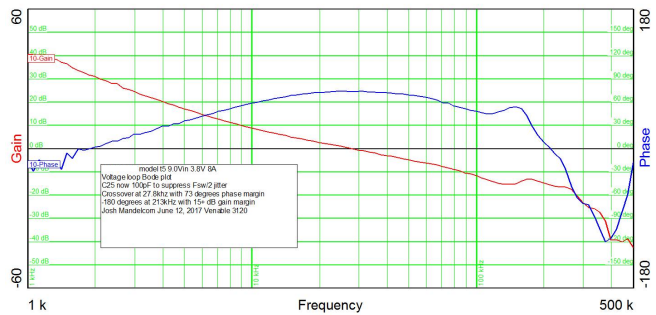
34. Boost 12-V Output Bode Plot With Input at 9 V and Output Current at 10 A



35. Boost 12-V Output Bode Plot With Input at 6 V and Output Current at 10 A



36. Buck 5-V Output Bode Plot With Input at 9 V and Output Current at 8 A



37. Buck 3.8-V Output Bode Plot With Input at 9 V and Output Current at 8 A

3.2.2.6 Thermal Measurements

The temperature of the dual LM25122-Q1 boost controllers is measured at steady state input voltage of 9 V, at the ambient temperature of 25°C. One measurement is done with a combined load of 7 A in free air, and the other is done with a combined load of 10 A with airflow of 2 m/s. The temperature of the hottest LM25122-Q1 is 72°C and 61.3°C, respectively, as shown in [Figure 38](#) and [Figure 39](#).

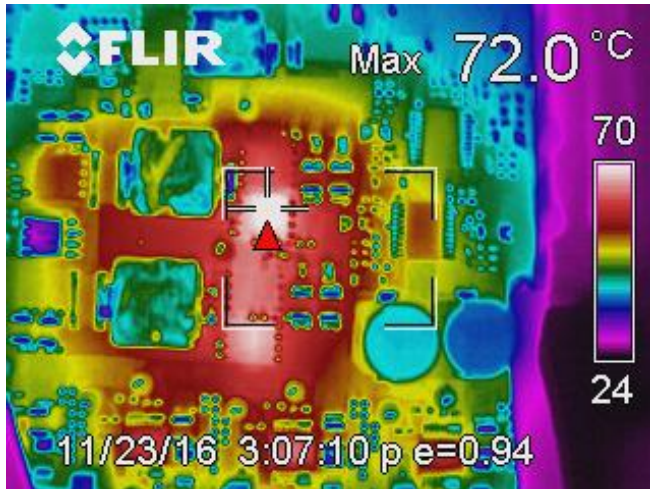


Figure 38. Thermal Measurement of LM25122-Q1 With Output at 7 A

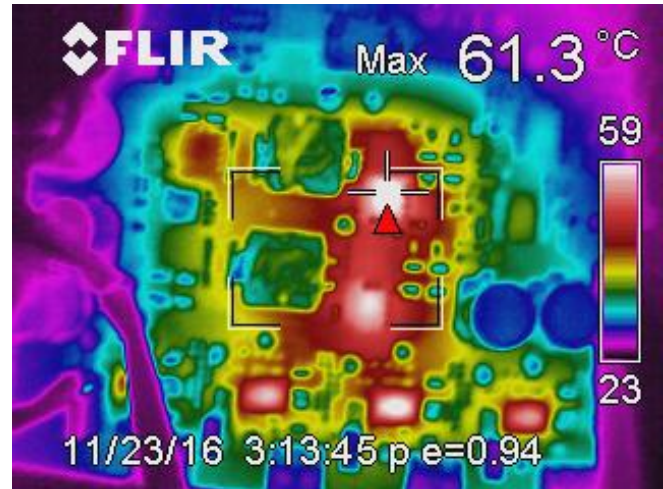


Figure 39. Thermal Measurement of LM25122-Q1 With Output at 10 A

The temperature of the LM5140-Q1 buck controller is measured at steady state input voltage of 20 V, at the ambient temperature of 25°C. The 5-V output is connected to a 5-A load, and the 3.8-V output is connected to a 6.5-A load. Both measurements are taken in free air. The temperature of the LM5140-Q1 is 56.4°C and 66.5°C, respectively, as shown in [Figure 40](#) and [Figure 41](#).

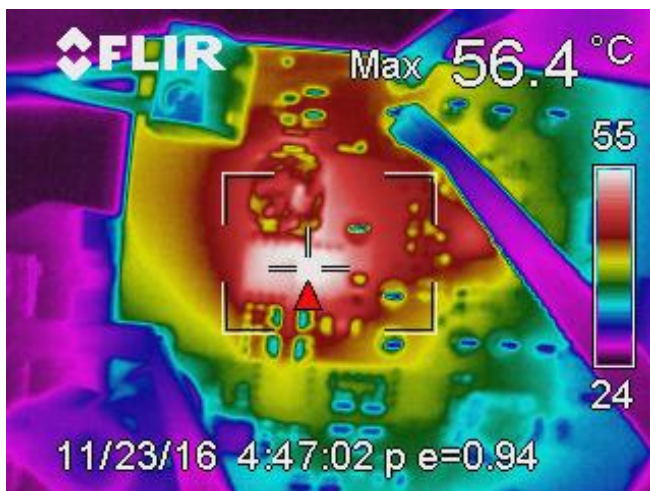


Figure 40. Thermal Measurement of LM5140-Q1 With 5-V Output at 5 A

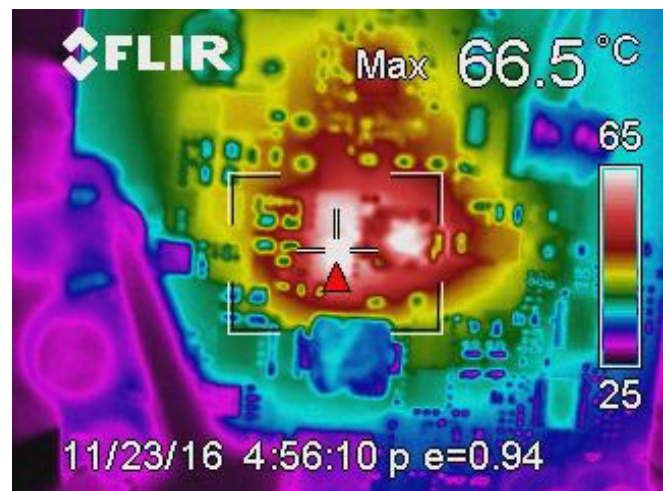


Figure 41. Thermal Measurement of LM5140-Q1 With 3.8-V Output at 6.5 A

4 Design Files

4.1 Schematics

To download the schematics, see the design files at [TIDA-01534](#).

4.2 Bill of Materials

To download the bill of materials (BOM), see the design files at [TIDA-01534](#).

4.3 PCB Layout Recommendations

4.3.1 Layout Prints

To download the layer plots, see the design files at [TIDA-01534](#).

4.4 Altium Project

To download the Altium project files, see the design files at [TIDA-01534](#).

4.5 Gerber Files

To download the Gerber files, see the design files at [TIDA-01534](#).

4.6 Assembly Drawings

To download the assembly drawings, see the design files at [TIDA-01534](#).

5 Related Documentation

1. Texas Instruments, [AN-1889 How to Measure the Loop Transfer Function of Power Supplies](#)

5.1 商標

All trademarks are the property of their respective owners.

TIの設計情報およびリソースに関する重要な注意事項

Texas Instruments Incorporated ("TI")の技術、アプリケーションその他設計に関する助言、サービスまたは情報は、TI製品を組み込んだアプリケーションを開発する設計者に役立つことを目的として提供するものです。これにはリファレンス設計や、評価モジュールに関係する資料が含まれますが、これらに限られません。以下、これらを総称して「TIリソース」と呼びます。いかなる方法であっても、TIリソースのいずれかをダウンロード、アクセス、または使用した場合、お客様(個人、または会社を代表している場合にはお客様の会社)は、これらのリソースをここに記載された目的にのみ使用し、この注意事項の条項に従うことに合意したものとします。

TIによるTIリソースの提供は、TI製品に対する該当の発行済み保証事項または免責事項を拡張またはいかなる形でも変更するものではなく、これらのTIリソースを提供することによって、TIにはいかなる追加義務も責任も発生しないものとします。TIは、自社のTIリソースに訂正、拡張、改良、およびその他の変更を加える権利を留保します。

お客様は、自らのアプリケーションの設計において、ご自身が独自に分析、評価、判断を行う責任がお客様にあり、お客様のアプリケーション(および、お客様のアプリケーションに使用されるすべてのTI製品)の安全性、および該当するすべての規制、法、その他適用される要件への遵守を保証するすべての責任をお客様のみが負うことを理解し、合意するものとします。お客様は、自身のアプリケーションに関して、(1) 故障による危険な結果を予測し、(2) 障害とその結果を監視し、および、(3) 損害を引き起こす障害の可能性を減らし、適切な対策を行う目的での、安全策を開発し実装するために必要な、すべての技術を保持していることを表明するものとします。お客様は、TI製品を含むアプリケーションを使用または配布する前に、それらのアプリケーション、およびアプリケーションに使用されているTI製品の機能性を完全にテストすることに合意するものとします。TIは、特定のTIリソース用に発行されたドキュメントで明示的に記載されているもの以外のテストを実行していません。

お客様は、個別のTIリソースにつき、当該TIリソースに記載されているTI製品を含むアプリケーションの開発に関連する目的でのみ、使用、コピー、変更することが許可されています。明示的または黙示的を問わず、禁反言の法理その他どのような理由でも、他のTIの知的所有権に対するその他のライセンスは付与されません。また、TIまたは他のいかなる第三者のテクノロジーまたは知的所有権についても、いかなるライセンスも付与されるものではありません。付与されないものには、TI製品またはサービスが使用される組み合わせ、機械、プロセスに関連する特許権、著作権、回路配置利用権、その他の知的所有権が含まれますが、これらに限られません。第三者の製品やサービスに関する、またはそれらを参照する情報は、そのような製品またはサービスを利用するライセンスを構成するものではなく、それらに対する保証または推奨を意味するものでもありません。TIリソースを使用するため、第三者の特許または他の知的所有権に基づく第三者からのライセンス、もしくは、TIの特許または他の知的所有権に基づくTIからのライセンスが必要な場合があります。

TIのリソースは、それに含まれるあらゆる欠陥も含めて、「現状のまま」提供されます。TIは、TIリソースまたはその仕様に関して、明示的か暗黙的にかかわらず、他のいかなる保証または表明も行いません。これには、正確性または完全性、権原、続発性の障害に関する保証、および商品性、特定目的への適合性、第三者の知的所有権の非侵害に対する黙示的保証が含まれますが、これらに限られません。

TIは、いかなる苦情に対しても、お客様への弁済または補償を行う義務はなく、行わないものとします。これには、任意の製品の組み合わせに関連する、またはそれらに基づく侵害の請求も含まれますが、これらに限られず、またその事実についてTIリソースまたは他の場所に記載されているか否かを問わないものとします。いかなる場合も、TIリソースまたはその使用に関連して、またはそれらにより発生した、実際の、直接的、特別、付随的、間接的、懲罰的、偶発的、または、結果的な損害について、そのような損害の可能性についてTIが知らされていたかどうかにかかわらず、TIは責任を負わないものとします。

お客様は、この注意事項の条件および条項に従わなかったために発生した、いかなる損害、コスト、損失、責任からも、TIおよびその代表者を完全に免責するものとします。

この注意事項はTIリソースに適用されます。特定の種類の資料、TI製品、およびサービスの使用および購入については、追加条項が適用されます。これには、半導体製品(<http://www.ti.com/sc/docs/stdterms.htm>)、評価モジュール、およびサンプル(<http://www.ti.com/sc/docs/sampterms.htm>)についてのTIの標準条項が含まれますが、これらに限られません。