

デザイン・ガイド: TIDA-050039

単一セル・ソーラー・パネルからのリチウムイオン・バッテリー向け環境発電のリファレンス・デザイン



概要

TIDA-050039 リファレンス・デザインは、高出力電力アプリケーション向けに完全統合型同期整流昇圧コンバータ TPS61089 と単一セル・ソーラー・パネルを使用してリチウムイオン・バッテリーを充電する回路を示しています。最大電力点 (MPP) サンプリング・ネットワークの追加により、入力電圧を動的に制御してソーラー・パネルからの電力伝送を最適化できます。大電流、高効率の昇圧コンバータ TPS61089 を使用することで、リチウムイオン・バッテリーの最大充電電流は 200mA となります。ソリューション全体のコストを削減できます。詳細な設計理論、部品選定、テスト結果についても解説します。

リソース

TIDA-050039	デザイン・フォルダ
TPS61089	プロダクト・フォルダ
LPV321-N	プロダクト・フォルダ
TLV7042	プロダクト・フォルダ
REF3312	プロダクト・フォルダ
CSD25480F3	プロダクト・フォルダ

特長

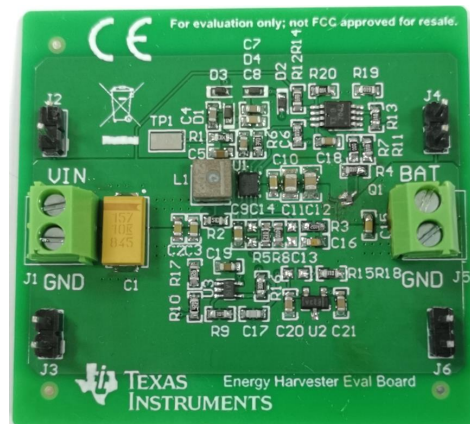
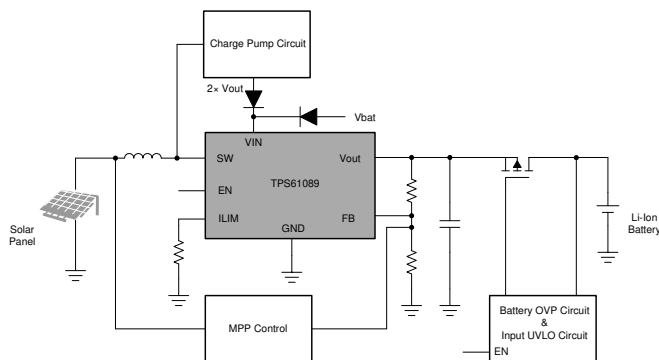
- 低入力電圧範囲で動作: 0.4~0.6V
- 最大電力点 (MPP) を固定
- 最大充電電流: 200mA
- 低コスト
- 簡素で柔軟

アプリケーション

- その他のエネルギー・ハーベスト



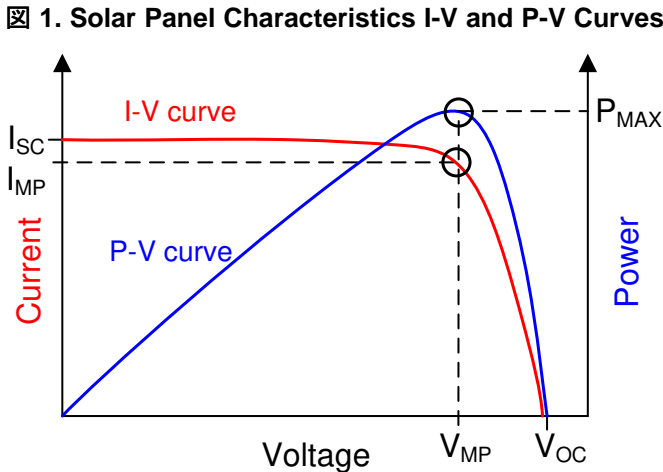
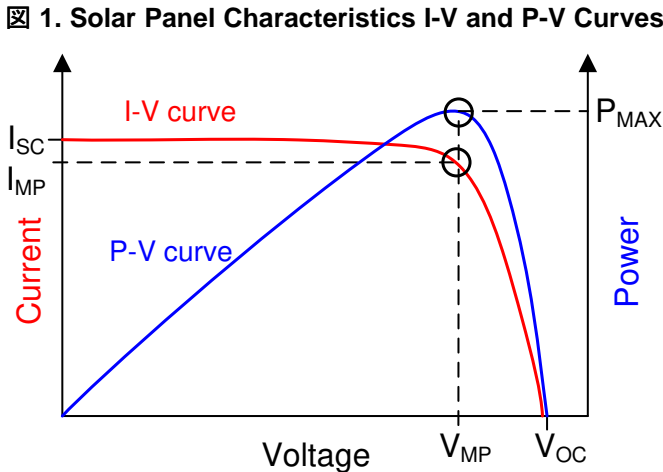
[Search Our E2E™ support forums](#)



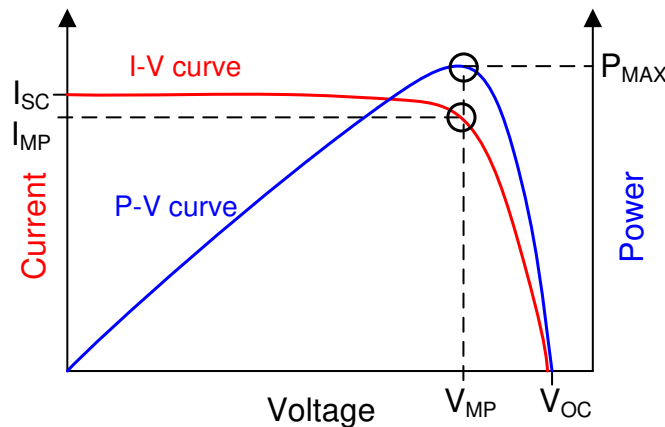
使用許可、知的財産、その他免責事項は、最終ページにあるIMPORTANT NOTICE (重要な注意事項)をご参照くださいようお願いいたします。

1 System Description

In general, the power that can be drawn from a single cell solar panel depends on the physical size, cell numbers in parallel and type of the cell – the smaller the solar size, the less power it can deliver. For some applications, it can be beneficial to use solar cells in series to increase the module output voltage instead of boosting from a single solar cell. However, power of the entire array solar panels in series would be significantly decreased if part of the solar array is shaded or broken. With the development of new, higher power intensity solar cell technology, there is a trend and requirement to extract more power from solar panels in parallel to charge Li-Ion battery.

The power output from a solar panel depends on a few parameters, such as the irradiation received by the panel voltage, panel temperature, and so forth. The power output also varies continuously throughout the day as the conditions affecting it change.  shows the I-V curve and the P-V curve of a solar panel. The I-V curve represents the relationship between the panel output current and its output voltage. The panel current is at the maximum when its terminals are shorted and is at its lowest when the terminals are open and unloaded. As  shows, when solar panel voltage times the panel output current is at the maximum, maximum power P_{max} could be obtained from the solar panel, which is known as maximum power point(MPP).

 1. Solar Panel Characteristics I-V and P-V Curves



1.1 Key System Specifications

表 1 gives the performance specification of the TIDA-050039 reference design. The maximum battery charging current is up to 200 mA.

表 1. Key System Specifications

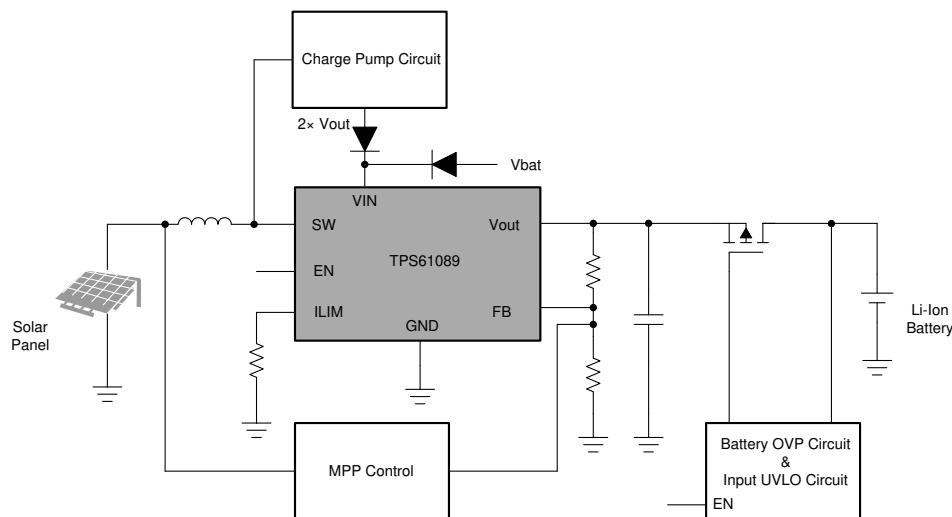
PARAMETER	DESCRIPTION
Solar panel voltage range	0.4 V - 0.55 V
Fixed MPP voltage	0.45 V
Li-Ion battery voltage range	3.0 V - 4.2 V
Li-Ion battery charging current	200 mA maximum

2 System Overview

2.1 Block Diagram

図 2 shows the block diagram of TIDA-050039. Since the boost converter TPS61089 input voltage undervoltage lockout (UVLO) rising threshold is 2.7 V, Li-Ion battery voltage could be used as input voltage of TPS61089 assumed Li-Ion battery minimum voltage is higher than 3.0 V. Once it starts up and keeps switching, the discrete charge pump circuit outputs a $2 \times V_{out}$ voltage to supply Vin pin in order to decrease TPS61089 R_{dson} , therefore efficiency is increased. Energy is obtained from solar panel and stepped up to charge a Li-Ion battery with MPP control.

図 2. TIDA-050039 Block Diagram



2.2 Design Considerations

The reference design features the TPS61089, LPV321-N, TLV7042, REF3312, and CSD25480F3. The following subsections briefly summarize the key performance of each device. To find more information about each device, see their respective data sheets at TI.com.

2.3 Highlighted Products

2.3.1 TPS61089

The TPS61089x is a fully-integrated synchronous boost converter with a 19-m Ω main power switch and a 27-m Ω rectifier switch. The device provides a high efficiency and small size power solution for portable equipment. The TPS61089x has 7-A continuous switch current capability and provides output voltage up to 12.6 V. The TPS61089x uses adaptive constant off-time peak current control topology to regulate the output voltage. In moderate to heavy load condition, the TPS61089 works in the pulse width modulation (PWM) mode. In light load condition, the TPS61089 works in the pulse frequency modulation (PFM) mode to improve the efficiency.

- Input Voltage Range: 2.7 V to 12 V
- Adjustable Switching Frequency: 200kHz to 2.2MHz
- 4-ms Built-in Soft Start Time
- PFM Operation Mode at Light Load

- Thermal Shutdown
- 2.00-mm × 2.50 mm VQFN Hotrod Package

2.3.2 LPV321-N

LPV321-N is a lower power op amps and is the most cost effective solutions for the applications where low voltage, low power application, space saving and low price are needed. It has rail-to-rail output swing capability and the input common-mode voltage range includes ground. They all exhibit excellent speed-power ratio, achieving 152kHz of bandwidth with a supply current of only 9uA.

- Space-Saving Package
- Gain-Bandwidth Product: 152kHz
- Low Supply Current

2.3.3 TLV7042

The TLV7042 is low-voltage, nanoPower comparators. It's offer an excellent combination of speed and power, with a propagation delay of 3 μ s and a quiescent supply current of 315 nA. The benefit of fast response time at nanoPower enables power-conscious systems to monitor and respond quickly to fault conditions. With an operating voltage range of 1.6 V to 6.5 V, these comparators are compatible with 3-V and 5-V systems.

- Wide supply voltage range of 1.6 V to 6.5 V
- Quiescent supply current of 315 nA
- Low propagation delay of 3 us
- Internal hysteresis

2.3.4 REF3312

The REF33xx is a low-power, precision, low-dropout voltage reference family available in tiny SC70-3 and SOT-23-3 packages, and in a 1.5-mm × 1.5-mm UQFN-8 package. Small size and low power consumption (5- μ A max) make the REF33xx ideal for a wide variety of portable and battery-powered applications.

The REF33xx can be operated at a supply voltage 180 mV above the specified output voltage under normal load conditions, with the exception of the REF3312, which has a minimum supply voltage of 1.7 V. All models are specified for the wide temperature range of -40°C to $+125^{\circ}\text{C}$.

- Low supply current
- Low temperature shift: 30 ppm/ $^{\circ}\text{C}$ (max)
- High initial accuracy: $\pm 0.15\%$ (max)
- 0.1-Hz to 10-Hz Noise: 35 uVpp

2.3.5 CSD25480F3

This -20-V , 110-m Ω , P-Channel FemtoFET™ MOSFET is designed and optimized to minimize the footprint in many handheld and mobile applications. This technology is capable of replacing standard small signal MOSFETs while providing a substantial reduction in footprint size.

- Low on-resistance
- Ultra-low Q_g and Q_{gd}

- Ultra-small footprint
- Low profile
- Integrated ESD protection diode

2.4 System Design Theory

The entire schematic of TIDA-050039 can be found in the TIDA-050039 design folder. The following subsections explain the behavior of each sub circuit.

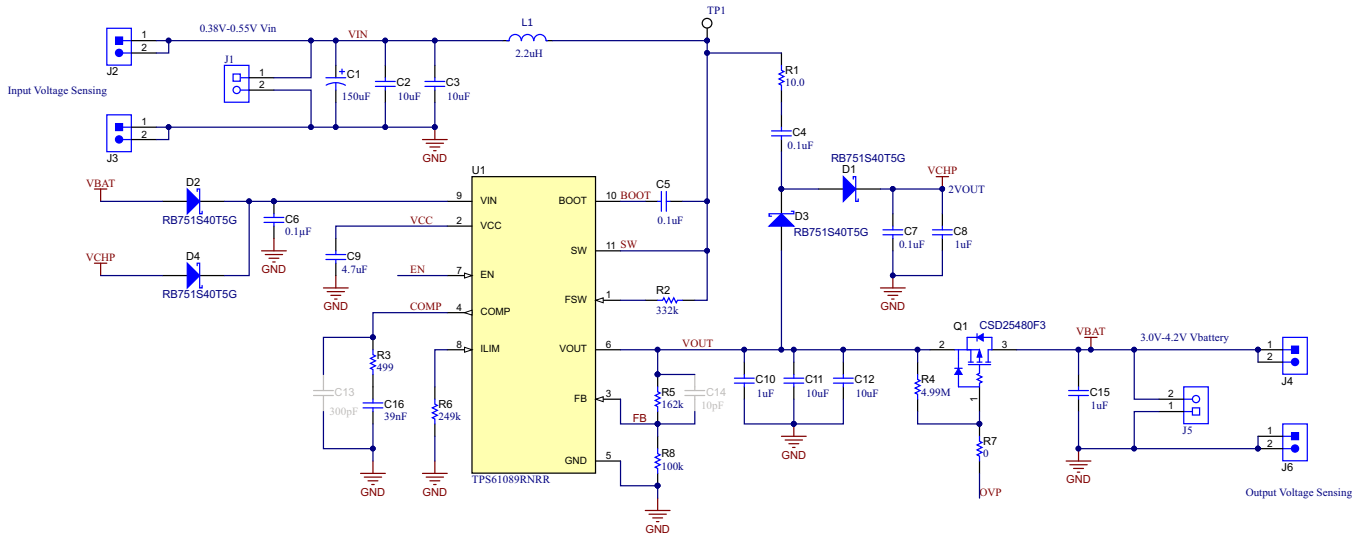
2.4.1 Boost Converter Solution

Figure 3 shows the TPS61089 boost converter, which is main circuit of TIDA-050039. Most of the external components are selected based on the suggestion in the data sheet. TPS61089 operates at a quasi-constant frequency pulse width modulation (PWM) in moderate to heavy load condition. Based on the V_{in} to V_{out} ratio, a circuit predicts the required off-time of the switching cycle. In light load condition, the TPS61089 implements PFM mode to improve the efficiency.

V_{BAT} supplies TPS61089 V_{in} pin through diode D2 at startup because TPS61089 input pin UVLO threshold is 2.7 V. After TPS61089 starts switching, V_{OUT} regulates equaling to Li-Ion battery voltage. The discrete charge pump circuit (composed of C4, D1, D3, C7, C8) output voltage V_{CHP} is twice of V_{out} . Once V_{CHP} is stable, diode D4 conducts so that V_{CHP} supplies TPS61089 V_{IN} pin. By doing so, TPS61089 high & low side MOSFET on-resistance would be decreased so that boost converter efficiency increases. With the external power supply for TPS61089 V_{IN} pin, the boost converter is able to keep working at power V_{in} down to 0.4 V.

The P-channel MOSFET Q1 is turned off when OVP signal is high to protect Li-Ion battery from over charging. Possible maximum output current depends on the input-to-output voltage ratio. This circuit provides output current up to 200 mA.

図 3. TPS61089 Boost Converter



2.4.2 Fixed MPP Circuit

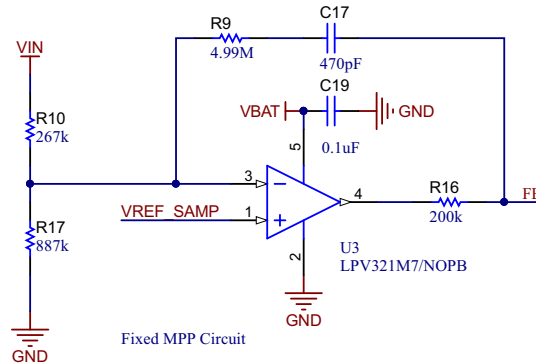
Due to the high conversion ratio which is necessary to boost from 0.4 V to 0.55 V to a suitable supply voltage for Li-ion battery up to 4.2 V, the input current is increasing as high as possible. Without additional control, the output voltage of the solar panel collapses. The DC-DC converter basically shorts the solar panel because it tries to draw enough current to maintain its output voltage. This current may be more than the solar panel can provide.

To dynamically control the input current, the additional MPP circuit is added shown in 図 4. The low-power-consuming operational amplifier is powered by the Li-Ion battery. The operational amplifier output is connected to the feedback pin of TPS61089 to control the output voltage of converter depending on the input voltage of solar panel. The reference voltage V_{REF_SAMP} is generated by REF3312 in 図 5.

During steady-state conditions, the input current is proportional to the output current by the conversion ratio set by the output voltage divider. With lower input current, the MPP circuit reduces the set output voltage to a much lower value by injecting current into the feedback node. As the converter output voltage is reduced, input current is also reduced. This decreases the current pulled from the solar panel and solar panel voltage will then increase according to its I-V curve.

To keep the circuit easy, TIDA-050039 implements a fixed MPP voltage 0.45 V, approximately 0.8 times solar panel voltage at no load. The fixed MPP point could be adjusted based on solar panel type.

図 4. Fixed MPP Circuit



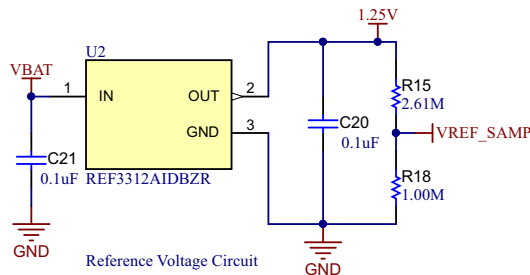
2.4.3 Reference Voltage Circuit

図 5 shows the TIDA-050039 reference voltage circuit. REF3312 is a low-power, precision, low-dropout voltage reference. It outputs 1.25 V at output. By configuring resistor dividers R15 and R18, the reference voltage V_{REF_SAMP} can be calculated using 式 1.

$$V_{REF_SAMP} = 1.25V \times \frac{R_{18}}{R_{20} + R_{18}} \quad (1)$$

Here select R15 as 2.61 MΩ and R18 as 1.00 MΩ to establish a 0.346 V DC voltage as MPP circuit and input UVLO circuit reference voltage.

図 5. Reference Voltage Circuit



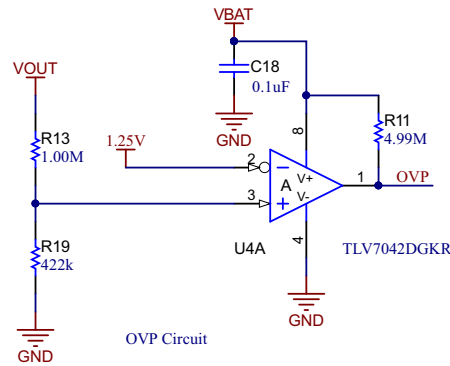
2.4.4 Battery OVP Circuit

図 6 shows the TIDA-050039 battery OVP circuit. TLV7042 is a dual-channel nanoPower comparator. By configuring resistors R13 and R19, the OVP threshold can be calculate using 式 2.

$$V_{OVP} = 1.25V \times \frac{R_{13} + R_{19}}{R_{19}} \quad (2)$$

By selecting R13 as 1 MΩ and R19 as 422 kΩ, the OVP threshold is set to 4.212 V. Once TPS61089 output voltage is higher than 4.212 V, OVP signal will be high to turn off P-channel MOSFET Q1 to protect Li-Ion battery from over charging.

図 6. Battery OVP Circuit



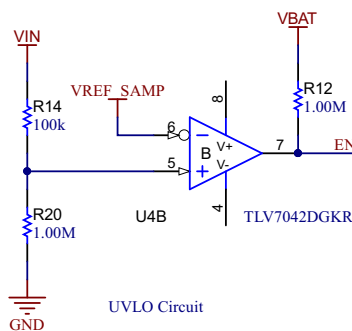
2.4.5 Input Voltage UVLO Comparator Circuit

図 7 shows the TIDA-050039 input UVLO comparator circuit. When detecting input voltage of solar panel is less than a certain voltage or disconnected, TPS61089 boost converter will be disabled in order to save energy. The input voltage UVLO threshold can be calculated using 式 3

$$V_{IN_UVLO} = 0.346V \times \frac{R_{14} + R_{20}}{R_{20}} \tag{3}$$

The input voltage UVLO threshold here is 0.381V by selecting 100 kΩ for R14 and 1.00 MΩ for R20.

図 7. Input Voltage UVLO Comparator Circuit



3 Hardware, Software, Testing Requirements, and Test Results

3.1 Required Hardware and Software

3.1.1 Hardware

This reference design uses the following hardware to do the measurement:

- Two-Source Meter
- Two DMM
- One digital oscilloscope

3.2 Testing and Results

3.2.1 Test Setup

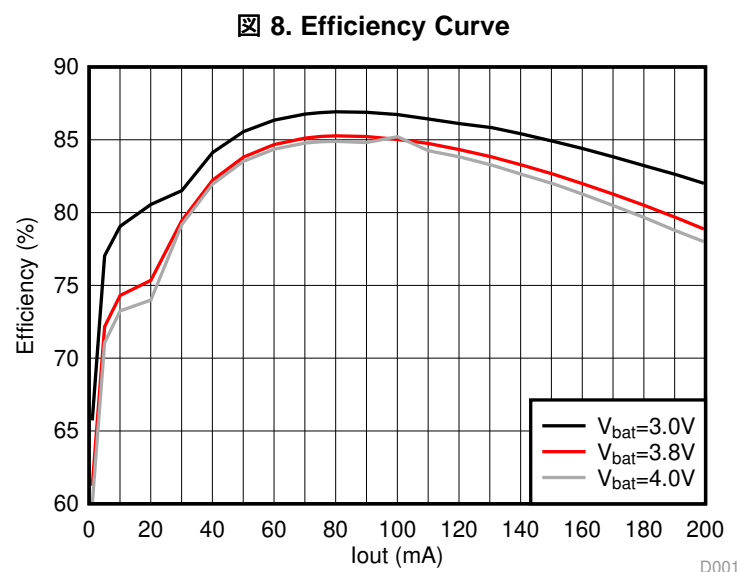
This section describes how to properly connect the setup of the TIDA-050039.

- Vin is connected to source meter SM1 configured as a current source with voltage compliance (clamp) set to the open circuit voltage 0.6V. The source meter SM1 simulates the solar panel behavior
- Vout is connected to source meter SM2 configured as a voltage source set to the battery voltage. The current sunk by the source meter was the output current of the charger. SM2 simulates the Li-Ion battery.
- Turn on the source meter SM2 to start up the boost converter.
- Turn on the source meter SM1.

3.2.2 Test Results

3.2.2.1 Efficiency Curve

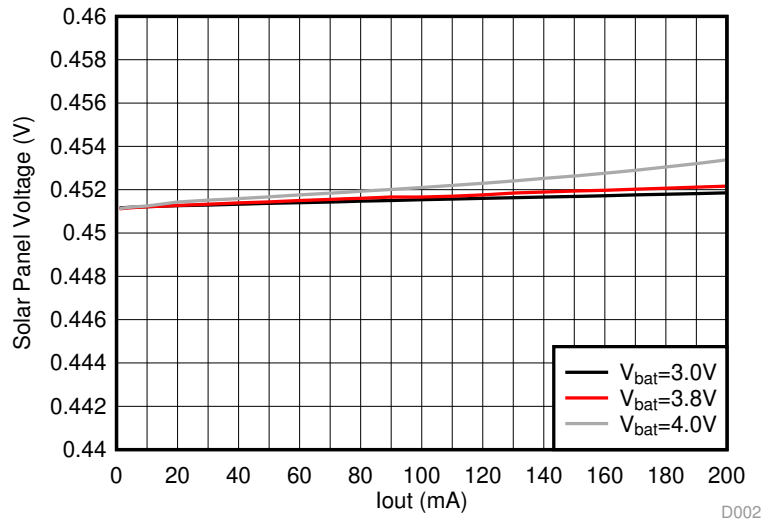
The efficiency curve is shown in [Figure 8](#) at different battery voltages.



3.2.2.2 Input Voltage VS Charging Current Curve

The solar panel input voltage VS charging current curve is shown in [Figure 9](#). Solar panel is regulated at a fixed 0.45V MPP point at different charging current conditions.

図 9. Input Voltage VS Charging Current Curve



3.2.2.3 Steady State Waveform

図 10 and 図 11 show the steady state waveform in 1 A and 2 A input current conditions separately. Solar panel voltage regulates at 0.45V with 1 A and 2 A input current.

図 10. Steady State at V_{bat} = 3.6 V, I_{in} = 1 A

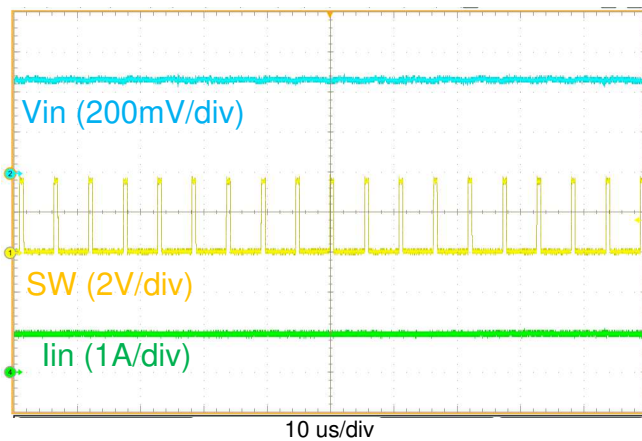
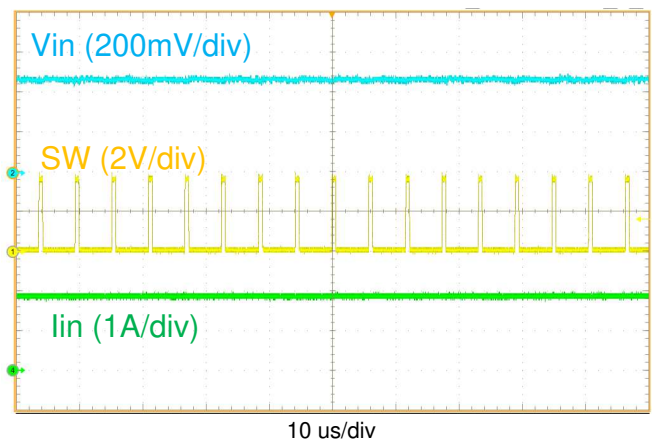


図 11. Steady State Waveform at V_{bat} = 3.6 V, I_{in} = 2 A



3.2.2.4 Startup and Shutdown Waveform

図 12 shows the startup waveform when battery voltage is 3.6 V and input current is 2 A. 図 13 shows the shutdown waveform when battery voltage is 3.6 V and input current is 2 A.

図 12. Startup Waveform at $V_{bat} = 3.6\text{ V}$, $I_{in} = 2\text{ A}$

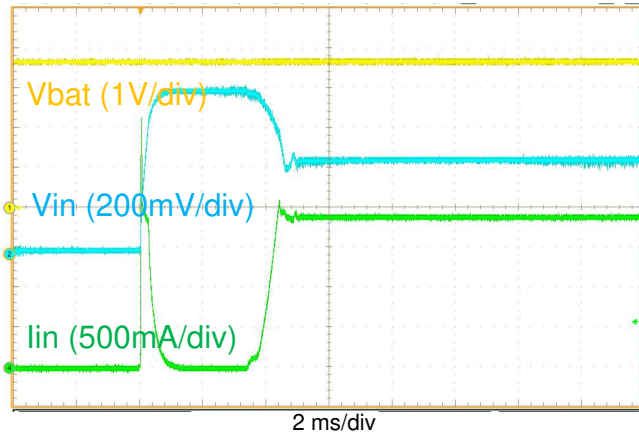
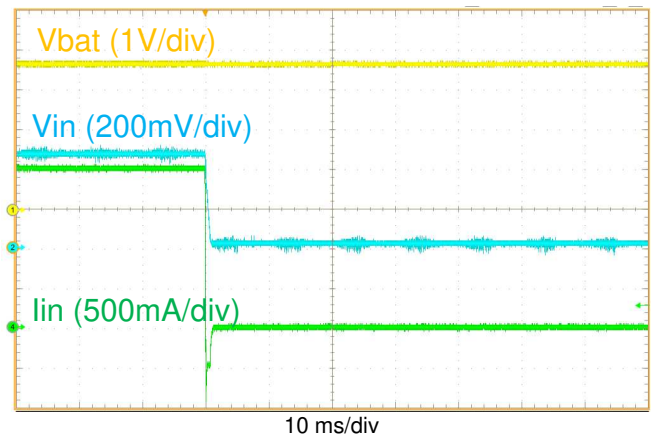


図 13. Shutdown Waveform at $V_{bat} = 3.6\text{ V}$, $I_{in} = 2\text{ A}$



3.2.2.5 Input Current Transient Waveform

図 14 and 図 15 show the input current transient waveform from 0.2 A to 1.2 A and from 1.2 A to 0.2 A separately. 図 16 and 図 17 show the input current transient waveform from 1.2 A to 2.2 A and from 2.2 A to 1.2 A separately. The solar panel voltage will regulate at fixed 0.45 V when input current transient happens.

図 14. Input Current Transient Waveform from 0.2 A to 1.2 A

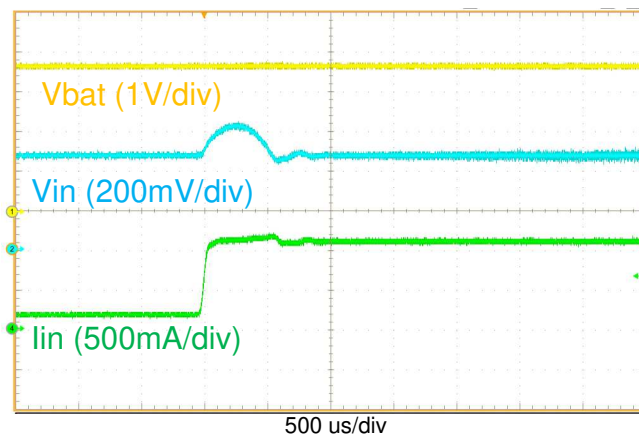


図 15. Input Current Transient Waveform from 1.2 A to 0.2 A

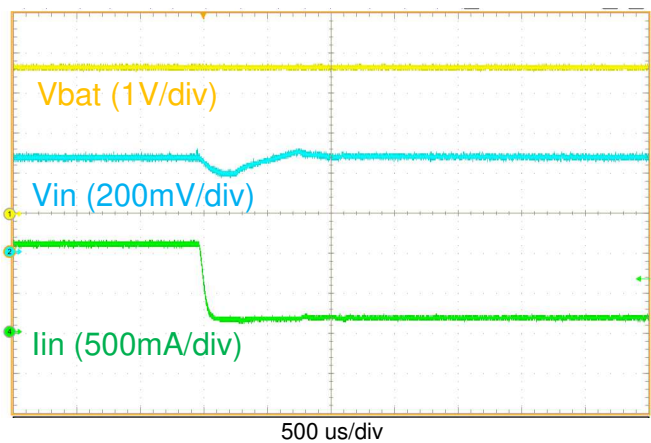


図 16. Input Current Transient from 1.2 A to 2.2 A

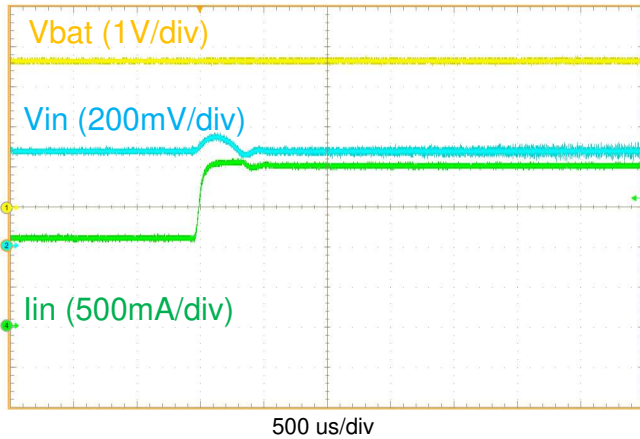
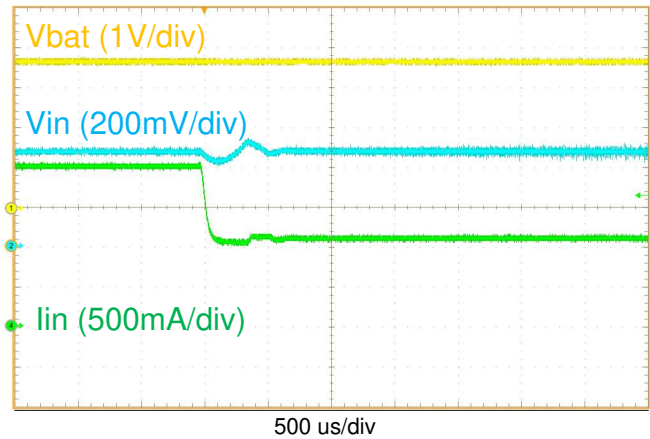


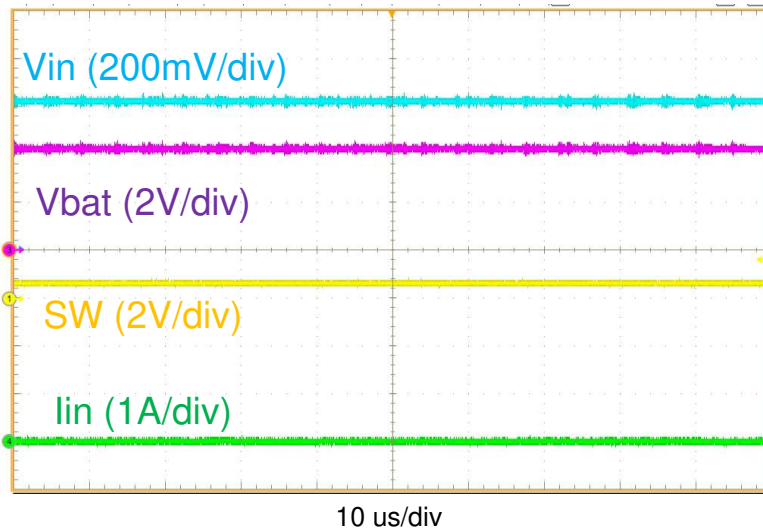
図 17. Input Current Transient from 2.2 A to 1.2 A



3.2.2.6 Battery OVP Waveform

図 18 shows the battery voltage OVP waveform when battery voltage is 4.25V. When battery over voltage protection triggers, P-channel MOSFET is turned off and Boost converter stops switching.

図 18. OVP Waveform at $V_{bat} = 4.25\text{ V}$



3.2.2.7 Thermal Picture

図 19 shows the thermal condition when Li-Ion battery voltage is 3.0 V and input current is 2 A. 図 20 shows the thermal condition when Li-Ion battery voltage is 3.8 V and input current is 2 A. The picture were captured with no airflow.

図 19. Thermal Picture at $V_{bat} = 3.0\text{ V}$, $I_{in} = 2\text{ A}$

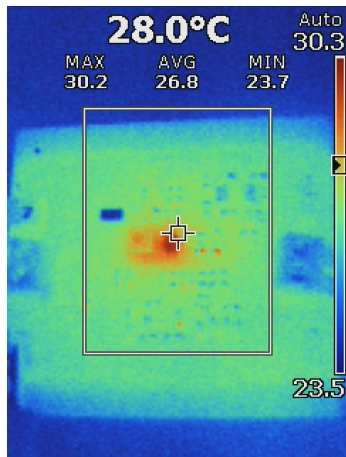
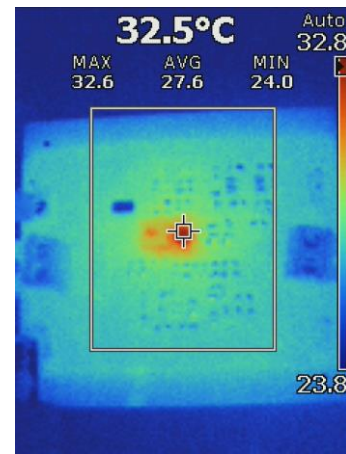


図 20. Thermal Picture at $V_{bat} = 3.8\text{ V}$, $I_{in} = 2\text{ A}$



4 Design Files

4.1 Schematics

To download the schematics, see the design files at [TIDA-050039](#).

4.2 Bill of Materials

To download the bill of materials (BOM), see the design files at [TIDA-050039](#).

4.3 PCB Layout Recommendations

4.3.1 Layout Prints

To download the layer plots, see the design files at [TIDA-050039](#).

4.4 Altium Project

To download the Altium Designer® project files, see the design files at [TIDA-050039](#).

4.5 Gerber Files

To download the Gerber files, see the design files at [TIDA-050039](#).

4.6 Assembly Drawings

To download the assembly drawings, see the design files at [TIDA-050039](#).

5 Software Files

To download the software files, see the design files at [TIDA-050039](#).

6 Related Documentation

1. [TPS61089x 12.6-V, 7-A Fully-Integrated Synchronous Boost Converters in 2.0-mm x 2.5-mm VQFN Package](#)

6.1 商標

E2E is a trademark of Texas Instruments.

Altium Designer is a registered trademark of Altium LLC or its affiliated companies.

すべての商標および登録商標はそれぞれの所有者に帰属します。

6.2 Third-Party Products Disclaimer

TI'S PUBLICATION OF INFORMATION REGARDING THIRD-PARTY PRODUCTS OR SERVICES DOES NOT CONSTITUTE AN ENDORSEMENT REGARDING THE SUITABILITY OF SUCH PRODUCTS OR SERVICES OR A WARRANTY, REPRESENTATION OR ENDORSEMENT OF SUCH PRODUCTS OR SERVICES, EITHER ALONE OR IN COMBINATION WITH ANY TI PRODUCT OR SERVICE.

重要なお知らせと免責事項

TI は、技術データと信頼性データ(データシートを含みます)、設計リソース(リファレンス・デザインを含みます)、アプリケーションや設計に関する各種アドバイス、Web ツール、安全性情報、その他のリソースを、欠陥が存在する可能性のある「現状のまま」提供しており、商品性および特定目的に対する適合性の黙示保証、第三者の知的財産権の非侵害保証を含むいかなる保証も、明示的または黙示的にかかわらず拒否します。

これらのリソースは、TI 製品を使用する設計の経験を積んだ開発者への提供を意図したものです。(1) お客様のアプリケーションに適した TI 製品の選定、(2) お客様のアプリケーションの設計、検証、試験、(3) お客様のアプリケーションに該当する各種規格や、その他のあらゆる安全性、セキュリティ、規制、または他の要件への確実な適合に関する責任を、お客様のみが単独で負うものとし、

上記の各種リソースは、予告なく変更される可能性があります。これらのリソースは、リソースで説明されている TI 製品を使用するアプリケーションの開発の目的でのみ、TI はその使用をお客様に許諾します。これらのリソースに関して、他の目的で複製することや掲載することは禁止されています。TI や第三者の知的財産権のライセンスが付与されている訳ではありません。お客様は、これらのリソースを自身で使用した結果発生するあらゆる申し立て、損害、費用、損失、責任について、TI およびその代理人を完全に補償するものとし、TI は一切の責任を拒否します。

TI の製品は、[TI の販売条件](#)、または [ti.com](https://www.ti.com) やかかる TI 製品の関連資料などのいずれかを通じて提供する適用可能な条項の下で提供されています。TI がこれらのリソースを提供することは、適用される TI の保証または他の保証の放棄の拡大や変更を意味するものではありません。

お客様がいかなる追加条項または代替条項を提案した場合でも、TI はそれらに異議を唱え、拒否します。

郵送先住所：Texas Instruments, Post Office Box 655303, Dallas, Texas 75265

Copyright © 2022, Texas Instruments Incorporated