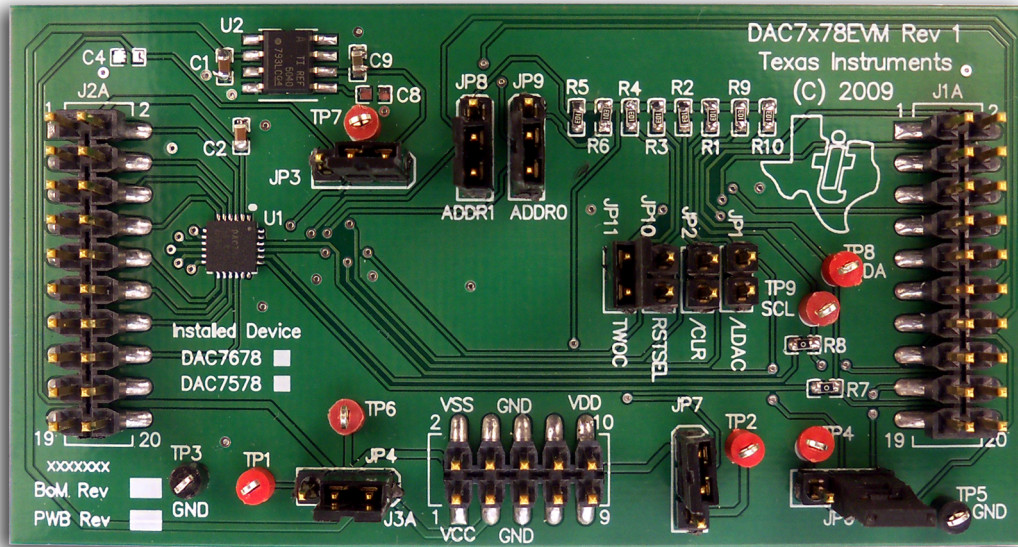


DAC7678EVM User's Guide



DAC7678EVM

This user's guide describes the characteristics, operation, and use of the DAC7678EVM. The evaluation model (EVM) is an evaluation board for the [DAC7678](#). The DAC7678 is a low-power, voltage-output, octal, 12-bit digital-to-analog converter (DAC). The converter is controlled by an I²C™ interface that can operate at clock rates of up to 3.4MHz. Additionally, this DAC includes a 2.5V internal reference voltage (disabled by default), giving a full-scale output range of 5V. The EVM allows evaluation of all aspects of the device and allows user control over every pin on the DAC7678. Complete circuit descriptions, schematic diagrams, and bills of material are included in this document.

The following related documents are available for download through the Texas Instruments web site at <http://www.ti.com>.

EVM-Related Device Data Sheets

Device	Literature Number
DAC7678	SBAS493
REF5040	SBOS410D

I²C is a trademark of NXP Semiconductors.
All other trademarks are the property of their respective owners.

Contents

1	EVM Overview	3
2	Analog Interface	3
3	Digital Interface	4
4	Power Supplies	5
5	Voltage Reference	6
6	EVM Operation	7
7	Schematics and Layout	9

List of Figures

1	Reference Selection Jumper JP3 and Test Point TP7	6
2	DAC7678EVM Default Jumper Locations	8
3	DAC7678EVM: Top Layer Image	10
4	DAC7678EVM: Bottom Layer Image	10

List of Tables

1	J1: Analog Interface Pinout	3
2	J2: Serial Interface Pins	4
3	J3 Configuration: Power-Supply Input	5
4	DAC7678EVM Jumpers	7
5	Bill of Materials	9

1 EVM Overview

1.1 Features

DAC7678EVM:

- Full-featured evaluation board for the DAC7678
- Onboard optional external reference selection
- Wide selection of digital and I/O voltages
- Hardware or software control of control logic
- Compatible with the TI Modular EVM System

This manual covers the operation of the DAC7678EVM. Throughout this document, the abbreviation *EVM* and the term *evaluation module* are synonymous with the DAC7678EVM.

1.2 Introduction

The DAC7678 is a 12-bit, low-power, octal digital-to-analog converter (DAC) that operates from a single AV_{DD} supply. The DAC includes a 2.5V internal reference (disabled by default), giving a full-scale output voltage range of 5V. The DAC7678 is controlled by a two-wire I²C interface (allowing speeds up to 3.4MHz) to communicate with a DSP or a microprocessor using a compatible interface. The DAC7678 has programmable address pins to set a custom I²C communication address. This option allows you to use multiple devices on the same bus without having address conflicts.

The DAC7678EVM is designed to give the user access to all pins on the DAC7678. The evaluation module allows the user to control the DAC logic using on board jumpers, or digitally through the J2 header. By default, the evaluation module is configured to be used with an onboard external reference, but can be easily modified to use the DAC internal reference by changing a jumper setting and enabling the internal reference using software.

The DAC7678EVM is an evaluation module built to the TI Modular EVM System specification. It can be connected to any modular EVM system interface card.

Note that the DAC7678EVM has no microprocessor and cannot run software. To connect it to a computer, some type of interface is required.

2 Analog Interface

For maximum flexibility, the DAC7678EVM can interface to multiple analog sources. Samtec part numbers SSW-110-22-F-D-VS-K and TSM-110-01-T-DV-P provide a 10-pin, dual-row, header at J1. This header provides access to the analog input and output pins of the DAC7678. Consult Samtec at <http://www.samtec.com> or call 1-800-SAMTEC-9 for a variety of mating connector options. [Table 1](#) summarizes the pinouts for analog interface J1A.

Table 1. J1: Analog Interface Pinout

Pin Number	Signal	Description
J1.2	V_{OUTA}	Analog output channel A
J1.4	V_{OUTC}	Analog output channel C
J1.6	V_{OUTE}	Analog output channel E
J1.8	V_{OUTG}	Analog output channel G
J1.10	V_{OUTH}	Analog output channel H
J1.12	V_{OUTF}	Analog output channel F
J1.14	V_{OUTD}	Analog output channel D
J1.16	V_{OUTB}	Analog output channel B
J1.18	N/A	—
J1.20	V_{REFIN}/V_{REFOUT}	External reference source input for V_{REFIN}/V_{REFOUT}
J1.9-1.13 (odd)	GND	Analog ground connection

Table 1. J1: Analog Interface Pinout (continued)

Pin Number	Signal	Description
J1.17-1.19 (odd)	GND	Analog ground connection
J1.1-1.7 (odd)	N/A	—
J1.15	N/A	—

The analog interface is populated on both the top and the bottom sides of the evaluation board. All of the output pins of the DAC7678 are routed directly to the J1 connector.

The GND pins of the DAC7678 are connected directly to the ground of the evaluation board.

The DAC7678EVM is designed to allow the user to choose from using the DAC7678 internal reference, the onboard 4.096V REF5040, or a user-supplied external reference source for the DAC7678. Depending on how the DAC7678 is configured, pin J1.20 is either an input or an output. If the DAC7678 internal reference is used, then J1.20 is the output of the V_{REFIN}/V_{REFOUT} pin on the DAC7678. If an external reference is used, other than the onboard REF5025, J1.20 is used to provide the external reference voltage.

3 Digital Interface

3.1 I²C Interface

Samtec part numbers SSW-110-22-F-D-VS-K and TSM-110-01-T-DV-P provide a 10-pin, dual-row, header/socket combination at J2. This header/socket provides access to the digital control and I²C data pins from both J2A (top side) and J2B (bottom side) of the connector. Consult Samtec at <http://www.samtec.com> or call 1-800-SAMTEC-9 for a variety of mating connector options. Table 2 describes the I²C interface pins.

Table 2. J2: Serial Interface Pins

Pin No.	Signal Name	I/O Type	Pull-Up	Function
J2.1 - J2.13 odd	Unused			
J2.2	\overline{CLR}	In	High	DAC7678 \overline{CLR} signal
J2.4	DGND	In/Out	None	Digital ground
J2.6	RSTSEL	In	High	Reset select
J2.8	TWOC	In	High	Data format for DAC input
J2.10	DGND	In/Out	None	Digital ground
J2.12	ADDR0	In	None	DAC7678 ADDR0 signal
J2.14	ADDR1	In	None	DAC7678 ADDR1 signal
J2.15	$\overline{LDAC1}$	In	High	DAC7678 \overline{LDAC} signal. Switch JP6 determines \overline{LDAC} control pin
J2.16	SCL	In	High	I ² C SCL line
J2.17	$\overline{LDAC2}$	In	High	DAC7678 \overline{LDAC} signal. Switch JP6 determines \overline{LDAC} control pin
J2.18	DGND	In/Out	None	Digital ground
J2.19	Unused	—	—	—
J2.20	SDA	In/Out	High	I ² C SDA line

The DAC7678 is controlled by a two-wire serial interface that is I²C-compatible. Pins J2.16 (SCL) and J2.20 (SDA) are connected directly to the two control pins on the DAC7678 through 0 Ω resistors. When the bus is idle, both the SDA and SCLK lines are pulled high through 10k Ω resistors built onto the EVM.

Pins J2.2, J2.6, J2.8, J2.15, and J2.17 have weak pull-up/pull-down resistors. These resistors provide default settings for many of the control pins. These signals can be controlled through the digital interface or jumpers found directly on the EVM. By default, these signals are pulled high through 10k Ω resistors. The J2 header can be used to access these pins. See the [DAC7678 product data sheet](#) for complete details on these pins.

Pins J2.12 and J2.14 control the ADDR0 and ADDR1 pins to set the I²C address for the DAC. Individually, the ADDR0 and ADDR1 address pins can be set to one of three positions: pulled high to AVDD, tied to ground, or left floating. The ADDR0 and ADDR1 pins can be controlled using the EVM hardware via JP8 and JP9 or through software using the J2 header.

The Load DAC ($\overline{\text{LDAC}}$) pin is connected via jumper JP6 to either the J2.15 or J2.17 pin. Updating the DAC7678 registers can be completed in two different ways. The $\overline{\text{LDAC}}$ pin can be held low and the input registers update immediately. Alternatively, $\overline{\text{LDAC}}$ can be held high and the DAC7678 registers update when $\overline{\text{LDAC}}$ is taken low. By default, $\overline{\text{LDAC}}$ is pulled high through a 10k Ω resistor. A shunt can be placed across jumper JP1 to connect $\overline{\text{LDAC}}$ to ground. See the [DAC7678 product data sheet](#) for more information on how to update the DAC7678 registers.

4 Power Supplies

J3 is the power-supply input connector. [Table 3](#) lists the configuration details for J3. The voltage inputs to the DAC can be applied directly to the device. The DAC7678 requires only one power supply to operate.

Table 3. J3 Configuration: Power-Supply Input

Pin No.	Pin Name	Function	Required
J3.1	+VA	+VA analog supply	No
J3.2	-VA	-VA analog supply	No
J3.3	+5VA	+5V analog supply	Yes
J3.4	-5VA	-5V analog supply	No
J3.5	DGND	Digital ground input	Yes
J3.6	AGND	Analog ground input	Yes
J3.7	+1.8VD	1.8V digital supply	No
J3.8	VD1	Not used	No
J3.9	+3.3VD	3.3V digital supply	No
J3.10	+5VD	+5V	No

The digital and analog ground inputs are short-circuited internally through a ground plane.

The DAC7678EVM is designed to operate from a single +5V power supply (J3.3). This supply powers the DAC7678 itself, and the onboard REF5040 reference voltage source.

The DAC7678 can be powered from a wide range of voltages from +2.7V to +5.5V. The onboard REF5040 is powered from the +5VA supply on the J3 header. Jumper JP4 is in place to allow users to choose between the +5VA voltage to power the DAC or a separate, external power supply applied to TP1. This flexibility allows the user to be able to properly power the REF5040 while powering the DAC from any desired voltage within the specified range. The DAC7678EVM is not designed with any filters, so the use of a clean, well-regulated supply is strongly recommended.

5 Voltage Reference

The DAC7678 can be operated using either the built-in 2.5V internal reference voltage or an external voltage option. When using external reference voltage options, the DAC7678EVM is configured with an onboard REF5040 that supplies a 4.096V external reference voltage to the DAC7678. The evaluation module also allows users to input an external reference voltage source through pin J1.20 on the analog header.

The V_{REFIN}/V_{REFOUT} pin on the DAC7678 can be configured as either an input or an output. When the 2.5V internal reference voltage is used, the pin is an output. When the DAC7678 is configured to use an external reference voltage and the internal reference is disabled, the pin is an input. Enabling and disabling the DAC7678 internal reference is controlled through digital communication. Jumper JP3 must be set accordingly, depending on the configuration of the reference voltage.

By default, the DAC7678 internal reference is disabled, and requires an external reference voltage. Jumper JP3 controls which external reference source is used. When JP3 is in the 1-2 position (default), the REF5040 is used. When JP3 is in the 2-3 position, the user can input a separate reference voltage to analog header pin J1.20; this reference will then be routed to the DAC7678.

To enable the DAC7678 internal reference voltage, make sure that jumper JP3 is either floating or connected in the 2-3 position. Then, once the internal reference is enabled by writing to the DAC, it appears on TP7.

NOTE: Do not place jumper JP3 in the 1-2 position while using the internal reference. If JP3 is in the 1-2 position when the internal reference is used, the user will be attempting to drive the V_{REFIN}/V_{REFOUT} pin externally while it is configured as the internal reference voltage output. This condition may cause permanent damage to the DAC7678.

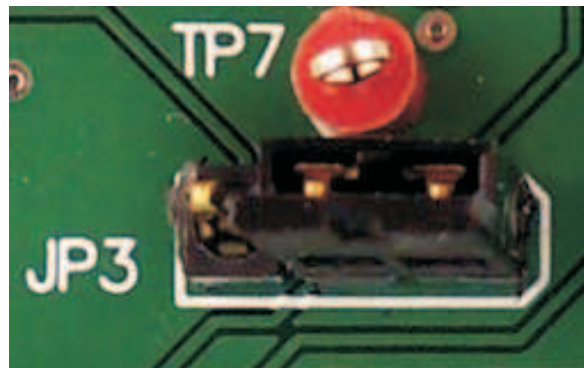


Figure 1. Reference Selection Jumper JP3 and Test Point TP7

6 EVM Operation

This section provides information on the analog input, digital control, and general operating conditions of the DAC7678EVM.

6.1 Analog Input

The DAC7678 has eight analog outputs that are available through the J1 header. Each of these output are referenced to the board ground.

The V_{REFIN}/V_{REFOUT} pin is also routed to the J1 header. Depending on the JP3 configuration and the status of the DAC7678 internal reference, the internal reference voltage can be routed to the J1 analog header.

6.2 Digital Control

The digital control signals can be applied directly to J1 (top or bottom side). The modular DAC7678EVM can also be connected directly to a DSP or microcontroller interface board, such as the the MMB0 DSP board available from Texas Instruments.

No specific evaluation software is provided with this EVM. However, various code examples are available that show how to use EVMs with a variety of digital signal processors from Texas Instruments. Check the respective product folders on the [TI web site](#) or send an e-mail to dataconvapps@list.ti.com for a listing of available code examples. The EVM Gerber files are available on request.

6.3 Default Jumper Settings and Switch Positions

Table 4 lists the jumpers and the functionality of each that is available on the DAC7678EVM.

Table 4. DAC7678EVM Jumpers

Jumper	Name	Description
JP1	\overline{LDAC} Control	\overline{LDAC} control pin; pulled high by default. Apply shunt to tie pin to ground.
JP2	\overline{CLR} Control	\overline{CLR} control pin; pulled high by default. Apply shunt to tie pin to ground.
JP3	REF Selection	DAC reference selection control
JP4	AVDD Selection	Routes AVDD pin to either J3.3 or TP1 for an external voltage source.
JP6	\overline{LDAC} Selection	Routes \overline{LDAC} pin to either J2.15 or J2.17
JP7	IOVDD Selection	Selection between AVDD or an external voltage (via TP2) for the digital pull up.
JP8	ADDR1 Selection	Hardware control for the ADDR1 control pin
JP9	ADDR0 Selection	Hardware control for the ADDR0 control pin
JP10	RSTSEL Control	RSTSEL control pin; pulled high by default. Apply shunt to tie pin to ground.
JP11	TWOC Control	TWOC control pin; pulled high by default. Apply shunt to tie pin to ground.

Figure 2 shows the default jumper conditions for the DAC7678EVM.

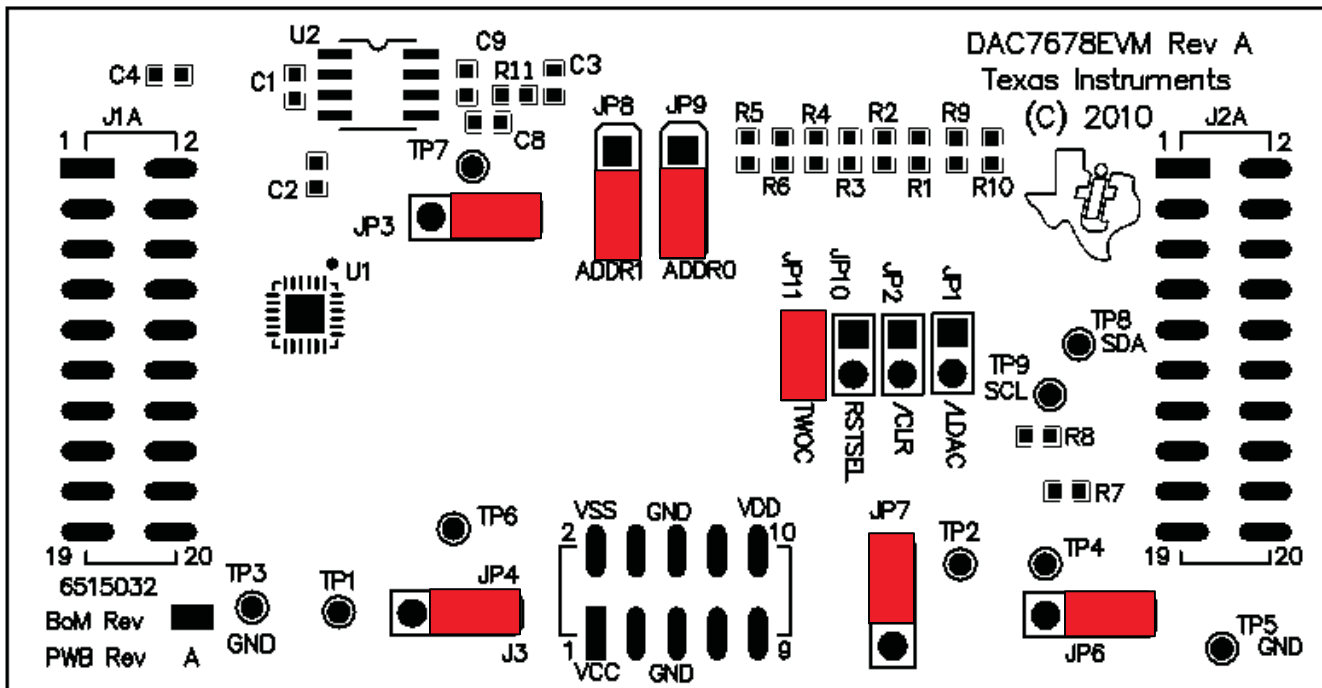


Figure 2. DAC7678EVM Default Jumper Locations

Jumpers JP1, JP2, JP10, and JP11 control the digital control inputs to the DAC7678. The $\overline{\text{LDAC}}$, $\overline{\text{CLR}}$, $\overline{\text{RSTSEL}}$, and $\overline{\text{TWOC}}$ lines are all initially pulled high through 10k Ω resistors. A shunt can be placed along the corresponding pins to tie the signal to ground.

JP3 routes where the $V_{\text{REFIN}}/V_{\text{REFOUT}}$ I/O pin on the DAC7678 is routed. When JP3 is in its default position, the shunt is placed across pins 1 and 2. This configuration allows the DAC7678 to use the onboard REF5040 as the external reference. When JP3 is in the 2-3 position, the user can input an external reference voltage to analog header pin J1.20, which will then be routed to the DAC7678. If the DAC7678 internal reference is enabled, the user must ensure that jumper JP3 is either floating or connected in the 2-3 position. The internal reference voltage can then appear on TP7. It is important to not have jumper JP3 in the 1-2 position while using the internal reference. You cannot drive the $V_{\text{REFIN}}/V_{\text{REFOUT}}$ pin externally while it is configured as the internal reference voltage output. Doing so may permanently damage the DAC7678.

Jumper JP4 determines how to power the DAC AV_{DD} . By default, AV_{DD} is powered from J3.3 (JP4 position 1-2). It can also be powered from TP1 if the shunt is placed across pins 2-3.

Jumper JP6 selects where to route the $\overline{\text{LDAC}}$ signal. By default, pins JP6.1 and JP6.2 are connected to route the $\overline{\text{LDAC}}$ signal to J2.15. The shunt can be placed across JP6.2 and JP6.3 to route the $\overline{\text{LDAC}}$ signal to J2.17.

JP7 determines what voltage the pullup resistors on the digital control lines is. By default, the JP7 jumper is set to the 1-2 position to set the voltage to AV_{DD} . If a different voltage is desired, the jumper must be set to the 2-3 position and place an external voltage at TP2.

Jumpers JP8 and JP9 set the address lines, ADDR1 and ADDR0, for the DAC7678. By default, the two address lines are pulled low (position 2-3). The ADDR1 and ADDR0 lines can be pulled high (position 1-2) or left floating (remove shunt completely) to set the address accordingly.

7 Schematics and Layout

Schematics for the DAC7678EVM are appended to this user's guide. [Figure 3](#) and [Figure 4](#) are the printed circuit board (PCB) layouts. The bill of materials is provided in [Table 5](#).

7.1 Bill of Materials

NOTE: All components should be compliant with the European Union Restriction on Use of Hazardous Substances (RoHS) Directive. Some part numbers may be either leaded or RoHS. Verify that purchased components are RoHS-compliant. (For more information about TI's position on RoHS compliance, see the [Quality and Eco-Info information on the TI web site](#).)

Table 5. Bill of Materials

Item No.	Qty	Ref Des	Description	Vendor	Part Number
1	4	C1, C2, C3, C9	Capacitor, ceramic, 10 μ F, 6.3V X5R 0603	Murata	GRM188R60J106ME47D
2	2	C4, C8	Do not install	—	—
3	2	J1A, J2A (Top Side)	10-pin, I, SM header (20 Pos.)	Samtec	TSM-110-01-T-DV-P
4	2	J1B, J2B (Bottom Side)	10-pin, dual row, SM leader (20 Pos.)	Samtec	SSW-110-22-F-D-VS-K
5	1	J3A (Top Side)	5-pin, dual row, SM header (10 Pos.)	Samtec	TSM-105-01-T-DV-P
6	1	J3B (Bottom Side)	5-pin, dual row, SM header (10 Pos.)	Samtec	SSW-105-22-F-D-VS-K
7	4	JP1, JP2, JP10, JP11	Header strip, 2 pin (1x2)	Samtec	TSW-102-07-L-S
8	6	JP3, JP4, JP6, JP7, JP8, JP9	Header strip, 3 pin (1x3)	Samtec	TSW-103-07-L-S
9	8	R1, R2, R3, R4, R5, R6, R9, R10	Resistor, 10k Ω , 1/10W 5% 0603 SMD	Panasonic	ERJ-3GEYJ103V
10	3	R7, R8, R11	Resistor, 0 Ω 1/10W 5% 0603 SMD	Panasonic	ERJ-3GEY0R00V
11	7	TP1, TP2, TP4, TP6, TP7, TP8, TP9	Test point - Single .025 Pin, Red	Keystone	5000
12	2	TP3, TP5	Test point - Single .025 Pin, Black	Keystone	5001
13	1	U1	Octal, 12-bit, high-accuracy DAC,	Texas Instruments	DAC7678SRGET
14	1	U2	Precision voltage reference 4.096V, 8-SOIC	Texas Instruments	REF5040AID
15	10	NA	0.100 shunt - Black	Samtec	SNT-100-BK-T

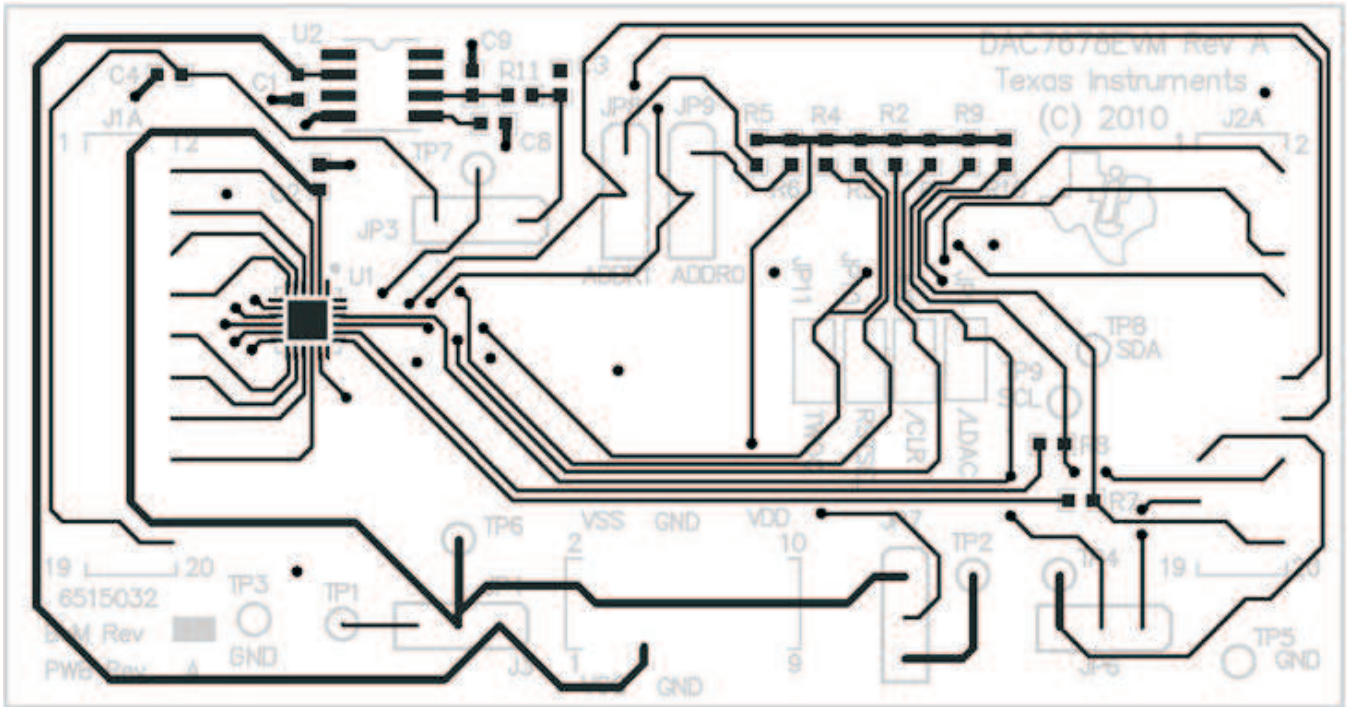


Figure 3. DAC7678EVM: Top Layer Image

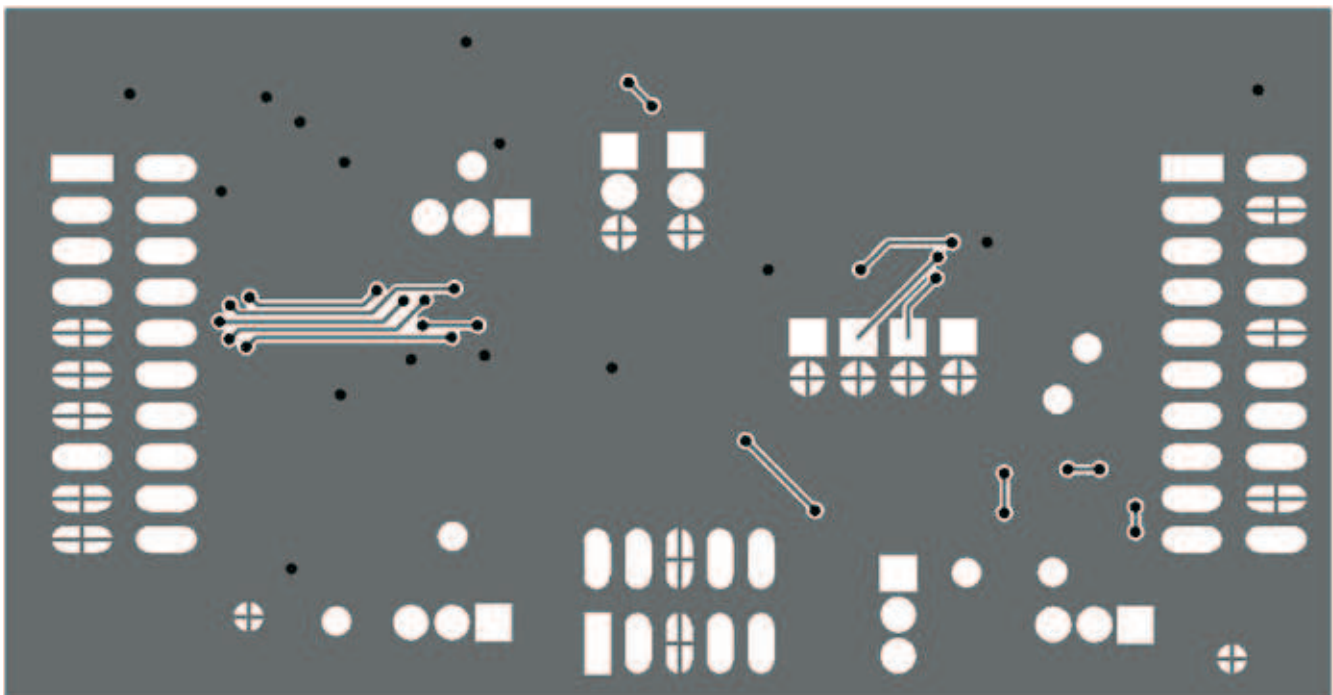


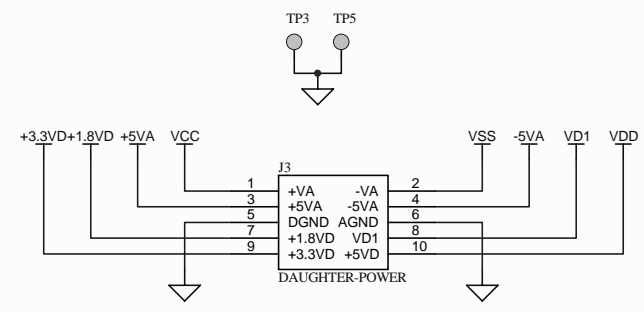
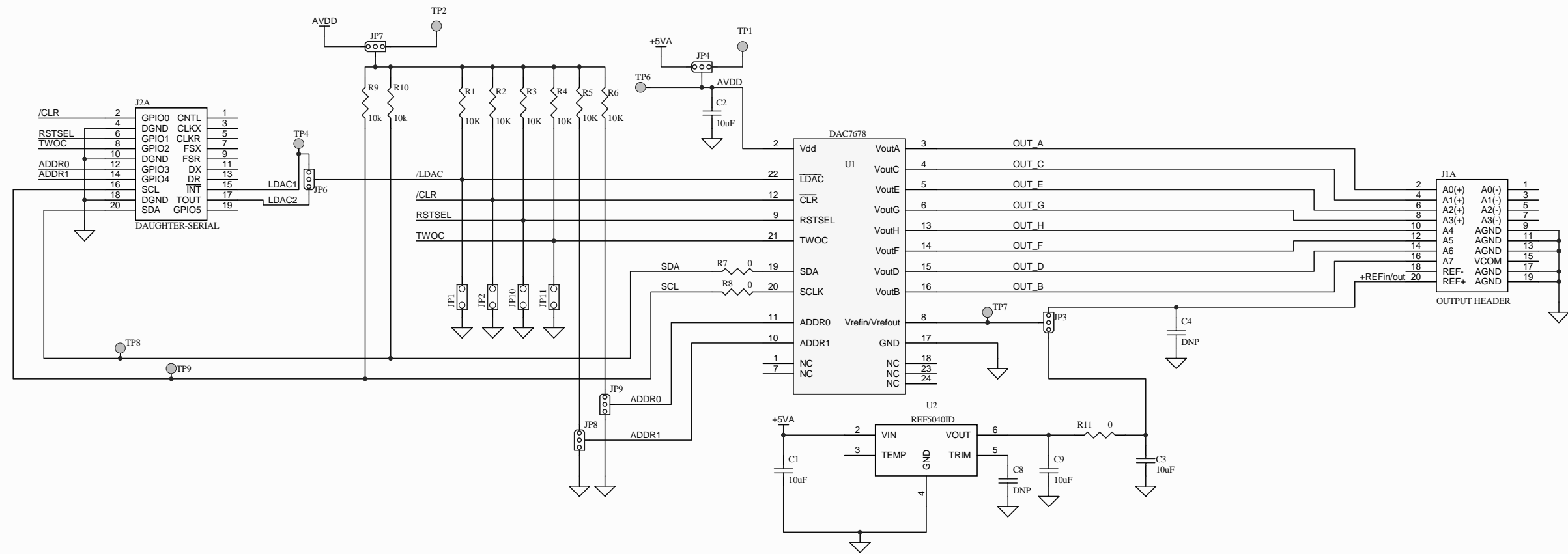
Figure 4. DAC7678EVM: Bottom Layer Image

Revision History

Changes from B Revision (May, 2011) to C Revision	Page
• Corrected typos and errors in Analog Interface section	3
• Updated Table 1	3
• Revised last paragraph of Voltage Reference section	6
• Changed descriptions of jumper positions and operations throughout Section 6.3	8

NOTE: Page numbers for previous revisions may differ from page numbers in the current version.

Revision History		
REV	ECN Number	Approved
1	First Proto Release	
	Production Release	



TEXAS INSTRUMENTS
 12500 TI Boulevard, Dallas, Texas 75243
 Title: DAC7678 EVM
 DOCUMENT CONTROL # 6515032
 DATE: 5-Aug-2010
 SHEET: 1 OF 1

Engineer:		REV: A
Drawn By:		
FILE: DAC7678 Rev A.Sch	DATE: 5-Aug-2010	SIZE: SHEET: 1 OF 1

Evaluation Board/Kit Important Notice

Texas Instruments (TI) provides the enclosed product(s) under the following conditions:

This evaluation board/kit is intended for use for **ENGINEERING DEVELOPMENT, DEMONSTRATION, OR EVALUATION PURPOSES ONLY** and is not considered by TI to be a finished end-product fit for general consumer use. Persons handling the product(s) must have electronics training and observe good engineering practice standards. As such, the goods being provided are not intended to be complete in terms of required design-, marketing-, and/or manufacturing-related protective considerations, including product safety and environmental measures typically found in end products that incorporate such semiconductor components or circuit boards. This evaluation board/kit does not fall within the scope of the European Union directives regarding electromagnetic compatibility, restricted substances (RoHS), recycling (WEEE), FCC, CE or UL, and therefore may not meet the technical requirements of these directives or other related directives.

Should this evaluation board/kit not meet the specifications indicated in the User's Guide, the board/kit may be returned within 30 days from the date of delivery for a full refund. **THE FOREGOING WARRANTY IS THE EXCLUSIVE WARRANTY MADE BY SELLER TO BUYER AND IS IN LIEU OF ALL OTHER WARRANTIES, EXPRESSED, IMPLIED, OR STATUTORY, INCLUDING ANY WARRANTY OF MERCHANTABILITY OR FITNESS FOR ANY PARTICULAR PURPOSE.**

The user assumes all responsibility and liability for proper and safe handling of the goods. Further, the user indemnifies TI from all claims arising from the handling or use of the goods. Due to the open construction of the product, it is the user's responsibility to take any and all appropriate precautions with regard to electrostatic discharge.

EXCEPT TO THE EXTENT OF THE INDEMNITY SET FORTH ABOVE, NEITHER PARTY SHALL BE LIABLE TO THE OTHER FOR ANY INDIRECT, SPECIAL, INCIDENTAL, OR CONSEQUENTIAL DAMAGES.

TI currently deals with a variety of customers for products, and therefore our arrangement with the user **is not exclusive.**

TI assumes **no liability for applications assistance, customer product design, software performance, or infringement of patents or services described herein.**

Please read the User's Guide and, specifically, the Warnings and Restrictions notice in the User's Guide prior to handling the product. This notice contains important safety information about temperatures and voltages. For additional information on TI's environmental and/or safety programs, please contact the TI application engineer or visit www.ti.com/esh.

No license is granted under any patent right or other intellectual property right of TI covering or relating to any machine, process, or combination in which such TI products or services might be or are used.

FCC Warning

This evaluation board/kit is intended for use for **ENGINEERING DEVELOPMENT, DEMONSTRATION, OR EVALUATION PURPOSES ONLY** and is not considered by TI to be a finished end-product fit for general consumer use. It generates, uses, and can radiate radio frequency energy and has not been tested for compliance with the limits of computing devices pursuant to part 15 of FCC rules, which are designed to provide reasonable protection against radio frequency interference. Operation of this equipment in other environments may cause interference with radio communications, in which case the user at his own expense will be required to take whatever measures may be required to correct this interference.

EVM Warnings and Restrictions

It is important to operate this EVM within the input voltage range of 0V to 5.5V and the output voltage range of 0V to 5.5V.

Exceeding the specified input range may cause unexpected operation and/or irreversible damage to the EVM. If there are questions concerning the input range, please contact a TI field representative prior to connecting the input power.

Applying loads outside of the specified output range may result in unintended operation and/or possible permanent damage to the EVM. Please consult the EVM User's Guide prior to connecting any load to the EVM output. If there is uncertainty as to the load specification, please contact a TI field representative.

During normal operation, some circuit components may have case temperatures greater than +30°C. The EVM is designed to operate properly with certain components above +30°C as long as the input and output ranges are maintained. These components include but are not limited to linear regulators, switching transistors, pass transistors, and current sense resistors. These types of devices can be identified using the EVM schematic located in the EVM User's Guide. When placing measurement probes near these devices during operation, please be aware that these devices may be very warm to the touch.

Mailing Address: Texas Instruments, Post Office Box 655303, Dallas, Texas 75265
Copyright © 2011, Texas Instruments Incorporated

IMPORTANT NOTICE

Texas Instruments Incorporated and its subsidiaries (TI) reserve the right to make corrections, modifications, enhancements, improvements, and other changes to its products and services at any time and to discontinue any product or service without notice. Customers should obtain the latest relevant information before placing orders and should verify that such information is current and complete. All products are sold subject to TI's terms and conditions of sale supplied at the time of order acknowledgment.

TI warrants performance of its hardware products to the specifications applicable at the time of sale in accordance with TI's standard warranty. Testing and other quality control techniques are used to the extent TI deems necessary to support this warranty. Except where mandated by government requirements, testing of all parameters of each product is not necessarily performed.

TI assumes no liability for applications assistance or customer product design. Customers are responsible for their products and applications using TI components. To minimize the risks associated with customer products and applications, customers should provide adequate design and operating safeguards.

TI does not warrant or represent that any license, either express or implied, is granted under any TI patent right, copyright, mask work right, or other TI intellectual property right relating to any combination, machine, or process in which TI products or services are used. Information published by TI regarding third-party products or services does not constitute a license from TI to use such products or services or a warranty or endorsement thereof. Use of such information may require a license from a third party under the patents or other intellectual property of the third party, or a license from TI under the patents or other intellectual property of TI.

Reproduction of TI information in TI data books or data sheets is permissible only if reproduction is without alteration and is accompanied by all associated warranties, conditions, limitations, and notices. Reproduction of this information with alteration is an unfair and deceptive business practice. TI is not responsible or liable for such altered documentation. Information of third parties may be subject to additional restrictions.

Resale of TI products or services with statements different from or beyond the parameters stated by TI for that product or service voids all express and any implied warranties for the associated TI product or service and is an unfair and deceptive business practice. TI is not responsible or liable for any such statements.

TI products are not authorized for use in safety-critical applications (such as life support) where a failure of the TI product would reasonably be expected to cause severe personal injury or death, unless officers of the parties have executed an agreement specifically governing such use. Buyers represent that they have all necessary expertise in the safety and regulatory ramifications of their applications, and acknowledge and agree that they are solely responsible for all legal, regulatory and safety-related requirements concerning their products and any use of TI products in such safety-critical applications, notwithstanding any applications-related information or support that may be provided by TI. Further, Buyers must fully indemnify TI and its representatives against any damages arising out of the use of TI products in such safety-critical applications.

TI products are neither designed nor intended for use in military/aerospace applications or environments unless the TI products are specifically designated by TI as military-grade or "enhanced plastic." Only products designated by TI as military-grade meet military specifications. Buyers acknowledge and agree that any such use of TI products which TI has not designated as military-grade is solely at the Buyer's risk, and that they are solely responsible for compliance with all legal and regulatory requirements in connection with such use.

TI products are neither designed nor intended for use in automotive applications or environments unless the specific TI products are designated by TI as compliant with ISO/TS 16949 requirements. Buyers acknowledge and agree that, if they use any non-designated products in automotive applications, TI will not be responsible for any failure to meet such requirements.

Following are URLs where you can obtain information on other Texas Instruments products and application solutions:

Products

Audio	www.ti.com/audio
Amplifiers	amplifier.ti.com
Data Converters	dataconverter.ti.com
DLP® Products	www.dlp.com
DSP	dsp.ti.com
Clocks and Timers	www.ti.com/clocks
Interface	interface.ti.com
Logic	logic.ti.com
Power Mgmt	power.ti.com
Microcontrollers	microcontroller.ti.com
RFID	www.ti-rfid.com
RF/IF and ZigBee® Solutions	www.ti.com/lprf

Applications

Communications and Telecom	www.ti.com/communications
Computers and Peripherals	www.ti.com/computers
Consumer Electronics	www.ti.com/consumer-apps
Energy and Lighting	www.ti.com/energy
Industrial	www.ti.com/industrial
Medical	www.ti.com/medical
Security	www.ti.com/security
Space, Avionics and Defense	www.ti.com/space-avionics-defense
Transportation and Automotive	www.ti.com/automotive
Video and Imaging	www.ti.com/video
Wireless	www.ti.com/wireless-apps

TI E2E Community Home Page

e2e.ti.com

Mailing Address: Texas Instruments, Post Office Box 655303, Dallas, Texas 75265
Copyright © 2011, Texas Instruments Incorporated