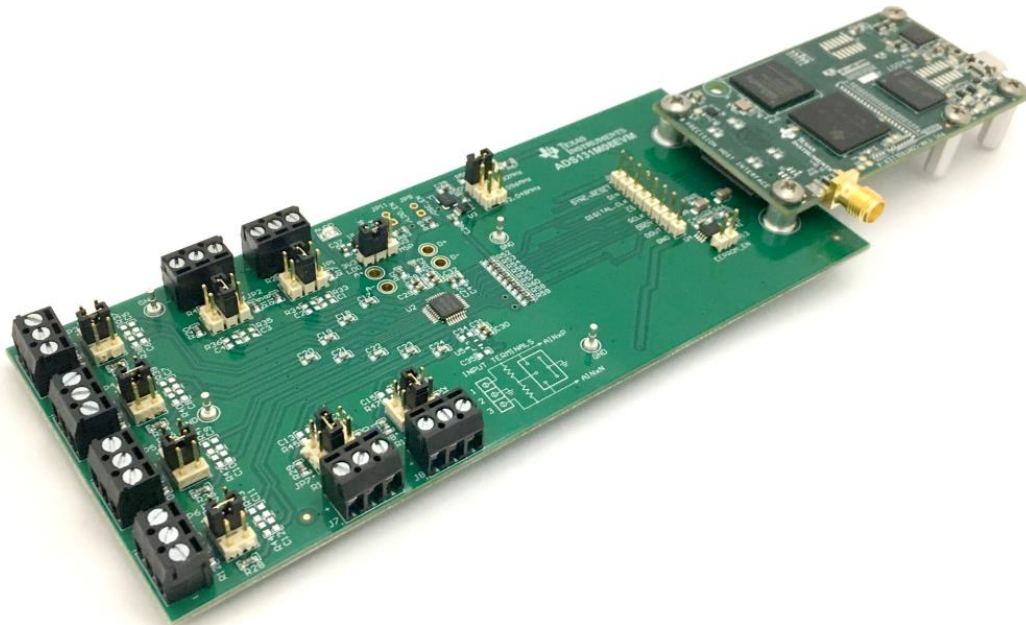


ADS131M08 Evaluation Module



This user's guide describes the characteristics, operation, and use of the ADS131M08 evaluation module (EVM). This kit is an evaluation platform for the [ADS131M08](#), which is an 8-channel, simultaneously-sampling, 24-bit, delta-sigma ($\Delta\Sigma$) analog-to-digital converter (ADC). The ADS131M08 offers wide dynamic range and internal calibration features, making the device excellent for energy metering, power quality, protection relay, and circuit breaker applications.

The ADS131M08EVM eases the evaluation of the device with hardware, software, and computer connectivity through the universal serial bus (USB) interface. This user's guide includes complete circuit descriptions, schematic diagrams, and a bill of materials. Throughout this document, the abbreviation *EVM* and the term *evaluation module* are synonymous with the ADS131M08EVM. The following related documents are available through the Texas Instruments web site at www.ti.com.

Table 1. Related Documentation

Device	Literature Number
ADS131M08	SBAS950

Contents

1	EVM Overview	4
2	EVM Analog Interface	5
3	Digital Interface	10
4	Power Supplies	12
5	ADS131M08EVM Initial Setup.....	13
6	ADS131M08EVM Operation	16
7	ADS131M08EVM Bill of Materials, PCB Layout, and Schematic	23

List of Figures

1	System Connection for Evaluation	4
2	Input Terminal Blocks and Headers (Schematic).....	5
3	Input Terminal Blocks and Headers (PCB).....	6
4	CLKIN External Clock (PCB).....	9
5	ADS131M08EVM Jumper Default Settings	13
6	ADS131M08 Software Installation Prompts	14
7	Device Driver Installation Wizard Prompts.....	14
8	LabVIEW Run-Time Engine Installation.....	15
9	ADS131M08EVM GUI Folder Post-Installation.....	16
10	ADS131M08EVM Hardware Setup and LED Indicators	16
11	Launch the EVM GUI Software.....	17
12	EVM GUI Global Input Parameters	18
13	Register Map Configuration.....	19
14	Time Domain Display Tool Options.....	20
15	Spectral Analysis Tool.....	21
16	Histogram Analysis Tool	22
17	Top Silkscreen.....	26
18	Top Layer	26
19	Ground Layer 1	27
20	Ground Layer 2.....	27
21	Bottom Layer.....	28
22	Bottom Silkscreen	28
23	ADS131M08EVM Hardware Schematic.....	29
24	ADS131M08EVM Main Schematic.....	30

List of Tables

1	Related Documentation	1
2	Analog Input Terminal Blocks, J1–J8	7
3	Analog Input Jumper Connection, JP1–JP8	8
4	CLKIN External Clock Options	9
5	PHI Connector Pin Functions.....	10
6	Digital Header Pins	11
7	LaunchPad™ Pin Functions	11
8	Default Settings.....	13
9	ADS131M08EVM Bill of Materials	23

Trademarks

LaunchPad, BoosterPack are trademarks of Texas Instruments.
Windows is a registered trademark of Microsoft.
LabVIEW is a trademark of National Instruments.
All other trademarks are the property of their respective owners.

1 EVM Overview

The ADS131M08EVM is a platform for evaluating the performance of the ADS131M08, which is a 8-channel, simultaneously-sampling, 24-bit, $\Delta\Sigma$ ADC. The evaluation kit includes the ADS131M08EVM board and the precision host interface (PHI) controller board that enables the accompanying computer software to communicate with the ADC over the USB for data capture and analysis.

The ADS131M08EVM board includes the ADS131M08 ADC and all the peripheral analog circuits and components required to extract optimum performance from the ADC.

The PHI board primarily serves three functions:

- Provides a communication interface from the EVM to the computer through a USB port
- Provides the digital input and output signals necessary to communicate with the ADS131M08
- Supplies power to all active circuitry on the ADS131M08EVM board

1.1 ADS131M08EVM Kit

The ADS131M08 evaluation module kit includes the following features:

- Hardware and software required for diagnostic testing as well as accurate performance evaluation of the ADS131M08 ADC
- USB powered—no external power supply is required
- The PHI controller that provides a convenient communication interface to the ADS131M08 ADC over USB 2.0 (or higher) for power delivery as well as digital input and output
- Easy-to-use evaluation software for 64-bit Microsoft Windows® 7, Windows 8, and Windows 10 operating systems
- The software suite includes graphical tools for data capture, histogram analysis, and spectral analysis. This suite also has a provision for exporting data to a text file for post-processing.

Figure 1 illustrates an example system setup for evaluation.

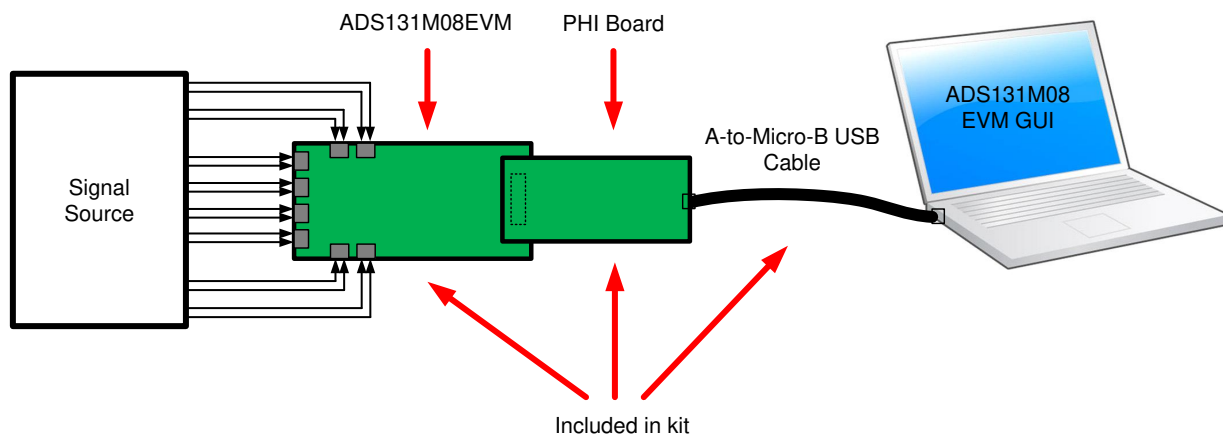


Figure 1. System Connection for Evaluation

1.2 ADS131M08EVM Board

The ADS131M08EVM board includes the following features:

- External signal source from differential pair headers
- Options to use external analog and digital power supplies
- Serial interface header for easy connection to the PHI controller
- Pin connections to monitor digital signals with a logic analyzer
- Onboard ultra-low noise low-dropout (LDO) regulator for excellent 3.3-V, single-supply regulation of all analog circuits

2 EVM Analog Interface

The ADS131M08EVM is designed for easy interfacing with analog sources. This section covers the details of the front-end circuit including jumper configuration for different input test signals and board connectors for signal sources.

2.1 ADC Analog Input Signal Path

Analog inputs to the EVM can be connected to either the terminal blocks or to the header pins associated with each ADC channel. The 3x2 100-mil headers for each channel allow the user to configure the inputs differentially depending on the signal to be measured. The screw terminal blocks can interface directly with the leads of an external sensor input. [Figure 2](#) shows the signal chain used for all eight input channels on the EVM and is used to describe the supported input options in [Figure 3](#), [Table 2](#), and [Table 3](#).

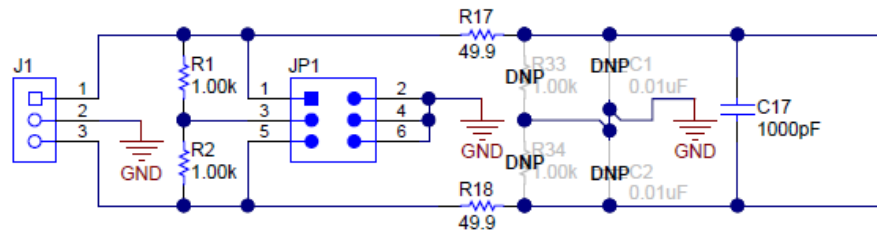


Figure 2. Input Terminal Blocks and Headers (Schematic)

External voltage inputs can be applied to J1 pins 1 and 3. For single-ended inputs, install a jumper on either JP1[1-2] or JP1[5-6] to connect an input to the EVM ground. If the external voltage is applied through a series resistor, R1 or R2 can be used to form a resistor divider by installing JP1[3-4] to support higher voltage measurements. Input jumper connections are described in [Table 2](#). Similarly, R33 and R34 can be installed to form a resistor divider with the series 49.9-Ω resistors on each input. An input must not be applied such that the voltage on the input pins of the ADS131M08 exceeds the absolute maximum ratings. See the [ADS131M08 data sheet](#) for details.

R1 and R2 also present a 2-kΩ differential load when all jumpers on JP1 are uninstalled. This load acts as a burden resistor for a current transformer (CT) input. For single-ended measurements, the unused end of the transformer secondary side can be tied to ground by installing the appropriate jumper on JP1.

R17, R18, and C17 form a differential low-pass filter with a –3-dB cutoff frequency of 1.594 MHz. The series impedance is kept relatively low in order to maintain adequate total harmonic distortion (THD) performance.

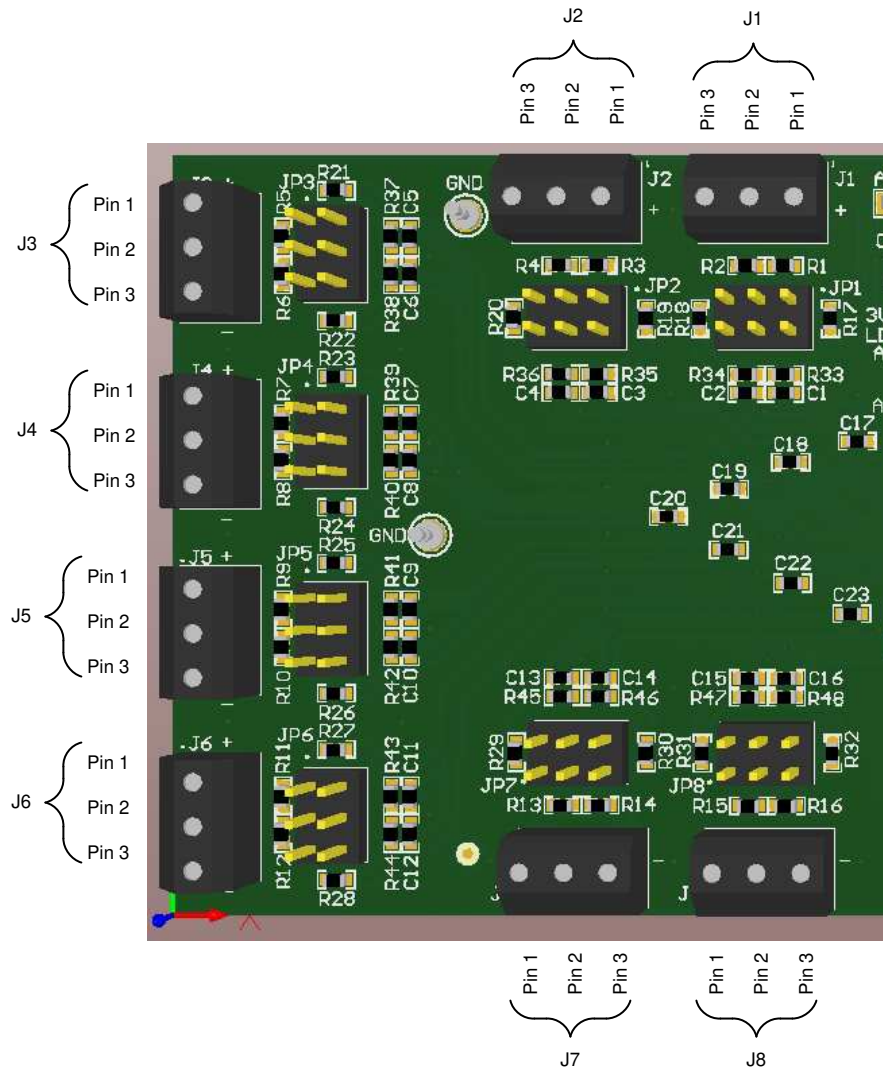


Figure 3. Input Terminal Blocks and Headers (PCB)

Table 2. Analog Input Terminal Blocks, J1–J8

Terminal Block	Pin	Function	ADS131M08 Input Pin
J1	1	Channel 0 positive input	AIN0P
	2	EVM ground	AGND and DGND
	3	Channel 0 negative input	AIN0N
J2	1	Channel 1 positive input	AIN1P
	2	EVM ground	AGND and DGND
	3	Channel 1 negative input	AIN1N
J3	1	Channel 2 positive input	AIN2P
	2	EVM ground	AGND and DGND
	3	Channel 2 negative input	AIN2N
J4	1	Channel 3 positive input	AIN3P
	2	EVM ground	AGND and DGND
	3	Channel 3 negative input	AIN3N
J5	1	Channel 4 positive input	AIN4P
	2	EVM ground	AGND and DGND
	3	Channel 4 negative input	AIN4N
J6	1	Channel 5 positive input	AIN5P
	2	EVM ground	AGND and DGND
	3	Channel 5 negative input	AIN5N
J7	1	Channel 6 positive input	AIN6P
	2	EVM ground	AGND and DGND
	3	Channel 6 negative input	AIN6N
J8	1	Channel 7 positive input	AIN7P
	2	EVM ground	AGND and DGND
	3	Channel 7 negative input	AIN7N

Table 3. Analog Input Jumper Connection, JP1–JP8

Jumper	Position	Description
JP1	Connection for channel 0 analog inputs	
	[1-2]	Short positive input to ground
	[3-4]	Connect both inputs to ground via 1-kΩ resistors (default)
	[5-6]	Short negative input to ground
JP2	Connection for channel 1 analog inputs	
	[1-2]	Short positive input to ground
	[3-4]	Connect both inputs to ground via 1-kΩ resistors (default)
	[5-6]	Short negative input to ground
JP3	Connection for channel 2 analog inputs	
	[1-2]	Short positive input to ground
	[3-4]	Connect both inputs to ground via 1-kΩ resistors (default)
	[5-6]	Short negative input to ground
JP4	Connection for channel 3 analog inputs	
	[1-2]	Short positive input to ground
	[3-4]	Connect both inputs to ground via 1-kΩ resistors (default)
	[5-6]	Short negative input to ground
JP5	Connection for channel 4 analog inputs	
	[1-2]	Short positive input to ground
	[3-4]	Connect both inputs to ground via 1-kΩ resistors (default)
	[5-6]	Short negative input to ground
JP6	Connection for channel 5 analog inputs	
	[1-2]	Short positive input to ground
	[3-4]	Connect both inputs to ground via 1-kΩ resistors (default)
	[5-6]	Short negative input to ground
JP7	Connection for channel 6 analog inputs	
	[1-2]	Short positive input to ground
	[3-4]	Connect both inputs to ground via 1-kΩ resistors (default)
	[5-6]	Short negative input to ground
JP8	Connection for channel 7 analog inputs	
	[1-2]	Short positive input to ground
	[3-4]	Connect both inputs to ground via 1-kΩ resistors (default)
	[5-6]	Short negative input to ground

2.2 ADC External Clock (CLKIN) Options

The ADS131M08 requires a continuous, free-running external master clock at the CLKIN pin for normal operation. The onboard complementary metal oxide semiconductor (CMOS) crystal oscillator (Y1) provides the nominal 8.192-MHz clock frequency used in the high-resolution (HR) mode of the device. Two D flip-flops (U3) divide the Y1 clock output to produce clock frequencies of 4.096 MHz and 2.048 MHz to support the low-power (LP) mode and very-low-power (VLP) mode, respectively.

Install a jumper in the appropriate position on the JP10 header shown in [Figure 4](#) to provide selectable clock frequency options. An external clock frequency can also be provided to any even-numbered pin on JP10 when the jumper is uninstalled. TI also recommends powering down Y1 by installing JP9 when providing an external clock. When using an external clock, ground must be shared between the external clock source and the EVM ground. The external clock must adhere to the frequency and amplitude limits outlined in the ADS131M08 data sheet. [Table 4](#) lists the JP6 jumper settings for the clock input selections.

In addition to jumper settings, each of the power modes requires configuration register settings outlined in [Section 6.1](#).

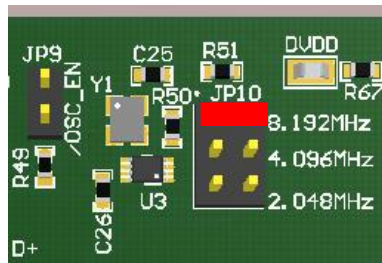


Figure 4. CLKIN External Clock (PCB)

Table 4. CLKIN External Clock Options

JP10 Jumper Setting	Clock Frequency	Description
[1-2]	8.192 MHz	Nominal clock for high-resolution mode (default)
[3-4]	4.096 MHz	Nominal clock for low-power mode
[5-6]	2.048 MHz	Nominal clock for very-low-power mode

3 Digital Interface

As noted in [Section 1](#), the EVM interfaces with the PHI and communicates with the computer over the USB. There are two devices on the EVM with which the PHI communicates: the ADS131M08 ADC (over SPI) and the EEPROM (over I²C). The EEPROM comes pre-programmed with the information required to configure and initialize the ADS131M08EVM platform. When the hardware is initialized, the EEPROM is no longer used.

3.1 SPI Communication

The ADS131M08EVM supports limited interface modes as detailed in the ADS131M08 data sheet. The ADS131M08 uses an SPI-compatible interface to configure the device and retrieve conversion data. SPI communication on the ADS131M08 is performed in frames. Each SPI communication frame consists of several words. The word size is configurable as either 16 bits, 24 bits (default), or 32 bits by programming the WLENGTH[1:0] bits in the MODE register.

Additionally, the $\overline{\text{DRDY}}$ pin indicates when conversion data are available to be read by the master. The DRDY_SEL[1:0] bits, DRDY_HIZ bit, and the DRDY_FMT bit in the MODE register control the behavior of the $\overline{\text{DRDY}}$ pin.

For this EVM not all modes and functions for this SPI communication are supported. Functions not supported are disabled in the EVM GUI software. For more information about the SPI communication, see the [ADS131M08 data sheet](#).

3.2 Connection to the PHI

The ADS131M08EVM board communicates with the PHI through a shrouded, 60-pin connector, J9. There are two round standoffs next to J9 with Phillips-head screws. To connect the PHI to the EVM, remove the screws, attach the PHI to the EVM, and replace the screws into the standoffs. The screws secure the EVM to the PHI and ensures the connection between the boards.

[Table 5](#) lists the different PHI connection and their functions.

Table 5. PHI Connector Pin Functions

PHI Connector Pin Name	PHI Connector Pin	Function
EVM_RAW_5V	J9[2]	Power-supply source for the analog section of the EVM
GND	J9[3]	Ground
SYNC/RESET	J9[10]	Conversion synchronization or system reset for the ADS131M08; active low
DIN	J9[18]	Serial data input for the ADS131M08
CLK	J9[20]	Master clock input for the ADS131M08
$\overline{\text{CS}}$	J9[22]	Chip select for the ADS131M08; active low
SCLK	J9[24]	Serial data clock for the ADS131M08
SCLK	J9[28]	Serial data clock for the ADS131M08
$\overline{\text{DRDY}}$	J9[30]	Data ready for the ADS131M08; active low
DOUT	J9[36]	Serial data output for the ADS131M08
EVM_DVDD	J9[50]	Power-supply source for the digital section of the EVM
SDA	J9[56]	I ² C serial data for the EEPROM used to identify the EVM
SCL	J9[58]	I ² C serial clock for the EEPROM used to identify the EVM
EVM_ID_PWR	J9[59]	Power-supply source for the EEPROM used to identify the EVM
GND	J9[60]	Ground

3.3 Digital Header

In addition to the PHI, the EVM has a header connected to the digital lines that can be used to connect a logic analyzer or oscilloscope. This placement allows for easy access to the digital communications. Header J10 is connected to the digital lines between the ADS131M08 and the PHI connector. [Table 6](#) describes the digital header pins.

Table 6. Digital Header Pins

ADS131M08 Pin Name	Digital Header Pin
SYNC/RESET	J10[1]
DIN	J10[2]
CLK	J10[3]
\overline{CS}	J10[4]
SCLK	J10[5]
DRDY	J10[6]
DOUT	J10[7]
GND	J10[8]

3.4 LaunchPad™ Connectors

On the bottom side of the ADS131M08EVM board is a set of unpopulated surface-mount connectors (J11 and J12). When populated, these devices can be used to connect to a TI LaunchPad™ directly as a typical BoosterPack™ plug-in module.

Connectors J11 and J12 are a set of 10x2, 100 mil connectors. As shown in [Table 7](#), the pin numbers for J11 and J12 map to the pin numbers for a standard 40-pin LaunchPad™ connector.

Table 7. LaunchPad™ Pin Functions

ADS131M08EVM Connection	ADS131M08EVM (J11, J12)	LaunchPad™ Connection
+3.3V	J12[1]	Pin 1
SCLK	J12[13]	Pin 7
DOUT	J11[14]	Pin 14
DIN	J11[12]	Pin 15
GND	J11[2]	Pin 20
+5V	J12[2]	Pin 21
GND	J12[4]	Pin 22
\overline{DRDY}	J11[7]	Pin 37
\overline{CS}	J11[5]	Pin 38
SYNC/RESET	J11[3]	Pin 39
CLK	J11[1]	Pin 40

4 Power Supplies

The PHI provides multiple power-supply options for the EVM, derived from the USB supply of the computer.

The EEPROM on the ADS131M08EVM uses a 3.3-V power supply generated directly by the PHI. The analog supply of the ADC is powered by the LP5907 onboard the EVM, which is a low-noise linear regulator that uses the 5-V supply on the PHI to generate a cleaner 3.3-V output. The 3.3-V supply to the digital section of the ADC is provided directly by an LDO on the PHI.

The power supply for each active component on the EVM is bypassed with a ceramic capacitor placed close to that component. Additionally, the EVM layout uses thick traces or large copper fill areas, where possible, between bypass capacitors and their loads to minimize inductance along the load current path.

As mentioned previously in [Section 1](#), power to the EVM is supplied by the PHI through connector J5. For information about PHI pins and the power connections, see [Table 5](#).

With modifications, the user can use external supplies for either AVDD or DVDD. AVDD can be driven externally by moving the jumper on JP12 to the left. This placement disconnects 3V3_LDO from AVDD. Power can then be applied through the AVDD test point at TP2 or through 3V3_LP if connector J12 is installed. DVDD can be driven externally from the DVDD test point at TP1 if R67 is removed from the EVM.

5 ADS131M08EVM Initial Setup

This section explains the initial hardware and software setup procedure that must be completed for properly operating the ADS131M08EVM.

5.1 Default Jumper Settings

After unpacking, the EVM is already configured with the default jumper settings. Figure 5 shows the locations for the default jumpers.

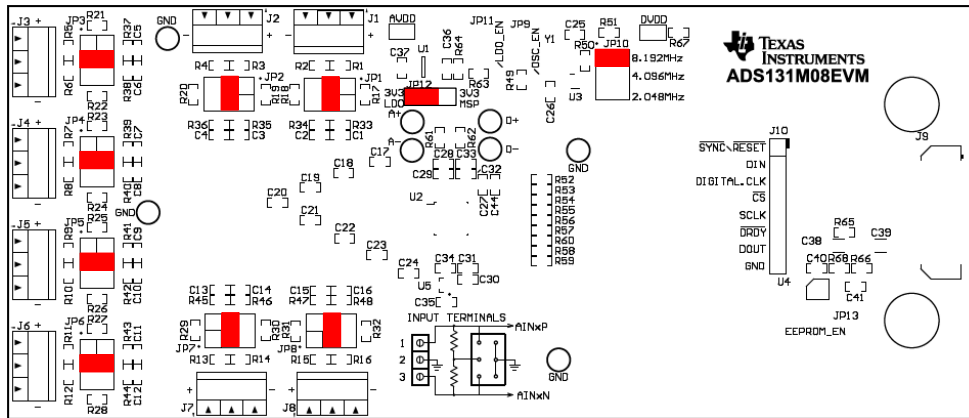


Figure 5. ADS131M08EVM Jumper Default Settings

The default position of the JP10 jumper is across [1-2] at the top. JP10 sets the onboard oscillator frequency to 8.192 MHz, used for the ADS131M08 in high-resolution mode. The default connection for JP12 is to the left, so that the linear regulator is powering the system using 5 V from the PHI controller.

The default settings, as listed in Table 8, includes no jumpers installed at JP9, JP11, and JP13. When installed, JP9 disables the onboard oscillator, JP13 enables the EEPROM for write, and JP11 disables the linear regulator.

Table 8. Default Settings

Jumper	Position	Function
JP1, JP2, JP3, JP4, JP5, JP6, JP7, JP8	[3-4]	Sets common-mode to ground for device inputs
JP9	Not installed	Disables on-board oscillator
JP10	[1-2]	Oscillator frequency select, 8.192MHz
JP11	Not installed	Disables linear regulator power
JP12	[1-2]	Selects device power from linear regulator
JP13	Open	Disables write for EEPROM

5.2 EVM Graphical User Interface (GUI) Software Installation

Download the latest version of the EVM GUI installer from the *Tools and Software* folder of the ADS131M08EVM and run the GUI installer to install the EVM GUI software on your computer.

CAUTION

Manually disable any antivirus software running on the computer before downloading the EVM GUI installer onto the local hard disk. Depending on the antivirus settings, an error message may appear or the installer. The exe file can be deleted.

Accept the license agreements and follow the on-screen instructions shown in [Figure 6](#) to complete the installation.

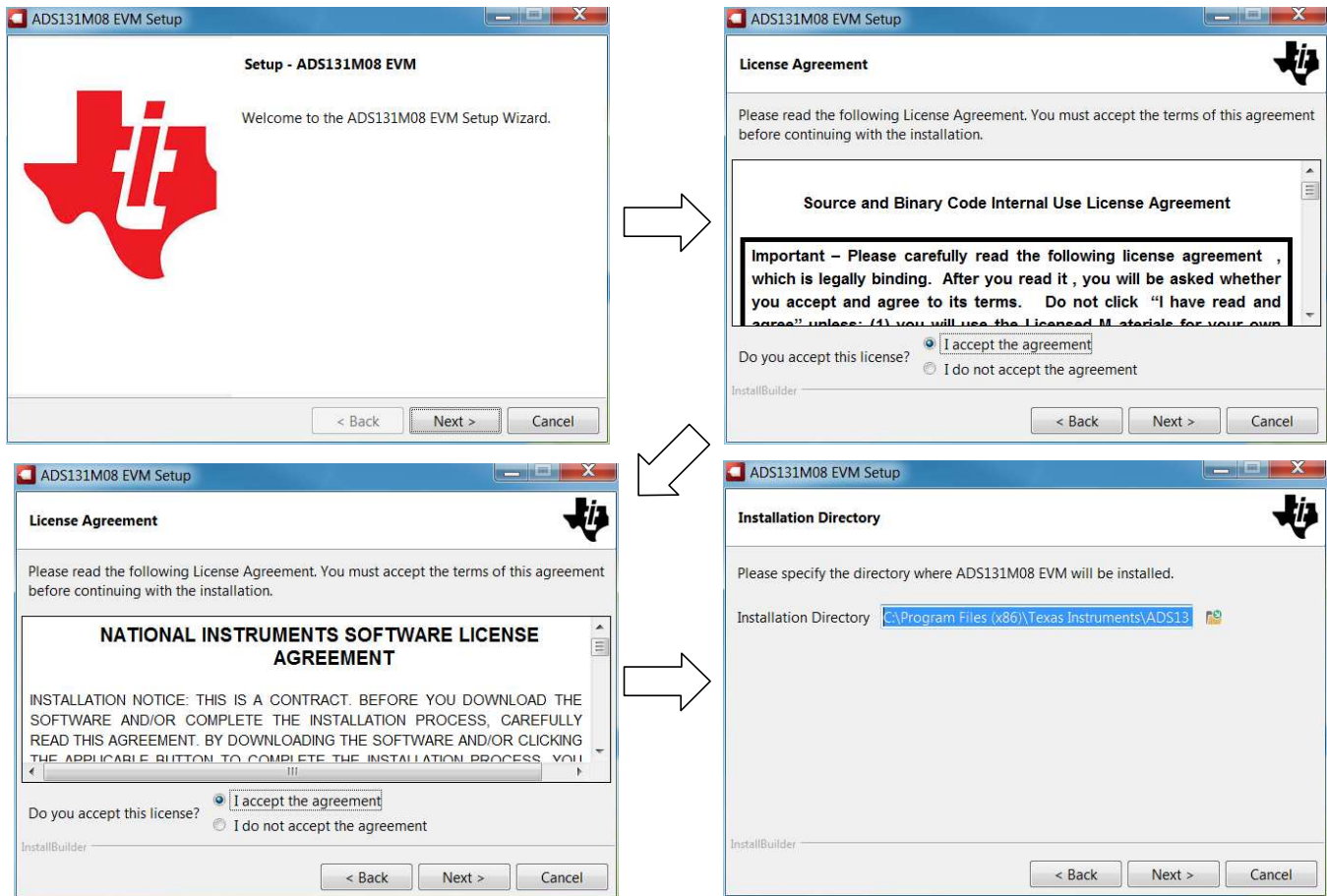


Figure 6. ADS131M08 Software Installation Prompts

As a part of the ADS131M08EVM GUI installation, a prompt with a Device Driver Installation (as shown in [Figure 7](#)) appears on the screen. Click *Next* to proceed.

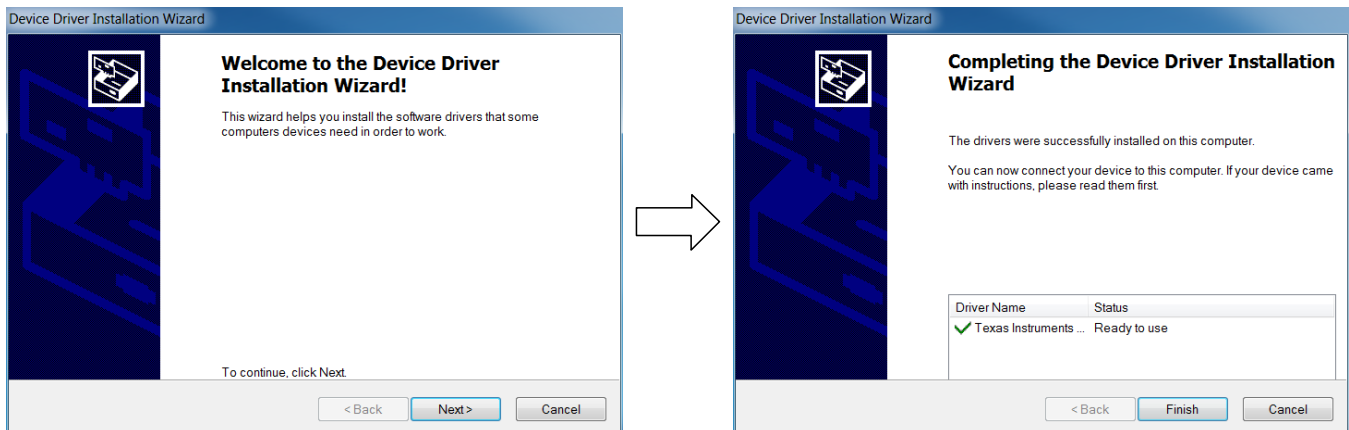


Figure 7. Device Driver Installation Wizard Prompts

NOTE: A notice may appear on the screen stating that Windows cannot verify the publisher of this driver software. Select *Install this driver software anyway*.

The ADS131M08EVM requires the LabVIEW™ run-time engine and may prompt for the installation of this software, as shown in [Figure 8](#), if not already installed.

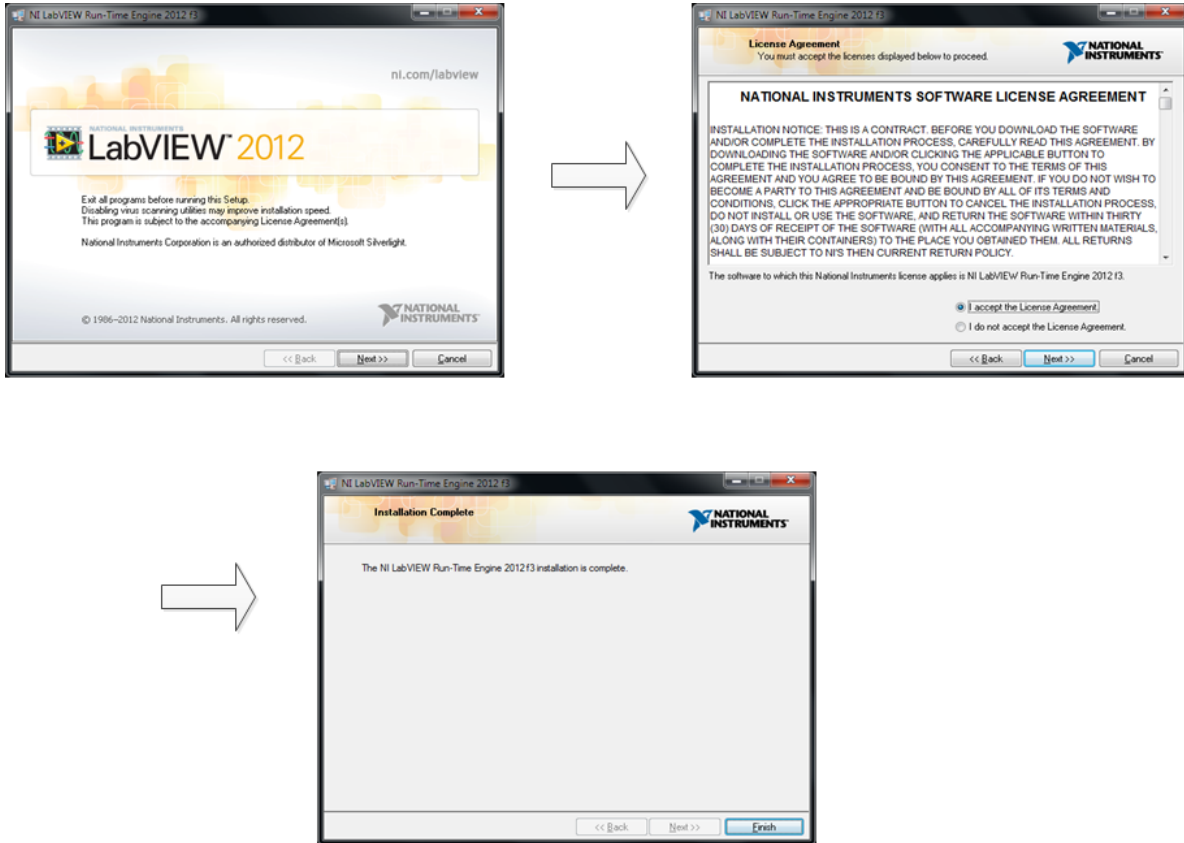


Figure 8. LabVIEW Run-Time Engine Installation

Verify that C:\Program Files (x86)\Texas Instruments\ADS131M08EVM is as shown in Figure 9 after these installations.

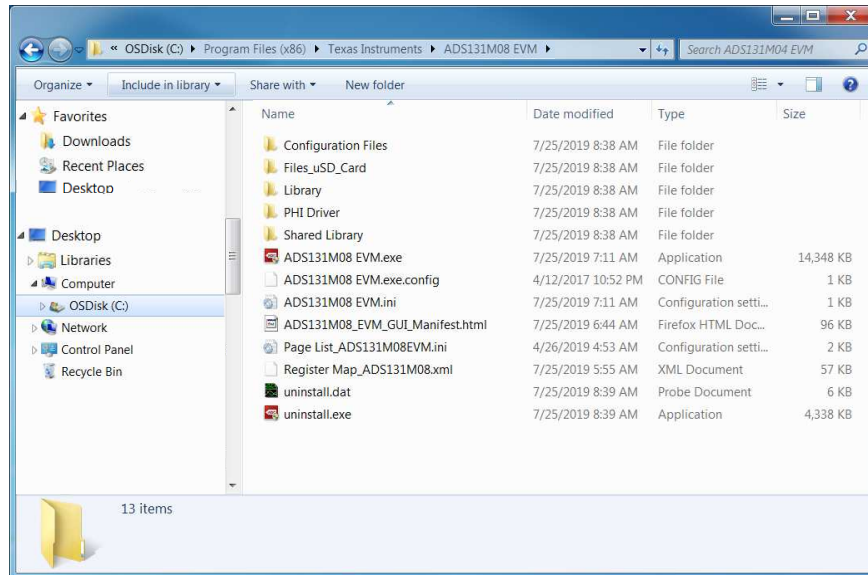


Figure 9. ADS131M08EVM GUI Folder Post-Installation

6 ADS131M08EVM Operation

The following instructions are a step-by-step guide to connecting the ADS131M08EVM to the computer and evaluating the performance of the ADS131M08:

1. Connect the ADS131M08EVM to the PHI. Install the two screws as indicated in Figure 10.
2. Use the provided USB cable to connect the PHI to the computer.
 - LED D5 on the PHI lights up, indicating that the PHI is powered up
 - LEDs D1 and D2 on the PHI start blinking to indicate that the PHI is booted up and communicating with the PC; Figure 10 shows the resulting LED indicators

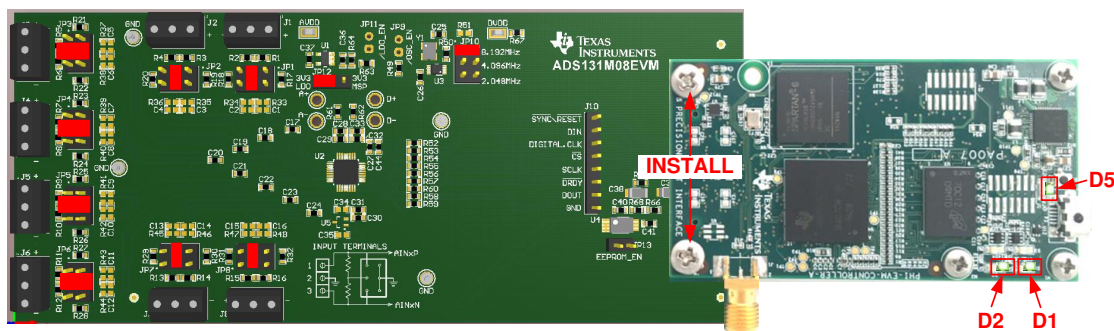


Figure 10. ADS131M08EVM Hardware Setup and LED Indicators

3. Figure 11 shows how to launch the ADS131M08EVM GUI software.

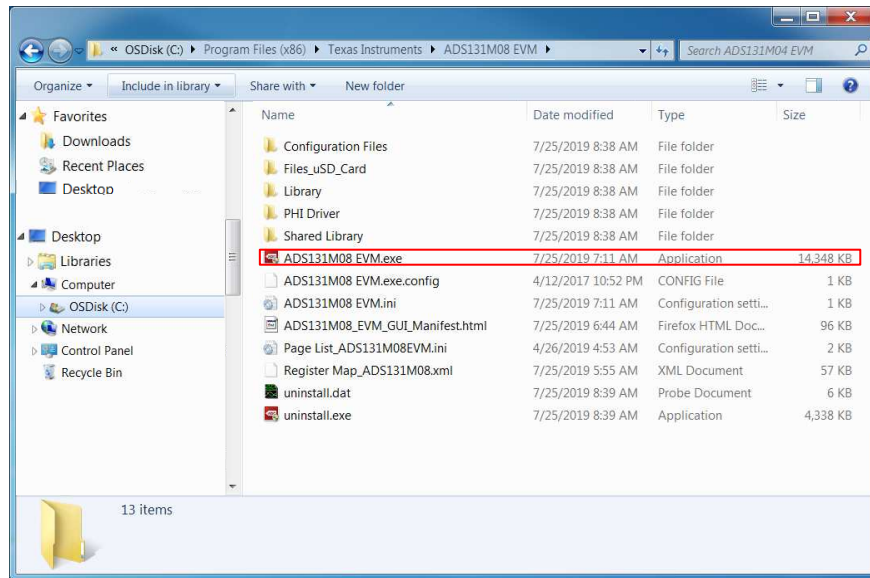


Figure 11. Launch the EVM GUI Software

6.1 EVM GUI Global Settings for ADC Control

Although the EVM GUI does not allow direct access to the levels and timing configuration of the ADC digital interface, the EVM GUI does give users high-level control over virtually all functions of the ADS131M08 including interface modes, sampling rate, and number of samples to be captured. Figure 12 identifies the input parameters of the GUI (as well as their default values) through which the various functions of the ADS131M08 can be exercised.

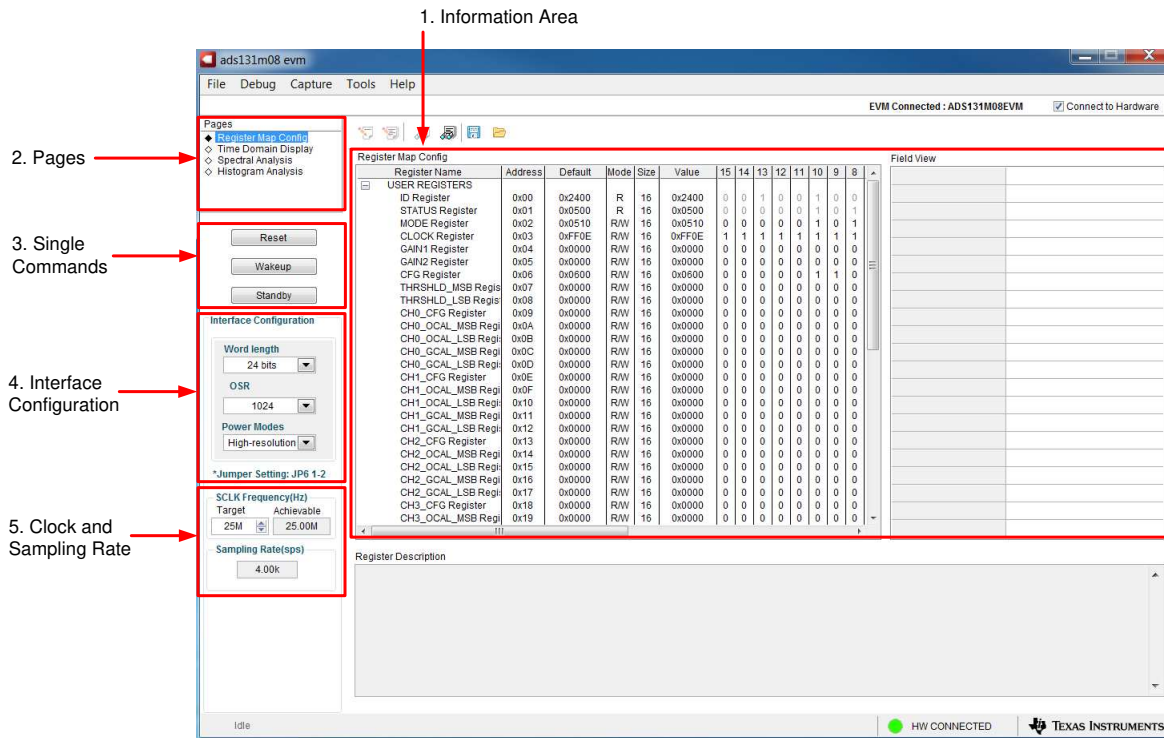


Figure 12. EVM GUI Global Input Parameters

There are four pages available in the ADS131M08EVM GUI. The information area displays the results of each of the pages. Each of these pages display a different control or measurement of the device. The Register Map Config page is used to read and write to the registers of the device. The Time Domain Display page is used to collect a set of data from the device and display the result. The Spectral Analysis page can determine the FFT of the collected data, and the Histogram Analysis page shows a histogram of the collected data and displays basic statistics of the result.

The Single Commands section allows for direct control of the device for three basic functions. First the *Reset* button sends a signal to the SYNC/RESET pin to reset the device. The *Standby* button puts the device into a low-power state in which all channels are disabled, and the reference and other non-essential circuitry are powered down. The *Wakeup* button exits the standby mode.

The Interface Configuration options in this pane allows the user to choose from different frame word sizes available on the ADS131M08. This section also sets the data rate by setting the oversampling ratio (OSR) in the ADC. Finally, this section can be used to set the power modes in the registers. The ADS131M08 can be set to high-resolution, low-power, and very-low-power modes in conjunction with the jumper settings of JP6 for the CLKIN pin, as outlined in Table 4. This information is also discussed in Section 2.2.

The Clock and Sampling Rate section allows the user to specify a target SCLK frequency (in Hz) and the GUI tries to match this frequency as closely as possible by changing the PHI PLL settings, but the achievable frequency may differ from the target value entered. This section also displays the sampling rate of the ADC as controlled by the OCR.

The GUI is switched between hardware mode and simulation mode by checking and unchecking the *Connected to Hardware* box in the top right area of the screen at any time.

6.2 Register Map Configuration Tool

The register map configuration tool allows the user to view and modify the registers of the ADS131M08. This tool can be selected, as indicated in Figure 13, by clicking on the *Register Map Config* radio button at the Pages section of the left pane. On power-up, the values on this page correspond to the Host Configuration Settings that enable ADC sampling at the maximum sampling rate specified for the ADC. The register values can be edited by double-clicking the corresponding value field. If interface mode settings are affected by the change in register values, this change reflects on the left pane immediately. The changes in the register value reflect on the ADS131M08 device on the ADS131M08EVM based on the Update Mode selection, as described in Section 6.1.

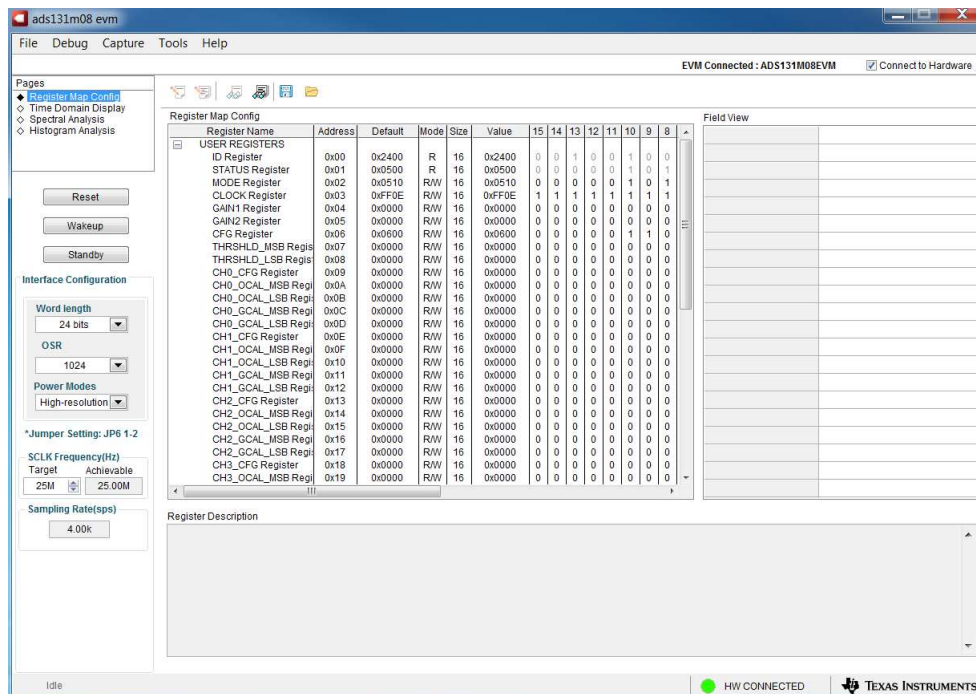


Figure 13. Register Map Configuration

Section 6.3 through Section 6.5 describe the data collection and analysis features of the ADS131M08EVM GUI.

6.3 Time Domain Display Tool

The time domain display tool allows visualization of the ADC response to a given input signal. This tool is useful for both studying the behavior and debugging any gross problems with the ADC or drive circuits.

The user can trigger a capture of the data of the selected number of samples from the ADS131M08EVM, as per the current interface mode settings indicated in Figure 14 by using the *Capture* button. The sample indices are on the x-axis and there are two y-axes showing the corresponding output codes as well as the equivalent analog voltages based on the specified reference voltage. Switching pages to any of the Analysis tools described in the subsequent sections causes calculations to be performed on the same set of data.

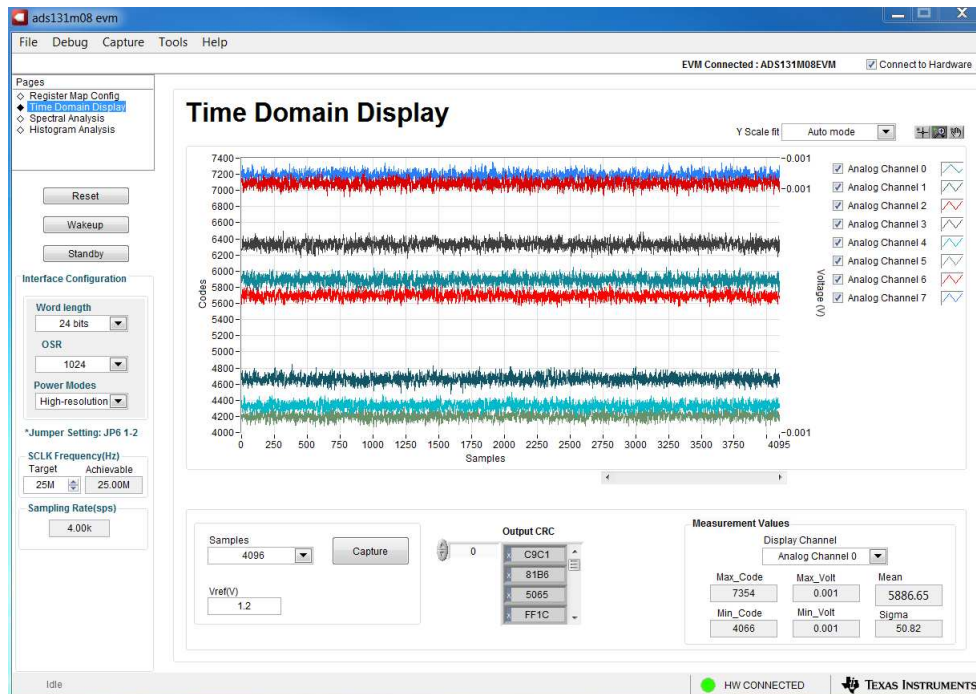


Figure 14. Time Domain Display Tool Options

6.4 Spectral Analysis Tool

The spectral analysis tool, shown in Figure 15, is intended to evaluate the dynamic performance (SNR, THD, SFDR, SINAD, and ENOB) of the ADS131M08 ADC through single-tone sinusoidal signal FFT analysis using the 7-term Blackman-Harris window setting.

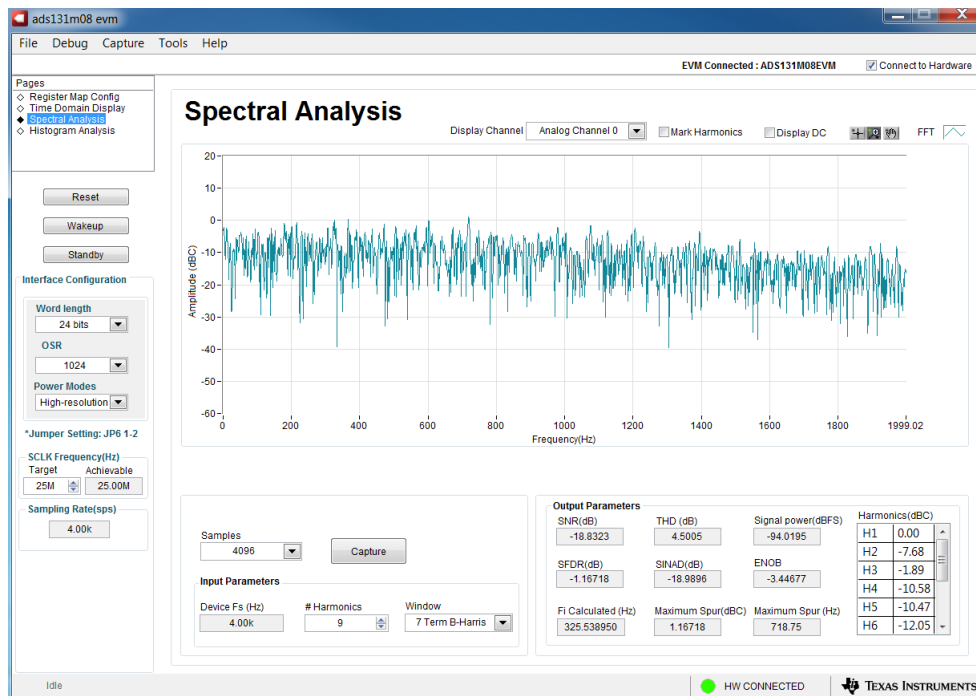


Figure 15. Spectral Analysis Tool

The FFT tool includes windowing options that are required to mitigate the effects of non-coherent sampling (this discussion is beyond the scope of this document). The 7-Term Blackman Harris window is the default option and has sufficient dynamic range to resolve the frequency components of up to a 24-bit ADC. The None option corresponds to not using a window (or using a rectangular window) and is not recommended.

6.5 Histogram Tool

Noise degrades ADC resolution and the histogram tool can be used to estimate effective resolution, which is an indicator of the number of bits of ADC resolution losses resulting from noise generated by the various sources connected to the ADC when measuring a DC signal. The cumulative effect of noise coupling to the ADC output from sources such as the input drive circuits, the reference drive circuit, the ADC power supply, and the ADC itself is reflected in the standard deviation of the ADC output code histogram that is obtained by performing multiple conversions of a DC input applied to a given channel.

As shown in [Figure 16](#), the histogram corresponding to a DC input is displayed on clicking the *Capture* button.

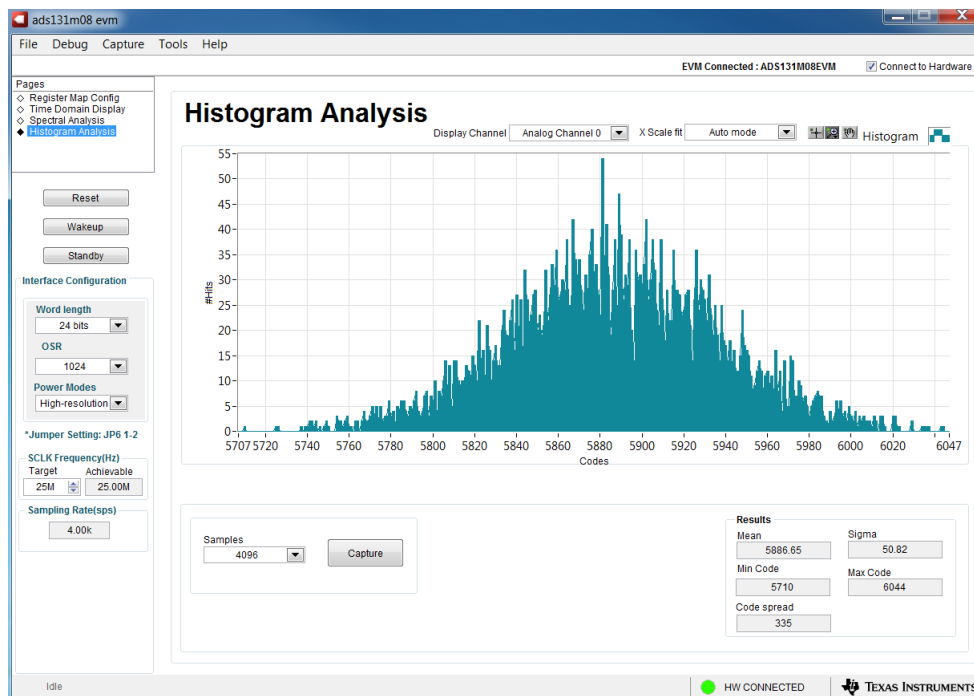


Figure 16. Histogram Analysis Tool

7 ADS131M08EVM Bill of Materials, PCB Layout, and Schematic

7.1 Bill of Materials

Table 9 lists the ADS131M08EVM bill of materials.

Table 9. ADS131M08EVM Bill of Materials

Designator	Quantity	Value	Description	Package Reference	Part Number	Manufacturer
C17, C18, C19, C20, C21, C22, C23, C24	8	1000pF	CAP, CERM, 1000 pF, 25 V, +/- 10%, COG/NP0, 0603	0603	C0603C102K3GACTU	Kemet
C25, C26, C31, C32, C40, C41	6	0.1uF	CAP, CERM, 0.1 uF, 25 V, +/- 5%, X7R, 0603	0603	C0603C104J3RAC	Kemet
C27	1	0.22uF	CAP, CERM, 0.22 uF, 25 V, +/- 5%, X7R, 0603	0603	C0603C224J3RAC7867	Kemet
C30, C33, C36, C37	4	1uF	CAP, CERM, 1 uF, 25 V, +/- 10%, X7R, 0603	0603	C0603C105K3RACTU	Kemet
C38, C39	2	10uF	CAP, CERM, 10 uF, 25 V, +/- 10%, X7R, 1206_190	1206_190	C1206C106K3RACTU	Kemet
C44	1	10pF	CAP, CERM, 10 pF, 50 V, +/- 5%, COG/NP0, 0603	0603	C0603C100J5GACTU	Kemet
H1, H2	2		Machine Screw Pan PHILLIPS M3		RM3X4MM 2701	APM HEXSEAL
H3, H4	2		ROUND STANDOFF M3 STEEL 5MM		9774050360R	Würth Elektronik
H5, H6, H7, H8	4		Bumpon, Hemisphere, 0.44 X 0.20, Clear	Transparent Bumpon	SJ-5303 (CLEAR)	3M
H9	1		Cable, USB-A to micro USB-B, 1 m - Kitting item		102-1092-BL-00100	CnC Tech
H10	1		PHI-EVM Controller Kitting item Edge# 6591636		PA007	Texas Instruments
J1, J2, J3, J4, J5, J6, J7, J8	8		Terminal Block, 3.5mm Pitch, 3x1, TH	10.5x8.2x6.5mm	ED555/3DS	On-Shore Technology
J9	1		Header(Shrouded), 19.7mil, 30x2, Gold, SMT	Header (Shrouded), 19.7mil, 30x2, SMT	QTH-030-01-L-D-A	Samtec
J10	1		Header, 100mil, 8x1, Gold, TH	8x1 Header	TSW-108-07-G-S	Samtec
JP1, JP2, JP3, JP4, JP5, JP6, JP7, JP8, JP10	9		Header, 100mil, 3x2, Gold, TH	3x2 Header	TSW-103-07-G-D	Samtec
JP12	1		Header, 100mil, 3x1, Gold, TH	3x1 Header	TSW-103-07-G-S	Samtec
JP13	1		Header, 100mil, 2x1, Gold, TH	2x1 Header	TSW-102-07-G-S	Samtec

Table 9. ADS131M08EVM Bill of Materials (continued)

Designator	Quantity	Value	Description	Package Reference	Part Number	Manufacturer
R1, R2, R3, R4, R5, R6, R7, R8, R9, R10, R11, R12, R13, R14, R15, R16	16	1.00k	RES, 1.00 k, 1%, 0.1 W, AEC-Q200 Grade 0, 0603	0603	CRCW06031K00FKEA	Vishay-Dale
R17, R18, R19, R20, R21, R22, R23, R24, R25, R26, R27, R28, R29, R30, R31, R32	16	49.9	RES, 49.9, 1%, 0.1 W, AEC-Q200 Grade 0, 0603	0603	CRCW060349R9FKEA	Vishay-Dale
R49, R59, R60, R64	4	100k	RES, 100 k, 1%, 0.1 W, AEC-Q200 Grade 0, 0603	0603	CRCW0603100KFKEA	Vishay-Dale
R50, R53, R54, R55, R56, R57, R58, R63, R65, R66, R67	11	0	RES, 0, 5%, 0.1 W, 0603	0603	RC0603JR-070RL	Yageo
R52	1	10.0	RES, 10.0, 1%, 0.25 W, AEC-Q200 Grade 0, 0603	0603	CRCW060310R0FKEAHP	Vishay-Dale
R61, R62	2	0.1	RES, 0.1, 1%, 0.1 W, AEC-Q200 Grade 1, 0603	0603	ERJ-L03KF10CV	Panasonic
R68	1	10k	RES, 10 k, 5%, 0.1 W, 0603	0603	RC1608J103CS	Samsung Electro-Mechanics
SH-J1, SH-J2, SH-J3, SH-J4, SH-J5, SH-J6, SH-J7, SH-J8, SH-J9, SH-J10	10	1x2	Shunt, 100mil, Flash Gold, Black	Closed Top 100mil Shunt	SPC02SYAN	Sullins Connector Solutions
TP1, TP2	2		Test Point, Miniature, SMT	Testpoint Keystone Miniature	5015	Keystone
TP3, TP4, TP5, TP6	4		Terminal, Turret, TH, Double	Keystone1573-2	1573-2	Keystone
U1	1		250-mA Ultra-Low-Noise, Low-IQ LDO, DBV0005A (SOT-23-5)	DBV0005A	LP5907MFX-3.3/NOPB	Texas Instruments
U2	1		8-Channel, 24-Bit, Simultaneously-Sampling, Delta-Sigma ADC, PBS0032A (TQFP-32)	PBS0032A	ADS131M08IPBSR	Texas Instruments
U3	1		Low-Power Dual Positive-Edge-Triggered D-Type Flip-Flop, DCU0008A (VSSOP-8)	DCU0008A	SN74AUP2G80DCUR	Texas Instruments
U4	1		I2C BUS EEPROM (2-Wire), TSSOP-B8	TSSOP-8	BR24G32FVT-3AGE2	Rohm

Table 9. ADS131M08EVM Bill of Materials (continued)

Designator	Quantity	Value	Description	Package Reference	Part Number	Manufacturer
Y1	1		Oscillator, 8.192 MHz, 15 pF, AEC-Q200 Grade 1, SMD	3.2x2.5mm	SIT8924BA-22-33E-8.192000G	SiTime
C1, C2, C3, C4, C5, C6, C7, C8, C9, C10, C11, C12, C13, C14, C15, C16	0	0.01uF	CAP, CERM, 0.01 uF, 25 V, +/- 5%, C0G/NP0, 0603	0603	C0603H103J3GACTU	Kemet
C28, C34, C35	0	1uF	CAP, CERM, 1 uF, 25 V, +/- 10%, X7R, 0603	0603	C0603C105K3RACTU	Kemet
C29	0	0.1uF	CAP, CERM, 0.1 uF, 25 V, +/- 5%, X7R, 0603	0603	C0603C104J3RAC	Kemet
C42, C43	0	10uF	CAP, CERM, 10 uF, 25 V, +/- 10%, X7R, 1206_190	1206_190	C1206C106K3RACTU	Kemet
FID1, FID2, FID3	0		Fiducial mark. There is nothing to buy or mount.	N/A	N/A	N/A
J11, J12	0		Connector, Receptacle, 100mil, 10x2, Gold plated, SMD	10x2 Receptacle	SSW-110-22-F-D-VS-K	Samtec
JP9, JP11	0		Header, 100mil, 2x1, Gold, TH	2x1 Header	TSW-102-07-G-S	Samtec
R33, R34, R35, R36, R37, R38, R39, R40, R41, R42, R43, R44, R45, R46, R47, R48	0	1.00k	RES, 1.00 k, 1%, 0.1 W, AEC-Q200 Grade 0, 0603	0603	CRCW06031K00FKEA	Vishay-Dale
R51, R69, R70	0	0	RES, 0, 5%, 0.1 W, 0603	0603	RC0603JR-070RL	Yageo
TP7, TP8, TP9, TP10	0		Terminal, Turret, TH, Double	Keystone1573-2	1573-2	Keystone
U5	0		30 ppm / degC Drift, 3.9 uA, Voltage Reference, -40 to 125 degC, 3-pin SC70 (DCK), Green (RoHS & no Sb/Br)	DCK0003A	REF3312AIDCKT	Texas Instruments

7.2 PCB Layout

Figure 17 through Figure 22 illustrate the ADS131M08EVM PCB layout.

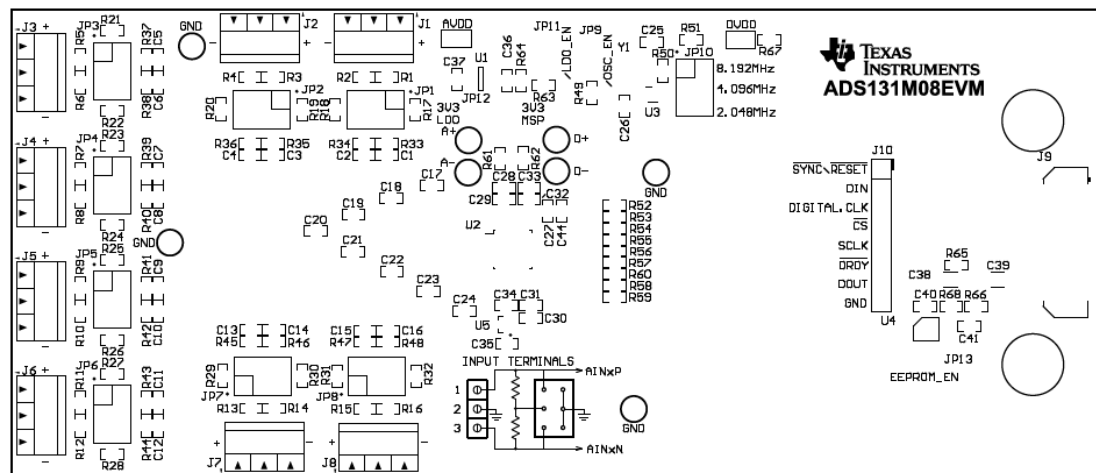


Figure 17. Top Silkscreen

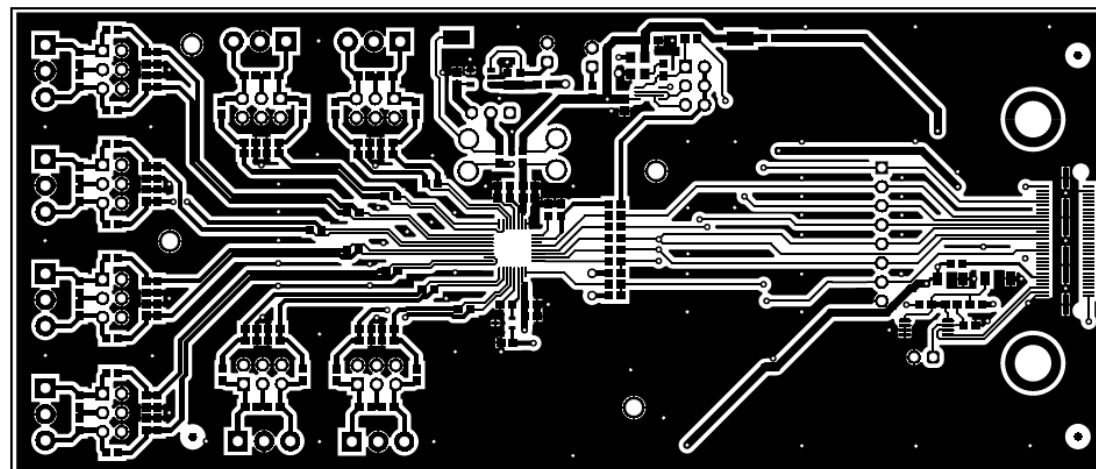


Figure 18. Top Layer

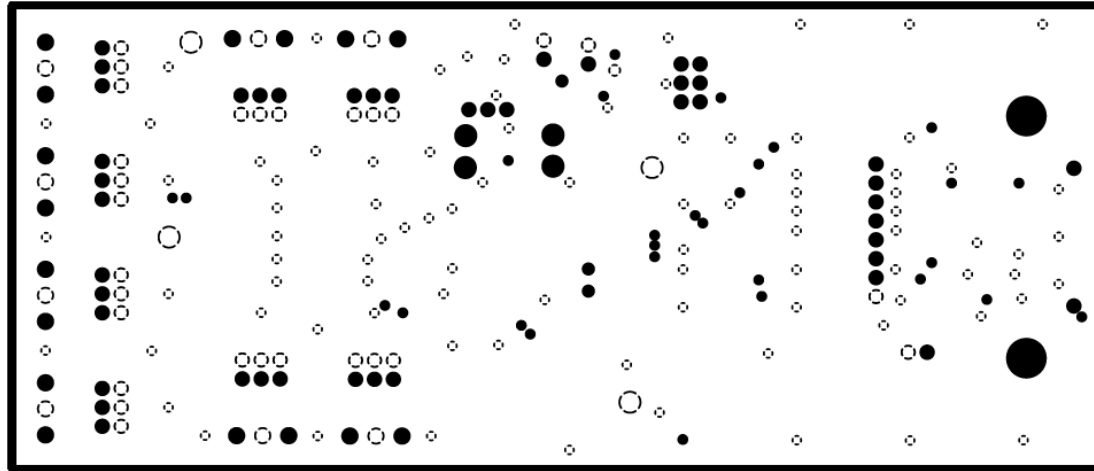


Figure 19. Ground Layer 1

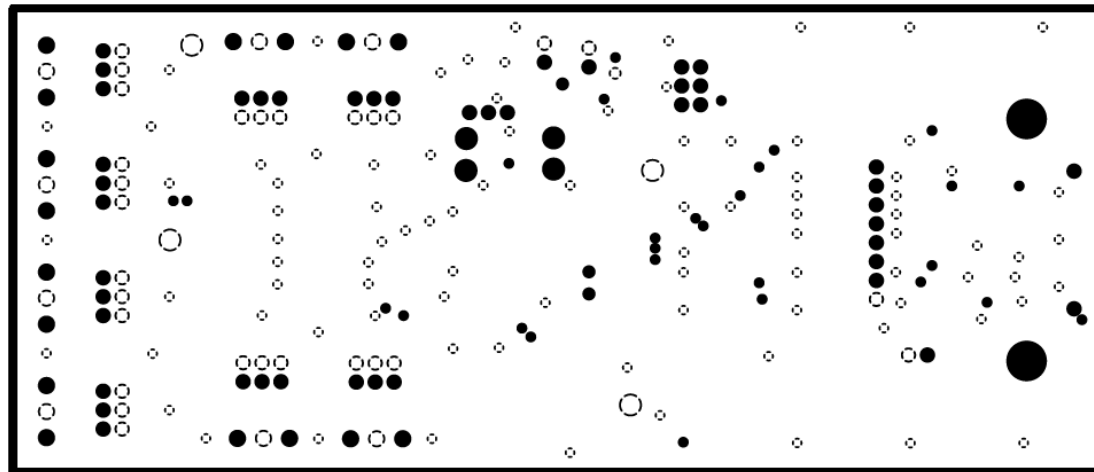


Figure 20. Ground Layer 2

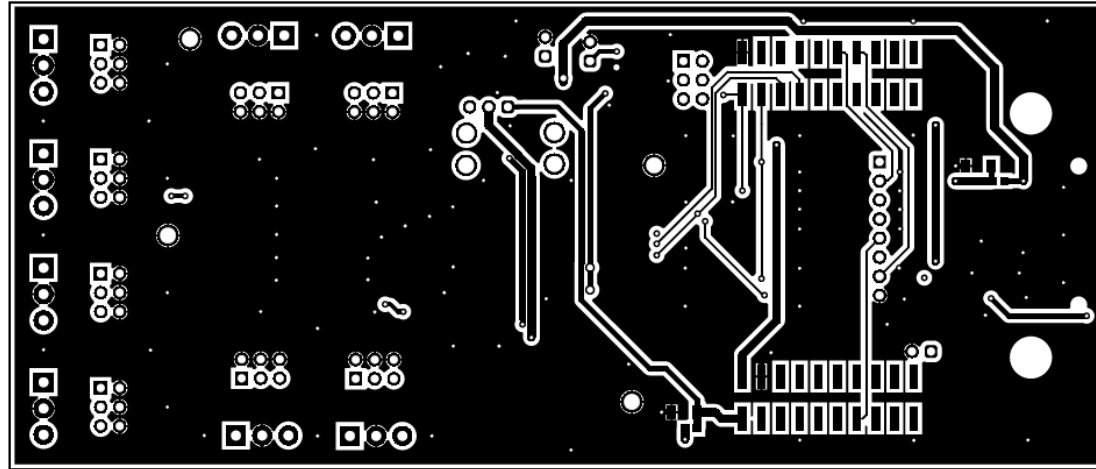


Figure 21. Bottom Layer

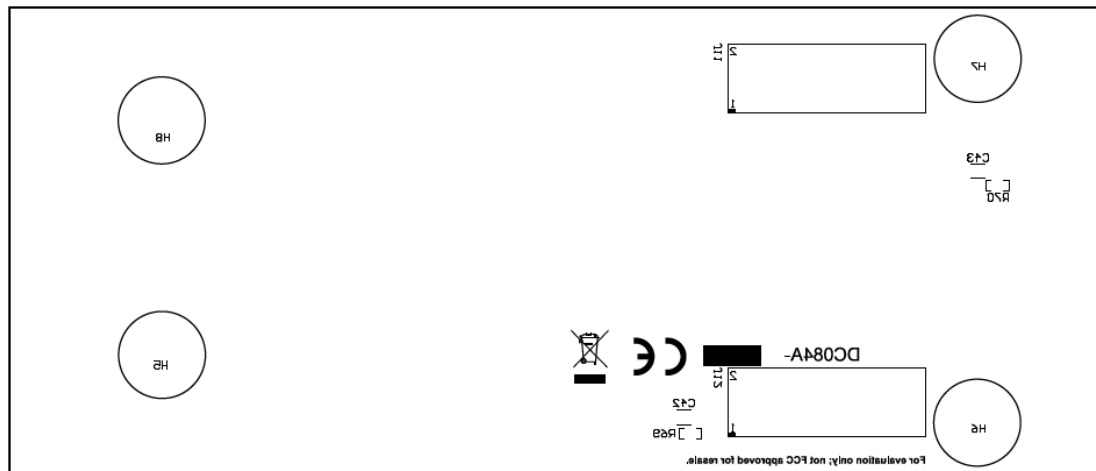
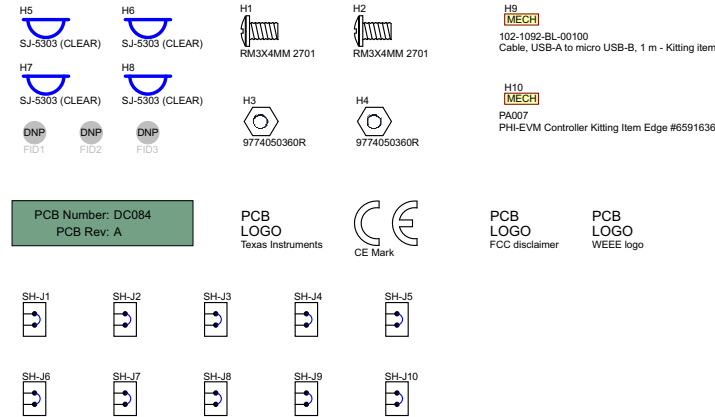


Figure 22. Bottom Silkscreen

7.3 Schematic

Figure 23 and Figure 24 illustrate the ADS131M08EVM schematics.



ZZ1
Assembly Note
 These assemblies are ESD sensitive, ESD precautions shall be observed.

ZZ2
Assembly Note
 These assemblies must be clean and free from flux and all contaminants. Use of no clean flux is not acceptable.

ZZ3
Assembly Note
 These assemblies must comply with workmanship standards IPC-A-610 Class 2, unless otherwise specified.

Figure 23. ADS131M08EVM Hardware Schematic

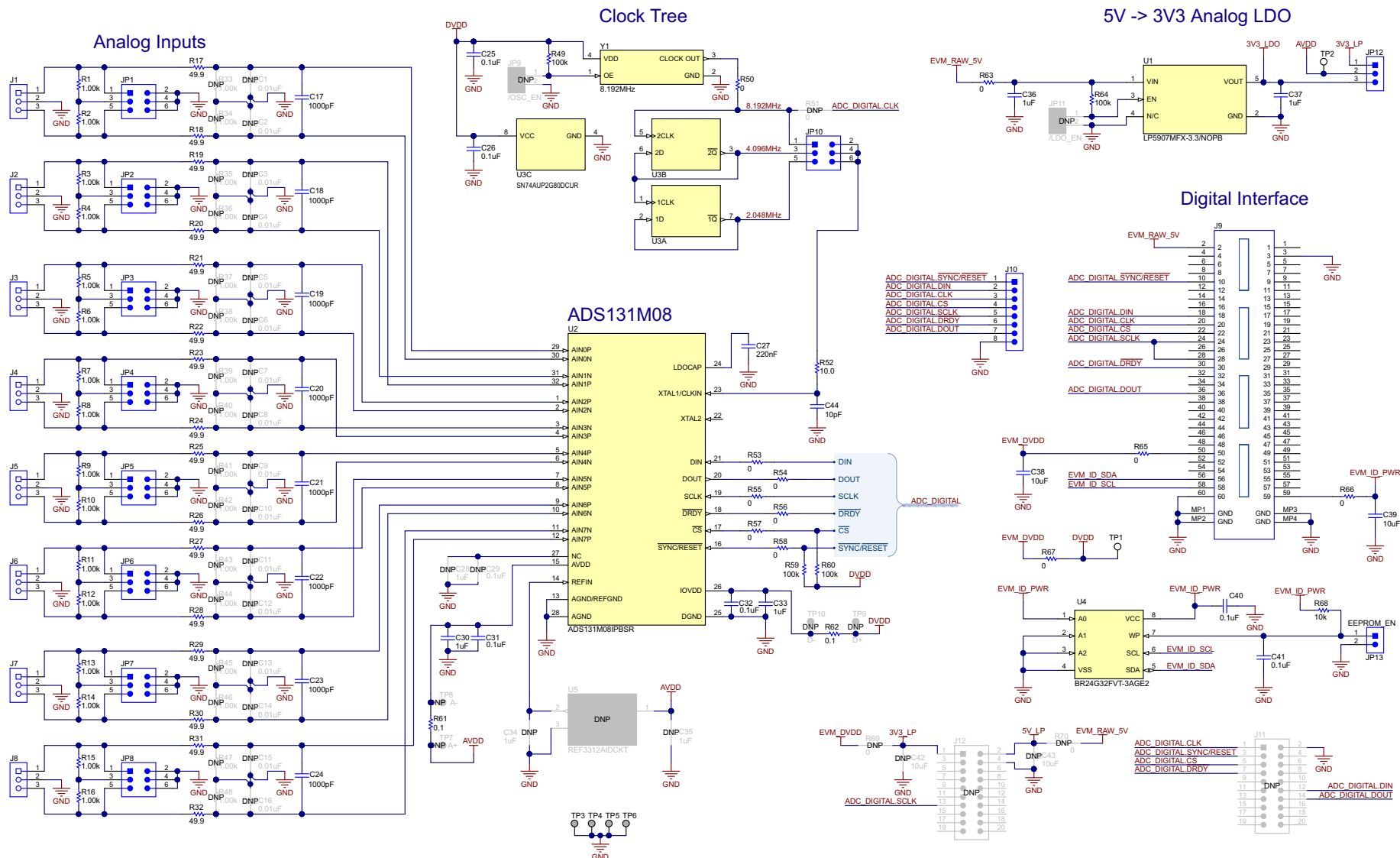


Figure 24. ADS131M08EVM Main Schematic

Revision History

NOTE: Page numbers for previous revisions may differ from page numbers in the current version.

Changes from Original (August 2019) to A Revision	Page
• Changed 4-channel to 8-channel in abstract	1
• Changed <i>Input Terminal Blocks and Headers (Schematic)</i> figure: updated routing and changed two capacitors to DNP .	5
• Changed images in <i>PCB Layout</i> section	26
• Changed figures in <i>Schematic</i> section.....	29

IMPORTANT NOTICE AND DISCLAIMER

TI PROVIDES TECHNICAL AND RELIABILITY DATA (INCLUDING DATA SHEETS), DESIGN RESOURCES (INCLUDING REFERENCE DESIGNS), APPLICATION OR OTHER DESIGN ADVICE, WEB TOOLS, SAFETY INFORMATION, AND OTHER RESOURCES "AS IS" AND WITH ALL FAULTS, AND DISCLAIMS ALL WARRANTIES, EXPRESS AND IMPLIED, INCLUDING WITHOUT LIMITATION ANY IMPLIED WARRANTIES OF MERCHANTABILITY, FITNESS FOR A PARTICULAR PURPOSE OR NON-INFRINGEMENT OF THIRD PARTY INTELLECTUAL PROPERTY RIGHTS.

These resources are intended for skilled developers designing with TI products. You are solely responsible for (1) selecting the appropriate TI products for your application, (2) designing, validating and testing your application, and (3) ensuring your application meets applicable standards, and any other safety, security, regulatory or other requirements.

These resources are subject to change without notice. TI grants you permission to use these resources only for development of an application that uses the TI products described in the resource. Other reproduction and display of these resources is prohibited. No license is granted to any other TI intellectual property right or to any third party intellectual property right. TI disclaims responsibility for, and you will fully indemnify TI and its representatives against, any claims, damages, costs, losses, and liabilities arising out of your use of these resources.

TI's products are provided subject to [TI's Terms of Sale](#) or other applicable terms available either on ti.com or provided in conjunction with such TI products. TI's provision of these resources does not expand or otherwise alter TI's applicable warranties or warranty disclaimers for TI products.

TI objects to and rejects any additional or different terms you may have proposed.

Mailing Address: Texas Instruments, Post Office Box 655303, Dallas, Texas 75265
Copyright © 2022, Texas Instruments Incorporated