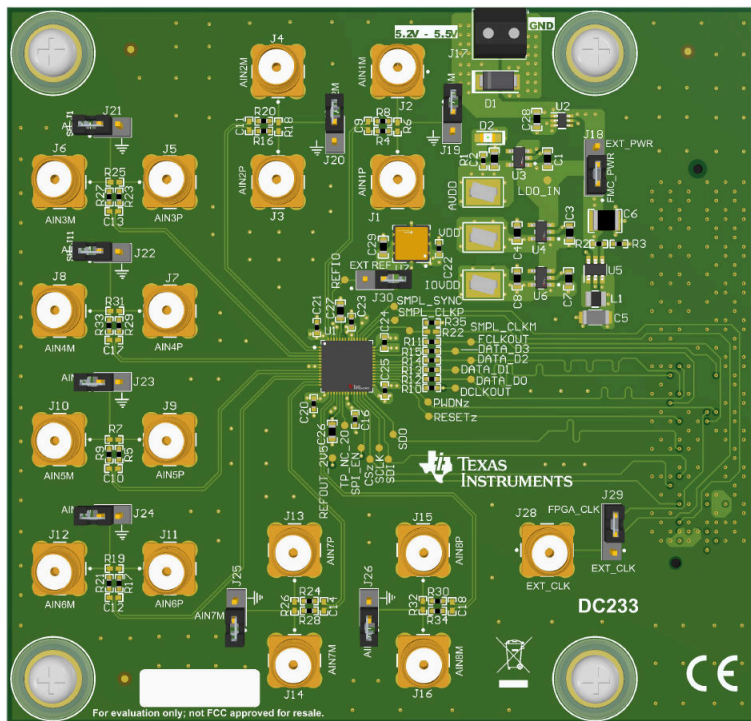


# ADS9813 and ADS9817 Evaluation Modules



## ABSTRACT

This user's guide describes the characteristics, operation, and use of the ADS9813 and the ADS9817 evaluation modules (EVM). These are evaluation platforms for the ADS9813 and ADS9817, respectively. Both devices are 8-channel, 18-bit, 2-MSPS per channel, successive approximation register (SAR) analog-to-digital converters (ADC). The EVMs ease the evaluation of the ADS9813 and ADS9817 devices with hardware, software, and computer connectivity through the universal serial bus (USB) interface. This user's guide includes complete circuit descriptions, schematic diagrams, and a bill of materials (BOM). Throughout this document, the terms *demonstration kit*, *evaluation board*, *evaluation module*, and *EVM* are synonymous with the ADS9813EVM and the ADS9817EVM.



ADS9813EVM / ADS9817EVM Evaluation Module

## Table of Contents

<b>1 Overview</b>	3
1.1 ADS9813EVM and ADS9817EVM Features	3
<b>2 ADS9813EVM and ADS9817EVM Quick Start Guide</b>	5
<b>3 Analog Interface</b>	6
3.1 ADC Input SMA Connections	6
3.2 Voltage Reference	6
<b>4 Digital Interface and Clock Inputs</b>	7
4.1 Digital Interface Connections	7
4.2 Clock Select	9
<b>5 Power Supplies</b>	10
5.1 USB Power and When to Power the Board Externally	10
<b>6 ADS9813EVM and ADS9817EVM Software Reference</b>	11
6.1 ADS9813EVM-GUI and ADS9817EVM-GUI Software Installation	11
6.2 USB Driver Installation	13
6.3 Using the CONFIG Tab	14
6.4 Using the Capture Tab	15
6.5 Using the INL/DNL Tool	16
6.6 Using the Histogram Tab	17
<b>7 Schematics, Layouts, and Bill of Materials</b>	18
7.1 Schematics	18
7.2 Layout	24
7.3 Bill of Materials (BOM)	26
<b>8 Revision History</b>	30

## List of Figures

Figure 1-1. System Using GUI and TSWDC155EVM	3
Figure 1-2. ADS9813EVM and ADS9817EVM Block Diagram	4
Figure 2-1. Connecting the Hardware	5
Figure 3-1. Input SMA Connections Digital Interface	6
Figure 3-2. REF7040	6
Figure 4-1. Digital I/O	7
Figure 4-2. Connections to ADS9817	8
Figure 4-3. Sample Clock Selection	9
Figure 5-1. Power Entry and Regulators	10
Figure 6-1. Initial Software Installation	11
Figure 6-2. Installation Process	12
Figure 6-3. Open Device Manager	13
Figure 6-4. Update Driver With Device Manager	13
Figure 6-5. Initial Required Setup on the Config Tab	14
Figure 6-6. Initial Required Setup on the Capture Tab	15
Figure 6-7. Using the INL/DNL Tool	16
Figure 6-8. Using the Histogram Tab	17
Figure 7-1. ADS9813 Device Connections Schematic	18
Figure 7-2. Power Connections and Regulators Schematic	19
Figure 7-3. Digital Connector Schematic	20
Figure 7-4. ADS9817 Device Connections Schematic	21
Figure 7-5. Power Connections and Regulators Schematic	22
Figure 7-6. Digital Connector Schematic	23
Figure 7-7. Top Overlay	24
Figure 7-8. Top Layer	24
Figure 7-9. GND1 Layer	24
Figure 7-10. GND2 Layer	24
Figure 7-11. Bottom Layer	25
Figure 7-12. Bottom Overlay	25

## List of Tables

Table 1-1. Related Documentation	3
Table 6-1. EVM GUI Installers	11
Table 7-1. ADS9813EVM Bill of Materials	26
Table 7-2. ADS9817EVM Bill of Materials	28

## Trademarks

Microsoft® and Windows® are registered trademarks of Microsoft Corporation. All trademarks are the property of their respective owners.

## 1 Overview

The ADS9813EVM and the ADS9817EVM are platforms for evaluating the performance of the ADS9813 and ADS9817 SAR ADCs, both of which include a PGA front-end to support input voltages of  $\pm 12$  V,  $\pm 10$  V,  $\pm 7$  V,  $\pm 5$  V,  $\pm 3.5$  V, and  $\pm 2.5$  V, both in single-ended and differential configurations. Both ADC cores support 18-bit resolution at 2-MSPS/channel. The ADS9813 ADC features a simultaneous-sampling input structure, while the ADS9817 ADC features a multiplexed input structure.

Both the ADS9813EVM and ADS9817EVM include a standard FMC connector on the bottom of the PCB. The FMC connector can be used to mate with standard FPGA kits, including the [TSWDC155EVM](#) (sold separately). The TSWDC155EVM is a digital controller board that is necessary for the included EVM software GUI to communicate with the device, graph measured results, and compute common figures of merit (for example, SNR and THD).

The following related documents are available for download through the Texas Instruments web site at [www.ti.com](http://www.ti.com).

**Table 1-1. Related Documentation**

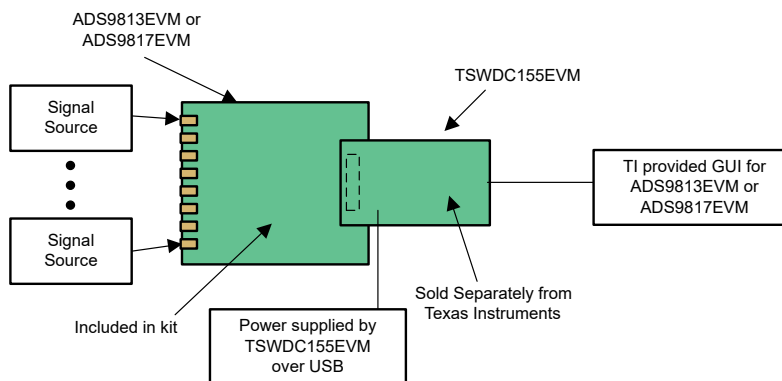
Device	Literature Number
<a href="#">TSWDC155EVM</a>	<a href="#">SLAU870</a>
<a href="#">TPS61070</a>	<a href="#">SLVS510</a>
<a href="#">TPS7A20</a>	<a href="#">SBVS338</a>
<a href="#">LM66100</a>	<a href="#">SLVSEZ8</a>
<a href="#">REF7040</a>	<a href="#">SNAS781</a>

### 1.1 ADS9813EVM and ADS9817EVM Features

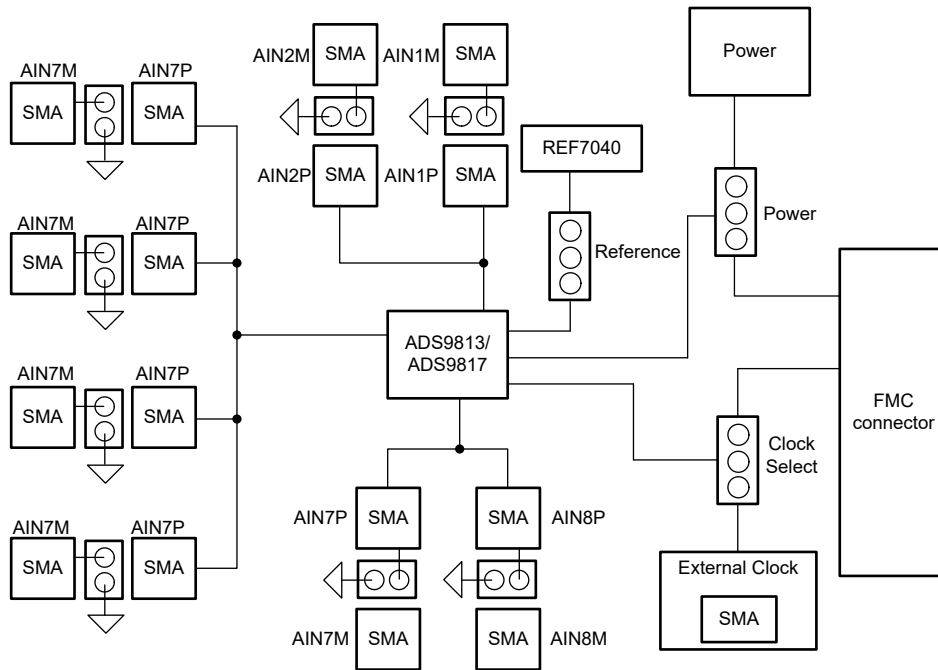
The ADS9813EVM and ADS9817EVM both include the following features:

- ADS9813EVM has the hardware required for diagnostic testing and accurate performance evaluation of the ADS9813 ADC.
- ADS9817EVM has the hardware required for diagnostic testing and accurate performance evaluation of the ADS9817 ADC.
- The TSWDC155EVM controller (sold separately) provides all necessary digital I/O signals and power rails required for operating the ADS9813EVM and the ADS9817EVM.
- Easy-to-use evaluation GUI for Microsoft® Windows® 10, 64-bit operating systems requires the TSWDC155EVM (sold separately) for operation.
- The included software suite features graphical tools for data capture, histogram analysis, spectral analysis, and linearity measurements.

Figure 1-2 depicts the connections and basic subsystems of the EVM.



**Figure 1-1. System Using GUI and TSWDC155EVM**



**Figure 1-2. ADS9813EVM and ADS9817EVM Block Diagram**

## 2 ADS9813EVM and ADS9817EVM Quick Start Guide

The following instructions are a step-by-step guide to connecting the ADS9817EVM to the computer and evaluating the performance of the ADS9817. The same steps can be used for setting up the ADS9813EVM.

1. Review the default jumper settings in [Figure 2-1](#) below as well as the power guidelines in [Section 5.1](#).
2. Physically connect J1 of the TSWDC155EVM to J27 of the ADS9817EVM. This component is the digital communications and power signal connection in default configuration.
3. Set jumper J18 to the FMC\_PWR position so the TSWDC155EVM provides power. Otherwise, set J18 to EXT\_PWR and connect an external 5.2-V to 5.5-V supply on screw terminal connection J17.
4. Bypass any external USB hub and connect the USB on the TSWDC155EVM directly to the computer.

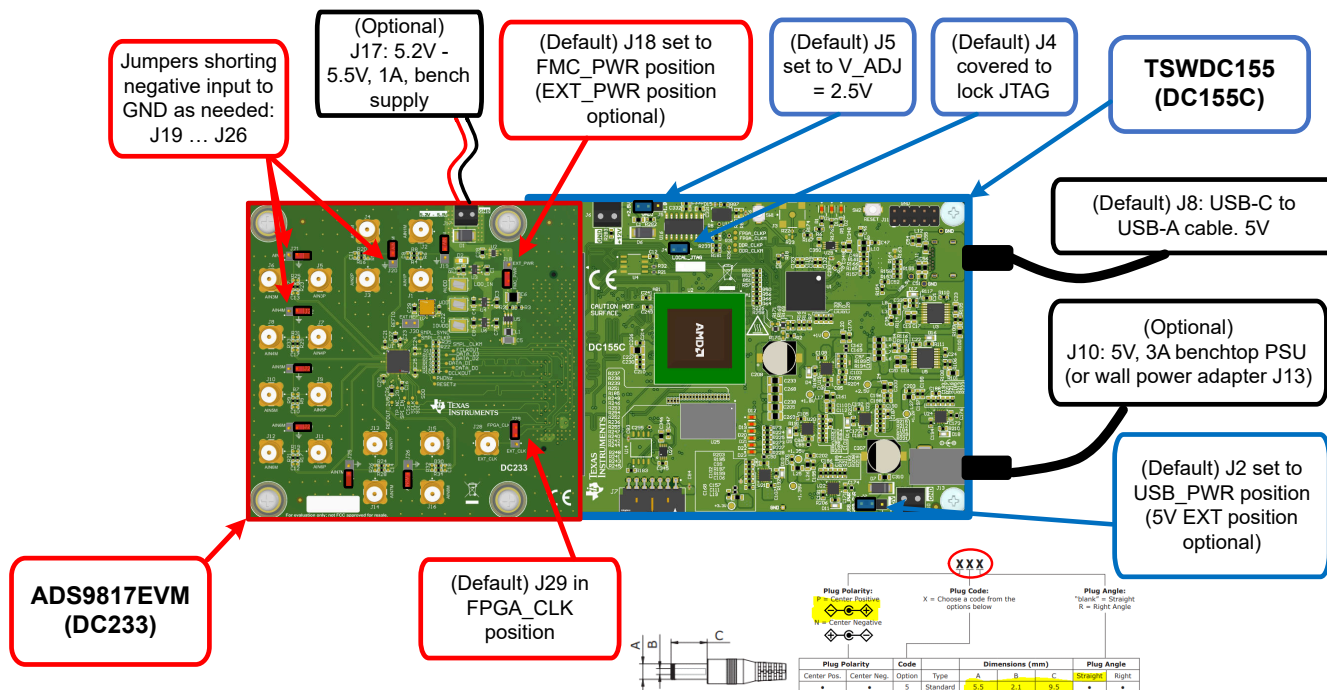


Figure 2-1. Connecting the Hardware

1. Install the GUI as described in [Section 6.1](#).
2. Install the necessary USB drivers as described in [Section 6.2](#).
3. Launch the GUI.
4. Press the *Initialize USB*, *Power Up*, *Program FPGA*, and *Initialize ADS98xx* buttons, in order from top to bottom, on the *Config* tab to power up and configure the EVM, (see [Section 6.3](#) for details).
5. Connect a 10 V<sub>PP</sub>, single-ended sine wave signal from a function generator to any AINxP SMA input connector.
6. Press the *EN SYNC* button on the *Capture* tab.
7. Select the number of samples to be at least 32k points, and choose the Hanning window type for best frequency domain results.
8. Press the *Start Capture* button to collect and analyze the data displayed on the appropriate CHx tab; see [Figure 6-6](#).

### 3 Analog Interface

This section details the analog input connections to the ADS9813EVM and ADS9817EVM.

#### 3.1 ADC Input SMA Connections

Each ADC channel is connected to two SMA input connectors. 0402 footprints are provided to add a first-order, low-pass filter network on all ADC channels. By default, the filter capacitors are uninstalled and the filter resistors are populated with 0 ohms. Use NP0/C0G type capacitors and low-tolerance resistors to maintain AC performance when choosing to populate these footprints with a low-pass filter circuit.

Additionally, the ADC negative input connectors (for example, AIN1M) have the option to be shorted to GND with a jumper to allow for single-ended input signals. Figure 3-1 shows the input connections for a digital interface.

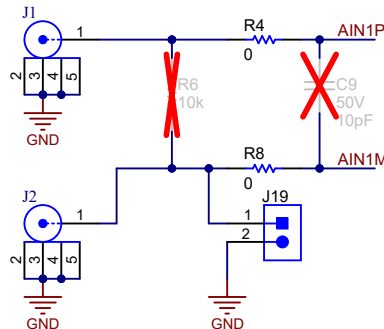


Figure 3-1. Input SMA Connections Digital Interface

#### 3.2 Voltage Reference

The ADS9813 and ADS9817 both use an internal 4.096-V reference voltage, which can be measured on the REFIO pin when configured as an output (default). For applications which require improved drift performance, configure the REFIO pin as an input and apply an external reference voltage to the pin.

The ADS9813EVM and ADS9817EVM include a provision for evaluating the REF7040 reference IC. The REF70xx family of high precision series voltage references offers the industry's lowest noise ( $0.23 \text{ ppm}_{\text{p-p}}$ ), very low temperature drift coefficient ( $2 \text{ ppm}/^\circ\text{C}$ ), and high accuracy ( $\pm 0.025\%$ ). In addition, these precision reference devices feature high PSRR, low drop-out voltage and excellent load and line regulation to help meet strict transient requirements. The REF7040 on the EVM is the 4.096-V output voltage option. To connect the REF7040 to the ADS9813 or the ADS9817, configure the REFIO pin as an input via the GUI and then install a shunt on jumper J30.

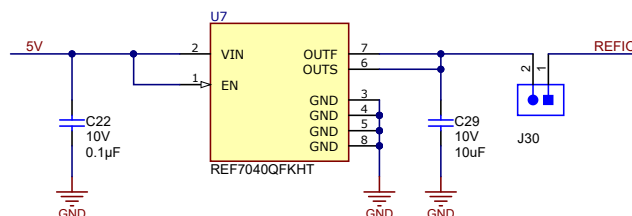


Figure 3-2. REF7040

## 4 Digital Interface and Clock Inputs

This section details the digital interface connections and clocking options for the ADS9813EVM and ADS9817EVM.

### 4.1 Digital Interface Connections

The ADS9813 and ADS9817 use SPI to configure the internal device registers (SCLK, SDI, SDO, CSn, and SPI\_EN). A separate CMOS interface is used for capturing conversion data for each ADC channel using up to four output data lanes (D0, D1, D2, and D3). The SPI and CMOS interface signals connect to the FMC connector. **Figure 4-1** provides the FMC connector signal definition. These signals are also available via test points for scope measurements as indicated in PCB silkscreen.

The FMC connector pinout below can also be interfaced with standard FPGA development kits. Note that the TI-provided software GUI is only compatible with the TSWDC155EVM and third-party software development is not supported.

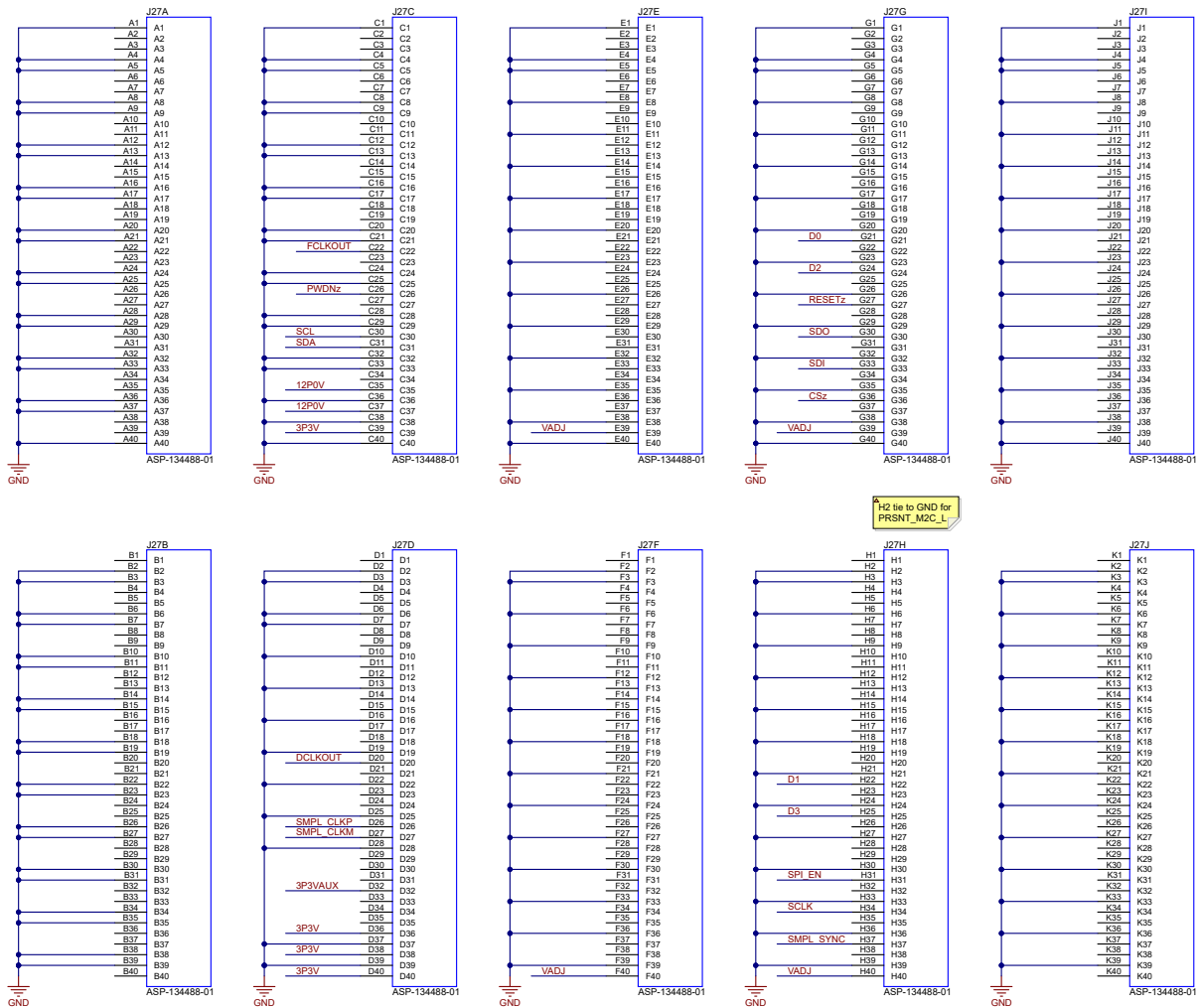
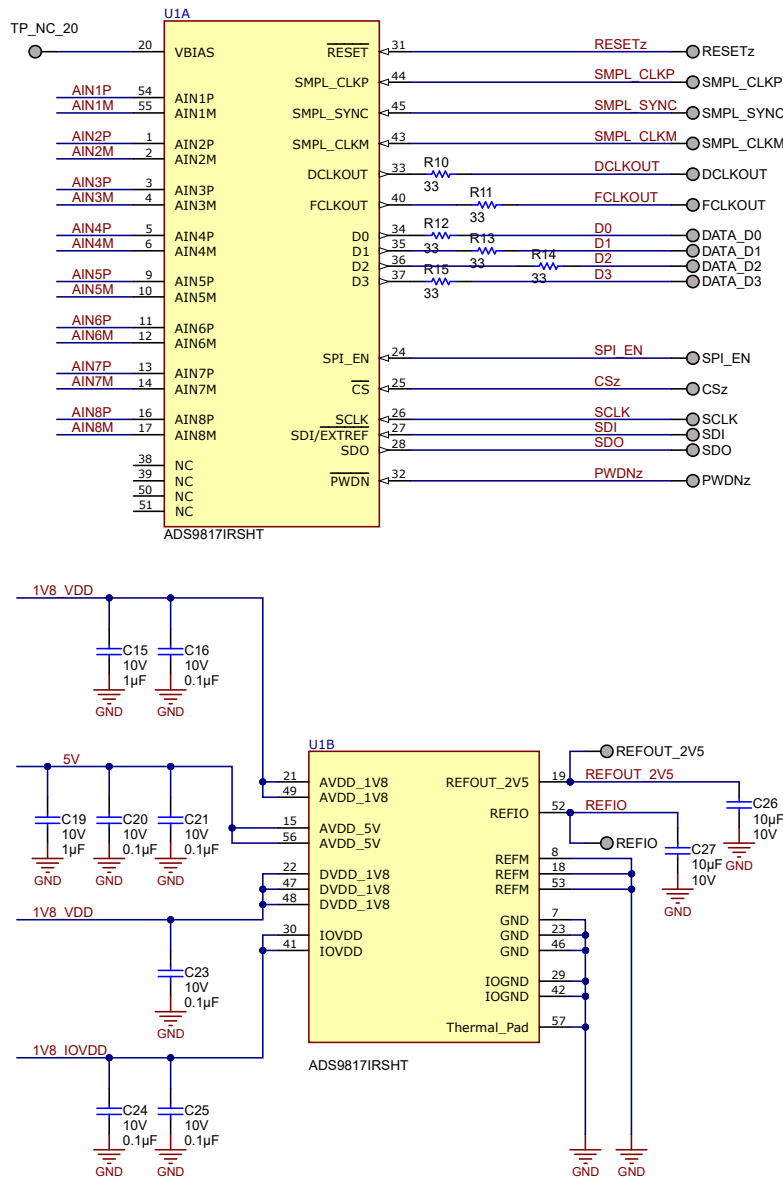


Figure 4-1. Digital I/O

The digital communication lines for the ADS9817 ADC (shown in Figure 4-2) are CMOS interface and are connected with optional termination resistors. The digital communication lines for the ADS9813 ADC are identical and can be seen in Figure 4-2. A digital serial peripheral interface (SPI) port is used to configure registers in the device. Figure 4-2 also shows the necessary decoupling capacitors for analog supplies, digital supplies, and ADC reference voltages.



**Figure 4-2. Connections to ADS9817**

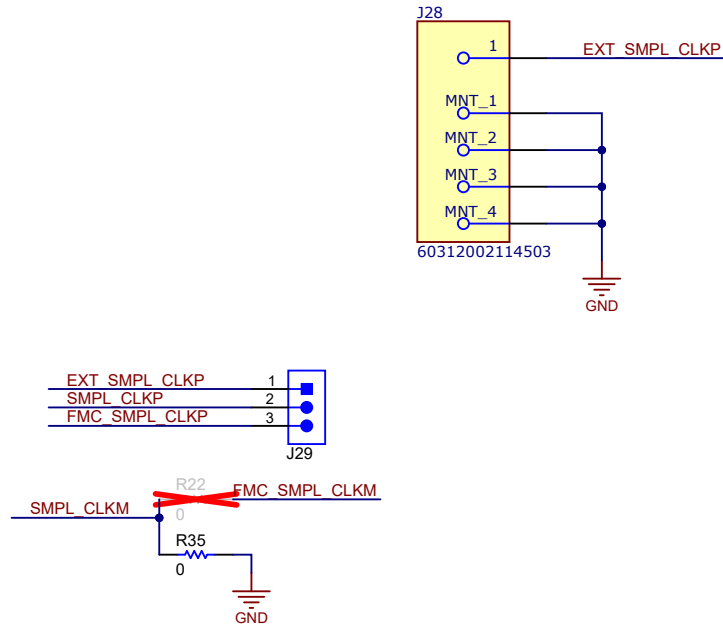


## 4.2 Clock Select

The ADS9813EVM and ADS9817EVM use single-ended sampling clock for ADC conversions. The positive sampling clock input (SMPL\_CLKP) is selected using jumper J29. Install a shunt in the [2-3] position (default) to source the clock signal from the TSWDC155EVM through the FMC connector. This allows the user to select the clock frequency from the options listed in the EVM GUI.

An external clock source can also be used to control ADC conversions. Connect a low-jitter clock source to SMA connector J28 and install a shunt in the [1-2] position on J29.

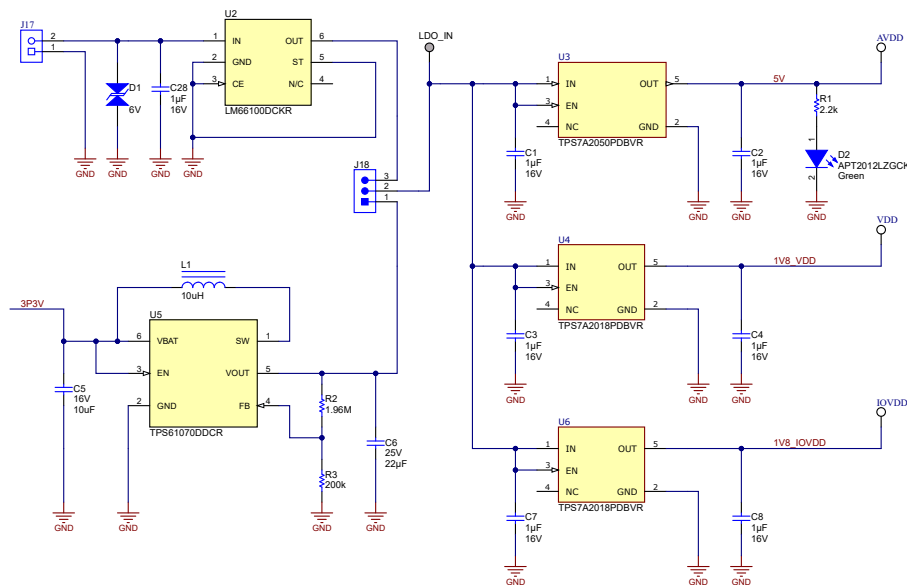
The negative source of the sample clock (SMPL\_CLKM) can be sourced from either the FMC connector (FMC\_SMPL\_CLKM) or GND through R22 or R35, respectively. By default, R35 is populated and R22 is uninstalled.



**Figure 4-3. Sample Clock Selection**

## 5 Power Supplies

By default, the TSWDC155EVM provides the ADS9813EVM and ADS9817EVM with a 3.3-V supply ("3P3V"). The ADS9813EVM and ADS9817EVM both have a TPS61070 boost converter that boosts the 3.3-V supply to 5.4 V. By default, this voltage is applied to low-dropout regulators (LDOs) to derive the AVDD, DVDD, and IOVDD supplies when J18 is in the [1-2] position. U3 (TPS7A2050) provides the 5-V AVDD supply and U4 and U6 (TPS7A2018) provide the 1.8-V DVDD and IOVDD supplies, respectively. The LDO input voltage (LDO\_IN) can be changed to an external source (5.2 V to 5.5 V) applied to terminal block J17 by placing a shunt on J18 in the [2-3] position. In this case U2 (LM66100), provides reverse polarity protection if the connection is wired incorrectly. Figure 5-1 shows the power tree schematic for the ADS9813EVM and ADS9817EVM.



**Figure 5-1. Power Entry and Regulators**

### 5.1 USB Power and When to Power the Board Externally

As discussed in Section 2, the USB-C connector is able to provide power to the TSWDC155EVM and ADS9813EVM or ADS9817EVM using the default configuration. The combined peak current consumption reaches 600 mA (typical) during the ADC conversion process and 520 mA RMS (typical) after the ADS9813EVM or the ADS9817EVM is initialized in the GUI, as described in Section 6.3.

The TWDC155EVM is a high-power SuperSpeed (USB 3.0) device. This means a PC supplies up to 900 mA from a compliant USB 3.0 port. However, many PC USB port configurations allow much less than this limit depending on the unit load handshake process, usually resulting from other devices on the bus. Tripping the current limit on a USB can result in cutting power to the USB port, excessive power dissipation or heating, depending on the PC port configuration. As a result, TI highly recommends to consider switching to an externally powered ADS9813EVM or ADS9817EVM and/or TSWDC155EVM if:

- Only USB 1.0 or USB 2.0 ports are available.
- There are multiple devices connected to the PC by USB at the same time.
- The USB 3.0 port configuration for the PC is unknown.

To switch to the external power configuration on the ADS9813EVM or ADS9817EVM, move the jumper on J18 to the EXT\_PWR position and use the J17 terminal block to provide the required 5.2-V to 5.5-V supply. To switch to the external power configuration on TSWDC155EVM, move the jumper on J2 to the 5 V (external) position and use the J10 terminal block or barrel jack connector to provide the required 5-V supply.

USB hubs can cause possible device enumeration issues and are not recommended when communicating through the TSWDC155EVM.

## 6 ADS9813EVM and ADS9817EVM Software Reference

### 6.1 ADS9813EVM-GUI and ADS9817EVM-GUI Software Installation

This section details the installation and operation of the ADS9813EVM and ADS9817EVM software graphical user interfaces (GUI). These softwares require the TSWDC155EVM (sold separately) controller to operate. The first step to installing the software (as shown in [Figure 6-1](#)) is to download the latest version of the EVM GUI installer as per [Table 6-1](#).

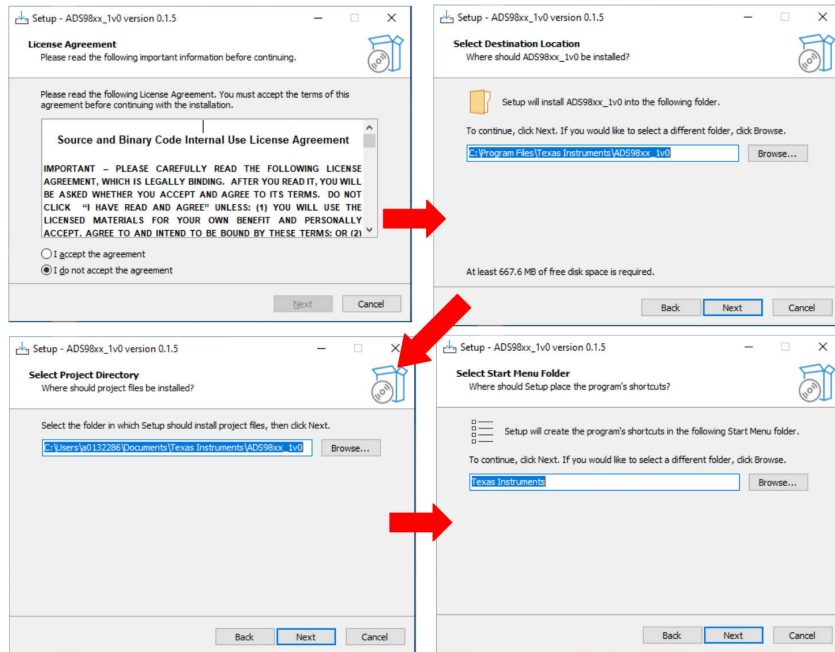
**Table 6-1. EVM GUI Installers**

EVM	Software Download Link
ADS9813EVM	<a href="#">ADS9813EVM-GUI</a>
ADS9817EVM	<a href="#">ADS9817EVM-GUI</a>

Accept all the license agreements and choose the destination location, project directory, and start menu. Typically, the default values work, but these values can be customized as needed based on the user's requirements.

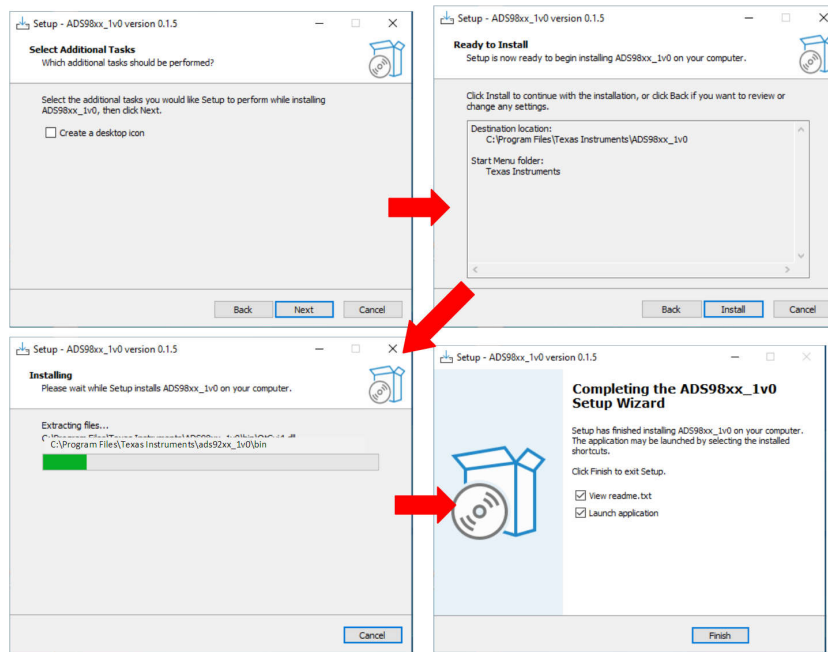
**Note**

*The GUI installer and GUI buttons can differ slightly depending on which specific GUI is being installed.*



**Figure 6-1. Initial Software Installation**

Next, the installer prompts the user to create a desktop icon and summarize the installation plan. Clicking **Install** begins copying software onto the computer. This process takes a few minutes. At completion, the user can launch a readme text file and the application. [Figure 6-2](#) shows these steps.



**Figure 6-2. Installation Process**

## 6.2 USB Driver Installation

This section describes the steps for installing the USB driver.

1. For the TSWDC155, connect J8 to the workstation using a USB-C to USB-A cable.
2. Bypass any USB hub and connect directly to the computer.
3. Open the Windows® Device Manager, as shown in Figure 6-3, and right-click on the *WestBridge* folder in the Device Manager window and select the *Update Driver* button (see Figure 6-4).
4. In the next window that appears, select *Browse my computer for driver software*.
5. Then select *Let me pick from a list of available drivers on my computer* in the next pop-up window.
6. Click on *Have Disk* in the pop-up window and navigate to:
  - a. For ADS9813EVM: C:\Program Files\Texas Instruments\ADS9813\_1v0\bin\proj\_lib\Sparrow\Bootloader
  - b. For ADS9817EVM: C:\Program Files\Texas Instruments\ADS98xx\_1v0\bin\proj\_lib\Sparrow\Bootloader

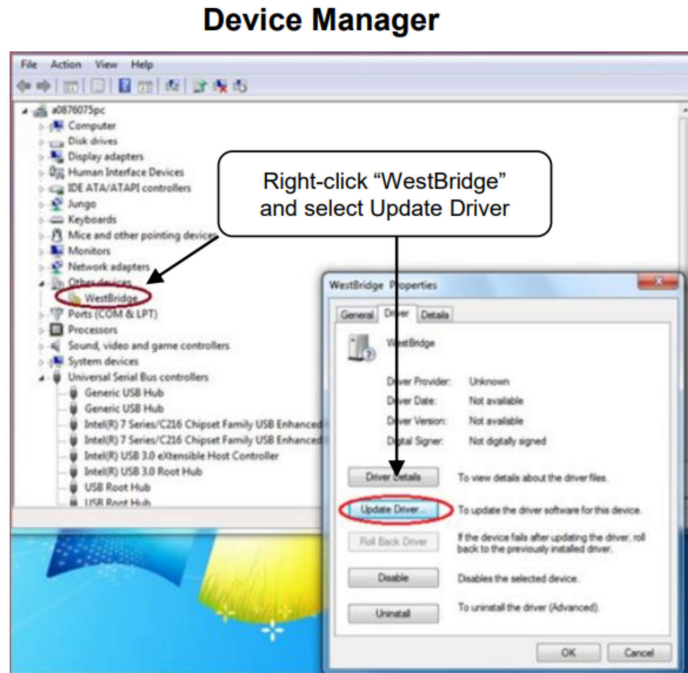


Figure 6-3. Open Device Manager

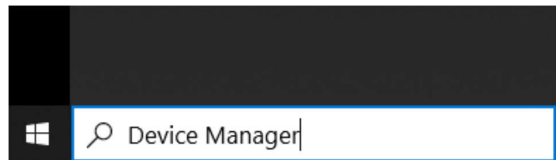


Figure 6-4. Update Driver With Device Manager

### 6.3 Using the CONFIG Tab

After the EVM GUI is started, press the following buttons in the order shown in [Figure 6-5](#) below. Confirm that each step is completed before proceeding by monitoring the Status message. For the Power Up and Program FPGA buttons, some status LEDs on the hardware illuminate. After all four buttons are pressed, the power on the ADS9813EVM or ADS9817EVM is on and the ADS9813 or ADS9817 device registers are configured.

Press the buttons circled below. Wait after each button press for the status to indicate that the step is complete.

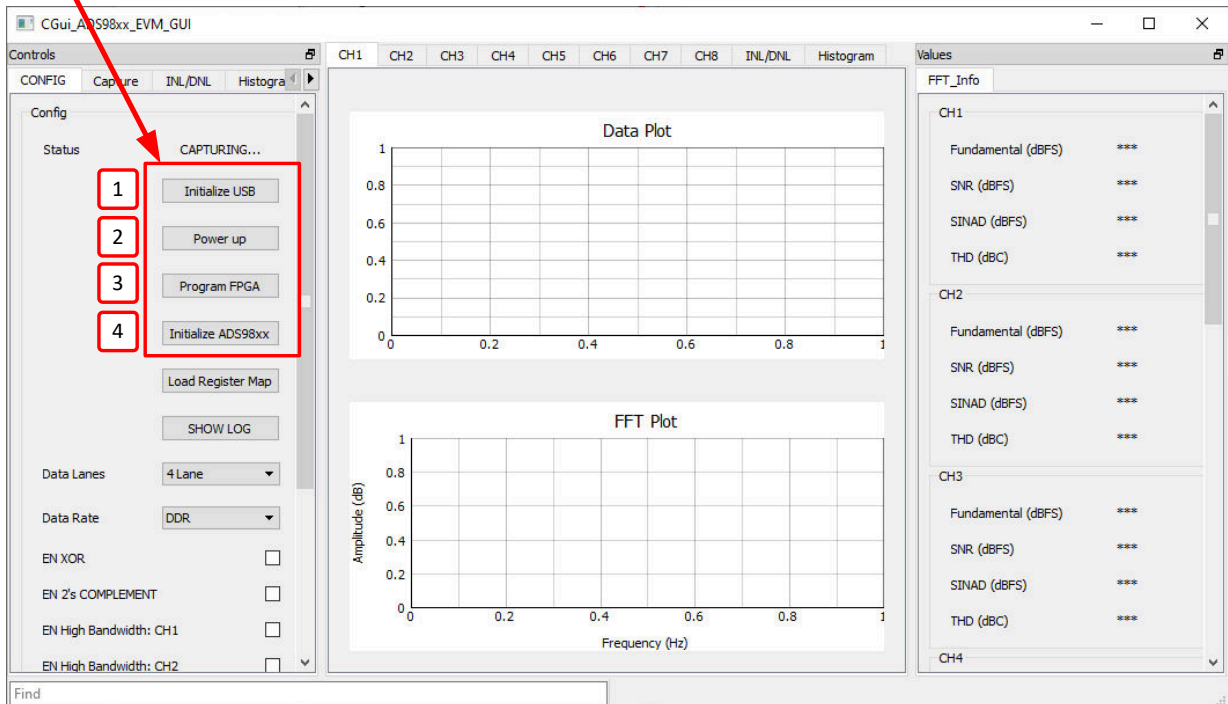
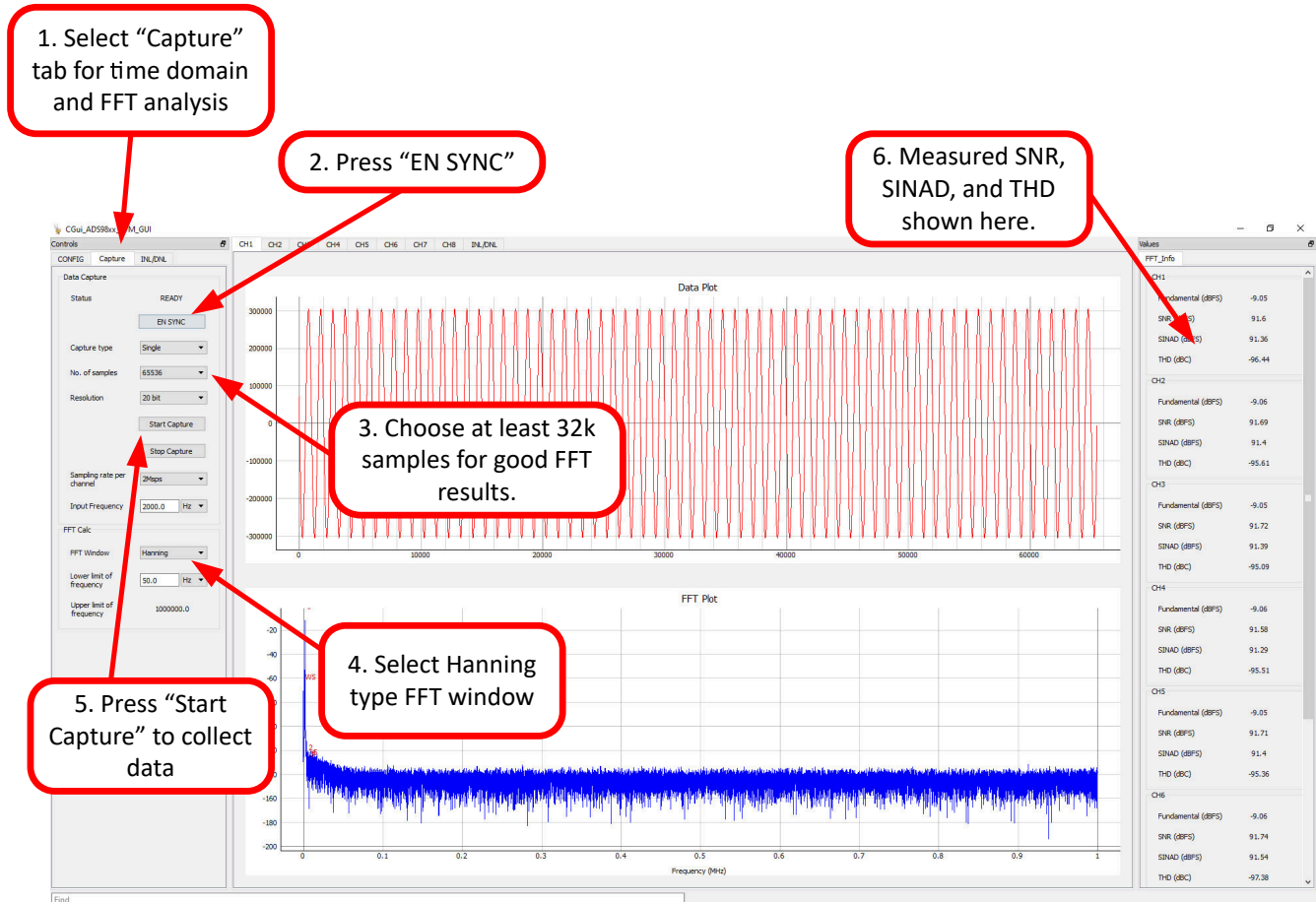


Figure 6-5. Initial Required Setup on the Config Tab

## 6.4 Using the Capture Tab

In **Figure 6-6**, shows an example data capture display. In this step, the necessary updates to the *Capture* settings are made to capture the time domain data and to get a good frequency domain result. First, the EN SYNC button is clicked to generate a synchronization (SYNC) signal. The SYNC signal is only required once during power-up. The SYNC signal resets the internal analog channel selection logic and aligns the FCLKOUT signal to the data frame. Next, update the number of samples to at least 32k to get good frequency domain results (for example, accurate FFT display, SNR data, and THD data). Finally, select the Hanning type window to eliminate spectral leakage in the FFT result.

When these changes are made, press the Start Capture button to collect time domain and frequency domain data. Select the appropriate tab to view data for channel 1 or channel 2.



**Figure 6-6. Initial Required Setup on the Capture Tab**

## 6.5 Using the INL/DNL Tool

The INL/DNL tool measures the linearity of the of the ADS9813EVM or ADS9817EVM by applying a full-scale, low-distortion sinusoidal input signal. The accuracy improves if the number of *hits per code* is increased at the cost of extra test time. Select the channel to measure and the *hits per code*. An input signal greater than full-scale is required to verify that all ADC codes are tested. An input signal of +0.1 dBFS is sufficient. Then press the GET INL/DNL button to run this tool as shown in [Figure 6-7](#).

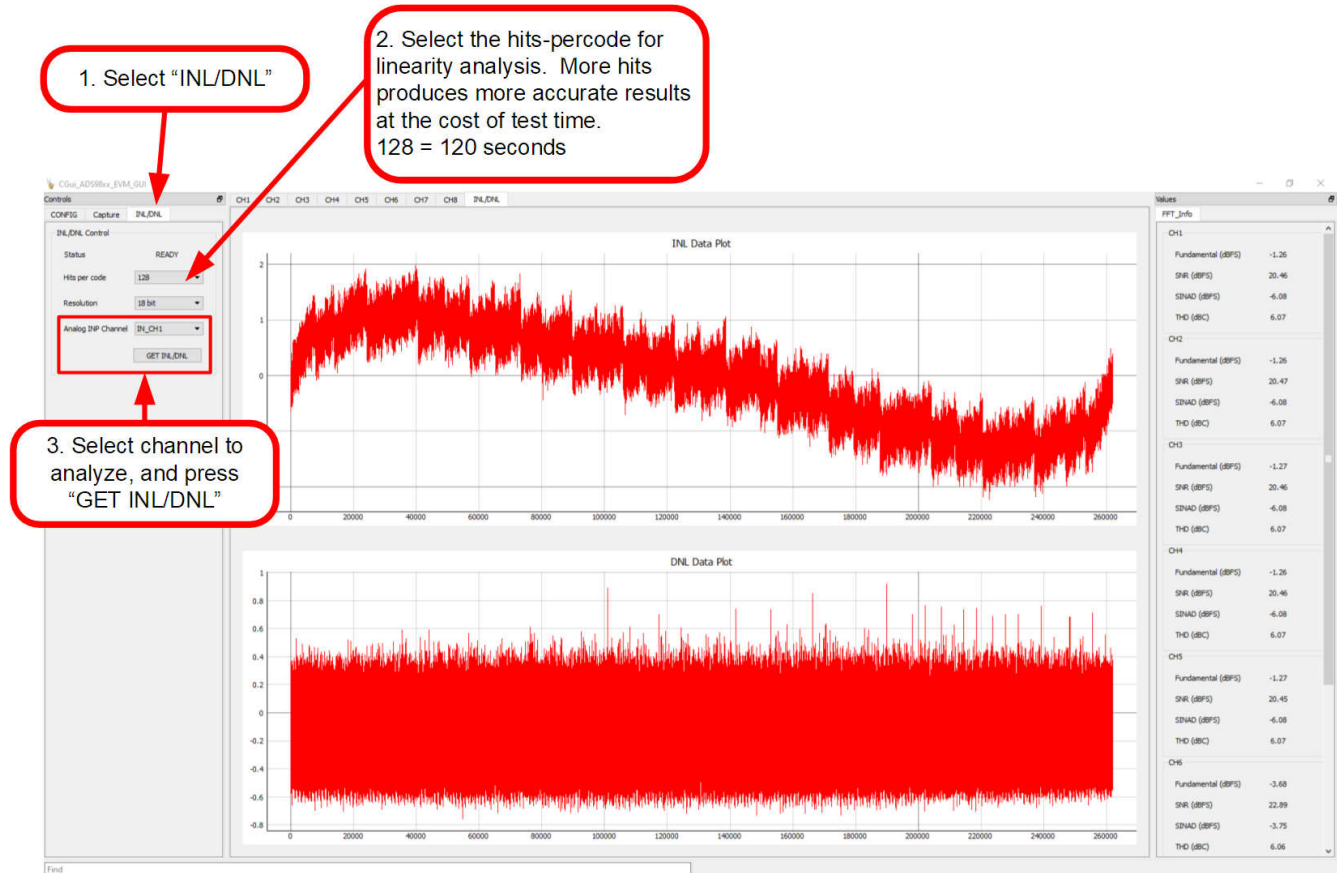


Figure 6-7. Using the INL/DNL Tool



## 6.6 Using the Histogram Tab

The Histogram tool represents the distribution of ADC output codes for a given sample set. The accuracy of the statistical summary can be improved by increasing *hits per code*, which increases the sample size at the cost of extra test time. Select the channel to measure and configure the *hits per code*, *channel*, *resolution*, and enter the reference voltage value. Then, press the **GET HISTOGRAM** button as shown in [Figure 6-8](#).

The cumulative effect of noise coupling to the ADC output comes from sources such as the input drive circuits, the reference drive circuit, the ADC power supply, and the ADC. The total noise is reflected in the standard deviation of the ADC output code histogram that is obtained by performing multiple conversions of a DC input applied to a given channel. Selecting the correct reference voltage gives the result in units of voltage instead of codes.

Note that any data collected the histogram tab is not saved or stored on the *Capture Tab*. As a result, switching between the tabs results in lost data. Saving data on this screen does not provide the raw ADC codes but instead saves the histogram data presented on this tab in codes per bin. To save the raw ADC output values, use the *Capture tab*.



Figure 6-8. Using the Histogram Tab

## 7 Schematics, Layouts, and Bill of Materials

This section contains the ADS9813EVM and ADS9817EVM schematics, printed-circuit board (PCB) layout, and bill of materials (BOM).

### 7.1 Schematics

#### 7.1.1 ADS9813EVM Schematics

The schematics below show the various connections to the ADS9813 device. The digital signals connect to J27, as shown in [Figure 7-3](#), and the analog signals connect to SMA connectors and input filtering. [Figure 7-1](#) also shows the decoupling for the device.

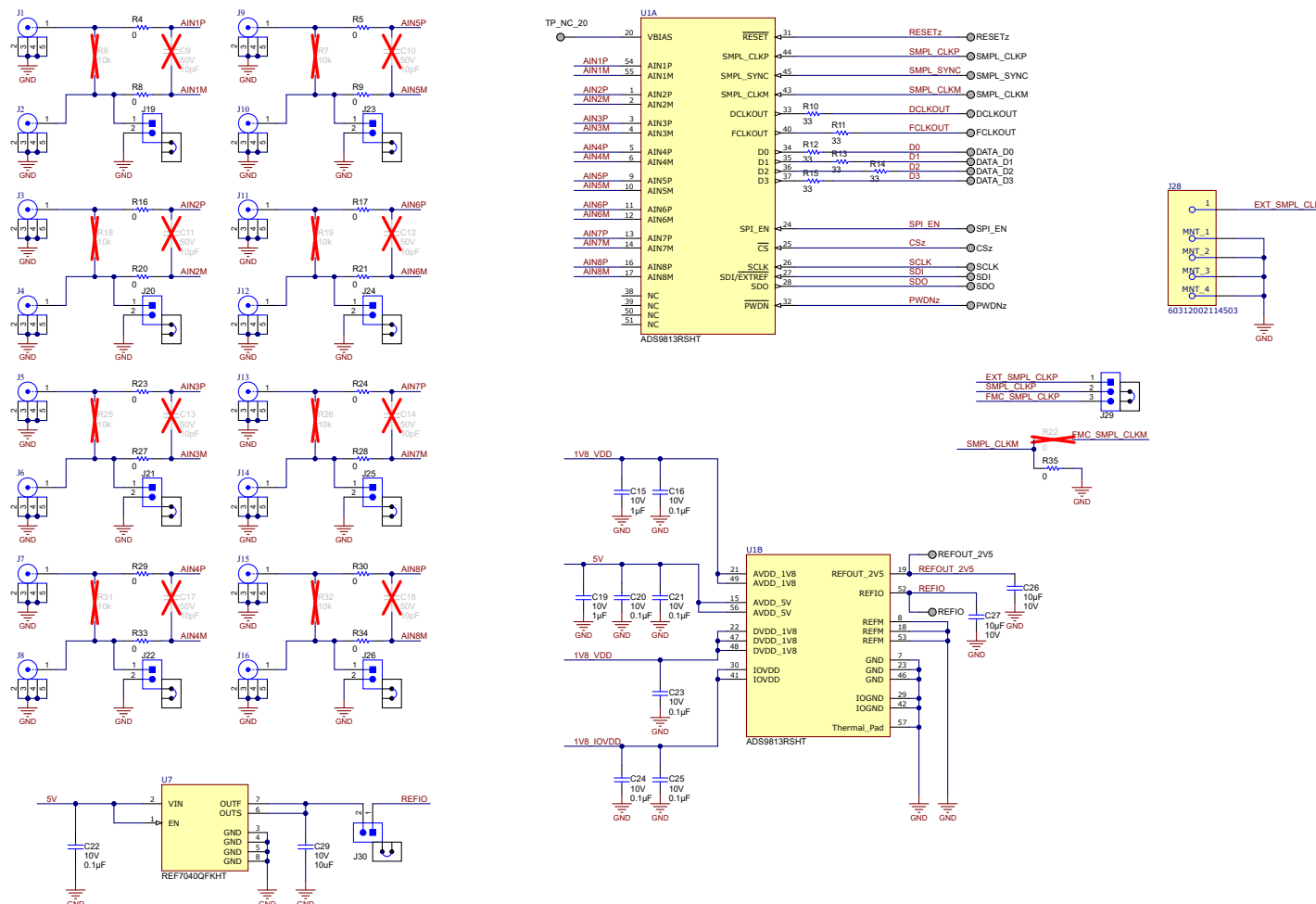
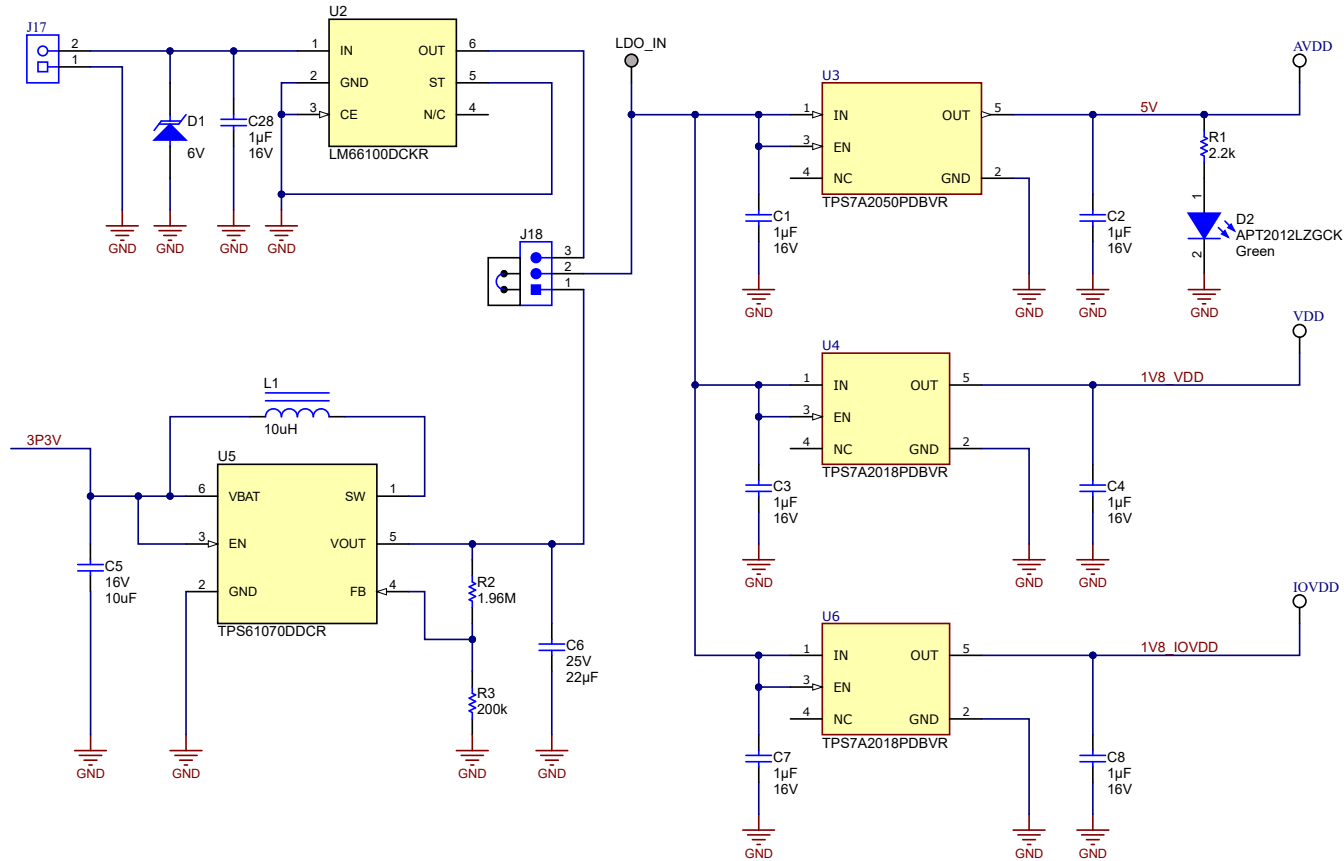


Figure 7-1. ADS9813 Device Connections Schematic



**Figure 7-2. Power Connections and Regulators Schematic**

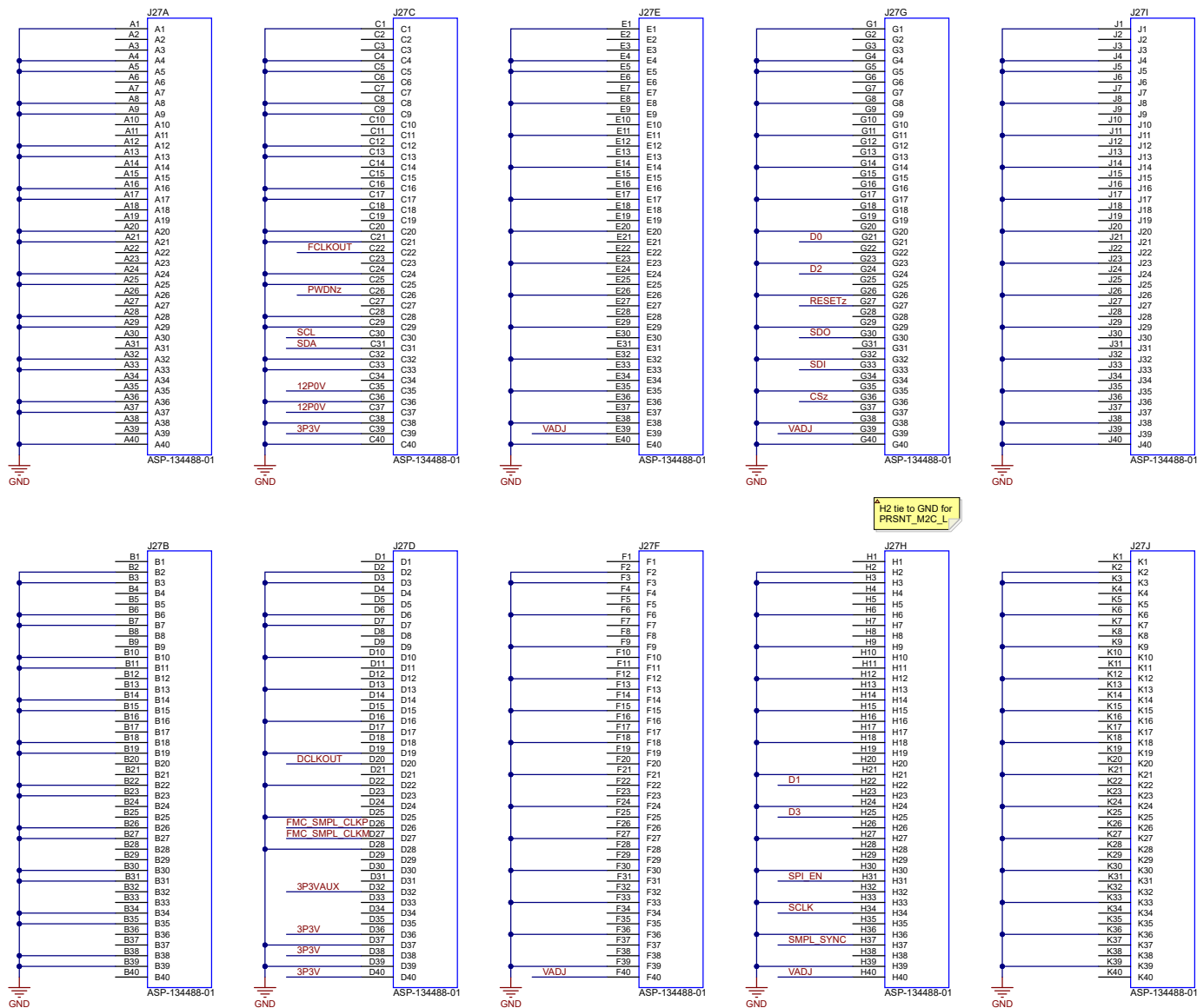


Figure 7-3. Digital Connector Schematic

### 7.1.2 ADS9817EVM Schematics

The schematics below show the various connections to the ADS9817 device. The digital signals connect to J27, as shown in Figure 7-6, and the analog signals connect to SMA connectors and input filtering. Figure 7-4 also shows the decoupling for the device.

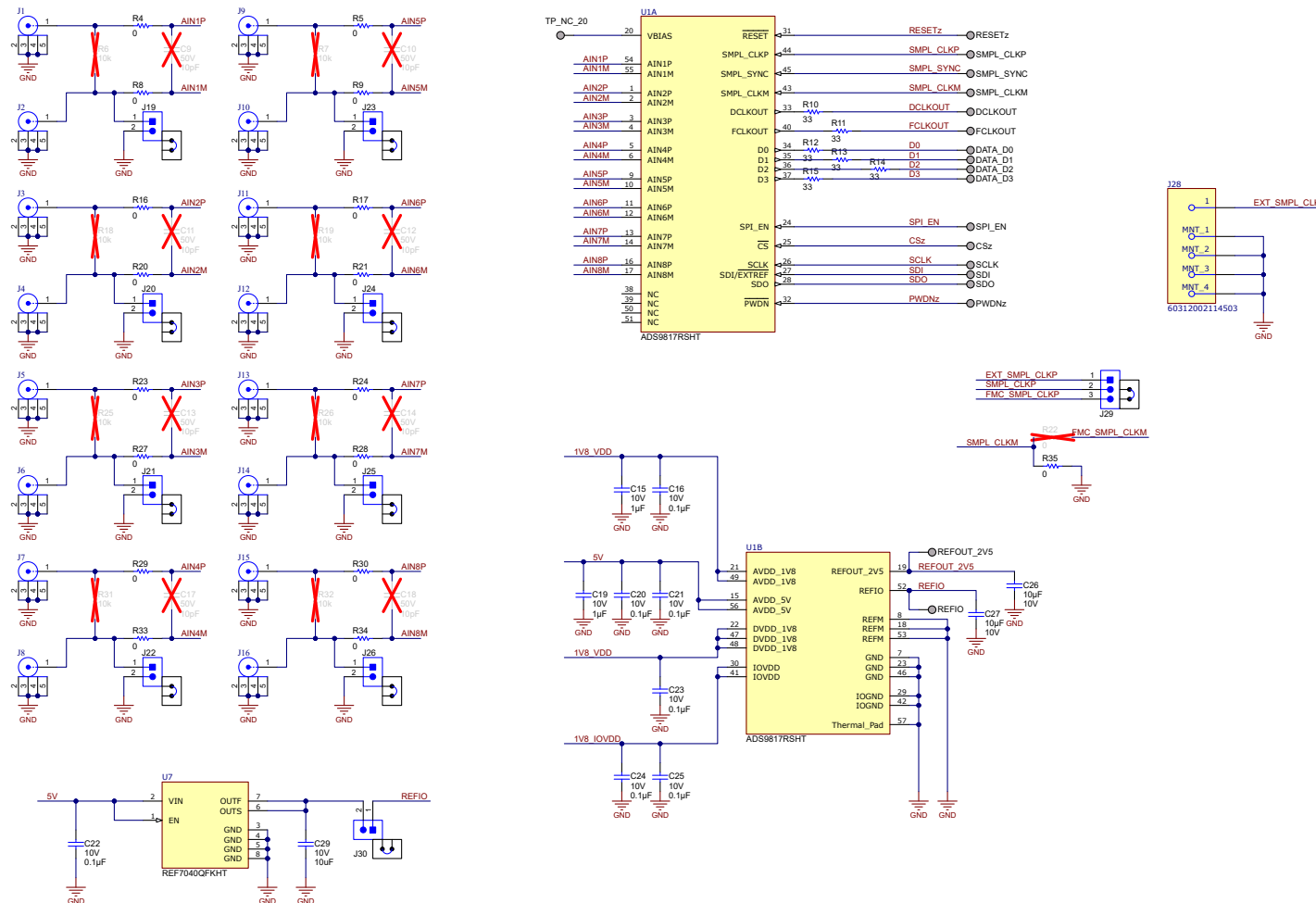
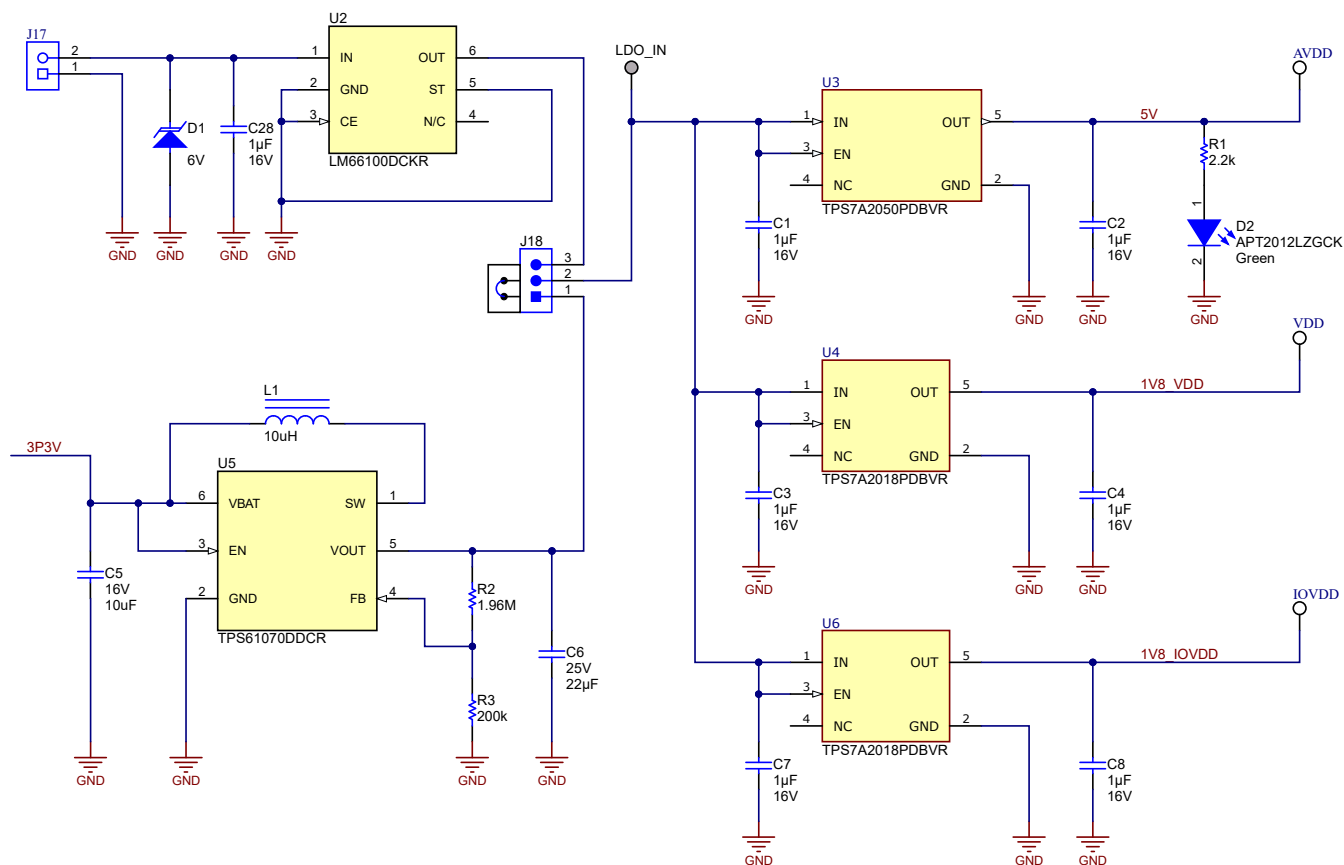


Figure 7-4. ADS9817 Device Connections Schematic



**Figure 7-5. Power Connections and Regulators Schematic**

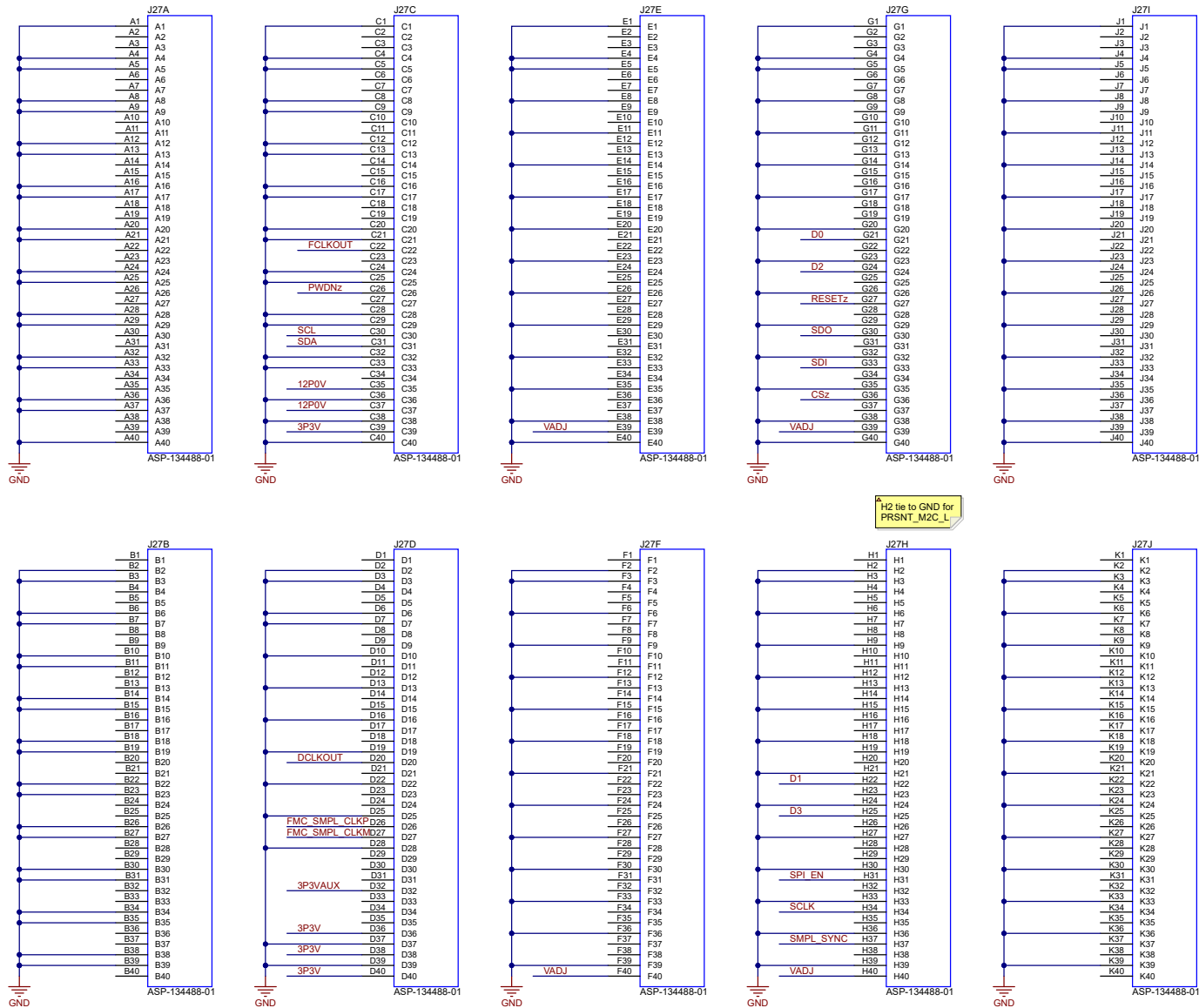


Figure 7-6. Digital Connector Schematic

## 7.2 Layout

The figures below show the PCB layer plots for the ADS9813EVM and the ADS9817EVM.

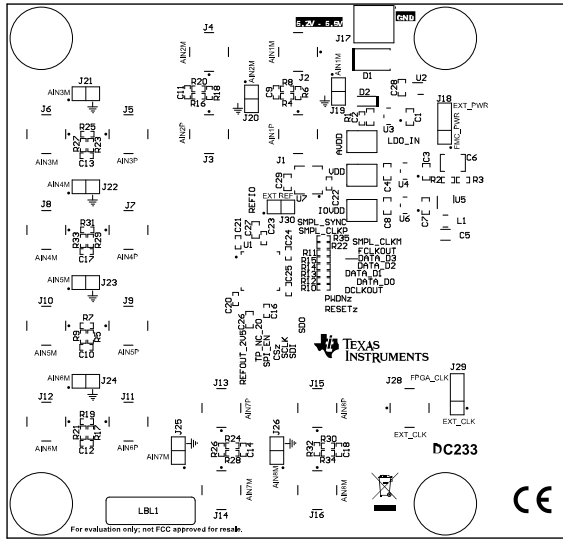


Figure 7-7. Top Overlay

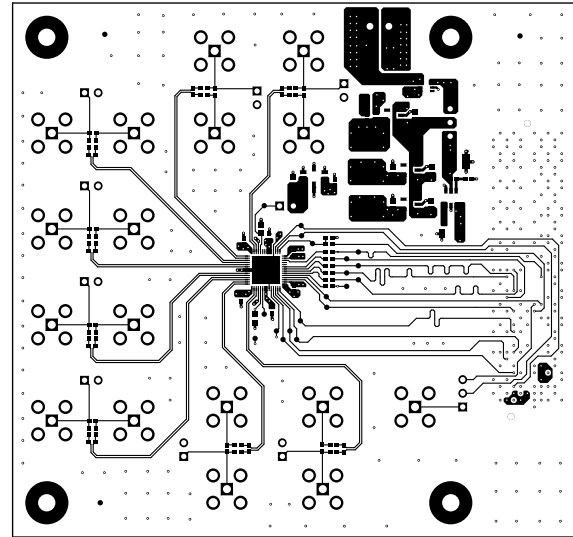


Figure 7-8. Top Layer

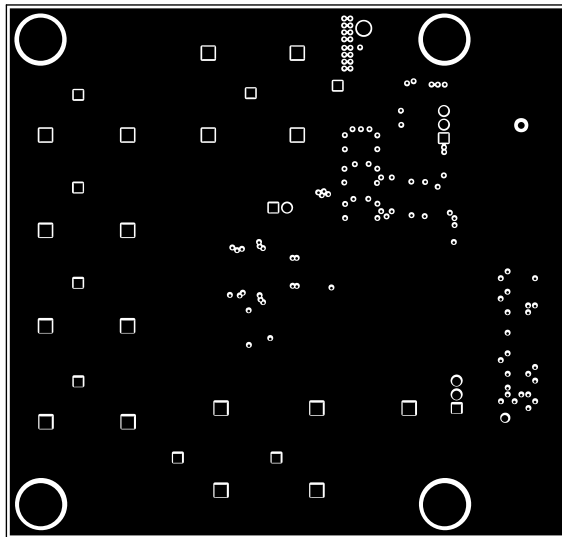


Figure 7-9. GND1 Layer

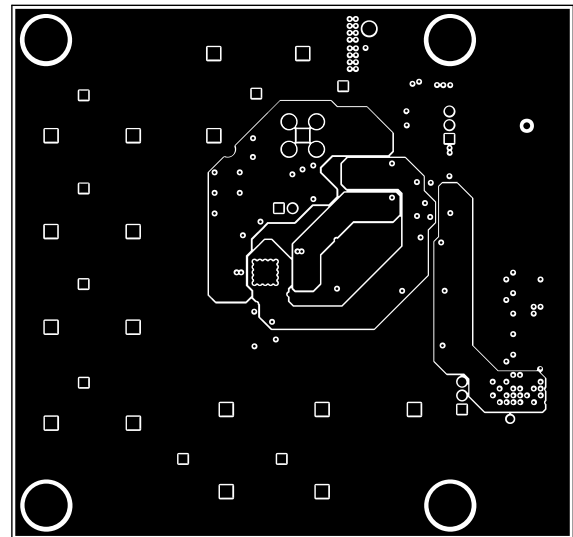
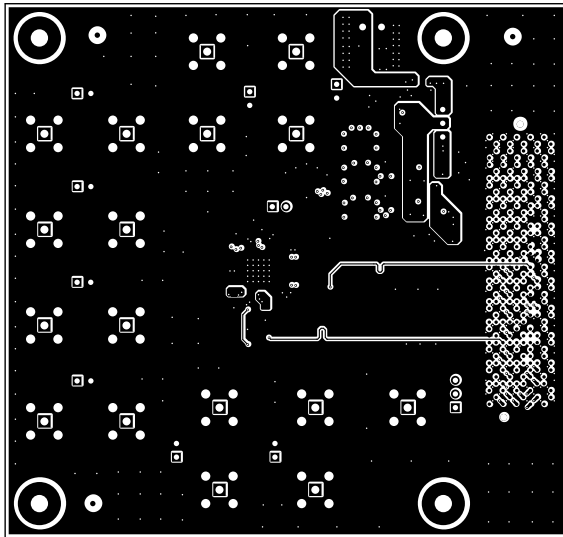
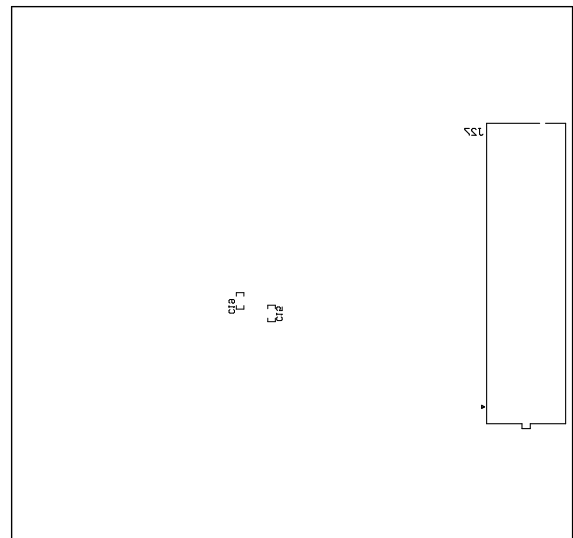


Figure 7-10. GND2 Layer





**Figure 7-11. Bottom Layer**



**Figure 7-12. Bottom Overlay**

## 7.3 Bill of Materials (BOM)

### 7.3.1 ADS9813EVM Bill of Materials (BOM)

The table below lists the ADS9813EVM bill of materials.

**Table 7-1. ADS9813EVM Bill of Materials**

Designator	Qty	Value	Description	Package Reference	Part Number	Manufacturer
AVDD, IOVDD, VDD	3		Test Point, Compact, SMT	Testpoint_Keystone_Compact	5016	Keystone Electronics
C1, C2, C3, C4, C7, C8, C28	7	1uF	CAP, CERM, 1 uF, 16 V, +/- 10%, X7R, 0603	0603	C1608X7R1C105K080AC	TDK
C5	1	10uF	CAP, CERM, 10 uF, 16 V, +/- 10%, X7R, 1206	1206	GRM31CR71C106KAC7L	MuRata
C6	1	22uF	CAP, CERM, 22 µF, 25 V, +/- 10%, X7R, AEC-Q200 Grade 1, 1210	1210	TMK325B7226KMHP	Taiyo Yuden
C15, C19	2	1uF	CAP, CERM, 1 µF, 10 V, +/- 10%, X7R, 0603	0603	0603ZC105KAT4A	AVX
C16, C20, C21, C22, C23, C24, C25	7	0.1uF	CAP, CERM, 0.1 µF, 10 V, +/- 10%, X7R, 0402	0402	C0402C104K8RACTU	Kemet
C26, C27	2	10uF	CAP, CERM, 10 uF, 10 V, +/- 20%, X7R, 0603	0603	GRM188Z71A106MA73D	MuRata
C29	1	10uF	CAP, CERM, 10 uF, 10 V, +/- 20%, X6S, 0603	0603	GRM188C81A106MA73D	MuRata
D1	1	6 V	Diode, TVS, Uni, 6 V, 10.3Vc, 400 W, 38.8 A, SMA	SMA	SMAJ6.0A	Littelfuse
D2	1	Green	LED, Green, SMD	LED_0805	APT2012LZGCK	Kingbright
H1, H2, H3, H4	4		Machine Screw, Round, #4-40 x 1/4, Nylon, Philips panhead	Screw	NY PMS 440 0025 PH	B&F Fastener Supply
H5, H6, H7, H8	4		Standoff, Hex, 0.5"L #4-40 Nylon	Standoff	1902C	Keystone
H9, H10, H11, H12	4		Bumpon, Hemisphere, 0.44 X 0.20, Clear	Transparent Bumpon	SJ-5303 (CLEAR)	3M
J1, J2, J3, J4, J5, J6, J7, J8, J9, J10, J11, J12, J13, J14, J15, J16, J28	17		SMA Connector Jack, Female Socket 50Ohm Through Hole Solder	CONN_SMA_PTH	6.0312E+13	Würth Electronics
J17	1		Terminal Block, 3.5mm Pitch, 2x1, TH	7.0x8.2x6.5mm	ED555/2DS	On-Shore Technology
J18, J29	2		Header, 100mil, 3x1, Gold, TH	Header, 100mil, 3x1, TH	HTSW-103-07-G-S	Samtec
J19, J20, J21, J22, J23, J24, J25, J26, J30	9		Header, 100mil, 2x1, Gold, TH	Header, 100mil, 2x1, TH	HTSW-102-07-G-S	Samtec
J27	1		Connector, 1.27mm, 40x10, Black, SMT	Connector, 1.27mm, 40x10, SMT	ASP-134488-01	Samtec
L1	1	10uH	Inductor, Wirewound, Ceramic, 10 uH, 0.48 A, 0.36 ohm, SMD	2.5x1.8x1.8mm	CBC2518T100M	Taiyo Yuden

**Table 7-1. ADS9813EVM Bill of Materials (continued)**

Designator	Qty	Value	Description	Package Reference	Part Number	Manufacturer
LBL1	1		Thermal Transfer Printable Labels, 0.650" W x 0.200" H - 10,000 per roll	PCB Label 0.650 x 0.200 inch	THT-14-423-10	Brady
R1	1	2.2k	RES, 2.2 k, 5%, 0.063 W, 0402	0402	CRCW04022K20JNED	Vishay-Dale
R2	1	1.96Meg	RES, 1.96 M, 1%, 0.063 W, 0402	0402	CRCW04021M96FKED	Vishay-Dale
R3	1	200k	RES, 200 k, 1%, 0.063 W, 0402	0402	CRCW0402200KFKED	Vishay-Dale
R4, R5, R8, R9, R16, R17, R20, R21, R23, R24, R27, R28, R29, R30, R33, R34, R35	17	0	RES, 0, 5%, 0.1 W, AEC-Q200 Grade 0, 0402	0402	ERJ-2GE0R00X	Panasonic
R10, R11, R12, R13, R14, R15	6	33	RES, 33, 5%, 0.063 W, 0402	0402	CRCW040233R0JNED	Vishay-Dale
SH-J1, SH-J2, SH-J3, SH-J4, SH-J5, SH-J6, SH-J7, SH-J8, SH-J9, SH-J10, SH-J11	11		Shunt, 2.54mm, Gold, Black	Shunt, 2.54mm, Black	60900213421	Würth Elektronik
U1	1		18-Bit, 2-MSPS, 8-Channel, Simultaneous-Sampling ADC with Integrated Analog Front-End	QFN56	ADS9813RSHT	Texas Instruments
U2	1		+/-6 V, Low IQ Ideal Diode with Input Polarity Protection, DCK0006A (SOT-SC70-6)	DCK0006A	LM66100DCKR	Texas Instruments
U3	1		300-mA, ultra-low-noise, low-IQ, low-dropout (LDO) linear regulator with high PSRR 5-SOT-23 -40 to 125	SOT23-5	TPS7A2050PDBVR	Texas Instruments
U4, U6	2		Linear Voltage Regulator IC Positive Fixed 1 Output 300 mA SOT-23-5	SOT23-5	TPS7A2018PDBVR	Texas Instruments
U5	1		Adjustable, 600-mA Switch, 90% Efficient PFM/PWM Boost Converter in ThinSOT-23, DDC0006A (SOT-23-T-6)	DDC0006A	TPS61070DDCR	Texas Instruments
U7	1		2 ppm/°C Maximum Drift, 0.23 ppmp-p 1/f Noise, Precision Voltage Reference	LCCC8	REF7040QFKHT	Texas Instruments

### 7.3.2 ADS9817EVM Bill of Materials (BOM)

The table below lists the ADS9817EVM bill of materials.

**Table 7-2. ADS9817EVM Bill of Materials**

Designator	Qty	Value	Description	Package Reference	Part Number	Manufacturer
AVDD, IOVDD, VDD	3		Test Point, Compact, SMT	Testpoint_Keystone_Compact	5016	Keystone Electronics
C1, C2, C3, C4, C7, C8, C28	7	1uF	CAP, CERM, 1 uF, 16 V, +/- 10%, X7R, 0603	0603	C1608X7R1C105K080AC	TDK
C5	1	10uF	CAP, CERM, 10 uF, 16 V, +/- 10%, X7R, 1206	1206	GRM31CR71C106KAC7L	MuRata
C6	1	22uF	CAP, CERM, 22 uF, 25 V, +/- 10%, X7R, AEC-Q200 Grade 1, 1210	1210	TMK325B7226KMHP	Taiyo Yuden
C15, C19	2	1uF	CAP, CERM, 1 uF, 10 V, +/- 10%, X7R, 0603	0603	0603ZC105KAT4A	AVX
C16, C20, C21, C22, C23, C24, C25	7	0.1uF	CAP, CERM, 0.1 uF, 10 V, +/- 10%, X7R, 0402	0402	C0402C104K8RACTU	Kemet
C26, C27	2	10uF	CAP, CERM, 10 uF, 10 V, +/- 20%, X7R, 0603	0603	GRM188Z71A106MA73D	MuRata
C29	1	10uF	CAP, CERM, 10 uF, 10 V, +/- 20%, X6S, 0603	0603	GRM188C81A106MA73D	MuRata
D1	1	6 V	Diode, TVS, Uni, 6 V, 10.3Vc, 400 W, 38.8 A, SMA	SMA	SMAJ6.0A	Littelfuse
D2	1	Green	LED, Green, SMD	LED_0805	APT2012LZGCK	Kingbright
H1, H2, H3, H4	4		Machine Screw, Round, #4-40 x 1/4, Nylon, Phillips panhead	Screw	NY PMS 440 0025 PH	B&F Fastener Supply
H5, H6, H7, H8	4		Standoff, Hex, 0.5"L #4-40 Nylon	Standoff	1902C	Keystone
H9, H10, H11, H12	4		Bumpon, Hemisphere, 0.44 X 0.20, Clear	Transparent Bumpon	SJ-5303 (CLEAR)	3M
J1, J2, J3, J4, J5, J6, J7, J8, J9, J10, J11, J12, J13, J14, J15, J16, J28	17		SMA Connector Jack, Female Socket 50Ohm Through Hole Solder	CONN_SMA_PTH	6.0312E+13	Würth Electronics
J17	1		Terminal Block, 3.5mm Pitch, 2x1, TH	7.0x8.2x6.5mm	ED555/2DS	On-Shore Technology
J18, J29	2		Header, 100mil, 3x1, Gold, TH	Header, 100mil, 3x1, TH	HTSW-103-07-G-S	Samtec
J19, J20, J21, J22, J23, J24, J25, J26, J30	9		Header, 100mil, 2x1, Gold, TH	Header, 100mil, 2x1, TH	HTSW-102-07-G-S	Samtec
J27	1		Connector, 1.27mm, 40x10, Black, SMT	Connector, 1.27mm, 40x10, SMT	ASP-134488-01	Samtec
L1	1	10uH	Inductor, Wirewound, Ceramic, 10 uH, 0.48 A, 0.36 ohm, SMD	2.5x1.8x1.8mm	CBC2518T100M	Taiyo Yuden
LBL1	1		Thermal Transfer Printable Labels, 0.650" W x 0.200" H - 10,000 per roll	PCB Label 0.650 x 0.200 inch	THT-14-423-10	Brady

**Table 7-2. ADS9817EVM Bill of Materials (continued)**

Designator	Qty	Value	Description	Package Reference	Part Number	Manufacturer
R1	1	2.2k	RES, 2.2 k, 5%, 0.063 W, 0402	0402	CRCW04022K20JNED	Vishay-Dale
R2	1	1.96Meg	RES, 1.96 M, 1%, 0.063 W, 0402	0402	CRCW04021M96FKED	Vishay-Dale
R3	1	200k	RES, 200 k, 1%, 0.063 W, 0402	0402	CRCW0402200KFKED	Vishay-Dale
R4, R5, R8, R9, R16, R17, R20, R21, R23, R24, R27, R28, R29, R30, R33, R34, R35	17	0	RES, 0, 5%, 0.1 W, AEC-Q200 Grade 0, 0402	0402	ERJ-2GE0R00X	Panasonic
R10, R11, R12, R13, R14, R15	6	33	RES, 33, 5%, 0.063 W, 0402	0402	CRCW040233R0JNED	Vishay-Dale
SH-J1, SH-J2, SH-J3, SH-J4, SH-J5, SH-J6, SH-J7, SH-J8, SH-J9, SH-J10, SH-J11	11		Shunt, 2.54mm, Gold, Black	Shunt, 2.54mm, Black	60900213421	Würth Elektronik
U1	1		18-Bit, 8-MSPS, Dual, Simultaneous- Sampling ADC with Integrated Analog Front- End	QFN56	ADS9817RSHT	Texas Instruments
U2	1		+/-6 V, Low IQ Ideal Diode with Input Polarity Protection, DCK0006A (SOT- SC70-6)	DCK0006A	LM66100DCKR	Texas Instruments
U3	1		300-mA, ultra-low-noise, low-IQ, low- dropout (LDO) linear regulator with high PSRR 5-SOT-23 -40 to 125	SOT23-5	TPS7A2050PDBVR	Texas Instruments
U4, U6	2		Linear Voltage Regulator IC Positive Fixed 1 Output 300 mA SOT-23-5	SOT23-5	TPS7A2018PDBVR	Texas Instruments
U5	1		Adjustable, 600-mA Switch, 90% Efficient PFM/PWM Boost Converter in ThinSOT-23, DDC0006A (SOT-23-T-6)	DDC0006A	TPS61070DDCR	Texas Instruments
U7	1		2 ppm/°C Maximum Drift, 0.23 ppmp-p 1/f Noise, Precision Voltage Reference	LCCC8	REF7040QFKHT	Texas Instruments

## 8 Revision History

NOTE: Page numbers for previous revisions may differ from page numbers in the current version.

<b>Changes from Revision A (July 2023) to Revision B (January 2024)</b>	<b>Page</b>
• Added a second variant EVM (ADS9813EVM).....	1
• Updated software download instructions.....	11
• Added ADS9813EVM schematic.....	18
• Added ADS9813EVM bill of materials.....	26

<b>Changes from Revision * (November 2022) to Revision A (July 2023)</b>	<b>Page</b>
• Deleted all mention of PDK.....	1
• Changed input voltage range in <i>Overview</i> section.....	3
• Added <i>Quick Start Guide</i> section.....	5
• Added <i>Voltage Reference</i> section.....	6
• Added information about clock source in <i>Digital Interface</i> section.....	7
• Added <i>Clock Select</i> section.....	9
• Added <i>USB Power and When to Power the Board Externally</i> section.....	10
• Added <i>Using the Histogram Tab</i> section.....	17
• Changed schematic images.....	21
• Changed Layout images.....	24
• Changed the <i>Bill of Materials</i> table.....	26

## IMPORTANT NOTICE AND DISCLAIMER

TI PROVIDES TECHNICAL AND RELIABILITY DATA (INCLUDING DATA SHEETS), DESIGN RESOURCES (INCLUDING REFERENCE DESIGNS), APPLICATION OR OTHER DESIGN ADVICE, WEB TOOLS, SAFETY INFORMATION, AND OTHER RESOURCES "AS IS" AND WITH ALL FAULTS, AND DISCLAIMS ALL WARRANTIES, EXPRESS AND IMPLIED, INCLUDING WITHOUT LIMITATION ANY IMPLIED WARRANTIES OF MERCHANTABILITY, FITNESS FOR A PARTICULAR PURPOSE OR NON-INFRINGEMENT OF THIRD PARTY INTELLECTUAL PROPERTY RIGHTS.

These resources are intended for skilled developers designing with TI products. You are solely responsible for (1) selecting the appropriate TI products for your application, (2) designing, validating and testing your application, and (3) ensuring your application meets applicable standards, and any other safety, security, regulatory or other requirements.

These resources are subject to change without notice. TI grants you permission to use these resources only for development of an application that uses the TI products described in the resource. Other reproduction and display of these resources is prohibited. No license is granted to any other TI intellectual property right or to any third party intellectual property right. TI disclaims responsibility for, and you will fully indemnify TI and its representatives against, any claims, damages, costs, losses, and liabilities arising out of your use of these resources.

TI's products are provided subject to [TI's Terms of Sale](#) or other applicable terms available either on [ti.com](https://www.ti.com) or provided in conjunction with such TI products. TI's provision of these resources does not expand or otherwise alter TI's applicable warranties or warranty disclaimers for TI products.

TI objects to and rejects any additional or different terms you may have proposed.

Mailing Address: Texas Instruments, Post Office Box 655303, Dallas, Texas 75265  
Copyright © 2024, Texas Instruments Incorporated