



ABSTRACT

This document walks through how to use the TCA9536EVM and the features the evaluation module includes.

Table of Contents

1 Introduction.....	2
2 Features.....	2
3 Adjustable pull-up resistors.....	3
4 Device locations.....	4
5 Schematic.....	5
6 Revision History.....	6

Trademarks

All trademarks are the property of their respective owners.

1 Introduction

The TCA9536 evaluation module provides the user with options to test both the TCA9536 and TCA9537. The evaluation module allows for adjustable pull-up resistors on SDA/SCL as well as LED indicators on power up and the GPOs.

2 Features

The TCA9536 evaluation module includes:

- TCA9536DTM package populated on the board
- Adjustable pull-up resistors on I2C bus
- TCA9536 footprint for D package supported but NOT populated
- TCA9537DGS populated on the board
- Optional LED connections (J5 and J13) to the GPIO ports of both TCA9536 and TCA9537
- #INT LED indicator on TCA9537 INT pin (Shunt J15)
- #RESET toggle on TCA9537 using J14 shunt
- Connection to external processor through SDA/SCL on J5 (male) and J17 (female)

3 Adjustable pull-up resistors

TCA9536EVM comes with adjustable pull-up resistors which allows for the user to select from a 4.7 kΩ down to a ~515 Ω resistor. The pull-up resistor selectors (J4 and J8) are shown in Figure 3-1.

Table 3-1. Effective pull-up resistor values table

Pull-up resistor (Ω)	Equivalent pull-up resistance (Ω)
4.7 k 2 k	1.4 k
4.7 k 820	~699
2k 820	~580
4.7 k 2k 820	~515

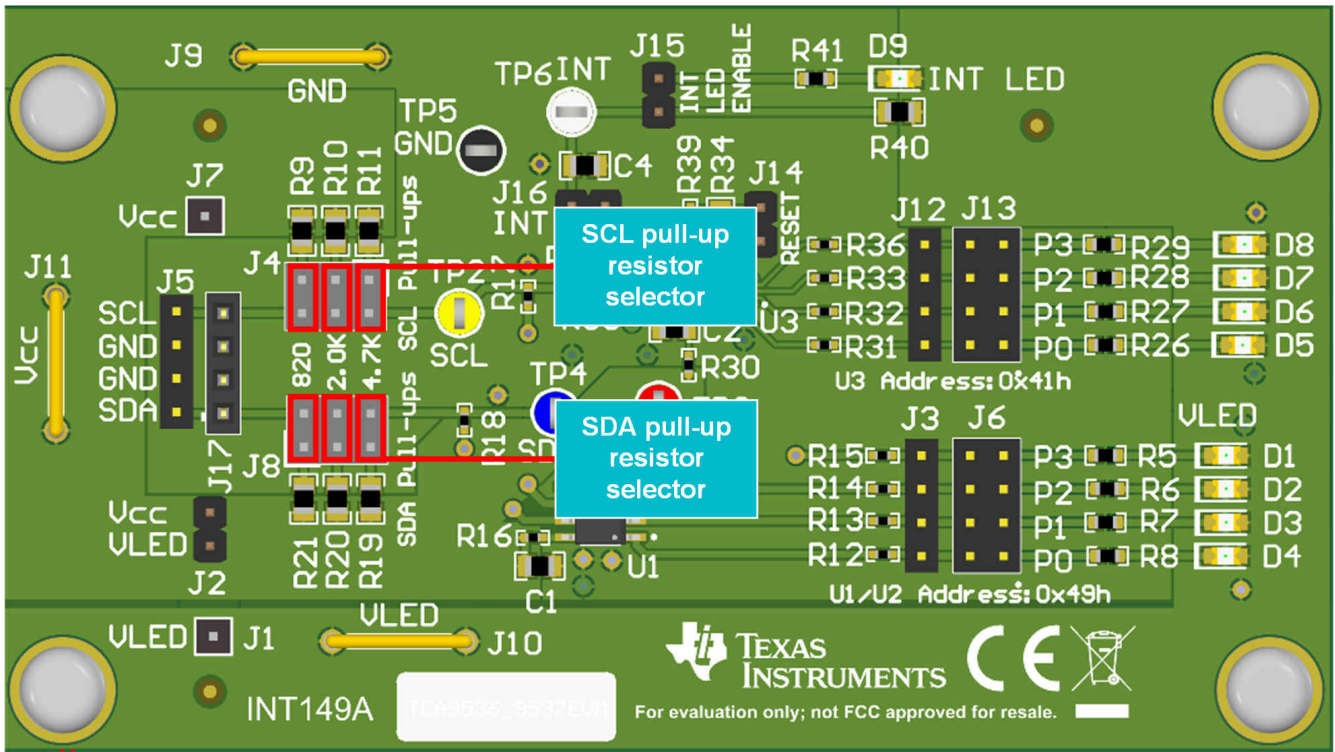


Figure 3-1. Adjustable pull-up resistors

4 Device locations

Figure 4-1 shows the location of the TCA9536DTM and TCA9537DGS.

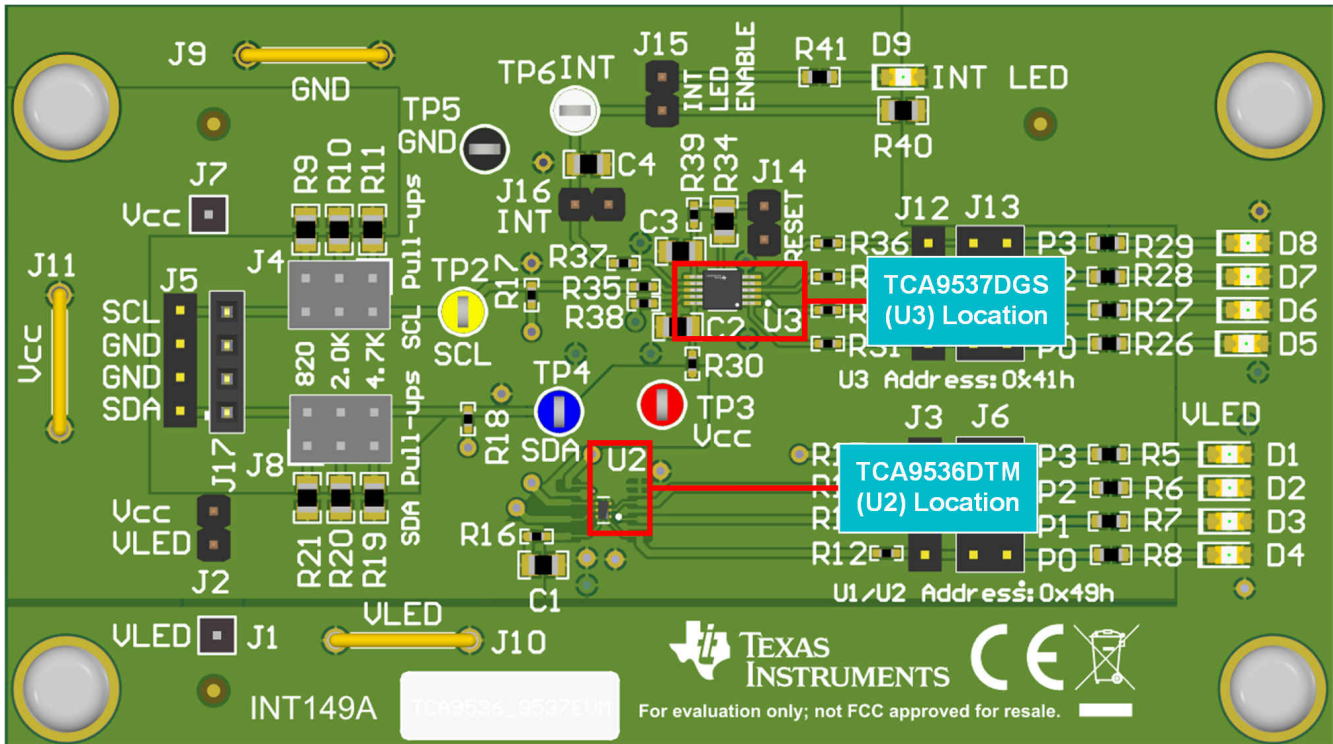


Figure 4-1. Location of TCA9537DGS (U3) and TCA9536DTM (U2)

The TCA9536EVM provides the option to use the TCA9536 in the VSSOP package. The location of this device is shown in the figure below (not populated out of the box).

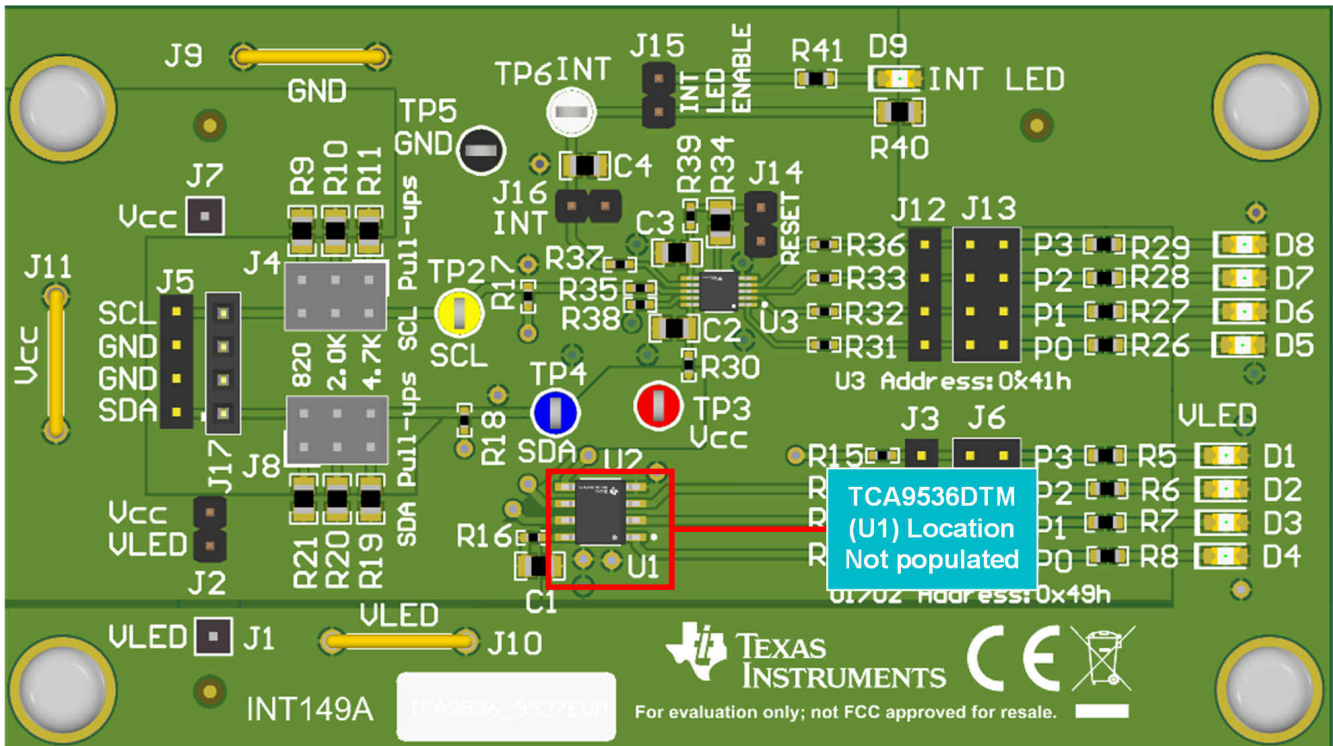


Figure 4-2. Location of TCA9536D package (U1)

5 Schematic

Figure 5-1 illustrates the EVM schematic.

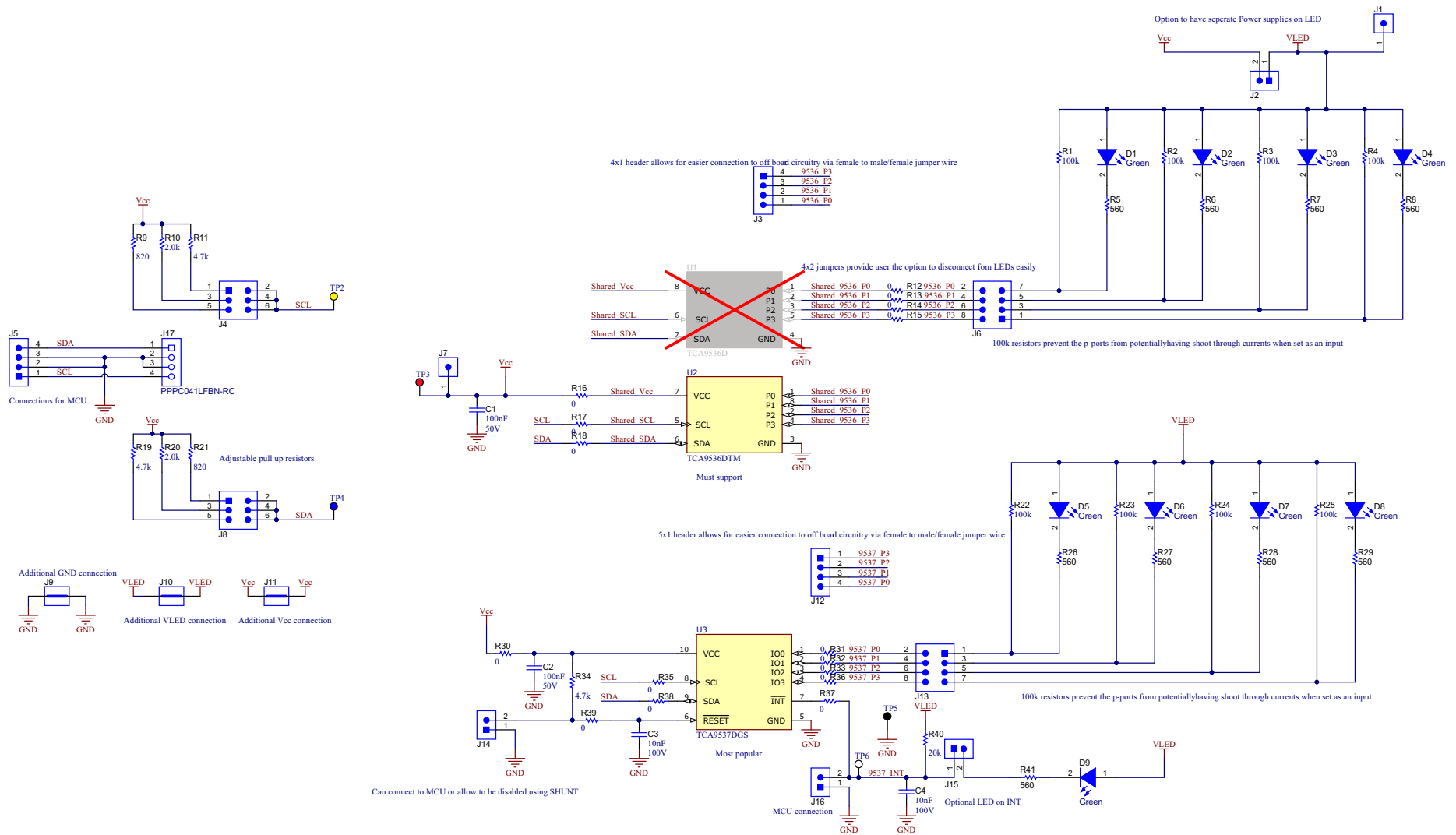


Figure 5-1. TCA9536EVM Schematic

6 Revision History

NOTE: Page numbers for previous revisions may differ from page numbers in the current version.

DATE	REVISION	NOTES
September 2021	*	Initial Release

IMPORTANT NOTICE AND DISCLAIMER

TI PROVIDES TECHNICAL AND RELIABILITY DATA (INCLUDING DATA SHEETS), DESIGN RESOURCES (INCLUDING REFERENCE DESIGNS), APPLICATION OR OTHER DESIGN ADVICE, WEB TOOLS, SAFETY INFORMATION, AND OTHER RESOURCES "AS IS" AND WITH ALL FAULTS, AND DISCLAIMS ALL WARRANTIES, EXPRESS AND IMPLIED, INCLUDING WITHOUT LIMITATION ANY IMPLIED WARRANTIES OF MERCHANTABILITY, FITNESS FOR A PARTICULAR PURPOSE OR NON-INFRINGEMENT OF THIRD PARTY INTELLECTUAL PROPERTY RIGHTS.

These resources are intended for skilled developers designing with TI products. You are solely responsible for (1) selecting the appropriate TI products for your application, (2) designing, validating and testing your application, and (3) ensuring your application meets applicable standards, and any other safety, security, regulatory or other requirements.

These resources are subject to change without notice. TI grants you permission to use these resources only for development of an application that uses the TI products described in the resource. Other reproduction and display of these resources is prohibited. No license is granted to any other TI intellectual property right or to any third party intellectual property right. TI disclaims responsibility for, and you will fully indemnify TI and its representatives against, any claims, damages, costs, losses, and liabilities arising out of your use of these resources.

TI's products are provided subject to [TI's Terms of Sale](#) or other applicable terms available either on ti.com or provided in conjunction with such TI products. TI's provision of these resources does not expand or otherwise alter TI's applicable warranties or warranty disclaimers for TI products.

TI objects to and rejects any additional or different terms you may have proposed.

Mailing Address: Texas Instruments, Post Office Box 655303, Dallas, Texas 75265
Copyright © 2022, Texas Instruments Incorporated