

The Current-Doubler Rectifier: An Alternative Rectification Technique For Push-Pull And Bridge Converters

by Laszlo Balogh

This design note describes an alternative rectification method which offers simpler structure and better utilization of the isolation transformers in push-pull, half-bridge and bridge power stages where usually full-wave rectification is required on the secondary side of the transformers. Converters using the current-doubler rectifier can achieve lower and better distributed power dissipation and smaller size in the magnetic components.

The common property of the push-pull, half-bridge and bridge topologies which makes the full-wave rectification necessary is that they utilize bipolar voltage across the secondary side of the transformer.

Figure 1 illustrates the commonly used circuit arrangement for full-wave rectification. For proper operation the secondary winding has to be center-tapped with one terminal connected to the reference potential (ground) of the circuit. The center-tapping splits the secondary winding into two inductors which are coupled strongly but not perfectly within one magnetic structure.

This design note assumes a full-bridge power converter using the phase-shifted control method. Consequently, the primary of the isolation transformer is short circuited in the free-wheeling mode which has a profound effect on the current distribution in the secondary windings during that period. In all other aspects, the operation of the push-pull, half-bridge and the conventional full-bridge converters are identical to the description below.

Based on the polarities and signal names of Figure 1, operation is as follows:

During the first active period when energy is transferred from the primary to the secondary side, the voltage across TR1 is positive. D1 is forward biased while the negative voltage appearing across TR2 keeps D2 reverse biased. The current of the output inductor, L_o , is forced to flow through TR1 while TR2 carries no current. During the free-wheeling period, the voltages across TR1 and TR2 become zero. In theory the output current is evenly distributed between the secondary windings TR1 and TR2. In practice, because of leakage inductance

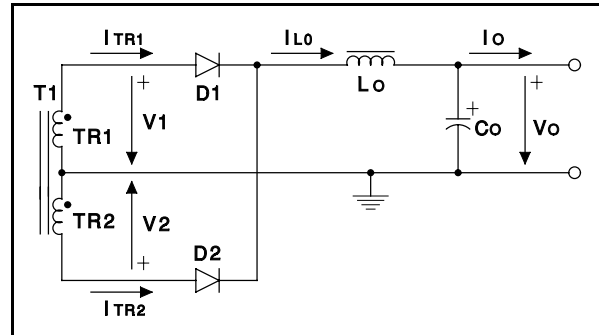


Figure 1. Full-Wave Rectifier

associated with real magnetic structures, the output current is not shared evenly. TR1 still conducts most of the output inductor current while the current slowly builds up in TR2 depending on the value of the leakage inductance and the available voltage across it. In the next active interval, V_2 is positive, in which case TR2 and D2 carries all the current of L_o while D1 is reverse biased by TR1 having no current through them. In the next period V_1 and V_2 are zero again and similarly to the previous free-wheeling period the output inductor current will keep flowing in TR2.

Figure 2 shows the most important waveforms of operation.

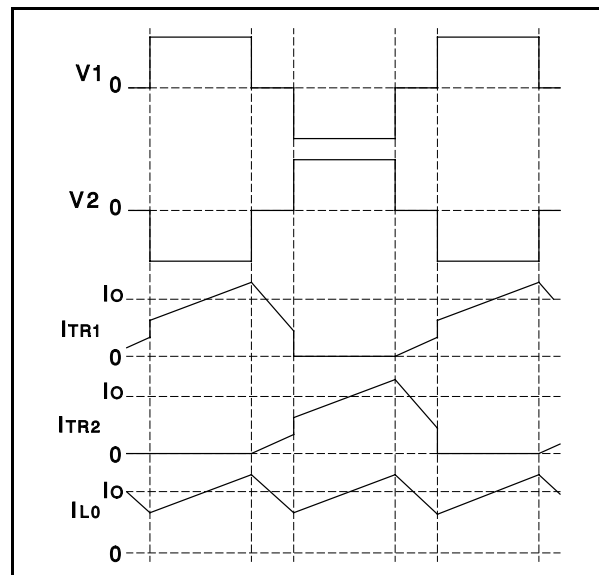


Figure 2. Waveforms of the Full-Wave Rectifier

The proposed current-doubler rectifier is presented in Figure 3. It is composed of the secondary winding of the isolation transformer which is not center-tapped now, the same two rectifier diodes, two individual but identical filter inductors and an equal output capacitor to the one of the full-wave rectifier circuit.

Using the symbols and signal polarities introduced in Figure 3 the operation of the rectifier is described below:

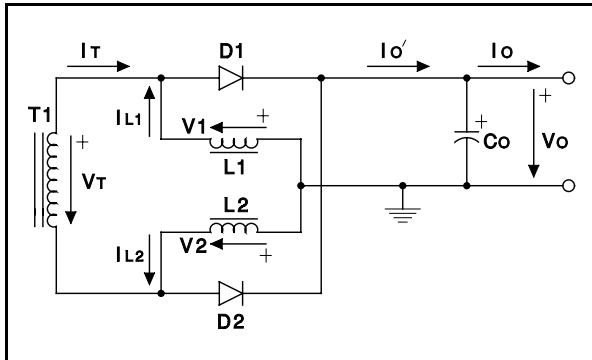


Figure 3. Current-Doubler Rectifier

Starting at the first active period the voltage across the secondary winding of the transformer, V_T is positive. Current flows in positive direction in both filter inductors, L_1 and L_2 . During this period D_1 is forward biased while D_2 is kept off by V_T . It means that the current path for L_1 runs through D_1 and the output capacitor, basically kept away from the secondary winding of the transformer. The current of the second filter inductor L_2 flows through the transformer winding and D_1 , closing the loop through the output capacitor. Hence the output current is the sum of the DC components of the two filter inductor currents, the transformer sees only half of the load current during the active time interval. During this time, the voltage across L_1 is negative and equals the output voltage causing the current in L_1 to decrease. On the other hand, V_2 across L_2 is positive, causing the current in L_2 to increase. The active period is followed by a free-wheeling interval. V_T is not forced across the secondary winding of the transformer any longer. The voltage across L_2 becomes negative, and equal to the output voltage amplitude, producing a negative slope in the current through L_2 . As in the full-wave case, theory would suggest that the current of L_2 goes through D_2 instead of the transformer winding, but in practice this current will continue, due to flow in the transformers secondary. The conditions for L_1 do not change. At the beginning of the consecutive active interval, a

negative voltage appears on the output of the transformer. D_1 turns off while D_2 is forward biased. The current rapidly changes direction in the transformer winding, and is equal to the current of L_1 . The current of L_2 is not flowing through the transformer any longer and keeps decreasing by the rate determined by the inductance value and the output voltage. Having a positive voltage across L_1 , the current starts building up in the inductor. The full operating cycle is completed by another free-wheeling period when V_T becomes zero, $-V_o$ appears on L_1 causing its current to decrease and there is no change in the condition of L_2 .

The essential waveforms of the current-doubler rectifier are indicated in Figure 4.

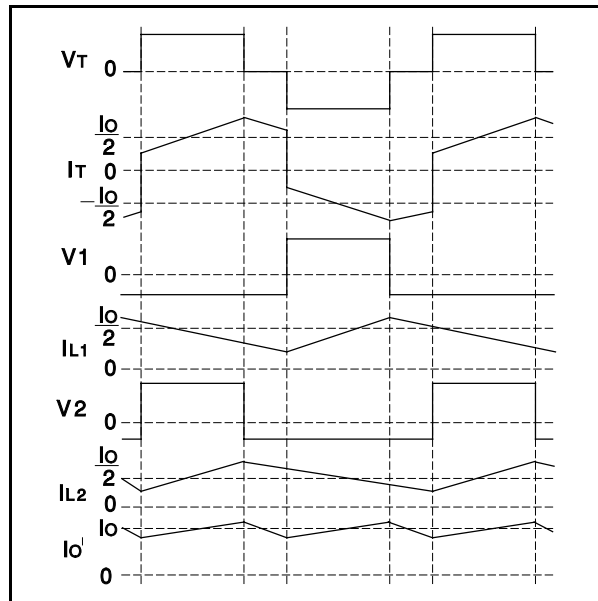


Figure 4. Waveforms of the Current Doubler Rectifier

Summarizing the most important properties of the current-doubler rectifier as revealed by the circuit diagram, the description of operation and the different waveforms, the following conclusions can be drawn:

- there is no need for center-tapping
- finer steps in turns ratio are possible
- transformer structure is simpler
- transformer carries approximately half of the output current (only the secondary winding)
- operation on the primary side, including duty-cycle is unchanged

- diode and output capacitor stresses are identical to the full-wave technique
- additional filter inductor required
- each filter inductor carries only half of the DC output current
- ripple currents cancel on common output capacitor
- requires current-mode control to ensure equal currents in the filter inductors

In order to correctly judge the merit of this rectification technique for practical applications, a quantitative comparison is presented. Assume, that two converters operate with a clock frequency of f_s , have the same input and output voltages, equal load currents and equal ripple currents in the output capacitors. For these cases, the most important design parameters are given in an easy to use form in Table 1. For simplicity, the current values are not reflecting the effect of the AC components of the inductor currents.

Table 1. Comparison of Full-Wave and Current-Doubler Rectifiers						
Technique >	Full-Wave			Current-Doubler		
Magnetics>	TR1	TR2	Lo	Tr	L1	L2
Transformer Operating Frequency	$\frac{f_s}{2}$			$\frac{f_s}{2}$		
Transformer Primary Number of Turns	N			N		
Transformer Secondary Number of Turns	1	1	-	2	-	-
Transformer Secondary Current (DC average; multiplier is the duty-cycle of the secondaries)	$I_o \cdot 0.5$	$I_o \cdot 0.5$	-	$\frac{I_o}{2} \cdot 1$	-	-
Secondary current reflected to the primary (DC average)	$I_o \cdot \frac{1}{N} \cdot D$			$\frac{I_o}{2} \cdot \frac{2}{N} \cdot D$		
D1; D2 Breakdown Voltage (minimum)	$V_{IN} \cdot \frac{1+1}{N}$			$V_{IN} \cdot \frac{2}{N}$		
Output Inductor Operating Frequency	-	-	f_s	-	$\frac{f_s}{2}$	$\frac{f_s}{2}$
Output Inductor Current (DC Average)	-	-	I_o	-	$\frac{I_o}{2}$	$\frac{I_o}{2}$
Output Inductance (minimum) <i>* function of duty-cycle</i>	-	-	L_o	-	$\leq L_o^*$	$\leq L_o^*$

Summary: the presented current-doubler rectifier provides an alternative rectification technique for converters employing push-pull, half-bridge or bridge topologies. The method simplifies the power transformer and adds one more filter inductor to the circuit. Depending on the particular application, the total volume of the two filter inductors might be equal or smaller than the choke of the full-wave rectifier due to their lower operating frequency and lower current rating.

Further trade-offs can be made in order to reduce inductor sizes by lowering the inductance value and relying more strongly on the ripple current cancellation of the two inductors. Additionally, the current-doubler rectifier offers the potential benefit of better distributed power dissipation which might become a vital benefit in densely packed power supplies. Because of its added circuit complexity, this solution could probably be justified in medium to higher power and/or high output current applications.

IMPORTANT NOTICE

Texas Instruments and its subsidiaries (TI) reserve the right to make changes to their products or to discontinue any product or service without notice, and advise customers to obtain the latest version of relevant information to verify, before placing orders, that information being relied on is current and complete. All products are sold subject to the terms and conditions of sale supplied at the time of order acknowledgement, including those pertaining to warranty, patent infringement, and limitation of liability.

TI warrants performance of its semiconductor products to the specifications applicable at the time of sale in accordance with TI's standard warranty. Testing and other quality control techniques are utilized to the extent TI deems necessary to support this warranty. Specific testing of all parameters of each device is not necessarily performed, except those mandated by government requirements.

CERTAIN APPLICATIONS USING SEMICONDUCTOR PRODUCTS MAY INVOLVE POTENTIAL RISKS OF DEATH, PERSONAL INJURY, OR SEVERE PROPERTY OR ENVIRONMENTAL DAMAGE ("CRITICAL APPLICATIONS"). TI SEMICONDUCTOR PRODUCTS ARE NOT DESIGNED, AUTHORIZED, OR WARRANTED TO BE SUITABLE FOR USE IN LIFE-SUPPORT DEVICES OR SYSTEMS OR OTHER CRITICAL APPLICATIONS. INCLUSION OF TI PRODUCTS IN SUCH APPLICATIONS IS UNDERSTOOD TO BE FULLY AT THE CUSTOMER'S RISK.

In order to minimize risks associated with the customer's applications, adequate design and operating safeguards must be provided by the customer to minimize inherent or procedural hazards.

TI assumes no liability for applications assistance or customer product design. TI does not warrant or represent that any license, either express or implied, is granted under any patent right, copyright, mask work right, or other intellectual property right of TI covering or relating to any combination, machine, or process in which such semiconductor products or services might be or are used. TI's publication of information regarding any third party's products or services does not constitute TI's approval, warranty or endorsement thereof.