



## ABSTRACT

This user's guide describes the characteristics, operation, and use of the BQ25172EVM evaluation module (EVM). This EVM is designed to help the user evaluate and test the various operating modes of the BQ25172. This user's guide includes setup instructions for the hardware and software, a schematic diagram, a bill of materials (BOM), and PCB layout drawings for the evaluation module.

Throughout this user's guide, the abbreviations *EVM*, *BQ25172EVM*, *BMS033*, and the term *evaluation module* are synonymous with the BMS033 evaluation module, unless otherwise noted.

---

## Table of Contents

<b>1 Introduction</b> .....	2
1.1 Printed Circuit Board Assembly.....	2
1.2 I/O Descriptions.....	2
<b>2 Test Summary</b> .....	3
2.1 Equipment.....	3
2.2 Cautions.....	3
2.3 Test Instructions.....	3
<b>3 Board Layout, Schematic, and Bill of Materials</b> .....	4
3.1 Board Layout.....	4
3.2 Schematic.....	7
3.3 Bill of Materials.....	8
<b>4 Revision History</b> .....	12

## Trademarks

All trademarks are the property of their respective owners.



### WARNING

**Hot surface! Contact may cause burns. Do not touch!**

Some components may reach high temperatures >55°C when the board is powered on. The user must not touch the board at any point during operation or immediately after operating, as high temperatures may be present.

## 1 Introduction

The Texas Instruments BQ25172EVM is a NiMH chemistry battery charger IC for single and multi cell applications. Charging voltage can be adjusted using external resistors on VSET. Charging current can be set from 60mA to 600mA with an external resistor on ISET.

### 1.1 Printed Circuit Board Assembly

The BQ25172EVM PCB contains the BQ25172 IC, LDO TPS7B8133 and support circuits. This board contains several jumpers and connectors. S1 (VSET) allows selected output voltages to be programmed. S2 (TMR) allows the charge timer to be configured. The R9 resistor allows a wide range of adjustment of VSET. R22 can be used to change ISET value (fast charge current). R19 can be used to adjust TS, the battery temp sensor to simulate hot and cold fault.

### 1.2 I/O Descriptions

Table 1-1 lists the input and output connections available on this EVM and their respective descriptions.

**Table 1-1. EVM I/O Connections**

I/O Connector	Description
J1 – VIN / GND	Input voltage from external power supply, recommended 5V. Max operating input voltage is 6.6V, OVP trip point. Max input voltage is 30V while in OVP.
J2 – OUT (BAT+) / GND (BAT-) / GND / TS	Battery connection, TS should be 10k NTC but not needed.
JP1 – VSET ADJ	Disable R9, default is installed.
JP2 – REG / IN / OUT	Source voltage for housekeeping regulator, U2. Default Input voltage IN.
JP3 – TMR	Connection to TMR pin
JP4 – ISET	Sets Fast Charge Current. Fixed=400mA ADJ= R22 range 60mA to 600mA
JP5 - STAT LED	Default setting is ON.
JP6 – TS	NTC temp sensor. Fixed=10k (safe) ADJ=R19 range from 0 to 50k ohms. Default Fixed.
JP7 - TMR ADJ	Bypasses R18 for TMR connection to S2
JP8	Not used, do not install
JP9	Not used, do not install

Table 1-2 lists the S1 switch positions for VSET and their respective descriptions. Use only one position ON, do not combine.

**Table 1-2. VSET S1 Switch Positions**

Position / RX / Value	NiMH Configuration
#1 / R1 / 27k ohm	2-Cell + Intermittent
#2 / R2 / 24k ohm	3-Cell
#3 / R3 / 18k ohm	3-Cell + Intermittent
#4 / R4 / 11k ohm	4-Cell + Intermittent
#5 / R5 / 6.2k ohm	5-Cell + Intermittent
#6 / R6 / 4.7k ohm	6-Cell
#7 / R7 / 3.6k ohm	6-Cell + Intermittent
#8 / R8 / 0 ohm	Short Circuit – No Charge

**Table 1-3. TMR S2 Switch Positions**

Position / RX / Value	Charge Timer (HR)
#11 / R11 / 36k ohm	4hr
#12 / R12 / 18.2k ohm	10hr
#13 / R13 / 6.2k ohm	18hr
#14 / R14 / 0 ohm	0hr (Short-Circuit)

## 2 Test Summary

This section describes the jumpers and connectors on the EVM as well as how to properly connect, setup, and use the BQ25172EVM.

### 2.1 Equipment

This section includes a list of supplies required to perform tests on this EVM.

1. Battery simulator such as Keithley 2400 or equivalent. A real NiMH battery may also be used.
2. Power supply, 5V 1A input. Note that unit can operate up to 6.6V input.
3. Voltage meter and current meter.

### 2.2 Cautions

To prevent possible damage to battery under test verify that charging conditions of the cell are not exceeded. Check max charge voltage and current.

Power dissipation of the device can be exceeded with too high an input to output voltage drop and current. Thermal regulation begins reducing current at 125 °C, at 150 °C device will shut off.

Device can get hot during high input-to-output voltage drop and high current conditions. Use caution when handling the board.

### 2.3 Test Instructions

In order for this EVM to operate properly, the following components must be connected and properly configured.

1. Set input power supply to 5V and Battery Simulator to 2.2V with compliance to support 800mA. Turn off Supply and Battery Simulator.
2. Connect input voltages to J1 and Battery Simulator to J2 on the EVM.
3. Configure all EVM jumpers to factory setting, refer to table below.
4. Turn on all supplies and loads
  - a. 5V Input supply current limit should be greater than 500mA
  - b. Out voltage should be 2.2V and charge current 400mA
5. Simulate battery completing charge by increasing Battery Simulator voltage to 2.4V
  - a. Current will decrease to 0mA

**Table 2-1. Jumper Factory Setting**

I/O Connector	Factory Setting
JP1	Installed
JP2	IN
JP3	Installed
JP4	Fixed
JP5	Installed
JP6	Fixed
JP7	N/A
JP8	N/A
JP9	N/A
S1	Position 1
S2	N/A

Note: IN, ON, Fixed are positions of a 3 pin header. If it is a 2 pin header then it is installed or not installed.

### 3 Board Layout, Schematic, and Bill of Materials

#### 3.1 Board Layout

The board layout is shown in [Figure 3-1](#) to [Figure 3-6](#).

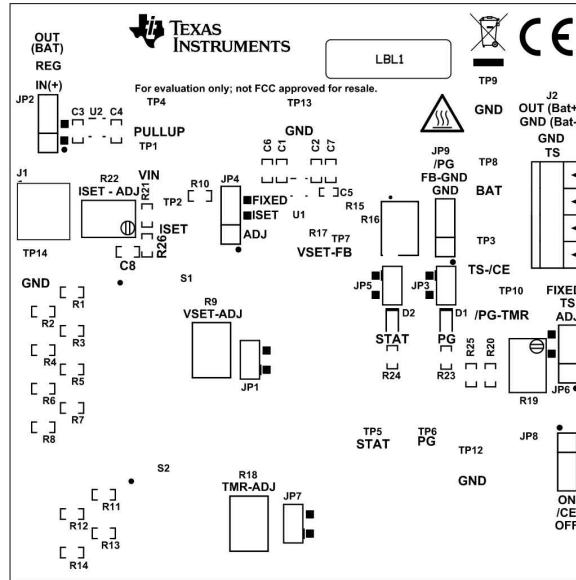


Figure 3-1. Top Overlay

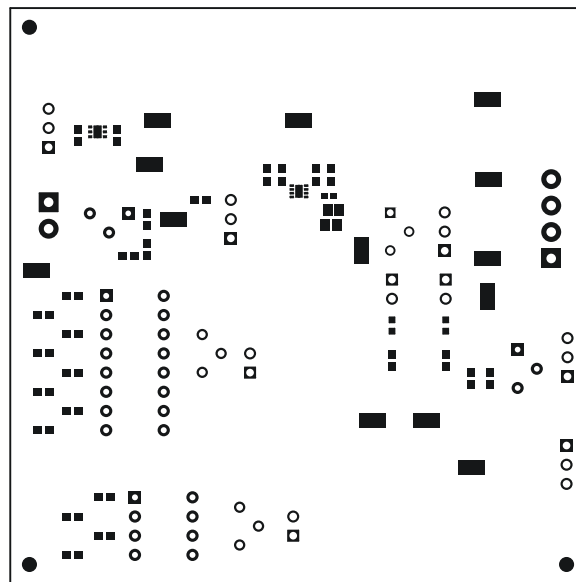
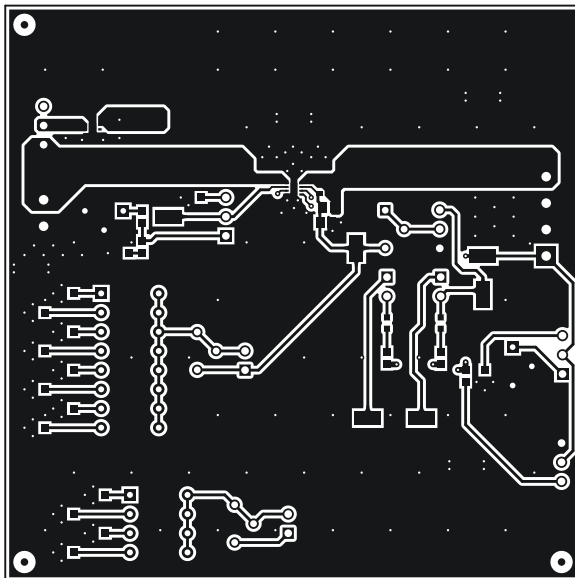
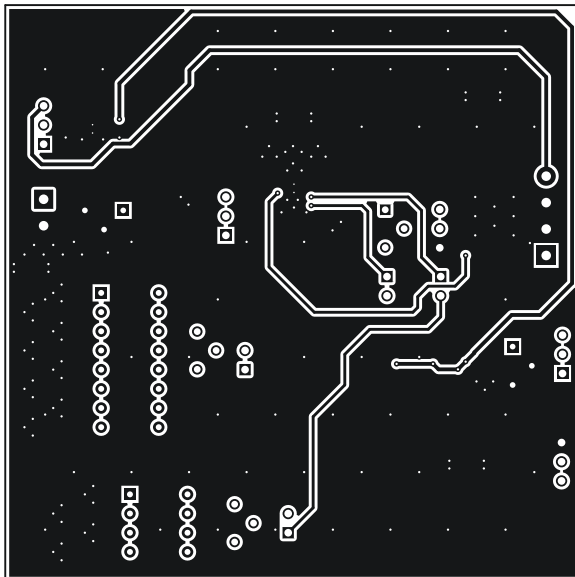


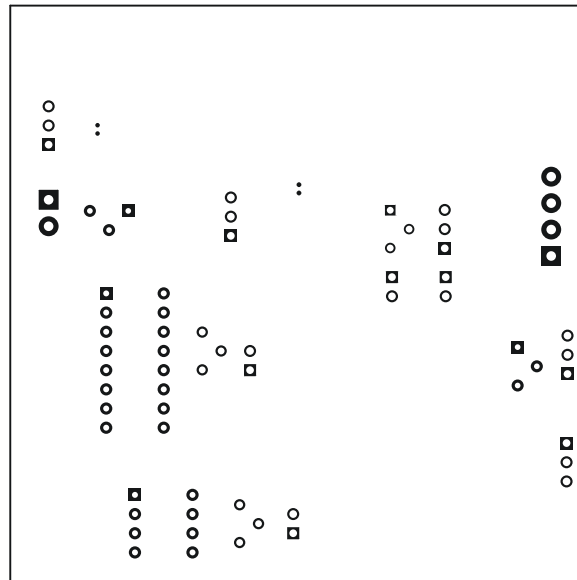
Figure 3-2. Top Solder



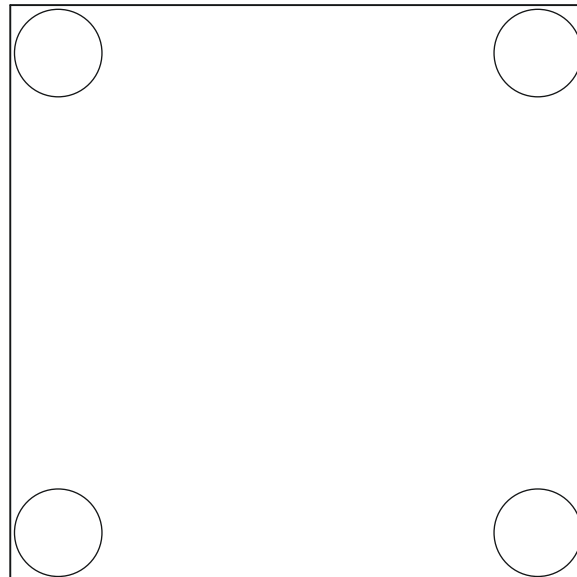
**Figure 3-3. Top Layer**



**Figure 3-4. Bottom Layer**



**Figure 3-5. Bottom Solder**



**Figure 3-6. Bottom Overlay**

### 3.2 Schematic

The BQ25172EVM schematic is shown in Figure 3-7.

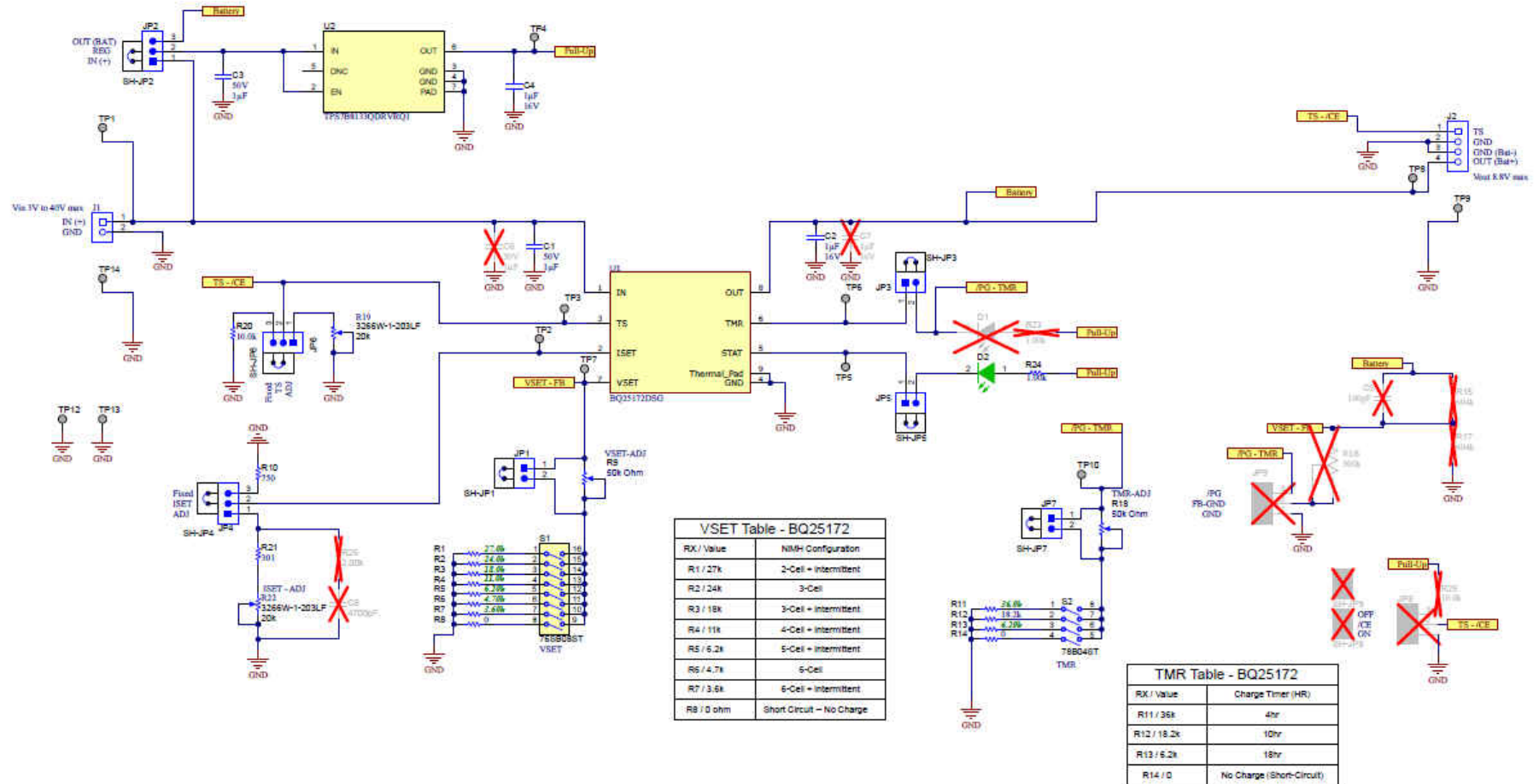


Figure 3-7. BQ25172EVM Schematic

### 3.3 Bill of Materials

The bill of materials is shown in the following table.

**Table 3-1. Bill of Materials**

Designator	Quantity	Manufacturer	Value	Description	Package Reference	Part Number	Manufacturer	Alternate Part Number <sup>1</sup>	Alternate Manufacturer <sup>1</sup>
!PCB?	1	Any		Printed Circuit Board		BMS033	Any		
C1, C3	2	MuRata	1uF	CAP, CERM, 1 $\mu$ F, 50 V, +/- 20%, X5R, AEC-Q200 Grade 3, 0603	0603	GRT188R61H105ME13D	MuRata		
C2, C4	2	MuRata	1uF	CAP, CERM, 1 $\mu$ F, 16 V, +/- 10%, X7R, AEC-Q200 Grade 1, 0603	0603	GCM188R71C105KA64D	MuRata		
D2	1	Lite-On	Green	LED, Green, SMD	Body1.6x0.8mm	LTST-C193TGKT-5A	Lite-On		
H1, H2, H3, H4	4	3M		Bumpon, Hemisphere, 0.44 X 0.20, Clear	Transparent Bumpon	SJ-5303 (CLEAR)	3M		
J1	1	On-Shore Technology		Terminal Block, 3.5mm Pitch, 2x1, TH	7.0x8.2x6.5mm	ED555/2DS	On-Shore Technology		
J2	1	On-Shore Technology		Terminal Block, 3.5mm Pitch, 4x1, TH	14x8.2x6.5mm	ED555/4DS	On-Shore Technology		
JP1, JP3, JP5, JP7	4	Sullins Connector Solutions		Header, 100mil, 2x1, Tin, TH	Header, 2 PIN, 100mil, Tin	PEC02SAAN	Sullins Connector Solutions		
JP2, JP4, JP6	3	Sullins Connector Solutions		Header, 100mil, 3x1, Tin, TH	Header, 3 PIN, 100mil, Tin	PEC03SAAN	Sullins Connector Solutions		
LBL1	1	Brady		Thermal Transfer Printable Labels, 0.650" W x 0.200" H - 10,000 per roll	PCB Label 0.650 x 0.200 inch	THT-14-423-10	Brady		
R1	1	Yageo	27.0k	RES, 27.0 k, 1%, 0.1 W, 0603	0603	RC0603FR-0727KL	Yageo		
R2	1	Yageo	24.0k	RES, 24.0 k, 1%, 0.1 W, 0603	0603	RC0603FR-0724KL	Yageo		
R3	1	Yageo	18.0k	RES, 18.0 k, 1%, 0.1 W, 0603	0603	RC0603FR-0718KL	Yageo		
R4	1	Yageo	11.0k	RES, 11.0 k, 1%, 0.1 W, 0603	0603	RC0603FR-0711KL	Yageo		
R5, R13	2	Yageo	6.20k	RES, 6.20 k, 1%, 0.1 W, 0603	0603	RC0603FR-076K2L	Yageo		
R6	1	Yageo	4.70k	RES, 4.70 k, 1%, 0.1 W, 0603	0603	RC0603FR-074K7L	Yageo		
R7	1	Yageo	3.60k	RES, 3.60 k, 1%, 0.1 W, 0603	0603	RC0603FR-073K6L	Yageo		



**Table 3-1. Bill of Materials (continued)**

Designator	Quantity	Manufacturer	Value	Description	Package Reference	Part Number	Manufacturer	Alternate Part Number <sup>1</sup>	Alternate Manufacturer <sup>1</sup>
R8, R14	2	Yageo	0	RES, 0, 5%, 0.1 W, 0603	0603	RC0603JR-070RL	Yageo		
R9, R18	2	Bourns	50k Ohm	Trimmer Potentiometer, Lead Sealed Type Multiturn PV37 Series, TH	6.71x4.5mm	PV37W503C01B00	Bourns		
R10	1	Yageo	750	RES, 750, 1%, 0.1 W, 0603	0603	RC0603FR-07750RL	Yageo		
R11	1	Yageo	36.0k	RES, 36.0 k, 1%, 0.1 W, 0603	0603	RC0603FR-0736KL	Yageo		
R12	1	Yageo	18.2k	RES, 18.2 k, 1%, 0.1 W, 0603	0603	RC0603FR-0718K2L	Yageo		
R19, R22	2	Bourns	20k	Trimmer, 20k ohm, 0.25W, TH	4.5x8x6.7mm	3266W-1-203LF	Bourns		
R20	1	Vishay-Dale	10.0k	RES, 10.0 k, 1%, 0.1 W, AEC-Q200 Grade 0, 0603	0603	CRCW060310K0FKEA	Vishay-Dale		
R21	1	Vishay-Dale	301	RES, 301, 1%, 0.1 W, AEC-Q200 Grade 0, 0603	0603	CRCW0603301RFKEA	Vishay-Dale		
R24	1	Yageo	1.00k	RES, 1.00 k, 1%, 0.1 W, 0603	0603	RC0603FR-071KL	Yageo		
S1	1	Grayhill		Switch, SPST 8Pos, Rocker, TH	9.65X8X22.4mm	76SB08ST	Grayhill		
S2	1	Grayhill		DIP Switch, SPST 4Pos, Slide, TH	DIP Switch, 4 Pos	78B04ST	Grayhill		
SH-JP1, SH-JP2, SH-JP3, SH-JP4, SH-JP5, SH-JP6, SH-JP7	7	Samtec	1x2	Shunt, 100mil, Gold plated, Black	Shunt	SNT-100-BK-G	Samtec	969102-0000-DA	3M
TP1, TP2, TP3, TP4, TP5, TP6, TP7, TP8, TP9, TP10, TP12, TP13, TP14	13	Harwin		Test Lead clips and hooks, SMT	Test Point, Body 3.25x1.65mm	S1751-46	Harwin		
U1	1	Texas Instruments		BQ25172DSG	WS0N8	BQ25172DSG	Texas Instruments		

**Table 3-1. Bill of Materials (continued)**

Designator	Quantity	Manufacturer	Value	Description	Package Reference	Part Number	Manufacturer	Alternate Part Number <sup>1</sup>	Alternate Manufacturer <sup>1</sup>
U2	1	Texas Instruments		Automotive 150-mA high-voltage ultra-low-IQ low-dropout (LDO) linear regulator, DRV0006A (WSON-6)	DRV0006A	TPS7B8133QDRVRQ1	Texas Instruments		Texas Instruments
C5	0	AVX	100pF	CAP, CERM, 100 pF, 50 V, +/- 1%, COG/NP0, 0402	0402	04025A101FAT2A	AVX		
C6	0	MuRata	1uF	CAP, CERM, 1 µF, 50 V, +/- 20%, X5R, AEC-Q200 Grade 3, 0603	0603	GRT188R61H105ME13D	MuRata		
C7	0	MuRata	1uF	CAP, CERM, 1 µF, 16 V, +/- 10%, X7R, AEC-Q200 Grade 1, 0603	0603	GCM188R71C105KA64D	MuRata		
C8	0	MuRata	4700pF	CAP, CERM, 4700 pF, 50 V, +/- 10%, X5R, 0603	0603	GRM188R61H472KA01D	MuRata		
D1	0	Lite-On	Green	LED, Green, SMD	Body1.6x0.8mm	LTST-C193TGKT-5A	Lite-On		
FID1, FID2, FID3	0	N/A		Fiducial mark. There is nothing to buy or mount.	N/A	N/A	N/A		
JP8, JP9	0	Sullins Connector Solutions		Header, 100mil, 3x1, Tin, TH	Header, 3 PIN, 100mil, Tin	PEC03SAAN	Sullins Connector Solutions		
R15, R17	0	Yageo America	604k	RES, 604 k, 0.1%, 0.125 W, 0805	0805	RT0805BRD07604KL	Yageo America		
R16	0	Bourns		500 kOhms 0.25W, 1/4W PC Pins Through Hole Trimmer Potentiometer Cermet 12 Turn Top Adjustment	PTH_3	PV37W504C01B00	Bourns		
R23	0	Yageo	1.00k	RES, 1.00 k, 1%, 0.1 W, 0603	0603	RC0603FR-071KL	Yageo		
R25	0	Vishay-Dale	10.0k	RES, 10.0 k, 1%, 0.1 W, AEC-Q200 Grade 0, 0603	0603	CRCW060310K0FKEA	Vishay-Dale		
R26	0	Vishay-Dale	2.00k	RES, 2.00 k, 1%, 0.1 W, AEC-Q200 Grade 0, 0603	0603	CRCW06032K00FKEA	Vishay-Dale		
SH-JP8, SH-JP9	0	Samtec	1x2	Shunt, 100mil, Gold plated, Black	Shunt	SNT-100-BK-G	Samtec	969102-0000-DA	3M

1. Unless otherwise noted in the Alternate PartNumber and/or Alternate Manufacturer columns, all parts may be substituted with equivalents

## 4 Revision History

NOTE: Page numbers for previous revisions may differ from page numbers in the current version.

DATE	REVISION	NOTES
July 2022	*	Initial Release

## STANDARD TERMS FOR EVALUATION MODULES

1. *Delivery:* TI delivers TI evaluation boards, kits, or modules, including any accompanying demonstration software, components, and/or documentation which may be provided together or separately (collectively, an "EVM" or "EVMs") to the User ("User") in accordance with the terms set forth herein. User's acceptance of the EVM is expressly subject to the following terms.
  - 1.1 EVMs are intended solely for product or software developers for use in a research and development setting to facilitate feasibility evaluation, experimentation, or scientific analysis of TI semiconductors products. EVMs have no direct function and are not finished products. EVMs shall not be directly or indirectly assembled as a part or subassembly in any finished product. For clarification, any software or software tools provided with the EVM ("Software") shall not be subject to the terms and conditions set forth herein but rather shall be subject to the applicable terms that accompany such Software
  - 1.2 EVMs are not intended for consumer or household use. EVMs may not be sold, sublicensed, leased, rented, loaned, assigned, or otherwise distributed for commercial purposes by Users, in whole or in part, or used in any finished product or production system.
2. *Limited Warranty and Related Remedies/Disclaimers:*
  - 2.1 These terms do not apply to Software. The warranty, if any, for Software is covered in the applicable Software License Agreement.
  - 2.2 TI warrants that the TI EVM will conform to TI's published specifications for ninety (90) days after the date TI delivers such EVM to User. Notwithstanding the foregoing, TI shall not be liable for a nonconforming EVM if (a) the nonconformity was caused by neglect, misuse or mistreatment by an entity other than TI, including improper installation or testing, or for any EVMs that have been altered or modified in any way by an entity other than TI, (b) the nonconformity resulted from User's design, specifications or instructions for such EVMs or improper system design, or (c) User has not paid on time. Testing and other quality control techniques are used to the extent TI deems necessary. TI does not test all parameters of each EVM. User's claims against TI under this Section 2 are void if User fails to notify TI of any apparent defects in the EVMs within ten (10) business days after delivery, or of any hidden defects with ten (10) business days after the defect has been detected.
  - 2.3 TI's sole liability shall be at its option to repair or replace EVMs that fail to conform to the warranty set forth above, or credit User's account for such EVM. TI's liability under this warranty shall be limited to EVMs that are returned during the warranty period to the address designated by TI and that are determined by TI not to conform to such warranty. If TI elects to repair or replace such EVM, TI shall have a reasonable time to repair such EVM or provide replacements. Repaired EVMs shall be warranted for the remainder of the original warranty period. Replaced EVMs shall be warranted for a new full ninety (90) day warranty period.

### **WARNING**

**Evaluation Kits are intended solely for use by technically qualified, professional electronics experts who are familiar with the dangers and application risks associated with handling electrical mechanical components, systems, and subsystems.**

**User shall operate the Evaluation Kit within TI's recommended guidelines and any applicable legal or environmental requirements as well as reasonable and customary safeguards. Failure to set up and/or operate the Evaluation Kit within TI's recommended guidelines may result in personal injury or death or property damage. Proper set up entails following TI's instructions for electrical ratings of interface circuits such as input, output and electrical loads.**

**NOTE:**

**EXPOSURE TO ELECTROSTATIC DISCHARGE (ESD) MAY CAUSE DEGRADATION OR FAILURE OF THE EVALUATION KIT; TI RECOMMENDS STORAGE OF THE EVALUATION KIT IN A PROTECTIVE ESD BAG.**

### 3 Regulatory Notices:

#### 3.1 United States

##### 3.1.1 Notice applicable to EVMs not FCC-Approved:

**FCC NOTICE:** This kit is designed to allow product developers to evaluate electronic components, circuitry, or software associated with the kit to determine whether to incorporate such items in a finished product and software developers to write software applications for use with the end product. This kit is not a finished product and when assembled may not be resold or otherwise marketed unless all required FCC equipment authorizations are first obtained. Operation is subject to the condition that this product not cause harmful interference to licensed radio stations and that this product accept harmful interference. Unless the assembled kit is designed to operate under part 15, part 18 or part 95 of this chapter, the operator of the kit must operate under the authority of an FCC license holder or must secure an experimental authorization under part 5 of this chapter.

##### 3.1.2 For EVMs annotated as FCC – FEDERAL COMMUNICATIONS COMMISSION Part 15 Compliant:

#### **CAUTION**

This device complies with part 15 of the FCC Rules. Operation is subject to the following two conditions: (1) This device may not cause harmful interference, and (2) this device must accept any interference received, including interference that may cause undesired operation.

Changes or modifications not expressly approved by the party responsible for compliance could void the user's authority to operate the equipment.

#### **FCC Interference Statement for Class A EVM devices**

*NOTE: This equipment has been tested and found to comply with the limits for a Class A digital device, pursuant to part 15 of the FCC Rules. These limits are designed to provide reasonable protection against harmful interference when the equipment is operated in a commercial environment. This equipment generates, uses, and can radiate radio frequency energy and, if not installed and used in accordance with the instruction manual, may cause harmful interference to radio communications. Operation of this equipment in a residential area is likely to cause harmful interference in which case the user will be required to correct the interference at his own expense.*

#### **FCC Interference Statement for Class B EVM devices**

*NOTE: This equipment has been tested and found to comply with the limits for a Class B digital device, pursuant to part 15 of the FCC Rules. These limits are designed to provide reasonable protection against harmful interference in a residential installation. This equipment generates, uses and can radiate radio frequency energy and, if not installed and used in accordance with the instructions, may cause harmful interference to radio communications. However, there is no guarantee that interference will not occur in a particular installation. If this equipment does cause harmful interference to radio or television reception, which can be determined by turning the equipment off and on, the user is encouraged to try to correct the interference by one or more of the following measures:*

- Reorient or relocate the receiving antenna.
- Increase the separation between the equipment and receiver.
- Connect the equipment into an outlet on a circuit different from that to which the receiver is connected.
- Consult the dealer or an experienced radio/TV technician for help.

#### 3.2 Canada

##### 3.2.1 For EVMs issued with an Industry Canada Certificate of Conformance to RSS-210 or RSS-247

#### **Concerning EVMs Including Radio Transmitters:**

This device complies with Industry Canada license-exempt RSSs. Operation is subject to the following two conditions:

(1) this device may not cause interference, and (2) this device must accept any interference, including interference that may cause undesired operation of the device.

#### **Concernant les EVMs avec appareils radio:**

Le présent appareil est conforme aux CNR d'Industrie Canada applicables aux appareils radio exempts de licence. L'exploitation est autorisée aux deux conditions suivantes: (1) l'appareil ne doit pas produire de brouillage, et (2) l'utilisateur de l'appareil doit accepter tout brouillage radioélectrique subi, même si le brouillage est susceptible d'en compromettre le fonctionnement.

#### **Concerning EVMs Including Detachable Antennas:**

Under Industry Canada regulations, this radio transmitter may only operate using an antenna of a type and maximum (or lesser) gain approved for the transmitter by Industry Canada. To reduce potential radio interference to other users, the antenna type and its gain should be so chosen that the equivalent isotropically radiated power (e.i.r.p.) is not more than that necessary for successful communication. This radio transmitter has been approved by Industry Canada to operate with the antenna types listed in the user guide with the maximum permissible gain and required antenna impedance for each antenna type indicated. Antenna types not included in this list, having a gain greater than the maximum gain indicated for that type, are strictly prohibited for use with this device.

### Concernant les EVMs avec antennes détachables

Conformément à la réglementation d'Industrie Canada, le présent émetteur radio peut fonctionner avec une antenne d'un type et d'un gain maximal (ou inférieur) approuvé pour l'émetteur par Industrie Canada. Dans le but de réduire les risques de brouillage radioélectrique à l'intention des autres utilisateurs, il faut choisir le type d'antenne et son gain de sorte que la puissance isotrope rayonnée équivalente (p.i.r.e.) ne dépasse pas l'intensité nécessaire à l'établissement d'une communication satisfaisante. Le présent émetteur radio a été approuvé par Industrie Canada pour fonctionner avec les types d'antenne énumérés dans le manuel d'usage et ayant un gain admissible maximal et l'impédance requise pour chaque type d'antenne. Les types d'antenne non inclus dans cette liste, ou dont le gain est supérieur au gain maximal indiqué, sont strictement interdits pour l'exploitation de l'émetteur.

#### 3.3 Japan

3.3.1 *Notice for EVMs delivered in Japan:* Please see [http://www.tij.co.jp/lstds/ti\\_ja/general/eStore/notice\\_01.page](http://www.tij.co.jp/lstds/ti_ja/general/eStore/notice_01.page) 日本国内に輸入される評価用キット、ボードについては、次のところをご覧ください。  
[http://www.tij.co.jp/lstds/ti\\_ja/general/eStore/notice\\_01.page](http://www.tij.co.jp/lstds/ti_ja/general/eStore/notice_01.page)

3.3.2 *Notice for Users of EVMs Considered "Radio Frequency Products" in Japan:* EVMs entering Japan may not be certified by TI as conforming to Technical Regulations of Radio Law of Japan.

If User uses EVMs in Japan, not certified to Technical Regulations of Radio Law of Japan, User is required to follow the instructions set forth by Radio Law of Japan, which includes, but is not limited to, the instructions below with respect to EVMs (which for the avoidance of doubt are stated strictly for convenience and should be verified by User):

1. Use EVMs in a shielded room or any other test facility as defined in the notification #173 issued by Ministry of Internal Affairs and Communications on March 28, 2006, based on Sub-section 1.1 of Article 6 of the Ministry's Rule for Enforcement of Radio Law of Japan,
2. Use EVMs only after User obtains the license of Test Radio Station as provided in Radio Law of Japan with respect to EVMs, or
3. Use of EVMs only after User obtains the Technical Regulations Conformity Certification as provided in Radio Law of Japan with respect to EVMs. Also, do not transfer EVMs, unless User gives the same notice above to the transferee. Please note that if User does not follow the instructions above, User will be subject to penalties of Radio Law of Japan.

【無線電波を送信する製品の開発キットをお使いになる際の注意事項】 開発キットの中には技術基準適合証明を受けていないものがあります。技術適合証明を受けていないものご使用に際しては、電波法遵守のため、以下のいずれかの措置を取っていただく必要がありますのでご注意ください。

1. 電波法施行規則第6条第1項第1号に基づく平成18年3月28日総務省告示第173号で定められた電波暗室等の試験設備でご使用いただく。
2. 実験局の免許を取得後ご使用いただく。
3. 技術基準適合証明を取得後ご使用いただく。

なお、本製品は、上記の「ご使用にあたっての注意」を譲渡先、移転先に通知しない限り、譲渡、移転できないものとします。

上記を遵守頂けない場合は、電波法の罰則が適用される可能性があることをご留意ください。日本テキサス・インスツルメンツ株式会社  
東京都新宿区西新宿 6 丁目 2 4 番 1 号  
西新宿三井ビル

3.3.3 *Notice for EVMs for Power Line Communication:* Please see [http://www.tij.co.jp/lstds/ti\\_ja/general/eStore/notice\\_02.page](http://www.tij.co.jp/lstds/ti_ja/general/eStore/notice_02.page) 電力線搬送波通信についての開発キットをお使いになる際の注意事項については、次のところをご覧ください。  
[http://www.tij.co.jp/lstds/ti\\_ja/general/eStore/notice\\_02.page](http://www.tij.co.jp/lstds/ti_ja/general/eStore/notice_02.page)

#### 3.4 European Union

3.4.1 *For EVMs subject to EU Directive 2014/30/EU (Electromagnetic Compatibility Directive):*

This is a class A product intended for use in environments other than domestic environments that are connected to a low-voltage power-supply network that supplies buildings used for domestic purposes. In a domestic environment this product may cause radio interference in which case the user may be required to take adequate measures.

- 
- 4 *EVM Use Restrictions and Warnings:*
    - 4.1 EVMS ARE NOT FOR USE IN FUNCTIONAL SAFETY AND/OR SAFETY CRITICAL EVALUATIONS, INCLUDING BUT NOT LIMITED TO EVALUATIONS OF LIFE SUPPORT APPLICATIONS.
    - 4.2 User must read and apply the user guide and other available documentation provided by TI regarding the EVM prior to handling or using the EVM, including without limitation any warning or restriction notices. The notices contain important safety information related to, for example, temperatures and voltages.
    - 4.3 *Safety-Related Warnings and Restrictions:*
      - 4.3.1 User shall operate the EVM within TI's recommended specifications and environmental considerations stated in the user guide, other available documentation provided by TI, and any other applicable requirements and employ reasonable and customary safeguards. Exceeding the specified performance ratings and specifications (including but not limited to input and output voltage, current, power, and environmental ranges) for the EVM may cause personal injury or death, or property damage. If there are questions concerning performance ratings and specifications, User should contact a TI field representative prior to connecting interface electronics including input power and intended loads. Any loads applied outside of the specified output range may also result in unintended and/or inaccurate operation and/or possible permanent damage to the EVM and/or interface electronics. Please consult the EVM user guide prior to connecting any load to the EVM output. If there is uncertainty as to the load specification, please contact a TI field representative. During normal operation, even with the inputs and outputs kept within the specified allowable ranges, some circuit components may have elevated case temperatures. These components include but are not limited to linear regulators, switching transistors, pass transistors, current sense resistors, and heat sinks, which can be identified using the information in the associated documentation. When working with the EVM, please be aware that the EVM may become very warm.
      - 4.3.2 EVMs are intended solely for use by technically qualified, professional electronics experts who are familiar with the dangers and application risks associated with handling electrical mechanical components, systems, and subsystems. User assumes all responsibility and liability for proper and safe handling and use of the EVM by User or its employees, affiliates, contractors or designees. User assumes all responsibility and liability to ensure that any interfaces (electronic and/or mechanical) between the EVM and any human body are designed with suitable isolation and means to safely limit accessible leakage currents to minimize the risk of electrical shock hazard. User assumes all responsibility and liability for any improper or unsafe handling or use of the EVM by User or its employees, affiliates, contractors or designees.
    - 4.4 User assumes all responsibility and liability to determine whether the EVM is subject to any applicable international, federal, state, or local laws and regulations related to User's handling and use of the EVM and, if applicable, User assumes all responsibility and liability for compliance in all respects with such laws and regulations. User assumes all responsibility and liability for proper disposal and recycling of the EVM consistent with all applicable international, federal, state, and local requirements.
  5. *Accuracy of Information:* To the extent TI provides information on the availability and function of EVMs, TI attempts to be as accurate as possible. However, TI does not warrant the accuracy of EVM descriptions, EVM availability or other information on its websites as accurate, complete, reliable, current, or error-free.
  6. *Disclaimers:*
    - 6.1 EXCEPT AS SET FORTH ABOVE, EVMS AND ANY MATERIALS PROVIDED WITH THE EVM (INCLUDING, BUT NOT LIMITED TO, REFERENCE DESIGNS AND THE DESIGN OF THE EVM ITSELF) ARE PROVIDED "AS IS" AND "WITH ALL FAULTS." TI DISCLAIMS ALL OTHER WARRANTIES, EXPRESS OR IMPLIED, REGARDING SUCH ITEMS, INCLUDING BUT NOT LIMITED TO ANY EPIDEMIC FAILURE WARRANTY OR IMPLIED WARRANTIES OF MERCHANTABILITY OR FITNESS FOR A PARTICULAR PURPOSE OR NON-INFRINGEMENT OF ANY THIRD PARTY PATENTS, COPYRIGHTS, TRADE SECRETS OR OTHER INTELLECTUAL PROPERTY RIGHTS.
    - 6.2 EXCEPT FOR THE LIMITED RIGHT TO USE THE EVM SET FORTH HEREIN, NOTHING IN THESE TERMS SHALL BE CONSTRUED AS GRANTING OR CONFERRING ANY RIGHTS BY LICENSE, PATENT, OR ANY OTHER INDUSTRIAL OR INTELLECTUAL PROPERTY RIGHT OF TI, ITS SUPPLIERS/LICENSORS OR ANY OTHER THIRD PARTY, TO USE THE EVM IN ANY FINISHED END-USER OR READY-TO-USE FINAL PRODUCT, OR FOR ANY INVENTION, DISCOVERY OR IMPROVEMENT, REGARDLESS OF WHEN MADE, CONCEIVED OR ACQUIRED.
  7. *USER'S INDEMNITY OBLIGATIONS AND REPRESENTATIONS.* USER WILL DEFEND, INDEMNIFY AND HOLD TI, ITS LICENSORS AND THEIR REPRESENTATIVES HARMLESS FROM AND AGAINST ANY AND ALL CLAIMS, DAMAGES, LOSSES, EXPENSES, COSTS AND LIABILITIES (COLLECTIVELY, "CLAIMS") ARISING OUT OF OR IN CONNECTION WITH ANY HANDLING OR USE OF THE EVM THAT IS NOT IN ACCORDANCE WITH THESE TERMS. THIS OBLIGATION SHALL APPLY WHETHER CLAIMS ARISE UNDER STATUTE, REGULATION, OR THE LAW OF TORT, CONTRACT OR ANY OTHER LEGAL THEORY, AND EVEN IF THE EVM FAILS TO PERFORM AS DESCRIBED OR EXPECTED.
-



8. *Limitations on Damages and Liability:*

8.1 *General Limitations.* IN NO EVENT SHALL TI BE LIABLE FOR ANY SPECIAL, COLLATERAL, INDIRECT, PUNITIVE, INCIDENTAL, CONSEQUENTIAL, OR EXEMPLARY DAMAGES IN CONNECTION WITH OR ARISING OUT OF THESE TERMS OR THE USE OF THE EVMS , REGARDLESS OF WHETHER TI HAS BEEN ADVISED OF THE POSSIBILITY OF SUCH DAMAGES. EXCLUDED DAMAGES INCLUDE, BUT ARE NOT LIMITED TO, COST OF REMOVAL OR REINSTALLATION, ANCILLARY COSTS TO THE PROCUREMENT OF SUBSTITUTE GOODS OR SERVICES, RETESTING, OUTSIDE COMPUTER TIME, LABOR COSTS, LOSS OF GOODWILL, LOSS OF PROFITS, LOSS OF SAVINGS, LOSS OF USE, LOSS OF DATA, OR BUSINESS INTERRUPTION. NO CLAIM, SUIT OR ACTION SHALL BE BROUGHT AGAINST TI MORE THAN TWELVE (12) MONTHS AFTER THE EVENT THAT GAVE RISE TO THE CAUSE OF ACTION HAS OCCURRED.

8.2 *Specific Limitations.* IN NO EVENT SHALL TI'S AGGREGATE LIABILITY FROM ANY USE OF AN EVM PROVIDED HEREUNDER, INCLUDING FROM ANY WARRANTY, INDEMNITY OR OTHER OBLIGATION ARISING OUT OF OR IN CONNECTION WITH THESE TERMS, , EXCEED THE TOTAL AMOUNT PAID TO TI BY USER FOR THE PARTICULAR EVM(S) AT ISSUE DURING THE PRIOR TWELVE (12) MONTHS WITH RESPECT TO WHICH LOSSES OR DAMAGES ARE CLAIMED. THE EXISTENCE OF MORE THAN ONE CLAIM SHALL NOT ENLARGE OR EXTEND THIS LIMIT.

9. *Return Policy.* Except as otherwise provided, TI does not offer any refunds, returns, or exchanges. Furthermore, no return of EVM(s) will be accepted if the package has been opened and no return of the EVM(s) will be accepted if they are damaged or otherwise not in a resalable condition. If User feels it has been incorrectly charged for the EVM(s) it ordered or that delivery violates the applicable order, User should contact TI. All refunds will be made in full within thirty (30) working days from the return of the components(s), excluding any postage or packaging costs.

10. *Governing Law:* These terms and conditions shall be governed by and interpreted in accordance with the laws of the State of Texas, without reference to conflict-of-laws principles. User agrees that non-exclusive jurisdiction for any dispute arising out of or relating to these terms and conditions lies within courts located in the State of Texas and consents to venue in Dallas County, Texas. Notwithstanding the foregoing, any judgment may be enforced in any United States or foreign court, and TI may seek injunctive relief in any United States or foreign court.

Mailing Address: Texas Instruments, Post Office Box 655303, Dallas, Texas 75265  
Copyright © 2019, Texas Instruments Incorporated

## IMPORTANT NOTICE AND DISCLAIMER

TI PROVIDES TECHNICAL AND RELIABILITY DATA (INCLUDING DATA SHEETS), DESIGN RESOURCES (INCLUDING REFERENCE DESIGNS), APPLICATION OR OTHER DESIGN ADVICE, WEB TOOLS, SAFETY INFORMATION, AND OTHER RESOURCES "AS IS" AND WITH ALL FAULTS, AND DISCLAIMS ALL WARRANTIES, EXPRESS AND IMPLIED, INCLUDING WITHOUT LIMITATION ANY IMPLIED WARRANTIES OF MERCHANTABILITY, FITNESS FOR A PARTICULAR PURPOSE OR NON-INFRINGEMENT OF THIRD PARTY INTELLECTUAL PROPERTY RIGHTS.

These resources are intended for skilled developers designing with TI products. You are solely responsible for (1) selecting the appropriate TI products for your application, (2) designing, validating and testing your application, and (3) ensuring your application meets applicable standards, and any other safety, security, regulatory or other requirements.

These resources are subject to change without notice. TI grants you permission to use these resources only for development of an application that uses the TI products described in the resource. Other reproduction and display of these resources is prohibited. No license is granted to any other TI intellectual property right or to any third party intellectual property right. TI disclaims responsibility for, and you will fully indemnify TI and its representatives against, any claims, damages, costs, losses, and liabilities arising out of your use of these resources.

TI's products are provided subject to [TI's Terms of Sale](#) or other applicable terms available either on [ti.com](http://ti.com) or provided in conjunction with such TI products. TI's provision of these resources does not expand or otherwise alter TI's applicable warranties or warranty disclaimers for TI products.

TI objects to and rejects any additional or different terms you may have proposed.

Mailing Address: Texas Instruments, Post Office Box 655303, Dallas, Texas 75265  
Copyright © 2022, Texas Instruments Incorporated