

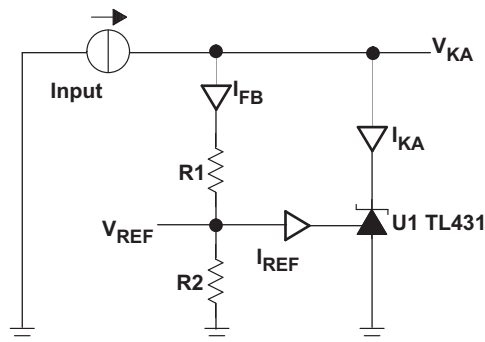
Setting the Shunt Voltage on an Adjustable Shunt Regulator

Ronald Michallick

Standard Linear and Logic

ABSTRACT

The ability to set the shunt voltage, V_{KA} , to any voltage between V_{REF} and the maximum rated voltage for the shunt regulator provides a lot of flexibility. It takes two resistors to set the shunt voltage. In an ideal common anode shunt regulator, the shunt voltage would be $V_{REF} \times (R_1/R_2 + 1)$. A few shunt regulators have a common cathode where the feedback voltage is relative to the cathode and are not covered in this document. The TL430, TL431, TL432, TLV431, TLVH431, TLVH432, and TL1431 are covered.



However real world shunt regulators have limited gain, non-zero reference input current, and suffer from cathode voltage modulation. This application report derives comprehensive formulas that accurately represent the relationship between the shunt voltage and feedback resistors. It also shows a practical example.

Shunt Regulator Limitations

Real world shunt regulators have three parameters that should be taken into account.

1. Dynamic impedance, Z_{KA}
2. Reference pin current, I_{REF}
3. Ratio of change in reference voltage to the change in cathode voltage, $\Delta V_{REF}/\Delta V_{KA}$.

The first parameter will cause a V_{REF} shift for all V_{KA} values and the last two only apply when V_{KA} is set greater than V_{REF} .

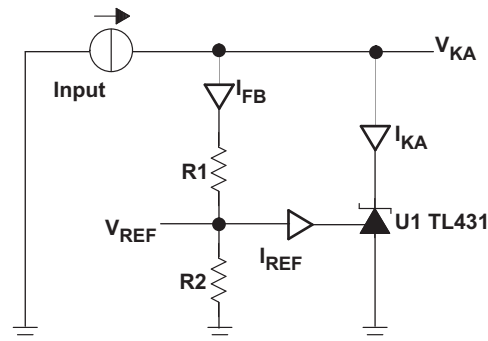
Z_{KA} offsets the V_{REF} in direct proportion to the cathode current. The data sheet generally specifies V_{REF} at a specific current. At any other current Z_{KA} impacts V_{REF} .

I_{REF} causes an inequality in the feedback resistor currents which changes the effective DC feedback ratio. This factor is often included in data sheet formulas.

$\Delta V_{REF}/\Delta V_{KA}$ specifies how much the V_{REF} voltage changes when the cathode voltage changes. This is a frequently ignored factor although the effect can be significant.

General Design Example

To calculate the values for resistors R_1 and R_2 , it is required that the feedback current, I_{FB} , cathode current, I_{KA} , and desired shunt voltage, V_{KA} , are known.



electrical characteristics over recommended operating conditions, $T_A = 25^\circ\text{C}$ (unless otherwise noted)

PARAMETER	TEST CONDITIONS	TL431C, TL432C			UNIT
		MIN	TYP	MAX	
V_{ref} Reference voltage	$V_{KA} = V_{REF}$, $I_{KA} = 10\text{ mA}$	2440	2495	2550	mV
$V_{I(dev)}$ Deviation of reference voltage over full temperature range	$V_{KA} = V_{REF}$, $I_{KA} = 10\text{ mA}$, $T_A = 0^\circ\text{C}$ to 70°C	SOT23-3 and TL432 devices		6 16	mV
		All other devices		4 25	
$\frac{\Delta V_{ref}}{\Delta V_{KA}}$ Ratio of change in reference voltage to the change in cathode voltage	$I_{KA} = 10\text{ mA}$	$\Delta V_{KA} = 10\text{ V} - V_{REF}$	-1.4	-2.7	mV/V
		$\Delta V_{KA} = 36\text{ V} - 10\text{ V}$	-1	-2	
I_{ref} Reference input current	$I_{KA} = 10\text{ mA}$, $R_1 = 10\text{ k}\Omega$, $R_2 = \infty$			2 4	μA
$I_{I(dev)}$ Deviation of reference input current over full temperature range	$I_{KA} = 10\text{ mA}$, $R_1 = 10\text{ k}\Omega$, $R_2 = \infty$, $T_A = 0^\circ\text{C}$ to 70°C			0.4 1.2	μA
I_{min} Minimum cathode current for regulation	$V_{KA} = V_{REF}$			0.4 1	mA
I_{off} Off-state cathode current	$V_{KA} = 36\text{ V}$, $V_{REF} = 0$			0.1 1	μA
$ Z_{KA} $ Dynamic impedance	$V_{KA} = V_{ref}$, $f \leq 1\text{ kHz}$, $I_{KA} = 1\text{ mA}$ to 100 mA			0.2 0.5	Ω

The table specifies when $V_{KA} = V_{REF}$ and I_{KA} is 10 mA the nominal V_{REF} , (labeled V_{NOM}) is 2.495 V. The reference voltage varies with cathode voltage at two different rates; it is -1.4 mV/V from V_{REF} to 10 V then -1 mV/V above 10 V. The reference pin current is $2\text{ }\mu\text{A}$.

The Z_{KA} parameter offsets V_{REF} by $(I_{KA} - I_{NOM}) \times Z_{KA}$

In addition, the $\Delta V_{REF}/\Delta V_{KA}$ parameter offsets V_{REF} by either $-1.4\text{ mV} \times (V_{KA} - 2.5\text{ V})$ if $V_{KA} \leq 10\text{ V}$ or $-10.5\text{ mV} - 1\text{ mV/V} \times (V_{KA} - 10\text{ V})$ if $V_{KA} > 10\text{ V}$. The " -10.5 mV " constant is the V_{REF} offset as V_{KA} changes from V_{NOM} to 10 V, $(10\text{ V} - 2.495\text{ V}) \times -1.4\text{ mV/V}$.

Therefore:

If $V_{KA} \leq 10\text{ V}$ then;

$$V_{REF} = V_{NOM} + (I_{KA} - I_{NOM}) \times Z_{KA} + (V_{KA} - V_{NOM}) \times -1.4\text{ mV/V}$$

If $V_{KA} > 10$ then;

$$V_{REF} = V_{NOM} + (I_{KA} - I_{NOM}) \times Z_{KA} + (V_{KA} - 10\text{ V}) \times -1\text{ mV/V} - 10.5\text{ mV}$$

Now that V_{REF} is solved, R_1 and R_2 can be determined.

$$R_1 = (V_{KA} - V_{REF}) / I_{FB}$$

$$R_2 = V_{REF} / (I_{FB} - I_{REF}); \text{ Note that } R_2 \text{ has less current than } R_1$$

Practical Example

Design goal; TL431 cathode set to 12 V, cathode current 2 mA, and feedback current 0.2 mA.

Using the formula derived in the general example for $V_{KA} > 10$ V.

$$V_{REF} = V_{NOM} + (I_{KA} - I_{NOM}) \times Z_{KA} + (V_{KA} - 10 \text{ V}) \times -1 \text{ mV} - 10.5 \text{ mV}$$

$$V_{REF} = 2.495 \text{ V} + (2 \text{ mA} - 10 \text{ mA}) \times 0.2 \Omega + (12 \text{ V} - 10 \text{ V}) \times -1 \text{ mV} - 10.5 \text{ mV}$$

$$V_{REF} = 2.4809 \text{ V}$$

$$R_1 = (V_{KA} - V_{REF}) / I_{FB}$$

$$R_1 = (12 \text{ V} - 2.4809 \text{ V}) / 0.2 \text{ mA}$$

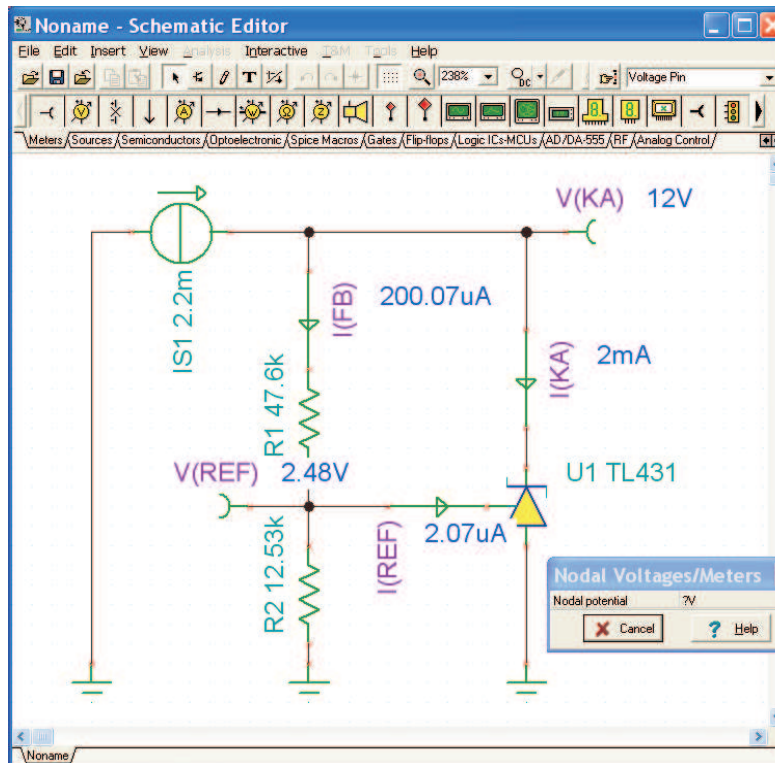
$$R_1 = 47.596 \text{ k}\Omega$$

$$R_2 = V_{REF} / (I_{FB} - I_{REF})$$

$$R_2 = 2.4809 \text{ V} / (0.2 \text{ mA} - 2 \mu\text{A})$$

$$R_2 = 12.530 \text{ k}\Omega$$

Simulation using **TI-TINA** agrees with the solution.



The closest standard 1% resistor values are $R_1 = 47.5 \text{ k}\Omega$ and $R_2 = 12.4 \text{ k}\Omega$. This results in a shunt voltage of 12.08 V which is a 0.66% error. Other resistor combinations may provide a shunt voltage that is centered better. A formula to test for R_1 values that may be closer to standard values using standard R_2 resistors is $R_1 = (V_{KA} - V_{REF}) / (V_{REF} / R_2 + I_{REF})$. Moving R_2 up and down the resistor table five values revealed the best resistor pair was $R_1 = 43.2 \text{ k}\Omega$ and $R_2 = 11.3 \text{ k}\Omega$. This produced a more centered shunt voltage of 12.05 V and I_{FB} marginally increased to $(V_{KA} - V_{REF}) / R_1 = 0.22 \text{ mA}$.

IMPORTANT NOTICE

Texas Instruments Incorporated and its subsidiaries (TI) reserve the right to make corrections, modifications, enhancements, improvements, and other changes to its products and services at any time and to discontinue any product or service without notice. Customers should obtain the latest relevant information before placing orders and should verify that such information is current and complete. All products are sold subject to TI's terms and conditions of sale supplied at the time of order acknowledgment.

TI warrants performance of its hardware products to the specifications applicable at the time of sale in accordance with TI's standard warranty. Testing and other quality control techniques are used to the extent TI deems necessary to support this warranty. Except where mandated by government requirements, testing of all parameters of each product is not necessarily performed.

TI assumes no liability for applications assistance or customer product design. Customers are responsible for their products and applications using TI components. To minimize the risks associated with customer products and applications, customers should provide adequate design and operating safeguards.

TI does not warrant or represent that any license, either express or implied, is granted under any TI patent right, copyright, mask work right, or other TI intellectual property right relating to any combination, machine, or process in which TI products or services are used. Information published by TI regarding third-party products or services does not constitute a license from TI to use such products or services or a warranty or endorsement thereof. Use of such information may require a license from a third party under the patents or other intellectual property of the third party, or a license from TI under the patents or other intellectual property of TI.

Reproduction of TI information in TI data books or data sheets is permissible only if reproduction is without alteration and is accompanied by all associated warranties, conditions, limitations, and notices. Reproduction of this information with alteration is an unfair and deceptive business practice. TI is not responsible or liable for such altered documentation. Information of third parties may be subject to additional restrictions.

Resale of TI products or services with statements different from or beyond the parameters stated by TI for that product or service voids all express and any implied warranties for the associated TI product or service and is an unfair and deceptive business practice. TI is not responsible or liable for any such statements.

TI products are not authorized for use in safety-critical applications (such as life support) where a failure of the TI product would reasonably be expected to cause severe personal injury or death, unless officers of the parties have executed an agreement specifically governing such use. Buyers represent that they have all necessary expertise in the safety and regulatory ramifications of their applications, and acknowledge and agree that they are solely responsible for all legal, regulatory and safety-related requirements concerning their products and any use of TI products in such safety-critical applications, notwithstanding any applications-related information or support that may be provided by TI. Further, Buyers must fully indemnify TI and its representatives against any damages arising out of the use of TI products in such safety-critical applications.

TI products are neither designed nor intended for use in military/aerospace applications or environments unless the TI products are specifically designated by TI as military-grade or "enhanced plastic." Only products designated by TI as military-grade meet military specifications. Buyers acknowledge and agree that any such use of TI products which TI has not designated as military-grade is solely at the Buyer's risk, and that they are solely responsible for compliance with all legal and regulatory requirements in connection with such use.

TI products are neither designed nor intended for use in automotive applications or environments unless the specific TI products are designated by TI as compliant with ISO/TS 16949 requirements. Buyers acknowledge and agree that, if they use any non-designated products in automotive applications, TI will not be responsible for any failure to meet such requirements.

Following are URLs where you can obtain information on other Texas Instruments products and application solutions:

Products

Audio	www.ti.com/audio
Amplifiers	amplifier.ti.com
Data Converters	dataconverter.ti.com
DLP® Products	www.dlp.com
DSP	dsp.ti.com
Clocks and Timers	www.ti.com/clocks
Interface	interface.ti.com
Logic	logic.ti.com
Power Mgmt	power.ti.com
Microcontrollers	microcontroller.ti.com
RFID	www.ti-rfid.com
OMAP Mobile Processors	www.ti.com/omap
Wireless Connectivity	www.ti.com/wirelessconnectivity

Applications

Communications and Telecom	www.ti.com/communications
Computers and Peripherals	www.ti.com/computers
Consumer Electronics	www.ti.com/consumer-apps
Energy and Lighting	www.ti.com/energy
Industrial	www.ti.com/industrial
Medical	www.ti.com/medical
Security	www.ti.com/security
Space, Avionics and Defense	www.ti.com/space-avionics-defense
Transportation and Automotive	www.ti.com/automotive
Video and Imaging	www.ti.com/video

TI E2E Community Home Page

e2e.ti.com

Mailing Address: Texas Instruments, Post Office Box 655303, Dallas, Texas 75265
Copyright © 2011, Texas Instruments Incorporated